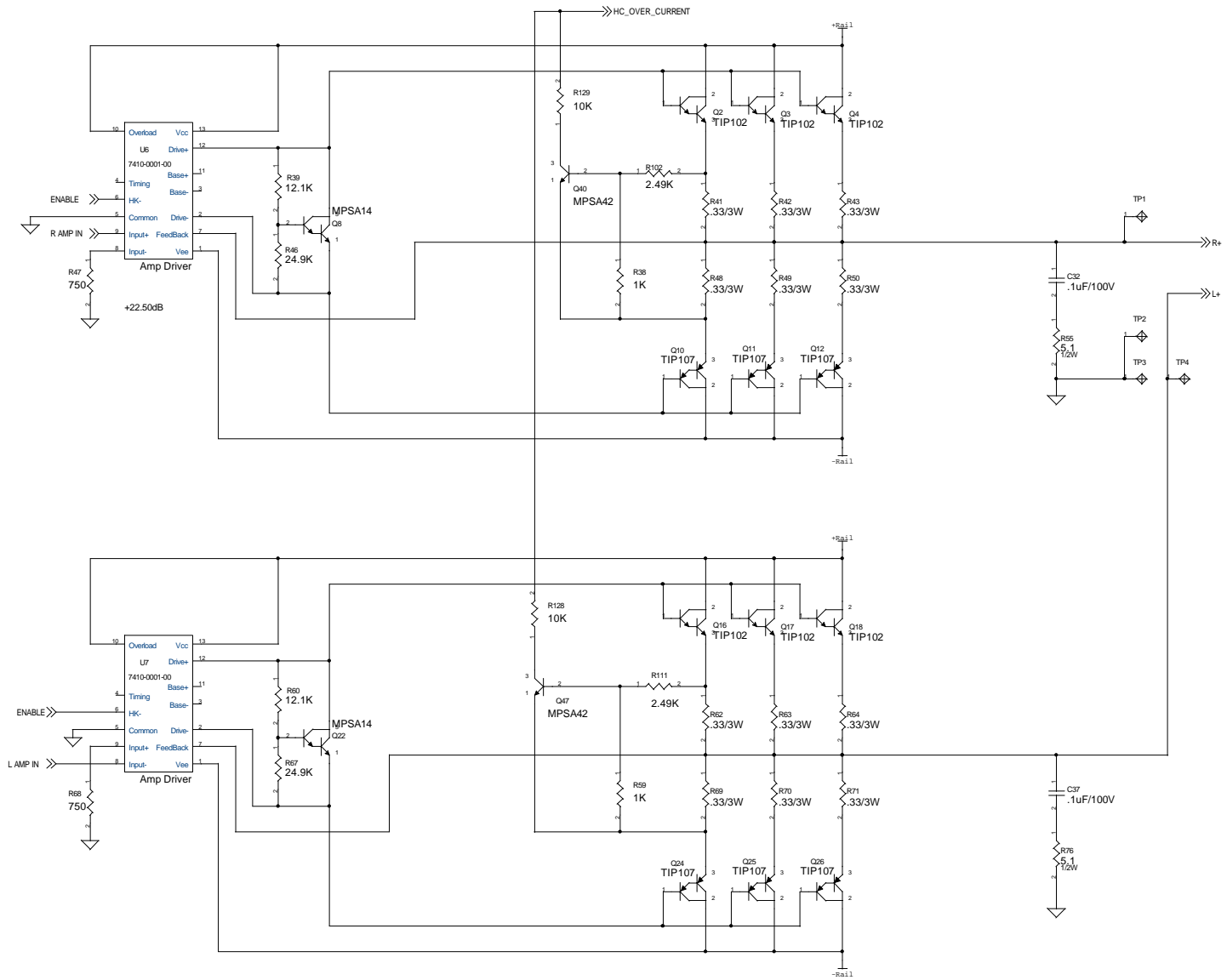


Potentiometer Tapers:
 A - Linear
 B - Log; reverse inserted on PCB for CW Anti-Log
 C - Anti-Log; reverse inserted on PCB for CW Log

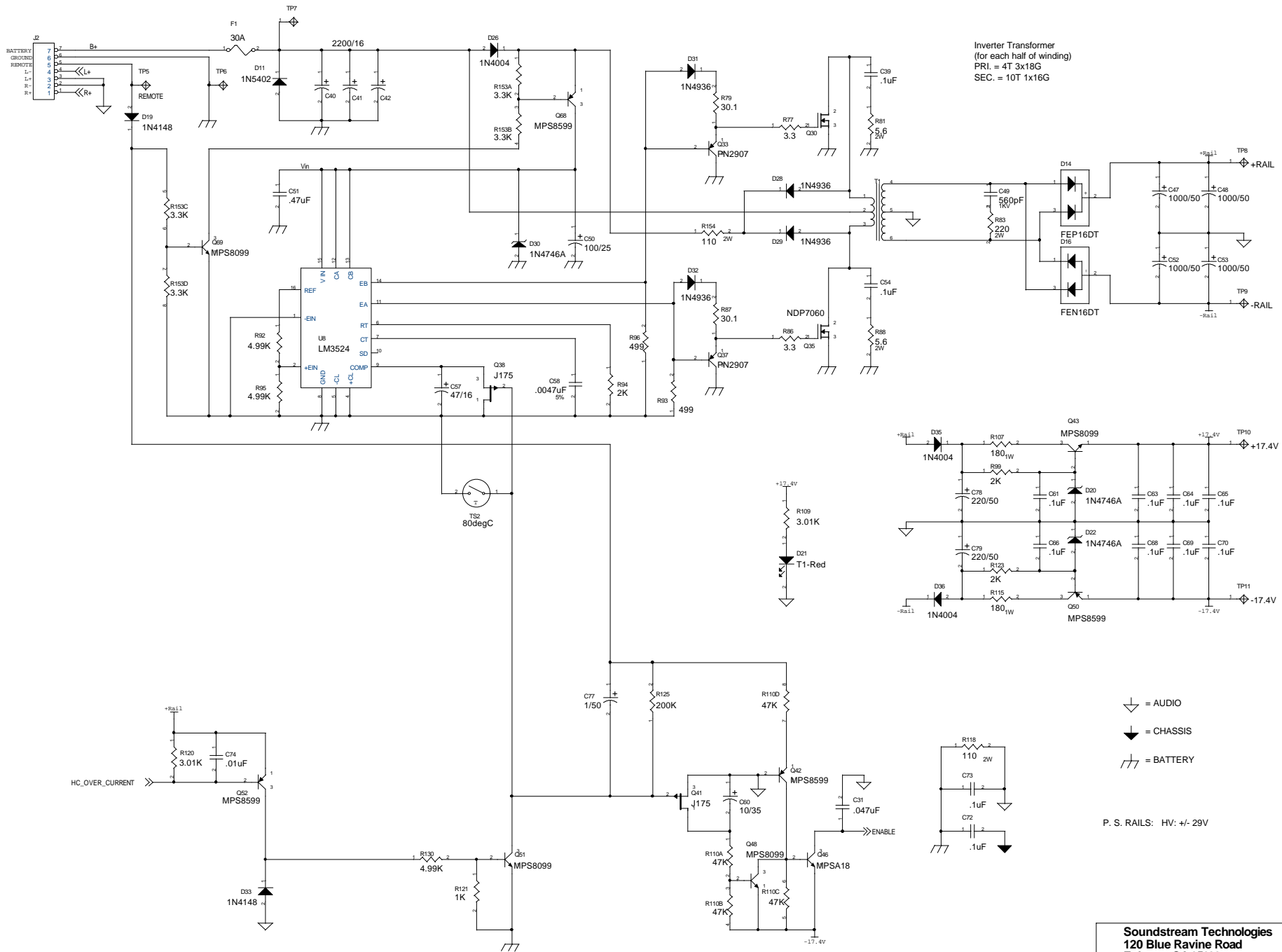
*(Asterisk) indicates user adjustable SIP resistor.

Soundstream Technologies 120 Blue Ravine Road Folsom, CA 95630		
Title: Rubicon202 Preamp		
Size: Custom	Document Number: 7400-0013-02	Rev: Raw
Date: Monday, August 31, 1998	Sheet: 1	of 3



U U

Soundstream Technologies 120 Blue Ravine Road Folsom, CA 95630			
Title	Rubicon202 Power Amps		
Size	Document Number	Rev	
Custom	7400-0013-02		Raw
Date	Thursday, June 18, 1998	Sheet	2 of 3



Inverter Transformer
 (for each half of winding)
 PRI. = 4T 3x18G
 SEC. = 10T 1x16G

- ⬇ = AUDIO
- ⬇ = CHASSIS
- ⚡ = BATTERY

P. S. RAILS: HV: +/- 29V

Soundstream Technologies
 120 Blue Ravine Road
 Folsom, CA 95630

Title		Rubicon202 Power Supply	
Size	Document Number	Rev	
Custom	7400-0013-02		
Date	Tuesday, June 09, 1998	Sheet	3 of 3