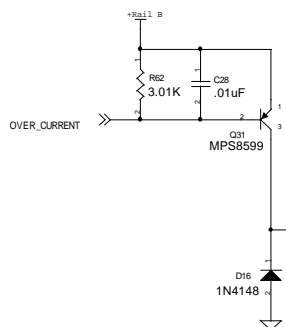
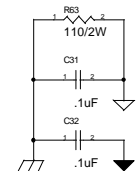


Inverter Transformer  
 (for each half of winding)  
 PRI. = 5T 4x18G  
 SEC.1 = 8T 2x18G  
 +SEC.2 = 4T 1x20G

P. S. RAILS: Rail A +/- 21V  
 Rail B +/- 27V  
 @ 12.6V in

⏚ = AUDIO SIGNAL  
 ⏚ = CHASSIS  
 ⏚ = BATTERY



<b>Soundstream Technologies</b> 120 Blue Ravine Road Folsom, CA 95630			
Title: Rubicon255 Power Supply			
Size: Custom	Document Number: 7400-0019-01	Rev:	
Date: Thursday, October 08, 1998	Sheet: 2	of 3	

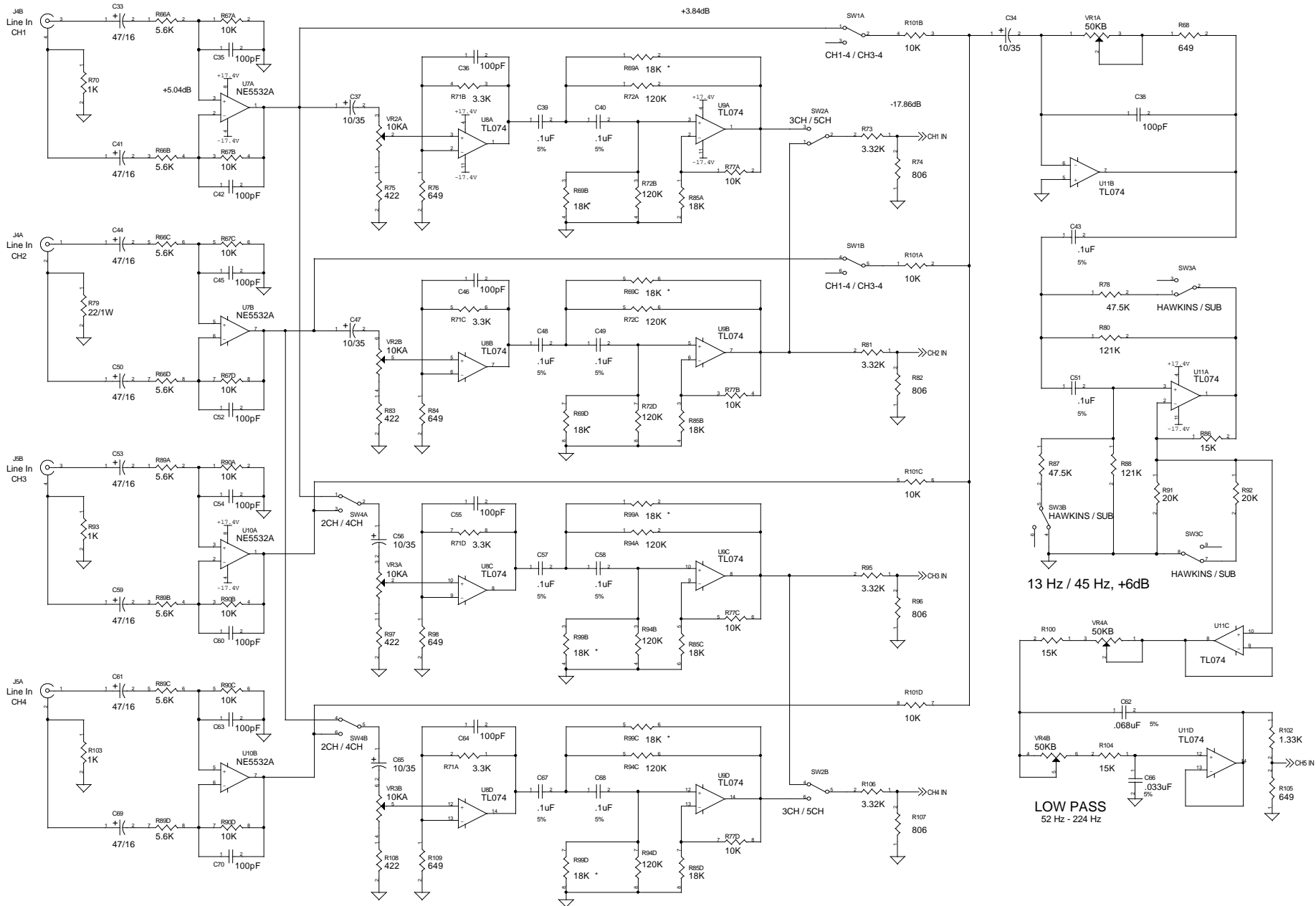
-10.46dB to +13.99dB

Sen: 0.2V - 5V PRE-AMP

-8.62dB to +15.69dB

13.3 Hz / 102 Hz

+3.84dB



Potentiometer Tapers:  
 A - Log  
 B - Linear  
 C - Reverse-Log

\* (Asterisk) indicates user adjustable SIP resistor.

**Soundstream Technologies**  
 120 Blue Ravine Road  
 Folsom, CA 95630

Title: Rubicon255 Preamp

Size: Custom      Document Number: 7400-0019-01      Rev:      Date: Tuesday, August 25, 1998      Sheet: 3 of 3