

Inverter Transformer
 (for each half of winding)
 PRI. = 5T 5x18G
 SEC.1 = 8T 3x18G
 +SEC.2 = 6T 1x20G

- ⏚ = AUDIO SIGNAL
- ⏚ = CHASSIS
- ⏚ = BATTERY

P. S. RAILS: Rail A +/- 21V
 Rail B +/- 33V
 @12.6V in

Soundstream Technologies
 120 Blue Ravine Road
 Folsom, CA 95630

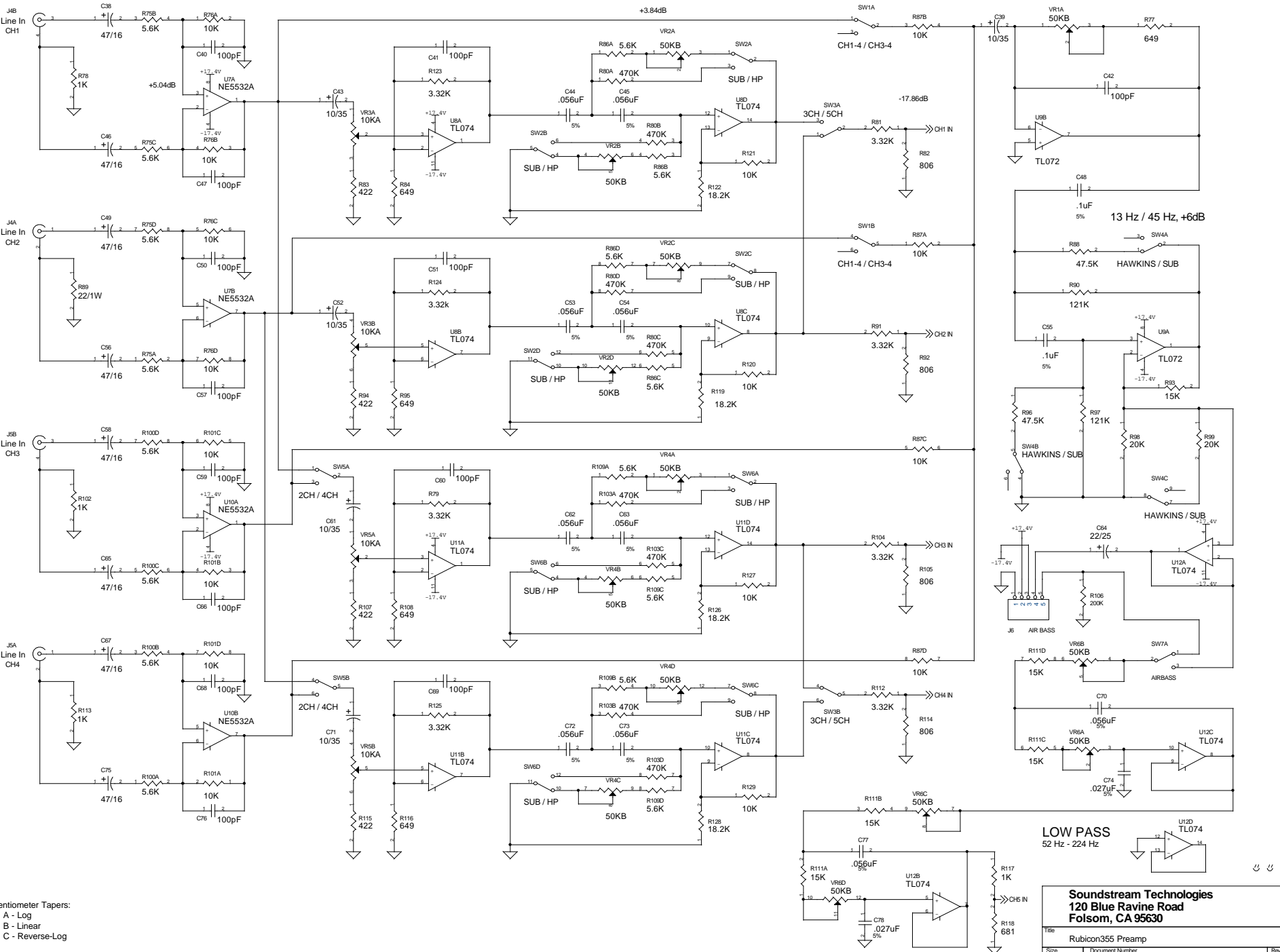
Title		Rubicon355 Power Supply	
Size	Document Number	Rev	
Custom	7400-0020-00		
Date:	Thursday, October 08, 1998	Sheet	2 of 3

-10.46dB to +13.99dB

Sen: 0.3V - 5V PRE-AMP

-8.62dB to +15.69dB

6.0 Hz / 51.1 Hz - 507.5 Hz



Potentiometer Tapers:
 A - Log
 B - Linear
 C - Reverse-Log

LOW PASS
 52 Hz - 224 Hz

Soundstream Technologies
 120 Blue Ravine Road
 Folsom, CA 95630

Tit#	Rubicon355 Preamp		Rev
Size	Document Number		
Custom	7400-0020-00		
Date	Friday, October 09, 1998	Sheet	3 of 3