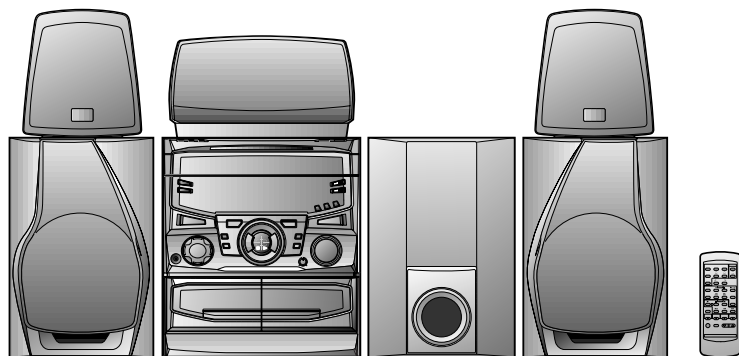


# SHARP SERVICE MANUAL

No. S4918CDPC4900



## CD-PC4900

COMPACT  
**disc**  
DIGITAL AUDIO

**DOLBY SURROUND**  
P R O • L O G I C

CD-PC4900 mini component system consisting of CD-PC4900 (main unit), CP-C4900 (front speakers), CP-SW4900 (sub woofer), GBOXS0022AWM1 (center speaker) and GBOXS0023AWM1 (rear speaker).

- In the interests of user-safety the set should be restored to its original condition and only parts identical to those specified be used.

The main body section of this model differs from CD-PC672 in prints and color tone.

Since the exterior and shape of the front speakers and subwoofer have been changed, the exploded views and parts list are added.

For the circuit section and disassembling method, refer to the "CD-PC672 (No.S4915CDPC672/)" Service Manual already issued.

## SPECIFICATIONS

### ● Front speaker section

**Type:** 3-way type [5-1/4" (13 cm) woofer,  
2" (5 cm) tweeter and super tweeter]  
**Maximum input power:** 80 W  
**Rated input power:** 40 W  
**Impedance:** 6 ohms  
**Dimensions:** Width; 7-7/8" (200 mm)  
Height; 11-13/16" (300 mm)  
Depth; 10" (254 mm)  
**Weight:** 6.3 lbs. (2.9 kg)/each

### ● Center speaker section

**Type:** 4" (10 cm) full-range speaker  
**Maximum input power:** 40 W  
**Rated input power:** 20 W  
**Impedance:** 4 ohms  
**Dimensions:** Width; 10-1/4" (260 mm)  
Height; 5-1/2" (140 mm)  
Depth; 6-1/8" (155 mm)  
**Weight:** 2.0 lbs. (0.9 kg)

### ● Rear speaker section

**Type:** 4" (10 cm) full-range speaker  
**Maximum input power:** 20 W  
**Rated input power:** 10 W  
**Impedance:** 8 ohms  
**Dimensions:** Width; 6-3/4" (170 mm)  
Height; 3-1/2" (88 mm)  
Depth; 6-3/4" (170 mm)  
**Weight:** 1.0 lbs. (0.5 kg)/each

### ● Sub woofer section

**Type:** 5-1/4" (13 cm) full-range speaker  
**Maximum input power:** 80 W  
**Rated input power:** 40 W  
**Impedance:** 6 ohms  
**Dimensions:** Width; 7-7/8" (200 mm)  
Height; 11-13/16" (300 mm)  
Depth; 12-3/8" (310 mm)  
**Weight:** 7.5 lbs. (3.4 kg)

**DIFFERENCE BETWEEN CD-PC672 AND CD-PC4900**

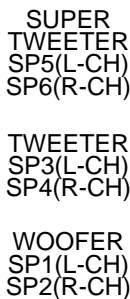
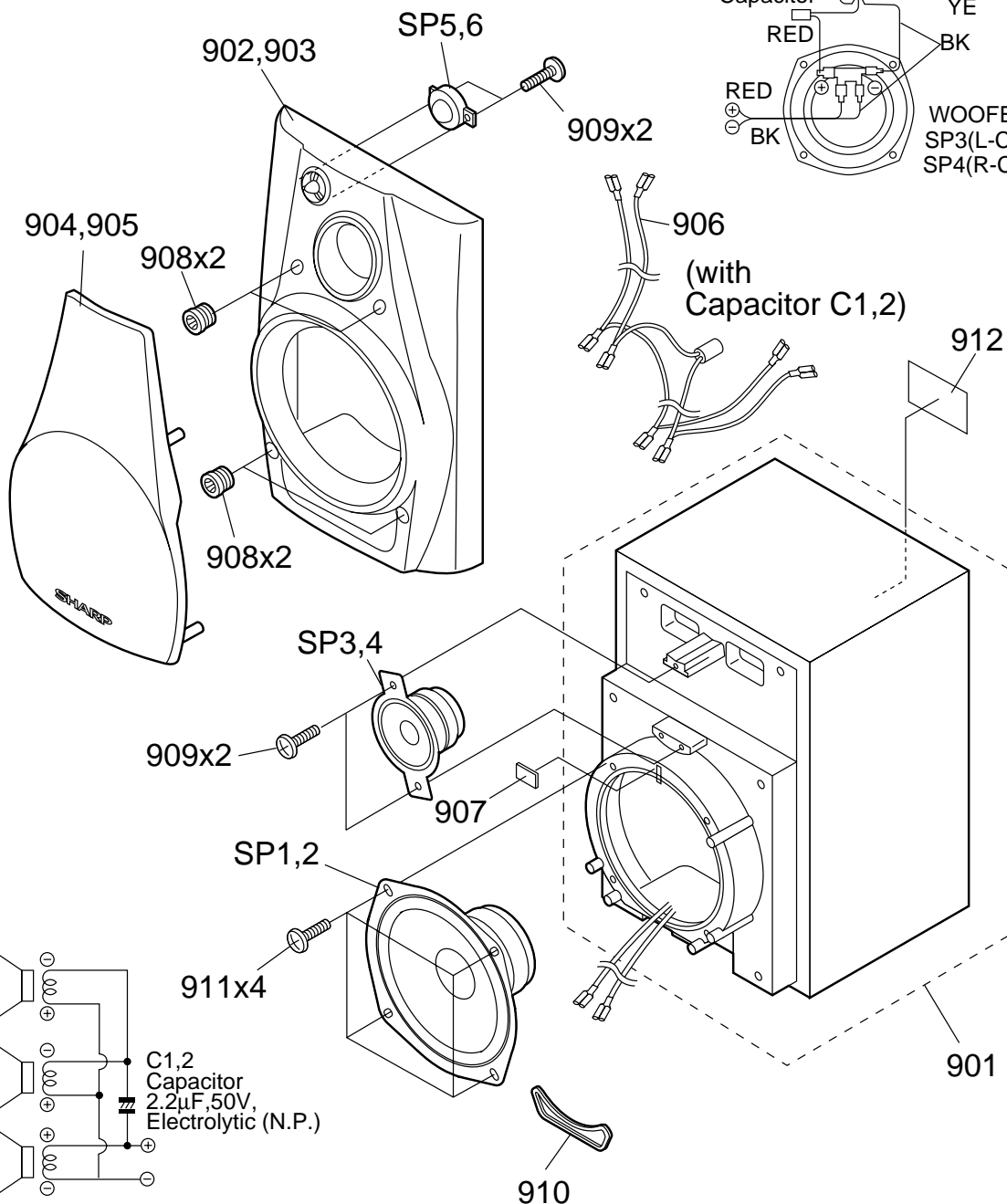
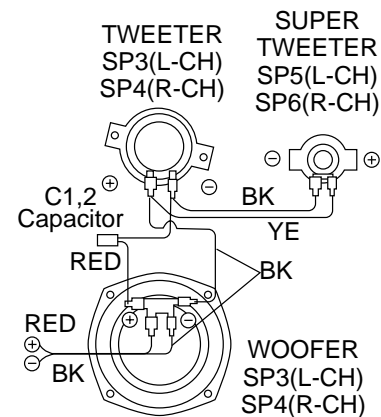
REF. NO	PART NO. ★	★	PART NO. ★	DESCRIPTION	CODE	
	CD-PC672		CD-PC4900			
<b>CABINET PARTS</b>						
202	92LCAB3051AS1	J	92LCAB3052AS1	J	Front Panel Ass'y	BC
202-1	-----		-----		Front Panel (Not Replacement Item)	---
202-2	JKNBZ0557AWSA	J	Same as CD-PC672		Button,Disc No.	AE
202-3	JKNBZ0558AWSA	J	Same as CD-PC672		Button,Open/Close/Disc Skip	AE
202-4	JKNBZ0559AWSA	J	Same as CD-PC672		Button,Power	AE
202-5	JKNBZ0560AWSA	J	Same as CD-PC672		Button,X-BASS/Demo	AE
202-6	JKNBZ0563AWSA	J	JKNBZ0563AWSB	J	Button,FF/REW/Tuning	AG
202-7	JKNBZ0565AWSA	J	Same as CD-PC672		Button,Timer/Sleep/Clock	AD
202-8	JKNBZ0570AWSA	J	Same as CD-PC672		Button,Dimmer/Equalizer	AD
202-9	JKNBZ0601AWSA	J	Same as CD-PC672		Button,Dolby Pro Logic	AE
202-10	KNOB3051AASY1	J	Same as CD-PC672		Button, Function	AK
202-11	HDECQ0412AWSA	J	Same as CD-PC672		Operation Ring A	AC
202-12	HDECQ0413AWSA	J	HDECQ0413AWSB	J	Operation Ring B	AB
202-13	HDECQ0414AWSA	J	Same as CD-PC672		Cap,Operation Center	AD
202-14	HDECQ0415AWSA	J	Same as CD-PC672		Cover,LED	AD
202-15	HDECQ0417AWSA	J	Same as CD-PC672		Panel,Center Cap	AE
202-16	HDECQ0418AWSA	J	HDECQ0418AWSB	J	Panel,Decoration	AG
202-17	HDECQ0419AWSA	J	Same as CD-PC672		Decoration,Play Button	AF
202-18	HDECQ0420AWSA	J	Same as CD-PC672		Decoration,Stop Button	AE
202-19	HDECQ0455AWSA	J	Same as CD-PC672		Panel,AMP	AH
202-20	HDECQ0457AWSA	J	Same as CD-PC672		Panel,Play Decoration	AC
202-21	HDECQ0458AWSA	J	Same as CD-PC672		Panel,Stop Decoration	AC
202-22	MLIFP0006AWZZ	J	Same as CD-PC672		Damper,Cassette Holder	AE
202-23	PSHEP0031AWZZ	J	Same as CD-PC672		Sheet,Reflector	AC
203	92LMEC3051CTS1	J	92LMEC3052CTS1	J	Cassette,Holder Ass'y,Tape 1	AL
203-1	-----		Same as CD-PC672		Cassette Holder,Tape 1 (Not Replacement Item)	---
203-2	GCōVA1221AWSB	J	GCōVA1221AWSC	J	Cassette Cover,Tape 1	
203-3	HDECQ0408AWSA	J	Same as CD-PC672		Panel,Cassette,Tape 1	AD
204	92LMEC3051CTS2	J	92LMEC3052CTS2	J	Cassette,Holder Ass'y,Tape 2	AL
204-1	-----		Same as CD-PC672		Cassette Holder,Tape 2 (Not Replacement Item)	---
204-2	GCōVA1222AWSB	J	GCōVA1222AWSC	J	Cassette Cover,Tape 2	
204-3	HDECQ0409AWSA	J	Same as CD-PC672		Panel,Cassette Tape 2	AD
<b>ACCESSORIES PARTS</b>						
	TiNSE0237AWZZ	J	TiNSE0246AWZZ	J	Operation Manual [For U.S.A.]	AE
	TiNSZ0398AWZZ	J	TiNSZ0414AWZZ	J	Operation Manual [For Central America]	
	TiNSZ0404AWZZ	J	TiNSZ0470AWZZ	J	Quick Guide [For U.S.A. Only]	
<b>SPEAKER BOX PARTS REAR SPEAKER</b>						
905	92L33-01-0940	J	92L33-01-0960	J	Label,Parts Code	

**★ MARK: SPARE PARTS-DELIVERY SECTION**

Parts marked with "△" are important for maintaining the safety of the set. Be sure to replace these parts with specified ones for maintaining the safety and performance of the set.

CP-C4900

NO.	PARTS CODE	★ PRICE RANK	DESCRIPTION
<b>SPEAKER BOX PARTS FRONT SPEAKER</b>			
901	92L10002290010	J BD	Cabinet Ass'y
902	92L200L0290010	J AU	Front Panel, Left
903	92L200R0290010	J AU	Front Panel, Right
904	92L201L0290010	J AR	Net Frame Ass'y, Left
905	92L201R0290010	J AR	Net Frame Ass'y, Right
906	92L3141PC46210	J AL	Speaker Cord Ass'y (With Capacitor)
907	92L44210310100	J AD	Cushion Wire
908	92LPCAT1XL12	J AC	Catching Holder
909	411-B930100P1	J	Screw, $\phi 3 \times 10$ mm
910	92L44010213300	J AH	Port Cushion
911	411-B840140B1	J	Screw, $\phi 4 \times 14$ mm
912	92L6000C490000	J	Label, Specifications
SP1,2	VSP0013WK396A	J	Woofer
SP3,4	VSP0050TB256A	J	Tweeter
SP5,6	92L303R0300110	J AN	Super Tweeter



C1,2  
Capacitor  
2.2 $\mu$ F, 50V,  
Electrolytic (N.P.)

1 2 3 4 5 6

Figure 3 SPEAKER EXPLODED VIEW (1/2)

CP-SW4900

NO.	PARTS CODE	★ PRICE RANK	DESCRIPTION
<b>SPEAKER BOX PARTS SUB WOOFER</b>			
901	92L121-0171	J	Net Frame Ass'y
902	92L132-0001	J	Duct Panel Ass'y
903	92L316-0070	J	Duct
904	92L394-0050	J	Port Cushion
905	92L051-0074	J	Cabinet Ass'y
906	92L372-0049	J	Screw,ø4×12mm
907	92L372-0026	J	Screw,ø3×10mm
908	92L351-0432	J	Label,Specifications
909	92L291-0071	J	Speaker Cord Ass'y
SP1	VSP0013WB416A	J	Woofer

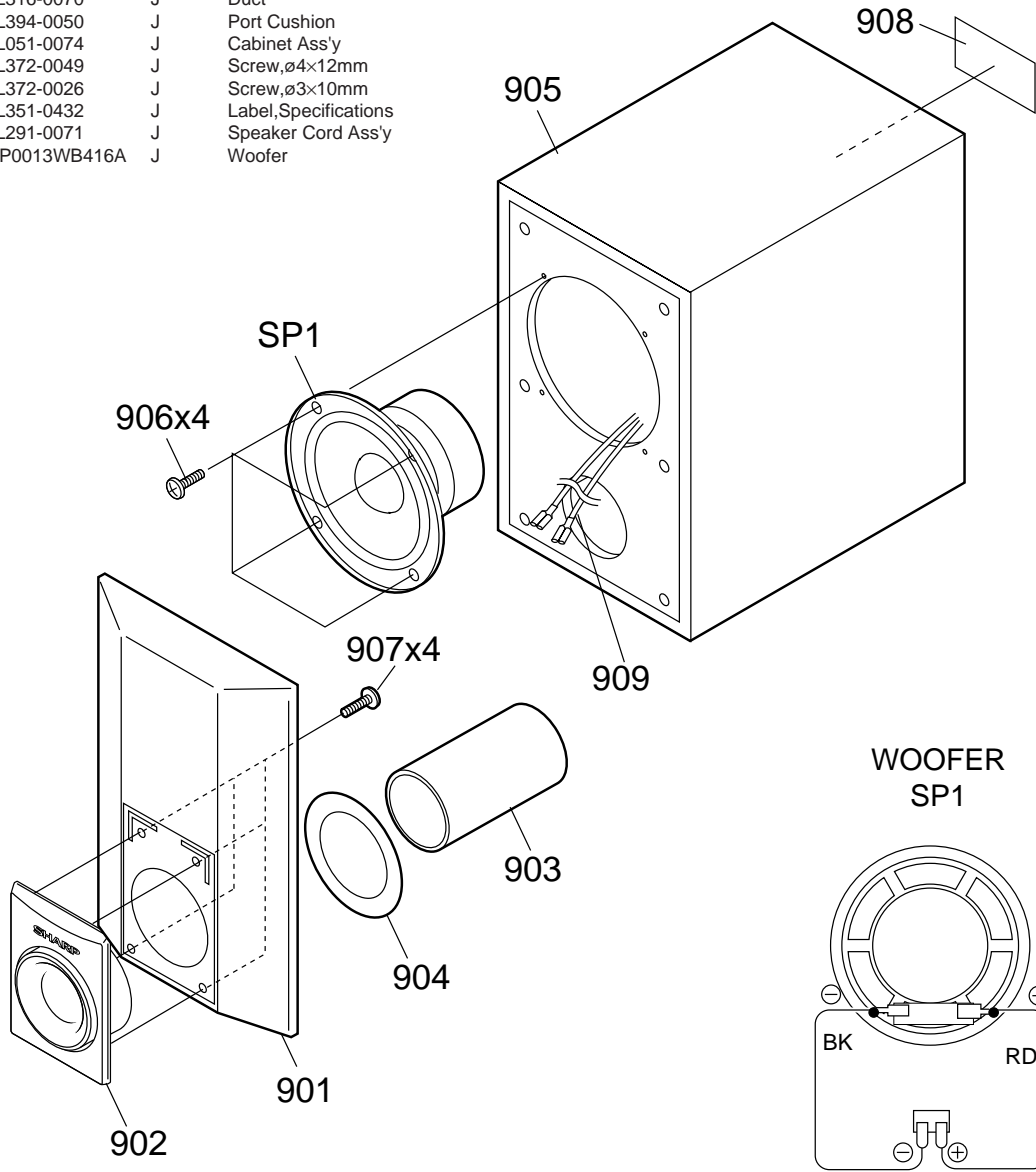


Figure 4 SPEAKER EXPLODED VIEW (2/2)

# SHARP

COPYRIGHT © 1999 BY SHARP COPORATION

ALL RIGHTS RESERVED.

No part of this publication may be reproduced, stored in a retrieval system, or transmitted in any form or by any means, electronic, mechanical, photocopying, recording, or otherwise, without prior written permission of the publisher.

SHARP CORPORATION  
 Communication Systems Group  
 Quality & Reliability Control Center  
 Higashihiroshima, Hiroshima 739-0192, Japan  
 Printed in Japan

A9905-2329NS•HA•M

SC • LAG