

CFD-112L

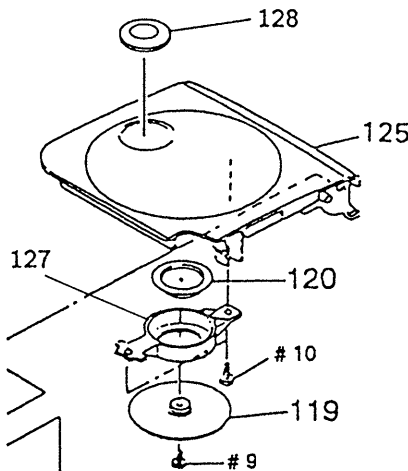
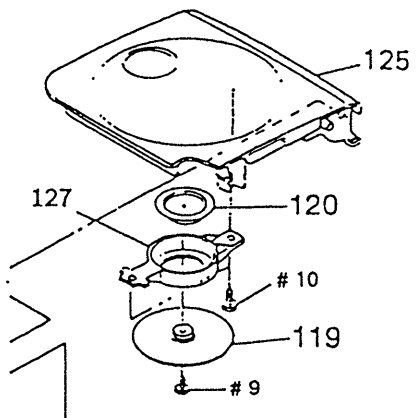
SERVICE MANUAL

AEP Model
UK Model

Discard CFD-112L Service Manual (9-959-391-11) previously issued.
This Service Manual contains it.

The mechanical and electrical specifications of CFD-112L are almost same as CFD-110L model. This manual contains only the points which differ from CFD-110L model. On repairing please refer to CFD-110L service manuals (9-959-090-□□) with this.

• SECTION 7 EXPLODED VIEWS

Page	Ref. No.	CFD-110L	CFD-112L	
		<u>Part No.</u> <u>Description</u>	<u>Part No.</u> <u>Description</u>	
40	2	A-3263-586-A HOLDER (L) ASSY, CASSETTE	A-3300-364-A HOLDER (L) ASSY, CASSETTE	
	3	A-3263-587-A HOLDER (R) ASSY, CASSETTE	A-3300-365-A HOLDER (R) ASSY, CASSETTE	
	4	3-388-194-31 PANEL (AEP, UK, German) 3-388-194-61 PANEL (East European)	3-388-194-31 PANEL (UK) 3-911-388-21 PANEL (AEP, German) 3-911-388-31 PANEL (East European)	
41	△T901	1-450-517-11 TRANSFORMER, POWER (AEP, German, East European) 1-450-516-11 TRANSFORMER, POWER (UK)	1-450-517-11 TRANSFORMER, POWER	
42		(3) CD ASSEMBLY SECTION 	(3) CD ASSEMBLY SECTION 	
		125	3-388-212-11 LID, CD	X-3368-898-1 LID ASSY (L), CD
		128	3-386-985-01 PLATE (CD), TRANSPARENT	

The components identified by mark **△** or dotted line with mark **△** are critical for safety. Replace only with part number specified.

CD RADIO CASSETTE-CORDER
SONY®

● SECTION 8 ELECTRICAL PARTS LIST

Page	Ref. No.	CFD-110L	CFD-112L
52	△T901	<u>Part No.</u> <u>Description</u> POWER BOARD ***** 1-450-516-11 TRANSFORMER, POWER (UK) 1-450-517-11 TRANSFORMER, POWER (AEP, German, East European)	<u>Part No.</u> <u>Description</u> POWER BOARD ***** 1-450-517-11 TRANSFORMER, POWER
54		ACCESSORIES & PACKING MATERIALS ***** 3-756-864-11 MANUAL, INSTRUCTION (ENGLISH, FRENCH, GERMAN, SPANISH) (AEP, German, UK) 3-756-864-41 MANUAL, INSTRUCTION (DUTCH, SWEDISH, PORTUGUESE) (AEP) 3-756-864-61 MANUAL, INSTRUCTION (POLISH, ENGLISH, GERMAN, RUSSIAN) (East European) 3-756-864-81 MANUAL, INSTRUCTION (CZECH, HUNGARIAN) (East European) 3-756-864-91 MANUAL, INSTRUCTION (DANISH, FINNISH) (AEP)	ACCESSORIES & PACKING MATERIALS ***** 3-758-307-11 MANUAL, INSTRUCTION (ENGLISH, FRENCH, GERMAN, SPANISH) (AEP, UK) 3-758-307-41 MANUAL, INSTRUCTION (DUTCH, SWEDISH, PORTUGUESE) (AEP) 3-758-307-51 MANUAL, INSTRUCTION (ENGLISH, SPANISH, ITALIAN, DUTCH) (German) 3-758-307-61 MANUAL, INSTRUCTION (POLISH, GERMAN, ENGLISH, RUSSIAN) (East European) 3-758-307-71 MANUAL, INSTRUCTION (CZECH, HUNGARIAN) (East European) 3-758-307-81 MANUAL, INSTRUCTION (GERMAN, FRENCH, SWEDISH, PORTUGUESE) (German)
	*	3-906-189-01 INDIVIDUAL CARTON	3-911-332-01 INDIVIDUAL CARTON

NOTE:

- Items marked “*” are not stocked since they are seldom required for routine service. Some delay should be anticipated when ordering these items.

The components identified by mark △ or dotted line with mark △ are critical for safety. Replace only with part number specified.