

HCD-DV2D

SERVICE MANUAL

Ver. 1.0 2005.03

US Model
Canadian Model
AEP Model
UK Model
E Model
Australian Model



HCD-DV2D is the Amplifier, DVD player, Tape Deck and Tuner section in CMT-DV2D.

This system incorporates Dolby¹⁾ Digital and DTS²⁾ Digital Surround System.

¹⁾ Manufactured under license from Dolby Laboratories. "Dolby", "Pro Logic", and the double-D symbol are trademarks of Dolby Laboratories.

²⁾ Manufactured under license from Digital Theater Systems, Inc. "DTS" and "DTS 2.0 + Digital Out" are trademarks of Digital Theater Systems, Inc.

DVD Section	Model Name Using Similar Mechanism	HCD-GP8D
	DVD Mechanism Type	KDA898ST
	Traverse Mechanism Name	1ADOMEZ0412
TAPE Section	Model Name Using Similar Mechanism	NEW
	Tape Transport Mechanism Type	CMAL5Z220C

SPECIFICATIONS

Amplifier section

AUDIO POWER SPECIFICATIONS (USA model only)

POWER OUTPUT AND TOTAL HARMONIC DISTORTION:

With 6 ohm loads, both channels driven, from 120 – 10,000 Hz: rated 50 watts per channel minimum RMS power, with no more than 10% total harmonic distortion from 250 milliwatts to rated output.

North American model:

Front speaker

Continuous RMS power output (reference):

50 + 50 watts (6 ohms at 1 kHz, 10% THD)

Total harmonic distortion less than 0.07% (6 ohms at 1 kHz, 25 W)

European and Russian models:

DIN power output (rated): 40 + 40 watts (6 ohms at 1 kHz, DIN)

Continuous RMS power output (reference):

50 + 50 watts (6 ohms at 1 kHz, 10% THD)

Music power output (reference):

100 + 100 watts (6 ohms at 1 kHz, 10% THD)

Korean model:

The following measured at AC 220 V, 60 Hz

DIN power output (rated) 35 + 35 watts
(6 ohms at 1 kHz, DIN)

Continuous RMS power output (reference)

45 + 45 watts
(6 ohms at 1 kHz, 10% THD)

Other models:

The following measured at AC 120 V, 240 V, 50/60 Hz

DIN power output (rated) 40 + 40 watts
(6 ohms at 1 kHz, DIN)

Continuous RMS power output (reference)

50 + 50 watts
(6 ohms at 1 kHz, 10% THD)

Inputs

TV IN (phono jacks): voltage 1 V, impedance 47 kilohms

Outputs

VIDEO OUT (phono jack) (except for European and Russian models):

max. output level 1 Vp-p, unbalanced, Sync negative, load impedance 75 ohms

LINE-TV (European and Russian models only):

max. output level 1 Vp-p, unbalanced, Sync negative, load impedance 75 ohms

DIGITAL OUT (OPTICAL) (Square optical connector jack, rear panel)

Wavelength 660 nm

PHONES (stereo mini jack):

accepts headphones of 8 ohms or more

SPEAKER:

accepts impedance of 6 ohms

Disc player section

System

Compact disc and digital audio and video system

Laser

Semiconductor laser (DVD: $\lambda=650$ nm, CD: $\lambda=780$ nm)

Emission duration:

continuous

Frequency response

DVD (PCM 48 kHz): 2 Hz – 22 kHz (± 1 dB)
CD: 2 Hz – 20 kHz (± 1 dB)

Video color system format

Pan-American models: NTSC
European and Russian models: PAL
Other models: NTSC, PAL

— Continued on next page —

DVD DECK RECEIVER

9-879-536-01
2005C1678-1
© 2005.03

Sony Corporation
Audio Group
Published by Sony Engineering Corporation

SONY®

HCD-DV2D

Tape deck section

Recording system	4-track 2-channel stereo
Frequency response	40 – 13,000 Hz, using Sony TYPE I cassette

Tuner section

FM stereo, FM/AM superheterodyne tuner

FM tuner section

Tuning range 87.5 – 108.0 MHz

(50 kHz step)

Antenna FM lead antenna

Antenna terminals 75 ohms unbalanced

Intermediate frequency 10.7 MHz

AM tuner section

Tuning range

Pan-American models: 530 – 1,710 kHz

(with the tuning interval
set at 10 kHz)

531 – 1,710 kHz

(with the tuning interval
set at 9 kHz)

European and Russian models:

531 – 1,602 kHz

(with the interval set at
9 kHz)

Other models: 530 – 1,710 kHz

(with the interval set at
10 kHz)

531 – 1,602 kHz

(with the interval set at
9 kHz)

Antenna AM loop antenna

Antenna terminals External antenna terminal

Intermediate frequency 450 kHz

General

Power requirements

North American model: 120 V AC, 60 Hz

European and Russian models:

230 V AC, 50/60 Hz

Australian model: 230 – 240 V AC, 50/60 Hz

Korean model: 220 V AC, 60 Hz

Other models: 110 – 120 V, 220 – 240 V

AC, 50/60 Hz

Adjustable with voltage
selector

Power consumption

USA model: 110 watts

Canadian model: 110 watts

European and Russian models:

110 watts

0.3 watts (in Power Saving
mode)

Other models: 120 watts

Dimensions (w/h/d) (excl. speakers)

Approx. 191 × 255 ×

310 mm

Mass (excl. speakers) Approx. 6.5 kg

Design and specifications are subject to change
without notice.

SAFETY CHECK-OUT

After correcting the original service problem, perform the following safety check before releasing the set to the customer:

Check the antenna terminals, metal trim, “metallized” knobs, screws, and all other exposed metal parts for AC leakage.

Check leakage as described below.

LEAKAGE TEST

The AC leakage from any exposed metal part to earth ground and from all exposed metal parts to any exposed metal part having a return to chassis, must not exceed 0.5 mA (500 microamperes.). Leakage current can be measured by any one of three methods.

1. A commercial leakage tester, such as the Simpson 229 or RCA WT-540A. Follow the manufacturers' instructions to use these instruments.
2. A battery-operated AC milliammeter. The Data Precision 245 digital multimeter is suitable for this job.
3. Measuring the voltage drop across a resistor by means of a VOM or battery-operated AC voltmeter. The “limit” indication is 0.75 V, so analog meters must have an accurate low-voltage scale. The Simpson 250 and Sanwa SH-63Trd are examples of a passive VOM that is suitable. Nearly all battery operated digital multimeters that have a 2 V AC range are suitable. (See Fig. A)

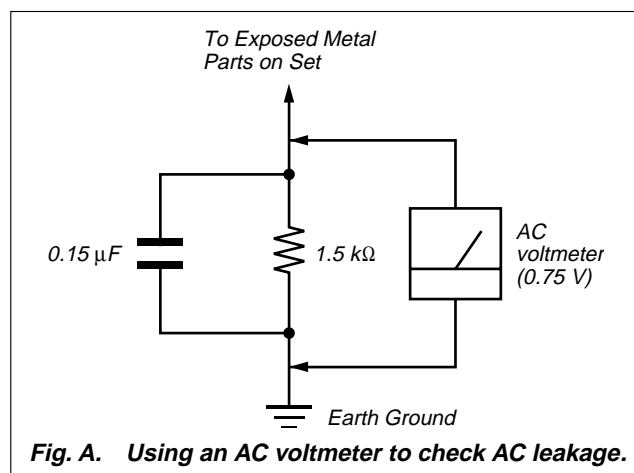


Fig. A. Using an AC voltmeter to check AC leakage.

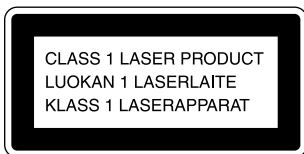
SAFETY-RELATED COMPONENT WARNING!!

COMPONENTS IDENTIFIED BY MARK \triangle OR DOTTED LINE WITH MARK \triangle ON THE SCHEMATIC DIAGRAMS AND IN THE PARTS LIST ARE CRITICAL TO SAFE OPERATION. REPLACE THESE COMPONENTS WITH SONY PARTS WHOSE PART NUMBERS APPEAR AS SHOWN IN THIS MANUAL OR IN SUPPLEMENTS PUBLISHED BY SONY.

ATTENTION AU COMPOSANT AYANT RAPPORT À LA SÉCURITÉ!

LES COMPOSANTS IDENTIFIÉS PAR UNE MARQUE \triangle SUR LES DIAGRAMMES SCHÉMATIQUES ET LA LISTE DES PIÈCES SONT CRITIQUES POUR LA SÉCURITÉ DE FONCTIONNEMENT. NE REMPLACER CES COM- POSANTS QUE PAR DES PIÈCES SONY DONT LES NUMÉROS SONT DONNÉS DANS CE MANUEL OU DANS LES SUPPLÉMENTS PUBLIÉS PAR SONY.

Laser component in this product is capable of emitting radiation exceeding the limit for Class 1.



This appliance is classified as a CLASS 1 LASER product. The CLASS 1 LASER PRODUCT MARKING is located on the rear exterior.

CAUTION

Use of controls or adjustments or performance of procedures other than those specified herein may result in hazardous radiation exposure.

Notes on chip component replacement

- Never reuse a disconnected chip component.
- Notice that the minus side of a tantalum capacitor may be damaged by heat.

Flexible Circuit Board Repairing

- Keep the temperature of the soldering iron around 270 °C during repairing.
- Do not touch the soldering iron on the same conductor of the circuit board (within 3 times).
- Be careful not to apply force on the conductor when soldering or unsoldering.

UNLEADED SOLDER

Boards requiring use of unleaded solder are printed with the lead-free mark (LF) indicating the solder contains no lead.

(Caution: Some printed circuit boards may not come printed with the lead free mark due to their particular size)



LEAD FREE MARK

Unleaded solder has the following characteristics.

- Unleaded solder melts at a temperature about 40 °C higher than ordinary solder.
Ordinary soldering irons can be used but the iron tip has to be applied to the solder joint for a slightly longer time.
Soldering irons using a temperature regulator should be set to about 350 °C.
Caution: The printed pattern (copper foil) may peel away if the heated tip is applied for too long, so be careful!
- Strong viscosity
Unleaded solder is more viscous (sticky, less prone to flow) than ordinary solder so use caution not to let solder bridges occur such as on IC pins, etc.
- Usable with ordinary solder
It is best to use only unleaded solder but unleaded solder may also be added to ordinary solder.
- Abbreviation
E3 : 240 V AC area in E model.
E51 : Chilean and Peruvian model.
SP : Singapore model.

TABLE OF CONTENTS

1. SERVICING NOTES	4
2. GENERAL	5
3. DISASSEMBLY	
3-1. Disassembly Flow	8
3-2. Cover Top, DC Fan	9
3-3. AMP Board, AV Board, Tuner (FM/AM)	9
3-4. MPEG Board	10
3-5. DVD Mech Cover A/B	10
3-6. Panel (DVD)	11
3-7. DVD Loader (KDA898ST)	11
3-8. Front Panel Section	12
3-9. MAIN Board	12
3-10. Cassette Deck Mechanism (CMAL5Z220C)	13
3-11. FRONT Board	13
3-12. Traverse Mech (1ADOMEZ0412)	14
3-13. Lid TC	14
4. TEST MODE	15
5. MECHANICAL ADJUSTMENTS	19
6. ELECTRICAL ADJUSTMENTS	19
7. DIAGRAMS	
7-1. Block Diagrams — MPEG-1 Section —	22
— MPEG-2 Section —	23
— AUDIO Section —	24
— PANEL/POWER Section —	25
7-2. Printed Wiring Board — MAIN Section-1 —	26
7-3. Printed Wiring Board — MAIN Section-2 —	27
7-4. Schematic Diagram — MAIN Section —	28
7-5. Printed Wiring Board — MPEG Section-1 —	29
7-6. Printed Wiring Board — MPEG Section-2 —	30
7-7. Schematic Diagram — MPEG Section —	31
7-8. Printed Wiring Board — FRONT Section —	32
7-9. Schematic Diagram — FRONT Section —	33
7-10. Printed Wiring Board — AV/VIDEO OUT Section — ..	34
7-11. Schematic Diagram — AV/VIDEO OUT Section —	35
7-12. Printed Wiring Board — AMP/PT Section —	36
7-13. Schematic Diagram — AMP Section —	37
7-14. Schematic Diagram — PT Section (E3, E51, SP Model) —	38
7-15. Schematic Diagram — PT Section (Except E3, E51, SP Model) —	39
8. EXPLODED VIEWS	
8-1. Overall Section	54
8-2. Front Panel Section	55
8-3. Chassis Section	56
8-4. DVD Mechanism Deck Section	57
9. ELECTRICAL PARTS LIST	58

SECTION 1 SERVICING NOTES

NOTES ON HANDLING THE OPTICAL PICK-UP BLOCK OR BASE UNIT

The laser diode in the optical pick-up block may suffer electrostatic break-down because of the potential difference generated by the charged electrostatic load, etc. on clothing and the human body. During repair, pay attention to electrostatic break-down and also use the procedure in the printed matter which is included in the repair parts.

The flexible board is easily damaged and should be handled with care.

NOTES ON LASER DIODE EMISSION CHECK

The laser beam on this model is concentrated so as to be focused on the disc reflective surface by the objective lens in the optical pick-up block. Therefore, when checking the laser diode emission, observe from more than 30 cm away from the objective lens.

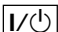




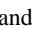
LASER DIODE AND FOCUS SEARCH OPERATION CHECK

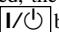
Carry out the "S curve check" in "CD section adjustment" and check that the S curve waveforms is output three times.

DISC TRAY LOCK

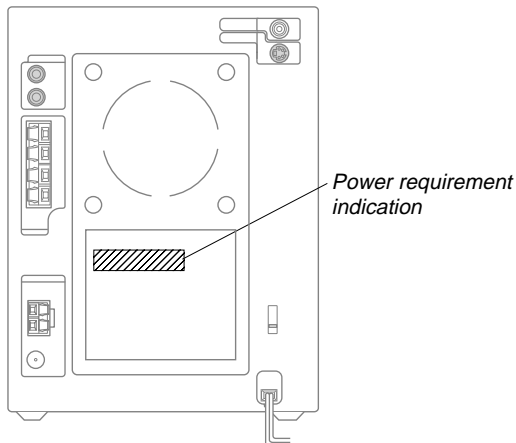
The disc tray lock function for the antitheft of an demonstration disc in the store is equipped.

Procedure :

1. Press the  button to turn the set ON.
2. Press the  button to select "DVD"
3. Set disc on the tray, press the  button and the  button simultaneously for five seconds.
4. The message "LOCKED" is displayed the tray is locked.
5. To release from this mode, press the  button and the  button simultaneously for five seconds again.
6. The message "UNLOCKED" is displayed and the tray is unlocked.

Note: When "LOCKED" is displayed, the slot lock is not released by turning power on/off with the  button.

MODEL IDENTIFICATION - Back Panel -

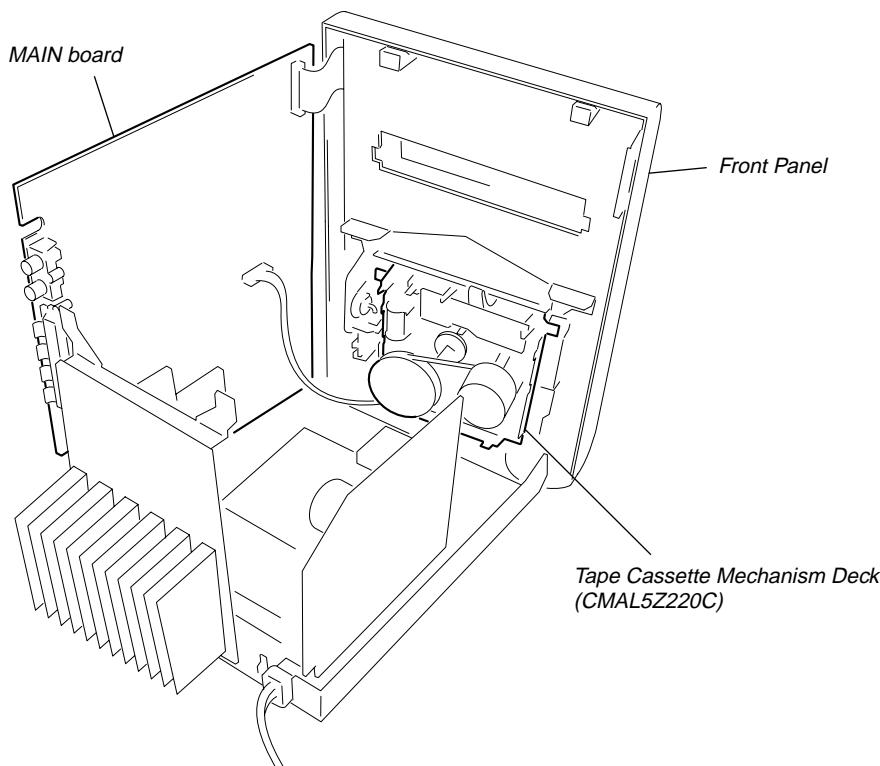


Model	Power Voltage Indication
US, CND models	120 V AC, 60 Hz
AEP, UK, RU models	230 V AC, 50/60 Hz
SP, E3, E51 models	110 - 120 V/220 - 240V AC, 50/60 Hz
KR model	220 V AC, 60 Hz
AUS model	230 - 240 V AC, 50/60 Hz

• Abbreviation

- AUS : Australian model.
- CND : Canadian model.
- E3 : 240 V AC area in E model.
- E51 : Chilean and Peruvian model.
- KR : Korea model.
- RU : Russian model.
- SP : Singapore model.

• SERVICE POSITION OF THE TAPE CASSETTE MECHANISM DECK



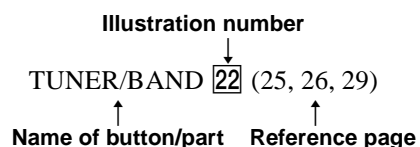
SECTION 2 GENERAL

This section is extracted from instruction manual.

List of button locations and reference pages

How to use this page

Use this page to find the location of buttons and other parts of the system that are mentioned in the text.



Main unit

ALPHABETICAL ORDER

A - O

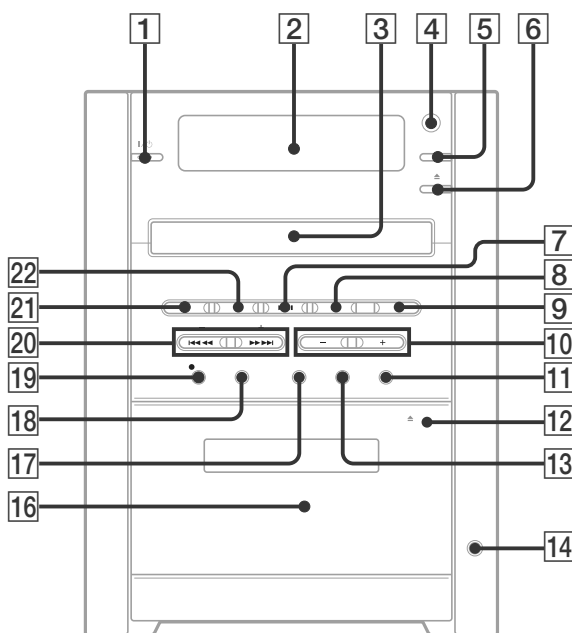
- Cassette compartment **16** (28)
- CD SYNC **18** (28)
- Disc tray **3** (12)
- DISPLAY **5** (27, 34, 35, 36)
- Display window **2**

P - Z

- PHONES jack **14**
- PLAY MODE **17** (13, 16, 44)
- PRESET EQ **13** (30)
- Remote sensor **4**
- REPEAT **11** (15)
- TUNER/BAND **22** (25, 26, 29)
- TUNING +/- **20** (25, 27)
- TV **21** (29, 38)
- VOLUME +/- **10** (13, 27, 28)

BUTTON DESCRIPTIONS

- I/⏻ (power) **1** (10, 44)
- ⏮ (open/close) **6** (12)
- DVD ▶|| (play/pause) **7** (10, 12, 23, 28, 39, 44)
- TAPE ▶ (play) **8** (28)
- (stop) **9** (10, 12, 26, 28, 31, 39, 44)
- ⏭ PUSH OPEN (eject) **12** (28)
- REC PAUSE/START (record) **19** (28, 31)
- ◀◀/▶▶ (rewind/fast forward) **20** (13, 28)
- ◀◀/▶▶ (go back/forward) **20** (12, 28)



Remote control

ALPHABETICAL ORDER

A - J

- ANGLE **11** (20)
- AUDIO **11** (19, 31)
- CLEAR **19** (16, 17, 23)
- CLOCK/TIMER SELECT **10** (33, 34)
- CLOCK/TIMER SET **10** (11, 32, 33)
- DIMMER **6** (34)
- DISPLAY **8** (34, 35, 36)
- DVD MENU **8** (14, 15)
- DVD SETUP **8** (11, 20, 21, 22, 24, 38, 44)
- DVD TOP MENU **8** (14)
- ENTER **8** **12** (11, 14, 15, 17, 20, 21, 22, 25, 32, 33, 38, 44)
- FM MODE **16** (27)

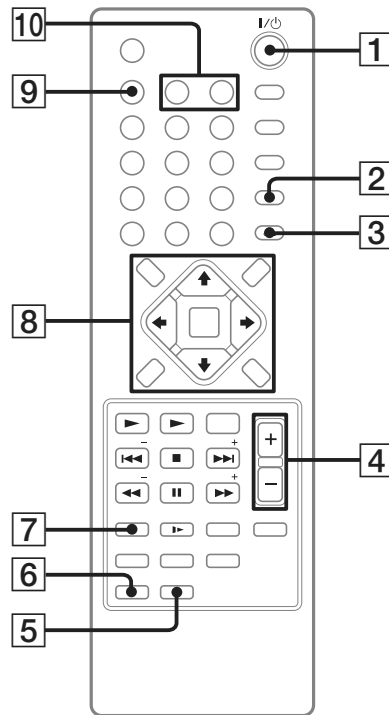
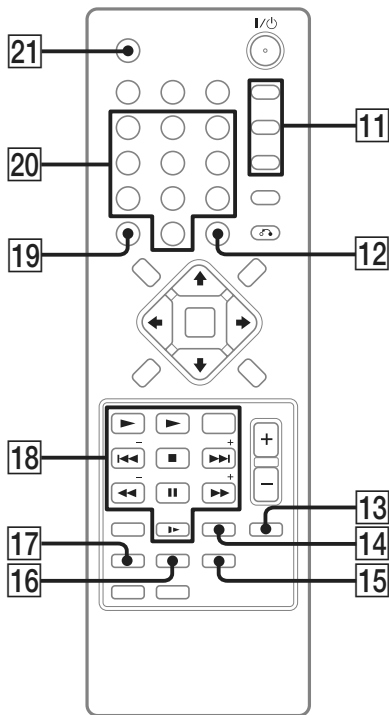
K - Z

- KARAOKE PON **15** (30)
- MUTING **9** (13, 27, 28)
- Number buttons* **20** (14, 15, 16, 17, 22)
- PLAY MODE **7** (13, 16)
- PRESET +/- **18** (25, 26)
- PRESET EQ **14** (30)
- REPEAT **17** (15)
- SLEEP **21** (32)
- SUBTITLE **11** (20)
- TIME SEARCH **2** (17)
- TUNER BAND **18** (25, 26)
- TUNER MEMORY **5** (25)
- TUNING +/- **18** (25, 27)
- TV **13**
- VOLUME +/- **4** (13, 27, 28, 32)

BUTTON DESCRIPTIONS

- I/⏻ (power) **1** (10, 32, 44)
- ↺ RETURN **3** (15)
- ↑/↓/←/→ **8** (11, 13, 20, 38, 44)
- TAPE ▶ (play) **18** (28)
- DVD ▶ (play) **18** (10, 12, 23, 39)
- ◀◀/▶▶ (go back/forward) **18** (11, 12, 32)
- (stop) **18** (10, 12, 28, 39)
- ◀◀/▶▶ (rewind/fast forward) **18** (13, 28)
- DVD || (pause) **18** (12)
- SLOW ▶▶ **18** (13)

* The number 5 button has a tactile dot. Use the tactile dot as a reference when operating the system.



Setting the clock

Use buttons on the remote for the operation.

- 1** Press I/⏻ to turn on the system.
- 2** Press CLOCK/TIMER SET.
- 3** Press ◀◀ or ▶▶ repeatedly to set the hour.
- 4** Press ENTER.
- 5** Press ◀◀ or ▶▶ repeatedly to set the minute.
- 6** Press ENTER.

The clock starts working.

To adjust the clock

- 1** Press CLOCK/TIMER SET.
- 2** Press ◀◀ or ▶▶ to select "CLOCK SET", then press ENTER.
- 3** Do the same procedures as step 3 to 6 above.

Notes

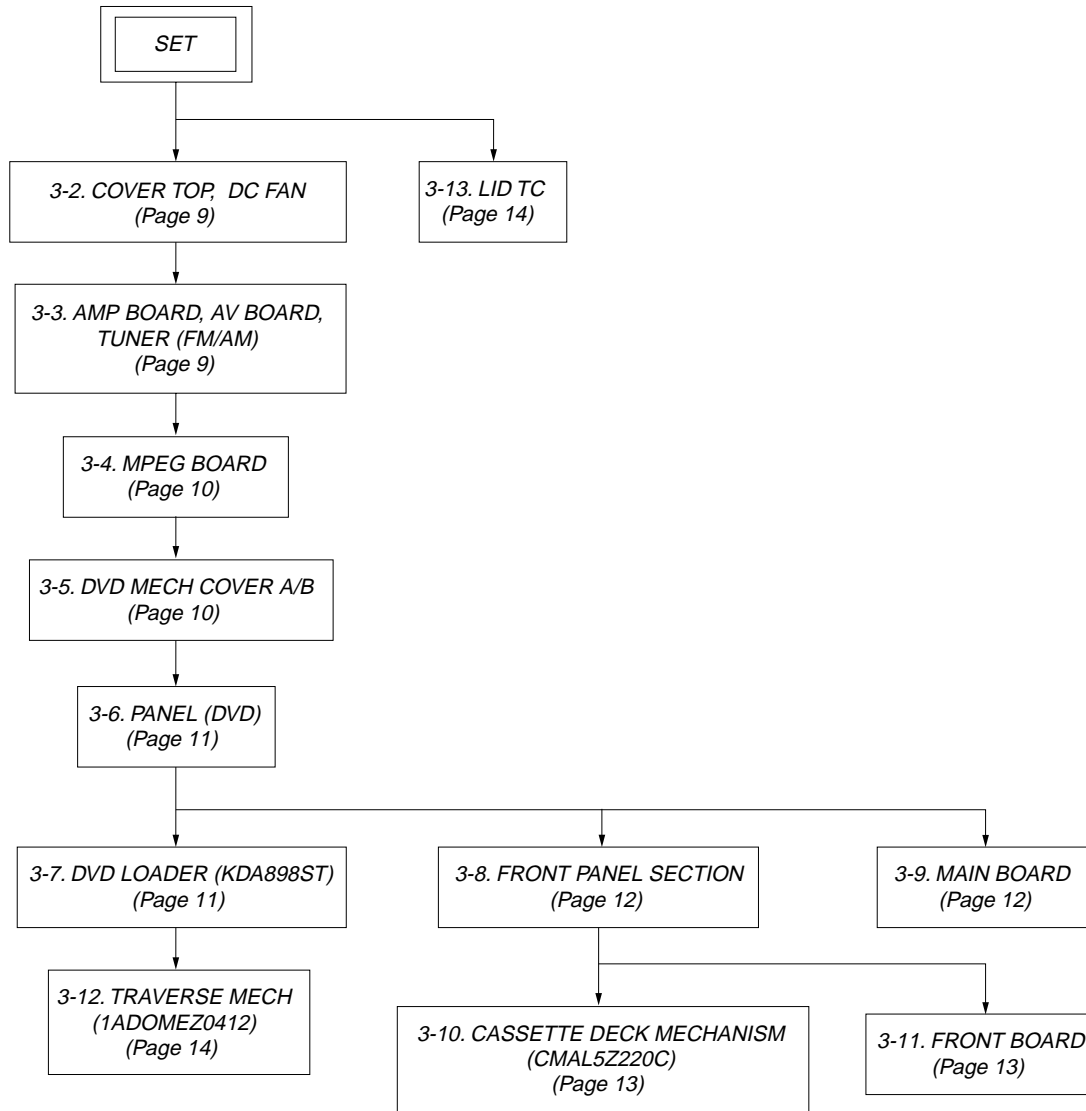
The clock settings are canceled when you disconnect the power cord or if a power failure occurs.

You cannot set the clock in Power Saving Mode (page 34).

SECTION 3 DISASSEMBLY

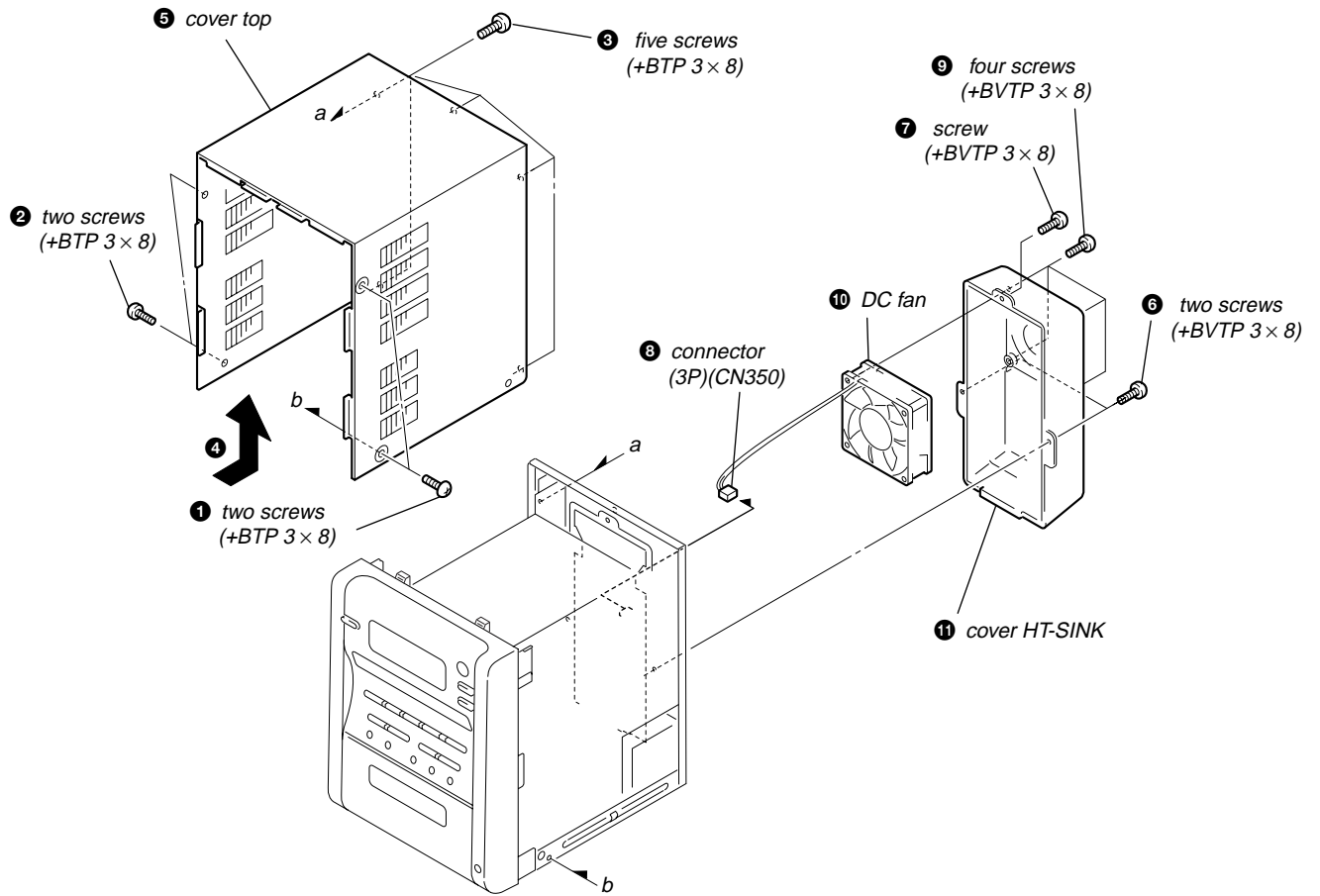
3-1. DISASSEMBLY FLOW

- This set can be disassembled in the order shown below.

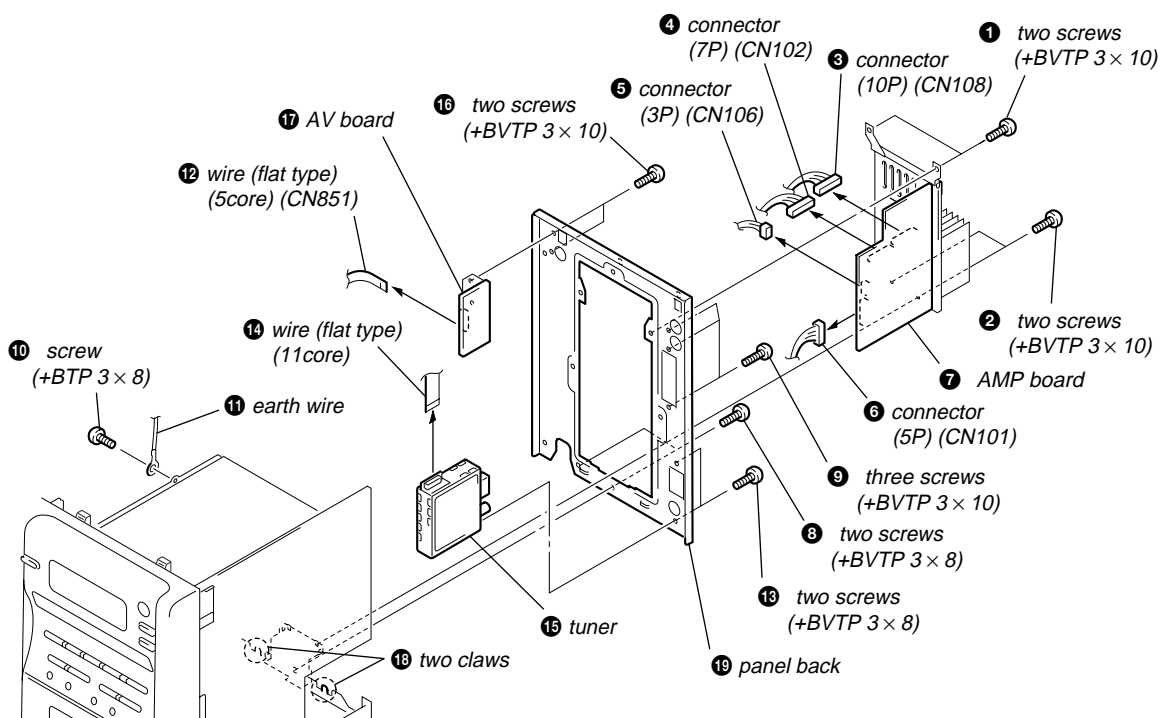


Note: Follow the disassembly procedure in the numerical order given.

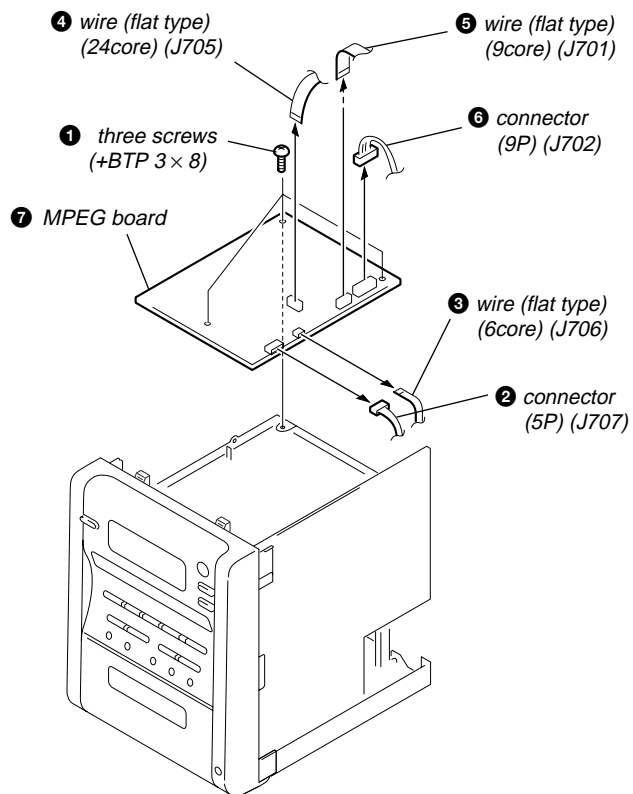
3-2. COVER TOP, DC FAN



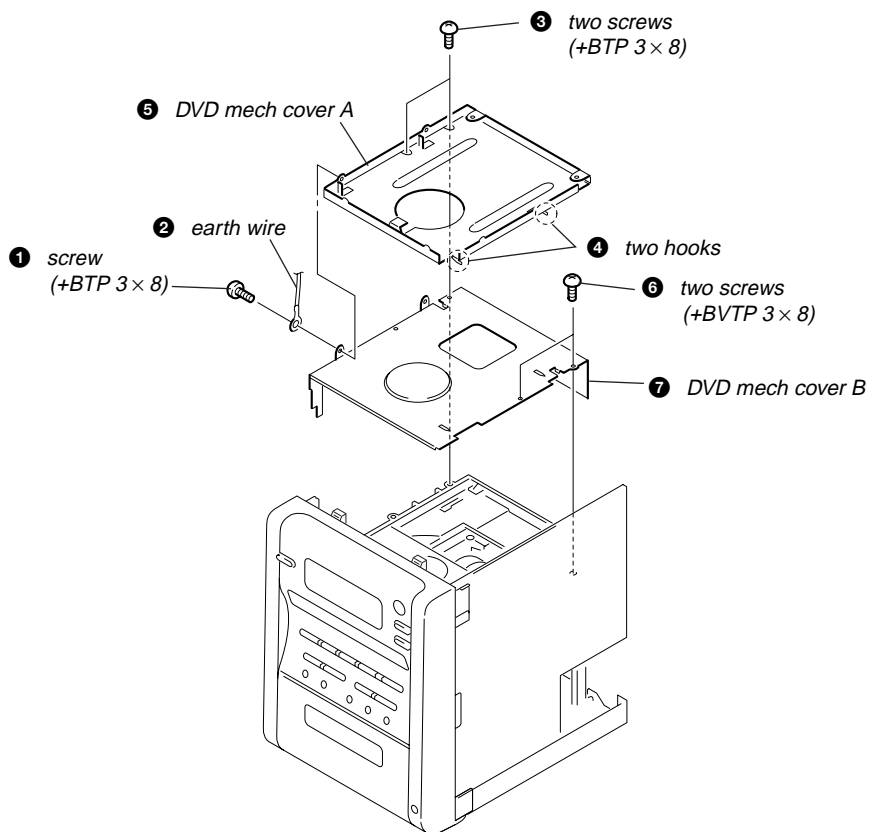
3-3. AMP BOARD, AV BOARD, TUNER (FM/AM)



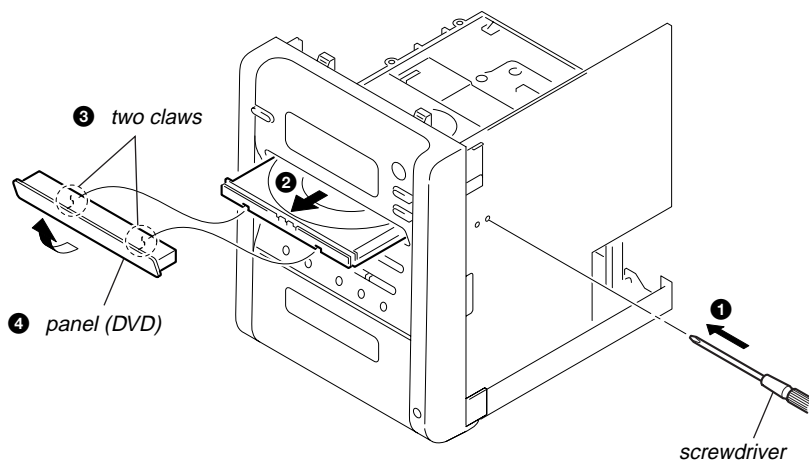
3-4. MPEG BOARD



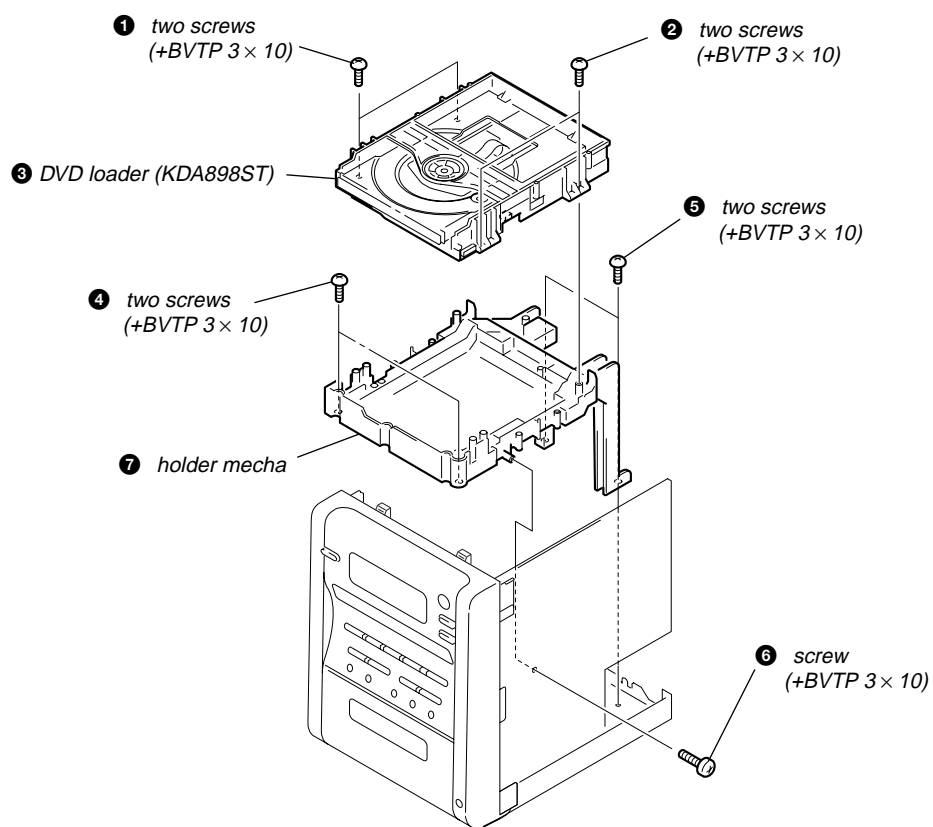
3-5. DVD MECH COVER A/B



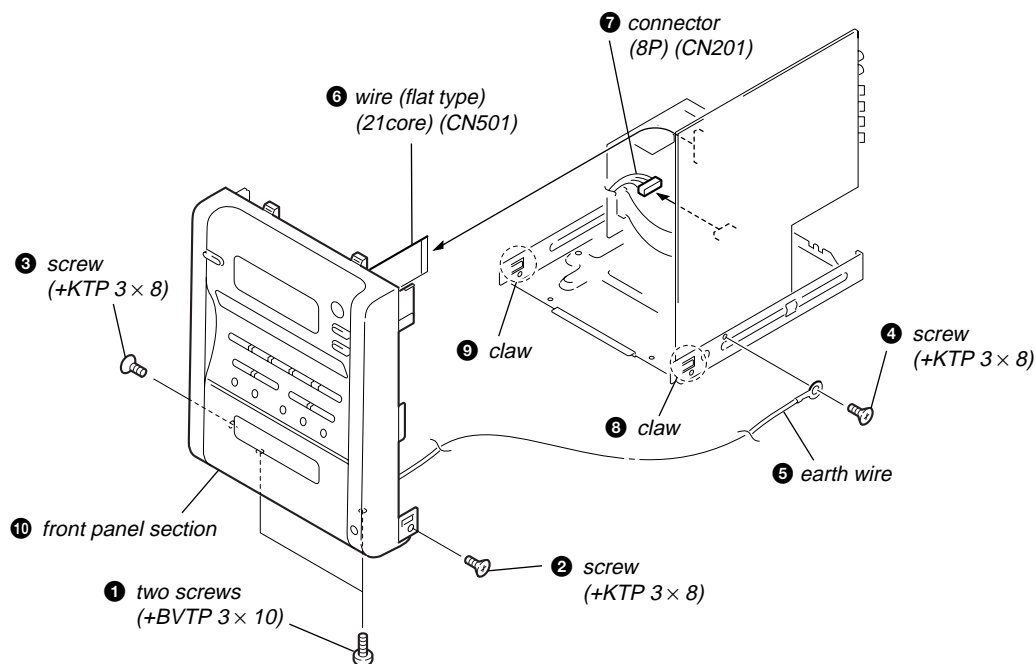
3-6. PANEL (DVD)



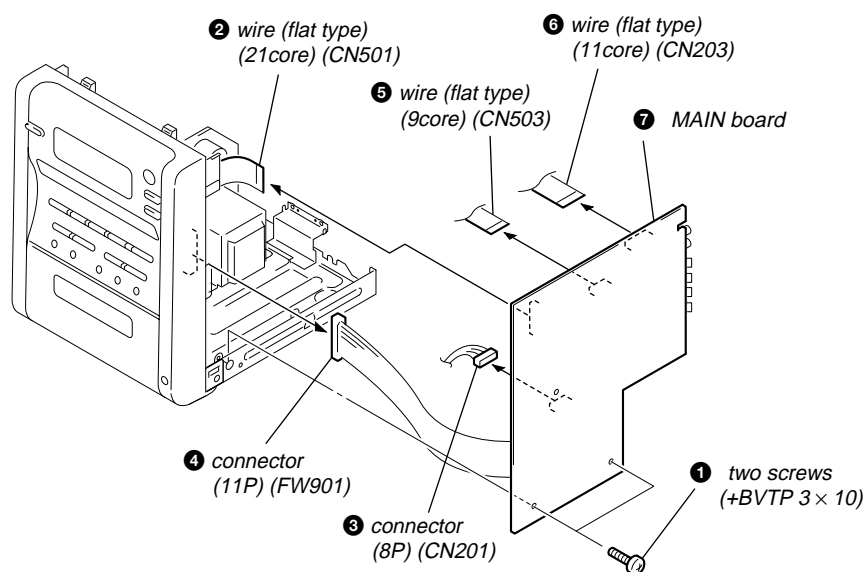
3-7. DVD LOADER (KDA898ST)



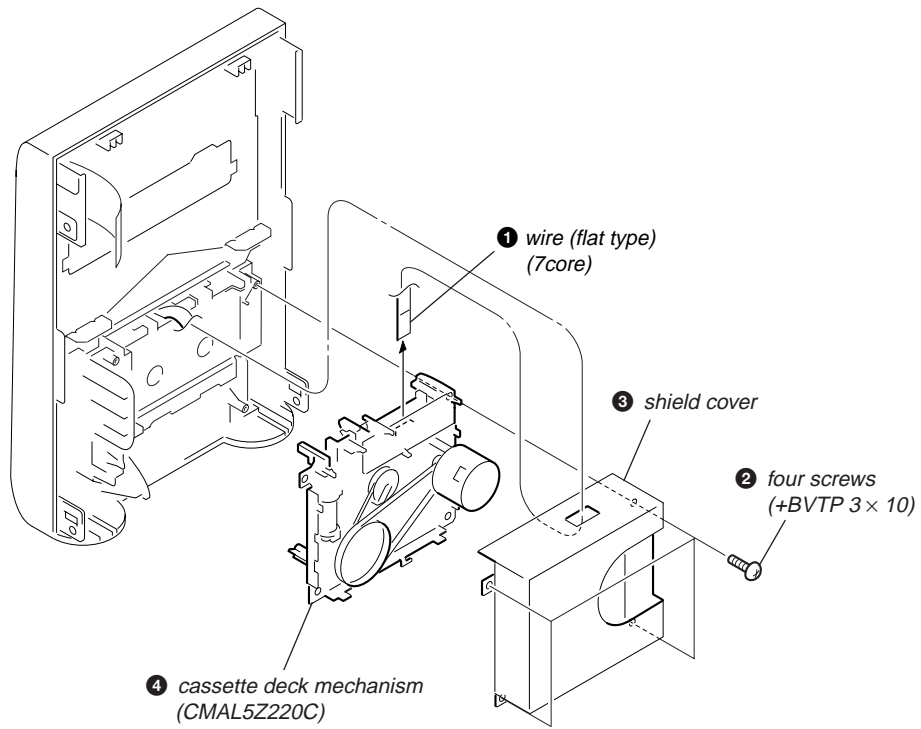
3-8. FRONT PANEL SECTION



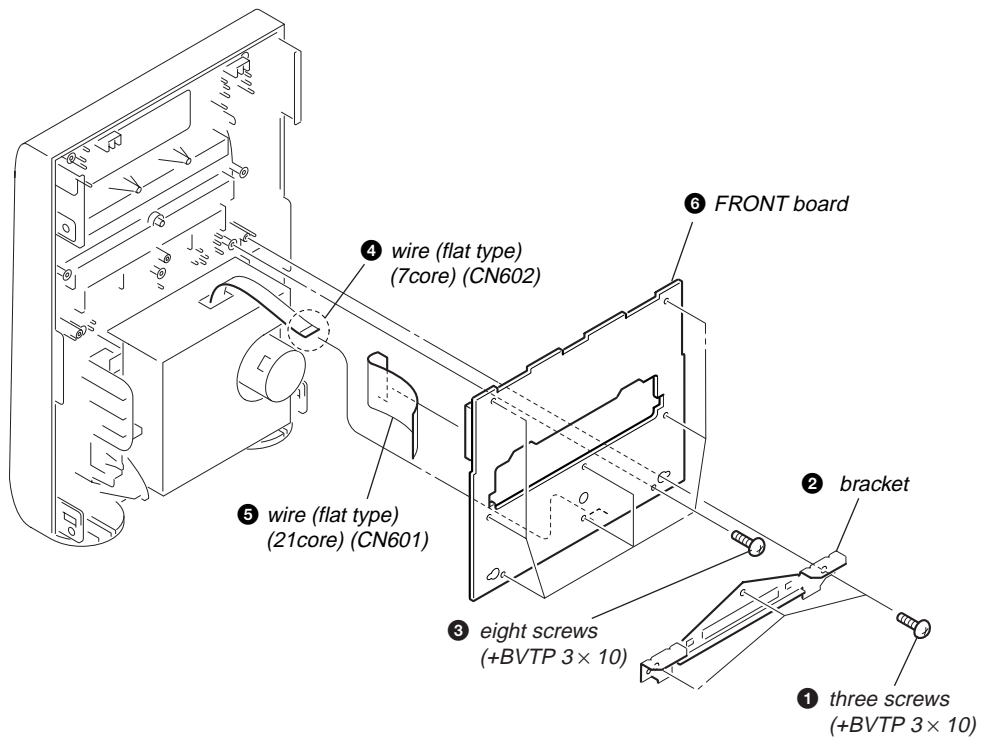
3-9. MAIN BOARD



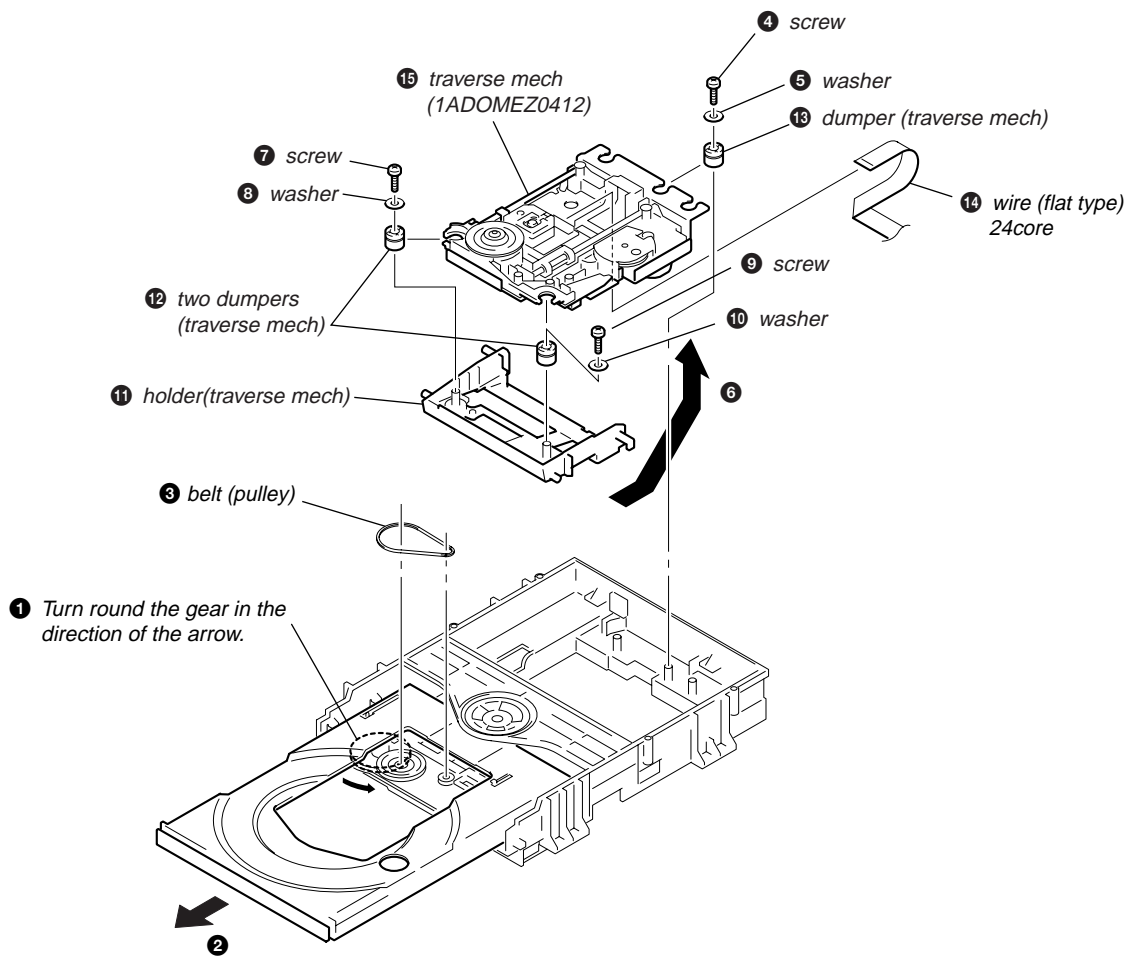
3-10. CASSETTE DECK MECHANISM (CMAL5Z220C)



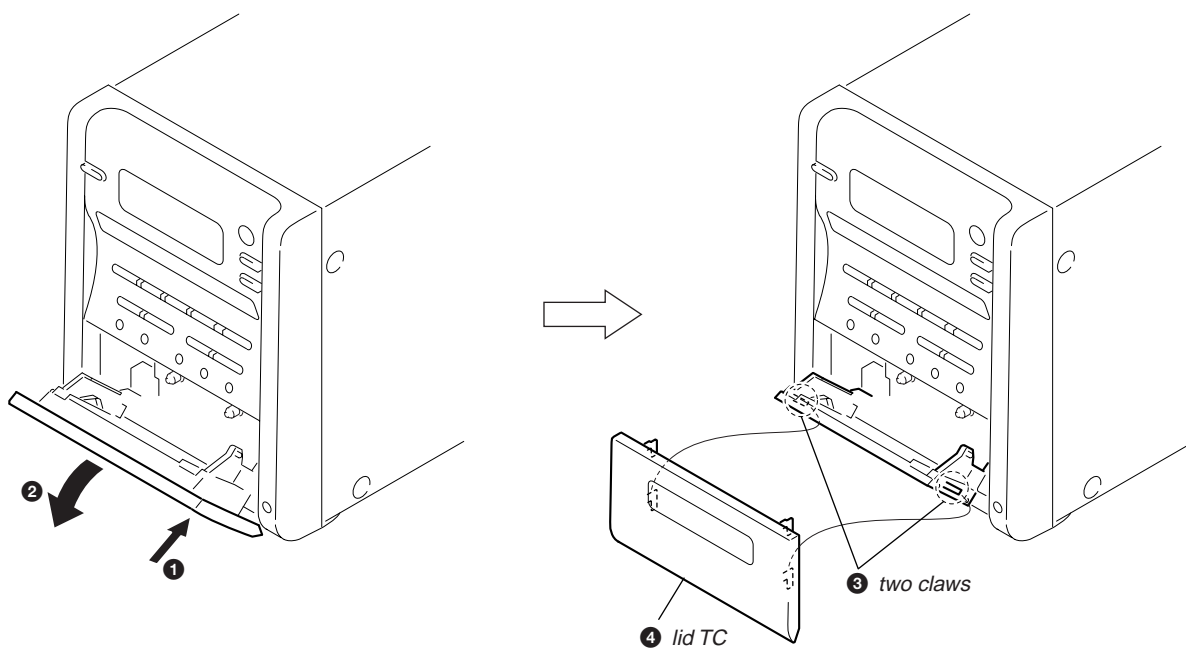
3-11. FRONT BOARD



3-12. TRAVERSE MECH (1ADOMEZ0412)



3-13. LIDTC



SECTION 4 TEST MODE

Note 1: Regarding the notification symbol "R"

Because the number of the operating buttons of this product are limited, some operations require use of the operating buttons of the remote commander. When a specific operation requires use of the operating buttons of the remote commander, "R" is added to the specific operating procedure in this manual. Example **MENU/NO "R"** The **MENU/NO** button of remote commander.

Note 2: Incorrect operations may be performed if the test mode is not entered properly.

In this case, press the **I/⏻** button to turn the power off, and retry to enter the test mode.

COLD RESET

- The cold reset clears all data including preset data stored in the RAM to initial conditions. Execute this mode when returning the set to the customers.

Procedure:

- Press the **I/⏻** button to turn the set ON.
- Press three buttons **■**, **PLAY MODE** and **DVD ►||** simultaneously.
- The message "COLD RESET" is displayed and the set is reset.

TUNER STEP CHANGE (EXCEPT FOR AEP, UK, RUSSIAN models)

- A step of AM channels can be changed over between 9 kHz and 10 kHz.

Procedure:

- Press the **I/⏻** button to turn the set ON.
- Select the function "TUNER", and press **TUNER/BAND** button to select the BAND "AM".
- Press the **I/⏻** button to turn the set OFF.
- Press the **■** and **TUNER/BAND** buttons simultaneously, and thus the channel step is changed over.

SHIP RESET

Procedure:

- Press the **I/⏻** button to turn the set ON.
- Press the **DVD ►||** button to select "DVD"
- Remove the disc.
- The message "NO DISC" is displayed.
- Press three buttons **■**, **PLAY MODE** and **TAPE ►** simultaneously.
- The message "SHIP RESET" is displayed and the set is reset. The DVD function is activated.
- To exit from this mode, press the **I/⏻** button and pull out the AC plug.

DISC TRAY LOCK

The disc tray lock function for the antitheft of a demonstration disc in the store is equipped.

Procedure :

- Press the **I/⏻** button to turn the set ON.
- Press the **DVD ►||** button to select "DVD"
- Set disc on the tray, press the **■** button and the **▲** button simultaneously for five seconds.
- The message "LOCKED" is displayed the tray is locked.
- To release from this mode, press the **■** button and the **▲** button simultaneously for five seconds again.
- The message "UNLOCKED" is displayed and the tray is unlocked.

Note: When "LOCKED" is displayed, the slot lock is not released by turning power on/off with the **I/⏻** button.

PANEL TEST MODE

- This mode is used to check the software version, LCD, LED and keyboard.

Procedure:

- Press the **I/⏻** button to turn the set ON.
- Press the **DVD ►||** button to select "DVD"
- Press three buttons **■**, **PRESET EQ** and **TAPE ►** simultaneously.
- When the panel test mode is activated, all segments are turned on.

VERSION DISPLAY

- This mode is used check the model, destination, software version.

Procedure:

- Press the **I/⏻** button to turn the set ON.
- Press the **DVD ►||** button to select "DVD"
- Press three buttons **■**, **PRESET EQ** and **TV** simultaneously, the model and destination are displayed.

DVD COLOR SYSTEM CHANGE OVER

- The color system can be changed over NTSC or PAL.

Procedure:

- Press the **I/⏻** button to turn the set ON.
- Set the function to "DVD".
- Press the **I/⏻** button to turn the set OFF.
- Press the **■** button and **I/⏻** button simultaneously. The set will power on automatically.
- The message "COLOR PAL" or "COLOR NTSC" will be displayed on the fluorescent indicator tube. The color system is changed over.

CD Repeat 5 Times Limit Release Mode

Procedure:

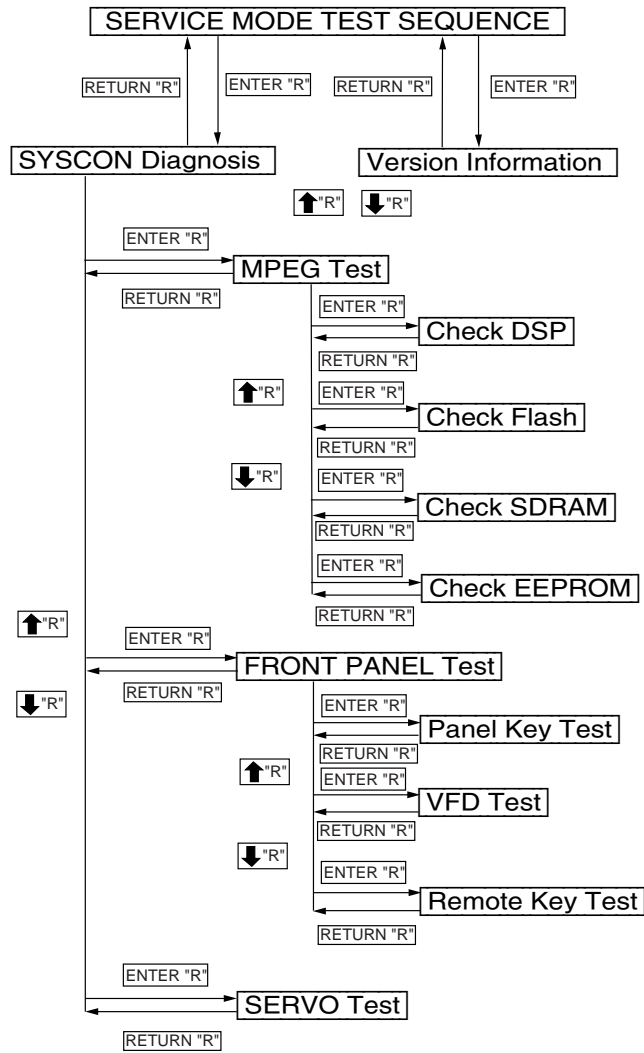
- Press the **I/⏻** button to turn the set ON.
- Set the function to "DVD".
- Press three buttons **■**, **▲**, and **DVD ►||** simultaneously.
- The repeat all mark blinks and then repeat 5 times limit is released.

DVD SECTION

[GENERAL DESCRIPTION]

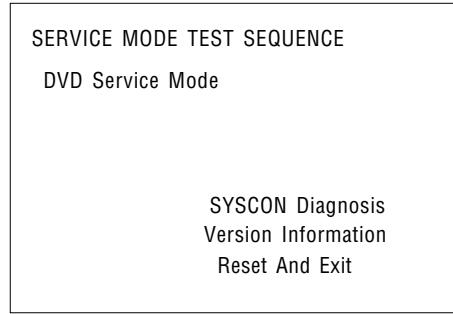
The Test Mode allows you to make diagnosis and adjustment easily using the remote commander and monitor TV. The instructions, diagnostic results, etc. are given on the on-screen display (OSD).

[Configuration of Test Mode]



1. STARTING TEST MODE

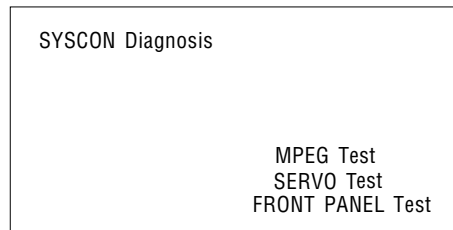
1. Press the button to turn the power on, and set the function to DVD.
2. While pressing the and button at the same time, rotate the knob clockwise to enter the test mode.
3. The message “SERVICE IN” appears on the fluorescent indicator tube, and the message Test Mode Menu appears on the monitor screen as follows.



1. To execute each function, press the or button to select the desired menu. Then press the button.
2. To exit the Test Mode, select the menu “Reset And Exit” and press the button.

2. SYSICON Diagnosis

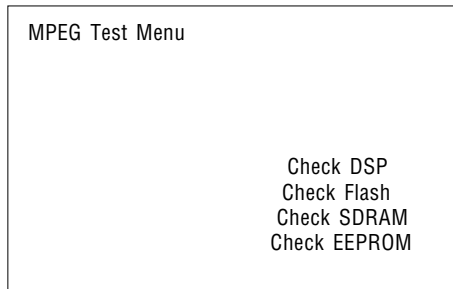
1. Select the menu “SYSICON Diagnosis” and press the button.
2. Press the or button to select the desired menu.



3. To exit the Test Mode, press the button.

2-1. MPEG Test MENU

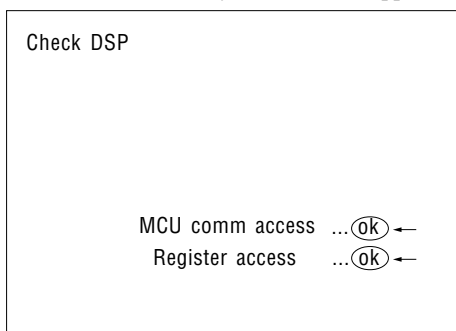
1. Select the menu “MPEG Test Menu” and press the button.
2. Press the or button to select the desired menu.



3. To exit the Test Mode, press the button.

2-1-1. Check DSP

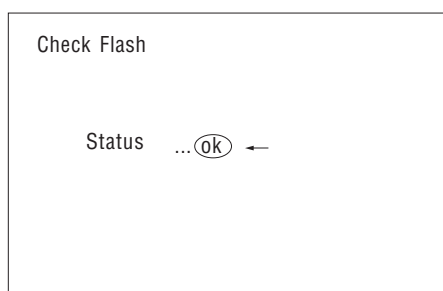
1. Select the menu "Check DSP" and press the **ENTER "R"** button, then execute this mode.
2. When the check is completed with success, "OK" appears. When the check finds any failure, "fail" appear.



3. To exit the Test Mode, press the **RETURN "R"** button.

2-1-2. Check Flash

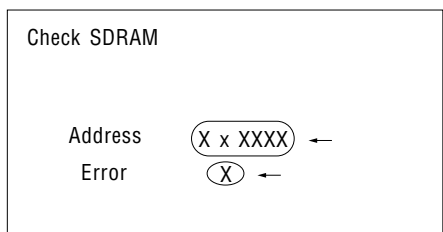
1. Select the menu "Check Flash" and press the **ENTER "R"** button, then execute this mode.
2. When the check is completed with success, "OK" appears. When the check finds any failure, "fail" appears.



3. To exit the Test Mode, press the **RETURN "R"** button.

2-1-3. Check SDRAM

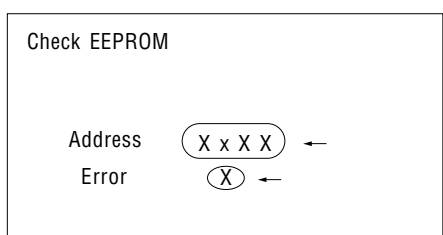
1. Select the menu "Check SDRAM" and press the **ENTER "R"** button, then execute this mode.
2. If error is detected, the "Address" and the "Error" count appear.



3. To exit the Test Mode, press the **RETURN "R"** button.

2-1-4. Check EEPROM

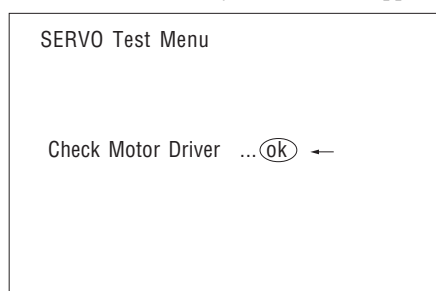
1. Select the menu "Check EEPROM" and press the **ENTER "R"** button, then execute this mode.
2. If error is detected, the "Address" and the "Error" count appear.



3. To exit the Test Mode, press the **RETURN "R"** button.

2-2. SERVO Test MENU

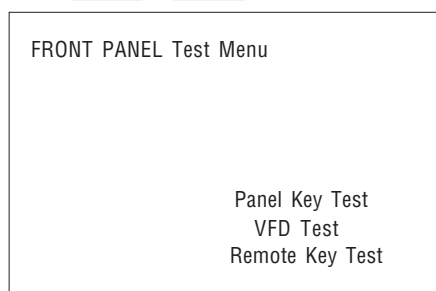
1. Select the menu "SERVO Test Menu" and press the **ENTER "R"** button, then execute this mode.
2. When the check is completed with success, "OK" appears. When the check finds any failure, "fail" appears.



3. To exit the Test Mode, press the **RETURN "R"** button.

2-3. FRONT PANEL Test MENU

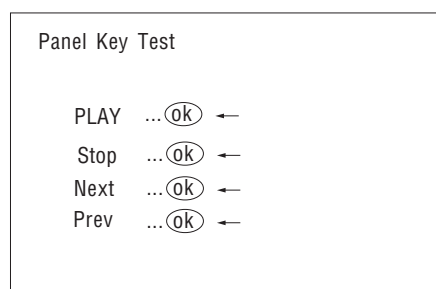
1. Select the menu "FRONT PANEL Test Menu" and press the **ENTER "R"** button, then execute this mode.
2. Press the **DOWN "R"** or **UP "R"** button to select the desired menu.



3. To exit the Test Mode, press the **RETURN "R"** button.

2-3-1. Panel Key Test

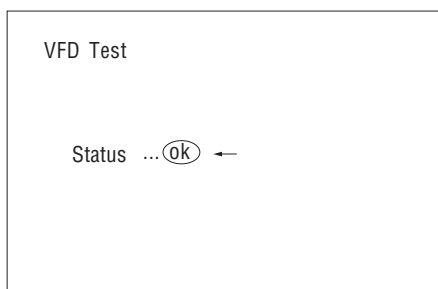
1. Select the menu "PANEL KEY Test" and press the **ENTER "R"** button, then execute this mode.
2. Press **TAPE**, **STOP**, **PLAY**, **REVERSE** button on the Front panel in this order.
3. When the check is completed with success, "OK" appears. When the check finds any failure, "fail" appears.



4. To exit the Test Mode, press the **RETURN "R"** button.

2-3-2. VFD Test MENU

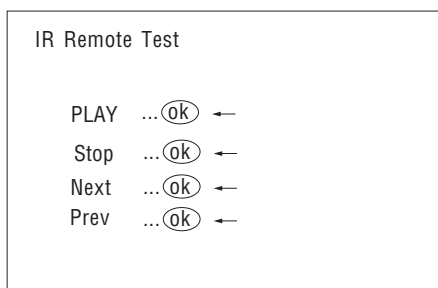
1. Select the menu "VDF Test Menu" and press the **ENTER "R"** button, then execute this mode.
2. When the check is completed with success, "OK" appears. When the check finds any failure, "fail" appears..



3. To exit the Test Mode, press the **RETURN "R"** button.

2-3-3. IR Remote Test

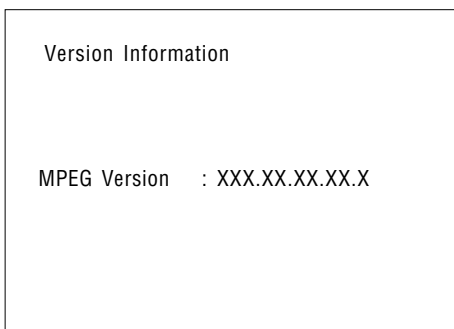
1. Select the menu "IR Remote Test" and press the **ENTER "R"** button, then execute this mode.
2. Press **TAPE ▶▶**, **■**, **▶▶▶**, **◀◀◀** button on the remote commander in this order.
3. When the check is completed with success, "OK" appears. When the check finds any failure, "FAIL" appears.



4. To exit the Test Mode, press the **RETURN "R"** button.

3. Version Information

1. Select the menu "Version Information" and press the **ENTER "R"** button, then execute this mode.
2. The "Version" appears.



3. To exit the Test Mode, press the **RETURN "R"** button.

SECTION 5 MECHANICAL ADJUSTMENTS

Precaution

1. Clean the following parts with a denatured alcohol-moistened swab:

record/playback heads	pinch rollers
erase head	rubber belts
capstan	idlers
2. Demagnetize the record/playback head with a head demagnetizer.
3. Do not use a magnetized screwdriver for the adjustments.
4. After the adjustments, apply suitable locking compound to the parts adjusted.
5. The adjustments should be performed with the rated power supply voltage unless otherwise noted.

Torque Measurement

Mode	Torque meter	Meter reading
FWD	CQ-102C	2.94 – 7.84 mN • m (31 to 71 g • cm) (0.43 – 0.98 oz • inch)
FWD back tension	CQ-102C	0.15 – 0.59 mN • m (2 to 6 g • cm) (0.02 – 0.08 oz • inch)
REV	CQ-102RC	2.94 – 7.84 mN • m (30 to 79 g • cm) (0.42 – 1.11 oz • inch)
REV back tension	CQ-102RC	0.15 – 0.59 mN • m (2 to 6 g • cm) (0.03 – 0.08 oz • inch)
FF/REW	CQ-201B	6.86 – 17.64 mN • m (71 to 143 g • cm) (0.98 – 2.49 oz • inch)
FWD tension	CQ-403A	9.8 mN • m or more (100 g • cm or more) (1.4 oz • inch or more)
REV tension	CQ-403R	9.8 mN • m or more (100 g • cm or more) (1.4 oz • inch or more)

SECTION 6 ELECTRICAL ADJUSTMENTS

DECK SECTION

0 dB=0.775V

1. Demagnetize the record/playback head with a head demagnetizer.
2. Do not use a magnetized screwdriver for the adjustments.
3. After the adjustments, apply suitable locking compound to the parts adjusted.
4. The adjustments should be performed with the rated power supply voltage unless otherwise noted.
5. The adjustments should be performed in the order given in this service manual. (As a general rule, playback circuit adjustment should be completed before performing recording circuit adjustment.)
6. The adjustments should be performed for both L-CH and R-CH.
7. Switches and controls should be set as follows unless otherwise specified.

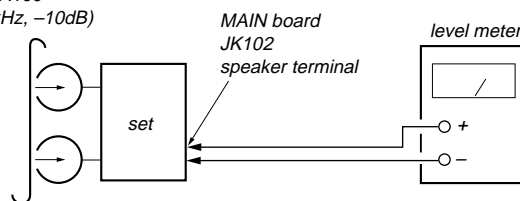
Tape	Signal	Used for
P-4-A100	10 kHz, -10 dB	Azimuth Adjustment
WS-48B	3 kHz, 0 dB	Tape Speed Adjustment

[Record/Playback Head Azimuth Adjustment]

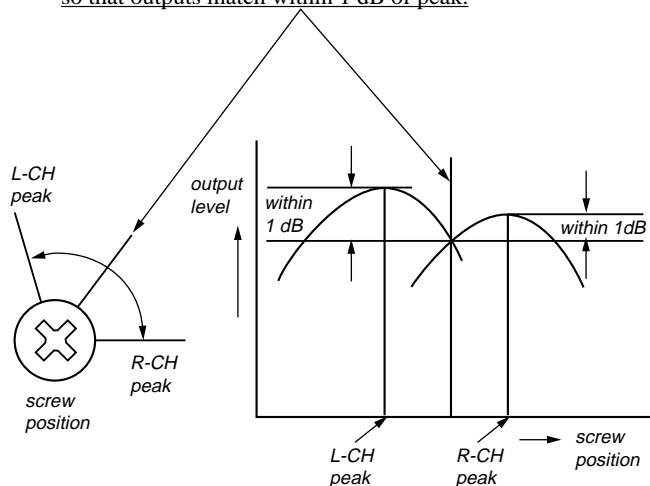
Procedure:

1. Mode : Playback

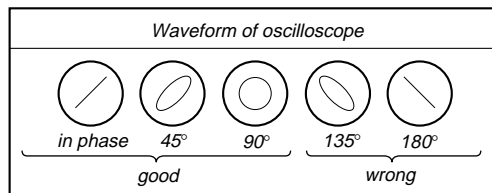
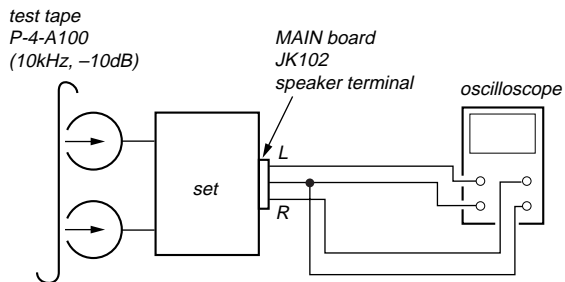
*test tape
P-4-A100
(10kHz, -10dB)*



2. Turn the adjustment screw and check output peaks. If the peaks do not match for L-CH and R-CH, turn the adjustment screw so that outputs match within 1 dB of peak.

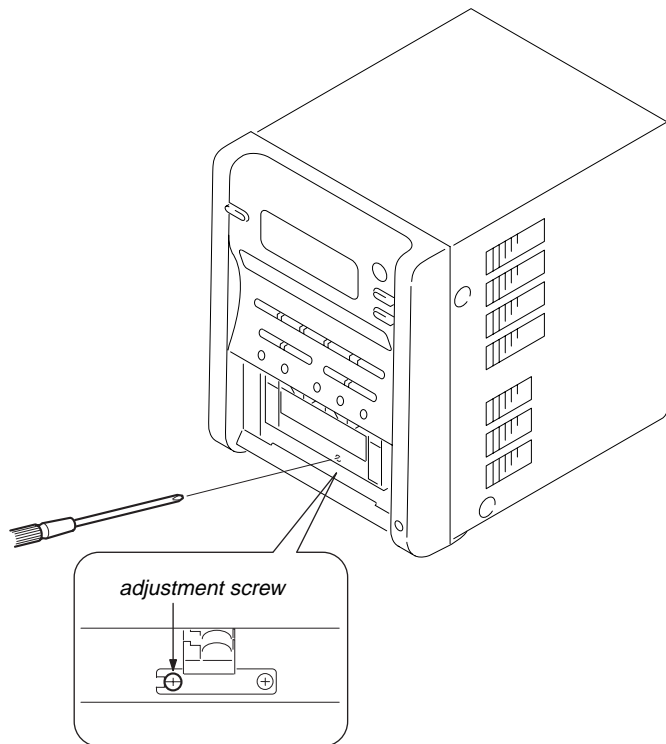


3. Mode: Playback



4. After the adjustments, apply suitable locking compound to the parts adjusted.

Adjustment Location: Record/Playback/Erase Head



Note: Refer to "3-13. LID TC" (see page 14)

[Tape Speed Check]

Procedure:

1. Turn the power on.
2. Insert the WS-48B into deck.
3. Press the **TAPE** button of deck.
4. Check the reading of frequency counter becomes 3000 ± 90 Hz.

Sample Value of Wow and flutter

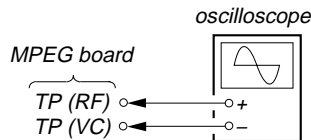
W.RMS (JIS) less than 0.3%
(test tape: WS-48B)

DVD SECTION

[RF Level Check]

Check the RF level when optical pick-up block (TRAVERSE MECH) is replaced.

Connection:



Procedure:

1. Connect an oscilloscope to TP (RF) and TP (VC) on the MPEG board.
2. Turn the power on.
3. Set the test disc on the tray and press **DVD** button to playback.
4. Observe the waveform of the oscilloscope, and check that the RF level is satisfied to specified value.

[Test Disc List and Specified Value]

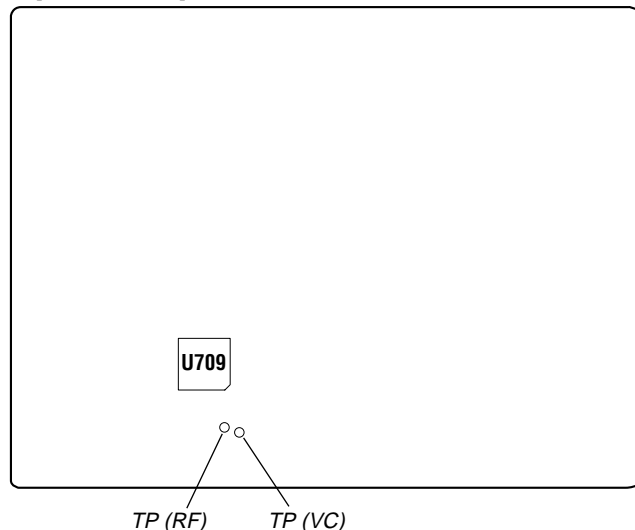
Use the following test disc on adjustment.

TEST DISC	Specified Value	Deviation
CD (YEDS-18) PART No. :3-702-101-01	310 mV	+30 mV/-50 mV
DVD Single Layer (HLX-504) PART No. :J-6090-088-A	290 mV	+25 mV/-40 mV
DVD Dual Layer (HLX-505) PART No. :J-6090-089-A	120 mV	+20 mV/-30 mV

Note: Do not use existing test disc for DVD.

Checking Location: MPEG board

[MPEG BOARD]



SECTION 7 DIAGRAMS

THIS NOTE IS COMMON FOR PRINTED WIRING BOARDS AND SCHEMATIC DIAGRAMS.
(In addition to this, the necessary note is printed in each block.)

For Schematic Diagrams.

- Note:**
- All capacitors are in μF unless otherwise noted. (p: pF) 50 WV or less are not indicated except for electrolytics and tantalums.
 - All resistors are in Ω and $1/4\text{ W}$ or less unless otherwise specified.
 - Δ : internal component.
 - : panel designation.

Note:
The components identified by mark Δ or dotted line with mark Δ are critical for safety. Replace only with part number specified.

Note:
Les composants identifiés par une marque Δ sont critiques pour la sécurité. Ne les remplacer que par une pièce portant le numéro spécifié.

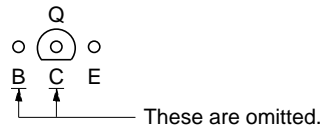
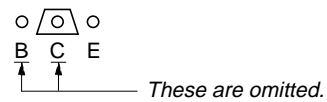
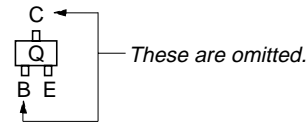
- : B+ Line.
- Voltages and waveforms are dc with respect to ground under no-signal (detuned) conditions.
 - MPEG Section –
No mark: DVD STOP
 - Other Section –
No mark: FM
 - < > : TAPE REC
- Voltages are taken with a VOM (Input impedance $10\text{ M}\Omega$). Voltage variations may be noted due to normal production tolerances.
- Waveforms are taken with a oscilloscope. Voltage variations may be noted due to normal production tolerances.
- Circled numbers refer to waveforms.
- Signal path.
 - : AUDIO
 - : TUNER
 - : TAPE PLAY
 - : TAPE REC
 - : DVD (AUDIO)
 - : DVD (RF)
 - : DVD (DIGITAL)
 - : TV IN
 - : VIDEO
- Abbreviation
 - AUS : Australian model.
 - CND : Canadian model.
 - E3 : 240 V AC area in E model.
 - E51 : Chilean and Peruvian model.
 - KR : Korea model.
 - RU : Russian model.
 - SP : Singapore model.

For Printed Wiring Boards.

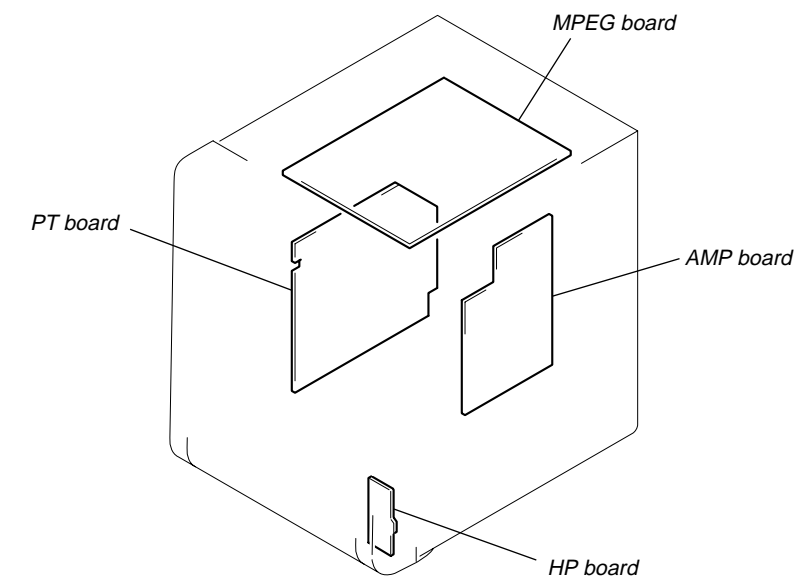
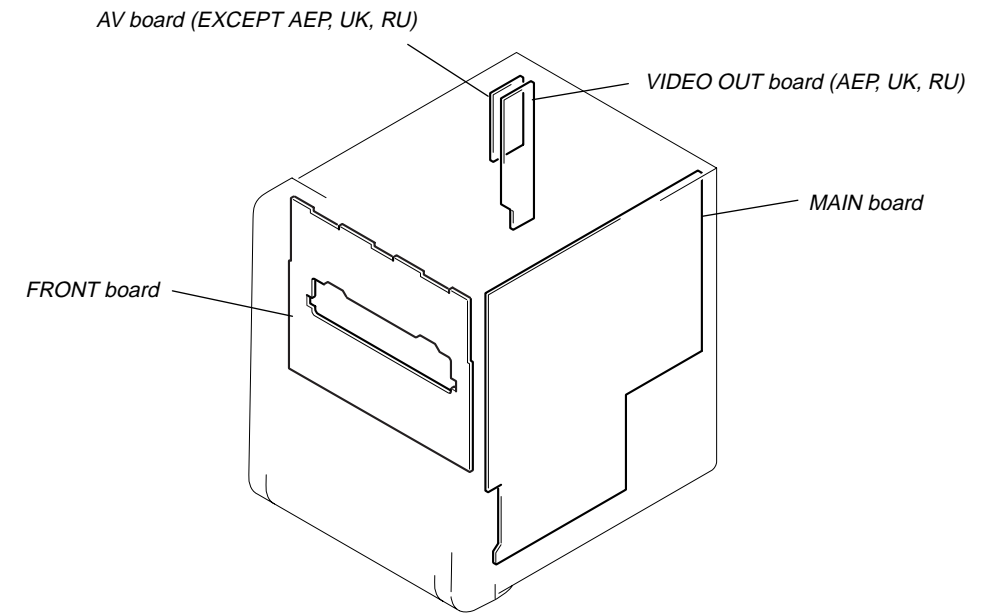
- Note:**
- : parts extracted from the component side.
 - : parts extracted from the conductor side.
 - Δ : internal component.
 - : Pattern from the side which enables seeing.

Caution:
Pattern face side: Parts on the pattern face side seen from (Side A) the pattern face are indicated.
Parts face side: Parts on the parts face side seen from (Side B) the parts face are indicated.

• Indication of transistor.

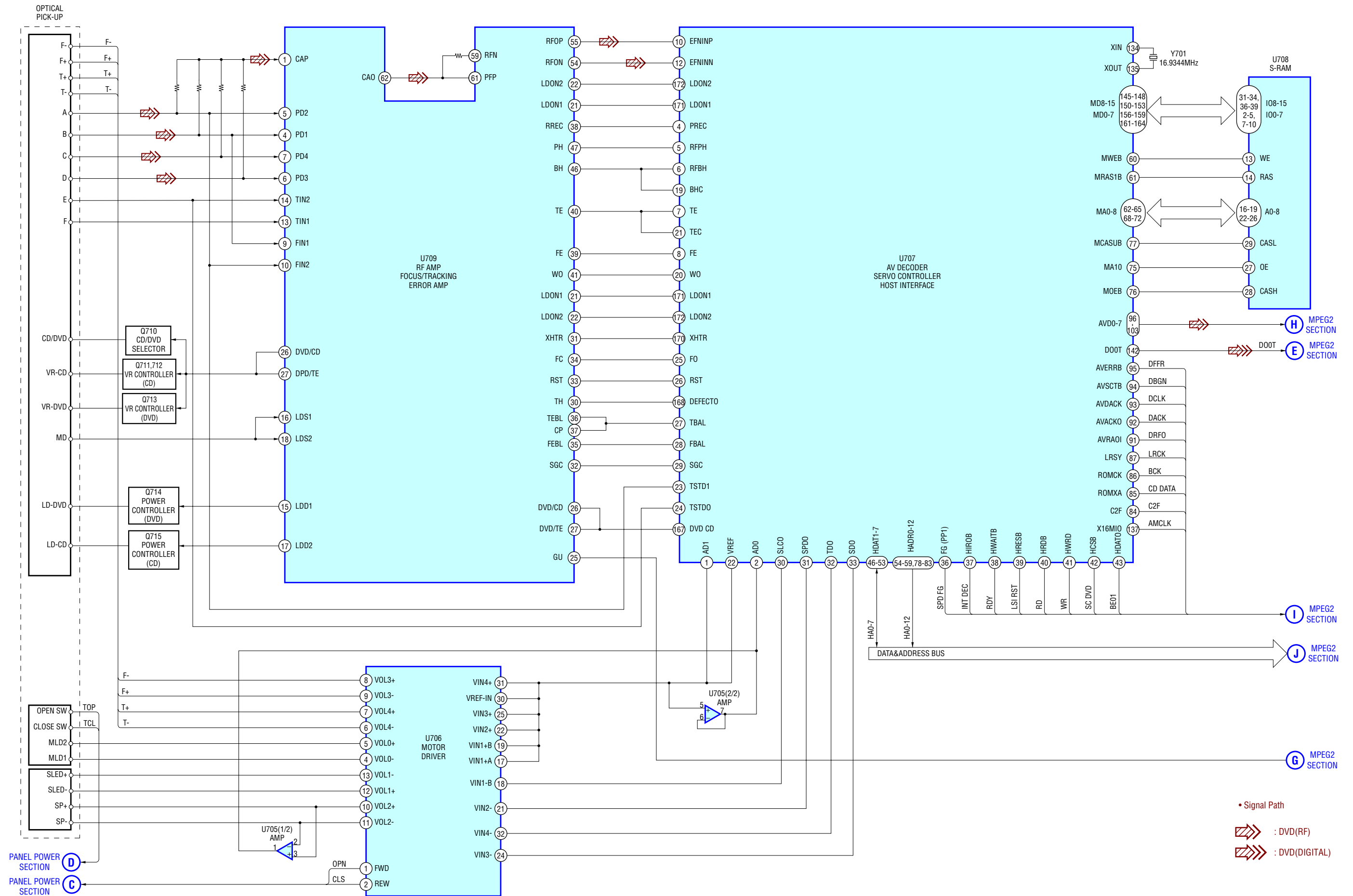


• Circuit Boards Location

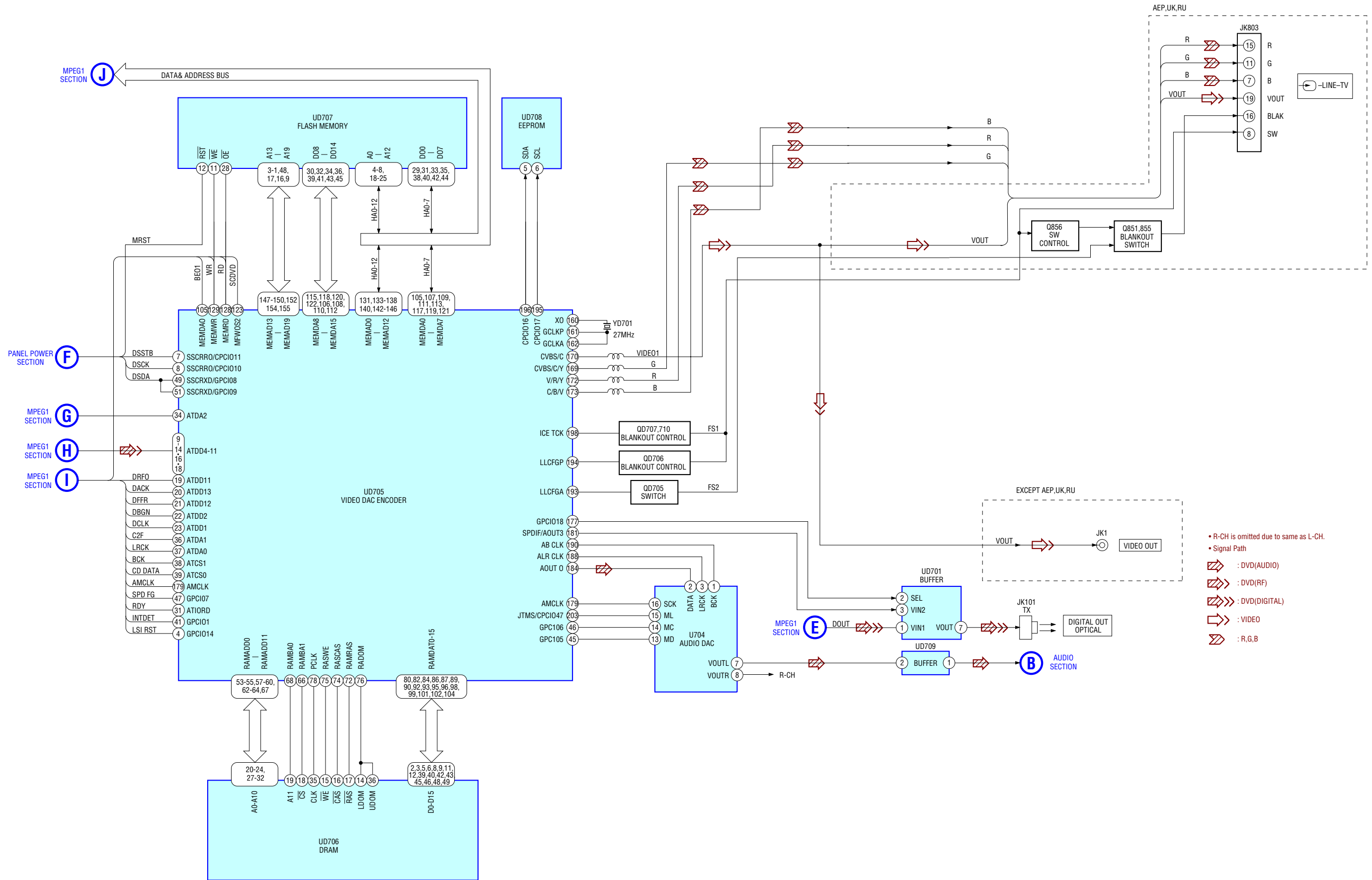


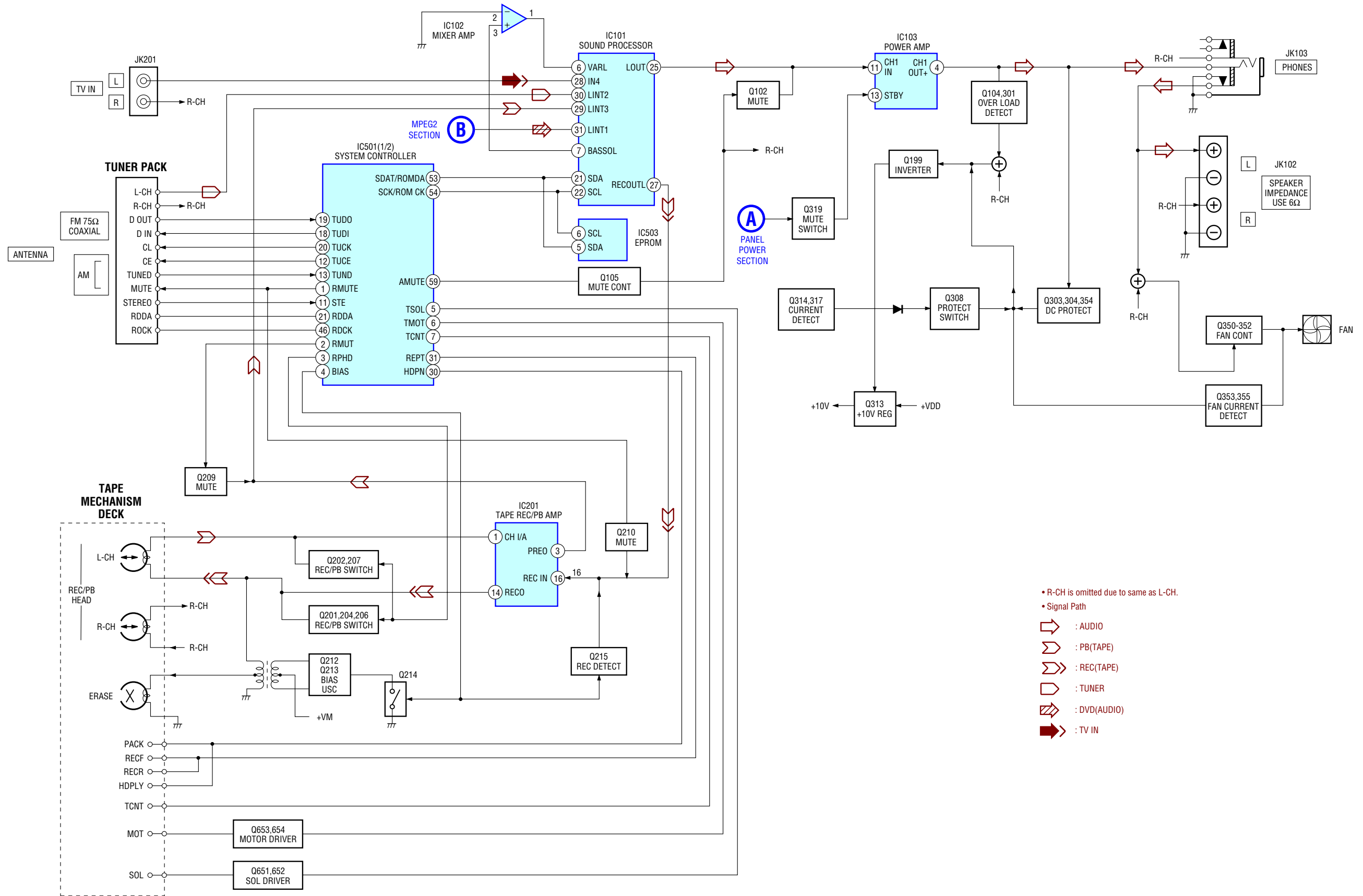
HCD-DV2D

7-1. BLOCK DIAGRAMS — MPEG-1 SECTION —

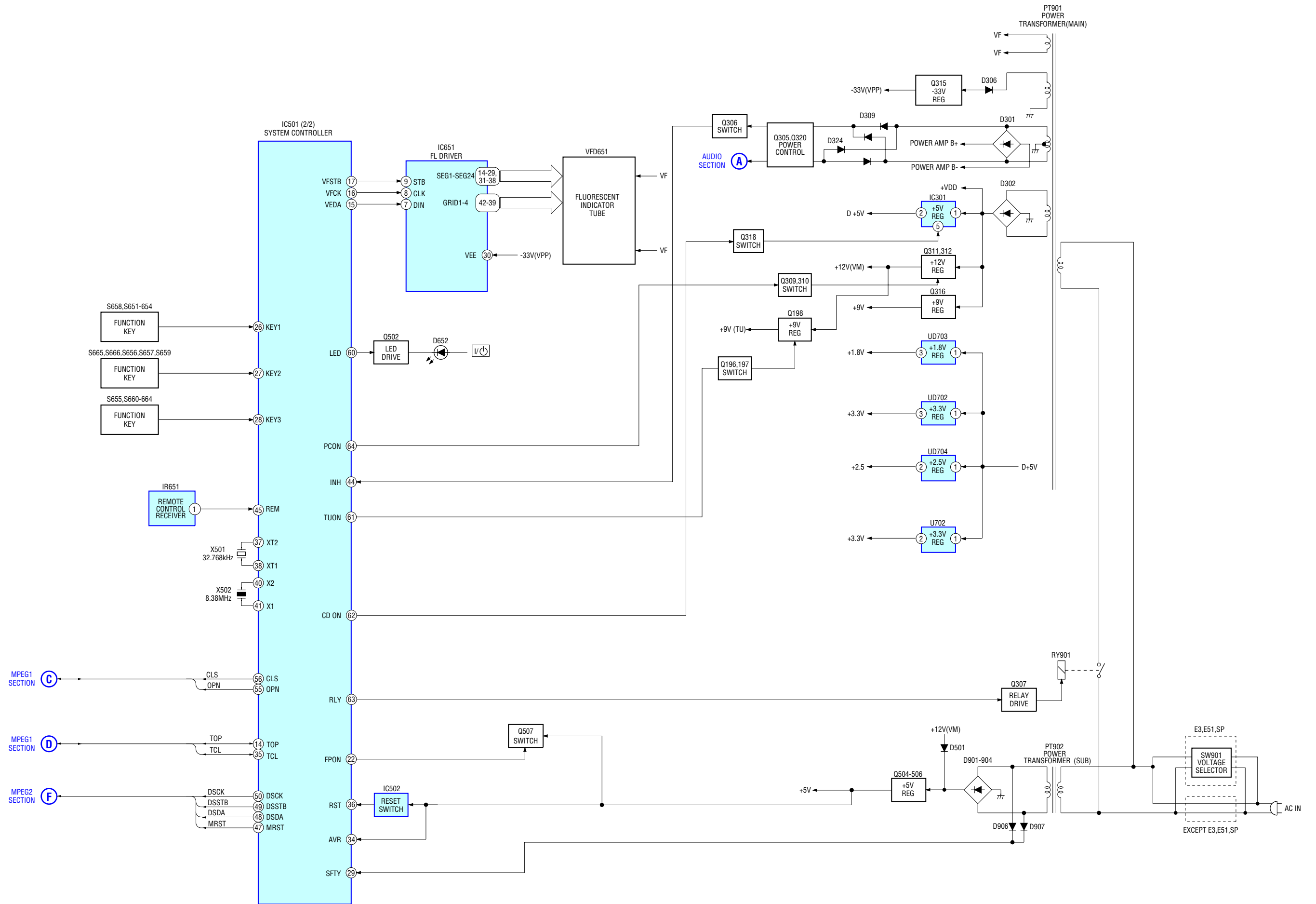


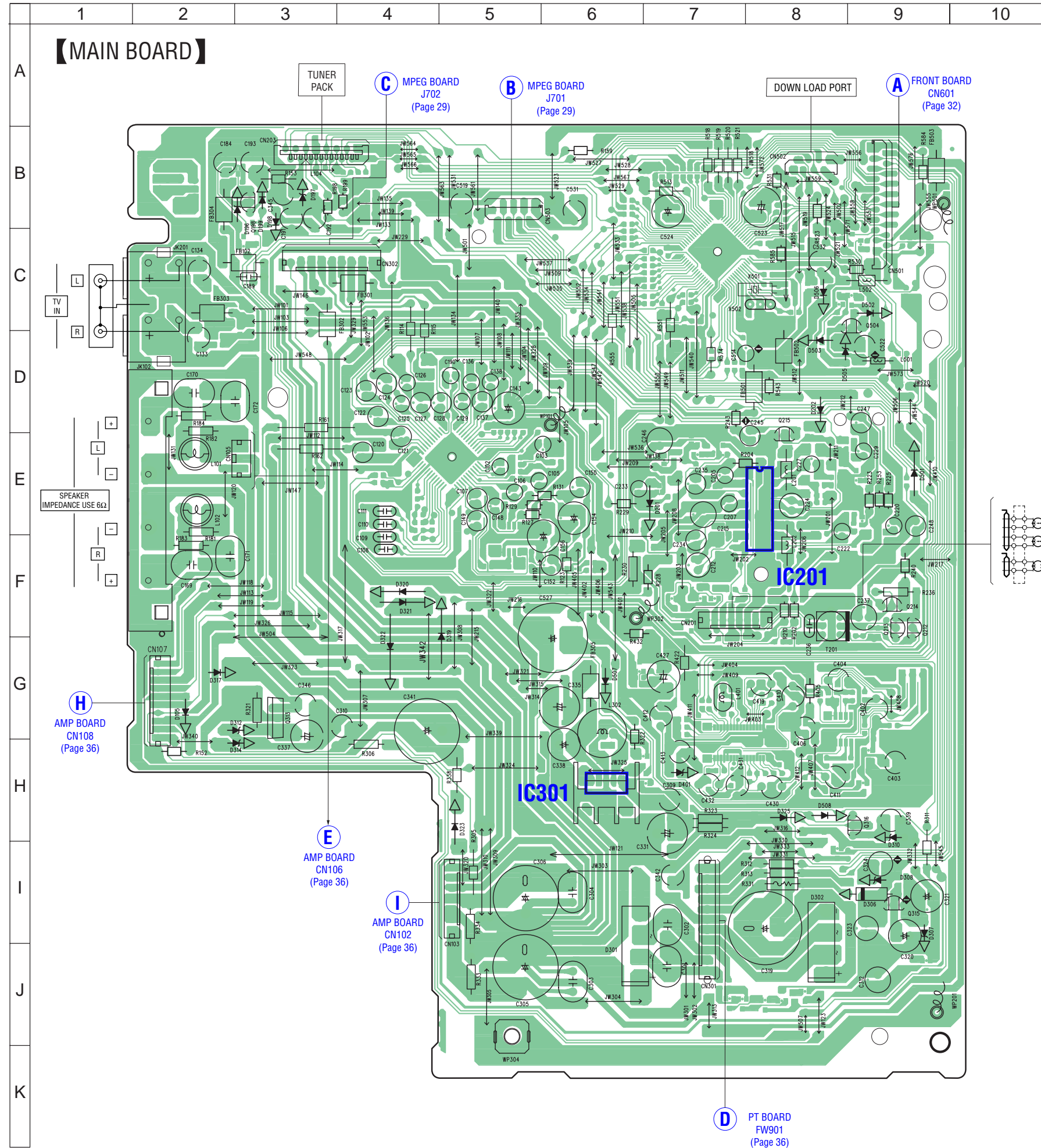
— MPEG-2 SECTION —





— PANEL/POWER SECTION —

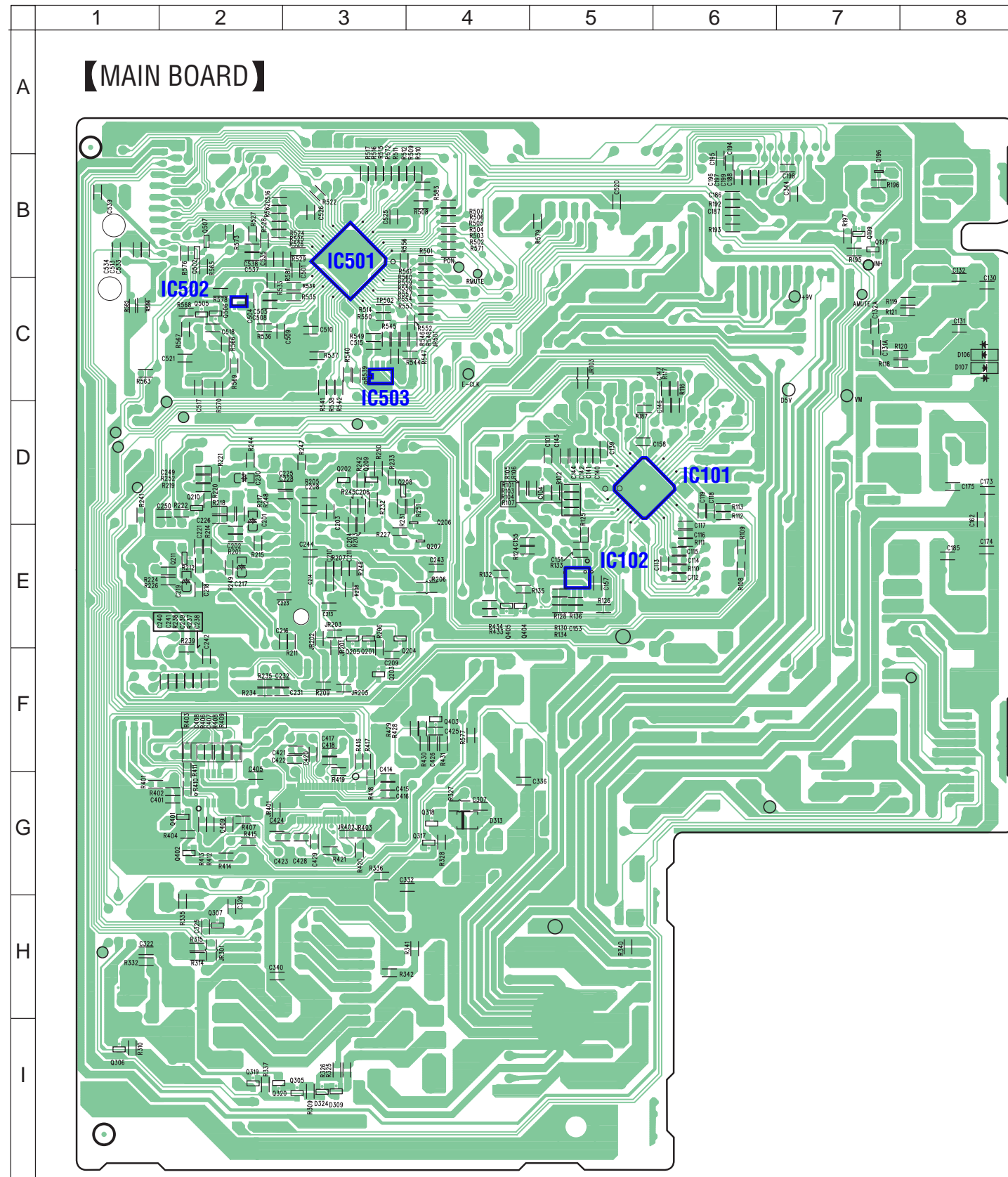




• Semiconductor Location

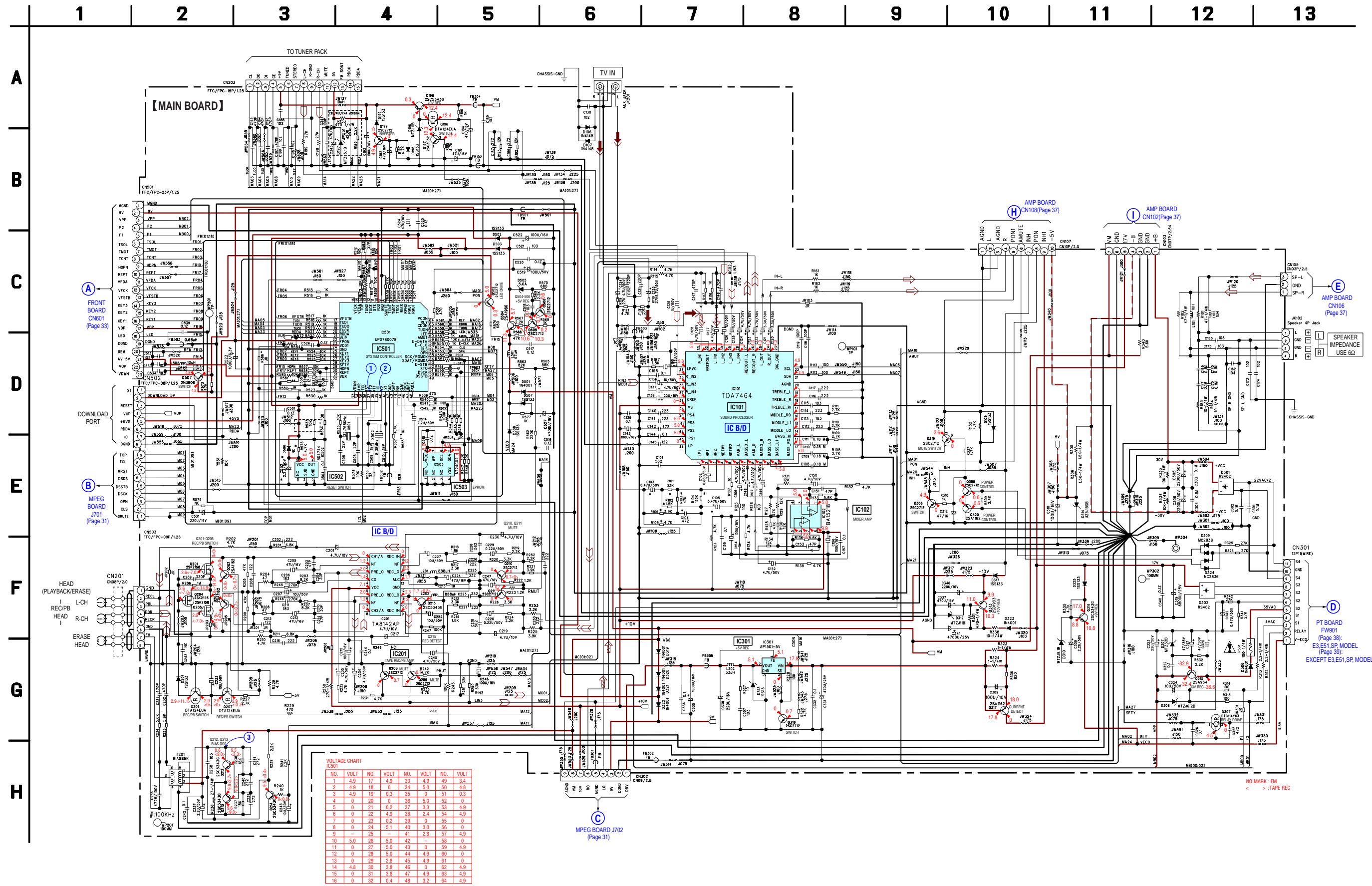
Ref. No.	Location
D105	G-2
D196	B-2
D197	B-3
D198	B-3
D199	B-3
D201	E-7
D301	I-6
D302	I-8
D306	I-8
D307	I-9
D308	I-8
D310	H-9
D312	G-2
D314	H-2
D317	G-2
D319	G-4
D320	F-4
D321	F-4
D322	F-4
D323	H-5
D401	H-7
D501	E-9
D502	C-9
D503	D-8
D505	D-8
D507	G-6
D508	H-8
IC201	E-8
IC301	H-6
Q198	B-3
Q212	F-9
Q213	F-9
Q214	F-9
Q215	D-8
Q313	G-3
Q315	I-9
Q316	H-8
Q504	C-8

7-3. PRINTED WIRING BOARD — MAIN SECTION-2 — • See page 21 for Circuit Boards Location.  :Uses unleaded solder.

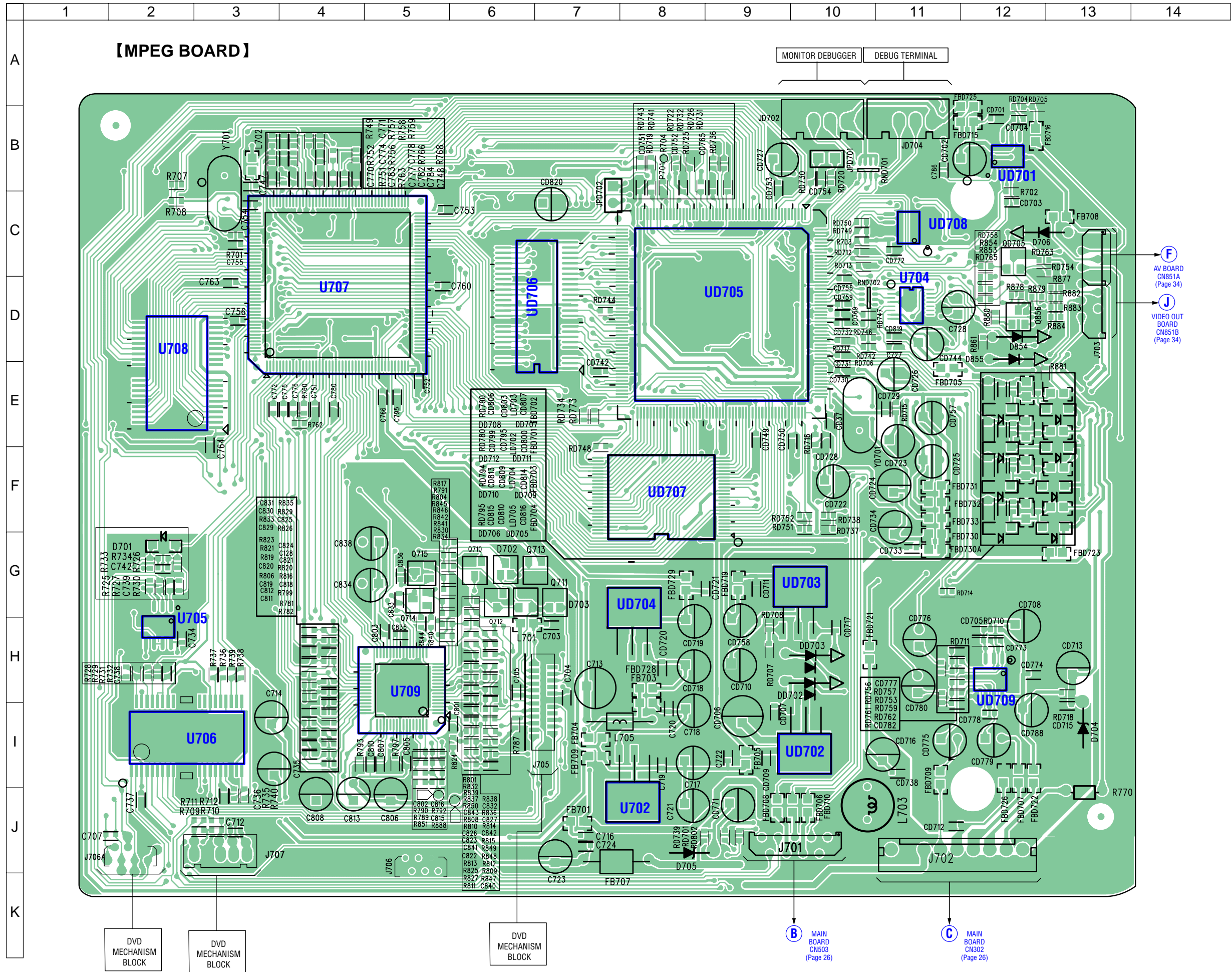


• Semiconductor Location

Ref. No.	Location
D106	C-8
D107	C-8
D309	I-3
D313	G-4
IC101	D-5
IC102	E-5
IC501	B-3
IC502	C-2
IC503	C-3
Q196	B-7
Q197	B-7
Q199	B-7
Q201	F-3
Q202	D-3
Q203	F-3
Q204	F-3
Q205	F-3
Q206	E-4
Q207	E-4
Q208	D-3
Q209	D-3
Q210	D-2
Q211	E-2
Q305	I-3
Q306	I-1
Q307	H-2
Q317	G-4
Q318	G-4
Q319	I-2
Q502	B-2
Q505	C-2
Q506	C-2
Q507	B-2



7-5. PRINTED WIRING BOARD — MPEG SECTION-1 — • See page 21 for Circuit Boards Location.  :Uses unleaded solder.



• Semiconductor Location

Ref. No.	Location
D701	G-2
D702	G-6
D703	G-7
D704	I-13
D705	J-8
D706	C-12
DD702	H-10
DD703	H-10
DD705	F-13
DD706	F-12
DD707	E-13
DD708	E-12
DD709	F-13
DD710	F-6
DD711	F-6
DD712	F-6
Q710	G-6
Q711	G-6
Q712	G-6
Q713	G-7
Q714	G-5
Q715	G-5
QD705	D-12
U702	J-8
U704	D-11
U705	H-2
U706	I-3
U707	D-4
U708	D-2
U709	H-5
UD701	B-12
UD702	I-10
UD703	G-9
UD704	G-8
UD705	D-9
UD706	D-6
UD707	F-8
UD708	C-11
UD709	H-12

F AV BOARD
CN851A
(Page 34)

J VIDEO OUT
BOARD
CN851B
(Page 34)

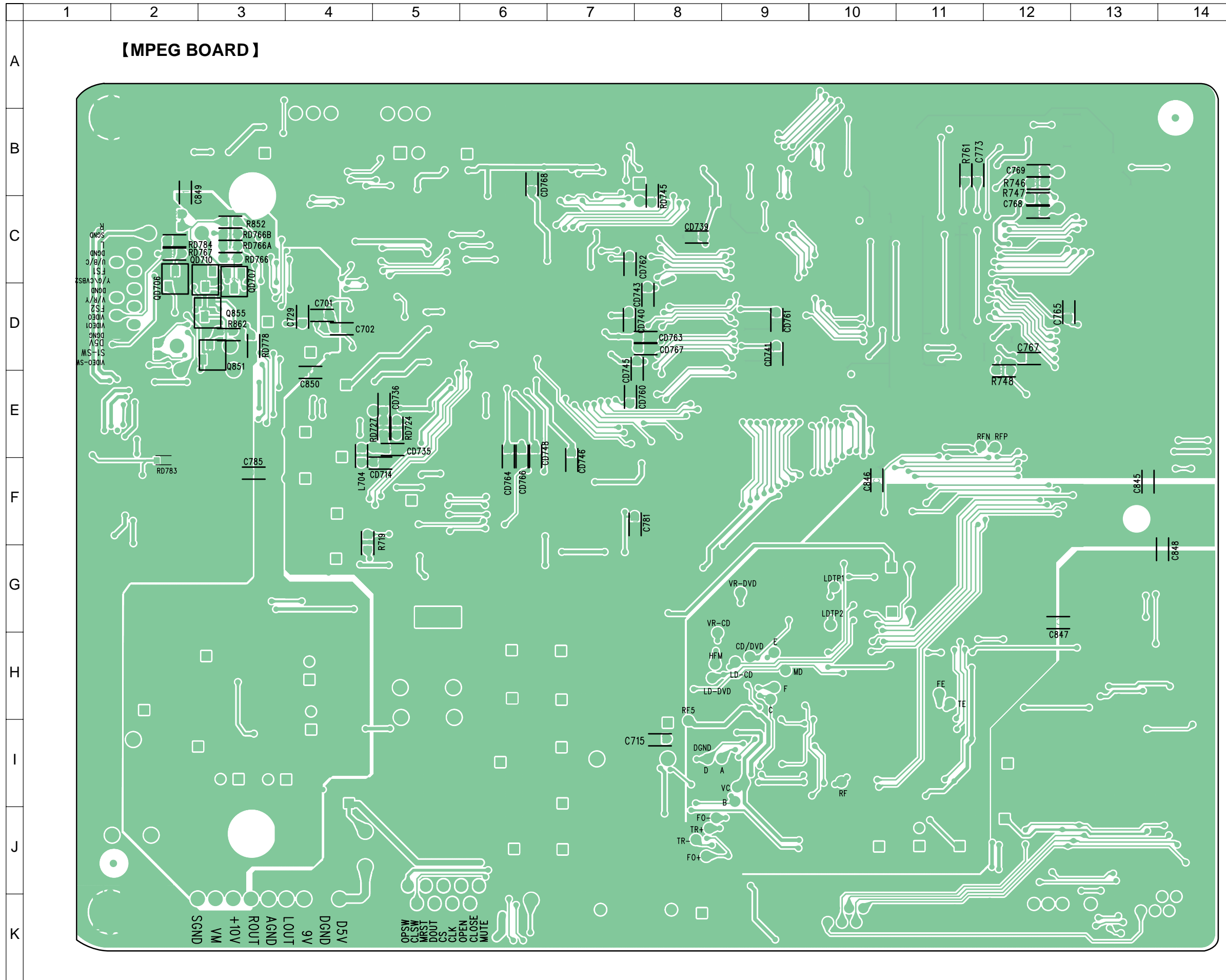
B MAIN BOARD
CN503
(Page 26)

C MAIN BOARD
CN302
(Page 26)

DVD MECHANISM BLOCK

DVD MECHANISM BLOCK

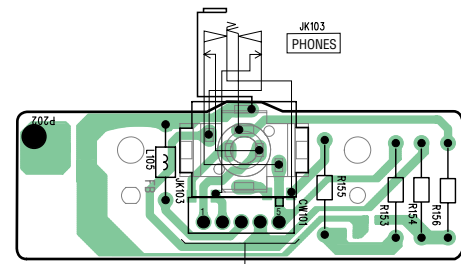
DVD MECHANISM BLOCK



1 2 3 4 5 6 7 8 9 10 11 12 13 14 15 16

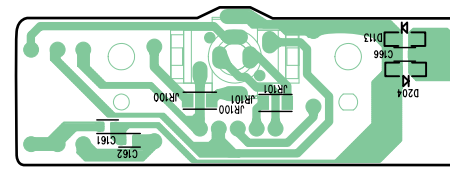
A
B
C
D
E
F
G
H
I
J
K
L

【HP BOARD】

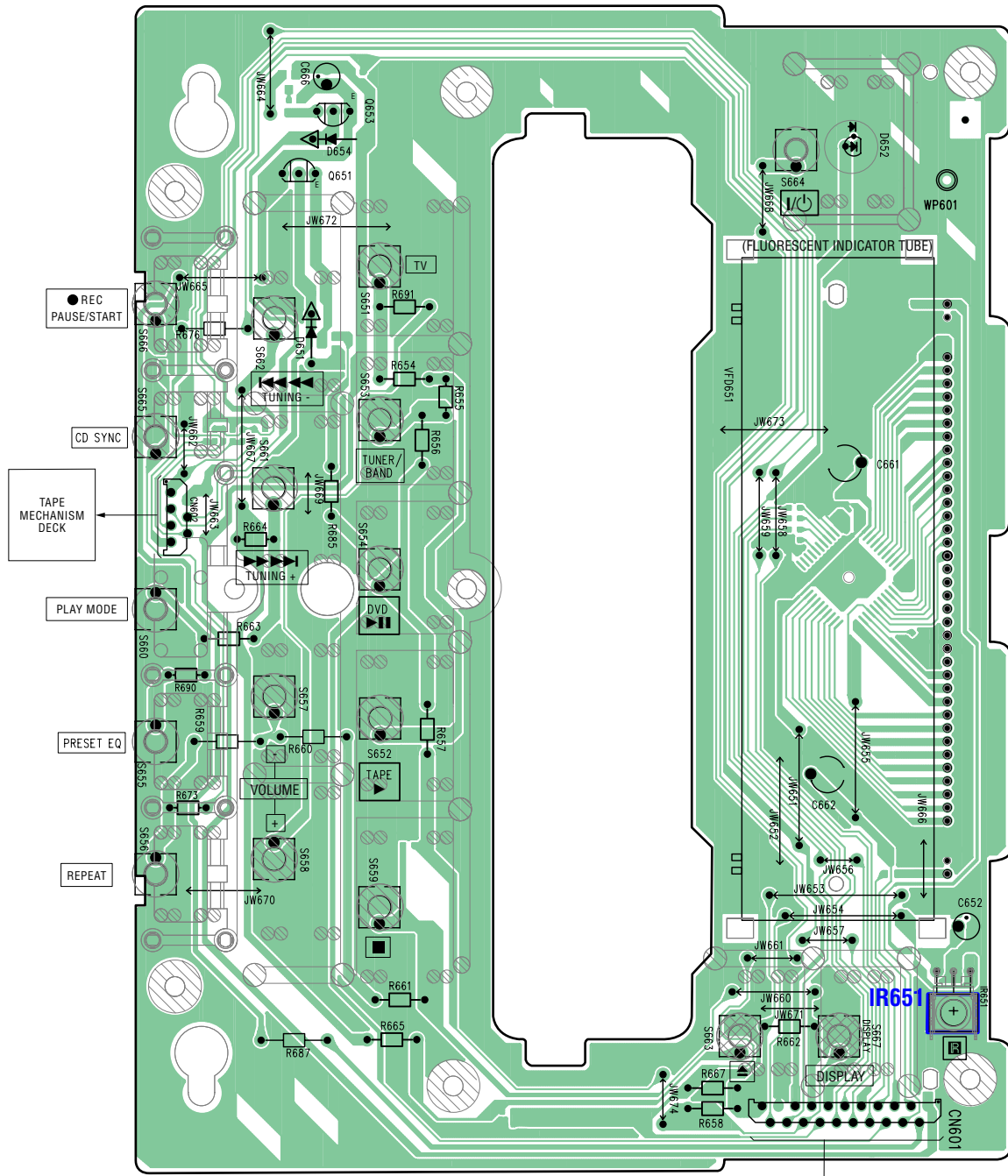


K AMP BOARD CN101(Page 36)

【HP BOARD】

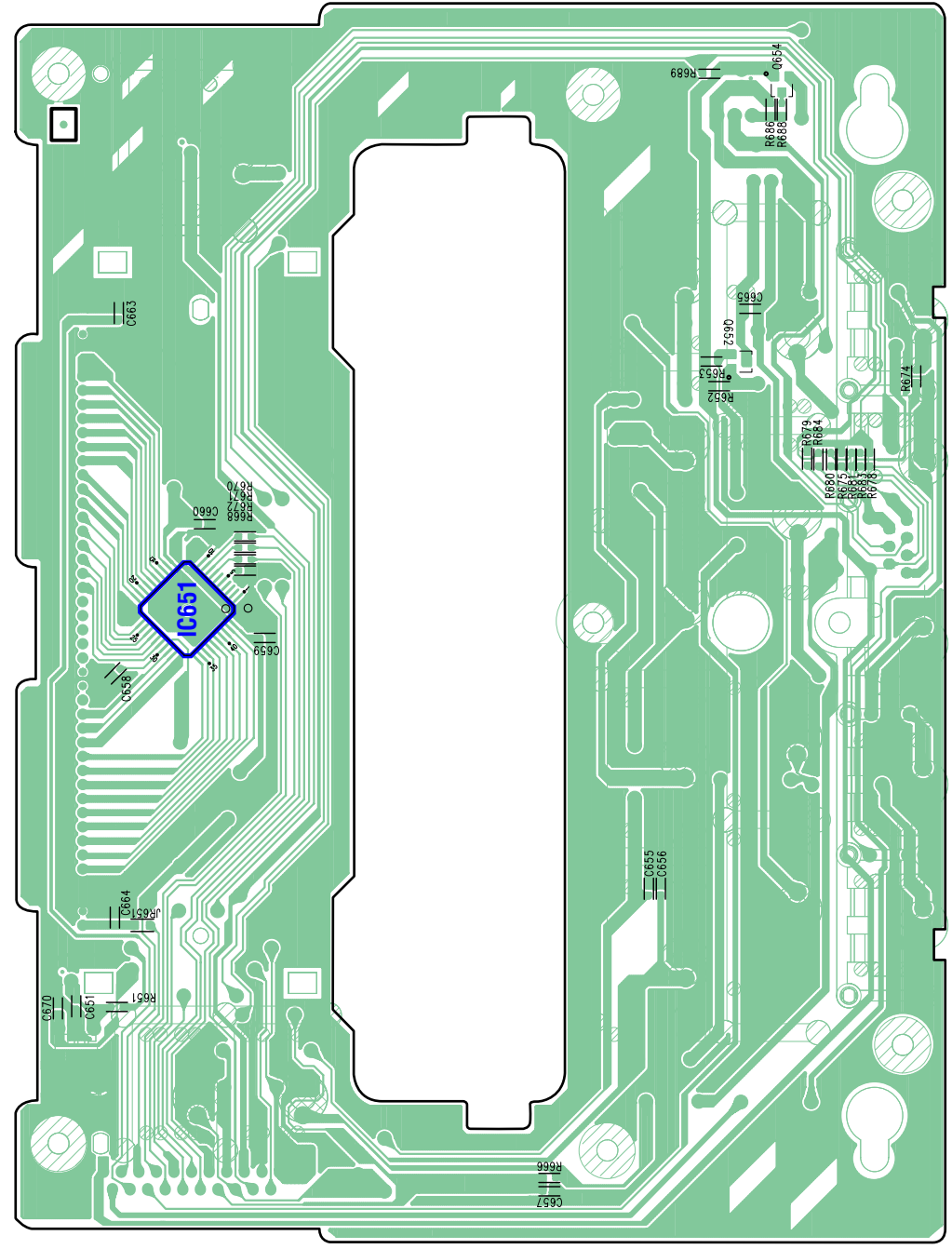


【FRONT BOARD】

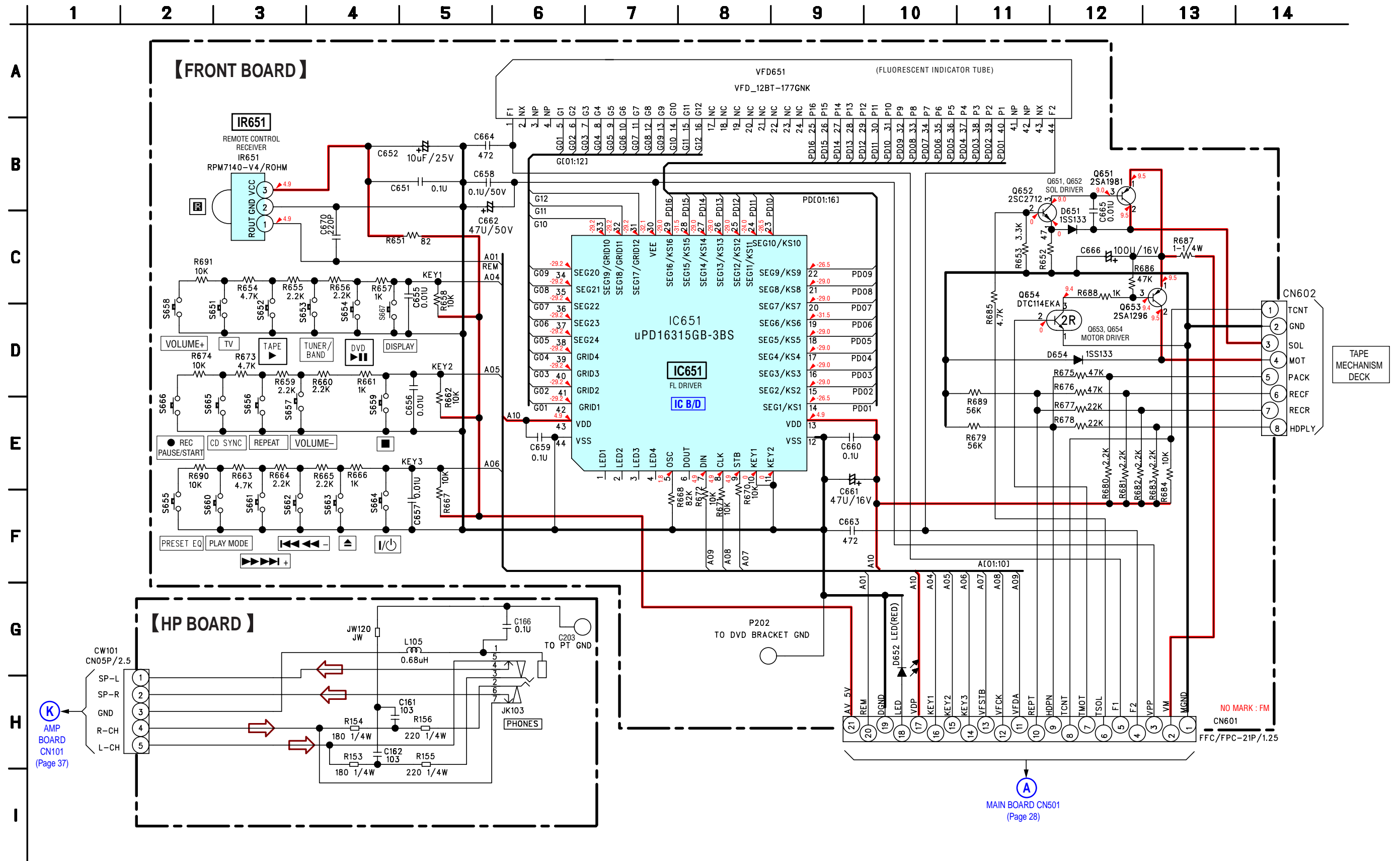


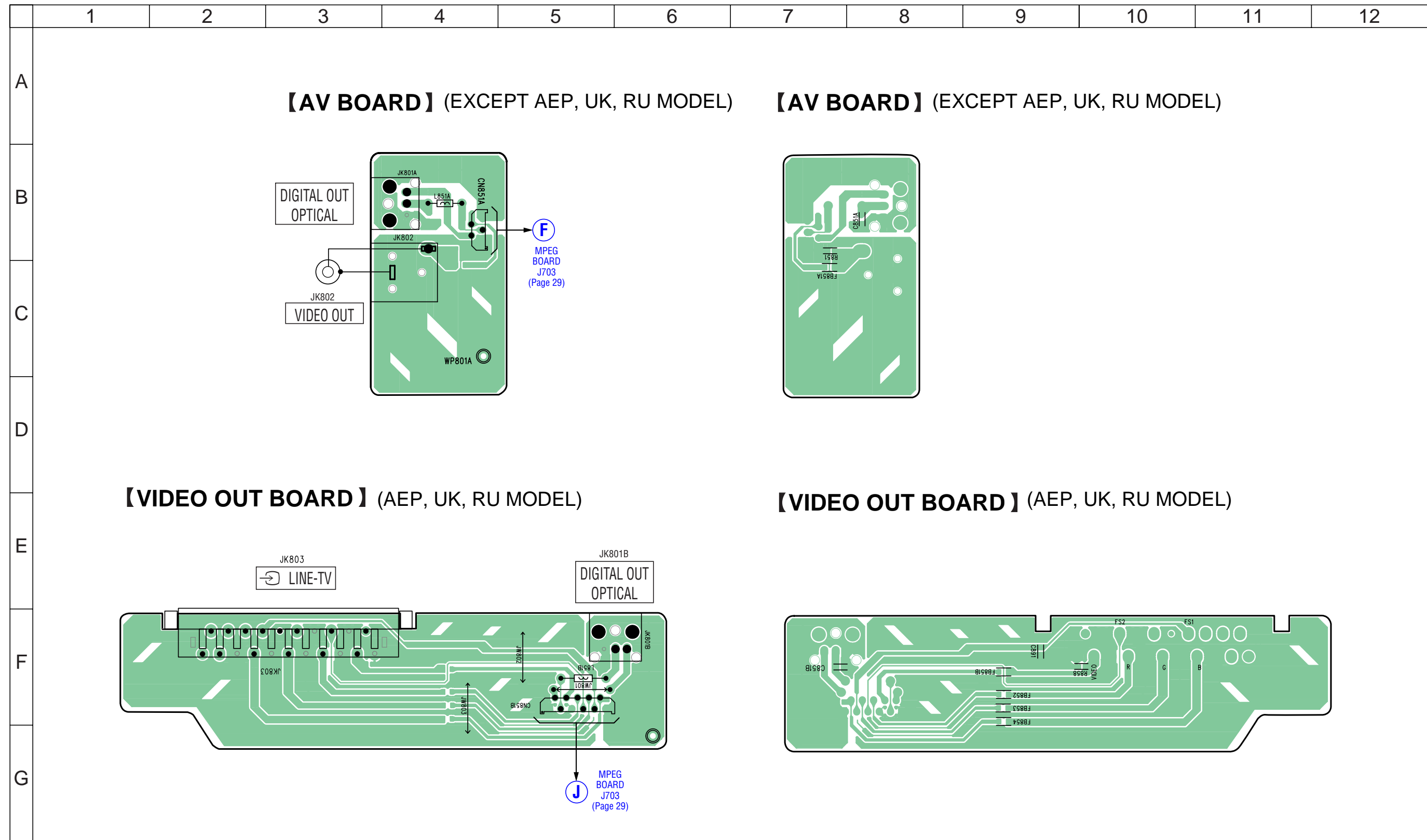
A MAIN BOARD CN501 (Page 26)

【FRONT BOARD】

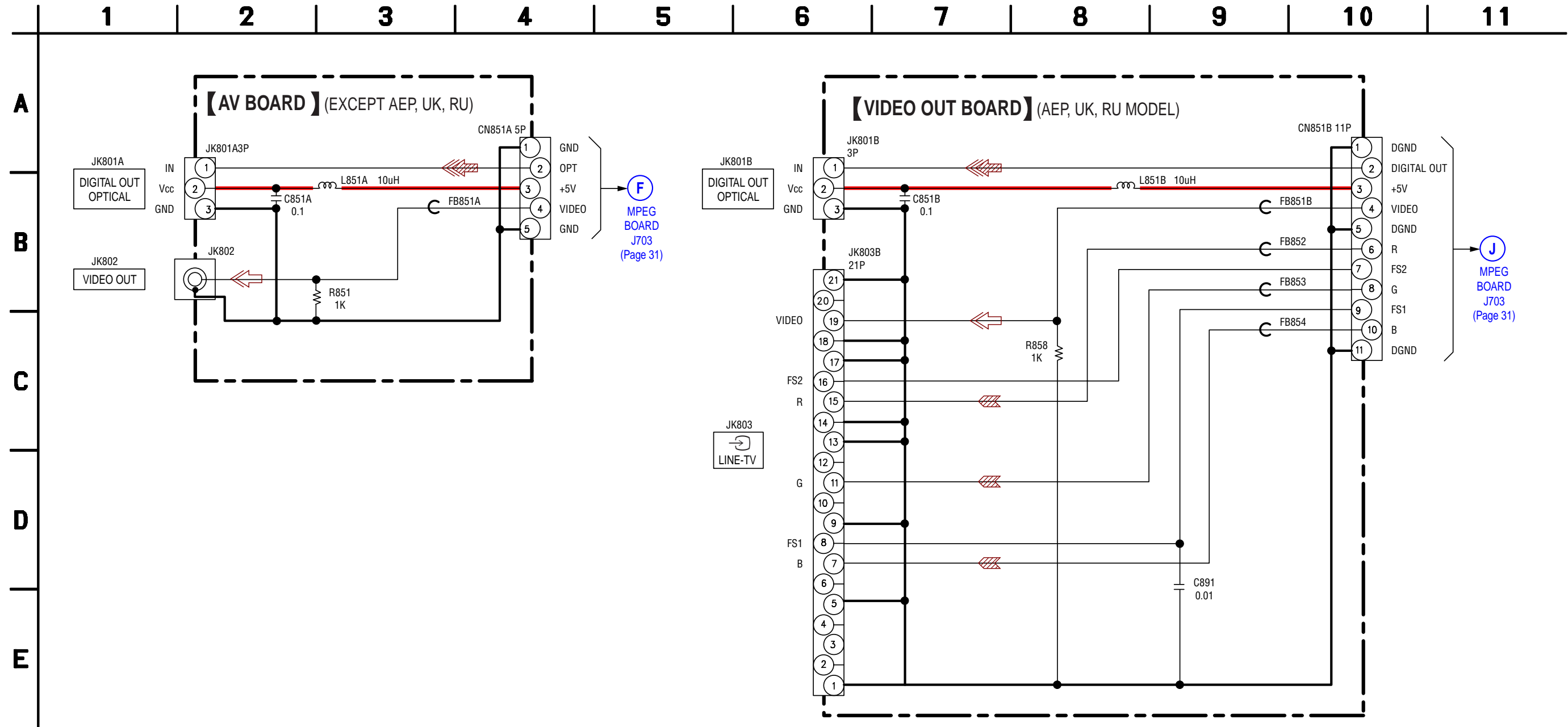


7-9. SCHEMATIC DIAGRAM — FRONT SECTION — • See page 40 for IC Block Diagram.





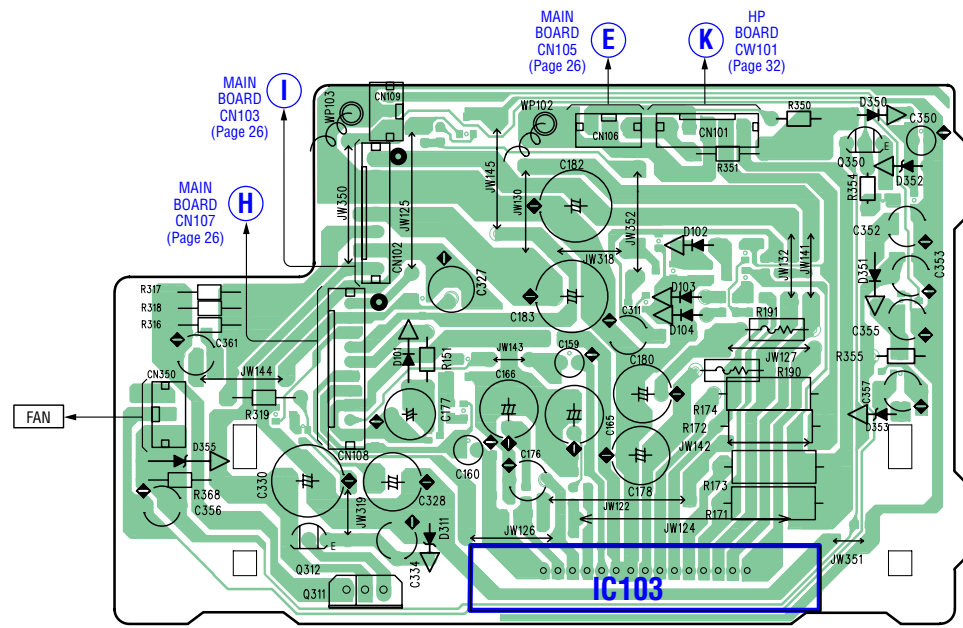
7-11. SCHEMATIC DIAGRAM — AV/VIDEO OUT SECTION —



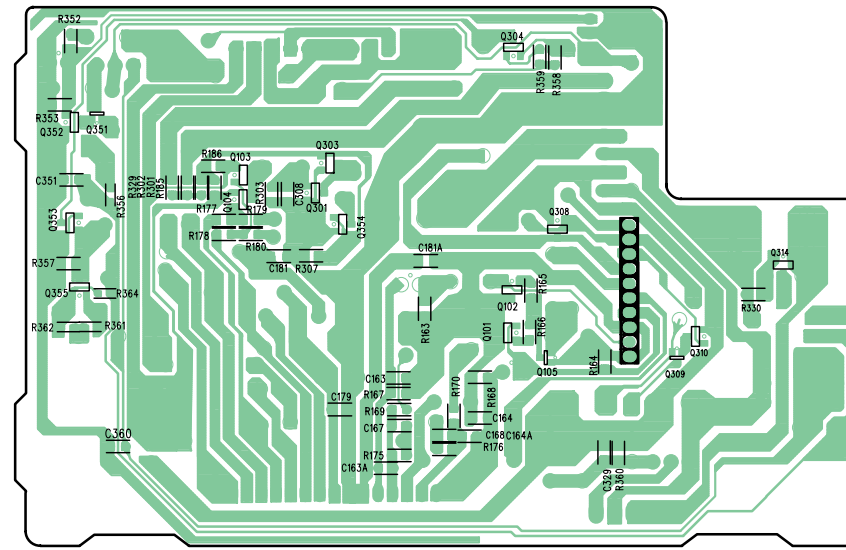
	1	2	3	4	5	6	7	8	9	10	11	12
--	---	---	---	---	---	---	---	---	---	----	----	----

A

[AMP BOARD]



[AMP BOARD]

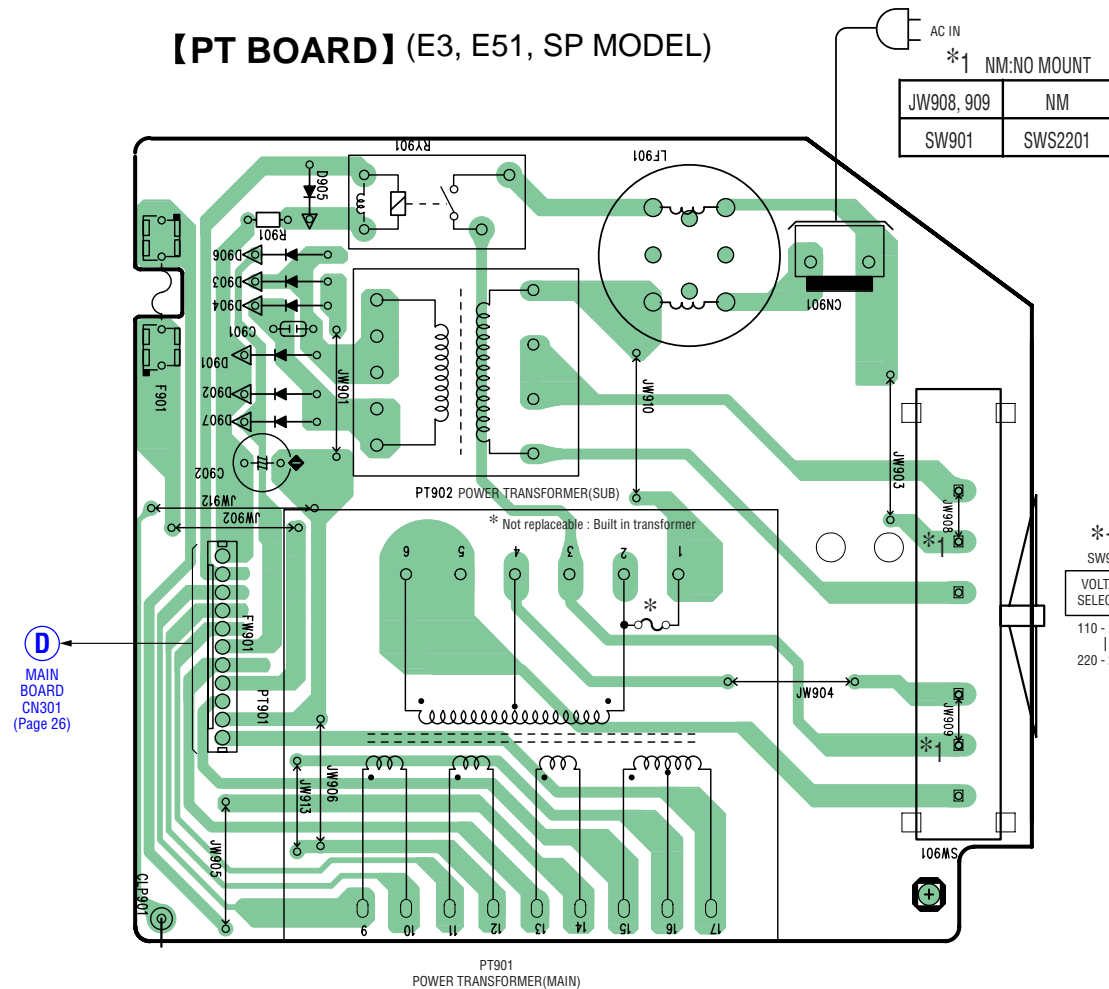


• **Semiconductor Location**

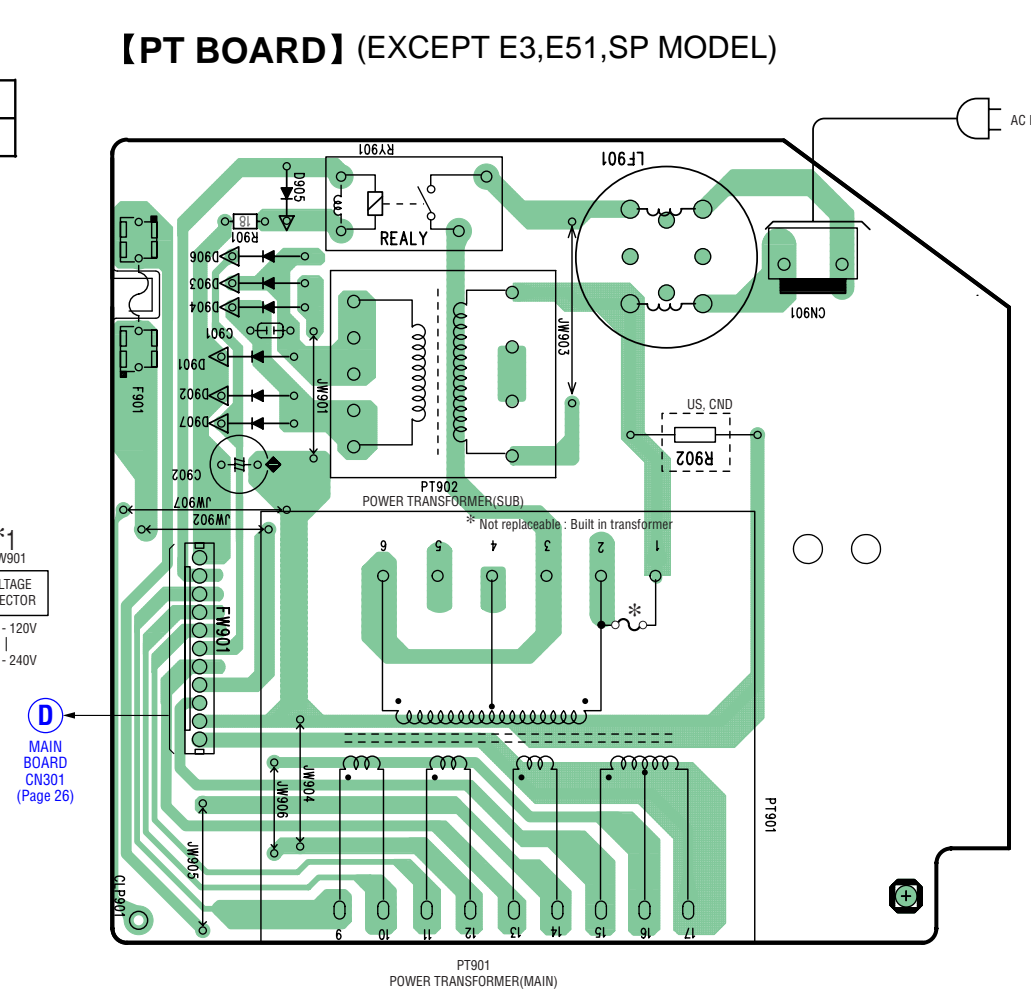
Ref. No.	Location
D101	C-3
D102	C-4
D103	C-4
D104	C-4
D311	D-3
D351	C-6
IC103	D-4
Q101	C-10
Q102	C-10
Q103	C-9
Q104	C-9
Q105	C-10
Q301	C-9
Q303	C-9
Q304	B-10
Q308	C-10
Q309	D-11
Q310	D-11
Q311	E-3
Q312	D-2
Q314	C-11

E

[PT BOARD] (E3, E51, SP MODEL)



[PT BOARD] (EXCEPT E3, E51, SP MODEL)



(E3, E51, SP MODEL)

• **Semiconductor Location**

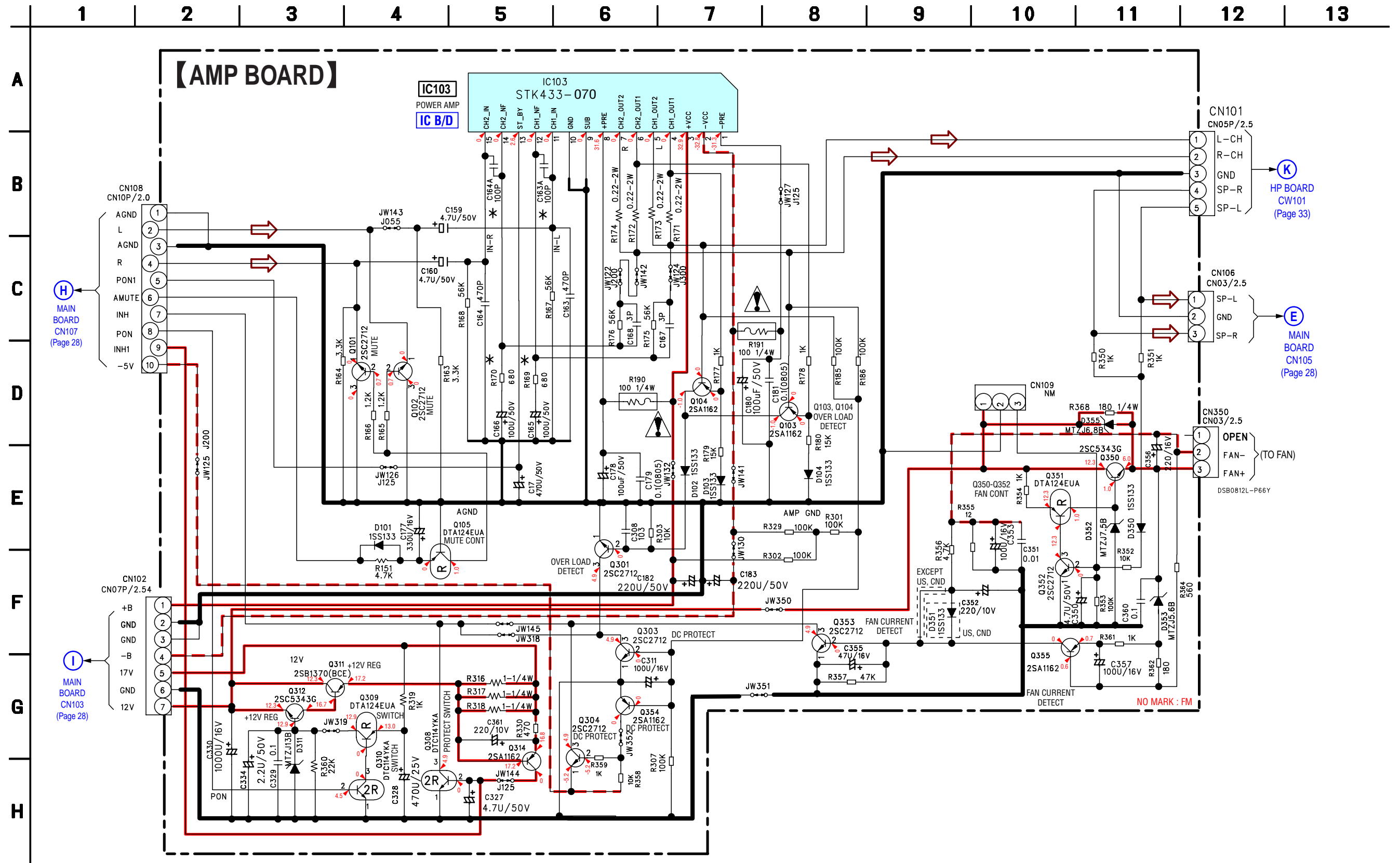
Ref. No.	Location
D901	G-2
D902	H-2
D903	G-2
D904	G-2
D905	F-3
D906	G-2
D907	H-2

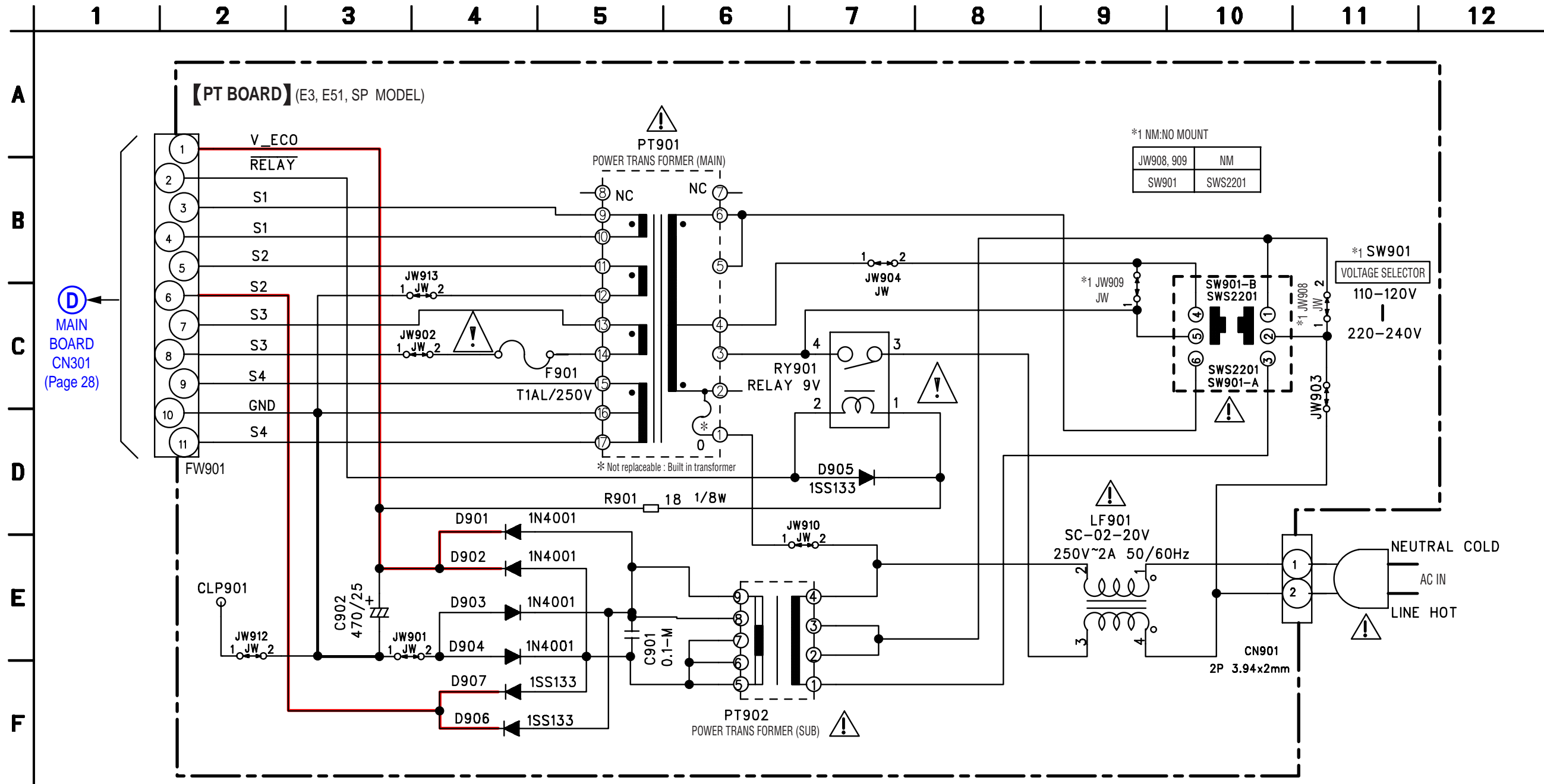
(EXCEPT E3, E51, SP MODEL)

• **Semiconductor Location**

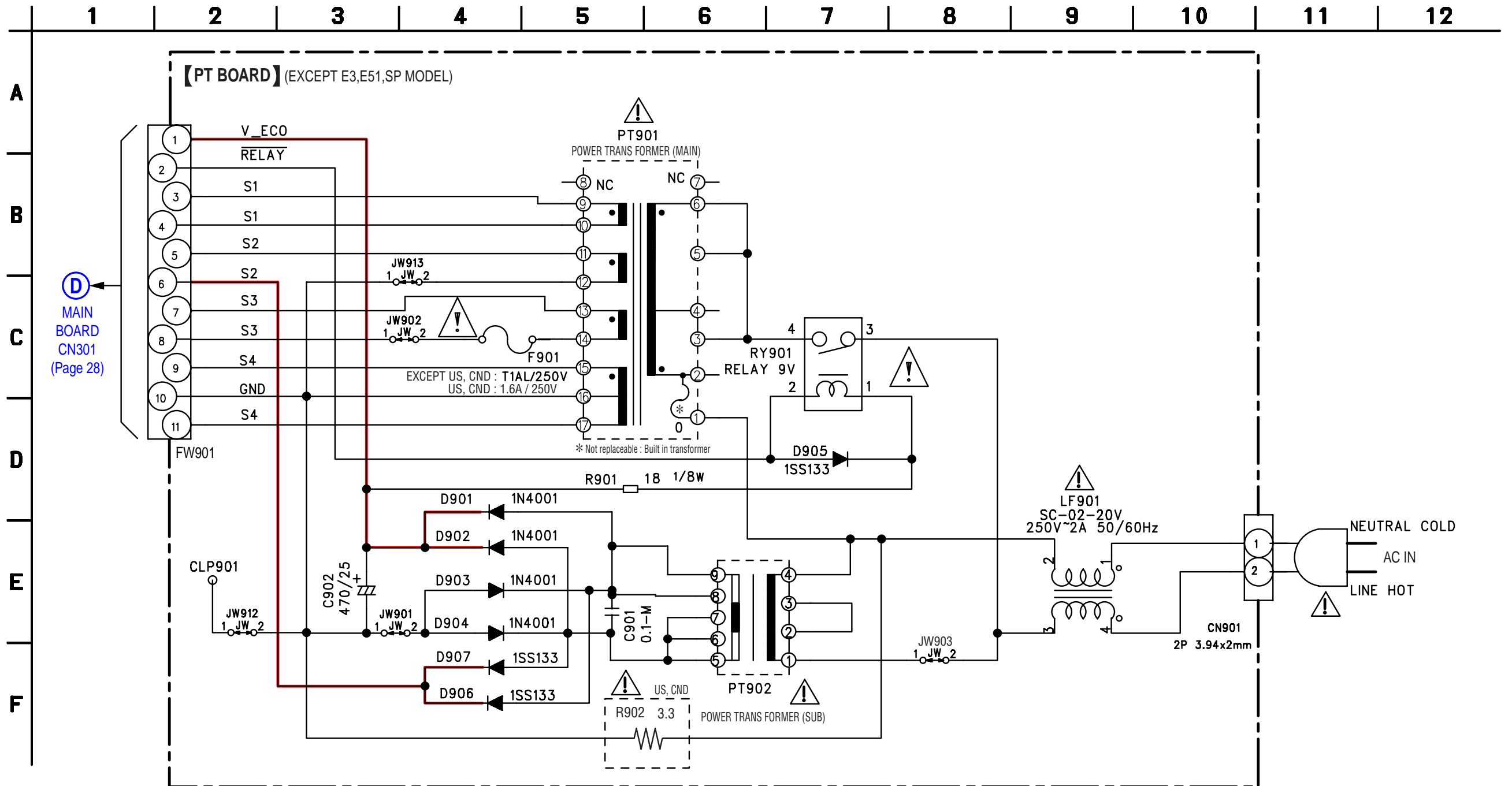
Ref. No.	Location
D901	G-8
D902	H-8
D903	G-8
D904	G-8
D905	F-8
D906	G-8
D907	H-8

7-13. SCHEMATIC DIAGRAM — AMP SECTION — • See page 44 for IC Block Diagram.

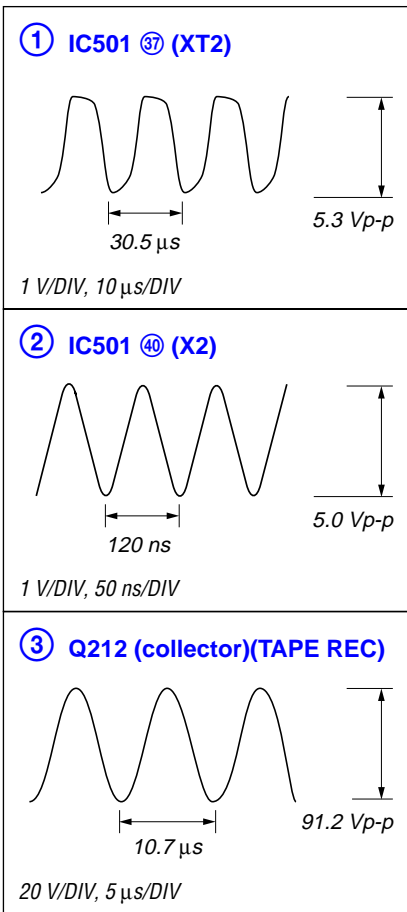




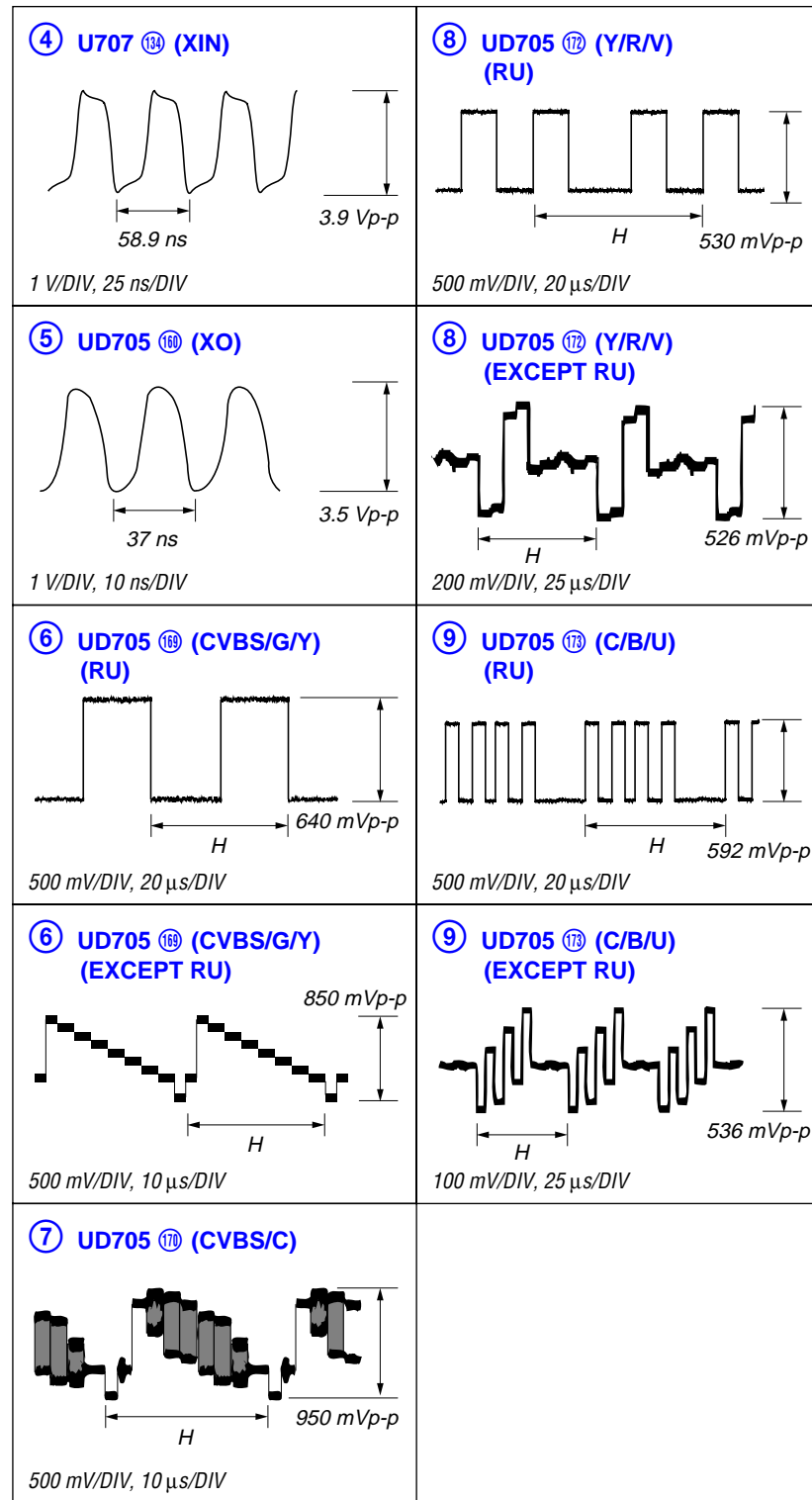
7-15. SCHEMATIC DIAGRAM — PT SECTION (EXCEPT E3, E51, SP MODEL) —



• Waveforms
– MAIN Board –

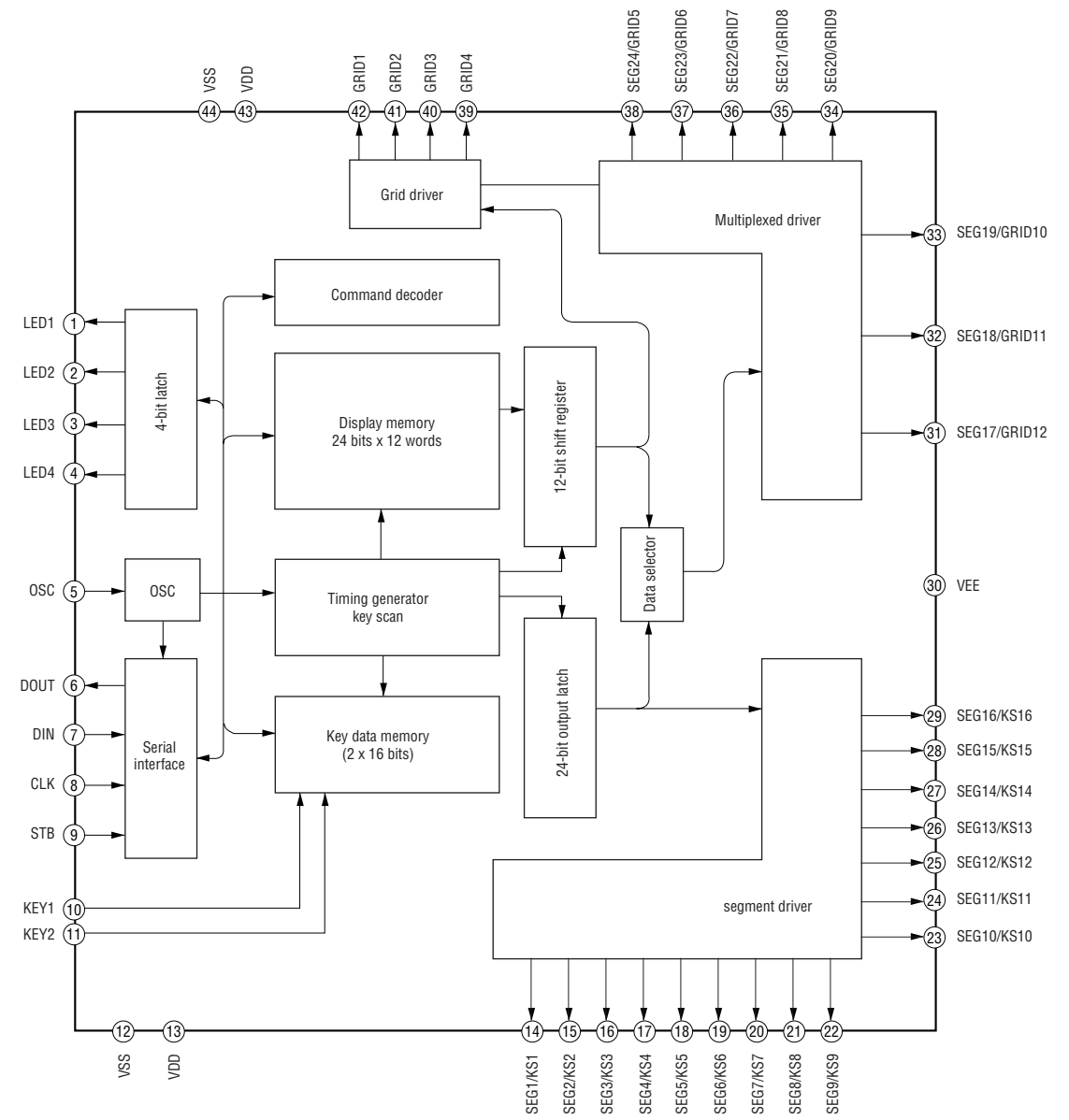


– MPEG Board –



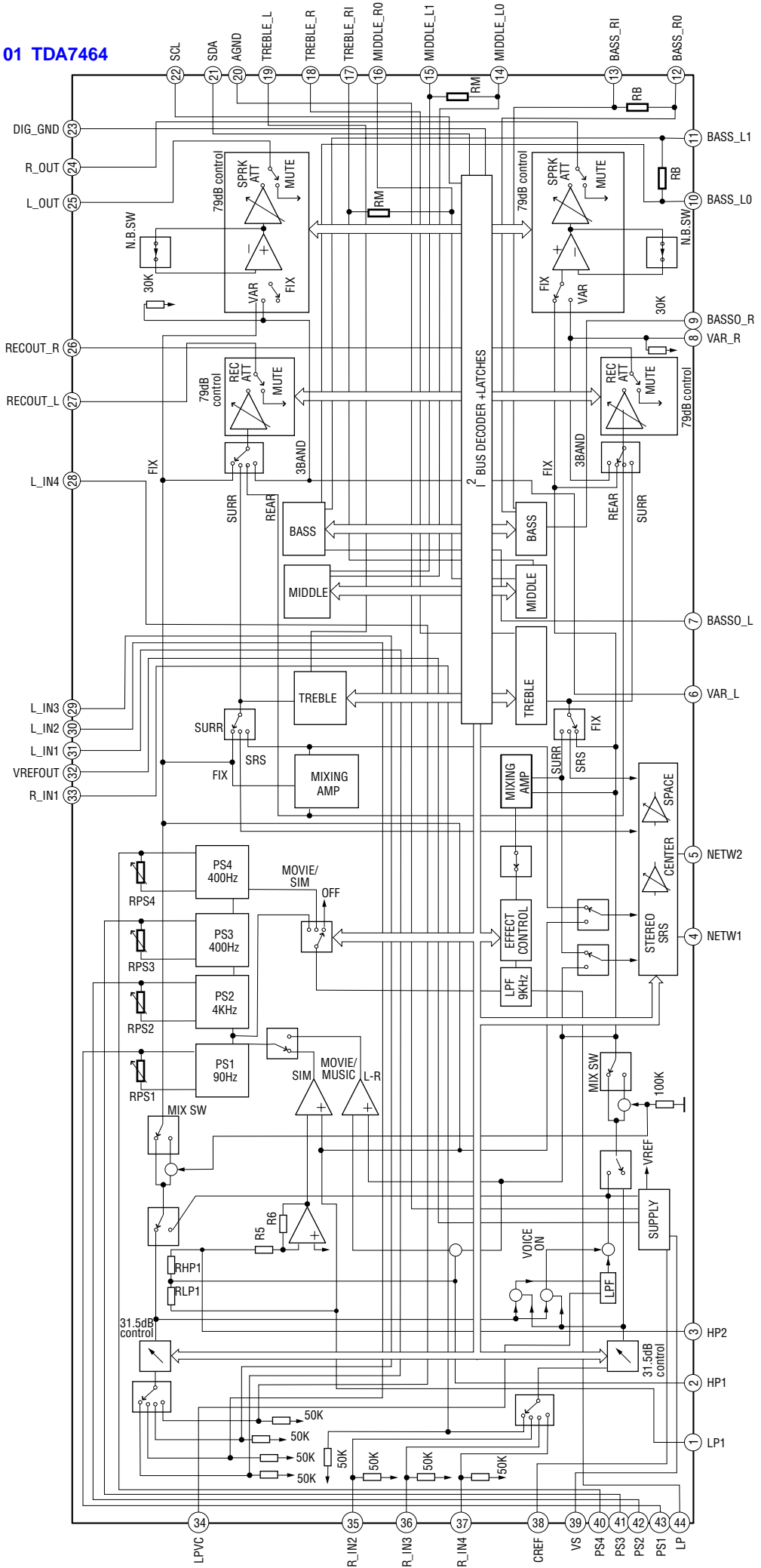
• IC Block Diagrams
– FRONT Board –

IC651 uPD16315GB-3BS

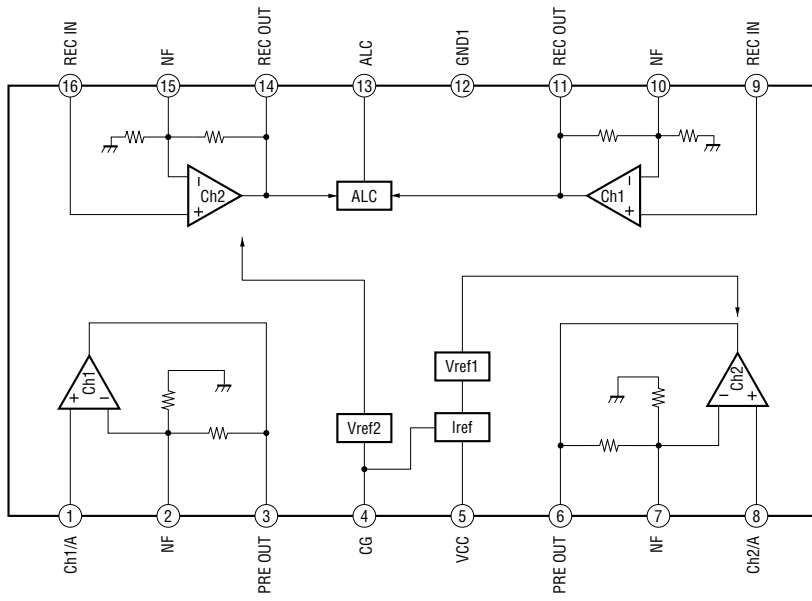


- MAIN Board -

IC101 TDA7464

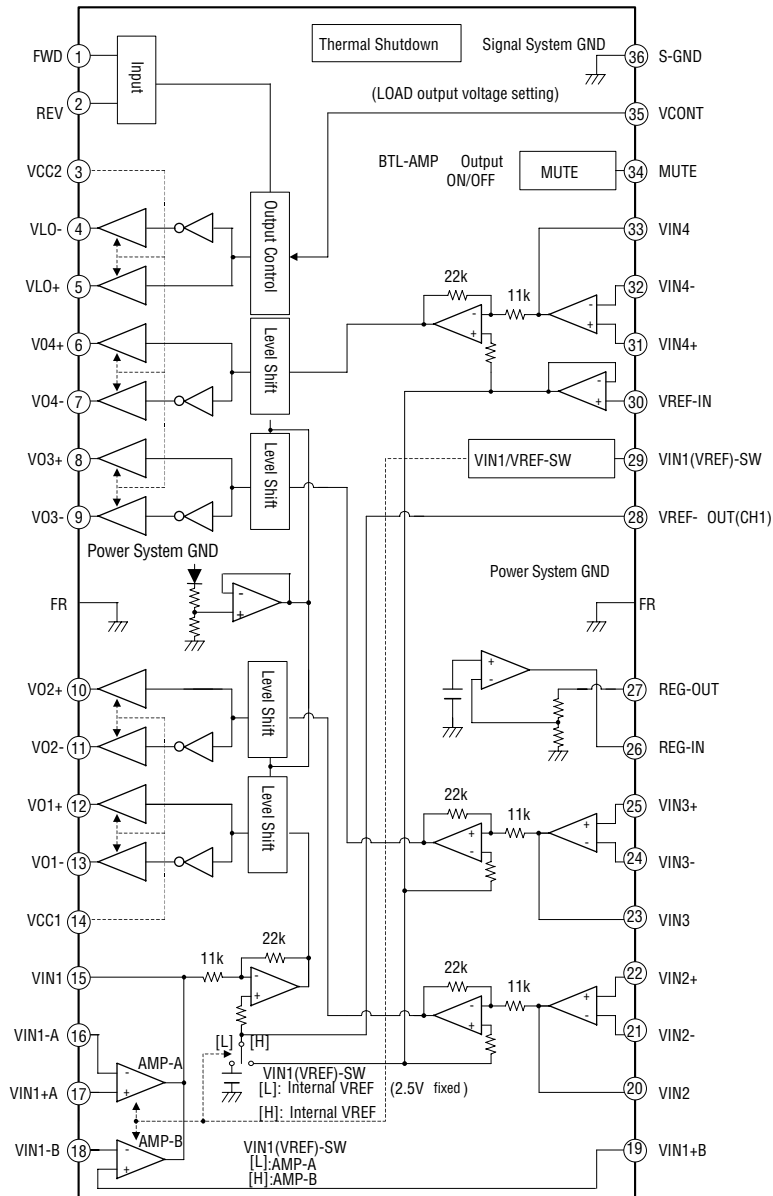


IC201 TA8142AP

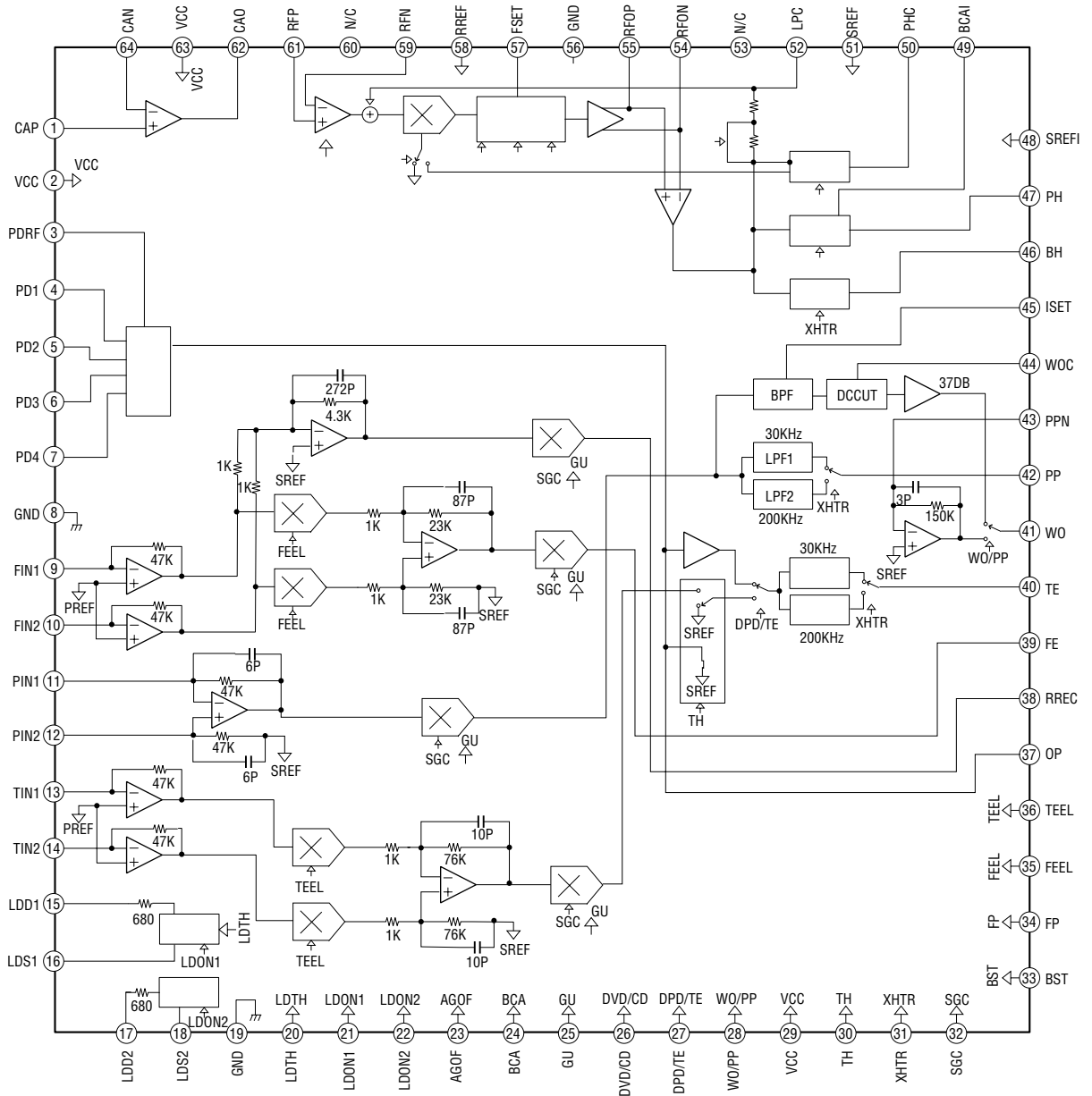


- MPEG Board -

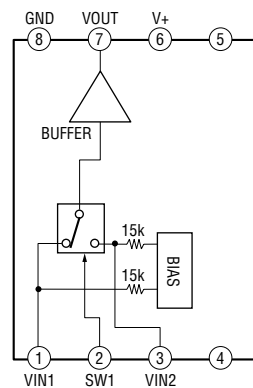
U706 LA6560-TE-L-E



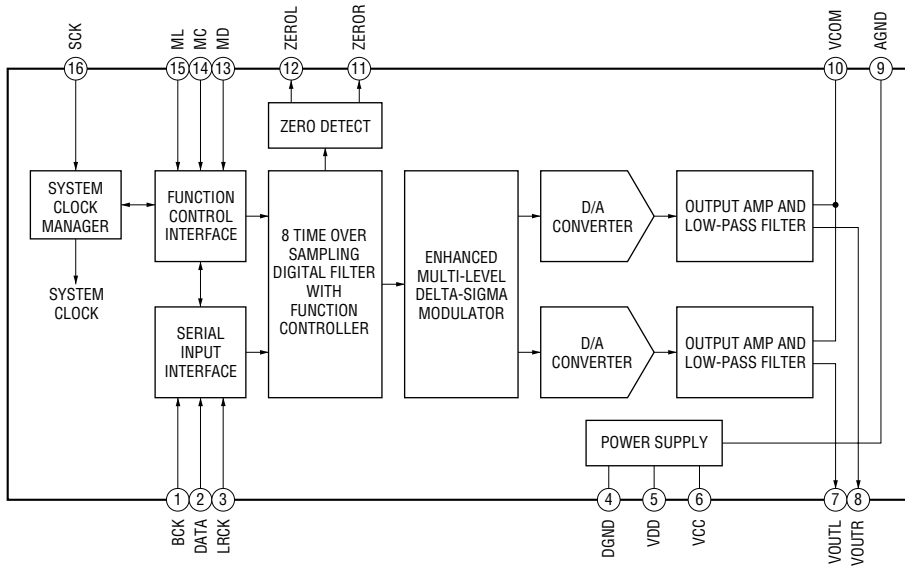
U709 LA9703W



UD701 NJM2233BM-T1

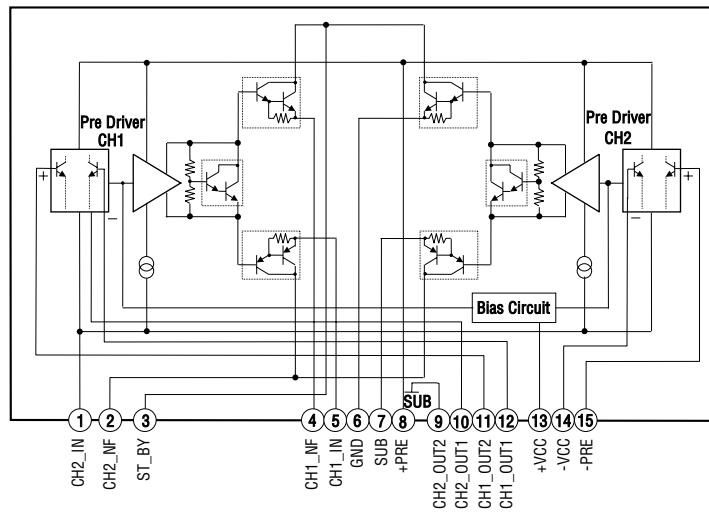


U704 PCM1748E/2K



– AMP Board –

IC103 STK433-070



• IC Pin Function Description

MAIN BOARD IC501 μ PD78007 (SYSTEM CONTROLLER)

Pin No.	Pin Name	I/O	Description
1	RMUT	O	Tuner muting signal output
2	PMUT	O	Tape PLAY muting signal output
3	RPHD	O	REC/PLAY control signal output
4	BIAS	O	BIAS ON/OFF control signal output
5	TSOL	O	Tape solenoid control signal output
6	TMOT	O	Tape motor control signal output
7	TCNT	O	Tape control signal output
8	SMUTE	I	Not used Fixed at "L" in this set.
9	GND	—	Ground terminal
10	VDD	—	Power supply terminal (+5V)
11	STE	I	Stereo signal input
12	TUCE	O	Chip enable signal output to the tuner
13	TUND	I	Tuning signal input from the tuner
14	TOP	O	DVD/CD tray open control signal output
15	VEDA	O	Chip select output to the FL driver
16	VFCK	O	Clock output to the FL driver
17	VFSTB	O	Data output to the FL driver
18	TUDI	O	Data output to the tuner
19	TUDO	I	Data input from the tuner
20	TUCK	O	Clock output to the tuner
21	RDDA	O	Strobe signal input to the tuner
22	VUP	I	Volume up input
23	FPON	O	FL power supply control signal output
24	VDDI	—	Power supply terminal (+5V)
25	GND	—	Ground terminal
26	KEY1	I	Function key input
27	KEY2	I	Function key input
28	KEY3	I	Function key input
29	SFTY	I	AC cut detect signal input
30	HDPN	I	Tape SW (PACK, HDPLY) signal input
31	REPT	I	Tape SW (RECF, RECR) signal input
32	VER	I	Not used Fixed at "L" in this set.
33	VDWN	I	Volume down input
34	AVR	—	Reference voltage terminal
35	TCL	O	DVD/CD tray close control signal output
36	RST	I	System reset signal input
37	XT2	I	Subclock input (32.768KHz)
38	XT1	O	Subclock output (32.768KHz)
39	IC	—	Not used
40	X2	I	Main system clock input (8.38MHz)
41	X1	O	Main system clock output (8.38MHz)
42	GND	—	Ground terminal
43	SHFT	—	Not used Fixed at "L" in this set.
44	INH	I	Power down detect signal input
45	REM	I	SIRCS signal input from the remote control receiver
46	RDCK	O	RDCK signal output to the tuner
47	MRST	I	MPEG flash memory reset signal input

Pin No.	Pin Name	I/O	Description
48	DSDA	O	DAC encoder data signal output
49	DSSTB	O	DAC encoder chip enable signal output
50	DSCK	O	DAC encoder clock signal output
51	XTO	—	Not used
52	E-STB	O	Chip enable output to the microphone echo
53	SDAT/ROM DA	O	Data output to the soundprocessor
54	SCK/ROM CK	O	Clock output to the soundprocessor
55	OPN	O	Loading motor FWD control signal output
56	CLS	O	Loading motor REV control signal output
57	E-CLK	O	Clock output to the microphone echo
58	E-DATA	O	Data output to the microphone echo
59	AMUTE	O	Audio line muting signal output
60	LED	O	LED control signal output
61	TUON	O	Tuner power supply control signal output
62	CD ON	O	CD power supply control signal output
63	RLY	O	Relay control signal output
64	PCON	O	Power supply control signal output

MPEG BOARD UD705 ZR36748 (VIDEO DAC ENCODER)

Pin No.	Pin Name	I/O	Description
1	VDDP	—	Power supply terminal (+3.3V)
2	DUPRD	—	Not used
3	BOOTSEL2	—	Not used
4	GPCI014	I	LSI RST signal input from the AV decoder
5	GPCI013	—	Not used
6	GPCI012	—	Not used
7	SSCRRO/CPC1011	I	Chip enable signal input from the system controller
8	SSCRRO/CPC1010	I	Clock signal input from the system controller
9 to 14	ATDD5 to 10	I	DVD (RF) signal input from the AV decoder
15	GNDP	—	Ground terminal
16	ATDD4	I	DVD (RF) signal input from the AV decoder
17	VDDP	—	Power supply terminal (+3.3V)
18	ATDD11	I	DVD (RF) signal input from the AV decoder
19	ATDD3	I	DRFO signal input from the AV decoder
20	ATDD12	I	DACK signal input from the AV decoder
21	ATDD2	I	DFFR signal input from the AV decoder
22	ATDD13	I	DBGN signal input from the AV decoder
23	ATDD1	I	DCLK signal input from the AV decoder
24	ATDD14	—	Not used
25	ATDD0	I	DMUTE signal input
26	ATDD15	O	DVD tray open signal output
27	ATIOW	O	DVD tray close signal output
28	VDDC	—	Power supply terminal (+1.8V)
29	ATIOR	O	LMTSW signal output from the AV decoder
30	GNDP	—	Ground terminal
31	ATIORD	I	RDY signal input
32	ATIOFFRO	—	Not used
33	GNDP	—	Ground terminal
34	ATDA2	O	RF servo gain up signal output
35	VDDP	—	Power supply terminal (+3.3V)
36	ATDA1	I	C2F signal input from the AV decoder
37	ATDA0	I	LRCK signal input from the AV decoder
38	ATCS1	I	BCK signal input from the AV decoder
39	ATCS0	I	CD DATA signal input from the AV decoder
40	BOOTSEL1	—	Not used
41	GPCI01	I	INTDET signal input from the AV decoder
42	SSCSRO	I	Not used in this set. Fixed at (“L”).
43	GPC103	I	WRO signal input from the AV decoder
44	GCP104	—	Not used
45	GCP105	O	Serial data output to the audio DAC
46	GCP106	O	Serial data clock output to the audio DAC
47	GCP107	I	SPDFG signal input
48	VDDP	—	Power supply terminal (+3.3V)
49	SSCRXD/GPC108	I	Data signal input from the system controller
50	GNDP	—	Ground terminal
51	SSCRXD/GPC109	I	Data signal input from the system controller
52	VDDP	—	Power supply terminal (+3.3V)
53 to 55	RAMADD0 to 3	O	Address bus to the D-RAM

Pin No.	Pin Name	I/O	Description
56	GNDP	—	Ground terminal
57 to 60	RAMADD4 to 7	O	Address bus to the D-RAM
61	VDDP	—	Power supply terminal (+3.3V)
62 to 64	RAMADD8 to 11	O	Address bus to the D-RAM
65	GNDP	—	Ground terminal
66	RAMBA1	O	Chip select signal output to the D-RAM
67	RAMADD2	O	Address bus to the D-RAM
68	RAMBA0	O	Address bus to the D-RAM
69	VDDP	—	Power supply terminal (+3.3V)
70	RAMADD11	—	Not used
71	RAMCS	—	Not used
72	RAMRAS	O	D-RAM Low address strobe signal output
73	GNDP	—	Ground terminal
74	RAMCAS	O	D-RAM column address strobe signal output
75	RAMWE	O	D-RAM write enable signal output
76	RADOM	O	D-RAM data signal output
77	VDDP	—	Power supply terminal (+3.3V)
78	PCLK	O	D-RAM clock output
79	GNDP	—	Ground terminal
80	RAMDAT8	I/O	Databus to the D-RAM
81	GNDP	—	Not used
82	RAMDAT7	I/O	Databus to the D-RAM
83	VDDC	—	Power supply terminal (+1.8V)
84	RAMDAT9	I/O	Data bus to the D-RAM
85	VDDP	—	Power supply terminal (+3.3V)
86	RAMDAT6	I/O	Databus to the D-RAM
87	RAMDAT10	I/O	Databus to the D-RAM
88	GNDP	—	Ground terminal
89	RAMDAT5	I/O	Databus to the D-RAM
90	RAMDAT11	I/O	Databus to the D-RAM
91	VDDP	—	Power supply terminal (+3.3V)
92	RAMDAT4	I/O	Databus to the D-RAM
93	RAMDAT12	I/O	Databus to the D-RAM
94	GNDP	—	Ground terminal
95	RAMDAT3	I/O	Databus to the D-RAM
96	RAMDAT13	I/O	Databus to the D-RAM
97	VDDP	—	Power supply terminal (+3.3V)
98	RAMDAT2	I/O	Databus to the D-RAM
99	RAMDAT14	I/O	Databus to the D-RAM
100	GNDP	—	Ground terminal
101	RAMDAT1	I/O	Databus to the D-RAM
102	RAMDAT15	I/O	Databus to the D-RAM
103	VDDP	—	Power supply terminal (+3.3V)
104	RAMDAT0	I/O	Databus to the D-RAM
105	MEMDA0	I/O	Flash memory data bus
106	MEMDA12	I/O	Flash memory data bus
107	MEMDA1	I/O	Flash memory data bus
108	MEMDA13	I/O	Flash memory data bus
109	MEMDA2	I/O	Flash memory data bus

Pin No.	Pin Name	I/O	Description
110	MEMDA14	I/O	Flash memory data bus
111	MEMDA3	I/O	Flash memory data bus
112	MEMDA15	I/O	Flash memory data bus
113	MEMDA4	I/O	Flash memory data bus
114	GNDP	—	Ground terminal
115	MEMDA8	I/O	Flash memory data bus
116	VDDP	—	Power supply terminal (+3.3V)
117	MEMDA5	I/O	Flash memory data bus
118	MEMDA9	I/O	Flash memory data bus
119	MEMDA6	I/O	Flash memory data bus
120	MEMDA10	I/O	Flash memory data bus
121	MEMDA7	I/O	Flash memory data bus
122	MEMDA11	I/O	Flash memory data bus
123	MFWOS2	I	SCDVD signal input from the AV decoder
124	MEMCS1	—	Not used
125	GNDP	—	Ground terminal
126	MEMCS0	—	Not used
127	VDDP	—	Power supply terminal (+3.3V)
128	MEMRD	I	RD signal input from the AV decoder
129	MEMWR	I	WR signal input
130	VDDC	—	Power supply terminal (+1.8V)
131	MEMAD0	O	Flash memory address bus
132	GNDC	—	Ground terminal
133 to 138	MEMAD1 to 6	O	Flash memory address bus
139	GNDP	—	Ground terminal
140	MEMAD7	O	Flash memory address bus
141	VDDP	—	Power supply terminal (+3.3V)
142 to 146	MEMAD8 to 12	O	Flash memory address bus
147 to 150	MEMAD13 to 16	O	Flash memory address bus
152	MEMAD14	O	Flash memory address bus
153	VDDP	—	Power supply terminal (+3.3V)
154	MEMAD15	O	Flash memory address bus
155	MEMAD16	O	Flash memory address bus
156	VDDA	—	Power supply terminal (+1.8V)
157	RESET	I	Reset signal input
158	GND A	—	Ground terminal
159	VDDP	—	Power supply terminal (+3.3V)
160	XO	O	System clock output (27MHz)
161	GCLKP	I	System clock input (27MHz)
162	GCLKA	I	System clock input (27MHz)
163	VDDADC	—	Power supply terminal (+3.3V)
164	SERADC2	—	Not used
165	SERADC1	—	Not used
166	SERADC0	—	Not used
167	GNDADC	—	Ground terminal
168	DACGNDD	—	Ground terminal
169	CVBS/C/Y	O	Video signal output
170	CVBC/C	O	Video signal output
171	DACVDD	—	Power supply terminal (+5V)

Pin No.	Pin Name	I/O	Description
172	Y/R/V	O	Video signal output
173	C/B/V	O	Video signal output
174	DACGNDB	—	Ground terminal
175	RSET	I	Not used in this set. Fixed at (“L”).
176	DACGNDDP	—	Ground terminal
177	GPCIO18	O	SPDIF (DVD/CD) change signal output
178	GNDP2	—	Ground terminal
179	AMCLK	I	AMCLK signal input from the AV decoder
180	VDDP2	—	Power supply terminal (+3.3V)
181	SPDIF/AOUT3	O	SPDIF DVD signal output
182	GPAIO	I	Not used in this set. Fixed at (“L”).
183	GNDC	—	Ground terminal
184	AOUT O	O	Signal output to the audio DAC
185	VDDC	—	Power supply terminal (+1.8V)
186	AOUT 1	O	Not used in this set. Fixed at (“L”).
187	AOUT 2	O	Not used in this set. Fixed at (“L”).
188	ALR CLK	O	LRCK signal output to the audio DAC
189	GNDP	—	Ground terminal
190	AB CLK	O	BCK signal output to the audio DAC
191	VDDP	—	Power supply terminal (+3.3V)
192	AIN	—	Ground terminal
193	LLCFGA	O	Video signal output terminal (DI/S) change signal output
194	LLCFGP	O	Line3 control signal output
195	GPCIO17	O	SDA signal output to the EEPROM
196	GPCIO16	O	SCL signal output to the EEPROM
197	GPCIO15	O	Not used in this set. Fixed at (“H”).
198	ICE TCK	I	Not used in this set. Fixed at (“L”).
199	ICETDI/CPCIO24	—	Not used
200	IECTDO	O	S-VIDEO/RGB-SW control signal output
201	IECTDI	O	SI-SW control signal output
202	JTMS/CPCIO46	—	Not used
203	JTMS/CPCIO47	O	Latch enable signal output to the audio DAC
204	JTDI/PUPRD	I	Not used in this set. Fixed at (“H”).
205	JTDO/PUPTD	I	Not used in this set. Fixed at (“H”).
206	TESTMODE	I	Not used in this set. Fixed at (“L”).
207	GNDP	—	Not used
208	DUPTD	I	Not used in this set. Fixed at (“H”).

MPEG BOARD U707 LC78663N (AV DECODER)

Pin No.	Pin Name	I/O	Description
1	ADI	O	Motor Drive AMP signal output
2	ADO	I	Motor Drive KFG signal input
3	JV	I	ADJV signal input
4	PREC	I	Reference signal input from the RF AMP
5	RF PH	I	RF peak signal input from the RF AMP
6	RF BH	I	Bottom signal input from the RF AMP
7	TE	I	Tracking error signal input from the RF AMP
8	FE	I	Focus error signal input from the RF AMP
9	TEST0	—	Ground terminal
10	EFNINP	I	DVD (RF) signal input from the RF AMP
11	TEST1	—	Ground terminal
12	EFNINN	I	DVD (RF) signal input from the RF AMP
13	SLCLPFO	O	SLC signal output
14	SLCLPFI	I	SLC signal input
15	SLCO1	I	SLC signal input
16	SLCO2	I	SLC signal input
17	ADV1	—	Power supply terminal (+3.3V)
18	AVSS	—	Ground terminal
19	BHC	I	RF bottom signal input from the RF AMP
20	WO	I	WO signal input from the RF AMP
21	TEC	I	Tracking error signal input from the RF AMP
22	VREF	O	Motor Drive AMP signal output
23	TSTD1	I	Pick up signal input
24	TSTD0	I	Pick up signal input
25	FO	O	FO control signal output to the RF AMP
26	BST	O	BST control signal output to the RF AMP
27	TBAL	I	CP signal input from the RF AMP
28	FBAL	O	FE balance control signal output to the RF AMP
29	SGC	O	Servo gain control signal output to the RF AMP
30	SLCO	O	Motor Drive AMP signal output
31	SPDO	O	Motor Drive AMP signal output
32	TDO	O	Motor Drive AMP signal output
33	FDO	O	Motor Drive AMP signal output
34	DVDDO	—	Power supply terminal (+3.3V)
35	DVSS	—	Ground terminal
36	FG(PPI)	O	SPD FG signal output to the video DAC encoder
37	HIR0B	O	INT DET signal output to the video DAC encoder
38	HWAITB	O	RDY signal output to the video DAC encoder
39	HRESB	O	LSI RST signal output to the video DAC encoder
40	HRDB	O	RD signal output to the video DAC encoder
41	HWRB	O	WR signal output to the video DAC encoder
42	HCSB	O	SCD VD signal output to the video DAC encoder
43	HDATO	O	BEO1 signal output to the video DAC encoder
44	DVDD1	—	Power supply terminal (+3.3V)
45	DVSS	—	Ground terminal
46 to 52	HDAT1 to 7	I/O	Flash memory data bus
53 to 59	HADR0 to 6	O	Flash memory address bus
60	MWEB	O	S-RAM write enable signal output

Pin No.	Pin Name	I/O	Description
61	MRAS1B	O	S-RAM low address strobe signal output
62 to 65	MA0 to 3	O	S-RAM address bus
66	DVDD3	—	Power supply terminal (+3.3V)
67	DVSS	—	Ground terminal
68 to 72	MA7 to 8	O	S-RAM address bus
73	MA9	—	Not used
74	MA10	—	Not used
75	MOEB	O	S-RAM output enable signal output
76	MCASUB	O	S-RAM column high address strobe signal output
77	MCASLB	O	S-RAM column low address strobe signal output
78 to 83	HADR7 to 12	O	Flash memory address bus
84	C2F	O	C2F signal output to the video DAC encoder
85	ROMXA	O	CD DATA signal output video DAC encoder
86	ROMCK	O	BCK signal output video DAC encoder
87	LRSY	O	LRCK signal output to the video DAC encoder
88	DVDD1	—	Power supply terminal (+3.3V)
89	DVSS	—	Ground terminal
90	EMPH	—	Not used
91	AVRA01	O	DRFO signal output to the video DAC encoder
92	AVACK0	O	DACK signal output to the video DAC encoder
93	AVDACK	O	DACK signal output to the video DAC encoder
94	AVSCTB	O	DBGN signal output to the video DAC encoder
95	AVERRB	O	DFFR signal output to the video DAC encoder
96 to 103	AVD0 to 7	O	DVD (RF) signal output to the video DAC encoder
104	EFMOUT	—	Not used
105	PCK	—	Not used
106	DVDD0	—	Power supply terminal (+3.3V)
107	DVSS	—	Ground terminal
108	VCOCTL	I	FPD/PPD signal input
109	PPDO	O	PPD signal output
110	FPDO	O	FPD signal output
111	LF1	I	FPD/PPD signal input
112	LF2	I	FPD/PPD signal input
113	LF3	—	Not used
114	PCN	—	Not used
115	PISET	I	Not used in this set. Fixed at "H".
116	FISET	I	Not used in this set. Fixed at "H".
117	CDFR	I	Not used in this set. Fixed at "L".
118	DVDFR	I	Not used in this set. Fixed at "L".
119	AVDD2	—	Power supply terminal (+3.3V)
120	AVSS2	—	Ground terminal
121	DVCP1	I	Not used in this set. Fixed at "H".
122	JVCPC1	I	ADJV signal input
123	JVAO	O	ADJV signal output
124	JVAN	I	JVR signal input
125	JVRVO	O	JVR signal output
126	AVDD3	—	Power supply terminal (+3.3V)
127	AVSS	—	Ground terminal
128	VPDO	O	VPD signal output

Pin No.	Pin Name	I/O	Description
129	VRPFR	I	Not used in this set. Fixed at "H".
130	VCOCTL	I	VPD signal input
131	DVDD0	—	Power supply terminal (+3.3V)
132	DVSS	—	Ground terminal
133	DVDD2	—	Power supply terminal (+3.3V)
134	XIN	I	System clock input (16.9344MHz)
135	XOUT	O	System clock output (16.9344MHz)
136	DVSS	—	Ground terminal
137	X16MIO	O	AMCLK signal output to the video DAC encoder
138	TEST2	—	Ground terminal
139	DVDCKIO	—	Ground terminal
140	SYEO(EFLO)	—	Not used.
141	FSEO(FSX)	—	Not used.
142	DOUT	O	SPDIF CD signal output
143	DVDD1	—	Power supply terminal (+3.3V)
144	DVSS	—	Ground terminal
145 to 148	MD8 to 11	I/O	S-RAM data bus
149	DVSS	—	Ground terminal
150 to 153	MD12 to 15	I/O	S-RAM data bus
154	DVSS	—	Ground terminal
155	DVDD3	—	Power supply terminal (+3.3V)
156 to 159	MD0-3	I/O	S-RAM data bus
160	DVDD3	—	Power supply terminal (+3.3V)
161 to 164	MD4 to 7	I/O	S-RAM data bus
165	DVDD1	—	Power supply terminal (+3.3V)
166	DVSS	—	Ground terminal
167	DVD CD	O	DVD/CD change control signal output
168	DEFECTO	O	RFAMP tracking hold control signal output
169	WRO	O	WRO signal output
170	XHTR	O	Tracking band control signal output to the RF AMP
171	LDON1	O	APC2 laser control signal output to the RF AMP
172	LDON2	O	APC1 laser control signal output to the RF AMP
173	TESIO	—	Not used.
174	HFLIO	—	Not used.
175	DVDD0	—	Power supply terminal (+3.3V)
176	DVSS	—	Ground terminal

SECTION 8 EXPLODED VIEWS

NOTE:

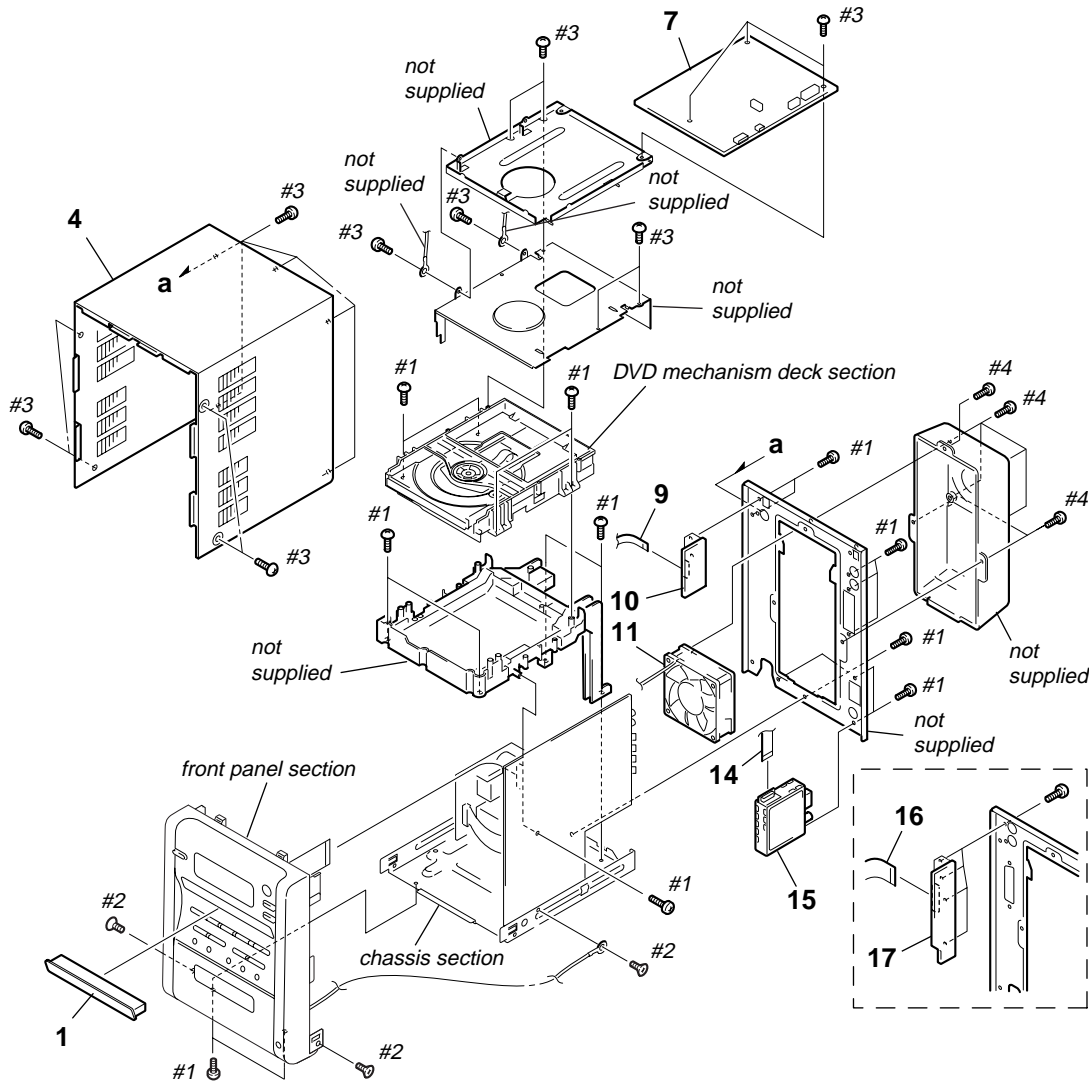
- -XX and -X mean standardized parts, so they may have some difference from the original one.
- Items marked “*” are not stocked since they are seldom required for routine service. Some delay should be anticipated when ordering these items.
- The mechanical parts with no reference number in the exploded views are not supplied.

- Abbreviation
 AUS : Australian model
 CND : Canadian model.
 E3 : 240 V AC area in E model.
 E51 : Chilean and Peruvian model.
 KR : Korea model.
 RU : Russian model.
 SP : Singapore model.

The components identified by mark \triangle or dotted line with mark \triangle are critical for safety. Replace only with part number specified.

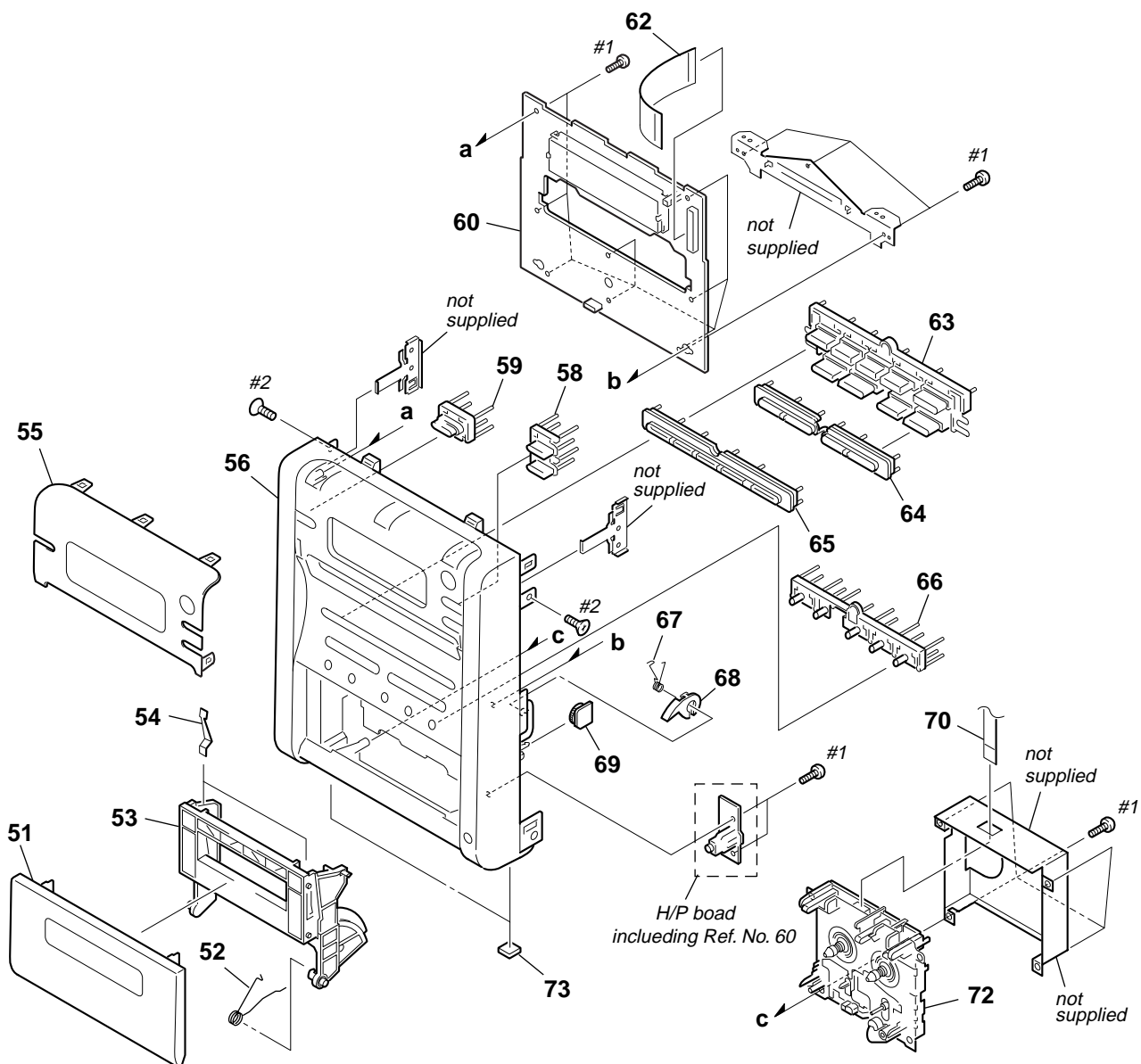
Les composants identifiés par une marque \triangle sont critiques pour la sécurité. Ne les remplacer que par une pièce portant le numéro spécifié.

8-1. OVERALL SECTION



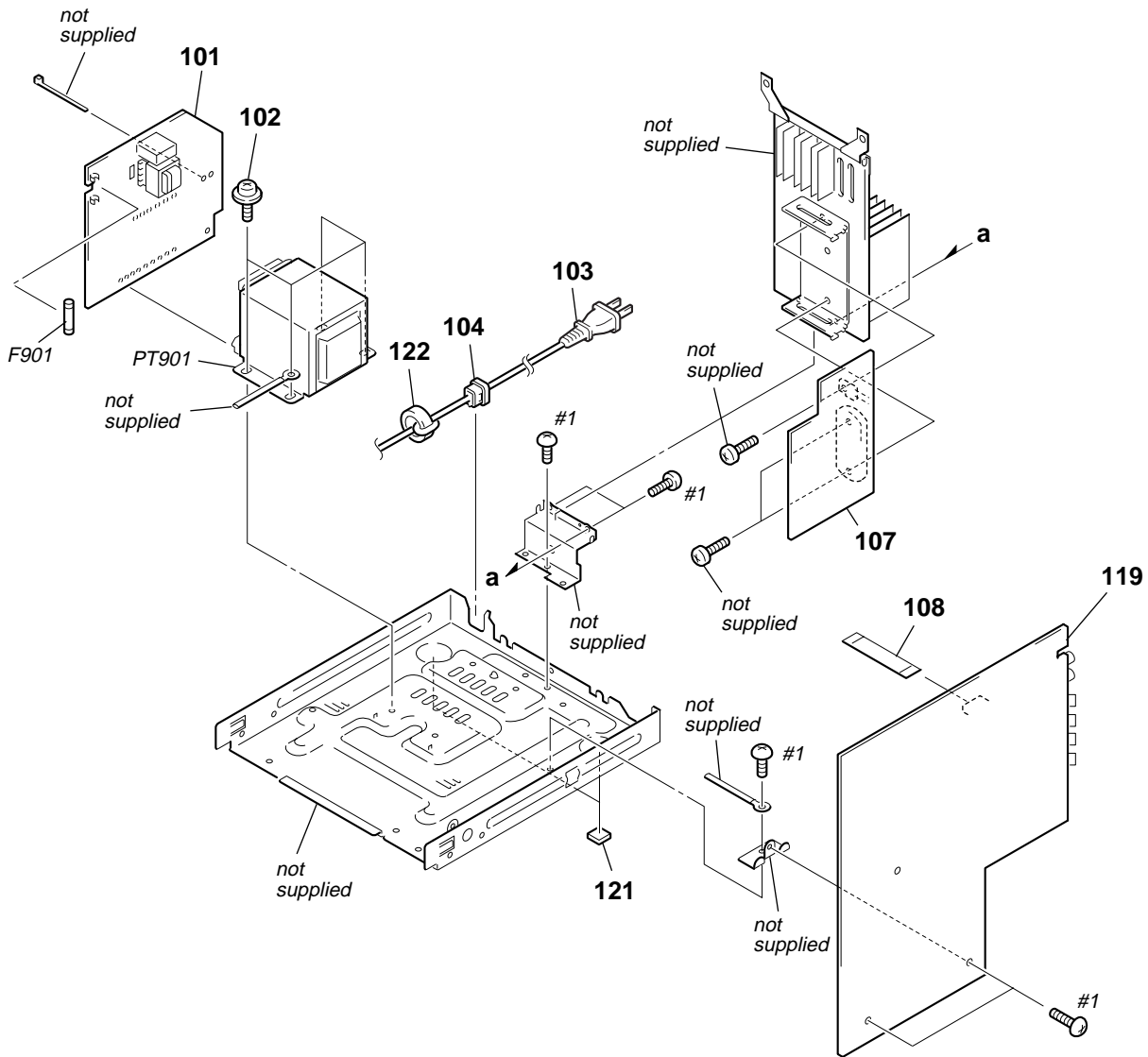
Ref. No.	Part No.	Description	Remark	Ref. No.	Part No.	Description	Remark
1	9-885-077-26	PANEL DVD TRAY		14	9-885-059-35	WIRE (FLAT TYPE) (11 CORE)	
4	2-024-357-01	COVER TOP				(EXCEPT AEP,UK,RU)	
7	9-885-077-15	MPEG BOARD, COMPLETE (US,CND)		14	9-885-068-68	WIRE (FLAT TYPE) (15 CORE)(AEP,UK,RU)	
7	9-885-079-69	MPEG BOARD, COMPLETE (SP,KR)		15	1-693-619-11	TUNER (FM/AM) (AEP,UK)	
7	9-885-079-70	MPEG BOARD, COMPLETE (AEP,UK)					
7	9-885-079-71	MPEG BOARD, COMPLETE (AUS)		15	1-693-620-11	TUNER (FM/AM) (SP,E3,E51,AUS)	
7	9-885-079-72	MPEG BOARD, COMPLETE (E51)		15	1-693-624-11	TUNER (FM/AM) (US,CND)	
7	9-885-079-73	MPEG BOARD, COMPLETE (E3)		15	9-885-080-50	TUNER (FM/AM) (RU,KR)	
7	9-885-079-99	MPEG BOARD, COMPLETE (RU)		16	9-885-080-49	WIRE (FLAT TYPE) (11 CORE)(AEP,UK,RU)	
9	9-885-080-48	WIRE (FLAT TYPE) (5 CORE)		17	9-885-079-98	VIDEO OUT BOARD, COMPLETE (AEP,UK,RU)	
		(EXCEPT AEP,UK,RU)		#1	7-685-647-14	SCREW +BVTP 3X10 TYPE2 N-S	
10	9-885-077-13	AV BOARD, COMPLETE (EXCEPT AEP,UK,RU)		#2	7-685-246-19	SCREW +KTP 3X8 TYPE2 NON-SLIT	
11	9-885-083-68	FAN, DC		#3	7-685-545-14	SCREW +BTP 3X8 TYPE2	
				#4	7-685-646-79	SCREW +BVTP 3X8 TYPE2 IT-3	

8-2. FRONT PANEL SECTION



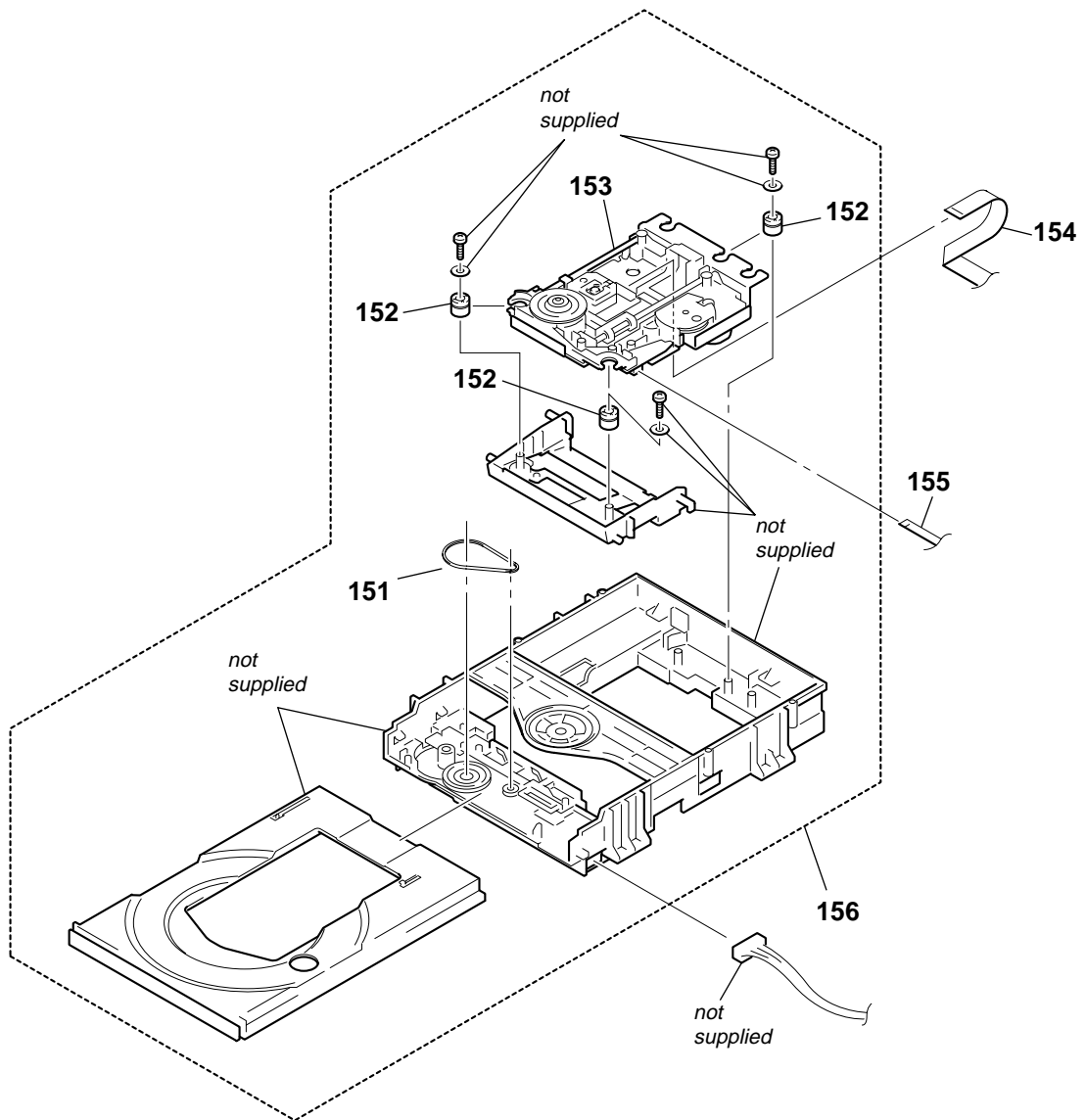
Ref. No.	Part No.	Description	Remark	Ref. No.	Part No.	Description	Remark
51	9-885-077-21	PANEL CASS		64	9-885-077-30	RING VOLUME	
52	4-247-757-01	SPR-T, CASS		65	9-885-077-29	RING FUNCTION	
53	9-885-077-20	HOLDER CASS		66	9-885-077-28	KEY REC	
54	4-238-631-01	TAPE SPRING		67	4-231-841-01	SPRING (HEART CAM-B)	
55	9-885-077-22	WINDOW DISPLAY		68	4-231-825-01	CAM (B), HEAT	
56	9-885-077-18	CABI FRONT (US,CND)		69	4-242-318-01	OIL-DAMPER, 70	
56	9-885-080-63	CABI FRONT (EXCEPT US,CND)		70	1-829-761-11	WIRE (FLAT TYPE) (7 CORE)	
58	9-885-077-24	KEY DISPLAY		72	1-796-352-81	MECHANISM, SIGNAL CASSETTE	(CMAL5Z220C)
59	9-885-077-23	KEY POWER		73	4-247-752-01	RUBBER FOOT	
60	9-885-077-08	FRONT BOARD, COMPLETE	(including HP BOARD)	#1	7-685-647-14	SCREW +BVTP 3X10 TYPE2 N-S	
62	9-885-059-38	WIRE (FLAT TYPE) (21 CORE)		#2	7-685-246-19	SCREW +KTP 3X8 TYPE2 NON-SLIT	
63	9-885-077-19	KEY FUNCTION/VOL					

8-3. CHASSIS SECTION



Ref. No.	Part No.	Description	Remark	Ref. No.	Part No.	Description	Remark
101	9-885-077-07	PT BOARD (US,CND)		119	9-885-079-77	MAIN BOARD, COMPLETE (E3)	
101	9-885-079-67	PT BOARD (SP,E3,E51,KR)		119	9-885-079-78	MAIN BOARD, COMPLETE (E51)	
101	9-885-079-68	PT BOARD (AEP,UK,RU,HK,AUS)		119	9-885-079-79	MAIN BOARD, COMPLETE (AUS)	
102	4-900-386-01	SCREW		119	9-885-079-80	MAIN BOARD, COMPLETE (RU)	
△ 103	1-696-848-12	CORD, POWER (AUS)		121	4-247-752-01	RUBBER FOOT	
△ 103	1-769-079-23	CORD, POWER (KR)		122	9-885-068-71	FILTER CLAMP (AEP,UK,RU,KR)	
△ 103	1-769-744-52	CORD, POWER (AEP,UK,RU,SP)		△ F901	1-532-463-32	FUSE(TIME LUG),CYLINDRICAL (T1AL/250V) (EXCEPT US,CND)	
△ 103	1-783-531-12	CORD, POWER (US,CND)		△ F901	1-532-503-32	FUSE,CYLINDRICAL (1.6A/250V) (US,CND)	
△ 103	1-827-226-11	CORD, POWER (E3,E51)		△ PT901	9-885-077-11	TRANSFORMER, POWER (US,CND)	
104	3-703-244-02	BUSHING (2104), CORD		△ PT901	9-885-080-05	TRANSFORMER, POWER (SP,E3,E51)	
107	9-885-079-00	AMP BOARD, COMPLETE		△ PT901	9-885-080-06	TRANSFORMER, POWER (AEP,UK,RU,AUS,KR)	
108	9-885-059-33	WIRE (FLAT TYPE) (9 CORE)		#1	7-685-647-14	SCREW +BVTP 3X10 TYPE2 N-S	
119	9-885-077-14	MAIN BOARD, COMPLETE (US,CND)					
119	9-885-079-74	MAIN BOARD, COMPLETE (SP,KR)					
119	9-885-079-76	MAIN BOARD, COMPLETE (AEP,UK)					

8-4. DVD MECHANISM DECK SECTION



Ref. No.	Part No.	Description	Remark	Ref. No.	Part No.	Description	Remark
151	9-885-065-33	BELT (PULLEY)		155	9-885-059-40	WIRE (FLAT TYPE)(6 CORE)	
152	9-885-065-34	DUMPER (TRAVERSE MECH)		156	9-885-059-26	LOADER (KDA898ST), DVD	
△ 153	9-885-065-32	TRAVERSE MECH (1ADOMEZ0412)					
154	9-885-059-39	WIRE (FLAT TYPE)(24 CORE)					

SECTION 9 ELECTRICAL PARTS LIST

NOTE:

- Due to standardization, replacements in the parts list may be different from the parts specified in the diagrams or the components used on the set.
- -XX and -X mean standardized parts, so they may have some difference from the original one.
- Items marked "*" are not stocked since they are seldom required for routine service. Some delay should be anticipated when ordering these items.
- CAPACITORS
uF: μ F
- COILS
uH: μ H

- RESISTORS
All resistors are in ohms.
METAL: Metal-film resistor.
METAL OXIDE: Metal oxide-film resistor.
F: nonflammable
- SEMICONDUCTORS
In each case, u: μ , for example:
uA. . . : μ A. . . , uPA. . . , μ PA. . . ,
uPB. . . : μ PB. . . , uPC. . . , μ PC. . . ,
uPD. . . : μ PD. . .
- Abbreviation
AUS : Australian model
CND : Canadian model.
E3 : 240 V AC area in E model.
E51 : Chilean and Peruvian model.

When indicating parts by reference number, please include the board name.

The components identified by mark Δ or dotted line with mark Δ are critical for safety. Replace only with part number specified.

Les composants identifiés par une marque Δ sont critiques pour la sécurité. Ne les remplacer que par une pièce portant le numéro spécifié.

- KR : Korea model.
- RU : Russian model.
- SP : Singapore model.

Ref. No.	Part No.	Description	Remark	Ref. No.	Part No.	Description	Remark
	9-885-079-00	AMP BOARD, COMPLETE *****				< TRANSISTOR >	
		< CAPACITOR >					
C159	1-126-963-91	CAP, ELECT 4.7MF		Q101	8-729-200-71	TRANSISTOR 2SC2712G-TE85L	
C160	1-126-963-91	CAP, ELECT 4.7MF		Q102	8-729-200-71	TRANSISTOR 2SC2712G-TE85L	
C163	1-164-315-91	CAP, CERAMIC 470PF CH 1608		Q103	8-729-200-75	TRANSISTOR 2SA1162G-TE85L	
C164	1-164-315-91	CAP, CERAMIC 470PF CH 1608		Q104	8-729-200-75	TRANSISTOR 2SA1162G-TE85L	
C165	1-126-968-91	CAP, ELECT 100MF		Q105	8-729-028-83	TRANSISTOR DTA124EUA-T106	
C166	1-126-968-91	CAP, ELECT 100MF		Q301	8-729-200-71	TRANSISTOR 2SC2712G-TE85L	
C167	1-162-908-91	CAP, CERAMIC 3P		Q303	8-729-200-71	TRANSISTOR 2SC2712G-TE85L	
C168	1-162-908-91	CAP, CERAMIC 3P		Q304	8-729-200-71	TRANSISTOR 2SC2712G-TE85L	
C176	1-126-971-51	CAP, ELECT 470/50V		Q308	8-729-027-46	TRANSISTOR DTC114YKA-T146	
C177	1-104-661-91	CAP, ELECT 330MF		Q309	8-729-028-83	TRANSISTOR DTA124EUA-T106	
C178	1-126-968-91	CAP, ELECT 100MF		Q310	8-729-027-46	TRANSISTOR DTC114YKA-T146	
C179	1-131-992-91	CAP, CERAMIC 10000PF F 1608		Q311	8-729-924-92	TRANSISTOR 2SB1370-E	
C180	1-126-968-91	CAP, ELECT 100MF		Q312	6-550-333-01	TRANSISTOR 2SC5343GL	
C181	1-131-992-91	CAP, CERAMIC 10000PF F 1608		Q314	8-729-200-75	TRANSISTOR 2SA1162G-TE85L	
C182	1-126-971-91	CAP, ELECT 220MF				< RESISTOR >	
C183	1-126-971-91	CAP, ELECT 220MF		R151	1-247-847-91	RES, CHIP (SMALL) 4.7K	
C308	1-162-970-91	CAP, CERAMIC 10000PF B 1608		R163	1-216-827-91	RES, CHIP 3.3K (1608)	
C311	1-126-933-91	CAP, ELECT 100MF		R164	1-216-827-91	RES, CHIP 3.3K (1608)	
C327	1-126-963-91	CAP, ELECT 4.7MF		R165	1-216-822-91	RES, CHIP 1.2K (1608)	
C328	1-126-941-91	CAP, ELECT 470MF		R166	1-216-822-91	RES, CHIP 1.2K (1608)	
C329	1-131-992-91	CAP, CERAMIC 10000PF F 1608		R167	1-216-842-91	RES, CHIP 56K (1608)	
C330	1-126-767-91	CAP, ELECT 1000MF		R168	1-216-842-91	RES, CHIP 56K (1608)	
C334	1-126-961-91	CAP, ELECT 2.2MF		R169	1-216-819-91	RES, CHIP 680 (1608)	
		< CONNECTOR >		R170	1-216-819-91	RES, CHIP 680 (1608)	
CN101	1-564-508-11	PLUG, CONNECTOR 5P		R171	1-216-361-81	RES, METAL OXIDE FILM 0.22	
CN102	1-564-510-11	PLUG, CONNECTOR 7P		R172	1-216-361-81	RES, METAL OXIDE FILM 0.22	
CN106	1-564-506-11	PLUG, CONNECTOR 3P		R173	1-216-361-81	RES, METAL OXIDE FILM 0.22	
CN350	1-564-506-11	PLUG, CONNECTOR 3P		R174	1-216-361-81	RES, METAL OXIDE FILM 0.22	
		< DIODE >		R175	1-216-842-91	RES, CHIP 56K (1608)	
D101	8-719-991-33	DIODE 1SS133T-77		R176	1-216-842-91	RES, CHIP 56K (1608)	
D102	8-719-991-33	DIODE 1SS133T-77		R177	1-216-821-91	RES, CHIP 1K (1608)	
D103	8-719-991-33	DIODE 1SS133T-77		R178	1-216-821-91	RES, CHIP 1K (1608)	
D104	8-719-991-33	DIODE 1SS133T-77		R179	1-216-835-91	RES, CHIP 15K (1608)	
D311	8-719-923-84	DIODE MTZJ-T-77-13B		R180	1-216-835-91	RES, CHIP 15K (1608)	
		< IC >		R185	1-216-845-91	RES, 100K (1608)	
D351	8-719-991-33	DIODE 1SS133T-77		R186	1-216-845-91	RES, 100K (1608)	
IC103	6-705-621-01	IC STK433-070		R190	1-212-881-91	RES, FUSE 100	
				R191	1-212-881-91	RES, FUSE 100	
				R301	1-216-845-91	RES, 100K (1608)	
				R302	1-216-845-91	RES, 100K (1608)	
				R303	1-216-833-91	RES, CHIP 10K (1608)	
				R307	1-216-845-91	RES, 100K (1608)	

Ref. No.	Part No.	Description	Remark	Ref. No.	Part No.	Description	Remark
R316	1-259-033-91	RES, CARBON (SMALL) 1				< CONNECTOR >	
R317	1-259-033-91	RES, CARBON (SMALL) 1					
R318	1-259-033-91	RES, CARBON (SMALL) 1		CN601	1-784-782-11	CONNECTOR, FFC 21P	
				CN602	1-784-729-11	CONNECTOR, FFC 7P	
R319	1-247-831-91	RES, CARBON (SMALL) 1				< DIODE >	
R329	1-216-845-91	RES, 100K (1608)					
R358	1-216-833-91	RES, CHIP 10K (1608)		D651	8-719-991-33	DIODE 1SS133T-77	
R359	1-216-821-91	RES, CHIP 1K (1608)		D652	8-719-045-62	DIODE SLR-342VCT31 (I/Ⓛ)	
R360	1-216-837-91	RES, CHIP 22K (1608)		D654	8-719-991-33	DIODE 1SS133T-77	

	9-885-077-13	AV BOARD (EXCEPT AEP,UK,RU)				< IC >	
		*****		IC651	8-759-643-83	IC UPD16315GB-3BS	
		< CAPACITOR >		IR651	6-701-681-01	IC RPM7140-V4 (I)	
C851A	1-164-156-91	CAP, CHIP CERAMIC 0.1MF F 1608				< JACK >	
		< CONNECTOR >		JK103	9-885-059-95	JACK, HEADPHONE (PHONES)	
CN851A	1-784-766-11	CONNECTOR,5P				< SHORT >	
		< FERRITE BEAD >		JR120	1-216-864-91	CONDUCTOR, CHIP (1608)	
FB851A	9-885-060-35	BEAD, FERRITE		JR651	1-216-864-91	CONDUCTOR, CHIP (1608)	
		< JACK >		JR652	1-216-864-91	CONDUCTOR, CHIP (1608)	
JK801A	9-885-059-83	OPTICAL TRANSMITTER PLT13		JR802	1-216-864-21	C-JUMPER	
		(DIGITAL OUT OPTICAL)				< COIL >	
JK802	9-885-059-85	JACK, PIN 1P (VIDEO OUT)		L105	1-414-140-11	INDUCTOR, MICRO 0.68UH	
		< COIL >				< TRANSISTOR >	
L851A	1-410-328-11	INDUCTOR, MICRO 10UH		Q651	6-550-297-01	TRANSISTOR 2SA1981Y	
		< RESISTOR >		Q652	8-729-200-71	TRANSISTOR 2SC2712G-TE85L	
R851	1-216-821-91	RES, 1K (1608)		Q653	6-550-305-01	TRANSISTOR 2SA1296GR-(TPE2)	

	9-885-077-08	FRONT BOARD, COMPLETE		Q654	8-729-900-58	TRANSISTOR DTC114EK-T146	
		(including HP BOARD)				< RESISTOR >	
		*****		R153	1-247-817-91	RES, CARBON (SMALL) 270	
		< CAPACITOR >		R154	1-247-817-91	RES, CARBON (SMALL) 270	
C161	1-162-970-91	CAP, CERAMIC 10000PF B 1608		R155	1-247-815-91	RES, CARBON (SMALL) 220	
C162	1-162-970-91	CAP, CERAMIC 10000PF B 1608		R156	1-247-815-91	RES, CARBON (SMALL) 220	
C166	9-885-068-70	CAP, CHIP CERAMIC 0.1MF 50V		R651	1-216-808-91	RES, 82 (1608)	
C651	1-164-156-91	CAP, CHIP CERAMIC 0.1MF F 1608					
C652	1-124-240-61	CAP, ELECT 10MF		R652	1-216-805-91	RES, 47 (1608)	
				R653	1-216-827-91	RES, 3.3K (1608)	
C655	1-162-970-91	CAP, CERAMIC 10000PF B 1608		R654	1-247-847-91	RES, CARBON (SMALL) 4.7K	
C656	1-162-970-91	CAP, CERAMIC 10000PF B 1608		R655	1-247-839-91	RES, CARBON (SMALL) 820	
C657	1-162-970-91	CAP, CERAMIC 10000PF B 1608		R656	1-247-839-91	RES, CARBON (SMALL) 820	
C659	1-164-156-91	CAP, CHIP CERAMIC 0.1MF F 1608					
C660	1-164-156-91	CAP, CHIP CERAMIC 0.1MF F 1608		R657	1-247-831-91	RES, CARBON (SMALL) 1	
				R658	1-247-855-91	RES, CARBON (SMALL) 10	
C661	1-126-967-91	CAP, ELECT 47MF		R659	1-247-839-91	RES, CARBON (SMALL) 820	
C662	1-126-967-91	CAP, ELECT 47MF		R660	1-247-839-91	RES, CARBON (SMALL) 820	
C663	1-162-968-91	CAP,CHIP CERAMIC 4700PF B 1608		R661	1-247-831-91	RES, CARBON (SMALL) 1	
C664	1-162-968-91	CAP,CHIP CERAMIC 4700PF B 1608					
C665	1-162-970-91	CAP, CERAMIC 10000PF B 1608		R662	1-247-855-91	RES, CARBON (SMALL) 10	
				R663	1-247-847-91	RES, CARBON (SMALL) 4.7K	
C666	1-124-584-61	CAP, ELECT 100MF		R664	1-247-839-91	RES, CARBON (SMALL) 820	
C670	1-162-960-91	CAP,CHIP CERAMIC 220PF B 1608		R665	1-247-839-91	RES, CARBON (SMALL) 820	
				R666	1-216-821-91	RES, 1K (1608)	
				R667	1-247-855-91	RES, CARBON (SMALL) 10	
				R668	1-216-844-91	RES, 82K (1608)	
				R670	1-216-833-91	RES, 10K (1608)	
				R671	1-216-833-91	RES, 10K (1608)	
				R672	1-216-833-91	RES, 10K (1608)	

HCD-DV2D

FRONT **MAIN**

Ref. No.	Part No.	Description	Remark	Ref. No.	Part No.	Description	Remark
R673	1-247-847-91	RES, CARBON (SMALL) 4.7K		C106	1-126-963-71	CAP, ELECT 4.7MF	
R674	1-216-833-91	RES, 10K (1608)		C107	1-126-963-71	CAP, ELECT 4.7MF	
R675	1-216-841-91	RES, 47K (1608)		C108	1-136-168-51	FILM (0.18MF), CAP	
R676	1-247-871-91	RES, CARBON (SMALL) 47K		C109	1-136-168-51	FILM (0.18MF), CAP	
R677	1-247-863-91	RES, CARBON (SMALL) 22K		C110	1-136-168-51	FILM (0.18MF), CAP	
R678	1-216-837-91	RES, 22K (1608)		C111	1-136-168-51	FILM (0.18MF), CAP	
R679	1-216-842-91	RES, 56K (1608)		C112	1-162-995-91	CAP,CERAMIC 22000PF F 1608	
R680	1-216-825-91	RES, 2.2K (1608)		C113	9-885-059-59	CAP, CERAMIC 0.018MF (1608)	
R681	1-216-825-91	RES, 2.2K (1608)		C114	1-162-995-91	CAP,CERAMIC 22000PF F 1608	
R683	1-216-825-91	RES, 2.2K (1608)		C115	9-885-059-59	CAP, CERAMIC 0.018MF (1608)	
R684	1-216-833-91	RES, 10K (1608)		C116	1-162-972-91	CAP,CERAMIC 2200PF	
R685	1-247-847-91	RES, CARBON (SMALL) 4.7K		C117	1-162-972-91	CAP,CERAMIC 2200PF	
R686	1-216-841-91	RES, 47K (1608)		C118	1-162-927-91	CAP, CERAMIC 100PF CH 1608	
R687	1-259-033-91	RES, CARBON (SMALL) 1		C119	1-162-927-91	CAP, CERAMIC 100PF CH 1608	
R688	1-216-821-91	RES, 1K (1608)		C120	1-126-962-71	CAP, ELECT 3.3MF	
R689	1-216-842-91	RES, 56K (1608)		C121	1-126-962-71	CAP, ELECT 3.3MF	
R690	1-216-833-91	RES, 10K (1608)		C122	1-126-963-71	CAP, ELECT 4.7MF	
R691	1-247-855-91	RES, CARBON (SMALL) 10		C123	1-126-963-71	CAP, ELECT 4.7MF	
		< SWITCH >		C124	1-126-963-71	CAP, ELECT 4.7MF	
S651	1-762-875-21	SWITCH, KEYBOARD (TV)		C125	1-124-255-61	CAP, ELECT 1.0MF	
S652	1-762-875-21	SWITCH, KEYBOARD (TAPE ►)		C126	1-124-255-61	CAP, ELECT 1.0MF	
S653	1-762-875-21	SWITCH, KEYBOARD (TUNER/BAND)		C127	1-126-963-71	CAP, ELECT 4.7MF	
S654	1-762-875-21	SWITCH, KEYBOARD (DVD ►■)		C128	1-126-963-71	CAP, ELECT 4.7MF	
S655	1-762-875-21	SWITCH, KEYBOARD (PRESET EQ)		C129	1-124-255-61	CAP, ELECT 1.0MF	
S656	1-762-875-21	SWITCH, KEYBOARD (REPEAT)		C130	1-162-964-91	CAP,CHIP CERAMIC 1000PF B 1608	
S657	1-762-875-21	SWITCH, KEYBOARD (VOLUME -)		C131	1-164-230-91	CAP,CERAMIC 220PF CH 1608	
S658	1-762-875-21	SWITCH, KEYBOARD (VOLUME +)		C131A	1-162-927-91	CAP, CERAMIC 100PF CH 1608	
S659	1-762-875-21	SWITCH, KEYBOARD (■)		C132	1-164-230-91	CAP,CERAMIC 220PF CH 1608	
S660	1-762-875-21	SWITCH, KEYBOARD (PLAY MODE)		C132A	1-162-927-91	CAP, CERAMIC 100PF CH 1608	
S661	1-762-875-21	SWITCH, KEYBOARD (►►►►► +)		C133	1-126-963-91	CAP, ELECT 4.7MF	
S662	1-762-875-21	SWITCH, KEYBOARD (◄◄◄◄◄ -)		C134	1-126-963-91	CAP, ELECT 4.7MF	
S663	1-762-875-21	SWITCH, KEYBOARD (▲)		C136	1-124-255-61	CAP, ELECT 1.0MF	
S664	1-762-875-21	SWITCH, KEYBOARD (I/⏻)		C137	1-126-963-71	CAP, ELECT 4.7MF	
S665	1-762-875-21	SWITCH, KEYBOARD (CD SYNC)		C139	1-131-992-91	CAP, CERAMIC 100000PF F 1608	
S666	1-762-875-21	SWITCH, KEYBOARD (● REC PAUSE/START)		C140	1-162-9x95-91	CAP,CERAMIC 22000PF F 1608	
S667	1-762-875-21	SWITCH, KEYBOARD (DISPLAY)		C141	1-162-995-91	CAP,CERAMIC 22000PF F 1608	
		< FLUORESCENT INDICATOR TUBE >		C142	1-162-968-91	CAP,CHIP CERAMIC 4700PF B 1608	
VFD651	1-519-761-21	INDICATOR TUBE, FLUORESCENT		C143	1-126-933-71	CAP, ELECT 100MF	
*****				C144	1-131-992-91	CAP, CERAMIC 100000PF F 1608	
	9-885-077-14	MAIN BOARD, COMPLETE (US,CND)		C145	1-164-730-91	CAP,CERAMIC 1200PF B 1608	
	9-885-079-74	MAIN BOARD, COMPLETE (SP,KR)		C146	1-164-315-91	CAP, CERAMIC 470PF CH (1608)	
	9-885-079-76	MAIN BOARD, COMPLETE (AEP,UK)		C147	1-164-315-91	CAP, CERAMIC 470PF CH (1608)	
	9-885-079-77	MAIN BOARD, COMPLETE (E3)		C148	1-126-963-71	CAP, ELECT 4.7MF	
	9-885-079-78	MAIN BOARD, COMPLETE (E51)		C149	1-126-963-71	CAP, ELECT 4.7MF	
	9-885-079-79	MAIN BOARD, COMPLETE (AUS)		C150	1-126-963-71	CAP, ELECT 4.7MF	
	9-885-079-80	MAIN BOARD, COMPLETE (RU)		C151	1-162-923-91	CAP, CERAMIC 47PF CH 1608	
	*****			C152	1-126-963-71	CAP, ELECT 4.7MF	
		< CAPACITOR >		C153	1-162-923-91	CAP, CERAMIC 47PF CH 1608	
C101	1-164-172-91	CAP,CERAMIC 5600PF B 1608		C154	1-126-933-71	CAP, ELECT 100MF	
C102	9-885-059-61	CAP, ELECT 0.68MF		C155	1-131-992-91	CAP, CERAMIC 100000PF F 1608	
C103	1-124-249-61	CAP, ELECT 0.47MF		C156	1-126-933-71	CAP, ELECT 100MF	
C104	1-162-968-91	CAP,CHIP CERAMIC 4700PF B 1608		C157	1-131-992-91	CAP, CERAMIC 100000PF F 1608	
C105	1-124-249-61	CAP, ELECT 0.47MF		C158	1-131-992-91	CAP, CERAMIC 100000PF F 1608	
				C159	1-131-992-91	CAP, CERAMIC 100000PF F 1608	
				C162	1-131-992-91	CAP, CERAMIC 100000PF F 1608	
				C169	1-137-354-91	CAP, PP FILM 0.10MF	
				C170	1-137-354-91	CAP, PP FILM 0.10MF	
				C171	1-137-354-91	CAP, PP FILM 0.10MF	

Ref. No.	Part No.	Description	Remark	Ref. No.	Part No.	Description	Remark
C172	1-137-354-91	CAP, PP FILM 0.10MF		C237	1-126-961-91	CAP, ELECT 2.2MF	
C173	1-162-964-91	CAP,CHIP CERAMIC 1000PF B 1608		C238	1-162-970-91	CAP, CERAMIC 10000PF B 1608	
C174	1-162-964-91	CAP,CHIP CERAMIC 1000PF B 1608		C239	1-162-979-91	CAP,CERAMIC 2700PF B 1608	
C175	1-162-970-91	CAP, CERAMIC 10000PF B 1608		C240	1-162-979-91	CAP,CERAMIC 2700PF B 1608	
C181A	1-131-992-91	CAP, CERAMIC 100000PF F 1608		C241	1-162-979-91	CAP,CERAMIC 2700PF B 1608	
C184	1-104-660-91	CAP, ELECT 47MF		C242	1-131-992-91	CAP, CERAMIC 100000PF F 1608	
C185	1-162-970-91	CAP, CERAMIC 10000PF B 1608		C243	1-162-995-91	CAP,CERAMIC 22000PF F 1608	
C186	1-164-730-91	CAP,CERAMIC 1200PF B 1608		C244	1-131-992-91	CAP, CERAMIC 100000PF F 1608	
C187	1-164-730-91	CAP,CERAMIC 1200PF B 1608		C245	1-126-963-71	CAP, ELECT 4.7MF	
C188	1-162-964-91	CAP,CHIP CERAMIC 1000PF B 1608		C246	1-126-933-71	CAP, ELECT 100MF	
C189	1-162-964-91	CAP,CHIP CERAMIC 1000PF B 1608		C247	1-124-236-61	CAP, ELECT 47MF	
C190	1-124-251-61	CAP, ELECT 0.22MF		C248	1-126-964-71	CAP, ELECT 10MF	
C191	1-104-660-91	CAP, ELECT 47MF		C249	1-162-972-91	CAP, CERAMIC 2200PF F 1608	
C192	1-104-660-91	CAP, ELECT 47MF		C250	1-162-972-91	CAP, CERAMIC 2200PF F 1608	
C193	1-126-933-91	CAP, ELECT 100MF		C301	1-137-354-91	CAP, PP FILM 0.10MF	
C194	1-164-315-91	CAP, CERAMIC 470PF CH (1608)		C302	1-137-354-91	CAP, PP FILM 0.10MF	
C195	1-164-315-91	CAP, CERAMIC 470PF CH (1608)		C303	1-137-354-91	CAP, PP FILM 0.10MF	
C196	1-164-315-91	CAP, CERAMIC 470PF CH (1608)		C304	1-137-354-91	CAP, PP FILM 0.10MF	
C197	1-164-315-91	CAP, CERAMIC 470PF CH (1608)		C305	1-128-550-11	CAP, ELECT 2200MF	
C198	1-162-964-91	CAP,CHIP CERAMIC 1000PF B 1608		C306	1-128-550-11	CAP, ELECT 2200MF	
C199	1-162-964-91	CAP,CHIP CERAMIC 1000PF B 1608		C307	1-162-970-91	CAP, CERAMIC 10000PF B 1608	
C201	1-115-566-91	CAP, CERAMIC 4.7MF B		C309	1-126-968-11	CAP, ELECT 100MF	
C202	1-162-972-91	CAP, CERAMIC 2200PF F 1608		C310	1-126-933-91	CAP, ELECT 100MF	
C203	1-162-923-91	CAP, CERAMIC 47PF CH 1608		C312	1-124-236-61	CAP, ELECT 47MF	
C204	1-162-921-91	CAP, CERAMIC 33PF CH 1608		C319	1-126-946-11	CAP, ELECT 6800MF	
C205	1-124-236-61	CAP, ELECT 47MF		C320	1-126-967-91	CAP, ELECT 47MF	
C206	9-885-059-59	CAP, CERAMIC 0.018MF (1608)		C321	1-126-967-91	CAP, ELECT 47MF	
C207	1-126-964-71	CAP, ELECT 10MF		C322	1-131-992-91	CAP, CERAMIC 100000PF F 1608	
C208	1-164-730-91	CAP,CERAMIC 1200PF B 1608		C323	1-126-965-91	CAP, ELECT 22MF	
C209	1-164-390-91	CAP, CERAMIC 330PF CH 1608		C324	1-126-964-71	CAP, ELECT 10MF	
C210	1-162-921-91	CAP, CERAMIC 33PF CH 1608		C325	1-162-968-91	CAP,CHIP CERAMIC 4700PF B 1608	
C211	9-885-059-59	CAP, CERAMIC 0.018MF (1608)		C326	1-131-992-91	CAP, CERAMIC 100000PF F 1608	
C212	1-124-236-61	CAP, ELECT 47MF		C331	1-126-941-91	CAP, ELECT 470MF	
C213	1-164-730-91	CAP,CERAMIC 1200PF B 1608		C332	1-131-992-91	CAP, CERAMIC 100000PF F 1608	
C214	1-162-923-91	CAP, CERAMIC 47PF CH 1608		C335	1-126-767-11	CAP, ELECT 1000MF	
C215	1-126-933-71	CAP, ELECT 100MF		C336	1-131-992-91	CAP, CERAMIC 100000PF F 1608	
C216	1-162-972-91	CAP, CERAMIC 2200PF F 1608		C337	1-126-935-91	CAP, ELECT 470MF	
C217	1-115-566-91	CAP, CERAMIC 4.7MF B		C338	1-126-969-91	CAP, ELECT 220MF	
C218	1-164-172-91	CAP,CERAMIC 5600PF B 1608		C339	1-126-961-91	CAP, ELECT 2.2MF	
C219	1-115-566-91	CAP, CERAMIC 4.7MF B		C340	1-162-974-91	CAP, CERAMIC 10000PF F 1608	
C220	1-124-251-61	CAP, ELECT 0.22MF		C340	1-164-156-91	CAP, CHIP CERAMIC 0.1MF F 1608	
C221	1-162-972-91	CAP, CERAMIC 2200PF F 1608		C341	1-126-548-11	CAP, ELECT 4700MF	
C222	1-126-964-91	CAP, ELECT 10MF		C342	1-126-959-91	CAP, ELECT 0.47MF	
C223	1-162-967-91	CAP, CERAMIC 3300PF B 1608		C344	1-162-927-91	CAP, CERAMIC 100PF CH 1608	
C224	1-124-236-61	CAP, ELECT 47MF		C345	1-126-967-91	CAP, ELECT 47MF (AEP,UK)	
C225	1-162-967-91	CAP, CERAMIC 3300PF B 1608		C346	1-126-969-91	CAP, ELECT 220MF	
C226	1-162-972-91	CAP, CERAMIC 2200PF F 1608		C346	1-126-969-91	CAP, ELECT 220MF	
C227	1-126-964-91	CAP, ELECT 10MF		C350	1-126-963-91	CAP, ELECT 4.7MF	
C228	1-164-172-91	CAP,CERAMIC 5600PF B 1608		C351	1-162-970-91	CAP, CERAMIC 10000PF B 1608	
C229	1-124-251-61	CAP, ELECT 0.22MF		C352	1-126-923-91	CAP, ELECT 220MF	
C230	1-115-566-91	CAP, CERAMIC 4.7MF B		C353	1-126-933-91	CAP, ELECT 100MF	
C231	1-164-315-91	CAP, CERAMIC 470PF CH (1608)		C355	1-104-660-91	CAP, ELECT 47MF	
C232	1-164-315-91	CAP, CERAMIC 470PF CH (1608)		C356	1-126-935-91	CAP, ELECT 220MF	
C233	1-126-964-71	CAP, ELECT 10MF		C357	1-126-933-91	CAP, ELECT 100MF	
C234	1-126-963-71	CAP, ELECT 4.7MF		C360	1-131-992-91	CAP, CERAMIC 100000PF F 1608	
C235	1-126-963-71	CAP, ELECT 4.7MF		C361	1-126-923-91	CAP, ELECT 220MF	
C236	1-136-287-91	CAP, PP FILM 4700PF		C501	1-164-156-91	CAP, CHIP CERAMIC 0.1MF F 1608	
				C504	1-131-992-91	CAP, CERAMIC 100000PF F 1608	

Ref. No.	Part No.	Description	Remark	Ref. No.	Part No.	Description	Remark
L302	9-885-059-50	INDUCTOR (SHIELD TYPE)		R120	1-216-829-91	RES, CHIP 4.7K (1608)	
L501	1-410-332-11	INDUCTOR, MICRO 47UH		R121	1-216-829-91	RES, CHIP 4.7K (1608)	
L502	1-410-328-11	INDUCTOR, MICRO 10UH		R123	1-247-847-91	RES, CARBON (SMALL) 4.7K	
		< TRANSISTOR >		R124	1-216-829-91	RES, CHIP 4.7K (1608)	
Q196	8-729-028-83	TRANSISTOR DTA124EUA-T106		R125	1-216-809-91	RES, CHIP 100 (1608)	
Q197	8-729-600-91	TRANSISTOR 2SC3052F-T1-LF		R126	1-216-809-91	RES, CHIP 100 (1608)	
Q198	6-550-333-01	TRANSISTOR 2SC5343GL		R127	1-247-871-91	RES, CARBON (SMALL) 47K	
Q199	8-729-200-71	TRANSISTOR 2SC2712G-TE85L		R128	1-216-841-91	RES, CHIP 47K (1608)	
Q201	8-729-045-62	TRANSISTOR 2SK2158-T2B		R129	1-247-857-91	RES, CARBON (SMALL) 12K	
Q202	8-729-200-75	TRANSISTOR 2SA1162G-TE85L		R130	1-216-834-91	RES, CHIP 12K (1608)	
Q203	8-729-200-75	TRANSISTOR 2SA1162G-TE85L		R131	1-247-857-91	RES, CARBON (SMALL) 12K	
Q204	8-729-045-62	TRANSISTOR 2SK2158-T2B		R132	1-216-829-91	RES, CHIP 4.7K (1608)	
Q205	8-729-045-62	TRANSISTOR 2SK2158-T2B		R133	1-216-830-91	RES, CHIP 5.6K (1608)	
Q206	8-729-028-83	TRANSISTOR DTA124EUA-T106		R134	1-216-834-91	RES, CHIP 12K (1608)	
Q207	8-729-028-83	TRANSISTOR DTA124EUA-T106		R135	1-216-829-91	RES, CHIP 4.7K (1608)	
Q208	8-729-200-71	TRANSISTOR 2SC2712G-TE85L		R136	1-216-830-91	RES, CHIP 5.6K (1608)	
Q209	8-729-200-71	TRANSISTOR 2SC2712G-TE85L		R152	1-247-847-91	RES, CARBON (SMALL) 4.7K	
Q210	8-729-200-71	TRANSISTOR 2SC2712G-TE85L		R153	1-216-817-91	RES, CHIP 470 (1608) (AEP,UK)	
Q211	8-729-200-71	TRANSISTOR 2SC2712G-TE85L		R153	1-247-823-91	RES, CARBON (SMALL) 470	
Q212	6-550-333-01	TRANSISTOR 2SC5343GL		R159	1-216-825-91	RES, CHIP 2.2K (1608) (AEP,UK)	
Q213	6-550-333-01	TRANSISTOR 2SC5343GL		R161	1-247-831-91	RES, CARBON (SMALL) 1.0K	
Q214	6-550-333-01	TRANSISTOR 2SC5343GL		R162	1-247-831-91	RES, CARBON (SMALL) 1.0K	
Q215	6-550-333-01	TRANSISTOR 2SC5343GL		R169	1-216-816-91	RES, CHIP390(1608)	
Q305	8-729-200-71	TRANSISTOR 2SC2712G-TE85L		R170	1-216-816-91	RES, CHIP390(1608)	
Q306	8-729-200-71	TRANSISTOR 2SC2712G-TE85L		R181	1-247-799-91	RES, CARBON (SMALL) 47	
Q307	8-729-027-46	TRANSISTOR DTC114YKA-T146		R182	1-247-799-91	RES, CARBON (SMALL) 47	
Q313	6-550-295-01	TRANSISTOR 2SD1933		R183	1-247-783-91	RES, CARBON (SMALL) 10	
Q315	8-729-993-43	TRANSISTOR 2SA934R		R184	1-247-783-91	RES, CARBON (SMALL) 10	
Q316	6-550-333-01	TRANSISTOR 2SC5343GL		R187	1-216-823-91	RES, CHIP 1.5K (1608)	
Q317	8-729-200-75	TRANSISTOR 2SA1162G-TE85L		R192	1-216-830-91	RES, CHIP 5.6K (1608) (AEP,UK,RU)	
Q318	8-729-200-71	TRANSISTOR 2SC2712G-TE85L		R192	1-216-834-91	RES, CHIP 12K (1608) (EXCEPT AEP,UK,RU)	
Q502	8-729-200-71	TRANSISTOR 2SC2712G-TE85L		R193	1-216-830-91	RES, CHIP 5.6K (1608) (AEP,UK,RU)	
Q504	6-550-296-01	TRANSISTOR 2SA1980G		R193	1-216-834-91	RES, CHIP 12K (1608) (EXCEPT AEP,UK,RU)	
Q505	8-729-200-71	TRANSISTOR 2SC2712G-TE85L		R195	1-216-829-91	RES, CHIP 4.7K (1608)	
Q506	8-729-200-71	TRANSISTOR 2SC2712G-TE85L		R196	1-216-821-91	RES, CHIP 1K (1608)	
Q507	8-729-055-18	TRANSISTOR 2N3906U-RTK		R197	1-216-829-91	RES, CHIP 4.7K (1608)	
		< RESISTOR >		R198	1-247-865-91	RES, CARBON (SMALL) 27K	
R101	1-216-839-91	RES, CHIP 33K (1608)		R199	1-247-865-91	RES, CARBON (SMALL) 27K	
R102	1-216-823-91	RES, CHIP 1.5K (1608)		R201	1-216-831-91	RES, CHIP 6.8K (1608)	
R103	1-216-841-91	RES, CHIP 47K (1608)		R202	1-247-847-91	RES, CARBON (SMALL) 4.7K	
R104	1-216-846-91	RES, CHIP 120K (1608)		R203	1-216-832-91	RES, CHIP 8.2K (1608)	
R105	1-216-829-91	RES, CHIP 4.7K (1608)		R204	1-247-799-91	RES, CARBON (SMALL) 47	
R106	1-216-828-91	RES, CHIP 3.9K (1608)		R205	1-216-841-91	RES, CHIP 47K (1608)	
R107	1-216-821-91	RES, CHIP 1K (1608)		R206	1-216-857-91	RES, CHIP 10K (1608)	
R108	1-216-826-91	RES, CHIP 2.7K (1608)		R207	1-216-832-91	RES, CHIP 8.2K (1608)	
R109	1-216-826-91	RES, CHIP 2.7K (1608)		R208	1-216-805-91	RES, CHIP 47 (1608)	
R110	1-216-826-91	RES, CHIP 2.7K (1608)		R209	1-216-841-91	RES, CHIP 47K (1608)	
R111	1-216-826-91	RES, CHIP 2.7K (1608)		R210	1-247-847-91	RES, CARBON (SMALL) 4.7K	
R112	1-216-809-91	RES, CHIP 100 (1608)		R211	1-216-831-91	RES, CHIP 6.8K (1608)	
R113	1-216-809-91	RES, CHIP 100 (1608)		R212	1-216-827-91	RES, CHIP 3.3K (1608)	
R114	1-247-847-91	RES, CARBON (SMALL) 4.7K		R214	1-216-824-91	RES, CHIP 1.8K (1608)	
R115	1-247-847-91	RES, CARBON (SMALL) 4.7K		R215	1-216-857-91	RES, CHIP 10K (1608)	
R116	1-216-821-91	RES, CHIP 1K (1608)		R217	1-216-827-91	RES, CHIP 3.3K (1608)	
R117	1-216-821-91	RES, CHIP 1K (1608)		R218	1-216-824-91	RES, CHIP 1.8K (1608)	
R118	1-216-838-91	RES, CHIP 27K (1608)		R219	1-216-825-91	RES, CHIP 2.2K (1608)	
R119	1-216-838-91	RES, CHIP 27K (1608)		R220	1-216-827-91	RES, CHIP 3.3K (1608)	
				R221	1-216-828-91	RES, CHIP 3.9K (1608)	

HCD-DV2D

MAIN

Ref. No.	Part No.	Description	Remark	Ref. No.	Part No.	Description	Remark
R222	1-216-822-91	RES, CHIP 1.2K (1608)		R351	1-247-831-91	RES, CARBON (SMALL) 1	
R223	1-247-833-91	RES, CARBON (SMALL) 1.2K		R352	1-216-833-91	RES, CHIP 10K (1608)	
R224	1-216-825-91	RES, CHIP 2.2K (1608)		R353	1-216-845-91	RES, 100K (1608)	
R225	1-247-845-91	RES, CARBON (SMALL) 3.9K		R354	1-247-831-91	RES, CARBON (SMALL) 1	
R226	1-216-827-91	RES, CHIP 3.3K (1608)		R355	1-247-785-91	RES, CARBON (SMALL) 12	
R227	1-216-826-91	RES, CHIP 2.7K (1608)		R356	1-216-829-91	RES, CHIP 4.7K (1608)	
R228	1-247-847-91	RES, CARBON (SMALL) 4.7K		R357	1-216-841-91	RES, CHIP 47K (1608)	
R229	1-247-823-91	RES, CARBON (SMALL) 470		R361	1-216-821-91	RES, CHIP 1K (1608)	
R230	1-247-817-91	RES, CARBON (SMALL) 270		R362	1-216-812-91	RES, CHIP 180 (1608)	
R231	1-216-829-91	RES, CHIP 4.7K (1608)		R364	1-216-818-91	RES, CHIP 560 (1608)	
R232	1-216-829-91	RES, CHIP 4.7K (1608)		R368	1-247-813-91	RES, CARBON (SMALL) 180	
R233	1-216-829-91	RES, CHIP 4.7K (1608)		R501	1-216-817-91	RES, CHIP 470 (1608)	
R234	1-216-830-91	RES, CHIP 5.6K (1608)		R502	1-216-821-91	RES, CHIP 1K (1608)	
R235	1-216-830-91	RES, CHIP 5.6K (1608)		R503	1-216-821-91	RES, CHIP 1K (1608)	
R236	1-247-793-91	RES, CARBON (SMALL) 27		R504	1-216-821-91	RES, CHIP 1K (1608)	
R237	1-216-836-91	RES, CHIP 18K (1608)		R505	1-216-821-91	RES, CHIP 1K (1608)	
R238	1-216-836-91	RES, CHIP 18K (1608)		R506	1-216-821-91	RES, CHIP 1K (1608)	
R239	1-216-825-91	RES, CHIP 2.2K (1608)		R507	1-216-833-91	RES, CHIP 10K (1608)	
R240	1-247-831-91	RES, CARBON (SMALL) 1.0K		R508	1-216-841-91	RES, CHIP 47K (1608)	
R241	1-216-825-91	RES, CHIP 2.2K (1608)		R509	1-216-833-91	RES, CHIP 10K (1608)	
R242	1-216-829-91	RES, CHIP 4.7K (1608)		R510	1-216-833-91	RES, CHIP 10K (1608)	
R243	1-247-879-91	RES, CARBON (SMALL) 100K		R511	1-216-821-91	RES, CHIP 1K (1608)	
R245	1-216-850-91	RES, CHIP 270K (1608)		R512	1-216-833-91	RES, CHIP 10K (1608)	
R246	1-216-850-91	RES, CHIP 270K (1608)		R513	1-247-855-91	RES, CARBON (SMALL) 10K	
R247	1-216-845-91	RES, CHIP 1M (1608)		R514	1-216-821-91	RES, CHIP 1K (1608)	
R250	1-216-839-91	RES, CHIP 33K (1608)		R515	1-216-821-91	RES, CHIP 1K (1608)	
R251	1-216-839-91	RES, CHIP 33K (1608)		R516	1-216-821-91	RES, CHIP 1K (1608)	
R252	1-216-825-91	RES, CHIP 2.2K (1608)		R517	1-216-821-91	RES, CHIP 1K (1608)	
R253	1-247-839-91	RES, CARBON (SMALL) 2.2K		R518	1-247-831-91	RES, CARBON (SMALL) 1.0K	
R305	1-247-835-91	RES, CARBON (SMALL) 1.5K		R519	1-247-831-91	RES, CARBON (SMALL) 1.0K	
R306	1-247-835-91	RES, CARBON (SMALL) 1.5K		R520	1-247-831-91	RES, CARBON (SMALL) 1.0K	
R309	1-216-993-91	RES, CHIP 2.4K (1608)		R521	1-247-831-91	RES, CARBON (SMALL) 1.0K	
R310	1-216-821-91	RES, CHIP 1K (1608)		R522	1-216-821-91	RES, CHIP 1K (1608)	
R311	1-247-859-91	RES, CARBON (SMALL) 15K		R523	1-247-831-91	RES, CARBON (SMALL) 1.0K	
R312	1-247-767-91	RES, CARBON (SMALL) 2.2		R524	1-216-833-91	RES, CHIP 10K (1608)	
R313	1-247-767-91	RES, CARBON (SMALL) 2.2		R525	1-216-833-91	RES, CHIP 10K (1608)	
R314	1-216-809-91	RES, CHIP 100 (1608)		R526	1-216-833-91	RES, CHIP 10K (1608)	
R315	1-216-809-91	RES, CHIP 100 (1608)		R527	1-216-833-91	RES, CHIP 10K (1608)	
R321	1-247-823-91	RES, CARBON (SMALL) 470		R528	1-216-833-91	RES, CHIP 10K (1608)	
R322	1-247-847-91	RES, CARBON (SMALL) 4.7K		R529	1-216-821-91	RES, CHIP 1K (1608)	
R323	1-259-033-91	RES, CARBON (SMALL) 1.0		R530	1-247-831-91	RES, CARBON (SMALL) 1.0K	
R324	1-259-033-91	RES, CARBON (SMALL) 1.0		R531	1-247-855-91	RES, CARBON (SMALL) 10K	
R325	1-216-838-91	RES, CHIP 27K (1608)		R533	1-216-833-91	RES, CHIP 10K (1608)	
R326	1-216-838-91	RES, CHIP 27K (1608)		R534	1-216-809-91	RES, CHIP 100 (1608)	
R327	1-208-389-51	RES, CHIP 10		R535	1-216-833-91	RES, CHIP 10K (1608)	
R328	1-216-833-91	RES, CHIP 10K (1608)		R536	1-216-803-91	RES, CHIP 33 (1608)	
△ R331	1-212-881-91	RES, CARBON (SMALL) RES,		R537	1-216-829-91	RES, CHIP 4.7K (1608)	
R332	1-216-825-91	RES, CHIP 2.2K (1608)		R538	1-216-821-91	RES, CHIP 1K (1608)	
R333	1-247-855-91	RES, CARBON (SMALL) 10K		R539	1-216-817-91	RES, CHIP 470 (1608)	
R334	1-247-855-91	RES, CARBON (SMALL) 10K		R540	1-216-821-91	RES, CHIP 1K (1608)	
R335	1-216-829-91	RES, CHIP 4.7K (1608)		R541	1-216-821-91	RES, CHIP 1K (1608)	
R336	1-216-820-91	RES, CHIP 820 (1608)		R542	1-216-821-91	RES, CHIP 1K (1608)	
R337	1-216-829-91	RES, CHIP 4.7K (1608)		R543	1-247-879-91	RES, CARBON (SMALL) 100K	
R338	1-247-783-91	RES, CARBON (SMALL) 10		R547	1-216-833-91	RES, CHIP 10K (1608)	
R340	1-216-830-91	RES, CHIP 5.6K (1608)		R548	1-216-833-91	RES, CHIP 10K (1608)	
R341	1-216-838-91	RES, CHIP 27K (1608)		R549	1-216-821-91	RES, CHIP 1K (1608)	
R342	1-216-838-91	RES, CHIP 27K (1608)		R550	1-216-821-91	RES, CHIP 1K (1608)	
R350	1-247-831-91	RES, CARBON (SMALL) 1					

Ref. No.	Part No.	Description	Remark	Ref. No.	Part No.	Description	Remark
R552	1-216-821-91	RES, CHIP 1K (1608)			9-885-077-15	MPEG BOARD, COMPLETE (US,CND)	
R553	1-216-821-91	RES, CHIP 1K (1608)			9-885-079-69	MPEG BOARD, COMPLETE (SP,KR)	
R554	1-216-821-91	RES, CHIP 1K (1608)			9-885-079-70	MPEG BOARD, COMPLETE (AEP,UK)	
R556	1-216-833-91	RES, CHIP 10K (1608)			9-885-079-71	MPEG BOARD, COMPLETE (AUS)	
					9-885-079-72	MPEG BOARD, COMPLETE (E51)	
R557	1-216-821-91	RES, CHIP 1K (1608)					
R558	1-216-833-91	RES, CHIP 10K (1608)			9-885-079-73	MPEG BOARD, COMPLETE (E3)	
R559	1-216-821-91	RES, CHIP 1K (1608)			9-885-079-99	MPEG BOARD, COMPLETE (RU)	
R560	1-216-821-91	RES, CHIP 1K (1608)				*****	
R561	1-216-821-91	RES, CHIP 1K (1608)					
						< CAPACITOR >	
R562	1-216-849-91	RES, CHIP 220K (1608)					
R563	1-216-844-91	RES, CHIP 82K (1608)		C128	1-162-968-91	CAP,CHIP CERAMIC 4700PF B 1608	
R565	1-216-842-91	RES, CHIP 56K (1608)		C701	1-164-156-91	CAP, CHIP CERAMIC 0.1MF F 1608	
R566	1-216-841-91	RES, CHIP 47K (1608)		C702	1-164-156-91	CAP, CHIP CERAMIC 0.1MF F 1608	
R567	1-216-825-91	RES, CHIP 2.2K (1608)		C703	1-164-156-91	CAP, CHIP CERAMIC 0.1MF F 1608	
				C704	1-164-156-91	CAP, CHIP CERAMIC 0.1MF F 1608	
R568	1-216-821-91	RES, CHIP 1K (1608)					
R569	1-216-825-91	RES, CHIP 2.2K (1608)		C705	1-164-156-91	CAP, CHIP CERAMIC 0.1MF F 1608	
R570	1-216-819-91	RES, CHIP 680 (1608)		C706	1-115-340-91	CAP, CERAMIC 24PF CH 1608 (AEP,UK,RU)	
R571	1-216-821-91	RES, CHIP 1K (1608)		C707	1-164-156-91	CAP, CHIP CERAMIC 0.1MF F 1608	
R572	1-216-833-91	RES, CHIP 10K (1608)		C712	1-164-156-91	CAP, CHIP CERAMIC 0.1MF F 1608	
				C713	1-126-925-71	CAP, ELECT 470MF	
R573	1-216-841-91	RES, CHIP 47K (1608)					
R574	1-247-855-91	RES, CARBON (SMALL) 10K		C714	1-104-664-71	CAP, ELECT 47MF	
R576	1-216-819-91	RES, CHIP 680 (1608)		C715	1-164-156-91	CAP, CHIP CERAMIC 0.1MF F 1608	
R577	1-216-821-91	RES, CHIP 1K (1608)		C716	1-164-156-91	CAP, CHIP CERAMIC 0.1MF F 1608	
R578	1-216-829-91	RES, CHIP 4.7K (1608)		C717	1-126-925-71	CAP, ELECT 470MF	
				C718	1-126-933-71	CAP, ELECT 100MF	
R581	1-216-822-91	RES, CHIP 1.2K (1608) (AEP,UK)					
R581	1-216-826-91	RES, CHIP 2.7K (1608) (SP,KR)		C719	1-164-156-91	CAP, CHIP CERAMIC 0.1MF F 1608	
R581	1-216-829-91	RES, CHIP 4.7K (1608) (US,CND)		C720	1-164-156-91	CAP, CHIP CERAMIC 0.1MF F 1608	
R581	1-216-833-91	RES, CHIP 10K (1608) (RU)		C723	1-126-933-71	CAP, ELECT 100MF	
R581	1-216-835-91	RES, CHIP 15K (1608) (E3,E51)		C724	1-164-156-91	CAP, CHIP CERAMIC 0.1MF F 1608	
				C727	1-164-156-91	CAP, CHIP CERAMIC 0.1MF F 1608	
R581	1-218-292-91	RES, CHIP24K (1608) (AUS)					
R582	1-216-864-91	CONDUCTOR, CHIP (1608)		C728	1-126-964-71	CAP, ELECT 10MF	
R583	1-216-838-91	RES, CHIP 27K (1608)		C729	1-164-156-91	CAP, CHIP CERAMIC 0.1MF F 1608	
R584	1-247-855-91	RES, CARBON (SMALL) 10K		C734	1-164-156-91	CAP, CHIP CERAMIC 0.1MF F 1608	
		(EXCEPT US,CND,SP,E3)		C735	1-104-664-71	CAP, ELECT 47MF	
R584	1-216-833-91	RES, CHIP 10K (1608) (US,CND,SP,E3)		C736	1-164-156-91	CAP, CHIP CERAMIC 0.1MF F 1608	
R585	1-247-855-91	RES, CARBON (SMALL) 10K		C737	1-164-156-91	CAP, CHIP CERAMIC 0.1MF F 1608	
		(EXCEPT US,CND,SP,E3)		C738	1-164-156-91	CAP, CHIP CERAMIC 0.1MF F 1608	
R585	1-216-833-91	RES, CHIP 10K (1608) (US,CND,SP,E3)		C739	1-115-416-91	CAP,CHIP CERAMIC1000PF CH 1608	
R586	1-216-864-91	CONDUCTOR, CHIP (1608)		C742	1-164-156-91	CAP, CHIP CERAMIC 0.1MF F 1608	
				C747	1-164-156-91	CAP, CHIP CERAMIC 0.1MF F 1608	
		< TRANSFORMER >					
T201	9-885-059-58	OSCILLATION, BIAS TRANSFORMER		C748	1-164-156-91	CAP, CHIP CERAMIC 0.1MF F 1608	
				C751	1-164-156-91	CAP, CHIP CERAMIC 0.1MF F 1608	
		< VIBRATOR >		C752	1-164-156-91	CAP, CHIP CERAMIC 0.1MF F 1608	
				C753	1-164-156-91	CAP, CHIP CERAMIC 0.1MF F 1608	
				C754	1-164-156-91	CAP, CHIP CERAMIC 0.1MF F 1608	
X501	9-885-059-48	VIBRATOR, CRYSTAL (32.768KHz)					
X502	9-885-059-52	OSCILLATOR, CERAMIC (8.38MHz)		C755	1-164-156-91	CAP, CHIP CERAMIC 0.1MF F 1608	
		*****		C756	1-164-156-91	CAP, CHIP CERAMIC 0.1MF F 1608	
				C760	1-164-156-91	CAP, CHIP CERAMIC 0.1MF F 1608	
				C763	1-164-156-91	CAP, CHIP CERAMIC 0.1MF F 1608	
				C764	1-164-156-91	CAP, CHIP CERAMIC 0.1MF F 1608	
				C765	1-164-156-91	CAP, CHIP CERAMIC 0.1MF F 1608	
				C766	1-164-156-91	CAP, CHIP CERAMIC 0.1MF F 1608	
				C767	1-164-156-91	CAP, CHIP CERAMIC 0.1MF F 1608	
				C768	1-162-915-91	CAP, CERAMIC 10PF CH 1608	
				C769	1-162-915-91	CAP, CERAMIC 10PF CH 1608	
				C770	1-164-156-91	CAP, CHIP CERAMIC 0.1MF F 1608	
				C771	1-164-156-91	CAP, CHIP CERAMIC 0.1MF F 1608	
				C772	1-162-962-91	CAP, CERAMIC 470PF B 1608	

HCD-DV2D

MPEG

Ref. No.	Part No.	Description	Remark	Ref. No.	Part No.	Description	Remark
C773	1-162-970-91	CAP, CHIP CERAMIC 0.01MF B 1608		CD704	1-164-156-91	CAP, CHIP CERAMIC 0.1MF F 1608	
C774	1-164-363-91	CAP,CERAMIC 560PF SL 1608		CD705	1-164-156-91	CAP, CHIP CERAMIC 0.1MF F 1608	
C775	1-162-962-91	CAP, CERAMIC 470PF B 1608		CD706	1-126-925-71	CAP, ELECT 470MF	
C776	1-164-156-91	CAP, CHIP CERAMIC 0.1MF F 1608		CD707	1-164-156-91	CAP, CHIP CERAMIC 0.1MF F 1608	
C777	1-164-156-91	CAP, CHIP CERAMIC 0.1MF F 1608		CD708	1-126-933-71	CAP, ELECT 100MF	
C778	1-164-156-91	CAP, CHIP CERAMIC 0.1MF F 1608		CD709	1-164-156-91	CAP, CHIP CERAMIC 0.1MF F 1608	
C780	1-164-156-91	CAP, CHIP CERAMIC 0.1MF F 1608		CD710	1-126-898-61	CAP, ELECT 220MF	
C781	1-164-156-91	CAP, CHIP CERAMIC 0.1MF F 1608		CD711	1-164-156-91	CAP, CHIP CERAMIC 0.1MF F 1608	
C782	1-164-156-91	CAP, CHIP CERAMIC 0.1MF F 1608		CD712	1-164-156-91	CAP, CHIP CERAMIC 0.1MF F 1608	
C783	1-164-156-91	CAP, CHIP CERAMIC 0.1MF F 1608		CD713	1-126-933-71	CAP, ELECT 100MF	
C784	1-164-156-91	CAP, CHIP CERAMIC 0.1MF F 1608		CD714	1-164-388-91	CAP, CERAMIC 270PF CH 1608	
C785	1-162-956-91	CAP, CERAMIC 180PF SL 1608				(EXCEPT US,CND)	
C786	1-164-156-91	CAP, CHIP CERAMIC 0.1MF F 1608		CD714	1-164-388-91	CAP, CERAMIC 270PF CH 1608 (US,CND)	
C795	1-164-156-91	CAP, CHIP CERAMIC 0.1MF F 1608		CD715	1-164-156-91	CAP, CHIP CERAMIC 0.1MF F 1608	
C801	1-164-156-91	CAP, CHIP CERAMIC 0.1MF F 1608		CD716	1-104-660-71	CAP, ELECT 47MF	
C802	1-164-156-91	CAP, CHIP CERAMIC 0.1MF F 1608		CD717	1-164-156-91	CAP, CHIP CERAMIC 0.1MF F 1608	
C803	1-164-156-91	CAP, CHIP CERAMIC 0.1MF F 1608		CD718	1-104-660-71	CAP, ELECT 47MF	
C805	1-164-156-91	CAP, CHIP CERAMIC 0.1MF F 1608		CD719	1-104-660-71	CAP, ELECT 47MF	
C806	1-104-660-71	CAP, ELECT 47MF		CD720	1-164-156-91	CAP, CHIP CERAMIC 0.1MF F 1608	
C807	1-164-156-91	CAP, CHIP CERAMIC 0.1MF F 1608		CD721	1-164-156-91	CAP, CHIP CERAMIC 0.1MF F 1608	
C808	1-104-660-71	CAP, ELECT 47MF		CD722	1-104-660-71	CAP, ELECT 47MF	
C810	1-115-156-91	CAP, CERAMIC 1000000PF F 1608		CD723	1-104-660-71	CAP, ELECT 47MF	
C811	1-162-965-81	CAP,CERAMIC 150PF CH 1608		CD724	1-104-660-71	CAP, ELECT 47MF	
C812	1-162-924-91	CAP, CERAMIC 56PF CH 1608		CD725	1-104-660-71	CAP, ELECT 47MF	
C813	1-104-660-71	CAP, ELECT 47MF		CD726	1-104-660-71	CAP, ELECT 47MF	
C815	1-162-908-91	CAP, CERAMIC 3.0PF CJ 1608		CD727	1-104-660-71	CAP, ELECT 47MF	
C816	1-162-924-91	CAP, CERAMIC 56PF CH 1608		CD728	1-164-156-91	CAP, CHIP CERAMIC 0.1MF F 1608	
C818	1-162-968-91	CAP,CHIP CERAMIC 4700PF B 1608		CD729	1-164-156-91	CAP, CHIP CERAMIC 0.1MF F 1608	
C819	1-164-363-91	CAP,CERAMIC 560PF SL 1608		CD730	1-164-156-91	CAP, CHIP CERAMIC 0.1MF F 1608	
C820	1-115-156-91	CAP, CERAMIC 1000000PF F 1608		CD731	1-164-156-91	CAP, CHIP CERAMIC 0.1MF F 1608	
C821	1-165-176-91	CAP,CERAMIC 47000PF B 1608		CD732	1-164-156-91	CAP, CHIP CERAMIC 0.1MF F 1608	
C822	1-162-924-91	CAP, CERAMIC 56PF CH 1608		CD733	1-164-156-91	CAP, CHIP CERAMIC 0.1MF F 1608	
C823	1-162-924-91	CAP, CERAMIC 56PF CH 1608		CD734	1-126-898-61	CAP, ELECT 220MF	
C824	1-162-968-91	CAP,CHIP CERAMIC 4700PF B 1608		CD735	1-162-921-91	CAP, CERAMIC 33PF CH 1608	
C825	1-115-416-91	CAP,CHIP CERAMIC1000PF CH 1608		CD736	1-162-921-91	CAP, CERAMIC 33PF CH 1608	
C826	1-162-924-91	CAP, CERAMIC 56PF CH 1608		CD738	1-164-156-91	CAP, CHIP CERAMIC 0.1MF F 1608	
C827	1-162-924-91	CAP, CERAMIC 56PF CH 1608		CD739	1-164-156-91	CAP, CHIP CERAMIC 0.1MF F 1608	
C829	1-164-363-91	CAP,CERAMIC 560PF SL 1608		CD740	1-164-156-91	CAP, CHIP CERAMIC 0.1MF F 1608	
C830	1-115-416-91	CAP,CHIP CERAMIC1000PF CH 1608		CD741	1-164-156-91	CAP, CHIP CERAMIC 0.1MF F 1608	
C831	1-162-927-91	CAP, CERAMIC 100PF CH 1608		CD742	1-164-156-91	CAP, CHIP CERAMIC 0.1MF F 1608	
C832	1-162-962-91	CAP, CERAMIC 470PF B 1608		CD743	1-164-156-91	CAP, CHIP CERAMIC 0.1MF F 1608	
C833	1-115-416-91	CAP,CHIP CERAMIC1000PF CH 1608		CD744	1-104-660-71	CAP, ELECT 47MF	
C834	1-126-964-71	CAP, ELECT 10MF		CD745	1-164-156-91	CAP, CHIP CERAMIC 0.1MF F 1608	
C835	1-162-927-91	CAP, CERAMIC 100PF CH 1608		CD746	1-164-156-91	CAP, CHIP CERAMIC 0.1MF F 1608	
C836	1-115-416-91	CAP,CHIP CERAMIC1000PF CH 1608		CD748	1-164-156-91	CAP, CHIP CERAMIC 0.1MF F 1608	
C838	1-126-964-71	CAP, ELECT 10MF		CD749	1-164-156-91	CAP, CHIP CERAMIC 0.1MF F 1608	
C840	1-162-907-91	CAP, CERAMIC 2.0PF CK 1608		CD750	1-164-156-91	CAP, CHIP CERAMIC 0.1MF F 1608	
C841	1-162-907-91	CAP, CERAMIC 2.0PF CK 1608		CD751	1-164-156-91	CAP, CHIP CERAMIC 0.1MF F 1608	
C842	1-162-907-91	CAP, CERAMIC 2.0PF CK 1608		CD752	1-164-156-91	CAP, CHIP CERAMIC 0.1MF F 1608	
C843	1-162-907-91	CAP, CERAMIC 2.0PF CK 1608		CD753	1-164-156-91	CAP, CHIP CERAMIC 0.1MF F 1608	
C849	1-164-156-91	CAP, CHIP CERAMIC 0.1MF F 1608		CD754	1-164-156-91	CAP, CHIP CERAMIC 0.1MF F 1608	
C850	1-164-156-91	CAP, CHIP CERAMIC 0.1MF F 1608		CD755	1-164-156-91	CAP, CHIP CERAMIC 0.1MF F 1608	
CC814	1-164-390-91	CAP, CERAMIC 330PF CH 1608 (US,CND)		CD757	1-104-660-71	CAP, ELECT 47MF	
CD37	1-164-156-91	CAP, CHIP CERAMIC 0.1MF F 1608		CD758	1-126-898-61	CAP, ELECT 220MF	
CD701	1-164-156-91	CAP, CHIP CERAMIC 0.1MF F 1608		CD759	1-164-156-91	CAP, CHIP CERAMIC 0.1MF F 1608	
CD702	1-126-933-71	CAP, ELECT 100MF		CD760	1-164-156-91	CAP, CHIP CERAMIC 0.1MF F 1608	
CD703	1-164-156-91	CAP, CHIP CERAMIC 0.1MF F 1608		CD761	1-164-156-91	CAP, CHIP CERAMIC 0.1MF F 1608	
				CD762	1-164-156-91	CAP, CHIP CERAMIC 0.1MF F 1608	

Ref. No.	Part No.	Description	Remark	Ref. No.	Part No.	Description	Remark
CD763	1-164-156-91	CAP, CHIP CERAMIC 0.1MF F 1608		DD703	8-719-904-01	DIODE 1N4001	
CD764	1-164-156-91	CAP, CHIP CERAMIC 0.1MF F 1608		DD705	9-885-059-55	DIODE ,LL4148,SM (EXCEPT AEP,UK,RU)	
CD765	1-164-156-91	CAP, CHIP CERAMIC 0.1MF F 1608		DD705	9-885-059-55	DIODE LL4148 (AEP,UK,RU)	
CD766	1-162-970-91	CAP, CHIP CERAMIC 0.01MF B 1608		DD706	9-885-059-55	DIODE ,LL4148,SM (EXCEPT AEP,UK,RU)	
CD767	1-162-970-91	CAP, CHIP CERAMIC 0.01MF B 1608		DD706	9-885-059-55	DIODE LL4148 (AEP,UK,RU)	
CD768	1-162-970-91	CAP, CHIP CERAMIC 0.01MF B 1608		DD707	9-885-059-55	DIODE ,LL4148,SM (EXCEPT AEP,UK,RU)	
CD769	1-162-970-91	CAP, CHIP CERAMIC 0.01MF B 1608		DD707	9-885-059-55	DIODE LL4148 (AEP,UK,RU)	
CD770	1-126-933-71	CAP, ELECT 100MF (AEP,UK,RU)		DD708	9-885-059-55	DIODE ,LL4148,SM (EXCEPT AEP,UK,RU)	
CD771	1-126-964-71	CAP, ELECT 10MF		DD708	9-885-059-55	DIODE LL4148 (AEP,UK,RU)	
CD772	1-164-156-91	CAP, CHIP CERAMIC 0.1MF F 1608		DD709	9-885-059-55	DIODE ,LL4148,SM	
CD773	1-164-217-91	CAP,CERAMIC 150PF CH 1608		DD710	9-885-059-55	DIODE ,LL4148,SM	
CD774	1-164-156-91	CAP, CHIP CERAMIC 0.1MF F 1608		DD711	9-885-059-55	DIODE ,LL4148,SM (EXCEPT AEP,UK,RU)	
CD775	1-126-964-71	CAP, ELECT 10MF		DD711	9-885-059-55	DIODE LL4148 (AEP,UK,RU)	
CD776	1-126-964-71	CAP, ELECT 10MF		DD712	9-885-059-55	DIODE ,LL4148,SM (EXCEPT AEP,UK,RU)	
CD777	1-115-416-91	CAP,CHIP CERAMIC1000PF CH 1608		DD712	9-885-059-55	DIODE LL4148 (AEP,UK,RU)	
CD778	1-164-217-91	CAP,CERAMIC 150PF CH 1608				< FERRITE BEAD >	
CD779	1-126-964-71	CAP, ELECT 10MF		FB701	1-500-445-21	FERRITE, EMI (SMD) (2012)	
CD780	1-126-964-71	CAP, ELECT 10MF		FB703	1-500-445-21	FERRITE, EMI (SMD) (2012)	
CD781	1-162-970-91	CAP, CHIP CERAMIC 0.01MF B 1608	(AEP,UK,RU)	FB704	1-500-445-21	FERRITE, EMI (SMD) (2012)	
CD782	1-115-416-91	CAP,CHIP CERAMIC1000PF CH 1608		FB707	9-885-059-47	BEAD, FERRITE	
CD783	1-126-925-71	CAP, ELECT 470MF (AEP,UK,RU)		FB708	1-500-445-21	FERRITE, EMI (SMD) (2012)	
CD784	1-126-925-71	CAP, ELECT 470MF (AEP,UK,RU)		FB709	1-500-445-21	FERRITE, EMI (SMD) (2012)	
CD785	1-162-970-91	CAP, CHIP CERAMIC 0.01MF B 1608	(AEP,UK,RU)	FBD701	1-216-864-91	CONDUCTOR, CHIP (1608)	
CD786	1-131-992-91	CAP, CERAMIC 100000PF F 1608 (AEP,UK,RU)		FBD702	1-216-864-91	CONDUCTOR, CHIP (1608)	
CD787	1-131-992-91	CAP, CERAMIC 100000PF F 1608 (AEP,UK,RU)		FBD703	1-216-864-91	CONDUCTOR, CHIP (1608)	
CD788	1-126-964-71	CAP, ELECT 10MF		FBD704	1-216-864-91	CONDUCTOR, CHIP (1608)	
CD795	1-162-919-91	CAP, CERAMIC 22PF CH 1608	(EXCEPT US,CND)	FBD705	1-500-445-21	FERRITE, EMI (SMD) (2012)	
CD799	1-164-388-91	CAP, CERAMIC 270PF CH 1608 (AEP,UK,RU)		FBD706	1-500-445-21	FERRITE, EMI (SMD) (2012)	
CD800	1-164-390-91	CAP, CERAMIC 330PF CH 1608 (AEP,UK,RU)		FBD707	1-500-445-21	FERRITE, EMI (SMD) (2012)	
CD803	1-162-919-91	CAP, CERAMIC 22PF CH 1608	(EXCEPT US,CND)	FBD708	1-500-445-21	FERRITE, EMI (SMD) (2012)	
CD806	1-164-388-91	CAP, CERAMIC 270PF CH 1608 (AEP,UK,RU)		FBD709	1-500-445-21	FERRITE, EMI (SMD) (2012)	
CD807	1-164-390-91	CAP, CERAMIC 330PF CH 1608 (AEP,UK,RU)		FBD710	1-500-445-21	FERRITE, EMI (SMD) (2012)	
CD809	1-162-919-91	CAP, CERAMIC 22PF CH 1608	(EXCEPT US,CND)	FBD715	1-500-445-21	FERRITE, EMI (SMD) (2012)	
CD809	1-162-919-91	CAP, CERAMIC 22PF CH 1608 (US,CND)		FBD716	1-500-445-21	FERRITE, EMI (SMD) (2012)	
CD810	1-162-919-91	CAP, CERAMIC 22PF CH 1608	(EXCEPT US,CND)	FBD719	1-500-445-21	FERRITE, EMI (SMD) (2012)	
CD813	1-164-388-91	CAP, CERAMIC 270PF CH 1608	(EXCEPT US,CND)	FBD721	1-500-445-21	FERRITE, EMI (SMD) (2012)	
CD813	1-164-388-91	CAP, CERAMIC 270PF CH 1608 (US,CND)		FBD722	1-500-445-21	FERRITE, EMI (SMD) (2012)	
CD814	1-164-390-91	CAP, CERAMIC 330PF CH 1608	(EXCEPT US,CND)	FBD723	1-500-445-21	FERRITE, EMI (SMD) (2012)	
CD815	1-164-388-91	CAP, CERAMIC 270PF CH 1608 (AEP,UK,RU)		FBD725	1-500-445-21	FERRITE, EMI (SMD) (2012)	
CD816	1-164-390-91	CAP, CERAMIC 330PF CH 1608 (AEP,UK,RU)		FBD726	1-500-445-21	FERRITE, EMI (SMD) (2012)	
CD819	1-164-156-91	CAP, CHIP CERAMIC 0.1MF F 1608		FBD728	1-500-445-21	FERRITE, EMI (SMD) (2012)	
CD820	1-104-660-71	CAP, ELECT 47MF		FBD729	1-500-445-21	FERRITE, EMI (SMD) (2012)	
		< DIODE >		FBD730A	1-500-445-21	FERRITE, EMI (SMD) (2012)	
D701	9-885-059-55	DIODE ,LL4148,SM		FBD730	1-500-445-21	FERRITE, EMI (SMD) (2012)	
D702	8-719-082-07	DIODE KDS121-RTK		FBD731	1-500-445-21	FERRITE, EMI (SMD) (2012)	
D703	8-719-083-93	DIODE KDS120-RTK		FBD732	1-500-445-21	FERRITE, EMI (SMD) (2012)	
D704	8-719-947-17	DIODE MTZJ-T-72-5.1B		FBD733	1-500-445-21	FERRITE, EMI (SMD) (2012)	
D705	8-719-947-17	DIODE MTZJ-T-72-5.1B				< CONNECTOR >	
D706	8-719-991-33	DIODE 1SS133T-77		J701	1-784-731-11	CONNECTOR, FFC 9P	
DD702	8-719-904-01	DIODE 1N4001		J702	9-885-061-74	CONNECTOR (9P)	
				J703	1-784-766-11	CONNECTOR, FFC 5P (EXCEPT AEP,UK,RU)	
				J703	1-784-772-11	CONNECTOR, FFC 14P (AEP,UK,RU)	
				J705	9-885-059-75	CONNECTOR,FFC/FPC(LIF)(ZIF)24P	
				J706	9-885-059-76	CONNECTOR, FFC/FPC 6P	
				J707	1-564-721-11	PIN, CONNECTOR (SMALL TYPE) 5P	

HCD-DV2D

MPEG

Ref. No.	Part No.	Description	Remark	Ref. No.	Part No.	Description	Remark
JD702	9-885-059-46	CONNECTOR (4P)		R738	1-216-838-91	RES, 27K (1608)	
JD704	9-885-059-46	CONNECTOR (4P)		R739	1-216-833-91	RES, 10K (1608)	
		< COIL >		R740	1-216-833-91	RES, 10K (1608)	
L701	1-500-445-21	FERRITE, EMI (SMD) (2012)		R746	1-216-815-91	RES, 330 (1608)	
L702	1-500-445-21	FERRITE, EMI (SMD) (2012)		R747	1-216-857-91	RES, 1M (1608)	
L703	1-410-323-11	INDUCTORS 3.6uH		R748	1-216-831-91	RES, 6.8K (1608)	
L704	1-414-752-11	INDUCTORS 2.2uH		R749	1-216-813-91	RES, 220 (1608)	
L705	1-410-328-11	FIXED INDUCTORS 10uH		R751	1-216-830-91	RES, 5.6K (1608)	
LD701	1-410-334-11	INDUCTOR, MICRO 100UH		R752	1-216-833-91	RES, 10K (1608)	
LD702	1-410-996-11	CHIP INDUCTOR 1.8UH		R756	1-216-831-91	RES, 6.8K (1608)	
LD703	1-410-996-11	CHIP INDUCTOR 1.8UH		R757	1-216-833-91	RES, 10K (1608)	
LD704	1-410-334-11	CHIP INDUCTOR 1.8UH		R758	1-216-837-91	RES, 22K (1608)	
LD704	1-410-996-11	CHIP INDUCTOR 1.8UH		R759	1-216-837-91	RES, 22K (1608)	
LD705	1-410-996-11	CHIP INDUCTOR 1.8UH		R760	1-216-845-91	RES, 100K (1608)	
		< TRANSISTOR >		R761	1-216-822-91	RES, 1.2K (1608)	
Q710	8-729-034-51	TRANSISTOR KTC3875		R762	1-216-829-91	RES, 4.7K (1608)	
Q711	8-729-034-51	TRANSISTOR KTC3875		R763	1-216-824-91	RES, 1.8K (1608)	
Q712	8-729-034-51	TRANSISTOR KTC3875		R766	1-216-822-91	RES, 1.2K (1608)	
Q713	8-729-034-51	TRANSISTOR KTC3875		R768	1-216-819-91	RES, 680 (1608)	
Q714	8-729-055-28	TRANSISTOR KTA1505S-GR-RTK		R769	1-216-864-91	CONDUCTOR, CHIP (1608)	
Q715	8-729-055-28	TRANSISTOR KTA1505S-GR-RTK		R770	1-247-783-91	RES, 10	
Q851	8-729-900-58	TRANSISTOR DTC114EK		R780	1-216-829-91	RES, 4.7K (1608)	
Q855	8-729-113-08	TRANSISTOR 2N3906		R781	1-216-831-91	RES, 6.8K (1608)	
Q856	8-729-200-71	TRANSISTOR 2SC2712G-TE85L		R782	1-216-831-91	RES, 6.8K (1608)	
QD704	8-729-028-83	TRANSISTOR DTA124EUA-T106		R785	1-216-022-91	RES, 75 (1608)	
QD705	8-729-200-71	TRANSISTOR 2SC2712G-TE85L		R786	1-216-864-91	CONDUCTOR, CHIP (1608)	
QD706	8-729-200-71	TRANSISTOR 2SC2712G-TE85L		R787	1-216-833-91	RES, 10K (1608)	
QD707	8-729-113-08	TRANSISTOR 2N3906		R789	1-216-821-91	RES, 1K (1608)	
QD710	8-729-200-71	TRANSISTOR 2SC2712G-TE85L		R790	1-216-837-91	RES, 22K (1608)	
		< RESISTOR >		R791	1-216-833-91	RES, 10K (1608)	
R701	1-216-803-91	RES, 33 (1608)		R792	1-216-827-91	RES, 3.3K (1608)	
R702	1-216-833-91	RES, 10K (1608)		R793	1-202-926-91	RES, CHIP 36K (1608)	
R703	1-216-829-91	RES, 4.7K (1608)		R794	1-216-864-91	CONDUCTOR, CHIP (1608)	
R704	1-216-829-91	RES, 4.7K (1608)		R797	1-216-832-91	RES, 8.2K (1608)	
R705	1-216-833-91	RES, 10K (1608)		R799	1-216-839-91	RES, 33K (1608)	
R707	1-216-809-91	RES, 100 (1608)		R801	1-216-829-91	RES, 4.7K (1608)	
R708	1-216-829-91	RES, 4.7K (1608)		R804	1-216-833-91	RES, 10K (1608)	
R709	1-216-826-91	RES, 2.7K (1608)		R806	1-216-831-91	RES, 6.8K (1608)	
R710	1-216-826-91	RES, 2.7K (1608)		R808	1-216-841-91	RES, 47K (1608)	
R711	1-216-809-91	RES, 100 (1608)		R809	1-216-841-91	RES, 47K (1608)	
R712	1-216-809-91	RES, 100 (1608)		R810	1-216-841-91	RES, 47K (1608)	
R719	1-216-824-91	RES, 1.8K (1608)		R811	1-216-841-91	RES, 47K (1608)	
R725	1-216-830-91	RES, 5.6K (1608)		R812	1-216-832-91	RES, 8.2K (1608)	
R726	1-216-833-91	RES, 10K (1608)		R813	1-216-832-91	RES, 8.2K (1608)	
R727	1-216-830-91	RES, 5.6K (1608)		R814	1-216-832-91	RES, 8.2K (1608)	
R728	1-216-837-91	RES, 22K (1608)		R815	1-216-832-91	RES, 8.2K (1608)	
R729	1-216-831-91	RES, 6.8K (1608)		R816	1-218-447-91	RES, 62K (1608)	
R730	1-216-829-91	RES, 4.7K (1608)		R817	1-216-827-91	RES, 3.3K (1608)	
R731	1-220-158-91	RES, CHIP 3.6K (1608)		R819	1-216-839-91	RES, 33K (1608)	
R732	1-216-833-91	RES, 10K (1608)		R820	1-216-833-91	RES, 10K (1608)	
R733	1-216-829-91	RES, 4.7K (1608)		R821	1-216-839-91	RES, 33K (1608)	
R734	1-216-836-91	RES, 18K (1608)		R823	1-216-831-91	RES, 6.8K (1608)	
R735	1-216-837-91	RES, 22K (1608)		R824	1-216-861-91	RES, 2.2M (1608)	
R736	1-216-835-91	RES, 15K (1608)		R825	1-216-858-91	RES, 1.2M (1608)	
R737	1-216-833-91	RES, 10K (1608)		R826	1-216-831-91	RES, 6.8K (1608)	
				R827	1-216-856-91	RES, 820K (1608)	
				R829	1-216-833-91	RES, 10K (1608)	

Ref. No.	Part No.	Description	Remark	Ref. No.	Part No.	Description	Remark
R830	1-216-856-91	RES, 820K (1608)		RD732	1-216-829-91	RES, 4.7K (1608)	
R832	1-216-861-91	RES, 2.2M (1608)		RD734	1-216-864-91	CONDUCTOR, CHIP (1608) (EXCEPT US,CND)	
R833	1-216-840-91	RES, 39K (1608)		RD734	1-216-864-91	CONDUCTOR, CHIP (1608) (US,CND)	
R834	1-216-858-91	RES, 1.2M (1608)		RD736	1-216-829-91	RES, 4.7K (1608)	
R835	1-216-830-91	RES, 5.6K (1608)		RD737	1-216-829-91	RES, 4.7K (1608)	
R836	1-216-833-91	RES, 10K (1608)		RD738	1-216-864-91	CONDUCTOR, CHIP (1608) (EXCEPT US,CND)	
R837	1-216-837-91	RES, 22K (1608)		RD738	1-216-864-91	CONDUCTOR, CHIP (1608) (US,CND)	
R838	1-216-833-91	RES, 10K (1608)		RD739	1-216-821-91	RES, 1K (1608)	
R839	1-216-837-91	RES, 22K (1608)		RD741	1-216-829-91	RES, 4.7K (1608)	
R840	1-216-821-91	RES, 1K (1608)		RD742	1-216-815-91	RES, 330 (1608)	
R841	1-216-800-91	RES, 18 (1608)		RD743	1-216-821-91	RES, 1K (1608)	
R842	1-216-800-91	RES, 18 (1608)		RD744	1-218-285-91	RES, 75 (1608)	
R844	1-216-821-91	RES, 1K (1608)		RD745	1-216-829-91	RES, 4.7K (1608)	
R845	1-216-800-91	RES, 18 (1608)		RD746	1-216-803-91	RES, 33 (1608)	
R846	1-216-800-91	RES, 18 (1608)		RD747	1-216-803-91	RES, 33 (1608)	
R847	1-216-821-91	RES, 1K (1608)		RD748	1-216-829-91	RES, 4.7K (1608)	
R848	1-216-821-91	RES, 1K (1608)		RD749	1-216-829-91	RES, 4.7K (1608)	
R849	1-216-821-91	RES, 1K (1608)		RD750	1-216-829-91	RES, 4.7K (1608)	
R850	1-216-821-91	RES, 1K (1608)		RD751	1-216-864-91	CONDUCTOR, CHIP (1608) (EXCEPT US,CND)	
R851	1-216-864-91	CONDUCTOR, CHIP (1608)		RD751	1-216-864-91	CONDUCTOR, CHIP (1608) (US,CND)	
R852	1-216-837-91	RES, 22K (1608)		RD752	1-216-864-91	CONDUCTOR, CHIP (1608) (EXCEPT US,CND)	
R853	1-216-817-91	RES, 470 (1608)		RD752	1-216-864-91	CONDUCTOR, CHIP (1608) (US,CND)	
R853	1-216-829-91	RES, 4.7K (1608)		RD753	1-218-292-91	RES, 20K (1608)	
R854	1-216-841-91	RES, 47K (1608)		RD754	1-216-833-91	RES, 10K (1608) (AEP,UK,RU)	
R861	1-216-833-91	RES, 10K (1608)		RD756	1-218-330-91	RES, 11K (1608)	
R862	1-216-813-91	RES, 220 (1608)		RD757	1-216-827-91	RES, 3.3K (1608)	
R877	1-216-815-91	RES, 330 (1608)		RD758	1-216-833-91	RES, 10K (1608) (AEP,UK,RU)	
R878	1-216-841-91	RES, 47K (1608)		RD759	1-218-292-91	RES, 20K (1608)	
R879	1-216-833-91	RES, 10K (1608)		RD761	1-218-330-91	RES, 11K (1608)	
R880	1-216-845-91	RES, 100K (1608)		RD762	1-216-827-91	RES, 3.3K (1608)	
R881	1-216-813-91	RES, 220 (1608)		RD763	1-216-809-91	RES, 100 (1608) (AEP,UK,RU)	
R882	1-216-815-91	RES, 330 (1608)		RD765	1-216-829-91	RES, 4.7K (1608) (AEP,UK,RU)	
R883	1-216-815-91	RES, 330 (1608)		RD766	1-216-813-91	RES, 220 (1608) (AEP,UK,RU)	
R884	1-216-815-91	RES, 330 (1608)		RD766A	1-216-813-91	RES, 220 (1608) (AEP,UK,RU)	
R888	1-216-827-91	RES, 3.3K (1608)		RD766B	1-216-813-91	RES, 220 (1608) (AEP,UK,RU)	
RD701	1-216-817-91	RES, 470 (1608)		RD767	1-216-821-91	RES, 1K (1608) (AEP,UK,RU)	
RD704	1-216-803-91	RES, 33 (1608)		RD776	1-216-825-91	RES, 2.2K (1608) (US,CND)	
RD705	1-216-821-91	RES, 1K (1608)		RD776	1-216-841-91	RES, 47K (1608) (SPE3,KR)	
RD706	1-216-821-91	RES, 1K (1608)		RD777	1-216-841-91	RES, 47K (1608) (SPE3,KR)	
RD707	1-216-864-91	CONDUCTOR, CHIP (1608)		RD777	1-216-825-91	RES, 2.2K (1608) (US,CND)	
RD707	1-216-864-91	CONDUCTOR, CHIP (1608)		RD778	1-216-829-91	RES, 4.7K (1608)	
RD710	1-216-829-91	RES, 4.7K (1608)		RD780	1-216-022-91	RES, 75 (1608)	
RD711	1-216-829-91	RES, 4.7K (1608)		RD783	1-216-022-91	RES, 75 (1608) (EXCEPT US,CND)	
RD712	1-216-829-91	RES, 4.7K (1608)		RD784	1-216-837-91	RES, 22K (1608) (AEP,UK,RU)	
RD713	1-216-829-91	RES, 4.7K (1608)		RD790	1-216-022-91	RES, 75 (1608)	
RD715	1-216-798-91	RES, 12 (1608)		RD794	1-216-022-91	RES, 75 (1608)	
RD716	1-216-798-91	RES, 12 (1608)		RD795	1-216-022-91	RES, 75 (1608)	
RD717	1-216-828-91	RES, CHIP 39K (1608)		RD802	1-216-817-91	RES, 470 (1608)	
RD718	1-216-815-91	RES, 330 (1608)		RND701	1-239-518-11	RESISTOR, NETWORK (1608)	
RD719	1-216-829-91	RES, 4.7K (1608)		RND702	9-885-059-80	RESISTOR, NETWORK (1608)	
RD720	1-216-821-91	RES, 1K (1608)				< IC >	
RD722	1-216-829-91	RES, 4.7K (1608)		U702	9-885-059-62	IC SPX1117-1.8	
RD724	1-216-864-91	CONDUCTOR, CHIP (1608) (US,CND)		U704	8-759-825-13	IC PCM1748E/2K	
RD724	1-216-864-91	CONDUCTOR, CHIP (1608) (EXCEPT US,CND)		U705	8-759-970-89	IC BA10358F	
RD725	1-216-829-91	RES, 4.7K (1608)		U706	6-705-366-01	IC LA6560-TE-L-E	
RD726	1-216-829-91	RES, 4.7K (1608)		U707	9-885-059-64	IC LC78663N	
RD730	1-216-829-91	RES, 4.7K (1608)					
RD731	1-216-829-91	RES, 4.7K (1608)					

HCD-DV2D

MPEG **PT** **VIDEO OUT**

Ref. No.	Part No.	Description	Remark
U708	8-759-687-40	IC IS41LV16256-35T	
U709	9-885-059-71	IC LA9703W	
UD701	8-759-710-87	IC NJM2233BM-T1	
UD702	9-885-059-62	IC SPX1117-1.8	
UD703	9-885-059-63	IC AMS1117-1.8	
UD704	9-885-059-72	IC AMS1117-2.5	
UD705	9-885-059-74	IC ZR36748	
UD706	9-885-061-73	IC K4S161622H-TC/L60	
UD707	9-885-079-83	IC SST39VF00/TSOP-005	
UD708	6-705-669-01	IC AT24C02N-10SI-2.7	
UD709	8-759-909-71	IC BA4558F	
		< VIBRATOR >	
Y701	9-885-059-79	VIBRATOR, CRYSTAL (16.9344MHz)	
YD701	9-885-059-78	VIBRATOR, CRYSTAL (27.000MHz)	

	9-885-079-67	PT BOARD, COMPLETE (SP,E3,E51)	
	9-885-079-68	PT BOARD, COMPLETE (AEP,UK,RU,KR,AUS)	
	9-885-079-96	PT BOARD, COMPLETE (US,CND)	

		< CAPACITOR >	
C901	1-164-159-21	CAP, CERAMIC 0.1MF F	
C902	1-126-941-91	CAP, ELECT 470MF	
		< CONNECTOR >	
CN901	1-564-321-11	PIN, CONNECTOR(3.96mm PITCH)2P	
		< DIODE >	
D901	8-719-904-01	DIODE 1N4001	
D902	8-719-904-01	DIODE 1N4001	
D903	8-719-904-01	DIODE 1N4001	
D904	8-719-904-01	DIODE 1N4001	
D905	8-719-991-33	DIODE 1SS133T-77	
D906	8-719-991-33	DIODE 1SS133T-77	
D907	8-719-991-33	DIODE 1SS133T-77	
		< CONNECTOR >	
FW901	9-885-060-34	CONNECTOR(11P)	
		< LINE FILTER >	
△ LF901	9-885-070-81	AC LINE FILTER	
		< RESISTOR >	
R901	1-247-789-91	RES, CARBON (SMALL) 18 1/8W	
△ R902	1-219-237-51	RES,3.3M OHM 1/2W (US,CND)	
		< RELAY >	
△ RY901	9-885-059-96	RELAY, POWER	
		< SWITCH >	
△ SW901	1-786-404-11	SWITCH, POWER (VOLTAGE SELECTOR)	(SP,E3,E51)

Ref. No.	Part No.	Description	Remark
		< POWER TRANSFORMER >	
△ TP901	9-885-077-11	TRANSFORMER, POWER (US,CND)	
△ TP901	9-885-080-05	TRANSFORMER, POWER (SP,E3,E51)	
△ TP901	9-885-080-06	TRANSFORMER, POWER (AEP,UK,RU,AUS,KR)	
△ TP902	9-885-080-47	TRANSFORMER, POWER (US,CND)	
△ TP902	9-885-059-89	TRANSFORMER, POWER (SP,E3,E51)	
△ TP902	9-885-059-92	TRANSFORMER, POWER (AEP,UK,RU,AUS,KR)	

	9-885-079-98	VIDEO OUT BOARD, COMPLETE (AEP,UK,RU)	

		< CAPACITOR >	
C851B	1-164-156-91	CAP, CHIP CERAMIC 0.1MF F 1608	
C891	1-162-968-91	CAP, CHIP CERAMIC 0.01MF F 1608	
		< CONNECTOR >	
CN851B	1-784-772-11	CONNECTOR,11P	
		< FERRITE BEAD >	
FB851B	9-885-060-35	BEAD, FERRITE	
FB852	9-885-060-35	BEAD, FERRITE	
FB853	9-885-060-35	BEAD, FERRITE	
FB854	9-885-060-35	BEAD, FERRITE	
		< JACK >	
JK801B	9-885-059-83	OPTICAL TRANSMITTER PLT13	(DIGITAL OUT OPTICAL)
		< CONNECTOR >	
JK803B	9-885-061-75	CONNECTOR(21P) (≡ LINE-TV)	
		< COIL >	
L851B	1-410-328-11	INDUCTOR, MICRO 10UH	
		< RESISTOR >	
R858	1-216-821-91	RES, 1K (1608)	

		MISCELLANEOUS	

9	9-885-080-48	WIRE (FLAT TYPE) (5 CORE)	(EXCEPT AEP,UK,RU)
11	9-885-083-68	FAN, DC	
14	9-885-059-35	WIRE (FLAT TYPE) (11 CORE)	(EXCEPT AEP,UK,RU)
14	9-885-068-68	WIRE (FLAT TYPE) (15 CORE)(AEP,UK,RU)	
15	1-693-619-11	TUNER (FM/AM) (AEP,UK)	
15	1-693-620-11	TUNER (FM/AM) (SP,E3,E51,AUS)	
15	1-693-624-11	TUNER (FM/AM) (US,CND)	
15	9-885-080-50	TUNER (FM/AM) (RU,KR)	
16	9-885-080-49	WIRE (FLAT TYPE) (11 CORE)(AEP,UK,RU)	
62	9-885-059-38	WIRE (FLAT TYPE) (21 CORE)	
72	1-796-352-81	MECHANISM, SIGNAL CASSETTE	(CMAL5Z220C)
△ 103	1-696-848-12	CORD, POWER (AUS)	
△ 103	1-769-079-23	CORD, POWER (KR)	

<u>Ref. No.</u>	<u>Part No.</u>	<u>Description</u>	<u>Remark</u>
△ 103	1-769-744-52	CORD, POWER (AEP,UK,RU,SP)	
△ 103	1-783-531-12	CORD, POWER (US,CND)	
△ 103	1-827-226-11	CORD, POWER (E3,E51)	
108	9-885-059-33	WIRE (FLAT TYPE) (9 CORE)	
122	9-885-068-71	FILTER CLAMP (AEP,UK,RU,KR)	
△ 153	9-885-065-32	TRAVERSE MECH (1ADOMEZ0412)	
156	9-885-059-26	LOADER (KDA898ST), DVD	
△ F901	1-532-463-32	FUSE(TIME LUG),CYLINDRICAL (T1AL/250V) (EXCEPT US,CND)	
△ F901	1-532-503-32	FUSE,CYLINDRICAL (1.6A/250V) (US,CND)	
△ PT901	9-885-077-11	TRANSFORMER, POWER (US,CND)	
△ PT901	9-885-080-05	TRANSFORMER, POWER (SP,E3,E51)	
△ PT901	9-885-080-06	TRANSFORMER, POWER (AEP,UK,RU,AUS,KR)	

