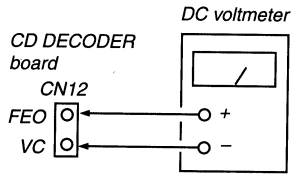


CD SECTION

Focus Bias Adjustment

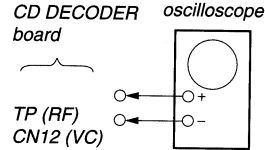


Procedure:

1. Connect DC voltmeter to test point CN12 (FEO), (VC) on CD DECODER board.
2. Turned Power switch on.
3. Put disc (YEDS-18) in and stop.
4. Adjust VR01 so that the DC voltmeter reading is 0 ± 20 mV.

Adjustment Location: CD DECODER board

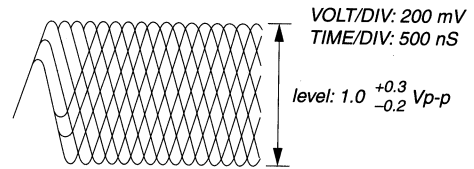
RF Level Check



Procedure :

1. Connect oscilloscope to test point TP (RF) on CD DECODER board.
2. Turned Power switch on.
3. Put disc (YEDS-18) in and playback.
4. Confirm that oscilloscope waveform is clear and check RF signal level is correct or not.

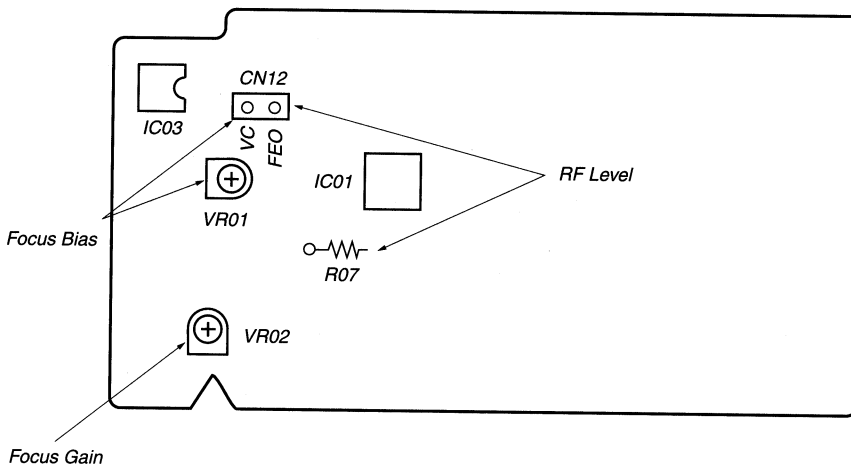
Note: Clear RF signal waveform means that the shape "ϕ" can be clearly distinguished at the center of the waveform.



Adjustment Location: CD DECODER board

Adjustment Location

[CD DECODER BOARD] — Component side —



Focus Gain Adjustment (VR02)

This gain has a margin, so even if it is slightly off. There is no problem.

Therefore, do not perform this adjustment.

Please note that it should be fixed to mechanical center position when you moved and do not know original position.