

SS-CCP500/CVP100

SERVICE MANUAL

Ver 1.1 2001.06



Photo : SS-CCP500

- SS-CCP500 is the speaker system in CMT-CP100/CP100K/CP500MD/CP500MDK.
- SS-CVP100 is the speaker system in CMT-VP100.

US Model
Canadian Model
AEP Model
UK Model
Australian Model
Chinese Model
SS-CCP500
E Model
SS-CCP500/CVP100

SPECIFICATIONS

Speaker system	Two-way, bass reflex system
Speaker units	12 cm dia., cone type woofer 2.5 cm dia., semi-dome-type tweeter
Rated impedance	6 ohms
Dimensions (w/h/d)	Approx. 150 × 252 × 255 mm
Mass	Approx. 2.6 kg net per speaker

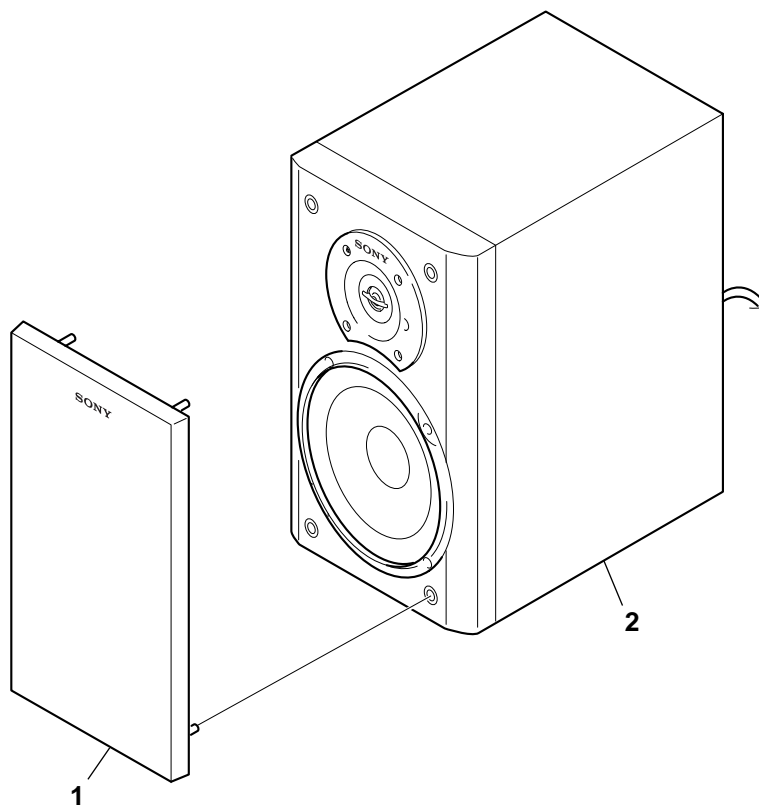
Design and specifications are subject to change without notice.

SPEAKER SYSTEM

EXPLODED VIEW AND PARTS LIST

NOTE:

- Items marked “*” are not stocked since they are seldom required for routine service. Some delay should be anticipated when ordering these items.
- The mechanical parts with no reference number in the exploded views are not supplied.



<u>Ref. No.</u>	<u>Part No.</u>	<u>Description</u>	<u>Remarks</u>
1	X-4953-471-1	NET ASSY, SPEAKER	
2	A-4412-854-A	BOX ASSY, SPEAKER (CCP500)	
2	A-4735-099-A	BOX ASSY, SPEAKER (CVP100)	

MEMO

