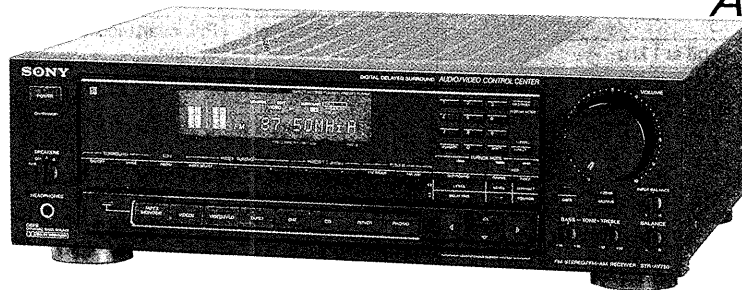


STR-AV720

SERVICE MANUAL

US Model
Canadian Model
Australian Model



SPECIFICATIONS

AUDIO POWER SPECIFICATIONS

POWER OUTPUT AND TOTAL HARMONIC DISTORTION

With 8-ohm load, both channels driven, from 20 – 20,000 Hz, rated 80 watts per channel minimum RMS power, with no more than 0.08% total harmonic distortion from 250 milliwatts to rated output.

Other Specifications

Amplifier section

Dynamic power output	8 ohms, at 1 kHz IHF	110 + 110 watts
	4 ohms, at 1 kHz IHF	140 + 140 watts
Harmonic distortion at rated output		Less than 0.08%
Intermodulation (IM) distortion at rated output		Less than 0.08%
Power output of surround amplifier (8 ohms, at 1 kHz)		20 watts (10 + 10 watts)
Frequency response	PHONO RIAA	equalization curve ± 0.5 dB
	CD, DAT, TAPE 1,2 VIDEO 1,2	10 Hz – 50 kHz $\pm 0_{-3}$ dB
Residual noise		Less than 80 μ V
Damping factor (8 ohms, at 1 kHz)		40
Input sensitivity/ impedance	PHONO MM	2,5 mV, 50 kilohms
	DAT, CD, VIDEO 1,2 TAPE 1,2	150 mV 50 kilohms

Amplifier section

S/N	PHONO MM	87 dB 79 dB* (A, 2.5mV)
	DAT, CD VIDEO 1,2 TAPE 1,2	105 dB 85 dB* (A, 150mV)
Output sensitivity/ impedance	DAT OUT TAPE OUT 1,2 VIDEO 1	150 mV 10 kilohms
	SPEAKERS	Accepts speakers of 8 – 16 ohms
	HEADPHONES	Accepts headphones of high and low impedance
TONE controls		BASS: ± 10 dB at 100 Hz TREBLE: ± 10 dB at 10 kHz
MUTING		- 20 dB
DBFB		+ 10 dB (70 Hz)

* '78IHF

Video section

Inputs	VIDEO 1,2: 1 Vp-p 75 ohms
Outputs	VIDEO 1, MONITOR: 1 Vp-p 75 ohms

— continued on next page —

FM STEREO/FM-AM RECEIVER
SONY[®]

FM tuner section

Frequency range	87.5 – 108.0 MHz	
Antenna terminals	300 ohms, balanced 75 ohms, unbalanced	
Sensitivity at 50 dB	18.3 dBf, 4.5 μ V (mono) 38.3 dBf, 45 μ V (stereo)	
Usable sensitivity	11.2 dBf, 2 μ V (IHF)	
S/N	Mono	80 dB
	Stereo	74 dB
Harmonic distortion at 1 kHz	Mono	0.3 %
	Stereo	0.5 %
IM distortion	Mono	0.3 %
	Stereo	0.5
Separation	45 dB at 1 kHz	
Frequency response	30 Hz – 15 kHz ± 0.2 dB	
Selectivity	60 dB at 400 kHz	
Capture ratio	1.2 dB	
AM suppression ratio	54 dB	
Image response ratio	70 dB	
IF response ratio	70 dB	
Spurious response ratio	80 dB	
RF intermodulation at 800 kHz	60 dB	
Auto tuning threshold	Low	30 dBf
	High	50 dBf

AM tuner section

Frequency range	USA and Canadian model: 530 – 1710 kHz (with 10 kHz interval) 531 – 1710 kHz (with 9 kHz interval) Australian model: 531 – 1710 kHz
Antenna	Loop antenna
Usable sensitivity	50 dB/m (at 1,000 kHz or 999 kHz)
S/N	54 dB (at 50 mV/m)
Harmonic distortion	0.5% (50 mV/m, 400 Hz)
Selectivity	35 dB (9 kHz), 40 dB (10 kHz)
Auto tuning threshold	55 dB/m

General

System	Tuner section	PLL quartz-locked digital synthesizer system
	Preamplifier section	Low-noise NF type equalizer
	Power amplifier section	Quasi-complimentary SEPP
Power requirements	USA and Canadian models: 120 V AC, 60 Hz Australian model: 240 V AC, 50/60 Hz	
Power consumption	USA model: 190 watts Canadian model: 360 VA Australian model: 200 watts	
AC outlets (USA and Canadian models only)	Two switched, total 100 watts	
Dimensions	430 x 135 x 350 mm (17 x 53/8 x 14 1/8 inches)	
Weight	USA and Canadian model: 9.5 kg (21 lb) Australian model: 9.8 kg (21 lb 10 oz)	

Supplied accessories

- FM ribbon antenna (1)
- AM loop antenna (1)
- Remote commander (1) RM-S103
- Sony Batteries SUM-3(NS) (2)

Design and specifications subject to change without notice.

SAFETY CHECK-OUT

After correcting the original service problem, perform the following safety check before releasing the set to the customer:

Check the antenna terminals, metal trim, “metallized” knobs, screws, and all other exposed metal parts for AC leakage. Check leakage as described below.

LEAKAGE TEST

The AC leakage from any exposed metal part to earth ground and from all exposed metal parts to any exposed metal part having a return to chassis, must not exceed 0.5 mA (500 microampers). Leakage current can be measured by any one of three methods.

1. A commercial leakage tester, such as the Simpson 229 or RCA WT-540A. Follow the manufacturers' instructions to use these instruments.
2. A battery-operated AC milliammeter. The Data Precision 245 digital multimeter is suitable for this job.

3. Measuring the voltage drop across a resistor by means of a VOM or battery-operated AC voltmeter. The “limit” indication is 0.75 V, so analog meters must have an accurate low-voltage scale. The Simpson 250 and Sanwa SH-63Trd are examples of a passive VOM that is suitable. Nearly all battery operated digital multimeters that have a 2 V AC range are suitable. (See Fig. A)

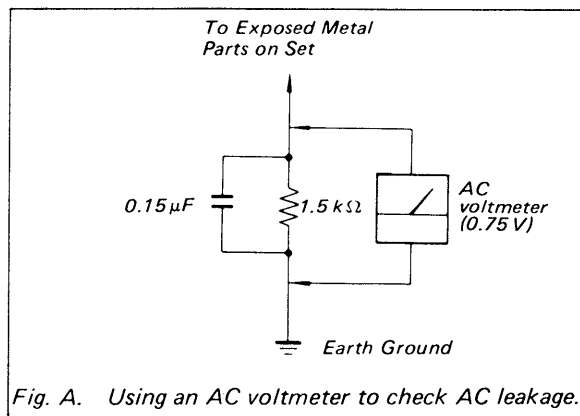


Fig. A. Using an AC voltmeter to check AC leakage.

SAFETY-RELATED COMPONENT WARNING!!

COMPONENTS IDENTIFIED BY MARK Δ OR DOTTED LINE WITH MARK Δ ON THE SCHEMATIC DIAGRAMS AND IN THE PARTS LIST ARE CRITICAL TO SAFE OPERATION. REPLACE THESE COMPONENTS WITH SONY PARTS WHOSE PART NUMBERS APPEAR AS SHOWN IN THIS MANUAL OR IN SUPPLEMENTS PUBLISHED BY SONY.

TABLE OF CONTENTS

<u>Section</u>	<u>Title</u>	<u>Page</u>	<u>Section</u>	<u>Title</u>	<u>Page</u>
1. GENERAL			3-5.	Schematic Diagram —MAIN Section—	17
1-1.	Connections	3	3-6.	Schematic Diagram —TUNER Section—	22
1-2.	Parts Identification	4	3-7.	Printed Wiring Board —TUNER Section—	25
2. ELECTRICAL ADJUSTMENTS		6	3-8.	Schematic Diagram —DISPLAY Section—	27
3. DIAGRAMS			3-9.	Printed Wiring Board —DISPLAY Section—	29
3-1.	Circuit Boards Location	8	4. EXPLODED VIEWS		
3-2.	Block Diagram	9	4-1.	Front Panel Section	32
3-3.	Semiconductor Lead Layouts	12	4-2.	Chassis Section	33
3-4.	Printed Wiring Boards —MAIN Section—	13	5. ELECTRICAL PARTS LIST		34

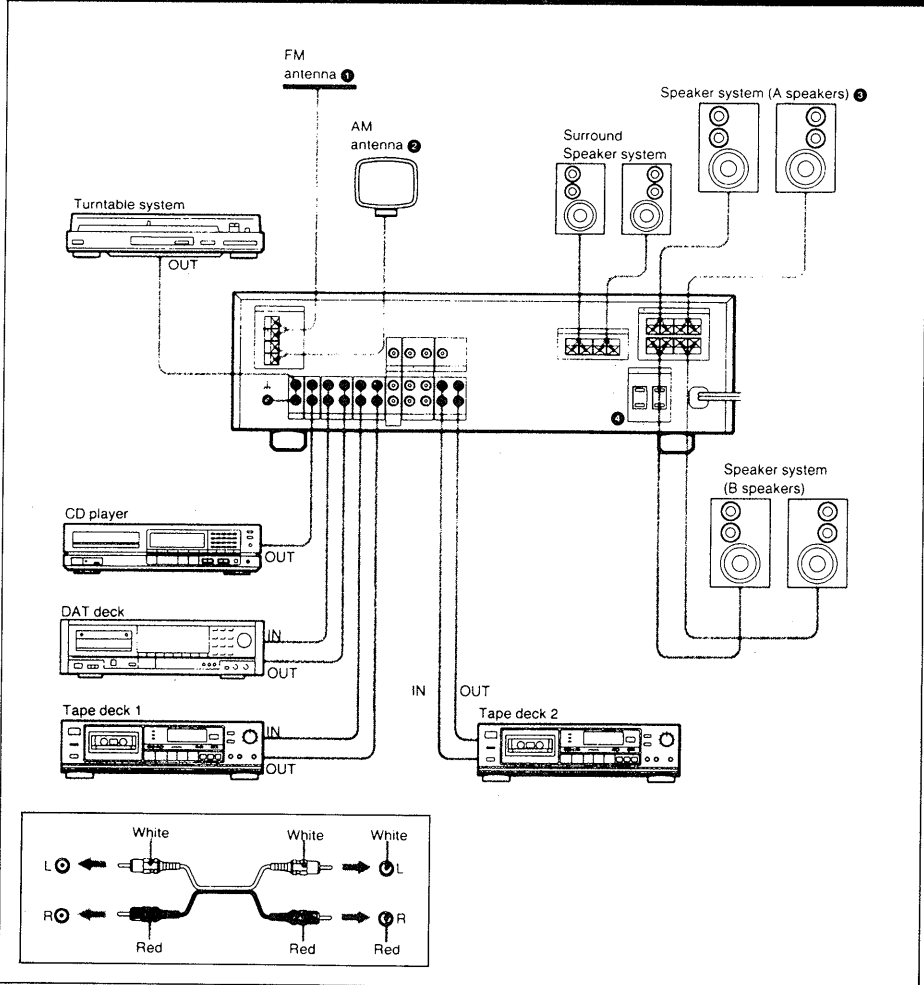
SECTION 1
GENERAL

1-1. CONNECTIONS

Notes on Connections

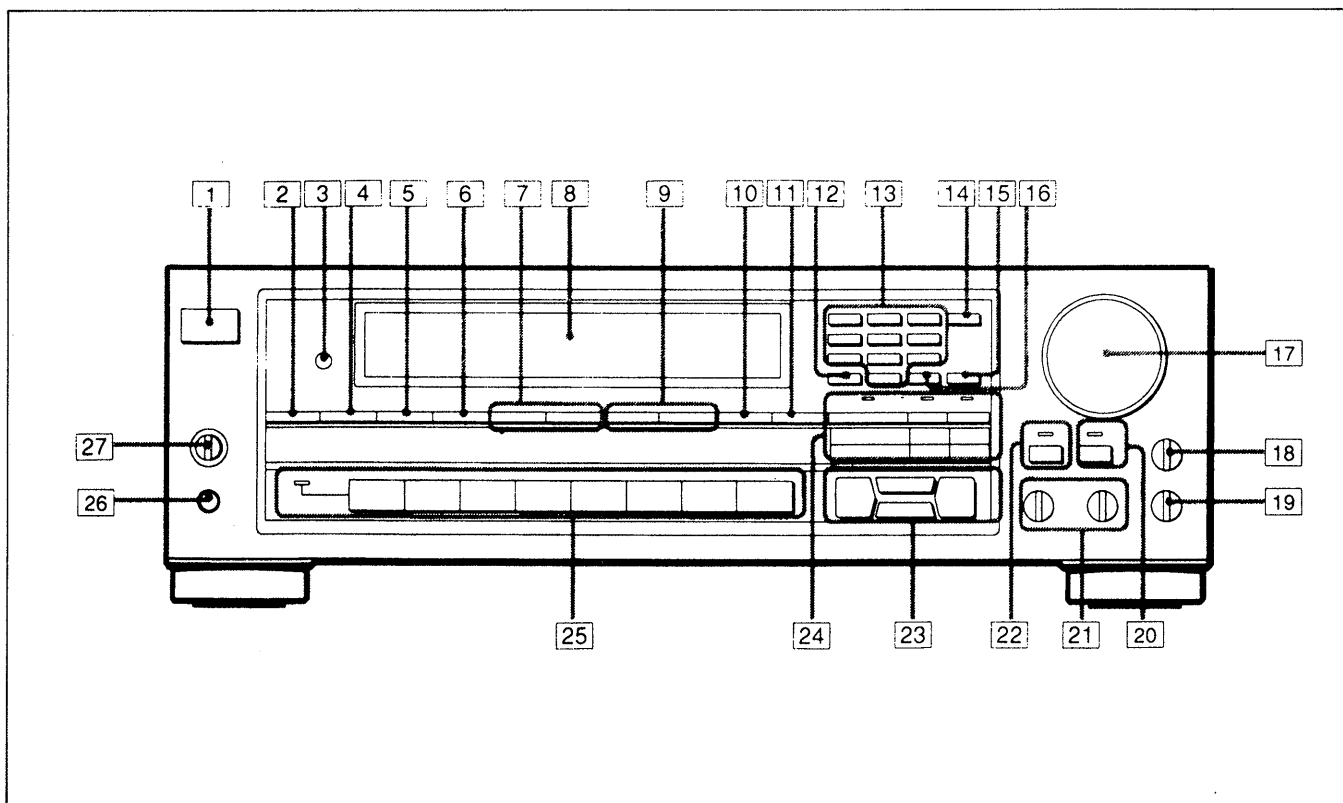
- Do not connect the power cord to an AC outlet nor press the POWER switch before accomplishing all other connections.
- The cable connectors should be fully inserted into the jacks. Loose connection may cause hum and noise.
- Jacks and plugs of the connecting cord are color-coded as follows:
 Red jacks and plugs: for the right channel of audio signals
 White jacks and plugs: for the left channel of audio signals
 Yellow jacks and plugs: for video signals

Connecting Audio Equipment



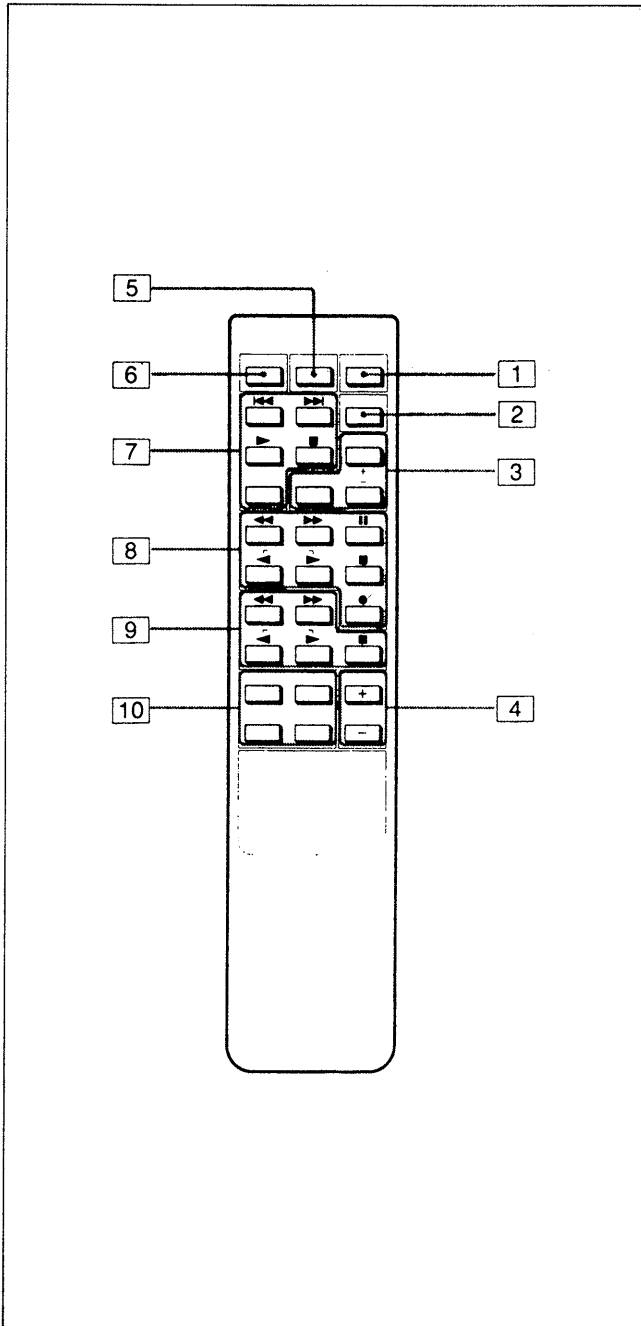
1-2. PARTS IDENTIFICATION

Front Panel



- | | |
|-------------------------------------|---|
| 1 POWER switch | 15 TUNING DIRECT button |
| 2 SURROUND ON/OFF button | 16 SHIFT button |
| 3 Remote control sensor | 17 VOLUME control |
| 4 SURROUND MODE selector | 18 INPUT BALANCE control |
| 5 EDIT AUDIO button | 19 BALANCE control |
| 6 INDEX SELECT button | 20 MUTING switch and indicator |
| 7 INDEX TUNING +/- buttons | 21 BASS/TREBLE TONE controls |
| 8 Display window | 22 DBFB (Dynamic Bass Feed Back) button and indicator |
| 9 PRESET TUNING +/- buttons | 23 CURSOR MODE operation buttons |
| 10 FM MODE button | 24 CURSOR MODE selectors and indicators |
| 11 FM/AM button | 25 Function selectors and TAPE 2 MONITOR indicator |
| 12 MEMORY button | 26 HEADPHONES jack |
| 13 Numeric buttons | 27 SPEAKERS selector |
| 14 DISPLAY MODE button (FREQ/INDEX) | |

Remote Commander RM-S103



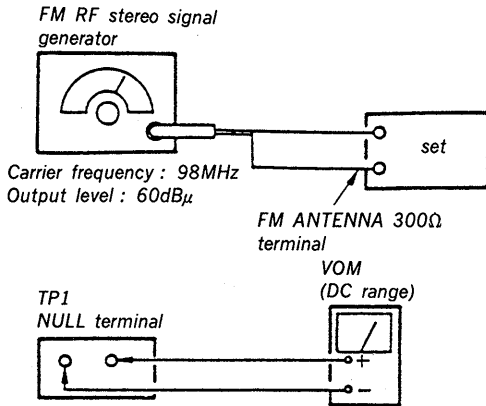
- 1 **POWER** switch
- 2 **DBFB** button (page 12)
- 3 **TUNER PRESET +/- and SHIFT** buttons
(pages 16 and 17)
- 4 **VOLUME +/-** buttons
- 5 **SURROUND** button (page 22)
- 6 **MUTING** button (page 12)
- 7 **CD player operation buttons***
D (disc) SKIP: When your CD player is equipped with a multi-disc changer, use this button to select loaded disc.
CD ►: Selects the CD function and starts CD playback.
- 8 **DECK B operation buttons***
DECK B ◀/▶: Select tape function and start tape playback on deck B.
- 9 **DECK A operation buttons***
DECK A ◀/▶: Select tape function and start tape playback on deck A.
- 10 **Function selectors**

SECTION 2 ELECTRICAL ADJUSTMENTS

FM SECTION

• FM Discriminator (NULL) Adjustment

Setting :



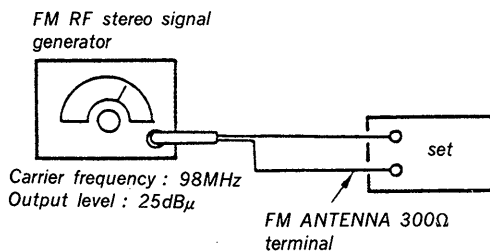
Procedure :

1. Tune the set to 98MHz.
2. Adjust T21 for 0V reading on the VOM.

Note : FM Tuning Level adjustment should be made after FM discriminator adjustment.

• FM Tuning Level Adjustment

Setting :

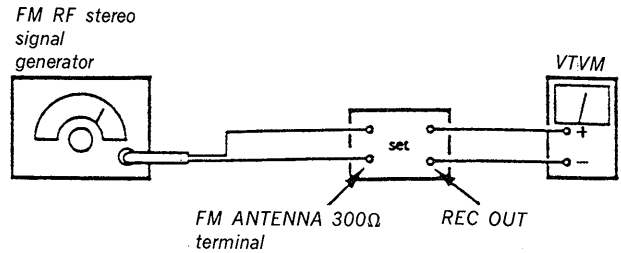


Procedure :

1. Tune the set to 98MHz.
2. Adjust RV24 so that the TUNED LED goes on.

• FM Stereo Separation Adjustment

Setting :



Procedure :

Tune the set to 98MHz.

FM stereo signal generator output channel	VTVM connection	VTVM reading (dB)
L-CH	L-CH	Ⓐ
R-CH	L-CH	Ⓑ Adjust RV21 for minimum reading.
R-CH	R-CH	Ⓒ
L-CH	R-CH	Ⓓ Adjust RV21 for minimum reading.

L-CH Stereo separation : Ⓐ-Ⓑ

R-CH Stereo separation : Ⓒ-Ⓓ

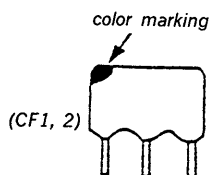
The separations of both channels should be equal.

Note on Ceramic Filter (CF1, 2) Replacement.

This set employs two ceramic filters (CF1, 2) which should have the same color marking to identify their center frequency. Therefore FM IF offset adjustment by D216, D217 mounted is necessary to match the center frequency of the ceramic filters used with FM intermediate frequency.

○ : connect

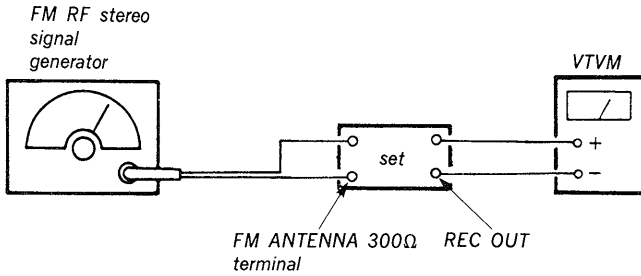
× : not connect



Ceramic filter		Connection		FM intermediate frequency (MHz)
Color mark	Center frequency (MHz)	D216	D217	
White	10.750	×	○	10.750
Red	10.700	○	○	10.700
Black	10.650	○	×	10.650

• Auto Stop Level Adjustment

Setting :



Carrier frequency : 98MHz
Output level : 40dB μ or 45dB μ

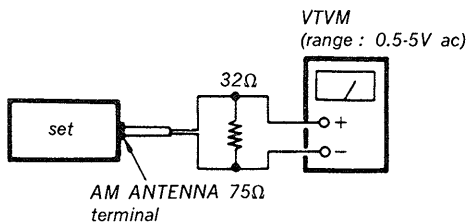
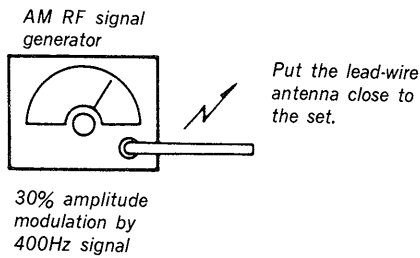
Procedure :

1. Turn the High/Low select switch to High.
2. Adjust RV25 so that the TUNED LED goes on.

AM SECTION

• AM Tuning Level Adjustment

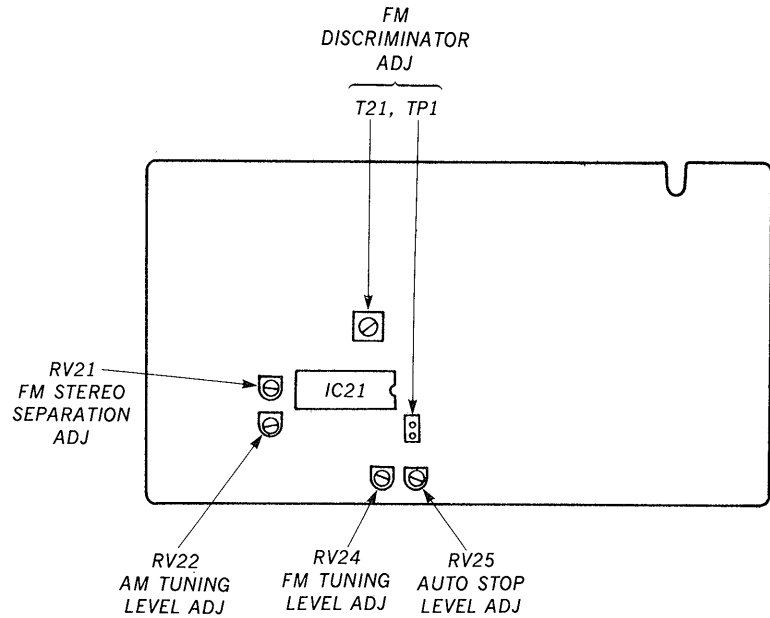
Setting :



Procedure :

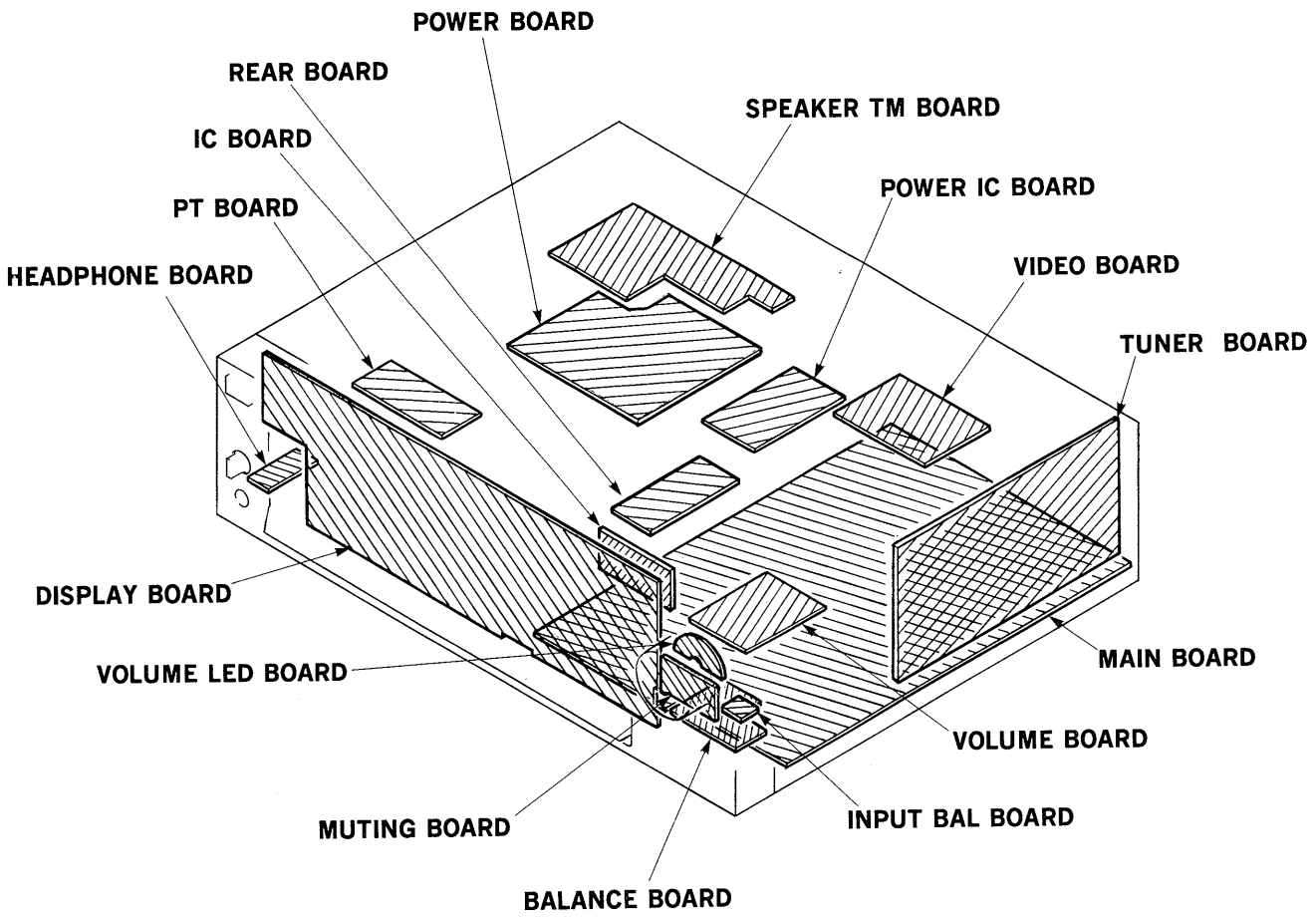
1. Tune the set to 1,050kHz.
2. Adjust the RV22 so that the TUNED LED goes on.

Adjustment Location : tuner board

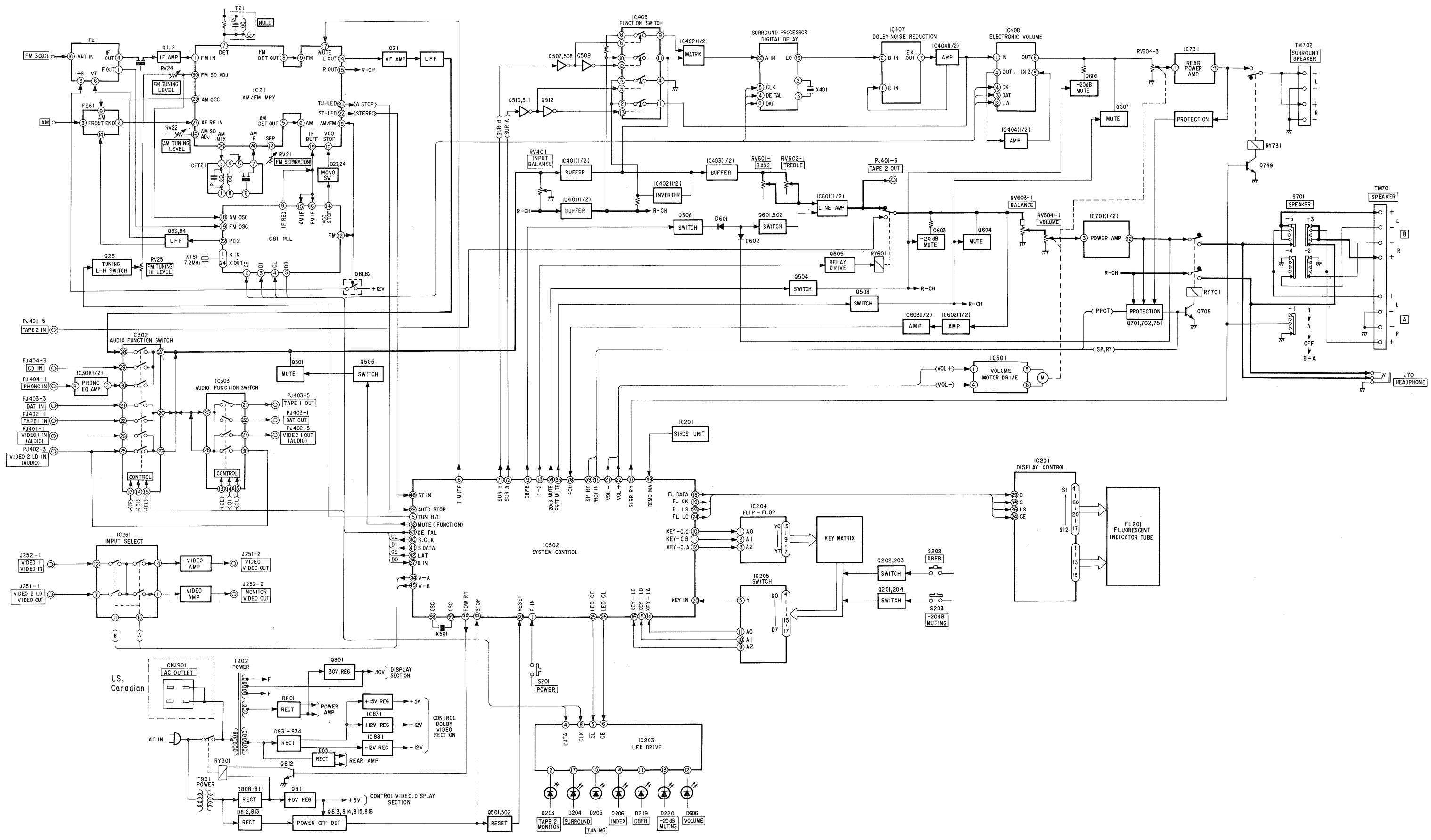


SECTION 3 DIAGRAMS

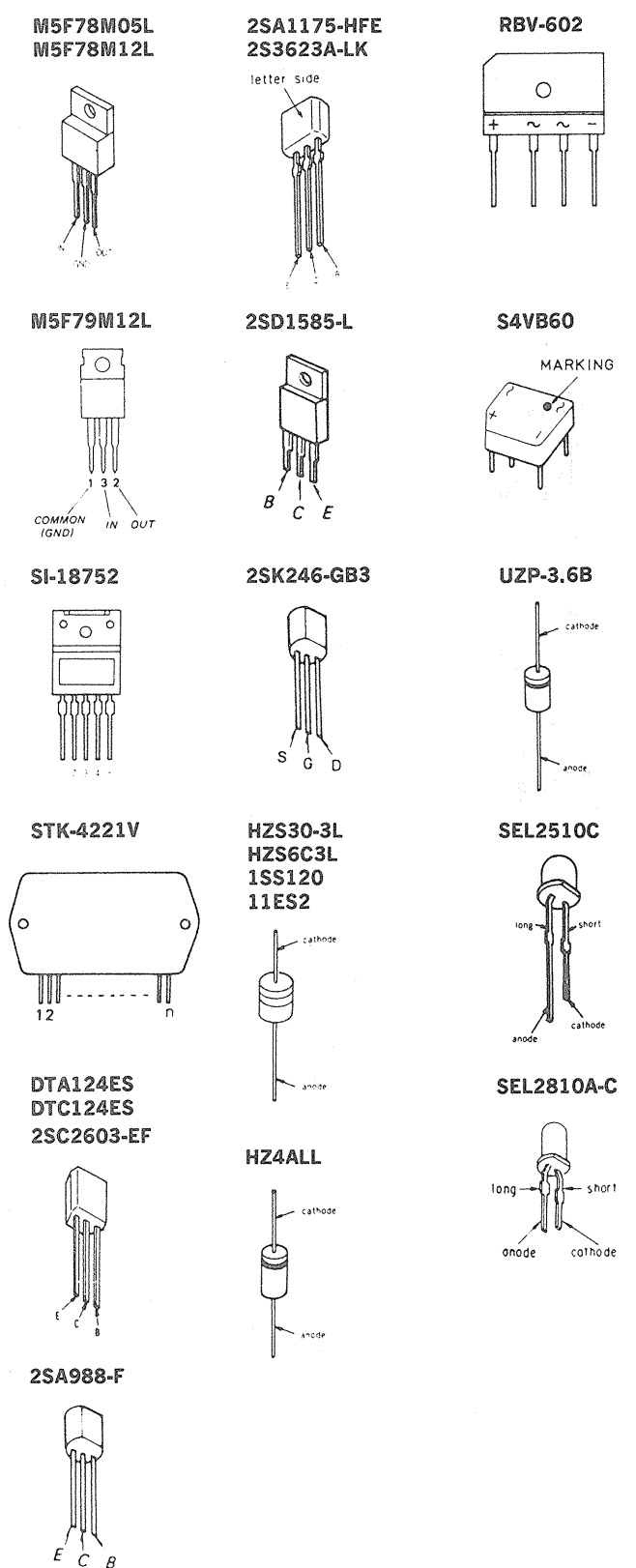
3-1. CIRCUIT BOARDS LOCATION



3-2. BLOCK DIAGRAM



3-3. SEMICONDUCTOR LEAD LAYOUTS

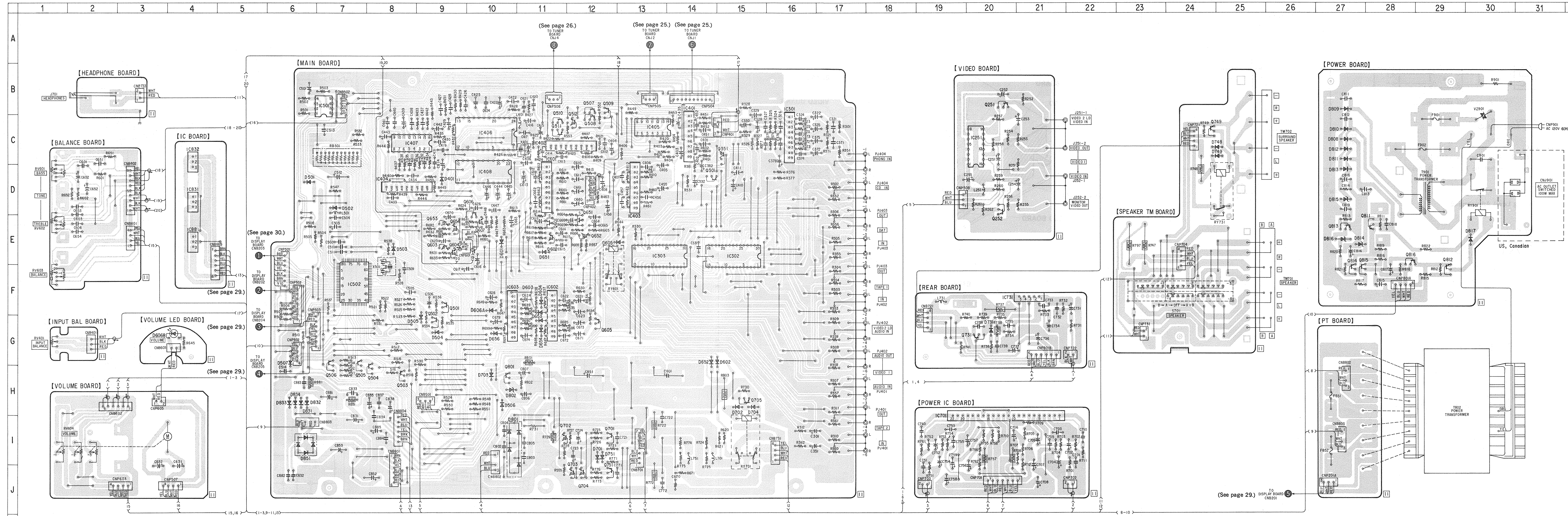


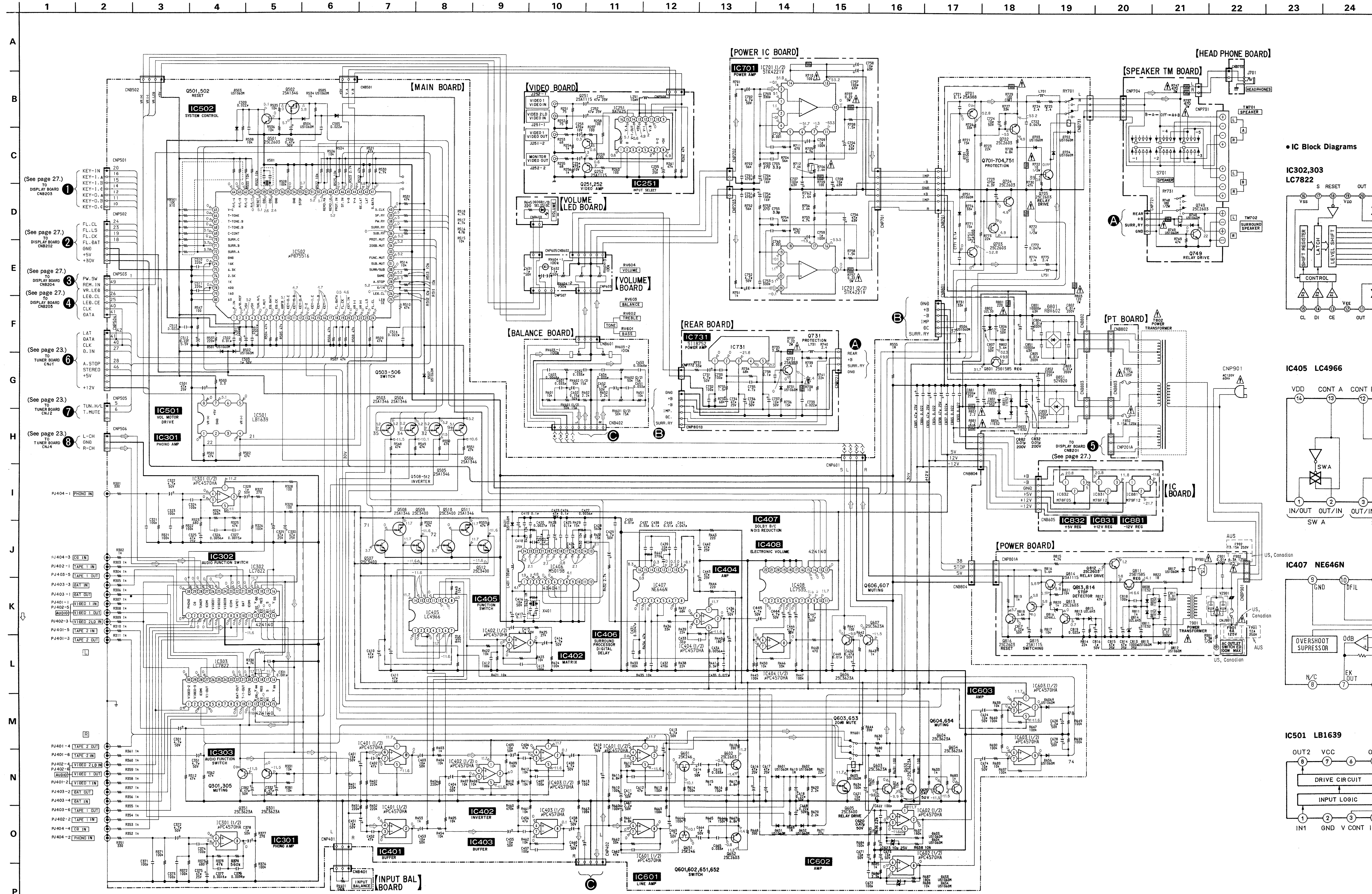
3-4. PRINTED WIRING BOARDS — MAIN SECTION—

Semiconductor Location			
Ref. No.	Location	Ref. No.	Location
D401	D-9	IC603	F-10
D501	D-6	IC701	I-20
D502	D-7	IC731	F-21
D503	E-8	IC831	D-4
D504	G-9	IC832	C-4
D505	G-9	IC881	E-4
D506	H-10		
D507	G-4	Q251	B-20
D601	E-10	Q252	D-20
D602	G-14	Q301	D-14
D603	F-11	Q351	C-15
D604	F-11	Q501	F-9
D605	E-12	Q502	G-9
D606A	F-10	Q503	H-8
D606B	G-4	Q504	H-8
D651	E-11	Q505	H-7
D652	G-14	Q506	H-7
D653	G-11	Q507	B-12
D654	G-11	Q508	C-12
D656	G-10	Q509	B-12
D701	I-12	Q510	C-11
D702	H-15	Q511	C-11
D703	H-10	Q512	C-12
D704	H-15	Q601	E-11
D731	G-20	Q602	E-9
D748	C-20	Q603	E-9
D749	C-20	Q604	E-9
D751	I-12	Q605	G-12
D801	I-10	Q606	D-10
D802	H-10	Q607	E-10
D808	C-27	Q651	E-12
D809	B-27	Q652	E-12
D810	C-27	Q653	E-9
D811	C-27	Q654	E-9
D812	C-27	Q701	I-12
D813	C-27	Q702	I-11
D814	E-27	Q703	J-12
D815	C-27	Q704	I-12
D816	E-27	Q705	H-15
D817	E-30	Q731	G-20
D831	H-6	Q749	C-24
D832	H-6	Q751	J-12
D833	H-6	Q801	H-10
D834	H-6	Q811	E-28
D851	I-6	Q812	F-29
		Q813	E-27
		Q814	F-27
		Q815	F-27
		Q816	E-28
IC251	C-20		
IC301	C-16		
IC302	E-15		
IC303	E-13		
IC401	C-14		
IC402	C-11		
IC403	D-13		
IC404	D-8		
IC405	C-13		
IC406	C-10		
IC407	C-8		
IC408	D-10		
IC501	B-7		
IC502	F-7		
IC601	D-11		
IC602	F-11		

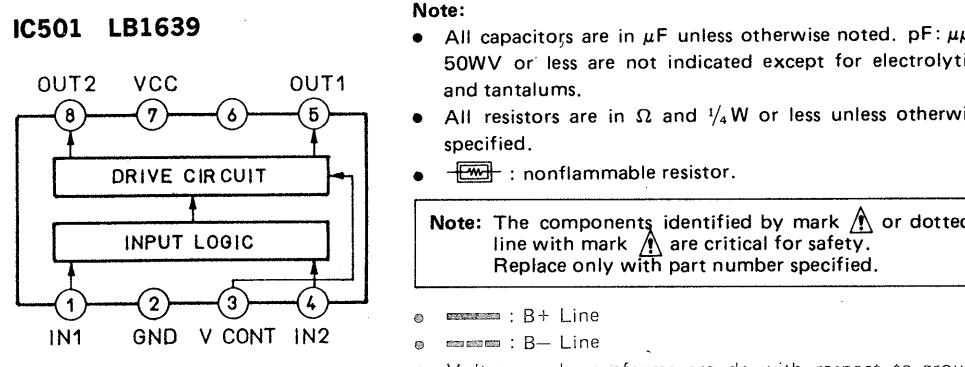
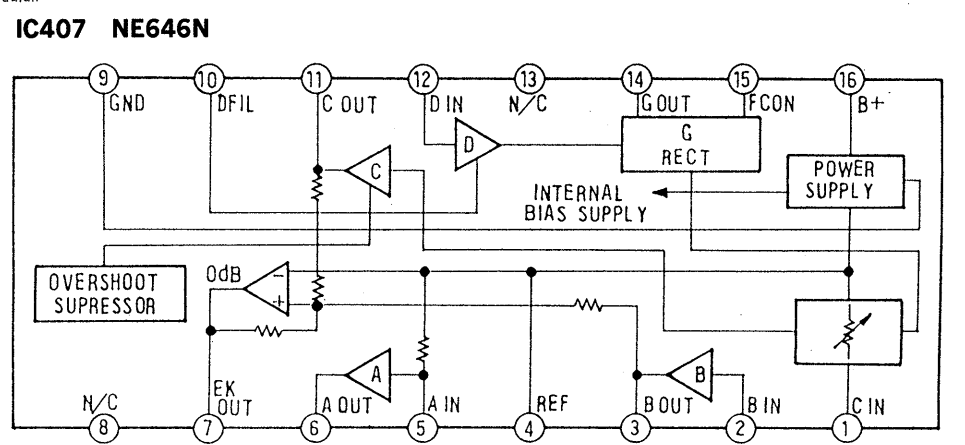
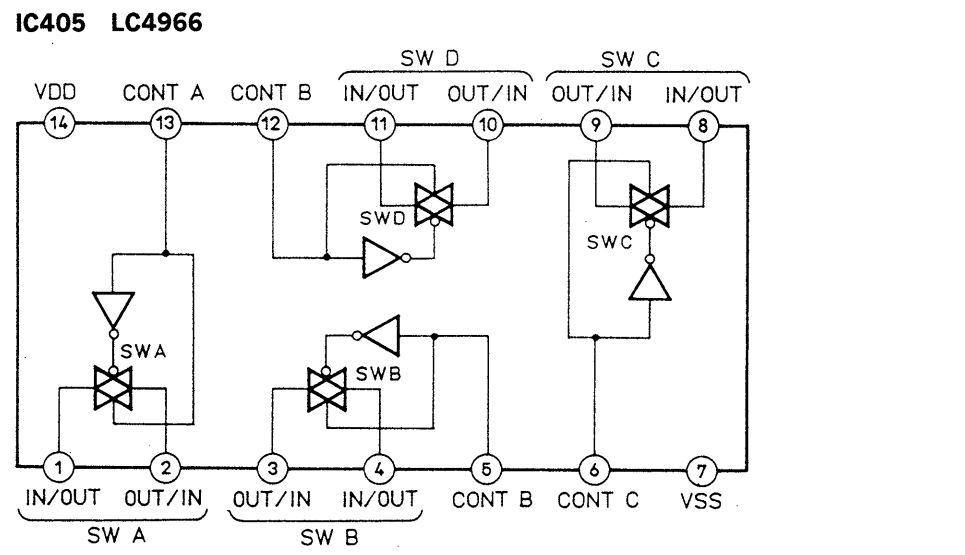
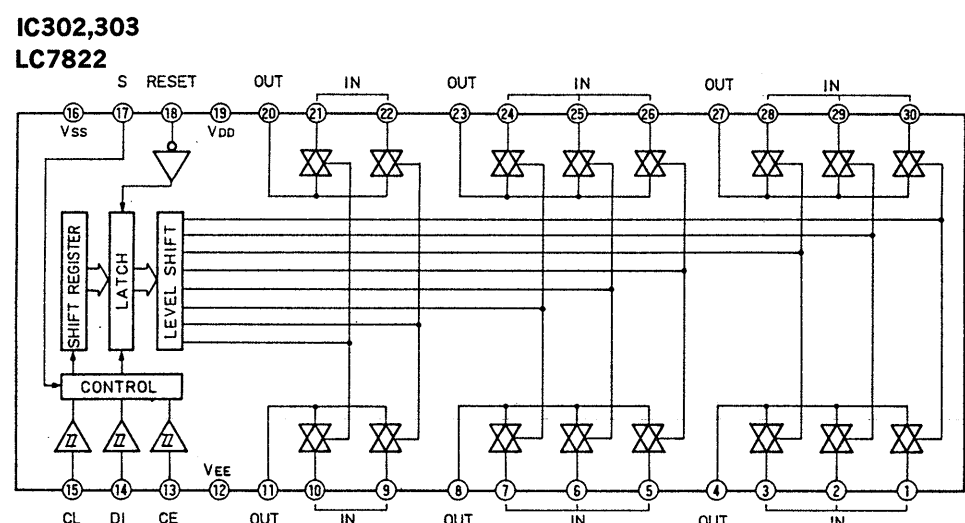
Note: ○ : parts extracted from the component side.

3-4. PRINTED WIRING BOARDS — MAIN SECTION—





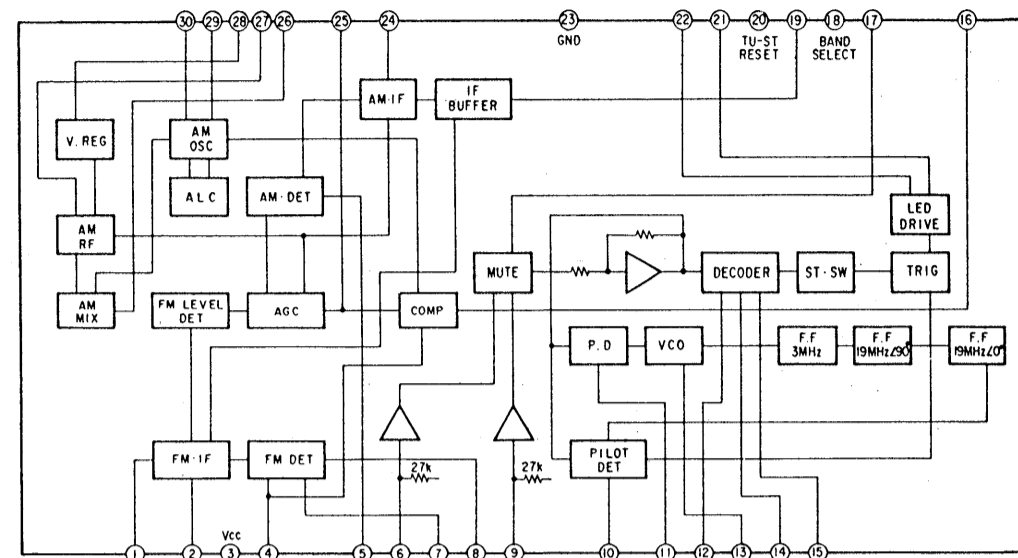
• IC Block Diagrams



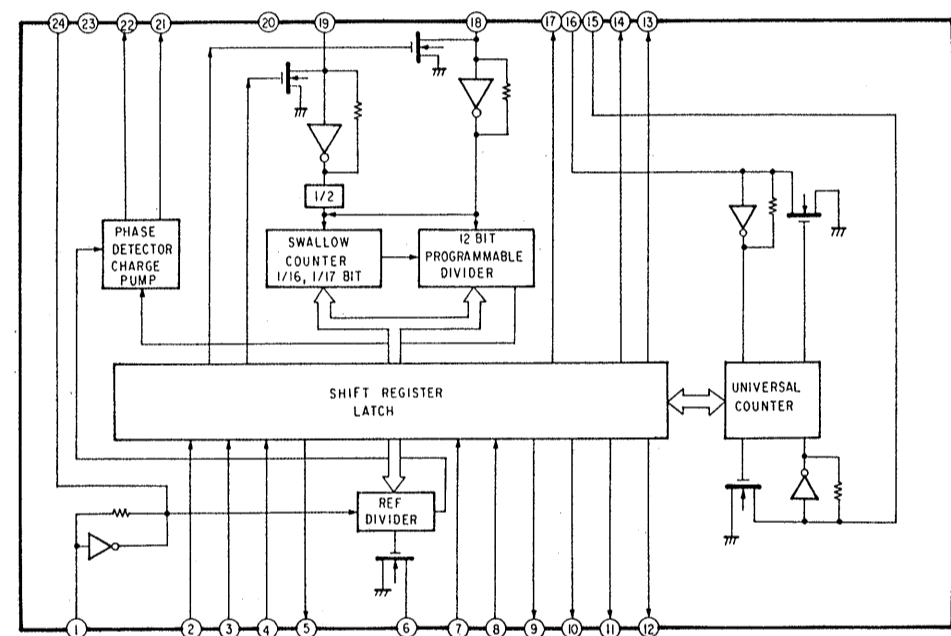
- Note:
- All capacitors are in μF unless otherwise noted. $\text{pF} = \mu\text{F} / 100$.
 - All resistors are in Ω and $\frac{1}{2}\text{W}$ or less unless otherwise specified.
 - \square : nonflammable resistor.
- Note: The components identified by mark Δ or dotted line with mark Δ are critical for safety. Replace only with part number specified.
- --- : B+ Line
 - --- : B- Line
 - Voltage and waveforms are dc with respect to ground under no-signal (detuned) conditions.
 - no mark: PHONO
 - Signal path.
 - --- : FM
 - AUS: Australian model.

• IC Block Diagrams

IC21 LA1858N

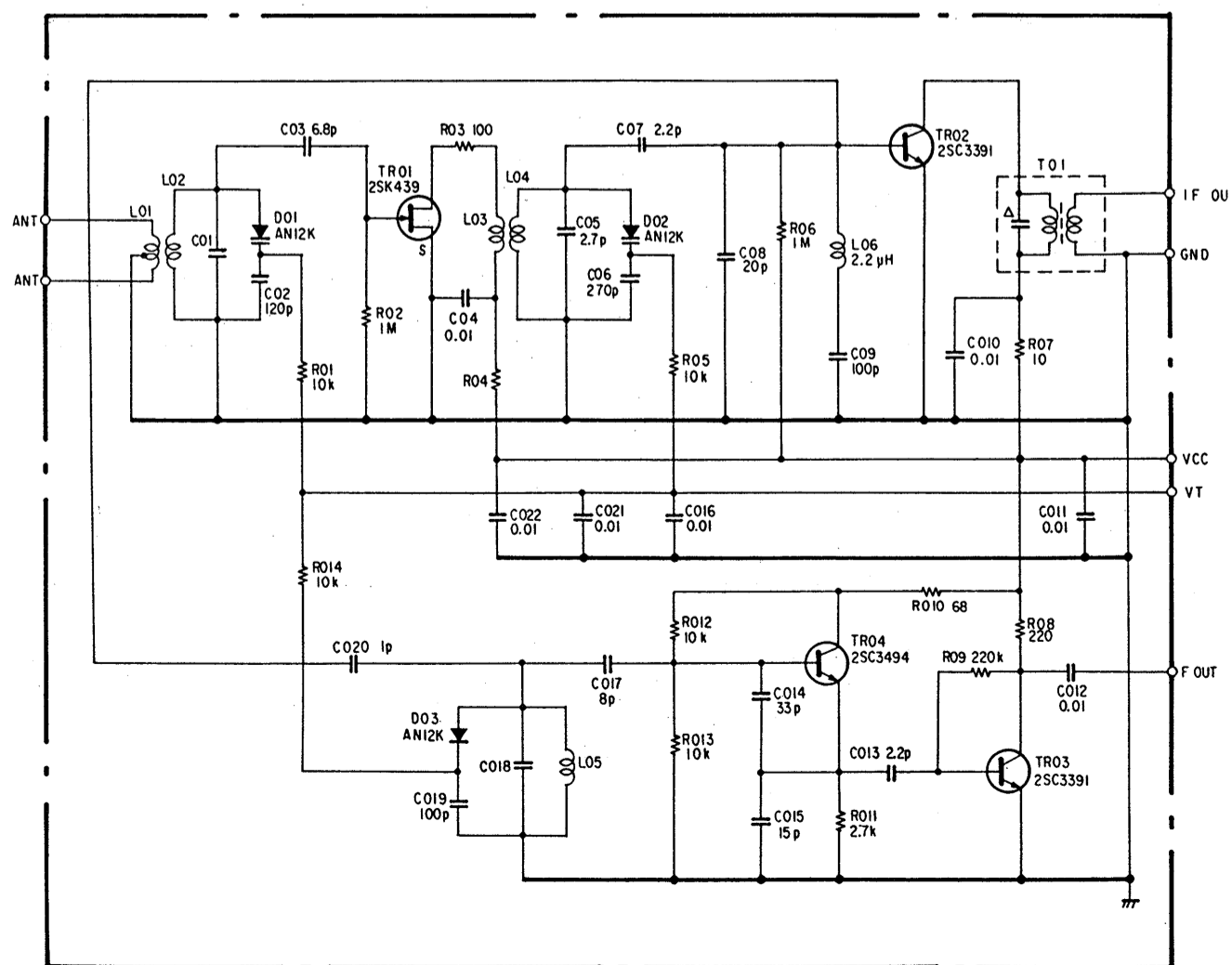


IC81 LC7218



• FM FRONT-END Schematic Diagram

FE1

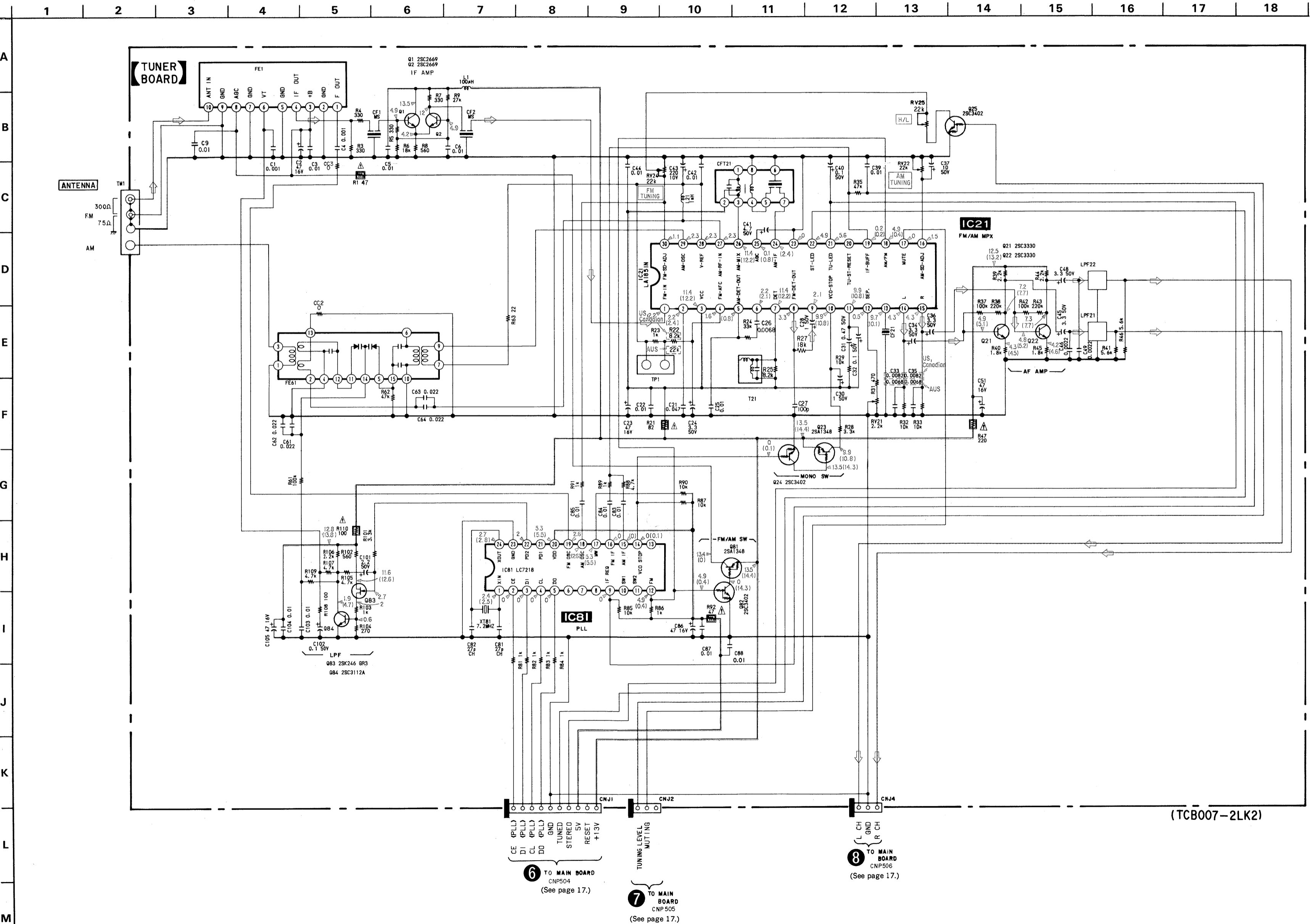


Note:

- All capacitors are in μF unless otherwise noted. pF : μF 50WV or less are not indicated except for electrolytics and tantalums.
 - All resistors are in Ω and $\frac{1}{4}\text{W}$ or less unless otherwise specified.
 - Δ : internal component.
 - \square : nonflammable resistor.
- Note: The components identified by mark Δ or dotted line with mark Δ are critical for safety. Replace only with part number specified.

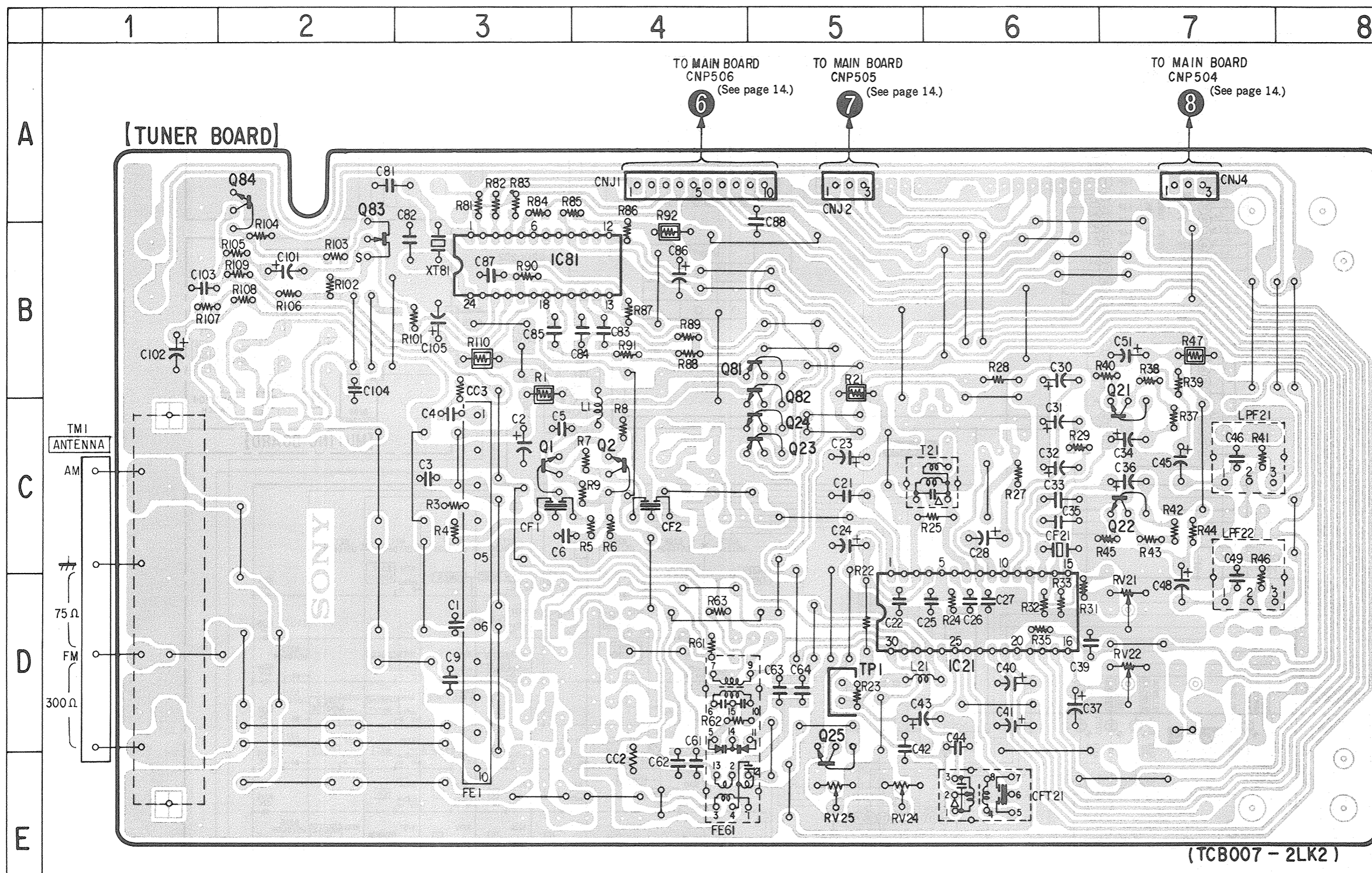
- \square : B+ Line
- \square : adjustment for repair.
- Voltage and waveforms are dc with respect to ground under no-signal (detuned) conditions.
- no mark: FM
- (): AM
- Voltages are taken with a VOM (Input Impedance $10\text{M}\Omega$). Voltage variations may be noted due to normal production tolerances.
- Waveforms are taken with an oscilloscope. Voltage variations may be noted due to normal production tolerances.
- Signal path.
- \Rightarrow : FM
- AUS: Australian model.

3-6. SCHEMATIC DIAGRAM —TUNER SECTION—



(TCB007-2LK2)

3-7. PRINTED WIRING BOARD —TUNER SECTION— • Refer to page 12 for Semiconductor Lead Layouts.



• Semiconductor Location

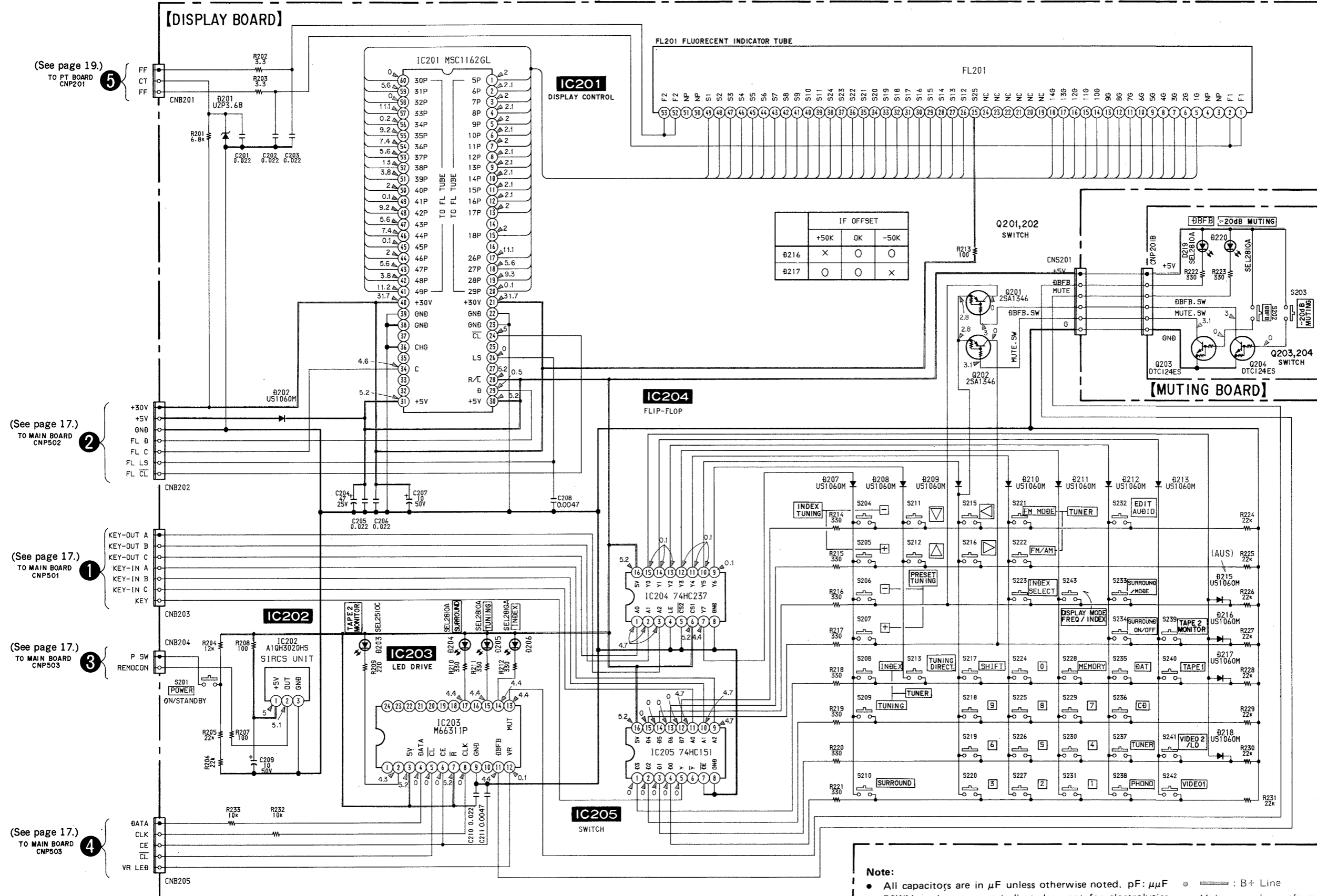
Ref. No.	Location
IC21	D-6
IC81	B-3
Q1	C-3
Q2	C-4
Q21	C-7
Q22	D-7
Q23	C-5
Q24	C-5
Q25	D-5
Q81	B-5
Q82	C-5
Q83	B-2
Q84	A-2

Note:
 ● ○ : parts extracted from the component side.

3-8. SCHEMATIC DIAGRAM — DISPLAY SECTION—

1 2 3 4 5 6 7 8 9 10 11 12 13 14 15

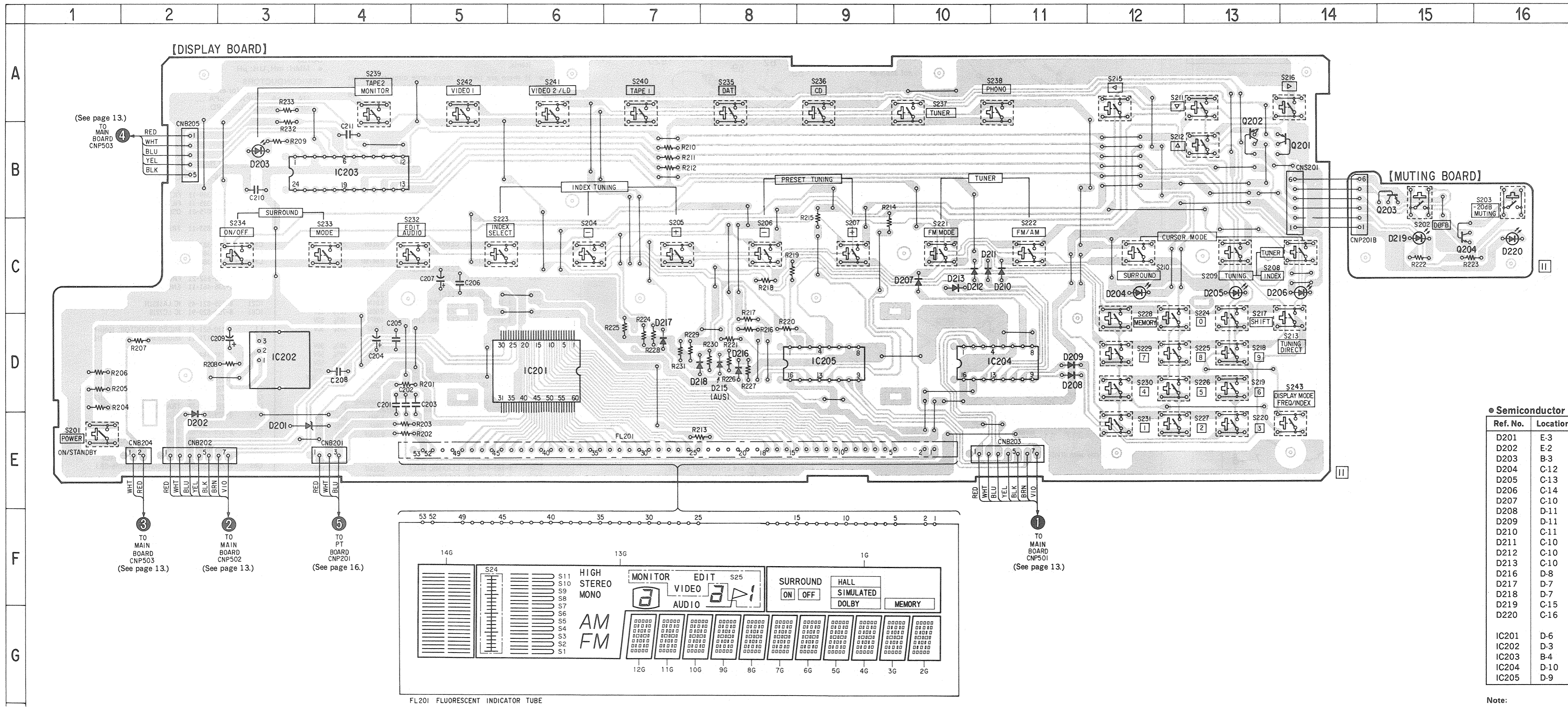
A
B
C
D
E
F
G
H
I
J



IF OFFSET			
	+50K	OK	-50K
B216	X	○	○
B217	○	○	X

- Note:**
- All capacitors are in μF unless otherwise noted. pF : μF
 - All resistors are in Ω and $1/4\text{W}$ or less unless otherwise specified.
 - Voltage and waveforms are dc with respect to ground under no-signal (detuned) conditions. no mark: PHONO
 - Voltages are taken with a VOM (Input Impedance $10\text{M}\Omega$). Voltage variations may be noted due to normal production tolerances.
 - AUS: Australian model.

3-9. PRINTED WIRING BOARD —DISPLAY SECTION— • Refer to page 12 for Semiconductor Lead Layouts.



• Semiconductor Location

Ref. No.	Location	Ref. No.	Location
D201	E-3	Q201	B-14
D202	E-2	Q202	B-13
D203	B-3	Q203	B-15
D204	C-12	Q204	C-15
D205	C-13		
D206	C-14		
D207	C-10		
D208	D-11		
D209	D-11		
D210	C-11		
D211	C-10		
D212	C-10		
D213	C-10		
D216	D-8		
D217	D-7		
D218	D-7		
D219	C-15		
D220	C-16		
IC201	D-6		
IC202	D-3		
IC203	B-4		
IC204	D-10		
IC205	D-9		

Note:
 • ○ : parts extracted from the component side.
 • AUS : Australian model.

SECTION 4 EXPLODED VIEWS

NOTE:

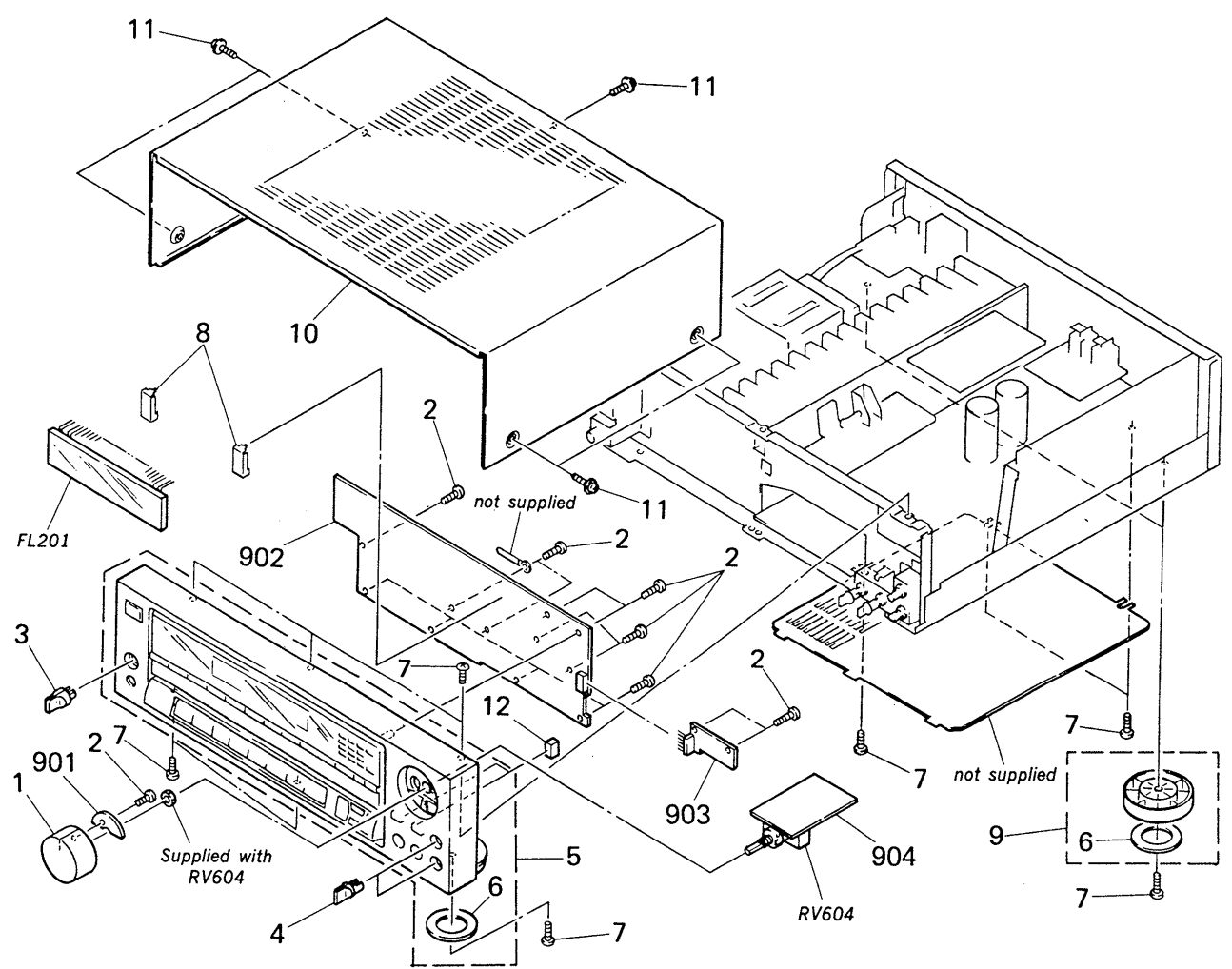
- The mechanical parts with no reference number in the exploded views are not supplied.
- The construction parts of an assembled part are indicated with a collation number in the remark column.
- Items marked "★" are not stocked since they are seldom required for routine service. Some delay should be anticipated when ordering these items.

- Due to standardization, parts with part number suffix -XX and -X may be different from the parts specified in the components used on the set.
- Color Indication of Appearance Parts Example:
(RED) ... KNOB, BALANCE (WHITE)
↑ Cabinet's Color ↑ Parts Color

The components identified by mark or dotted line with mark are critical for safety. Replace only with part number specified.

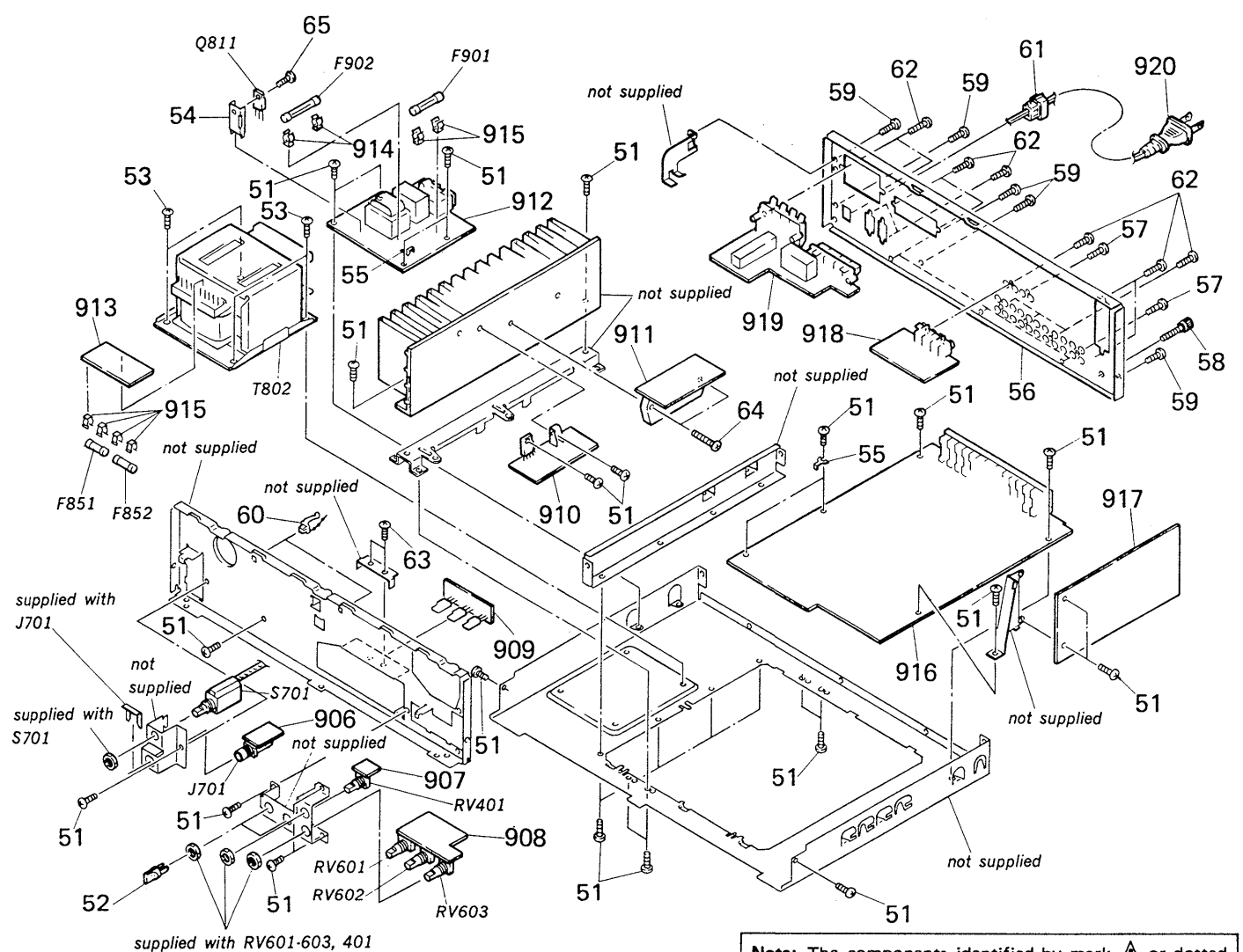
- AUS: Australian model.

4-1. FRONT PANEL SECTION



Ref.No	Part No.	Description	Remarks	Ref.No	Part No.	Description	Remarks
1	4-929-288-01	KNOB (VOL 47)		10	*4-924-920-71	CASE	
2	4-928-635-01	SCREW, +BV (2.6X8) TAPPING		11	3-704-366-01	SCREW (CASE) (M3X8)	
3	4-908-097-21	KNOB		12	9-911-841-XX	CUSHION	
4	4-925-014-01	KNOB (DIA.10)		901	*1-634-875-11	PC BOARD, VOLUME LED	
5	X-4906-835-1	PANEL ASSY, FRONT	6	902	*A-4334-788-A	(US, Canadian)...MOUNTED PCB, DISPLAY	
6	4-923-836-11	CUSHION		902	*A-4341-345-A	(AUS)...MOUNTED PCB, DISPLAY	
7	7-682-548-04	SCREW +BVTT 3X8 (S)		903	*1-634-876-11	PC BOARD, MUTING	
8	*4-924-989-11	HOLDER (FL TUBE)		904	*1-634-878-11	PC BOARD, VOLUME	
9	X-4885-950-1	FOOT ASSY	6	FL201	1-519-603-11	INDICATOR TUBE, FLUORESCENT	
				RV604	1-241-027-11	RES. VAR. CARBON 100K/100K/100K (VOLUME)	

4-2. CHASSIS SECTION



Note: The components identified by mark or dotted line with mark are critical for safety. Replace only with part number specified.

Ref.No	Part No.	Description	Remarks	Ref.No	Part No.	Description	Remarks
51	7-682-548-04	SCREW +BVTT 3X8 (S)		912	*1-634-877-11	PC BOARD, POWER	
52	4-925-014-01	KNOB (DIA.10)		913	*1-636-122-11	PC BOARD, PT	
53	7-682-561-04	SCREW +BVTT 4X8 (S)		914	*1-533-183-11	(AUS)...HOLDER, FUSE	
54	*3-309-144-21	HEAT SINK		914	*1-533-185-11	(US, Canadian)...HOLDER, FUSE	
55	*4-904-446-11	PLATE, GROUND		915	1-533-183-11	HOLDER, FUSE	
56	*4-931-995-01	(US)...PANEL, BACK		916	*A-4334-798-A	MOUNTED PCB, MAIN	55
56	*4-931-995-11	(Canadian)...PANEL, BACK		917	*A-4303-282-A	(US, Canadian)...MOUNTED PCB, TUNER (TCB 007-21K2)	
56	*4-931-995-21	(AUS)...PANEL, BACK		917	*A-4303-321-A	(AUS)...MOUNTED PCB, TUNER (TCB 007-20K)	
57	7-621-849-00	SCREW, TAPPING		918	*1-634-882-11	IC BOARD, VIDEO	
58	3-706-165-00	SCREW		919	*1-634-881-11	IC BOARD, SPEAKER TM	
59	7-682-548-09	SCREW +BVTT 3X8 (S)		920	*1-557-577-11	(US, Canadian)...CORD, POWER	
60	3-701-748-00	CLAMP		920	*1-559-912-11	(AUS)...CORD, POWER	
61	*3-703-244-00	BUSHING (2104), CORD		F851	*1-532-745-11	FUSE, GLASS TUBE (3.15A/125V)	
62	7-685-646-79	SCREW +BVTP 3X8 TYPE2 N-S		F852	*1-532-745-11	FUSE, GLASS TUBE (3.15A/125V)	
63	7-682-550-04	SCREW +BVTT 3X12 (S)		F901	*1-532-598-00	FUSE, GLASS TUBE	
64	7-682-552-04	SCREW +BVTT 3X16 (S)		F902	*1-532-509-00	FUSE, GLASS TUBE 6.3A	
65	7-682-547-04	SCREW +BVTT 3X6 (S)		J701	1-507-796-71	JACK (HEADPHONES)	
906	*1-634-883-11	IC BOARD, HEADPHONE		Q811	8-729-107-25	TRANSISTOR 2SD1585-L	
907	*1-634-880-11	IC BOARD, INPUT BAL		RV401	1-241-049-11	RES. VAR. CARBON 100K (INPUT BALANCE)	
908	*1-634-879-11	IC BOARD, BALANCE		RV601	1-241-047-11	RES. VAR. CARBON 50K/50K (BASS)	
909	*1-634-873-11	IC BOARD, IC		RV602	1-241-047-11	RES. VAR. CARBON 50K/50K (TREBLE)	
910	*1-634-872-11	IC BOARD, REAR		RV603	1-241-048-11	RES. VAR. CARBON 100K/100K (BALANCE)	
911	*1-634-884-11	PC BOARD, POWER IC		S701	1-572-291-11	SWITCH, ROTARY SLIDE	
				T802	*1-450-083-11	(US)...TRANSFORMER, POWER	
				T802	*1-450-160-11	(Canadian)...TRANSFORMER, POWER	
				T802	*1-450-291-11	(AUS)...TRANSFORMER, POWER	

SECTION 5 ELECTRICAL PARTS LIST

NOTE:

- Due to standardization, replacements in the parts list may be different from the parts specified in the diagrams or the components used on the set.
- Items marked "★" are not stocked since they are seldom required for routine service. Some delay should be anticipated when ordering these items.
- If there are two or more same circuits in a set such as a stereophonic machine, only typical circuit parts may be indicated and capacitors and resistors in other same circuits may be omitted.

CAPACITORS:MF: μ F, PF: μ μF.**RESISTORS**

- All resistors are in ohms.
- F: nonflammable

COILS

- MMH: mH, UH: μ H

SEMICONDUCTORSIn each case, U: μ , for example:UA...: μ A..., UPA...: μ PA...,UPC...: μ PC, UPD...: μ PD...

The components identified by mark Δ or dotted line with mark Δ are critical for safety. Replace only with part number specified.

- AUS: Australian model.

TUNER BOARD

Ref.No	Part No.	Description							
CAPACITOR									
C1	1-162-294-31	CERAMIC CHIP	0.001MF	20%	25V				
C2	1-124-477-11	ELECT	47MF	20%	16V				
C3	1-163-059-00	CERAMIC MELF	0.01MF	20%	16V				
C4	1-162-294-31	CERAMIC CHIP	0.001MF	20%	25V				
C5	1-163-059-00	CERAMIC MELF	0.01MF	20%	16V				
C6	1-163-059-00	CERAMIC MELF	0.01MF	20%	16V				
C9	1-163-059-00	CERAMIC MELF	0.01MF	20%	16V				
C21	1-161-021-11	CERAMIC	0.047MF	10%	25V				
C22	1-163-059-00	CERAMIC MELF	0.01MF	20%	16V				
C23	1-124-477-11	ELECT	47MF	20%	16V				
C24	1-123-382-00	ELECT	3.3MF	20%	50V				
C25	1-163-059-00	CERAMIC MELF	0.01MF	20%	16V				
C26	1-162-527-11	CERAMIC CHIP	0.0068MF	20%	12V				
C27	1-162-516-11	CERAMIC CHIP	100PF	10%	50V				
C28	1-124-791-11	ELECT	1.0MF	20%	50V				
C30	1-124-791-11	ELECT	1.0MF	20%	50V				
C31	1-124-902-00	ELECT	0.47MF	20%	50V				
C32	1-124-463-00	ELECT	0.1MF	20%	50V				
C33	1-130-481-00	(AUS)...MYLAR	0.0068MF	5%	50V				
C33	1-130-482-00	(US, Canadian)...MYLAR	0.0082MF	5%	50V				
C34	1-123-382-00	ELECT	3.3MF	20%	50V				
C35	1-130-481-00	(AUS)...MYLAR	0.0068MF	5%	50V				
C35	1-130-482-00	(US, Canadian)...MYLAR	0.0082MF	5%	50V				
C36	1-123-382-00	ELECT	3.3MF	20%	50V				
C37	1-123-875-11	ELECT	10MF	20%	50V				
C39	1-163-059-00	CERAMIC MELF	0.01MF	20%	16V				
C40	1-124-463-00	ELECT	0.1MF	20%	50V				
C41	1-124-927-11	ELECT	4.7MF	20%	50V				
C42	1-163-059-00	CERAMIC MELF	0.01MF	20%	16V				
C43	1-126-176-11	ELECT	220MF	20%	10V				
C44	1-163-059-00	CERAMIC MELF	0.01MF	20%	16V				
C45	1-123-382-00	ELECT	3.3MF	20%	50V				
C46	1-162-524-11	CERAMIC CHIP	0.0022MF	20%	25V				
C48	1-123-382-00	ELECT	3.3MF	20%	50V				
C49	1-162-524-11	CERAMIC CHIP	0.0022MF	20%	25V				
C51	1-124-477-11	ELECT	47MF	20%	16V				
C61	1-163-063-00	CERAMIC MELF	0.022MF		25V				
C62	1-163-063-00	CERAMIC MELF	0.022MF		25V				
C63	1-163-063-00	CERAMIC MELF	0.022MF		25V				
C64	1-163-063-00	CERAMIC MELF	0.022MF		25V				
C81	1-102-961-00	CERAMIC	27PF	5%	50V				
C82	1-102-961-00	CERAMIC	27PF	5%	50V				
C83	1-163-059-00	CERAMIC MELF	0.01MF	20%	16V				
C84	1-163-059-00	CERAMIC MELF	0.01MF	20%	16V				
C85	1-163-059-00	CERAMIC MELF	0.01MF	20%	16V				
C86	1-124-477-11	ELECT	47MF	20%	16V				
C87	1-163-059-00	CERAMIC MELF	0.01MF	20%	16V				
C88	1-163-059-00	CERAMIC MELF	0.01MF	20%	16V				
C101	1-124-925-11	ELECT	2.2MF	20%	50V				
C102	1-124-463-00	ELECT	0.1MF	20%	50V				
C103	1-163-059-00	CERAMIC MELF	0.01MF	20%	16V				
C104	1-163-059-00	CERAMIC MELF	0.01MF	20%	16V				
C105	1-124-477-11	ELECT	47MF	20%	16V				
CC2	1-249-366-11	CARBON MELF	0	5%	1/5W				
CC3	1-249-366-11	CARBON MELF	0	5%	1/5W				
CF1	1-567-389-11	FILTER, CERAMIC							
CF2	1-567-389-11	FILTER, CERAMIC							
CF21	1-577-075-11	OSCILLATOR, CERAMIC							
CFT21	1-404-853-11	TRANSFORMER,IF(CERAMIC FILTER)							
CNJ1	*1-569-387-11	SOCKET, CONNECTOR (PC BARD) 10P							
CNJ2	*1-569-380-11	SOCKET, CONNECTOR (PC BARD) 3P							
CNJ4	*1-569-380-11	SOCKET, CONNECTOR (PC BARD) 3P							
FE1	1-463-862-21	FRONT END, FM							
FE61	1-236-461-11	ENCAPSULATED COMPONENT							
IC21	8-759-821-45	IC LA1851N							
IC81	8-759-820-91	IC LC7218							
L1	1-410-521-11	MICRO INDUCTOR 100UH							
L21	1-410-171-11	MICRO INDUCTOR 1MMH							
LPF21	1-235-164-00	FILTER, LOW PASS							
LPF22	1-235-164-00	FILTER, LOW PASS							
Q1	8-729-266-93	TRANSISTOR 2SC2669							
Q2	8-729-266-93	TRANSISTOR 2SC2669							
Q21	8-729-119-78	TRANSISTOR 2SC2785-HFE							
Q22	8-729-119-78	TRANSISTOR 2SC2785-HFE							
Q23	8-729-806-10	TRANSISTOR 2SA1348							
Q24	8-729-900-80	TRANSISTOR DTC114ES							
Q25	8-729-900-80	TRANSISTOR DTC114ES							
Q81	8-729-806-10	TRANSISTOR 2SA1348							
Q82	8-729-900-80	TRANSISTOR DTC114ES							
Q83	8-729-202-67	TRANSISTOR 2SK246-GR3							
Q84	8-729-201-84	TRANSISTOR 2SC3112B							
RESISTOR									
R1	Δ 1-249-401-11	CARBON (SMALL)47		5%	1/4W	F			
R3	1-249-329-11	CARBON MELF 330		5%	1/8W				
R4	1-249-329-11	CARBON MELF 330		5%	1/8W				
R5	1-249-329-11	CARBON MELF 330		5%	1/8W				
R6	1-249-350-11	CARBON MELF 18K		5%	1/8W				
R7	1-249-329-11	CARBON MELF 330		5%	1/8W				
R8	1-249-332-11	CARBON MELF 560		5%	1/8W				
R9	1-249-352-11	CARBON MELF 27K		5%	1/8W				
R21	Δ 1-249-404-00	CARBON (SMALL)82		5%	1/4W	F			
R22	1-249-428-11	(US, Canadian)...CARBON (SMALL)8.2K		5%	1/4W				
R22	1-249-433-11	(AUS)...CARBON (SMALL) 22K		5%	1/4W				
R23	1-249-335-11	CARBON MELF 1K		5%	1/8W				
R24	1-249-353-11	CARBON MELF 33K		5%	1/8W				
R25	1-249-346-11	CARBON MELF 8.2K		5%	1/8W				
R27	1-249-432-11	CARBON (SMALL)18K		5%	1/4W				
R28	1-249-423-11	CARBON (SMALL)3.3K		5%	1/4W				
R29	1-249-347-11	CARBON MELF 10K		5%	1/8W				
R31	1-249-331-11	CARBON MELF 470		5%	1/8W				
R32	1-249-347-11	CARBON MELF 10K		5%	1/8W				
R33	1-249-347-11	CARBON MELF 10K		5%	1/8W				
R35	1-249-355-11	CARBON MELF 47K		5%	1/8W				
R37	1-249-359-11	CARBON MELF 100K		5%	1/8W				

Ref.No	Part No.	Description				
R38	1-249-363-11	CARBON MELF	220K	5%	1/8W	
R39	1-249-339-11	CARBON MELF	2.2K	5%	1/8W	
R40	1-249-338-11	CARBON MELF	1.8K	5%	1/8W	
R41	1-249-344-11	CARBON MELF	5.6K	5%	1/8W	
R42	1-249-359-11	CARBON MELF	100K	5%	1/8W	
R43	1-249-363-11	CARBON MELF	220K	5%	1/8W	
R44	1-249-339-11	CARBON MELF	2.2K	5%	1/8W	
R45	1-249-338-11	CARBON MELF	1.8K	5%	1/8W	
R46	1-249-344-11	CARBON MELF	5.6K	5%	1/8W	
R47	△.1-249-409-11	CARBON (SMALL)	220	5%	1/4W	F
R61	1-249-359-11	CARBON MELF	100K	5%	1/8W	
R62	1-249-355-11	CARBON MELF	47K	5%	1/8W	
R63	1-249-315-11	CARBON MELF	22	5%	1/8W	
R81	1-249-335-11	CARBON MELF	1K	5%	1/8W	
R82	1-249-335-11	CARBON MELF	1K	5%	1/8W	
R83	1-249-335-11	CARBON MELF	1K	5%	1/8W	
R84	1-249-335-11	CARBON MELF	1K	5%	1/8W	
R85	1-249-347-11	CARBON MELF	10K	5%	1/8W	
R86	1-249-335-11	CARBON MELF	1K	5%	1/8W	
R87	1-249-347-11	CARBON MELF	10K	5%	1/8W	
R88	1-249-343-11	CARBON MELF	4.7K	5%	1/8W	
R89	1-249-335-11	CARBON MELF	1K	5%	1/8W	
R90	1-249-347-11	CARBON MELF	10K	5%	1/8W	
R91	1-249-335-11	CARBON MELF	1K	5%	1/8W	
R92	△.1-249-401-11	CARBON (SMALL)	47	5%	1/4W	F
R101	1-249-341-11	CARBON MELF	3.3K	5%	1/8W	
R102	1-249-332-11	CARBON MELF	560	5%	1/8W	
R103	1-249-335-11	CARBON MELF	1K	5%	1/8W	
R104	1-249-328-11	CARBON MELF	270	5%	1/8W	
R105	1-249-343-11	CARBON MELF	4.7K	5%	1/8W	
R106	1-249-339-11	CARBON MELF	2.2K	5%	1/8W	
R107	1-249-343-11	CARBON MELF	4.7K	5%	1/8W	
R108	1-249-323-11	CARBON MELF	100	5%	1/8W	
R109	1-249-343-11	CARBON MELF	4.7K	5%	1/8W	
R110	△.1-249-405-11	CARBON (SMALL)	100	5%	1/4W	F
RV21	1-238-013-11	ADJ, CARBON	2.2K			
RV22	1-238-017-11	ADJ, CARBON	22K			
RV24	1-238-017-11	ADJ, CARBON	22K			
RV25	1-238-017-11	ADJ, CARBON	22K			
T21	1-404-807-11	TRANSFORMER, DISCRIMINATOR				
TM1	1-536-708-00	TERMINAL BOARD, PUSH 4P (ANTENNA)				
TP1	*1-560-060-00	PIN, CONNECTOR 2P				
XT81	1-577-126-11	VIBRATOR, CRYSTAL (7.2MHz)				

Note: The components identified by mark △ or dotted line with mark △ are critical for safety. Replace only with part number specified.

EXCEPT FOR TUNER BOARD

Ref.No	Part No.	Description
901	*1-634-875-11	PC BOARD, VOLUME LED
902	*A-4334-788-A	(US, Canadian)...MOUNTED PCB, DISPLAY
902	*A-4341-345-A	(AUS)...MOUNTED PCB, DISPLAY
903	*1-634-876-11	PC BOARD, MUTING
904	*1-634-878-11	IC BOARD, VOLUME
906	*1-634-883-11	IC BOARD, HEADPHONE
907	*1-634-880-11	IC BOARD, INPUT BAL
908	*1-634-879-11	IC BOARD, BALANCE
909	*1-634-873-11	IC BOARD, IC
910	*1-634-872-11	IC BOARD, REAR
911	*1-634-884-11	PC BOARD, POWER IC
912	*1-634-877-11	PC BOARD, POWER
913	*1-636-122-11	PC BOARD, PT
914	*1-533-183-11	(AUS)...HOLDER, FUSE
914	*1-533-185-11	(US, Canadian)...HOLDER, FUSE
915	1-533-183-11	HOLDER, FUSE
916	*A-4334-798-A	MOUNTED PCB, MAIN
917	*A-4303-282-A	(US, Canadian)...MOUNTED PCB, TUNER(TCB 007-2LK2)
917	*A-4303-321-A	(AUS)...MOUNTED PCB, TUNER(TCB 007-20K)
918	*1-634-882-11	IC BOARD, VIDEO
919	*1-634-881-11	IC BOARD, SPEAKER TM
920	△1-557-577-11	(US, Canadian)...CORD, POWER
920	△1-559-912-11	(AUS)...CORD, POWER

55

CAPACITOR

C201	1-161-494-00	CERAMIC	0.022MF	25V
C202	1-161-494-00	CERAMIC	0.022MF	25V
C203	1-161-494-00	CERAMIC	0.022MF	25V
C204	1-124-477-11	ELECT	47MF	20% 25V
C205	1-161-494-00	CERAMIC	0.022MF	25V
C206	1-161-494-00	CERAMIC	0.022MF	25V
C207	1-123-875-11	ELECT	10MF	20% 50V
C208	1-162-298-31	CERAMIC	0.0047MF	10% 50V
C209	1-123-875-11	ELECT	10MF	20% 50V
C210	1-161-494-00	CERAMIC	0.022MF	25V
C211	1-162-298-31	CERAMIC	0.0047MF	10% 50V
C251	1-124-477-11	ELECT	47MF	20% 25V
C252	1-124-477-11	ELECT	47MF	20% 25V
C253	1-124-472-11	ELECT	470MF	20% 10V
C254	1-124-472-11	ELECT	470MF	20% 10V
C255	1-124-477-11	ELECT	47MF	20% 25V
C301	1-124-927-11	ELECT	4.7MF	20% 50V
C321	1-102-106-00	CERAMIC	100PF	10% 50V
C322	1-124-927-11	ELECT	4.7MF	20% 50V
C323	1-102-106-00	CERAMIC	100PF	10% 50V
C324	1-102-106-00	CERAMIC	100PF	10% 50V
C325	1-124-477-11	ELECT	47MF	20% 25V
C326	1-130-480-00	MYLAR	0.0056MF	5% 50V
C327	1-130-473-00	MYLAR	0.0015MF	5% 50V
C328	1-124-791-11	ELECT	1MF	20% 50V
C329	1-124-477-11	ELECT	47MF	20% 25V
C330	1-124-477-11	ELECT	47MF	20% 25V
C331	1-102-074-00	CERAMIC	0.001MF	10% 50V
C332	1-124-902-00	ELECT	0.47MF	20% 50V
C351	1-124-927-11	ELECT	4.7MF	20% 50V
C371	1-102-106-00	CERAMIC	100PF	10% 50V
C372	1-124-927-11	ELECT	4.7MF	20% 50V
C373	1-102-106-00	CERAMIC	100PF	10% 50V
C374	1-102-106-00	CERAMIC	100PF	10% 50V
C375	1-124-477-11	ELECT	47MF	20% 25V

Ref.No	Part No.	Description			
C376	1-130-480-00	MYLAR	0.0056MF	5%	50V
C377	1-130-473-00	MYLAR	0.0015MF	5%	50V
C378	1-124-791-11	ELECT	1MF	20%	50V
C382	1-124-902-00	ELECT	0.47MF	20%	50V
C401	1-123-875-11	ELECT	10MF	20%	50V
C402	1-101-880-00	CERAMIC	47PF	5%	50V
C403	1-123-875-11	ELECT	10MF	20%	50V
C404	1-123-875-11	ELECT	10MF	20%	50V
C405	1-123-875-11	ELECT	10MF	20%	50V
C406	1-101-880-00	CERAMIC	47PF	5%	50V
C407	1-102-106-00	CERAMIC	100PF	10%	50V
C408	1-124-927-11	ELECT	4.7MF	20%	50V
C410	1-124-477-11	ELECT	47MF	20%	16V
C411	1-124-477-11	ELECT	47MF	20%	16V
C412	1-102-106-00	CERAMIC	100PF	10%	50V
C413	1-102-106-00	CERAMIC	100PF	10%	50V
C414	1-124-927-11	ELECT	4.7MF	20%	50V
C415	1-124-927-11	ELECT	4.7MF	20%	50V
C416	1-123-875-11	ELECT	10MF	20%	50V
C417	1-130-495-00	MYLAR	0.1MF	5%	50V
C418	1-124-477-11	ELECT	47MF	20%	25V
C419	1-130-495-00	MYLAR	0.1MF	5%	50V
C420	1-130-476-00	MYLAR	0.0027MF	5%	50V
C421	1-130-471-00	MYLAR	0.001MF	5%	50V
C422	1-130-495-00	MYLAR	0.1MF	5%	50V
C423	1-124-477-11	ELECT	47MF	20%	25V
C424	1-130-495-00	MYLAR	0.1MF	5%	50V
C425	1-130-495-00	MYLAR	0.1MF	5%	50V
C426	1-130-495-00	MYLAR	0.1MF	5%	50V
C427	1-130-480-00	MYLAR	0.0056MF	5%	50V
C428	1-102-115-00	CERAMIC	560PF	10%	50V
C429	1-124-927-11	ELECT	4.7MF	20%	50V
C430	1-161-051-00	CERAMIC	0.01MF	10%	50V
C431	1-130-479-00	MYLAR	0.0047MF	5%	50V
C432	1-102-114-00	CERAMIC	470PF	10%	50V
C433	1-102-963-00	CERAMIC	33PF	10%	50V
C434	1-130-480-00	MYLAR	0.0056MF	5%	50V
C435	1-130-488-00	MYLAR	0.027MF	5%	50V
C436	1-124-927-11	ELECT	4.7MF	20%	50V
C437	1-136-502-11	MYLAR	0.33MF	5%	50V
C438	1-130-495-00	MYLAR	0.1MF	5%	50V
C439	1-123-875-11	ELECT	10MF	20%	50V
C440	1-130-483-00	MYLAR	0.01MF	5%	50V
C441	1-130-491-00	MYLAR	0.047MF	5%	50V
C442	1-124-477-11	ELECT	47MF	20%	25V
C443	1-124-477-11	ELECT	47MF	20%	25V
C444	1-124-927-11	ELECT	4.7MF	20%	50V
C445	1-124-927-11	ELECT	4.7MF	20%	50V
C446	1-124-927-11	ELECT	4.7MF	20%	50V
C447	1-124-927-11	ELECT	4.7MF	20%	50V
C448	1-130-483-00	MYLAR	0.01MF	5%	50V
C451	1-123-875-11	ELECT	10MF	20%	50V
C452	1-101-880-00	CERAMIC	47PF	5%	50V
C453	1-123-875-11	ELECT	10MF	20%	50V
C455	1-123-875-11	ELECT	10MF	20%	50V

Ref.No	Part No.	Description				Ref.No	Part No.	Description			
C456	1-101-880-00	CERAMIC	47PF	5%	50V	C722	1-130-491-00	MYLAR	0.047MF	5%	50V
C457	1-102-106-00	CERAMIC	100PF	10%	50V	C723	1-124-472-11	ELECT	470MF	20%	6.3V
C458	1-124-927-11	ELECT	4.7MF	20%	50V	C724	1-123-875-11	ELECT	10MF	20%	50V
C501	1-124-477-11	ELECT	47MF	20%	25V	C731	1-124-927-11	ELECT	4.7MF	20%	50V
C502	1-161-051-00	CERAMIC	0.01MF	10%	50V	C732	1-162-282-31	CERAMIC	100PF	10%	50V
C503	1-124-791-11	ELECT	1MF	20%	50V	C733	1-162-282-31	CERAMIC	100PF	10%	50V
C504	1-161-055-00	CERAMIC	0.022MF	10%	50V	C734	1-124-477-11	ELECT	47MF	20%	25V
C505	1-161-055-00	CERAMIC	0.022MF	10%	50V	C735	1-162-195-31	CERAMIC	4.7PF	10%	50V
C506	1-124-902-00	ELECT	0.47MF	20%	50V	C736	1-123-875-11	ELECT	10MF	20%	50V
C509	1-161-055-00	CERAMIC	0.022MF	10%	50V	C737	1-123-875-11	ELECT	10MF	20%	50V
C510	1-102-110-00	CERAMIC	220PF	10%	50V	C738	1-130-495-00	MYLAR	0.1MF	5%	50V
C511	1-102-110-00	CERAMIC	220PF	10%	50V	C739	1-161-055-00	CERAMIC	0.022MF	10%	50V
C512	1-125-486-11	ELECT	0.22F		5.5V	C751	1-162-290-31	CERAMIC	470PF	10%	50V
C513	1-161-055-00	CERAMIC	0.022MF	10%	50V	C752	1-124-927-11	ELECT	4.7MF	20%	50V
C514	1-161-055-00	CERAMIC	0.022MF	10%	50V	C753	1-162-288-31	CERAMIC	330PF	10%	50V
C601	1-130-489-00	MYLAR	0.033MF	5%	50V	C754	1-126-101-11	ELECT	100MF	20%	16V
C602	1-124-250-00	ELECT	0.15MF	20%	50V	C755	1-162-193-31	CERAMIC	3.3PF	10%	50V
C603	1-130-481-00	MYLAR	0.0068MF	5%	50V	C756	1-124-918-11	ELECT	47MF	20%	63V
C604	1-130-489-00	MYLAR	0.033MF	5%	50V	C757	1-124-572-11	ELECT	100MF	20%	63V
C610	1-124-927-11	ELECT	4.7MF	20%	50V	C758	1-124-915-11	ELECT	10MF	20%	63V
C611	1-124-925-11	ELECT	2.2MF	20%	50V	C759	1-124-791-11	ELECT	1MF	20%	100V
C612	1-101-880-00	CERAMIC	47PF	5%	50V	C760	1-162-294-31	CERAMIC	0.001MF	10%	50V
C613	1-124-927-11	ELECT	4.7MF	20%	50V	C771	1-130-495-00	MYLAR	0.1MF	5%	50V
C614	1-124-791-11	ELECT	1MF	20%	50V	C772	1-130-491-00	MYLAR	0.047MF	5%	50V
C615	1-130-489-00	MYLAR	0.033MF	5%	50V	C801	1-125-479-11	ELECT	10000MF	20%	63V
C616	1-124-477-11	ELECT	47MF	20%	25V	C802	1-106-367-00	MYLAR	0.01MF	5%	200V
C617	1-124-477-11	ELECT	47MF	20%	25V	C803	1-106-367-00	MYLAR	0.01MF	5%	200V
C618	1-124-464-11	ELECT	0.22MF	20%	50V	C804	1-106-367-00	MYLAR	0.01MF	5%	200V
C620	1-124-902-00	ELECT	0.47MF	20%	50V	C805	1-106-367-00	MYLAR	0.01MF	5%	200V
C621	1-123-875-11	ELECT	10MF	20%	50V	C806	1-123-875-11	ELECT	10MF	20%	50V
C622	1-102-106-00	CERAMIC	100PF	10%	50V	C807	1-123-875-11	ELECT	10MF	20%	50V
C623	1-123-875-11	ELECT	10MF	20%	50V	C811	1-106-367-00	MYLAR	0.01MF	5%	200V
C624	1-123-875-11	ELECT	10MF	20%	50V	C812	1-106-367-00	MYLAR	0.01MF	5%	200V
C626	1-124-902-00	ELECT	0.47MF	20%	50V	C813	1-124-557-11	ELECT	1000MF	20%	25V
C628	1-124-925-11	ELECT	2.2MF	20%	50V	C814	1-124-477-11	ELECT	47MF	20%	25V
C631	1-124-791-11	ELECT	1MF	20%	50V	C815	1-124-477-11	ELECT	47MF	20%	25V
C632	1-124-791-11	ELECT	1MF	20%	50V	C816	1-124-791-11	ELECT	1MF	20%	50V
C651	1-130-489-00	MYLAR	0.033MF	5%	50V	C817	1-124-464-11	ELECT	0.22MF	20%	50V
C652	1-124-250-00	ELECT	0.15MF	20%	50V	C818	1-102-973-00	CERAMIC	100PF	5%	50V
C653	1-130-481-00	MYLAR	0.0068MF	5%	50V	C819	1-161-055-00	CERAMIC	0.022MF	10%	50V
C654	1-130-489-00	MYLAR	0.033MF	5%	50V	C831	1-124-563-11	ELECT	2200MF	20%	25V
C660	1-124-927-11	ELECT	4.7MF	20%	50V	C832	1-106-367-00	MYLAR	0.01MF	5%	200V
C661	1-124-925-11	ELECT	2.2MF	20%	50V	C833	1-161-055-00	CERAMIC	0.022MF	10%	50V
C662	1-101-880-00	CERAMIC	47PF	5%	50V	C834	1-161-055-00	CERAMIC	0.022MF	10%	50V
C663	1-124-927-11	ELECT	4.7MF	20%	50V	C835	1-124-477-11	ELECT	47MF	20%	25V
C664	1-124-791-11	ELECT	1MF	20%	50V	C837	1-161-055-00	CERAMIC	0.022MF	10%	50V
C665	1-130-489-00	MYLAR	0.033MF	5%	50V	C838	1-124-477-11	ELECT	47MF	20%	25V
C668	1-124-464-11	ELECT	0.22MF	20%	50V	C851	1-125-479-11	ELECT	10000MF	20%	63V
C670	1-124-902-00	ELECT	0.47MF	20%	50V	C852	1-124-563-11	ELECT	2200MF	20%	25V
C671	1-123-875-11	ELECT	10MF	20%	50V	C853	1-124-563-11	ELECT	2200MF	20%	25V
C672	1-102-106-00	CERAMIC	100PF	10%	50V	C881	1-124-563-11	ELECT	2200MF	20%	25V
C673	1-123-875-11	ELECT	10MF	20%	50V	C882	1-106-367-00	MYLAR	0.01MF	5%	200V
C674	1-123-875-11	ELECT	10MF	20%	50V	C883	1-161-055-00	CERAMIC	0.022MF	10%	50V
C678	1-124-925-11	ELECT	2.2MF	20%	50V	C884	1-161-055-00	CERAMIC	0.022MF	10%	50V
C701	1-162-290-31	CERAMIC	470PF	10%	50V	C885	1-124-477-11	ELECT	47MF	20%	25V
C702	1-124-927-11	ELECT	4.7MF	20%	50V	C901	▲1-161-744-00	CERAMIC	0.01MF		400V
C703	1-162-288-31	CERAMIC	330PF	10%	50V	CN1901	▲1-540-060-11	(US, Canadian)...OUTLET, AC(POLAR)			
C704	1-126-101-11	ELECT	100MF	20%	16V	CNP201A	*1-506-680-11	PLUG, CONNECTOR (2.5MM) 3P			
C705	1-162-193-31	CERAMIC	3.3PF	10%	50V	CNP201B	*1-569-798-11	PLUG, CONNECTOR 6P			
C706	1-124-918-11	ELECT	47MF	20%	63V	CNP401	*1-506-707-11	PLUG, CONNECTOR (2.5MM) 3P			
C707	1-124-572-11	ELECT	100MF	20%	63V	CNP402	*1-506-708-11	PLUG, CONNECTOR (2.5MM) 5P			
C708	1-124-915-11	ELECT	10MF	20%	63V	CNP501	*1-506-709-11	PLUG, CONNECTOR (2.5MM) 7P			
C709	1-124-791-11	ELECT	1MF	20%	100V	CNP502	*1-506-709-31	PLUG, CONNECTOR (2.5MM) 7P			
C710	1-162-294-31	CERAMIC	0.001MF	10%	50V	CNP503	*1-506-709-41	PLUG, CONNECTOR (2.5MM) 7P			
C721	1-130-495-00	MYLAR	0.1MF	5%	50V						

Note: The components identified by mark ▲ or dotted line with mark ▲ are critical for safety. Replace only with part number specified.

Ref.No	Part No.	Description
CNP504	* 1-569-395-11	PIN, CONNECTOR (PC BOARD) 10P
CNP505	* 1-569-388-11	PIN, CONNECTOR (PC BOARD) 3P
CNP506	* 1-569-388-11	PIN, CONNECTOR (PC BOARD) 3P
CNP507	* 1-506-779-11	PLUG, CONNECTOR (2.5MM) 4P
CNP508	* 1-506-707-11	PLUG, CONNECTOR (2.5MM) 3P
CNP601	* 1-564-778-31	PLUG, CONNECTOR (2.5MM) 4P
CNP603	* 1-506-779-31	PLUG, CONNECTOR (2.5MM) 4P
CNP605	* 1-506-778-11	PLUG, CONNECTOR (2.5MM) 2P
CNP701	* 1-506-782-11	PLUG, CONNECTOR (2.5MM) 7P
CNP702	* 1-506-778-11	PLUG, CONNECTOR (2.5MM) 2P
CNP703	* 1-506-778-11	PLUG, CONNECTOR (2.5MM) 2P
CNP704	* 1-564-778-11	PLUG, CONNECTOR (2.5MM) 4P
CNP721	* 1-564-778-31	PLUG, CONNECTOR (2.5MM) 4P
CNP731	* 1-506-777-11	PLUG, CONNECTOR (2.5MM) 2P
CNP801A	* 1-564-778-11	PLUG, CONNECTOR (2.5MM) 4P
CNP801B	* 1-564-779-11	PLUG, CONNECTOR (2.5MM) 6P
CNS201	* 1-565-482-11	CONNECTOR, BOARD TO BOARD 6P
D201	8-719-014-25	DIODE UZP-3.6B
D202	8-719-912-20	DIODE 1SS120
D203	8-719-303-00	DIODE SEL2510C
D204	8-719-301-52	DIODE SEL2810A-C
D205	8-719-301-52	DIODE SEL2810A-C
D206	8-719-301-52	DIODE SEL2810A-C
D207	8-719-912-20	DIODE 1SS120
D208	8-719-912-20	DIODE 1SS120
D209	8-719-912-20	DIODE 1SS120
D210	8-719-912-20	DIODE 1SS120
D211	8-719-912-20	DIODE 1SS120
D212	8-719-912-20	DIODE 1SS120
D213	8-719-912-20	DIODE 1SS120
D215	8-719-912-20	(AUS)...DIODE 1SS120
D216	8-719-912-20	DIODE 1SS120
D217	8-719-912-20	DIODE 1SS120
D218	8-719-912-20	DIODE 1SS120
D219	8-719-301-52	DIODE SEL2810A-C
D220	8-719-301-52	DIODE SEL2810A-C
D401	8-719-912-20	DIODE 1SS120
D501	8-719-912-20	DIODE 1SS120
D502	8-719-912-20	DIODE 1SS120
D503	8-719-912-20	DIODE 1SS120
D504	8-719-912-20	DIODE 1SS120
D505	8-719-912-20	DIODE 1SS120
D506	8-719-912-20	DIODE 1SS120
D507	8-719-912-20	DIODE 1SS120
D601	8-719-912-20	DIODE 1SS120
D602	8-719-912-20	DIODE 1SS120
D603	8-719-912-20	DIODE 1SS120
D604	8-719-912-20	DIODE 1SS120
D605	8-719-912-20	DIODE 1SS120
D606	8-719-912-20	DIODE 1SS120
D606	8-719-303-00	DIODE SEL2510C
D651	8-719-912-20	DIODE 1SS120
D652	8-719-912-20	DIODE 1SS120
D653	8-719-912-20	DIODE 1SS120
D654	8-719-912-20	DIODE 1SS120
D656	8-719-912-20	DIODE 1SS120
D701	8-719-912-20	DIODE 1SS120
D702	8-719-912-20	DIODE 1SS120
D703	8-719-912-20	DIODE 1SS120
D704	8-719-912-20	DIODE 1SS120
D731	8-719-912-20	DIODE 1SS120
D748	8-719-912-20	DIODE 1SS120
D749	8-719-912-20	DIODE 1SS120
D751	8-719-912-20	DIODE 1SS120
D801	8-719-302-37	DIODE RBV-602

Ref.No	Part No.	Description
D802	8-719-934-23	DIODE HZS30-3L
D808	8-719-200-82	DIODE 11ES2
D809	8-719-200-82	DIODE 11ES2
D810	8-719-200-82	DIODE 11ES2
D811	8-719-200-82	DIODE 11ES2
D812	8-719-912-20	DIODE 1SS120
D813	8-719-912-20	DIODE 1SS120
D814	8-719-933-41	DIODE HZS6C3L
D815	8-719-933-41	DIODE HZS6C3L
D816	8-719-914-11	DIODE HZ4ALL
D817	8-719-912-20	DIODE 1SS120
D831	8-719-200-82	DIODE 11ES2
D832	8-719-200-82	DIODE 11ES2
D833	8-719-200-82	DIODE 11ES2
D834	8-719-200-82	DIODE 11ES2
D851	8-719-504-60	DIODE S2VB20
F851	△ 1-532-745-11	FUSE, GLASS TUBE (3.15A/125V)
F852	△ 1-532-745-11	FUSE, GLASS TUBE (3.15A/125V)
F901	△ 1-532-203-00	(AUS)...FUSE, TIME-LAG(T2A/250V)
F901	△ 1-532-598-00	(US, Canadian)...FUSE, GLASS TUBE(4A/125V)
F902	△ 1-532-237-00	(AUS)...FUSE, TIME-LAG(T3.15A/250V)
F902	△ 1-532-509-00	(US, Canadian)...FUSE, GLASS TUBE 6.3A
FL201	1-519-603-11	INDICATOR TUBE, FLUORESCENT
IC201	8-759-990-38	IC MSC1162GS
IC202	8-749-920-59	IC A1QH3020S
IC203	8-759-633-84	IC M66311P
IC204	8-759-921-32	IC SN74HC237N
IC205	8-759-916-48	IC SN74HC151N
IC251	8-759-991-77	IC BA7625
IC301	8-759-112-93	IC UPC4570HA-1
IC302	8-759-805-14	IC LC7822
IC303	8-759-805-14	IC LC7822
IC401	8-759-112-93	IC UPC4570HA-1
IC402	8-759-112-93	IC UPC4570HA-1
IC403	8-759-112-93	IC UPC4570HA-1
IC404	8-759-112-93	IC UPC4570HA-1
IC405	8-759-801-01	IC LC4966
IC406	8-759-633-83	IC M50198P
IC407	8-759-929-37	IC NE646N
IC408	8-759-820-11	IC LC7535
IC501	8-759-820-62	IC LB1639
IC502	8-759-150-86	IC UPD75516GF-141-3B9
IC601	8-759-112-93	IC UPC4570HA-1
IC602	8-759-112-93	IC UPC4570HA-1
IC603	8-759-112-93	IC UPC4570HA-1
IC701	8-749-921-97	IC STK-4221V
IC731	8-749-920-76	IC SI-18752
IC831	8-759-604-39	IC M5F78M12L
IC832	8-759-604-35	IC M5F78M05L
IC881	8-759-604-45	IC M5F79M12L
J251	1-565-319-11	JACK, PIN 2P (VIDEO 2 IN, VIDEO 1 OUT)
J252	1-565-319-11	JACK, PIN 2P (VIDEO 1 OUT, MONITOR VIDEO OUT)
J701	1-507-796-71	JACK (HEADPHONES)
L251	1-410-509-11	INDUCTOR 10UH
L401	1-410-521-11	INDUCTOR 100UH
L501	1-410-521-11	INDUCTOR 100UH
L701	* 1-420-872-00	COIL, AIR CORE
L731	* 1-420-872-00	COIL, AIR CORE
L751	* 1-420-872-00	COIL, AIR CORE
PJ401	1-565-320-11	JACK, PIN 6P (TAPE 2 IN/OUT, VIDEO 1 AUDIO IN)
PJ402	1-565-320-11	JACK, PIN 6P (TAPE 1 IN, VIDEO 2 AUDIO IN, VIDEO 1 AUDIO OUT)
PJ403	1-565-320-11	JACK, PIN 6P (DAT IN/OUT, TAPE 1 OUT)

Note: The components identified by mark △ or dotted line with mark △ are critical for safety. Replace only with part number specified.

Ref.No	Part No.	Description	Ref.No	Part No.	Description				
PJ404	1-565-258-11	JACK, PIN 4P (PHONO IN, CD IN)	R216	1-249-411-11	CARBON	330	5%	1/4W	
Q201	8-729-900-63	TRANSISTOR DTA124ES	R217	1-249-411-11	CARBON	330	5%	1/4W	
Q202	8-729-900-63	TRANSISTOR DTA124ES	R218	1-249-411-11	CARBON	330	5%	1/4W	
Q203	8-729-900-36	TRANSISTOR DTC124ES	R219	1-249-411-11	CARBON	330	5%	1/4W	
Q204	8-729-900-36	TRANSISTOR DTC124ES	R220	1-249-411-11	CARBON	330	5%	1/4W	
Q251	8-729-119-76	TRANSISTOR 2SA1175-HFE	R221	1-249-411-11	CARBON	330	5%	1/4W	
Q252	8-729-119-76	TRANSISTOR 2SA1175-HFE	R222	1-249-411-11	CARBON	330	5%	1/4W	
Q301	8-729-141-30	TRANSISTOR 2SC3623A-LK	R223	1-249-411-11	CARBON	330	5%	1/4W	
Q351	8-729-141-30	TRANSISTOR 2SC3623A-LK	R224	1-249-433-11	CARBON	22K	5%	1/4W	
Q501	8-729-620-05	TRANSISTOR 2SC2603-EF	R225	1-249-433-11	CARBON	22K	5%	1/4W	
Q502	8-729-900-63	TRANSISTOR DTA124ES	R226	1-249-433-11	CARBON	22K	5%	1/4W	
Q503	8-729-900-63	TRANSISTOR DTA124ES	R227	1-249-433-11	CARBON	22K	5%	1/4W	
Q504	8-729-900-63	TRANSISTOR DTA124ES	R228	1-249-433-11	CARBON	22K	5%	1/4W	
Q505	8-729-900-63	TRANSISTOR DTA124ES	R229	1-249-433-11	CARBON	22K	5%	1/4W	
Q506	8-729-900-63	TRANSISTOR DTA124ES	R230	1-249-433-11	CARBON	22K	5%	1/4W	
Q507	8-729-900-36	TRANSISTOR DTC124ES	R231	1-249-433-11	CARBON	22K	5%	1/4W	
Q508	8-729-900-63	TRANSISTOR DTA124ES	R232	1-249-429-11	CARBON	10K	5%	1/4W	
Q509	8-729-900-36	TRANSISTOR DTC124ES	R233	1-249-429-11	CARBON	10K	5%	1/4W	
Q510	8-729-900-36	TRANSISTOR DTC124ES	R251	1-247-804-11	CARBON	75	5%	1/4W	
Q511	8-729-900-63	TRANSISTOR DTA124ES	R252	1-247-804-11	CARBON	75	5%	1/4W	
Q512	8-729-900-36	TRANSISTOR DTC124ES	R253	1-249-403-11	CARBON	68	5%	1/4W	
Q601	8-729-202-67	TRANSISTOR 2SK246GR3	R254	1-249-417-11	CARBON	1K	5%	1/4W	
Q602	8-729-620-05	TRANSISTOR 2SC2603-EF	R255	1-249-403-11	CARBON	68	5%	1/4W	
Q603	8-729-141-30	TRANSISTOR 2SC3623A-LK	R256	1-249-417-11	CARBON	1K	5%	1/4W	
Q604	8-729-141-30	TRANSISTOR 2SC3623A-LK	R257	1-249-405-11	CARBON	100	5%	1/4W	
Q605	8-729-900-36	TRANSISTOR DTC124ES	R258	1-249-405-11	CARBON	100	5%	1/4W	
Q606	8-729-141-30	TRANSISTOR 2SC3623A-LK	R259	1-249-405-11	CARBON	100	5%	1/4W	
Q607	8-729-141-30	TRANSISTOR 2SC3623A-LK	R260	1-249-405-11	CARBON	100	5%	1/4W	
Q651	8-729-202-67	TRANSISTOR 2SK246GR3	R261	1-249-437-11	CARBON	47K	5%	1/4W	
Q652	8-729-620-05	TRANSISTOR 2SC2603-EF	R262	1-249-437-11	CARBON	47K	5%	1/4W	
Q653	8-729-141-30	TRANSISTOR 2SC3623A-LK	R301	1-249-411-11	CARBON	330	5%	1/4W	
Q654	8-729-141-30	TRANSISTOR 2SC3623A-LK	R302	1-249-417-11	CARBON	1K	5%	1/4W	
Q701	8-729-108-14	TRANSISTOR 2SA988-F	R303	1-249-417-11	CARBON	1K	5%	1/4W	
Q702	8-729-620-05	TRANSISTOR 2SC2603-EF	R304	1-249-417-11	CARBON	1K	5%	1/4W	
Q703	8-729-620-05	TRANSISTOR 2SC2603-EF	R305	1-249-417-11	CARBON	1K	5%	1/4W	
Q704	8-729-620-05	TRANSISTOR 2SC2603-EF	R306	1-249-417-11	CARBON	1K	5%	1/4W	
Q705	8-729-620-05	TRANSISTOR 2SC2603-EF	R307	1-249-417-11	CARBON	1K	5%	1/4W	
Q731	8-729-108-14	TRANSISTOR 2SA988-F	R308	1-249-417-11	CARBON	1K	5%	1/4W	
Q749	8-729-620-05	TRANSISTOR 2SC2603-EF	R309	1-249-417-11	CARBON	1K	5%	1/4W	
Q751	8-729-108-14	TRANSISTOR 2SA988-F	R310	1-249-417-11	CARBON	1K	5%	1/4W	
Q801	8-729-107-25	TRANSISTOR 2SD1585-L	R311	1-249-417-11	CARBON	1K	5%	1/4W	
Q811	8-729-107-25	TRANSISTOR 2SD1585-L	R312	1-249-437-11	CARBON	47K	5%	1/4W	
Q812	8-729-620-05	TRANSISTOR 2SC2603-EF	R321	1-249-441-11	CARBON	100K	5%	1/4W	
Q813	8-729-620-05	TRANSISTOR 2SC2603-EF	R322	1-249-441-11	CARBON	100K	5%	1/4W	
Q814	8-729-119-76	TRANSISTOR 2SA1175-HFE	R323	1-249-415-11	CARBON	680	5%	1/4W	
Q815	8-729-119-76	TRANSISTOR 2SA1175-HFE	R324	1-247-897-11	CARBON	560K	5%	1/4W	
Q816	8-729-620-05	TRANSISTOR 2SC2603-EF	R325	1-249-437-11	CARBON	47K	5%	1/4W	
			R326	1-249-441-11	CARBON	100K	5%	1/4W	
			R327	1-249-410-11	CARBON	270	5%	1/4W	
			R328	1-249-405-11	CARBON	100	5%	1/4W	
			R329	1-249-405-11	CARBON	100	5%	1/4W	
			R330	1-249-425-11	CARBON	4.7K	5%	1/4W	
			R331	1-249-429-11	CARBON	10K	5%	1/4W	
			R351	1-249-411-11	CARBON	330	5%	1/4W	
			R352	1-249-417-11	CARBON	1K	5%	1/4W	
			R353	1-249-417-11	CARBON	1K	5%	1/4W	
			R354	1-249-417-11	CARBON	1K	5%	1/4W	
			R355	1-249-417-11	CARBON	1K	5%	1/4W	
			R356	1-249-417-11	CARBON	1K	5%	1/4W	
			R357	1-249-417-11	CARBON	1K	5%	1/4W	
			R358	1-249-417-11	CARBON	1K	5%	1/4W	
			R359	1-249-417-11	CARBON	1K	5%	1/4W	
			R360	1-249-417-11	CARBON	1K	5%	1/4W	
			R361	1-249-417-11	CARBON	1K	5%	1/4W	
			R362	1-249-437-11	CARBON	47K	5%	1/4W	

RESISTOR

R201	1-249-427-11	CARBON	6.8K	5%	1/4W
R202	1-249-387-11	CARBON	3.3	5%	1/4W
R203	1-249-387-11	CARBON	3.3	5%	1/4W
R204	1-249-430-11	CARBON	12K	5%	1/4W
R205	1-249-433-11	CARBON	22K	5%	1/4W
R206	1-249-433-11	CARBON	22K	5%	1/4W
R207	1-249-405-11	CARBON	100	5%	1/4W
R208	1-249-405-11	CARBON	100	5%	1/4W
R209	1-249-409-11	CARBON	220	5%	1/4W
R210	1-249-411-11	CARBON	330	5%	1/4W
R211	1-249-411-11	CARBON	330	5%	1/4W
R212	1-249-411-11	CARBON	330	5%	1/4W
R213	1-249-405-11	CARBON	100	5%	1/4W
R214	1-249-411-11	CARBON	330	5%	1/4W
R215	1-249-411-11	CARBON	330	5%	1/4W

Ref.No	Part No.	Description							
R371	1-249-441-11	CARBON	100K	5%	1/4W				
R372	1-249-441-11	CARBON	100K	5%	1/4W				
R373	1-249-415-11	CARBON	680	5%	1/4W				
R374	1-247-897-11	CARBON	560K	5%	1/4W				
R375	1-249-437-11	CARBON	47K	5%	1/4W				
R376	1-249-441-11	CARBON	100K	5%	1/4W				
R377	1-249-410-11	CARBON	270	5%	1/4W				
R381	1-249-429-11	CARBON	10K	5%	1/4W				
R401	1-247-887-00	CARBON	220K	5%	1/4W				
R402	1-247-887-00	CARBON	220K	5%	1/4W				
R403	1-249-417-11	CARBON	1K	5%	1/4W				
R404	1-249-429-11	CARBON	10K	5%	1/4W				
R405	1-249-429-11	CARBON	10K	5%	1/4W				
R406	1-247-887-00	CARBON	220K	5%	1/4W				
R407	1-249-429-11	CARBON	10K	5%	1/4W				
R408	1-249-429-11	CARBON	10K	5%	1/4W				
R409	1-249-429-11	CARBON	10K	5%	1/4W				
R410	1-247-895-00	CARBON	470K	5%	1/4W				
R411	1-249-429-11	CARBON	10K	5%	1/4W				
R412	1-249-429-11	CARBON	10K	5%	1/4W				
R413	1-249-441-11	CARBON	100K	5%	1/4W				
R420	1-247-887-00	CARBON	220K	5%	1/4W				
R421	1-249-429-11	CARBON	10K	5%	1/4W				
R422	1-249-429-11	CARBON	10K	5%	1/4W				
R423	1-249-429-11	CARBON	10K	5%	1/4W				
R424	1-249-441-11	CARBON	100K	5%	1/4W				
R425	1-249-434-11	CARBON	27K	5%	1/4W				
R426	1-247-903-00	CARBON	1M	5%	1/4W				
R427	1-249-429-11	CARBON	10K	5%	1/4W				
R428	1-249-431-11	CARBON	15K	5%	1/4W				
R429	1-249-431-11	CARBON	15K	5%	1/4W				
R430	1-249-429-11	CARBON	10K	5%	1/4W				
R431	1-249-431-11	CARBON	15K	5%	1/4W				
R432	1-249-422-11	CARBON	2.7K	5%	1/4W				
R433	1-247-885-00	CARBON	180K	5%	1/4W				
R434	1-249-437-11	CARBON	47K	5%	1/4W				
R435	1-249-429-11	CARBON	10K	5%	1/4W				
R436	1-249-435-11	CARBON	33K	5%	1/4W				
R437	1-249-439-11	CARBON	68K	5%	1/4W				
R438	1-249-433-11	CARBON	22K	5%	1/4W				
R439	1-249-433-11	CARBON	22K	5%	1/4W				
R440	1-249-408-11	CARBON	180	5%	1/4W				
R441	1-249-423-11	CARBON	3.3K	5%	1/4W				
R442	1-247-889-00	CARBON	270K	5%	1/4W				
R443	1-249-409-11	CARBON	220	5%	1/4W				
R444	1-249-409-11	CARBON	220	5%	1/4W				
R445	1-249-441-11	CARBON	100K	5%	1/4W				
R446	1-249-435-11	CARBON	33K	5%	1/4W				
R447	1-249-441-11	CARBON	100K	5%	1/4W				
R448	1-249-413-11	CARBON	470	5%	1/4W				
R449	1-249-429-11	CARBON	10K	5%	1/4W				
R450	1-249-429-11	CARBON	10K	5%	1/4W				
R451	1-247-887-00	CARBON	220K	5%	1/4W				
R452	1-247-887-00	CARBON	220K	5%	1/4W				
R453	1-249-417-11	CARBON	1K	5%	1/4W				
R454	1-249-429-11	CARBON	10K	5%	1/4W				
R460	1-247-895-00	CARBON	470K	5%	1/4W				
R461	1-249-429-11	CARBON	10K	5%	1/4W				
R462	1-249-429-11	CARBON	10K	5%	1/4W				
R463	1-249-441-11	CARBON	100K	5%	1/4W				
R501	1-249-437-11	CARBON	47K	5%	1/4W				
R502	1-249-437-11	CARBON	47K	5%	1/4W				
R503	1-249-387-11	CARBON	3.3	5%	1/4W				
R504	1-249-437-11	CARBON	47K	5%	1/4W				
R505	1-249-437-11	CARBON	47K	5%	1/4W				
R506	1-249-437-11	CARBON	47K	5%	1/4W				
R507	1-249-437-11	CARBON	47K	5%	1/4W				
R508	1-249-437-11	CARBON	47K	5%	1/4W				
R509	1-249-437-11	CARBON	47K	5%	1/4W				
R510	1-249-437-11	CARBON	47K	5%	1/4W				
R511	1-249-429-11	CARBON	10K	5%	1/4W				
R512	1-249-429-11	CARBON	10K	5%	1/4W				
R513	1-249-429-11	CARBON	10K	5%	1/4W				
R514	1-249-429-11	CARBON	10K	5%	1/4W				
R515	1-249-429-11	CARBON	10K	5%	1/4W				
R516	1-249-425-11	CARBON	4.7K	5%	1/4W				
R517	1-249-425-11	CARBON	4.7K	5%	1/4W				
R518	1-249-425-11	CARBON	4.7K	5%	1/4W				
R521	1-249-437-11	CARBON	47K	5%	1/4W				
R522	1-249-437-11	CARBON	47K	5%	1/4W				
R523	1-249-422-11	CARBON	2.7K	5%	1/4W				
R524	1-249-429-11	CARBON	10K	5%	1/4W				
R524	1-249-441-11	CARBON	100K	5%	1/4W				
R525	1-249-429-11	CARBON	10K	5%	1/4W				
R526	1-249-429-11	CARBON	10K	5%	1/4W				
R527	1-249-429-11	CARBON	10K	5%	1/4W				
R528	1-249-441-11	CARBON	100K	5%	1/4W				
R530	1-249-425-11	CARBON	4.7K	5%	1/4W				
R531	1-249-437-11	CARBON	47K	5%	1/4W				
R532	1-249-429-11	CARBON	10K	5%	1/4W				
R533	1-249-429-11	CARBON	10K	5%	1/4W				
R534	1-249-417-11	CARBON	1K	5%	1/4W				
R535	1-249-429-11	CARBON	10K	5%	1/4W				
R536	1-249-429-11	CARBON	10K	5%	1/4W				
R537	1-247-887-00	CARBON	220K	5%	1/4W				
R538	1-249-429-11	CARBON	10K	5%	1/4W				
R547	1-249-405-11	CARBON	100	5%	1/4W				
R548	1-249-437-11	CARBON	47K	5%	1/4W				
R549	1-249-437-11	CARBON	47K	5%	1/4W				
R550	1-249-437-11	CARBON	47K	5%	1/4W				
R551	1-249-437-11	CARBON	47K	5%	1/4W				
R552	1-249-437-11	CARBON	47K	5%	1/4W				
R553	1-249-437-11	CARBON	47K	5%	1/4W				
R555	1-247-903-00	CARBON	1M	5%	1/4W				
R601	1-249-429-11	CARBON	10K	5%	1/4W				
R602	1-249-421-11	CARBON	2.2K	5%	1/4W				
R610	1-249-441-11	CARBON	100K	5%	1/4W				
R611	1-249-427-11	CARBON	6.8K	5%	1/4W				
R612	1-249-435-11	CARBON	33K	5%	1/4W				
R613	1-249-441-11	CARBON	100K	5%	1/4W				
R614	1-249-441-11	CARBON	100K	5%	1/4W				
R615	1-249-417-11	CARBON	1K	5%	1/4W				
R616	1-247-883-00	CARBON	150K	5%	1/4W				
R617	1-249-427-11	CARBON	6.8K	5%	1/4W				
R618	1-249-412-11	CARBON	390	5%	1/4W				
R619	1-247-903-00	CARBON	1M	5%	1/4W				
R620	1-249-421-11	CARBON	2.2K	5%	1/4W				
R621	1-249-433-11	CARBON	22K	5%	1/4W				
R630	1-249-417-11	CARBON	1K	5%	1/4W				
R631	1-249-405-11	CARBON	100	5%	1/4W				
R632	1-249-429-11	CARBON	10K	5%	1/4W				
R633	1-249-417-11	CARBON	1K	5%	1/4W				
R634	1-249-441-11	CARBON	100K	5%	1/4W				
R635	1-249-417-11	CARBON	1K	5%	1/4W				
R636	1-249-421-11	CARBON	2.2K	5%	1/4W				
R637	1-247-885-00	CARBON	180K	5%	1/4W				
R638	1-249-429-11	CARBON	10K	5%	1/4W				
R639	1-249-429-11	CARBON	10K	5%	1/4W				
R640	1-249-441-11	CARBON	100K	5%	1/4W				
R641	1-249-405-11	CARBON	100	5%	1/4W				

Ref.No	Part No.	Description				
R642	1-249-429-11	CARBON	10K	5%	1/4W	
R643	1-249-417-11	CARBON	1K	5%	1/4W	
R644	1-249-412-11	CARBON	390	5%	1/4W	
R645	1-249-409-11	CARBON	220	5%	1/4W	
R647	1-249-441-11	CARBON	100K	5%	1/4W	
R649	1-249-441-11	CARBON	100K	5%	1/4W	
R651	1-249-429-11	CARBON	10K	5%	1/4W	
R652	1-249-421-11	CARBON	2.2K	5%	1/4W	
R660	1-249-441-11	CARBON	100K	5%	1/4W	
R661	1-249-427-11	CARBON	6.8K	5%	1/4W	
R662	1-249-435-11	CARBON	33K	5%	1/4W	
R663	1-249-441-11	CARBON	100K	5%	1/4W	
R664	1-249-441-11	CARBON	100K	5%	1/4W	
R665	1-249-417-11	CARBON	1K	5%	1/4W	
R666	1-247-883-00	CARBON	150K	5%	1/4W	
R667	1-249-427-11	CARBON	6.8K	5%	1/4W	
R668	1-249-412-11	CARBON	390	5%	1/4W	
R669	1-247-903-00	CARBON	1M	5%	1/4W	
R670	1-249-421-11	CARBON	2.2K	5%	1/4W	
R671	1-249-433-11	CARBON	22K	5%	1/4W	
R680	1-249-417-11	CARBON	1K	5%	1/4W	
R681	1-249-405-11	CARBON	100	5%	1/4W	
R682	1-249-429-11	CARBON	10K	5%	1/4W	
R683	1-249-417-11	CARBON	1K	5%	1/4W	
R684	1-249-441-11	CARBON	100K	5%	1/4W	
R685	1-249-417-11	CARBON	1K	5%	1/4W	
R686	1-249-421-11	CARBON	2.2K	5%	1/4W	
R687	1-247-885-00	CARBON	180K	5%	1/4W	
R688	1-249-429-11	CARBON	10K	5%	1/4W	
R689	1-249-429-11	CARBON	10K	5%	1/4W	
R690	1-249-441-11	CARBON	100K	5%	1/4W	
R697	1-249-441-11	CARBON	100K	5%	1/4W	
R699	1-249-441-11	CARBON	100K	5%	1/4W	
R701	1-249-417-11	CARBON	1K	5%	1/4W	
R702	1-249-438-11	CARBON	56K	5%	1/4W	
R703	1-249-410-11	CARBON	270	5%	1/4W	
R704	1-249-438-11	CARBON	56K	5%	1/4W	
R705	1-249-425-11	CARBON	4.7K	5%	1/4W	
R706	1-247-840-00	CARBON	2.4K	5%	1/4W	
R707	△.1-217-156-00	METAL PLATE	2		5W	F
R708	1-249-419-11	CARBON	1.5K	5%	1/4W	
R709	△.1-249-405-11	CARBON	100	5%	1/4W	F
R710	△.1-249-405-11	CARBON	100	5%	1/4W	F
R711	1-249-413-11	CARBON	470	5%	1/4W	
R712	1-247-840-00	CARBON	2.4K	5%	1/4W	
R721	1-249-431-11	CARBON	15K	5%	1/4W	
R722	△.1-247-727-11	CARBON	10	5%	1/2W	F
R723	1-249-433-11	CARBON	22K	5%	1/4W	
R724	1-247-768-00	CARBON	2.4	5%	1/4W	
R725	1-247-768-00	CARBON	2.4	5%	1/4W	
R726	1-249-435-11	CARBON	33K	5%	1/4W	
R727	1-249-435-11	CARBON	33K	5%	1/4W	
R728	1-249-427-11	CARBON	6.8K	5%	1/4W	
R729	△.1-215-863-11	METAL OXIDE	100	5%	1W	F
R730	1-249-437-11	CARBON	47K	5%	1/4W	
R731	1-249-435-11	CARBON	33K	5%	1/4W	
R732	1-249-439-11	CARBON	68K	5%	1/4W	
R733	1-249-419-11	CARBON	1.5K	5%	1/4W	
R734	1-249-439-11	CARBON	68K	5%	1/4W	
R735	1-249-423-11	CARBON	3.3K	5%	1/4W	
R736	1-249-431-11	CARBON	15K	5%	1/4W	
R737	△.1-216-361-00	METAL OXIDE	0.22	5%	2W	F
R738	△.1-249-393-11	CARBON	10	5%	1/4W	
R739	1-247-768-00	CARBON	2.4	5%	1/4W	
R740	1-247-768-00	CARBON	2.4	5%	1/4W	

Ref.No	Part No.	Description				
R741	1-249-433-11	CARBON	22K	5%	1/4W	
R747	△.1-215-890-11	METAL OXIDE	470	5%	2W	F
R748	△.1-247-742-11	CARBON	180	5%	1/2W	
R749	1-249-437-11	CARBON	47K	5%	1/4W	
R751	1-249-417-11	CARBON	1K	5%	1/4W	
R752	1-249-438-11	CARBON	56K	5%	1/4W	
R753	1-249-410-11	CARBON	270	5%	1/4W	
R754	1-249-438-11	CARBON	56K	5%	1/4W	
R755	1-249-425-11	CARBON	4.7K	5%	1/4W	
R756	1-247-840-00	CARBON	2.4K	5%	1/4W	
R757	△.1-217-156-00	METAL PLATE	0.22		5W	F
R758	1-249-419-11	CARBON	1.5K	5%	1/4W	
R761	1-249-413-11	CARBON	470	5%	1/4W	
R762	1-247-840-00	CARBON	2.4K	5%	1/4W	
R771	1-249-431-11	CARBON	15K	5%	1/4W	
R772	△.1-247-727-11	CARBON	10	5%	1/2W	F
R773	1-249-433-11	CARBON	22K	5%	1/4W	
R774	1-247-768-00	CARBON	2.4	5%	1/4W	
R775	1-247-768-00	CARBON	2.4	5%	1/4W	
R776	1-249-435-11	CARBON	33K	5%	1/4W	
R797	△.1-215-890-11	METAL OXIDE	470	5%	2W	F
R801	△.1-249-409-11	CARBON	220	5%	1/4W	F
R802	1-249-426-11	CARBON	5.6K	5%	1/4W	
R803	△.1-216-427-00	METAL OXIDE	120	5%	1W	F
R811	1-249-417-11	CARBON	1K	5%	1/4W	
R812	1-249-437-11	CARBON	47K	5%	1/4W	
R813	1-249-429-11	CARBON	10K	5%	1/4W	
R814	1-249-433-11	CARBON	22K	5%	1/4W	
R815	1-249-425-11	CARBON	4.7K	5%	1/4W	
R816	1-249-426-11	CARBON	5.6K	5%	1/4W	
R817	1-249-429-11	CARBON	10K	5%	1/4W	
R818	1-249-426-11	CARBON	5.6K	5%	1/4W	
R819	1-249-417-11	CARBON	1K	5%	1/4W	
R820	1-249-417-11	CARBON	1K	5%	1/4W	
R821	1-249-429-11	CARBON	10K	5%	1/4W	
R822	1-249-396-11	CARBON	18	5%	1/4W	
R831	△.1-249-385-11	CARBON	2.2	5%	1/4W	F
R881	△.1-249-385-11	CARBON	2.2	5%	1/4W	F
R901	△.1-202-725-00	SOLID	3.3M	10%	1/2W	
RB501	1-233-082-11	COMPOSITION CIRCUIT BLOCK (10K X 10)				
RV401	1-241-049-11	RES. VAR. CARBON 100K (INPUT BALANCE)				
RV601	1-241-047-11	RES. VAR. CARBON 50K/50K (BASS)				
RV602	1-241-047-11	RES. VAR. CARBON 50K/50K (TREBLE)				
RV603	1-241-048-11	RES. VAR. CARBON 100K/100K (BALANCE)				
RV604	1-241-027-11	RES. VAR. CARBON 100K/100K/100K (VOLUME)				
RY601	1-515-726-11	RELAY				
RY701	1-515-732-11	RELAY				
RY731	1-515-626-11	RELAY				
RY901	△.1-515-617-11	(AUS)...RELAY				
RY901	△.1-515-701-11	(US, Canadian)...RELAY				
S201	1-554-303-21	SWITCH, KEY BOARD (POWER)				
S202	1-554-303-21	SWITCH, KEY BOARD (DBFB)				
S203	1-554-303-21	SWITCH, KEY BOARD (-20dB MUTING)				
S204	1-554-303-21	SWITCH, KEY BOARD (INDEX TUNING -)				
S205	1-554-303-21	SWITCH, KEY BOARD (INDEX TUNING +)				
S206	1-554-303-21	SWITCH, KEY BOARD (PRESET TUNING -)				
S207	1-554-303-21	SWITCH, KEY BOARD (PRESET TUNING +)				
S208	1-554-303-21	SWITCH, KEY BOARD (CURSOR MODE TUNER INDEX)				
S209	1-554-303-21	SWITCH, KEY BOARD (CURSOR MODE TUNER TUNING)				
S210	1-554-303-21	SWITCH, KEY BOARD (CURSOR MODE SURROUND)				
S211	1-554-303-21	SWITCH, KEY BOARD (△)				
S212	1-554-303-21	SWITCH, KEY BOARD (▽)				

Note: The components identified by mark △ or dotted line with mark △ are critical for safety. Replace only with part number specified.

Ref.No	Part No.	Description
S213	1-554-303-21	SWITCH, KEY BOARD (TUNING DIRECT)
S215	1-554-303-21	SWITCH, KEY BOARD (◁)
S216	1-554-303-21	SWITCH, KEY BOARD (▷)
S217	1-554-303-21	SWITCH, KEY BOARD (SHIFT)
S218	1-554-303-21	SWITCH, KEY BOARD (9)
S219	1-554-303-21	SWITCH, KEY BOARD (6)
S220	1-554-303-21	SWITCH, KEY BOARD (3)
S221	1-554-303-21	SWITCH, KEY BOARD (TUNER FM MODE)
S222	1-554-303-21	SWITCH, KEY BOARD (TUNER FM/AM)
S223	1-554-303-21	SWITCH, KEY BOARD (INDEX TUNING INDEX SELECT)
S224	1-554-303-21	SWITCH, KEY BOARD (0)
S225	1-554-303-21	SWITCH, KEY BOARD (8)
S226	1-554-303-21	SWITCH, KEY BOARD (5)
S227	1-554-303-21	SWITCH, KEY BOARD (2)
S228	1-554-303-21	SWITCH, KEY BOARD (MEMORY)
S229	1-554-303-21	SWITCH, KEY BOARD (7)
S230	1-554-303-21	SWITCH, KEY BOARD (4)
S231	1-554-303-21	SWITCH, KEY BOARD (1)
S232	1-554-303-21	SWITCH, KEY BOARD (EDIT AUDIO)
S233	1-554-303-21	SWITCH, KEY BOARD (SURROUND MODE)
S234	1-554-303-21	SWITCH, KEY BOARD (SURROUND ON/OFF)
S235	1-554-303-21	SWITCH, KEY BOARD (DAT)
S236	1-554-303-21	SWITCH, KEY BOARD (CD)
S237	1-554-303-21	SWITCH, KEY BOARD (TUNER)
S238	1-554-303-21	SWITCH, KEY BOARD (PHONO)
S239	1-554-303-21	SWITCH, KEY BOARD (TAPE 2 MONITOR)
S240	1-554-303-21	SWITCH, KEY BOARD (TAPE 1)
S241	1-554-303-21	SWITCH, KEY BOARD (VIDEO 2/LD)
S242	1-554-303-21	SWITCH, KEY BOARD (VIDEO 1)
S243	1-554-303-21	SWITCH, KEY BOARD (DISPLAY MODE FREQ/INDEX)
S701	1-572-291-11	SWITCH, ROTARY SLIDE (SPEAKER)
T802	△ 1-450-083-11	(US)...TRANSFORMER, POWER
T802	△ 1-450-160-11	(Canadian)...TRANSFORMER, POWER
T802	△ 1-450-291-11	(AUS)...TRANSFORMER, POWER
T901	△ 1-448-517-21	(US, Canadian)...TRANSFORMER, POWER
T901	△ 1-450-262-11	(AUS)...TRANSFORMER, POWER
TM701	1-536-706-00	TERMINAL BOARD (SP)
TM702	* 1-536-708-41	TERMINAL BOARD, PUSH 4P
VZ901	△ 1-807-180-11	(AUS)...VARISTOR(SNR-14A 300K)
VZ901	△ 1-807-293-11	(US, Canadian)...VARISTOR(SNR-14A 140K)
X401	1-567-818-21	VIBRATOR, CERAMIC
Y501	1-577-101-11	VIBRATOR, CERAMIC

Ref.No	Part No.	Description
ACCESSORIES & PACKING MATERIALS		

	1-465-423-11	REMOTE COMMANDER (RM-S103)
	1-501-224-00	ANTENNA, FEEDER
	1-501-374-11	ANTENNA, LOOP
	2-181-754-01	COVER, BATTERY
	3-701-630-00	BAG, POLYETHYLENE
*	3-704-350-01	SHEET (STANDARD), PROTECTION
	3-751-884-21	MANUAL, INSTRUCTION (ENGLISH)
	3-751-884-31	(Canadian)...MANUAL, INSTRUCTION (FRENCH)
* 4-924-994-11		CUSHION (BOTTOM)
* 4-924-995-01		CUSHION (TOP)
* 4-938-149-01		INDIVIDUAL CARTON

Note: The components identified by mark △ or dotted line with mark △ are critical for safety. Replace only with part number specified.