

# STR-DA2000ES/DB2000

## SERVICE MANUAL

Ver. 1.3 2005.01

US Model  
Canadian Model  
STR-DA2000ES  
AEP Model  
UK Model  
E Model  
STR-DB2000



Photo: STR-DB2000

This receiver incorporates Dolby\* Digital and Pro Logic Surround and the DTS\*\* Digital Surround System.

\* Manufactured under license from Dolby Laboratories.

Dolby , Pro Logic and the double-D symbol are trademarks of Dolby Laboratories.

\*\* DTS , DTS-ES Extended Surround , and Neo:6 are trademarks of Digital Theater Systems, Inc.

### SPECIFICATIONS

#### AUDIO POWER SPECIFICATIONS

##### POWER OUTPUT AND TOTAL HARMONIC DISTORTION: (STR-DA2000ES model of area code US only)

With 8 ohm loads, both channels driven, from 20 – 20,000 Hz; rated 120 watts per channel minimum RMS power, with no more than 0.6% total harmonic distortion from 250 milliwatts to rated output.

##### Amplifier section

Rated Power Output at Stereo Mode  
(8 ohms 20 Hz – 20 kHz, THD 0.6%) 120 W + 120 W  
(4 ohms 20 Hz – 20 kHz, THD 0.6%) 100 W + 100 W  
Reference Power Output

(8 ohms 20 Hz – 20 kHz, THD 0.6%)  
FRONT<sup>1)</sup>: 120 W + 120 W  
CENTER<sup>1)</sup>: 120 W  
SURR<sup>1)</sup>: 120 W + 120 W  
SURR BACK<sup>1)2)</sup>: 120 W + 120 W  
SURR BACK<sup>1)3)</sup>: 120 W  
(4 ohms 20 Hz – 20 kHz, THD 0.6%)  
FRONT<sup>1)</sup>: 100 W + 100 W  
CENTER<sup>1)</sup>: 100 W  
SURR<sup>1)</sup>: 100 W + 100 W  
SURR BACK<sup>1)2)</sup>: 100 W + 100 W  
SURR BACK<sup>1)3)</sup>: 100 W

- 1) Depending on the sound field settings and the source, there may be no sound output.
- 2) Model of STR-DA2000ES only.
- 3) Model of STR-DB2000 only.

##### Frequency response

PHONO	RIAA equalization curve ±0.5 dB
MULTI CHANNEL INPUT 1, 2, CD/ SACD, TAPE, MD/ DAT, DVD, TV/SAT, VIDEO 1, 2, 3	10 Hz – 40 kHz ±3 dB (8 ohms)

##### Inputs (Analog)

PHONO	S/N: 86 dB
MULTI CHANNEL INPUT 1, 2, CD/ SACD, TAPE, MD/ DAT, DVD, TV/SAT, VIDEO 1, 2, 3	S/N: 96 dB

##### Inputs (Digital)

DVD (Coaxial)	Impedance: 75 ohms S/N: 100 dB (A, 20 kHz LPF)
---------------	--

DVD, TV/SAT, MD/ DAT, VIDEO3 (Optical)	S/N: 100 dB (A, 20 kHz LPF)
--	--------------------------------

##### Outputs

TAPE, MD/DAT (AUDIO OUT), VIDEO 1, 2 (AUDIO OUT)	Voltage: 150 mV Impedance: 2.2 kilohms
FRONT L/R (STR- DA2000ES only), SUB WOOFER	Voltage: 2 V Impedance: 1 kilohm

##### EQUALIZER

Gain levels	±10 dB, 1 dB step
-------------	-------------------

– Continued on next page –

## FM STEREO FM/AM RECEIVER

# STR-DA2000ES/DB2000

## FM tunersection

Tuning range	87.5 - 108.0 MHz
Antenna	FM wire antenna
Antenna terminals	75 ohms, unbalanced
Sensitivity	
Mono:	18.3 dBf, 2.2 $\mu$ V/75 ohms
Stereo:	38.3 dBf, 22.5 $\mu$ V/75 ohms
Useable sensitivity	11.2 dBf, 1 $\mu$ V/75 ohms
S/N	
Mono:	76 dB
Stereo:	70 dB
Harmonic distortion at 1 kHz	
Mono:	0.3%
Stereo:	0.5%
Separation	45 dB at 1 kHz
Frequency response	30 Hz – 15 kHz, +0.5/-2 dB
Selectivity	60 dB at 400 kHz

## AM tunersection

Tuning range	
STR-DA2000ES:	530 – 1,710 kHz <sup>4)</sup> (With 10-kHz tuning scale)
	531 – 1,710 kHz <sup>4)</sup> (With 9-kHz tuning scale)

STR-DB2000:	531 – 1,602 kHz (With 9-kHz tuning scale)
Antenna	Loop antenna
Usable sensitivity	50 dB/m (at 1,000 kHz or 999 kHz)
S/N	54 dB (at 50 mV/m)
Harmonic distortion	0.5% (50 mV/m, 400 Hz)
Selectivity	
At 9 kHz:	35 dB
At 10 kHz:	40 dB

4) You can change the AM tuning scale to 9 kHz or 10 kHz. After tuning in any AM station, turn off the receiver. While holding down PRESET TUNING + or TUNING +, press I/⏏. All preset stations will be erased when you change the tuning scale. To reset the scale to 10 kHz (or 9 kHz), repeat the procedure.

## Video section

Inputs/Outputs	
Video:	1 Vp-p, 75 ohms
S-video:	Y: 1 Vp-p, 75 ohms C: 0.286 Vp-p, 75 ohms
COMPONENT VIDEO:	Y: 1 Vp-p, 75 ohms P <sub>B</sub> /C <sub>B</sub> /B-Y: 0.7 Vp-p, 75 ohms P <sub>R</sub> /C <sub>R</sub> /R-Y: 0.7 Vp-p, 75 ohms

## General

### Power requirements

Area code	Power requirements
STR-DA2000ES	120 V AC, 60 Hz
STR-DB2000: AEP, UK	230 V AC, 50/60 Hz
STR-DB2000: Singapore, Malaysia	220-230 V AC, 50/60 Hz

### Power consumption

Area code	Power consumption
Except STR-DA2000ES: Canadian	170 W
STR-DA2000ES : Canadian	300 VA

### Power consumption (during standby mode)

	1 W
Dimensions	430 × 161 × 400 mm including projecting parts and controls
Mass (Approx.)	10 kg

## Supplied accessories

FM wire antenna	(1)
AM loop antenna	(1)
STR-DA2000ES:	
Remote commander RM-LG112	(1)
R6 (size-AA) batteries	(2)
STR-DB2000:	
Remote commander RM-PP412	(1)
R6 (size-AA) batteries	(2)

Design and specifications are subject to change without notice.

**Notes on chip component replacement**

- Never reuse a disconnected chip component.
- Notice that the minus side of a tantalum capacitor may be damaged by heat.

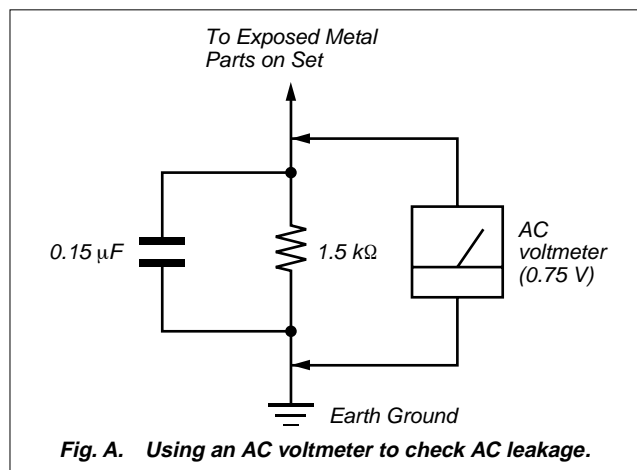
**SAFETY CHECK-OUT**

After correcting the original service problem, perform the following safety check before releasing the set to the customer: Check the antenna terminals, metal trim, “metallized” knobs, screws, and all other exposed metal parts for AC leakage. Check leakage as described below.

**LEAKAGE TEST**

The AC leakage from any exposed metal part to earth ground and from all exposed metal parts to any exposed metal part having a return to chassis, must not exceed 0.5 mA (500 microamperes.). Leakage current can be measured by any one of three methods.

1. A commercial leakage tester, such as the Simpson 229 or RCA WT-540A. Follow the manufacturers' instructions to use these instruments.
2. A battery-operated AC milliammeter. The Data Precision 245 digital multimeter is suitable for this job.
3. Measuring the voltage drop across a resistor by means of a VOM or battery-operated AC voltmeter. The “limit” indication is 0.75 V, so analog meters must have an accurate low-voltage scale. The Simpson 250 and Sanwa SH-63Trd are examples of a passive VOM that is suitable. Nearly all battery operated digital multimeters that have a 2 V AC range are suitable. (See Fig. A)

**UNLEADED SOLDER**

Boards requiring use of unleaded solder are printed with the lead-free mark (LF) indicating the solder contains no lead. (Caution: Some printed circuit boards may not come printed with the lead free mark due to their particular size)

**LF : LEAD FREE MARK**

Unleaded solder has the following characteristics.

- Unleaded solder melts at a temperature about 40 °C higher than ordinary solder.  
Ordinary soldering irons can be used but the iron tip has to be applied to the solder joint for a slightly longer time. Soldering irons using a temperature regulator should be set to about 350 °C.  
Caution: The printed pattern (copper foil) may peel away if the heated tip is applied for too long, so be careful!
- Strong viscosity  
Unleaded solder is more viscous (sticky, less prone to flow) than ordinary solder so use caution not to let solder bridges occur such as on IC pins, etc.
- Usable with ordinary solder  
It is best to use only unleaded solder but unleaded solder may also be added to ordinary solder.

**SAFETY-RELATED COMPONENT WARNING!!**

COMPONENTS IDENTIFIED BY MARK  $\triangle$  OR DOTTED LINE WITH MARK  $\triangle$  ON THE SCHEMATIC DIAGRAMS AND IN THE PARTS LIST ARE CRITICAL TO SAFE OPERATION. REPLACE THESE COMPONENTS WITH SONY PARTS WHOSE PART NUMBERS APPEAR AS SHOWN IN THIS MANUAL OR IN SUPPLEMENTS PUBLISHED BY SONY.

**ATTENTION AU COMPOSANT AYANT RAPPORT À LA SÉCURITÉ!**

LES COMPOSANTS IDENTIFIÉS PAR UNE MARQUE  $\triangle$  SUR LES DIAGRAMMES SCHÉMATIQUES ET LA LISTE DES PIÈCES SONT CRITIQUES POUR LA SÉCURITÉ DE FONCTIONNEMENT. NE REMPLACER CES COMPOSANTS QUE PAR DES PIÈCES SONY DONT LES NUMÉROS SONT DONNÉS DANS CE MANUEL OU DANS LES SUPPLÉMENTS PUBLIÉS PAR SONY.

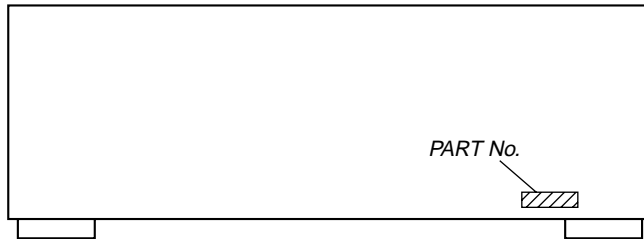
## TABLE OF CONTENTS

<b>1. SERVICING NOTES</b> .....	5	6-32. Schematic Diagram – DIGITAL Board (4/8) – .....	47
<b>2. GENERAL</b>		6-33. Schematic Diagram – DIGITAL Board (5/8) – .....	48
Location of Controls .....	8	6-34. Schematic Diagram – DIGITAL Board (6/8) – .....	49
<b>3. DISASSEMBLY</b>		6-35. Schematic Diagram – DIGITAL Board (7/8) – .....	50
3-1. Disassembly Flow .....	9	6-36. Schematic Diagram – DIGITAL Board (8/8) – .....	51
3-2. Case .....	10	6-37. Printed Wiring Board	
3-3. Front Panel Section .....	10	– D. AMP Board (Component Side) – .....	52
3-4. Switching Regulator .....	11	6-38. Printed Wiring Board	
3-5. MAIN Block .....	11	– D. AMP Board (Conductor Side) – .....	53
3-6. DIGITAL Board .....	12	6-39. Schematic Diagram – D. AMP Section (1/6) – .....	54
3-7. D. AMP Board Section .....	12	6-40. Schematic Diagram – D. AMP Section (2/6) – .....	55
<b>4. TEST MODE</b> .....	13	6-41. Schematic Diagram – D. AMP Section (3/6) – .....	56
<b>5. ELECTRICAL ADJUSTMENTS</b> .....	15	6-42. Schematic Diagram – D. AMP Section (4/6) – .....	57
<b>6. DIAGRAMS</b>		6-43. Schematic Diagram – D. AMP Section (5/6) – .....	58
6-1. Block Diagram		6-44. Schematic Diagram – D. AMP Section (6/6) – .....	59
– AUDIO (ANALOG) (1/2) Section – .....	16	6-45. Printed Wiring Board	
6-2. Block Diagram		– CIS Board (STR-DA2000ES only) – .....	60
– AUDIO (ANALOG) (2/2) Section – .....	17	6-46. Schematic Diagram	
6-3. Block Diagram		– CIS Board (STR-DA2000ES only) – .....	61
– AUDIO (DIGITAL) (1/3) Section – .....	18	6-47. Printed Wiring Board – PANEL Section – .....	62
6-4. Block Diagram		6-48. Schematic Diagram – PANEL Section – .....	63
– AUDIO (DIGITAL) (2/3) Section – .....	19	6-49. Printed Wiring Board – HP-V3 Board – .....	64
6-5. Block Diagram		6-50. Schematic Diagram – HP-V3 Board – .....	65
– AUDIO (DIGITAL) (3/3) Section – .....	20	6-51. Printed Wiring Board – REG Board – .....	66
6-6. Block Diagram – PRE OUT Section – .....	21	6-52. Schematic Diagram – REG Board – .....	67
6-7. Block Diagram – POWER AMP Section – .....	22	6-53. IC Pin Function Description .....	79
6-8. Block Diagram – VIDEO Section – .....	23	<b>7. EXPLODED VIEWS</b>	
6-9. Block Diagram – PANEL Section – .....	24	7-1. Case Section .....	91
6-10. Block Diagram – POWER Section – .....	25	7-2. Front Panel Section .....	92
6-11. Note for Printed Wiring Boards		7-3. Base Panel Section .....	93
and Schematic Diagrams .....	26	7-4. Power Block Section .....	94
6-12. Schematic Diagram – 2CH. AU Board (1/3) .....	27	7-5. Tuner Section .....	95
6-13. Schematic Diagram – 2CH. AU Board (2/3) .....	28	7-6. Back Panel Section .....	96
6-14. Schematic Diagram – 2CH. AU Board (3/3) .....	29	7-7. Chassis Section .....	97
6-15. Printed Wiring Board		7-8. Boards Section .....	98
– 2CH. AU Board (Component Side) – .....	30	7-9. HEAT SINK Section .....	99
6-16. Printed Wiring Board		7-10. D. AMP Board Section .....	100
– 2CH. AU Board (Conductor Side) – .....	31	<b>8. ELECTRICAL PARTS LIST</b> .....	101
6-17. Printed Wiring Board			
– MULTI-VIDEO Board (Component Side) – .....	32		
6-18. Printed Wiring Board			
– MULTI-VIDEO Board (Conductor Side) – .....	33		
6-19. Schematic Diagram – MULTI-VIDEO Board (1/4) – ...	34		
6-20. Schematic Diagram – MULTI-VIDEO Board (2/4) – ...	35		
6-21. Schematic Diagram – MULTI-VIDEO Board (3/4) – ...	36		
6-22. Schematic Diagram – MULTI-VIDEO Board (4/4) – ...	37		
6-23. Printed Wiring Board			
– UP CONVERT Board (STR-DA2000ES only) – .....	38		
6-24. Schematic Diagram			
– UP CONVERT Board (STR-DA2000ES only) – .....	39		
6-25. Printed Wiring Board – S-VIDEO Board – .....	40		
6-26. Schematic Diagram – S-VIDEO Board – .....	41		
6-27. Printed Wiring Board			
– DIGITAL Board (Component Side) – .....	42		
6-28. Printed Wiring Board			
– DIGITAL Board (Conductor Side) – .....	43		
6-29. Schematic Diagram – DIGITAL Board (1/8) – .....	44		
6-30. Schematic Diagram – DIGITAL Board (2/8) – .....	45		
6-31. Schematic Diagram – DIGITAL Board (3/8) – .....	46		

## SECTION 1 SERVICING NOTES

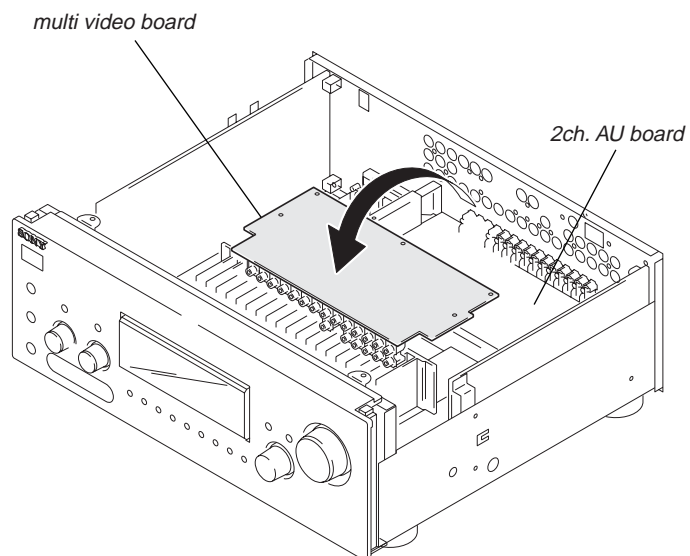
### • MODEL IDENTIFICATION

– Back Panel –



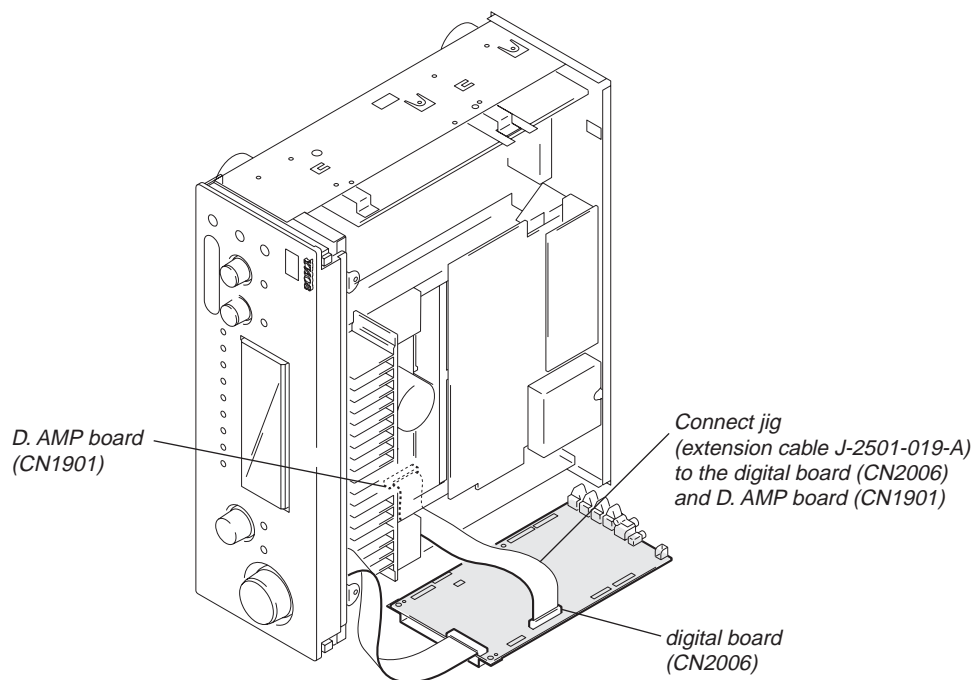
Model	PART No.
STR-DB2000: AEP and UK model	4-246-294-0□
STR-DB2000: Singapore and Malaysia model	4-246-294-1□
STR-DA2000ES: US model	4-246-294-3□
STR-DA2000ES: Canadian model	4-246-294-4□

### MULTI-VIDEO BOARD, 2CH. AU BOARD SERVICE POSITION



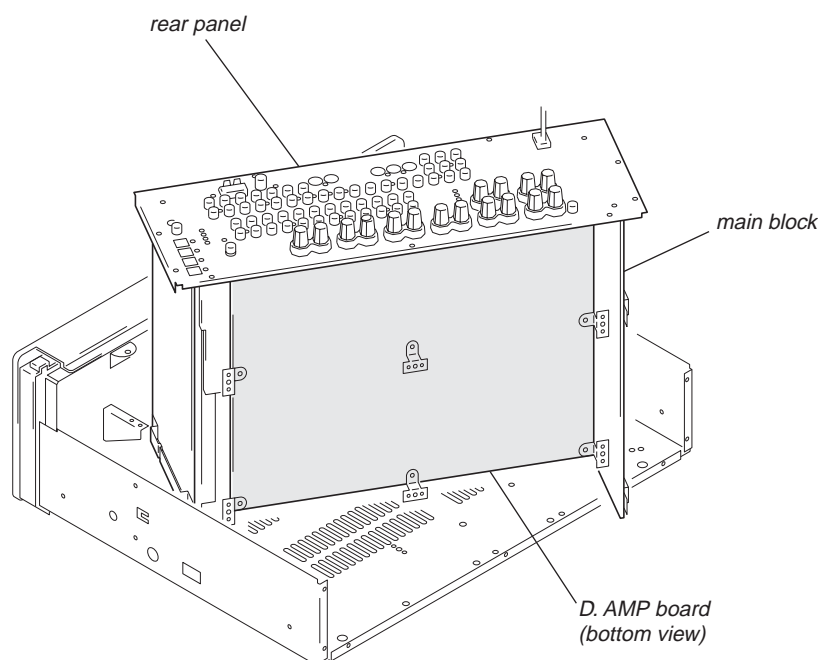
## DIGITAL BOARD SERVICE POSITION

In checking the digital board, prepare jig (extension cable J-2501-019-A: 1.25 mm Pitch, 25 cores, Length 300 mm).



## D. AMP BOARD SERVICE POSITION

- 1 Remove the case (Refer to page 10).
- 2 Remove the switching regulator (Refer to page 10)
- 3 Remove the main block (Refer to page 10).
- 4 Set the switching regulator to the main block.
- 5 Set the main block at the shown in the figure.



**ERROR MESSAGES**

If there is a malfunction, the display shows a code of two numbers and a message. You can check the condition of the system by message. Refer to the following table to solve the problem.

messages	check code	cause and response
DECODE ERROR	01	Appears when the signal which the receiver can not decode (example DSD-CD) is input when "DEC. PRI." in the CUSTOMIZE menu is set to "PCM". Set to "AUTO".
PROTECTOR	11	Irregular current output to the speakers. Turn off the receiver and check the speaker connection. Then turn on the power again. Becomes this display, When short current flowed with breakage of the power MOS, or when detection resistor becomes open in connection with it.
PROTECTOR	12	The amplifier section is overheated. Turn off the receiver and check that the ventilation hole is not covered. Leave the receiver for a while and turn on the power again.
PROTECTOR	13	The power supply section is overheated. Turn off the receiver and check that the ventilation hole is not covered. leave the receiver for a while and turn on the power again.
PROTECTOR	21	DC between speaker terminal is detected (abnormalities such as DSD 0DATA and signal clip can be considered). Turn off the receiver and check the speaker connection. Then turn on the power again.
PROTECTOR	22	Two defects are considered, when current detection of a switching power supply operated by the super fluous speaker, +B power supply shut down or when the power MOS broke and +B line short. Turn off the receiver and check the speaker connection. Then turn on the power again.

This section is extracted from instruction manual.

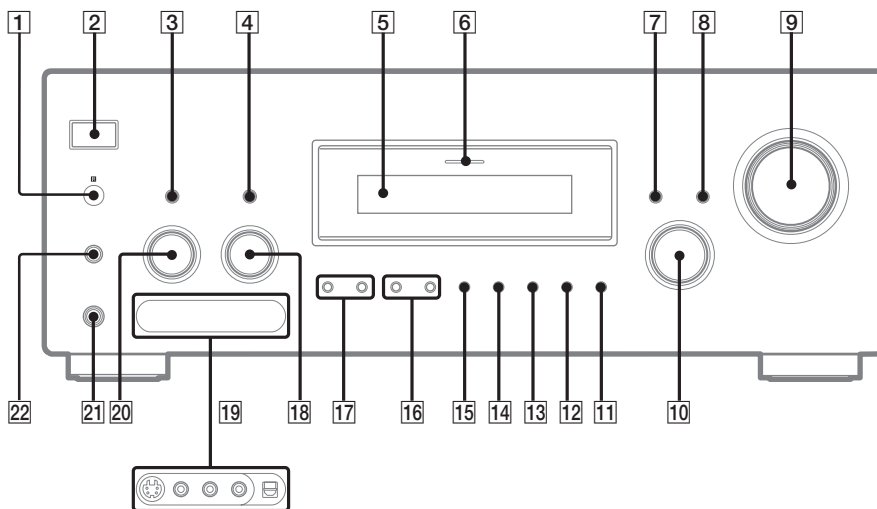
LOCATION OF CONTROLS

– Front Panel –

Main unit

ALPHABETICAL ORDER

- A.F.D. 13
- DISPLAY 7
- Display 5
- INPUT MODE 8
- INPUT SELECTOR 10
- IR receptor 1
- MAIN MENU 3
- MASTER VOLUME +/- 9
- MEMORY/ENTER 4
- MENU 20
- MOVIE 12
- MULTI CHANNEL DECODING indicator 6
- MUSIC 11
- PHONES jack 21
- PRESET TUNING +/- 17
- SPEAKERS 22
- SURR BACK DECODING 15
- TUNING +/- 16
- VIDEO 3 INPUT jacks 19



NUMBERS AND SYMBOLS

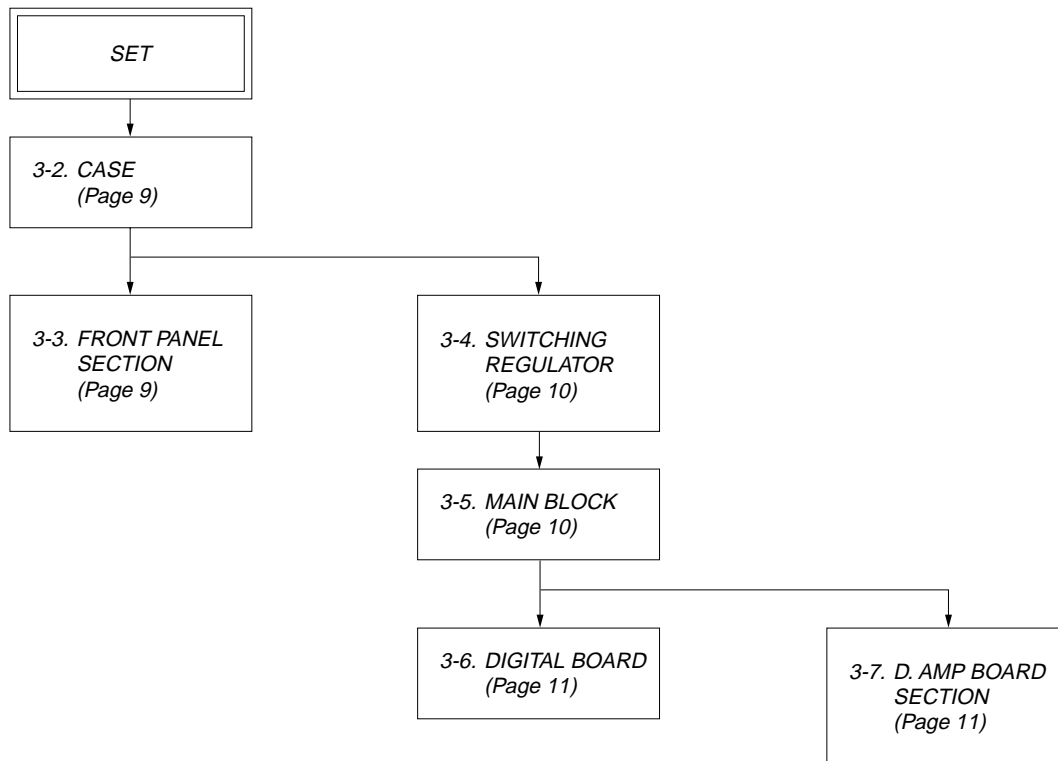
- 2CH 14
- +/- 18
- I/⏻ (power) 2



## SECTION 3 DISASSEMBLY

- This set can be disassembled in the order shown below.

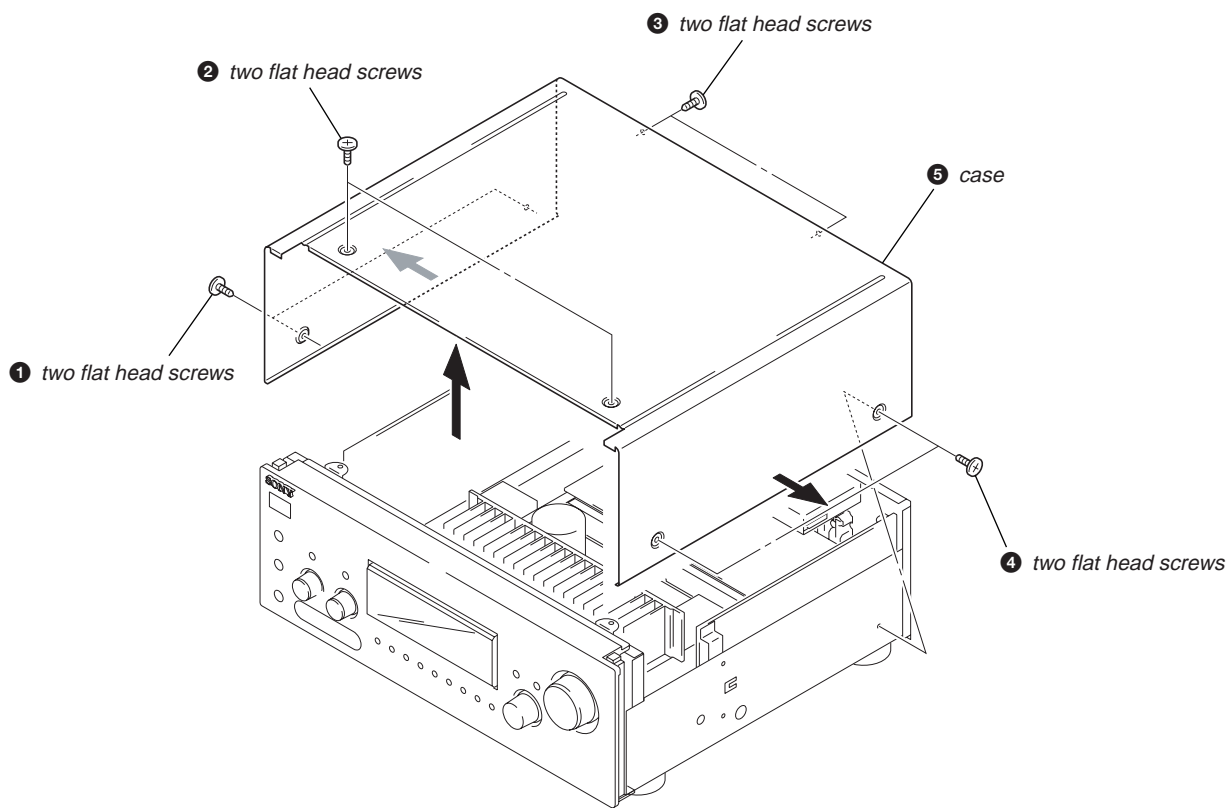
### 3-1. DISASSEMBLY FLOW



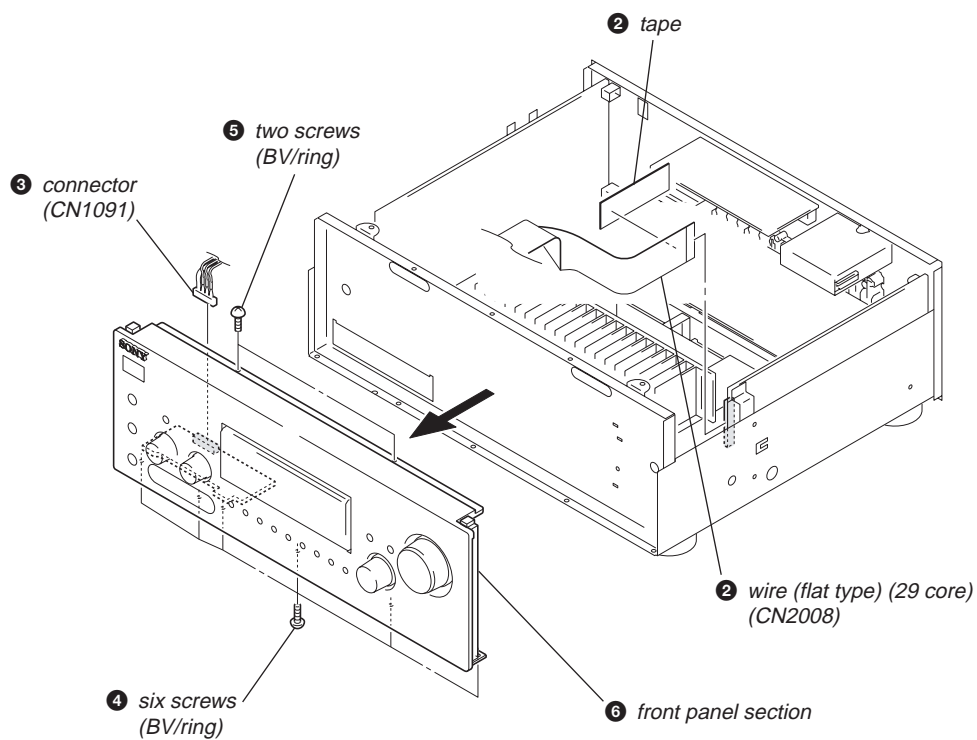
# STR-DA2000ES/DB2000

**Note:** Follow the disassembly procedure in the numerical order given.

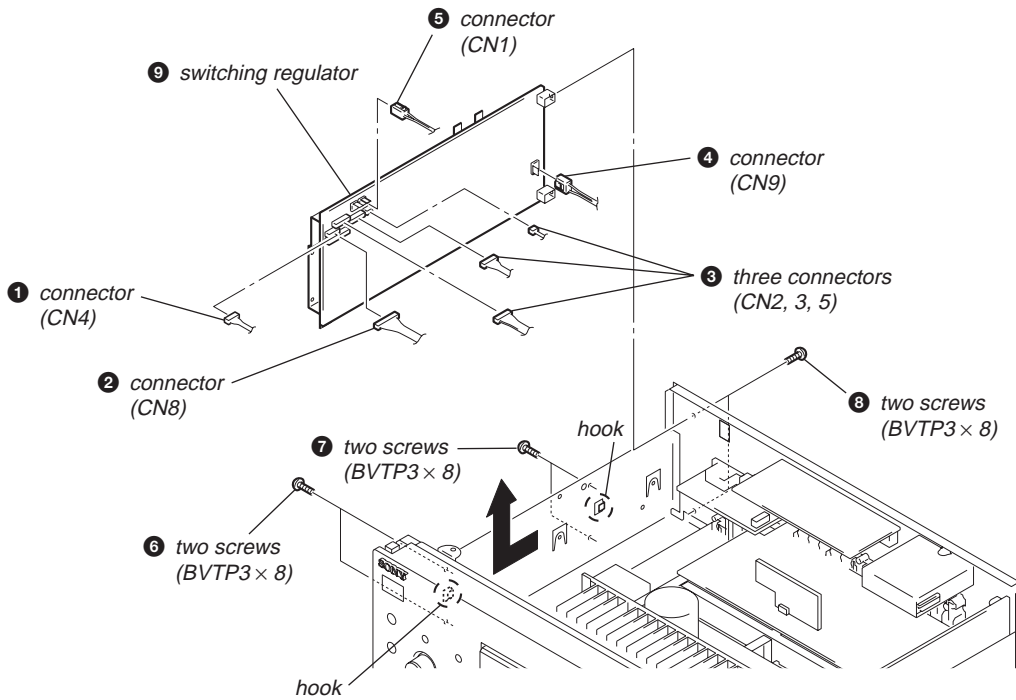
## 3-2. CASE



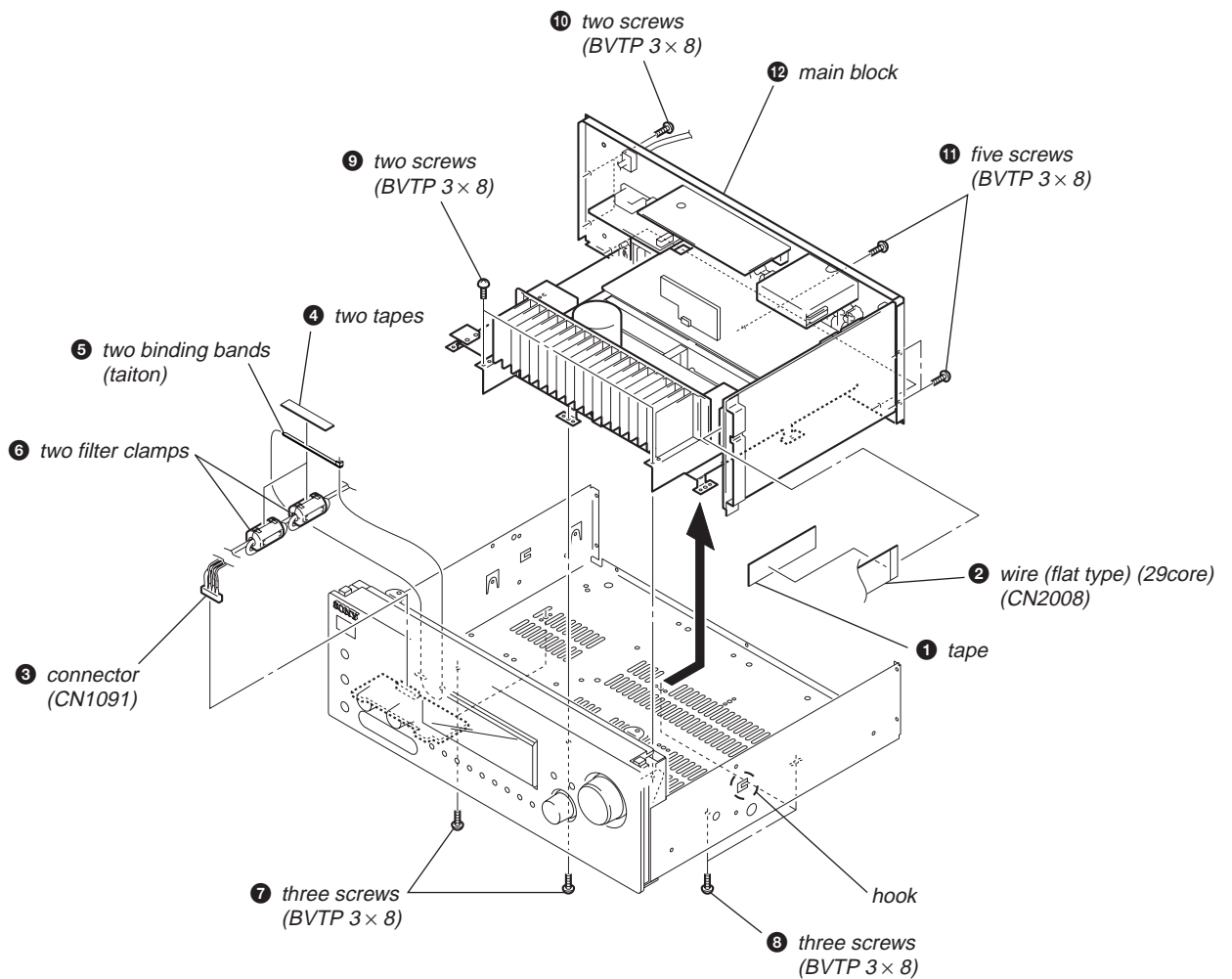
## 3-3. FRONT PANEL SECTION



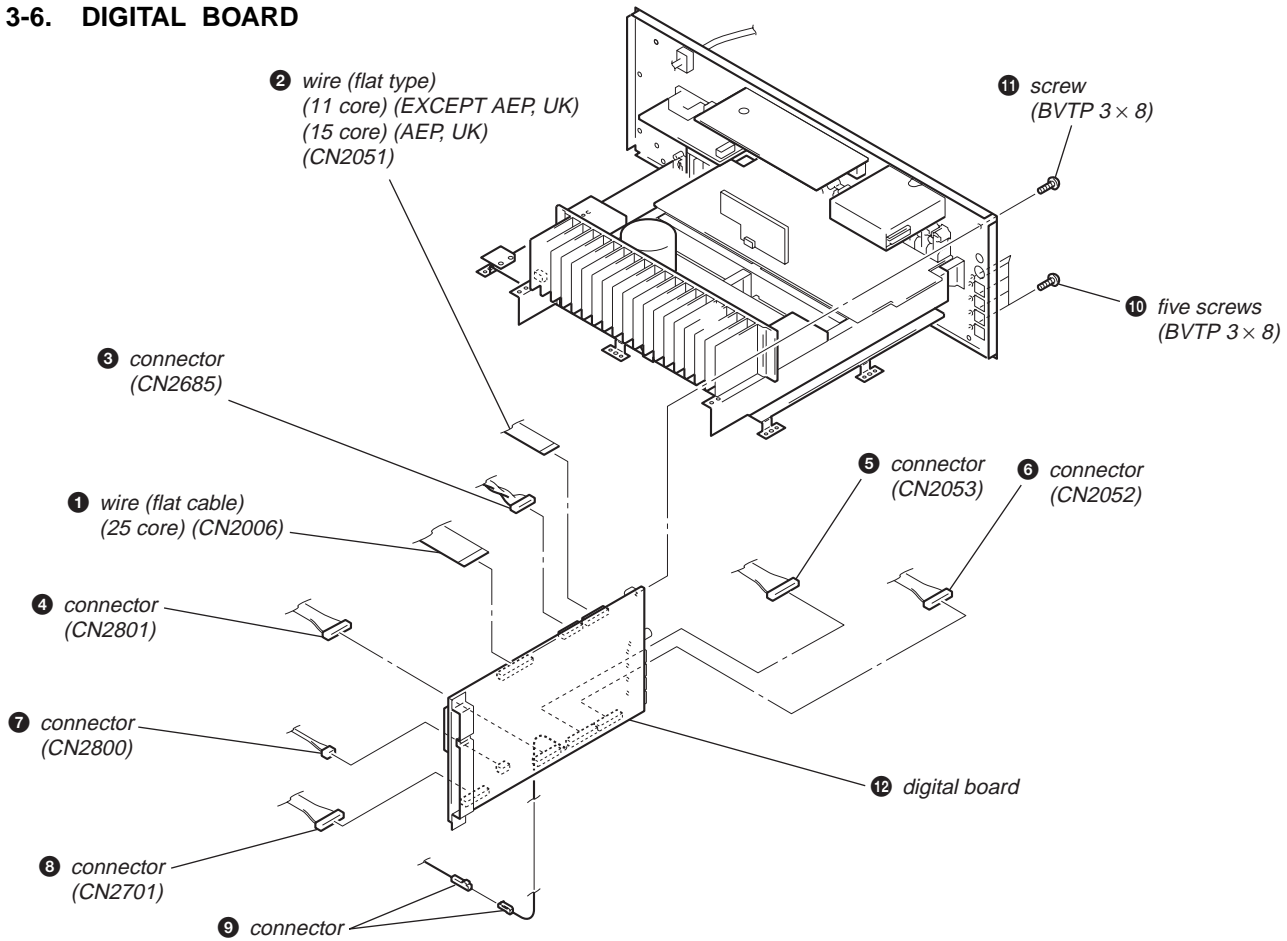
3-4. SWITCHING REGULATOR



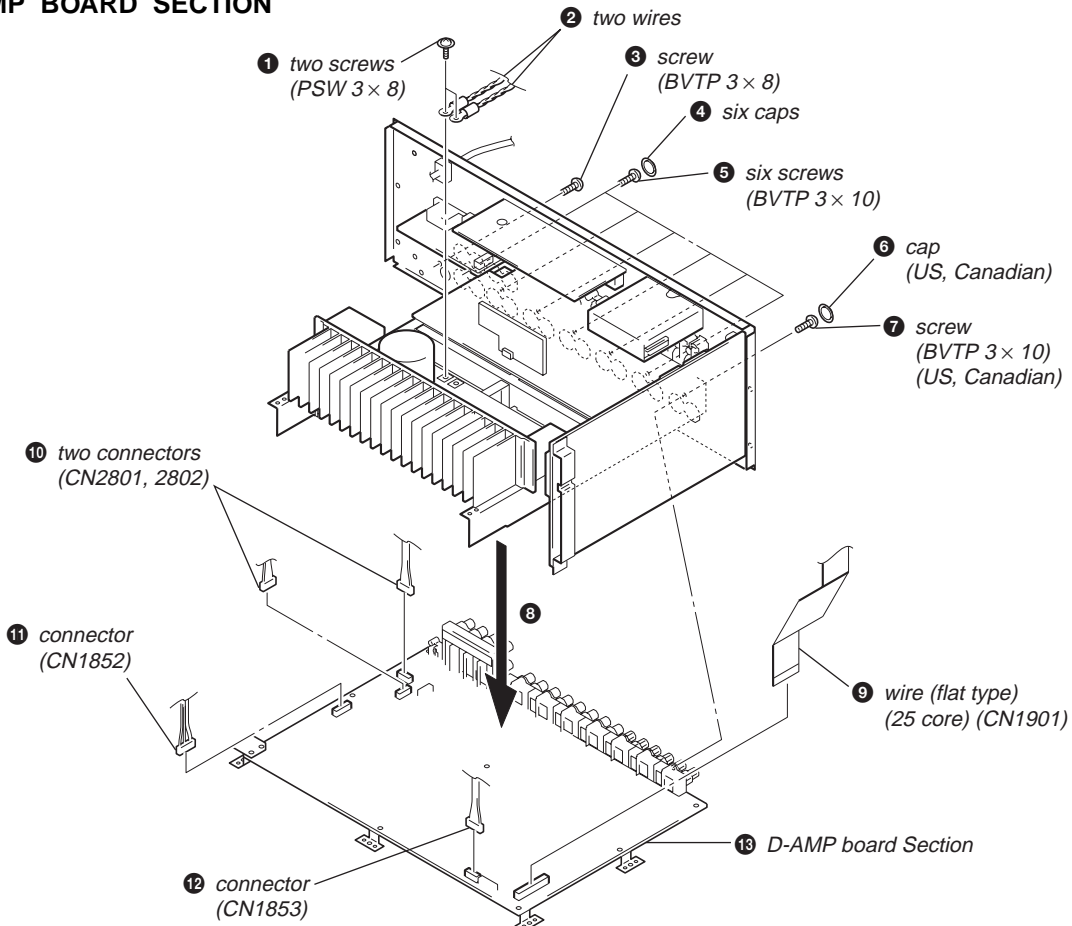
3-5. MAIN BLOCK



3-6. DIGITAL BOARD



3-7. D. AMP BOARD SECTION



## SECTION 4 TEST MODE

### TUNER FACTORY PRESET MODE

All preset contents are reset to the default setting.

#### Procedure:

1. While pressing the **[SURR BACK DECODING]** and **[PRE-SET TUNING -]** buttons, press the **[I/⏻]** button to turn on the main power.
2. The message "FACTORY PRESET" appears and the present contents are reset to the default values.

### MEMORY CLEARING MODE

All preset contents are cleared when this mode is activated. Use this mode before returning the product to clients upon completion of repair.

#### Procedure:

1. While pressing the **[INPUT MODE]** and **[MEMORY/ENTER]** buttons, press the **[I/⏻]** button to turn on the main power.
2. The message "MEMORY CLEARING" appears and the memories are reset to the default values.
3. When done, the message "MEMORY CLEARED!" appears.

### SWAP MODE

#### Procedure:

1. While pressing the **[2CH]** and **[MEMORY/ENTER]** buttons, press the **[I/⏻]** button to turn on the main power.
2. The message "SWAP MODE !" appears.
3. Press the **[DISPLAY]** button.
4. The message "-27.0dB" appears. (Volume level is "MID")
5. Press the **[DISPLAY]** button once again.
6. The message "+5.0dB" appears. (Volume level is "MAX")
7. Press the **[DISPLAY]** button once again.
8. The message "-00dB" appears. (Volume level is "MIN")

### FLUORESCENT INDICATOR TUBE PATTERN CHECK MODE

All fluorescent segments are tested. When this test is activated, all segments turn on at the same time, then each segment turns on one after another.

#### Procedure:

1. While pressing the **[DISPLAY]** and **[MEMORY/ENTER]** buttons, press the **[I/⏻]** button to turn on the main power.
2. All segments and **[MULTI CHANNEL DECODING]** indicator LED turn on.

### TUNER AM STEP CHANGE (9 kHz/10 kHz) MODE (STR-DA2000ES only)

Either the 9 kHz step or 10 kHz step can be selected for the AM channel step.

#### Procedure:

1. Press the **[I/⏻]** button to turn on the main power.
2. Turn the **[INPUT SELECTOR]** dial to select the "AM"
3. Press the **[I/⏻]** button to turn off the main power.
4. While pressing the **[PRESET TUNING +]** or **[TUNING +]** button, press the **[I/⏻]** button to turn on the main power.
5. Either the message "9 K STEP" or "10 K STEP" appears. Select the desired step.

### TUNER AUTOBETICAL SELECT MODE (STR-DB2000: AEP and UK models only)

#### Procedure:

1. While pressing the **[MEMORY/ENTER]** button, press the **[I/⏻]** button to turn on the main power.
2. The message "Autobetical" appears and scans and stores all the FM and FM RDS stations in the broadcast area.
3. When done, the message "Finished" appears.

### SOUND FIELD INITIALIZE MODE

The preset sound field is cleared when this mode is activated. Use this mode before returning the product to clients upon completion of repair.

#### Procedure:

1. While pressing the **[MUSIC]** button, press the **[I/⏻]** button to turn on the main power.
2. The message "S. F. Initialize" appears and initialization is performed.

### COMMAND MODE CHANGE MODE

The command mode of the remote-commander which this set receives can be changed.

#### Procedure:

1. While pressing the **[INPUT MODE]** button, press the **[I/⏻]** button to turn on the main power.
2. Either the message "COMMAND MODE [AV1]" or "COMMAND MODE [AV2]" appears. Select the desired mode.

### SF LOCK ON/OFF CHANGE MODE

#### Procedure:

1. While pressing the **[MUSIC]** and **[MEMORY/CLEAR]** buttons, press the **[I/⏻]** button to turn on the main power.
2. Either the message "SF LOCK [OFF]" or "SF LOCK [ON]" appears.

### SPECIAL MENU MODE

#### Procedure:

1. Press the **[I/⏻]** button to turn on the main power, then while pressing the **[MEMORY/ENTER]** button, press the **[MUSIC]**, **[INPUT MODE]**, **[MOVIE]** button in order.
2. The message "SPECIALIZED!" appears.
3. Each time the **[MENU]** dial is turned clockwise, the item is switched in order as follows.

Items	Display	Remark
Protector on/off	PROTECTOR [XXX]	XXX: ON or OFF (switching with $\left[ \frac{-}{+} \right]$ dial)
Model version	A2B9 **** vX.XX	****: destination, X.XX: main microprocessor software version
Sub micom version	Sub Micom vX.XX	X.XX: sub microprocessor software version
Model/Dist change	[A2B9 ****]XXXX	****: destination, XXXX: auto or fix (switching with $\left[ \frac{-}{+} \right]$ dial)
FL fonts check	FONT 0x** =[X]	** : 20 to FE, X: character (switching with $\left[ \frac{-}{+} \right]$ dial)
FL display check	ALL ON	Each time $\left[ \text{DISPLAY} \right]$ button to change as follows. all on $\rightarrow$ test pattern 1 $\rightarrow$ test pattern 2 $\rightarrow$ all off $\rightarrow$ all on
SWAP control	SWAP. XXXXXXXXXXXX	Switching with $\left[ \frac{-}{+} \right]$ dial
Decoder SI mode change	D1 SI= [***]XXXX	***: DIR or A/D, XXXX: AUTO or FIX (switching with $\left[ \frac{-}{+} \right]$ dial)
DSP IRAM	I[*****]=[XXXX]	The umbers which can be changed will blinks To select the digit: Press the $\left[ \text{TUNING} + \right]$ or $\left[ \text{TUNING} - \right]$ button To select the number when the umbers (XXXX) blinks: Rotate the $\left[ \frac{-}{+} \right]$ dial To perform the write when the umbers (XXXX) blinks: Press the $\left[ \text{MEMORY/ENTER} \right]$ button *****: address (50000 to 51FFF), XXXX: data (0000 to FFFF)
DSP IRAM	#*****=XXXXXXXX	The umbers which can be changed will blinks To select the digit: Press the $\left[ \text{TUNING} + \right]$ or $\left[ \text{TUNING} - \right]$ button To select the A (ARAM) or B (BRAM) when the umbers (***** ) blinks: Rotate the $\left[ \frac{-}{+} \right]$ dial To select the number when the umbers (XXXXXXXX) blinks: Rotate the $\left[ \frac{-}{+} \right]$ dial To perform the write when the umbers (XXXXXXXX) blinks: Press the $\left[ \text{MEMORY/ENTER} \right]$ button #: A or B, *****: address (10000 to 21E28), XXXXXXXX: data (0000 to FFFFFFFF)
Bass management	BS.MAN.[***]XX	***: AUTO, OFF or 02 to 29, XX: 00 to 28 (switching with $\left[ \frac{-}{+} \right]$ dial)
DSP boot error	DSP BT ERR :XXX	XXX: 0 to 255
DSP write 1 error	DSP WT1 ERR:XXX	XXX: DSP write error (0 to 225)
DSP write 2 error	DSP WT2 ERR:XXX	XXX: DSP write error (0 to 225)
DSP write 3 error	DSP WT3 ERR:XXX	XXX: DSP write error (0 to 225)
DSP read 1 error	DSP RD1 ERR:XXX	XXX: DSP read error (0 to 225)
DSP read 2 error	DSP RD2 ERR:XXX	XXX: DSP read error (0 to 225)
DSP read 3 error	DSP RD3 ERR:XXX	XXX: DSP read error (0 to 225)
EEPROM data check	EEPROM[****] XX	****: EEPROM address (0000 to 0FFF), XX: EEPROM data 00 to FF (switching with $\left[ \frac{-}{+} \right]$ dial)
Super reset	SUPER RESET [XXX]	Not used for the servicing. When EEPROM initialization is required, perform the memory clearing mode (see page 12)
DSP soft version	DSP Ver: vXXX	XXX: DSP version
DSP HALT	DSP HALT [XXX]	XXX: ON or OFF (switching with $\left[ \frac{-}{+} \right]$ dial)
E-vol data FL/FR	FL **** FR XXXX	****: Front L-ch volume value (0000 to 0FFF), XXXX: Front R-ch volume value (0000 to 0FFF)
E-vol data SL/SR	SL **** SR XXXX	****: Surround L-ch volume value (0000 to 0FFF), XXXX: Surround R-ch volume value (0000 to 0FFF)
E-vol data CT/SW	CT **** SW XXXX	****: Center volume value (0000 to 0FFF), XXXX: Subwoofer volume value (0000 to 0FFF)
E-vol data BL/BR	BL **** BR XXXX	****: Surround back L-ch volume value (0000 to 0FFF), XXXX: Surround back R-ch volume value (0000 to 0FFF)
Sub micom error count	Scom error XXX	XXX: Communication error time with sub microprocessor (0 to 225)

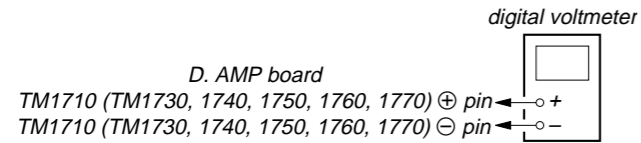
## SECTION 5 ELECTRICAL ADJUSTMENTS

### DC OFFSET ADJUSTMENT

**Condition:**

function: MULTI CH 2  
input signal: no signal (no load)  
volume: 0 dB

**Connection**



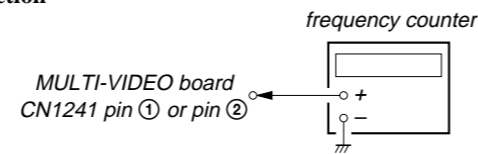
**Procedure:**

1. Connect a digital voltmeter to the TM1710 (TM1730, 1740, 1750, 1760, 1770) on the D. AMP board.
2. Press the  $\text{I/}\text{O}$  button to turn on the main power.
3. Adjust the RV111 (141, 161, 181, 211, 241, 281) on the MULTI-VIDEO board so that the digital voltmeter reading is  $\pm 20$  mV.

**Adjustment and Connection Location:** see page 15

### OSD ADJUSTMENT

**Connection**



**Procedure:**

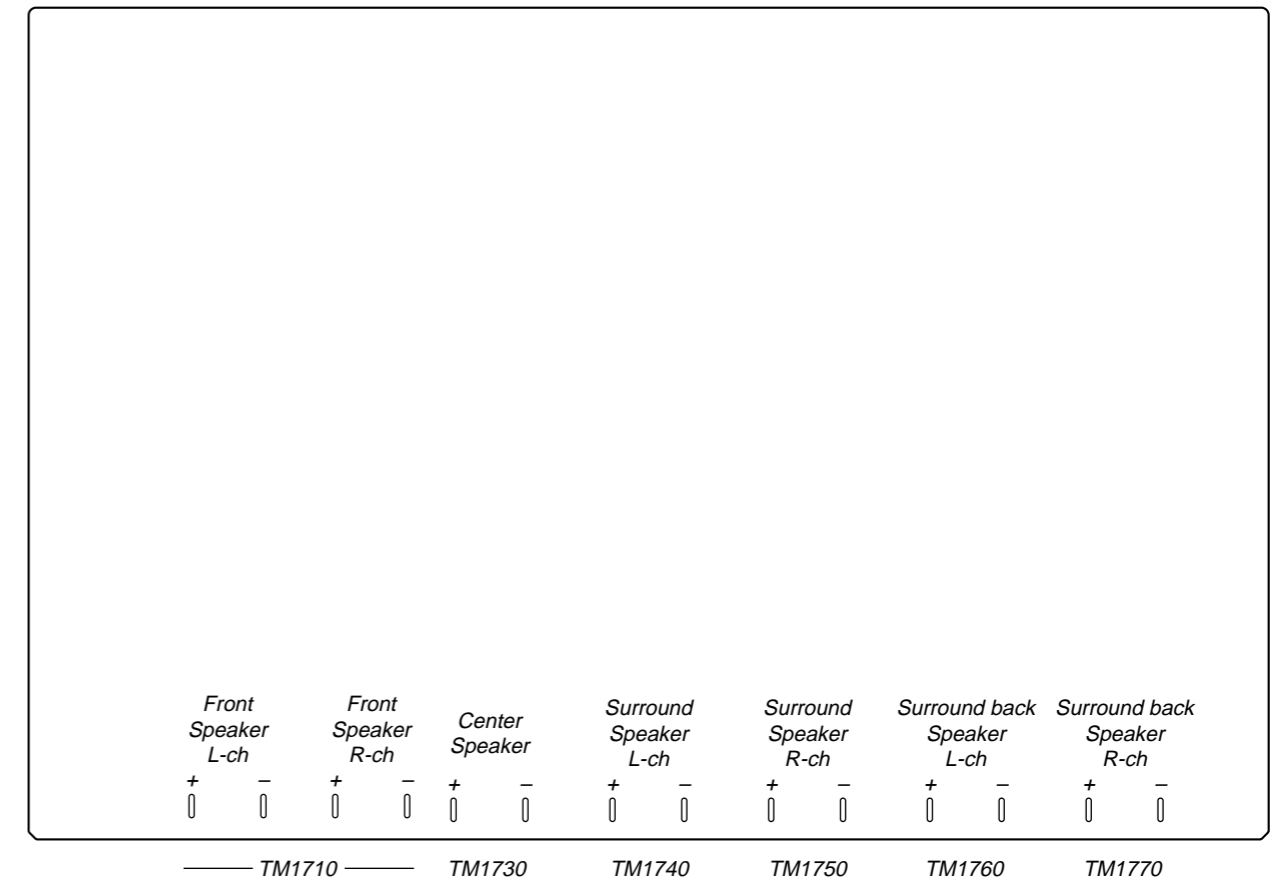
1. Short the CN1241 pin 4 on the MULTI-VIDEO board to the GND.
2. Connect a frequency counter to the CN1241 pin 2 on the MULTI-VIDEO board.
3. Press the  $\text{I/}\text{O}$  button to turn on the main power.
4. Press the **MAIN MENU** button to display "CUSTOMIZE".
5. Turn the **MENU** jog clockwise to display "OSD COLOR [NTSC]". If "OSD COLOR [PAL]" is displayed, turn the  $\text{-/+}$  jog counterclockwise.
6. Turn the **MENU** jog clockwise to display "OSD H.POSI [X]".
7. Adjust the CT1261 (STR-DA2000ES) or CT1271 (STR-DB2000) so that the frequency counter reading is 3.57954 MHz.
8. Turn the **MENU** jog counterclockwise to display "OSD COLOR [NTSC]".
9. Turn the  $\text{-/+}$  jog clockwise to display "OSD COLOR [PAL]".
10. Turn the **MENU** jog clockwise to display "OSD H.POSI [X]".
11. Adjust the CT1272 so that the frequency counter reading is 4.43361 MHz.
12. Press the  $\text{I/}\text{O}$  button to turn off the main power.
13. Connect a frequency counter to the CN1241 pin 1 on the MULTI-VIDEO board.
14. Press the  $\text{I/}\text{O}$  button to turn on the main power.
15. Press the **MAIN MENU** button to display "CUSTOMIZE".
16. Turn the **MENU** jog clockwise to display "OSD V.POSI [X]".
17. Adjust the CT1241 so that the frequency counter reading is 7.20 MHz.

**Note:** The steps 5 and 8 to 11 should be performed to STR-DB2000.

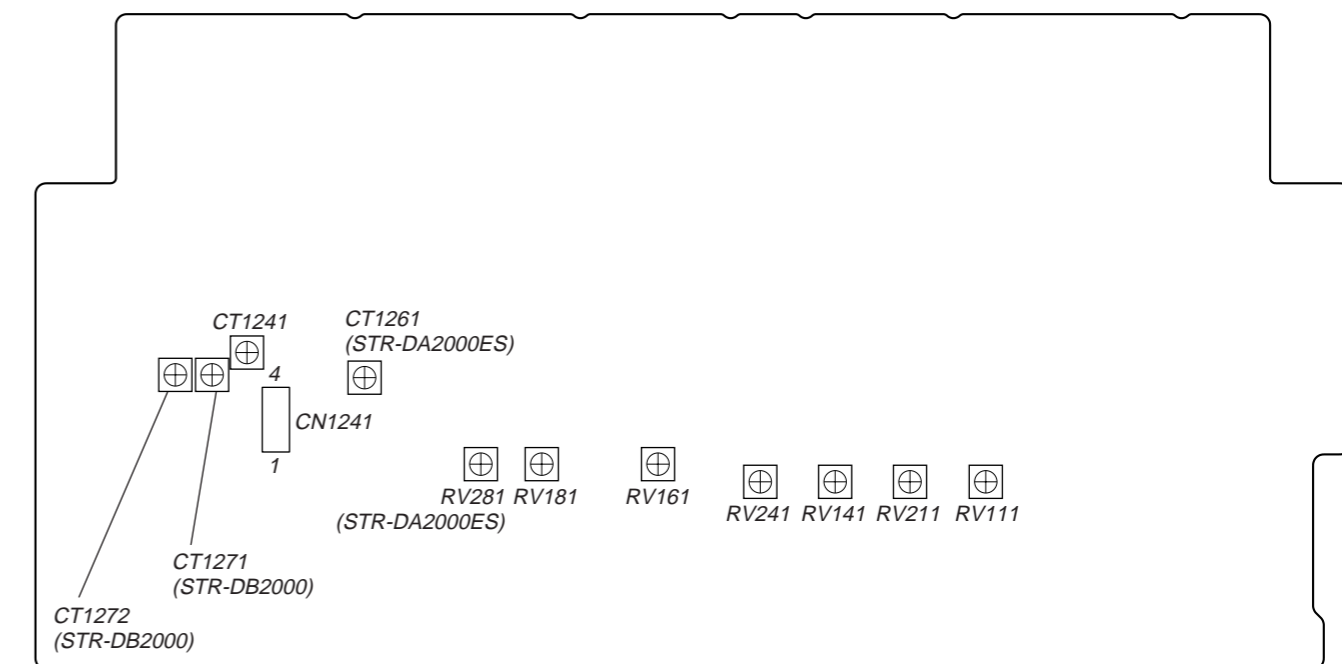
**Adjustment and Connection Location:** see page 15

### Adjustment and Connection Location:

#### - D. AMP BOARD (Conductor Side) -

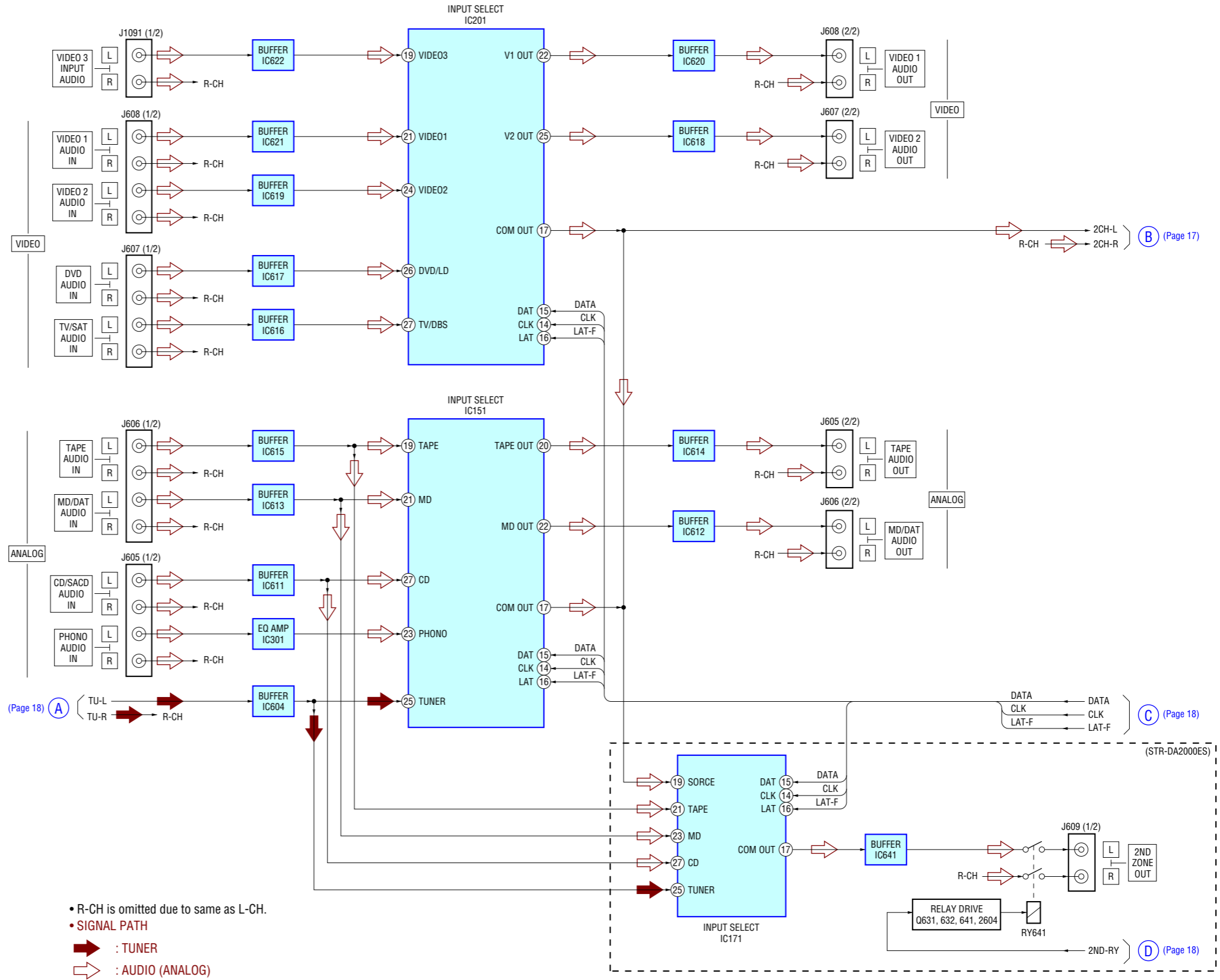


#### - MULTI-VIDEO Board - (Component Side)



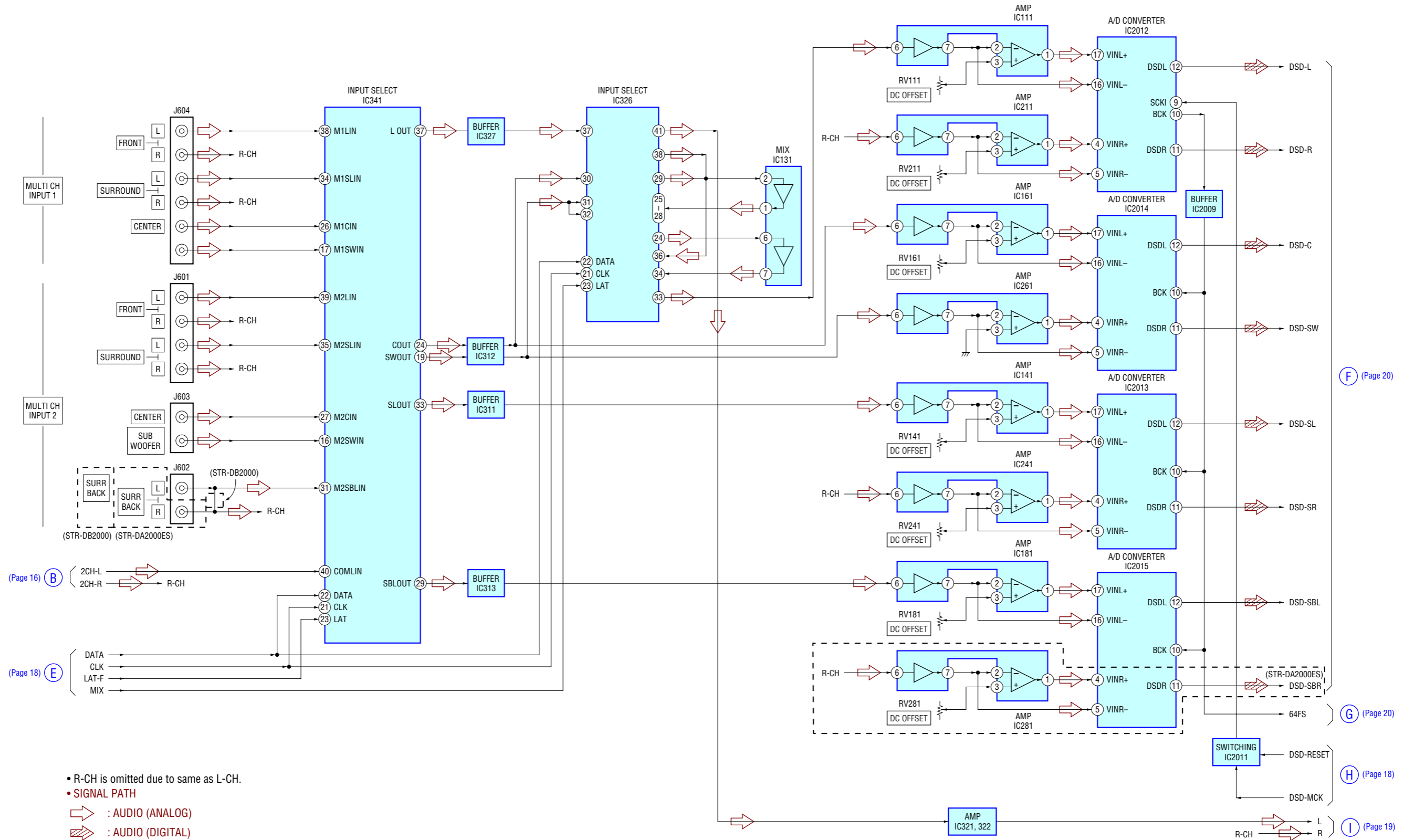
SECTION 6  
DIAGRAMS

6-1. BLOCK DIAGRAM – AUDIO (ANALOG) (1/2) Section –

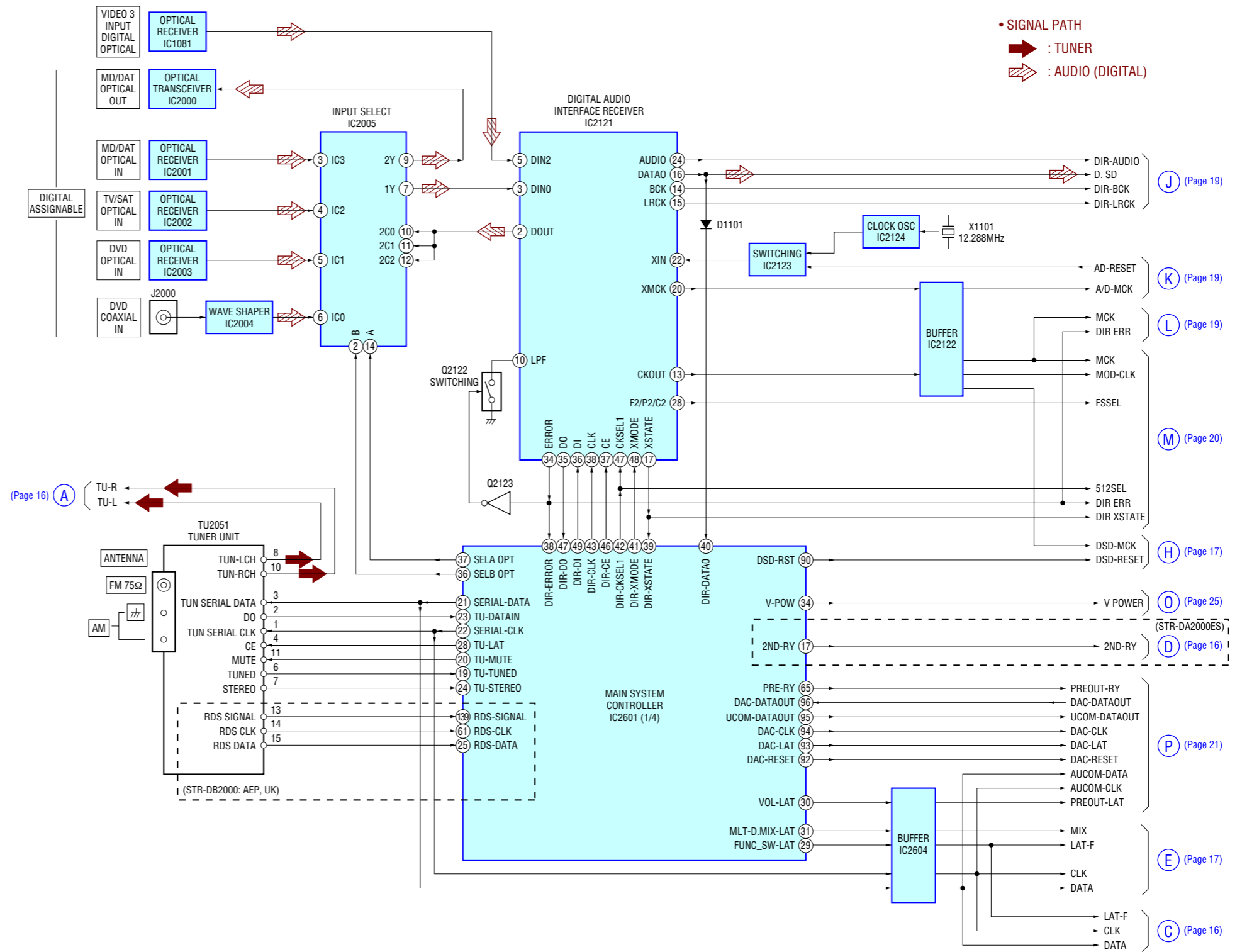




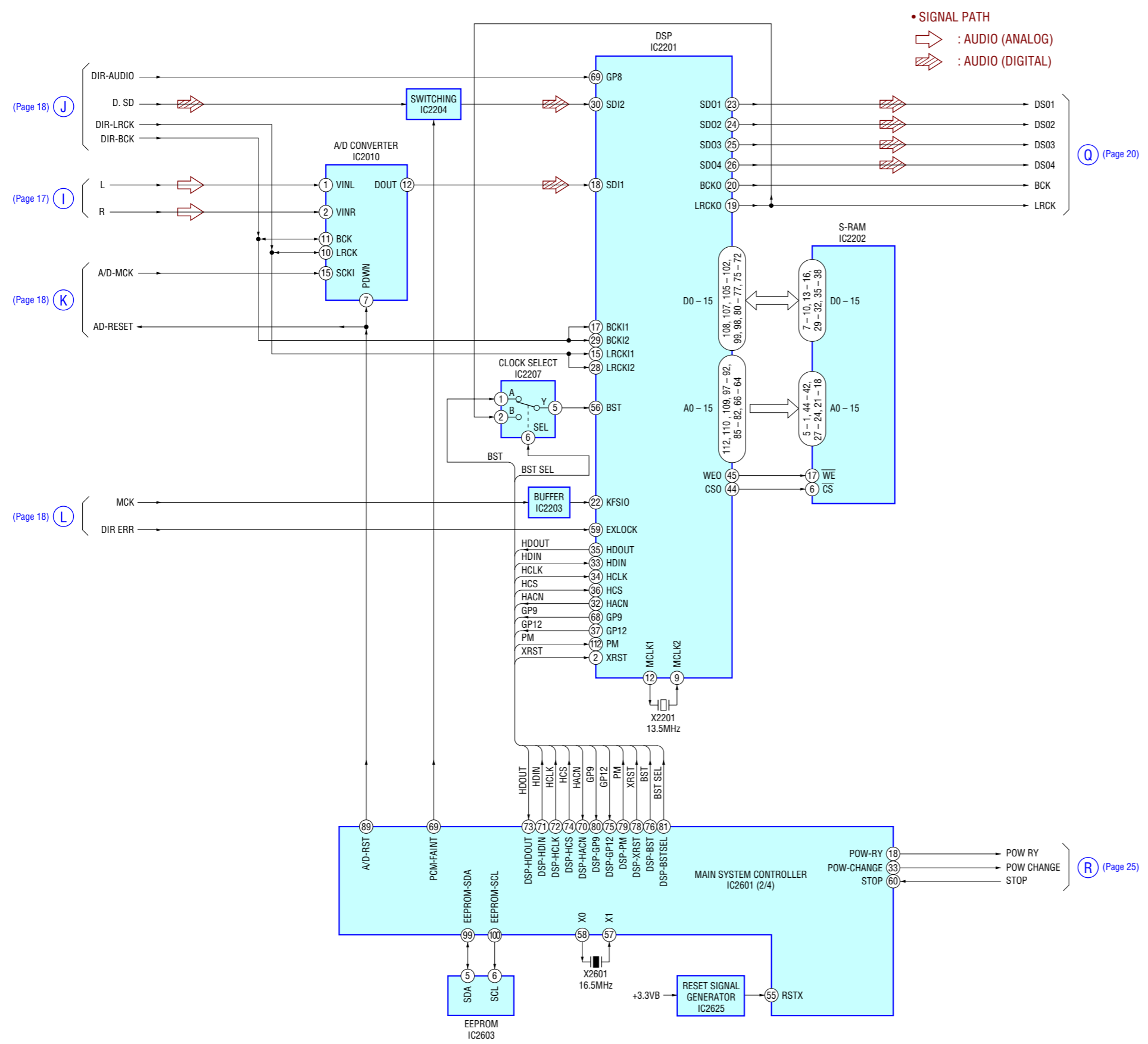
6-2. BLOCK DIAGRAM – AUDIO (ANALOG) (2/2) Section –



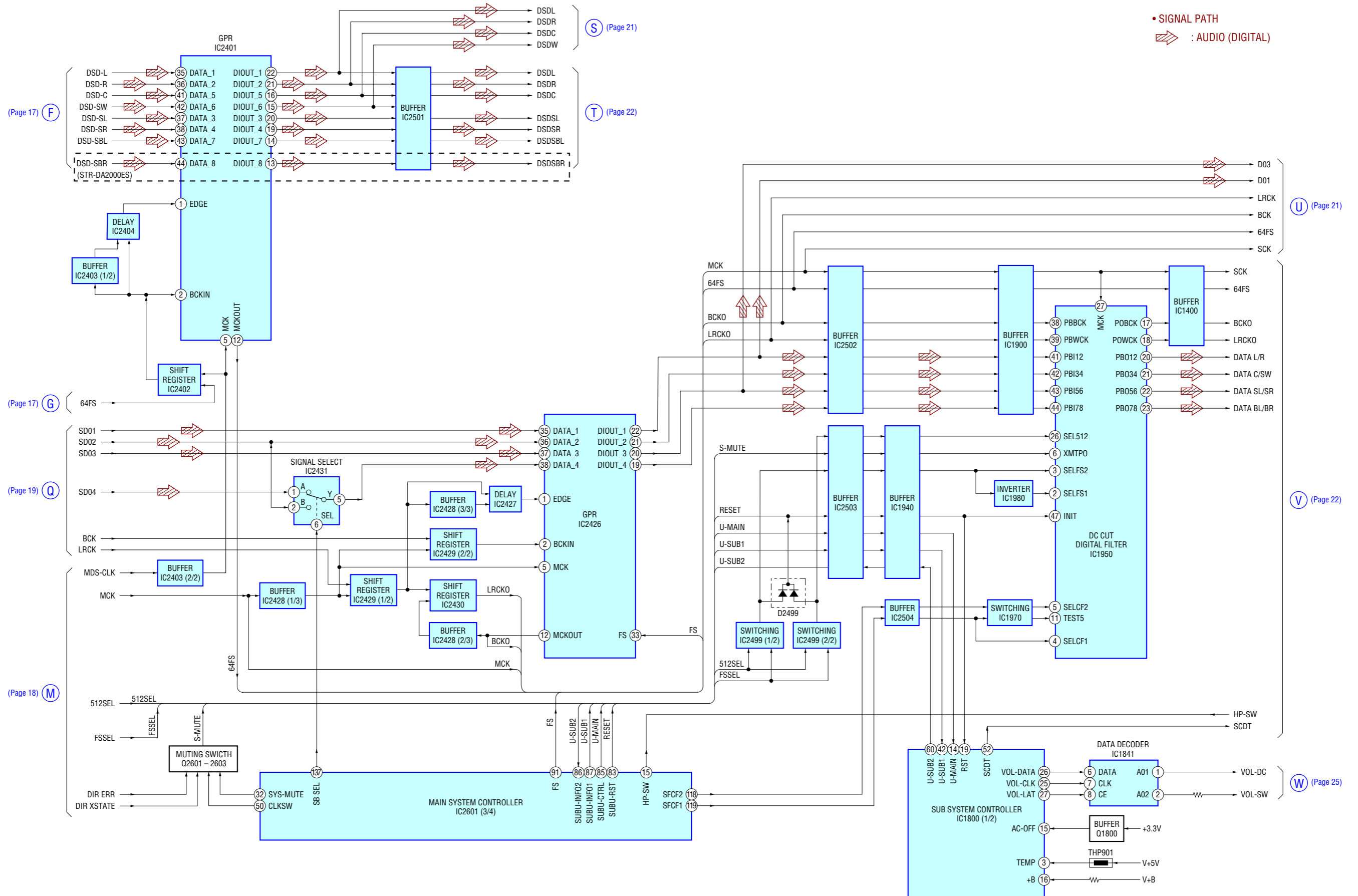
6-3. BLOCK DIAGRAM – AUDIO (DIGITAL) (1/3) Section –



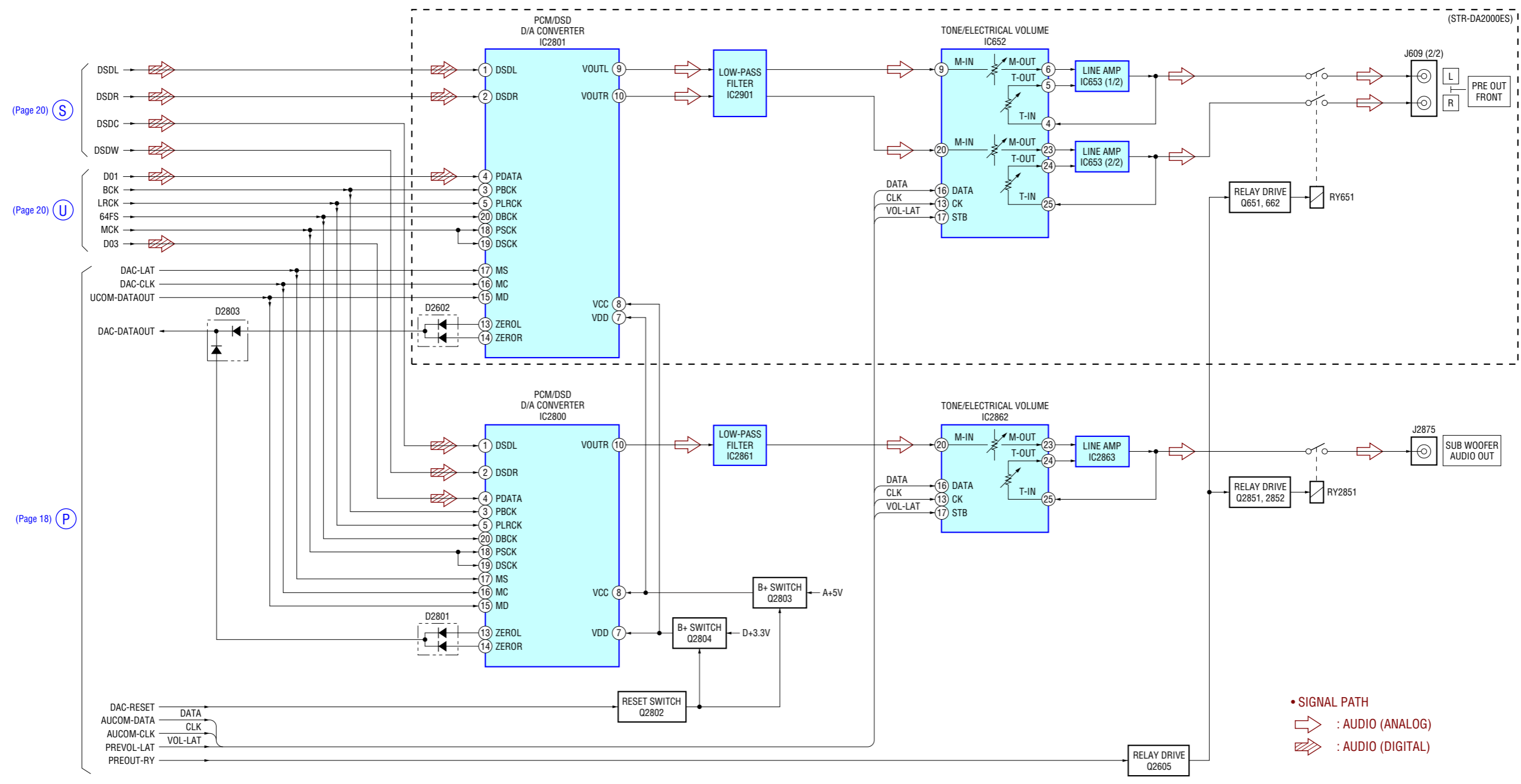
6-4. BLOCK DIAGRAM – AUDIO (DIGITAL) (2/3) Section –



6-5. BLOCK DIAGRAM – AUDIO (DIGITAL) (3/3) Section –

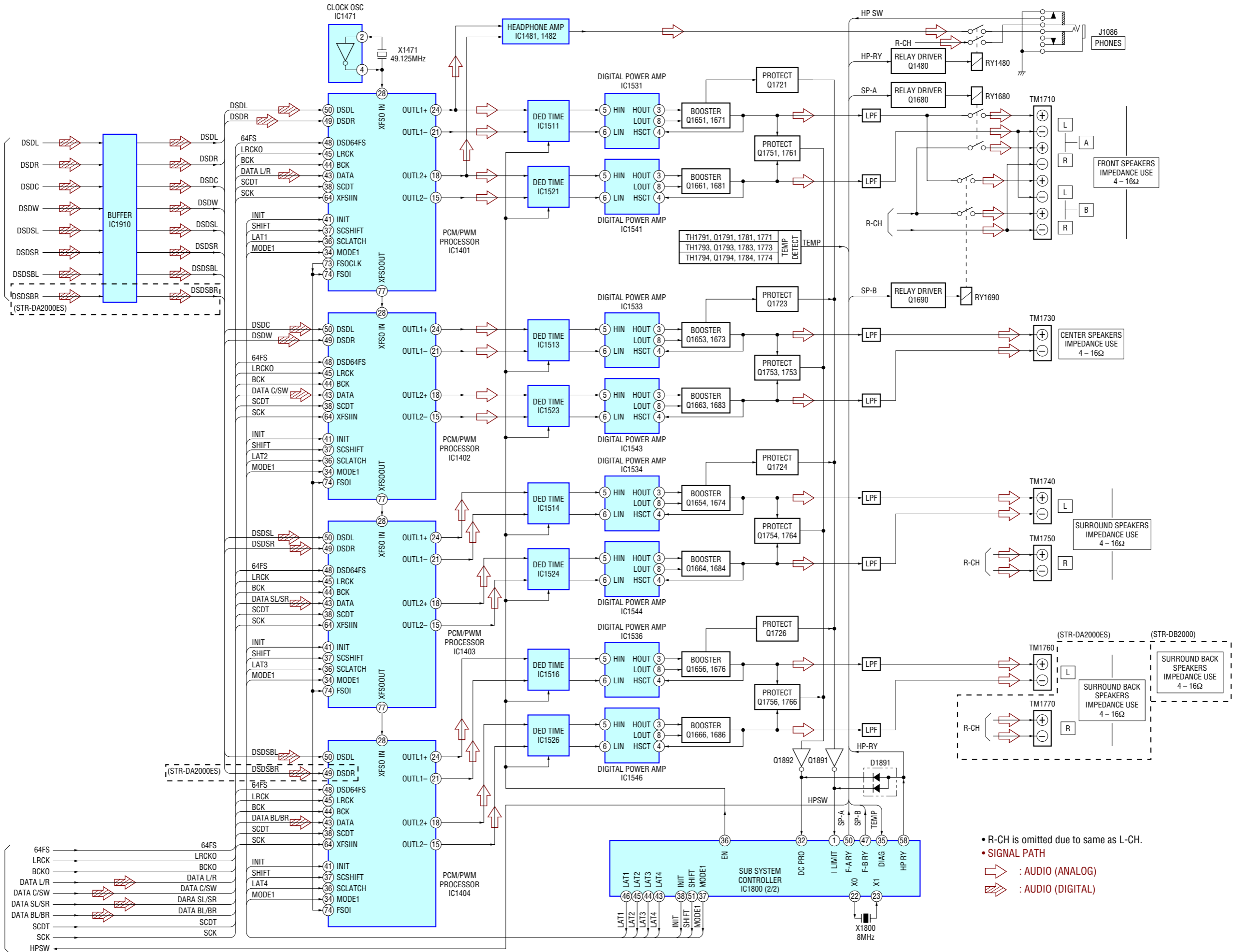


6-6. BLOCK DIAGRAM – PRE OUT Section –



6-7. BLOCK DIAGRAM – POWER AMP Section –

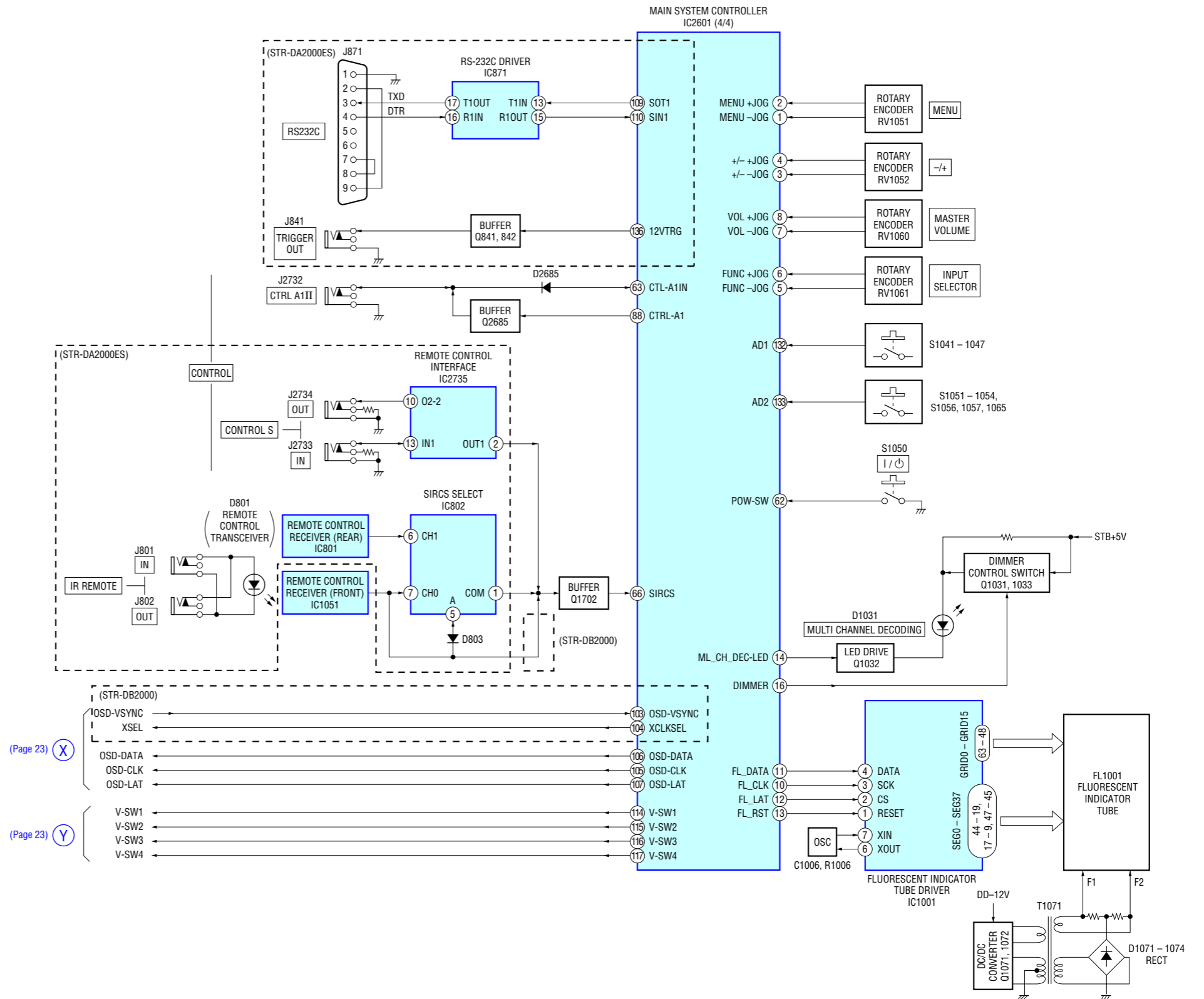
(Page 20) T



(Page 20) V



6-9. BLOCK DIAGRAM – PANEL Section –

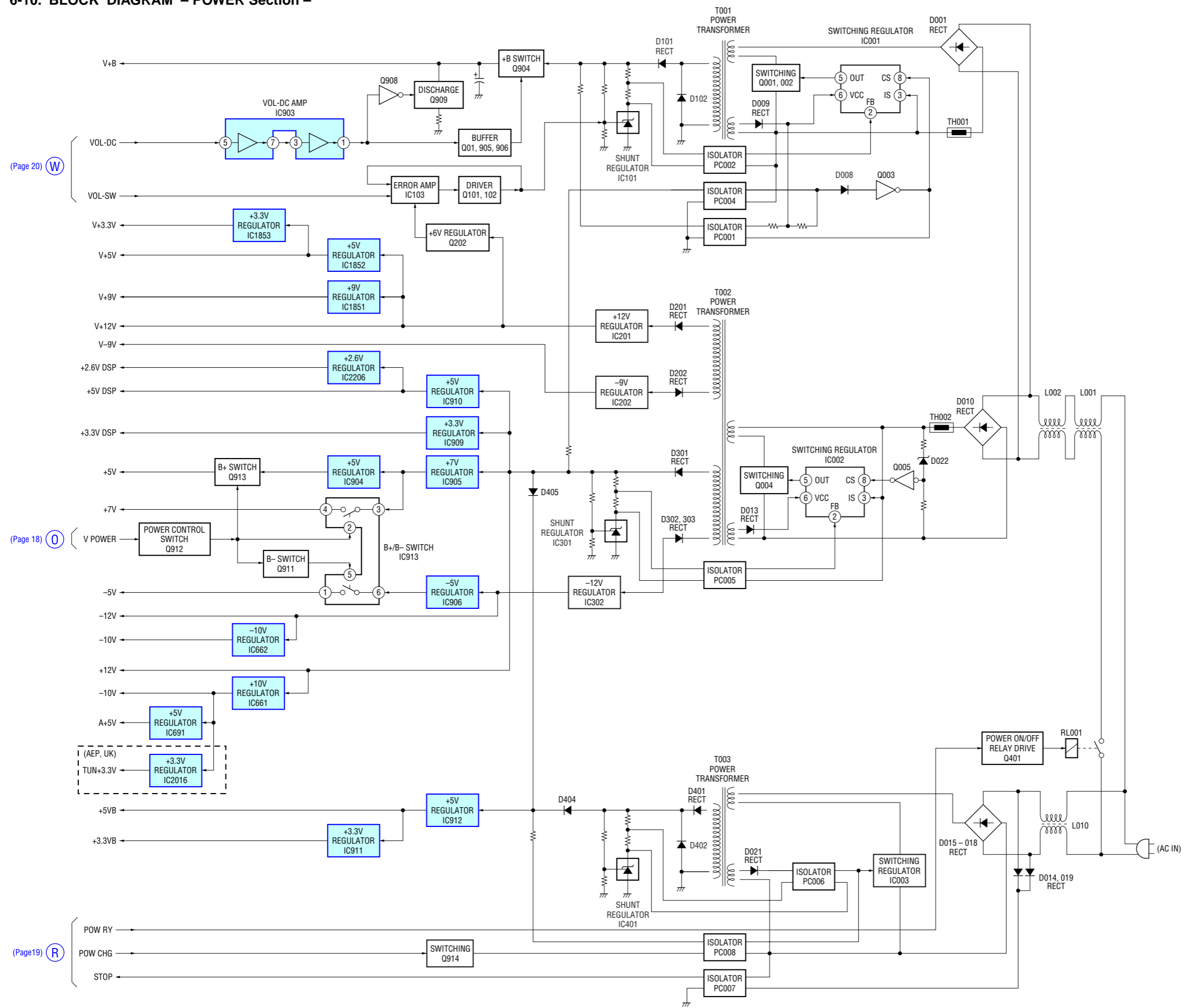


(Page 23) X

(Page 23) Y



6-10. BLOCK DIAGRAM – POWER Section –



(Page 20) W

(Page 18) O

(Page 19) R

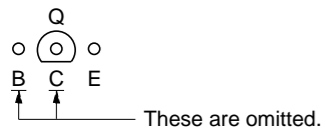
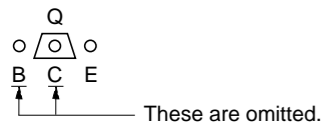
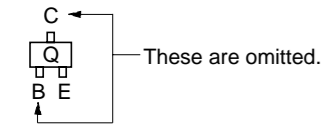
6-11. NOTE FOR PRINTED WIRING BOARDS AND SCHEMATIC DIAGRAMS

Note on Printed Wiring Board:

- : parts extracted from the component side.
- : parts extracted from the conductor side.
- : Through hole.
- △ : internal component.
- : parts mounted on the conductor side.
- : Pattern from the side which enables seeing. (The other layers' patterns are not indicated.)

Caution:  
 Pattern face side: Parts on the pattern face side seen from (Conductor Side) the pattern face are indicated.  
 Parts face side: Parts on the parts face side seen from (Component Side) the parts face are indicated.

Indication of transistor



DIGITAL and D. AMP boards are multi-layer printed board. However, the patterns of intermediate layers have not been included in this diagrams.

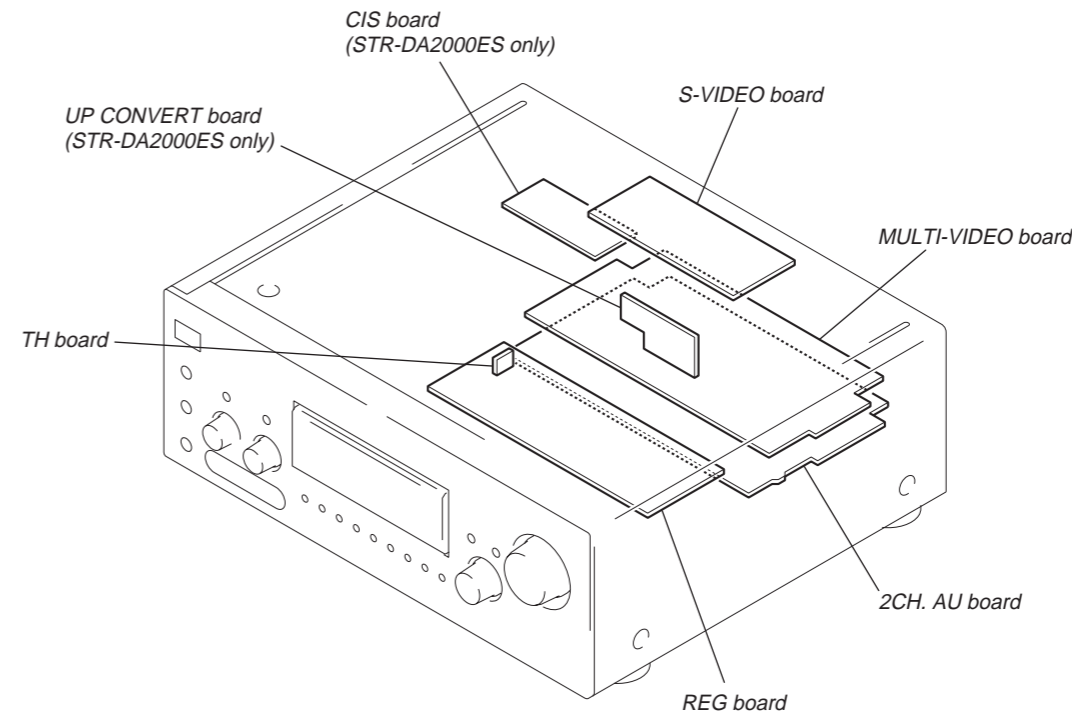
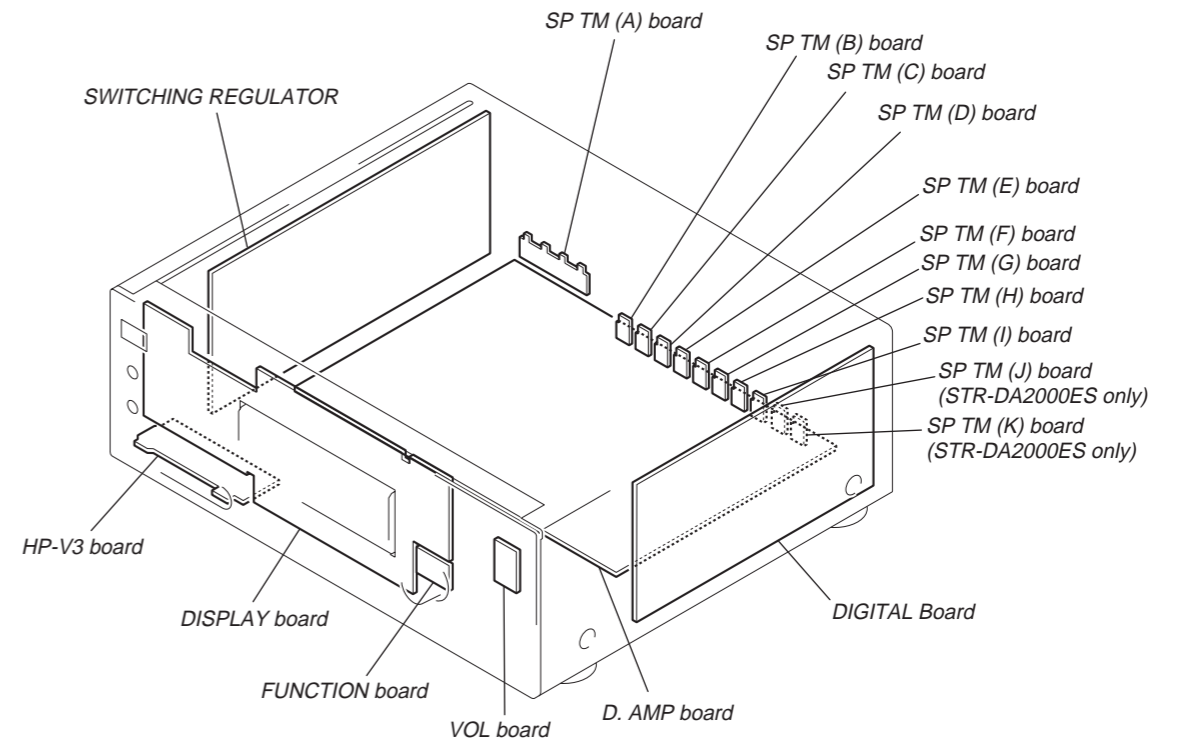
Note on Schematic Diagram:

- All capacitors are in  $\mu\text{F}$  unless otherwise noted. pF:  $\mu\mu\text{F}$  50 WV or less are not indicated except for electrolytics and tantalums.
- All resistors are in  $\Omega$  and  $1/4\text{W}$  or less unless otherwise specified.
- △ : internal component.
- : nonflammable resistor.
- : panel designation.

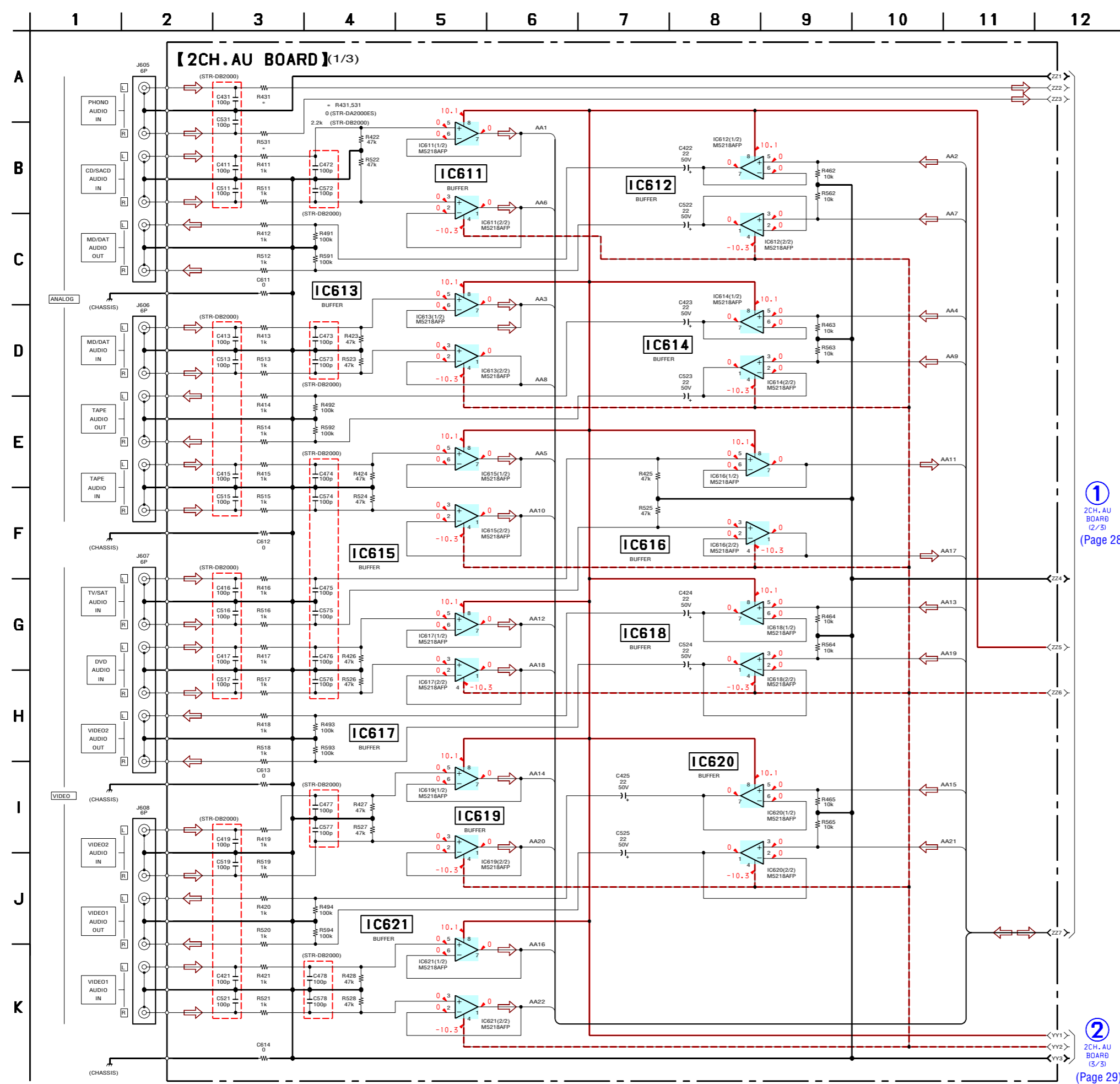
Note:  
 The components identified by mark △ or dotted line with mark △ are critical for safety. Replace only with part number specified.  
 Note:  
 Les composants identifiés par une marque △ sont critiques pour la sécurité. Ne les remplacer que par une pièce portant le numéro spécifié.

- : B+ Line.
- - - : B- Line.
- : adjustment for repair.
- Voltages and waveforms are dc with respect to ground under no-signal (detuned) conditions.
  - MULTI-VIDEO, S-VIDEO boards - no mark : VIDEO 1 mode
  - Other boards - no mark : TUNER ( ) : VIDEO 1 mode
- Voltages are taken with a VOM (Input impedance 10 M $\Omega$ ). Voltage variations may be noted due to normal production tolerances.
- Waveforms are taken with a oscilloscope. Voltage variations may be noted due to normal production tolerances.
- Circled numbers refer to waveforms.
- Signal path.
  - ➡ : TUNER
  - ➡ : AUDIO (ANALOG)
  - ➡ : AUDIO (DIGITAL)
  - ➡ : VIDEO
- Abbreviation
  - MY : Malaysia model
  - SP : Singapore model

• Circuit Boards Location



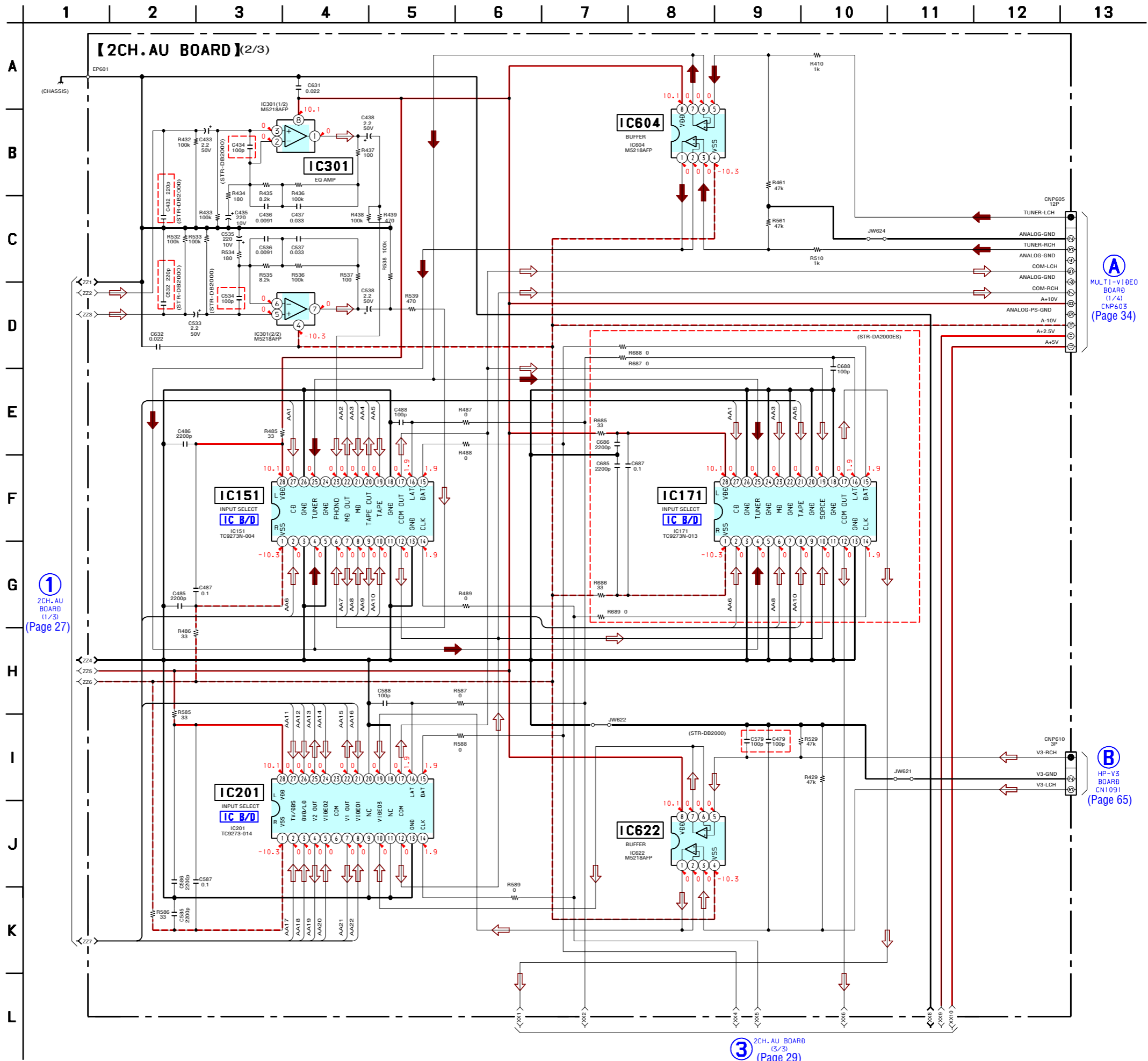
6-12. SCHEMATIC DIAGRAM - 2CH. AU Board (1/3) -



1  
2CH. AU BOARD (2/3)  
(Page 28)

2  
2CH. AU BOARD (3/3)  
(Page 29)

6-13. SCHEMATIC DIAGRAM – 2CH. AU Board (2/3) – • See page 69 for IC Block Diagrams.



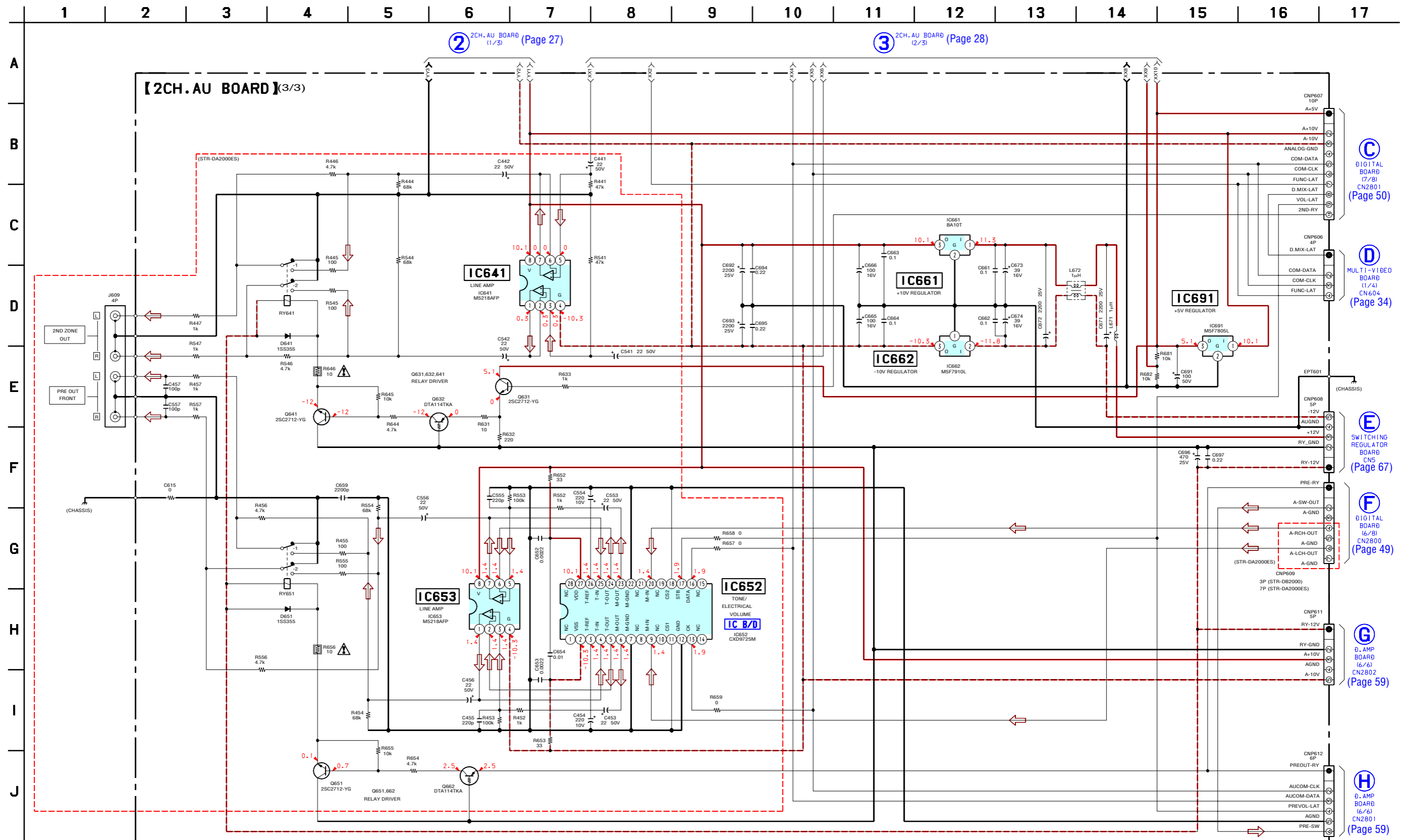
① 2CH. AU BOARD (1/3) (Page 27)

Ⓐ MULTI-VIDEO BOARD (1/4) CNP603 (Page 34)

Ⓑ HP-V3 BOARD CN1091 (Page 65)


③ 2CH. AU BOARD (3/3) (Page 29)

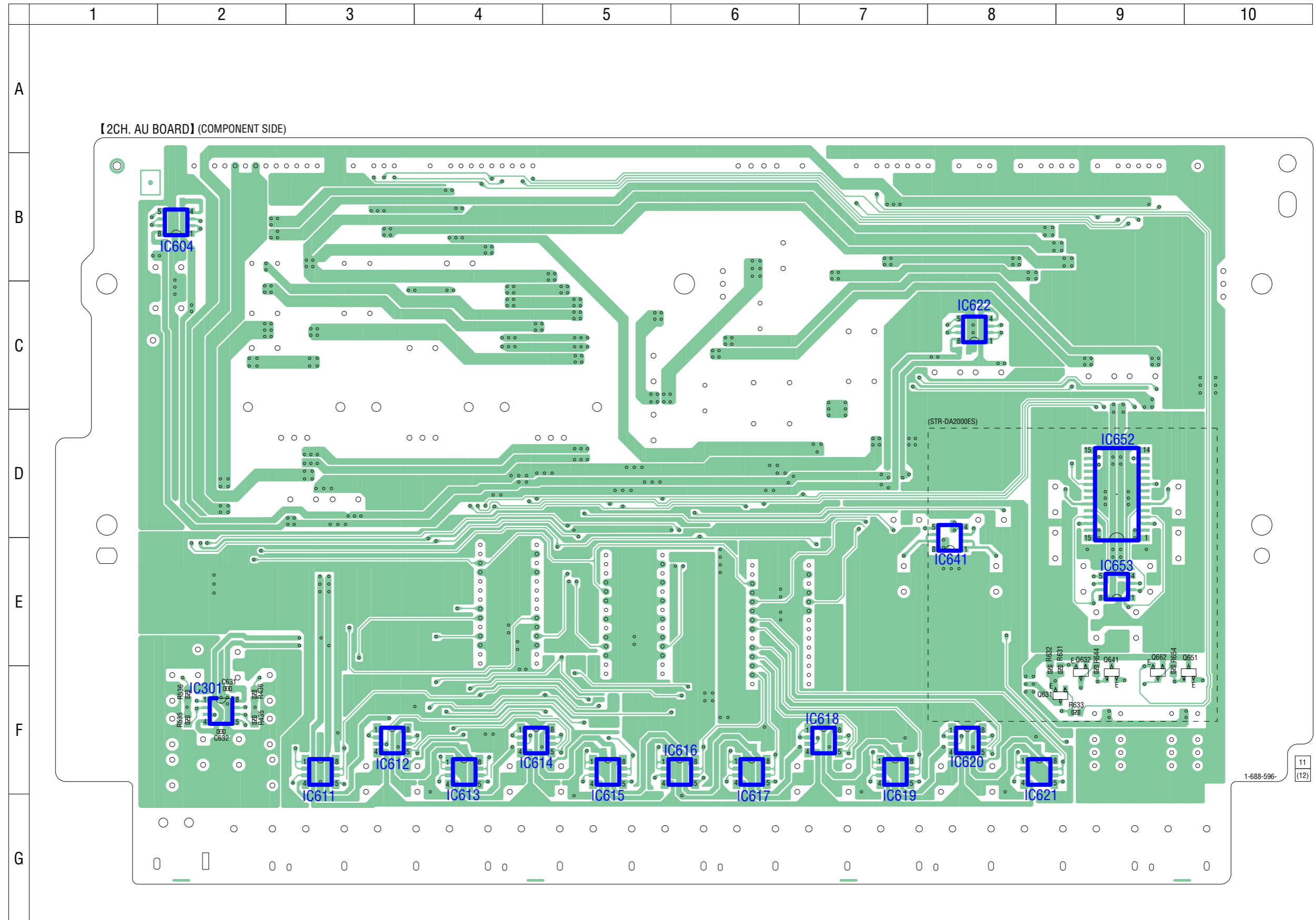
6-14. SCHEMATIC DIAGRAM – 2CH. AU Board (3/3) – • See page 69 for IC Block Diagram.



The components identified by mark  $\Delta$  or dotted line with mark  $\Delta$  are critical for safety. Replace only with part number specified.

Les composants identifiés par une marque  $\Delta$  sont critiques pour la sécurité. Ne les remplacer que par une pièce portant le numéro spécifié.


6-15. PRINTED WIRING BOARD – 2CH. AU Board (Component Side) – • See page 26 for Circuit Boards Location.  :Uses unleaded solder.

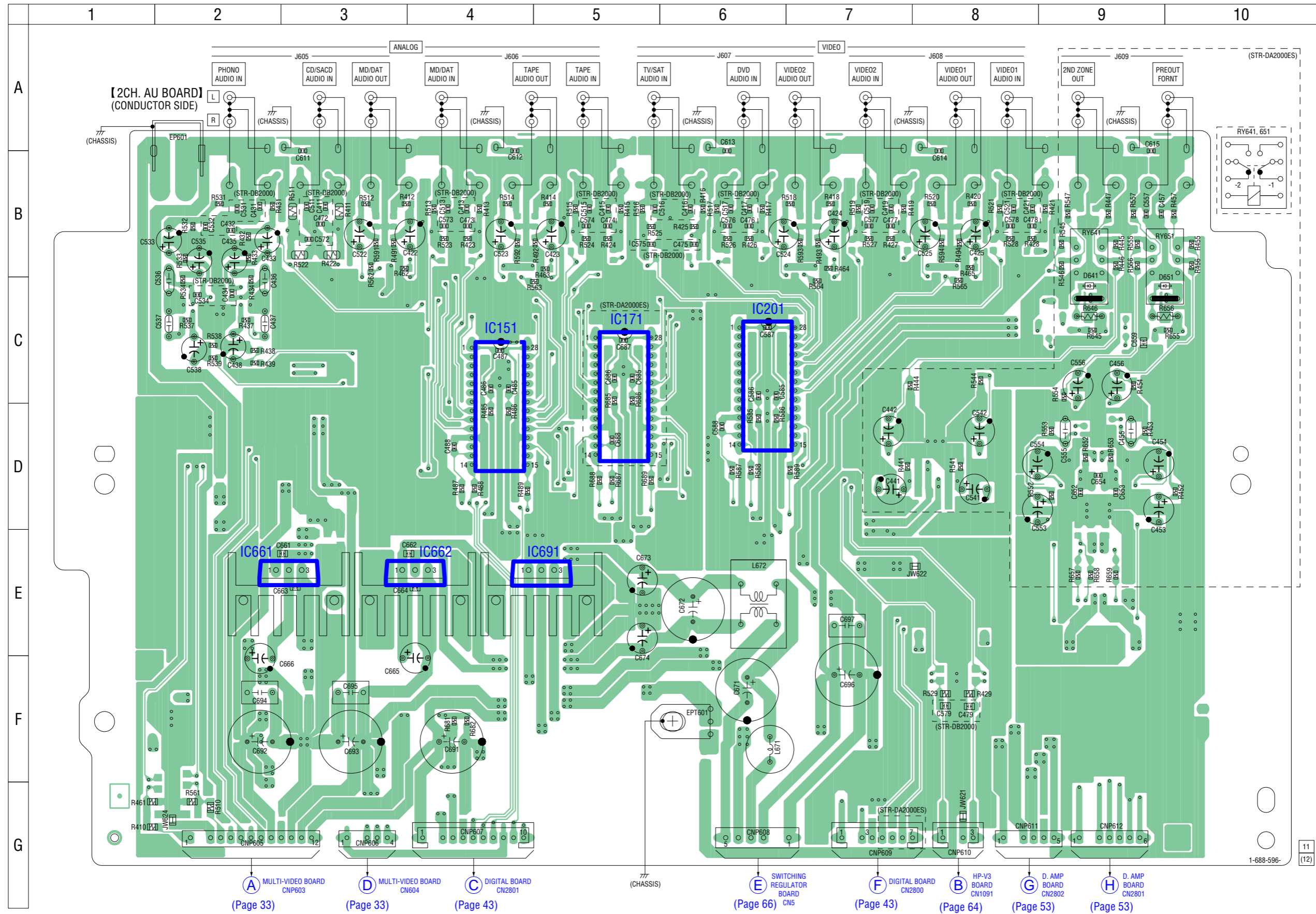


• Semiconductor Location

Ref. No.	Location
IC301	F-2
IC604	B-2
IC611	F-3
IC612	F-3
IC613	F-4
IC614	F-4
IC615	F-5
IC616	F-6
IC617	F-6
IC618	F-7
IC619	F-7
IC620	F-8
IC621	F-8
IC622	C-8
IC641	D-8
IC652	D-9
IC653	E-9
Q631	F-9
Q632	F-9
Q641	F-9
Q651	F-10
Q662	F-9

1-688-596-  
11  
(12)

6-16. PRINTED WIRING BOARD – 2CH. AU Board (Conductor Side) – • See page 26 for Circuit Boards Location.  :Uses unleaded solder.




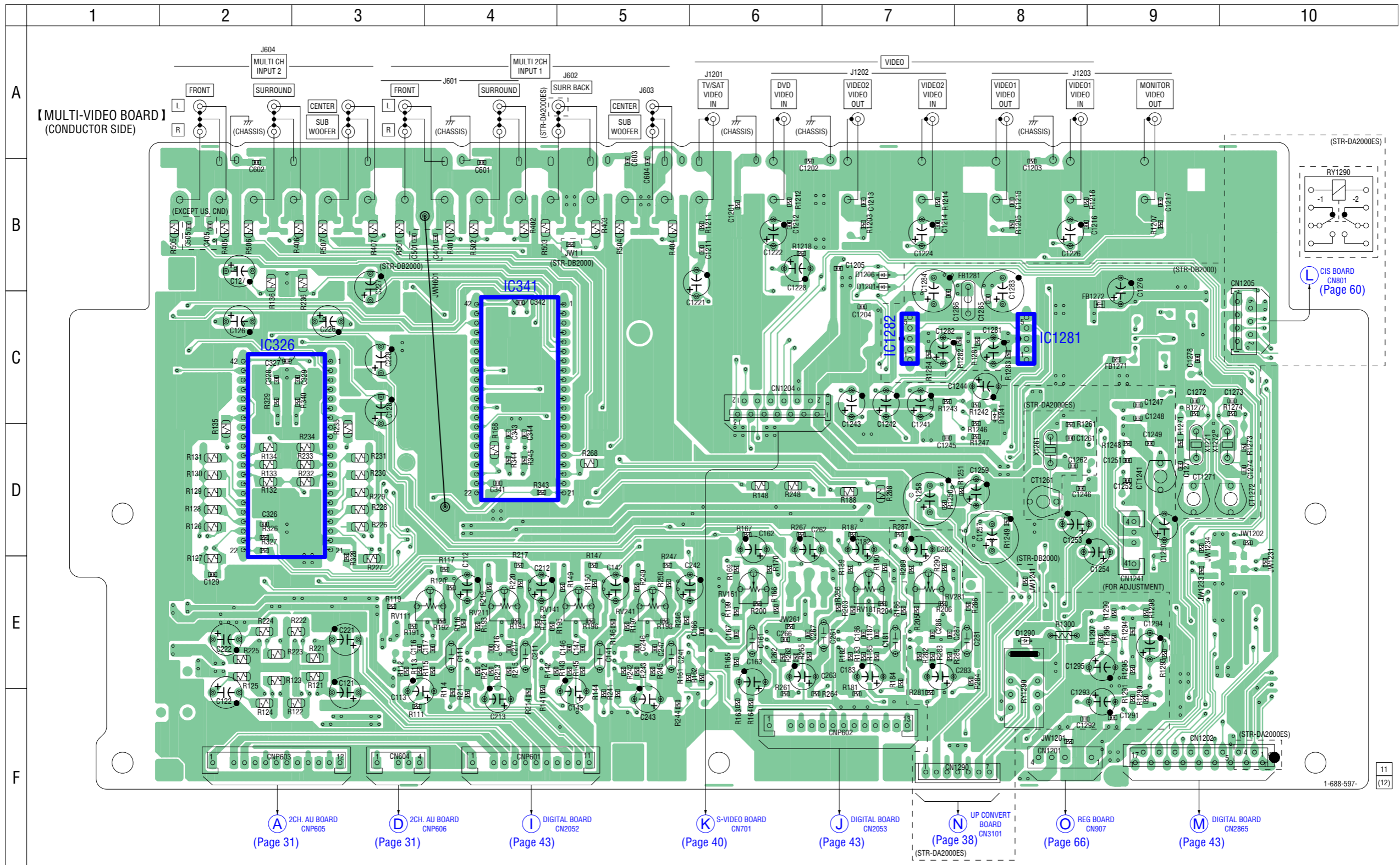
• Semiconductor Location

Ref. No.	Location
D641	C-9
D651	C-10
IC151	D-4
IC171	C-5
IC201	C-6
IC661	E-3
IC662	E-4
IC691	E-5



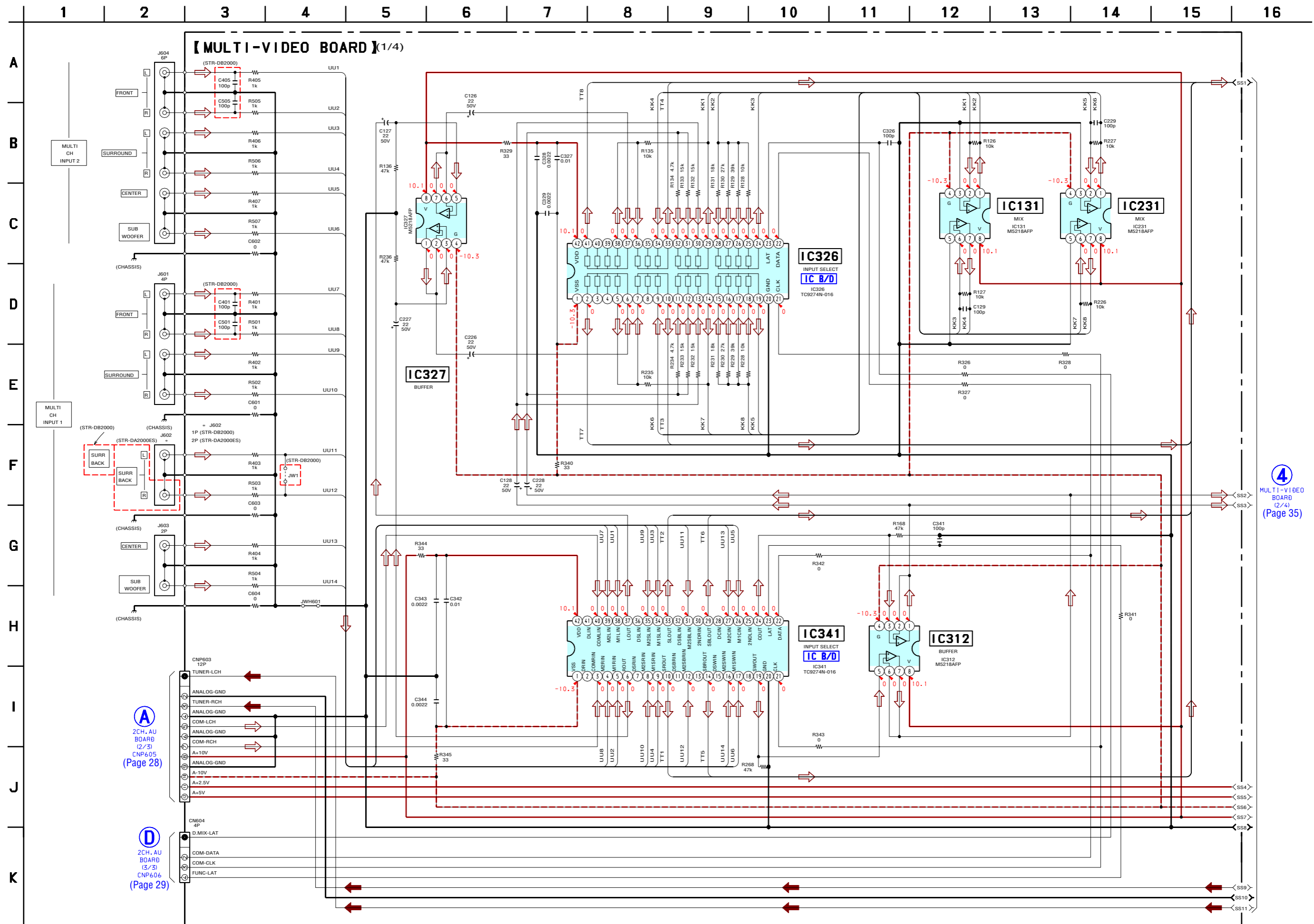


6-18. PRINTED WIRING BOARD – MULTI-VIDEO Board (Conductor Side) – • See page 26 for Circuit Boards Location.  :Uses unleaded solder.



• Semiconductor Location

Ref. No.	Location
D1201	B-7
D1206	B-7
D1241	C-8
D1290	E-8
IC326	D-2
IC341	C-4
IC1281	C-8
IC1282	C-7

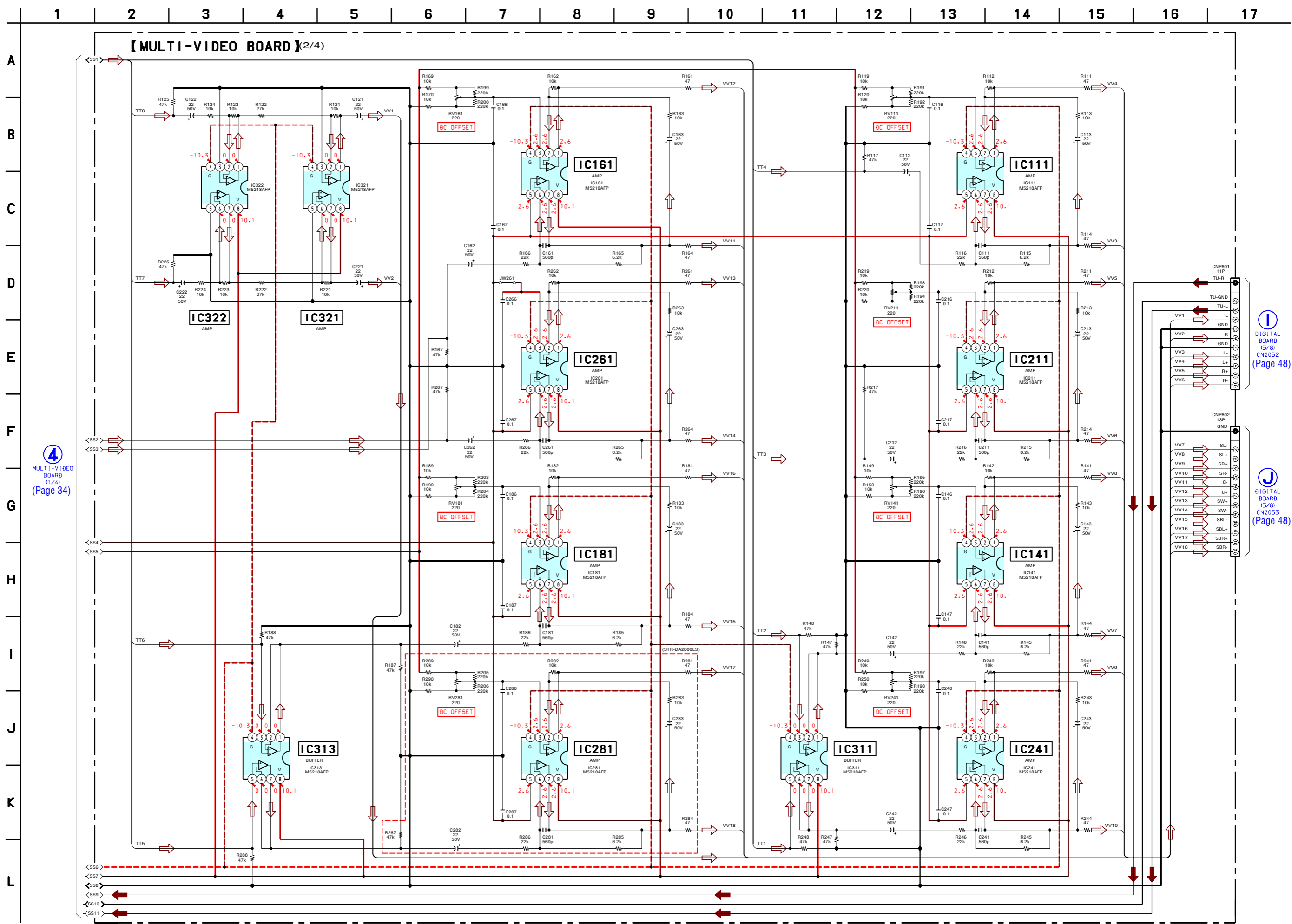


4  
MULTI-VIDEO BOARD (2/4)  
(Page 35)

A  
2CH. AU BOARD (2/3)  
CNP605  
(Page 28)

D  
2CH. AU BOARD (3/3)  
CNP606  
(Page 29)

6-20. SCHEMATIC DIAGRAM – MULTI-VIDEO Board (2/4) –

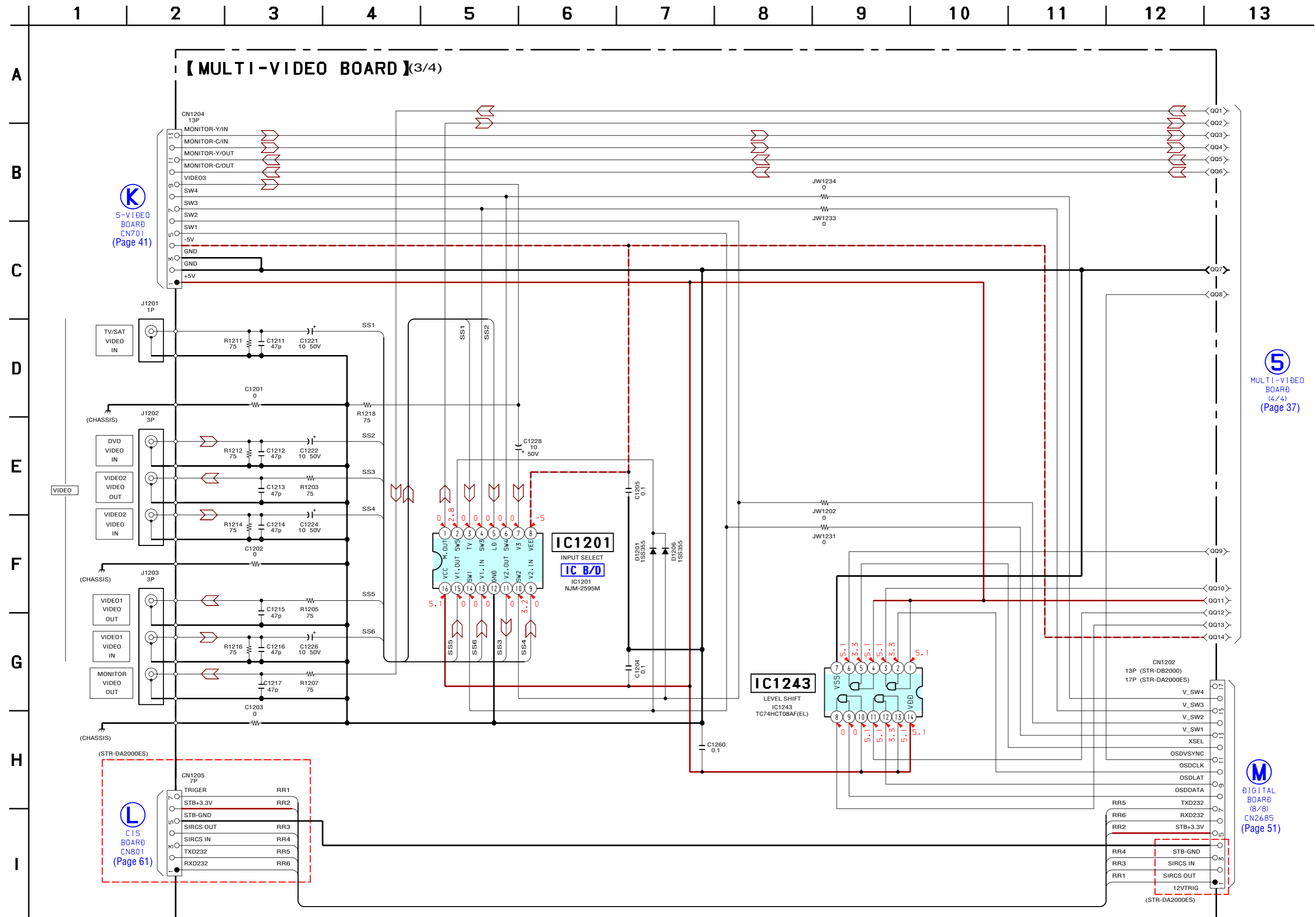


4 MULTI-VIDEO BOARD (1/4) (Page 34)

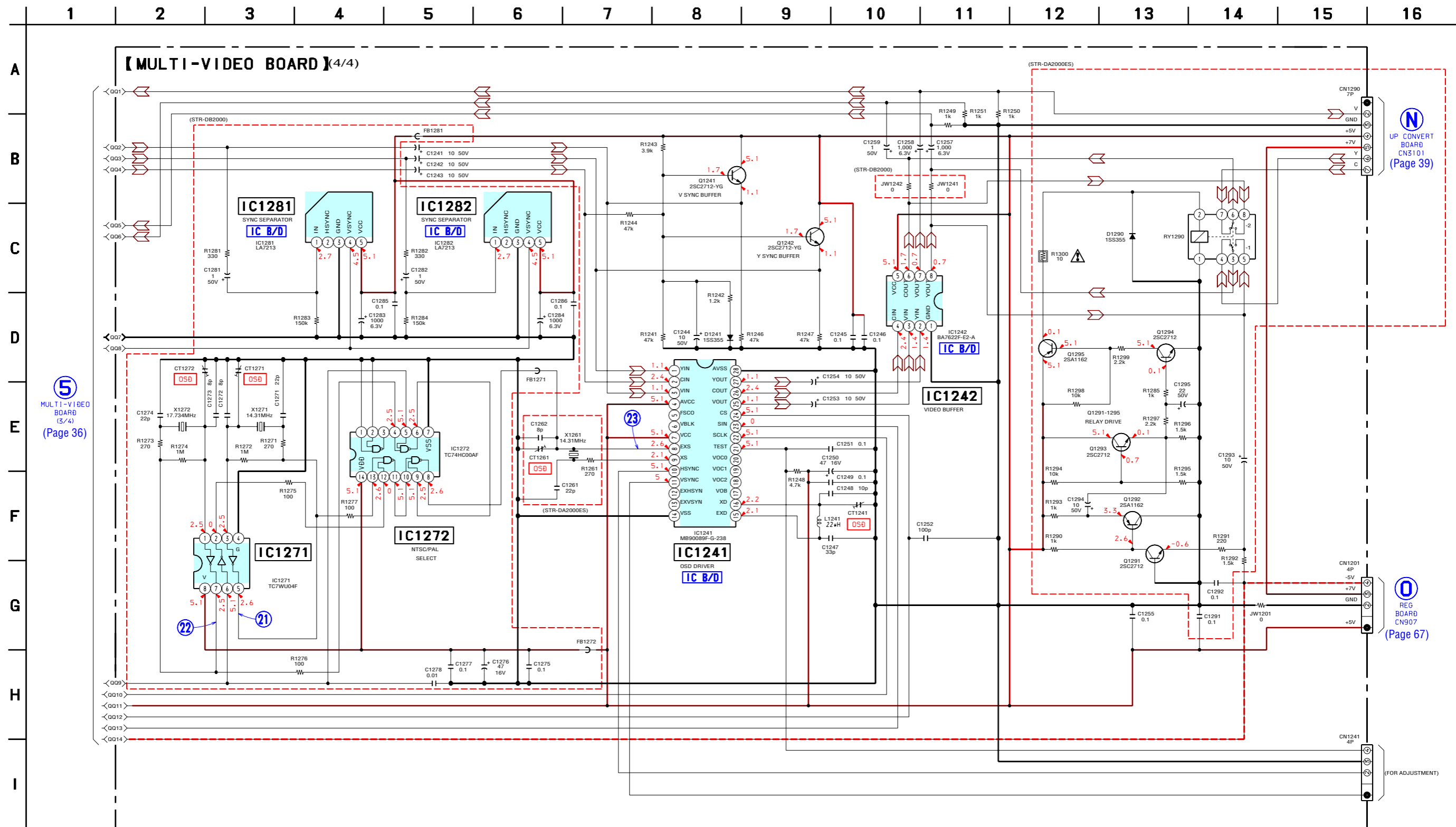
DIGITAL BOARD (5/8) CN2052 (Page 48)

J DIGITAL BOARD (5/8) CN2053 (Page 48)

6-21. SCHEMATIC DIAGRAM – MULTI-VIDEO Board (3/4) – • See page 69 for IC Block Diagram.



6-22. SCHEMATIC DIAGRAM – MULTI-VIDEO Board (4/4) – • See page 68 for Waveforms. • See page 69 for IC Block Diagrams.




5 MULTI-VIDEO BOARD (3/4) (Page 36)

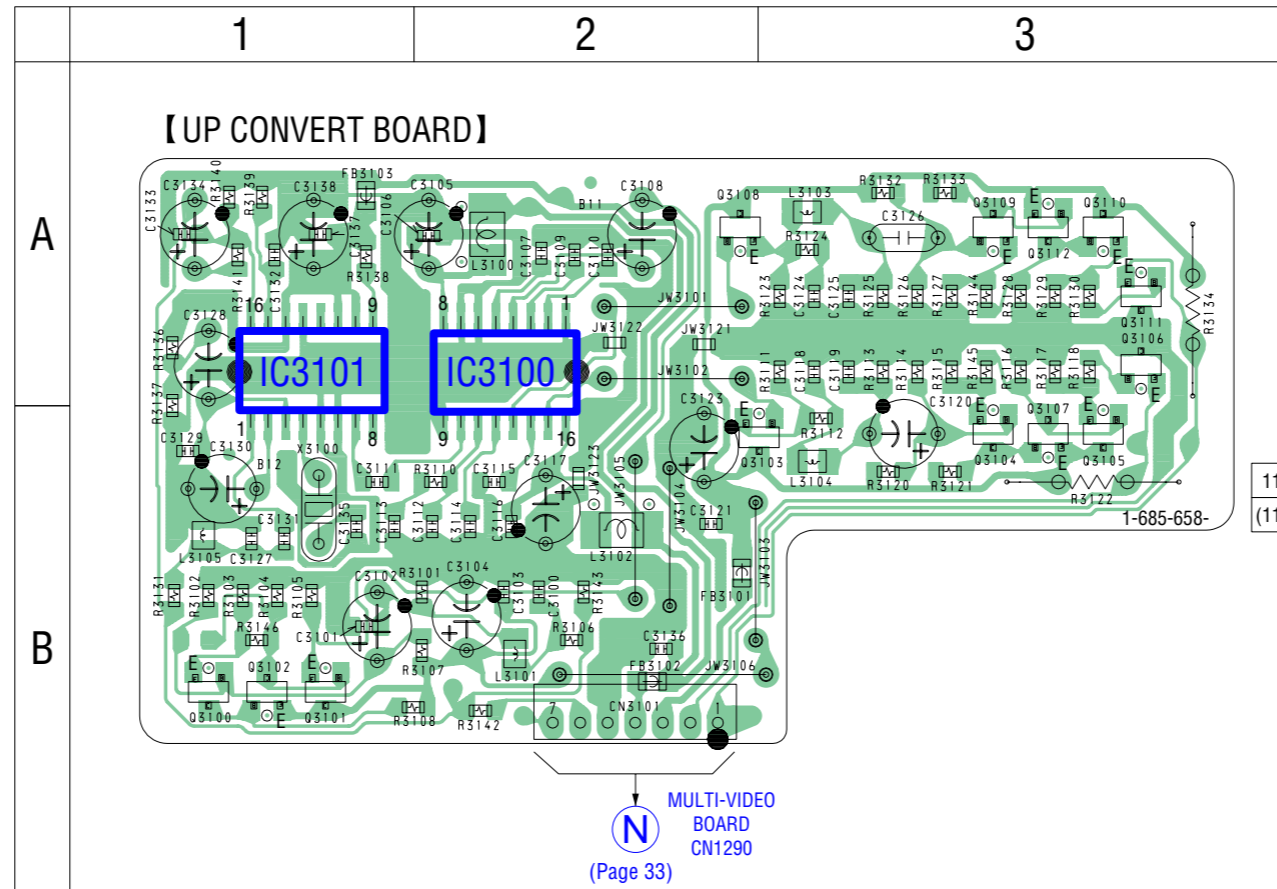
N UP CONVERT BOARD CN3101 (Page 39)

O REG BOARD CN907 (Page 67)

The components identified by mark  $\Delta$  or dotted line with mark  $\Delta$  are critical for safety. Replace only with part number specified.

Les composants identifiés par une marque  $\Delta$  sont critiques pour la sécurité. Ne les remplacer que par une pièce portant le numéro spécifié.

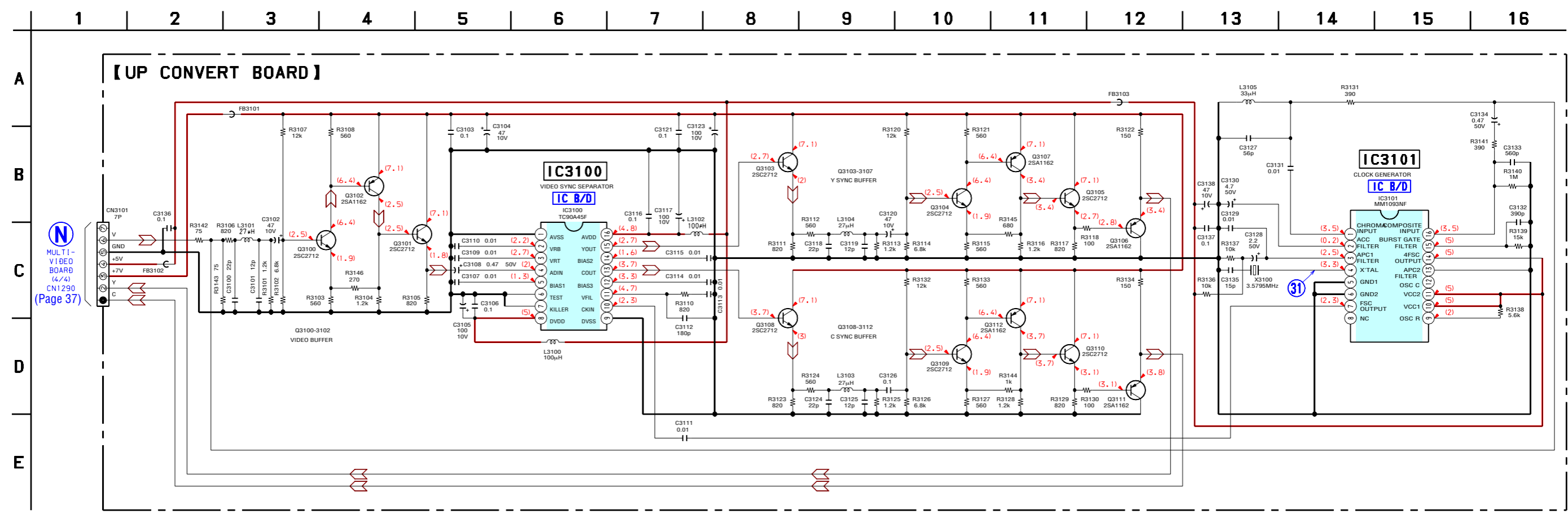
6-23. PRINTED WIRING BOARD – UP CONVERTER Board (STR-DA2000ES only) – • See page 26 for Circuit Boards Location.  :Uses unleaded solder.

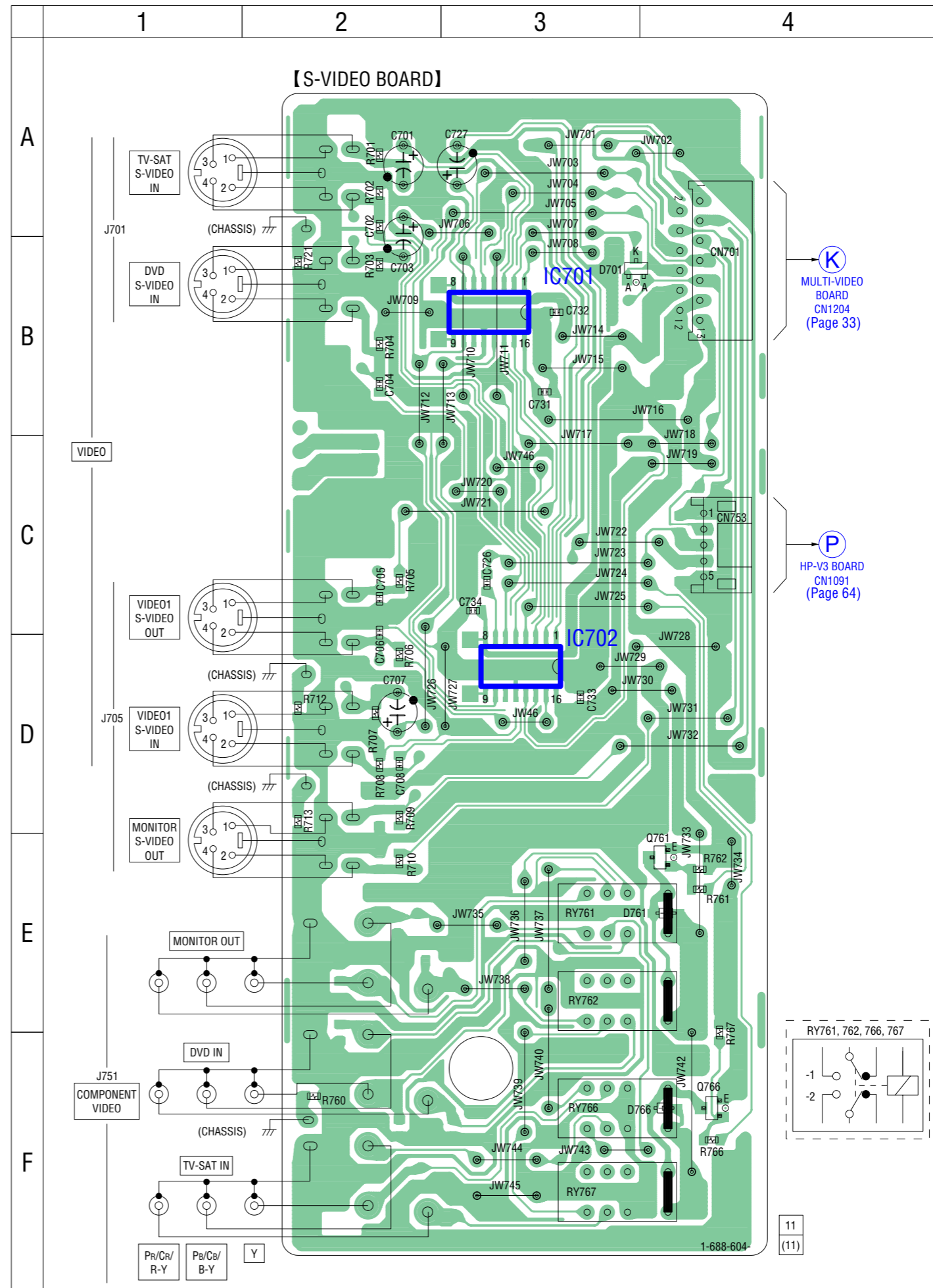


• Semiconductor Location

Ref. No.	Location
IC3100	A-2
IC3101	A-1
Q3100	B-1
Q3101	B-1
Q3102	B-1
Q3103	B-3
Q3104	B-3
Q3105	B-3
Q3106	A-3
Q3107	B-3
Q3108	A-2
Q3109	A-3
Q3110	A-3
Q3111	A-3
Q3112	A-3

6-24. SCHEMATIC DIAGRAM – UP CONVERTER Board (STR-DA2000ES only) – • See page 68 for Waveform. • See page 69 for IC Block Diagrams.



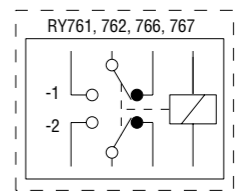


• Semiconductor Location

Ref. No.	Location
D701	B-3
D761	E-4
D766	F-4
IC701	B-3
IC702	D-3
Q761	E-4
Q766	F-4

**(K)**  
MULTI-VIDEO BOARD  
CN1204  
(Page 33)

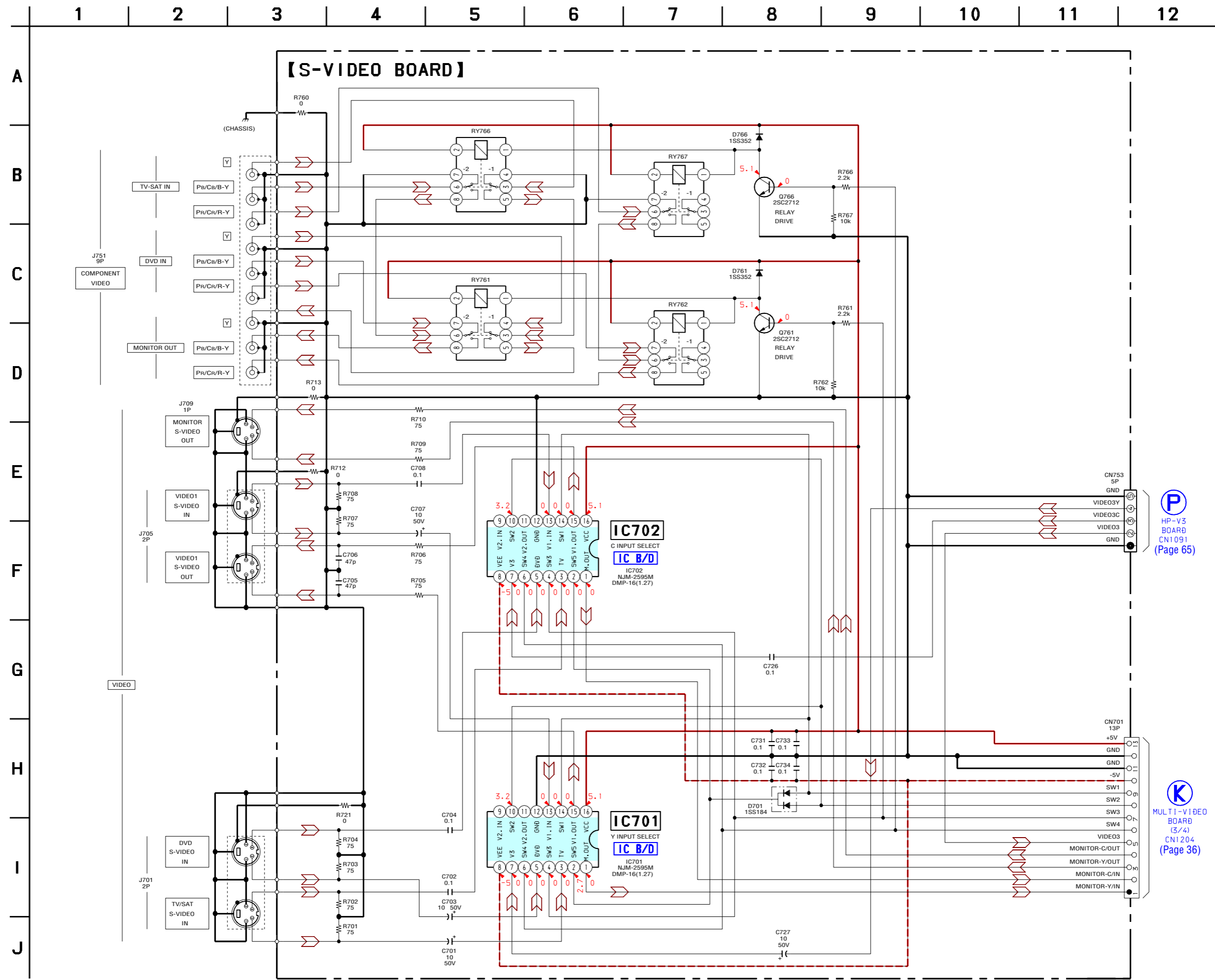
**(P)**  
HP-V3 BOARD  
CN1091  
(Page 64)



11  
(11)




6-26. SCHEMATIC DIAGRAM – S-VIDEO Board – See page 69 for IC Block Diagrams.



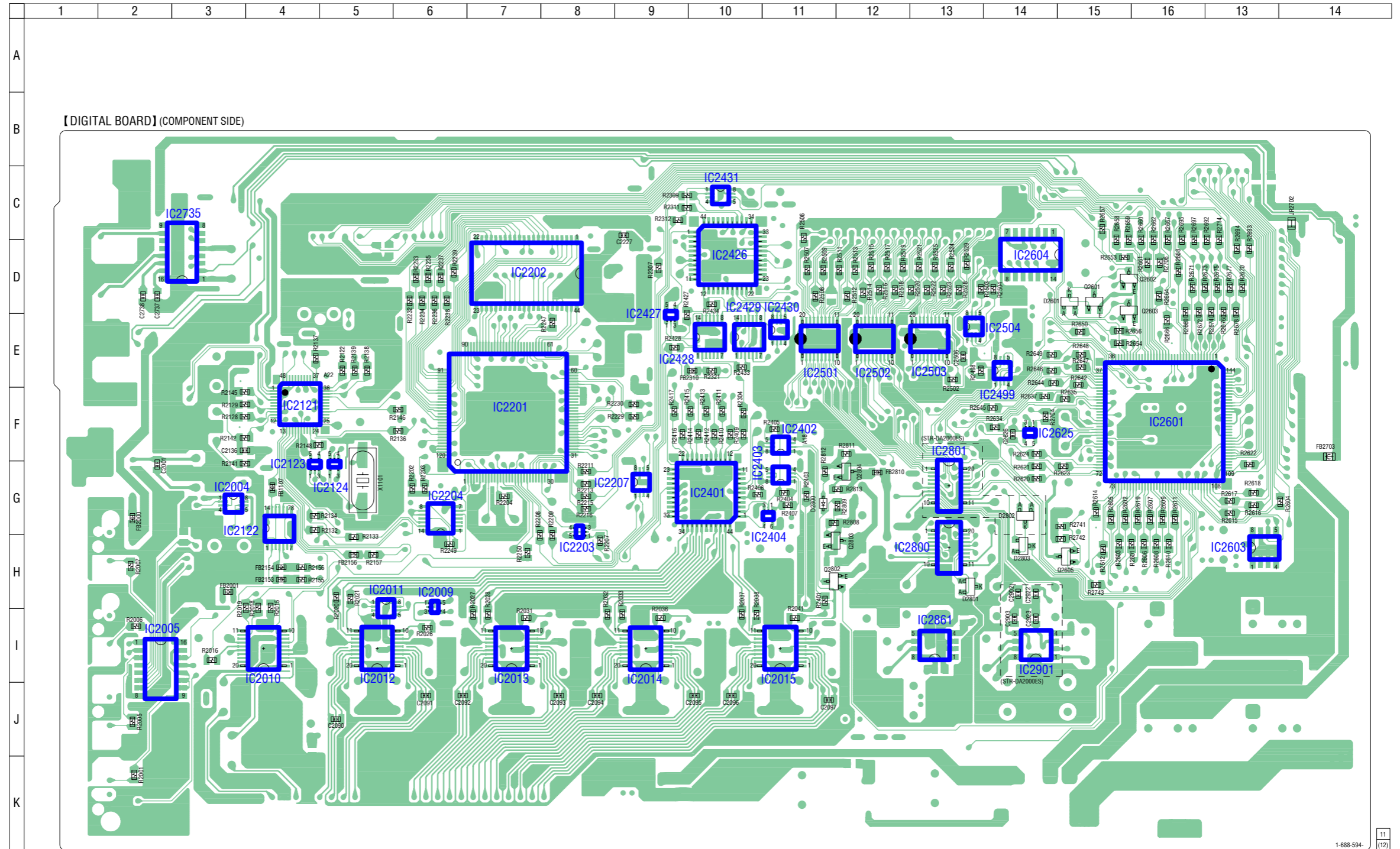
**P**  
 HP-V3  
 BOARD  
 CN1091  
 (Page 65)


**K**  
 MULTI-VIDEO  
 BOARD  
 (3/4)  
 CN1204  
 (Page 36)

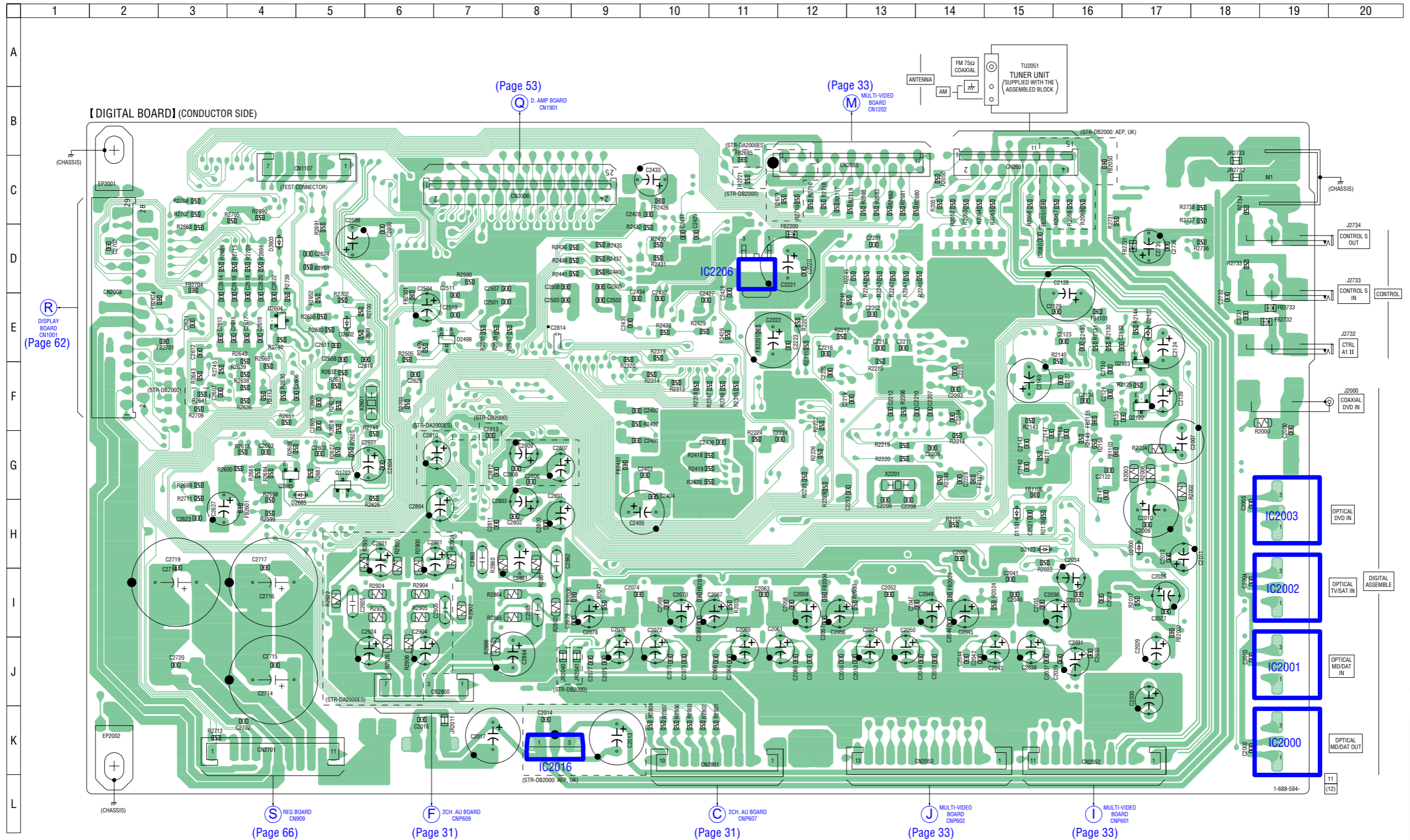
6-27. PRINTED WIRING BOARD – DIGITAL Board (Component Side) – • See page 26 for Circuit Boards Location.  :Uses unleaded solder.

• Semiconductor Location

Ref. No.	Location
D2601	D-15
D2800	G-11
D2801	H-13
D2802	G-14
D2803	H-14
IC2004	G-3
IC2005	I-2
IC2009	H-6
IC2010	I-4
IC2011	H-5
IC2012	I-5
IC2013	I-7
IC2014	I-9
IC2015	I-11
IC2121	F-4
IC2122	G-4
IC2123	G-4
IC2124	G-5
IC2201	F-7
IC2202	D-7
IC2203	G-8
IC2204	G-6
IC2207	G-9
IC2401	G-10
IC2402	F-11
IC2403	G-11
IC2404	G-11
IC2426	D-10
IC2427	E-9
IC2428	E-10
IC2429	E-10
IC2430	E-11
IC2431	C-10
IC2499	E-14
IC2501	E-11
IC2502	E-12
IC2503	E-13
IC2504	E-13
IC2601	F-16
IC2603	H-13
IC2604	D-14
IC2625	F-14
IC2735	D-3
IC2800	H-13
IC2801	G-13
IC2861	I-13
IC2901	I-14
Q2601	D-15
Q2602	D-15
Q2603	D-15
Q2605	H-15
Q2802	H-11
Q2803	H-11
Q2804	G-12



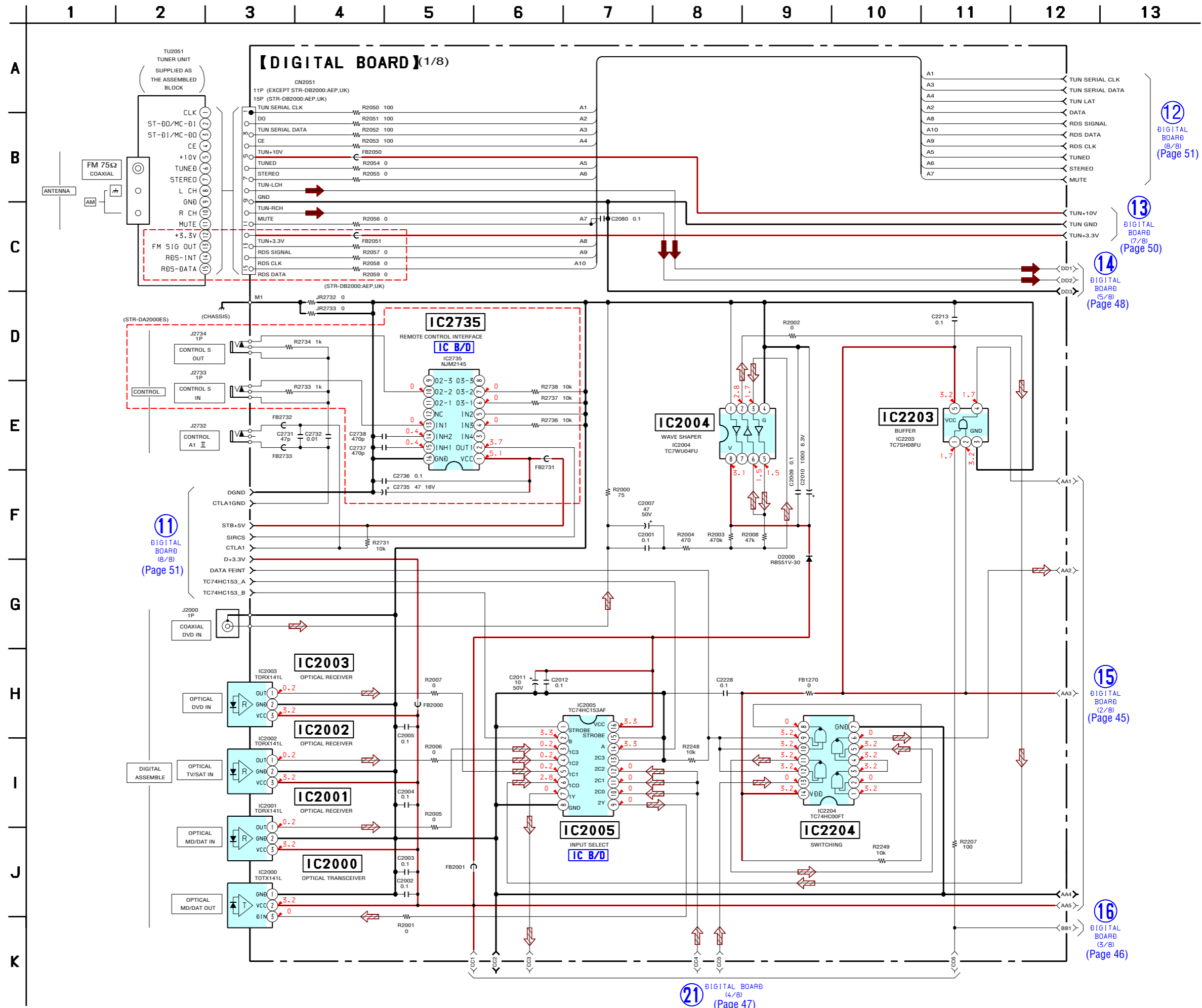
6-28. PRINTED WIRING BOARD – DIGITAL Board (Conductor Side) – • See page 26 for Circuit Boards Location.  :Uses unleaded solder.



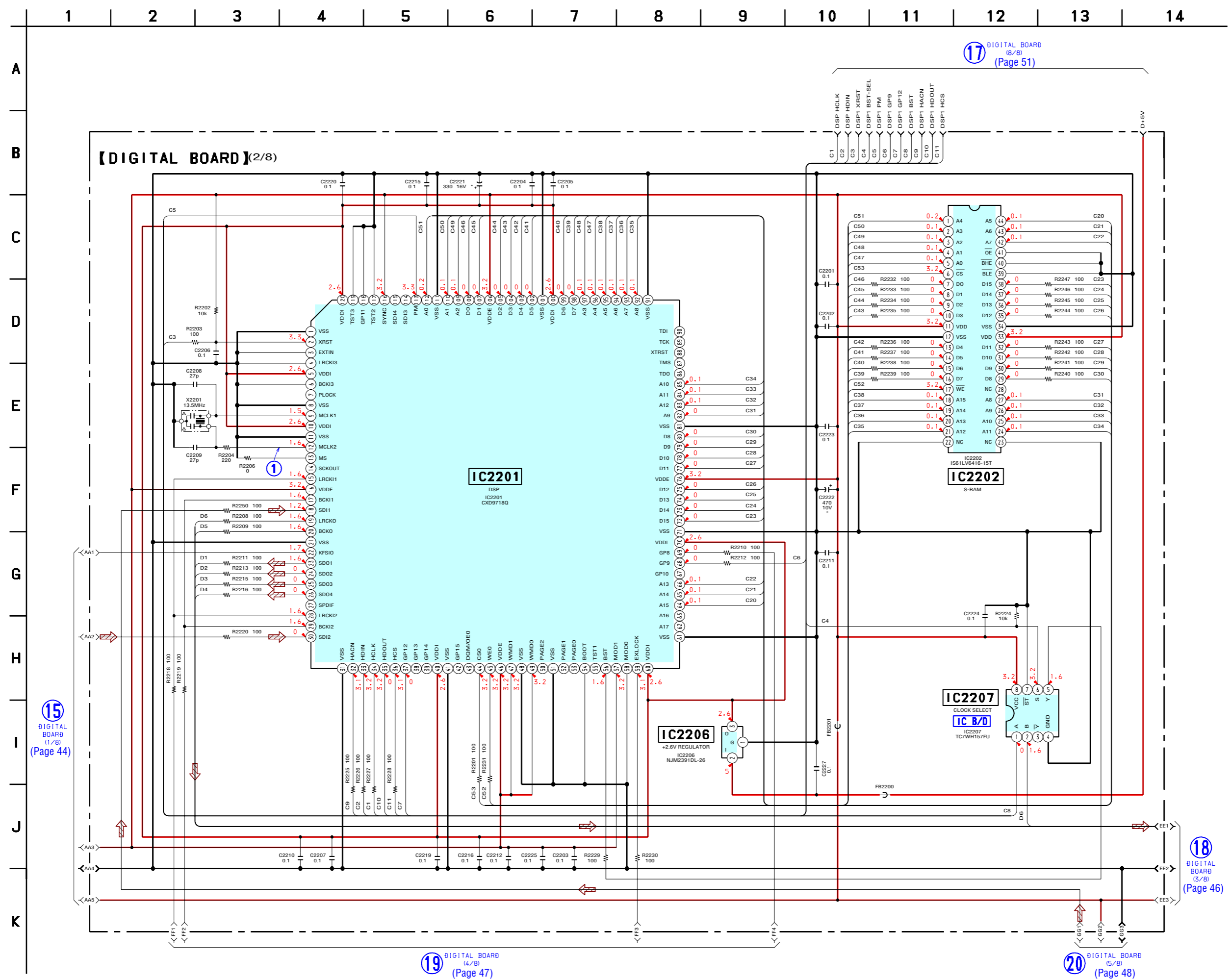
• Semiconductor Location

Ref. No.	Location
D1101	H-15
D2000	H-17
D2122	E-17
D2123	H-15
D2499	E-7
D2602	E-5
D2603	D-4
D2685	G-5
IC2000	K-19
IC2001	J-19
IC2002	I-19
IC2003	H-19
IC2016	K-8
IC2206	D-11
Q1702	G-5
Q2122	F-17
Q2123	F-17
Q2604	E-4
Q2685	G-4

6-29. SCHEMATIC DIAGRAM – DIGITAL Board (1/8) – • See page 69 for IC Block Diagrams.



6-30. SCHEMATIC DIAGRAM – DIGITAL Board (2/8) – • See page 68 for Waveform. • See page 69 for IC Block Diagram.



17 DIGITAL BOARD (2/8) (Page 51)

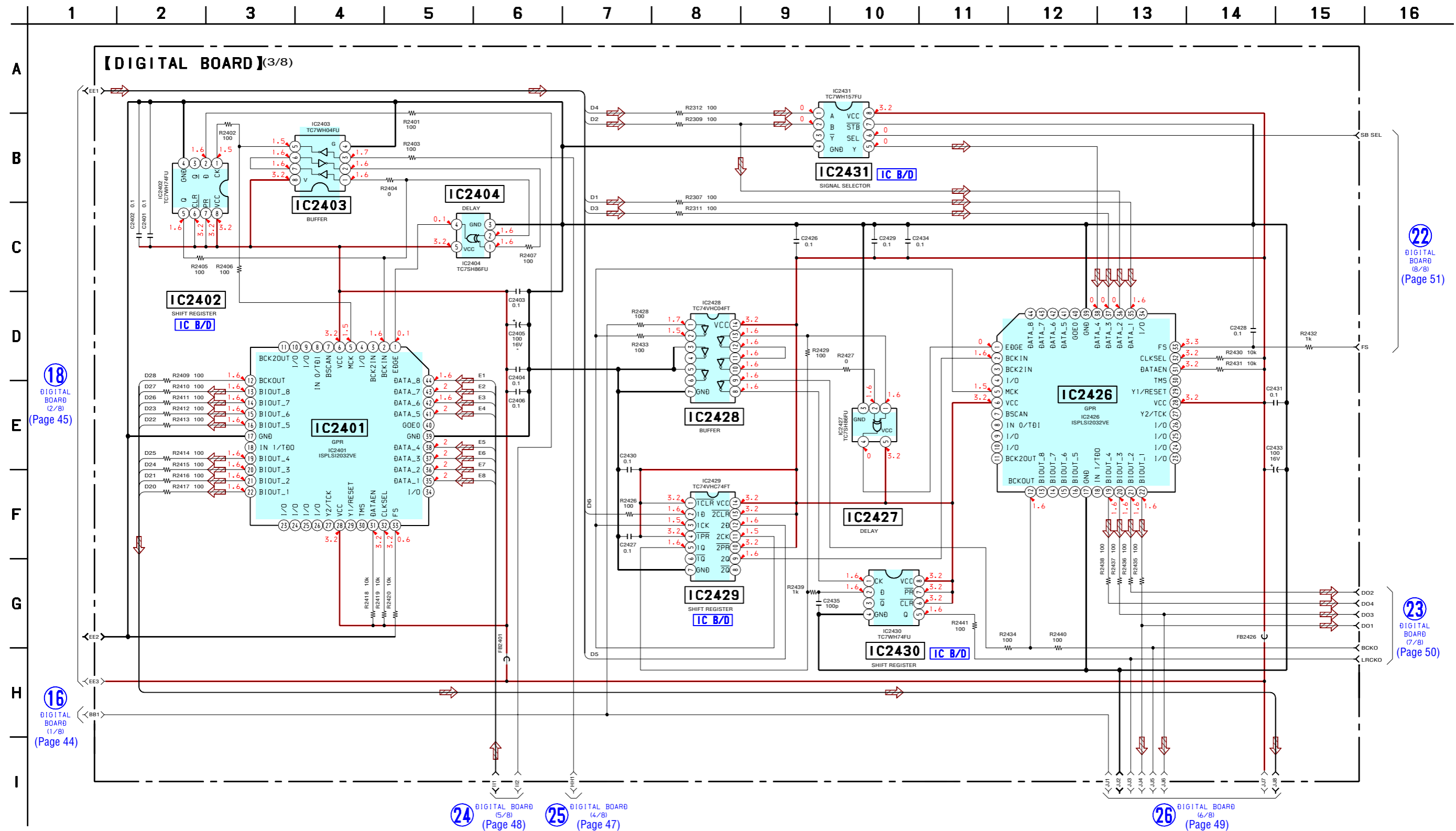
15 DIGITAL BOARD (1/8) (Page 44)

18 DIGITAL BOARD (3/8) (Page 46)

19 DIGITAL BOARD (4/8) (Page 47)

20 DIGITAL BOARD (5/8) (Page 48)

6-31. SCHEMATIC DIAGRAM – DIGITAL Board (3/8) – • See page 69 for IC Block Diagrams.



18 DIGITAL BOARD (2/8) (Page 45)

16 DIGITAL BOARD (1/8) (Page 44)

22 DIGITAL BOARD (8/8) (Page 51)

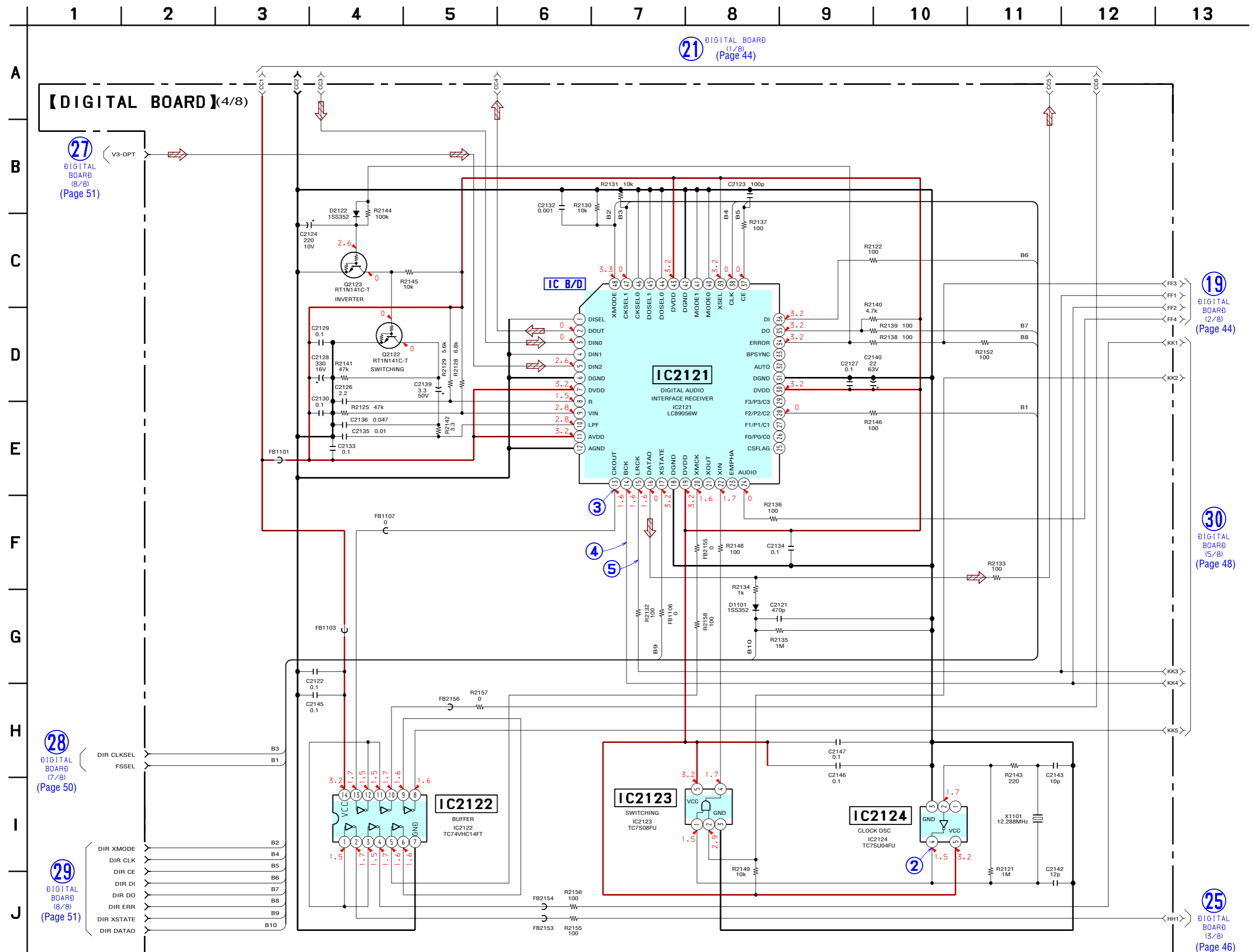
23 DIGITAL BOARD (7/8) (Page 50)

24 DIGITAL BOARD (5/8) (Page 48)

25 DIGITAL BOARD (4/8) (Page 47)

26 DIGITAL BOARD (6/8) (Page 49)

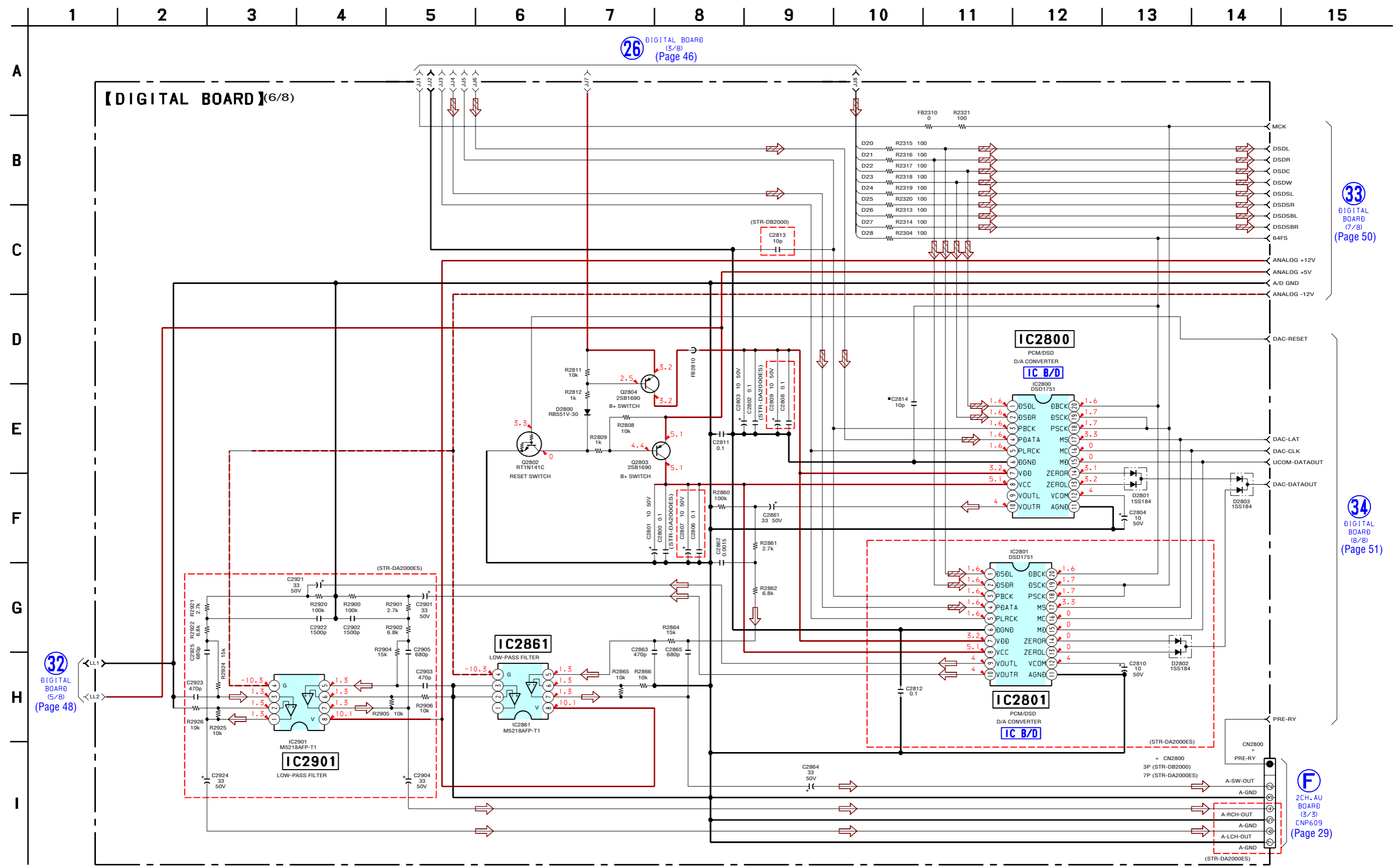
6-32. SCHEMATIC DIAGRAM – DIGITAL Board (4/8) – • See page 68 for Waveforms. • See page 69 for IC Block Diagram.



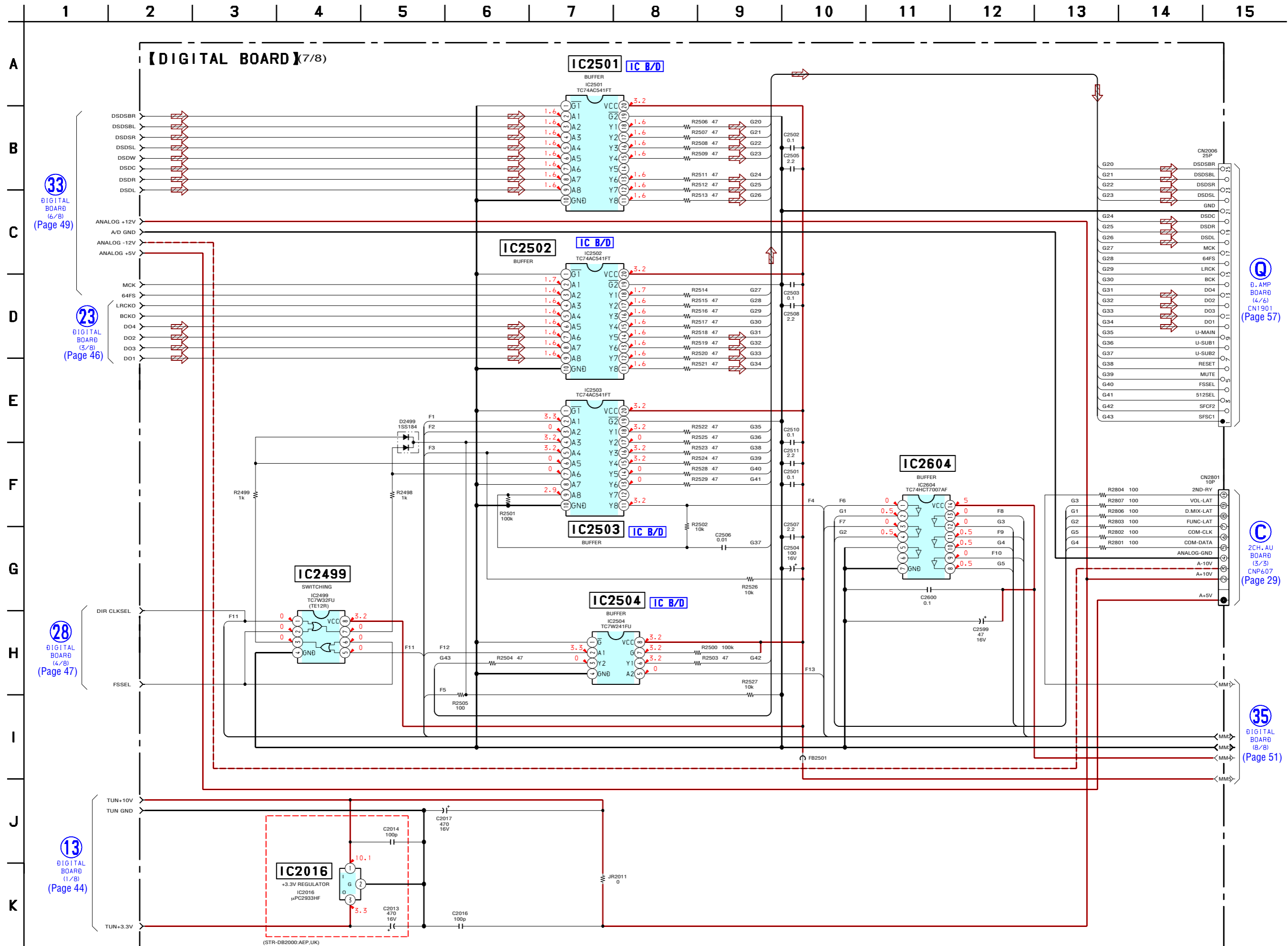




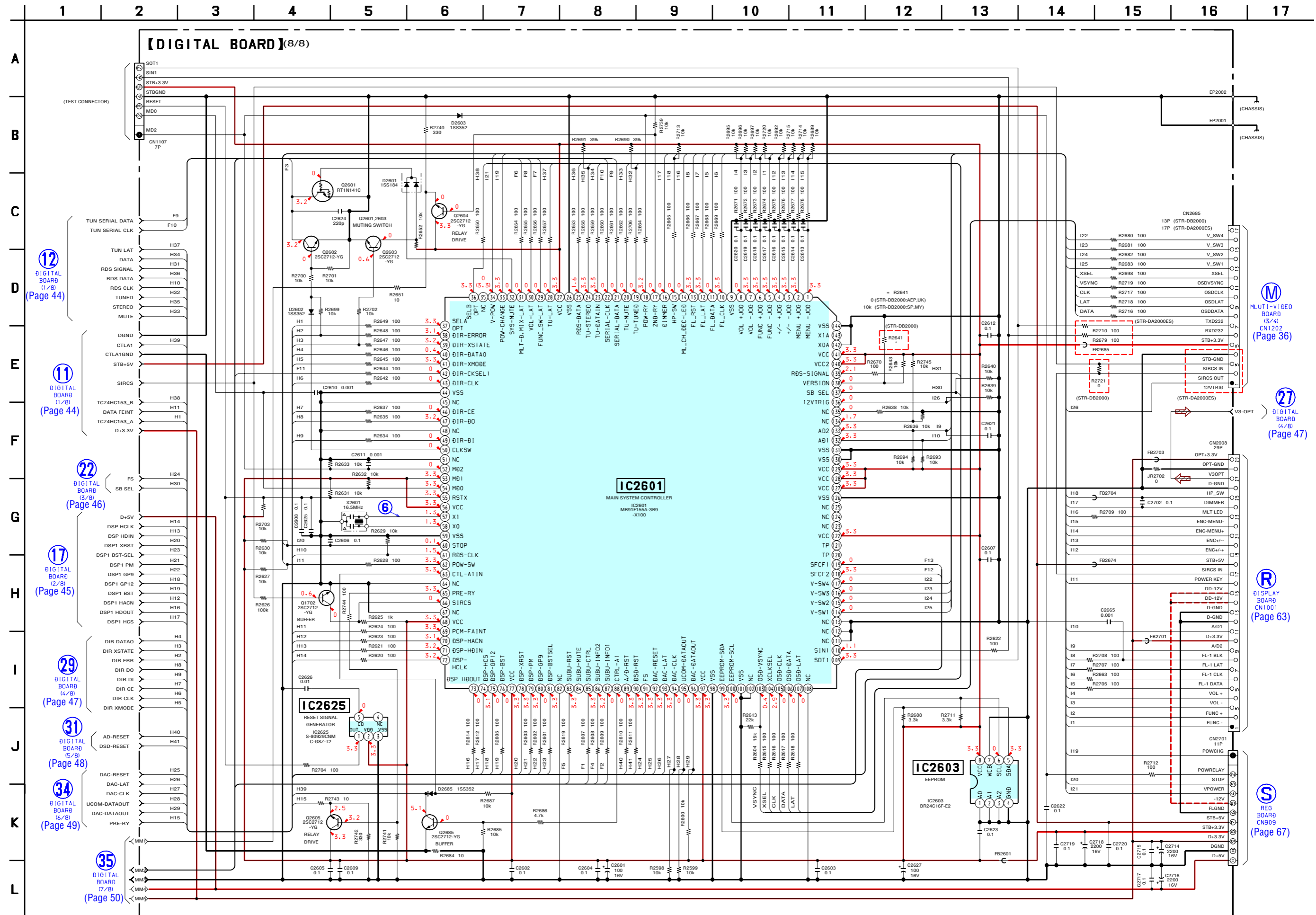
6-34. SCHEMATIC DIAGRAM – DIGITAL Board (6/8) – • See page 69 for IC Block Diagrams.



6-35. SCHEMATIC DIAGRAM – DIGITAL Board (7/8) – • See page 69 for IC Block Diagrams.



6-36. SCHEMATIC DIAGRAM – DIGITAL Board (8/8) – • See page 68 for Waveform.



12 DIGITAL BOARD (1/8) (Page 44)

11 DIGITAL BOARD (11/8) (Page 44)

22 DIGITAL BOARD (3/8) (Page 46)

17 DIGITAL BOARD (2/8) (Page 45)

29 DIGITAL BOARD (4/8) (Page 47)

31 DIGITAL BOARD (5/8) (Page 48)

34 DIGITAL BOARD (6/8) (Page 49)


35 DIGITAL BOARD (7/8) (Page 50)

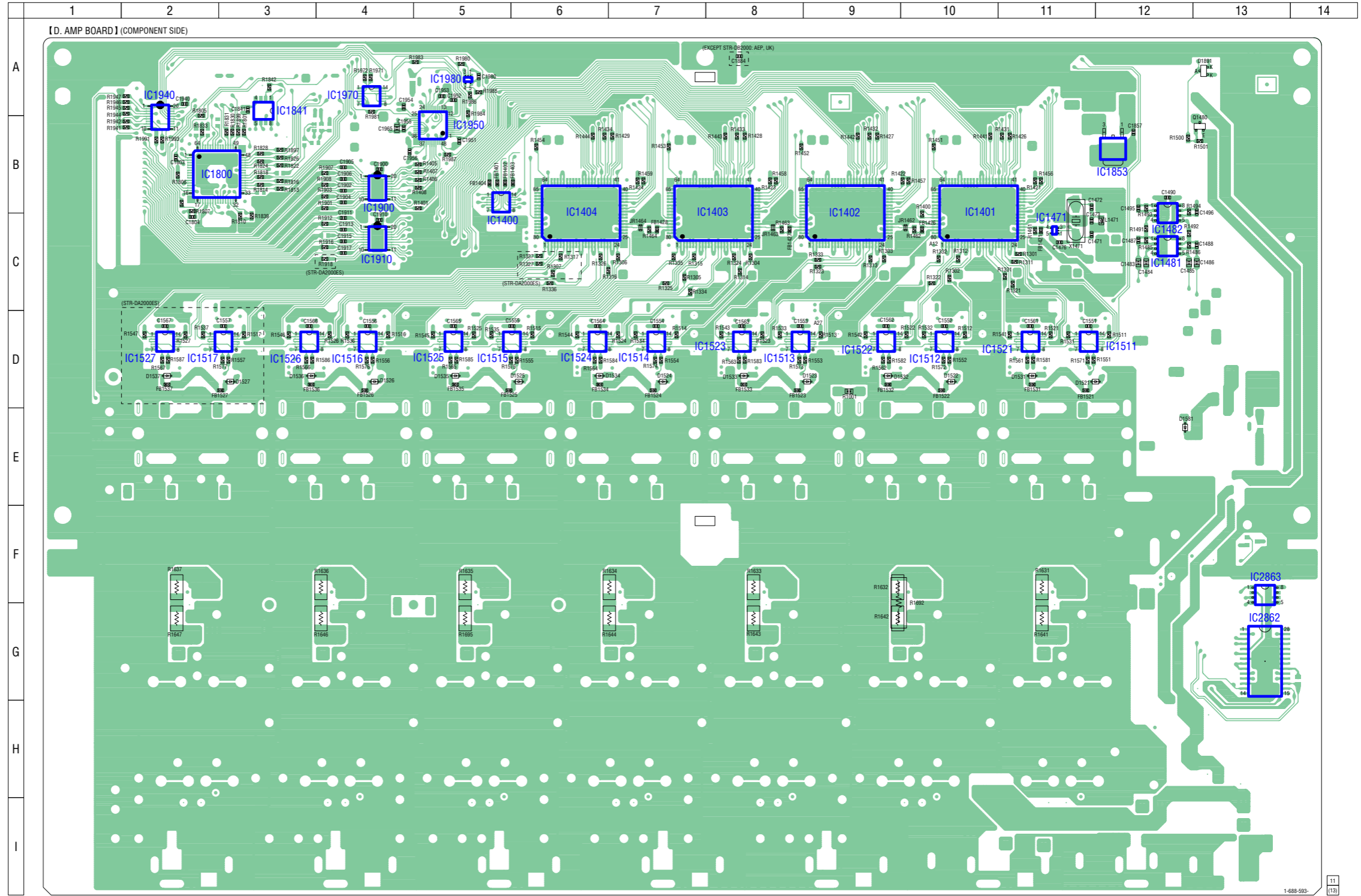
M MULTI-VIDEO BOARD (3/4) CN1202 (Page 36)

27 DIGITAL BOARD (6/8) (Page 47)

R DISPLAY BOARD CN1001 (Page 63)


S REG BOARD CN909 (Page 67)

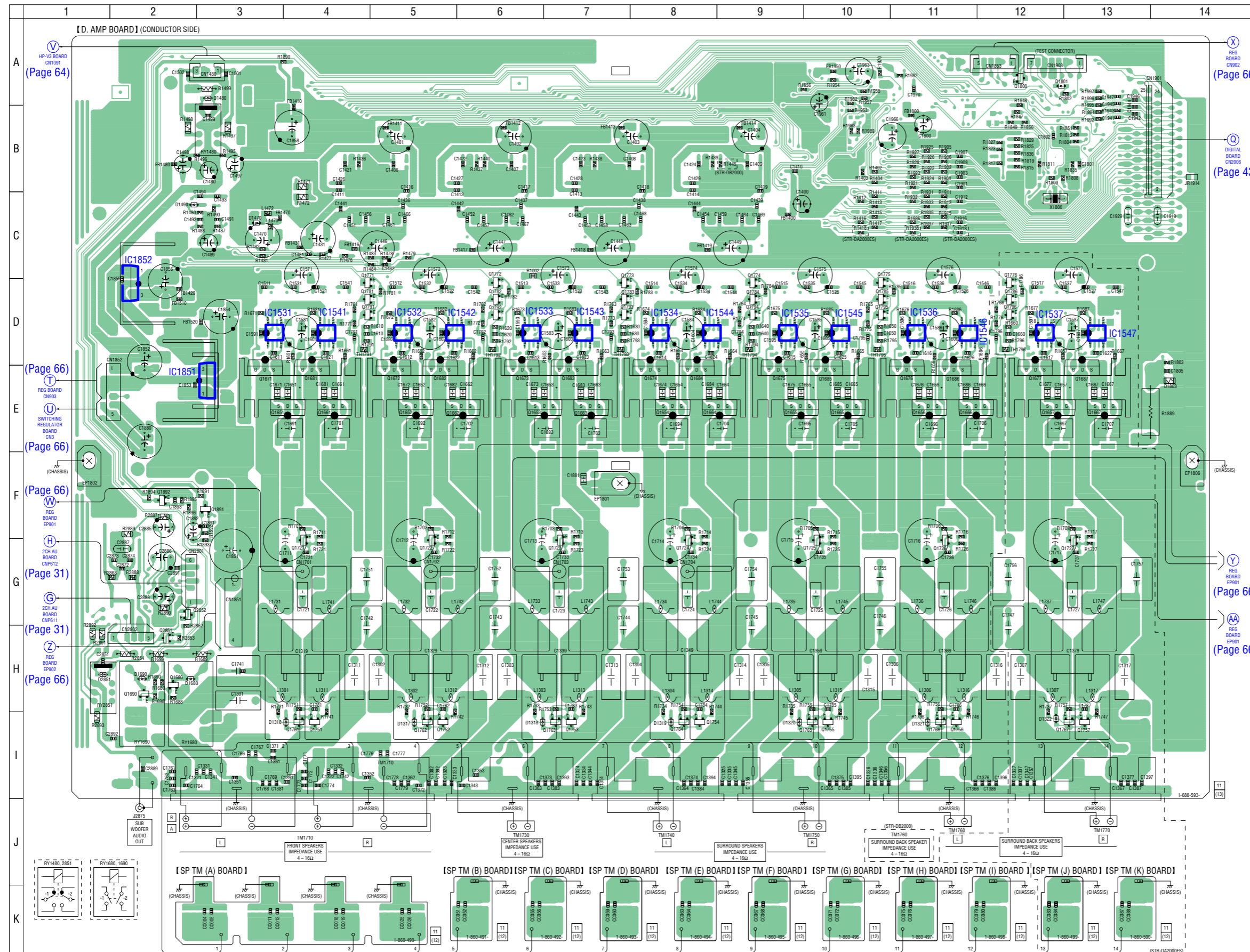
6-37. PRINTED WIRING BOARD – D. AMP Board (Component Side) – • See page 26 for Circuit Boards Location.  :Uses unleaded solder.



• Semiconductor Location

Ref. No.	Location
D1521	D-11
D1522	D-10
D1523	D-9
D1524	D-7
D1525	D-6
D1526	D-4
D1527	D-3
D1531	D-11
D1532	D-9
D1533	D-8
D1534	D-6
D1535	D-5
D1536	D-3
D1537	D-2
D1581	E-12
D1891	A-13
IC1400	B-5
IC1401	B-10
IC1402	B-9
IC1403	B-8
IC1404	B-6
IC1471	C-11
IC1481	C-12
IC1482	C-12
IC1511	D-11
IC1512	D-10
IC1513	D-8
IC1514	D-7
IC1515	D-6
IC1516	D-4
IC1517	D-3
IC1521	D-11
IC1522	D-9
IC1523	D-8
IC1524	D-6
IC1525	D-5
IC1526	D-3
IC1527	D-2
IC1800	B-2
IC1841	A-3
IC1853	B-12
IC1900	B-4
IC1910	C-4
IC1940	B-2
IC1950	B-5
IC1970	A-4
IC1980	A-5
IC2862	F-12
IC2863	F-13
Q1480	B-13

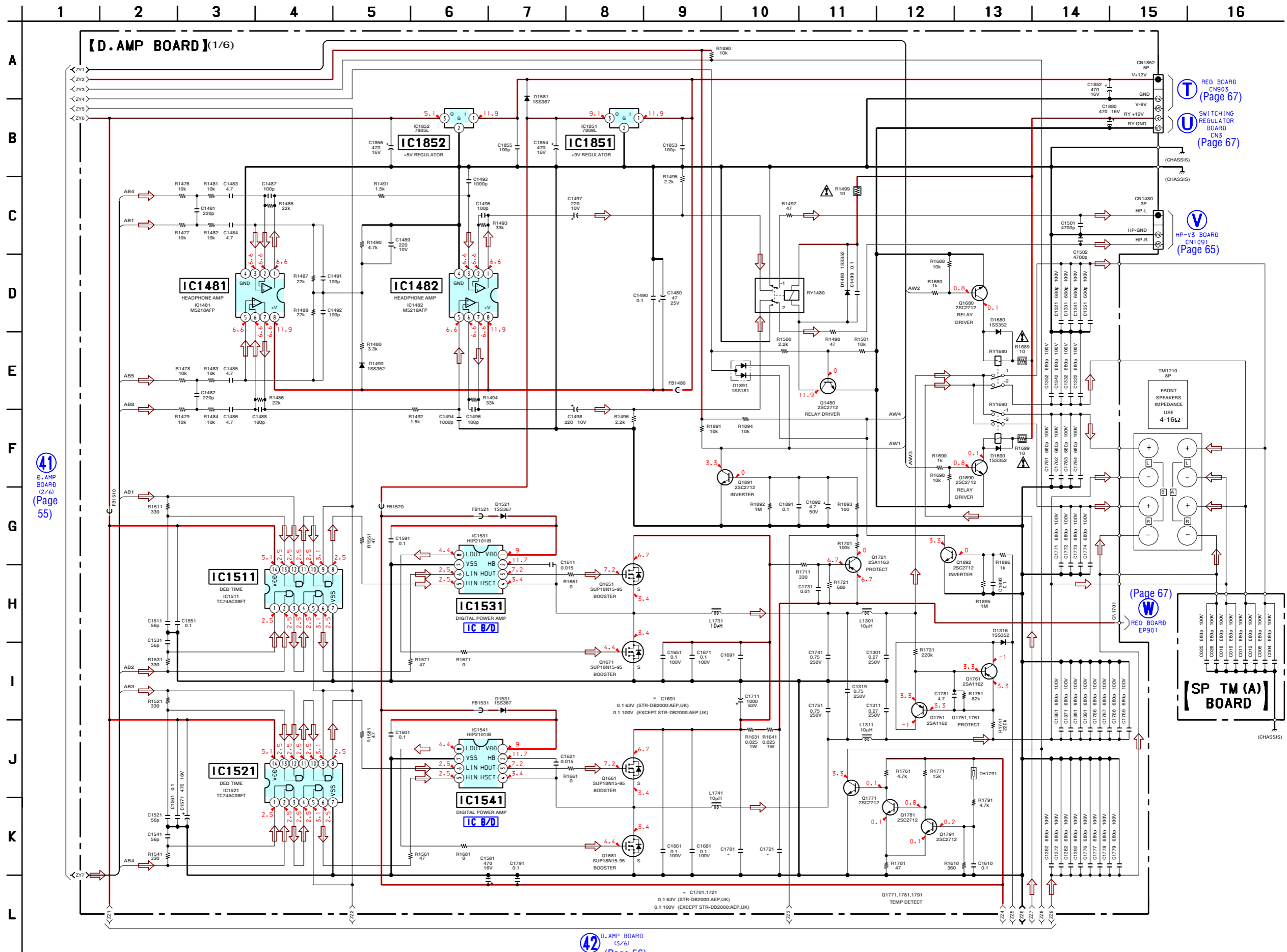
6-38. PRINTED WIRING BOARD – D. AMP Board (Conductor Side) – • See page 26 for Circuit Boards Location.  :Uses unleaded solder.



• Semiconductor Location

Ref. No.	Location	Ref. No.	Location
D1316	I-4	Q1680	H-2
D1317	I-5	Q1681	E-4
D1318	I-6	Q1682	E-5
D1319	I-8	Q1683	E-7
D1320	I-9	Q1684	E-8
D1321	I-11	Q1685	E-10
D1322	I-12	Q1686	E-11
D1470	C-3	Q1687	E-13
D1480	A-3	Q1690	H-2
D1490	C-2	Q1721	G-4
D1680	H-2	Q1722	G-5
D1690	H-2	Q1723	G-7
D1801	A-12	Q1724	G-8
D1803	E-14	Q1725	G-10
D2851	H-1	Q1726	G-11
		Q1727	G-13
IC1531	D-3	Q1751	I-4
IC1532	D-5	Q1752	I-5
IC1533	D-6	Q1753	I-7
IC1534	D-8	Q1754	I-8
IC1535	D-9	Q1755	I-10
IC1536	D-11	Q1756	I-11
IC1537	D-12	Q1757	I-13
IC1541	D-4	Q1761	I-4
IC1542	D-5	Q1762	I-5
IC1543	D-7	Q1763	I-7
IC1544	D-8	Q1764	I-8
IC1545	D-10	Q1765	I-10
IC1546	D-11	Q1766	I-11
IC1547	D-13	Q1767	I-13
IC1851	E-3	Q1771	D-4
IC1852	D-2	Q1772	D-6
		Q1773	D-7
Q1651	E-4	Q1774	D-9
Q1652	E-5	Q1775	D-10
Q1653	E-7	Q1776	D-12
Q1654	E-8	Q1781	D-4
Q1655	E-9	Q1782	D-6
Q1656	E-11	Q1783	D-7
Q1657	E-12	Q1784	D-9
Q1661	E-4	Q1785	D-10
Q1662	E-6	Q1786	D-12
Q1663	E-7	Q1791	D-4
Q1664	E-9	Q1792	D-6
Q1665	E-10	Q1793	D-7
Q1666	E-11	Q1794	D-9
Q1667	E-13	Q1795	D-10
Q1671	E-3	Q1796	D-12
Q1672	E-5	Q1800	A-12
Q1673	E-6	Q1891	F-3
Q1674	E-8	Q1892	F-2
Q1675	E-9	Q2851	H-2
Q1676	E-11	Q2852	G-2
Q1677	E-12		

6-39. SCHEMATIC DIAGRAM – D. AMP Section (1/6) – • See page 69 for IC Block Diagrams.



41 D. AMP BOARD (2/6) (Page 55)

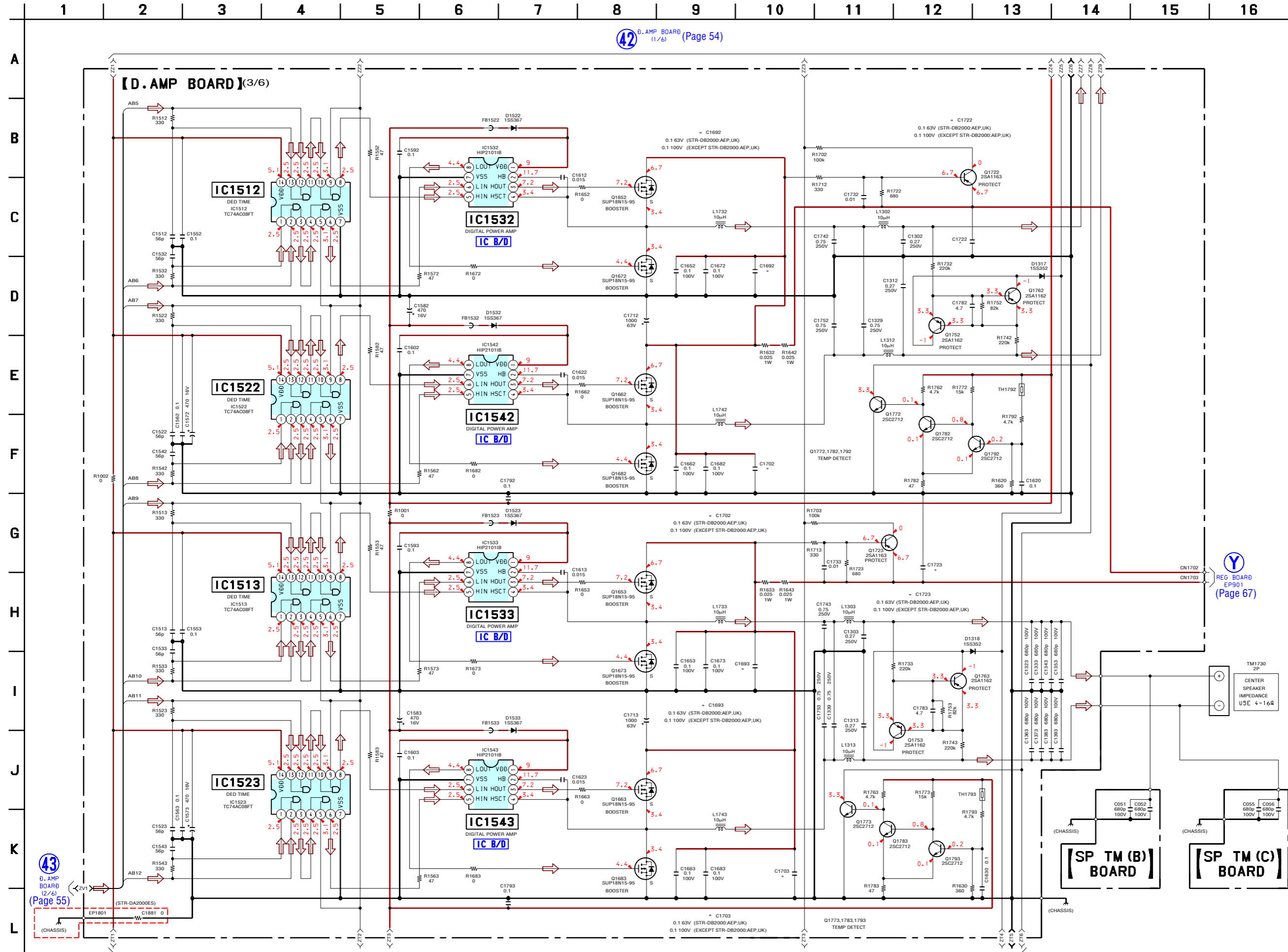
42 D. AMP BOARD (3/6) (Page 56)

The components identified by mark Δ or dotted line with mark Δ are critical for safety. Replace only with part number specified.

Les composants identifiés par une marque Δ sont critiques pour la sécurité. Ne les remplacer que par une pièce portant le numéro spécifié.



6-41. SCHEMATIC DIAGRAM – D. AMP Section (3/6) – • See page 69 for IC Block Diagrams.



42 D. AMP BOARD (1/6) (Page 54)

43 D. AMP BOARD (2/6) (Page 55)

46 D. AMP BOARD (5/6) (Page 58)

REG BOARD EP901 (Page 67)

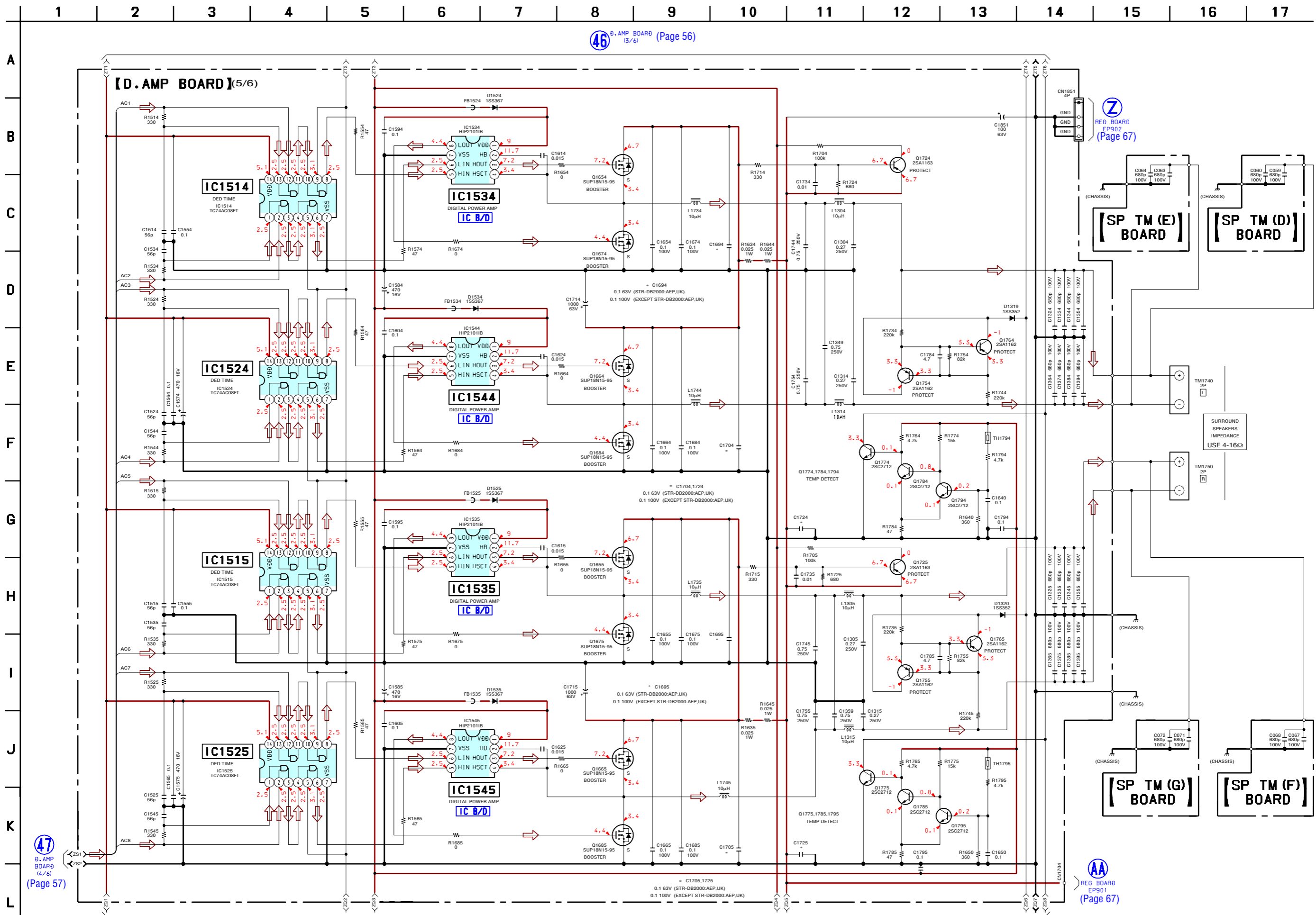
SP TM (B) BOARD

SP TM (C) BOARD





6-43. SCHEMATIC DIAGRAM – D. AMP Section (5/6) – • See page 69 for IC Block Diagrams.



46 B. AMP BOARD (3/6) (Page 56)

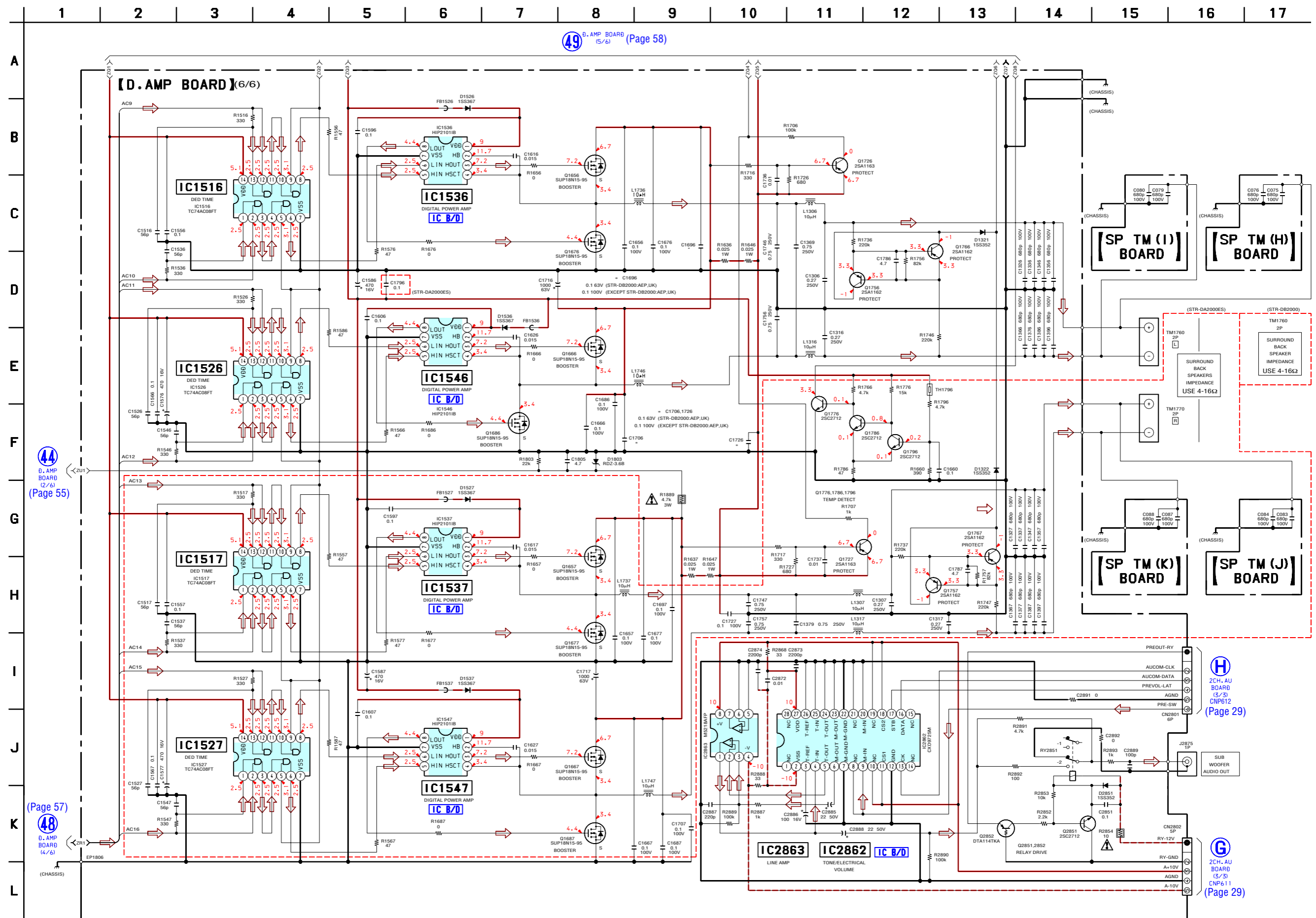
47 B. AMP BOARD (4/6) (Page 57)

49 B. AMP BOARD (6/6) (Page 59)

Z REG BOARD EP902 (Page 67)

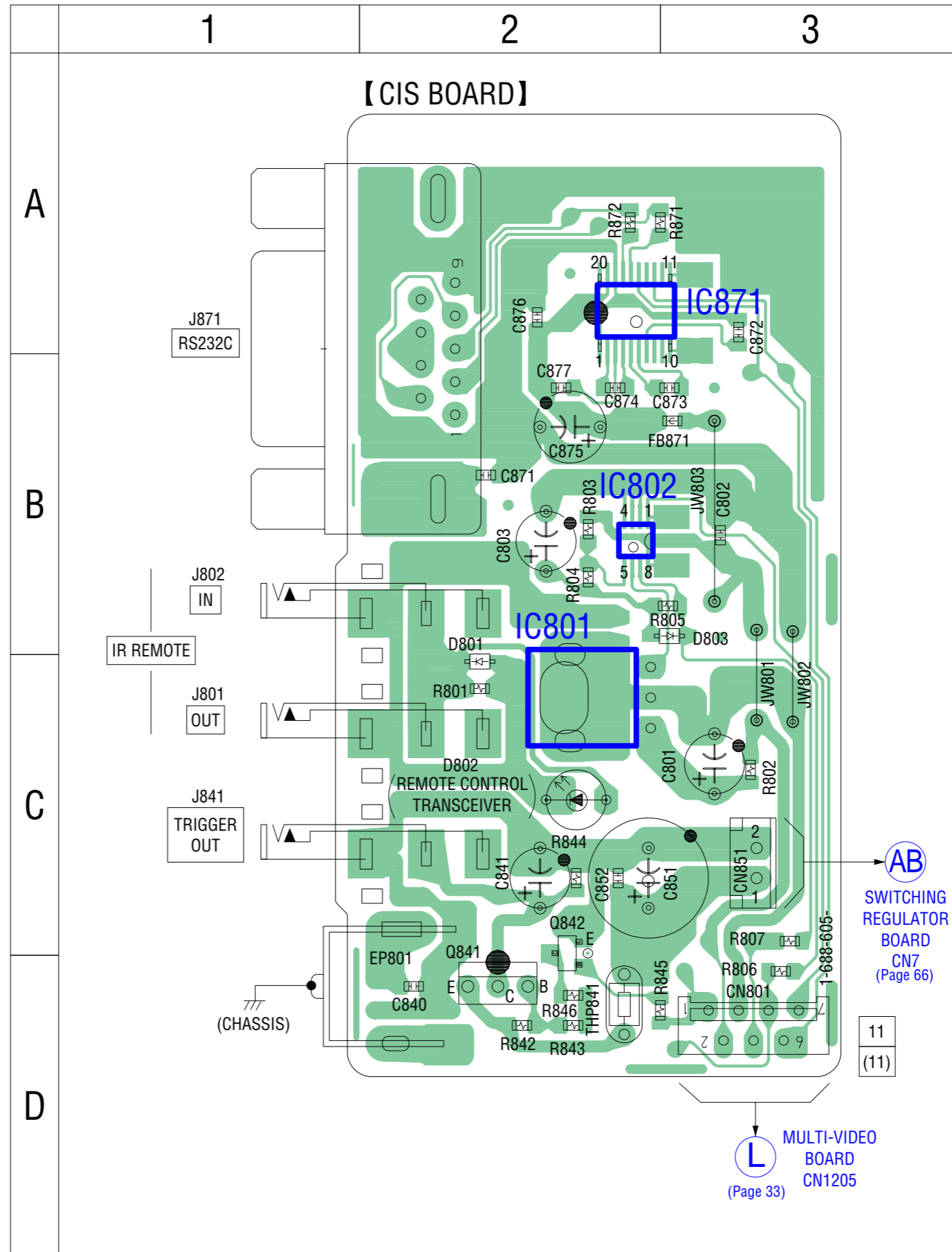
AA REG BOARD EP901 (Page 67)

6-44. SCHEMATIC DIAGRAM – D. AMP Section (6/6) – • See page 69 for IC Block Diagrams.

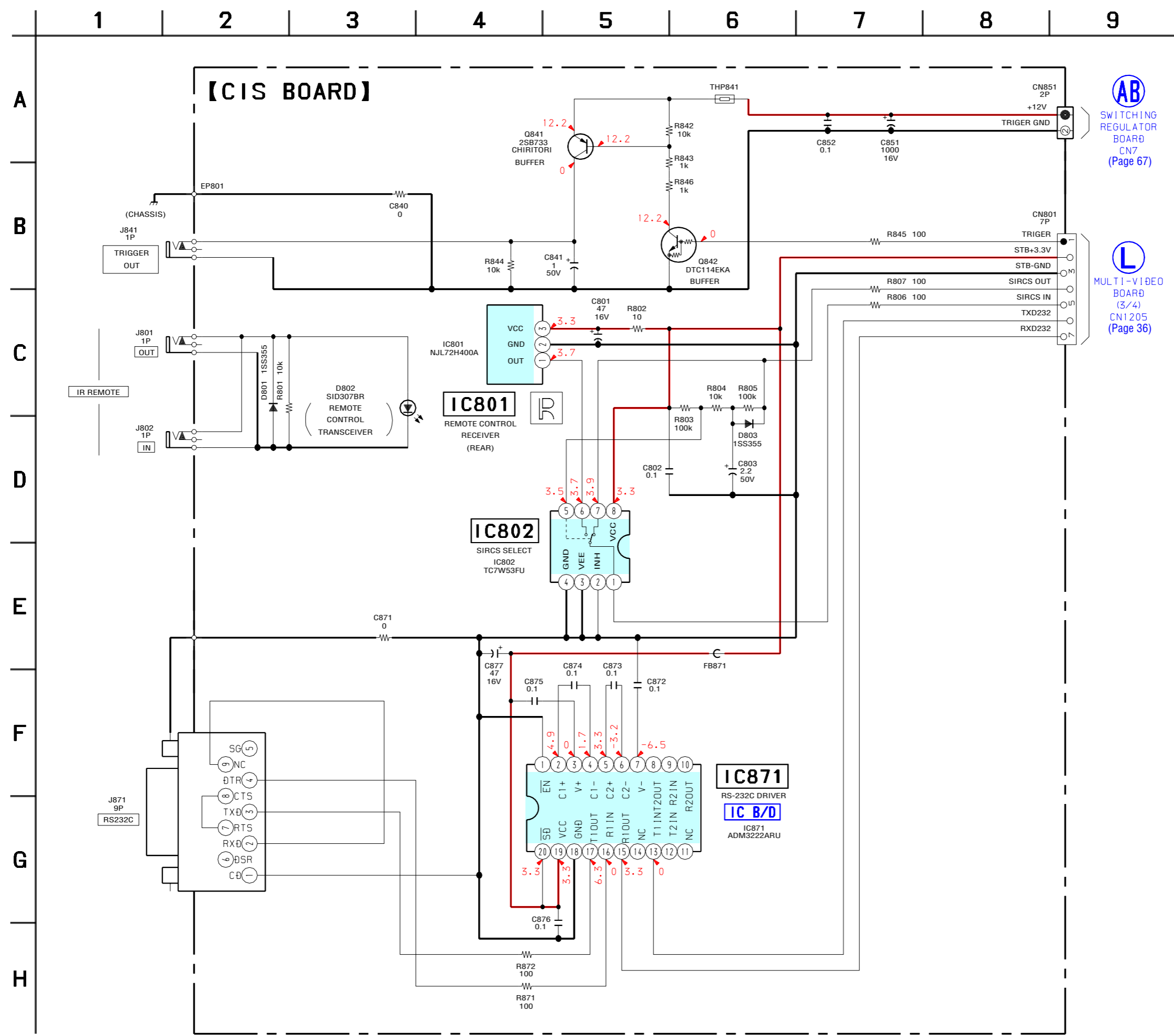


The components identified by mark  $\Delta$  or dotted line with mark  $\Delta$  are critical for safety. Replace only with part number specified.

Les composants identifiés par une marque  $\Delta$  sont critiques pour la sécurité. Ne les remplacer que par une pièce portant le numéro spécifié.




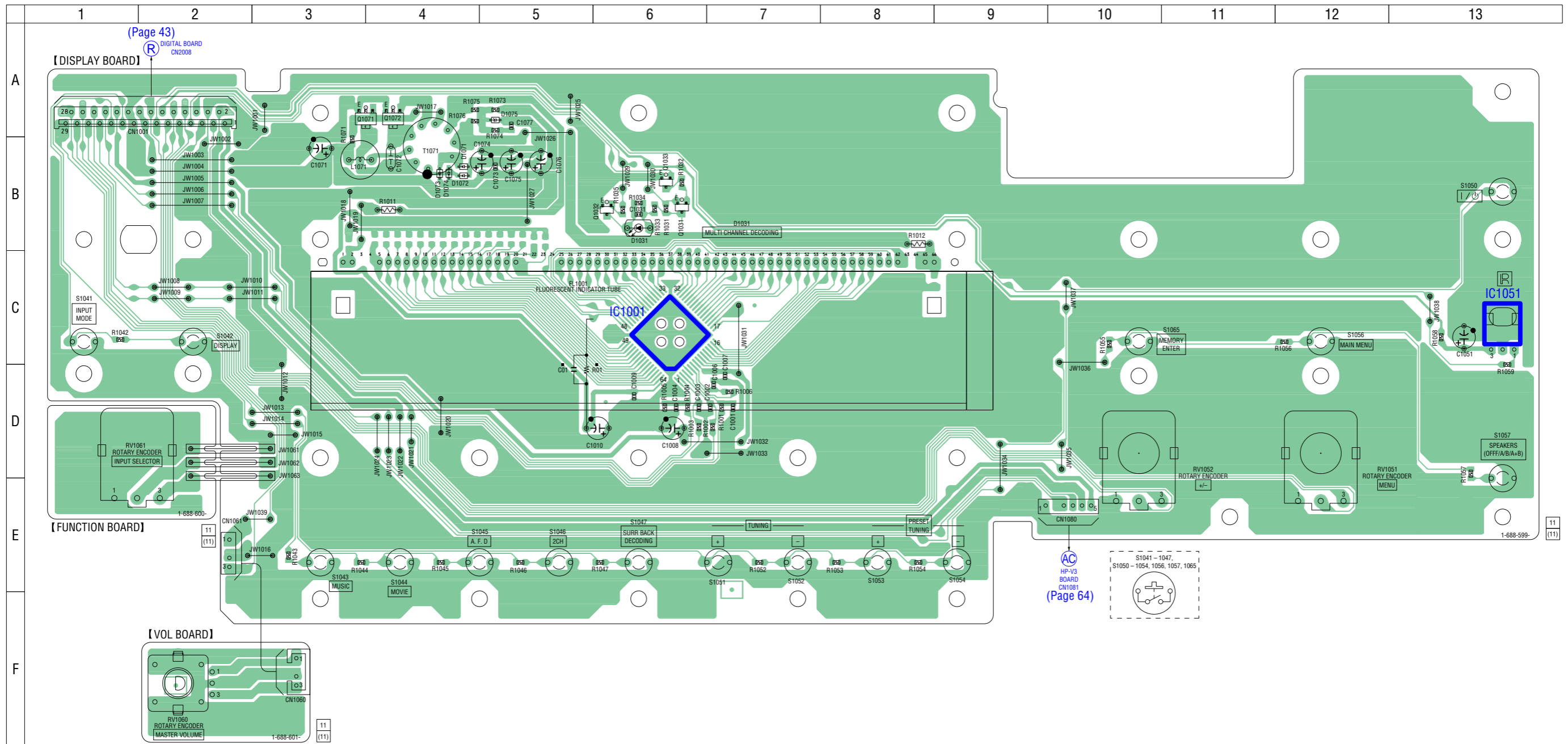
6-46. SCHEMATIC DIAGRAM – CIS Board (STR-DA2000ES only) – • See page 69 for IC Block Diagram.



**AB**  
SWITCHING  
REGULATOR  
BOARD  
CN7  
(Page 67)

**L**  
MULTI-VI DEO  
BOARD  
(3/4)  
CN1205  
(Page 36)

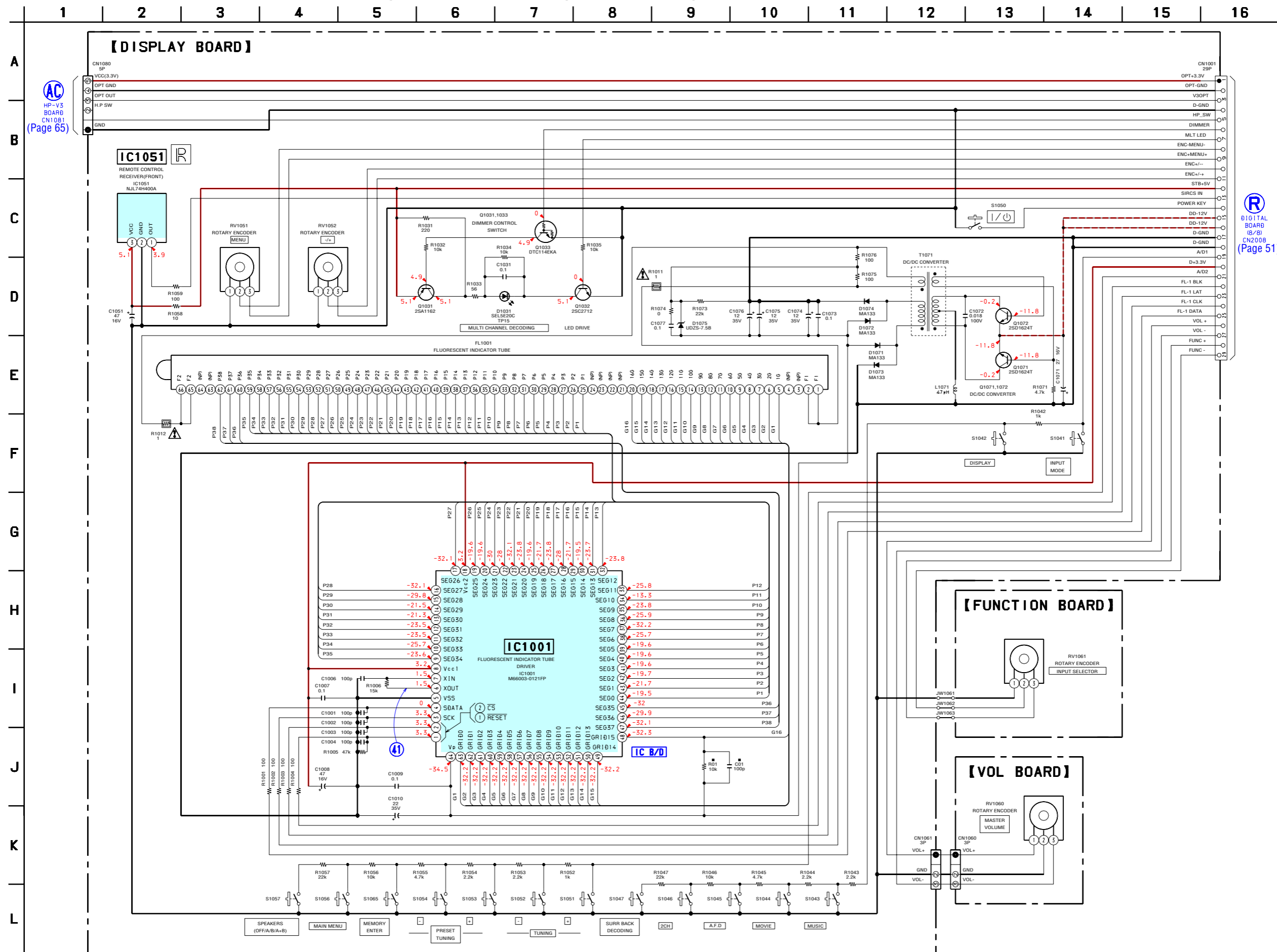
6-47. PRINTED WIRING BOARD – PANEL Section – • See page 26 for Circuit Boards Location.  :Uses unleaded solder.



• Semiconductor Location

Ref. No.	Location
D1031	B-6
D1071	B-4
D1072	B-4
D1073	B-4
D1074	B-4
D1075	A-5
IC1001	C-6
IC1051	C-13
Q1031	B-6
Q1032	B-6
Q1033	B-6
Q1071	A-4
Q1072	A-4

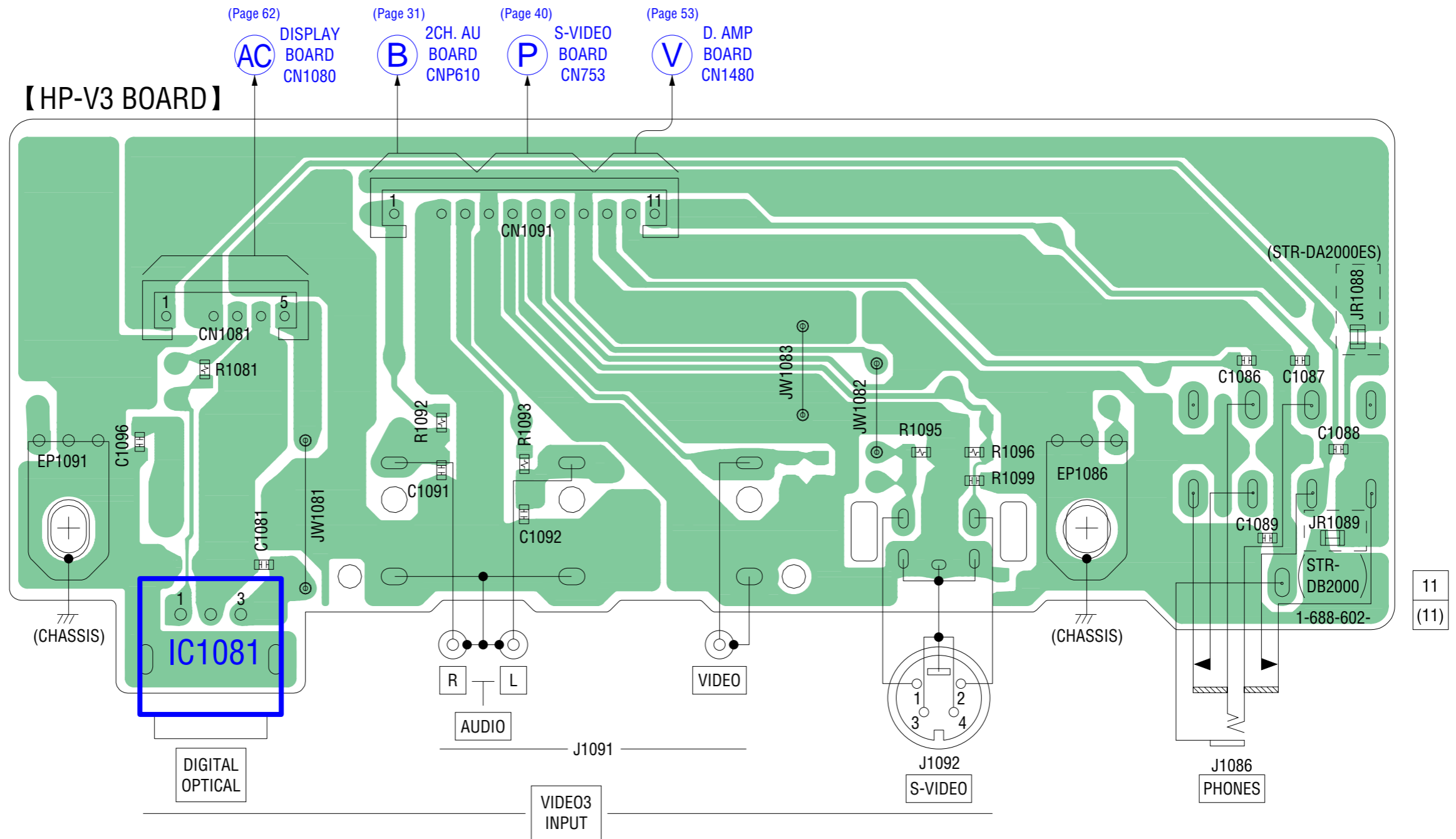
6-48. SCHEMATIC DIAGRAM – PANEL Section – • See page 68 for Waveform. • See Page 69 for IC Block Diagram.



The components identified by mark  $\triangle$  or dotted line with mark  $\triangle$  are critical for safety. Replace only with part number specified.

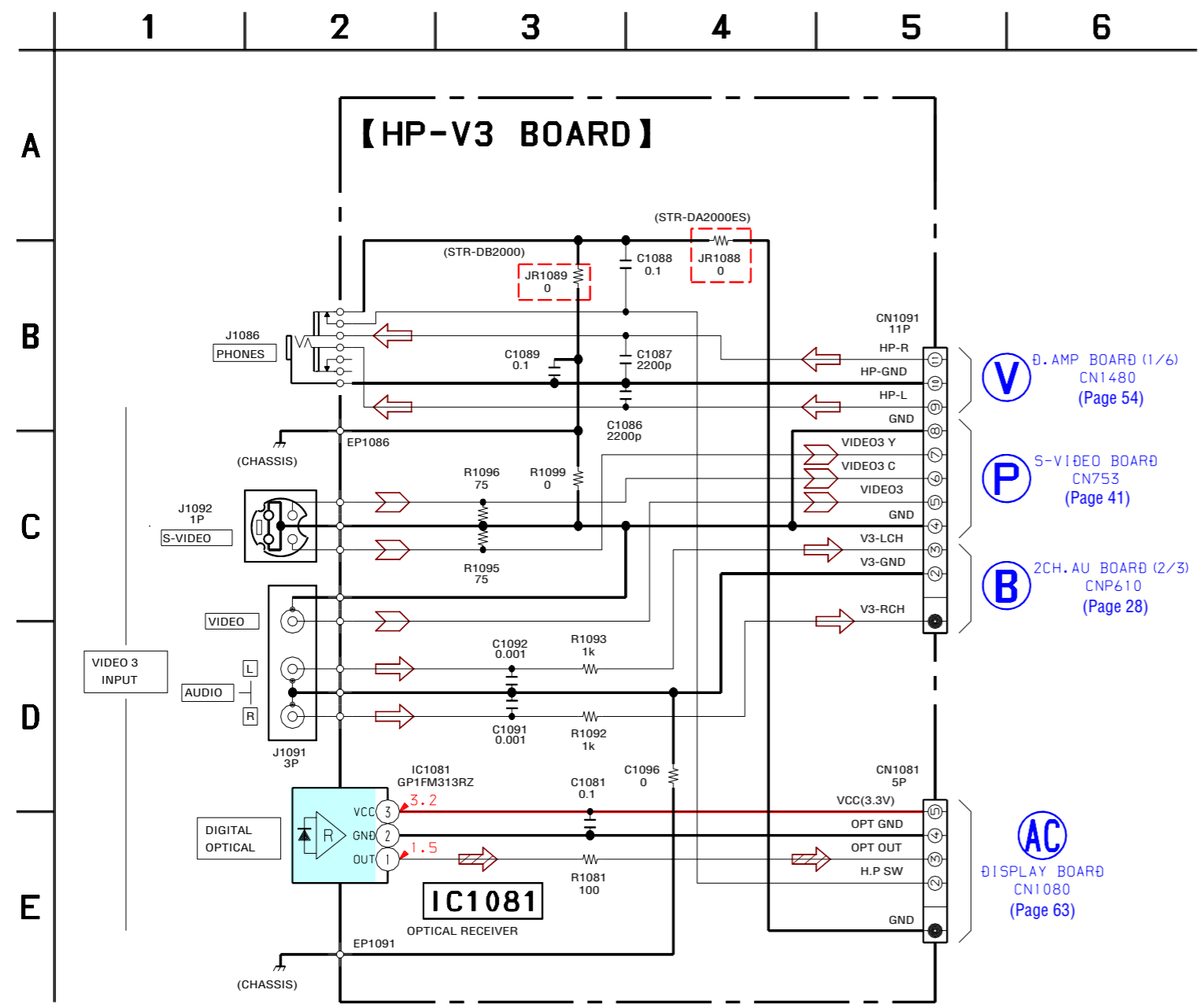
Les composants identifiés par une marque  $\triangle$  sont critiques pour la sécurité. Ne les remplacer que par une pièce portant le numéro spécifié.

6-49. PRINTED WIRING BOARD – HP-V3 Board – • See page 26 for Circuit Boards Location.  :Uses unleaded solder.

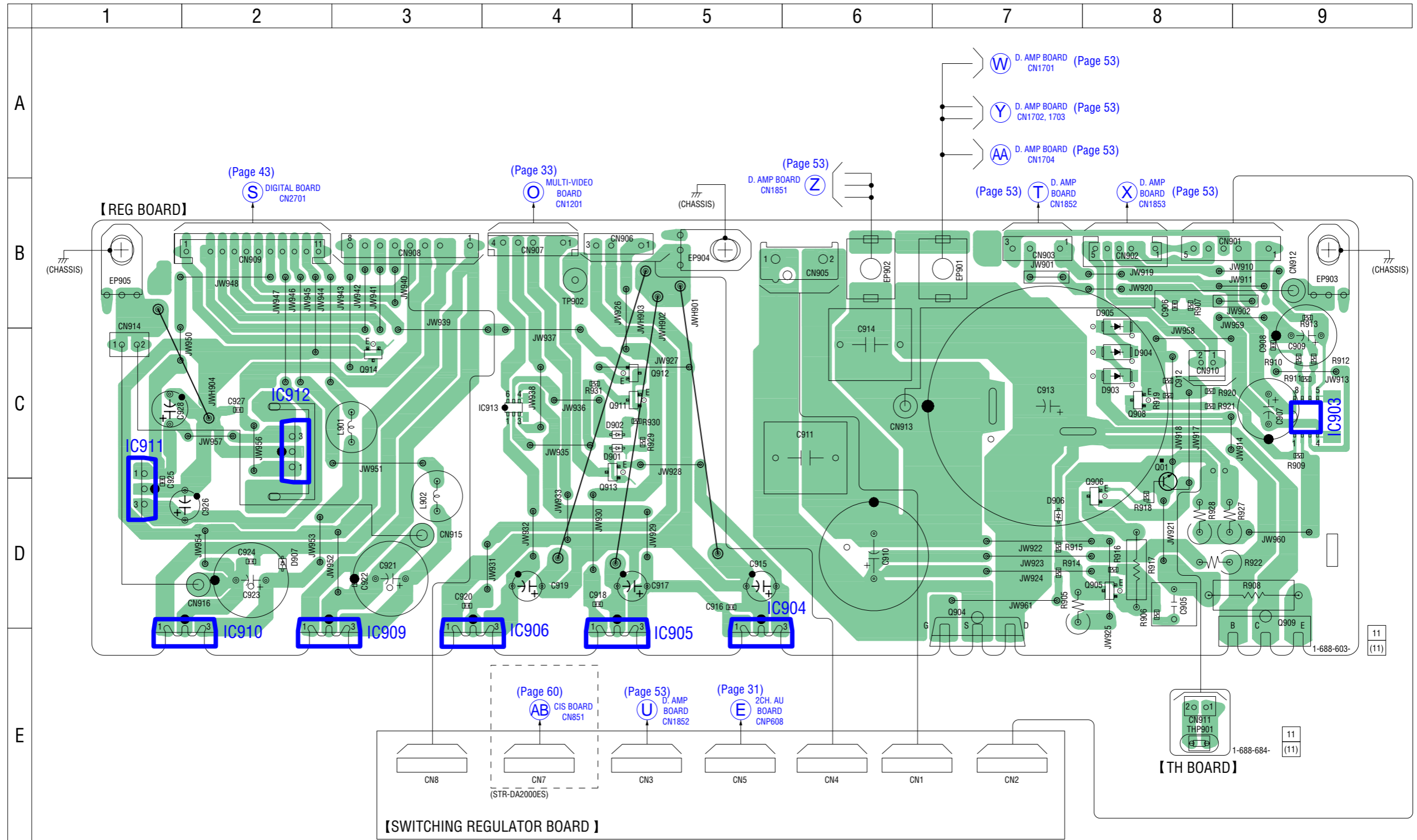




6-50. SCHEMATIC DIAGRAM – HP-V3 Board –



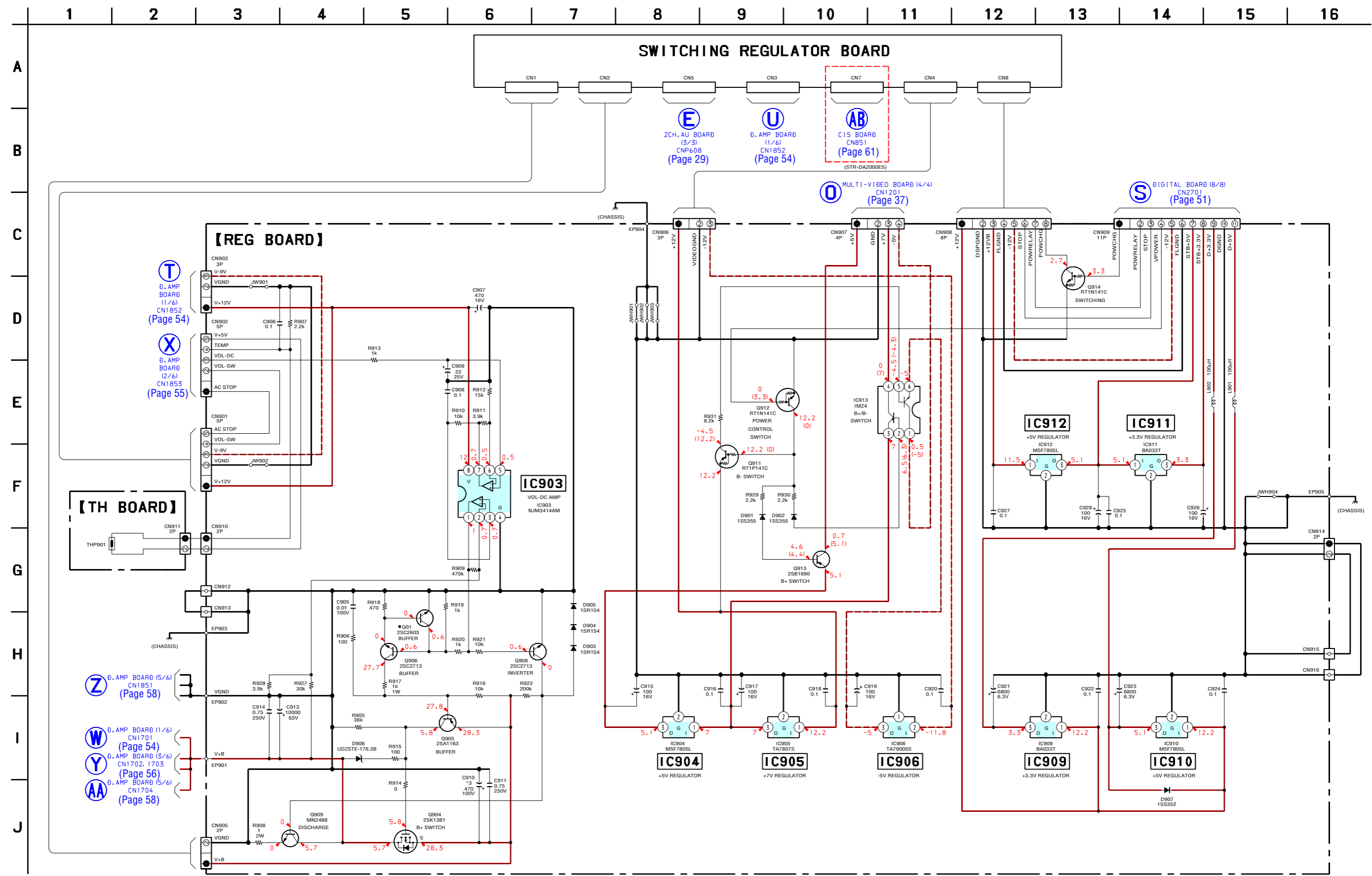
6-51. PRINTED WIRING BOARD – REG Board – • See page 26 for Circuit Boards Location.  :Uses unleaded solder.



• Semiconductor Location

Ref. No.	Location
D901	C-4
D902	C-4
D903	C-8
D904	C-8
D905	B-8
D906	D-7
D907	D-2
IC903	C-9
IC904	E-5
IC905	E-4
IC906	E-3
IC909	E-2
IC910	E-2
IC911	D-1
IC912	C-2
IC913	C-4
Q01	D-8
Q904	E-7
Q905	D-8
Q906	D-8
Q908	C-8
Q909	E-9
Q911	C-5
Q912	C-5
Q913	C-4
Q914	C-3

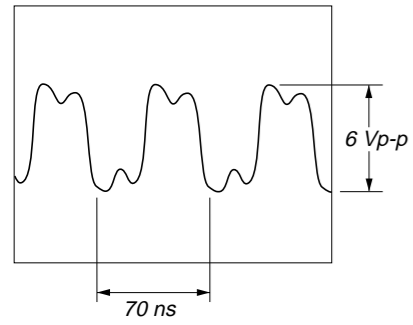
6-52. SCHEMATIC DIAGRAM – REG Board –



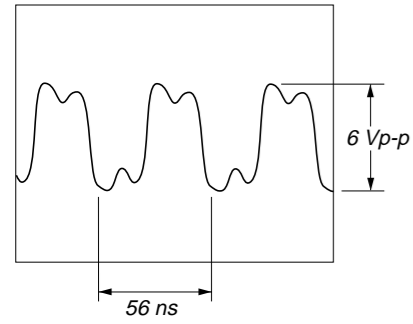
• Waveforms

– MULTI-VIDEO Board –

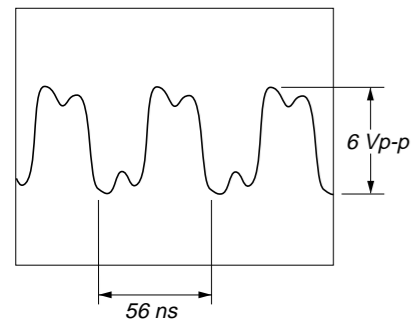
② IC1271 ⑤ (2Y) (VIDEO 1 mode)



② IC1271 ⑦ (1Y) (VIDEO 1 mode)

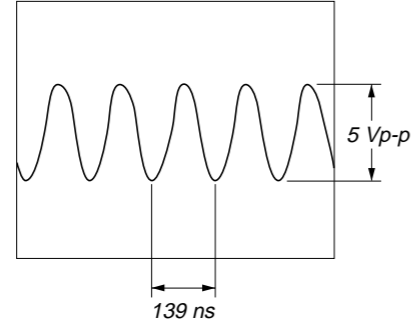


② IC1241 ⑥ (EXS) (VIDEO 1 mode)



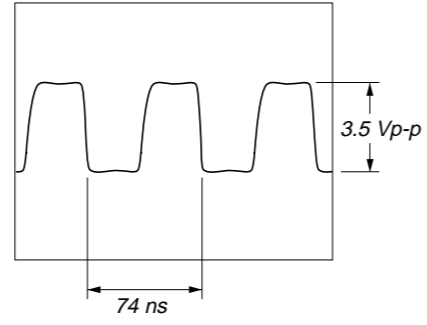
– UP CONVERT Board –

③ IC3101 ④ (XTAL) (VIDEO 1 mode)

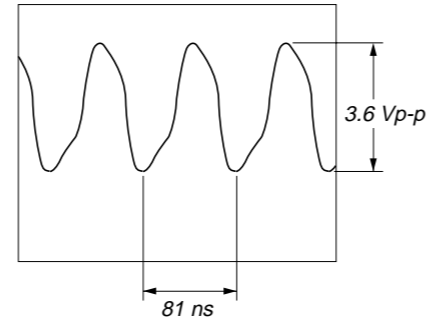


– DIGITAL Board –

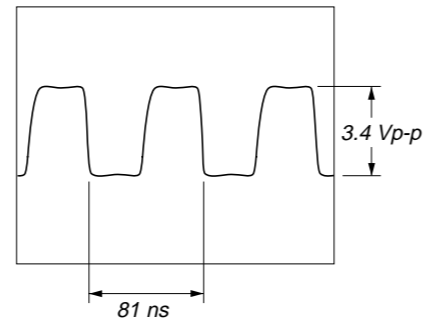
① IC2201 ⑫ (MCLK2)



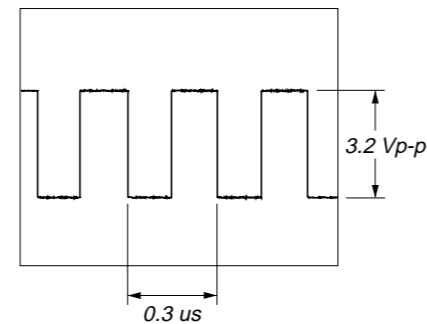
② IC2124 ④ (Y)



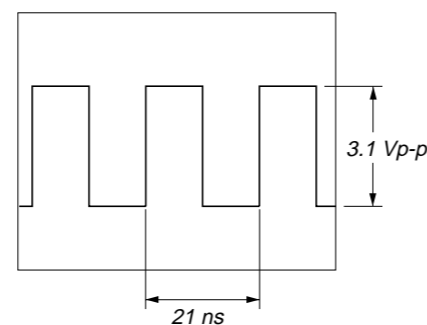
③ IC2121 ⑬ (CKOUT)



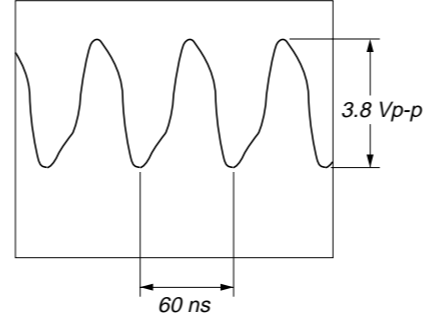
④ IC2121 ⑭ (BCK)



⑤ IC2121 ⑮ (LRCK)

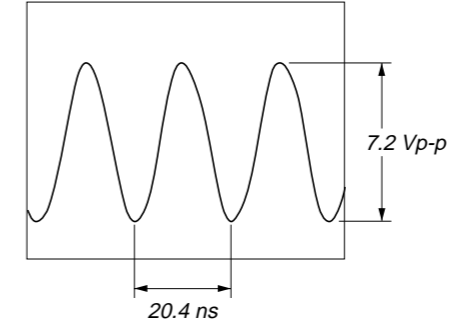


⑥ IC2601 ⑰

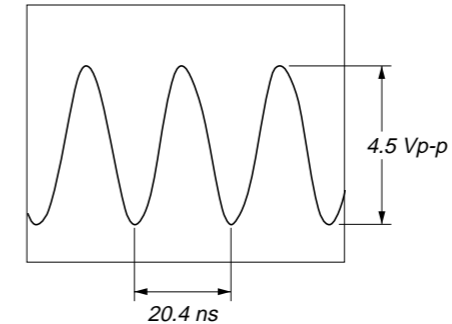


– D. AMP Board –

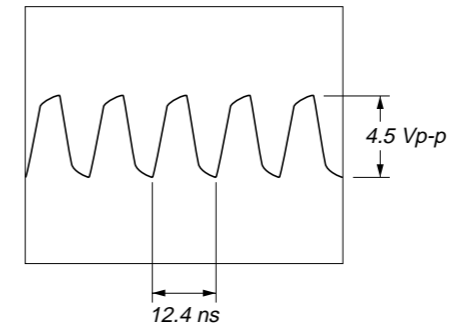
⑪ IC1471 ④ (Y)



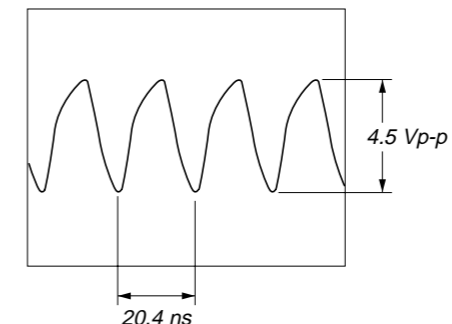
⑫ IC1401 ⑳ (XFSOIN)



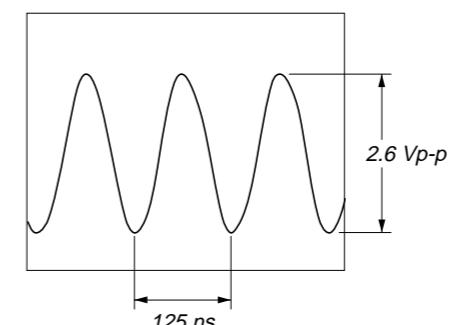
⑬ IC1401 ㉑ (XFSIIN)



⑭ IC1401 ㉒ (XFSOOUT)

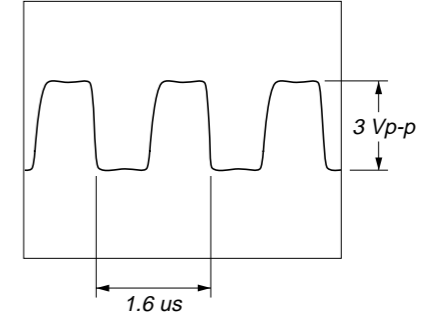


⑮ IC1800 ㉓ (XO)



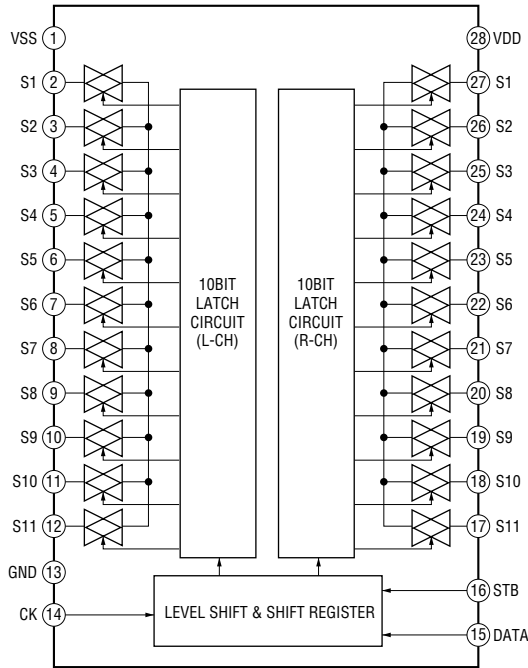
– DISPLAY Board –

④ IC1001 ⑥ (XOUT)

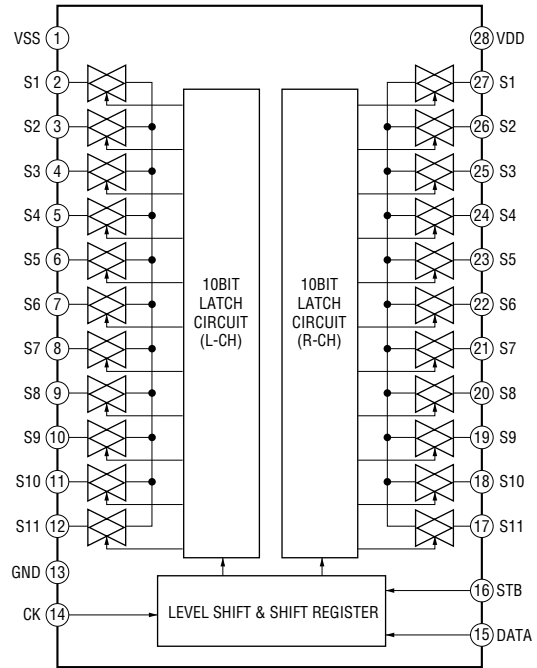


• IC Block Diagrams  
– 2CH. AU Board –

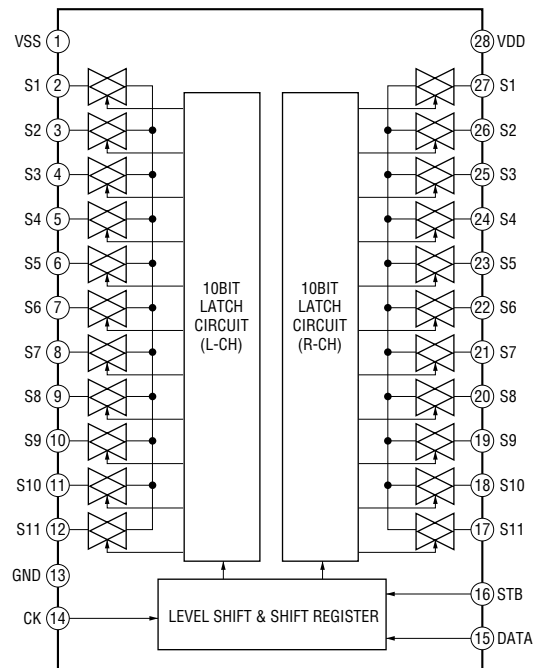
IC151 TC9273N-004



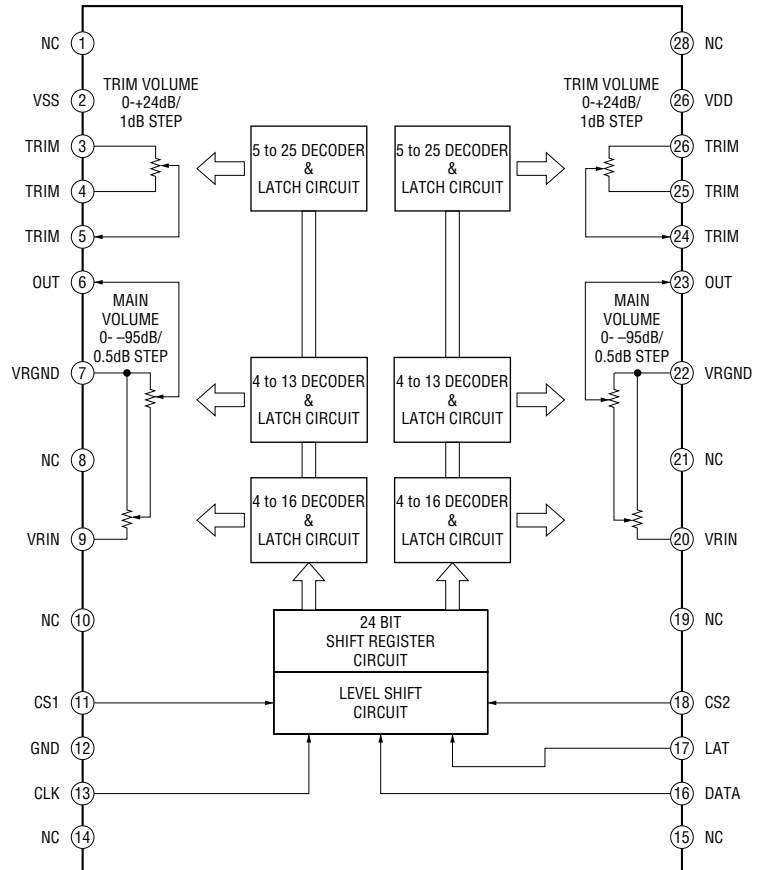
IC171 TC9273N-013



IC201 TC9273N-014



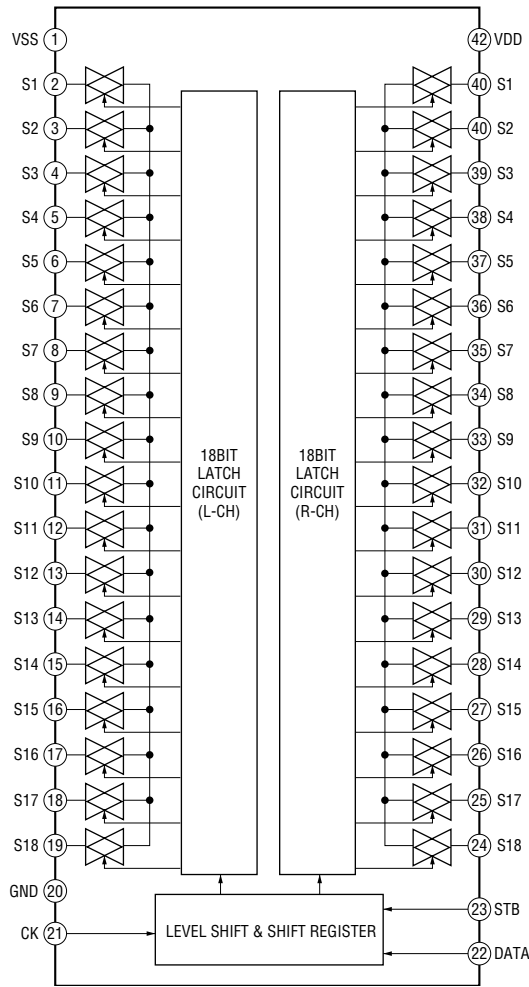
IC652 CXD9725M



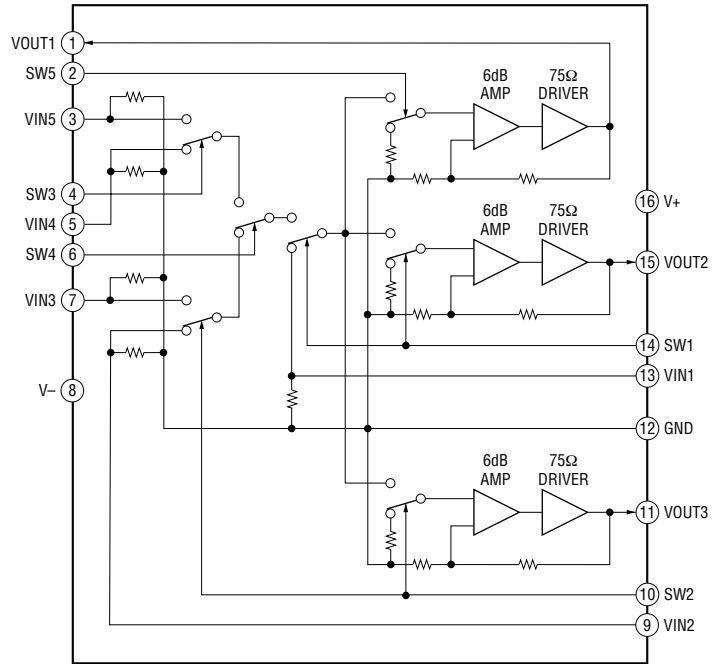
# STR-DA2000ES/DB2000

## - MULTI-VIDEO Board -

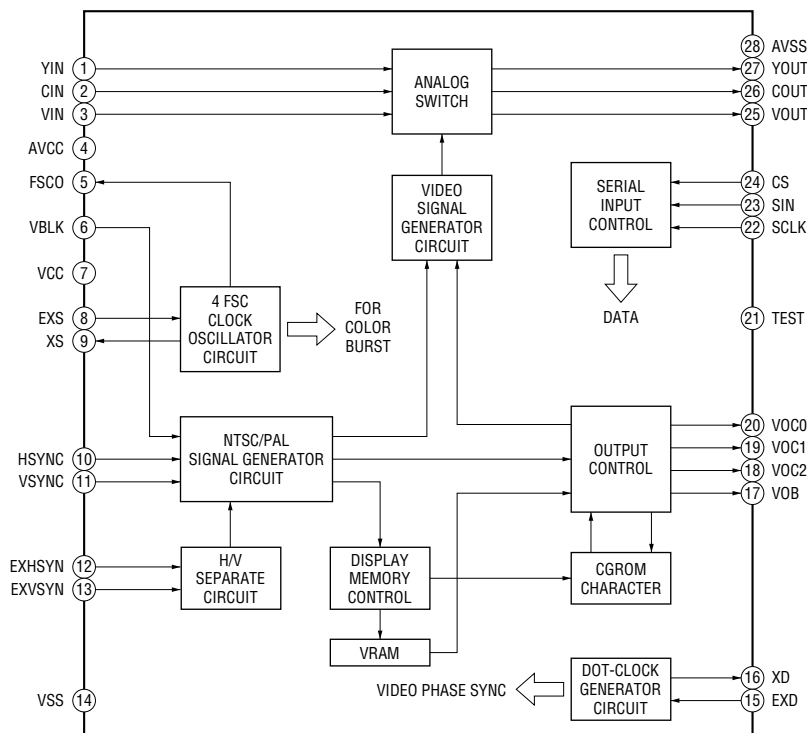
**IC326, 341 TC9274N-016**



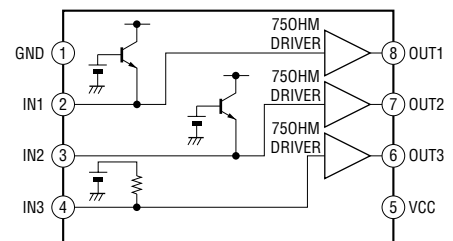
**IC1201 NJM2595M-TE2**



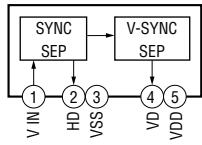
**IC1241 MB90089F-G-238-BND**



**IC1242 BA7622F-E2-A**

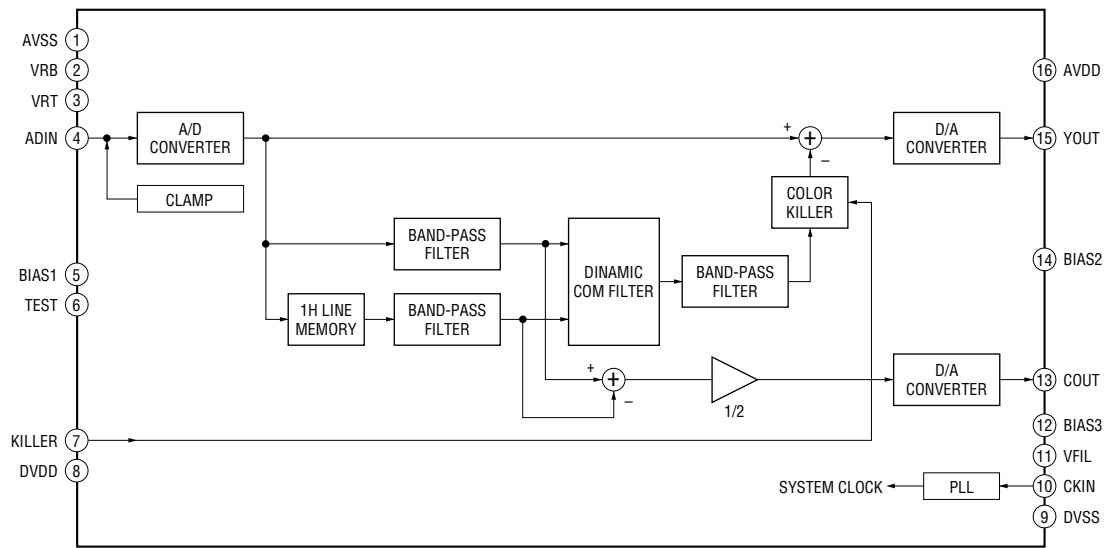


IC1281, 1282 LA7213

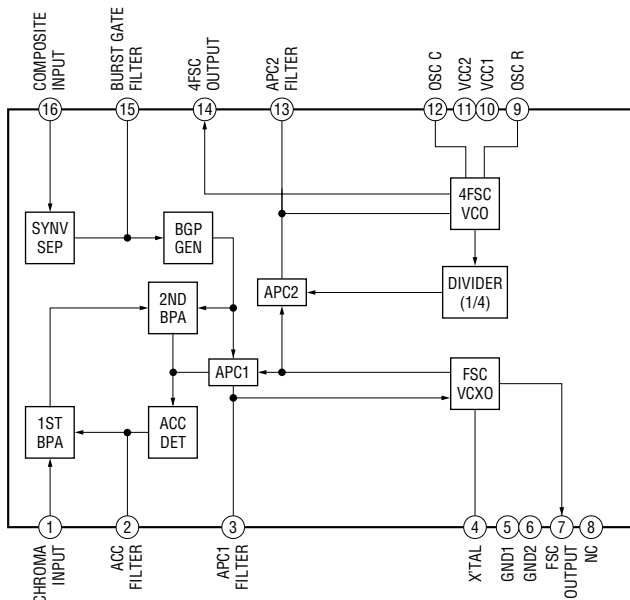


- UP CONVERT Board -

IC3100 TC90A45F



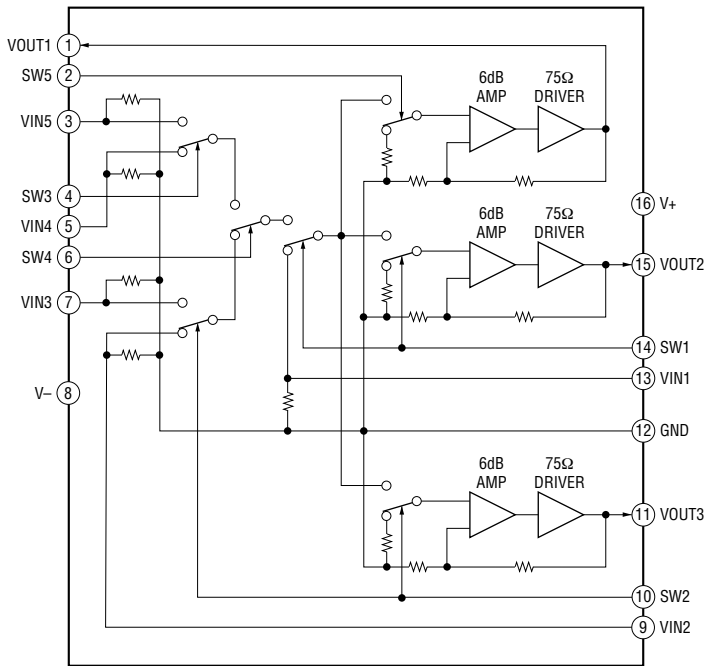
IC3101 MM1093NF



# STR-DA2000ES/DB2000

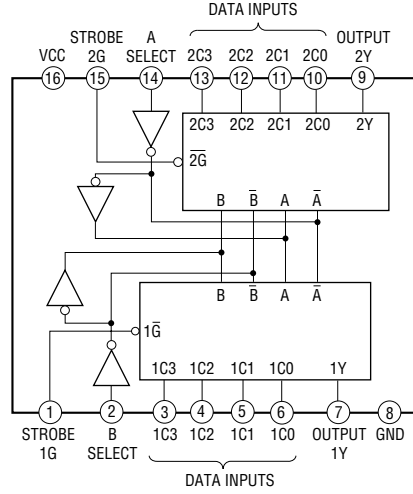
## - S-VIDEO Board -

IC701, 702 NJM2595M-TE2

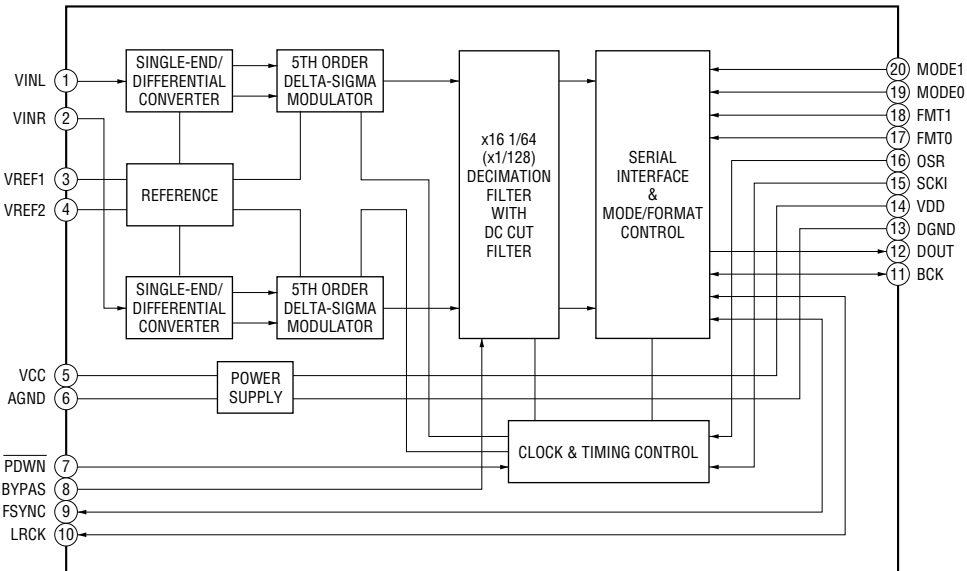


## - DIGITAL Board -

IC2005 SN74HC153ANS

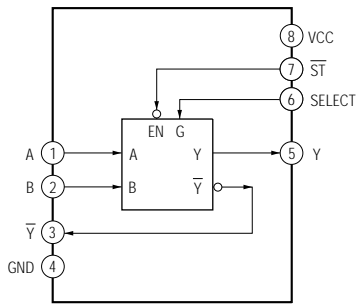


IC2010 PCM1802DBR

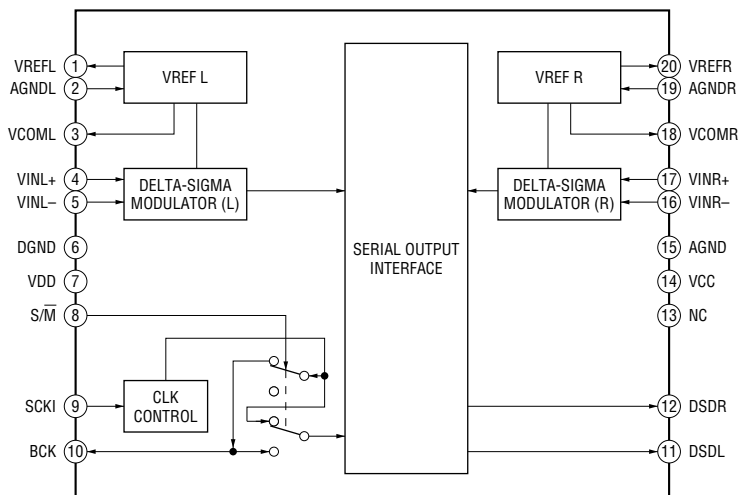




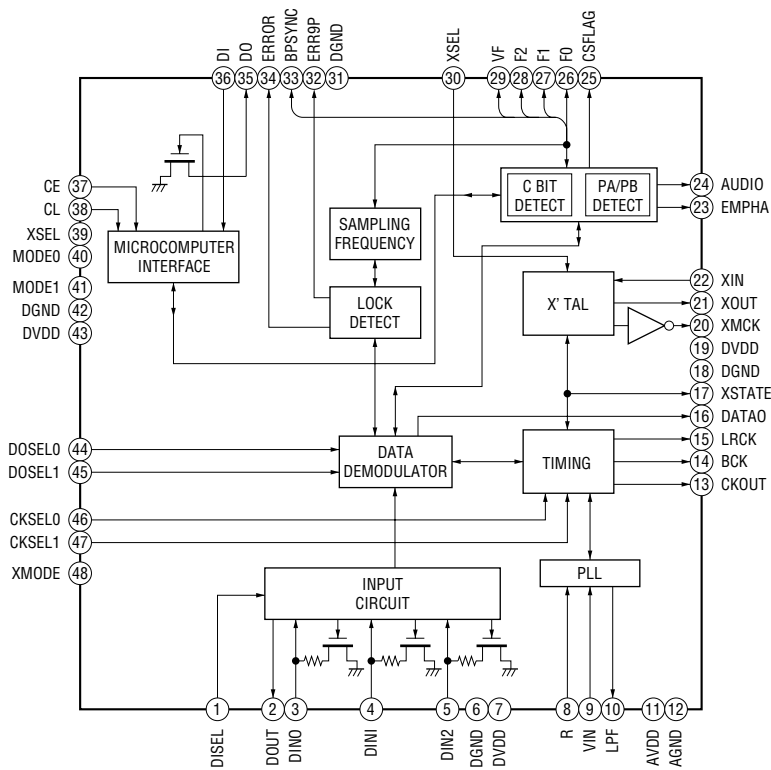
IC2011, 2207, 2431 TC7WH157FK (TE12R)



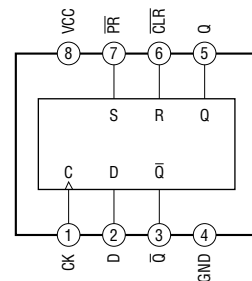
IC2012-2015 DSD1800DBR



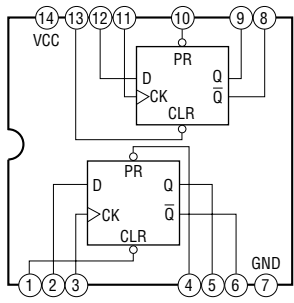
IC2121 LC89056W-E



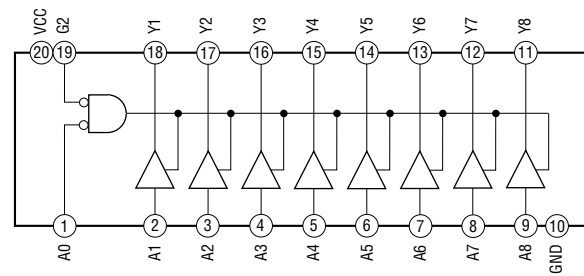
IC2402, 2430 TC7WH74FU (TE12R)



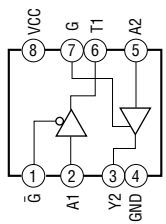
IC2429 TC74VHC74FT (EL)



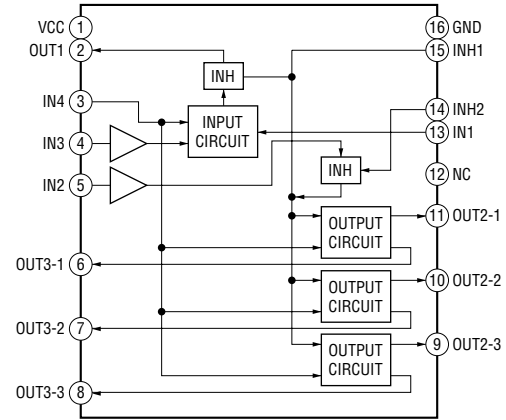
IC2501-2503 TC74AC541FT (EL)



IC2504 TC7W241FU-TE12R

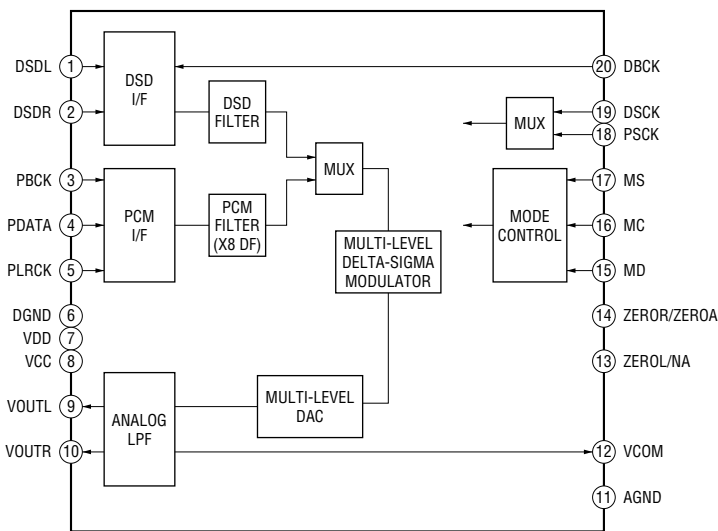


IC2735 NJM2145M-TE2

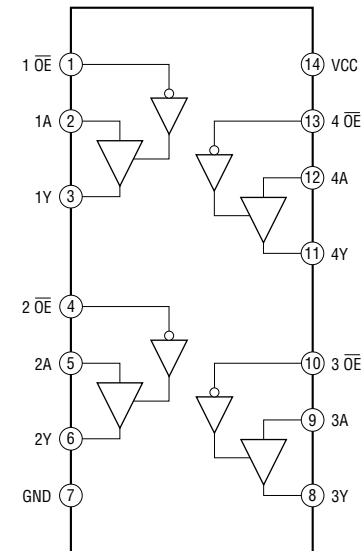


- D. AMP Board -

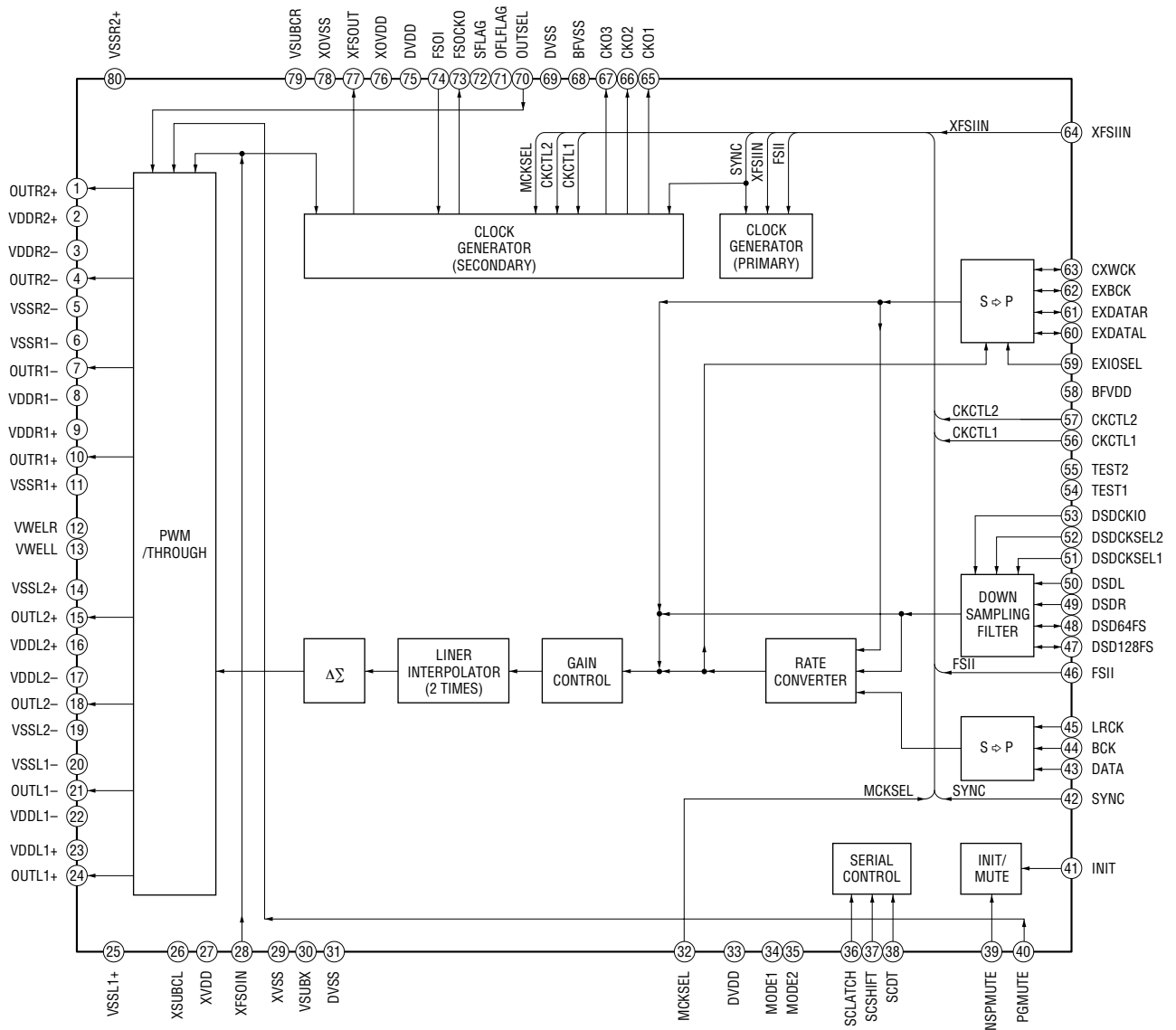
IC2800, 2801 DSD1751DBQR



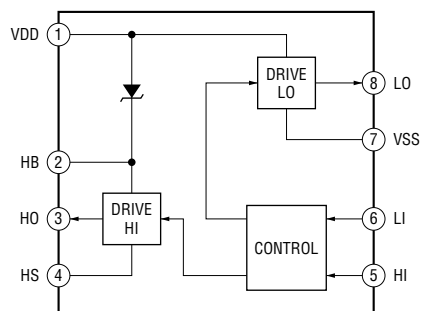
IC1400 TC74AC125FT (EL)



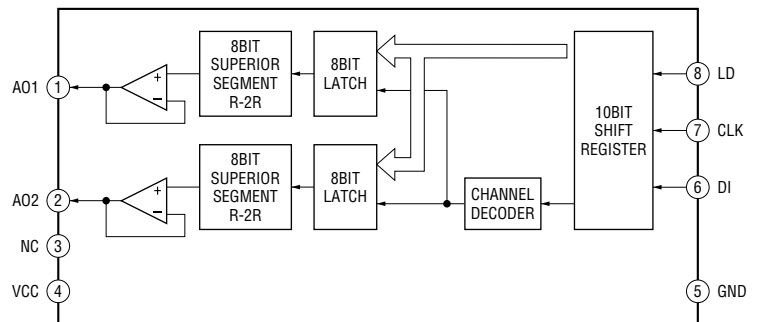
IC1401-1404 CDX9730Q



IC1531-1537, 1541-1547 HIP2101IBZT

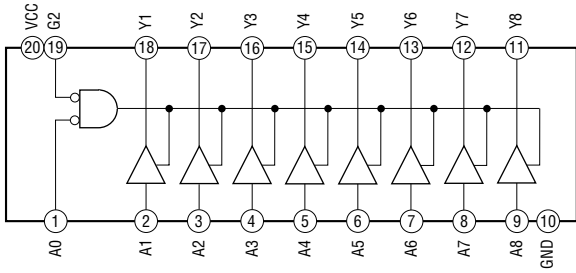


IC1841 M62342FP

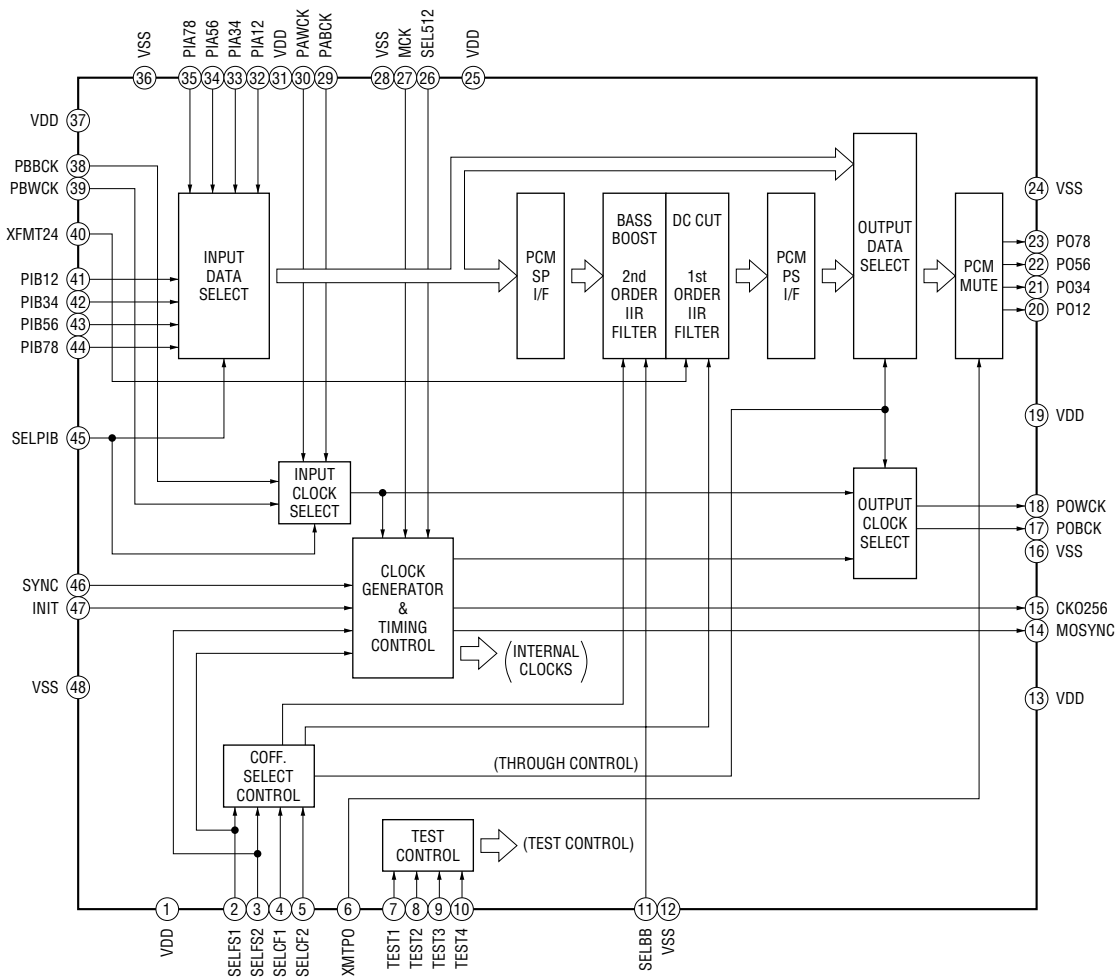


# STR-DA2000ES/DB2000

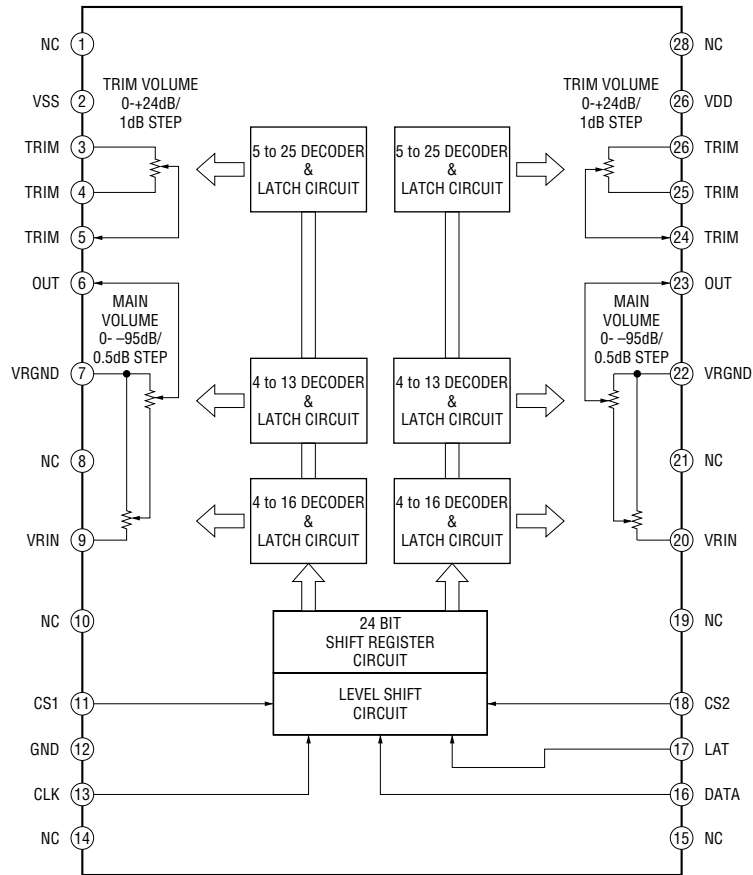
## IC1900, 1910, 1940 TC74VHC541FT (EL)



## IC1950 CXD9776AQ

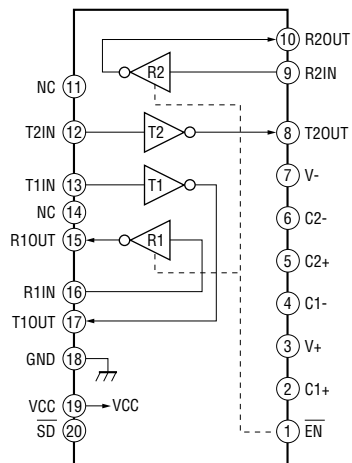


**IC2862 CXD9725M**



**- CIS Board -**

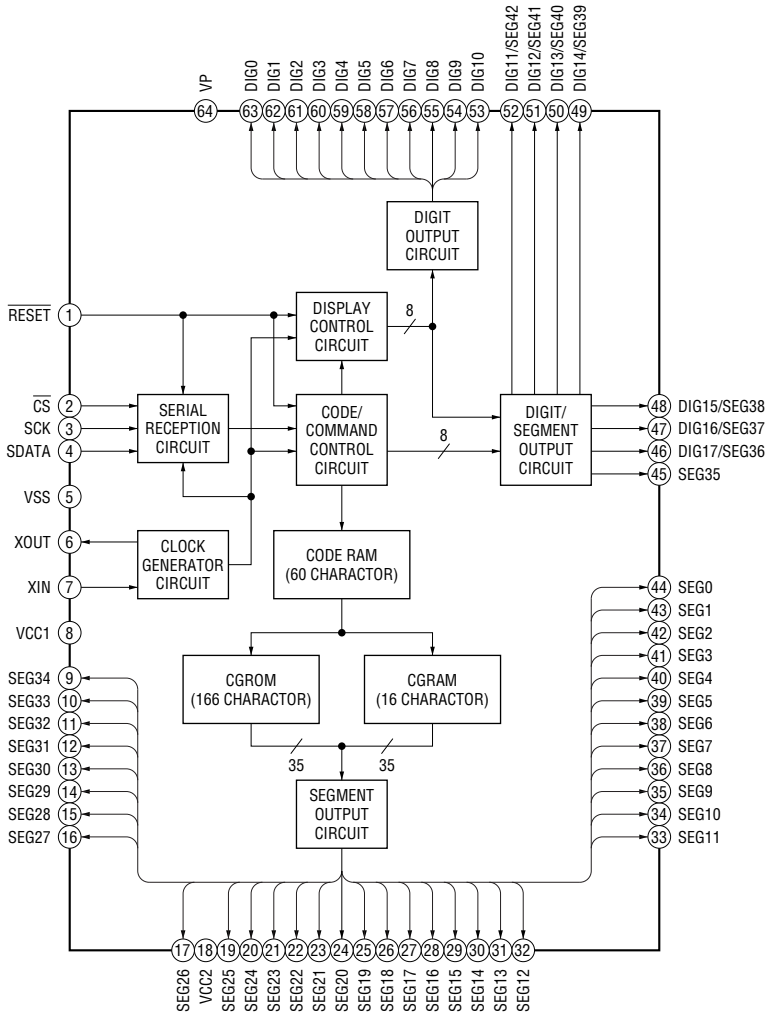
**IC871 ADM3222ARU-REEL**



# STR-DA2000ES/DB2000

## - DISPLAY Board -

IC1001 M66003-921FP



**6-53. IC PIN FUNCTION DESCRIPTION****• MULTI-VIDEO BOARD IC1241 MB90089F-G-238-BND (OSD DRIVER)**

Pin No.	Pin Name	I/O	Description
1	YIN	I	Y (luminance) signal input terminal
2	CIN	I	C (color) signal input terminal
3	VIN	I	Composite video signal input terminal
4	AVCC	—	Power supply terminal (+5V) (for analog system)
5	FSCO	O	Internal color burst phase display signal output terminal Not used
6	VBLK	O	Vertical blanking period signal output terminal Not used
7	VCC	—	Power supply terminal (+5V)
8	EXS	I	Input terminal from the clock generator for external color burst connected to crystal vibrator (NTSC: 14.31 MHz terminal, PAL: 17.734 MHz)
9	XS	O	Output terminal from the clock generator for external color burst connected to crystal vibrator (NTSC: 14.31 MHz, PAL: 17.734 MHz) Not used
10	HSYNC	O	Horizontal sync signal output terminal Not used
11	VSYNC	O	Vertical sync signal output terminal Not used
12	EXHSYN	I	External horizontal sync signal input terminal Not used
13	EXVSYN	I	External vertical sync signal input terminal Not used
14	VSS	—	Ground terminal
15	EXD	I	Dot clock generator connecting terminal for display
16	XD	O	Dot clock generator connecting terminal for display
17	VOB	O	Character and background period signal output terminal Not used
18 to 20	VOC2 to VOC0	O	Color signal output terminal Not used
21	TEST	I	Setting terminal for the test “L”: test (normally: fixed at “H”)
22	SCLK	I	Serial data transfer clock signal input from the main system controller
23	SIN	I	Serial data input from the main system controller
24	CS	I	Serial data latch pulse signal input from the main system controller
25	VOUT	O	Composite video signal output terminal
26	COUT	O	C (color) signal output terminal
27	YOUT	O	Y (luminance) signal output terminal
28	AVSS	—	Ground terminal (for analog system)

## • DIGITAL BOARD IC2201 CXD9718Q (DSP)

Pin No.	Pin Name	I/O	Description
1	VSS	—	Ground terminal
2	XRST	I	System reset signal input from the main system controller “L”: reset
3	EXTIN	I	Master clock signal input terminal Not used
4	LRCKI3	I	L/R sampling clock signal (44.1 kHz) input terminal Not used
5	VDDI	—	Power supply terminal (+2.6V)
6	BCKI1	I	Bit clock signal (2.8224 MHz) input terminal Not used
7	PLOCK	O	Internal PLL lock signal output terminal Not used
8	VSS	—	Ground terminal
9	MCLK1	I	System clock input terminal (13.5 MHz)
10	VDDI	—	Power supply terminal (+2.6V)
11	VSS	—	Ground terminal
12	MCLK2	O	System clock output terminal (13.5 MHz)
13	MS	I	Master/slave setting terminal “L”: internal clock, “H”: external clock Fixed at “L” in this set
14	SCKOUT	O	Internal system clock output terminal Not used
15	LRCKI1	I	L/R sampling clock signal (44.1 kHz) input from the A/D converter and digital audio interface receiver
16	VDDE	—	Power supply terminal (+3.3V)
17	BCKI1	I	Bit clock signal (2.8224 MHz) input from the A/D converter and digital audio interface receiver
18	SDI1	I	Audio serial data input from the A/D converter
19	LRCKO	O	L/R sampling clock signal (44.1 kHz) output terminal
20	BCKO	O	Bit clock signal (2.8224 MHz) output terminal
21	VSS	—	Ground terminal
22	KFSIO	I	Audio clock signal (12.288 MHz) input from the digital audio interface receiver
23 to 26	SDO1 to SDO4	O	Audio serial data output to the GPR
27	SPDIF	O	SPDIF signal output terminal Not used
28	LRCKI2	I	L/R sampling clock signal (44.1 kHz) input from the A/D converter and digital audio interface receiver
29	BCKI2	I	Bit clock signal (2.8224 MHz) input from the A/D converter and digital audio interface receiver
30	SDI2	I	Audio serial data input from the digital audio interface receiver
31	VSS	—	Ground terminal
32	HACN	O	Acknowledge signal output to the main system controller
33	HDIN	I	Serial data input from the main system controller
34	HCLK	I	Serial data transfer clock signal input from the main system controller
35	HDOOUT	O	Serial data output to the main system controller
36	HCS	I	Chip select input from the main system controller
37	GP12	I	Write signal input from the main system controller
38	GP13	O	Not used
39	GP14	O	Not used
40	VDDI	—	Power supply terminal (+2.6V)
41	VSS	—	Ground terminal
42	GP15	O	Not used
43	DQM/OE0	O	Output terminal of data input/output mask Not used
44	CS0	O	Chip select signal output to the S-RAM
45	WE0	O	Write enable signal output to the S-RAM



Pin No.	Pin Name	I/O	Description
46	VDDE	—	Power supply terminal (+3.3V)
47	WMD1	I	External memory wait mode setting terminal Fixed at “H” in this set
48	VSS	—	Ground terminal
49	WMD0	I	External memory wait mode setting terminal Fixed at “H” in this set
50	PAGE2	O	External memory page selection signal output terminal Not used
51	VSS	—	Ground terminal
52, 53	PAGE1, PAGE0	O	External memory page selection signal output terminal Not used
54	BOOT	I	Boot mode control signal input terminal Not used
55	TST1	O	Output terminal for the test Not used
56	BST	I	Boot strap signal input from the main system controller
57	MOD1	I	Operation mode setting terminal “L”: enhanced mode, “H”: normal mode Fixed at “H” in this set
58	MOD0	I	Operation mode setting terminal “L”: single chip mode, “H”: can not use Fixed at “L” in this set
59	EXLOCK	I	PLL lock error signal and data error flag input from the digital audio interface receiver
60	VDDI	—	Power supply terminal (+2.6V)
61	VSS	—	Ground terminal
62, 63	A17, A16	O	Address signal output terminal Not used
64 to 66	A15 to A13	O	Address signal output to the S-RAM
67	GP10	O	Not used
68	GP9	O	Read ready signal output to the main system controller
69	GP8	I	Channel status bit 1 input from the digital audio interface receiver
70	VDDI	—	Power supply terminal (+2.6V)
71	VSS	—	Ground terminal
72 to 75	D15 to D12	I/O	Two-way data bus with the S-RAM
76	VDDE	—	Power supply terminal (+3.3V)
77 to 80	D11 to D8	I/O	Two-way data bus with the S-RAM
81	VSS	—	Ground terminal
82 to 85	A9, A12 to A10	O	Address signal output to the S-RAM
86	TDO	O	Simplicity emulation data output terminal Not used
87	TMS	I	Simplicity emulation data input start and end terminal Not used
88	XTRST	I	Simplicity emulation non-sync break signal input terminal Not used
89	TCK	I	Simplicity emulation clock signal input terminal Not used
90	TDI	I	Simplicity emulation data input terminal Not used
91	VSS	—	Ground terminal
92 to 97	A8 to A3	O	Address signal output to the S-RAM
98, 99	D7, D6	I/O	Two-way data bus with the S-RAM
100	VDDI	—	Power supply terminal (+2.6V)
101	VSS	—	Ground terminal
102 to 105	D5 to D2	I/O	Two-way data bus with the S-RAM
106	VDDE	—	Power supply terminal (+3.3V)
107, 108	D1, D0	I/O	Two-way data bus with the S-RAM
109, 110	A2, A1	O	Address signal output to the S-RAM
111	VSS	—	Ground terminal
112	A0	O	Address signal output to the S-RAM
113	PM	I	PLL initialize signal input from the main system controller

## STR-DA2000ES/DB2000

Pin No.	Pin Name	I/O	Description
114, 115	SDI3, SDI4	I	Audio serial data input terminal Not used
116	SYNC	I	Sync/non-sync setting terminal “L”: sync, “H”: non-sync Fixed at “H” in this set
117	TST2	O	Output terminal for the test Not used
118	VSS	—	Ground terminal
119	TST2	O	Output terminal for the test Not used
120	VDDI	—	Power supply terminal (+2.6V)

## • DIGITAL BOARD IC2401 ISPLSI2032VE-110LTN44-MOD (GPR)

Pin No.	Pin Name	I/O	Description
1	EDGE	I	Clock signal input terminal
2	BCKIN	I	Bit clock signal (2.8224 MHz) input from the A/D converter
3	BCK2IN	I	Bit clock signal input terminal Not used
4	I/O	I/O	Not used
5	MCK	I	Audio clock signal (12.288 MHz) input from the digital audio interface receiver
6	VCC	—	Power supply terminal (+3.3V)
7	BSCAM	I	Boundary scan enable signal input terminal Not used
8	IN 0/TDI	I	Not used
9, 10	I/O	I/O	Not used
11	BCKAOUT	O	Not used
12	MCKOUT	O	System clock signal (2.8224 MHz) output to the PCM/PWM processor and D/A converter
13	DIOUT_8	O	Surround back R-ch audio signal output the PCM/PWM processor (US and canadian models only)
14	DIOUT_7	O	Surround back L-ch audio signal output the PCM/PWM processor
15	DIOUT_6	O	Surround R-ch audio signal output the PCM/PWM processor
16	DIOUT_5	O	Surround L-ch audio signal output the PCM/PWM processor
17	GND	—	Ground terminal
18	IN 1/TDO	I/O	Not used
19	DIOUT_4	O	Sub woofer audio signal output the PCM/PWM processor and D/A converter
20	DIOUT_3	O	Center audio signal output the PCM/PWM processor and D/A converter
21	DIOUT_2	O	Front R-ch audio signal output the PCM/PWM processor and D/A converter
22	DIOUT_1	O	Front L-ch audio signal output the PCM/PWM processor and D/A converter
23 to 26	I/O	I/O	Not used
27	Y2/TCK	I	Not used
28	VCC	—	Power supply terminal (+3.3V)
29	Y1/RESET	I	Reset signal input terminal Not used
30	TMS	I	Not used
31	DATAEN	I	Not used
32	CLKSEL	I	Not used
33	FS	I	Clock signal input terminal Not used
34	I/O	I/O	Not used
35	DATA_1	I	Front L-ch audio signal input from the A/D converter
36	DATA_2	I	Front R-ch audio signal input from the A/D converter
37	DATA_3	I	Surround L-ch audio signal input from the A/D converter
38	DATA_4	I	Surround R-ch audio signal input from the A/D converter
39	GND	—	Ground terminal
40	GOE0	—	Global output enable signal input terminal Not used
41	DATA_5	I	Center audio signal input from the A/D converter
42	DATA_6	I	Sub woofer audio signal input from the A/D converter
43	DATA_7	I	Surround back L-ch audio signal input from the A/D converter
44	DATA_8	I	Surround back R-ch audio signal input from the A/D converter (STR-DA2000ES only)

## • DIGITAL BOARD IC2426 ISPLSI2032VE-110LTN44-MOD (GPR)

Pin No.	Pin Name	I/O	Description
1	EDGE	I	Clock signal input terminal
2	BCKIN	I	Bit clock signal (2.8224 MHz) input from the A/D converter
3	BCK2IN	I	Bit clock signal input terminal Not used
4	I/O	I/O	Not used
5	MCK	I	Audio clock signal (12.288 MHz) input from the digital audio interface receiver
6	VCC	—	Power supply terminal (+3.3V)
7	BSCAM	I	Boundary scan enable signal input terminal Not used
8	IN 0/TDI	I	Not used
9, 10	I/O	I/O	Not used
11	BCKAOUT	O	Not used
12	MCKOUT	O	System clock signal (2.8224 MHz) output to the DC cut digital filter and D/A converter
13 to 16	DIOUT_8 to DIOUT_5	O	Audio signal output terminal Not used
17	GND	—	Ground terminal
18	IN 1/TDO	I/O	Not used
19	DIOUT_4	O	Audio serial data output the DC cut digital filter
20	DIOUT_3	O	Audio serial data output the DC cut digital filter and D/A converter
21	DIOUT_2	O	Audio serial data output the DC cut digital filter
22	DIOUT_1	O	Audio serial data output the DC cut digital filter and D/A converter
23 to 26	I/O	I/O	Not used
27	Y2/TCK	I	Not used
28	VCC	—	Power supply terminal (+3.3V)
29	Y1/RESET	I	Reset signal input terminal Not used
30	TMS	I	Not used
31	DATAEN	I	Not used
32	CLKSEL	I	Not used
33	FS	I	Clock signal input from the main system controller
34	I/O	I/O	Not used
35 to 38	DATA_1 to DATA_4	I	Audio serial data input from the DSP
39	GND	—	Ground terminal
40	GOE0	—	Global output enable signal input terminal Not used
41 to 44	DATA_5 to DATA_8	I	Audio serial data input terminal Not used

## • DIGITAL BOARD IC2121 LC89056W-E (DIGITAL AUDIO INTERFACE RECEIVER)

Pin No.	Pin Name	I/O	Description
1	DISEL	I	Selection signal input terminal of data input terminal Fixed at "L" in this set
2	DOUT	O	Digital data output to the external output terminal
3	DIN0	I	Digital data input from the external input terminal
4	DIN1	I	Digital data input from the external input terminal Not used
5	DIN2	I	Digital data input from the external input terminal
6	DGND	—	Ground terminal (for digital system)
7	DVDD	—	Power supply terminal (+3.3V) (for digital system)
8	R	I	Input terminal for VCO gain control
9	VIN	I	Input terminal for VCO free-run frequency setting
10	LPF	O	PLL loop filter setting terminal
11	AVDD	—	Power supply terminal (+3.3V) (for analog system)
12	AGND	—	Ground terminal (for analog system)
13	CKOUT	O	Audio clock (12.288 MHz) signal output to the PCM/PWM processor, DC cut digital filter, A/D converter, DSP and GPR
14	BCK	O	Bit clock signal (2.8224 MHz) output to the A/D converter and DSP
15	LRCK	O	L/R sampling clock signal (44.1 kHz) output to the A/D converter and DSP
16	DATAO	O	Audio serial data output to the DSP and main system controller
17	XSTATE	O	Source clock selection monitor output to the main system controller
18	DGND	—	Ground terminal (for digital system)
19	DVDD	—	Power supply terminal (+3.3V) (for digital system)
20	XMCK	O	System clock signal (12.288 MHz) output to the A/D converter
21	XOUT	O	System clock output terminal (12.288 MHz) Not used
22	XIN	I	System clock input terminal (12.288 MHz)
23	EMPHA	O	Channel status emphasis information output terminal Not used
24	AUDIO	O	Channel status bit 1 output to the DSP
25	CSFLAG	O	Channel status head 40 bit renewal flag output terminal Not used
26, 27	F0/P0/C0, F1/P1/C1	O	Output terminal of input frequency calculation result Not used
28	F2/P2/C2	O	Frequency selection signal output terminal
29	F3/P3/C3	O	Output terminal of input frequency calculation result Not used
30	DVDD	—	Power supply terminal (+3.3V) (for digital system)
31	DGND	—	Ground terminal (for digital system)
32	AUTO	O	Not used
33	BPSYNC	O	Non-PCM burst preamble sync signal output terminal Not used
34	ERROR	O	PLL lock error signal and data error flag output to the DSP and main system controller
35	DO	O	Read data output to the main system controller
36	DI	I	Write data input from the main system controller
37	CE	I	Chip enable signal input from the main system controller
38	CLK	I	Clock signal input from the main system controller
39	XSEL	I	Selection signal input terminal of crystal oscillator frequency Fixed at "H" in this set
40, 41	MODE0, MODE1	I	Mode setting terminal Fixed at "L" in this set
42	DGND	—	Ground terminal (for digital system)
43	DVDD	—	Power supply terminal (+3.3V) (for digital system)
44, 45	DOSEL0, DOSEL1	I	Output data format selection signal input terminal Fixed at "L" in this set
46	CKSEL0	I	Output clock selection signal input terminal Fixed at "L" in this set
47	CKSEL1	I	Output clock selection signal input from the main system controller
48	XMODE	I	System reset signal input from the main system controller "L": reset

# STR-DA2000ES/DB2000

## • DIGITAL BOARD IC2601 MB91F155A-3B9-X100 (MAIN SYSTEM CONTROLLER)

Pin No.	Pin Name	I/O	Description
1	MENU -JOG	I	Jog dial pulse input from the rotary encoder (B phase input) (for MENU)
2	MENU +JOG	I	Jog dial pulse input from the rotary encoder (A phase input) (for MENU)
3	+/- -JOG	I	Jog dial pulse input from the rotary encoder (B phase input) (for +/-)
4	+/- +JOG	I	Jog dial pulse input from the rotary encoder (A phase input) (for +/-)
5	FUNC -JOG	I	Jog dial pulse input from the rotary encoder (B phase input) (for INPUT SELECTOR)
6	FUNC +JOG	I	Jog dial pulse input from the rotary encoder (A phase input) (for INPUT SELECTOR)
7	VOL -JOG	I	Jog dial pulse input from the rotary encoder (B phase input) (for MASTER VOLUME)
8	VOL +JOG	I	Jog dial pulse input from the rotary encoder (A phase input) (for MASTER VOLUME)
9	VSS	—	Ground terminal
10	FL_CLK	O	Serial data transfer clock signal output to the fluorescent indicator tube driver
11	FL_DATA	O	Serial data output to the fluorescent indicator tube driver
12	FL_LAT	O	Chip select signal output to the fluorescent indicator tube driver
13	FL_RST	O	Reset signal output to the fluorescent indicator tube driver “L”: reset
14	ML_CH_DEC-LED	O	LED drive signal output of the MULTI CANNEL DECODING indicator “H”: LED on
15	HP-SW	I	Headphone detection signal input terminal “H”: headphone is connected
16	DIMMER	O	Dimmer on/off control signal output terminal “L”: dimmer on
17	2ND-RY	O	Relay drive signal (for 2nd zone out) output terminal “H”: relay on (STR-DA2000ES only)
18	POW-RY	I	Relay drive signal (for main power) output terminal “H”: relay on
19	TU-TUNED	I	Tuned detection signal input from the tuner unit
20	TU-MUTE	O	Muting request control signal output to the tuner unit
21	SERIAL-DATA	O	Serial data output to the function switch, electrical volume and tuner unit
22	SERIAL-CLK	O	Serial data transfer clock signal output to the function switch, electrical volume and tuner unit
23	TU-DATAIN	I	Serial data input from the tuner unit
24	TU-STEREO	I	FM stereo detection signal input from the tuner unit
25	RDS-DATA	I	RDS serial data input from the tuner unit (STR-DB2000: AEP and UK models only)
26	VSS	—	Ground terminal
27	VCC	—	Power supply terminal (+3.3V)
28	TU-LAT	O	Serial data latch pulse signal output to the tuner unit
29	FUNC_SW-LAT	O	Serial data latch pulse signal output to the function switch
30	VOL-LAT	O	Serial data latch pulse signal output to the electrical volume
31	MLT_D.MIX-LAT	O	Serial data latch pulse signal output to the function switch
32	SYS-MUTE	O	System muting on/off control signal output terminal “L”: muting on
33	POW-CHANGE	O	Tuner auto stop signal output terminal
34	V-POW	O	Video section power on/off control signal output terminal “H”: power on
35	NC	I	Not used
36, 37	SELB OPT, SELA OPT	O	Digital input selection signal output terminal
38	DIR-ERROR	I	PLL lock error signal and data error flag input from the digital audio interface receiver
39	DIR-XSTATE	I	Source clock selection monitor input from the digital audio interface receiver
40	DIR-DATA0	I	Audio serial data input from the digital audio interface receiver
41	DIR-XMODE	O	System reset signal output to the digital audio interface receiver “L”: reset
42	DIR-CKSEL1	O	Output clock selection signal output to the digital audio interface receiver
43	DIR-CLK	O	Clock signal output to the digital audio interface receiver
44	VSS	—	Ground terminal

Pin No.	Pin Name	I/O	Description
45	NC	I	Not used
46	DIR-CE	O	Chip enable signal output to the digital audio interface receiver
47	DIR-DO	I	Read data input from the digital audio interface receiver
48	NC	I	Not used
49	DIR-DI	O	Write data output to the digital audio interface receiver
50	CLKSW	O	Analog/digital selection signal output terminal "L": analog, "H": digital
51	NC	I	Not used
52	MD2	I	Setting terminal for the CPU operation mode Fixed at "L" in this set
53	MD1	I	Setting terminal for the CPU operation mode Fixed at "H" in this set
54	MD0	I	Setting terminal for the CPU operation mode Fixed at "L" in this set
55	RSTX	I	System reset signal input from the reset signal generator "L": reset For several hundreds msec. after the power supply rises, "L" is input, then it changes to "H"
56	VCC	—	Power supply terminal (+3.3V)
57	X1	O	Main system clock output terminal (16.5 MHz)
58	X0	I	Main system clock input terminal (16.5 MHz)
59	VSS	—	Ground terminal
60	STOP	I	AC off detection signal input terminal
61	RDS-CLK	I	RDS interrupt clock signal input from the tuner unit (STR-DB2000: AEP and UK models only)
62	POW-SW	I	I/⏻ key input terminal "L": power on
63	CTL-A1IN	I	Sircs signal input for CTRL A1II
64	NC	I	Not used
65	PRE-RY	O	Relay drive signal (for pre out and sub woofer) output terminal "H": relay on (Pre out: STR-DA2000ES only)
66	SIRCS	I	Sircs signal input terminal
67	NC	I	Not used
68	VCC	—	Power supply terminal (+3.3V)
69	PCM-FAINT	O	PCM imitation signal output terminal
70	DSP-HACN	I	Acknowledge signal input from the DSP
71	DSP-HDIN	O	Serial data output to the DSP
72	DSP-HCLK	O	Serial data transfer clock signal output to the DSP
73	DSP-HDOUT	I	Serial data input from the DSP
74	DSP-HCS	O	Chip select signal output to the DSP
75	DSP-GP12	O	Write signal output to the DSP
76	DSP-BST	O	Boot strap signal output to the DSP
77	VCC	—	Power supply terminal (+3.3V)
78	DSP-XRST	O	System reset signal output to the DSP "L": reset
79	DSP-PM	O	PLL initialize signal output to the DSP
80	DSP-GP9	I	Read ready signal input from the DSP
81	DSP-BSTSEL	O	Signal selection signal output terminal "L": boot strap signal, "H": L/R sampling clock signal
82	NC	I	Not used
83	SUBU-RST	O	Reset signal output to the sub system controller and DC cut digital filter "L": reset
84	SUBU-MUTE	O	Muting on/off control signal output terminal Not used
85	SUBU-CTRL	O	Clock signal output to the sub system controller
86	SUBU-INFO2	I	Serial data input from the sub system controller
87	SUBU-INFO1	O	Serial data output to the sub system controller
88	CTRL-A1	O	Sircs signal output for CTRL A1II

# STR-DA2000ES/DB2000

Pin No.	Pin Name	I/O	Description
89	A/D-RST	O	Reset signal output to the A/D converter “H”: reset
90	DSD-RST	O	DSD reset signal output terminal “H”: reset
91	FS	I	Clock signal input from the GPR
92	DAC-RESET	O	D/A converter reset signal output terminal “L”: reset
93	DAC-LAT	O	Serial data latch pulse signal output to the D/A converter
94	DAC-CLK	O	Serial data transfer clock signal output to the D/A converter
95	UCOM-DATAOUT	O	Serial data output to the D/A converter
96	DAC-DATAOUT	I	Serial data input from the D/A converter
97	VCC	—	Power supply terminal (+3.3V)
98	VSS	—	Ground terminal
99	EEPROM-SDA	I/O	Two-way data bus with the EEPROM
100	EEPROM-SCL	O	Serial data transfer clock signal output to the EEPROM
101	VSS	—	Ground terminal
102	NC	I	Not used
103	OSD-VSYNC	O	Vertical sync signal input terminal (STR-DB2000 only)
104	XCLKSEL	O	NTSC/PAL selection signal output terminal “L”: NTSC, “H”: PAL (STR-DB2000 only)
105	OSD-CLK	O	Serial data transfer clock signal output to the OSD driver
106	OSD-DATA	O	Serial data output to the OSD driver
107	OSD-LAT	O	Serial data latch pulse signal output to the OSD driver
108	NC	I	Not used
109	SOT1	O	Serial data output to the RS-232C (STR-DA2000ES only)
110	SIN1	I	Serial data input from the RS-232C (STR-DA2000ES only)
111 to 113	NC	I	Not used
114 to 117	V-SW1 to V-SW4	O	Video selection signal output terminal
118, 119	SFCF2, SFCF1	O	DC cut filter on/off and cut off frequency selection signal output to the DC cut digital filter
120, 121	TP	O	Not used
122	VCC	—	Power supply terminal (+3.3V)
123 to 125	NC	O	Not used
126	VSS	—	Ground terminal
127 to 129	VCC	—	Power supply terminal (+3.3V)
130, 131	VSS	—	Ground terminal
132, 133	AD1, AD2	I	Front key panel input terminal (A/D input)
134, 135	NC	I	Not used
136	12VTRIG	O	Trigger out signal output terminal (STR-DA2000ES only)
137	SB SEL	O	Audio data (for surround back) selection signal output terminal
138	VERSION	I	Destination setting terminal
139	RDS-SIGNAL	I	RDS signal input from the tuner unit (STR-DB2000: AEP and UK models only)
140	VCC	—	Power supply terminal (+3.3V)
141	VCC2	—	Power supply terminal (+3.3V)
142	X0A	I	Sub system clock input terminal Not used
143	X1A	O	Sub system clock output terminal Not used
144	VSS	—	Ground terminal



## • D-AMP BOARD IC1800 MB89537APFM-G-461-BNDE1 (SUB SYSTEM CONTROLLER)

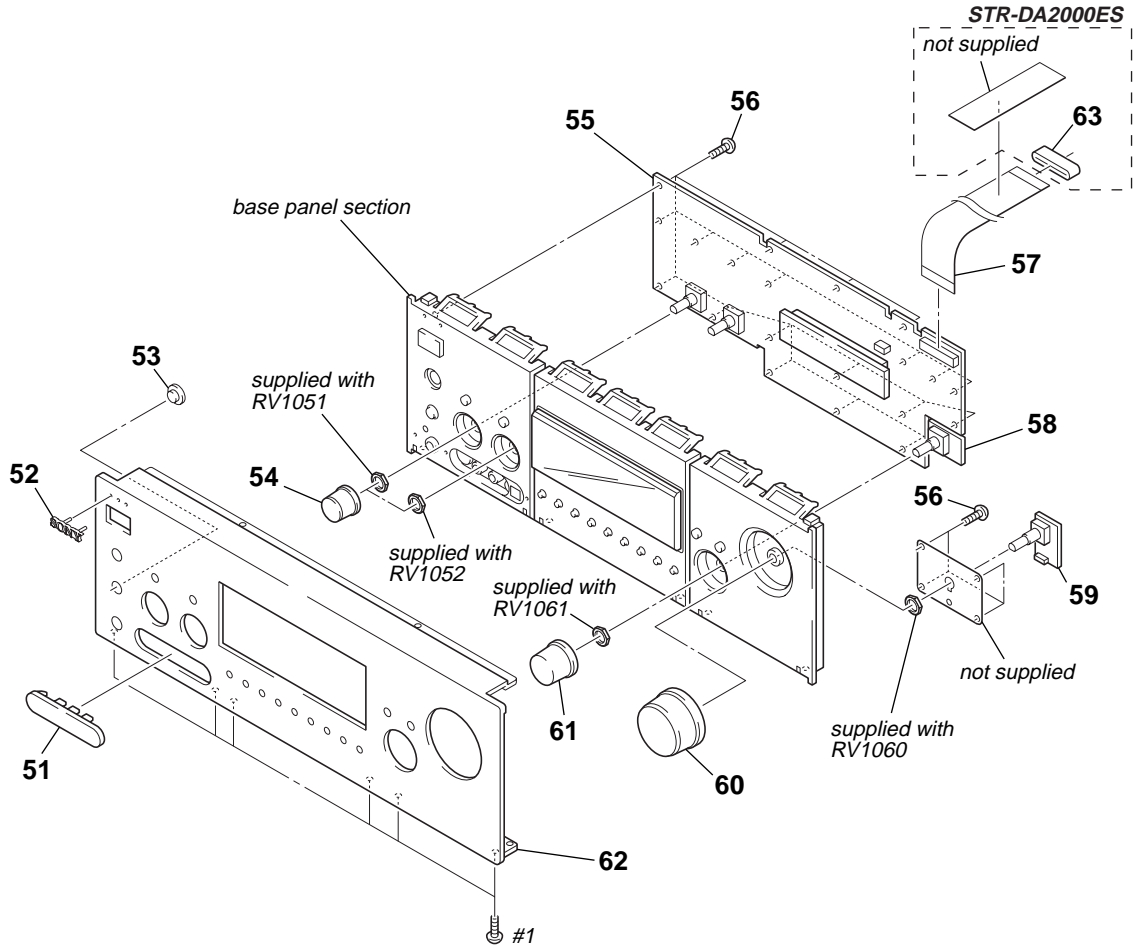
Pin No.	Pin Name	I/O	Description
1	I LIMIT	I	Current detection signal input from the protect circuit
2	MOD2	I	Not used
3	TEMP	I	Thermistor connection terminal for abnormal temperature detection (A/D input)
4 to 10	—	—	Not used
11	AVCC	—	Power supply terminal (+3.3V) (for analog system)
12	AVR	I	Reference voltage (+3.3V) input terminal
13	AVSS	—	Ground terminal (for analog system)
14	U-MAIN	I	Clock signal input from main system controller
15	AC-OFF	I	AC off detection signal input terminal “L”: AC off
16	+B	I	+B power supply abnormal detection signal input terminal
17, 18	—	—	Not used
19	RST	I	Reset signal input from the main system controller “L”: reset
20, 21	MOD0, MOD1	I	Setting terminal for memory access mode Normally: fixed at “L”
22	X0	I	System clock input terminal (8 MHz)
23	X1	O	System clock output terminal (8 MHz)
24	VSS	—	Ground terminal
25	VOL-CLK	O	Serial data transfer clock signal output to the data decoder
26	VOL-DATA	O	Serial data output to the data decoder
27	VOL-LAT	O	Serial data latch pulse signal output to the data decoder
28	DAC-MUTE	O	Muting on/off control signal output terminal Not used
29, 30	(P23), (P22)	—	Not used
31	4I-LIMIT	I	Not used
32	DC	I	DC offset detection signal input from the protect circuit
33	—	—	Not used
34	4/8OUT	O	Not used
35	DIAG	I	Thermistor connection terminal for abnormal temperature detection (A/D input)
36	EN	O	Enable/Disable control signal output terminal
37	MODE1	O	Mode signal output to PCM/PWM processor
38	INIT	O	Initialize signal output to the PCM/PWM processor
39	NSP-MUTE	O	Muting on/off control signal output terminal Not used
40	(P10)	—	Not used
41	—	—	Not used
42	U-SUB1	I	Serial data input from main system controller
43	LAT4	O	Serial data latch pulse signal (for surround back) output to the PCM/PWM processor
44	LAT3	O	Serial data latch pulse signal (for surround) output to the PCM/PWM processor
45	LAT2	O	Serial data latch pulse signal (for center) output to the PCM/PWM processor
46	LAT1	O	Serial data latch pulse signal (for front) output to the PCM/PWM processor
47	F-B RY	O	Relay drive signal (for front speaker B) output terminal
48	SR-A RY	O	Relay drive signal (for surround speaker A) output terminal Not used
49	NC	—	Not used
50	F-A RY	O	Relay drive signal (for front speaker A) output terminal
51	SHIFT	O	Serial data transfer clock signal output to the PCM/PWM processor
52	SCDT	O	Serial data output to the PCM/PWM processor
53	SR-B RY	O	Relay drive signal (for surround speaker B) output terminal Not used
54	C RY	O	Relay drive signal (for center speaker) output terminal Not used

**STR-DA2000ES/DB2000**

Pin No.	Pin Name	I/O	Description
55	SB RY	O	Relay drive signal (for surround back speaker) output terminal Not used
56	VCC	—	Power supply terminal (+3.3V)
57	SP RY	O	Relay drive signal (for speaker) output terminal Not used
58	HP RY	O	Relay drive signal (for headphone) output terminal
59	—	—	Not used
60	U-SUB2	O	Serial data output to main system controller
61	—	—	Not used
62	FORMAT	I	Not used
63	HENCYO	I	Not used
64	MUTE	I	Muting on/off control signal input terminal Not used

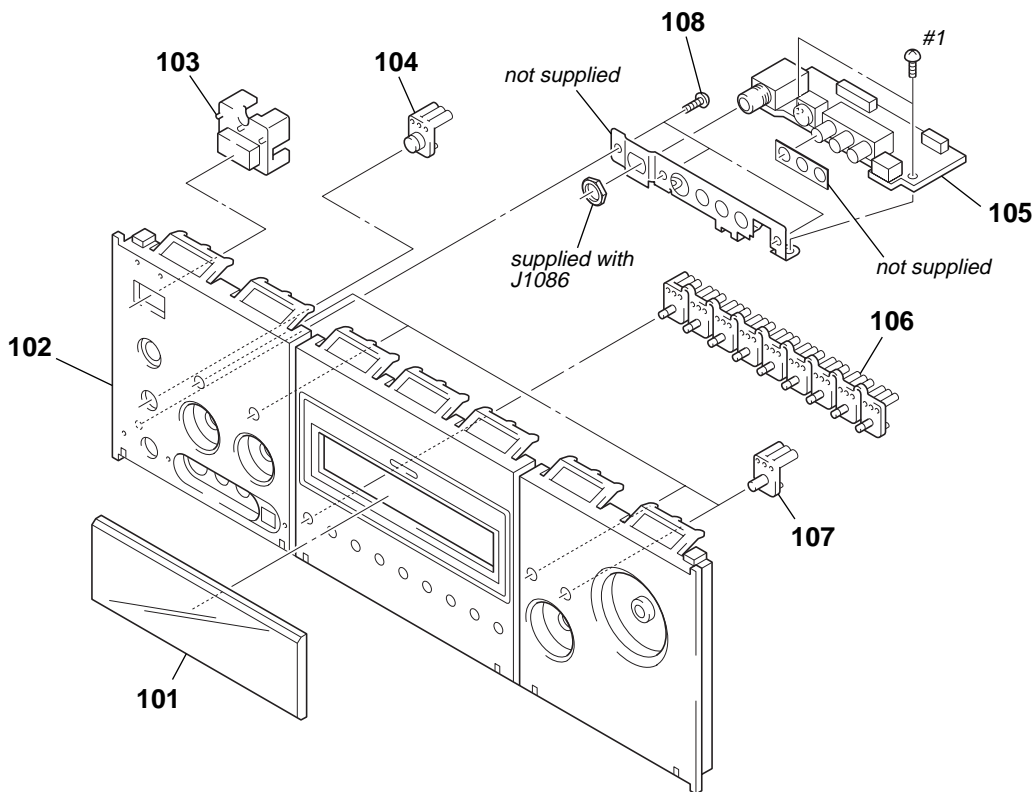


7-2. FRONT PANEL SECTION



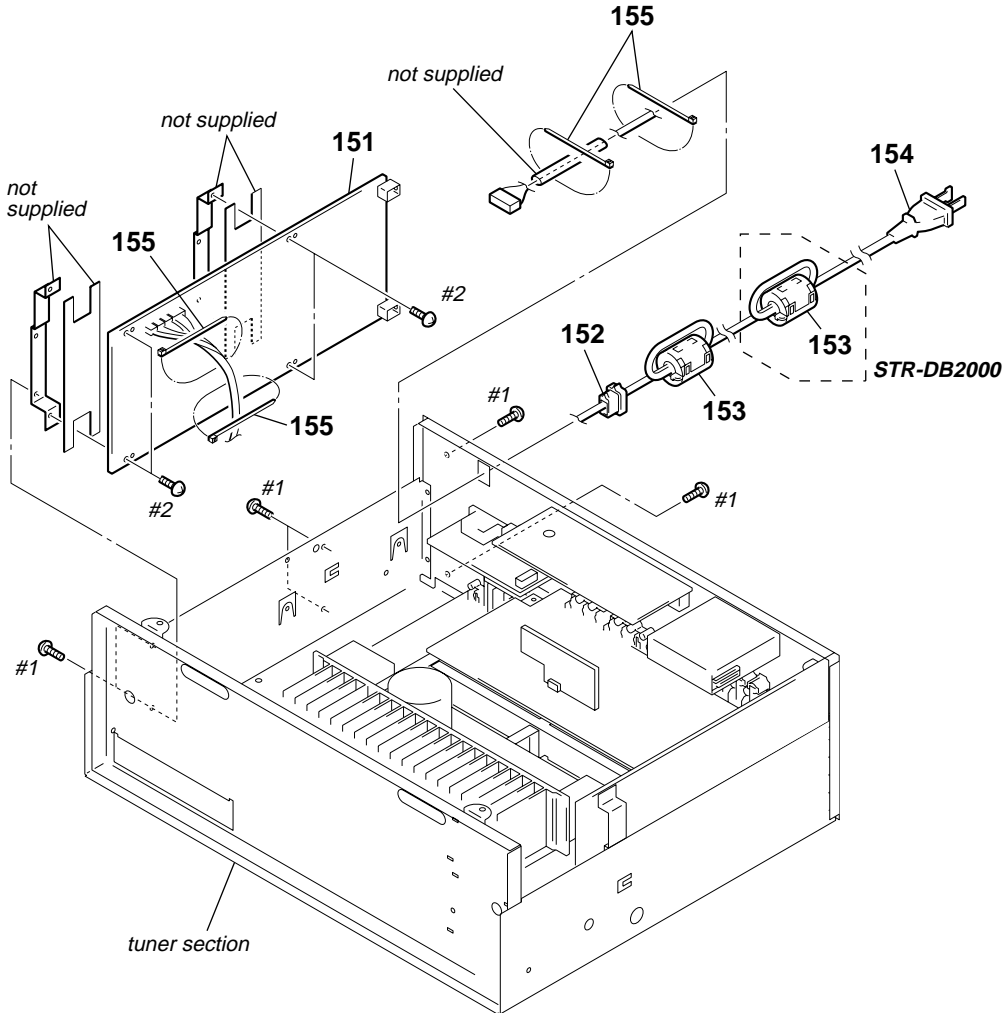
Ref. No.	Part No.	Description	Remark	Ref. No.	Part No.	Description	Remark
51	X-4955-963-2	LID ASSY (BLACK)		59	1-688-601-11	VOL BOARD	
51	X-4955-967-1	LID ASSY (GOLD)		60	4-240-507-01	KNOB (VOL) (BLACK)	
51	X-4955-968-2	LID ASSY (SILVER)		60	X-4953-671-1	KNOB (VOL-E) ASSY (GOLD)	
52	4-240-858-01	EMBLEM (5-A), SONY (BLACK)		60	X-4953-672-1	KNOB (VOL-E) ASSY (SILVER)	
52	4-240-858-11	EMBLEM (5-A), SONY (GOLD)		61	4-232-569-02	KNOB (FN DE9) (BLACK)	
52	4-240-858-21	EMBLEM (5-A), SONY (SILVER)		61	4-232-569-12	KNOB (FN DE9) (GOLD)	
53	X-4953-000-1	WINDOW ASSY, REMOTE CONTROL		61	4-232-569-22	KNOB (FN DE9) (SILVER)	
54	4-245-437-01	KNOB (MENU) (BLACK)		62	4-245-444-64	PANEL, FRONT (BLACK)	
54	4-245-437-21	KNOB (MENU) (GOLD)		62	4-245-444-74	PANEL, FRONT (SILVER) (STR-DB2000)	
54	4-245-437-31	KNOB (MENU) (SILVER)		62	4-245-444-84	PANEL, FRONT (GOLD)	
55	A-4733-935-A	DISPLAY BOARD, COMPLETE		62	4-245-444-94	PANEL, FRONT (SILVER) (STR-DA2000ES)	
56	4-951-620-01	SCREW (2.6X8), +BVTP		63	1-500-472-11	CORE, FERRITE (STR-DA2000ES)	
57	1-773-297-11	WIRE (FLAT TYPE) (29 CORE)		#1	7-685-646-79	SCREW +BVTP 3X8 TYPE2 IT-3	
58	1-688-600-11	FUNCTION BOARD					

7-3. BASE PANEL SECTION



Ref. No.	Part No.	Description	Remark	Ref. No.	Part No.	Description	Remark
101	4-245-438-01	PLATE, INDICATION (BLACK)		104	4-245-434-31	BUTTON (SP) (SILVER)	
101	4-245-438-11	PLATE, INDICATION (SILVER, GOLD)		105	A-4733-939-A	HP-V3 BOARD, COMPLETE (STR-DA2000ES)	
102	4-245-430-01	BASE, PANEL (BLACK)		105	A-4734-033-A	HP-V3 BOARD, COMPLETE (STR-DB2000)	
102	4-245-430-11	BASE, PANEL (SILVER)		106	4-245-435-02	BUTTON (MODE)	
102	4-245-430-21	BASE, PANEL (GOLD)		107	4-245-436-01	BUTTON (MENU) (BLACK)	
103	4-998-592-01	BUTTON (POWER) (BLACK)		107	4-245-436-21	BUTTON (MENU) (GOLD)	
103	4-998-592-12	BUTTON (POWER) (GOLD)		107	4-245-436-31	BUTTON (MENU) (SILVER)	
103	4-998-592-31	BUTTON (POWER) (SILVER)		108	4-951-620-01	SCREW (2.6X8), +BVTP	
104	4-245-434-01	BUTTON (SP) (BLACK)		#1	7-685-646-79	SCREW +BVTP 3X8 TYPE2 IT-3	
104	4-245-434-21	BUTTON (SP) (GOLD)					

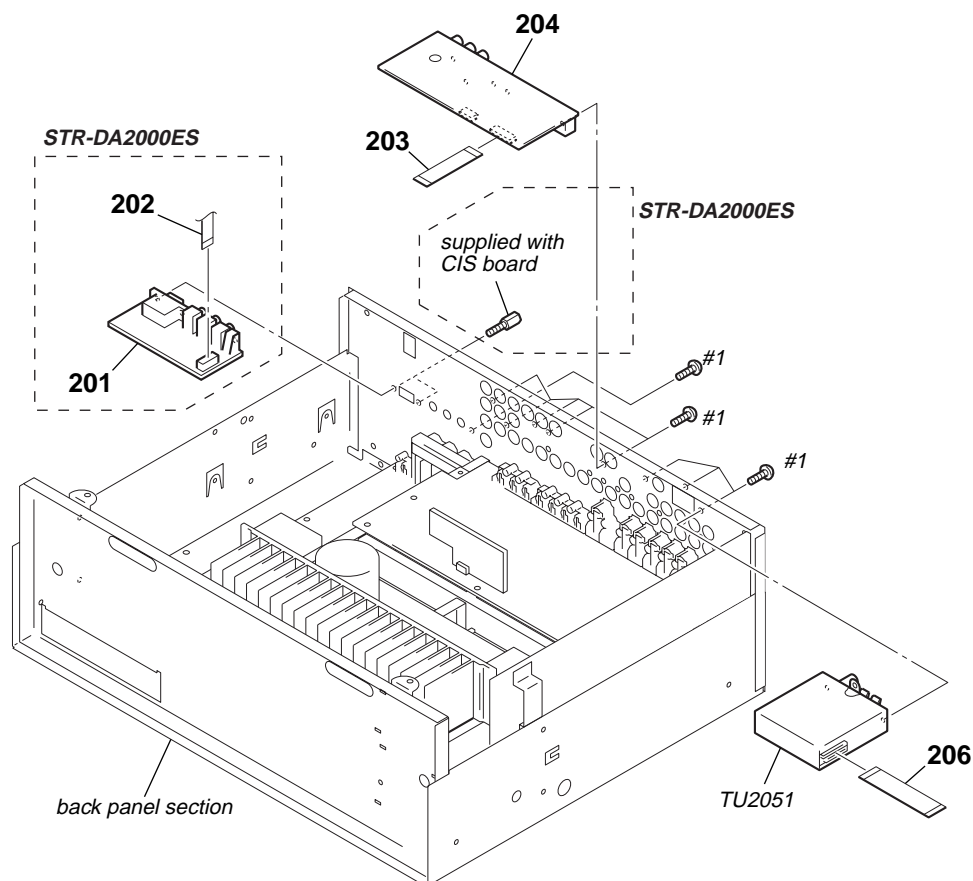
7-4. POWER BLOCK SECTION



<p>The components identified by mark <math>\triangle</math> or dotted line with mark <math>\triangle</math> are critical for safety. Replace only with part number specified.</p>	<p>Les composants identifiés par une marque <math>\triangle</math> sont critiques pour la sécurité. Ne les remplacer que par une pièce portant le numéro spécifié.</p>
---	--

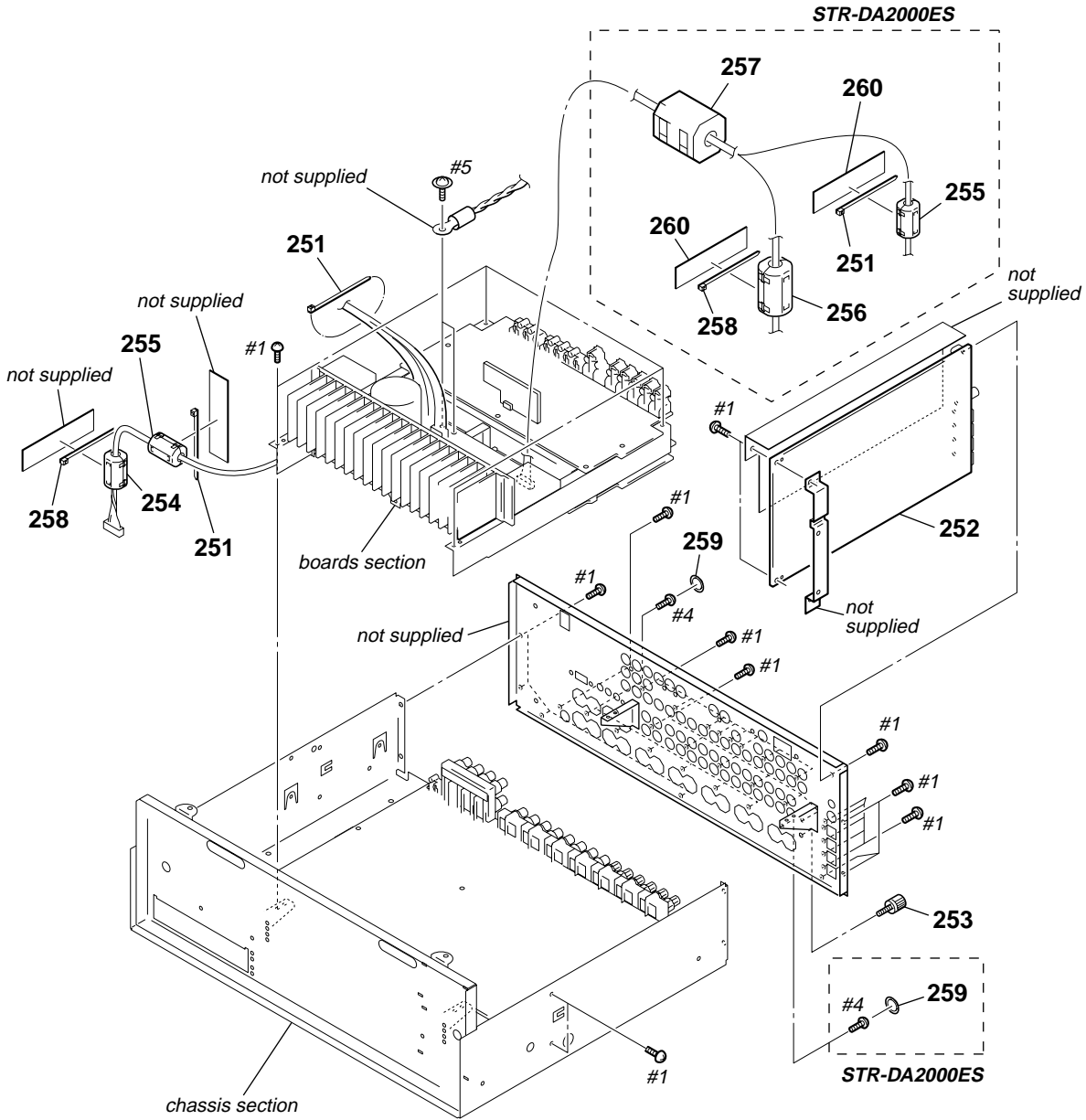
Ref. No.	Part No.	Description	Remark	Ref. No.	Part No.	Description	Remark
$\triangle$ 151	1-468-783-11	REGULATOR, SWITCHING (STR-DA2000ES)		$\triangle$ 154	1-783-820-11	CORD, POWER (US, CND)	
$\triangle$ 151	1-468-784-11	REGULATOR, SWITCHING (STR-DB2000)		155	3-655-653-21	BAND (TAITON), BINDING	
* 152	3-703-244-00	BUSHING (2104), CORD		#1	7-685-646-79	SCREW +BVTP 3X8 TYPE2 IT-3	
153	1-400-550-11	FILTER, CLAMP		#2	7-685-903-21	SCREW +PTPWH 3X8 (TYPE2)	
$\triangle$ 154	1-769-744-11	CORD, POWER (EXCEPT US, CND)					

7-5. TUNER SECTION



Ref. No.	Part No.	Description	Remark	Ref. No.	Part No.	Description	Remark
201	A-4733-946-A	CIS BOARD, COMPLETE (STR-DA2000ES)		206	1-773-001-11	WIRE (FLAT TYPE) (15 CORE)	
202	1-769-875-11	WIRE (FLAT TYPE) (7 CORE) (STR-DA2000ES)					(STR-DB2000: AEP, UK)
203	1-769-969-11	WIRE (FLAT TYPE) (13 CORE)		TU2051	1-693-577-31	TUNER (STR-DA2000ES)	
204	A-4733-944-A	S-VIDEO BOARD, COMPLETE		TU2051	1-693-578-41	TUNER (STR-DB2000: AEP, UK)	
			(STR-DA2000ES)	TU2051	1-693-641-11	TUNER (STR-DB2000: SP, MY)	
204	A-4734-037-A	S-VIDEO BOARD, COMPLETE (STR-DB2000)		#1	7-685-646-79	SCREW +BVTP 3X8 TYPE2 IT-3	
206	1-769-937-11	WIRE (FLAT TYPE) (11 CORE)					
			(EXCEPT STR-DB2000: AEP, UK)				

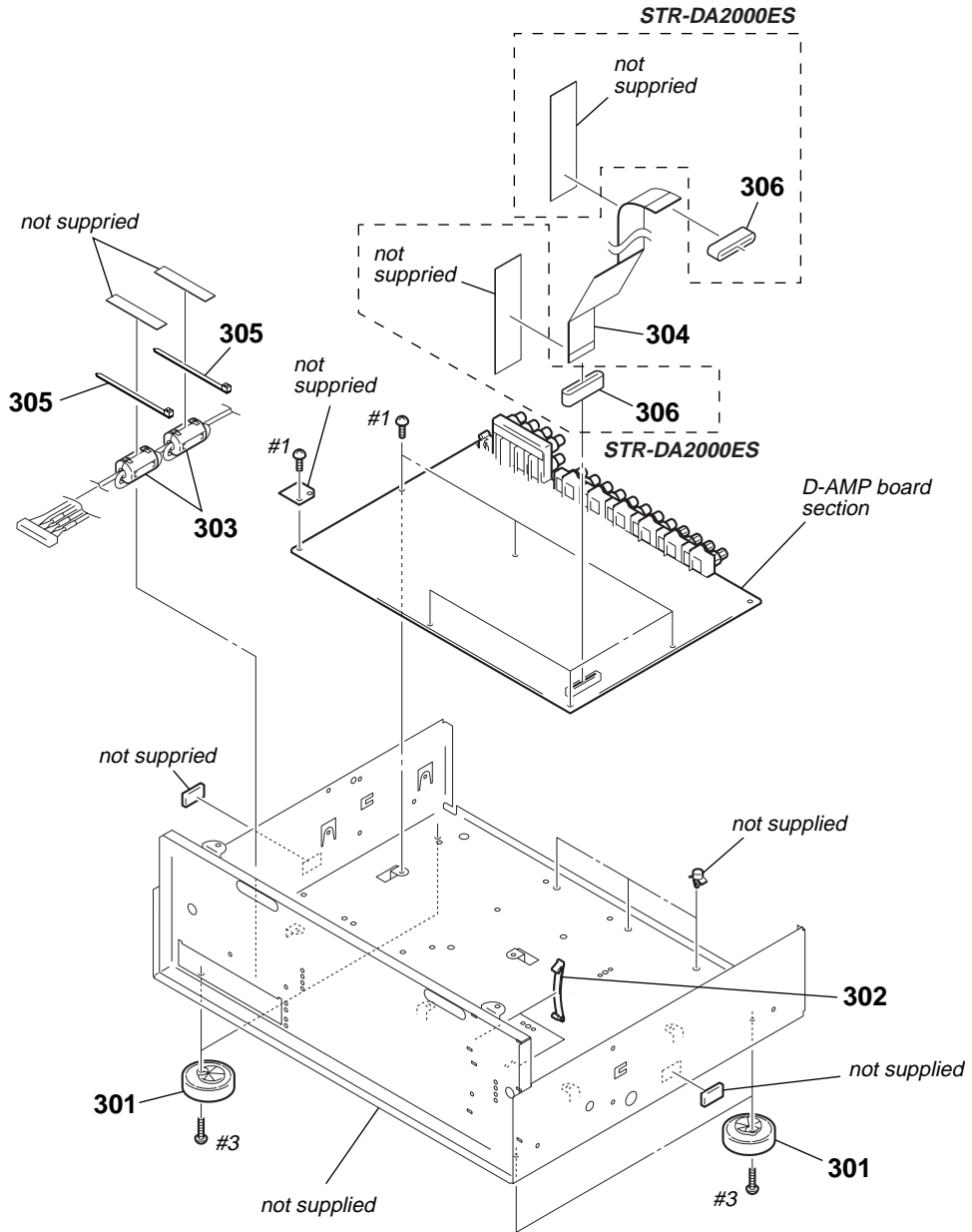
7-6. BACK PANEL SECTION



Ref. No.	Part No.	Description	Remark	Ref. No.	Part No.	Description	Remark
251	3-655-653-21	BAND (TAITON), BINDING		256	1-469-969-11	CLAMP, FERRITE (STR-DA2000ES)	
252	A-4733-922-A	DIGITAL BOARD, COMPLETE (STR-DA2000ES)		257	1-500-603-11	CLAMP, FERRITE (STR-DA2000ES)	
252	A-4734-045-A	DIGITAL BOARD, COMPLETE (STR-DB2000: SP, MY)		258	3-655-653-11	BAND (TAITON), BINDING	
252	A-4734-054-A	DIGITAL BOARD, COMPLETE (STR-DB2000: AEP, UK)		259	4-251-318-11	COVER, PROTECTION	
253	4-947-010-01	SCREW, FEEDER FIXED		260	4-860-518-00	CUSHION	
254	1-500-051-11	CORE, FERRITE		#1	7-685-646-79	SCREW +BVTP 3X8 TYPE2 IT-3	
255	1-469-241-11	CORE, FERRITE		#4	7-685-647-79	SCREW +BVTP 3X10 TYPE2 IT-3	
				#5	7-682-948-01	SCREW +PSW 3X8 CZN	

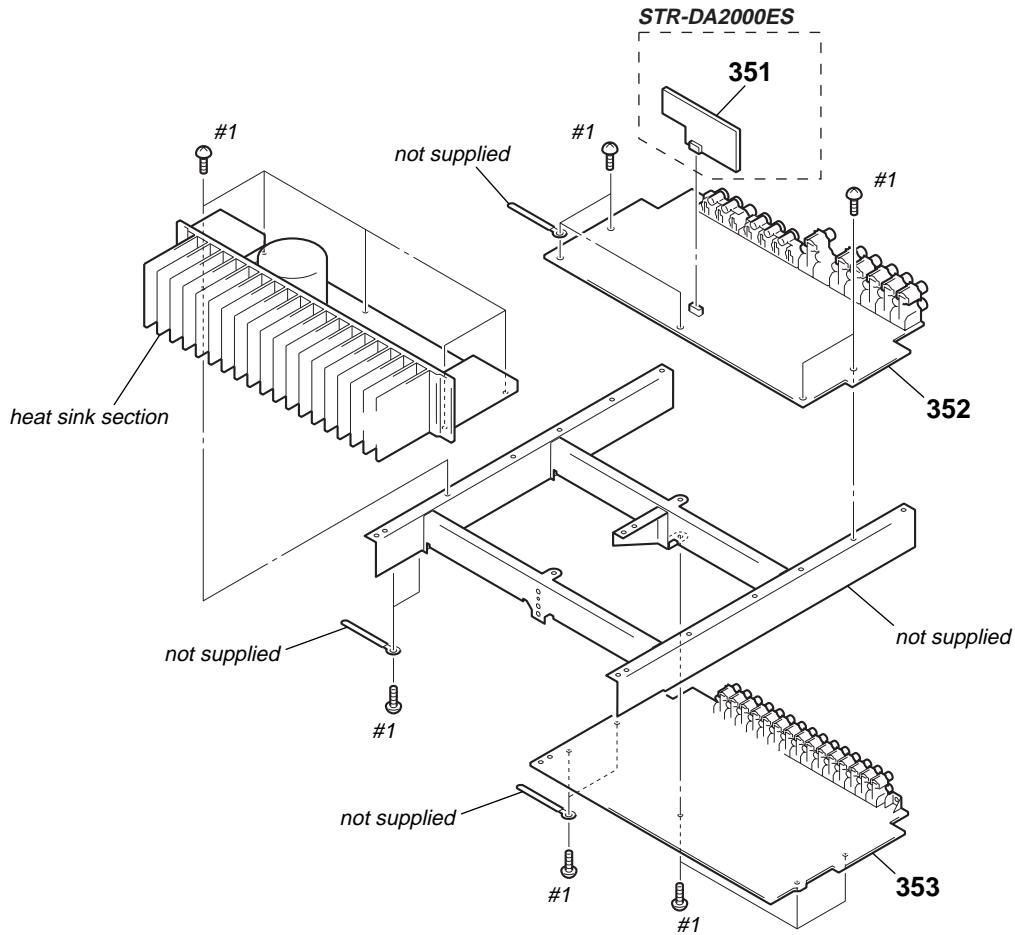


7-7. CHASSIS SECTION



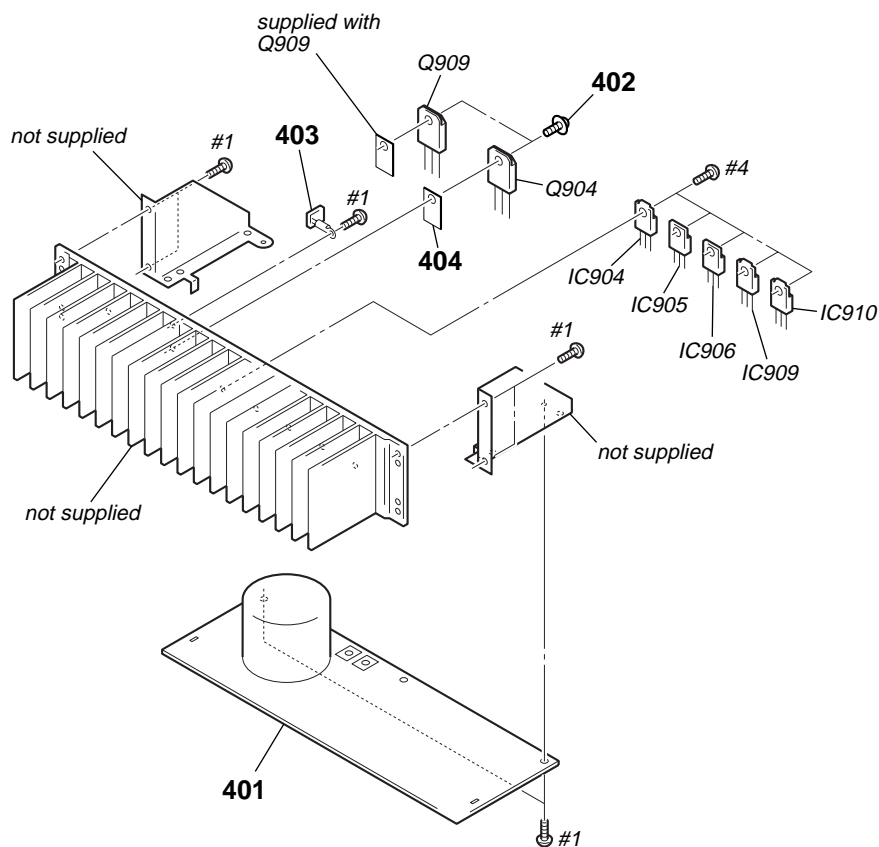
Ref. No.	Part No.	Description	Remark	Ref. No.	Part No.	Description	Remark
301	X-4955-348-1	FOOT ASSY		305	3-655-653-21	BAND (TAITON), BINDING	
* 302	3-225-496-01	CLAMP (FLAT CLAMP 45)		* 306	1-500-169-11	CORE (FPC) (STR-DA2000ES)	
303	1-469-969-11	CLAMP, FERRITE		#1	7-685-646-79	SCREW +BVTP 3X8 TYPE2 IT-3	
304	1-773-220-11	WIRE (FLAT TYPE) (25 CORE)		#3	7-685-885-09	SCREW +BVTT 4X16 (S)	

7-8. BOARDS SECTION



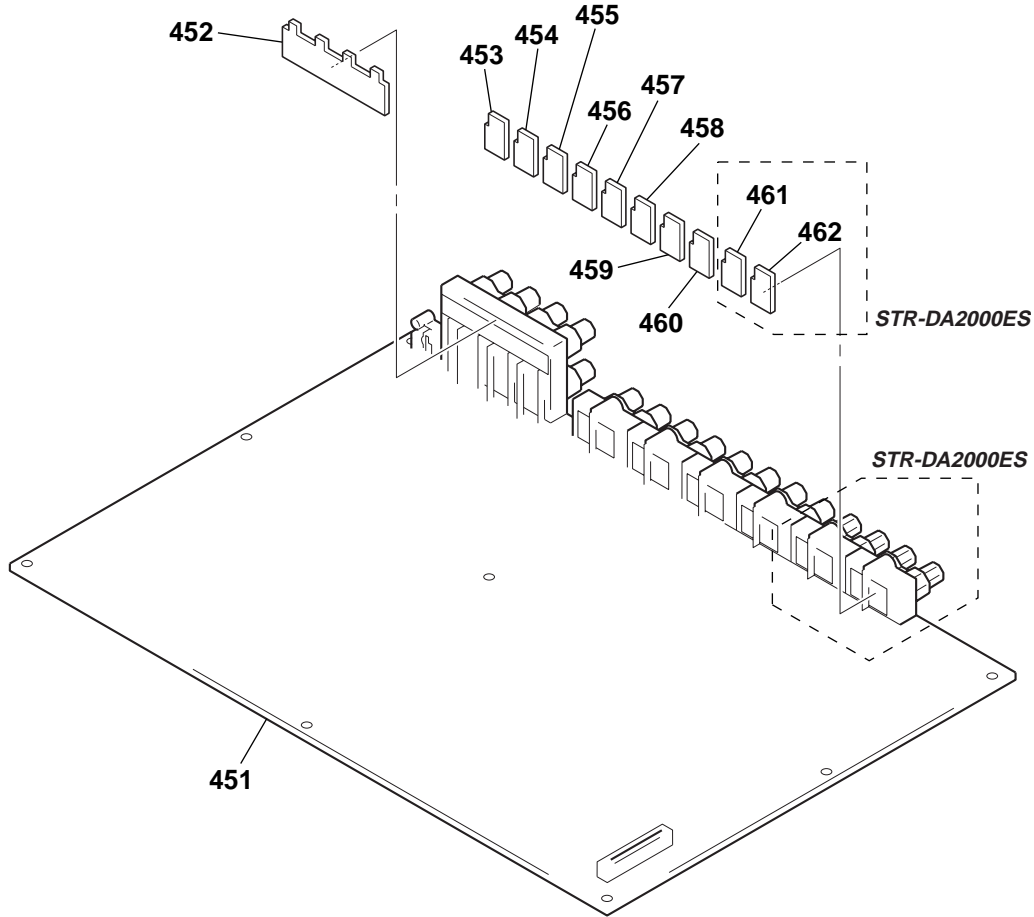
Ref. No.	Part No.	Description	Remark	Ref. No.	Part No.	Description	Remark
351	A-4728-955-A	UP CONVERT BOARD, COMPLETE (STR-DA2000ES)		353	A-4733-930-A	2CH. AU BOARD, COMPLETE (STR-DA2000ES)	
352	A-4733-932-A	MULTI-VIDEO BOARD, COMPLETE (STR-DA2000ES)		353	A-4734-029-A	2CH. AU BOARD, COMPLETE (STR-DB2000: SP, MY)	
352	A-4734-048-A	MULTI-VIDEO BOARD, COMPLETE (STR-DB2000: SP, MY)		353	A-4734-059-A	2CH. AU BOARD, COMPLETE (STR-DB2000: AEP, UK)	
352	A-4734-061-A	MULTI-VIDEO BOARD, COMPLETE (STR-DB2000: AEP, UK)		#1	7-685-646-79	SCREW +BVTP 3X8 TYPE2 IT-3	

7-9. HEAT SINK SECTION



Ref. No.	Part No.	Description	Remark	Ref. No.	Part No.	Description	Remark
401	A-4733-941-A	REG BOARD, COMPLETE (STR-DA2000ES)		IC905	8-759-071-48	IC TA7807S	
401	A-4734-035-A	REG BOARD, COMPLETE (STR-DB2000: SP, MY)		IC906	8-759-245-79	IC TA79005S	
401	A-4734-064-A	REG BOARD, COMPLETE (STR-DB2000: AEP, UK)		IC909	8-759-445-59	IC BA033T	
402	3-905-609-11	SCREW (TRANSISTOR)		IC910	8-759-231-53	IC TA7805S	
403	1-688-684-11	TH BOARD		Q904	6-550-625-01	TRANSISTOR 2SK1381	
404	4-383-023-01	SHEET, MICA		Q909	6-702-390-01	IC MN2488-OPY-MK	
IC904	8-759-231-53	IC TA7805S		#1	7-685-646-79	SCREW +BVTP 3X8 TYPE2 IT-3	
				#4	7-685-647-79	SCREW +BVTP 3X10 TYPE2 IT-3	

7-10. D. AMP BOARD SECTION



Ref. No.	Part No.	Description	Remark	Ref. No.	Part No.	Description	Remark
451	A-4733-916-A	D. AMP BOARD, COMPLETE (STR-DA2000ES)		455	1-860-493-11	SP TM (D) BOARD	
451	A-4734-020-A	D. AMP BOARD, COMPLETE (STR-DB2000: SP, MY)		456	1-860-494-11	SP TM (E) BOARD	
451	A-4734-050-A	D. AMP BOARD, COMPLETE (STR-DB2000: AEP, UK)		457	1-860-495-11	SP TM (F) BOARD	
452	1-860-490-11	SP TM (A) BOARD		458	1-860-496-11	SP TM (G) BOARD	
453	1-860-491-11	SP TM (B) BOARD		459	1-860-497-11	SP TM (H) BOARD	
454	1-860-492-11	SP TM (C) BOARD		460	1-860-498-11	SP TM (I) BOARD	
				461	1-860-499-11	SP TM (J) BOARD (STR-DA2000ES)	
				462	1-860-500-11	SP TM (K) BOARD (STR-DA2000ES)	

## SECTION 8 ELECTRICAL PARTS LIST

2CH. AU

## NOTE:

- Due to standardization, replacements in the parts list may be different from the parts specified in the diagrams or the components used on the set.
- -XX and -X mean standardized parts, so they may have some difference from the original one.
- RESISTORS  
All resistors are in ohms.  
METAL: Metal-film resistor.  
METAL OXIDE: Metal oxide-film resistor.  
F: nonflammable
- Abbreviation  
CND : Canadian model  
MY : Malaysia model  
SP : Singapore model

- Items marked "\*" are not stocked since they are seldom required for routine service. Some delay should be anticipated when ordering these items.
- SEMICONDUCTORS  
In each case, u:  $\mu$ , for example:  
uA. . :  $\mu$ A. .      uPA. . :  $\mu$ PA. .  
uPB. . :  $\mu$ PB. .    uPC. . :  $\mu$ PC. .  
uPD. . :  $\mu$ PD. .
- CAPACITORS  
uF:  $\mu$ F
- COILS  
uH:  $\mu$ H

The components identified by mark  $\Delta$  or dotted line with mark  $\Delta$  are critical for safety. Replace only with part number specified.

Les composants identifiés par une marque  $\Delta$  sont critiques pour la sécurité. Ne les remplacer que par une pièce portant le numéro spécifié.

When indicating parts by reference number, please include the board.

Ref. No.	Part No.	Description	Remark	Ref. No.	Part No.	Description	Remark
	A-4733-930-A	2CH. AU BOARD, COMPLETE (STR-DA2000ES)		C455	1-137-505-11	MYLAR 220PF	5% 50V
	A-4734-029-A	2CH. AU BOARD, COMPLETE (STR-DB2000: SP, MY)		C456	1-126-965-91	ELECT 22uF	20% 50V (STR-DA2000ES)
	A-4734-059-A	2CH. AU BOARD, COMPLETE (STR-DB2000: AEP, UK)					
		*****		C457	1-163-251-11	CERAMIC CHIP 100PF	5% 50V (STR-DA2000ES)
	7-685-646-79	SCREW +BVTP 3X8 TYPE2 IT-3		C472	1-163-251-11	CERAMIC CHIP 100PF	5% 50V (STR-DB2000)
		< CAPACITOR >		C473	1-163-251-11	CERAMIC CHIP 100PF	5% 50V (STR-DB2000)
C411	1-163-251-11	CERAMIC CHIP 100PF	5% 50V (STR-DB2000)	C474	1-163-251-11	CERAMIC CHIP 100PF	5% 50V (STR-DB2000)
C413	1-163-251-11	CERAMIC CHIP 100PF	5% 50V (STR-DB2000)	C475	1-163-251-11	CERAMIC CHIP 100PF	5% 50V (STR-DB2000)
C415	1-163-251-11	CERAMIC CHIP 100PF	5% 50V (STR-DB2000)	C476	1-163-251-11	CERAMIC CHIP 100PF	5% 50V (STR-DB2000)
C416	1-163-251-11	CERAMIC CHIP 100PF	5% 50V (STR-DB2000)	C477	1-163-251-11	CERAMIC CHIP 100PF	5% 50V (STR-DB2000)
C417	1-163-251-11	CERAMIC CHIP 100PF	5% 50V (STR-DB2000)	C478	1-163-251-11	CERAMIC CHIP 100PF	5% 50V (STR-DB2000)
C419	1-163-251-11	CERAMIC CHIP 100PF	5% 50V (STR-DB2000)	C479	1-163-251-11	CERAMIC CHIP 100PF	5% 50V (STR-DB2000)
C421	1-163-251-11	CERAMIC CHIP 100PF	5% 50V (STR-DB2000)	C485	1-164-161-11	CERAMIC CHIP 0.0022uF	10% 50V
C422	1-126-965-91	ELECT 22uF	20% 50V	C486	1-164-161-11	CERAMIC CHIP 0.0022uF	10% 50V
C423	1-126-965-91	ELECT 22uF	20% 50V	C487	1-163-038-00	CERAMIC CHIP 0.1uF	25V
C424	1-126-965-91	ELECT 22uF	20% 50V	C488	1-163-251-11	CERAMIC CHIP 100PF	5% 50V
C425	1-126-965-91	ELECT 22uF	20% 50V	C511	1-163-251-11	CERAMIC CHIP 100PF	5% 50V (STR-DB2000)
C431	1-163-251-11	CERAMIC CHIP 100PF	5% 50V (STR-DB2000)	C513	1-163-251-11	CERAMIC CHIP 100PF	5% 50V (STR-DB2000)
C432	1-163-125-00	CERAMIC CHIP 220PF	5% 50V (STR-DB2000)	C515	1-163-251-11	CERAMIC CHIP 100PF	5% 50V (STR-DB2000)
C433	1-126-961-11	ELECT 2.2uF	20% 50V	C516	1-163-251-11	CERAMIC CHIP 100PF	5% 50V (STR-DB2000)
C434	1-163-251-11	CERAMIC CHIP 100PF	5% 50V (STR-DB2000)	C517	1-163-251-11	CERAMIC CHIP 100PF	5% 50V (STR-DB2000)
C435	1-126-934-11	ELECT 220uF	20% 16V	C519	1-163-251-11	CERAMIC CHIP 100PF	5% 50V (STR-DB2000)
C436	1-125-896-91	MYLAR 0.0091uF	5% 50V	C521	1-163-251-11	CERAMIC CHIP 100PF	5% 50V (STR-DB2000)
C437	1-136-159-00	MYLAR 0.033uF	5% 50V				
C438	1-126-961-11	ELECT 2.2uF	20% 50V	C522	1-126-965-91	ELECT 22uF	20% 50V
C441	1-126-965-91	ELECT 22uF	20% 50V (STR-DA2000ES)	C523	1-126-965-91	ELECT 22uF	20% 50V
C442	1-126-965-91	ELECT 22uF	20% 50V (STR-DA2000ES)	C524	1-126-965-91	ELECT 22uF	20% 50V
C453	1-126-965-91	ELECT 22uF	20% 50V (STR-DA2000ES)	C525	1-126-965-91	ELECT 22uF	20% 50V
C454	1-126-934-11	ELECT 220uF	20% 16V (STR-DA2000ES)	C531	1-163-251-11	CERAMIC CHIP 100PF	5% 50V (STR-DB2000)

# STR-DA2000ES/DB2000

## 2CH. AU

Ref. No.	Part No.	Description	Remark
C532	1-163-125-00	CERAMIC CHIP 220PF 5%	50V (STR-DB2000)
C533	1-126-961-11	ELECT 2.2uF 20%	50V
C534	1-163-251-11	CERAMIC CHIP 100PF 5%	50V (STR-DB2000)
C535	1-126-934-11	ELECT 220uF 20%	16V
C536	1-125-896-91	MYLAR 0.0091uF 5%	50V
C537	1-136-159-00	MYLAR 0.033uF 5%	50V
C538	1-126-961-11	ELECT 2.2uF 20%	50V
C541	1-126-965-91	ELECT 22uF 20%	50V (STR-DA2000ES)
C542	1-126-965-91	ELECT 22uF 20%	50V (STR-DA2000ES)
C553	1-126-965-91	ELECT 22uF 20%	50V (STR-DA2000ES)
C554	1-126-934-11	ELECT 220uF 20%	16V (STR-DA2000ES)
C555	1-137-505-11	MYLAR 220PF 5%	50V (STR-DA2000ES)
C556	1-126-965-91	ELECT 22uF 20%	50V (STR-DA2000ES)
C557	1-163-251-11	CERAMIC CHIP 100PF 5%	50V (STR-DA2000ES)
C572	1-163-251-11	CERAMIC CHIP 100PF 5%	50V (STR-DB2000)
C573	1-163-251-11	CERAMIC CHIP 100PF 5%	50V (STR-DB2000)
C574	1-163-251-11	CERAMIC CHIP 100PF 5%	50V (STR-DB2000)
C575	1-163-251-11	CERAMIC CHIP 100PF 5%	50V (STR-DB2000)
C576	1-163-251-11	CERAMIC CHIP 100PF 5%	50V (STR-DB2000)
C577	1-163-251-11	CERAMIC CHIP 100PF 5%	50V (STR-DB2000)
C578	1-163-251-11	CERAMIC CHIP 100PF 5%	50V (STR-DB2000)
C579	1-163-251-11	CERAMIC CHIP 100PF 5%	50V (STR-DB2000)
C585	1-164-161-11	CERAMIC CHIP 0.0022uF 10%	50V
C586	1-164-161-11	CERAMIC CHIP 0.0022uF 10%	50V
C587	1-163-038-00	CERAMIC CHIP 0.1uF	25V
C588	1-163-251-11	CERAMIC CHIP 100PF 5%	50V
C611	1-216-295-00	SHORT CHIP 0	
C612	1-216-295-00	SHORT CHIP 0	
C613	1-216-295-00	SHORT CHIP 0	
C614	1-216-295-00	SHORT CHIP 0	
C615	1-216-295-00	SHORT CHIP 0	(STR-DA2000ES)
C631	1-163-033-00	CERAMIC CHIP 0.022uF	50V
C632	1-163-033-00	CERAMIC CHIP 0.022uF	50V
C652	1-164-161-11	CERAMIC CHIP 0.0022uF 10%	50V (STR-DA2000ES)
C653	1-164-161-11	CERAMIC CHIP 0.0022uF 10%	50V (STR-DA2000ES)
C654	1-163-021-11	CERAMIC CHIP 0.01uF 10%	50V (STR-DA2000ES)
C659	1-164-161-11	CERAMIC CHIP 0.0022uF 10%	50V (STR-DA2000ES)
C661	1-165-319-11	CERAMIC CHIP 0.1uF	50V
C662	1-165-319-11	CERAMIC CHIP 0.1uF	50V
C663	1-165-319-11	CERAMIC CHIP 0.1uF	50V

Ref. No.	Part No.	Description	Remark
C664	1-165-319-11	CERAMIC CHIP 0.1uF	50V
C665	1-126-933-11	ELECT 100uF 20%	16V (STR-DA2000ES)
C665	1-127-718-11	ELECT 100uF 20%	16V (STR-DB2000: SP, MY)
C665	1-135-709-11	ELECT 100uF	16V (STR-DB2000: AEP, UK)
C666	1-126-933-11	ELECT 100uF 20%	16V (STR-DA2000ES)
C666	1-127-718-11	ELECT 100uF 20%	16V (STR-DB2000: SP, MY)
C666	1-135-709-11	ELECT 100uF 20%	16V (STR-DB2000: AEP, UK)
C671	1-126-943-11	ELECT 2200uF 20%	25V (EXCEPT STR-DB2000: AEP, UK)
C671	1-135-686-51	ELECT 2200uF	25V (STR-DB2000: AEP, UK)
C672	1-126-943-11	ELECT 2200uF 20%	25V (EXCEPT STR-DB2000: AEP, UK)
C672	1-135-686-51	ELECT 2200uF	25V (STR-DB2000: AEP, UK)
C673	1-100-023-31	ELECT 39uF 20%	16V
C674	1-100-023-31	ELECT 39uF 20%	16V
C685	1-164-161-11	CERAMIC CHIP 0.0022uF 10%	50V (STR-DA2000ES)
C686	1-164-161-11	CERAMIC CHIP 0.0022uF 10%	50V (STR-DA2000ES)
C687	1-163-038-00	CERAMIC CHIP 0.1uF	25V (STR-DA2000ES)
C688	1-163-251-11	CERAMIC CHIP 100PF 5%	50V (STR-DA2000ES)
C691	1-126-968-11	ELECT 100uF 20%	50V (EXCEPT STR-DB2000: AEP, UK)
C691	1-135-756-91	ELECT 100uF	50V (STR-DB2000: AEP, UK)
C692	1-126-943-11	ELECT 2200uF 20%	25V (EXCEPT STR-DB2000: AEP, UK)
C692	1-135-686-51	ELECT 2200uF	25V (STR-DB2000: AEP, UK)
C693	1-126-943-11	ELECT 2200uF 20%	25V (EXCEPT STR-DB2000: AEP, UK)
C693	1-135-686-51	ELECT 2200uF	25V (STR-DB2000: AEP, UK)
C694	1-136-169-00	MYLAR 0.22uF 5%	50V
C695	1-136-169-00	MYLAR 0.22uF 5%	50V
C696	1-126-941-11	ELECT 470uF 20%	25V (EXCEPT STR-DB2000: AEP, UK)
C696	1-135-684-91	ELECT 470uF	25V (STR-DB2000: AEP, UK)
C697	1-136-169-00	MYLAR 0.22uF 5%	50V
< CONNECTOR >			
CNP607	1-784-925-11	PIN, CONNECTOR 10P	
CNP609	1-779-978-21	PIN, CONNECTOR 3P (STR-DB2000)	
CNP609	1-784-923-11	PIN, CONNECTOR 7P (STR-DA2000ES)	
CNP610	1-779-978-11	PIN, CONNECTOR 3P	
< DIODE >			
D641	8-719-988-61	DIODE 1SS355TE-17 (STR-DA2000ES)	
D651	8-719-988-61	DIODE 1SS355TE-17 (STR-DA2000ES)	

Ref. No.	Part No.	Description	Remark	Ref. No.	Part No.	Description	Remark
		< EARTH TERMINAL >		Q662	8-729-027-24	TRANSISTOR	DTA114TKA-T146 (STR-DA2000ES)
* EPT601	1-537-738-21	TERMINAL, EARTH				< RESISTOR >	
		< IC >		R410	1-216-049-11	RES-CHIP	1K 5% 1/10W
IC151	8-759-582-64	IC TC9273N-004		R411	1-216-198-00	RES-CHIP	1K 5% 1/8W
IC171	8-759-582-66	IC TC9273N-013 (STR-DA2000ES)				(EXCEPT STR-DB2000: AEP, UK)	
IC201	8-759-582-65	IC TC9273N-014		R411	1-259-995-11	CARBON MELF	1K 2% 1/8W
IC301	8-759-636-55	IC M5218AFP				(STR-DB2000: AEP, UK)	
IC604	8-759-636-55	IC M5218AFP		R412	1-216-049-11	RES-CHIP	1K 5% 1/10W
				R413	1-216-049-11	RES-CHIP	1K 5% 1/10W
IC611	8-759-636-55	IC M5218AFP		R414	1-216-049-11	RES-CHIP	1K 5% 1/10W
IC612	8-759-636-55	IC M5218AFP		R415	1-216-049-11	RES-CHIP	1K 5% 1/10W
IC613	8-759-636-55	IC M5218AFP		R416	1-216-049-11	RES-CHIP	1K 5% 1/10W
IC614	8-759-636-55	IC M5218AFP		R417	1-216-049-11	RES-CHIP	1K 5% 1/10W
IC615	8-759-636-55	IC M5218AFP		R418	1-216-049-11	RES-CHIP	1K 5% 1/10W
IC616	8-759-636-55	IC M5218AFP		R419	1-216-049-11	RES-CHIP	1K 5% 1/10W
IC617	8-759-636-55	IC M5218AFP		R420	1-216-049-11	RES-CHIP	1K 5% 1/10W
IC618	8-759-636-55	IC M5218AFP		R421	1-216-049-11	RES-CHIP	1K 5% 1/10W
IC619	8-759-636-55	IC M5218AFP		R422	1-216-238-91	RES-CHIP	47K 5% 1/8W
IC620	8-759-636-55	IC M5218AFP				(EXCEPT STR-DB2000: AEP, UK)	
IC621	8-759-636-55	IC M5218AFP		R422	1-260-016-11	CARBON MELF	47K 2% 1/8W
IC622	8-759-636-55	IC M5218AFP				(STR-DB2000: AEP, UK)	
IC641	8-759-636-55	IC M5218AFP (STR-DA2000ES)		R423	1-216-089-11	RES-CHIP	47K 5% 1/10W
IC652	6-702-387-01	IC CXD9725M (STR-DA2000ES)		R424	1-216-089-11	RES-CHIP	47K 5% 1/10W
IC653	8-759-636-55	IC M5218AFP (STR-DA2000ES)		R425	1-216-089-11	RES-CHIP	47K 5% 1/10W
IC661	8-759-473-41	IC BA10T		R426	1-216-089-11	RES-CHIP	47K 5% 1/10W
IC662	8-759-604-50	IC M5F7910L		R427	1-216-089-11	RES-CHIP	47K 5% 1/10W
IC691	8-759-231-53	IC TA7805S		R428	1-216-089-11	RES-CHIP	47K 5% 1/10W
		< JACK >		R429	1-216-089-11	RES-CHIP	47K 5% 1/10W
J605	1-774-411-11	JACK, PIN 6P (PHONO AUDIO IN, CD/SACD AUDIO IN, MD/DAT AUDIO OUT)		R431	1-216-057-00	RES-CHIP	2.2K 5% 1/10W
J606	1-774-411-11	JACK, PIN 6P (MD/DAT AUDIO IN, TAPE AUDIO OUT, TAPE AUDIO IN)				(STR-DB2000)	
J607	1-774-411-11	JACK, PIN 6P (TV/SAT AUDIO IN, DVD AUDIO IN, VIDEO2 AUDIO OUT)		R431	1-216-295-00	SHORT CHIP	0 (STR-DA2000ES)
J608	1-774-411-11	JACK, PIN 6P (VIDEO2 AUDIO IN, VIDEO1 AUDIO OUT, VIDEO1 AUDIO IN)		R432	1-216-097-11	RES-CHIP	100K 5% 1/10W
J609	1-695-188-31	JACK, PIN 4P (2ND ZONE OUT, PRE OUT FRONT) (STR-DA2000ES)		R433	1-216-097-11	RES-CHIP	100K 5% 1/10W
		< JUMPER RESISTOR >		R434	1-216-031-00	RES-CHIP	180 5% 1/10W
JW621	1-216-295-00	SHORT CHIP	0	R435	1-216-071-00	RES-CHIP	8.2K 5% 1/10W
JW622	1-216-295-00	SHORT CHIP	0	R436	1-216-097-11	RES-CHIP	100K 5% 1/10W
JW624	1-216-295-00	SHORT CHIP	0	R437	1-216-025-11	RES-CHIP	100 5% 1/10W
JW651	1-216-295-00	SHORT CHIP	0	R438	1-216-097-11	RES-CHIP	100K 5% 1/10W
		< COIL >		R439	1-216-041-00	RES-CHIP	470 5% 1/10W
L671	1-409-575-11	INDUCTOR	1mH	R441	1-216-089-11	RES-CHIP	47K 5% 1/10W
L672	1-456-520-11	INDUCTOR	1mH			(STR-DA2000ES)	
		< TRANSISTOR >		R444	1-216-093-11	RES-CHIP	68K 5% 1/10W
Q631	8-729-230-49	TRANSISTOR	2SC2712-YG (STR-DA2000ES)	R445	1-216-025-11	RES-CHIP	100 5% 1/10W
Q632	8-729-027-24	TRANSISTOR	DTA114TKA-T146 (STR-DA2000ES)			(STR-DA2000ES)	
Q641	8-729-230-49	TRANSISTOR	2SC2712-YG (STR-DA2000ES)	R446	1-216-065-00	RES-CHIP	4.7K 5% 1/10W
Q651	8-729-230-49	TRANSISTOR	2SC2712-YG (STR-DA2000ES)	R447	1-216-049-11	RES-CHIP	1K 5% 1/10W
						(STR-DA2000ES)	
				R452	1-216-049-11	RES-CHIP	1K 5% 1/10W
				R453	1-216-097-11	RES-CHIP	100K 5% 1/10W
				R454	1-216-093-11	RES-CHIP	68K 5% 1/10W
						(STR-DA2000ES)	
				R455	1-216-025-11	RES-CHIP	100 5% 1/10W
						(STR-DA2000ES)	

# STR-DA2000ES/DB2000

## 2CH. AU

Ref. No.	Part No.	Description	Remark
R456	1-216-065-00	RES-CHIP	4.7K 5% 1/10W (STR-DA2000ES)
R457	1-216-049-11	RES-CHIP	1K 5% 1/10W (STR-DA2000ES)
R461	1-216-089-11	RES-CHIP	47K 5% 1/10W
R462	1-216-073-00	RES-CHIP	10K 5% 1/10W
R463	1-216-073-00	RES-CHIP	10K 5% 1/10W
R464	1-216-073-00	RES-CHIP	10K 5% 1/10W
R465	1-216-073-00	RES-CHIP	10K 5% 1/10W
R485	1-216-013-00	RES-CHIP	33 5% 1/10W
R486	1-216-013-00	RES-CHIP	33 5% 1/10W
R487	1-216-295-00	SHORT CHIP	0
R488	1-216-295-00	SHORT CHIP	0
R489	1-216-295-00	SHORT CHIP	0
R491	1-216-097-11	RES-CHIP	100K 5% 1/10W
R492	1-216-097-11	RES-CHIP	100K 5% 1/10W
R493	1-216-097-11	RES-CHIP	100K 5% 1/10W
R494	1-216-097-11	RES-CHIP	100K 5% 1/10W
R510	1-216-049-11	RES-CHIP	1K 5% 1/10W
R511	1-216-198-00	RES-CHIP	1K 5% 1/8W (EXCEPT STR-DB2000: AEP, UK)
R511	1-259-995-11	CARBON MELF	1K 2% 1/8W (STR-DB2000: AEP, UK)
R512	1-216-049-11	RES-CHIP	1K 5% 1/10W
R513	1-216-049-11	RES-CHIP	1K 5% 1/10W
R514	1-216-049-11	RES-CHIP	1K 5% 1/10W
R515	1-216-049-11	RES-CHIP	1K 5% 1/10W
R516	1-216-049-11	RES-CHIP	1K 5% 1/10W
R517	1-216-049-11	RES-CHIP	1K 5% 1/10W
R518	1-216-049-11	RES-CHIP	1K 5% 1/10W
R519	1-216-049-11	RES-CHIP	1K 5% 1/10W
R520	1-216-049-11	RES-CHIP	1K 5% 1/10W
R521	1-216-049-11	RES-CHIP	1K 5% 1/10W
R522	1-216-238-91	RES-CHIP	47K 5% 1/8W (EXCEPT STR-DB2000: AEP, UK)
R522	1-260-016-11	CARBON MELF	47K 2% 1/8W (STR-DB2000: AEP, UK)
R523	1-216-089-11	RES-CHIP	47K 5% 1/10W
R524	1-216-089-11	RES-CHIP	47K 5% 1/10W
R525	1-216-089-11	RES-CHIP	47K 5% 1/10W
R526	1-216-089-11	RES-CHIP	47K 5% 1/10W
R527	1-216-089-11	RES-CHIP	47K 5% 1/10W
R528	1-216-089-11	RES-CHIP	47K 5% 1/10W
R529	1-216-089-11	RES-CHIP	47K 5% 1/10W
R531	1-216-057-00	RES-CHIP	2.2K 5% 1/10W (STR-DB2000)
R531	1-216-295-00	SHORT CHIP	0 (STR-DA2000ES)
R532	1-216-097-11	RES-CHIP	100K 5% 1/10W
R533	1-216-097-11	RES-CHIP	100K 5% 1/10W
R534	1-216-031-00	RES-CHIP	180 5% 1/10W
R535	1-216-071-00	RES-CHIP	8.2K 5% 1/10W
R536	1-216-097-11	RES-CHIP	100K 5% 1/10W
R537	1-216-025-11	RES-CHIP	100 5% 1/10W
R538	1-216-097-11	RES-CHIP	100K 5% 1/10W
R539	1-216-041-00	RES-CHIP	470 5% 1/10W
R541	1-216-089-11	RES-CHIP	47K 5% 1/10W (STR-DA2000ES)
R544	1-216-093-11	RES-CHIP	68K 5% 1/10W (STR-DA2000ES)

Ref. No.	Part No.	Description	Remark
R545	1-216-025-11	RES-CHIP	100 5% 1/10W (STR-DA2000ES)
R546	1-216-065-00	RES-CHIP	4.7K 5% 1/10W (STR-DA2000ES)
R547	1-216-049-11	RES-CHIP	1K 5% 1/10W (STR-DA2000ES)
R552	1-216-049-11	RES-CHIP	1K 5% 1/10W (STR-DA2000ES)
R553	1-216-097-11	RES-CHIP	100K 5% 1/10W (STR-DA2000ES)
R554	1-216-093-11	RES-CHIP	68K 5% 1/10W (STR-DA2000ES)
R555	1-216-025-11	RES-CHIP	100 5% 1/10W (STR-DA2000ES)
R556	1-216-065-00	RES-CHIP	4.7K 5% 1/10W (STR-DA2000ES)
R557	1-216-049-11	RES-CHIP	1K 5% 1/10W (STR-DA2000ES)
R561	1-216-089-11	RES-CHIP	47K 5% 1/10W
R562	1-216-073-00	RES-CHIP	10K 5% 1/10W
R563	1-216-073-00	RES-CHIP	10K 5% 1/10W
R564	1-216-073-00	RES-CHIP	10K 5% 1/10W
R565	1-216-073-00	RES-CHIP	10K 5% 1/10W
R585	1-216-013-00	RES-CHIP	33 5% 1/10W
R586	1-216-013-00	RES-CHIP	33 5% 1/10W
R587	1-216-295-00	SHORT CHIP	0
R588	1-216-295-00	SHORT CHIP	0
R589	1-216-295-00	SHORT CHIP	0
R591	1-216-097-11	RES-CHIP	100K 5% 1/10W
R592	1-216-097-11	RES-CHIP	100K 5% 1/10W
R593	1-216-097-11	RES-CHIP	100K 5% 1/10W
R594	1-216-097-11	RES-CHIP	100K 5% 1/10W
R631	1-216-001-00	RES-CHIP	10 5% 1/10W (STR-DA2000ES)
R632	1-216-033-00	RES-CHIP	220 5% 1/10W (STR-DA2000ES)
R633	1-216-049-11	RES-CHIP	1K 5% 1/10W (STR-DA2000ES)
R644	1-216-065-00	RES-CHIP	4.7K 5% 1/10W (STR-DA2000ES)
R645	1-216-073-00	RES-CHIP	10K 5% 1/10W (STR-DA2000ES)
△ R646	1-249-393-11	CARBON	10 5% 1/4W F (STR-DA2000ES)
R652	1-216-013-00	RES-CHIP	33 5% 1/10W (STR-DA2000ES)
R653	1-216-013-00	RES-CHIP	33 5% 1/10W (STR-DA2000ES)
R654	1-216-065-00	RES-CHIP	4.7K 5% 1/10W (STR-DA2000ES)
R655	1-216-073-00	RES-CHIP	10K 5% 1/10W (STR-DA2000ES)
△ R656	1-249-393-11	CARBON	10 5% 1/4W F (STR-DA2000ES)
R657	1-216-295-00	SHORT CHIP	0 (STR-DA2000ES)
R658	1-216-295-00	SHORT CHIP	0 (STR-DA2000ES)
R659	1-216-295-00	SHORT CHIP	0 (STR-DA2000ES)
R681	1-216-073-00	RES-CHIP	10K 5% 1/10W
R682	1-216-073-00	RES-CHIP	10K 5% 1/10W
R685	1-216-013-00	RES-CHIP	33 5% 1/10W (STR-DA2000ES)

The components identified by mark △ or dotted line with mark △ are critical for safety. Replace only with part number specified.

Les composants identifiés par une marque △ sont critiques pour la sécurité. Ne les remplacer que par une pièce portant le numéro spécifié.



**2CH. AU**      **CIS**      **D. AMP**

Ref. No.	Part No.	Description	Remark	Ref. No.	Part No.	Description	Remark
R686	1-216-013-00	RES-CHIP	33 5% 1/10W (STR-DA2000ES)			< RESISTOR >	
R687	1-216-295-00	SHORT CHIP	0 (STR-DA2000ES)	R801	1-216-073-00	RES-CHIP	10K 5% 1/10W
R688	1-216-295-00	SHORT CHIP	0 (STR-DA2000ES)	R802	1-216-001-00	RES-CHIP	10 5% 1/10W
R689	1-216-295-00	SHORT CHIP	0 (STR-DA2000ES)	R803	1-216-097-11	RES-CHIP	100K 5% 1/10W
		< RELAY >		R804	1-216-073-00	RES-CHIP	10K 5% 1/10W
				R805	1-216-097-11	RES-CHIP	100K 5% 1/10W
RY641	1-755-486-11	RELAY (STR-DA2000ES)		R806	1-216-025-11	RES-CHIP	100 5% 1/10W
RY651	1-755-486-11	RELAY (STR-DA2000ES)		R807	1-216-025-11	RES-CHIP	100 5% 1/10W
*****				R842	1-216-073-00	RES-CHIP	10K 5% 1/10W
	A-4733-946-A	CIS BOARD, COMPLETE (STR-DA2000ES)		R843	1-216-049-11	RES-CHIP	1K 5% 1/10W
		*****		R844	1-216-073-00	RES-CHIP	10K 5% 1/10W
		< CAPACITOR >					
C801	1-126-947-11	ELECT	47uF 20% 35V	R845	1-216-025-11	RES-CHIP	100 5% 1/10W
C802	1-165-319-11	CERAMIC CHIP	0.1uF 50V	R846	1-216-049-11	RES-CHIP	1K 5% 1/10W
C803	1-126-961-11	ELECT	2.2uF 20% 50V	R871	1-216-025-11	RES-CHIP	100 5% 1/10W
C840	1-216-295-00	SHORT CHIP	0	R872	1-216-025-11	RES-CHIP	100 5% 1/10W
C841	1-126-960-11	ELECT	1uF 20% 50V			< THERMISTOR (POSITIVE) >	
C851	1-126-767-11	ELECT	1000uF 20% 16V	THP841	1-801-726-11	THERMISTOR, POSITIVE	
C852	1-165-319-11	CERAMIC CHIP	0.1uF 50V	*****			
C871	1-216-295-00	SHORT CHIP	0	A-4733-916-A	D. AMP BOARD, COMPLETE (STR-DA2000ES)		
C872	1-165-319-11	CERAMIC CHIP	0.1uF 50V	A-4734-020-A	D. AMP BOARD, COMPLETE		
C873	1-165-319-11	CERAMIC CHIP	0.1uF 50V			(STR-DB2000: SP, MY)	
				A-4734-050-A	D. AMP BOARD, COMPLETE		
C874	1-165-319-11	CERAMIC CHIP	0.1uF 50V			(STR-DB2000: AEP, UK)	
C875	1-165-319-11	CERAMIC CHIP	0.1uF 50V			*****	
C876	1-165-319-11	CERAMIC CHIP	0.1uF 50V				
C877	1-126-947-11	ELECT	47uF 20% 35V	* 3-309-144-21	HEAT SINK (STR-DB2000)		
		< CONNECTOR >		4-857-425-00	BUSHING, 03P INSULATING		
				7-685-646-79	SCREW +BVTP 3X8 TYPE2 IT-3		
CN801	1-568-826-11	CONNECTOR, FFC 7P				< CAPACITOR >	
		< DIODE >		C1301	1-100-187-11	MYLAR	0.27uF 5% 250V
D801	8-719-988-61	DIODE 1SS355TE-17		C1302	1-100-187-11	MYLAR	0.27uF 5% 250V
D802	8-719-075-86	LED SID307BRTP19 (REMOTE CONTROL TRANSCEIVER)		C1303	1-100-187-11	MYLAR	0.27uF 5% 250V
D803	8-719-988-61	DIODE 1SS355TE-17		C1304	1-100-187-11	MYLAR	0.27uF 5% 250V
		< FERRITE BEAD >		C1305	1-100-187-11	MYLAR	0.27uF 5% 250V
FB871	1-469-152-11	FERRITE, EMI (SMD) (2012)		C1306	1-100-187-11	MYLAR	0.27uF 5% 250V
		< IC >		C1307	1-100-187-11	MYLAR	0.27uF 5% 250V
IC801	8-759-826-32	IC NJL72H400A				(STR-DA2000ES)	
IC802	8-759-564-49	IC TC7W53FU (TE12R)		C1311	1-100-187-11	MYLAR	0.27uF 5% 250V
IC871	8-759-663-90	IC ADM3222ARU-REEL		C1312	1-100-187-11	MYLAR	0.27uF 5% 250V
		< JACK >		C1313	1-100-187-11	MYLAR	0.27uF 5% 250V
J801	1-563-330-11	JACK (IR REMOTE OUT)					
J802	1-563-330-11	JACK (IR REMOTE IN)		C1314	1-100-187-11	MYLAR	0.27uF 5% 250V
J841	1-563-330-11	JACK (TRIGGER OUT)		C1315	1-100-187-11	MYLAR	0.27uF 5% 250V
J871	1-815-737-11	CONNECTOR, (D) SUB 9P (RS232C)		C1316	1-100-187-11	MYLAR	0.27uF 5% 250V
		< TRANSISTOR >		C1317	1-100-187-11	MYLAR	0.27uF 5% 250V
Q841	8-729-140-93	TRANSISTOR 2SB733-34				(STR-DA2000ES)	
Q842	8-729-900-53	TRANSISTOR DTC114EK		C1319	1-100-188-11	MYLAR	0.75uF 5% 250V
				C1321	1-100-156-91	CERAMIC CHIP	680PF 5% 100V
				C1322	1-100-156-91	CERAMIC CHIP	680PF 5% 100V
				C1323	1-100-156-91	CERAMIC CHIP	680PF 5% 100V
				C1324	1-100-156-91	CERAMIC CHIP	680PF 5% 100V
				C1325	1-100-156-91	CERAMIC CHIP	680PF 5% 100V
				C1326	1-100-156-91	CERAMIC CHIP	680PF 5% 100V
				C1327	1-100-156-91	CERAMIC CHIP	680PF 5% 100V
						(STR-DA2000ES)	
				C1329	1-100-188-11	MYLAR	0.75uF 5% 250V
				C1331	1-100-156-91	CERAMIC CHIP	680PF 5% 100V
				C1332	1-100-156-91	CERAMIC CHIP	680PF 5% 100V

# STR-DA2000ES/DB2000

## D. AMP

Ref. No.	Part No.	Description	Remark	Ref. No.	Part No.	Description	Remark
C1333	1-100-156-91	CERAMIC CHIP	680PF 5% 100V	C1397	1-100-156-91	CERAMIC CHIP	680PF 5% 100V (STR-DA2000ES)
C1334	1-100-156-91	CERAMIC CHIP	680PF 5% 100V	C1400	1-126-964-11	ELECT	10uF 20% 50V (STR-DA2000ES)
C1335	1-100-156-91	CERAMIC CHIP	680PF 5% 100V	C1400	1-119-824-11	ELECT	10uF 20% 50V (STR-DB2000: SP, MY)
C1336	1-100-156-91	CERAMIC CHIP	680PF 5% 100V	C1400	1-135-743-11	ELECT	10uF 50V (STR-DB2000: AEP, UK)
C1337	1-100-156-91	CERAMIC CHIP	680PF 5% 100V (STR-DA2000ES)	C1401	1-126-935-11	ELECT	470uF 20% 16V (STR-DA2000ES)
C1339	1-100-188-11	MYLAR	0.75uF 5% 250V	C1401	1-127-720-91	ELECT	470uF 20% 16V (STR-DB2000: SP, MY)
C1341	1-100-156-91	CERAMIC CHIP	680PF 5% 100V	C1401	1-135-711-91	ELECT	470uF 16V (STR-DB2000: AEP, UK)
C1342	1-100-156-91	CERAMIC CHIP	680PF 5% 100V	C1402	1-126-935-11	ELECT	470uF 20% 16V (STR-DA2000ES)
C1343	1-100-156-91	CERAMIC CHIP	680PF 5% 100V	C1402	1-127-720-91	ELECT	470uF 20% 16V (STR-DB2000: SP, MY)
C1344	1-100-156-91	CERAMIC CHIP	680PF 5% 100V	C1402	1-135-711-91	ELECT	470uF 16V (STR-DB2000: AEP, UK)
C1345	1-100-156-91	CERAMIC CHIP	680PF 5% 100V	C1403	1-126-935-11	ELECT	470uF 20% 16V (STR-DA2000ES)
C1346	1-100-156-91	CERAMIC CHIP	680PF 5% 100V	C1403	1-127-720-91	ELECT	470uF 20% 16V (STR-DB2000: SP, MY)
C1347	1-100-156-91	CERAMIC CHIP	680PF 5% 100V (STR-DA2000ES)	C1403	1-135-711-91	ELECT	470uF 16V (STR-DB2000: AEP, UK)
C1349	1-100-188-11	MYLAR	0.75uF 5% 250V	C1404	1-126-935-11	ELECT	470uF 20% 16V (STR-DA2000ES)
C1351	1-100-156-91	CERAMIC CHIP	680PF 5% 100V	C1404	1-127-720-91	ELECT	470uF 20% 16V (STR-DB2000: SP, MY)
C1352	1-100-156-91	CERAMIC CHIP	680PF 5% 100V	C1404	1-135-711-91	ELECT	470uF 16V (STR-DB2000: AEP, UK)
C1353	1-100-156-91	CERAMIC CHIP	680PF 5% 100V	C1406	1-162-974-11	CERAMIC CHIP	0.01uF 50V
C1354	1-100-156-91	CERAMIC CHIP	680PF 5% 100V	C1407	1-162-974-11	CERAMIC CHIP	0.01uF 50V
C1355	1-100-156-91	CERAMIC CHIP	680PF 5% 100V	C1408	1-162-974-11	CERAMIC CHIP	0.01uF 50V
C1356	1-100-156-91	CERAMIC CHIP	680PF 5% 100V	C1409	1-162-974-11	CERAMIC CHIP	0.01uF 50V
C1357	1-100-156-91	CERAMIC CHIP	680PF 5% 100V (STR-DA2000ES)	C1410	1-164-156-11	CERAMIC CHIP	0.1uF 25V
C1359	1-100-188-11	MYLAR	0.75uF 5% 250V	C1411	1-164-156-11	CERAMIC CHIP	0.1uF 25V
C1361	1-100-156-91	CERAMIC CHIP	680PF 5% 100V	C1412	1-164-156-11	CERAMIC CHIP	0.1uF 25V
C1362	1-100-156-91	CERAMIC CHIP	680PF 5% 100V	C1413	1-164-156-11	CERAMIC CHIP	0.1uF 25V
C1363	1-100-156-91	CERAMIC CHIP	680PF 5% 100V	C1414	1-164-156-11	CERAMIC CHIP	0.1uF 25V
C1364	1-100-156-91	CERAMIC CHIP	680PF 5% 100V	C1416	1-164-156-11	CERAMIC CHIP	0.1uF 25V
C1365	1-100-156-91	CERAMIC CHIP	680PF 5% 100V	C1417	1-164-156-11	CERAMIC CHIP	0.1uF 25V
C1366	1-100-156-91	CERAMIC CHIP	680PF 5% 100V	C1418	1-164-156-11	CERAMIC CHIP	0.1uF 25V
C1367	1-100-156-91	CERAMIC CHIP	680PF 5% 100V (STR-DA2000ES)	C1419	1-164-156-11	CERAMIC CHIP	0.1uF 25V
C1369	1-100-188-11	MYLAR	0.75uF 5% 250V (STR-DA2000ES)	C1421	1-162-974-11	CERAMIC CHIP	0.01uF 50V
C1371	1-100-156-91	CERAMIC CHIP	680PF 5% 100V	C1422	1-162-974-11	CERAMIC CHIP	0.01uF 50V
C1372	1-100-156-91	CERAMIC CHIP	680PF 5% 100V	C1423	1-162-974-11	CERAMIC CHIP	0.01uF 50V
C1373	1-100-156-91	CERAMIC CHIP	680PF 5% 100V	C1424	1-162-974-11	CERAMIC CHIP	0.01uF 50V
C1374	1-100-156-91	CERAMIC CHIP	680PF 5% 100V	C1426	1-162-962-11	CERAMIC CHIP	470PF 10% 50V
C1375	1-100-156-91	CERAMIC CHIP	680PF 5% 100V	C1427	1-162-962-11	CERAMIC CHIP	470PF 10% 50V
C1376	1-100-156-91	CERAMIC CHIP	680PF 5% 100V	C1428	1-162-962-11	CERAMIC CHIP	470PF 10% 50V
C1377	1-100-156-91	CERAMIC CHIP	680PF 5% 100V (STR-DA2000ES)	C1429	1-162-962-11	CERAMIC CHIP	470PF 10% 50V
C1379	1-100-188-11	MYLAR	0.75uF 5% 250V (STR-DA2000ES)	C1431	1-126-935-11	ELECT	470uF 20% 16V (STR-DA2000ES)
C1381	1-100-156-91	CERAMIC CHIP	680PF 5% 100V	C1431	1-127-720-91	ELECT	470uF 20% 16V (STR-DB2000: SP, MY)
C1382	1-100-156-91	CERAMIC CHIP	680PF 5% 100V	C1431	1-135-711-91	ELECT	470uF 16V (STR-DB2000: AEP, UK)
C1383	1-100-156-91	CERAMIC CHIP	680PF 5% 100V	C1436	1-164-156-11	CERAMIC CHIP	0.1uF 25V
C1384	1-100-156-91	CERAMIC CHIP	680PF 5% 100V				
C1385	1-100-156-91	CERAMIC CHIP	680PF 5% 100V				
C1386	1-100-156-91	CERAMIC CHIP	680PF 5% 100V				
C1387	1-100-156-91	CERAMIC CHIP	680PF 5% 100V (STR-DA2000ES)				
C1391	1-100-156-91	CERAMIC CHIP	680PF 5% 100V				
C1392	1-100-156-91	CERAMIC CHIP	680PF 5% 100V				
C1393	1-100-156-91	CERAMIC CHIP	680PF 5% 100V				
C1394	1-100-156-91	CERAMIC CHIP	680PF 5% 100V				
C1395	1-100-156-91	CERAMIC CHIP	680PF 5% 100V				
C1396	1-100-156-91	CERAMIC CHIP	680PF 5% 100V				

## D. AMP

Ref. No.	Part No.	Description	Remark	Ref. No.	Part No.	Description	Remark
C1437	1-164-156-11	CERAMIC CHIP	0.1uF 25V	C1481	1-162-960-11	CERAMIC CHIP 220PF	10% 50V
C1438	1-164-156-11	CERAMIC CHIP	0.1uF 25V	C1482	1-162-960-11	CERAMIC CHIP 220PF	10% 50V
C1439	1-164-156-11	CERAMIC CHIP	0.1uF 25V	C1483	1-117-720-11	CERAMIC CHIP 4.7uF	10V
C1441	1-164-156-11	CERAMIC CHIP	0.1uF 25V	C1484	1-117-720-11	CERAMIC CHIP 4.7uF	10V
C1442	1-164-156-11	CERAMIC CHIP	0.1uF 25V	C1485	1-117-720-11	CERAMIC CHIP 4.7uF	10V
C1443	1-164-156-11	CERAMIC CHIP	0.1uF 25V	C1486	1-117-720-11	CERAMIC CHIP 4.7uF	10V
C1444	1-164-156-11	CERAMIC CHIP	0.1uF 25V	C1487	1-162-927-11	CERAMIC CHIP 100PF	5% 50V
C1446	1-126-935-11	ELECT	470uF 20% 16V (STR-DA2000ES)	C1488	1-162-927-11	CERAMIC CHIP 100PF	5% 50V
C1446	1-127-720-91	ELECT	470uF 20% 16V (STR-DB2000: SP, MY)	C1489	1-126-934-11	ELECT 220uF	20% 16V (EXCEPT STR-DB2000: AEP, UK)
C1446	1-135-711-91	ELECT	470uF 16V (STR-DB2000: AEP, UK)	C1489	1-128-832-11	ELECT 220uF	20% 10V (STR-DB2000: AEP, UK)
C1447	1-126-935-11	ELECT	470uF 20% 16V (STR-DA2000ES)	C1490	1-164-156-11	CERAMIC CHIP 0.1uF	25V
C1447	1-127-720-91	ELECT	470uF 20% 16V (STR-DB2000: SP, MY)	C1491	1-162-927-11	CERAMIC CHIP 100PF	5% 50V
C1447	1-135-711-91	ELECT	470uF 16V (STR-DB2000: AEP, UK)	C1492	1-162-927-11	CERAMIC CHIP 100PF	5% 50V
C1448	1-126-935-11	ELECT	470uF 20% 16V (STR-DA2000ES)	C1493	1-162-964-11	CERAMIC CHIP 0.001uF	10% 50V
C1448	1-127-720-91	ELECT	470uF 20% 16V (STR-DB2000: SP, MY)	C1494	1-162-964-11	CERAMIC CHIP 0.001uF	10% 50V
C1448	1-135-711-91	ELECT	470uF 16V (STR-DB2000: AEP, UK)	C1495	1-162-927-11	CERAMIC CHIP 100PF	5% 50V
C1449	1-126-935-11	ELECT	470uF 20% 16V (STR-DA2000ES)	C1496	1-162-927-11	CERAMIC CHIP 100PF	5% 50V
C1449	1-127-720-91	ELECT	470uF 20% 16V (STR-DB2000: SP, MY)	C1497	1-126-934-11	ELECT 220uF	20% 16V (EXCEPT STR-DB2000: AEP, UK)
C1449	1-135-711-91	ELECT	470uF 16V (STR-DB2000: AEP, UK)	C1497	1-128-832-11	ELECT 220uF	20% 10V (STR-DB2000: AEP, UK)
C1451	1-164-156-11	CERAMIC CHIP	0.1uF 25V	C1498	1-126-934-11	ELECT 220uF	20% 16V (EXCEPT STR-DB2000: AEP, UK)
C1452	1-164-156-11	CERAMIC CHIP	0.1uF 25V	C1498	1-128-832-11	ELECT 220uF	20% 10V (STR-DB2000: AEP, UK)
C1453	1-164-156-11	CERAMIC CHIP	0.1uF 25V	C1499	1-164-156-11	CERAMIC CHIP 0.1uF	25V
C1454	1-164-156-11	CERAMIC CHIP	0.1uF 25V	C1501	1-162-968-11	CERAMIC CHIP 0.0047uF	10% 50V
C1456	1-162-974-11	CERAMIC CHIP	0.01uF 50V	C1502	1-162-968-11	CERAMIC CHIP 0.0047uF	10% 50V
C1457	1-162-974-11	CERAMIC CHIP	0.01uF 50V	C1511	1-162-924-11	CERAMIC CHIP 56PF	5% 50V
C1458	1-162-974-11	CERAMIC CHIP	0.01uF 50V	C1512	1-162-924-11	CERAMIC CHIP 56PF	5% 50V
C1459	1-162-974-11	CERAMIC CHIP	0.01uF 50V	C1513	1-162-924-11	CERAMIC CHIP 56PF	5% 50V
C1461	1-164-156-11	CERAMIC CHIP	0.1uF 25V	C1514	1-162-924-11	CERAMIC CHIP 56PF	5% 50V
C1462	1-164-156-11	CERAMIC CHIP	0.1uF 25V	C1515	1-162-924-11	CERAMIC CHIP 56PF	5% 50V
C1463	1-164-156-11	CERAMIC CHIP	0.1uF 25V	C1516	1-162-924-11	CERAMIC CHIP 56PF	5% 50V
C1464	1-164-156-11	CERAMIC CHIP	0.1uF 25V	C1517	1-162-924-11	CERAMIC CHIP 56PF	5% 50V (STR-DA2000ES)
C1466	1-162-974-11	CERAMIC CHIP	0.01uF 50V	C1521	1-162-924-11	CERAMIC CHIP 56PF	5% 50V
C1467	1-162-974-11	CERAMIC CHIP	0.01uF 50V	C1522	1-162-924-11	CERAMIC CHIP 56PF	5% 50V
C1468	1-162-974-11	CERAMIC CHIP	0.01uF 50V	C1523	1-162-924-11	CERAMIC CHIP 56PF	5% 50V
C1469	1-162-974-11	CERAMIC CHIP	0.01uF 50V	C1524	1-162-924-11	CERAMIC CHIP 56PF	5% 50V
C1470	1-126-935-11	ELECT	470uF 20% 16V (STR-DA2000ES)	C1525	1-162-924-11	CERAMIC CHIP 56PF	5% 50V
C1470	1-127-720-91	ELECT	470uF 20% 16V (STR-DB2000: SP, MY)	C1526	1-162-924-11	CERAMIC CHIP 56PF	5% 50V
C1470	1-135-711-91	ELECT	470uF 16V (STR-DB2000: AEP, UK)	C1527	1-162-924-11	CERAMIC CHIP 56PF	5% 50V (STR-DA2000ES)
C1471	1-162-908-11	CERAMIC CHIP	3PF 0.25PF 50V	C1531	1-162-924-11	CERAMIC CHIP 56PF	5% 50V
C1472	1-115-416-11	CERAMIC CHIP	0.001uF 5% 25V	C1532	1-162-924-11	CERAMIC CHIP 56PF	5% 50V
C1473	1-162-915-11	CERAMIC CHIP	10PF 0.5PF 50V	C1533	1-162-924-11	CERAMIC CHIP 56PF	5% 50V
C1476	1-164-156-11	CERAMIC CHIP	0.1uF 25V	C1534	1-162-924-11	CERAMIC CHIP 56PF	5% 50V
C1480	1-126-947-11	ELECT	47uF 20% 35V (EXCEPT STR-DB2000: AEP, UK)	C1535	1-162-924-11	CERAMIC CHIP 56PF	5% 50V
C1480	1-119-799-11	ELECT	47uF 20% 25V (STR-DB2000: AEP, UK)	C1536	1-162-924-11	CERAMIC CHIP 56PF	5% 50V
				C1537	1-162-924-11	CERAMIC CHIP 56PF	5% 50V (STR-DA2000ES)
				C1541	1-162-924-11	CERAMIC CHIP 56PF	5% 50V
				C1542	1-162-924-11	CERAMIC CHIP 56PF	5% 50V
				C1543	1-162-924-11	CERAMIC CHIP 56PF	5% 50V
				C1544	1-162-924-11	CERAMIC CHIP 56PF	5% 50V
				C1545	1-162-924-11	CERAMIC CHIP 56PF	5% 50V

# STR-DA2000ES/DB2000

## D. AMP

Ref. No.	Part No.	Description	Remark	Ref. No.	Part No.	Description	Remark
C1546	1-162-924-11	CERAMIC CHIP	56PF 5% 50V	C1581	1-135-711-91	ELECT	470uF 16V (STR-DB2000: AEP, UK)
C1547	1-162-924-11	CERAMIC CHIP	56PF 5% 50V (STR-DA2000ES)	C1582	1-126-935-11	ELECT	470uF 20% 16V (STR-DA2000ES)
C1551	1-164-156-11	CERAMIC CHIP	0.1uF 25V	C1582	1-127-720-91	ELECT	470uF 20% 16V (STR-DB2000: SP, MY)
C1552	1-164-156-11	CERAMIC CHIP	0.1uF 25V	C1582	1-135-711-91	ELECT	470uF 16V (STR-DB2000: AEP, UK)
C1553	1-164-156-11	CERAMIC CHIP	0.1uF 25V	C1583	1-126-935-11	ELECT	470uF 20% 16V (STR-DA2000ES)
C1554	1-164-156-11	CERAMIC CHIP	0.1uF 25V	C1583	1-127-720-91	ELECT	470uF 20% 16V (STR-DB2000: SP, MY)
C1555	1-164-156-11	CERAMIC CHIP	0.1uF 25V	C1583	1-135-711-91	ELECT	470uF 16V (STR-DB2000: AEP, UK)
C1556	1-164-156-11	CERAMIC CHIP	0.1uF 25V	C1584	1-126-935-11	ELECT	470uF 20% 16V (STR-DA2000ES)
C1557	1-164-156-11	CERAMIC CHIP	0.1uF 25V (STR-DA2000ES)	C1584	1-127-720-91	ELECT	470uF 20% 16V (STR-DB2000: SP, MY)
C1561	1-164-156-11	CERAMIC CHIP	0.1uF 25V	C1584	1-135-711-91	ELECT	470uF 16V (STR-DB2000: AEP, UK)
C1562	1-164-156-11	CERAMIC CHIP	0.1uF 25V	C1585	1-126-935-11	ELECT	470uF 20% 16V (STR-DA2000ES)
C1563	1-164-156-11	CERAMIC CHIP	0.1uF 25V	C1585	1-127-720-91	ELECT	470uF 20% 16V (STR-DB2000: SP, MY)
C1564	1-164-156-11	CERAMIC CHIP	0.1uF 25V	C1585	1-135-711-91	ELECT	470uF 16V (STR-DB2000: AEP, UK)
C1565	1-164-156-11	CERAMIC CHIP	0.1uF 25V	C1586	1-126-935-11	ELECT	470uF 20% 16V (STR-DA2000ES)
C1566	1-164-156-11	CERAMIC CHIP	0.1uF 25V	C1586	1-127-720-91	ELECT	470uF 20% 16V (STR-DB2000: SP, MY)
C1567	1-164-156-11	CERAMIC CHIP	0.1uF 25V (STR-DA2000ES)	C1586	1-135-711-91	ELECT	470uF 16V (STR-DB2000: AEP, UK)
C1571	1-126-935-11	ELECT	470uF 20% 16V (STR-DA2000ES)	C1587	1-126-935-11	ELECT	470uF 20% 16V (STR-DA2000ES)
C1571	1-127-720-91	ELECT	470uF 20% 16V (STR-DB2000: SP, MY)	C1591	1-164-156-11	CERAMIC CHIP	0.1uF 25V
C1571	1-135-711-91	ELECT	470uF 16V (STR-DB2000: AEP, UK)	C1592	1-164-156-11	CERAMIC CHIP	0.1uF 25V
C1572	1-126-935-11	ELECT	470uF 20% 16V (STR-DA2000ES)	C1593	1-164-156-11	CERAMIC CHIP	0.1uF 25V
C1572	1-127-720-91	ELECT	470uF 20% 16V (STR-DB2000: SP, MY)	C1594	1-164-156-11	CERAMIC CHIP	0.1uF 25V
C1572	1-135-711-91	ELECT	470uF 16V (STR-DB2000: AEP, UK)	C1595	1-164-156-11	CERAMIC CHIP	0.1uF 25V
C1573	1-126-935-11	ELECT	470uF 20% 16V (STR-DA2000ES)	C1596	1-164-156-11	CERAMIC CHIP	0.1uF 25V
C1573	1-127-720-91	ELECT	470uF 20% 16V (STR-DB2000: SP, MY)	C1597	1-164-156-11	CERAMIC CHIP	0.1uF 25V (STR-DA2000ES)
C1573	1-135-711-91	ELECT	470uF 16V (STR-DB2000: AEP, UK)	C1601	1-164-156-11	CERAMIC CHIP	0.1uF 25V
C1574	1-126-935-11	ELECT	470uF 20% 16V (STR-DA2000ES)	C1602	1-164-156-11	CERAMIC CHIP	0.1uF 25V
C1574	1-127-720-91	ELECT	470uF 20% 16V (STR-DB2000: SP, MY)	C1603	1-164-156-11	CERAMIC CHIP	0.1uF 25V
C1574	1-135-711-91	ELECT	470uF 16V (STR-DB2000: AEP, UK)	C1604	1-164-156-11	CERAMIC CHIP	0.1uF 25V
C1574	1-126-935-11	ELECT	470uF 20% 16V (STR-DA2000ES)	C1605	1-164-156-11	CERAMIC CHIP	0.1uF 25V
C1574	1-127-720-91	ELECT	470uF 20% 16V (STR-DB2000: SP, MY)	C1606	1-164-156-11	CERAMIC CHIP	0.1uF 25V
C1574	1-135-711-91	ELECT	470uF 16V (STR-DB2000: AEP, UK)	C1607	1-164-156-11	CERAMIC CHIP	0.1uF 25V (STR-DA2000ES)
C1575	1-126-935-11	ELECT	470uF 20% 16V (STR-DA2000ES)	C1610	1-164-156-11	CERAMIC CHIP	0.1uF 25V
C1575	1-127-720-91	ELECT	470uF 20% 16V (STR-DB2000: SP, MY)	C1611	1-164-245-11	CERAMIC CHIP	0.015uF 10% 25V
C1575	1-135-711-91	ELECT	470uF 16V (STR-DB2000: AEP, UK)	C1612	1-164-245-11	CERAMIC CHIP	0.015uF 10% 25V
C1576	1-126-935-11	ELECT	470uF 20% 16V (STR-DA2000ES)	C1613	1-164-245-11	CERAMIC CHIP	0.015uF 10% 25V
C1576	1-127-720-91	ELECT	470uF 20% 16V (STR-DB2000: SP, MY)	C1614	1-164-245-11	CERAMIC CHIP	0.015uF 10% 25V
C1576	1-135-711-91	ELECT	470uF 16V (STR-DB2000: AEP, UK)	C1615	1-164-245-11	CERAMIC CHIP	0.015uF 10% 25V
C1577	1-126-935-11	ELECT	470uF 20% 16V (STR-DA2000ES)	C1616	1-164-245-11	CERAMIC CHIP	0.015uF 10% 25V
C1581	1-126-935-11	ELECT	470uF 20% 16V (STR-DA2000ES)	C1617	1-164-245-11	CERAMIC CHIP	0.015uF 10% 25V (STR-DA2000ES)
C1581	1-127-720-91	ELECT	470uF 20% 16V (STR-DB2000: SP, MY)	C1620	1-164-156-11	CERAMIC CHIP	0.1uF 25V
				C1621	1-164-245-11	CERAMIC CHIP	0.015uF 10% 25V

## D. AMP

Ref. No.	Part No.	Description	Remark	Ref. No.	Part No.	Description	Remark
C1622	1-164-245-11	CERAMIC CHIP	0.015uF 10% 25V	C1695	1-130-777-00	MYLAR	0.1uF 5% 100V (EXCEPT STR-DB2000: AEP, UK)
C1623	1-164-245-11	CERAMIC CHIP	0.015uF 10% 25V	C1695	1-136-850-11	MYLAR	0.1uF 5% 63V (STR-DB2000: AEP, UK)
C1624	1-164-245-11	CERAMIC CHIP	0.015uF 10% 25V	C1696	1-130-777-00	MYLAR	0.1uF 5% 100V (EXCEPT STR-DB2000: AEP, UK)
C1625	1-164-245-11	CERAMIC CHIP	0.015uF 10% 25V	C1696	1-136-850-11	MYLAR	0.1uF 5% 63V (STR-DB2000: AEP, UK)
C1626	1-164-245-11	CERAMIC CHIP	0.015uF 10% 25V	C1697	1-130-777-00	MYLAR	0.1uF 5% 100V (STR-DA2000ES)
C1627	1-164-245-11	CERAMIC CHIP	0.015uF 10% 25V (STR-DA2000ES)	C1701	1-130-777-00	MYLAR	0.1uF 5% 100V (EXCEPT STR-DB2000: AEP, UK)
C1630	1-164-156-11	CERAMIC CHIP	0.1uF 25V	C1701	1-136-850-11	MYLAR	0.1uF 5% 63V (STR-DB2000: AEP, UK)
C1640	1-164-156-11	CERAMIC CHIP	0.1uF 25V	C1702	1-130-777-00	MYLAR	0.1uF 5% 100V (EXCEPT STR-DB2000: AEP, UK)
C1650	1-164-156-11	CERAMIC CHIP	0.1uF 25V	C1702	1-136-850-11	MYLAR	0.1uF 5% 63V (STR-DB2000: AEP, UK)
C1651	1-100-623-91	CERAMIC CHIP	0.1uF 10% 100V	C1703	1-130-777-00	MYLAR	0.1uF 5% 100V (EXCEPT STR-DB2000: AEP, UK)
C1652	1-100-623-91	CERAMIC CHIP	0.1uF 10% 100V	C1703	1-136-850-11	MYLAR	0.1uF 5% 63V (STR-DB2000: AEP, UK)
C1653	1-100-623-91	CERAMIC CHIP	0.1uF 10% 100V	C1704	1-130-777-00	MYLAR	0.1uF 5% 100V (EXCEPT STR-DB2000: AEP, UK)
C1654	1-100-623-91	CERAMIC CHIP	0.1uF 10% 100V	C1704	1-136-850-11	MYLAR	0.1uF 5% 63V (STR-DB2000: AEP, UK)
C1655	1-100-623-91	CERAMIC CHIP	0.1uF 10% 100V	C1705	1-130-777-00	MYLAR	0.1uF 5% 100V (EXCEPT STR-DB2000: AEP, UK)
C1656	1-100-623-91	CERAMIC CHIP	0.1uF 10% 100V	C1705	1-136-850-11	MYLAR	0.1uF 5% 63V (STR-DB2000: AEP, UK)
C1657	1-100-623-91	CERAMIC CHIP	0.1uF 10% 100V (STR-DA2000ES)	C1706	1-130-777-00	MYLAR	0.1uF 5% 100V (EXCEPT STR-DB2000: AEP, UK)
C1660	1-164-156-11	CERAMIC CHIP	0.1uF 25V (STR-DA2000ES)	C1706	1-136-850-11	MYLAR	0.1uF 5% 63V (STR-DB2000: AEP, UK)
C1661	1-100-623-91	CERAMIC CHIP	0.1uF 10% 100V	C1707	1-130-777-00	MYLAR	0.1uF 5% 100V (STR-DA2000ES)
C1662	1-100-623-91	CERAMIC CHIP	0.1uF 10% 100V	C1711	1-128-556-11	ELECT	1000uF 20% 63V
C1663	1-100-623-91	CERAMIC CHIP	0.1uF 10% 100V	C1712	1-128-556-11	ELECT	1000uF 20% 63V
C1664	1-100-623-91	CERAMIC CHIP	0.1uF 10% 100V	C1713	1-128-556-11	ELECT	1000uF 20% 63V
C1665	1-100-623-91	CERAMIC CHIP	0.1uF 10% 100V	C1714	1-128-556-11	ELECT	1000uF 20% 63V
C1666	1-100-623-91	CERAMIC CHIP	0.1uF 10% 100V	C1715	1-128-556-11	ELECT	1000uF 20% 63V
C1667	1-100-623-91	CERAMIC CHIP	0.1uF 10% 100V (STR-DA2000ES)	C1716	1-128-556-11	ELECT	1000uF 20% 63V
C1671	1-100-623-91	CERAMIC CHIP	0.1uF 10% 100V	C1717	1-128-556-11	ELECT	1000uF 20% 63V (STR-DA2000ES)
C1672	1-100-623-91	CERAMIC CHIP	0.1uF 10% 100V	C1721	1-130-777-00	MYLAR	0.1uF 5% 100V (EXCEPT STR-DB2000: AEP, UK)
C1673	1-100-623-91	CERAMIC CHIP	0.1uF 10% 100V	C1721	1-136-850-11	MYLAR	0.1uF 5% 63V (STR-DB2000: AEP, UK)
C1674	1-100-623-91	CERAMIC CHIP	0.1uF 10% 100V	C1722	1-130-777-00	MYLAR	0.1uF 5% 100V (EXCEPT STR-DB2000: AEP, UK)
C1675	1-100-623-91	CERAMIC CHIP	0.1uF 10% 100V	C1722	1-136-850-11	MYLAR	0.1uF 5% 63V (STR-DB2000: AEP, UK)
C1676	1-100-623-91	CERAMIC CHIP	0.1uF 10% 100V	C1723	1-130-777-00	MYLAR	0.1uF 5% 100V (EXCEPT STR-DB2000: AEP, UK)
C1677	1-100-623-91	CERAMIC CHIP	0.1uF 10% 100V (STR-DA2000ES)	C1723	1-136-850-11	MYLAR	0.1uF 5% 63V (STR-DB2000: AEP, UK)
C1681	1-100-623-91	CERAMIC CHIP	0.1uF 10% 100V	C1724	1-130-777-00	MYLAR	0.1uF 5% 100V (EXCEPT STR-DB2000: AEP, UK)
C1682	1-100-623-91	CERAMIC CHIP	0.1uF 10% 100V	C1724	1-136-850-11	MYLAR	0.1uF 5% 63V (STR-DB2000: AEP, UK)
C1683	1-100-623-91	CERAMIC CHIP	0.1uF 10% 100V	C1725	1-130-777-00	MYLAR	0.1uF 5% 100V (EXCEPT STR-DB2000: AEP, UK)
C1684	1-100-623-91	CERAMIC CHIP	0.1uF 10% 100V				
C1685	1-100-623-91	CERAMIC CHIP	0.1uF 10% 100V				
C1686	1-100-623-91	CERAMIC CHIP	0.1uF 10% 100V				
C1687	1-100-623-91	CERAMIC CHIP	0.1uF 10% 100V (STR-DA2000ES)				
C1691	1-130-777-00	MYLAR	0.1uF 5% 100V (EXCEPT STR-DB2000: AEP, UK)				
C1691	1-136-850-11	MYLAR	0.1uF 5% 63V (STR-DB2000: AEP, UK)				
C1692	1-130-777-00	MYLAR	0.1uF 5% 100V (EXCEPT STR-DB2000: AEP, UK)				
C1692	1-136-850-11	MYLAR	0.1uF 5% 63V (STR-DB2000: AEP, UK)				
C1693	1-130-777-00	MYLAR	0.1uF 5% 100V (EXCEPT STR-DB2000: AEP, UK)				
C1693	1-136-850-11	MYLAR	0.1uF 5% 63V (STR-DB2000: AEP, UK)				
C1694	1-130-777-00	MYLAR	0.1uF 5% 100V (EXCEPT STR-DB2000: AEP, UK)				
C1694	1-136-850-11	MYLAR	0.1uF 5% 63V (STR-DB2000: AEP, UK)				

# STR-DA2000ES/DB2000

## D. AMP

Ref. No.	Part No.	Description	Remark	Ref. No.	Part No.	Description	Remark
C1725	1-136-850-11	MYLAR	0.1uF 5% 63V (STR-DB2000: AEP, UK)	C1794	1-164-156-11	CERAMIC CHIP	0.1uF 25V
C1726	1-130-777-00	MYLAR	0.1uF 5% 100V (EXCEPT STR-DB2000: AEP, UK)	C1795	1-164-156-11	CERAMIC CHIP	0.1uF 25V
C1726	1-136-850-11	MYLAR	0.1uF 5% 63V (STR-DB2000: AEP, UK)	C1796	1-164-156-11	CERAMIC CHIP	0.1uF 25V (STR-DA2000ES)
C1727	1-130-777-00	MYLAR	0.1uF 5% 100V (STR-DA2000ES)	C1800	1-126-964-11	ELECT	10uF 20% 50V (STR-DA2000ES)
C1731	1-162-966-11	CERAMIC CHIP	0.0022uF 10% 50V	C1800	1-119-824-11	ELECT	10uF 20% 50V (STR-DB2000: SP, MY)
C1732	1-162-966-11	CERAMIC CHIP	0.0022uF 10% 50V	C1800	1-135-743-11	ELECT	10uF 50V (STR-DB2000: AEP, UK)
C1733	1-162-966-11	CERAMIC CHIP	0.0022uF 10% 50V	C1801	1-164-156-11	CERAMIC CHIP	0.1uF 25V
C1734	1-162-966-11	CERAMIC CHIP	0.0022uF 10% 50V	C1802	1-164-156-11	CERAMIC CHIP	0.1uF 25V
C1735	1-162-966-11	CERAMIC CHIP	0.0022uF 10% 50V	C1803	1-164-156-11	CERAMIC CHIP	0.1uF 25V
C1736	1-162-966-11	CERAMIC CHIP	0.0022uF 10% 50V	C1804	1-162-974-11	CERAMIC CHIP	0.01uF 50V
C1737	1-162-966-11	CERAMIC CHIP	0.0022uF 10% 50V (STR-DA2000ES)	C1805	1-117-720-11	CERAMIC CHIP	4.7uF 10V
C1741	1-100-188-11	MYLAR	0.75uF 5% 250V	C1841	1-164-156-11	CERAMIC CHIP	0.1uF 25V
C1742	1-100-188-11	MYLAR	0.75uF 5% 250V	C1851	1-128-576-11	ELECT	100uF 20% 63V (STR-DA2000ES)
C1743	1-100-188-11	MYLAR	0.75uF 5% 250V	C1851	1-128-872-91	ELECT	100uF 20% 63V (STR-DB2000: SP, MY)
C1744	1-100-188-11	MYLAR	0.75uF 5% 250V	C1851	1-135-771-51	ELECT	100uF 63V (STR-DB2000: AEP, UK)
C1745	1-100-188-11	MYLAR	0.75uF 5% 250V	C1852	1-126-935-11	ELECT	470uF 20% 16V (STR-DA2000ES)
C1746	1-100-188-11	MYLAR	0.75uF 5% 250V	C1852	1-127-720-91	ELECT	470uF 20% 16V (STR-DB2000: SP, MY)
C1747	1-100-188-11	MYLAR	0.75uF 5% 250V (STR-DA2000ES)	C1852	1-135-711-91	ELECT	470uF 16V (STR-DB2000: AEP, UK)
C1751	1-100-188-11	MYLAR	0.75uF 5% 250V	C1853	1-162-927-11	CERAMIC CHIP	100PF 5% 50V
C1752	1-100-188-11	MYLAR	0.75uF 5% 250V	C1854	1-126-935-11	ELECT	470uF 20% 16V (STR-DA2000ES)
C1753	1-100-188-11	MYLAR	0.75uF 5% 250V	C1854	1-127-720-91	ELECT	470uF 20% 16V (STR-DB2000: SP, MY)
C1754	1-100-188-11	MYLAR	0.75uF 5% 250V	C1854	1-135-711-91	ELECT	470uF 16V (STR-DB2000: AEP, UK)
C1755	1-100-188-11	MYLAR	0.75uF 5% 250V	C1855	1-162-927-11	CERAMIC CHIP	100PF 5% 50V
C1756	1-100-188-11	MYLAR	0.75uF 5% 250V	C1856	1-126-935-11	ELECT	470uF 20% 16V (STR-DA2000ES)
C1757	1-100-188-11	MYLAR	0.75uF 5% 250V (STR-DA2000ES)	C1856	1-127-720-91	ELECT	470uF 20% 16V (STR-DB2000: SP, MY)
C1761	1-100-156-91	CERAMIC CHIP	680PF 5% 100V	C1856	1-135-711-91	ELECT	470uF 16V (STR-DB2000: AEP, UK)
C1762	1-100-156-91	CERAMIC CHIP	680PF 5% 100V	C1857	1-162-927-11	CERAMIC CHIP	100PF 5% 50V
C1763	1-100-156-91	CERAMIC CHIP	680PF 5% 100V	C1858	1-126-935-11	ELECT	470uF 20% 16V (STR-DA2000ES)
C1764	1-100-156-91	CERAMIC CHIP	680PF 5% 100V	C1858	1-127-720-91	ELECT	470uF 20% 16V (STR-DB2000: SP, MY)
C1766	1-100-156-91	CERAMIC CHIP	680PF 5% 100V	C1858	1-135-711-91	ELECT	470uF 16V (STR-DB2000: AEP, UK)
C1767	1-100-156-91	CERAMIC CHIP	680PF 5% 100V	C1880	1-126-935-11	ELECT	470uF 20% 16V (STR-DA2000ES)
C1768	1-100-156-91	CERAMIC CHIP	680PF 5% 100V	C1880	1-127-720-91	ELECT	470uF 20% 16V (STR-DB2000: SP, MY)
C1769	1-100-156-91	CERAMIC CHIP	680PF 5% 100V	C1880	1-135-711-91	ELECT	470uF 16V (STR-DB2000: AEP, UK)
C1771	1-100-156-91	CERAMIC CHIP	680PF 5% 100V	C1881	1-216-295-00	SHORT CHIP	0 (STR-DA2000ES)
C1772	1-100-156-91	CERAMIC CHIP	680PF 5% 100V	C1884	1-216-295-00	SHORT CHIP	0 (EXCEPT STR-DB2000: AEP, UK)
C1773	1-100-156-91	CERAMIC CHIP	680PF 5% 100V	C1891	1-164-156-11	CERAMIC CHIP	0.1uF 25V
C1774	1-100-156-91	CERAMIC CHIP	680PF 5% 100V	C1892	1-126-947-11	ELECT	47uF 20% 35V (EXCEPT STR-DB2000: AEP, UK)
C1776	1-100-156-91	CERAMIC CHIP	680PF 5% 100V				
C1777	1-100-156-91	CERAMIC CHIP	680PF 5% 100V				
C1778	1-100-156-91	CERAMIC CHIP	680PF 5% 100V				
C1779	1-100-156-91	CERAMIC CHIP	680PF 5% 100V				
C1781	1-117-720-11	CERAMIC CHIP	4.7uF 10V				
C1782	1-117-720-11	CERAMIC CHIP	4.7uF 10V				
C1783	1-117-720-11	CERAMIC CHIP	4.7uF 10V				
C1784	1-117-720-11	CERAMIC CHIP	4.7uF 10V				
C1785	1-117-720-11	CERAMIC CHIP	4.7uF 10V				
C1786	1-117-720-11	CERAMIC CHIP	4.7uF 10V				
C1787	1-117-720-11	CERAMIC CHIP	4.7uF 10V (STR-DA2000ES)				
C1791	1-164-156-11	CERAMIC CHIP	0.1uF 25V				
C1792	1-164-156-11	CERAMIC CHIP	0.1uF 25V				
C1793	1-164-156-11	CERAMIC CHIP	0.1uF 25V				



# STR-DA2000ES/DB2000

## D. AMP

Ref. No.	Part No.	Description	Remark	Ref. No.	Part No.	Description	Remark
D1581	8-719-016-74	DIODE 1SS352		IC1401	6-702-673-01	IC CXD97300	
D1680	8-719-016-74	DIODE 1SS352		IC1402	6-702-673-01	IC CXD97300	
D1690	8-719-016-74	DIODE 1SS352		IC1403	6-702-673-01	IC CXD97300	
D1801	8-719-016-74	DIODE 1SS352		IC1404	6-702-673-01	IC CXD97300	
D1803	6-500-812-01	DIODE RLZTE-113.6B		IC1471	8-759-271-88	IC TC7SHU04FU	
D1891	8-719-820-05	DIODE 1SS181		IC1481	8-759-636-55	IC M5218AFP	
D2851	8-719-016-74	DIODE 1SS352		IC1482	8-759-636-55	IC M5218AFP	
		< EARTH TERMINAL >		IC1511	8-759-523-08	IC TC74AC08FT (EL)	
* EP1801	1-537-738-21	TERMINAL, EARTH (STR-DA2000ES)		IC1512	8-759-523-08	IC TC74AC08FT (EL)	
* EP1802	1-537-738-21	TERMINAL, EARTH		IC1513	8-759-523-08	IC TC74AC08FT (EL)	
* EP1806	1-537-738-21	TERMINAL, EARTH		IC1514	8-759-523-08	IC TC74AC08FT (EL)	
		< FERRITE BEAD >		IC1515	8-759-523-08	IC TC74AC08FT (EL)	
FB1400	1-414-760-21	FERRITE, EMI (SMD) (1608)		IC1516	8-759-523-08	IC TC74AC08FT (EL)	
FB1401	1-469-120-21	FERRITE, EMI (SMD) (1608)		IC1517	8-759-523-08	IC TC74AC08FT (EL) (STR-DA2000ES)	
FB1402	1-469-120-21	FERRITE, EMI (SMD) (1608)		IC1521	8-759-523-08	IC TC74AC08FT (EL)	
FB1403	1-414-760-21	FERRITE, EMI (SMD) (1608)		IC1522	8-759-523-08	IC TC74AC08FT (EL)	
FB1404	1-414-760-21	FERRITE, EMI (SMD) (1608)		IC1523	8-759-523-08	IC TC74AC08FT (EL)	
FB1410	1-414-760-21	FERRITE, EMI (SMD) (1608)		IC1524	8-759-523-08	IC TC74AC08FT (EL)	
FB1411	1-414-760-21	FERRITE, EMI (SMD) (1608)		IC1525	8-759-523-08	IC TC74AC08FT (EL)	
FB1412	1-414-760-21	FERRITE, EMI (SMD) (1608)		IC1526	8-759-523-08	IC TC74AC08FT (EL)	
FB1413	1-414-760-21	FERRITE, EMI (SMD) (1608)		IC1527	8-759-523-08	IC TC74AC08FT (EL) (STR-DA2000ES)	
FB1414	1-414-760-21	FERRITE, EMI (SMD) (1608)		IC1531	6-704-197-01	IC HIP2101BZT	
FB1416	1-414-760-21	FERRITE, EMI (SMD) (1608)		IC1532	6-704-197-01	IC HIP2101BZT	
FB1417	1-414-760-21	FERRITE, EMI (SMD) (1608)		IC1533	6-704-197-01	IC HIP2101BZT	
FB1418	1-414-760-21	FERRITE, EMI (SMD) (1608)		IC1534	6-704-197-01	IC HIP2101BZT	
FB1419	1-414-760-21	FERRITE, EMI (SMD) (1608)		IC1535	6-704-197-01	IC HIP2101BZT	
FB1420	1-414-760-21	FERRITE, EMI (SMD) (1608)		IC1536	6-704-197-01	IC HIP2101BZT	
FB1421	1-414-656-11	FERRITE, EMI (SMD) (1608)		IC1537	6-704-197-01	IC HIP2101BZT (STR-DA2000ES)	
FB1426	1-414-656-11	FERRITE, EMI (SMD) (1608)		IC1541	6-704-197-01	IC HIP2101BZT	
FB1427	1-414-656-11	FERRITE, EMI (SMD) (1608)		IC1542	6-704-197-01	IC HIP2101BZT	
FB1428	1-414-656-11	FERRITE, EMI (SMD) (1608)		IC1543	6-704-197-01	IC HIP2101BZT	
FB1431	1-414-760-21	FERRITE, EMI (SMD) (1608)		IC1544	6-704-197-01	IC HIP2101BZT	
FB1470	1-414-760-21	FERRITE, EMI (SMD) (1608)		IC1545	6-704-197-01	IC HIP2101BZT	
FB1480	1-414-445-11	FERRITE, EMI (SMD) (1608)		IC1546	6-704-197-01	IC HIP2101BZT	
FB1510	1-414-760-21	FERRITE, EMI (SMD) (1608)		IC1547	6-704-197-01	IC HIP2101BZT (STR-DA2000ES)	
FB1520	1-414-445-11	FERRITE, EMI (SMD) (1608)		IC1800	6-802-974-01	IC MB89537APFM-G-461-BNDE1	
FB1521	1-414-760-21	FERRITE, EMI (SMD) (1608)		IC1841	6-700-942-01	IC M62342FP	
FB1522	1-414-760-21	FERRITE, EMI (SMD) (1608)		IC1851	8-759-701-59	IC NJM78M09FA	
FB1523	1-414-760-21	FERRITE, EMI (SMD) (1608)		IC1852	8-759-231-53	IC TA7805S	
FB1524	1-414-760-21	FERRITE, EMI (SMD) (1608)		IC1853	8-759-641-26	IC NJM2391DL1-33 (TE1)	
FB1525	1-414-760-21	FERRITE, EMI (SMD) (1608)		IC1900	8-759-524-50	IC TC74VHC541FT (EL)	
FB1526	1-414-760-21	FERRITE, EMI (SMD) (1608)		IC1910	8-759-524-50	IC TC74VHC541FT (EL)	
FB1527	1-414-760-21	FERRITE, EMI (SMD) (1608) (STR-DA2000ES)		IC1940	8-759-524-50	IC TC74VHC541FT (EL)	
FB1531	1-414-760-21	FERRITE, EMI (SMD) (1608)		IC1950	6-704-741-01	IC CXD9776AQ	
FB1532	1-414-760-21	FERRITE, EMI (SMD) (1608)		IC1970	8-759-523-78	IC TC74VHC00FT (EL)	
FB1533	1-414-760-21	FERRITE, EMI (SMD) (1608)		IC1980	8-759-058-58	IC TC7S04FU (TE85R)	
FB1534	1-414-760-21	FERRITE, EMI (SMD) (1608)		IC2862	6-702-387-01	IC CXD9725M	
FB1535	1-414-760-21	FERRITE, EMI (SMD) (1608)		IC2863	8-759-636-55	IC M5218AFP	
FB1536	1-414-760-21	FERRITE, EMI (SMD) (1608)				< JACK >	
FB1537	1-414-760-21	FERRITE, EMI (SMD) (1608) (STR-DA2000ES)		J2875	1-793-446-11	JACK, PIN 1P (SUB WOOFER AUDIO OUT)	
FB1800	1-414-760-21	FERRITE, EMI (SMD) (1608)				< SHORT >	
FB1950	1-414-760-21	FERRITE, EMI (SMD) (1608)		JR1462	1-216-864-11	SHORT CHIP 0	
		< IC >		JR1463	1-216-864-11	SHORT CHIP 0	
IC1400	8-759-523-13	IC TC74AC125FT (EL)		JR1464	1-216-864-11	SHORT CHIP 0	
				JR1914	1-216-295-00	SHORT CHIP 0	



## D. AMP

Ref. No.	Part No.	Description	Remark	Ref. No.	Part No.	Description	Remark
		< COIL >		Q1677	6-550-622-01	FET	SUP18N15-95 (STR-DA2000ES)
L1301	1-456-412-11	INDUCTOR	10uH	Q1680	8-729-230-49	TRANSISTOR	2SC2712-YG
L1302	1-456-412-11	INDUCTOR	10uH	Q1681	6-550-622-01	FET	SUP18N15-95
L1303	1-456-412-11	INDUCTOR	10uH	Q1682	6-550-622-01	FET	SUP18N15-95
L1304	1-456-412-11	INDUCTOR	10uH	Q1683	6-550-622-01	FET	SUP18N15-95
L1305	1-456-412-11	INDUCTOR	10uH	Q1684	6-550-622-01	FET	SUP18N15-95
L1306	1-456-412-11	INDUCTOR	10uH	Q1685	6-550-622-01	FET	SUP18N15-95
L1307	1-456-412-11	INDUCTOR	10uH (STR-DA2000ES)	Q1686	6-550-622-01	FET	SUP18N15-95
L1311	1-456-412-11	INDUCTOR	10uH	Q1687	6-550-622-01	FET	SUP18N15-95 (STR-DA2000ES)
L1312	1-456-412-11	INDUCTOR	10uH	Q1690	8-729-230-49	TRANSISTOR	2SC2712-YG
L1313	1-456-412-11	INDUCTOR	10uH	Q1721	8-729-216-31	TRANSISTOR	2SA1163-G
L1314	1-456-412-11	INDUCTOR	10uH	Q1722	8-729-216-31	TRANSISTOR	2SA1163-G
L1315	1-456-412-11	INDUCTOR	10uH	Q1723	8-729-216-31	TRANSISTOR	2SA1163-G
L1316	1-456-412-11	INDUCTOR	10uH	Q1724	8-729-216-31	TRANSISTOR	2SA1163-G
L1317	1-456-412-11	INDUCTOR	10uH (STR-DA2000ES)	Q1725	8-729-216-31	TRANSISTOR	2SA1163-G
L1471	1-410-993-42	INDUCTOR	1uH	Q1726	8-729-216-31	TRANSISTOR	2SA1163-G
L1472	1-412-006-31	INDUCTOR	10uH	Q1727	8-729-216-31	TRANSISTOR	2SA1163-G (STR-DA2000ES)
L1473	1-412-006-31	INDUCTOR	10uH	Q1751	8-729-216-22	TRANSISTOR	2SA1162-G
L1731	1-456-412-11	INDUCTOR	10uH	Q1752	8-729-216-22	TRANSISTOR	2SA1162-G
L1732	1-456-412-11	INDUCTOR	10uH	Q1753	8-729-216-22	TRANSISTOR	2SA1162-G
L1733	1-456-412-11	INDUCTOR	10uH	Q1754	8-729-216-22	TRANSISTOR	2SA1162-G
L1734	1-456-412-11	INDUCTOR	10uH	Q1755	8-729-216-22	TRANSISTOR	2SA1162-G
L1735	1-456-412-11	INDUCTOR	10uH	Q1756	8-729-216-22	TRANSISTOR	2SA1162-G
L1736	1-456-412-11	INDUCTOR	10uH	Q1757	8-729-216-22	TRANSISTOR	2SA1162-G (STR-DA2000ES)
L1737	1-456-412-11	INDUCTOR	10uH (STR-DA2000ES)	Q1761	8-729-216-22	TRANSISTOR	2SA1162-G
L1741	1-456-412-11	INDUCTOR	10uH	Q1762	8-729-216-22	TRANSISTOR	2SA1162-G
L1742	1-456-412-11	INDUCTOR	10uH	Q1763	8-729-216-22	TRANSISTOR	2SA1162-G
L1743	1-456-412-11	INDUCTOR	10uH	Q1764	8-729-216-22	TRANSISTOR	2SA1162-G
L1744	1-456-412-11	INDUCTOR	10uH	Q1765	8-729-216-22	TRANSISTOR	2SA1162-G
L1745	1-456-412-11	INDUCTOR	10uH	Q1766	8-729-216-22	TRANSISTOR	2SA1162-G
L1746	1-456-412-11	INDUCTOR	10uH	Q1767	8-729-216-22	TRANSISTOR	2SA1162-G (STR-DA2000ES)
L1747	1-456-412-11	INDUCTOR	10uH (STR-DA2000ES)	Q1771	8-729-230-49	TRANSISTOR	2SC2712-YG
		< TRANSISTOR >		Q1772	8-729-230-49	TRANSISTOR	2SC2712-YG
Q1480	8-729-230-49	TRANSISTOR	2SC2712-YG	Q1773	8-729-230-49	TRANSISTOR	2SC2712-YG
Q1651	6-550-622-01	FET	SUP18N15-95	Q1774	8-729-230-49	TRANSISTOR	2SC2712-YG
Q1652	6-550-622-01	FET	SUP18N15-95	Q1775	8-729-230-49	TRANSISTOR	2SC2712-YG
Q1653	6-550-622-01	FET	SUP18N15-95	Q1776	8-729-230-49	TRANSISTOR	2SC2712-YG (STR-DA2000ES)
Q1654	6-550-622-01	FET	SUP18N15-95	Q1781	8-729-230-49	TRANSISTOR	2SC2712-YG
Q1655	6-550-622-01	FET	SUP18N15-95	Q1782	8-729-230-49	TRANSISTOR	2SC2712-YG
Q1656	6-550-622-01	FET	SUP18N15-95	Q1783	8-729-230-49	TRANSISTOR	2SC2712-YG
Q1657	6-550-622-01	FET	SUP18N15-95 (STR-DA2000ES)	Q1784	8-729-230-49	TRANSISTOR	2SC2712-YG
Q1661	6-550-622-01	FET	SUP18N15-95	Q1785	8-729-230-49	TRANSISTOR	2SC2712-YG
Q1662	6-550-622-01	FET	SUP18N15-95	Q1786	8-729-230-49	TRANSISTOR	2SC2712-YG (STR-DA2000ES)
Q1663	6-550-622-01	FET	SUP18N15-95	Q1791	8-729-230-49	TRANSISTOR	2SC2712-YG
Q1664	6-550-622-01	FET	SUP18N15-95	Q1792	8-729-230-49	TRANSISTOR	2SC2712-YG
Q1665	6-550-622-01	FET	SUP18N15-95	Q1793	8-729-230-49	TRANSISTOR	2SC2712-YG
Q1666	6-550-622-01	FET	SUP18N15-95	Q1794	8-729-230-49	TRANSISTOR	2SC2712-YG
Q1667	6-550-622-01	FET	SUP18N15-95 (STR-DA2000ES)	Q1795	8-729-230-49	TRANSISTOR	2SC2712-YG
Q1671	6-550-622-01	FET	SUP18N15-95	Q1796	8-729-230-49	TRANSISTOR	2SC2712-YG (STR-DA2000ES)
Q1672	6-550-622-01	FET	SUP18N15-95	Q1800	8-729-027-38	TRANSISTOR	DTA144EKA-T146
Q1673	6-550-622-01	FET	SUP18N15-95	Q1891	8-729-230-49	TRANSISTOR	2SC2712-YG
Q1674	6-550-622-01	FET	SUP18N15-95				
Q1675	6-550-622-01	FET	SUP18N15-95				
Q1676	6-550-622-01	FET	SUP18N15-95				

# STR-DA2000ES/DB2000

## D. AMP

Ref. No.	Part No.	Description	Remark	Ref. No.	Part No.	Description	Remark
Q1892	8-729-230-49	TRANSISTOR	2SC2712-YG	R1424	1-216-833-11	METAL CHIP	10K 5% 1/10W
Q2851	8-729-230-49	TRANSISTOR	2SC2712-YG	R1426	1-216-809-11	METAL CHIP	100 5% 1/10W
Q2852	8-729-027-24	TRANSISTOR	DTA114TKA-T146	R1427	1-216-809-11	METAL CHIP	100 5% 1/10W
		< RESISTOR >		R1428	1-216-809-11	METAL CHIP	100 5% 1/10W
R1001	1-216-295-00	SHORT CHIP	0	R1429	1-216-809-11	METAL CHIP	100 5% 1/10W
R1002	1-216-295-00	SHORT CHIP	0	R1431	1-216-809-11	METAL CHIP	100 5% 1/10W
R1301	1-216-797-11	METAL CHIP	10 5% 1/10W	R1432	1-216-809-11	METAL CHIP	100 5% 1/10W
R1302	1-216-797-11	METAL CHIP	10 5% 1/10W	R1433	1-216-809-11	METAL CHIP	100 5% 1/10W
R1303	1-216-797-11	METAL CHIP	10 5% 1/10W	R1434	1-216-809-11	METAL CHIP	100 5% 1/10W
R1304	1-216-797-11	METAL CHIP	10 5% 1/10W	R1436	1-216-833-11	METAL CHIP	10K 5% 1/10W
R1305	1-216-797-11	METAL CHIP	10 5% 1/10W	R1437	1-216-833-11	METAL CHIP	10K 5% 1/10W
R1306	1-216-797-11	METAL CHIP	10 5% 1/10W	R1438	1-216-833-11	METAL CHIP	10K 5% 1/10W
R1307	1-216-797-11	METAL CHIP	10 5% 1/10W	R1439	1-216-833-11	METAL CHIP	10K 5% 1/10W
R1311	1-216-797-11	METAL CHIP	10 5% 1/10W (STR-DA2000ES)	R1440	1-216-864-11	SHORT CHIP	0
R1312	1-216-797-11	METAL CHIP	10 5% 1/10W	R1441	1-216-809-11	METAL CHIP	100 5% 1/10W
R1313	1-216-797-11	METAL CHIP	10 5% 1/10W	R1442	1-216-809-11	METAL CHIP	100 5% 1/10W
R1314	1-216-797-11	METAL CHIP	10 5% 1/10W	R1443	1-216-809-11	METAL CHIP	100 5% 1/10W
R1315	1-216-797-11	METAL CHIP	10 5% 1/10W	R1444	1-216-809-11	METAL CHIP	100 5% 1/10W
R1316	1-216-797-11	METAL CHIP	10 5% 1/10W	R1445	1-216-864-11	SHORT CHIP	0 (STR-DB2000)
R1317	1-216-797-11	METAL CHIP	10 5% 1/10W (STR-DA2000ES)	R1451	1-216-809-11	METAL CHIP	100 5% 1/10W
R1321	1-216-797-11	METAL CHIP	10 5% 1/10W	R1452	1-216-809-11	METAL CHIP	100 5% 1/10W
R1322	1-216-797-11	METAL CHIP	10 5% 1/10W	R1453	1-216-809-11	METAL CHIP	100 5% 1/10W
R1323	1-216-797-11	METAL CHIP	10 5% 1/10W	R1454	1-216-809-11	METAL CHIP	100 5% 1/10W
R1324	1-216-797-11	METAL CHIP	10 5% 1/10W	R1456	1-216-833-11	METAL CHIP	10K 5% 1/10W
R1325	1-216-797-11	METAL CHIP	10 5% 1/10W	R1457	1-216-833-11	METAL CHIP	10K 5% 1/10W
R1326	1-216-797-11	METAL CHIP	10 5% 1/10W	R1458	1-216-833-11	METAL CHIP	10K 5% 1/10W
R1327	1-216-797-11	METAL CHIP	10 5% 1/10W (STR-DA2000ES)	R1459	1-216-833-11	METAL CHIP	10K 5% 1/10W
R1331	1-216-797-11	METAL CHIP	10 5% 1/10W	R1461	1-216-813-11	METAL CHIP	220 5% 1/10W
R1332	1-216-797-11	METAL CHIP	10 5% 1/10W	R1462	1-216-813-11	METAL CHIP	220 5% 1/10W
R1333	1-216-797-11	METAL CHIP	10 5% 1/10W	R1463	1-216-813-11	METAL CHIP	220 5% 1/10W
R1334	1-216-797-11	METAL CHIP	10 5% 1/10W	R1464	1-216-813-11	METAL CHIP	220 5% 1/10W
R1335	1-216-797-11	METAL CHIP	10 5% 1/10W	R1471	1-216-174-00	RES-CHIP	100 5% 1/8W (STR-DA2000ES)
R1336	1-216-797-11	METAL CHIP	10 5% 1/10W	R1471	1-216-182-00	RES-CHIP	220 5% 1/8W (STR-DB2000: SP, MY)
R1337	1-216-797-11	METAL CHIP	10 5% 1/10W (STR-DA2000ES)	R1471	1-259-987-11	CARBON MELF	220 2% 1/8W (STR-DB2000: AEP, UK)
R1400	1-216-801-11	METAL CHIP	22 5% 1/10W	R1472	1-216-270-00	RES-CHIP	1M 5% 1/8W (EXCEPT STR-DB2000: AEP, UK)
R1401	1-216-809-11	METAL CHIP	100 5% 1/10W	R1472	1-260-032-11	CARBON MELF	1M 2% 1/8W (STR-DB2000: AEP, UK)
R1402	1-216-809-11	METAL CHIP	100 5% 1/10W	R1476	1-216-833-11	METAL CHIP	10K 5% 1/10W
R1403	1-216-809-11	METAL CHIP	100 5% 1/10W	R1477	1-216-833-11	METAL CHIP	10K 5% 1/10W
R1404	1-216-809-11	METAL CHIP	100 5% 1/10W	R1478	1-216-833-11	METAL CHIP	10K 5% 1/10W
R1405	1-216-809-11	METAL CHIP	100 5% 1/10W	R1479	1-216-833-11	METAL CHIP	10K 5% 1/10W
R1406	1-216-809-11	METAL CHIP	100 5% 1/10W	R1480	1-216-827-11	METAL CHIP	3.3K 5% 1/10W
R1407	1-216-809-11	METAL CHIP	100 5% 1/10W	R1481	1-216-833-11	METAL CHIP	10K 5% 1/10W
R1408	1-216-809-11	METAL CHIP	100 5% 1/10W	R1482	1-216-833-11	METAL CHIP	10K 5% 1/10W
R1411	1-216-809-11	METAL CHIP	100 5% 1/10W	R1483	1-216-833-11	METAL CHIP	10K 5% 1/10W
R1412	1-216-809-11	METAL CHIP	100 5% 1/10W	R1484	1-216-833-11	METAL CHIP	10K 5% 1/10W
R1413	1-216-809-11	METAL CHIP	100 5% 1/10W	R1485	1-216-837-11	METAL CHIP	22K 5% 1/10W
R1415	1-216-809-11	METAL CHIP	100 5% 1/10W	R1486	1-216-837-11	METAL CHIP	22K 5% 1/10W
R1416	1-216-809-11	METAL CHIP	100 5% 1/10W	R1487	1-216-837-11	METAL CHIP	22K 5% 1/10W
R1417	1-216-809-11	METAL CHIP	100 5% 1/10W	R1488	1-216-837-11	METAL CHIP	22K 5% 1/10W
R1418	1-216-809-11	METAL CHIP	100 5% 1/10W (STR-DA2000ES)	R1490	1-216-829-11	METAL CHIP	4.7K 5% 1/10W
R1421	1-216-833-11	METAL CHIP	10K 5% 1/10W	R1491	1-216-823-11	METAL CHIP	1.5K 5% 1/10W
R1422	1-216-833-11	METAL CHIP	10K 5% 1/10W	R1492	1-216-823-11	METAL CHIP	1.5K 5% 1/10W
R1423	1-216-833-11	METAL CHIP	10K 5% 1/10W	R1493	1-216-839-11	METAL CHIP	33K 5% 1/10W

## D. AMP

Ref. No.	Part No.	Description	Remark	Ref. No.	Part No.	Description	Remark
R1494	1-216-839-11	METAL CHIP	33K 5% 1/10W				
R1495	1-216-825-11	METAL CHIP	2.2K 5% 1/10W	R1574	1-216-805-11	METAL CHIP	47 5% 1/10W
R1496	1-216-825-11	METAL CHIP	2.2K 5% 1/10W	R1575	1-216-805-11	METAL CHIP	47 5% 1/10W
				R1576	1-216-805-11	METAL CHIP	47 5% 1/10W
R1497	1-216-166-00	RES-CHIP	47 5% 1/8W	R1577	1-216-805-11	METAL CHIP	47 5% 1/10W
R1498	1-216-166-00	RES-CHIP	47 5% 1/8W				(STR-DA2000ES)
R1499	1-249-393-11	CARBON	10 5% 1/4W	R1581	1-216-805-11	METAL CHIP	47 5% 1/10W
R1500	1-216-825-11	METAL CHIP	2.2K 5% 1/10W				
R1501	1-216-833-11	METAL CHIP	10K 5% 1/10W	R1582	1-216-805-11	METAL CHIP	47 5% 1/10W
				R1583	1-216-805-11	METAL CHIP	47 5% 1/10W
R1511	1-216-815-11	METAL CHIP	330 5% 1/10W	R1584	1-216-805-11	METAL CHIP	47 5% 1/10W
R1512	1-216-815-11	METAL CHIP	330 5% 1/10W	R1585	1-216-805-11	METAL CHIP	47 5% 1/10W
R1513	1-216-815-11	METAL CHIP	330 5% 1/10W	R1586	1-216-805-11	METAL CHIP	47 5% 1/10W
R1514	1-216-815-11	METAL CHIP	330 5% 1/10W				
R1515	1-216-815-11	METAL CHIP	330 5% 1/10W	R1587	1-216-805-11	METAL CHIP	47 5% 1/10W
							(STR-DA2000ES)
R1516	1-216-815-11	METAL CHIP	330 5% 1/10W	R1610	1-216-816-11	METAL CHIP	390 5% 1/10W
R1517	1-216-815-11	METAL CHIP	330 5% 1/10W	R1620	1-216-816-11	METAL CHIP	390 5% 1/10W
			(STR-DA2000ES)	R1630	1-216-816-11	METAL CHIP	390 5% 1/10W
R1521	1-216-815-11	METAL CHIP	330 5% 1/10W	R1631	1-219-796-11	RES-CHIP	0.025 1% 1W
R1522	1-216-815-11	METAL CHIP	330 5% 1/10W				
R1523	1-216-815-11	METAL CHIP	330 5% 1/10W	R1632	1-219-796-11	RES-CHIP	0.025 1% 1W
				R1633	1-219-796-11	RES-CHIP	0.025 1% 1W
R1524	1-216-815-11	METAL CHIP	330 5% 1/10W	R1634	1-219-796-11	RES-CHIP	0.025 1% 1W
R1525	1-216-815-11	METAL CHIP	330 5% 1/10W	R1635	1-219-796-11	RES-CHIP	0.025 1% 1W
R1526	1-216-815-11	METAL CHIP	330 5% 1/10W	R1636	1-219-796-11	RES-CHIP	0.025 1% 1W
R1527	1-216-815-11	METAL CHIP	330 5% 1/10W				
			(STR-DA2000ES)	R1637	1-219-796-11	RES-CHIP	0.025 1% 1W
R1531	1-216-815-11	METAL CHIP	330 5% 1/10W	R1640	1-216-816-11	METAL CHIP	390 5% 1/10W
				R1641	1-219-796-11	RES-CHIP	0.025 1% 1W
R1532	1-216-815-11	METAL CHIP	330 5% 1/10W	R1642	1-219-796-11	RES-CHIP	0.025 1% 1W
R1533	1-216-815-11	METAL CHIP	330 5% 1/10W	R1643	1-219-796-11	RES-CHIP	0.025 1% 1W
R1534	1-216-815-11	METAL CHIP	330 5% 1/10W				
R1535	1-216-815-11	METAL CHIP	330 5% 1/10W	R1644	1-219-796-11	RES-CHIP	0.025 1% 1W
R1536	1-216-815-11	METAL CHIP	330 5% 1/10W	R1645	1-219-796-11	RES-CHIP	0.025 1% 1W
				R1646	1-219-796-11	RES-CHIP	0.025 1% 1W
R1537	1-216-815-11	METAL CHIP	330 5% 1/10W	R1647	1-219-796-11	RES-CHIP	0.025 1% 1W
			(STR-DA2000ES)	R1650	1-216-816-11	METAL CHIP	390 5% 1/10W
R1541	1-216-815-11	METAL CHIP	330 5% 1/10W				
R1542	1-216-815-11	METAL CHIP	330 5% 1/10W	R1651	1-216-864-11	SHORT CHIP	0
R1543	1-216-815-11	METAL CHIP	330 5% 1/10W	R1652	1-216-864-11	SHORT CHIP	0
R1544	1-216-815-11	METAL CHIP	330 5% 1/10W	R1653	1-216-864-11	SHORT CHIP	0
				R1654	1-216-864-11	SHORT CHIP	0
R1545	1-216-815-11	METAL CHIP	330 5% 1/10W	R1655	1-216-864-11	SHORT CHIP	0
R1546	1-216-815-11	METAL CHIP	330 5% 1/10W				
R1547	1-216-815-11	METAL CHIP	330 5% 1/10W	R1656	1-216-864-11	SHORT CHIP	0
			(STR-DA2000ES)	R1657	1-216-864-11	SHORT CHIP	0 (STR-DA2000ES)
R1551	1-216-805-11	METAL CHIP	47 5% 1/10W	R1660	1-216-816-11	METAL CHIP	390 5% 1/10W
R1552	1-216-805-11	METAL CHIP	47 5% 1/10W				(STR-DA2000ES)
				R1661	1-216-864-11	SHORT CHIP	0
R1553	1-216-805-11	METAL CHIP	47 5% 1/10W	R1662	1-216-864-11	SHORT CHIP	0
R1554	1-216-805-11	METAL CHIP	47 5% 1/10W				
R1555	1-216-805-11	METAL CHIP	47 5% 1/10W	R1663	1-216-864-11	SHORT CHIP	0
R1556	1-216-805-11	METAL CHIP	47 5% 1/10W	R1664	1-216-864-11	SHORT CHIP	0
R1557	1-216-805-11	METAL CHIP	47 5% 1/10W	R1665	1-216-864-11	SHORT CHIP	0
			(STR-DA2000ES)	R1666	1-216-864-11	SHORT CHIP	0
				R1667	1-216-864-11	SHORT CHIP	0 (STR-DA2000ES)
R1561	1-216-805-11	METAL CHIP	47 5% 1/10W				
R1562	1-216-805-11	METAL CHIP	47 5% 1/10W	R1671	1-216-864-11	SHORT CHIP	0
R1563	1-216-805-11	METAL CHIP	47 5% 1/10W	R1672	1-216-864-11	SHORT CHIP	0
R1564	1-216-805-11	METAL CHIP	47 5% 1/10W	R1673	1-216-864-11	SHORT CHIP	0
R1565	1-216-805-11	METAL CHIP	47 5% 1/10W	R1674	1-216-864-11	SHORT CHIP	0
				R1675	1-216-864-11	SHORT CHIP	0
R1566	1-216-805-11	METAL CHIP	47 5% 1/10W				
R1567	1-216-805-11	METAL CHIP	47 5% 1/10W	R1676	1-216-864-11	SHORT CHIP	0
			(STR-DA2000ES)	R1677	1-216-864-11	SHORT CHIP	0 (STR-DA2000ES)
R1571	1-216-805-11	METAL CHIP	47 5% 1/10W	R1680	1-216-821-11	METAL CHIP	1K 5% 1/10W
R1572	1-216-805-11	METAL CHIP	47 5% 1/10W	R1681	1-216-864-11	SHORT CHIP	0
R1573	1-216-805-11	METAL CHIP	47 5% 1/10W	R1682	1-216-864-11	SHORT CHIP	0

# STR-DA2000ES/DB2000

## D. AMP

Ref. No.	Part No.	Description	Remark	Ref. No.	Part No.	Description	Remark
R1683	1-216-864-11	SHORT CHIP	0	R1761	1-216-829-11	METAL CHIP	4.7K 5% 1/10W
R1684	1-216-864-11	SHORT CHIP	0	R1762	1-216-829-11	METAL CHIP	4.7K 5% 1/10W
R1685	1-216-864-11	SHORT CHIP	0	R1763	1-216-829-11	METAL CHIP	4.7K 5% 1/10W
R1686	1-216-864-11	SHORT CHIP	0	R1764	1-216-829-11	METAL CHIP	4.7K 5% 1/10W
R1687	1-216-864-11	SHORT CHIP	0 (STR-DA2000ES)	R1765	1-216-829-11	METAL CHIP	4.7K 5% 1/10W
R1688	1-216-833-11	METAL CHIP	10K 5% 1/10W	R1766	1-216-829-11	METAL CHIP	4.7K 5% 1/10W (STR-DA2000ES)
△R1689	1-249-393-11	CARBON	10 5% 1/4W F	R1771	1-216-835-11	METAL CHIP	15K 5% 1/10W
R1690	1-216-821-11	METAL CHIP	1K 5% 1/10W	R1772	1-216-835-11	METAL CHIP	15K 5% 1/10W
R1698	1-216-833-11	METAL CHIP	10K 5% 1/10W	R1773	1-216-835-11	METAL CHIP	15K 5% 1/10W
△R1699	1-249-393-11	CARBON	10 5% 1/4W F	R1774	1-216-835-11	METAL CHIP	15K 5% 1/10W
R1701	1-216-833-11	METAL CHIP	10K 5% 1/10W	R1775	1-216-835-11	METAL CHIP	15K 5% 1/10W
R1702	1-216-833-11	METAL CHIP	10K 5% 1/10W	R1776	1-216-835-11	METAL CHIP	15K 5% 1/10W (STR-DA2000ES)
R1703	1-216-833-11	METAL CHIP	10K 5% 1/10W	R1781	1-216-803-11	METAL CHIP	33 5% 1/10W
R1704	1-216-833-11	METAL CHIP	10K 5% 1/10W	R1782	1-216-803-11	METAL CHIP	33 5% 1/10W
R1705	1-216-833-11	METAL CHIP	10K 5% 1/10W	R1783	1-216-803-11	METAL CHIP	33 5% 1/10W
R1706	1-216-833-11	METAL CHIP	10K 5% 1/10W	R1784	1-216-803-11	METAL CHIP	33 5% 1/10W
R1707	1-216-833-11	METAL CHIP	10K 5% 1/10W (STR-DA2000ES)	R1785	1-216-803-11	METAL CHIP	33 5% 1/10W
R1711	1-216-815-11	METAL CHIP	330 5% 1/10W	R1786	1-216-803-11	METAL CHIP	33 5% 1/10W (STR-DA2000ES)
R1712	1-216-815-11	METAL CHIP	330 5% 1/10W	R1791	1-216-828-11	METAL CHIP	3.9K 5% 1/10W
R1713	1-216-815-11	METAL CHIP	330 5% 1/10W	R1792	1-216-828-11	METAL CHIP	3.9K 5% 1/10W
R1714	1-216-815-11	METAL CHIP	330 5% 1/10W	R1793	1-216-828-11	METAL CHIP	3.9K 5% 1/10W
R1715	1-216-815-11	METAL CHIP	330 5% 1/10W	R1794	1-216-828-11	METAL CHIP	3.9K 5% 1/10W
R1716	1-216-815-11	METAL CHIP	330 5% 1/10W	R1795	1-216-828-11	METAL CHIP	3.9K 5% 1/10W
R1717	1-216-815-11	METAL CHIP	330 5% 1/10W (STR-DA2000ES)	R1796	1-216-828-11	METAL CHIP	3.9K 5% 1/10W (STR-DA2000ES)
R1721	1-216-819-11	METAL CHIP	680 5% 1/10W	R1800	1-216-821-11	METAL CHIP	1K 5% 1/10W
R1722	1-216-819-11	METAL CHIP	680 5% 1/10W	R1801	1-216-809-11	METAL CHIP	100 5% 1/10W
R1723	1-216-819-11	METAL CHIP	680 5% 1/10W	R1802	1-216-809-11	METAL CHIP	100 5% 1/10W
R1724	1-216-819-11	METAL CHIP	680 5% 1/10W	R1803	1-216-837-11	METAL CHIP	22K 5% 1/10W
R1725	1-216-819-11	METAL CHIP	680 5% 1/10W	R1804	1-216-833-11	METAL CHIP	10K 5% 1/10W
R1726	1-216-819-11	METAL CHIP	680 5% 1/10W	R1805	1-216-864-11	SHORT CHIP	0
R1727	1-216-819-11	METAL CHIP	680 5% 1/10W (STR-DA2000ES)	R1806	1-216-809-11	METAL CHIP	100 5% 1/10W
R1731	1-216-849-11	METAL CHIP	220K 5% 1/10W	R1807	1-216-833-11	METAL CHIP	10K 5% 1/10W
R1732	1-216-849-11	METAL CHIP	220K 5% 1/10W	R1808	1-216-833-11	METAL CHIP	10K 5% 1/10W
R1733	1-216-849-11	METAL CHIP	220K 5% 1/10W	R1809	1-216-833-11	METAL CHIP	10K 5% 1/10W
R1734	1-216-849-11	METAL CHIP	220K 5% 1/10W	R1810	1-216-833-11	METAL CHIP	10K 5% 1/10W
R1735	1-216-849-11	METAL CHIP	220K 5% 1/10W	R1811	1-216-809-11	METAL CHIP	100 5% 1/10W
R1736	1-216-849-11	METAL CHIP	220K 5% 1/10W	R1812	1-216-809-11	METAL CHIP	100 5% 1/10W
R1737	1-216-849-11	METAL CHIP	220K 5% 1/10W (STR-DA2000ES)	R1813	1-216-809-11	METAL CHIP	100 5% 1/10W
R1741	1-216-849-11	METAL CHIP	220K 5% 1/10W	R1814	1-216-809-11	METAL CHIP	100 5% 1/10W
R1742	1-216-849-11	METAL CHIP	220K 5% 1/10W	R1815	1-216-833-11	METAL CHIP	10K 5% 1/10W
R1743	1-216-849-11	METAL CHIP	220K 5% 1/10W	R1816	1-216-809-11	METAL CHIP	100 5% 1/10W
R1744	1-216-849-11	METAL CHIP	220K 5% 1/10W	R1817	1-216-833-11	METAL CHIP	10K 5% 1/10W
R1745	1-216-849-11	METAL CHIP	220K 5% 1/10W	R1818	1-216-809-11	METAL CHIP	100 5% 1/10W
R1746	1-216-849-11	METAL CHIP	220K 5% 1/10W	R1819	1-216-833-11	METAL CHIP	10K 5% 1/10W
R1747	1-216-849-11	METAL CHIP	220K 5% 1/10W (STR-DA2000ES)	R1822	1-216-809-11	METAL CHIP	100 5% 1/10W
R1751	1-216-844-11	METAL CHIP	82K 5% 1/10W	R1823	1-216-833-11	METAL CHIP	10K 5% 1/10W
R1752	1-216-844-11	METAL CHIP	82K 5% 1/10W	R1824	1-216-809-11	METAL CHIP	100 5% 1/10W
R1753	1-216-844-11	METAL CHIP	82K 5% 1/10W	R1825	1-216-833-11	METAL CHIP	10K 5% 1/10W
R1754	1-216-844-11	METAL CHIP	82K 5% 1/10W	R1826	1-216-809-11	METAL CHIP	100 5% 1/10W
R1755	1-216-844-11	METAL CHIP	82K 5% 1/10W	R1827	1-216-833-11	METAL CHIP	10K 5% 1/10W
R1756	1-216-844-11	METAL CHIP	82K 5% 1/10W	R1828	1-216-809-11	METAL CHIP	100 5% 1/10W
R1757	1-216-844-11	METAL CHIP	82K 5% 1/10W (STR-DA2000ES)	R1829	1-216-833-11	METAL CHIP	10K 5% 1/10W
				R1830	1-216-809-11	METAL CHIP	100 5% 1/10W
				R1831	1-216-809-11	METAL CHIP	100 5% 1/10W

The components identified by mark △ or dotted line with mark △ are critical for safety. Replace only with part number specified.

Les composants identifiés par une marque △ sont critiques pour la sécurité. Ne les remplacer que par une pièce portant le numéro spécifié.

## D. AMP

Ref. No.	Part No.	Description	Remark	Ref. No.	Part No.	Description	Remark
R1833	1-216-864-11	SHORT CHIP	0	R1947	1-216-845-11	METAL CHIP	100K 5% 1/10W
R1835	1-216-833-11	METAL CHIP	10K 5% 1/10W	R1952	1-216-809-11	METAL CHIP	100 5% 1/10W
R1836	1-216-833-11	METAL CHIP	10K 5% 1/10W	R1953	1-216-809-11	METAL CHIP	100 5% 1/10W
R1839	1-216-833-11	METAL CHIP	10K 5% 1/10W	R1954	1-216-809-11	METAL CHIP	100 5% 1/10W
R1842	1-216-864-11	SHORT CHIP	0	R1955	1-216-809-11	METAL CHIP	100 5% 1/10W
R1847	1-216-809-11	METAL CHIP	100 5% 1/10W	R1956	1-216-809-11	METAL CHIP	100 5% 1/10W
R1848	1-216-809-11	METAL CHIP	100 5% 1/10W	R1957	1-216-809-11	METAL CHIP	100 5% 1/10W
R1849	1-216-821-11	METAL CHIP	1K 5% 1/10W	R1970	1-216-809-11	METAL CHIP	100 5% 1/10W
R1850	1-216-833-11	METAL CHIP	10K 5% 1/10W	R1971	1-216-809-11	METAL CHIP	100 5% 1/10W
R1851	1-216-833-11	METAL CHIP	10K 5% 1/10W	R1972	1-216-809-11	METAL CHIP	100 5% 1/10W
△R1889	1-215-921-11	METAL OXIDE	4.7K 5% 3W F	R1980	1-216-809-11	METAL CHIP	100 5% 1/10W
R1890	1-216-833-11	METAL CHIP	10K 5% 1/10W	R1981	1-216-809-11	METAL CHIP	100 5% 1/10W
R1891	1-216-833-11	METAL CHIP	10K 5% 1/10W	R1982	1-216-809-11	METAL CHIP	100 5% 1/10W
R1892	1-216-857-11	METAL CHIP	1M 5% 1/10W	R1983	1-216-809-11	METAL CHIP	100 5% 1/10W
R1893	1-216-809-11	METAL CHIP	100 5% 1/10W	R1984	1-216-809-11	METAL CHIP	100 5% 1/10W
R1894	1-216-833-11	METAL CHIP	10K 5% 1/10W	R1985	1-216-809-11	METAL CHIP	100 5% 1/10W
R1895	1-216-857-11	METAL CHIP	1M 5% 1/10W	R1986	1-216-809-11	METAL CHIP	100 5% 1/10W
R1896	1-216-821-11	METAL CHIP	1K 5% 1/10W	R1987	1-216-809-11	METAL CHIP	100 5% 1/10W
R1897	1-216-864-11	SHORT CHIP	0	R1988	1-216-864-11	SHORT CHIP	0
R1899	1-216-864-11	SHORT CHIP	0	R1989	1-216-864-11	SHORT CHIP	0
R1901	1-216-845-11	METAL CHIP	100K 5% 1/10W	R1991	1-216-833-11	METAL CHIP	10K 5% 1/10W
R1902	1-216-845-11	METAL CHIP	100K 5% 1/10W	R1992	1-216-833-11	METAL CHIP	10K 5% 1/10W
R1903	1-216-845-11	METAL CHIP	100K 5% 1/10W	R1993	1-216-809-11	METAL CHIP	100 5% 1/10W
R1904	1-216-845-11	METAL CHIP	100K 5% 1/10W	R1994	1-216-833-11	METAL CHIP	10K 5% 1/10W
R1905	1-216-845-11	METAL CHIP	100K 5% 1/10W	R1995	1-216-833-11	METAL CHIP	10K 5% 1/10W
R1906	1-216-845-11	METAL CHIP	100K 5% 1/10W	R1996	1-216-833-11	METAL CHIP	10K 5% 1/10W
R1907	1-216-845-11	METAL CHIP	100K 5% 1/10W	R1997	1-216-833-11	METAL CHIP	10K 5% 1/10W
R1908	1-216-845-11	METAL CHIP	100K 5% 1/10W	R2852	1-216-825-11	METAL CHIP	2.2K 5% 1/10W
R1911	1-216-845-11	METAL CHIP	100K 5% 1/10W	R2853	1-216-833-11	METAL CHIP	10K 5% 1/10W
R1912	1-216-845-11	METAL CHIP	100K 5% 1/10W	△R2854	1-249-393-11	CARBON	10 5% 1/4W
R1913	1-216-845-11	METAL CHIP	100K 5% 1/10W	R2868	1-216-013-00	RES-CHIP	33 5% 1/10W
R1915	1-216-845-11	METAL CHIP	100K 5% 1/10W	R2887	1-216-198-00	RES-CHIP	1K 5% 1/8W
R1916	1-216-845-11	METAL CHIP	100K 5% 1/10W	R2887	1-259-995-11	CARBON MELF	1K 2% 1/8W
R1917	1-216-845-11	METAL CHIP	100K 5% 1/10W				(EXCEPT STR-DB2000: AEP, UK)
R1918	1-216-845-11	METAL CHIP	100K 5% 1/10W				(STR-DB2000: AEP, UK)
R1921	1-216-833-11	METAL CHIP	10K 5% 1/10W	R2888	1-216-013-00	RES-CHIP	33 5% 1/10W
R1922	1-216-833-11	METAL CHIP	10K 5% 1/10W	R2889	1-216-246-00	RES-CHIP	100K 5% 1/8W
R1923	1-216-833-11	METAL CHIP	10K 5% 1/10W				(EXCEPT STR-DB2000: AEP, UK)
R1924	1-216-833-11	METAL CHIP	10K 5% 1/10W	R2889	1-260-020-11	CARBON MELF	100K 2% 1/8W
R1925	1-216-833-11	METAL CHIP	10K 5% 1/10W				(STR-DB2000: AEP, UK)
R1926	1-216-833-11	METAL CHIP	10K 5% 1/10W	R2890	1-216-246-00	RES-CHIP	100K 5% 1/8W
R1927	1-216-833-11	METAL CHIP	10K 5% 1/10W				(EXCEPT STR-DB2000: AEP, UK)
R1928	1-216-833-11	METAL CHIP	10K 5% 1/10W	R2890	1-260-020-11	CARBON MELF	100K 2% 1/8W
R1931	1-216-833-11	METAL CHIP	10K 5% 1/10W				(STR-DB2000: AEP, UK)
R1932	1-216-833-11	METAL CHIP	10K 5% 1/10W	R2891	1-216-214-00	RES-CHIP	4.7K 5% 1/8W
R1933	1-216-833-11	METAL CHIP	10K 5% 1/10W				(EXCEPT STR-DB2000: AEP, UK)
R1935	1-216-833-11	METAL CHIP	10K 5% 1/10W	R2891	1-260-004-11	CARBON MELF	4.7K 2% 1/8W
R1936	1-216-833-11	METAL CHIP	10K 5% 1/10W				(STR-DB2000: AEP, UK)
R1937	1-216-833-11	METAL CHIP	10K 5% 1/10W	R2892	1-216-174-00	RES-CHIP	100 5% 1/8W
R1938	1-216-833-11	METAL CHIP	10K 5% 1/10W				(EXCEPT STR-DB2000: AEP, UK)
R1941	1-216-845-11	METAL CHIP	100K 5% 1/10W	R2892	1-259-983-11	CARBON MELF	100 2% 1/8W
R1942	1-216-845-11	METAL CHIP	100K 5% 1/10W				(STR-DB2000: AEP, UK)
R1943	1-216-805-11	METAL CHIP	47 5% 1/10W	R2893	1-216-198-00	RES-CHIP	1K 5% 1/8W
R1944	1-216-845-11	METAL CHIP	100K 5% 1/10W				(EXCEPT STR-DB2000: AEP, UK)
R1945	1-216-845-11	METAL CHIP	100K 5% 1/10W	R2893	1-259-995-11	CARBON MELF	1K 2% 1/8W
R1946	1-216-845-11	METAL CHIP	100K 5% 1/10W				(STR-DB2000: AEP, UK)
						< RELAY >	
				RY1480	1-755-486-11	RELAY	

The components identified by mark △ or dotted line with mark △ are critical for safety. Replace only with part number specified.

Les composants identifiés par une marque △ sont critiques pour la sécurité. Ne les remplacer que par une pièce portant le numéro spécifié.

**STR-DA2000ES/DB2000**

**D. AMP      DIGITAL**

Ref. No.	Part No.	Description	Remark
RY1680	1-755-170-11	RELAY (12V)	
RY1690	1-755-170-11	RELAY (12V)	
RY2851	1-755-486-11	RELAY	
< THERMISTOR >			
TH1791	1-810-641-21	CHIP, THERMISTOR	
TH1792	1-810-641-21	CHIP, THERMISTOR	
TH1793	1-810-641-21	CHIP, THERMISTOR	
TH1794	1-810-641-21	CHIP, THERMISTOR	
TH1795	1-810-641-21	CHIP, THERMISTOR	
TH1796	1-810-641-21	CHIP, THERMISTOR (STR-DA2000ES)	
< TERMINAL >			
TM1710	1-780-024-11	TERMINAL BOARD (SP) (8P) (FRONT SPEAKERS IMPEDANCE USE 4-16Ω) (STR-DA2000ES)	
TM1710	1-780-024-21	TERMINAL BOARD (SP) (8P) (FRONT SPEAKER IMPEDANCE USE 4-16Ω) (STR-DB2000)	
TM1730	1-694-992-11	TERMINAL BOARD (SP) (2P) (CENTER SPEAKERS IMPEDANCE USE 4-16Ω) (STR-DA2000ES)	
TM1730	1-780-025-21	TERMINAL BOARD (SP) (2P) (CENTER SPEAKERS IMPEDANCE USE 4-16Ω) (STR-DB2000)	
TM1740	1-694-992-11	TERMINAL BOARD (SP) (2P) (SURROUND SPEAKERS IMPEDANCE USE 4-16Ω L) (STR-DA2000ES)	
TM1740	1-780-025-21	TERMINAL BOARD (SP) (2P) (SURROUND SPEAKERS IMPEDANCE USE 4-16Ω L) (STR-DB2000)	
TM1750	1-694-992-11	TERMINAL BOARD (SP) (2P) (SURROUND SPEAKERS IMPEDANCE USE 4-16Ω R) (STR-DA2000ES)	
TM1750	1-780-025-21	TERMINAL BOARD (SP) (2P) (SURROUND SPEAKERS IMPEDANCE USE 4-16Ω R) (STR-DB2000)	
TM1760	1-694-992-11	TERMINAL BOARD (SP) (2P) (SURROUND BACK SPEAKERS IMPEDANCE USE 4-16Ω L) (STR-DA2000ES)	
TM1760	1-780-025-21	TERMINAL BOARD (SP) (2P) (SURROUND BACK SPEAKER IMPEDANCE USE 4-16Ω) (STR-DB2000)	
TM1770	1-694-992-11	TERMINAL BOARD (SP) (2P) (SURROUND BACK SPEAKERS IMPEDANCE USE 4-16Ω R)(STR-DA2000ES)	
< VIBRATOR >			
X1471	1-795-660-21	QUARTZ CRYSTAL UNIT (49.125MHz)	
X1800	1-579-952-21	VIBRATOR, CERAMIC (8MHz)	
*****			
A-4733-922-A	DIGITAL BOARD, COMPLETE (STR-DA2000ES)		
A-4734-045-A	DIGITAL BOARD, COMPLETE (STR-DB2000: SP, MY)		
A-4734-054-A	DIGITAL BOARD, COMPLETE (STR-DB2000: AEP, UK)		
*****			
< CAPACITOR >			
C2001	1-165-319-11	CERAMIC CHIP	0.1uF 50V
C2002	1-165-319-11	CERAMIC CHIP	0.1uF 50V

Ref. No.	Part No.	Description	Remark
C2003	1-165-319-11	CERAMIC CHIP	0.1uF 50V
C2004	1-165-319-11	CERAMIC CHIP	0.1uF 50V
C2005	1-165-319-11	CERAMIC CHIP	0.1uF 50V
C2007	1-126-967-11	ELECT	47uF 20% 50V (STR-DA2000ES)
C2007	1-128-860-11	ELECT	47uF 20% 50V (STR-DB2000: SP, MY)
C2007	1-135-746-11	ELECT	47uF 50V (STR-DB2000: AEP, UK)
C2009	1-165-319-11	CERAMIC CHIP	0.1uF 50V
C2010	1-126-916-11	ELECT	1000uF 20% 6.3V (STR-DA2000ES)
C2010	1-135-656-91	ELECT	1000uF 6.3V (STR-DB2000: AEP, UK)
C2010	1-137-658-91	ELECT	1000uF 20% 6.3V (STR-DB2000: SP, MY)
C2011	1-126-964-11	ELECT	10uF 20% 50V (STR-DA2000ES)
C2011	1-119-824-11	ELECT	10uF 20% 50V (STR-DB2000: SP, MY)
C2011	1-135-743-11	ELECT	10uF 50V (STR-DB2000: AEP, UK)
C2012	1-165-319-11	CERAMIC CHIP	0.1uF 50V
C2013	1-135-711-91	ELECT	470uF 16V (STR-DB2000: AEP, UK)
C2014	1-163-251-11	CERAMIC CHIP	100PF 5% 50V (STR-DB2000: AEP, UK)
C2016	1-163-251-11	CERAMIC CHIP	100PF 5% 50V
C2017	1-126-935-11	ELECT	470uF 20% 16V (STR-DA2000ES)
C2017	1-127-720-91	ELECT	470uF 20% 16V (STR-DB2000: SP, MY)
C2017	1-135-711-91	ELECT	470uF 16V (STR-DB2000: AEP, UK)
C2026	1-126-964-11	ELECT	10uF 20% 50V (STR-DA2000ES)
C2026	1-119-824-11	ELECT	10uF 20% 50V (STR-DB2000: SP, MY)
C2026	1-135-743-11	ELECT	10uF 50V (STR-DB2000: AEP, UK)
C2027	1-165-319-11	CERAMIC CHIP	0.1uF 50V
C2028	1-165-319-11	CERAMIC CHIP	0.1uF 50V
C2029	1-126-964-11	ELECT	10uF 20% 50V (STR-DA2000ES)
C2029	1-119-824-11	ELECT	10uF 20% 50V (STR-DB2000: SP, MY)
C2029	1-135-743-11	ELECT	10uF 50V (STR-DB2000: AEP, UK)
C2030	1-126-964-11	ELECT	10uF 20% 50V (STR-DA2000ES)
C2030	1-119-824-11	ELECT	10uF 20% 50V (STR-DB2000: SP, MY)
C2030	1-135-743-11	ELECT	10uF 50V (STR-DB2000: AEP, UK)
C2031	1-126-963-11	ELECT	4.7uF 20% 50V (STR-DA2000ES)
C2031	1-119-823-11	ELECT	4.7uF 20% 50V (STR-DB2000: SP, MY)
C2031	1-135-743-11	ELECT	10uF 50V (STR-DB2000: AEP, UK)
C2032	1-165-319-11	CERAMIC CHIP	0.1uF 50V
C2033	1-165-319-11	CERAMIC CHIP	0.1uF 50V

DIGITAL

Ref. No.	Part No.	Description	Remark	Ref. No.	Part No.	Description	Remark
C2034	1-126-964-11	ELECT	10uF 20% 50V (STR-DA2000ES)	C2055	1-165-319-11	CERAMIC CHIP	0.1uF 50V
C2034	1-119-824-11	ELECT	10uF 20% 50V (STR-DB2000: SP, MY)	C2056	1-126-964-11	ELECT	10uF 20% 50V (STR-DA2000ES)
C2034	1-135-743-11	ELECT	10uF 50V (STR-DB2000: AEP, UK)	C2056	1-119-824-11	ELECT	10uF 20% 50V (STR-DB2000: SP, MY)
C2035	1-165-319-11	CERAMIC CHIP	0.1uF 50V	C2056	1-135-743-11	ELECT	10uF 50V (STR-DB2000: AEP, UK)
C2036	1-126-964-11	ELECT	10uF 20% 50V (STR-DA2000ES)	C2057	1-165-319-11	CERAMIC CHIP	0.1uF 50V
C2036	1-119-824-11	ELECT	10uF 20% 50V (STR-DB2000: SP, MY)	C2058	1-165-319-11	CERAMIC CHIP	0.1uF 50V
C2036	1-135-743-11	ELECT	10uF 50V (STR-DB2000: AEP, UK)	C2059	1-126-964-11	ELECT	10uF 20% 50V (STR-DA2000ES)
C2037	1-165-319-11	CERAMIC CHIP	0.1uF 50V	C2059	1-119-824-11	ELECT	10uF 20% 50V (STR-DB2000: SP, MY)
C2038	1-126-964-11	ELECT	10uF 20% 50V (STR-DA2000ES)	C2059	1-135-743-11	ELECT	10uF 50V (STR-DB2000: AEP, UK)
C2038	1-119-824-11	ELECT	10uF 20% 50V (STR-DB2000: SP, MY)	C2060	1-165-319-11	CERAMIC CHIP	0.1uF 50V
C2038	1-135-743-11	ELECT	10uF 50V (STR-DB2000: AEP, UK)	C2061	1-126-964-11	ELECT	10uF 20% 50V (STR-DA2000ES)
C2039	1-165-319-11	CERAMIC CHIP	0.1uF 50V	C2061	1-119-824-11	ELECT	10uF 20% 50V (STR-DB2000: SP, MY)
C2040	1-165-319-11	CERAMIC CHIP	0.1uF 50V	C2061	1-135-743-11	ELECT	10uF 50V (STR-DB2000: AEP, UK)
C2041	1-165-319-11	CERAMIC CHIP	0.1uF 50V	C2062	1-165-319-11	CERAMIC CHIP	0.1uF 50V
C2042	1-165-319-11	CERAMIC CHIP	0.1uF 50V	C2063	1-165-319-11	CERAMIC CHIP	0.1uF 50V
C2043	1-126-964-11	ELECT	10uF 20% 50V (STR-DA2000ES)	C2064	1-165-319-11	CERAMIC CHIP	0.1uF 50V
C2043	1-119-824-11	ELECT	10uF 20% 50V (STR-DB2000: SP, MY)	C2065	1-126-964-11	ELECT	10uF 20% 50V (STR-DA2000ES)
C2043	1-135-743-11	ELECT	10uF 50V (STR-DB2000: AEP, UK)	C2065	1-119-824-11	ELECT	10uF 20% 50V (STR-DB2000: SP, MY)
C2044	1-165-319-11	CERAMIC CHIP	0.1uF 50V	C2065	1-135-743-11	ELECT	10uF 50V (STR-DB2000: AEP, UK)
C2045	1-126-964-11	ELECT	10uF 20% 50V (STR-DA2000ES)	C2066	1-165-319-11	CERAMIC CHIP	0.1uF 50V
C2045	1-119-824-11	ELECT	10uF 20% 50V (STR-DB2000: SP, MY)	C2067	1-126-964-11	ELECT	10uF 20% 50V (STR-DA2000ES)
C2045	1-135-743-11	ELECT	10uF 50V (STR-DB2000: AEP, UK)	C2067	1-119-824-11	ELECT	10uF 20% 50V (STR-DB2000: SP, MY)
C2046	1-165-319-11	CERAMIC CHIP	0.1uF 50V	C2067	1-135-743-11	ELECT	10uF 50V (STR-DB2000: AEP, UK)
C2047	1-165-319-11	CERAMIC CHIP	0.1uF 50V	C2068	1-165-319-11	CERAMIC CHIP	0.1uF 50V
C2048	1-126-964-11	ELECT	10uF 20% 50V (STR-DA2000ES)	C2069	1-165-319-11	CERAMIC CHIP	0.1uF 50V
C2048	1-119-824-11	ELECT	10uF 20% 50V (STR-DB2000: SP, MY)	C2070	1-126-964-11	ELECT	10uF 20% 50V (STR-DA2000ES)
C2048	1-135-743-11	ELECT	10uF 50V (STR-DB2000: AEP, UK)	C2070	1-119-824-11	ELECT	10uF 20% 50V (STR-DB2000: SP, MY)
C2049	1-165-319-11	CERAMIC CHIP	0.1uF 50V	C2070	1-135-743-11	ELECT	10uF 50V (STR-DB2000: AEP, UK)
C2050	1-126-964-11	ELECT	10uF 20% 50V (STR-DA2000ES)	C2071	1-165-319-11	CERAMIC CHIP	0.1uF 50V
C2050	1-119-824-11	ELECT	10uF 20% 50V (STR-DB2000: SP, MY)	C2072	1-126-964-11	ELECT	10uF 20% 50V (STR-DA2000ES)
C2050	1-135-743-11	ELECT	10uF 50V (STR-DB2000: AEP, UK)	C2072	1-119-824-11	ELECT	10uF 20% 50V (STR-DB2000: SP, MY)
C2051	1-165-319-11	CERAMIC CHIP	0.1uF 50V	C2072	1-135-743-11	ELECT	10uF 50V (STR-DB2000: AEP, UK)
C2052	1-165-319-11	CERAMIC CHIP	0.1uF 50V	C2073	1-165-319-11	CERAMIC CHIP	0.1uF 50V
C2053	1-165-319-11	CERAMIC CHIP	0.1uF 50V	C2074	1-165-319-11	CERAMIC CHIP	0.1uF 50V
C2054	1-126-964-11	ELECT	10uF 20% 50V (STR-DA2000ES)	C2075	1-165-319-11	CERAMIC CHIP	0.1uF 50V
C2054	1-119-824-11	ELECT	10uF 20% 50V (STR-DB2000: SP, MY)	C2076	1-126-964-11	ELECT	10uF 20% 50V (STR-DA2000ES)
C2054	1-135-743-11	ELECT	10uF 50V (STR-DB2000: AEP, UK)	C2076	1-119-824-11	ELECT	10uF 20% 50V (STR-DB2000: SP, MY)
				C2076	1-135-743-11	ELECT	10uF 50V (STR-DB2000: AEP, UK)

# STR-DA2000ES/DB2000

## DIGITAL

Ref. No.	Part No.	Description	Remark	Ref. No.	Part No.	Description	Remark
C2077	1-165-319-11	CERAMIC CHIP	0.1uF 50V	C2202	1-165-319-11	CERAMIC CHIP	0.1uF 50V
C2078	1-126-964-11	ELECT	10uF 20% 50V (STR-DA2000ES)	C2203	1-165-319-11	CERAMIC CHIP	0.1uF 50V
C2078	1-119-824-11	ELECT	10uF 20% 50V (STR-DB2000: SP, MY)	C2204	1-165-319-11	CERAMIC CHIP	0.1uF 50V
C2078	1-135-743-11	ELECT	10uF 50V (STR-DB2000: AEP, UK)	C2205	1-165-319-11	CERAMIC CHIP	0.1uF 50V
C2079	1-165-319-11	CERAMIC CHIP	0.1uF 50V	C2206	1-165-319-11	CERAMIC CHIP	0.1uF 50V
C2080	1-165-319-11	CERAMIC CHIP	0.1uF 50V	C2207	1-165-319-11	CERAMIC CHIP	0.1uF 50V
C2090	1-163-037-11	CERAMIC CHIP	0.022uF 10% 50V	C2208	1-163-237-11	CERAMIC CHIP	27PF 5% 50V
C2091	1-163-037-11	CERAMIC CHIP	0.022uF 10% 50V	C2209	1-163-237-11	CERAMIC CHIP	27PF 5% 50V
C2092	1-163-037-11	CERAMIC CHIP	0.022uF 10% 50V	C2210	1-165-319-11	CERAMIC CHIP	0.1uF 50V
C2093	1-163-037-11	CERAMIC CHIP	0.022uF 10% 50V	C2211	1-165-319-11	CERAMIC CHIP	0.1uF 50V
C2094	1-163-037-11	CERAMIC CHIP	0.022uF 10% 50V	C2212	1-165-319-11	CERAMIC CHIP	0.1uF 50V
C2095	1-163-037-11	CERAMIC CHIP	0.022uF 10% 50V	C2213	1-165-319-11	CERAMIC CHIP	0.1uF 50V
C2096	1-163-037-11	CERAMIC CHIP	0.022uF 10% 50V	C2215	1-165-319-11	CERAMIC CHIP	0.1uF 50V
C2097	1-163-037-11	CERAMIC CHIP	0.022uF 10% 50V	C2216	1-165-319-11	CERAMIC CHIP	0.1uF 50V
C2098	1-165-319-11	CERAMIC CHIP	0.1uF 50V	C2219	1-165-319-11	CERAMIC CHIP	0.1uF 50V
C2121	1-163-005-91	CERAMIC CHIP	470PF 10% 50V	C2220	1-165-319-11	CERAMIC CHIP	0.1uF 50V
C2122	1-165-319-11	CERAMIC CHIP	0.1uF 50V	C2221	1-104-661-91	ELECT	330uF 20% 16V (STR-DA2000ES)
C2123	1-163-251-11	CERAMIC CHIP	100PF 5% 50V	C2221	1-128-846-11	ELECT	330uF 20% 25V (STR-DB2000: SP, MY)
C2124	1-126-934-11	ELECT	220uF 20% 16V (STR-DA2000ES)	C2221	1-135-724-91	ELECT	330uF 16V (STR-DB2000: AEP, UK)
C2124	1-128-832-11	ELECT	220uF 20% 10V (STR-DB2000: SP, MY)	C2222	1-126-935-11	ELECT	470uF 20% 16V (STR-DA2000ES)
C2124	1-135-667-91	ELECT	220uF 10V (STR-DB2000: AEP, UK)	C2222	1-128-834-11	ELECT	470uF 20% 10V (STR-DB2000: SP, MY)
C2126	1-125-838-11	CERAMIC CHIP	2.2uF 10% 6.3V	C2222	1-135-669-11	ELECT	470uF 10V (STR-DB2000: AEP, UK)
C2127	1-165-319-11	CERAMIC CHIP	0.1uF 50V	C2223	1-165-319-11	CERAMIC CHIP	0.1uF 50V
C2128	1-104-661-91	ELECT	330uF 20% 16V (STR-DA2000ES)	C2224	1-165-319-11	CERAMIC CHIP	0.1uF 50V
C2128	1-128-846-11	ELECT	330uF 20% 25V (STR-DB2000: SP, MY)	C2225	1-165-319-11	CERAMIC CHIP	0.1uF 50V
C2128	1-135-724-91	ELECT	330uF 16V (STR-DB2000: AEP, UK)	C2227	1-165-319-11	CERAMIC CHIP	0.1uF 50V
C2129	1-165-319-11	CERAMIC CHIP	0.1uF 50V	C2228	1-165-319-11	CERAMIC CHIP	0.1uF 50V
C2130	1-165-319-11	CERAMIC CHIP	0.1uF 50V	C2401	1-165-319-11	CERAMIC CHIP	0.1uF 50V
C2132	1-163-009-11	CERAMIC CHIP	0.001uF 10% 50V	C2402	1-165-319-11	CERAMIC CHIP	0.1uF 50V
C2133	1-165-319-11	CERAMIC CHIP	0.1uF 50V	C2403	1-165-319-11	CERAMIC CHIP	0.1uF 50V
C2134	1-165-319-11	CERAMIC CHIP	0.1uF 50V	C2404	1-165-319-11	CERAMIC CHIP	0.1uF 50V
C2135	1-163-021-11	CERAMIC CHIP	0.01uF 10% 50V	C2405	1-126-933-11	ELECT	100uF 20% 16V (STR-DA2000ES)
C2136	1-104-760-11	CERAMIC CHIP	0.047uF 10% 50V	C2405	1-127-718-91	ELECT	100uF 20% 16V (STR-DB2000: SP, MY)
C2139	1-126-962-11	ELECT	3.3uF 20% 50V (STR-DA2000ES)	C2405	1-135-709-91	ELECT	100uF 16V (STR-DB2000: AEP, UK)
C2139	1-119-822-11	ELECT	3.3uF 20% 50V (STR-DB2000: SP, MY)	C2406	1-165-319-11	CERAMIC CHIP	0.1uF 50V
C2139	1-135-741-91	ELECT	3.3uF 50V (STR-DB2000: AEP, UK)	C2426	1-165-319-11	CERAMIC CHIP	0.1uF 50V
C2140	1-128-551-11	ELECT	22uF 20% 63V (STR-DA2000ES)	C2427	1-165-319-11	CERAMIC CHIP	0.1uF 50V
C2140	1-128-869-91	ELECT	22uF 20% 63V (STR-DB2000: SP, MY)	C2428	1-165-319-11	CERAMIC CHIP	0.1uF 50V
C2140	1-135-768-91	ELECT	22uF 63V (STR-DB2000: AEP, UK)	C2429	1-165-319-11	CERAMIC CHIP	0.1uF 50V
C2142	1-163-229-11	CERAMIC CHIP	12PF 5% 50V	C2430	1-165-319-11	CERAMIC CHIP	0.1uF 50V
C2143	1-163-227-11	CERAMIC CHIP	10PF 0.5PF 50V	C2431	1-165-319-11	CERAMIC CHIP	0.1uF 50V
C2145	1-165-319-11	CERAMIC CHIP	0.1uF 50V	C2433	1-126-933-11	ELECT	100uF 20% 16V (STR-DA2000ES)
C2146	1-165-319-11	CERAMIC CHIP	0.1uF 50V	C2433	1-127-718-91	ELECT	100uF 20% 16V (STR-DB2000: SP, MY)
C2147	1-165-319-11	CERAMIC CHIP	0.1uF 50V	C2433	1-135-709-91	ELECT	100uF 16V (STR-DB2000: AEP, UK)
C2201	1-165-319-11	CERAMIC CHIP	0.1uF 50V	C2434	1-165-319-11	CERAMIC CHIP	0.1uF 50V
				C2435	1-163-251-11	CERAMIC CHIP	100PF 5% 50V
				C2501	1-165-319-11	CERAMIC CHIP	0.1uF 50V
				C2502	1-165-319-11	CERAMIC CHIP	0.1uF 50V



DIGITAL

Ref. No.	Part No.	Description	Remark	Ref. No.	Part No.	Description	Remark
C2503	1-165-319-11	CERAMIC CHIP	0.1uF 50V	C2714	1-126-768-11	ELECT	2200uF 20% 16V
C2504	1-126-933-11	ELECT	100uF 20% 16V (STR-DA2000ES)	C2714	1-127-722-51	ELECT	2200uF 20% 16V (STR-DB2000: SP, MY)
C2504	1-127-718-91	ELECT	100uF 20% 16V (STR-DB2000: SP, MY)	C2714	1-135-836-11	ELECT	2200uF 16V (STR-DB2000: AEP, UK)
C2504	1-135-709-91	ELECT	100uF 16V (STR-DB2000: AEP, UK)	C2715	1-165-319-11	CERAMIC CHIP	0.1uF 50V
C2505	1-125-838-11	CERAMIC CHIP	2.2uF 10% 6.3V	C2716	1-126-768-11	ELECT	2200uF 20% 16V (STR-DA2000ES)
C2506	1-163-021-11	CERAMIC CHIP	0.01uF 10% 50V	C2716	1-127-722-51	ELECT	2200uF 20% 16V (STR-DB2000: SP, MY)
C2507	1-125-838-11	CERAMIC CHIP	2.2uF 10% 6.3V	C2716	1-135-836-11	ELECT	2200uF 16V (STR-DB2000: AEP, UK)
C2508	1-125-838-11	CERAMIC CHIP	2.2uF 10% 6.3V	C2717	1-165-319-11	CERAMIC CHIP	0.1uF 50V
C2510	1-165-319-11	CERAMIC CHIP	0.1uF 50V	C2718	1-126-768-11	ELECT	2200uF 20% 16V (STR-DA2000ES)
C2511	1-164-505-11	CERAMIC CHIP	2.2uF 16V	C2718	1-127-722-51	ELECT	2200uF 20% 16V (STR-DB2000: SP, MY)
C2599	1-126-947-11	ELECT	47uF 20% 35V (STR-DA2000ES)	C2718	1-135-836-11	ELECT	2200uF 16V (STR-DB2000: AEP, UK)
C2599	1-128-840-11	ELECT	47uF 20% 16V (STR-DB2000: SP, MY)	C2719	1-165-319-11	CERAMIC CHIP	0.1uF 50V
C2599	1-135-708-91	ELECT	47uF 16V (STR-DB2000: AEP, UK)	C2720	1-165-319-11	CERAMIC CHIP	0.1uF 50V
C2600	1-165-319-11	CERAMIC CHIP	0.1uF 50V	C2731	1-163-243-11	CERAMIC CHIP	47PF 5% 50V
C2601	1-126-933-11	ELECT	100uF 20% 16V (STR-DA2000ES)	C2732	1-163-021-11	CERAMIC CHIP	0.01uF 10% 50V
C2601	1-127-718-91	ELECT	100uF 20% 16V (STR-DB2000: SP, MY)	C2735	1-126-947-11	ELECT	47uF 20% 35V (STR-DA2000ES)
C2601	1-135-709-91	ELECT	100uF 16V (STR-DB2000: AEP, UK)	C2736	1-165-319-11	CERAMIC CHIP	0.1uF 50V (STR-DA2000ES)
C2602	1-165-319-11	CERAMIC CHIP	0.1uF 50V	C2737	1-163-133-00	CERAMIC CHIP	470PF 5% 50V (STR-DA2000ES)
C2603	1-165-319-11	CERAMIC CHIP	0.1uF 50V	C2738	1-163-133-00	CERAMIC CHIP	470PF 5% 50V (STR-DA2000ES)
C2604	1-165-319-11	CERAMIC CHIP	0.1uF 50V	C2800	1-165-319-11	CERAMIC CHIP	0.1uF 50V
C2605	1-165-319-11	CERAMIC CHIP	0.1uF 50V	C2801	1-126-964-11	ELECT	10uF 20% 50V (STR-DA2000ES)
C2606	1-165-319-11	CERAMIC CHIP	0.1uF 50V	C2801	1-119-824-11	ELECT	10uF 20% 50V (STR-DB2000: SP, MY)
C2607	1-165-319-11	CERAMIC CHIP	0.1uF 50V	C2801	1-135-743-11	ELECT	10uF 50V (STR-DB2000: AEP, UK)
C2608	1-165-319-11	CERAMIC CHIP	0.1uF 50V	C2802	1-165-319-11	CERAMIC CHIP	0.1uF 50V
C2609	1-165-319-11	CERAMIC CHIP	0.1uF 50V	C2803	1-126-964-11	ELECT	10uF 20% 50V (STR-DA2000ES)
C2610	1-163-009-11	CERAMIC CHIP	0.001uF 10% 50V	C2803	1-119-824-11	ELECT	10uF 20% 50V (STR-DB2000: SP, MY)
C2611	1-163-009-11	CERAMIC CHIP	0.001uF 10% 50V	C2803	1-135-743-11	ELECT	10uF 50V (STR-DB2000: AEP, UK)
C2612	1-165-319-11	CERAMIC CHIP	0.1uF 50V	C2804	1-126-964-11	ELECT	10uF 20% 50V (STR-DA2000ES)
C2613	1-165-319-11	CERAMIC CHIP	0.1uF 50V	C2804	1-119-824-11	ELECT	10uF 20% 50V (STR-DB2000: SP, MY)
C2614	1-165-319-11	CERAMIC CHIP	0.1uF 50V	C2804	1-135-743-11	ELECT	10uF 50V (STR-DB2000: AEP, UK)
C2615	1-165-319-11	CERAMIC CHIP	0.1uF 50V	C2806	1-165-319-11	CERAMIC CHIP	0.1uF 50V (STR-DA2000ES)
C2616	1-165-319-11	CERAMIC CHIP	0.1uF 50V	C2807	1-126-964-11	ELECT	10uF 20% 50V (STR-DA2000ES)
C2617	1-165-319-11	CERAMIC CHIP	0.1uF 50V	C2808	1-165-319-11	CERAMIC CHIP	0.1uF 50V (STR-DA2000ES)
C2618	1-165-319-11	CERAMIC CHIP	0.1uF 50V	C2809	1-126-964-11	ELECT	10uF 20% 50V (STR-DA2000ES)
C2619	1-165-319-11	CERAMIC CHIP	0.1uF 50V	C2810	1-126-964-11	ELECT	10uF 20% 50V (STR-DA2000ES)
C2620	1-165-319-11	CERAMIC CHIP	0.1uF 50V				
C2621	1-165-319-11	CERAMIC CHIP	0.1uF 50V				
C2622	1-165-319-11	CERAMIC CHIP	0.1uF 50V				
C2623	1-165-319-11	CERAMIC CHIP	0.1uF 50V				
C2624	1-163-125-00	CERAMIC CHIP	220PF 5% 50V				
C2625	1-165-319-11	CERAMIC CHIP	0.1uF 50V				
C2626	1-163-021-11	CERAMIC CHIP	0.01uF 10% 50V				
C2627	1-126-933-11	ELECT	100uF 20% 16V (STR-DA2000ES)				
C2627	1-127-718-91	ELECT	100uF 20% 16V (STR-DB2000: SP, MY)				
C2627	1-135-709-91	ELECT	100uF 16V (STR-DB2000: AEP, UK)				
C2665	1-163-009-11	CERAMIC CHIP	0.001uF 10% 50V				
C2702	1-165-319-11	CERAMIC CHIP	0.1uF 50V				

# STR-DA2000ES/DB2000

## DIGITAL

Ref. No.	Part No.	Description	Remark	Ref. No.	Part No.	Description	Remark
C2811	1-165-319-11	CERAMIC CHIP	0.1uF 50V	D2122	8-719-016-74	DIODE 1SS352	
C2812	1-165-319-11	CERAMIC CHIP	0.1uF 50V	D2123	8-719-016-74	DIODE 1SS352	
			(STR-DA2000ES)	D2499	8-719-801-78	DIODE 1SS184	
C2813	1-163-227-11	CERAMIC CHIP	10PF 0.5PF 50V				
			(STR-DB2000)	D2601	8-719-801-78	DIODE 1SS184	
C2814	1-163-227-11	CERAMIC CHIP	10PF 0.5PF 50V	D2602	8-719-016-74	DIODE 1SS352	
				D2603	8-719-016-74	DIODE 1SS352	
C2861	1-126-966-11	ELECT	33uF 20% 50V	D2685	8-719-016-74	DIODE 1SS352	
			(STR-DA2000ES)	D2800	8-719-073-35	DIODE RB551V-30TE-17	
C2861	1-128-859-91	ELECT	33uF 20% 50V				
			(STR-DB2000: SP, MY)	D2801	8-719-801-78	DIODE 1SS184	
C2861	1-135-745-91	ELECT	33uF 50V	D2802	8-719-801-78	DIODE 1SS184 (STR-DA2000ES)	
			(STR-DB2000: AEP, UK)	D2803	8-719-801-78	DIODE 1SS184	
C2862	1-130-473-00	MYLAR	0.0015uF 5% 50V				
C2863	1-130-467-00	MYLAR	470PF 5% 50V				< EARTH TERMINAL >
				* EP2001	1-537-738-21	TERMINAL, EARTH	
C2864	1-126-966-11	ELECT	33uF 20% 50V	* EP2002	1-537-738-21	TERMINAL, EARTH	
			(STR-DA2000ES)				< FERRITE BEAD/SHORT >
C2864	1-128-859-91	ELECT	33uF 20% 50V				
			(STR-DB2000: SP, MY)	FB1101	1-469-152-11	FERRITE, EMI (SMD) (2012)	
C2864	1-135-745-91	ELECT	33uF 50V	FB1103	1-469-152-11	FERRITE, EMI (SMD) (2012)	
			(STR-DB2000: AEP, UK)	FB1106	1-216-295-00	SHORT CHIP 0	
C2865	1-130-469-00	MYLAR	680PF 5% 50V	FB1107	1-216-295-00	SHORT CHIP 0	
C2901	1-126-966-11	ELECT	33uF 20% 50V	FB1270	1-216-295-00	SHORT CHIP 0	
			(STR-DA2000ES)				
C2902	1-163-145-00	CERAMIC CHIP	0.0015uF 5% 50V	FB2000	1-469-152-11	FERRITE, EMI (SMD) (2012)	
			(STR-DA2000ES)	FB2001	1-469-152-11	FERRITE, EMI (SMD) (2012)	
C2903	1-163-005-91	CERAMIC CHIP	470PF 10% 50V	FB2002	1-469-152-11	FERRITE, EMI (SMD) (2012)	
			(STR-DA2000ES)	FB2003	1-469-152-11	FERRITE, EMI (SMD) (2012)	
C2904	1-126-966-11	ELECT	33uF 20% 50V	FB2004	1-469-152-11	FERRITE, EMI (SMD) (2012)	
			(STR-DA2000ES)				
C2905	1-130-469-00	MYLAR	680PF 5% 50V	FB2005	1-469-152-11	FERRITE, EMI (SMD) (2012)	
			(STR-DA2000ES)	FB2006	1-469-152-11	FERRITE, EMI (SMD) (2012)	
C2921	1-126-966-11	ELECT	33uF 20% 50V	FB2050	1-469-152-11	FERRITE, EMI (SMD) (2012)	
			(STR-DA2000ES)	FB2051	1-469-152-11	FERRITE, EMI (SMD) (2012)	
							(STR-DB2000: AEP, UK)
C2922	1-163-145-00	CERAMIC CHIP	0.0015uF 5% 50V	FB2153	1-469-144-21	FERRITE, EMI (SMD) (2012)	
			(STR-DA2000ES)				
C2923	1-163-005-91	CERAMIC CHIP	470PF 10% 50V	FB2154	1-469-144-21	FERRITE, EMI (SMD) (2012)	
			(STR-DA2000ES)	FB2155	1-216-295-00	SHORT CHIP 0	
C2924	1-126-966-11	ELECT	33uF 20% 50V	FB2156	1-469-139-21	FERRITE, EMI (SMD) (2012)	
			(STR-DA2000ES)	FB2200	1-469-152-11	FERRITE, EMI (SMD) (2012)	
C2925	1-130-469-00	MYLAR	680PF 5% 50V	FB2201	1-469-152-11	FERRITE, EMI (SMD) (2012)	
			(STR-DA2000ES)				
				FB2310	1-216-295-00	SHORT CHIP 0	
				FB2401	1-469-152-11	FERRITE, EMI (SMD) (2012)	
				FB2426	1-469-152-11	FERRITE, EMI (SMD) (2012)	
				FB2501	1-469-152-11	FERRITE, EMI (SMD) (2012)	
				FB2601	1-469-152-11	FERRITE, EMI (SMD) (2012)	
				FB2674	1-469-152-11	FERRITE, EMI (SMD) (2012)	
				FB2685	1-469-152-11	FERRITE, EMI (SMD) (2012) (STR-DA2000ES)	
				FB2701	1-469-152-11	FERRITE, EMI (SMD) (2012)	
				FB2703	1-469-152-11	FERRITE, EMI (SMD) (2012)	
				FB2704	1-469-152-11	FERRITE, EMI (SMD) (2012)	
				FB2731	1-469-152-11	FERRITE, EMI (SMD) (2012) (STR-DA2000ES)	
				FB2732	1-469-152-11	FERRITE, EMI (SMD) (2012)	
				FB2733	1-469-152-11	FERRITE, EMI (SMD) (2012)	
				FB2810	1-469-152-11	FERRITE, EMI (SMD) (2012)	
							< IC >
				IC2000	6-600-012-11	IC TOTX141L (RED) (OPTICAL MD/DAT OUT)	
				IC2001	6-600-014-01	IC TORX141L (OPTICAL MD/DAT IN)	
				IC2002	6-600-014-01	IC TORX141L (OPTICAL TV/SAT IN)	
				IC2003	6-600-014-01	IC TORX141L (OPTICAL DVD IN)	
D1101	8-719-016-74	DIODE 1SS352					
D2000	8-719-073-35	DIODE RB551V-30TE-17					

Ref. No.	Part No.	Description	Remark	Ref. No.	Part No.	Description	Remark
IC2004	8-759-096-87	IC TC7WU04FU (TE12R)		JR2733	1-216-295-00	SHORT CHIP 0	
IC2005	8-759-926-17	IC SN74HC153ANS				< TRANSISTOR >	
IC2009	8-759-196-96	IC TC7SH08FU-TE85R		Q1702	8-729-230-49	TRANSISTOR 2SC2712-YG	
IC2010	6-701-834-01	IC PCM1802DBR		Q2122	8-729-027-43	TRANSISTOR DTC114EKA-T146	
IC2011	8-759-546-74	IC TC7WH157FU (TE12R)		Q2123	8-729-027-43	TRANSISTOR DTC114EKA-T146	
IC2012	6-704-013-01	IC DSD1800DBR		Q2601	8-729-027-43	TRANSISTOR DTC114EKA-T146	
IC2013	6-704-013-01	IC DSD1800DBR		Q2602	8-729-230-49	TRANSISTOR 2SC2712-YG	
IC2014	6-704-013-01	IC DSD1800DBR		Q2603	8-729-230-49	TRANSISTOR 2SC2712-YG	
IC2015	6-704-013-01	IC DSD1800DBR		Q2604	8-729-230-49	TRANSISTOR 2SC2712-YG	
IC2016	8-759-647-10	IC uPC2933HF (STR-DB2000: AEP, UK)		Q2605	8-729-230-49	TRANSISTOR 2SC2712-YG	
IC2121	8-759-825-15	IC LC89056W-E		Q2685	8-729-230-49	TRANSISTOR 2SC2712-YG	
IC2122	8-759-523-84	IC TC74VHC14FT (EL)		Q2802	8-729-027-43	TRANSISTOR DTC114EKA-T146	
IC2123	8-759-058-62	IC TC7S08FU (TE85R)		Q2803	6-550-363-01	TRANSISTOR 2SB1690KT146	
IC2124	8-759-058-60	IC TC7SU04FU (TE85R)		Q2804	6-550-363-01	TRANSISTOR 2SB1690KT146	
IC2201	6-702-047-01	IC CXD9718Q				< RESISTOR >	
IC2202	6-700-941-01	IC IDT71V016S15PHK-TL		R2000	1-216-171-00	RES-CHIP 75 5% 1/8W	
IC2203	8-759-196-96	IC TC7SH08FU-TE85R				(EXCEPT STR-DB2000: AEP, UK)	
IC2204	8-759-523-78	IC TC74VHC00FT (EL)		R2000	1-259-909-11	CARBON MELF 75 2% 1/8W	
IC2206	8-759-835-63	IC NJM2391DL1-26 (TE1)				(STR-DB2000: AEP, UK)	
IC2207	8-759-546-74	IC TC7WH157FU (TE12R)		R2001	1-216-295-00	SHORT CHIP 0	
IC2401	6-803-008-01	IC ISPLSI2032VE-110LTN44-MOD		R2002	1-216-296-11	SHORT CHIP 0	
IC2402	8-759-447-77	IC TC7WH74FU (TE12R)		R2003	1-216-262-00	RES-CHIP 470K 5% 1/8W	
IC2403	8-759-531-92	IC TC7WH04FU (TE12R)				(EXCEPT STR-DB2000: AEP, UK)	
IC2404	8-759-392-01	IC TC7SH86FU-TE85R		R2003	1-260-028-11	CARBON MELF 470K 2% 1/8W	
IC2426	6-803-008-01	IC ISPLSI2032VE-110LTN44-MOD				(STR-DB2000: AEP, UK)	
IC2427	8-759-392-01	IC TC7SH86FU-TE85R		R2004	1-216-190-00	RES-CHIP 470 5% 1/8W	
IC2428	8-759-491-46	IC TC74VHC04AFT (EL)				(EXCEPT STR-DB2000: AEP, UK)	
IC2429	8-759-523-95	IC TC74VHC74FT (EL)		R2004	1-259-991-11	CARBON MELF 470 2% 1/8W	
IC2430	8-759-447-77	IC TC7WH74FU (TE12R)				(STR-DB2000: AEP, UK)	
IC2431	8-759-546-74	IC TC7WH157FU (TE12R)		R2005	1-216-295-00	SHORT CHIP 0	
IC2499	8-759-082-59	IC TC7W32FU		R2006	1-216-295-00	SHORT CHIP 0	
IC2501	8-759-523-30	IC TC74AC541FT (EL)		R2007	1-216-295-00	SHORT CHIP 0	
IC2502	8-759-523-30	IC TC74AC541FT (EL)		R2008	1-216-238-91	RES-CHIP 47K 5% 1/8W	
IC2503	8-759-523-30	IC TC74AC541FT (EL)				(EXCEPT STR-DB2000: AEP, UK)	
IC2504	8-759-443-08	IC TC7W241FU-TE12R		R2008	1-260-016-11	CARBON MELF 47K 2% 1/8W	
IC2601	6-803-752-01	IC MB91F155A-3B9-X100				(STR-DB2000: AEP, UK)	
IC2603	8-759-641-86	IC BR24C16F-E2		R2015	1-216-073-00	RES-CHIP 10K 5% 1/10W	
IC2604	8-759-238-47	IC TC74HCT7007AF (EL)		R2016	1-216-025-11	RES-CHIP 100 5% 1/10W	
IC2625	6-702-913-01	IC S-80929GNMC-G8ZT2G		R2017	1-216-073-00	RES-CHIP 10K 5% 1/10W	
IC2735	8-759-470-63	IC NJM2145M-TE2 (STR-DA2000ES)		R2018	1-216-025-11	RES-CHIP 100 5% 1/10W	
IC2800	6-703-420-01	IC DSD1751DBQR		R2019	1-216-025-11	RES-CHIP 100 5% 1/10W	
IC2801	6-703-420-01	IC DSD1751DBQR (STR-DA2000ES)		R2020	1-216-025-11	RES-CHIP 100 5% 1/10W	
IC2861	8-759-636-55	IC M5218AFP		R2021	1-216-025-11	RES-CHIP 100 5% 1/10W	
IC2901	8-759-636-55	IC M5218AFP (STR-DA2000ES)		R2022	1-216-025-11	RES-CHIP 100 5% 1/10W	
		< JACK >		R2024	1-216-295-00	SHORT CHIP 0	
J2000	1-784-431-11	JACK, PIN 1P (COAXIAL DVD IN)		R2026	1-216-025-11	RES-CHIP 100 5% 1/10W	
J2732	1-563-330-11	JACK (CONTROL A1 II)		R2027	1-216-025-11	RES-CHIP 100 5% 1/10W	
J2733	1-563-330-11	JACK (CONTROL S IN) (STR-DA2000ES)		R2028	1-216-025-11	RES-CHIP 100 5% 1/10W	
J2734	1-563-330-11	JACK (CONTROL S OUT) (STR-DA2000ES)		R2030	1-216-073-00	RES-CHIP 10K 5% 1/10W	
		< SHORT >		R2031	1-216-025-11	RES-CHIP 100 5% 1/10W	
JR2011	1-216-295-00	SHORT CHIP 0		R2032	1-216-025-11	RES-CHIP 100 5% 1/10W	
JR2040	1-216-295-00	SHORT CHIP 0 (STR-DB2000)		R2033	1-216-025-11	RES-CHIP 100 5% 1/10W	
JR2041	1-216-295-00	SHORT CHIP 0 (STR-DB2000)		R2035	1-216-073-00	RES-CHIP 10K 5% 1/10W	
JR2702	1-216-295-00	SHORT CHIP 0		R2036	1-216-025-11	RES-CHIP 100 5% 1/10W	
JR2732	1-216-295-00	SHORT CHIP 0		R2037	1-216-025-11	RES-CHIP 100 5% 1/10W	
				R2038	1-216-025-11	RES-CHIP 100 5% 1/10W	
				R2040	1-216-073-00	RES-CHIP 10K 5% 1/10W	

# STR-DA2000ES/DB2000

## DIGITAL

Ref. No.	Part No.	Description		Remark	Ref. No.	Part No.	Description		Remark
R2041	1-216-025-11	RES-CHIP	100	5%	1/10W	R2224	1-216-073-00	RES-CHIP	10K 5% 1/10W
R2050	1-216-025-11	RES-CHIP	100	5%	1/10W	R2225	1-216-025-11	RES-CHIP	100 5% 1/10W
R2051	1-216-025-11	RES-CHIP	100	5%	1/10W	R2226	1-216-025-11	RES-CHIP	100 5% 1/10W
R2052	1-216-025-11	RES-CHIP	100	5%	1/10W	R2227	1-216-025-11	RES-CHIP	100 5% 1/10W
R2053	1-216-025-11	RES-CHIP	100	5%	1/10W	R2228	1-216-025-11	RES-CHIP	100 5% 1/10W
R2054	1-216-295-00	SHORT CHIP	0			R2229	1-216-025-11	RES-CHIP	100 5% 1/10W
R2055	1-216-295-00	SHORT CHIP	0			R2230	1-216-025-11	RES-CHIP	100 5% 1/10W
R2056	1-216-295-00	SHORT CHIP	0			R2231	1-216-025-11	RES-CHIP	100 5% 1/10W
R2057	1-216-295-00	SHORT CHIP	0		(STR-DB2000: AEP, UK)	R2232	1-216-025-11	RES-CHIP	100 5% 1/10W
R2058	1-216-295-00	SHORT CHIP	0		(STR-DB2000: AEP, UK)	R2233	1-216-025-11	RES-CHIP	100 5% 1/10W
R2059	1-216-295-00	SHORT CHIP	0		(STR-DB2000: AEP, UK)	R2234	1-216-025-11	RES-CHIP	100 5% 1/10W
R2121	1-216-121-11	RES-CHIP	1M	5%	1/10W	R2235	1-216-025-11	RES-CHIP	100 5% 1/10W
R2122	1-216-025-11	RES-CHIP	100	5%	1/10W	R2236	1-216-025-11	RES-CHIP	100 5% 1/10W
R2125	1-216-089-11	RES-CHIP	47K	5%	1/10W	R2237	1-216-025-11	RES-CHIP	100 5% 1/10W
R2128	1-216-069-00	RES-CHIP	6.8K	5%	1/10W	R2238	1-216-025-11	RES-CHIP	100 5% 1/10W
R2129	1-216-067-00	RES-CHIP	5.6K	5%	1/10W	R2239	1-216-025-11	RES-CHIP	100 5% 1/10W
R2130	1-216-073-00	RES-CHIP	10K	5%	1/10W	R2240	1-216-025-11	RES-CHIP	100 5% 1/10W
R2131	1-216-073-00	RES-CHIP	10K	5%	1/10W	R2241	1-216-025-11	RES-CHIP	100 5% 1/10W
R2132	1-216-025-11	RES-CHIP	100	5%	1/10W	R2242	1-216-025-11	RES-CHIP	100 5% 1/10W
R2133	1-216-025-11	RES-CHIP	100	5%	1/10W	R2243	1-216-025-11	RES-CHIP	100 5% 1/10W
R2134	1-216-049-11	RES-CHIP	1K	5%	1/10W	R2244	1-216-025-11	RES-CHIP	100 5% 1/10W
R2135	1-216-121-11	RES-CHIP	1M	5%	1/10W	R2245	1-216-025-11	RES-CHIP	100 5% 1/10W
R2136	1-216-025-11	RES-CHIP	100	5%	1/10W	R2246	1-216-025-11	RES-CHIP	100 5% 1/10W
R2137	1-216-025-11	RES-CHIP	100	5%	1/10W	R2247	1-216-025-11	RES-CHIP	100 5% 1/10W
R2138	1-216-025-11	RES-CHIP	100	5%	1/10W	R2248	1-216-073-00	RES-CHIP	10K 5% 1/10W
R2139	1-216-025-11	RES-CHIP	100	5%	1/10W	R2249	1-216-073-00	RES-CHIP	10K 5% 1/10W
R2140	1-216-065-00	RES-CHIP	4.7K	5%	1/10W	R2250	1-216-025-11	RES-CHIP	100 5% 1/10W
R2141	1-216-089-11	RES-CHIP	47K	5%	1/10W	R2304	1-216-025-11	RES-CHIP	100 5% 1/10W
R2142	1-216-304-11	RES-CHIP	3.3	5%	1/10W	R2307	1-216-025-11	RES-CHIP	100 5% 1/10W
R2143	1-216-033-00	RES-CHIP	220	5%	1/10W	R2309	1-216-025-11	RES-CHIP	100 5% 1/10W
R2144	1-216-097-11	RES-CHIP	100K	5%	1/10W	R2311	1-216-025-11	RES-CHIP	100 5% 1/10W
R2145	1-216-073-00	RES-CHIP	10K	5%	1/10W	R2312	1-216-025-11	RES-CHIP	100 5% 1/10W
R2146	1-216-025-11	RES-CHIP	100	5%	1/10W	R2313	1-216-025-11	RES-CHIP	100 5% 1/10W
R2148	1-216-025-11	RES-CHIP	100	5%	1/10W	R2314	1-216-025-11	RES-CHIP	100 5% 1/10W
R2149	1-216-073-00	RES-CHIP	10K	5%	1/10W	R2315	1-216-025-11	RES-CHIP	100 5% 1/10W
R2152	1-216-025-11	RES-CHIP	100	5%	1/10W	R2316	1-216-025-11	RES-CHIP	100 5% 1/10W
R2155	1-216-025-11	RES-CHIP	100	5%	1/10W	R2317	1-216-025-11	RES-CHIP	100 5% 1/10W
R2156	1-216-025-11	RES-CHIP	100	5%	1/10W	R2318	1-216-025-11	RES-CHIP	100 5% 1/10W
R2157	1-216-295-00	SHORT CHIP	0			R2319	1-216-025-11	RES-CHIP	100 5% 1/10W
R2158	1-216-025-11	RES-CHIP	100	5%	1/10W	R2320	1-216-025-11	RES-CHIP	100 5% 1/10W
R2201	1-216-025-11	RES-CHIP	100	5%	1/10W	R2321	1-216-025-11	RES-CHIP	100 5% 1/10W
R2202	1-216-073-00	RES-CHIP	10K	5%	1/10W	R2401	1-216-025-11	RES-CHIP	100 5% 1/10W
R2203	1-216-025-11	RES-CHIP	100	5%	1/10W	R2402	1-216-025-11	RES-CHIP	100 5% 1/10W
R2204	1-216-033-00	RES-CHIP	220	5%	1/10W	R2403	1-216-025-11	RES-CHIP	100 5% 1/10W
R2206	1-216-295-00	SHORT CHIP	0			R2404	1-216-295-00	SHORT CHIP	0
R2207	1-216-025-11	RES-CHIP	100	5%	1/10W	R2405	1-216-025-11	RES-CHIP	100 5% 1/10W
R2208	1-216-025-11	RES-CHIP	100	5%	1/10W	R2406	1-216-025-11	RES-CHIP	100 5% 1/10W
R2209	1-216-025-11	RES-CHIP	100	5%	1/10W	R2407	1-216-025-11	RES-CHIP	100 5% 1/10W
R2210	1-216-025-11	RES-CHIP	100	5%	1/10W	R2409	1-216-025-11	RES-CHIP	100 5% 1/10W
R2211	1-216-025-11	RES-CHIP	100	5%	1/10W	R2410	1-216-025-11	RES-CHIP	100 5% 1/10W
R2212	1-216-025-11	RES-CHIP	100	5%	1/10W	R2411	1-216-025-11	RES-CHIP	100 5% 1/10W
R2213	1-216-025-11	RES-CHIP	100	5%	1/10W	R2412	1-216-025-11	RES-CHIP	100 5% 1/10W
R2215	1-216-025-11	RES-CHIP	100	5%	1/10W	R2413	1-216-025-11	RES-CHIP	100 5% 1/10W
R2216	1-216-025-11	RES-CHIP	100	5%	1/10W	R2414	1-216-025-11	RES-CHIP	100 5% 1/10W
R2218	1-216-025-11	RES-CHIP	100	5%	1/10W	R2415	1-216-025-11	RES-CHIP	100 5% 1/10W
R2219	1-216-025-11	RES-CHIP	100	5%	1/10W	R2416	1-216-025-11	RES-CHIP	100 5% 1/10W
R2220	1-216-025-11	RES-CHIP	100	5%	1/10W	R2417	1-216-025-11	RES-CHIP	100 5% 1/10W
						R2418	1-216-073-00	RES-CHIP	10K 5% 1/10W

Ref. No.	Part No.	Description			Remark	Ref. No.	Part No.	Description			Remark
R2419	1-216-073-00	RES-CHIP	10K	5%	1/10W	R2607	1-216-025-11	RES-CHIP	100	5%	1/10W
R2420	1-216-073-00	RES-CHIP	10K	5%	1/10W	R2608	1-216-025-11	RES-CHIP	100	5%	1/10W
R2426	1-216-025-11	RES-CHIP	100	5%	1/10W	R2609	1-216-025-11	RES-CHIP	100	5%	1/10W
R2427	1-216-295-00	SHORT CHIP	0			R2610	1-216-025-11	RES-CHIP	100	5%	1/10W
R2428	1-216-025-11	RES-CHIP	100	5%	1/10W	R2611	1-216-025-11	RES-CHIP	100	5%	1/10W
R2429	1-216-025-11	RES-CHIP	100	5%	1/10W	R2612	1-216-025-11	RES-CHIP	100	5%	1/10W
R2430	1-216-073-00	RES-CHIP	10K	5%	1/10W	R2613	1-216-081-00	RES-CHIP	22K	5%	1/10W
R2431	1-216-073-00	RES-CHIP	10K	5%	1/10W	R2614	1-216-025-11	RES-CHIP	100	5%	1/10W
R2432	1-216-049-11	RES-CHIP	1K	5%	1/10W	R2615	1-216-025-11	RES-CHIP	100	5%	1/10W
R2433	1-216-025-11	RES-CHIP	100	5%	1/10W	R2616	1-216-025-11	RES-CHIP	100	5%	1/10W
R2434	1-216-025-11	RES-CHIP	100	5%	1/10W	R2617	1-216-025-11	RES-CHIP	100	5%	1/10W
R2435	1-216-025-11	RES-CHIP	100	5%	1/10W	R2618	1-216-025-11	RES-CHIP	100	5%	1/10W
R2436	1-216-025-11	RES-CHIP	100	5%	1/10W	R2619	1-216-025-11	RES-CHIP	100	5%	1/10W
R2437	1-216-025-11	RES-CHIP	100	5%	1/10W	R2620	1-216-025-11	RES-CHIP	100	5%	1/10W
R2438	1-216-025-11	RES-CHIP	100	5%	1/10W	R2621	1-216-025-11	RES-CHIP	100	5%	1/10W
R2439	1-216-049-11	RES-CHIP	1K	5%	1/10W	R2622	1-216-025-11	RES-CHIP	100	5%	1/10W
R2440	1-216-025-11	RES-CHIP	100	5%	1/10W	R2623	1-216-025-11	RES-CHIP	100	5%	1/10W
R2441	1-216-025-11	RES-CHIP	100	5%	1/10W	R2624	1-216-025-11	RES-CHIP	100	5%	1/10W
R2498	1-216-049-11	RES-CHIP	1K	5%	1/10W	R2625	1-216-049-11	RES-CHIP	1K	5%	1/10W
R2499	1-216-049-11	RES-CHIP	1K	5%	1/10W	R2626	1-216-097-11	RES-CHIP	100K	5%	1/10W
R2500	1-216-097-11	RES-CHIP	100K	5%	1/10W	R2627	1-216-073-00	RES-CHIP	10K	5%	1/10W
R2501	1-216-097-11	RES-CHIP	100K	5%	1/10W	R2628	1-216-025-11	RES-CHIP	100	5%	1/10W
R2502	1-216-073-00	RES-CHIP	10K	5%	1/10W	R2629	1-216-073-00	RES-CHIP	10K	5%	1/10W
R2503	1-216-017-00	RES-CHIP	47	5%	1/10W	R2630	1-216-073-00	RES-CHIP	10K	5%	1/10W
R2504	1-216-017-00	RES-CHIP	47	5%	1/10W	R2631	1-216-073-00	RES-CHIP	10K	5%	1/10W
R2505	1-216-025-11	RES-CHIP	100	5%	1/10W	R2632	1-216-073-00	RES-CHIP	10K	5%	1/10W
R2506	1-216-017-00	RES-CHIP	47	5%	1/10W	R2633	1-216-073-00	RES-CHIP	10K	5%	1/10W
R2507	1-216-017-00	RES-CHIP	47	5%	1/10W	R2634	1-216-025-11	RES-CHIP	100	5%	1/10W
R2508	1-216-017-00	RES-CHIP	47	5%	1/10W	R2635	1-216-025-11	RES-CHIP	100	5%	1/10W
R2509	1-216-017-00	RES-CHIP	47	5%	1/10W	R2636	1-216-073-00	RES-CHIP	10K	5%	1/10W
R2511	1-216-017-00	RES-CHIP	47	5%	1/10W	R2637	1-216-025-11	RES-CHIP	100	5%	1/10W
R2512	1-216-017-00	RES-CHIP	47	5%	1/10W	R2638	1-216-073-00	RES-CHIP	10K	5%	1/10W
R2513	1-216-017-00	RES-CHIP	47	5%	1/10W	R2639	1-216-073-00	RES-CHIP	10K	5%	1/10W
R2514	1-469-144-21	FERRITE, EMI (SMD) (2012)				R2640	1-216-073-00	RES-CHIP	10K	5%	1/10W
R2515	1-216-017-00	RES-CHIP	47	5%	1/10W	R2641	1-216-073-00	RES-CHIP	10K	5%	1/10W
R2516	1-216-017-00	RES-CHIP	47	5%	1/10W						(STR-DB2000: SP, MY)
R2517	1-216-017-00	RES-CHIP	47	5%	1/10W	R2641	1-216-295-00	SHORT CHIP	0		(STR-DB2000: AEP, UK)
R2518	1-216-017-00	RES-CHIP	47	5%	1/10W	R2642	1-216-025-11	RES-CHIP	100	5%	1/10W
R2519	1-216-017-00	RES-CHIP	47	5%	1/10W	R2643	1-216-073-00	RES-CHIP	10K	5%	1/10W
R2520	1-216-017-00	RES-CHIP	47	5%	1/10W	R2644	1-216-025-11	RES-CHIP	100	5%	1/10W
R2521	1-216-017-00	RES-CHIP	47	5%	1/10W	R2645	1-216-025-11	RES-CHIP	100	5%	1/10W
R2522	1-216-017-00	RES-CHIP	47	5%	1/10W	R2646	1-216-025-11	RES-CHIP	100	5%	1/10W
R2523	1-216-017-00	RES-CHIP	47	5%	1/10W	R2647	1-216-025-11	RES-CHIP	100	5%	1/10W
R2524	1-216-017-00	RES-CHIP	47	5%	1/10W	R2648	1-216-025-11	RES-CHIP	100	5%	1/10W
R2525	1-216-017-00	RES-CHIP	47	5%	1/10W	R2649	1-216-025-11	RES-CHIP	100	5%	1/10W
R2526	1-216-073-00	RES-CHIP	10K	5%	1/10W	R2650	1-216-025-11	RES-CHIP	100	5%	1/10W
R2527	1-216-073-00	RES-CHIP	10K	5%	1/10W	R2651	1-216-001-00	RES-CHIP	10	5%	1/10W
R2528	1-216-017-00	RES-CHIP	47	5%	1/10W	R2652	1-216-073-00	RES-CHIP	10K	5%	1/10W
R2529	1-216-017-00	RES-CHIP	47	5%	1/10W	R2653	1-216-025-11	RES-CHIP	100	5%	1/10W
R2598	1-216-073-00	RES-CHIP	10K	5%	1/10W	R2654	1-216-025-11	RES-CHIP	100	5%	1/10W
R2599	1-216-073-00	RES-CHIP	10K	5%	1/10W	R2655	1-216-025-11	RES-CHIP	100	5%	1/10W
R2600	1-216-073-00	RES-CHIP	10K	5%	1/10W	R2656	1-216-025-11	RES-CHIP	100	5%	1/10W
R2601	1-216-025-11	RES-CHIP	100	5%	1/10W	R2657	1-216-025-11	RES-CHIP	100	5%	1/10W
R2602	1-216-025-11	RES-CHIP	100	5%	1/10W	R2658	1-216-025-11	RES-CHIP	100	5%	1/10W
R2603	1-216-025-11	RES-CHIP	100	5%	1/10W	R2659	1-216-025-11	RES-CHIP	100	5%	1/10W
R2604	1-216-077-00	RES-CHIP	15K	5%	1/10W	R2660	1-216-025-11	RES-CHIP	100	5%	1/10W
R2605	1-216-025-11	RES-CHIP	100	5%	1/10W	R2661	1-216-025-11	RES-CHIP	100	5%	1/10W
						R2662	1-216-025-11	RES-CHIP	100	5%	1/10W

# STR-DA2000ES/DB2000

## DIGITAL

Ref. No.	Part No.	Description	Remark
R2663	1-216-025-11	RES-CHIP	100 5% 1/10W
R2664	1-216-025-11	RES-CHIP	100 5% 1/10W
R2665	1-216-025-11	RES-CHIP	100 5% 1/10W
R2666	1-216-025-11	RES-CHIP	100 5% 1/10W
R2667	1-216-025-11	RES-CHIP	100 5% 1/10W
R2668	1-216-025-11	RES-CHIP	100 5% 1/10W
R2669	1-216-025-11	RES-CHIP	100 5% 1/10W
R2670	1-216-025-11	RES-CHIP	100 5% 1/10W
R2671	1-216-025-11	RES-CHIP	100 5% 1/10W
R2672	1-216-025-11	RES-CHIP	100 5% 1/10W
R2673	1-216-025-11	RES-CHIP	100 5% 1/10W
R2674	1-216-025-11	RES-CHIP	100 5% 1/10W
R2675	1-216-025-11	RES-CHIP	100 5% 1/10W
R2676	1-216-025-11	RES-CHIP	100 5% 1/10W
R2677	1-216-025-11	RES-CHIP	100 5% 1/10W
R2678	1-216-025-11	RES-CHIP	100 5% 1/10W
R2679	1-216-025-11	RES-CHIP	100 5% 1/10W (STR-DA2000ES)
R2680	1-216-025-11	RES-CHIP	100 5% 1/10W
R2681	1-216-025-11	RES-CHIP	100 5% 1/10W
R2682	1-216-025-11	RES-CHIP	100 5% 1/10W
R2683	1-216-025-11	RES-CHIP	100 5% 1/10W
R2684	1-216-001-00	RES-CHIP	10 5% 1/10W
R2685	1-216-073-00	RES-CHIP	10K 5% 1/10W
R2686	1-216-065-00	RES-CHIP	4.7K 5% 1/10W
R2687	1-216-073-00	RES-CHIP	10K 5% 1/10W
R2688	1-216-061-00	RES-CHIP	3.3K 5% 1/10W
R2689	1-216-073-00	RES-CHIP	10K 5% 1/10W
R2690	1-216-689-11	RES-CHIP	39K 5% 1/10W
R2691	1-216-689-11	RES-CHIP	39K 5% 1/10W
R2692	1-216-073-00	RES-CHIP	10K 5% 1/10W
R2693	1-216-073-00	RES-CHIP	10K 5% 1/10W
R2694	1-216-073-00	RES-CHIP	10K 5% 1/10W
R2695	1-216-073-00	RES-CHIP	10K 5% 1/10W
R2696	1-216-073-00	RES-CHIP	10K 5% 1/10W
R2697	1-216-073-00	RES-CHIP	10K 5% 1/10W
R2698	1-216-025-11	RES-CHIP	100 5% 1/10W
R2699	1-216-073-00	RES-CHIP	10K 5% 1/10W
R2700	1-216-073-00	RES-CHIP	10K 5% 1/10W
R2701	1-216-073-00	RES-CHIP	10K 5% 1/10W
R2702	1-216-073-00	RES-CHIP	10K 5% 1/10W
R2703	1-216-073-00	RES-CHIP	10K 5% 1/10W
R2704	1-216-025-11	RES-CHIP	100 5% 1/10W
R2705	1-216-025-11	RES-CHIP	100 5% 1/10W
R2706	1-216-025-11	RES-CHIP	100 5% 1/10W
R2707	1-216-025-11	RES-CHIP	100 5% 1/10W
R2708	1-216-025-11	RES-CHIP	100 5% 1/10W
R2709	1-216-025-11	RES-CHIP	100 5% 1/10W
R2710	1-216-025-11	RES-CHIP	100 5% 1/10W (STR-DA2000ES)
R2711	1-216-061-00	RES-CHIP	3.3K 5% 1/10W
R2712	1-216-025-11	RES-CHIP	100 5% 1/10W
R2713	1-216-073-00	RES-CHIP	10K 5% 1/10W
R2714	1-216-073-00	RES-CHIP	10K 5% 1/10W
R2715	1-216-073-00	RES-CHIP	10K 5% 1/10W
R2716	1-216-025-11	RES-CHIP	100 5% 1/10W
R2717	1-216-025-11	RES-CHIP	100 5% 1/10W
R2718	1-216-025-11	RES-CHIP	100 5% 1/10W

Ref. No.	Part No.	Description	Remark
R2719	1-216-025-11	RES-CHIP	100 5% 1/10W
R2720	1-216-073-00	RES-CHIP	10K 5% 1/10W
R2721	1-216-295-00	SHORT CHIP	0 (STR-DB2000)
R2731	1-216-073-00	RES-CHIP	10K 5% 1/10W
R2733	1-216-049-11	RES-CHIP	1K 5% 1/10W (STR-DA2000ES)
R2734	1-216-049-11	RES-CHIP	1K 5% 1/10W (STR-DA2000ES)
R2736	1-216-073-00	RES-CHIP	10K 5% 1/10W (STR-DA2000ES)
R2737	1-216-073-00	RES-CHIP	10K 5% 1/10W (STR-DA2000ES)
R2738	1-216-073-00	RES-CHIP	10K 5% 1/10W (STR-DA2000ES)
R2739	1-216-073-00	RES-CHIP	10K 5% 1/10W
R2740	1-216-037-00	RES-CHIP	330 5% 1/10W
R2741	1-216-073-00	RES-CHIP	10K 5% 1/10W
R2742	1-216-037-00	RES-CHIP	330 5% 1/10W
R2743	1-216-001-00	RES-CHIP	10 5% 1/10W
R2744	1-216-025-11	RES-CHIP	100 5% 1/10W
R2745	1-216-073-00	RES-CHIP	10K 5% 1/10W
R2801	1-216-025-11	RES-CHIP	100 5% 1/10W
R2802	1-216-025-11	RES-CHIP	100 5% 1/10W
R2803	1-216-025-11	RES-CHIP	100 5% 1/10W
R2804	1-216-025-11	RES-CHIP	100 5% 1/10W
R2806	1-216-025-11	RES-CHIP	100 5% 1/10W
R2807	1-216-025-11	RES-CHIP	100 5% 1/10W
R2808	1-216-073-00	RES-CHIP	10K 5% 1/10W
R2809	1-216-049-11	RES-CHIP	1K 5% 1/10W
R2811	1-216-073-00	RES-CHIP	10K 5% 1/10W
R2812	1-216-049-11	RES-CHIP	1K 5% 1/10W
R2860	1-216-246-00	RES-CHIP	100K 5% 1/8W (EXCEPT STR-DB2000: AEP, UK)
R2860	1-260-020-11	CARBON MELF	100K 2% 1/8W (STR-DB2000: AEP, UK)
R2861	1-216-208-00	RES-CHIP	2.7K 5% 1/8W (EXCEPT STR-DB2000: AEP, UK)
R2861	1-260-001-11	CARBON MELF	2.7K 2% 1/8W (STR-DB2000: AEP, UK)
R2862	1-216-218-91	RES-CHIP	6.8K 5% 1/8W (EXCEPT STR-DB2000: AEP, UK)
R2862	1-249-427-11	CARBON	6.8K 5% 1/4W (STR-DB2000: AEP, UK)
R2864	1-216-226-00	RES-CHIP	15K 5% 1/8W (EXCEPT STR-DB2000: AEP, UK)
R2864	1-260-010-11	CARBON MELF	15K 2% 1/8W (STR-DB2000: AEP, UK)
R2865	1-216-222-00	RES-CHIP	10K 5% 1/8W (EXCEPT STR-DB2000: AEP, UK)
R2865	1-260-008-11	CARBON MELF	10K 2% 1/8W (STR-DB2000: AEP, UK)
R2866	1-216-222-00	RES-CHIP	10K 5% 1/8W (EXCEPT STR-DB2000: AEP, UK)
R2866	1-260-008-11	CARBON MELF	10K 2% 1/8W (STR-DB2000: AEP, UK)
R2900	1-216-246-00	RES-CHIP	100K 5% 1/8W (STR-DA2000ES)
R2901	1-216-208-00	RES-CHIP	2.7K 5% 1/8W (STR-DA2000ES)
R2902	1-216-218-91	RES-CHIP	6.8K 5% 1/8W (STR-DA2000ES)

DIGITAL

DISPLAY

Ref. No.	Part No.	Description	Remark
R2904	1-216-226-00	RES-CHIP 15K	5% 1/8W (STR-DA2000ES)
R2905	1-216-222-00	RES-CHIP 10K	5% 1/8W (STR-DA2000ES)
R2906	1-216-222-00	RES-CHIP 10K	5% 1/8W (STR-DA2000ES)
R2920	1-216-246-00	RES-CHIP 100K	5% 1/8W (STR-DA2000ES)
R2921	1-216-208-00	RES-CHIP 2.7K	5% 1/8W (STR-DA2000ES)
R2922	1-216-218-91	RES-CHIP 6.8K	5% 1/8W (STR-DA2000ES)
R2924	1-216-226-00	RES-CHIP 15K	5% 1/8W (STR-DA2000ES)
R2925	1-216-222-00	RES-CHIP 10K	5% 1/8W (STR-DA2000ES)
R2926	1-216-222-00	RES-CHIP 10K	5% 1/8W (STR-DA2000ES)
< VIBRATOR >			
X1101	1-781-465-21	VIBRATOR, CRYSTAL (12.288MHz)	
X2201	1-781-527-21	VIBRATOR, CRYSTAL (13.5MHz)	
X2601	1-795-179-21	VIBRATOR, CERAMIC (16.5MHz)	
*****			
A-4733-935-A	DISPLAY BOARD, COMPLETE *****		
* 4-246-462-01	HOLDER (FL)		
* 4-921-941-01	CUSHION (FL)		
< CAPACITOR >			
C01	1-128-809-11	CERAMIC CHIP 100P	5% 50V
C1001	1-163-251-11	CERAMIC CHIP 100PF	5% 50V
C1002	1-163-251-11	CERAMIC CHIP 100PF	5% 50V
C1003	1-163-251-11	CERAMIC CHIP 100PF	5% 50V
C1004	1-163-251-11	CERAMIC CHIP 100PF	5% 50V
C1006	1-163-251-11	CERAMIC CHIP 100PF	5% 50V
C1007	1-165-319-11	CERAMIC CHIP 0.1uF	50V
C1008	1-126-786-11	ELECT 47uF	20% 16V
C1009	1-165-319-11	CERAMIC CHIP 0.1uF	50V
C1010	1-126-796-11	ELECT 22uF	20% 50V
C1031	1-165-319-11	CERAMIC CHIP 0.1uF	50V
C1051	1-126-786-11	ELECT 47uF	20% 16V
C1071	1-124-596-11	ELECT 27uF	20% 16V
C1072	1-137-462-11	MYLAR 0.018uF	5% 100V
C1073	1-165-319-11	CERAMIC CHIP 0.1uF	50V
C1074	1-126-321-91	ELECT 12uF	20% 35V
C1075	1-126-321-91	ELECT 12uF	20% 35V
C1076	1-126-321-91	ELECT 12uF	20% 35V
C1077	1-165-319-11	CERAMIC CHIP 0.1uF	50V
< CONNECTOR >			
CN1001	1-568-844-11	CONNECTOR, FFC 29P	
< DIODE >			
D1031	8-719-084-07	LED SEL5E20CTP15	(MULTI CHANNEL DECODING)
D1071	8-719-041-97	DIODE MA113- (TX)	
D1072	8-719-041-97	DIODE MA113- (TX)	

Ref. No.	Part No.	Description	Remark
D1073	8-719-041-97	DIODE MA113- (TX)	
D1074	8-719-041-97	DIODE MA113- (TX)	
D1075	8-719-056-84	DIODE Udz-TE-17-7.5B	
< FILTER >			
FL1001	1-518-870-11	INDICATOR TUBE, FLUORESCENT	
< IC >			
IC1001	6-704-198-01	IC M66003-0121FP	
IC1051	8-759-826-34	IC NJL74H400A	
< COIL >			
L1071	1-456-516-11	INDUCTOR 47uH	
< TRANSISTOR >			
Q1031	8-729-216-22	TRANSISTOR 2SA1162-G	
Q1032	8-729-230-49	TRANSISTOR 2SC2712-YG	
Q1033	8-729-900-53	TRANSISTOR DTC114EK	
Q1071	8-729-808-42	TRANSISTOR 2SD1624-T	
Q1072	8-729-808-42	TRANSISTOR 2SD1624-T	
< RESISTOR >			
R01	1-216-855-11	CARBON 10K	5% 1/4W
R1001	1-216-025-11	RES-CHIP 100	5% 1/10W
R1002	1-216-025-11	RES-CHIP 100	5% 1/10W
R1003	1-216-025-11	RES-CHIP 100	5% 1/10W
R1004	1-216-025-11	RES-CHIP 100	5% 1/10W
R1005	1-216-089-11	RES-CHIP 47K	5% 1/10W
R1006	1-216-077-00	RES-CHIP 15K	5% 1/10W
△ R1011	1-249-381-11	CARBON 1	5% 1/4W F
△ R1012	1-249-381-11	CARBON 1	5% 1/4W F
R1031	1-216-033-00	RES-CHIP 220	5% 1/10W
R1032	1-216-073-00	RES-CHIP 10K	5% 1/10W
R1033	1-216-019-00	RES-CHIP 56	5% 1/10W
R1034	1-216-073-00	RES-CHIP 10K	5% 1/10W
R1035	1-216-073-00	RES-CHIP 10K	5% 1/10W
R1042	1-216-049-11	RES-CHIP 1K	5% 1/10W
R1043	1-216-057-00	RES-CHIP 2.2K	5% 1/10W
R1044	1-216-057-00	RES-CHIP 2.2K	5% 1/10W
R1045	1-216-065-00	RES-CHIP 4.7K	5% 1/10W
R1046	1-216-073-00	RES-CHIP 10K	5% 1/10W
R1047	1-216-081-00	RES-CHIP 22K	5% 1/10W
R1052	1-216-049-11	RES-CHIP 1K	5% 1/10W
R1053	1-216-057-00	RES-CHIP 2.2K	5% 1/10W
R1054	1-216-057-00	RES-CHIP 2.2K	5% 1/10W
R1055	1-216-065-00	RES-CHIP 4.7K	5% 1/10W
R1056	1-216-073-00	RES-CHIP 10K	5% 1/10W
R1057	1-216-081-00	RES-CHIP 22K	5% 1/10W
R1058	1-216-001-00	RES-CHIP 10	5% 1/10W
R1059	1-216-025-11	RES-CHIP 100	5% 1/10W
R1071	1-216-065-00	RES-CHIP 4.7K	5% 1/10W
R1073	1-216-081-00	RES-CHIP 22K	5% 1/10W
R1074	1-216-295-00	SHORT CHIP 0	
R1075	1-216-025-11	RES-CHIP 100	5% 1/10W
R1076	1-216-025-11	RES-CHIP 100	5% 1/10W

The components identified by mark △ or dotted line with mark △ are critical for safety. Replace only with part number specified.	Les composants identifiés par une marque △ sont critiques pour la sécurité. Ne les remplacer que par une pièce portant le numéro spécifié.
--	--

# STR-DA2000ES/DB2000

<b>DISPLAY</b>	<b>FUNCTION</b>	<b>HP-V3</b>	<b>MULTI-VIDEO</b>
----------------	-----------------	--------------	--------------------

Ref. No.	Part No.	Description	Remark
< VARIABLE RESISTOR >			
RV1051	1-467-808-21	ENCODER, ROTARY (MENU)	
RV1052	1-467-808-21	ENCODER, ROTARY (-/+)	
< SWITCH >			
S1041	1-762-875-21	SWITCH, KEYBOARD (INPUT MODE)	
S1042	1-762-875-21	SWITCH, KEYBOARD (DISPLAY)	
S1043	1-762-875-21	SWITCH, KEYBOARD (MUSIC)	
S1044	1-762-875-21	SWITCH, KEYBOARD (MOVIE)	
S1045	1-762-875-21	SWITCH, KEYBOARD (A.F.D)	
S1046	1-762-875-21	SWITCH, KEYBOARD (2CH)	
S1047	1-762-875-21	SWITCH, KEYBOARD (SURR BACK DECODING)	
S1050	1-762-875-21	SWITCH, KEYBOARD (I/⏪)	
S1051	1-762-875-21	SWITCH, KEYBOARD (TUNING +)	
S1052	1-762-875-21	SWITCH, KEYBOARD (TUNING -)	
S1053	1-762-875-21	SWITCH, KEYBOARD (PRESET TUNING +)	
S1054	1-762-875-21	SWITCH, KEYBOARD (PRESET TUNING -)	
S1056	1-762-875-21	SWITCH, KEYBOARD (MEMORY ENTER)	
S1057	1-762-875-21	SWITCH, KEYBOARD (MAIN MENU)	
S1065	1-762-875-21	SWITCH, KEYBOARD (SPEAKERS (OFF/A/B/A+B))	
< TRANSFORMER >			
T1071	1-439-814-11	TRANSFORMER, DC-DC CONVERTER	
*****			
	1-688-600-11	FUNCTION BOARD	
*****			
< VARIABLE RESISTOR >			
RV1061	1-467-808-21	ENCODER, ROTARY (INPUT SELECTOR)	
*****			
	A-4733-939-A	HP-V3 BOARD, COMPLETE (STR-DA2000ES)	
	A-4734-033-A	HP-V3 BOARD, COMPLETE (STR-DB2000)	
*****			
< CAPACITOR/SHORT >			
C1081	1-165-319-11	CERAMIC CHIP 0.1uF	50V
C1086	1-164-161-11	CERAMIC CHIP 0.0022uF 10%	50V
C1087	1-164-161-11	CERAMIC CHIP 0.0022uF 10%	50V
C1088	1-165-319-11	CERAMIC CHIP 0.1uF	50V
C1089	1-165-319-11	CERAMIC CHIP 0.1uF	50V
C1091	1-163-009-11	CERAMIC CHIP 0.001uF 10%	50V
C1092	1-163-009-11	CERAMIC CHIP 0.001uF 10%	50V
C1096	1-216-295-00	SHORT CHIP 0	
< CONNECTOR >			
CN1081	1-784-922-11	PIN, CONNECTOR 5P	
CN1091	1-784-926-11	PIN, CONNECTOR 11P	
< EARTH TERMINAL >			
* EP1086	1-537-738-21	TERMINAL, EARTH	
* EP1091	1-537-738-21	TERMINAL, EARTH	

Ref. No.	Part No.	Description	Remark
< IC >			
IC1081	6-600-219-01	IC GP1FM313RZ0F (VIDEO 3 INPUT DIGITAL OPTICAL)	
< JACK >			
J1086	1-815-313-11	JACK (PHONES)	
J1091	1-770-571-11	JACK BLOCK, PIN (L TYPE) 3P (VIDEO 3 INPUT S-VIDEO)	
J1092	1-784-808-11	TERMINAL, S (VIDEO 3 INPUT VIDEO, VIDEO 3 INPUT AUDIO)	
< SHORT >			
JR1088	1-216-295-00	SHORT CHIP 0	(STR-DA2000ES)
JR1089	1-216-295-00	SHORT CHIP 0	(STR-DB2000)
< RESISTOR >			
R1081	1-216-025-11	RES-CHIP 100	5% 1/10W
R1092	1-216-049-11	RES-CHIP 1K	5% 1/10W
R1093	1-216-049-11	RES-CHIP 1K	5% 1/10W
R1095	1-216-022-00	RES-CHIP 75	5% 1/10W
R1096	1-216-022-00	RES-CHIP 75	5% 1/10W
R1099	1-216-295-00	SHORT CHIP 0	
*****			
	A-4733-932-A	MULTI-VIDEO BOARD, COMPLETE (STR-DA2000ES)	
	A-4734-048-A	MULTI-VIDEO BOARD, COMPLETE (STR-DB2000: SP, MY)	
	A-4734-061-A	MULTI-VIDEO BOARD, COMPLETE (STR-DB2000: AEP, UK)	
*****			
< CAPACITOR/SHORT >			
C111	1-137-431-11	MYLAR 560PF	5% 50V
C112	1-126-965-91	ELECT 22uF	20% 50V (STR-DA2000ES)
C112	1-128-858-11	ELECT 22uF	20% 50V (STR-DB2000: SP, MY)
C112	1-135-744-91	ELECT 22uF	50V (STR-DB2000: AEP, UK)
C113	1-126-965-91	ELECT 22uF	20% 50V (STR-DA2000ES)
C113	1-128-858-11	ELECT 22uF	20% 50V (STR-DB2000: SP, MY)
C113	1-135-744-91	ELECT 22uF	50V (STR-DB2000: AEP, UK)
C116	1-165-319-11	CERAMIC CHIP 0.1uF	50V
C117	1-165-319-11	CERAMIC CHIP 0.1uF	50V
C121	1-126-965-91	ELECT 22uF	20% 50V (STR-DA2000ES)
C121	1-128-858-11	ELECT 22uF	20% 50V (STR-DB2000: SP, MY)
C121	1-135-744-91	ELECT 22uF	50V (STR-DB2000: AEP, UK)
C122	1-126-965-91	ELECT 22uF	20% 50V (STR-DA2000ES)
C122	1-128-858-11	ELECT 22uF	20% 50V (STR-DB2000: SP, MY)
C122	1-135-744-91	ELECT 22uF	50V (STR-DB2000: AEP, UK)



## MULTI-VIDEO

Ref. No.	Part No.	Description	Remark	Ref. No.	Part No.	Description	Remark
C126	1-126-965-91	ELECT	22uF 20% 50V (STR-DA2000ES)	C186	1-165-319-11	CERAMIC CHIP	0.1uF 50V
C126	1-128-858-11	ELECT	22uF 20% 50V (STR-DB2000: SP, MY)	C187	1-165-319-11	CERAMIC CHIP	0.1uF 50V
C126	1-135-744-91	ELECT	22uF 50V (STR-DB2000: AEP, UK)	C211	1-137-431-11	MYLAR	560PF 5% 50V
C127	1-126-965-91	ELECT	22uF 20% 50V (STR-DA2000ES)	C212	1-126-965-91	ELECT	22uF 20% 50V (STR-DA2000ES)
C127	1-128-858-11	ELECT	22uF 20% 50V (STR-DB2000: SP, MY)	C212	1-128-858-11	ELECT	22uF 20% 50V (STR-DB2000: SP, MY)
C127	1-135-744-91	ELECT	22uF 50V (STR-DB2000: AEP, UK)	C212	1-135-744-91	ELECT	22uF 50V (STR-DB2000: AEP, UK)
C128	1-126-965-91	ELECT	22uF 20% 50V (STR-DA2000ES)	C213	1-126-965-91	ELECT	22uF 20% 50V (STR-DA2000ES)
C128	1-128-858-11	ELECT	22uF 20% 50V (STR-DB2000: SP, MY)	C213	1-128-858-11	ELECT	22uF 20% 50V (STR-DB2000: SP, MY)
C128	1-135-744-91	ELECT	22uF 50V (STR-DB2000: AEP, UK)	C213	1-135-744-91	ELECT	22uF 50V (STR-DB2000: AEP, UK)
C129	1-163-251-11	CERAMIC CHIP	100PF 5% 50V	C216	1-165-319-11	CERAMIC CHIP	0.1uF 50V
C141	1-137-431-11	MYLAR	560PF 5% 50V	C217	1-165-319-11	CERAMIC CHIP	0.1uF 50V
C142	1-126-965-91	ELECT	22uF 20% 50V (STR-DA2000ES)	C221	1-126-965-91	ELECT	22uF 20% 50V (STR-DA2000ES)
C142	1-128-858-11	ELECT	22uF 20% 50V (STR-DB2000: SP, MY)	C221	1-128-858-11	ELECT	22uF 20% 50V (STR-DB2000: SP, MY)
C142	1-135-744-91	ELECT	22uF 50V (STR-DB2000: AEP, UK)	C221	1-135-744-91	ELECT	22uF 50V (STR-DB2000: AEP, UK)
C143	1-126-965-91	ELECT	22uF 20% 50V (STR-DA2000ES)	C222	1-126-965-91	ELECT	22uF 20% 50V (STR-DA2000ES)
C143	1-128-858-11	ELECT	22uF 20% 50V (STR-DB2000: SP, MY)	C222	1-128-858-11	ELECT	22uF 20% 50V (STR-DB2000: SP, MY)
C143	1-135-744-91	ELECT	22uF 50V (STR-DB2000: AEP, UK)	C222	1-135-744-91	ELECT	22uF 50V (STR-DB2000: AEP, UK)
C146	1-165-319-11	CERAMIC CHIP	0.1uF 50V	C226	1-126-965-91	ELECT	22uF 20% 50V (STR-DA2000ES)
C147	1-165-319-11	CERAMIC CHIP	0.1uF 50V	C226	1-128-858-11	ELECT	22uF 20% 50V (STR-DB2000: SP, MY)
C161	1-137-431-11	MYLAR	560PF 5% 50V	C226	1-135-744-91	ELECT	22uF 50V (STR-DB2000: AEP, UK)
C162	1-126-965-91	ELECT	22uF 20% 50V (STR-DA2000ES)	C227	1-126-965-91	ELECT	22uF 20% 50V (STR-DA2000ES)
C162	1-128-858-11	ELECT	22uF 20% 50V (STR-DB2000: SP, MY)	C227	1-128-858-11	ELECT	22uF 20% 50V (STR-DB2000: SP, MY)
C162	1-135-744-91	ELECT	22uF 50V (STR-DB2000: AEP, UK)	C227	1-135-744-91	ELECT	22uF 50V (STR-DB2000: AEP, UK)
C163	1-126-965-91	ELECT	22uF 20% 50V (STR-DA2000ES)	C228	1-126-965-91	ELECT	22uF 20% 50V (STR-DA2000ES)
C163	1-128-858-11	ELECT	22uF 20% 50V (STR-DB2000: SP, MY)	C228	1-128-858-11	ELECT	22uF 20% 50V (STR-DB2000: SP, MY)
C163	1-135-744-91	ELECT	22uF 50V (STR-DB2000: AEP, UK)	C228	1-135-744-91	ELECT	22uF 50V (STR-DB2000: AEP, UK)
C166	1-165-319-11	CERAMIC CHIP	0.1uF 50V	C229	1-163-251-11	CERAMIC CHIP	100PF 5% 50V
C167	1-165-319-11	CERAMIC CHIP	0.1uF 50V	C241	1-137-431-11	MYLAR	560PF 5% 50V
C181	1-137-431-11	MYLAR	560PF 5% 50V	C242	1-126-965-91	ELECT	22uF 20% 50V (STR-DA2000ES)
C182	1-126-965-91	ELECT	22uF 20% 50V (STR-DA2000ES)	C242	1-128-858-11	ELECT	22uF 20% 50V (STR-DB2000: SP, MY)
C182	1-128-858-11	ELECT	22uF 20% 50V (STR-DB2000: SP, MY)	C242	1-135-744-91	ELECT	22uF 50V (STR-DB2000: AEP, UK)
C182	1-135-744-91	ELECT	22uF 50V (STR-DB2000: AEP, UK)	C243	1-126-965-91	ELECT	22uF 20% 50V (STR-DA2000ES)
C183	1-126-965-91	ELECT	22uF 20% 50V (STR-DA2000ES)	C243	1-128-858-11	ELECT	22uF 20% 50V (STR-DB2000: SP, MY)
C183	1-128-858-11	ELECT	22uF 20% 50V (STR-DB2000: SP, MY)	C243	1-135-744-91	ELECT	22uF 50V (STR-DB2000: AEP, UK)
C183	1-135-744-91	ELECT	22uF 50V (STR-DB2000: AEP, UK)	C246	1-165-319-11	CERAMIC CHIP	0.1uF 50V

## STR-DA2000ES/DB2000

## MULTI-VIDEO

Ref. No.	Part No.	Description	Remark		Ref. No.	Part No.	Description	Remark	
C247	1-165-319-11	CERAMIC CHIP	0.1uF	50V	C1224	1-126-964-11	ELECT	10uF	20% 50V
C261	1-137-431-11	MYLAR	560PF	5% 50V	C1226	1-126-964-11	ELECT	10uF	20% 50V
C262	1-126-965-91	ELECT	22uF	20% 50V	C1228	1-126-964-11	ELECT	10uF	20% 50V
C262	1-128-858-11	ELECT	22uF	20% 50V (STR-DA2000ES)	C1241	1-126-964-11	ELECT	10uF	20% 50V
C262	1-135-744-91	ELECT	22uF	50V (STR-DB2000: SP, MY)	C1242	1-126-964-11	ELECT	10uF	20% 50V
C263	1-126-965-91	ELECT	22uF	20% 50V (STR-DA2000ES)	C1243	1-126-964-11	ELECT	10uF	20% 50V
C263	1-128-858-11	ELECT	22uF	20% 50V (STR-DB2000: SP, MY)	C1244	1-126-964-11	ELECT	10uF	20% 50V
C263	1-135-744-91	ELECT	22uF	50V (STR-DB2000: AEP, UK)	C1245	1-165-319-11	CERAMIC CHIP	0.1uF	50V
C266	1-165-319-11	CERAMIC CHIP	0.1uF	50V	C1246	1-165-319-11	CERAMIC CHIP	0.1uF	50V
C267	1-165-319-11	CERAMIC CHIP	0.1uF	50V	C1247	1-163-239-11	CERAMIC CHIP	33PF	5% 50V
C281	1-137-431-11	MYLAR	560PF	5% 50V (STR-DA2000ES)	C1248	1-163-227-11	CERAMIC CHIP	10PF	0.5PF 50V
C282	1-126-965-91	ELECT	22uF	20% 50V (STR-DA2000ES)	C1249	1-165-319-11	CERAMIC CHIP	0.1uF	50V
C283	1-126-965-91	ELECT	22uF	20% 50V (STR-DA2000ES)	C1250	1-126-947-11	ELECT	47uF	20% 35V
C286	1-165-319-11	CERAMIC CHIP	0.1uF	50V (STR-DA2000ES)	C1251	1-165-319-11	CERAMIC CHIP	0.1uF	50V
C287	1-165-319-11	CERAMIC CHIP	0.1uF	50V (STR-DA2000ES)	C1252	1-163-251-11	CERAMIC CHIP	100PF	5% 50V
C326	1-163-251-11	CERAMIC CHIP	100PF	5% 50V	C1253	1-126-964-11	ELECT	10uF	20% 50V
C327	1-163-021-11	CERAMIC CHIP	0.01uF	10% 50V	C1254	1-126-964-11	ELECT	10uF	20% 50V
C328	1-164-161-11	CERAMIC CHIP	0.0022uF	10% 50V	C1255	1-165-319-11	CERAMIC CHIP	0.1uF	50V
C329	1-164-161-11	CERAMIC CHIP	0.0022uF	10% 50V	C1257	1-126-916-11	ELECT	1000uF	20% 6.3V
C341	1-163-251-11	CERAMIC CHIP	100PF	5% 50V	C1258	1-126-916-11	ELECT	1000uF	20% 6.3V
C342	1-163-021-11	CERAMIC CHIP	0.01uF	10% 50V	C1259	1-126-960-11	ELECT	1uF	20% 50V
C343	1-164-161-11	CERAMIC CHIP	0.0022uF	10% 50V	C1260	1-165-319-11	CERAMIC CHIP	0.1uF	50V
C344	1-164-161-11	CERAMIC CHIP	0.0022uF	10% 50V	C1261	1-163-235-11	CERAMIC CHIP	22PF	5% 50V (STR-DA2000ES)
C401	1-163-251-11	CERAMIC CHIP	100PF	5% 50V (STR-DB2000)	C1262	1-163-091-00	CERAMIC CHIP	8PF	0.25PF 50V (STR-DA2000ES)
C405	1-163-251-11	CERAMIC CHIP	100PF	5% 50V (STR-DB2000)	C1271	1-163-235-11	CERAMIC CHIP	22PF	5% 50V (STR-DB2000)
C501	1-163-251-11	CERAMIC CHIP	100PF	5% 50V (STR-DB2000)	C1272	1-163-091-00	CERAMIC CHIP	8PF	0.25PF 50V (STR-DB2000)
C505	1-163-251-11	CERAMIC CHIP	100PF	5% 50V (STR-DB2000)	C1273	1-163-091-00	CERAMIC CHIP	8PF	0.25PF 50V (STR-DB2000)
C601	1-216-295-00	SHORT CHIP	0		C1274	1-163-235-11	CERAMIC CHIP	22PF	5% 50V (STR-DB2000)
C602	1-216-295-00	SHORT CHIP	0		C1275	1-165-319-11	CERAMIC CHIP	0.1uF	50V (STR-DB2000)
C603	1-216-295-00	SHORT CHIP	0		C1276	1-126-947-11	ELECT	47uF	20% 35V (STR-DB2000)
C604	1-216-295-00	SHORT CHIP	0		C1277	1-165-319-11	CERAMIC CHIP	0.1uF	50V (STR-DB2000)
C1201	1-216-295-00	SHORT CHIP	0		C1278	1-163-021-11	CERAMIC CHIP	0.01uF	10% 50V
C1202	1-216-295-00	SHORT CHIP	0		C1281	1-126-960-11	ELECT	1uF	20% 50V (STR-DB2000)
C1203	1-216-295-00	SHORT CHIP	0		C1282	1-126-960-11	ELECT	1uF	20% 50V (STR-DB2000)
C1204	1-165-319-11	CERAMIC CHIP	0.1uF	50V	C1283	1-126-916-11	ELECT	1000uF	20% 6.3V (STR-DB2000)
C1205	1-165-319-11	CERAMIC CHIP	0.1uF	50V	C1284	1-126-916-11	ELECT	1000uF	20% 6.3V (STR-DB2000)
C1211	1-163-243-11	CERAMIC CHIP	47PF	5% 50V	C1285	1-165-319-11	CERAMIC CHIP	0.1uF	50V (STR-DB2000)
C1212	1-163-243-11	CERAMIC CHIP	47PF	5% 50V	C1286	1-165-319-11	CERAMIC CHIP	0.1uF	50V (STR-DB2000)
C1213	1-163-243-11	CERAMIC CHIP	47PF	5% 50V	C1291	1-165-319-11	CERAMIC CHIP	0.1uF	50V (STR-DA2000ES)
C1214	1-163-243-11	CERAMIC CHIP	47PF	5% 50V	C1292	1-165-319-11	CERAMIC CHIP	0.1uF	50V (STR-DA2000ES)
C1215	1-163-243-11	CERAMIC CHIP	47PF	5% 50V	C1293	1-126-964-11	ELECT	10uF	20% 50V (STR-DA2000ES)
C1216	1-163-243-11	CERAMIC CHIP	47PF	5% 50V	C1294	1-126-964-11	ELECT	10uF	20% 50V (STR-DA2000ES)
C1217	1-163-243-11	CERAMIC CHIP	47PF	5% 50V					
C1221	1-126-964-11	ELECT	10uF	20% 50V					
C1222	1-126-964-11	ELECT	10uF	20% 50V					

## MULTI-VIDEO

Ref. No.	Part No.	Description	Remark	Ref. No.	Part No.	Description	Remark
C1295	1-126-965-91	ELECT	22uF 20% 50V (STR-DA2000ES)	IC1271	8-759-242-70	IC TC7WU04F (STR-DB2000)	
		< CONNECTOR >		IC1272	8-759-032-01	IC MC74HC00AF (STR-DB2000)	
CN604	1-784-921-11	PIN, CONNECTOR 4P		IC1281	8-759-822-05	IC LA7213 (STR-DB2000)	
CN1202	1-794-002-11	CONNECTOR 13P (STR-DB2000)		IC1282	8-759-822-05	IC LA7213 (STR-DB2000)	
CN1202	1-794-004-11	CONNECTOR 17P (STR-DA2000ES)				< JACK >	
CN1204	1-784-774-11	CONNECTOR, FFC 13P		J601	1-695-188-31	JACK, PIN 4P (MULTI CH INPUT 1 FRONT/ SURROUND)	
CN1205	1-568-826-11	CONNECTOR, FFC 7P (STR-DA2000ES)		J602	1-770-272-11	JACK, PIN 2P (MULTI CH INPUT 1 SURR BACK) (STR-DA2000ES)	
CN1241	1-784-921-11	PIN, CONNECTOR 4P		J602	1-770-377-31	JACK, PIN 1P (MULTI CH INPUT 1 SURR BACK) (STR-DB2000)	
CN1290	1-766-600-21	CONNECTOR, BOARD TO BOARD 7P (STR-DA2000ES)		J603	1-770-157-21	JACK, PIN 2P (MULTI CH INPUT 1 CENTER/ SUB WOOFER)	
		< CONNECTOR >		J604	1-779-599-11	JACK, PIN 6P (MULTI CH INPUT 2 FRONT/ SURROUD/CENTER/SUB WOOFER)	
CNP601	1-784-926-11	PIN, CONNECTOR 11P		J1201	1-794-970-11	JACK, PIN 1P (TV/SAT VIDEO IN)	
CNP602	1-784-928-11	PIN, CONNECTOR 13P		J1202	1-794-978-11	JACK, PIN 3P (DVD VIDEO IN, VIDEO2 VIDEO OUT, VIDEO2 VIDEO IN)	
CNP603	1-784-927-11	PIN, CONNECTOR 12P		J1203	1-794-978-11	JACK, PIN 3P (VIDEO1 VIDEO OUT, VIDEO1 VIDEO IN, MONITOR VIDEO OUT)	
		< TRIMMER >				< JUMPER RESISTOR >	
CT1241	1-141-442-91	CAP, CERAMIC TRIMMER		JW1	1-216-295-00	SHORT CHIP 0 (STR-DB2000)	
CT1261	1-141-442-91	CAP, CERAMIC TRIMMER (STR-DA2000ES)		JW261	1-216-295-00	SHORT CHIP 0	
CT1271	1-141-442-91	CAP, CERAMIC TRIMMER (STR-DB2000)		JW1201	1-216-295-00	SHORT CHIP 0	
CT1272	1-141-442-91	CAP, CERAMIC TRIMMER (STR-DB2000)		JW1202	1-216-295-00	SHORT CHIP 0	
		< DIODE >		JW1231	1-216-295-00	SHORT CHIP 0	
D1201	8-719-988-61	DIODE 1SS355TE-17		JW1233	1-216-295-00	SHORT CHIP 0	
D1206	8-719-988-61	DIODE 1SS355TE-17		JW1234	1-216-295-00	SHORT CHIP 0	
D1241	8-719-988-61	DIODE 1SS355TE-17		JW1241	1-216-295-00	SHORT CHIP 0 (STR-DB2000)	
D1290	8-719-988-61	DIODE 1SS355TE-17 (STR-DA2000ES)		JW1242	1-216-295-00	SHORT CHIP 0 (STR-DB2000)	
		< FERRITE BEAD >				< COIL >	
FB1271	1-414-813-11	FERRITE, EMI (SMD) (2012) (STR-DB2000)		L1241	1-408-781-00	INDUCTOR 22uH	
FB1272	1-469-152-11	FERRITE, EMI (SMD) (2012) (STR-DB2000)				< TRANSISTOR >	
FB1281	1-412-911-11	INDUCTOR, FERRITE BEAD (STR-DB2000)		Q1241	8-729-230-49	TRANSISTOR 2SC2712-YG	
		< IC >		Q1242	8-729-230-49	TRANSISTOR 2SC2712-YG	
IC111	8-759-636-55	IC M5218AFP		Q1291	8-729-230-49	TRANSISTOR 2SC2712-YG (STR-DA2000ES)	
IC131	8-759-636-55	IC M5218AFP		Q1292	8-729-216-22	TRANSISTOR 2SA1162-G (STR-DA2000ES)	
IC141	8-759-636-55	IC M5218AFP		Q1293	8-729-230-49	TRANSISTOR 2SC2712-YG (STR-DA2000ES)	
IC161	8-759-636-55	IC M5218AFP		Q1294	8-729-230-49	TRANSISTOR 2SC2712-YG (STR-DA2000ES)	
IC181	8-759-636-55	IC M5218AFP		Q1295	8-729-216-22	TRANSISTOR 2SA1162-G (STR-DA2000ES)	
IC211	8-759-636-55	IC M5218AFP				< RESISTOR >	
IC231	8-759-636-55	IC M5218AFP		R111	1-208-405-41	RES-CHIP 47 2% 1/8W (STR-DB2000: AEP, UK)	
IC241	8-759-636-55	IC M5218AFP		R111	1-216-017-00	RES-CHIP 47 5% 1/10W (EXCEPT STR-DB2000: AEP, UK)	
IC261	8-759-636-55	IC M5218AFP		R112	1-216-675-11	METAL CHIP 10K 0.5% 1/10W	
IC281	8-759-636-55	IC M5218AFP		R113	1-216-675-11	METAL CHIP 10K 0.5% 1/10W	
IC311	8-759-636-55	IC M5218AFP		R114	1-208-405-41	RES-CHIP 47 2% 1/8W (STR-DB2000: AEP, UK)	
IC312	8-759-636-55	IC M5218AFP					
IC313	8-759-636-55	IC M5218AFP					
IC321	8-759-636-55	IC M5218AFP					
IC322	8-759-636-55	IC M5218AFP					
IC326	8-759-835-79	IC TC9274N-016					
IC327	8-759-636-55	IC M5218AFP					
IC341	8-759-835-79	IC TC9274N-016					
IC1201	6-704-199-01	IC NJM2595M-TE2					
IC1241	6-700-367-01	IC MB90089PF-G-238-BND					
IC1242	8-759-682-76	IC BA7622F-E2-A					
IC1243	8-759-525-43	IC TC74HCT08AF (EL)					

# STR-DA2000ES/DB2000

## MULTI-VIDEO

Ref. No.	Part No.	Description	Remark		
R114	1-216-017-00	RES-CHIP	47	5%	1/10W (EXCEPT STR-DB2000: AEP, UK)
R115	1-216-670-11	METAL CHIP	6.2K	0.5%	1/10W
R116	1-216-683-11	METAL CHIP	22K	0.5%	1/10W
R117	1-208-526-41	RES-CHIP	47K	2%	1/10W (STR-DB2000: AEP, UK)
R117	1-216-089-11	RES-CHIP	47K	5%	1/10W (EXCEPT STR-DB2000: AEP, UK)
R119	1-216-675-11	METAL CHIP	10K	0.5%	1/10W
R120	1-216-675-11	METAL CHIP	10K	0.5%	1/10W
R121	1-216-222-00	RES-CHIP	10K	5%	1/8W (EXCEPT STR-DB2000: AEP, UK)
R121	1-260-008-11	CARBON MELF	10K	2%	1/8W (STR-DB2000: AEP, UK)
R122	1-216-232-00	RES-CHIP	27K	5%	1/8W (EXCEPT STR-DB2000: AEP, UK)
R122	1-260-013-11	CARBON MELF	27K	2%	1/8W (STR-DB2000: AEP, UK)
R123	1-216-222-00	RES-CHIP	10K	5%	1/8W (EXCEPT STR-DB2000: AEP, UK)
R123	1-260-008-11	CARBON MELF	10K	2%	1/8W (STR-DB2000: AEP, UK)
R124	1-216-222-00	RES-CHIP	10K	5%	1/8W (EXCEPT STR-DB2000: AEP, UK)
R124	1-260-008-11	CARBON MELF	10K	2%	1/8W (STR-DB2000: AEP, UK)
R125	1-216-238-91	RES-CHIP	47K	5%	1/8W (EXCEPT STR-DB2000: AEP, UK)
R125	1-260-016-11	CARBON MELF	47K	2%	1/8W (STR-DB2000: AEP, UK)
R126	1-216-222-00	RES-CHIP	10K	5%	1/8W (EXCEPT STR-DB2000: AEP, UK)
R126	1-260-008-11	CARBON MELF	10K	2%	1/8W (STR-DB2000: AEP, UK)
R127	1-216-222-00	RES-CHIP	10K	5%	1/8W (EXCEPT STR-DB2000: AEP, UK)
R127	1-260-008-11	CARBON MELF	10K	2%	1/8W (STR-DB2000: AEP, UK)
R128	1-216-222-00	RES-CHIP	10K	5%	1/8W (EXCEPT STR-DB2000: AEP, UK)
R128	1-260-008-11	CARBON MELF	10K	2%	1/8W (STR-DB2000: AEP, UK)
R129	1-216-236-11	RES-CHIP	39K	5%	1/8W (EXCEPT STR-DB2000: AEP, UK)
R129	1-260-015-11	CARBON MELF	39K	2%	1/8W (STR-DB2000: AEP, UK)
R130	1-216-232-00	RES-CHIP	27K	5%	1/8W (EXCEPT STR-DB2000: AEP, UK)
R130	1-260-013-11	CARBON MELF	27K	2%	1/8W (STR-DB2000: AEP, UK)
R131	1-216-228-00	RES-CHIP	18K	5%	1/8W (EXCEPT STR-DB2000: AEP, UK)
R131	1-260-011-11	CARBON MELF	18K	2%	1/8W (STR-DB2000: AEP, UK)
R132	1-216-226-00	RES-CHIP	15K	5%	1/8W (EXCEPT STR-DB2000: AEP, UK)
R132	1-260-010-11	CARBON MELF	15K	2%	1/8W (STR-DB2000: AEP, UK)
R133	1-216-226-00	RES-CHIP	15K	5%	1/8W (EXCEPT STR-DB2000: AEP, UK)
R133	1-260-010-11	CARBON MELF	15K	2%	1/8W (STR-DB2000: AEP, UK)

Ref. No.	Part No.	Description	Remark		
R134	1-216-214-00	RES-CHIP	4.7K	5%	1/8W (EXCEPT STR-DB2000: AEP, UK)
R134	1-260-004-11	CARBON MELF	4.7K	2%	1/8W (STR-DB2000: AEP, UK)
R135	1-216-222-00	RES-CHIP	10K	5%	1/8W (EXCEPT STR-DB2000: AEP, UK)
R135	1-260-008-11	CARBON MELF	10K	2%	1/8W (STR-DB2000: AEP, UK)
R136	1-216-238-91	RES-CHIP	47K	5%	1/8W (EXCEPT STR-DB2000: AEP, UK)
R136	1-260-016-11	CARBON MELF	47K	2%	1/8W (STR-DB2000: AEP, UK)
R141	1-208-405-41	RES-CHIP	47	2%	1/8W (STR-DB2000: AEP, UK)
R141	1-216-017-00	RES-CHIP	47	5%	1/10W (EXCEPT STR-DB2000: AEP, UK)
R142	1-216-675-11	METAL CHIP	10K	0.5%	1/10W
R143	1-216-675-11	METAL CHIP	10K	0.5%	1/10W
R144	1-208-405-41	RES-CHIP	47	2%	1/8W (STR-DB2000: AEP, UK)
R144	1-216-017-00	RES-CHIP	47	5%	1/10W (EXCEPT STR-DB2000: AEP, UK)
R145	1-216-670-11	METAL CHIP	6.2K	0.5%	1/10W
R146	1-216-683-11	METAL CHIP	22K	0.5%	1/10W
R147	1-208-526-41	RES-CHIP	47K	2%	1/10W (STR-DB2000: AEP, UK)
R147	1-216-089-11	RES-CHIP	47K	5%	1/10W (EXCEPT STR-DB2000: AEP, UK)
R148	1-216-238-91	RES-CHIP	47K	5%	1/8W (EXCEPT STR-DB2000: AEP, UK)
R148	1-260-016-11	CARBON MELF	47K	2%	1/8W (STR-DB2000: AEP, UK)
R149	1-216-675-11	METAL CHIP	10K	0.5%	1/10W
R150	1-216-675-11	METAL CHIP	10K	0.5%	1/10W
R161	1-208-405-41	RES-CHIP	47	2%	1/8W (STR-DB2000: AEP, UK)
R161	1-216-017-00	RES-CHIP	47	5%	1/10W (EXCEPT STR-DB2000: AEP, UK)
R162	1-216-675-11	METAL CHIP	10K	0.5%	1/10W
R163	1-216-675-11	METAL CHIP	10K	0.5%	1/10W
R164	1-208-405-41	RES-CHIP	47	2%	1/8W (STR-DB2000: AEP, UK)
R164	1-216-017-00	RES-CHIP	47	5%	1/10W (EXCEPT STR-DB2000: AEP, UK)
R165	1-216-670-11	METAL CHIP	6.2K	0.5%	1/10W
R166	1-216-683-11	METAL CHIP	22K	0.5%	1/10W
R167	1-208-526-41	RES-CHIP	47K	2%	1/10W (STR-DB2000: AEP, UK)
R167	1-216-089-11	RES-CHIP	47K	5%	1/10W (EXCEPT STR-DB2000: AEP, UK)
R168	1-216-238-91	RES-CHIP	47K	5%	1/8W (EXCEPT STR-DB2000: AEP, UK)
R168	1-260-016-11	CARBON MELF	47K	2%	1/8W (STR-DB2000: AEP, UK)
R169	1-216-675-11	METAL CHIP	10K	0.5%	1/10W
R170	1-216-675-11	METAL CHIP	10K	0.5%	1/10W
R181	1-208-405-41	RES-CHIP	47	2%	1/8W (STR-DB2000: AEP, UK)
R181	1-216-017-00	RES-CHIP	47	5%	1/10W (EXCEPT STR-DB2000: AEP, UK)
R182	1-216-675-11	METAL CHIP	10K	0.5%	1/10W

## MULTI-VIDEO

Ref. No.	Part No.	Description	Remark	Ref. No.	Part No.	Description	Remark
R183	1-216-675-11	METAL CHIP	10K 0.5% 1/10W	R223	1-260-008-11	CARBON MELF	10K 2% 1/8W
R184	1-208-405-41	RES-CHIP	47 2% 1/8W				(STR-DB2000: AEP, UK)
			(STR-DB2000: AEP, UK)	R224	1-216-222-00	RES-CHIP	10K 5% 1/8W
R184	1-216-017-00	RES-CHIP	47 5% 1/10W				(EXCEPT STR-DB2000: AEP, UK)
			(EXCEPT STR-DB2000: AEP, UK)	R224	1-260-008-11	CARBON MELF	10K 2% 1/8W
R185	1-216-670-11	METAL CHIP	6.2K 0.5% 1/10W				(STR-DB2000: AEP, UK)
R186	1-216-683-11	METAL CHIP	22K 0.5% 1/10W				
				R225	1-216-238-91	RES-CHIP	47K 5% 1/8W
R187	1-208-526-41	RES-CHIP	47K 2% 1/10W				(EXCEPT STR-DB2000: AEP, UK)
			(STR-DB2000: AEP, UK)	R225	1-260-016-11	CARBON MELF	47K 2% 1/8W
R187	1-216-089-11	RES-CHIP	47K 5% 1/10W				(STR-DB2000: AEP, UK)
			(EXCEPT STR-DB2000: AEP, UK)	R226	1-216-222-00	RES-CHIP	10K 5% 1/8W
R188	1-216-238-91	RES-CHIP	47K 5% 1/8W				(EXCEPT STR-DB2000: AEP, UK)
			(EXCEPT STR-DB2000: AEP, UK)	R226	1-260-008-11	CARBON MELF	10K 2% 1/8W
R188	1-260-016-11	CARBON MELF	47K 2% 1/8W				(STR-DB2000: AEP, UK)
			(STR-DB2000: AEP, UK)	R227	1-216-222-00	RES-CHIP	10K 5% 1/8W
R189	1-216-675-11	METAL CHIP	10K 0.5% 1/10W				(EXCEPT STR-DB2000: AEP, UK)
				R227	1-260-008-11	CARBON MELF	10K 2% 1/8W
R190	1-216-675-11	METAL CHIP	10K 0.5% 1/10W				(STR-DB2000: AEP, UK)
R191	1-216-105-00	RES-CHIP	220K 5% 1/10W	R228	1-216-222-00	RES-CHIP	10K 5% 1/8W
R192	1-216-105-00	RES-CHIP	220K 5% 1/10W				(EXCEPT STR-DB2000: AEP, UK)
R193	1-216-105-00	RES-CHIP	220K 5% 1/10W	R228	1-260-008-11	CARBON MELF	10K 2% 1/8W
R194	1-216-105-00	RES-CHIP	220K 5% 1/10W				(STR-DB2000: AEP, UK)
				R229	1-216-236-11	RES-CHIP	39K 5% 1/8W
R195	1-216-105-00	RES-CHIP	220K 5% 1/10W				(EXCEPT STR-DB2000: AEP, UK)
R196	1-216-105-00	RES-CHIP	220K 5% 1/10W	R229	1-260-015-11	CARBON MELF	39K 2% 1/8W
R197	1-216-105-00	RES-CHIP	220K 5% 1/10W				(STR-DB2000: AEP, UK)
R198	1-216-105-00	RES-CHIP	220K 5% 1/10W				
R199	1-216-105-00	RES-CHIP	220K 5% 1/10W	R230	1-216-232-00	RES-CHIP	27K 5% 1/8W
							(EXCEPT STR-DB2000: AEP, UK)
R200	1-216-105-00	RES-CHIP	220K 5% 1/10W	R230	1-260-013-11	CARBON MELF	27K 2% 1/8W
R203	1-216-105-00	RES-CHIP	220K 5% 1/10W				(STR-DB2000: AEP, UK)
R204	1-216-105-00	RES-CHIP	220K 5% 1/10W	R231	1-216-228-00	RES-CHIP	18K 5% 1/8W
R205	1-216-105-00	RES-CHIP	220K 5% 1/10W				(EXCEPT STR-DB2000: AEP, UK)
			(STR-DA2000ES)	R231	1-260-011-11	CARBON MELF	18K 2% 1/8W
R206	1-216-105-00	RES-CHIP	220K 5% 1/10W				(STR-DB2000: AEP, UK)
			(STR-DA2000ES)	R232	1-216-226-00	RES-CHIP	15K 5% 1/8W
							(EXCEPT STR-DB2000: AEP, UK)
R211	1-208-405-41	RES-CHIP	47 2% 1/8W	R232	1-260-010-11	CARBON MELF	15K 2% 1/8W
			(STR-DB2000: AEP, UK)				(STR-DB2000: AEP, UK)
R211	1-216-017-00	RES-CHIP	47 5% 1/10W	R233	1-216-226-00	RES-CHIP	15K 5% 1/8W
			(EXCEPT STR-DB2000: AEP, UK)				(EXCEPT STR-DB2000: AEP, UK)
R212	1-216-675-11	METAL CHIP	10K 0.5% 1/10W	R233	1-260-010-11	CARBON MELF	15K 2% 1/8W
R213	1-216-675-11	METAL CHIP	10K 0.5% 1/10W				(STR-DB2000: AEP, UK)
R214	1-208-405-41	RES-CHIP	47 2% 1/8W	R234	1-216-214-00	RES-CHIP	4.7K 5% 1/8W
			(STR-DB2000: AEP, UK)				(EXCEPT STR-DB2000: AEP, UK)
R214	1-216-017-00	RES-CHIP	47 5% 1/10W	R234	1-260-004-11	CARBON MELF	4.7K 2% 1/8W
			(EXCEPT STR-DB2000: AEP, UK)				(STR-DB2000: AEP, UK)
R215	1-216-670-11	METAL CHIP	6.2K 0.5% 1/10W				
R216	1-216-683-11	METAL CHIP	22K 0.5% 1/10W	R235	1-216-222-00	RES-CHIP	10K 5% 1/8W
R217	1-208-526-41	RES-CHIP	47K 2% 1/10W				(EXCEPT STR-DB2000: AEP, UK)
			(STR-DB2000: AEP, UK)	R235	1-260-008-11	CARBON MELF	10K 2% 1/8W
R217	1-216-089-11	RES-CHIP	47K 5% 1/10W				(STR-DB2000: AEP, UK)
			(EXCEPT STR-DB2000: AEP, UK)	R236	1-216-238-91	RES-CHIP	47K 5% 1/8W
							(EXCEPT STR-DB2000: AEP, UK)
R219	1-216-675-11	METAL CHIP	10K 0.5% 1/10W	R236	1-260-016-11	CARBON MELF	47K 2% 1/8W
R220	1-216-675-11	METAL CHIP	10K 0.5% 1/10W				(STR-DB2000: AEP, UK)
R221	1-216-222-00	RES-CHIP	10K 5% 1/8W	R241	1-208-405-41	RES-CHIP	47 2% 1/8W
			(EXCEPT STR-DB2000: AEP, UK)				(STR-DB2000: AEP, UK)
R221	1-260-008-11	CARBON MELF	10K 2% 1/8W				
			(STR-DB2000: AEP, UK)	R241	1-216-017-00	RES-CHIP	47 5% 1/10W
R222	1-216-232-00	RES-CHIP	27K 5% 1/8W				(EXCEPT STR-DB2000: AEP, UK)
			(EXCEPT STR-DB2000: AEP, UK)	R242	1-216-675-11	METAL CHIP	10K 0.5% 1/10W
R222	1-260-013-11	CARBON MELF	27K 2% 1/8W				(STR-DB2000: AEP, UK)
			(STR-DB2000: AEP, UK)	R243	1-216-675-11	METAL CHIP	10K 0.5% 1/10W
R223	1-216-222-00	RES-CHIP	10K 5% 1/8W				(STR-DB2000: AEP, UK)
			(EXCEPT STR-DB2000: AEP, UK)	R244	1-208-405-41	RES-CHIP	47 2% 1/8W

# STR-DA2000ES/DB2000

## MULTI-VIDEO

Ref. No.	Part No.	Description	Remark
R244	1-216-017-00	RES-CHIP	47 5% 1/10W (EXCEPT STR-DB2000: AEP, UK)
R245	1-216-670-11	METAL CHIP	6.2K 0.5% 1/10W
R246	1-216-683-11	METAL CHIP	22K 0.5% 1/10W
R247	1-208-526-41	RES-CHIP	47K 2% 1/10W (STR-DB2000: AEP, UK)
R247	1-216-089-11	RES-CHIP	47K 5% 1/10W (EXCEPT STR-DB2000: AEP, UK)
R248	1-216-238-91	RES-CHIP	47K 5% 1/8W (EXCEPT STR-DB2000: AEP, UK)
R248	1-260-016-11	CARBON MELF	47K 2% 1/8W (STR-DB2000: AEP, UK)
R249	1-216-675-11	METAL CHIP	10K 0.5% 1/10W
R250	1-216-675-11	METAL CHIP	10K 0.5% 1/10W
R261	1-208-405-41	RES-CHIP	47 2% 1/8W (STR-DB2000: AEP, UK)
R261	1-216-017-00	RES-CHIP	47 5% 1/10W (EXCEPT STR-DB2000: AEP, UK)
R262	1-216-675-11	METAL CHIP	10K 0.5% 1/10W
R263	1-216-675-11	METAL CHIP	10K 0.5% 1/10W
R264	1-208-405-41	RES-CHIP	47 2% 1/8W (STR-DB2000: AEP, UK)
R264	1-216-017-00	RES-CHIP	47 5% 1/10W (EXCEPT STR-DB2000: AEP, UK)
R265	1-216-670-11	METAL CHIP	6.2K 0.5% 1/10W
R266	1-216-683-11	METAL CHIP	22K 0.5% 1/10W
R267	1-208-526-41	RES-CHIP	47K 2% 1/10W (STR-DB2000: AEP, UK)
R267	1-216-089-11	RES-CHIP	47K 5% 1/10W (EXCEPT STR-DB2000: AEP, UK)
R268	1-216-238-91	RES-CHIP	47K 5% 1/8W (EXCEPT STR-DB2000: AEP, UK)
R268	1-260-016-11	CARBON MELF	47K 2% 1/8W (STR-DB2000: AEP, UK)
R281	1-216-017-00	RES-CHIP	47 5% 1/10W (STR-DA2000ES)
R282	1-216-675-11	METAL CHIP	10K 0.5% 1/10W (STR-DA2000ES)
R283	1-216-675-11	METAL CHIP	10K 0.5% 1/10W (STR-DA2000ES)
R284	1-216-017-00	RES-CHIP	47 5% 1/10W (STR-DA2000ES)
R285	1-216-670-11	METAL CHIP	6.2K 0.5% 1/10W (STR-DA2000ES)
R286	1-216-683-11	METAL CHIP	22K 0.5% 1/10W (STR-DA2000ES)
R287	1-216-089-11	RES-CHIP	47K 5% 1/10W (STR-DA2000ES)
R288	1-216-238-91	RES-CHIP	47K 5% 1/8W (EXCEPT STR-DB2000: AEP, UK)
R288	1-260-016-11	CARBON MELF	47K 2% 1/8W (STR-DB2000: AEP, UK)
R289	1-216-675-11	METAL CHIP	10K 0.5% 1/10W (STR-DA2000ES)
R290	1-216-675-11	METAL CHIP	10K 0.5% 1/10W (STR-DA2000ES)
R326	1-216-295-00	SHORT CHIP	0
R327	1-216-295-00	SHORT CHIP	0
R328	1-216-295-00	SHORT CHIP	0
R329	1-216-013-00	RES-CHIP	33 5% 1/10W
R340	1-216-013-00	RES-CHIP	33 5% 1/10W

Ref. No.	Part No.	Description	Remark
R341	1-216-295-00	SHORT CHIP	0
R342	1-216-295-00	SHORT CHIP	0
R343	1-216-295-00	SHORT CHIP	0
R344	1-216-013-00	RES-CHIP	33 5% 1/10W
R345	1-216-013-00	RES-CHIP	33 5% 1/10W
R401	1-216-198-00	RES-CHIP	1K 5% 1/8W (EXCEPT STR-DB2000: AEP, UK)
R401	1-259-995-11	CARBON MELF	1K 2% 1/8W (STR-DB2000: AEP, UK)
R402	1-216-198-00	RES-CHIP	1K 5% 1/8W (EXCEPT STR-DB2000: AEP, UK)
R402	1-259-995-11	CARBON MELF	1K 2% 1/8W (STR-DB2000: AEP, UK)
R403	1-216-198-00	RES-CHIP	1K 5% 1/8W (EXCEPT STR-DB2000: AEP, UK)
R403	1-259-995-11	CARBON MELF	1K 2% 1/8W (STR-DB2000: AEP, UK)
R404	1-216-198-00	RES-CHIP	1K 5% 1/8W (EXCEPT STR-DB2000: AEP, UK)
R404	1-259-995-11	CARBON MELF	1K 2% 1/8W (STR-DB2000: AEP, UK)
R405	1-216-198-00	RES-CHIP	1K 5% 1/8W (EXCEPT STR-DB2000: AEP, UK)
R405	1-259-995-11	CARBON MELF	1K 2% 1/8W (STR-DB2000: AEP, UK)
R406	1-216-198-00	RES-CHIP	1K 5% 1/8W (EXCEPT STR-DB2000: AEP, UK)
R406	1-259-995-11	CARBON MELF	1K 2% 1/8W (STR-DB2000: AEP, UK)
R407	1-216-198-00	RES-CHIP	1K 5% 1/8W (EXCEPT STR-DB2000: AEP, UK)
R407	1-259-995-11	CARBON MELF	1K 2% 1/8W (STR-DB2000: AEP, UK)
R501	1-216-198-00	RES-CHIP	1K 5% 1/8W (EXCEPT STR-DB2000: AEP, UK)
R501	1-259-995-11	CARBON MELF	1K 2% 1/8W (STR-DB2000: AEP, UK)
R502	1-216-198-00	RES-CHIP	1K 5% 1/8W (EXCEPT STR-DB2000: AEP, UK)
R502	1-259-995-11	CARBON MELF	1K 2% 1/8W (STR-DB2000: AEP, UK)
R503	1-216-198-00	RES-CHIP	1K 5% 1/8W (EXCEPT STR-DB2000: AEP, UK)
R503	1-259-995-11	CARBON MELF	1K 2% 1/8W (STR-DB2000: AEP, UK)
R504	1-216-198-00	RES-CHIP	1K 5% 1/8W (EXCEPT STR-DB2000: AEP, UK)
R504	1-259-995-11	CARBON MELF	1K 2% 1/8W (STR-DB2000: AEP, UK)
R505	1-216-198-00	RES-CHIP	1K 5% 1/8W (EXCEPT STR-DB2000: AEP, UK)
R505	1-259-995-11	CARBON MELF	1K 2% 1/8W (STR-DB2000: AEP, UK)
R506	1-216-198-00	RES-CHIP	1K 5% 1/8W (EXCEPT STR-DB2000: AEP, UK)
R506	1-259-995-11	CARBON MELF	1K 2% 1/8W (STR-DB2000: AEP, UK)
R507	1-216-198-00	RES-CHIP	1K 5% 1/8W (EXCEPT STR-DB2000: AEP, UK)
R507	1-259-995-11	CARBON MELF	1K 2% 1/8W (STR-DB2000: AEP, UK)
R1203	1-216-022-00	RES-CHIP	75 5% 1/10W

<b>MULTI-VIDEO</b>	<b>REG</b>
--------------------	------------

Ref. No.	Part No.	Description	Remark	Ref. No.	Part No.	Description	Remark
R1205	1-216-022-00	RES-CHIP	75 5% 1/10W				(STR-DA2000ES)
R1207	1-216-022-00	RES-CHIP	75 5% 1/10W	R1299	1-216-057-00	RES-CHIP 2.2K	5% 1/10W (STR-DA2000ES)
R1211	1-216-022-00	RES-CHIP	75 5% 1/10W				
R1212	1-216-022-00	RES-CHIP	75 5% 1/10W				
R1214	1-216-022-00	RES-CHIP	75 5% 1/10W	△ R1300	1-249-393-11	CARBON 10	5% 1/4W F (STR-DA2000ES)
R1216	1-216-022-00	RES-CHIP	75 5% 1/10W				
R1218	1-216-022-00	RES-CHIP	75 5% 1/10W				
R1241	1-216-089-11	RES-CHIP	47K 5% 1/10W				< VARIABLE RESISTOR >
R1242	1-216-051-00	RES-CHIP	1.2K 5% 1/10W	RV111	1-241-759-11	RES, ADJ, CARBON	220
R1243	1-216-063-00	RES-CHIP	3.9K 5% 1/10W	RV141	1-241-759-11	RES, ADJ, CARBON	220
R1244	1-216-089-11	RES-CHIP	47K 5% 1/10W	RV161	1-241-759-11	RES, ADJ, CARBON	220
R1246	1-216-089-11	RES-CHIP	47K 5% 1/10W	RV181	1-241-759-11	RES, ADJ, CARBON	220
R1247	1-216-089-11	RES-CHIP	47K 5% 1/10W	RV211	1-241-759-11	RES, ADJ, CARBON	220
R1248	1-216-065-00	RES-CHIP	4.7K 5% 1/10W	RV241	1-241-759-11	RES, ADJ, CARBON	220
R1249	1-216-049-11	RES-CHIP	1K 5% 1/10W	RV281	1-241-759-11	RES, ADJ, CARBON	220
R1250	1-216-049-11	RES-CHIP	1K 5% 1/10W				< RELAY >
R1251	1-216-049-11	RES-CHIP	1K 5% 1/10W				
R1261	1-216-035-00	RES-CHIP	270 5% 1/10W (STR-DA2000ES)	RY1290	1-755-359-11	RELAY (STR-DA2000ES)	
R1271	1-216-035-00	RES-CHIP	270 5% 1/10W (STR-DB2000)				< VIBRATOR >
R1272	1-216-121-11	RES-CHIP	1M 5% 1/10W (STR-DB2000)	X1261	1-781-821-21	VIBRATOR, CRYSTAL (14.31MHz)	(STR-DA2000ES)
R1273	1-216-035-00	RES-CHIP	270 5% 1/10W (STR-DB2000)	X1271	1-781-821-21	VIBRATOR, CRYSTAL (14.31MHz)	(STR-DB2000)
R1274	1-216-121-11	RES-CHIP	1M 5% 1/10W (STR-DB2000)	X1272	1-781-820-21	VIBRATOR, CRYSTAL (17.734MHz)	(STR-DB2000)
R1275	1-216-025-11	RES-CHIP	100 5% 1/10W (STR-DB2000)	*****			
R1276	1-216-025-11	RES-CHIP	100 5% 1/10W (STR-DB2000)	A-4733-941-A	REG BOARD, COMPLETE	(STR-DA2000ES)	
R1277	1-216-025-11	RES-CHIP	100 5% 1/10W (STR-DB2000: AEP, UK)	A-4734-035-A	REG BOARD, COMPLETE	(STR-DB2000: SP, MY)	
R1277	1-216-174-00	RES-CHIP	100 5% 1/8W (STR-DB2000: SP, MY)	A-4734-064-A	REG BOARD, COMPLETE	(STR-DB2000: AEP, UK)	
R1281	1-216-037-00	RES-CHIP	330 5% 1/10W (STR-DB2000)	7-685-646-79	SCREW +BVTP 3X8 TYPE2 IT-3		
R1282	1-216-037-00	RES-CHIP	330 5% 1/10W (STR-DB2000)				< CAPACITOR >
R1283	1-216-101-00	RES-CHIP	150K 5% 1/10W (STR-DB2000)	C905	1-137-150-11	MYLAR 0.01uF 5% 100V	
R1284	1-216-101-00	RES-CHIP	150K 5% 1/10W (STR-DB2000)	C906	1-165-319-11	CERAMIC CHIP 0.1uF 50V	
R1285	1-216-049-11	RES-CHIP	1K 5% 1/10W (STR-DA2000ES)	C907	1-127-720-91	ELECT 470uF 20% 16V	(EXCEPT STR-DB2000: AEP, UK)
R1290	1-216-049-11	RES-CHIP	1K 5% 1/10W (STR-DA2000ES)	C907	1-135-711-91	ELECT 470uF 16V	(STR-DB2000: AEP, UK)
R1291	1-216-033-00	RES-CHIP	220 5% 1/10W (STR-DA2000ES)	C908	1-165-319-11	CERAMIC CHIP 0.1uF 50V	
R1292	1-216-053-00	RES-CHIP	1.5K 5% 1/10W (STR-DA2000ES)	C909	1-128-858-11	ELECT 22uF 20% 50V	(EXCEPT STR-DB2000: AEP, UK)
R1293	1-216-049-11	RES-CHIP	1K 5% 1/10W (STR-DA2000ES)	C909	1-135-703-91	ELECT 22uF 25V	(STR-DB2000: AEP, UK)
R1294	1-216-073-00	RES-CHIP	10K 5% 1/10W (STR-DA2000ES)	C909	1-135-710-91	ELECT 220uF 16V	(STR-DB2000: AEP, UK)
R1295	1-216-053-00	RES-CHIP	1.5K 5% 1/10W (STR-DA2000ES)	C910	1-128-889-51	ELECT 470uF 20% 100V	(EXCEPT STR-DB2000: AEP, UK)
R1296	1-216-053-00	RES-CHIP	1.5K 5% 1/10W (STR-DA2000ES)	C910	1-135-733-51	ELECT 470uF 100V	(STR-DB2000: AEP, UK)
R1297	1-216-057-00	RES-CHIP	2.2K 5% 1/10W (STR-DA2000ES)	C911	1-100-188-11	MYLAR 0.75uF 5% 250V	
R1298	1-216-073-00	RES-CHIP	10K 5% 1/10W	C913	1-100-691-11	ELECT 10000uF 20% 63V	
				C914	1-100-188-11	MYLAR 0.75uF 5% 250V	
				C915	1-127-718-91	ELECT 100uF 20% 16V	
				C916	1-165-319-11	CERAMIC CHIP 0.1uF 50V	
				C917	1-127-718-91	ELECT 100uF 20% 16V	

<p>The components identified by mark △ or dotted line with mark △ are critical for safety. Replace only with part number specified.</p>	<p>Les composants identifiés par une marque △ sont critiques pour la sécurité. Ne les remplacer que par une pièce portant le numéro spécifié.</p>
---	---

**STR-DA2000ES/DB2000**

<b>REG</b>	<b>SP TM (A)</b>	<b>SP TM (B)</b>
------------	------------------	------------------

Ref. No.	Part No.	Description	Remark
C918	1-165-319-11	CERAMIC CHIP 0.1uF	50V
C919	1-127-718-91	ELECT 100uF 20%	16V
C920	1-165-319-11	CERAMIC CHIP 0.1uF	50V
C921	1-135-660-51	ELECT 6800uF	6.3V (STR-DB2000: AEP, UK)
C921	1-137-662-91	ELECT 6800uF 20%	6.3V (EXCEPT STR-DB2000: AEP, UK)
C922	1-165-319-11	CERAMIC CHIP 0.1uF	50V
C923	1-135-660-51	ELECT 6800uF	6.3V (STR-DB2000: AEP, UK)
C923	1-137-662-91	ELECT 6800uF 20%	6.3V (EXCEPT STR-DB2000: AEP, UK)
C924	1-165-319-11	CERAMIC CHIP 0.1uF	50V
C925	1-165-319-11	CERAMIC CHIP 0.1uF	50V
C926	1-127-718-91	ELECT 100uF 20%	16V
C927	1-165-319-11	CERAMIC CHIP 0.1uF	50V
C928	1-127-718-91	ELECT 100uF 20%	16V
< CONNECTOR >			
CN901	1-691-767-11	PLUG (MICRO CONNECTOR) 5P	(STR-DB2000: AEP, UK)
CN902	1-784-922-11	PIN, CONNECTOR 5P	
CN903	1-691-765-11	PLUG (MICRO CONNECTOR) 3P	(STR-DB2000: AEP, UK)
CN904	1-564-321-00	PIN, CONNECTOR 2P (STR-DB2000: AEP, UK)	
CN905	1-564-321-00	PIN, CONNECTOR 2P (STR-DB2000)	
CN906	1-691-765-11	PLUG (MICRO CONNECTOR) 3P	(STR-DB2000: AEP, UK)
CN907	1-691-766-11	PLUG (MICRO CONNECTOR) 4P	
CN908	1-691-770-11	PLUG (MICRO CONNECTOR) 8P	(STR-DB2000: AEP, UK)
CN909	1-784-926-11	PIN, CONNECTOR 11P	
* CN910	1-564-704-11	PIN, CONNECTOR (SMALL TYPE) 2P	
< DIODE >			
D901	8-719-988-61	DIODE 1SS355TE-17	
D902	8-719-988-61	DIODE 1SS355TE-17	
D903	8-719-053-18	DIODE 1SR154-400TE-25	
D904	8-719-053-18	DIODE 1SR154-400TE-25	
D905	8-719-053-18	DIODE 1SR154-400TE-25	
D906	8-719-069-56	DIODE UDZSTE-176.2B	
D907	8-719-016-74	DIODE 1SS352	
< EARTH TERMINAL >			
* EP901	4-924-264-21	TERMINAL, MOUNT	
* EP902	4-924-264-21	TERMINAL, MOUNT	
* EP903	1-537-738-21	TERMINAL, EARTH	
* EP904	1-537-738-21	TERMINAL, EARTH	
* EP905	1-537-738-21	TERMINAL, EARTH	
< IC/TRANSISTOR >			
IC903	8-759-545-66	IC NJM3414AMP (TE2)	
IC911	8-759-445-59	IC BA033T	
IC912	8-759-231-53	IC TA7805S	
* IC913	8-729-045-93	TRANSISTOR IMZ4T108	
< COIL >			
L901	1-421-967-11	INDUCTOR 100uH	
L902	1-421-967-11	INDUCTOR 100uH	

Ref. No.	Part No.	Description	Remark
< TRANSISTOR >			
Q01	8-729-620-05	TRANSISTOR 2SC2603-EF	
Q905	8-729-216-31	TRANSISTOR 2SA1163-G	
Q906	8-729-271-31	TRANSISTOR 2SC2713-G	
Q908	8-729-271-31	TRANSISTOR 2SC2713-G	
Q911	8-729-027-23	TRANSISTOR DTA114EKA-T146	
Q912	8-729-027-43	TRANSISTOR DTC114EKA-T146	
Q913	6-550-363-01	TRANSISTOR 2SB1690KT146	
Q914	8-729-027-43	TRANSISTOR DTC114EKA-T146	
< RESISTOR >			
R905	1-249-589-31	CARBON 36K	5% 1/4W
R906	1-216-025-11	RES-CHIP 100	5% 1/10W
R907	1-216-057-00	RES-CHIP 2.2K	5% 1/10W
R908	1-216-369-00	METAL OXIDE 1	5% 2W
R909	1-216-113-00	RES-CHIP 470K	5% 1/10W
R910	1-216-073-00	RES-CHIP 10K	5% 1/10W
R911	1-216-063-00	RES-CHIP 3.9K	5% 1/10W
R912	1-216-077-00	RES-CHIP 15K	5% 1/10W
R913	1-216-049-11	RES-CHIP 1K	5% 1/10W
R914	1-216-295-00	SHORT CHIP 0	
R915	1-216-025-11	RES-CHIP 100	5% 1/10W
R916	1-216-073-00	RES-CHIP 10K	5% 1/10W
R917	1-215-869-11	METAL OXIDE 1K	5% 1W
R918	1-216-041-11	RES-CHIP 470	5% 1/10W
R919	1-216-049-11	RES-CHIP 1K	5% 1/10W
R920	1-216-049-11	RES-CHIP 1K	5% 1/10W
R921	1-216-073-00	RES-CHIP 10K	5% 1/10W
R922	1-249-607-31	CARBON 200K	5% 1/4W
R927	1-249-958-11	CARBON 30K	5% 1/4W
R928	1-249-937-11	CARBON 2.9K	5% 1/4W
R929	1-216-057-00	RES-CHIP 2.2K	5% 1/10W
R930	1-216-057-00	RES-CHIP 2.2K	5% 1/10W
R931	1-216-071-00	RES-CHIP 8.2K	5% 1/10W
*****			
	1-860-490-11	SP TM (A) BOARD	*****
< CAPACITOR >			
CC004	1-100-156-91	CERAMIC CHIP 680PF	5% 100V
CC005	1-100-156-91	CERAMIC CHIP 680PF	5% 100V
CC011	1-100-156-91	CERAMIC CHIP 680PF	5% 100V
CC012	1-100-156-91	CERAMIC CHIP 680PF	5% 100V
CC018	1-100-156-91	CERAMIC CHIP 680PF	5% 100V
CC019	1-100-156-91	CERAMIC CHIP 680PF	5% 100V
CC025	1-100-156-91	CERAMIC CHIP 680PF	5% 100V
CC026	1-100-156-91	CERAMIC CHIP 680PF	5% 100V
*****			
	1-860-491-11	SP TM (B) BOARD	*****
< CAPACITOR >			
CC051	1-100-156-91	CERAMIC CHIP 680PF	5% 100V
CC052	1-100-156-91	CERAMIC CHIP 680PF	5% 100V
*****			



SP TM (C)	SP TM (D)	SP TM (E)					
SP TM (F)	SP TM (G)	SP TM (H)	SP TM (I)	SP TM (J)	SP TM (K)	S-VIDEO	

Ref. No.	Part No.	Description	Remark			
	1-860-492-11	SP TM (C) BOARD *****				
		< CAPACITOR >				
CC055	1-100-156-91	CERAMIC CHIP	680PF	5%	100V	
CC056	1-100-156-91	CERAMIC CHIP	680PF	5%	100V	
*****						
	1-860-493-11	SP TM (D) BOARD *****				
		< CAPACITOR >				
CC059	1-100-156-91	CERAMIC CHIP	680PF	5%	100V	
CC060	1-100-156-91	CERAMIC CHIP	680PF	5%	100V	
*****						
	1-860-494-11	SP TM (E) BOARD *****				
		< CAPACITOR >				
CC063	1-100-156-91	CERAMIC CHIP	680PF	5%	100V	
CC064	1-100-156-91	CERAMIC CHIP	680PF	5%	100V	
*****						
	1-860-495-11	SP TM (F) BOARD *****				
		< CAPACITOR >				
CC067	1-100-156-91	CERAMIC CHIP	680PF	5%	100V	
CC068	1-100-156-91	CERAMIC CHIP	680PF	5%	100V	
*****						
	1-860-496-11	SP TM (G) BOARD *****				
		< CAPACITOR >				
CC071	1-100-156-91	CERAMIC CHIP	680PF	5%	100V	
CC072	1-100-156-91	CERAMIC CHIP	680PF	5%	100V	
*****						
	1-860-497-11	SP TM (H) BOARD *****				
		< CAPACITOR >				
CC075	1-100-156-91	CERAMIC CHIP	680PF	5%	100V	
CC076	1-100-156-91	CERAMIC CHIP	680PF	5%	100V	
*****						
	1-860-498-11	SP TM (I) BOARD *****				
		< CAPACITOR >				
CC079	1-100-156-91	CERAMIC CHIP	680PF	5%	100V	
CC080	1-100-156-91	CERAMIC CHIP	680PF	5%	100V	
*****						
	1-860-499-11	SP TM (J) BOARD (STR-DA2000ES) *****				
		< CAPACITOR >				
CC083	1-100-156-91	CERAMIC CHIP	680PF	5%	100V	

Ref. No.	Part No.	Description	Remark			
CC084	1-100-156-91	CERAMIC CHIP	680PF	5%	100V	
*****						
	1-860-500-11	SP TM (K) BOARD (STR-DA2000ES) *****				
		< CAPACITOR >				
CC087	1-100-156-91	CERAMIC CHIP	680PF	5%	100V	
CC088	1-100-156-91	CERAMIC CHIP	680PF	5%	100V	
*****						
	A-4733-944-A	S-VIDEO BOARD, COMPLETE (STR-DA2000ES)				
	A-4734-037-A	S-VIDEO BOARD, COMPLETE (STR-DB2000) *****				
		< CAPACITOR >				
C701	1-126-964-11	ELECT	10uF	20%	50V	
C702	1-165-319-11	CERAMIC CHIP	0.1uF		50V	
C703	1-126-964-11	ELECT	10uF	20%	50V	
C704	1-165-319-11	CERAMIC CHIP	0.1uF		50V	
C705	1-163-243-11	CERAMIC CHIP	47PF	5%	50V	
C706	1-163-243-11	CERAMIC CHIP	47PF	5%	50V	
C707	1-126-964-11	ELECT	10uF	20%	50V	
C708	1-165-319-11	CERAMIC CHIP	0.1uF		50V	
C726	1-165-319-11	CERAMIC CHIP	0.1uF		50V	
C727	1-126-964-11	ELECT	10uF	20%	50V	
C731	1-165-319-11	CERAMIC CHIP	0.1uF		50V	
C732	1-165-319-11	CERAMIC CHIP	0.1uF		50V	
C733	1-165-319-11	CERAMIC CHIP	0.1uF		50V	
C734	1-165-319-11	CERAMIC CHIP	0.1uF		50V	
		< CONNECTOR >				
CN701	1-568-444-11	SOCKET, CONNECTOR 13P				
CN753	1-564-721-11	PIN, CONNECTOR (SMALL TYPE) 5P				
		< DIODE >				
D701	8-719-801-78	DIODE 1SS184				
D761	8-719-016-74	DIODE 1SS352				
D766	8-719-016-74	DIODE 1SS352				
		< IC >				
IC701	6-704-199-01	IC NJM2595M-TE2				
IC702	6-704-199-01	IC NJM2595M-TE2				
		< JACK >				
J701	1-764-676-11	CONNECTOR (ROUND TYPE) (DVD S-VIDEO IN, TV/SAT S-VIDEO IN)				
J705	1-764-676-11	CONNECTOR (ROUND TYPE) (VIDEO1 S-VIDEO IN, VIDEO1 S-VIDEO OUT)				
J709	1-537-943-11	TERMINAL, S (MONITOR S-VIDEO OUT)				
J751	1-817-726-11	JACK, PIN 9P (TV-SAT IN, DVD IN, MONITOR OUT)				
		< TRANSISTOR >				
Q761	8-729-230-49	TRANSISTOR	2SC2712-YG			
Q766	8-729-230-49	TRANSISTOR	2SC2712-YG			

# STR-DA2000ES/DB2000

<b>S-VIDEO</b>	<b>TH</b>	<b>UP CONVERT</b>
----------------	-----------	-------------------

Ref. No.	Part No.	Description	Remark
< RESISTOR >			
R701	1-216-022-00	RES-CHIP 75	5% 1/10W
R702	1-216-022-00	RES-CHIP 75	5% 1/10W
R703	1-216-022-00	RES-CHIP 75	5% 1/10W
R704	1-216-022-00	RES-CHIP 75	5% 1/10W
R705	1-216-022-00	RES-CHIP 75	5% 1/10W
R706	1-216-022-00	RES-CHIP 75	5% 1/10W
R707	1-216-022-00	RES-CHIP 75	5% 1/10W
R708	1-216-022-00	RES-CHIP 75	5% 1/10W
R709	1-216-022-00	RES-CHIP 75	5% 1/10W
R710	1-216-022-00	RES-CHIP 75	5% 1/10W
R712	1-216-295-00	SHORT CHIP 0	
R713	1-216-295-00	SHORT CHIP 0	
R721	1-216-295-00	SHORT CHIP 0	
R760	1-216-295-00	SHORT CHIP 0	
R761	1-216-057-00	RES-CHIP 2.2K	5% 1/10W
R762	1-216-073-00	RES-CHIP 10K	5% 1/10W
R766	1-216-057-00	RES-CHIP 2.2K	5% 1/10W
R767	1-216-073-00	RES-CHIP 10K	5% 1/10W
< RELAY >			
RY761	1-755-184-11	RELAY	
RY762	1-755-184-11	RELAY	
RY766	1-755-184-11	RELAY	
RY767	1-755-184-11	RELAY	
*****			
	1-688-684-11	TH BOARD	
*****			
< THERMISTOR (POSITIVE) >			
THP901	1-817-728-11	SENSOR, THERMISTOR	
*****			
	A-4728-955-A	UP CONVERT BOARD, COMPLETE (STR-DA2000ES)	
*****			
< CAPACITOR >			
C3100	1-163-235-11	CERAMIC CHIP 22PF	5% 50V
C3101	1-163-229-11	CERAMIC CHIP 12PF	5% 50V
C3102	1-126-947-11	ELECT 47uF	20% 35V
C3103	1-165-319-11	CERAMIC CHIP 0.1uF	50V
C3104	1-126-947-11	ELECT 47uF	20% 35V
C3105	1-104-665-11	ELECT 100uF	20% 25V
C3106	1-165-319-11	CERAMIC CHIP 0.1uF	50V
C3107	1-163-021-11	CERAMIC CHIP 0.01uF	10% 50V
C3108	1-126-959-11	ELECT 0.47uF	20% 50V
C3109	1-163-021-11	CERAMIC CHIP 0.01uF	10% 50V
C3110	1-163-021-11	CERAMIC CHIP 0.01uF	10% 50V
C3111	1-163-021-11	CERAMIC CHIP 0.01uF	10% 50V
C3112	1-163-257-11	CERAMIC CHIP 180PF	5% 50V
C3113	1-163-021-11	CERAMIC CHIP 0.01uF	10% 50V
C3114	1-163-021-11	CERAMIC CHIP 0.01uF	10% 50V
C3115	1-163-021-11	CERAMIC CHIP 0.01uF	10% 50V
C3116	1-165-319-11	CERAMIC CHIP 0.1uF	50V
C3117	1-104-665-11	ELECT 100uF	20% 25V
C3118	1-163-235-11	CERAMIC CHIP 22PF	5% 50V
C3119	1-163-229-11	CERAMIC CHIP 12PF	5% 50V

Ref. No.	Part No.	Description	Remark
C3120	1-126-947-11	ELECT 47uF	20% 35V
C3121	1-165-319-11	CERAMIC CHIP 0.1uF	50V
C3123	1-104-665-11	ELECT 100uF	20% 25V
C3124	1-163-235-11	CERAMIC CHIP 22PF	5% 50V
C3125	1-163-229-11	CERAMIC CHIP 12PF	5% 50V
C3126	1-130-495-00	MYLAR 0.1uF	5% 50V
C3127	1-163-245-11	CERAMIC CHIP 56PF	5% 50V
C3128	1-126-961-11	ELECT 2.2uF	20% 50V
C3129	1-163-021-11	CERAMIC CHIP 0.01uF	10% 50V
C3130	1-126-963-11	ELECT 4.7uF	20% 50V
C3131	1-163-021-11	CERAMIC CHIP 0.01uF	10% 50V
C3132	1-163-131-00	CERAMIC CHIP 390PF	5% 50V
C3133	1-163-135-00	CERAMIC CHIP 560PF	5% 50V
C3134	1-126-959-11	ELECT 0.47uF	20% 50V
C3135	1-163-231-11	CERAMIC CHIP 15PF	5% 50V
C3136	1-165-319-11	CERAMIC CHIP 0.1uF	50V
C3137	1-165-319-11	CERAMIC CHIP 0.1uF	50V
C3138	1-126-947-11	ELECT 47uF	20% 35V
< CONNECTOR >			
CN3101	1-766-724-11	CONNECTOR, BOARD TO BOARD 7P	
< FERRITE BEAD >			
FB3101	1-469-152-11	FERRITE, EMI (SMD) (2012)	
FB3102	1-469-152-11	FERRITE, EMI (SMD) (2012)	
FB3103	1-469-152-11	FERRITE, EMI (SMD) (2012)	
< IC >			
IC3100	8-759-678-99	IC TC90A45F	
IC3101	8-759-826-19	IC MM1093NF	
< JUMPER RESISTOR >			
JW3121	1-216-295-00	SHORT CHIP 0	
JW3122	1-216-295-00	SHORT CHIP 0	
JW3123	1-216-295-00	SHORT CHIP 0	
< COIL >			
L3100	1-412-064-11	INDUCTOR 100uH	
L3101	1-412-011-31	INDUCTOR 27uH	
L3102	1-412-064-11	INDUCTOR 100uH	
L3103	1-412-011-31	INDUCTOR 27uH	
L3104	1-412-011-31	INDUCTOR 27uH	
L3105	1-414-194-11	INDUCTOR 33uH	
< TRANSISTOR >			
Q3100	8-729-230-49	TRANSISTOR 2SC2712-YG	
Q3101	8-729-230-49	TRANSISTOR 2SC2712-YG	
Q3102	8-729-216-22	TRANSISTOR 2SA1162-G	
Q3103	8-729-230-49	TRANSISTOR 2SC2712-YG	
Q3104	8-729-230-49	TRANSISTOR 2SC2712-YG	
Q3105	8-729-230-49	TRANSISTOR 2SC2712-YG	
Q3106	8-729-216-22	TRANSISTOR 2SA1162-G	
Q3107	8-729-216-22	TRANSISTOR 2SA1162-G	
Q3108	8-729-230-49	TRANSISTOR 2SC2712-YG	
Q3109	8-729-230-49	TRANSISTOR 2SC2712-YG	
Q3110	8-729-230-49	TRANSISTOR 2SC2712-YG	

UP CONVERT

VOL

Ref. No.	Part No.	Description	Remark
Q3111	8-729-216-22	TRANSISTOR	2SA1162-G
Q3112	8-729-216-22	TRANSISTOR	2SA1162-G
< RESISTOR >			
R3101	1-216-051-00	RES-CHIP	1.2K 5% 1/10W
R3102	1-216-069-00	RES-CHIP	6.8K 5% 1/10W
R3103	1-216-043-00	RES-CHIP	560 5% 1/10W
R3104	1-216-051-00	RES-CHIP	1.2K 5% 1/10W
R3105	1-216-047-00	RES-CHIP	820 5% 1/10W
R3106	1-216-047-00	RES-CHIP	820 5% 1/10W
R3107	1-216-075-00	RES-CHIP	12K 5% 1/10W
R3108	1-216-043-00	RES-CHIP	560 5% 1/10W
R3110	1-216-047-00	RES-CHIP	820 5% 1/10W
R3111	1-216-047-00	RES-CHIP	820 5% 1/10W
R3112	1-216-043-00	RES-CHIP	560 5% 1/10W
R3113	1-216-051-00	RES-CHIP	1.2K 5% 1/10W
R3114	1-216-069-00	RES-CHIP	6.8K 5% 1/10W
R3115	1-216-043-00	RES-CHIP	560 5% 1/10W
R3116	1-216-051-00	RES-CHIP	1.2K 5% 1/10W
R3117	1-216-047-00	RES-CHIP	820 5% 1/10W
R3118	1-216-025-11	RES-CHIP	100 5% 1/10W
R3120	1-216-075-00	RES-CHIP	12K 5% 1/10W
R3121	1-216-043-00	RES-CHIP	560 5% 1/10W
R3122	1-260-354-71	CARBON	150K 5% 1/2W
R3123	1-216-047-00	RES-CHIP	820 5% 1/10W
R3124	1-216-043-00	RES-CHIP	560 5% 1/10W
R3125	1-216-051-00	RES-CHIP	1.2K 5% 1/10W
R3126	1-216-069-00	RES-CHIP	6.8K 5% 1/10W
R3127	1-216-043-00	RES-CHIP	560 5% 1/10W
R3128	1-216-051-00	RES-CHIP	1.2K 5% 1/10W
R3129	1-216-047-00	RES-CHIP	820 5% 1/10W
R3130	1-216-025-11	RES-CHIP	100 5% 1/10W
R3131	1-216-039-00	RES-CHIP	390 5% 1/10W
R3132	1-216-075-00	RES-CHIP	12K 5% 1/10W
R3133	1-216-043-00	RES-CHIP	560 5% 1/10W
R3134	1-260-354-71	CARBON	150K 5% 1/2W
R3136	1-216-073-00	RES-CHIP	10K 5% 1/10W
R3137	1-216-073-00	RES-CHIP	10K 5% 1/10W
R3138	1-216-067-00	RES-CHIP	5.6K 5% 1/10W
R3139	1-216-077-00	RES-CHIP	15K 5% 1/10W
R3140	1-216-121-11	RES-CHIP	1M 5% 1/10W
R3141	1-216-039-00	RES-CHIP	390 5% 1/10W
R3142	1-216-022-00	RES-CHIP	75 5% 1/10W
R3143	1-216-022-00	RES-CHIP	75 5% 1/10W
R3144	1-216-049-11	RES-CHIP	1K 5% 1/10W
R3145	1-216-045-00	RES-CHIP	680 5% 1/10W
R3146	1-216-035-00	RES-CHIP	270 5% 1/10W
< VIBRATOR >			
X3100	1-781-342-21	OSCILLATOR, CRYSTAL (3.5795MHz)	
*****			
	1-688-601-11	VOL BOARD *****	
< CONNECTOR >			
CN1060	1-779-978-11	PIN, CONNECTOR 3P	

Ref. No.	Part No.	Description	Remark
< VARIABLE RESISTOR >			
RV1060	1-418-725-41	ENCODER, ROTARY (12 TYPE) (MASTER VOLUME)	
*****			
MISCELLANEOUS *****			
57	1-773-297-11	WIRE (FLAT TYPE) (29 CORE)	
63	1-500-472-11	CORE, FERRITE (STR-DA2000ES)	
153	1-400-550-11	FILTER, CLAMP	
△ 154	1-769-744-11	CORD, POWER (EXCEPT US, CND)	
△ 154	1-783-820-11	CORD, POWER (US, CND)	
202	1-769-875-11	WIRE (FLAT TYPE) (7 CORE) (STR-DA2000ES)	
203	1-769-969-11	WIRE (FLAT TYPE) (13 CORE)	
206	1-769-937-11	WIRE (FLAT TYPE) (11 CORE) (EXCEPT STR-DB2000: AEP, UK)	
206	1-773-001-11	WIRE (FLAT TYPE) (15 CORE) (STR-DB2000: AEP, UK)	
254	1-500-051-11	CORE, FERRITE	
255	1-469-241-11	CORE, FERRITE	
256	1-469-969-11	CLAMP, FERRITE (STR-DA2000ES)	
257	1-500-603-11	CLAMP, FERRITE (STR-DA2000ES)	
303	1-469-969-11	CLAMP, FERRITE	
304	1-773-220-11	WIRE (FLAT TYPE) (25 CORE)	
306	1-500-169-11	CORE (FPC) (STR-DA200ES)	
IC904	8-759-231-53	IC TA7805S	
IC905	8-759-071-48	IC TA7807S	
IC906	8-759-245-79	IC TA79005S	
IC909	8-759-445-59	IC BA033T	
IC910	8-759-231-53	IC TA7805S	
Q904	6-550-625-01	TRANSISTOR 2SK 1381	
Q909	6-702-390-01	IC MN2488-OPY-MK	
TU2051	1-693-577-31	TUNER (STR-DA2000ES)	
TU2051	1-693-578-41	TUNER (STR-DB2000: AEP, UK)	
TU2051	1-693-641-11	TUNER (STR-DB2000: SP, MY)	
*****			
ACCESSORIES *****			
	1-477-793-11	COMMANDER, STANDARD (RM-PP412) (STR-DB2000)	
	1-477-843-11	COMMANDER, STANDARD (RM-LG112) (STR-DA2000ES)	
	1-501-594-14	ANTENNA (FM) (STR-DB2000)	
	1-754-149-11	LOOP ANT (AM)	
	1-793-184-23	CONNECTOR (F TYPE ADAPTOR) (FM) (STR-DA2000ES)	
	3-071-119-01	COVER, BATTERY (for RM-LG112/RM-PP412)	
	4-247-241-13	MANUAL, INSTRUCTION (ENGLISH)	
	4-247-241-23	MANUAL, INSTRUCTION (FRENCH) (CND, AEP, SP, MY)	
	4-247-241-33	MANUAL, INSTRUCTION (SPANISH) (AEP, SP, MY)	
	4-247-241-43	MANUAL, INSTRUCTION (GERMAN, DUTCH, ITALIAN) (AEP)	
	4-247-241-53	MANUAL, INSTRUCTION (SWEDISH, POLISH) (AEP)	
	4-247-241-63	MANUAL, INSTRUCTION (TRADITIONAL CHINESE) (SP, MY)	
	4-247-242-11	MANUAL, INSTRUCTION (POLTUGUESE) (AEP)	

The components identified by mark △ or dotted line with mark △ are critical for safety. Replace only with part number specified.

Les composants identifiés par une marque △ sont critiques pour la sécurité. Ne les remplacer que par une pièce portant le numéro spécifié.

# STR-DA2000ES/DB2000

<u>Ref. No.</u>	<u>Part No.</u>	<u>Description</u>	<u>Remark</u>
	4-247-242-21	MANUAL, INSTRUCTION (DANISH, FINNISH) (AEP)	
	4-247-242-31	MANUAL, INSTRUCTION (RUSSIAN) (AEP)	
	4-247-242-41	MANUAL, INSTRUCTION (GREEK) (AEP)	
	4-247-242-51	MANUAL, INSTRUCTION (HUNGARIAN, CZECH) (AEP)	
	4-247-242-61	MANUAL, INSTRUCTION (TURKISH) (AEP)	
	4-247-242-71	MANUAL, INSTRUCTION (SLOVAKIAN) (AEP)	
	4-247-243-11	MANUAL, INSTRUCTION (for RM-2G112) (ENGLISH) (US, CND)	
	4-247-243-21	MANUAL, INSTRUCTION (for RM-2G112) (FRENCH) (CND)	
	4-247-244-11	MANUAL, INSTRUCTION (for RM-PP412) (ENGLISH) (AEP, UK, SP, MY)	
	4-247-244-21	MANUAL, INSTRUCTION (for RM-PP412) (FRENCH) (AEP, SP, MY)	
	4-247-244-31	MANUAL, INSTRUCTION (for RM-PP412) (SPANISH) (AEP, SP, MY)	
	4-247-244-41	MANUAL, INSTRUCTION (for RM-PP412) (GERMAN, DUTCH, SWEDISH, I TALIAN, POLISH) (AEP)	
	4-247-244-51	MANUAL, INSTRUCTION (for RM-PP412) (TRADITIONAL CHINESE) (SP, MY)	
	4-247-244-71	MANUAL, INSTRUCTION (for RM-PP412) (POLTUGUESE, DANISH, FINNISH, RUSSIAN) (AEP)	
	4-247-244-81	MANUAL, INSTRUCTION (for RM-PP412) (GREEK, HUNGALIAN, CZECH, TURKISH, SLOVAKIAN) (AEP)	

# STR-DA2000ES/DB2000

SONY®

## SERVICE MANUAL

Ver 1.1 2003.12

US Model  
Canadian Model  
STR-DA2000ES  
AEP Model  
UK Model  
E Model  
STR-DB2000

### SUPPLEMENT-1

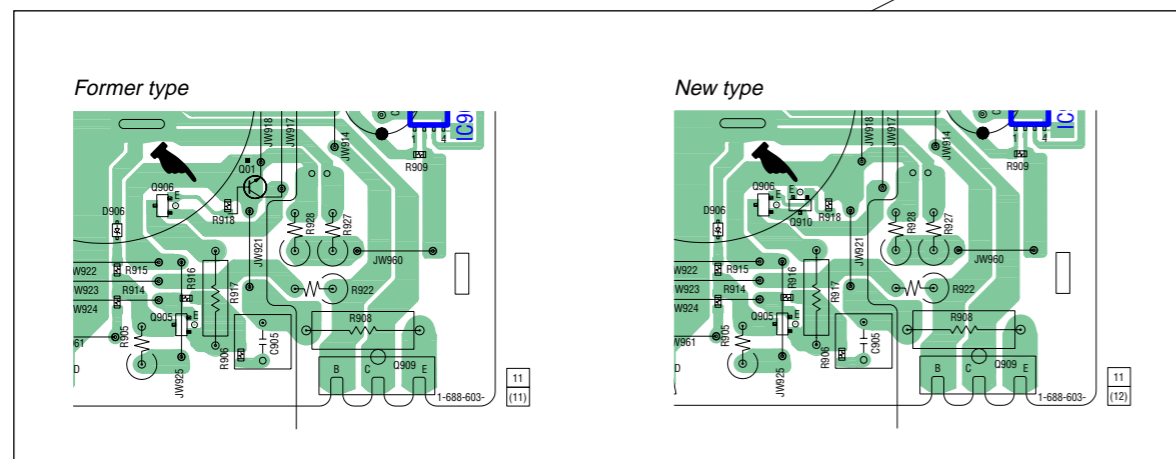
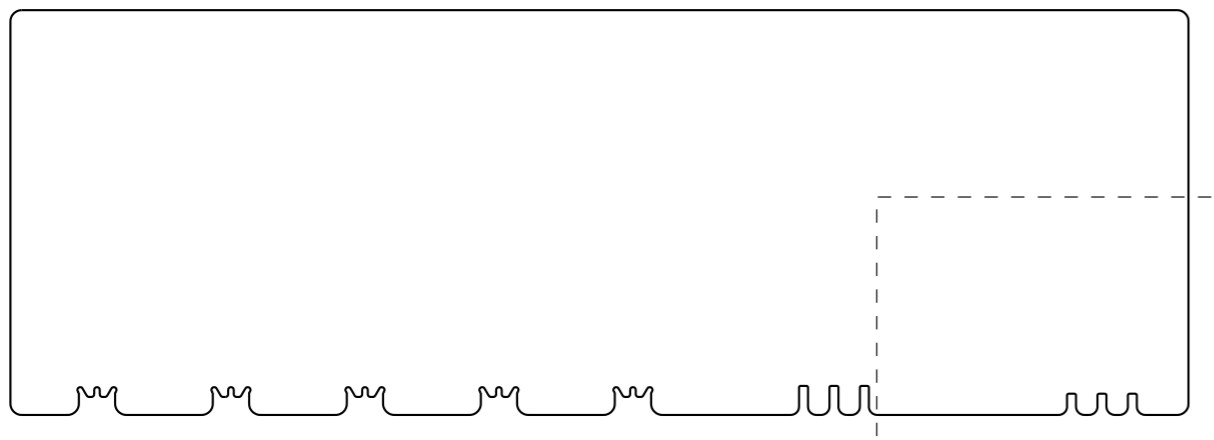
Subject: Change of CIS, DISPLAY, FUNCTION, HP-V3, REG, S-VIDEO, TH and VOL boards

(ECN-TAC12992)

#### • NEW/FORMER TYPE DESCRIPTION

New/former type of the CIS, DISPLAY, FUNCTION, HP-V3, REG, S-VIDEO, TH and VOL boards is discriminated by difference of the pattern.

#### – REG BOARD (Conductor Side) –



## 1. DIAGRAMS

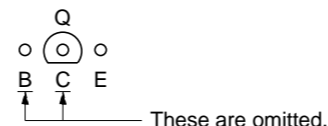
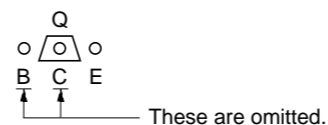
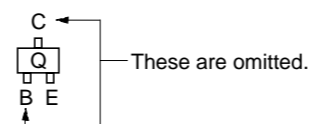
### 1-1. NOTE FOR PRINTED WIRING BOARDS AND SCHEMATIC DIAGRAMS

#### Note on Printed Wiring Boards:

- : parts extracted from the component side.
- : parts extracted from the conductor side.
- △ : internal component.
- : Pattern from the side which enables seeing. (The other layers' patterns are not indicated.)

Caution:  
Pattern face side: Parts on the pattern face side seen from the pattern face are indicated.  
Parts face side: Parts on the parts face side seen from the parts face are indicated.

- Indication of transistor.



#### Note on Schematic Diagram:

- All capacitors are in  $\mu\text{F}$  unless otherwise noted. pF:  $\mu\text{F}$  50 WV or less are not indicated except for electrolytics and tantalums.
- All resistors are in  $\Omega$  and  $1/4\text{W}$  or less unless otherwise specified.
- △ : internal component.
- : nonflammable resistor.
- : panel designation.

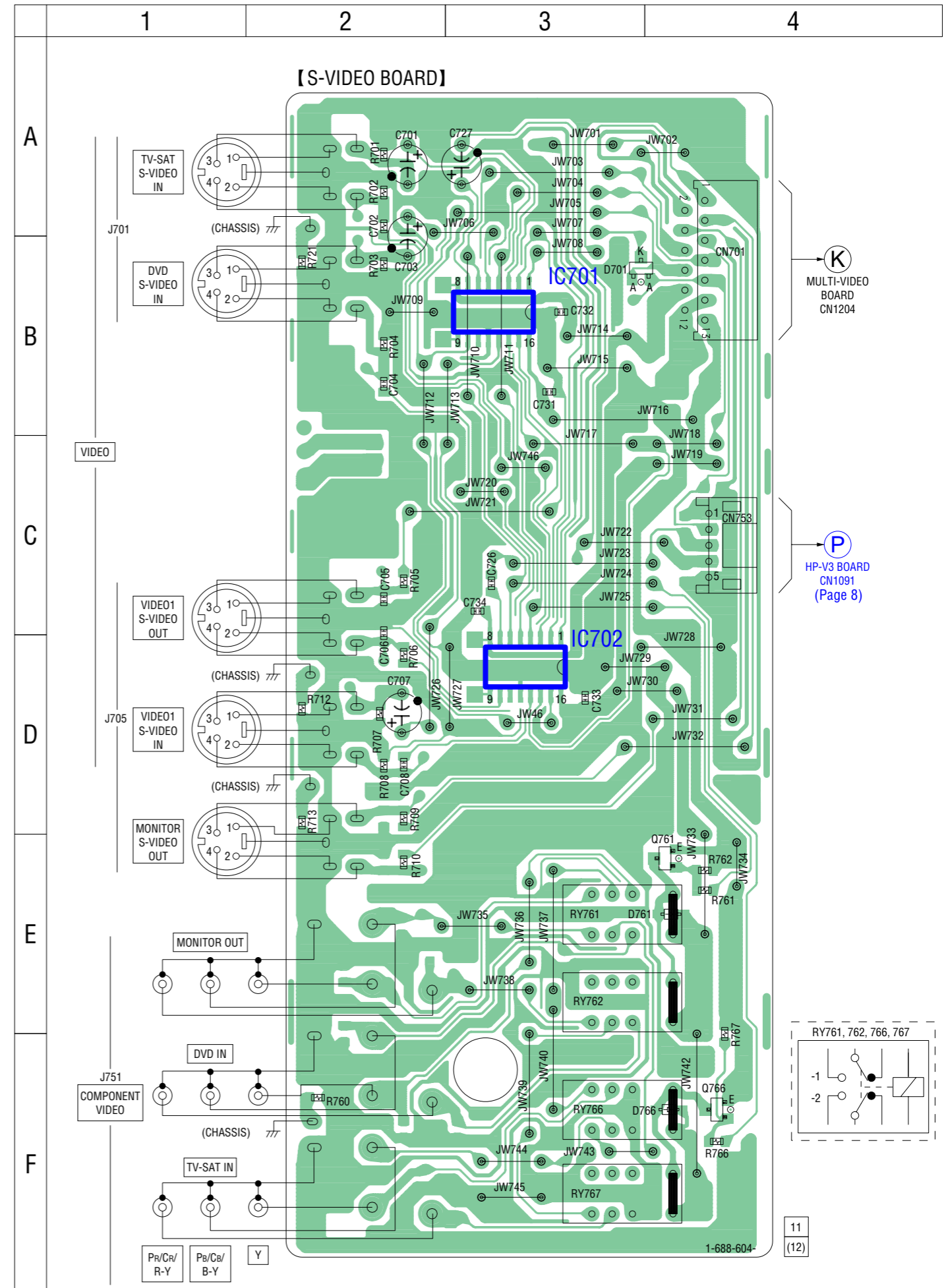
<b>Note:</b> The components identified by mark △ or dotted line with mark △ are critical for safety. Replace only with part number specified.	<b>Note:</b> Les composants identifiés par une marque △ sont critiques pour la sécurité. Ne les remplacer que par une pièce portant le numéro spécifié.
--	--

- : B+ Line.
- : B- Line.
- Voltages are taken with a VOM (Input impedance 10 M $\Omega$ ). Voltage variations may be noted due to normal production tolerances.
- Signal path.
  - ➡ : TUNER
  - ➡ : AUDIO (ANALOG)
  - ➡ : AUDIO (DIGITAL)
  - ➡ : VIDEO

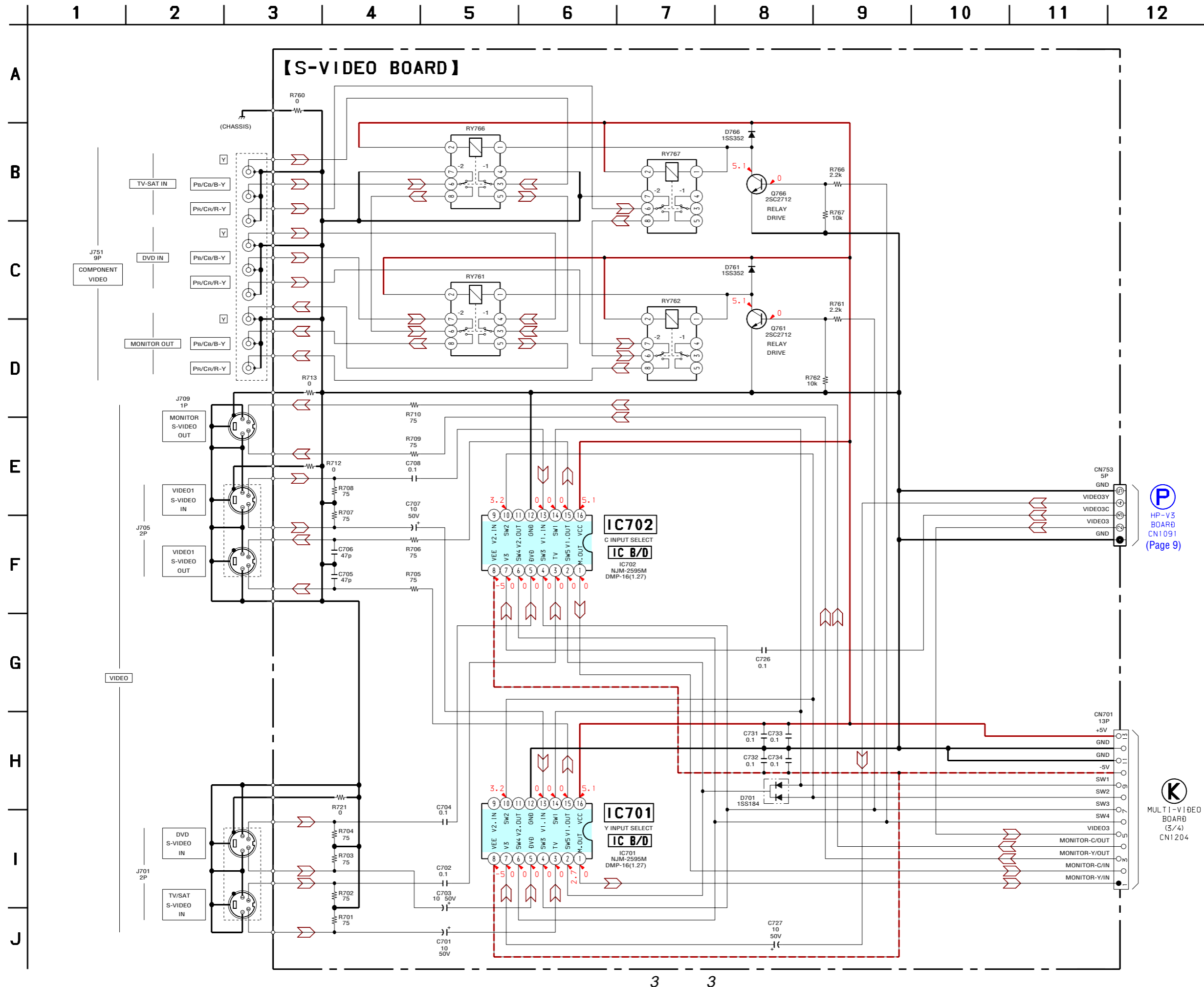
1-2. PRINTED WIRING BOARD – S-VIDEO Board –  :Uses unleaded solder.

• Semiconductor Location

Ref. No.	Location
D701	B-3
D761	E-4
D766	F-4
IC701	B-3
IC702	D-3
Q761	E-4
Q766	F-4



1-3. SCHEMATIC DIAGRAM - S-VIDEO Board -



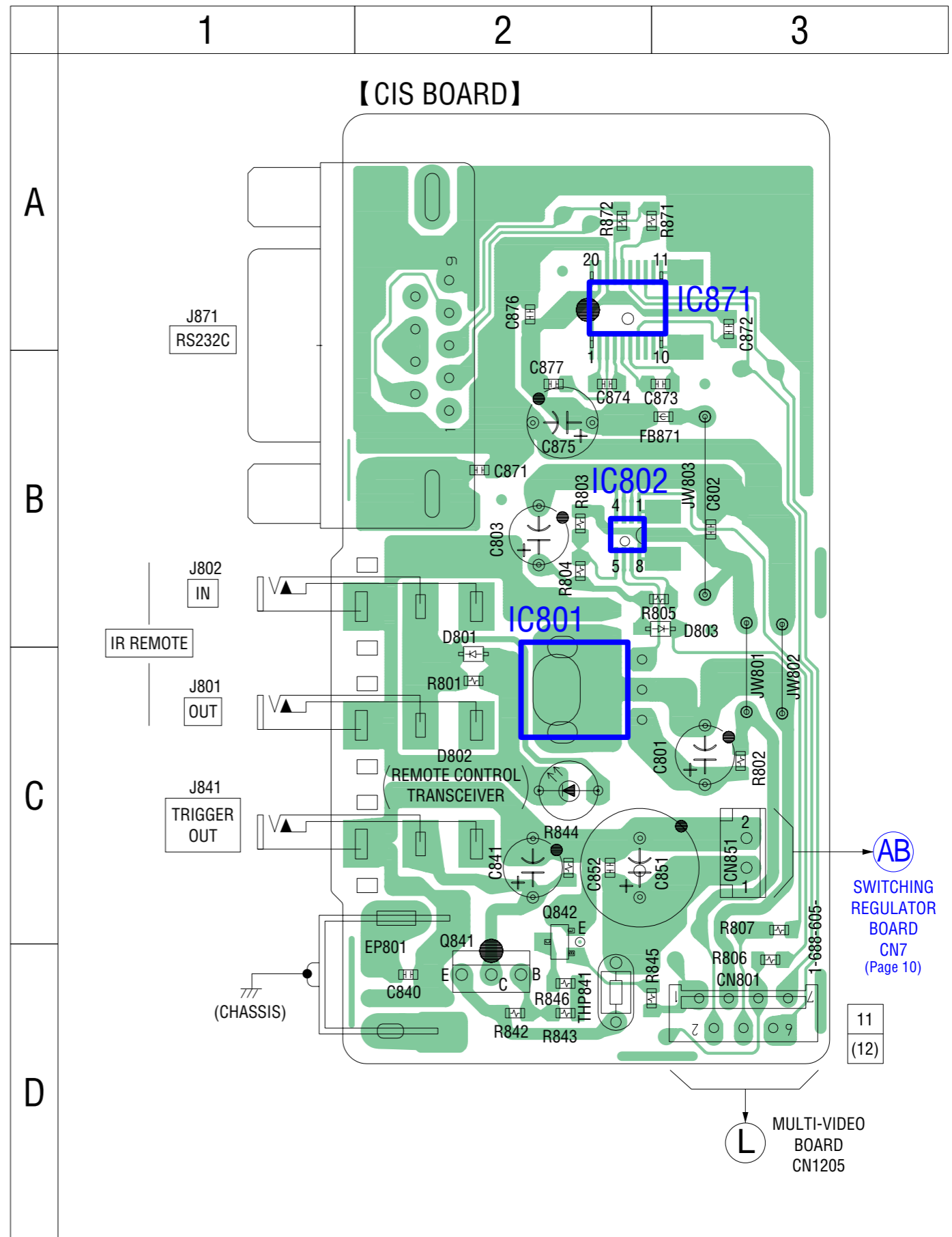
**P**  
HP-V3  
BOARD  
CN1091  
(Page 9)

**K**  
MULTI-VIDEO  
BOARD  
(5/4)  
CN1204

1-4. PRINTED WIRING BOARD – CIS Board (STR-DA2000ES only) –  :Uses unleaded solder.

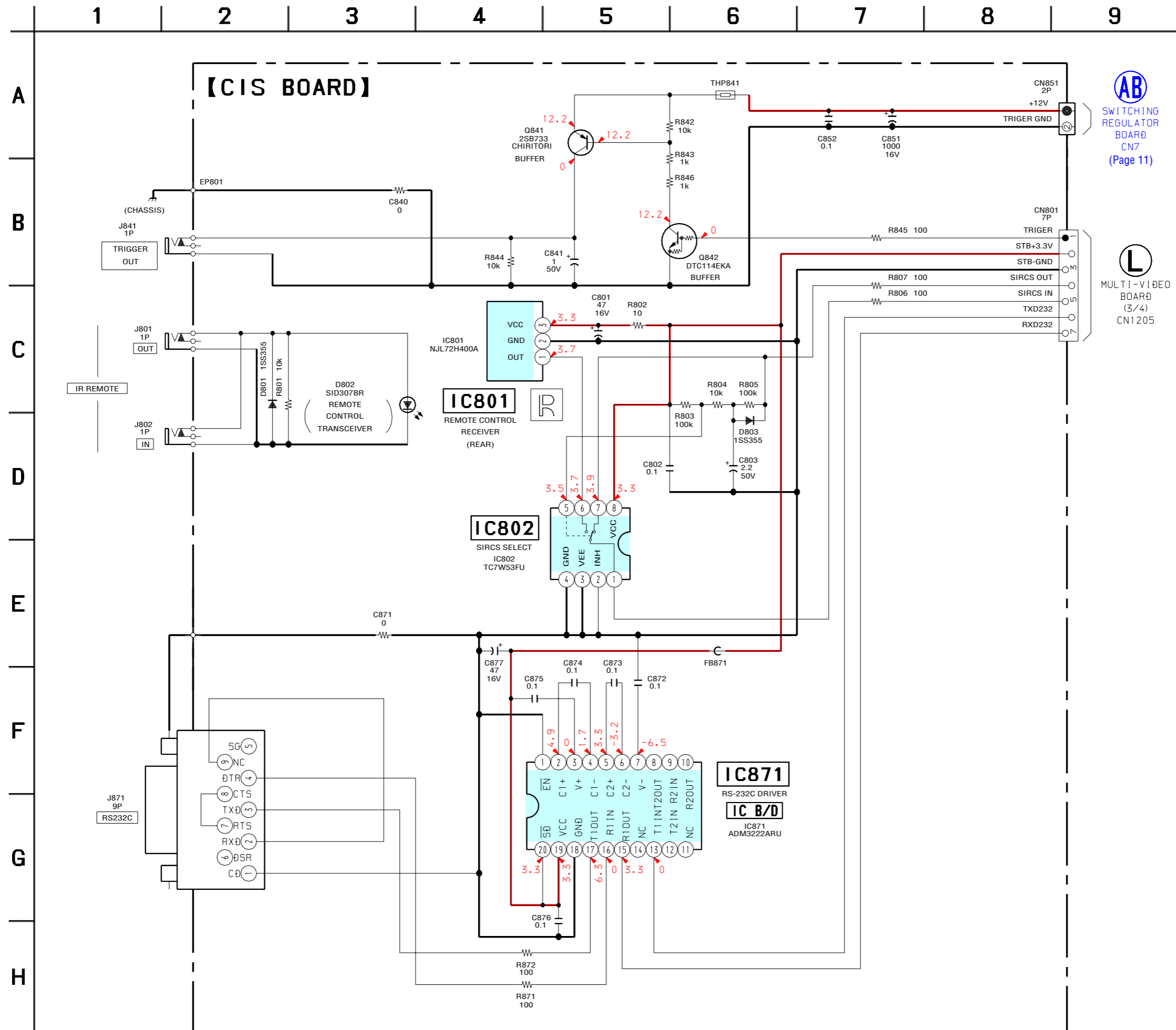
• Semiconductor Location

Ref. No.	Location
D801	C-2
D802	C-2
D803	B-3
IC801	C-2
IC802	B-2
IC871	B-1
Q841	D-2
Q842	C-2





1-5. SCHEMATIC DIAGRAM – CIS Board (STR-DA2000ES only) –

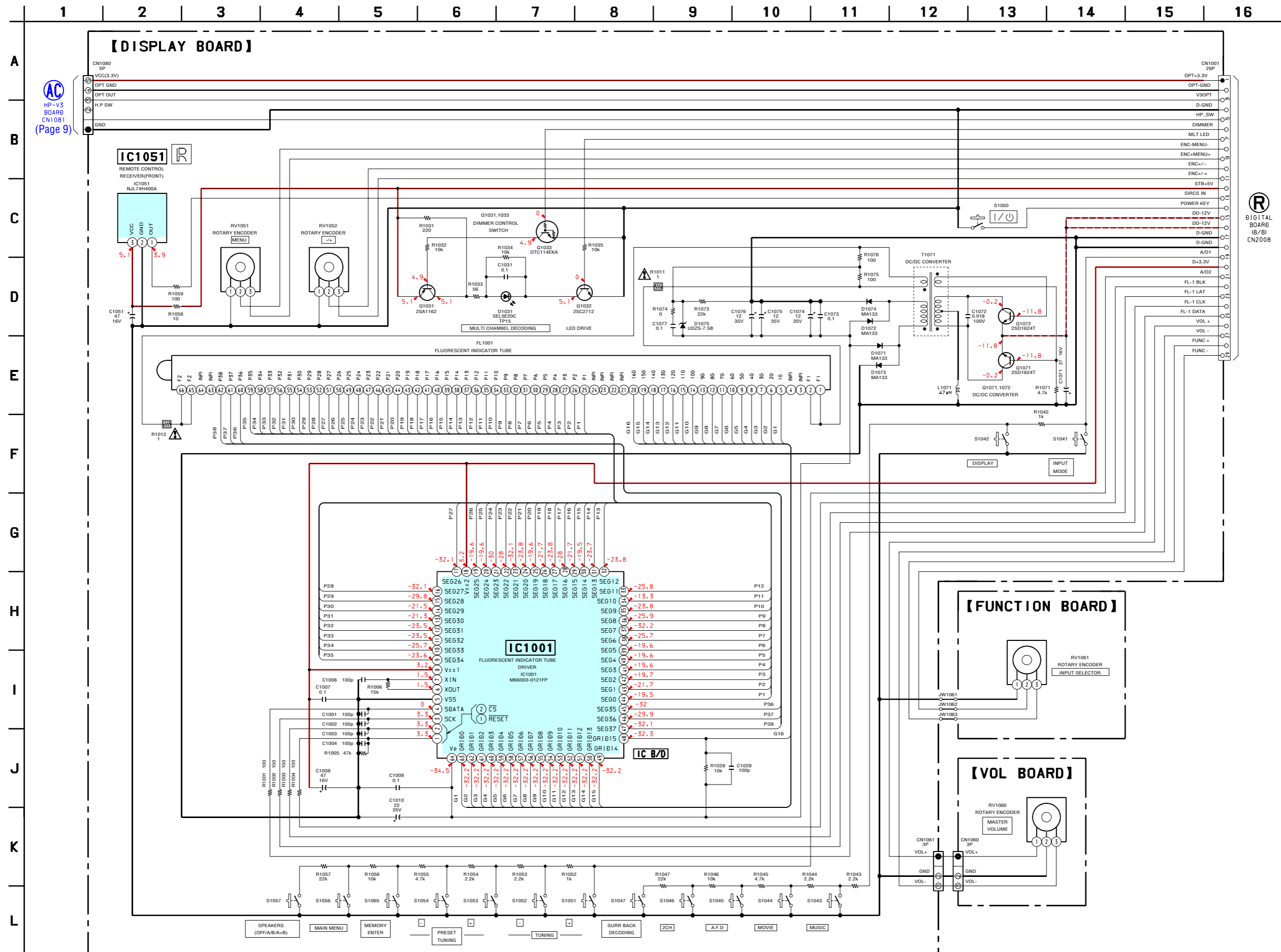


**AB**  
SWITCHING  
REGULATOR  
BOARD  
CN7  
(Page 11)

**L**  
MULTI-VIDEO  
BOARD  
(3/4)  
CN1205




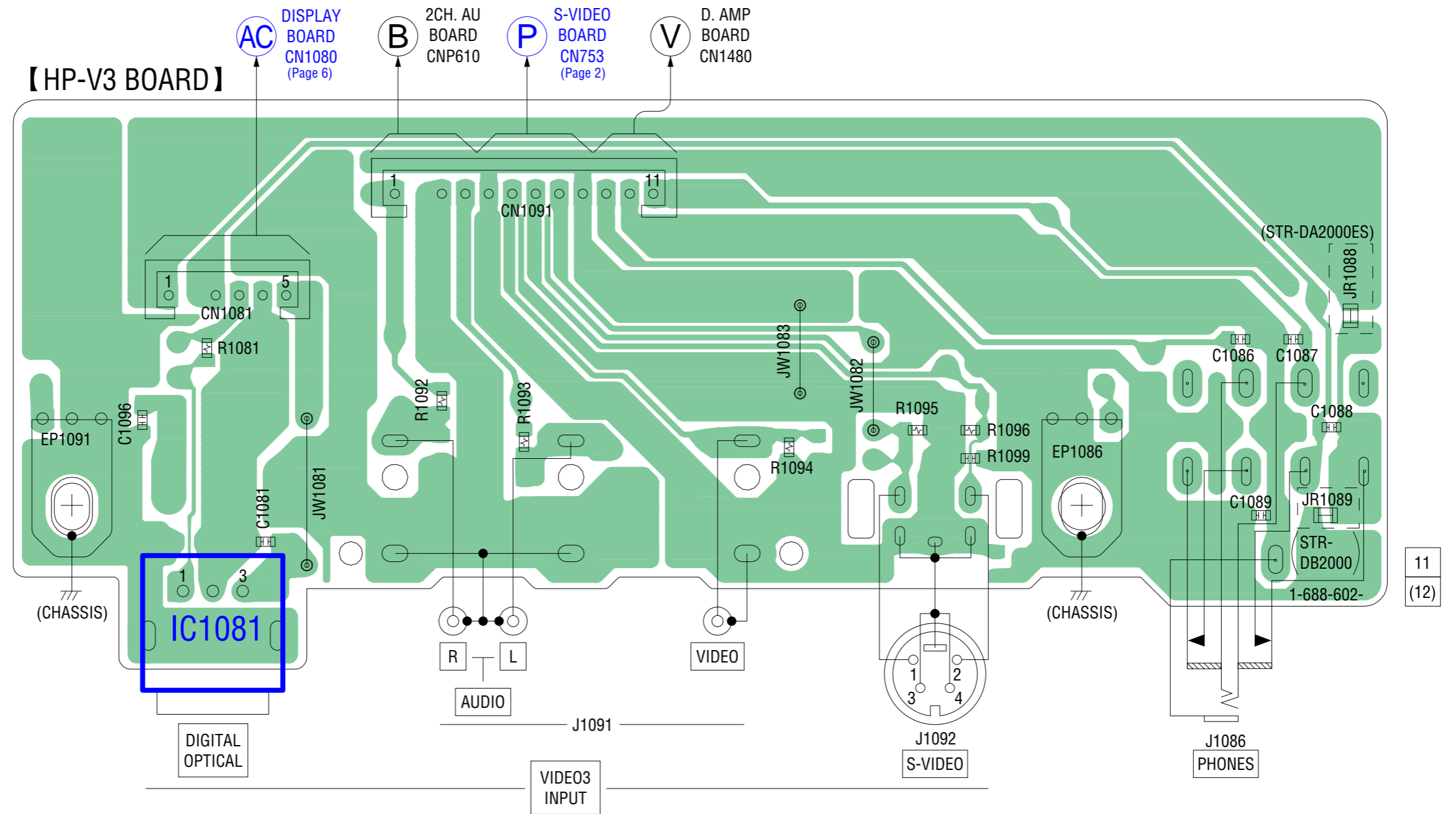
1-7. SCHEMATIC DIAGRAM – PANEL Section –



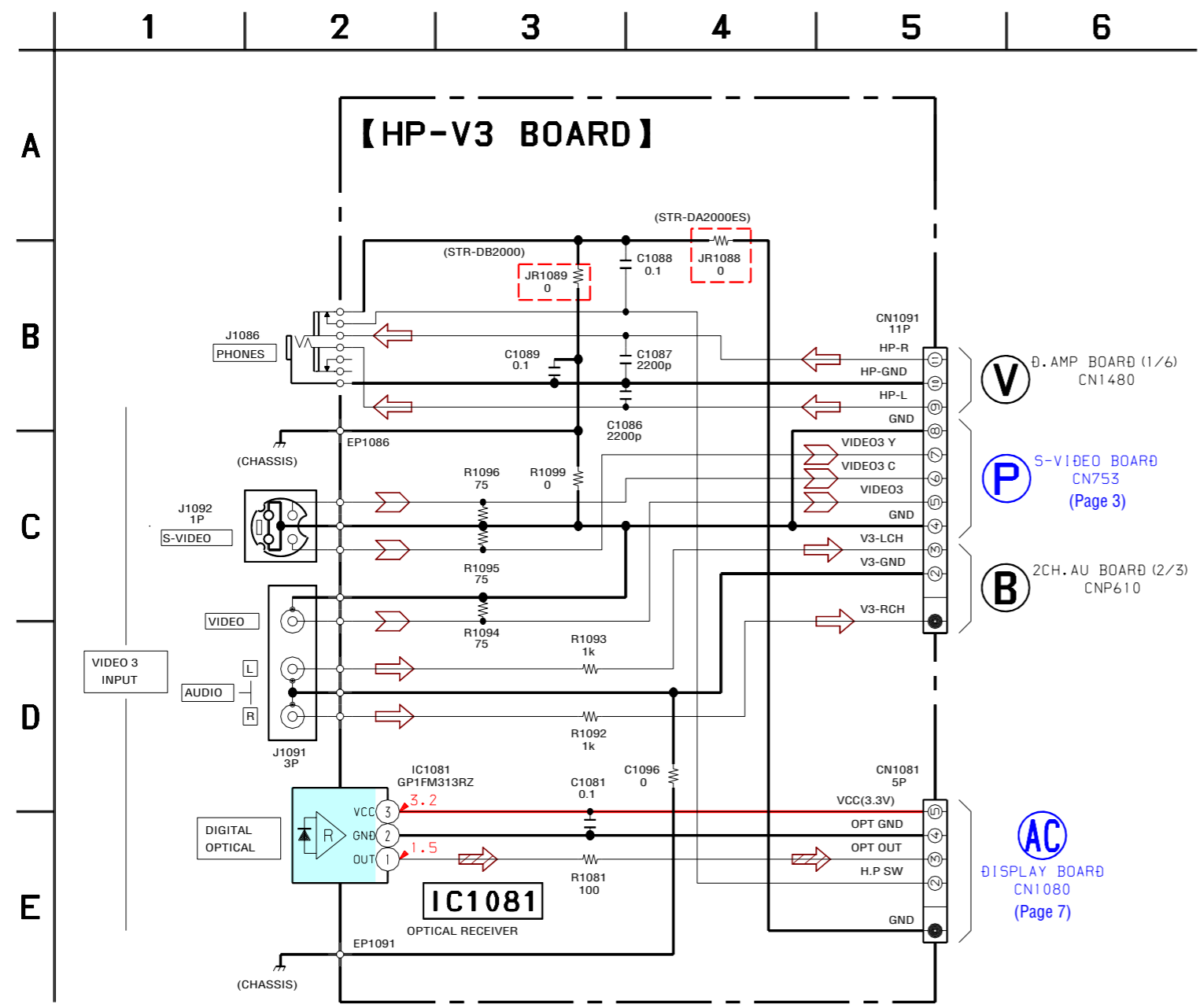
The components identified by mark  $\Delta$  or dotted line with mark  $\Delta$  are critical for safety. Replace only with part number specified.

Les composants identifiés par une marque  $\Delta$  sont critiques pour la sécurité. Ne les remplacer que par une pièce portant le numéro spécifié.

1-8. PRINTED WIRING BOARD – HP-V3 Board –  :Uses unleaded solder.



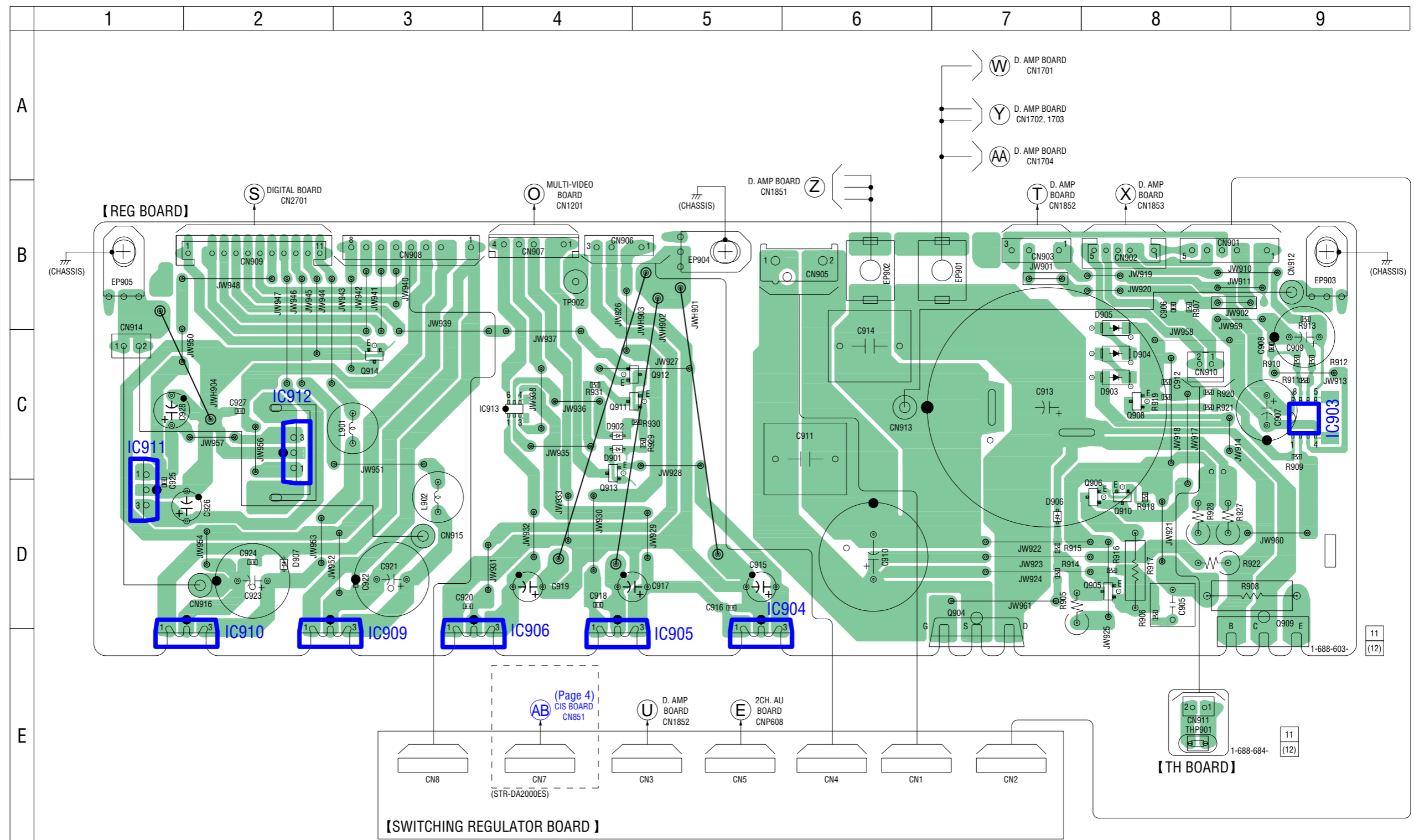
1-9. SCHEMATIC DIAGRAM – HP-V3 Board –



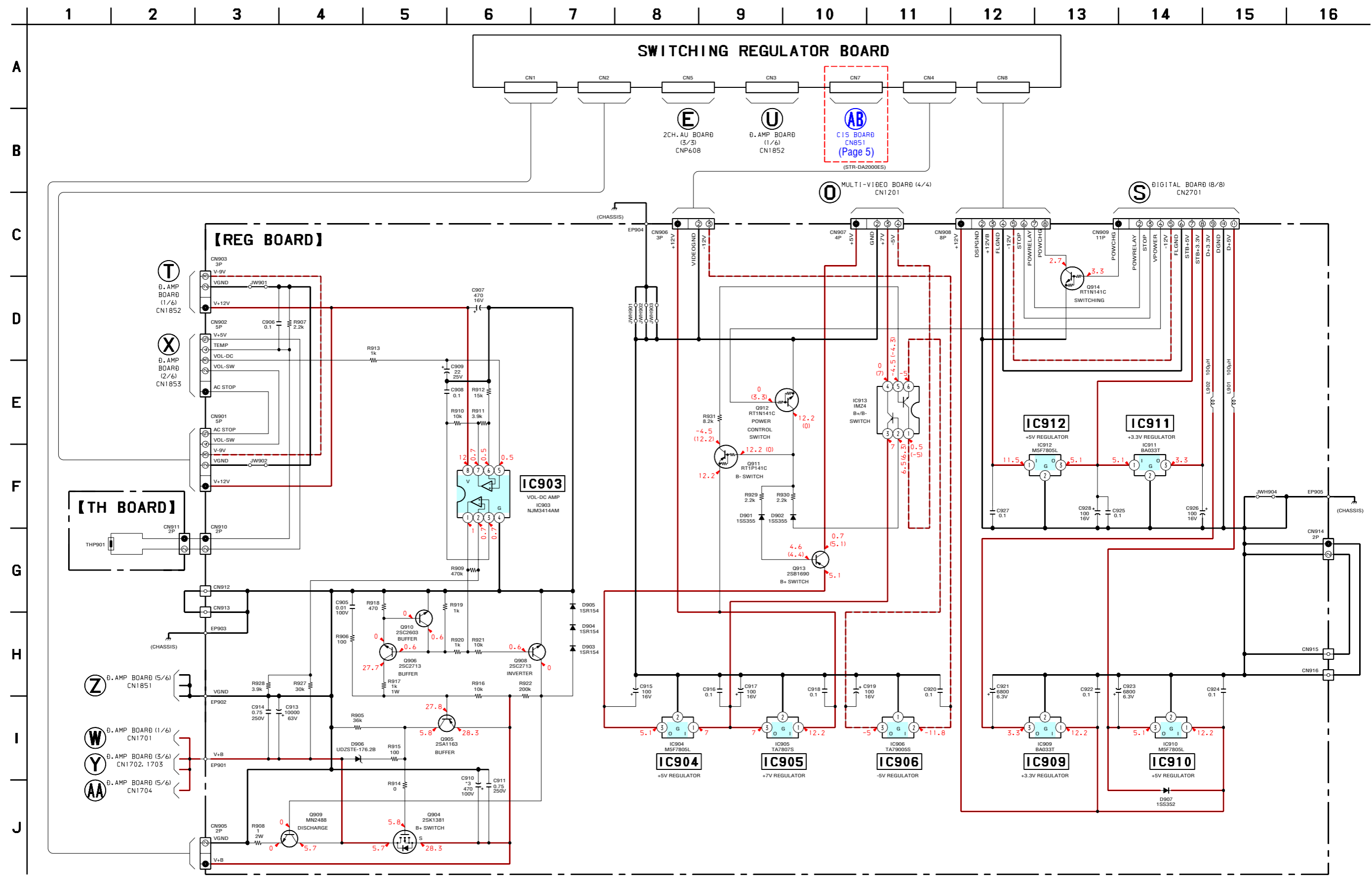
1-10. PRINTED WIRING BOARD – REG Board –  :Uses unleaded solder.

• Semiconductor Location

Ref. No.	Location
D901	C-4
D902	C-4
D903	C-8
D904	C-8
D905	B-8
D906	D-7
D907	D-2
IC903	C-9
IC904	E-5
IC905	E-4
IC906	C-3
IC909	E-2
IC910	E-2
IC911	D-1
IC912	C-2
IC913	C-4
Q904	E-7
Q905	D-8
Q906	D-8
Q908	C-8
Q909	E-9
Q910	D-8
Q911	C-5
Q912	C-5
Q913	C-4
Q914	C-3



1-11. SCHEMATIC DIAGRAM – REG Board –



MEMO



2. ELECTRICAL PARTS LIST

CIS DISPLAY

NOTE:

- Due to standardization, replacements in the parts list may be different from the parts specified in the diagrams or the components used on the set.
- -XX and -X mean standardized parts, so they may have some difference from the original one.
- RESISTORS  
All resistors are in ohms.  
METAL: Metal-film resistor.  
METAL OXIDE: Metal oxide-film resistor.  
F: nonflammable
- Abbreviation  
MY : Malaysia model  
SP : Singapore model

- Items marked “\*” are not stocked since they are seldom required for routine service. Some delay should be anticipated when ordering these items.
- SEMICONDUCTORS  
In each case, u:  $\mu$ , for example:  
uA. . . :  $\mu$ A. . . uPA. . . :  $\mu$ PA. . .  
uPB. . . :  $\mu$ PB. . . uPC. . . :  $\mu$ PC. . .  
uPD. . . :  $\mu$ PD. . .
- CAPACITORS  
uF:  $\mu$ F
- COILS  
uH:  $\mu$ H

The components identified by mark  $\Delta$  or dotted line with mark  $\Delta$  are critical for safety. Replace only with part number specified.

Les composants identifiés par une marque  $\Delta$  sont critiques pour la sécurité. Ne les remplacer que par une pièce portant le numéro spécifié.

When indicating parts by reference number, please include the board.

Ref. No.	Part No.	Description	Remark	Ref. No.	Part No.	Description	Remark
	A-4733-946-A	CIS BOARD, COMPLETE (STR-DA2000ES)				< TRANSISTOR >	
		*****					
		< CAPACITOR >					
C801	1-126-947-11	ELECT	47uF 20% 35V	Q841	8-729-140-93	TRANSISTOR	2SB733-34
C802	1-165-319-11	CERAMIC CHIP	0.1uF 50V	Q842	8-729-900-53	TRANSISTOR	DTC114EK
C803	1-126-961-11	ELECT	2.2uF 20% 50V			< RESISTOR >	
C840	1-216-295-00	SHORT CHIP	0	R801	1-216-073-00	RES-CHIP	10K 5% 1/10W
C841	1-126-960-11	ELECT	1uF 20% 50V	R802	1-216-001-00	RES-CHIP	10 5% 1/10W
				R803	1-216-097-11	RES-CHIP	100K 5% 1/10W
C851	1-126-767-11	ELECT	1000uF 20% 16V	R804	1-216-073-00	RES-CHIP	10K 5% 1/10W
C852	1-165-319-11	CERAMIC CHIP	0.1uF 50V	R805	1-216-097-11	RES-CHIP	100K 5% 1/10W
C871	1-216-295-00	SHORT CHIP	0	R806	1-216-025-11	RES-CHIP	100 5% 1/10W
C872	1-165-319-11	CERAMIC CHIP	0.1uF 50V	R807	1-216-025-11	RES-CHIP	100 5% 1/10W
C873	1-165-319-11	CERAMIC CHIP	0.1uF 50V	R842	1-216-073-00	RES-CHIP	10K 5% 1/10W
				R843	1-216-049-11	RES-CHIP	1K 5% 1/10W
C874	1-165-319-11	CERAMIC CHIP	0.1uF 50V	R844	1-216-073-00	RES-CHIP	10K 5% 1/10W
C875	1-165-319-11	CERAMIC CHIP	0.1uF 50V	R845	1-216-025-11	RES-CHIP	100 5% 1/10W
C876	1-165-319-11	CERAMIC CHIP	0.1uF 50V	R846	1-216-049-11	RES-CHIP	1K 5% 1/10W
C877	1-126-947-11	ELECT	47uF 20% 35V	R871	1-216-025-11	RES-CHIP	100 5% 1/10W
				R872	1-216-025-11	RES-CHIP	100 5% 1/10W
		< CONNECTOR >				< THERMISTOR (POSITIVE) >	
CN801	1-568-826-11	CONNECTOR, FFC 7P		THP841	1-801-726-11	THERMISTOR, POSITIVE	
		< DIODE >				*****	
D801	8-719-988-61	DIODE 1SS355TE-17			A-4733-935-A	DISPLAY BOARD, COMPLETE	
D802	8-719-075-86	LED SID307BRTP19				*****	
		(REMOTE CONTROL TRANSCEIVER)			4-246-462-01	HOLDER (FL)	
D803	8-719-988-61	DIODE 1SS355TE-17		*	4-921-941-01	CUSHION (FL)	
		< FERRITE BEAD >				< CAPACITOR >	
FB871	1-469-152-11	FERRITE, EMI (SMD) (2012)					
		< IC >		C1001	1-163-251-11	CERAMIC CHIP	100PF 5% 50V
IC801	8-759-826-32	IC NJL72H400A		C1002	1-163-251-11	CERAMIC CHIP	100PF 5% 50V
IC802	8-759-564-49	IC TC7W53FU (TE12R)		C1003	1-163-251-11	CERAMIC CHIP	100PF 5% 50V
IC871	8-759-663-90	IC ADM3222ARU-REEL		C1004	1-163-251-11	CERAMIC CHIP	100PF 5% 50V
		< JACK >		C1006	1-163-251-11	CERAMIC CHIP	100PF 5% 50V
J801	1-563-330-11	JACK (IR REMOTE OUT)		C1007	1-165-319-11	CERAMIC CHIP	0.1uF 50V
J802	1-563-330-11	JACK (IR REMOTE IN)		C1008	1-126-786-11	ELECT	47uF 20% 16V
J841	1-563-330-11	JACK (TRIGGER OUT)		C1009	1-165-319-11	CERAMIC CHIP	0.1uF 50V
J871	1-815-737-11	CONNECTOR, (D) SUB 9P (RS232C)		C1010	1-126-796-11	ELECT	22uF 20% 50V
				C1029	1-163-251-11	CERAMIC CHIP	100PF 5% 50V
				C1031	1-165-319-11	CERAMIC CHIP	0.1uF 50V
				C1051	1-126-786-11	ELECT	47uF 20% 16V
				C1071	1-124-596-11	ELECT	27uF 20% 16V

# STR-DA2000ES/DB2000

**DISPLAY**

**FUNCTION**

**HP-V3**

Ref. No.	Part No.	Description	Remark
C1072	1-137-462-11	MYLAR 0.018uF 5%	100V
C1073	1-165-319-11	CERAMIC CHIP 0.1uF	50V
C1074	1-126-321-91	ELECT 12uF 20%	35V
C1075	1-126-321-91	ELECT 12uF 20%	35V
C1076	1-126-321-91	ELECT 12uF 20%	35V
C1077	1-165-319-11	CERAMIC CHIP 0.1uF	50V
< CONNECTOR >			
CN1001	1-568-844-11	CONNECTOR, FFC 29P	
< DIODE >			
D1031	8-719-084-07	LED SEL5E20CTP15 (MULTI CHANNEL DECODING)	
D1071	8-719-041-97	DIODE MA113- (TX)	
D1072	8-719-041-97	DIODE MA113- (TX)	
D1073	8-719-041-97	DIODE MA113- (TX)	
D1074	8-719-041-97	DIODE MA113- (TX)	
D1075	8-719-056-84	DIODE Udz-TE-17-7.5B	
< FILTER >			
FL1001	1-518-870-11	INDICATOR TUBE, FLUORESCENT	
< IC >			
IC1001	6-704-198-01	IC M66003-0121FP	
IC1051	8-759-826-34	IC NJL74H400A	
< COIL >			
L1071	1-456-516-11	INDUCTOR 47uH	
< TRANSISTOR >			
Q1031	8-729-216-22	TRANSISTOR 2SA1162-G	
Q1032	8-729-230-49	TRANSISTOR 2SC2712-YG	
Q1033	8-729-900-53	TRANSISTOR DTC114EK	
Q1071	8-729-808-42	TRANSISTOR 2SD1624-T	
Q1072	8-729-808-42	TRANSISTOR 2SD1624-T	
< RESISTOR >			
R1001	1-216-025-11	RES-CHIP 100 5%	1/10W
R1002	1-216-025-11	RES-CHIP 100 5%	1/10W
R1003	1-216-025-11	RES-CHIP 100 5%	1/10W
R1004	1-216-025-11	RES-CHIP 100 5%	1/10W
R1005	1-216-089-11	RES-CHIP 47K 5%	1/10W
R1006	1-216-077-00	RES-CHIP 15K 5%	1/10W
△R1011	1-249-381-11	CARBON 1 5%	1/4W F
△R1012	1-249-381-11	CARBON 1 5%	1/4W F
R1029	1-216-073-00	RES-CHIP 10K 5%	1/10W
R1031	1-216-033-00	RES-CHIP 220 5%	1/10W
R1032	1-216-073-00	RES-CHIP 10K 5%	1/10W
R1033	1-216-019-00	RES-CHIP 56 5%	1/10W
R1034	1-216-073-00	RES-CHIP 10K 5%	1/10W
R1035	1-216-073-00	RES-CHIP 10K 5%	1/10W
R1042	1-216-049-11	RES-CHIP 1K 5%	1/10W
R1043	1-216-057-00	RES-CHIP 2.2K 5%	1/10W
R1044	1-216-057-00	RES-CHIP 2.2K 5%	1/10W
R1045	1-216-065-00	RES-CHIP 4.7K 5%	1/10W
R1046	1-216-073-00	RES-CHIP 10K 5%	1/10W
R1047	1-216-081-00	RES-CHIP 22K 5%	1/10W

Ref. No.	Part No.	Description	Remark
R1052	1-216-049-11	RES-CHIP 1K 5%	1/10W
R1053	1-216-057-00	RES-CHIP 2.2K 5%	1/10W
R1054	1-216-057-00	RES-CHIP 2.2K 5%	1/10W
R1055	1-216-065-00	RES-CHIP 4.7K 5%	1/10W
R1056	1-216-073-00	RES-CHIP 10K 5%	1/10W
R1057	1-216-081-00	RES-CHIP 22K 5%	1/10W
R1058	1-216-001-00	RES-CHIP 10 5%	1/10W
R1059	1-216-025-11	RES-CHIP 100 5%	1/10W
R1071	1-216-065-00	RES-CHIP 4.7K 5%	1/10W
R1073	1-216-081-00	RES-CHIP 22K 5%	1/10W
R1074	1-216-295-00	SHORT CHIP 0	
R1075	1-216-025-11	RES-CHIP 100 5%	1/10W
R1076	1-216-025-11	RES-CHIP 100 5%	1/10W
< VARIABLE RESISTOR >			
RV1051	1-467-808-21	ENCODER, ROTARY (MENU)	
RV1052	1-467-808-21	ENCODER, ROTARY (-/+)	
< SWITCH >			
S1041	1-762-875-21	SWITCH, KEYBOARD (INPUT MODE)	
S1042	1-762-875-21	SWITCH, KEYBOARD (DISPLAY)	
S1043	1-762-875-21	SWITCH, KEYBOARD (MUSIC)	
S1044	1-762-875-21	SWITCH, KEYBOARD (MOVIE)	
S1045	1-762-875-21	SWITCH, KEYBOARD (A.F.D)	
S1046	1-762-875-21	SWITCH, KEYBOARD (2CH)	
S1047	1-762-875-21	SWITCH, KEYBOARD (SURR BACK DECODING)	
S1050	1-762-875-21	SWITCH, KEYBOARD (I/⏪)	
S1051	1-762-875-21	SWITCH, KEYBOARD (TUNING +)	
S1052	1-762-875-21	SWITCH, KEYBOARD (TUNING -)	
S1053	1-762-875-21	SWITCH, KEYBOARD (PRESET TUNING +)	
S1054	1-762-875-21	SWITCH, KEYBOARD (PRESET TUNING -)	
S1056	1-762-875-21	SWITCH, KEYBOARD (MEMORY ENTER)	
S1057	1-762-875-21	SWITCH, KEYBOARD (MAIN MENU)	
S1065	1-762-875-21	SWITCH, KEYBOARD (SPEAKERS (OFF/A/B/A+B))	
< TRANSFORMER >			
T1071	1-439-814-11	TRANSFORMER, DC-DC CONVERTER	
*****			
	1-688-600-11	FUNCTION BOARD *****	
< VARIABLE RESISTOR >			
RV1061	1-467-808-21	ENCODER, ROTARY (INPUT SELECTOR)	
*****			
	A-4733-939-A	HP-V3 BOARD, COMPLETE (STR-DA2000ES)	
	A-4734-033-A	HP-V3 BOARD, COMPLETE (STR-DB2000) *****	
< CAPACITOR/SHORT >			
C1081	1-165-319-11	CERAMIC CHIP 0.1uF	50V
C1086	1-164-161-11	CERAMIC CHIP 0.0022uF 10%	50V
C1087	1-164-161-11	CERAMIC CHIP 0.0022uF 10%	50V
C1088	1-165-319-11	CERAMIC CHIP 0.1uF	50V
C1089	1-165-319-11	CERAMIC CHIP 0.1uF	50V
C1096	1-216-295-00	SHORT CHIP 0	

The components identified by mark △ or dotted line with mark △ are critical for safety. Replace only with part number specified.

Les composants identifiés par une marque △ sont critiques pour la sécurité. Ne les remplacer que par une pièce portant le numéro spécifié.

Ref. No.	Part No.	Description	Remark
		< CONNECTOR >	
CN1081	1-784-922-11	PIN, CONNECTOR 5P	
CN1091	1-784-926-11	PIN, CONNECTOR 11P	
		< EARTH TERMINAL >	
* EP1086	1-537-738-21	TERMINAL, EARTH	
* EP1091	1-537-738-21	TERMINAL, EARTH	
		< IC >	
IC1081	6-600-219-01	IC GP1FM313RZ0F (VIDEO 3 INPUT DIGITAL OPTICAL)	
		< JACK >	
J1086	1-815-313-11	JACK (PHONES)	
J1091	1-770-571-11	JACK BLOCK, PIN (L TYPE) 3P (VIDEO 3 INPUT S-VIDEO)	
J1092	1-784-808-11	TERMINAL, S (VIDEO 3 INPUT VIDEO, VIDEO 3 INPUT AUDIO)	
		< SHORT >	
JR1088	1-216-295-00	SHORT CHIP 0 (STR-DA2000ES)	
JR1089	1-216-295-00	SHORT CHIP 0 (STR-DB2000)	
		< RESISTOR >	
R1081	1-216-025-11	RES-CHIP 100 5% 1/10W	
R1092	1-216-049-11	RES-CHIP 1K 5% 1/10W	
R1093	1-216-049-11	RES-CHIP 1K 5% 1/10W	
R1094	1-216-022-00	RES-CHIP 75 5% 1/10W	
R1095	1-216-022-00	RES-CHIP 75 5% 1/10W	
R1096	1-216-022-00	RES-CHIP 75 5% 1/10W	
R1099	1-216-295-00	SHORT CHIP 0	
*****			
	A-4733-941-A	REG BOARD, COMPLETE (STR-DA2000ES)	
	A-4734-035-A	REG BOARD, COMPLETE (STR-DB2000: SP, MY)	
	A-4734-064-A	REG BOARD, COMPLETE (STR-DB2000: AEP, UK)	
*****			
	7-685-646-79	SCREW +BVTP 3X8 TYPE2 IT-3	
		< CAPACITOR >	
C905	1-137-150-11	MYLAR 0.01uF 5% 100V	
C906	1-165-319-11	CERAMIC CHIP 0.1uF 50V	
C907	1-127-720-91	ELECT 470uF 20% 16V (EXCEPT STR-DB2000: AEP, UK)	
C907	1-135-711-91	ELECT 470uF 16V (STR-DB2000: AEP, UK)	
C908	1-165-319-11	CERAMIC CHIP 0.1uF 50V	
C909	1-128-858-11	ELECT 22uF 20% 50V (EXCEPT STR-DB2000: AEP, UK)	
C909	1-135-703-91	ELECT 22uF 25V (STR-DB2000: AEP, UK)	
C909	1-135-710-91	ELECT 220uF 16V (STR-DB2000: AEP, UK)	
C910	1-128-889-51	ELECT 470uF 20% 100V (EXCEPT STR-DB2000: AEP, UK)	
C910	1-135-733-51	ELECT 470uF 100V (STR-DB2000: AEP, UK)	

Ref. No.	Part No.	Description	Remark
C911	1-100-188-11	MYLAR 0.75uF 5% 250V	
C913	1-100-691-11	ELECT 10000uF 20% 63V	
C914	1-100-188-11	MYLAR 0.75uF 5% 250V	
C915	1-127-718-91	ELECT 100uF 20% 16V	
C916	1-165-319-11	CERAMIC CHIP 0.1uF 50V	
C917	1-127-718-91	ELECT 100uF 20% 16V	
C918	1-165-319-11	CERAMIC CHIP 0.1uF 50V	
C919	1-127-718-91	ELECT 100uF 20% 16V	
C920	1-165-319-11	CERAMIC CHIP 0.1uF 50V	
C921	1-135-660-51	ELECT 6800uF 6.3V (STR-DB2000: AEP, UK)	
C921	1-137-662-91	ELECT 6800uF 20% 6.3V (EXCEPT STR-DB2000: AEP, UK)	
C922	1-165-319-11	CERAMIC CHIP 0.1uF 50V	
C923	1-135-660-51	ELECT 6800uF 6.3V (STR-DB2000: AEP, UK)	
C923	1-137-662-91	ELECT 6800uF 20% 6.3V (EXCEPT STR-DB2000: AEP, UK)	
C924	1-165-319-11	CERAMIC CHIP 0.1uF 50V	
C925	1-165-319-11	CERAMIC CHIP 0.1uF 50V	
C926	1-127-718-91	ELECT 100uF 20% 16V	
C927	1-165-319-11	CERAMIC CHIP 0.1uF 50V	
C928	1-127-718-91	ELECT 100uF 20% 16V	
		< CONNECTOR >	
CN901	1-691-767-11	PLUG (MICRO CONNECTOR) 5P (STR-DB2000: AEP, UK)	
CN902	1-784-922-11	PIN, CONNECTOR 5P	
CN903	1-691-765-11	PLUG (MICRO CONNECTOR) 3P (STR-DB2000: AEP, UK)	
CN904	1-564-321-00	PIN, CONNECTOR 2P (STR-DB2000: AEP, UK)	
CN905	1-564-321-00	PIN, CONNECTOR 2P (STR-DB2000)	
CN906	1-691-765-11	PLUG (MICRO CONNECTOR) 3P (STR-DB2000: AEP, UK)	
CN907	1-691-766-11	PLUG (MICRO CONNECTOR) 4P	
CN908	1-691-770-11	PLUG (MICRO CONNECTOR) 8P (STR-DB2000: AEP, UK)	
CN909	1-784-926-11	PIN, CONNECTOR 11P	
* CN910	1-564-704-11	PIN, CONNECTOR (SMALL TYPE) 2P	
		< DIODE >	
D901	8-719-988-61	DIODE 1SS355TE-17	
D902	8-719-988-61	DIODE 1SS355TE-17	
D903	8-719-053-18	DIODE 1SR154-400TE-25	
D904	8-719-053-18	DIODE 1SR154-400TE-25	
D905	8-719-053-18	DIODE 1SR154-400TE-25	
D906	8-719-069-56	DIODE UDZSTE-176.2B	
D907	8-719-016-74	DIODE 1SS352	
		< EARTH TERMINAL >	
* EP901	4-924-264-21	TERMINAL, MOUNT	
* EP902	4-924-264-21	TERMINAL, MOUNT	
* EP903	1-537-738-21	TERMINAL, EARTH	
* EP904	1-537-738-21	TERMINAL, EARTH	
* EP905	1-537-738-21	TERMINAL, EARTH	
		< IC/TRANSISTOR >	
IC903	8-759-545-66	IC NJM3414AMP (TE2)	
IC911	8-759-445-59	IC BA033T	

# STR-DA2000ES/DB2000

<b>REG</b>	<b>S-VIDEO</b>
------------	----------------

Ref. No.	Part No.	Description	Remark
IC912	8-759-231-53	IC TA7805S	
* IC913	8-729-045-93	TRANSISTOR	IMZ4T108
< COIL >			
L901	1-421-967-11	INDUCTOR	100uH
L902	1-421-967-11	INDUCTOR	100uH
< TRANSISTOR >			
Q905	8-729-216-31	TRANSISTOR	2SA1163-G
Q906	8-729-271-31	TRANSISTOR	2SC2713-G
Q908	8-729-271-31	TRANSISTOR	2SC2713-G
Q911	8-729-027-23	TRANSISTOR	DTA114EKA-T146
Q912	8-729-027-43	TRANSISTOR	DTC114EKA-T146
Q913	6-550-363-01	TRANSISTOR	2SB1690KT146
Q914	8-729-027-43	TRANSISTOR	DTC114EKA-T146
< RESISTOR >			
R905	1-249-589-31	CARBON	36K 5% 1/4W
R906	1-216-025-11	RES-CHIP	100 5% 1/10W
R907	1-216-057-00	RES-CHIP	2.2K 5% 1/10W
R908	1-216-369-00	METAL OXIDE	1 5% 2W
R909	1-216-113-00	RES-CHIP	470K 5% 1/10W
R910	1-216-073-00	RES-CHIP	10K 5% 1/10W
R911	1-216-063-00	RES-CHIP	3.9K 5% 1/10W
R912	1-216-077-00	RES-CHIP	15K 5% 1/10W
R913	1-216-049-11	RES-CHIP	1K 5% 1/10W
R914	1-216-295-00	SHORT CHIP	0
R915	1-216-025-11	RES-CHIP	100 5% 1/10W
R916	1-216-073-00	RES-CHIP	10K 5% 1/10W
R917	1-215-869-11	METAL OXIDE	1K 5% 1W
R918	1-216-041-11	RES-CHIP	470 5% 1/10W
R919	1-216-049-11	RES-CHIP	1K 5% 1/10W
R920	1-216-049-11	RES-CHIP	1K 5% 1/10W
R921	1-216-073-00	RES-CHIP	10K 5% 1/10W
R922	1-249-607-31	CARBON	200K 5% 1/4W
R927	1-249-958-11	CARBON	30K 5% 1/4W
R928	1-249-937-11	CARBON	2.9K 5% 1/4W
R929	1-216-057-00	RES-CHIP	2.2K 5% 1/10W
R930	1-216-057-00	RES-CHIP	2.2K 5% 1/10W
R931	1-216-071-00	RES-CHIP	8.2K 5% 1/10W
*****			
	A-4733-944-A	S-VIDEO BOARD, COMPLETE (STR-DA2000ES)	
	A-4734-037-A	S-VIDEO BOARD, COMPLETE (STR-DB2000)	
*****			
< CAPACITOR >			
C701	1-126-964-11	ELECT	10uF 20% 50V
C702	1-165-319-11	CERAMIC CHIP	0.1uF 50V
C703	1-126-964-11	ELECT	10uF 20% 50V
C704	1-165-319-11	CERAMIC CHIP	0.1uF 50V
C705	1-163-243-11	CERAMIC CHIP	47PF 5% 50V
C706	1-163-243-11	CERAMIC CHIP	47PF 5% 50V
C707	1-126-964-11	ELECT	10uF 20% 50V
C708	1-165-319-11	CERAMIC CHIP	0.1uF 50V
C726	1-165-319-11	CERAMIC CHIP	0.1uF 50V
C727	1-126-964-11	ELECT	10uF 20% 50V
C731	1-165-319-11	CERAMIC CHIP	0.1uF 50V

Ref. No.	Part No.	Description	Remark
C732	1-165-319-11	CERAMIC CHIP	0.1uF 50V
C733	1-165-319-11	CERAMIC CHIP	0.1uF 50V
C734	1-165-319-11	CERAMIC CHIP	0.1uF 50V
< CONNECTOR >			
CN701	1-568-444-11	SOCKET, CONNECTOR 13P	
CN753	1-564-721-11	PIN, CONNECTOR (SMALL TYPE) 5P	
< DIODE >			
D701	8-719-801-78	DIODE	1SS184
D761	8-719-016-74	DIODE	1SS352
D766	8-719-016-74	DIODE	1SS352
< IC >			
IC701	6-704-199-01	IC	NJM2595M-TE2
IC702	6-704-199-01	IC	NJM2595M-TE2
< JACK >			
J701	1-764-676-11	CONNECTOR (ROUND TYPE) (DVD S-VIDEO IN, TV/SAT S-VIDEO IN)	
J705	1-764-676-11	CONNECTOR (ROUND TYPE) (VIDEO1 S-VIDEO IN, VIDEO1 S-VIDEO OUT)	
J709	1-537-943-11	TERMINAL, S (MONITOR S-VIDEO OUT)	
J751	1-817-726-11	JACK, PIN 9P (TV-SAT IN, DVD IN, MONITOR OUT)	
< TRANSISTOR >			
Q761	8-729-230-49	TRANSISTOR	2SC2712-YG
Q766	8-729-230-49	TRANSISTOR	2SC2712-YG
< RESISTOR >			
R701	1-216-022-00	RES-CHIP	75 5% 1/10W
R702	1-216-022-00	RES-CHIP	75 5% 1/10W
R703	1-216-022-00	RES-CHIP	75 5% 1/10W
R704	1-216-022-00	RES-CHIP	75 5% 1/10W
R705	1-216-022-00	RES-CHIP	75 5% 1/10W
R706	1-216-022-00	RES-CHIP	75 5% 1/10W
R707	1-216-022-00	RES-CHIP	75 5% 1/10W
R708	1-216-022-00	RES-CHIP	75 5% 1/10W
R709	1-216-022-00	RES-CHIP	75 5% 1/10W
R710	1-216-022-00	RES-CHIP	75 5% 1/10W
R712	1-216-295-00	SHORT CHIP	0
R713	1-216-295-00	SHORT CHIP	0
R721	1-216-295-00	SHORT CHIP	0
R760	1-216-295-00	SHORT CHIP	0
R761	1-216-057-00	RES-CHIP	2.2K 5% 1/10W
R762	1-216-073-00	RES-CHIP	10K 5% 1/10W
R766	1-216-057-00	RES-CHIP	2.2K 5% 1/10W
R767	1-216-073-00	RES-CHIP	10K 5% 1/10W
< RELAY >			
RY761	1-755-184-11	RELAY	
RY762	1-755-184-11	RELAY	
RY766	1-755-184-11	RELAY	
RY767	1-755-184-11	RELAY	
*****			

TH

VOL

<u>Ref. No.</u>	<u>Part No.</u>	<u>Description</u>	<u>Remark</u>
	1-688-684-11	TH BOARD *****	
		< THERMISTOR (POSITIVE) >	
THP901	1-817-728-11	SENSOR, THERMISTOR *****	
	1-688-601-11	VOL BOARD *****	
		< CONNECTOR >	
CN1060	1-779-978-11	PIN, CONNECTOR 3P	
		< VARIABLE RESISTOR >	
RV1060	1-418-725-41	ENCODER, ROTARY (12 TYPE) (MASTER VOLUME)	

