

STR-DA2ES/DB1080

SERVICE MANUAL

Ver 1.1 2003.07

US Model
Canadian Model
STR-DA2ES
AEP Model
UK Model
E Model
STR-DB1080



Photo: STR-DA2ES

This receiver incorporates Dolby* Digital and Pro Logic Surround and the DTS** Digital Surround System.

* Manufactured under license from Dolby Laboratories.

"Dolby", "Pro Logic" and the double-D symbol are trademarks of Dolby Laboratories.

** "DTS", "DTS-ES Extended Surround" and "Neo:6" are trademarks of Digital Theater Systems, Inc.

SPECIFICATIONS

AUDIO POWER SPECIFICATIONS

POWER OUTPUT AND TOTAL HARMONIC DISTORTION: (Models of area code U only)

With 8 ohm loads, both channels driven, from 20 – 20,000 Hz; rated 100 watts per channel minimum RMS power, with no more than 0.09 % total harmonic distortion from 250 milliwatts to rated output.

Amplifier section

POWER OUTPUT

Models of area code U, CA

Rated Power Output at Stereo Mode

(8 ohms 20 Hz – 20 kHz, THD 0.09 %) 100 W + 100 W
(4 ohms 20 Hz – 20 kHz, THD 0.09 %) 80 W + 80 W

Reference Power Output

(8 ohms 20 Hz – 20 kHz, THD 0.09 %) FRONT¹⁾: 100 W + 100 W
CENTER¹⁾: 100 W
SURR¹⁾: 100 W + 100 W
SURR BACK¹⁾: 100 W
(4 ohms 20 Hz – 20 kHz, THD 0.09 %) FRONT¹⁾: 80 W + 80 W
CENTER¹⁾: 80 W
SURR¹⁾: 80 W + 80 W
SURR BACK¹⁾: 80 W

Models of other area code

Rated Power Output at Stereo Mode

(8 ohms 1 kHz, THD 0.7 %) 100 W + 100 W²⁾
(4 ohms 1 kHz, THD 0.7 %) 90 W + 90 W²⁾

Reference Power Output²⁾

(8 ohms 1 kHz, THD 0.7 %) FRONT¹⁾: 100 W + 100 W
CENTER¹⁾: 100 W
SURR¹⁾: 100 W + 100 W
SURR BACK¹⁾: 100 W
(4 ohms 1 kHz, THD 0.7 %) FRONT¹⁾: 90 W + 90 W
CENTER¹⁾: 90 W
SURR¹⁾: 90 W + 90 W
SURR BACK¹⁾: 90 W
(8 ohms 20 Hz – 20 kHz, THD 0.09 %) FRONT¹⁾: 90 W + 90 W
CENTER¹⁾: 90 W
SURR¹⁾: 90 W + 90 W
SURR BACK¹⁾: 90 W
(4 ohms 20 Hz – 20 kHz, THD 0.09 %) FRONT¹⁾: 80 W + 80 W
CENTER¹⁾: 80 W
SURR¹⁾: 80 W + 80 W
SURR BACK¹⁾: 80 W

1) Depending on the sound field settings and the source, there may be no sound output.

2) Measured under the following conditions:

Area code	Power requirements
E	240 V AC, 50 Hz
SP, CEL, CEK, KR	230 V AC, 50 Hz

Frequency response

PHONO	RIAA equalization curve ±0.5 dB
CD/SACD, TAPE, MD/DAT, TV/SAT, DVD/LD, VIDEO 1, 2, 3	10 Hz – 100 kHz +0.5/-2 dB (when ANALOG DIRECT is selected)

Inputs (Analog)

PHONO	Sensitivity: 2.5 mV Impedance: 50 kilohms S/N ³⁾ : 86 dB (A, 2.5 mV ⁴⁾)
MULTI CH IN 1, 2, CD/SACD, TAPE, MD/DAT, DVD/LD, TV/SAT, VIDEO 1, 2, 3	Sensitivity: 150 mV Impedance: 50 kilohms S/N ³⁾ : 96 dB (A, 150 mV ⁴⁾)

3) INPUT SHORT.

4) Weighted network, input level.

– Continued on next page –

FM STEREO FM-AM RECEIVER

9-874-061-02

2003G05-1

© 2003.07

Sony Corporation

Home Audio Company

Published by Sony Engineering Corporation

SONY®

STR-DA2ES/DB1080

Inputs (Digital)

DVD/LD (Coaxial)	Impedance: 75 ohms S/N: 100 dB (A, 20 kHz LPF)
DVD/LD, TV/SAT, MD/DAT, VIDEO3 (Optical)	S/N: 100 dB (A, 20 kHz LPF)

Outputs

TAPE, MD/DAT (REC OUT), VIDEO 1, 2 (AUDIO OUT)	Voltage: 150 mV Impedance: 2.2 kilohms
FRONT L/R, CENTER, SURROUND L/R, SURROUND BACK, SUB WOOFER	Voltage: 2 V Impedance: 1 kilohms

EQ

BASS:	99 Hz~1.0 kHz
MID (FRONT L/R, CENTER only):	198 Hz~10 kHz
TREBLE:	1.0 kHz~10 kHz
Gain levels:	±10 dB, 0.5 dB step

FM tuner section

Tuning range	87.5 - 108.0 MHz
Antenna terminals	75 ohms, unbalanced
Sensitivity	
Mono:	18.3 dBf, 2.2 μV/75 ohms
Stereo:	38.3 dBf, 22.5 μV/75 ohms
Usable sensitivity	11.2 dBf, 1 μV/75 ohms
S/N	
Mono:	76 dB
Stereo:	70 dB
Harmonic distortion at 1 kHz	
Mono:	0.3%
Stereo:	0.5%
Separation	45 dB at 1 kHz
Frequency response	30 Hz - 15 kHz, +0.5/-2 dB
Selectivity	60 dB at 400 kHz

AM tuner section

Tuning range
Models of area code U, CA
 With 10-kHz tuning scale: 530 - 1,710 kHz⁵⁾
 With 9-kHz tuning scale: 531 - 1,710 kHz⁵⁾
Models of area code E
 With 10-kHz tuning scale: 530 - 1,610 kHz⁵⁾
 With 9-kHz tuning scale: 531 - 1,602 kHz⁵⁾
Models of area code SP, CEL, CEK, KR
 With 9-kHz tuning scale: 531 - 1,602 kHz

Antenna	Loop antenna
Usable sensitivity	50 dB/m (at 1,000 kHz or 999 kHz)
S/N	54 dB (at 50 mV/m)
Harmonic distortion	0.5 % (50 mV/m, 400 Hz)
Selectivity	
At 9 kHz:	35 dB
At 10 kHz:	40 dB

5) You can change the AM tuning scale to 9 kHz or 10 kHz. After tuning in any AM station, turn off the receiver. Hold down TUNING + and press I/⏻. All preset stations will be erased when you change the tuning scale. To reset the scale to 10 kHz (or 9 kHz), repeat the procedure.

Video section

Inputs/Outputs	
Video:	1 Vp-p, 75 ohms
S-video:	Y: 1 Vp-p, 75 ohms C: 0.286 Vp-p, 75 ohms
COMPONENT VIDEO (Except for models of area code CEL, CEK):	
Y:	1 Vp-p, 75 ohms
B-Y:	0.7 Vp-p, 75 ohms
R-Y:	0.7 Vp-p, 75 ohms

General

Power requirements

Area code	Power requirements
U, CA	120 V AC, 60 Hz
CEL, CEK	230 V AC, 50/60 Hz
SP	220 - 230 V AC, 50/60 Hz
E	120/220/240 V AC, 50/60 Hz
KR	220 - 230 V AC, 60 Hz

Power consumption

Area code	Power consumption
U	290 W
CA	340 VA
CEL, CEK	300 W
SP, E, KR	300 W

Power consumption (during standby mode)

0.8 W (when "POWER SAVE" in the CUSTOMIZE menu is set to "OFF")/0.5 W ("ON")

AC outlets

Area code	AC outlets
U, CA	2 switched, 120 W/1A MAX
SP, CEL, CEK	1 switched, 100 W MAX
E	2 switched, 100 W MAX

Dimensions

430 × 161 × 400 mm
including projecting parts
and controls

Mass (Approx.)

13.3 kg

Supplied accessories

FM wire antenna (1)
 AM loop antenna (1)
 Models of area code U, CA:
 Audio/video/control S cord (1)
 Control S cord (mini jack) (1)
 Remote commander RM-PG411 (1)
 R6 (size-AA) batteries (2)
 Models of other area codes:
 Remote commander RM-LP211 (1)
 R6 (size-AA) batteries (3)

Design and specifications are subject to change without notice.

Notes on chip component replacement

- Never reuse a disconnected chip component.
- Notice that the minus side of a tantalum capacitor may be damaged by heat.

SAFETY CHECK-OUT

After correcting the original service problem, perform the following safety check before releasing the set to the customer: Check the antenna terminals, metal trim, “metallized” knobs, screws, and all other exposed metal parts for AC leakage. Check leakage as described below.

LEAKAGE TEST

The AC leakage from any exposed metal part to earth ground and from all exposed metal parts to any exposed metal part having a return to chassis, must not exceed 0.5 mA (500 microamperes.). Leakage current can be measured by any one of three methods.

1. A commercial leakage tester, such as the Simpson 229 or RCA WT-540A. Follow the manufacturers' instructions to use these instruments.
2. A battery-operated AC milliammeter. The Data Precision 245 digital multimeter is suitable for this job.
3. Measuring the voltage drop across a resistor by means of a VOM or battery-operated AC voltmeter. The “limit” indication is 0.75 V, so analog meters must have an accurate low-voltage scale. The Simpson 250 and Sanwa SH-63Trd are examples of a passive VOM that is suitable. Nearly all battery operated digital multimeters that have a 2 V AC range are suitable. (See Fig. A)

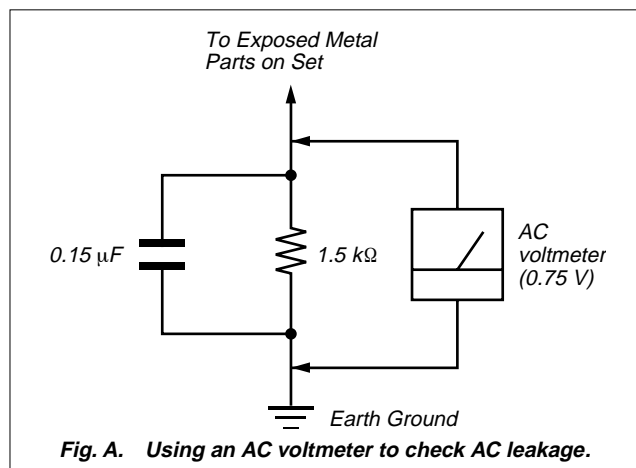


Fig. A. Using an AC voltmeter to check AC leakage.

SAFETY-RELATED COMPONENT WARNING!!

COMPONENTS IDENTIFIED BY MARK \triangle OR DOTTED LINE WITH MARK \triangle ON THE SCHEMATIC DIAGRAMS AND IN THE PARTS LIST ARE CRITICAL TO SAFE OPERATION. REPLACE THESE COMPONENTS WITH SONY PARTS WHOSE PART NUMBERS APPEAR AS SHOWN IN THIS MANUAL OR IN SUPPLEMENTS PUBLISHED BY SONY.

ATTENTION AU COMPOSANT AYANT RAPPORT À LA SÉCURITÉ!

LES COMPOSANTS IDENTIFIÉS PAR UNE MARQUE \triangle SUR LES DIAGRAMMES SCHÉMATIQUES ET LA LISTE DES PIÈCES SONT CRITIQUES POUR LA SÉCURITÉ DE FONCTIONNEMENT. NE REMPLACER CES COMPOSANTS QUE PAR DES PIÈCES SONY DONT LES NUMÉROS SONT DONNÉS DANS CE MANUEL OU DANS LES SUPPLÉMENTS PUBLIÉS PAR SONY.

TABLE OF CONTENTS

1. SERVICING NOTES	5	6-35. IC Pin Function Description	58
2. GENERAL	6	7. EXPLODED VIEWS	
3. DISASSEMBLY		7-1. Case Section	70
3-1. Disassembly Flow	7	7-2. Front Panel Section-1	71
3-2. Case (414535)	8	7-3. Front Panel Section-2	72
3-3. S-VIDEO board, VIDEO Board, UP CONVERT Board and Tuner	8	7-4. Chassis Section-1	73
3-4. VIDEO.AU Board	9	7-5. Chassis Section-2	74
3-5. DIGITAL Board	9	7-6. Chassis Section-3	75
3-6. MAIN Board, MIX Board	10	7-7. Chassis Section-4	76
4. TEST MODE	11	7-8. BIAS Board Section	77
5. ELECTRICAL ADJUSTMENT	12	7-9. MAIN Board Section	78
6. DIAGRAMS		7-10. Foot Section	79
6-1. Block Diagram		8. ELECTRICAL PARTS LIST	80
– TUNER/VIDEO INPUT Section –	13		
6-2. Block Diagram – AUDIO DSP Section –	14		
6-3. Block Diagram – AUDIO CONTROL Section –	15		
6-4. Block Diagram – POWER AMP Section –	16		
6-5. Block Diagram			
– DISPLAY/KEY CONTROL Section –	17		
6-6. Block Diagram – POWER SUPPLY Section –	18		
6-7. Note for Printed Wiring Boards and Schematic Diagrams	19		
6-8. Schematic Diagram			
– DIGITAL (1/5)/V3-OPT Boards –	21		
6-9. Schematic Diagram – DIGITAL Board (2/5) –	22		
6-10. Schematic Diagram – DIGITAL Board (3/5) –	23		
6-11. Schematic Diagram – DIGITAL Board (4/5) –	24		
6-12. Schematic Diagram – DIGITAL Board (5/5) –	25		
6-13. Printed Wiring Board			
– DIGITAL Board (Component Side) –	26		
6-14. Printed Wiring Boards			
– DIGITAL (Conductor Side)/V3-OPT Boards –	27		
6-15. Printed Wiring Board – VIDEO Board –	28		
6-16. Schematic Diagram – VIDEO Board –	29		
6-17. Printed Wiring Boards			
– S-VIDEO/VIDEO 3/VIDEO.AU Boards –	30		
6-18. Schematic Diagram			
– S-VIDEO/VIDEO 3/VIDEO.AU Boards –	31		
6-19. Printed Wiring Board – UP CONVERT Board –	32		
6-20. Schematic Diagram – UP CONVERT Board –	33		
6-21. Printed Wiring Board – MAIN Board –	34		
6-22. Schematic Diagram – MAIN Board (1/3) –	35		
6-23. Schematic Diagram – MAIN Board (2/3) –	36		
6-24. Schematic Diagram – MAIN Board (3/3) –	37		
6-25. Printed Wiring Boards – BIAS/MIX Boards –	38		
6-26. Schematic Diagram – BIAS/MIX Boards –	39		
6-27. Printed Wiring Boards – H.P/SP/SP-B Boards –	40		
6-28. Schematic Diagram – H.P/SP/SP-B Boards –	41		
6-29. Printed Wiring Board – DISPLAY Board –	42		
6-30. Schematic Diagram – DISPLAY Board –	43		
6-31. Printed Wiring Boards			
– MUTING/POWER/SW Boards –	44		
6-32. Schematic Diagram			
– MUTING/POWER/SW Boards –	45		
6-33. Printed Wiring Boards			
– AC/DC 1/DC 2/V.SWITCH Boards –	46		
6-34. Schematic Diagram			
– AC/DC 1/DC 2/V.SWITCH Boards –	47		

SECTION 1 SERVICING NOTES

• MODEL IDENTIFICATION

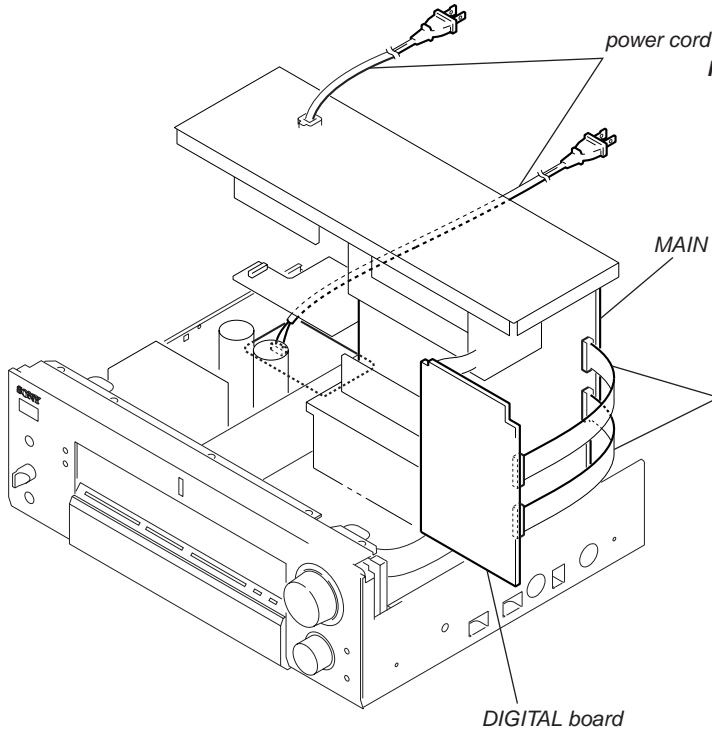
– Back Panel –



Model	PART No.
DA2ES : US model	4-239-175-0□
DA2ES : Canadian model	4-239-175-1□
DB1080 : Singapore and Malaysia models	4-239-175-2□
DB1080 : AEP and UK models	4-239-175-3□
DB1080 : E model	4-239-175-4□
DB1080 : Korean model	4-239-175-5□

SERVICE POSITION

In checking the DIGITAL board, prepare jig (extension cable J-2501-208-A: 200 mm 21 core).

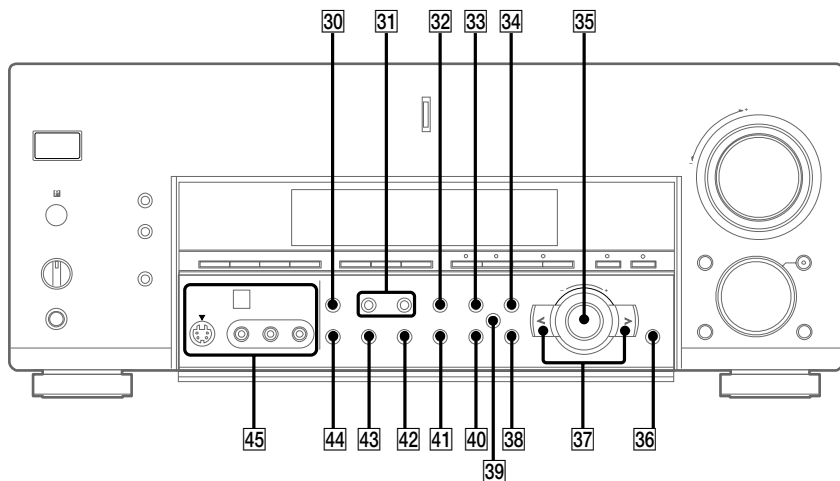
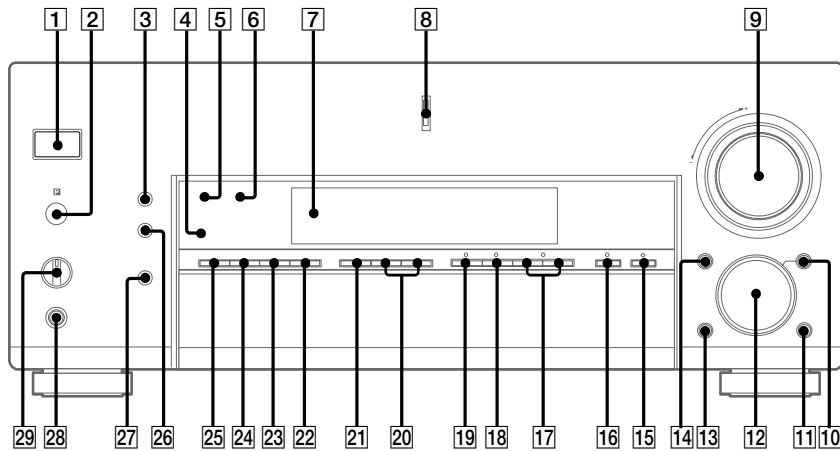


Note: The power cord can be used unplugged from the back panel though, as it is hard to do it, it is easier to prepare other power cord and use it as a jig.

Connect jig (extension cable J-2501-208-A) to the MAIN board (CN806, CN807) and DIGITAL board (CN1102, CN1103).

LOCATION OF CONTROLS

– Front Panel –

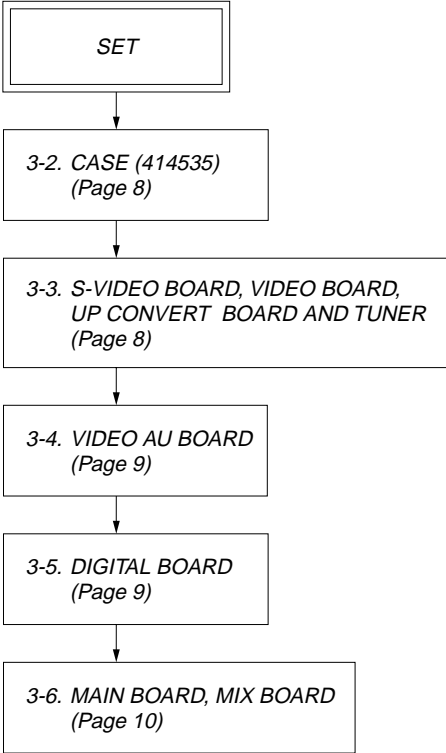


- | | | |
|---|--|--|
| ANALOG DIRECT 16 | MASTER VOLUME 9 | SPEAKERS switch 29 |
| AUDIO SPLIT 10 | MEMORY 30 | SURR 39 |
| AUTO DEC 19 | MODE +/- 17 | SURR BACK DECODING 24 |
| CINEMA STUDIO EX 23 | MULTI CH DIRECT 15 | TEST TONE 42 |
| Cursor buttons (</>) 37 | MULTI CHANNEL DECODING
indicator 8 | TUNING +/- 31 |
| CUSTOMIZE 40 | MUTING 11 | (Models of area code U, CA,
SP, KR, E only) |
| Digital Cinema Sound indicator 5 | NIGHT MODE 41 | TUNING/PTY SELECT +/- 31 |
| DIGITAL CONCERT HALL 22 | NIGHT MODE indicator 4 | (Models of area code CEL, CEK
only) |
| DIMMER 26 | NORMAL SURR
(DPLII/NEO:6) 25 | VIDEO 3 INPUT jacks 45 (16) |
| DISPLAY 3 | ON SCREEN 27 | 2CH STEREO 18 |
| Display 7 | PHONES jack 28 | 2ND ROOM 43 (58) |
| DOOR OPEN 14 | PRESET TUNING +/- 20 | (Models of area code U, CA
only) |
| ENTER 36 | RDS PTY 43 | I/⏻ (power) 1 |
| EQ 38 | (Models of area code
CEL, CEK only) | |
| EQUALIZER 32 | SB DEC indicator 6 | |
| FM/AM 21 | SET UP 33 | |
| FM MODE 44 | SLEEP 43 | |
| FUNCTION 12 | (Models of area code
SP, KR, E only) | |
| INPUT MODE 13 | | |
| IR receptor 2 | | |
| Jog dial 35 | | |
| LEVEL 34 | | |

SECTION 3 DISASSEMBLY

• This set can be disassembled in the order shown below.

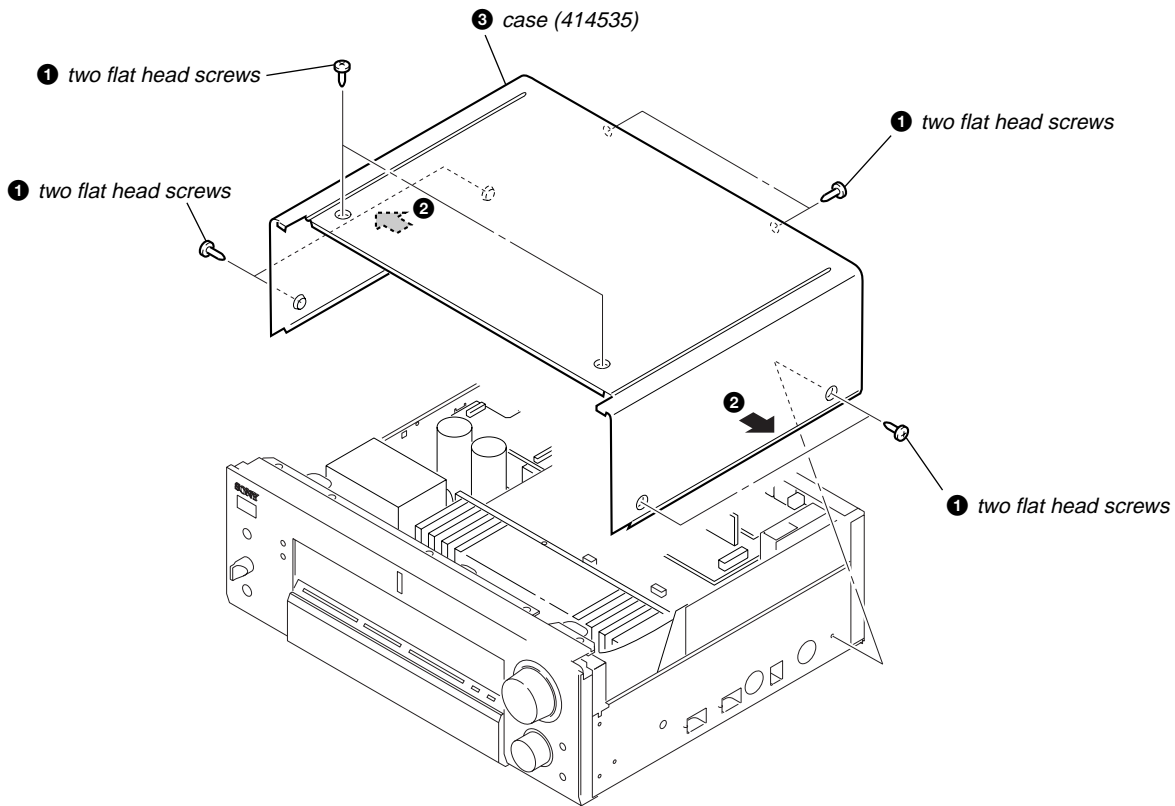
3-1. DISASSEMBLY FLOW



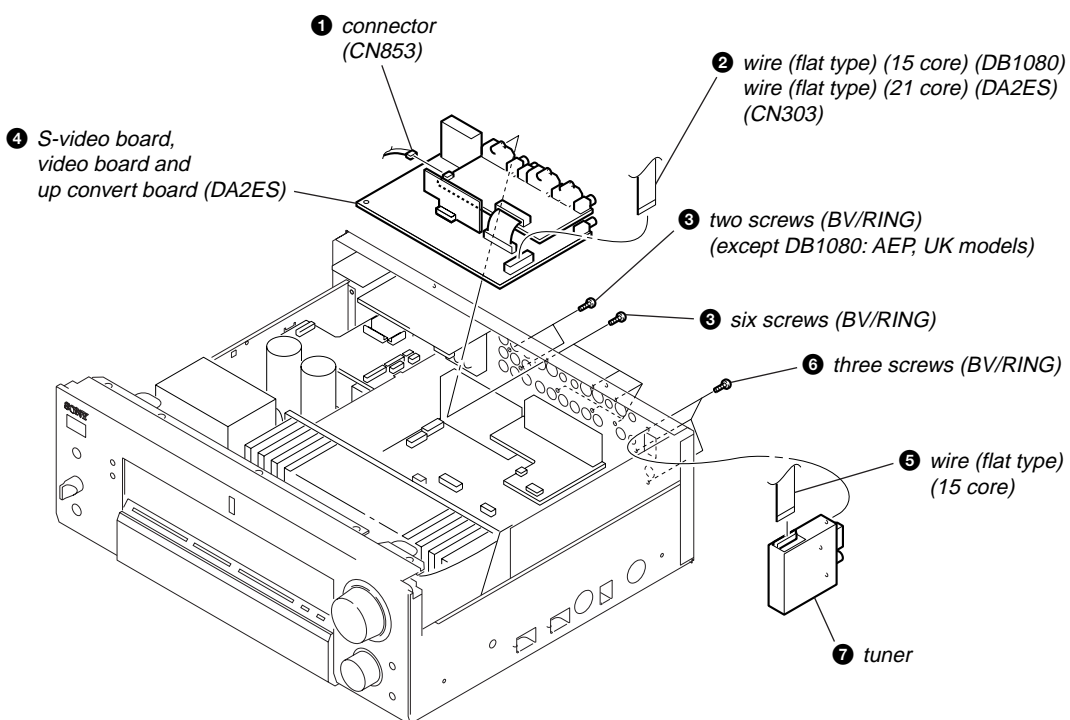
STR-DA2ES/DB1080

Note: Follow the disassembly procedure in the numerical order given.

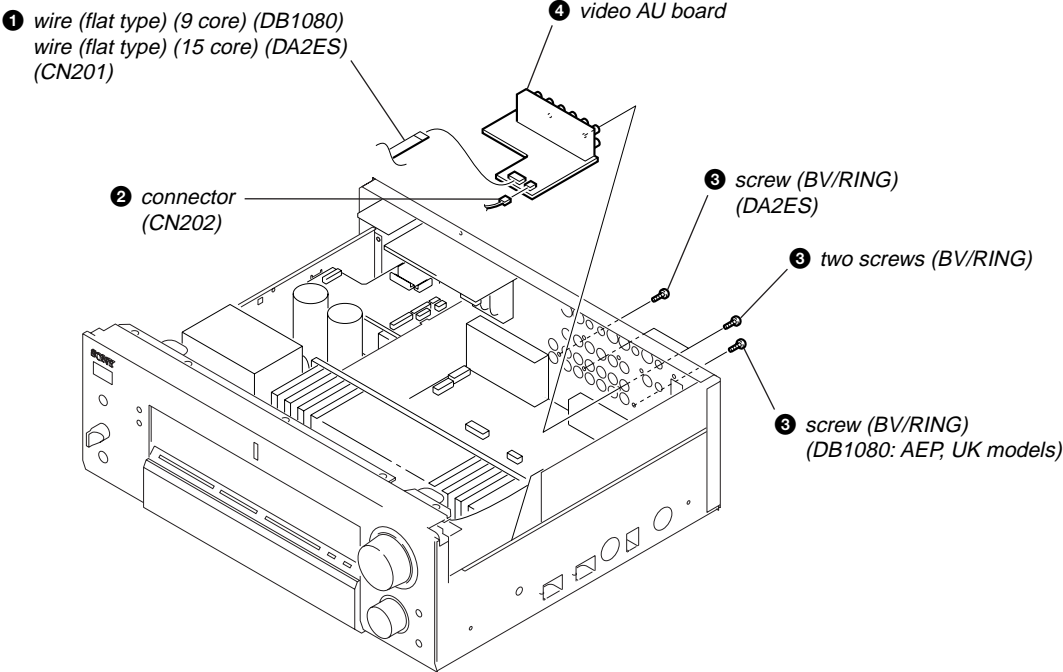
3-2. CASE (414535)



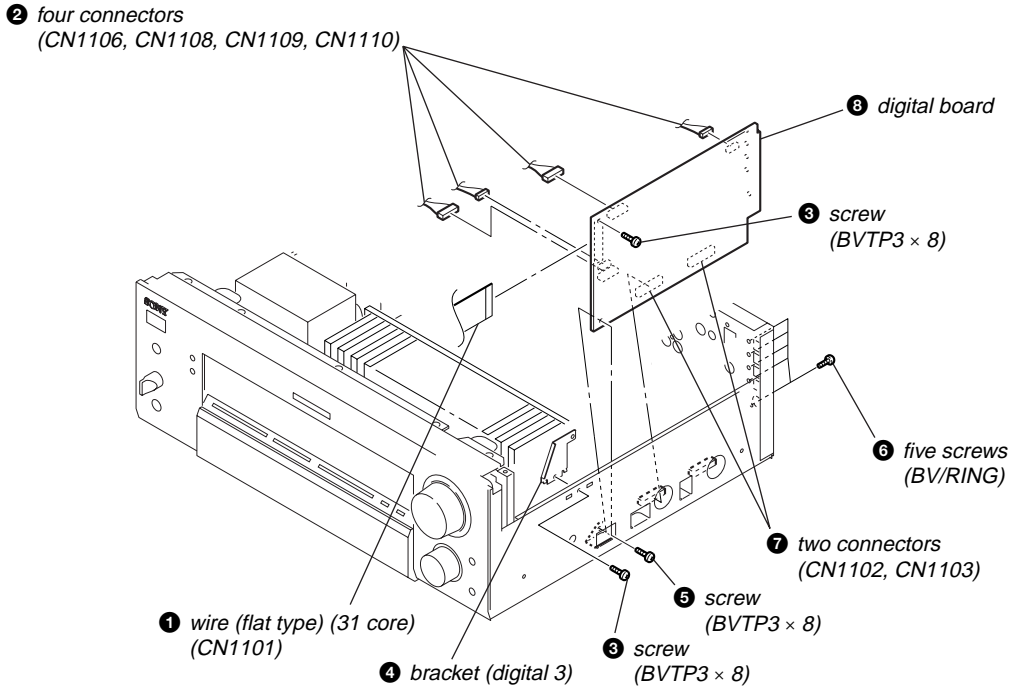
3-3. S-VIDEO BOARD, VIDEO BOARD, UP CONVERT BOARD (DA2ES) AND TUNER



3-4. VIDEO.AU BOARD

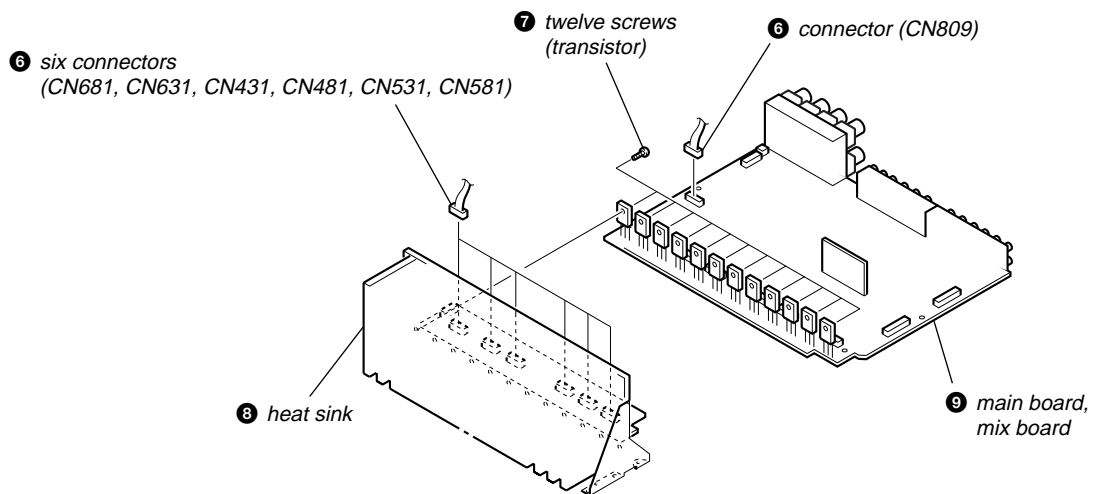
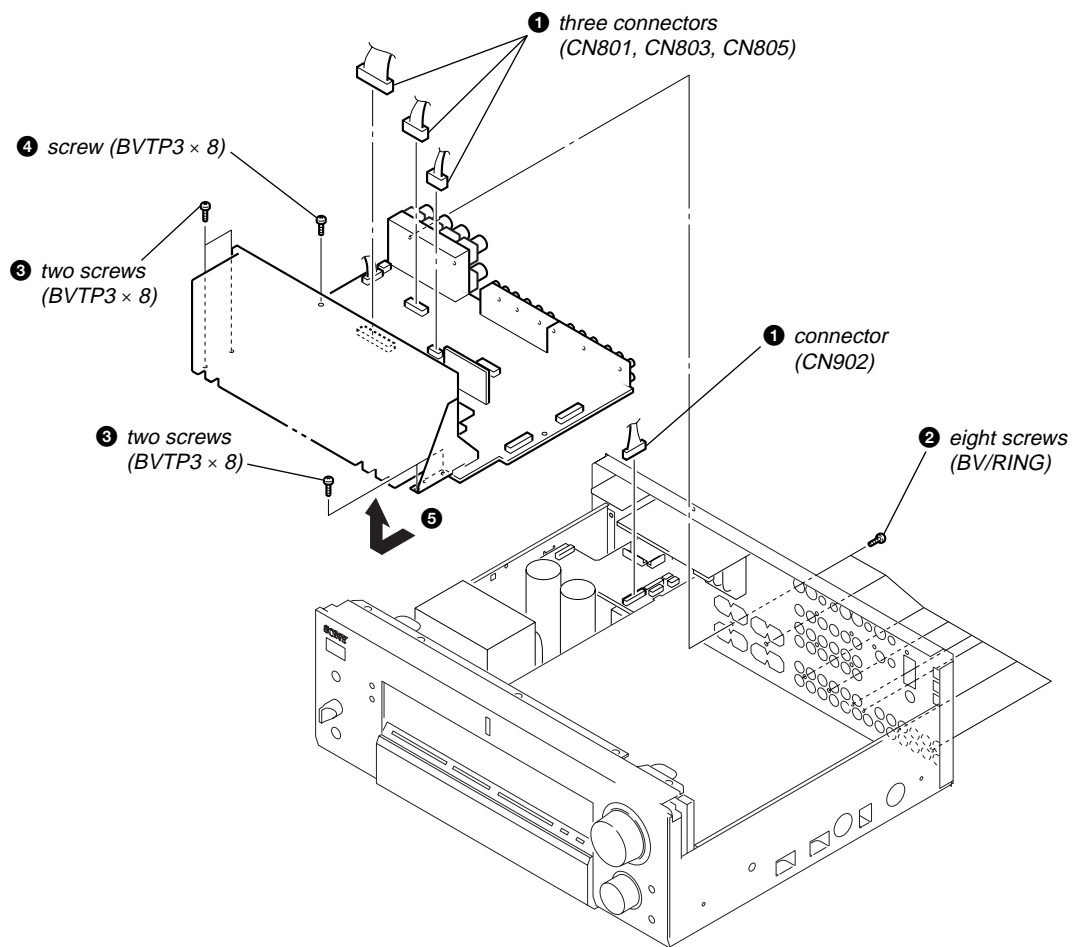


3-5. DIGITAL BOARD



Note: When installing the digital board (CN1101), connecting the wire (flat type) (31 core) to the digital board beforehand improves the operability.

3-6. MAIN BOARD, MIX BOARD



SECTION 4 TEST MODE

TUNER FACTORY PRESET MODE

All preset contents are reset to the default setting.

Procedure:

1. While pressing the **[DIMMER]** and **[SET UP]** buttons, press the **[I/⏻]** button to turn on the main power.
2. The message "TUNER FACTORY PRESET" appears and the present contents are reset to the default values.

TUNER AM STEP CHANGE (9 kHz/10 kHz) MODE (Except STR-DB1080: AEP and UK models)

Either the 9 kHz step or 10 kHz step can be selected for the AM channel step.

Procedure:

1. While pressing the **[PRESET TUNING +]** or **[TUNING +]** button, press the **[I/⏻]** button to turn on the main power.
2. Either the message "AM 9 kHz Step" or "AM 10 kHz Step" appears. Select the desired step.

TUNER AUTOBETICAL TUNING MODE (STR-DB1080: AEP and UK models)

Procedure:

1. While pressing the **[MEMORY]** button, press the **[I/⏻]** button to turn on the main power.
2. The message "Autobetel select" appears and scans and stores all the FM and FM RDS stations in the broadcast area.
3. When done, the message "Autobetel finished" appears.

SOUND FIELD CLEAR MODE

The preset sound field is cleared when this mode is activated. Use this mode before returning the product to clients upon completion of repair.

Procedure:

1. While pressing the **[MODE +]** button, press the **[I/⏻]** button to turn on the main power.
2. The message "S.F Initialize" appears and initialization is performed.

ALL CLEAR MODE

All preset contents are cleared when this mode is activated. Use this mode before returning the product to clients upon completion of repair.

Procedure:

1. While pressing the **[AUTO DEC.]** and **[MODE +]** buttons, press the **[I/⏻]** button to turn on the main power.
2. The message "MEMORY CLEARED !" appears and the memories are reset to the default values.

MENU EXPAND FOR DEBUG MODE

Procedure:

1. Press the **[I/⏻]** button to turn on the main power.
2. Press two buttons of **[CINEMA STUDIO EX]** and **[ENTER]** simultaneously.
3. The message "MENU SPECIALIZED !" appears and menu expand turn on.
4. Press two buttons of **[CINEMA STUDIO EX]** and **[ENTER]** simultaneously once again.
5. The message "MENU SPECIALIZED OFF" appears and menu expand turn off.

FLUORESCENT INDICATOR TUBE PATTERN CHECK MODE

All fluorescent segments are tested. When this test is activated, all segments turn on at the same time, then each segment turns on one after another.

Procedure:

1. While pressing the **[DISPLAY]** and **[ENTER]** buttons, press the **[I/⏻]** button to turn on the main power.
2. All segments turn on at the same time.

SWAP MODE

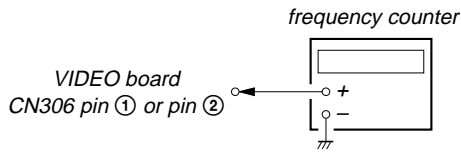
Procedure:

1. While pressing the **[DISPLAY]** and **[2CH ST]** buttons, press the **[I/⏻]** button to turn on the main power.
2. The message "SWAP MODE !" appears and swap mode turn on.

SECTION 5 ELECTRICAL ADJUSTMENT

OSD ADJUSTMENT

Connection



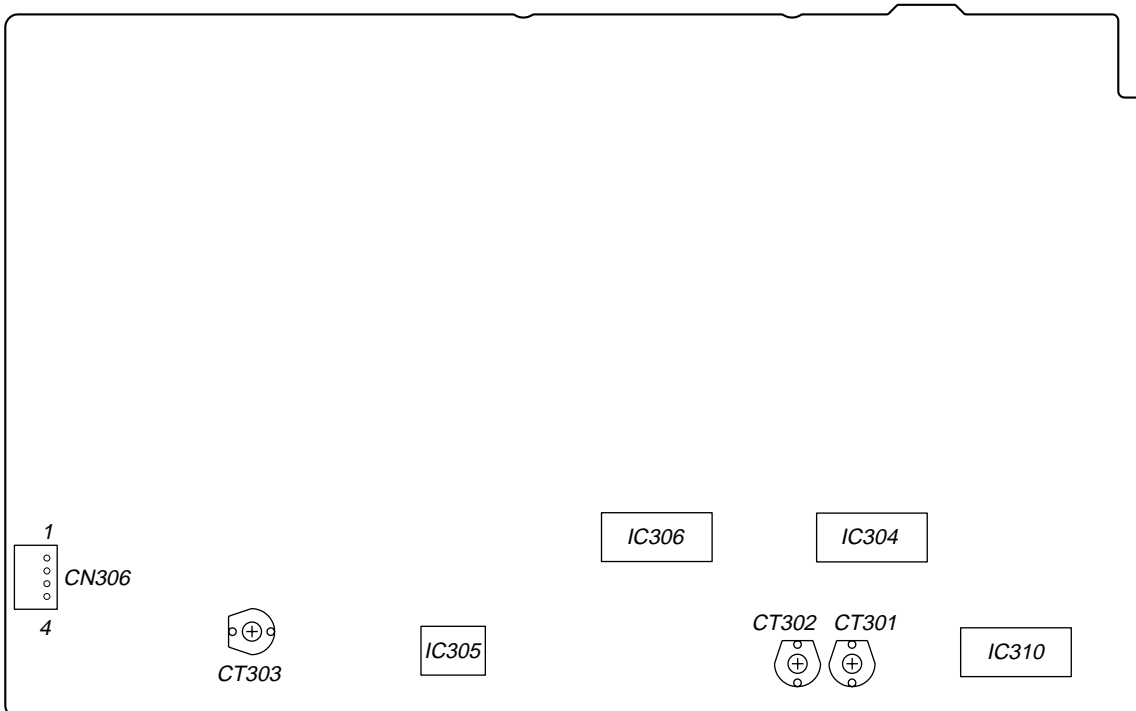
Procedure:

1. Short the CN306 pin ④ on the VIDEO board to the GND.
2. Connect a frequency counter to the CN306 pin ② on the VIDEO board.
3. Press the button to turn on the main power.
4. Press the button.
5. Press the button to display "COLOR SYSTEM".
6. Turn the JOG DIAL to display "NTSC".
7. Press the button to display "OSD H.POSITION".
8. Adjust the CT302 so that the frequency counter reading is 3.57954 MHz.
9. Press the button to display "COLOR SYSTEM".
10. Turn the JOG DIAL to display "PAL".
11. Press the button to display "OSD H.POSITION".
12. Adjust the CT301 so that the frequency counter reading is 4.43361 MHz.
13. Press the button to turn off the main power.
14. Connect a frequency counter to the CN306 pin ① on the VIDEO board.
15. Press the button to turn on the main power.
16. Press the button.
17. Press the button to display "OSD V.POSITION".
18. Adjust the CT303 so that the frequency counter reading is 7.20 MHz.

Note: The steps 5, 6 and 9 to 12 should be performed to the models except for the STR-DA2ES and STR-DB1080: Korean.

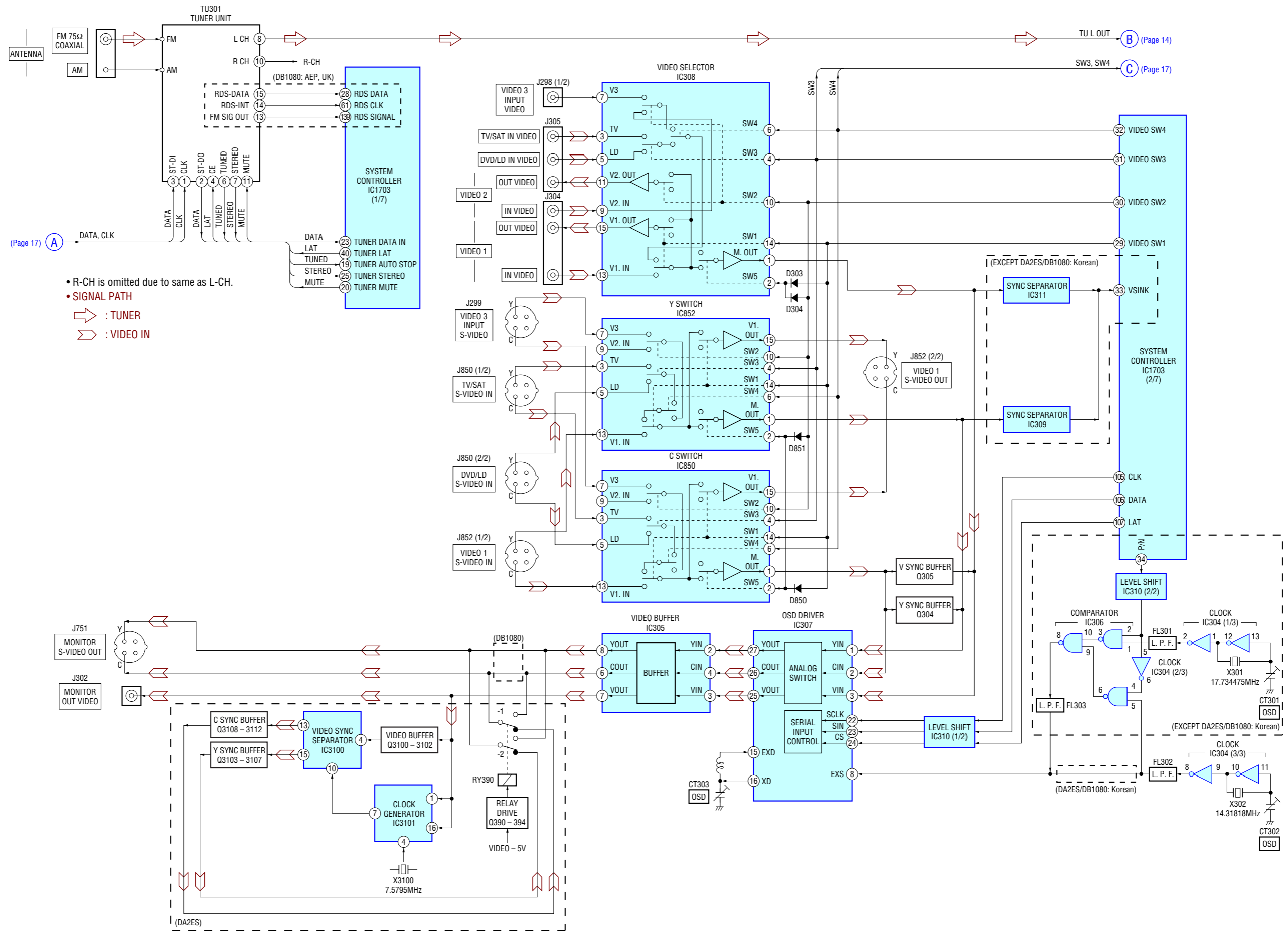
Adjustment and Connection Location:

– VIDEO BOARD (Component Side) –

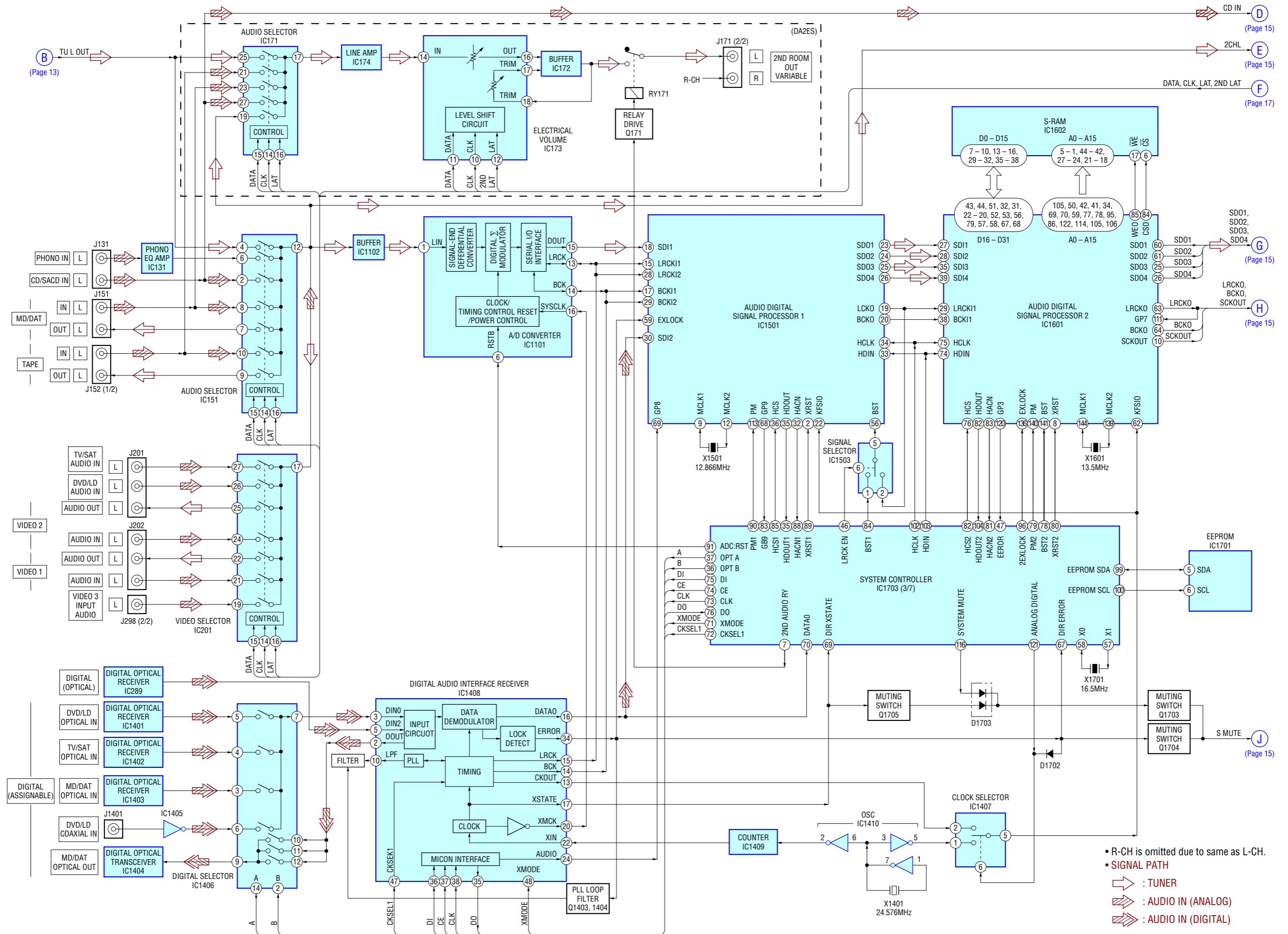


SECTION 6
DIAGRAMS

6-1. BLOCK DIAGRAM – TUNER/VIDEO INPUT Section –

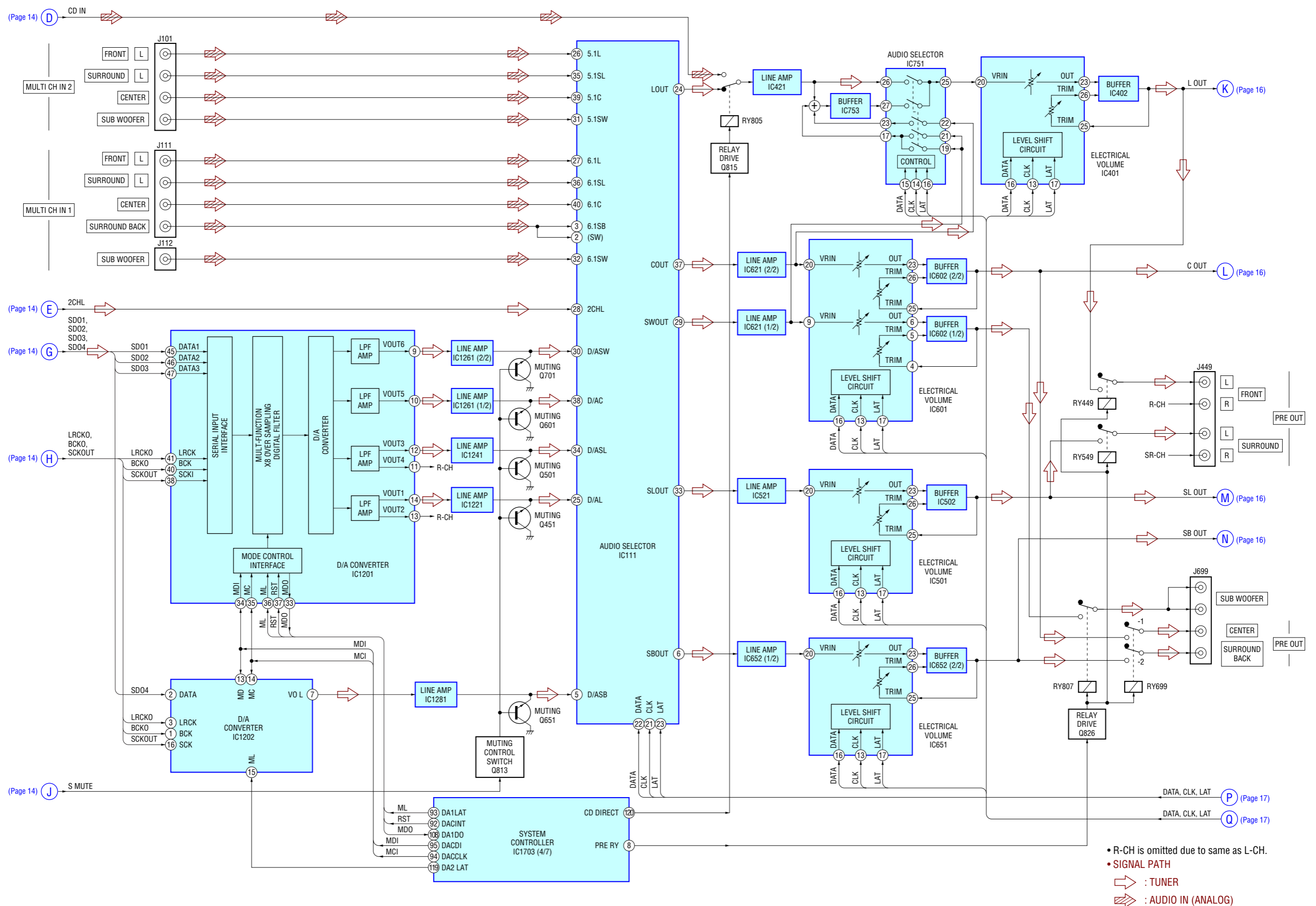


6-2. BLOCK DIAGRAM – AUDIO DSP Section –

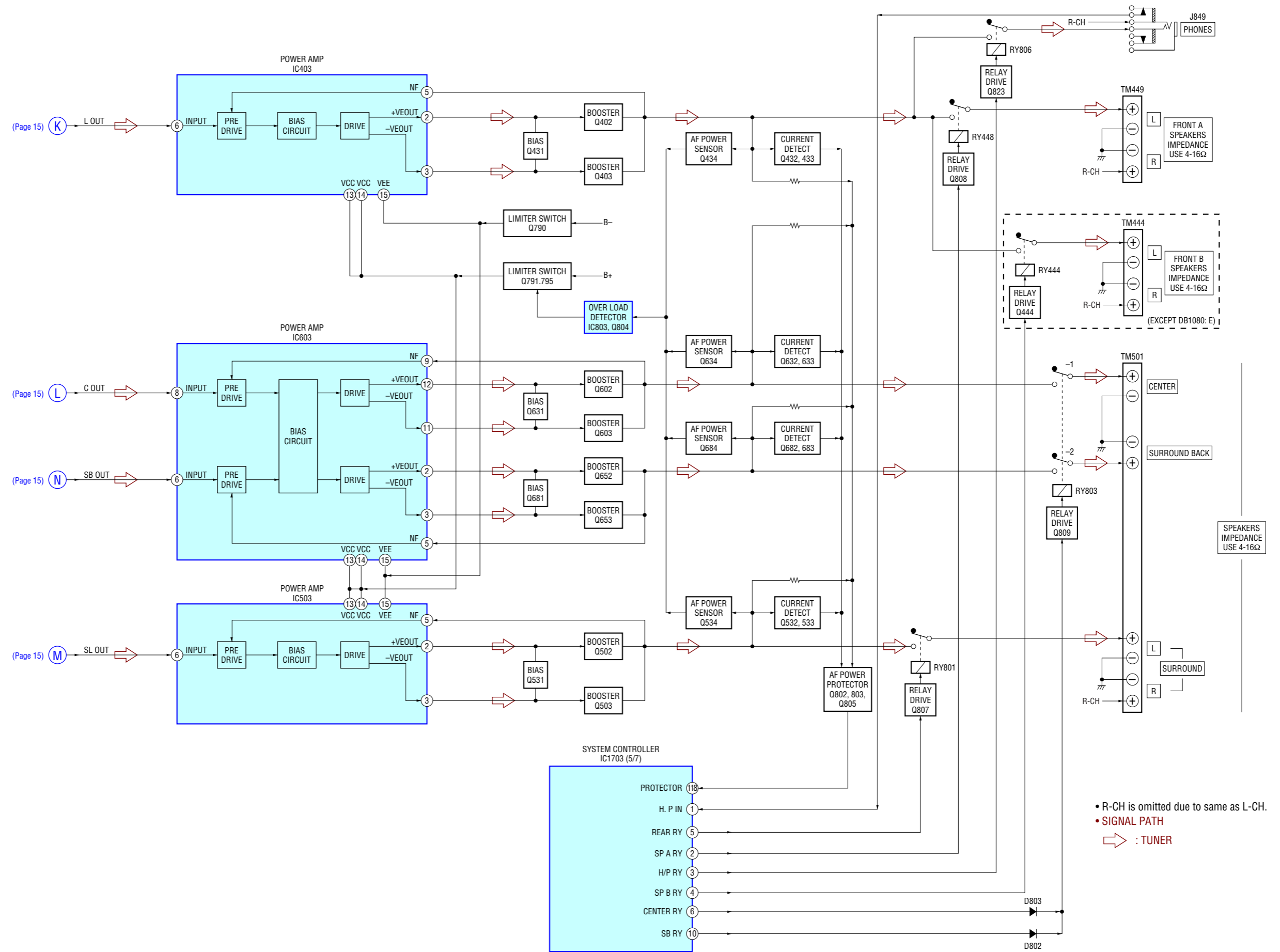


• R-CH is omitted due to same as L-CH.
 • SIGNAL PATH
 ➡ : TUNER
 ➡➡ : AUDIO IN (ANALOG)
 ➡➡➡ : AUDIO IN (DIGITAL)

6-3. BLOCK DIAGRAM – AUDIO CONTROL Section –

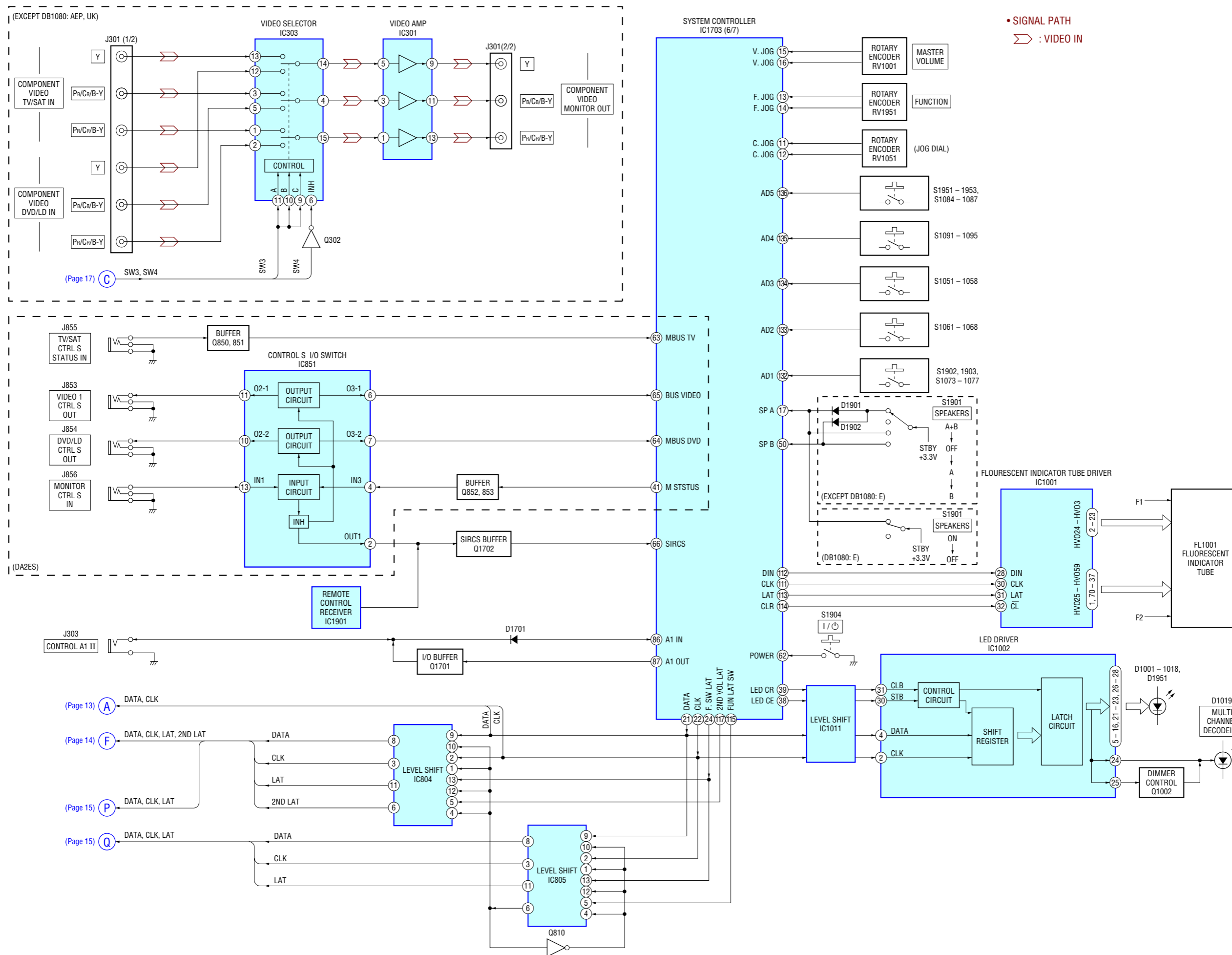


6-4. BLOCK DIAGRAM – POWER AMP Section –

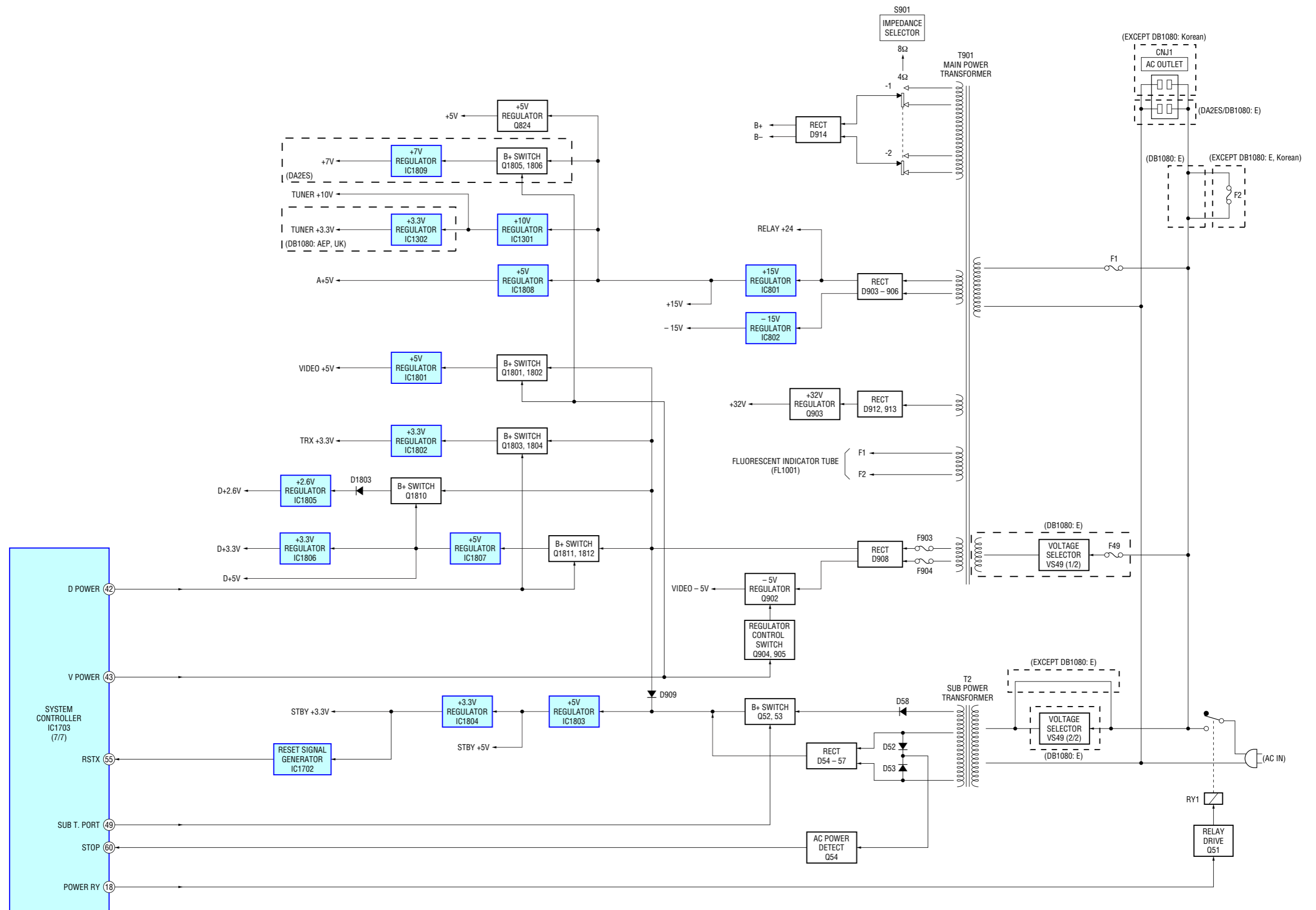


• R-CH is omitted due to same as L-CH.
 • SIGNAL PATH
 ⇨ : TUNER

6-5. BLOCK DIAGRAM – DISPLAY/KEY CONTROL Section –



6-6. BLOCK DIAGRAM – POWER SUPPLY Section –



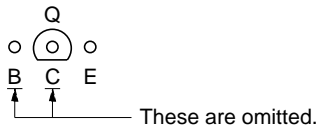
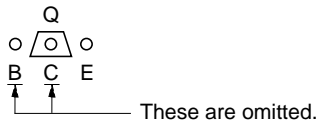
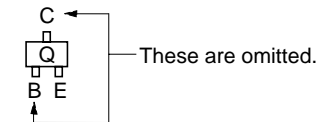
6-7. NOTE FOR PRINTED WIRING BOARDS AND SCHEMATIC DIAGRAMS

Note on Printed Wiring Board:

- — : parts extracted from the component side.
- : parts extracted from the conductor side.
- : Pattern from the side which enables seeing.
(The other layers' patterns are not indicated.)

Caution:
 Pattern face side: Parts on the pattern face side seen from the pattern face are indicated.
 (Conductor Side)
 Parts face side: Parts on the parts face side seen from the parts face are indicated.
 (Component Side)

- Indication of transistor



Note on Schematic Diagram:

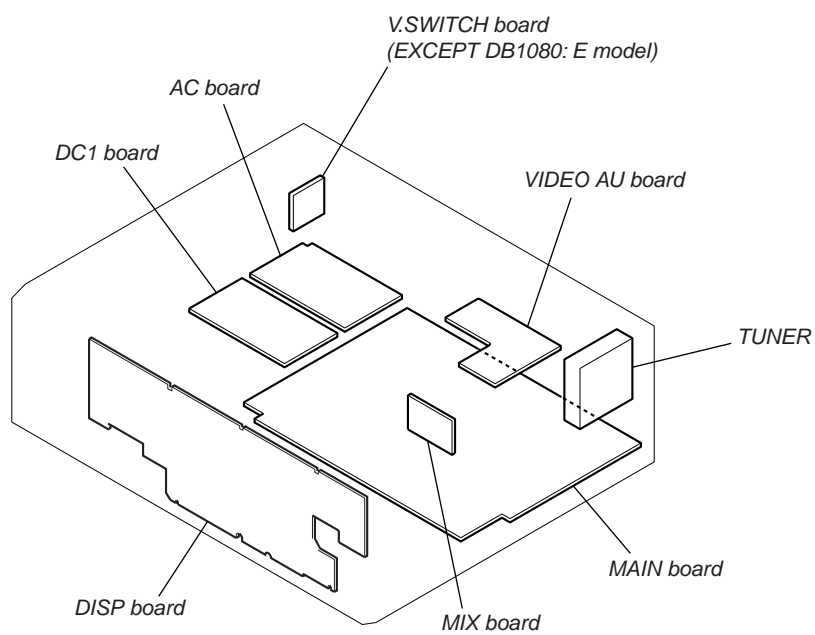
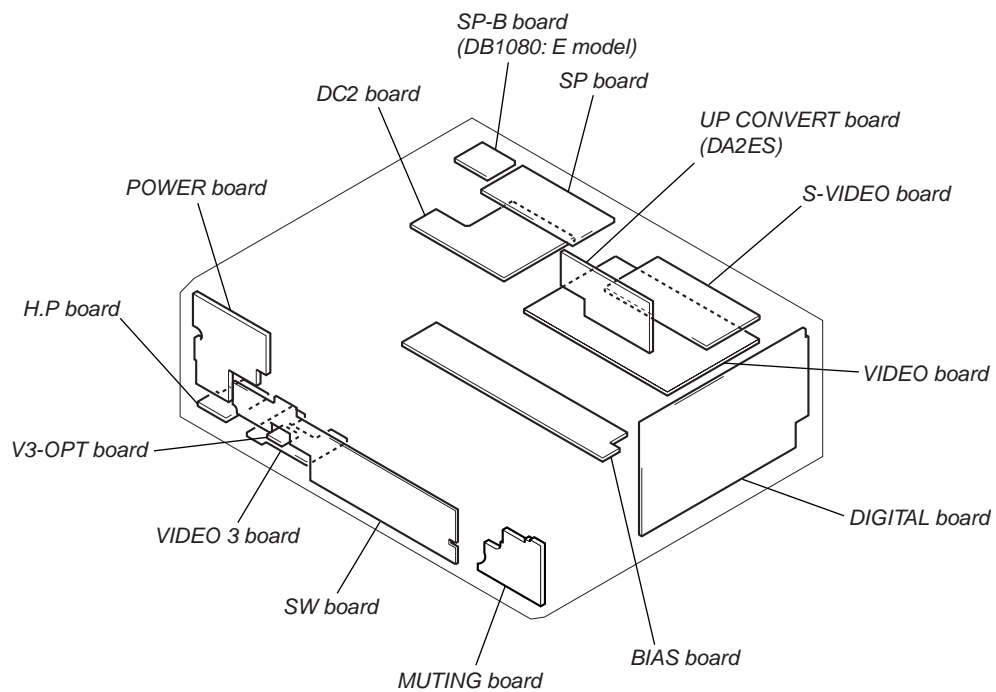
- All capacitors are in μF unless otherwise noted. pF: $\mu\mu\text{F}$ 50 WV or less are not indicated except for electrolytics and tantalums.
- All resistors are in Ω and $1/4\text{ W}$ or less unless otherwise specified.
- Δ : internal component.
- : nonflammable resistor.
- : panel designation.

Note:
 The components identified by mark Δ or dotted line with mark Δ are critical for safety. Replace only with part number specified.

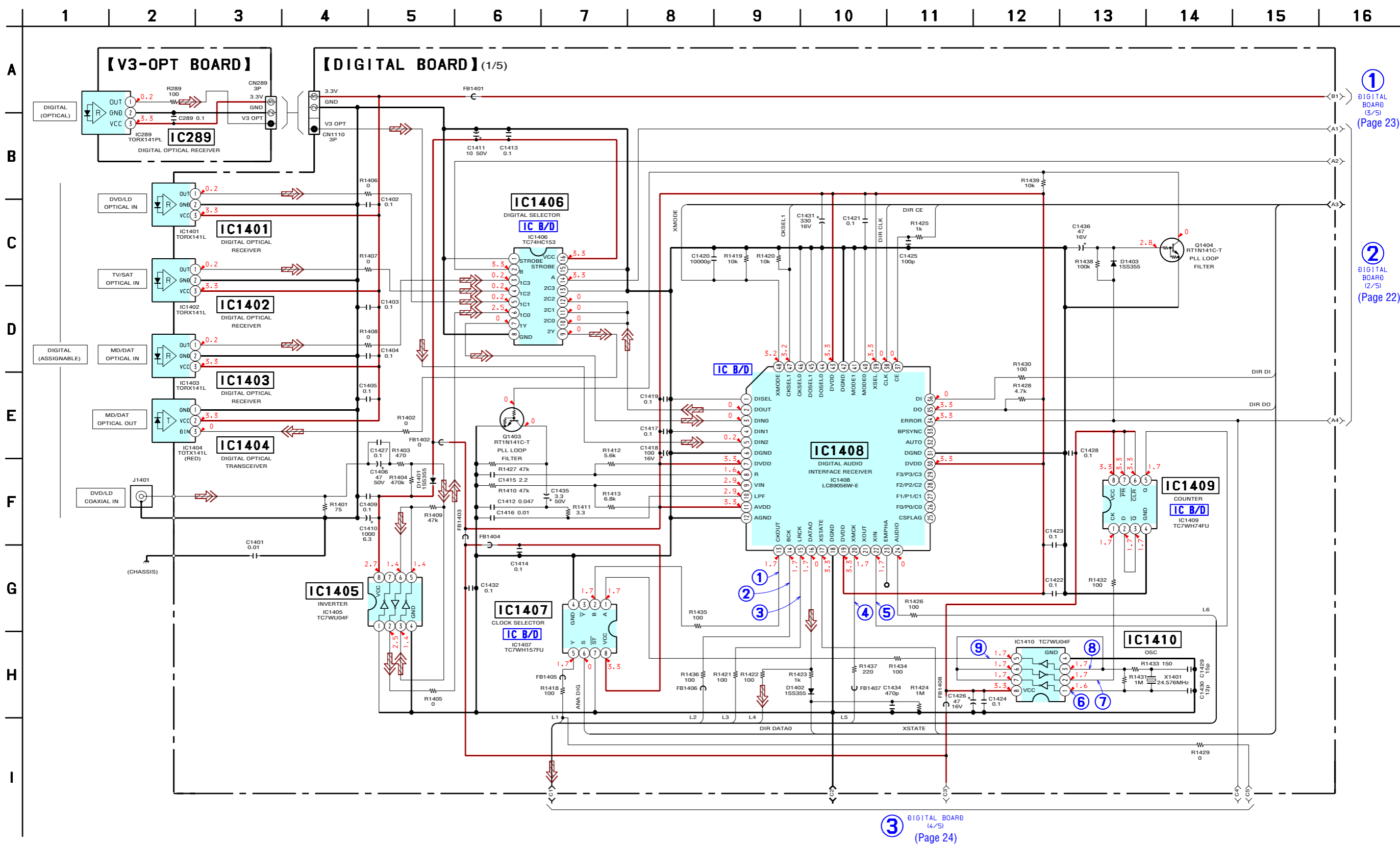
Note:
 Les composants identifiés par une marque Δ sont critiques pour la sécurité. Ne les remplacer que par une pièce portant le numéro spécifié.

- : B+ Line.
- : B- Line.
- Voltages and waveforms are dc with respect to ground under no-signal (detuned) conditions.
 no mark : TUNER
 () : VIDEO 1
 * : Impossible to measure
- Voltages are taken with a VOM (Input impedance 10 M Ω). Voltage variations may be noted due to normal production tolerances.
- Waveforms are taken with a oscilloscope. Voltage variations may be noted due to normal production tolerances.
- Circled numbers refer to waveforms.
- Signal path.
 : TUNER
 : AUDIO IN (ANALOG)
 : AUDIO IN (DIGITAL)
 : VIDEO IN
- Abbreviation
 CND : Canadian model
 KR : Korean model
 MY : Malaysia model
 SP : Singapore model

• Circuit Boards Location



6-8. SCHEMATIC DIAGRAM – DIGITAL (1/5)/V-3 OPT Boards – • See page 48 for Waveforms. • See page 50 for IC Block Diagrams.

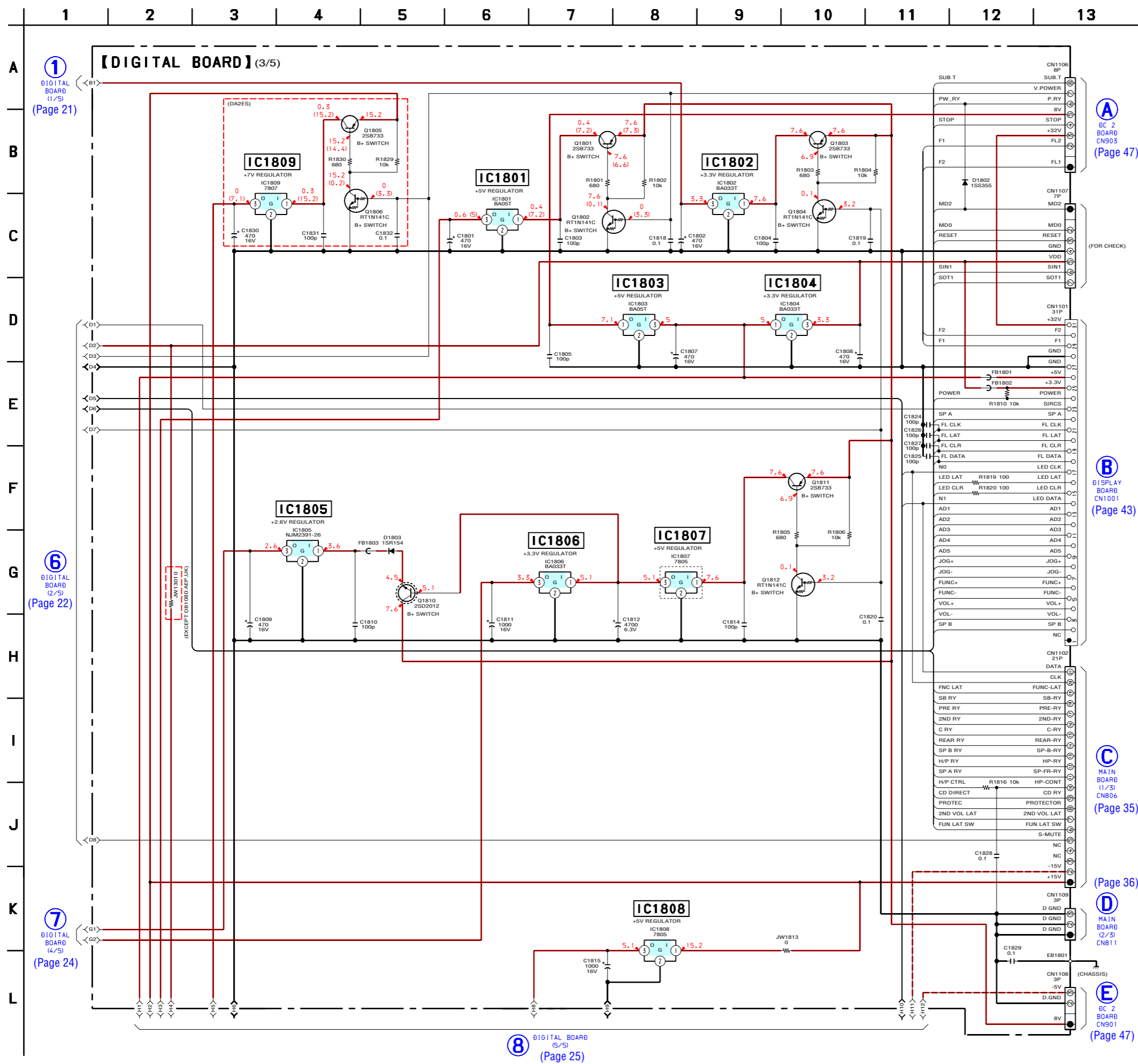


1
DIGITAL BOARD (3/5)
(Page 23)

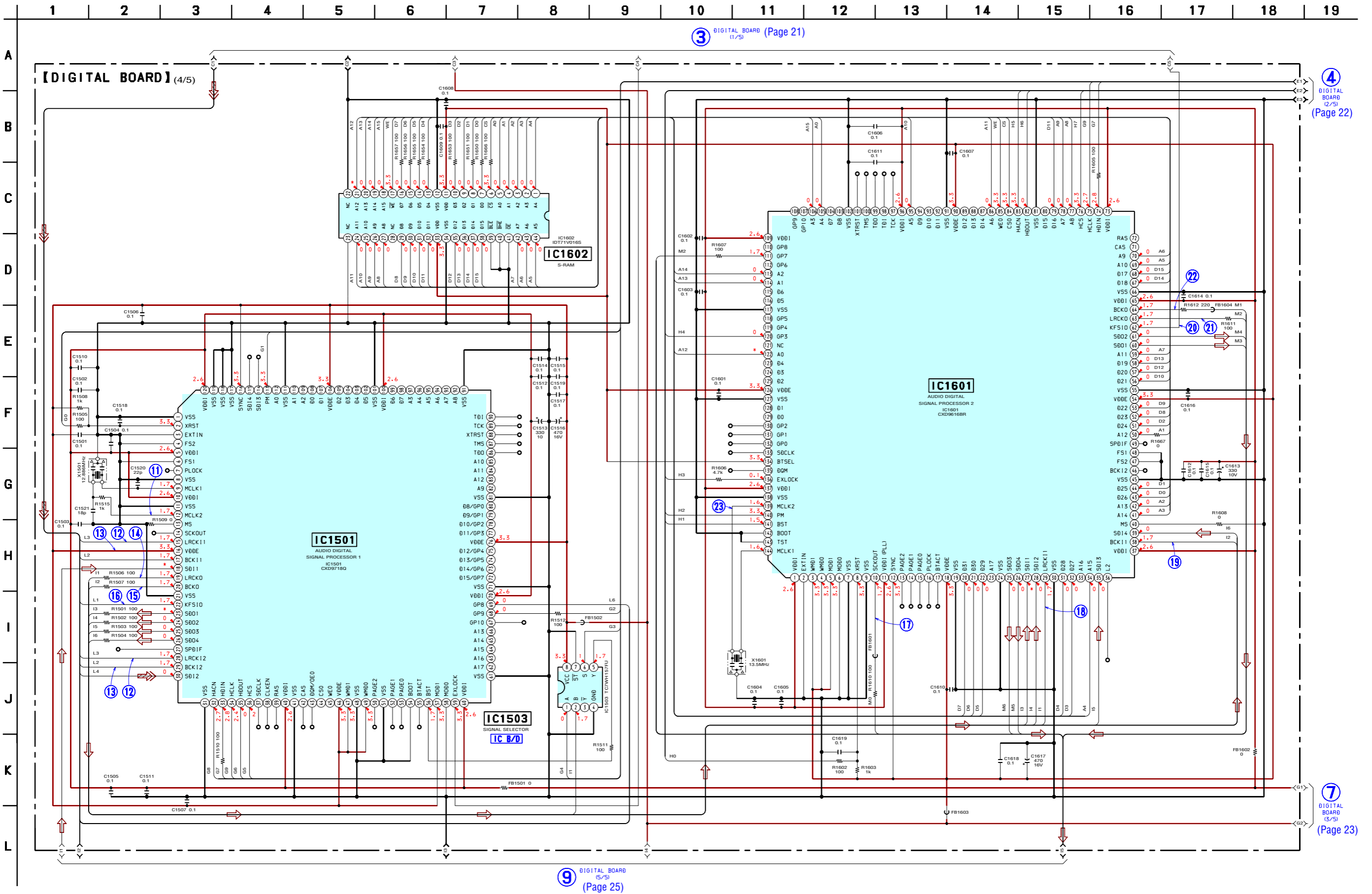
2
DIGITAL BOARD (2/5)
(Page 22)

3
DIGITAL BOARD (4/5)
(Page 24)

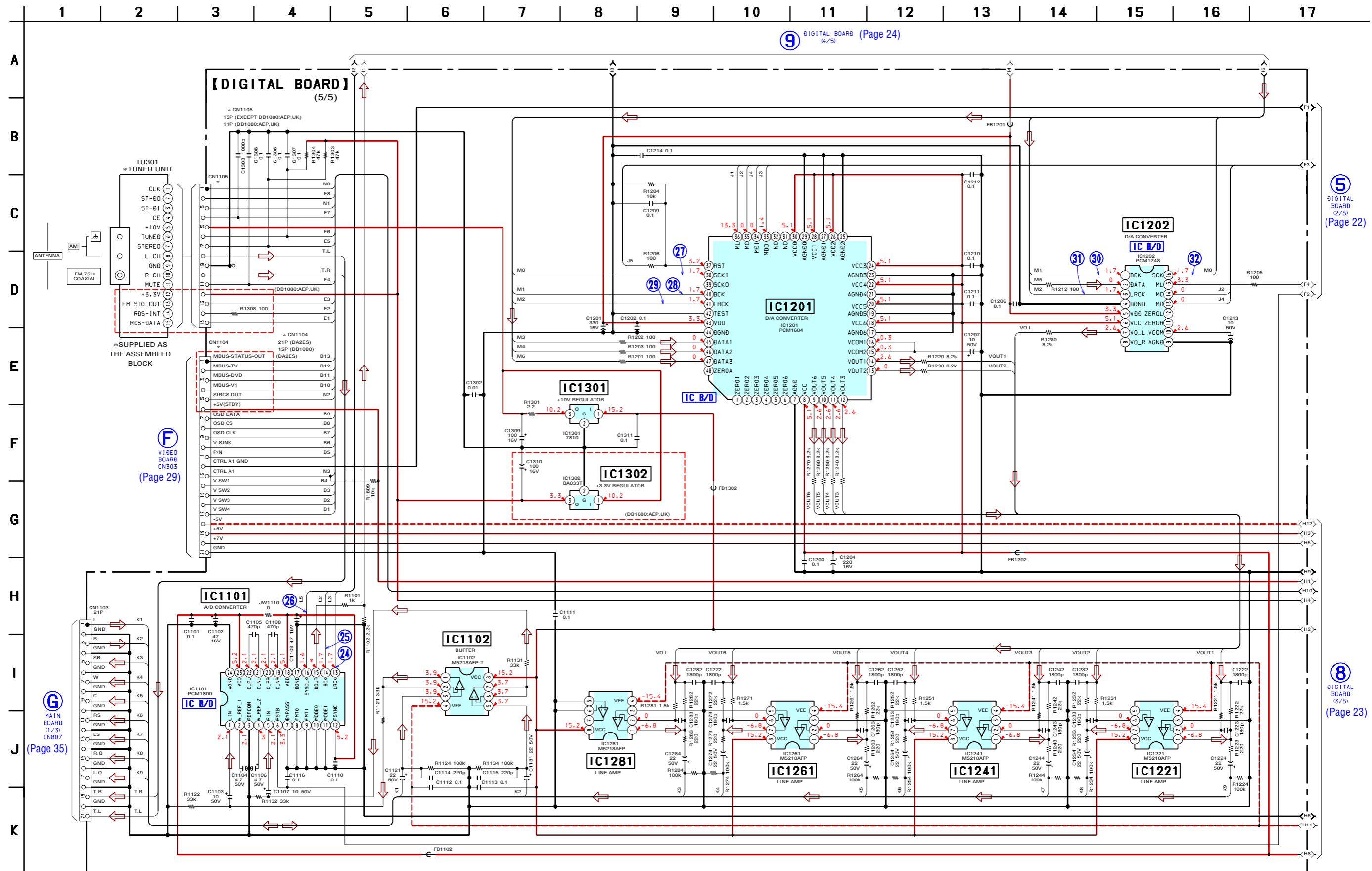
6-10. SCHEMATIC DIAGRAM – DIGITAL Board (3/5) –



6-11. SCHEMATIC DIAGRAM – DIGITAL Board (4/5) – • See page 48 for Waveforms. • See page 50 for IC Block Diagram.



6-12. SCHEMATIC DIAGRAM – DIGITAL Board (5/5) – • See page 48 for Waveforms. • See page 50 for IC Block Diagrams.



9 DIGITAL BOARD (4/5) (Page 24)

5 DIGITAL BOARD (2/5) (Page 22)

F V10E0 BOARD CN303 (Page 29)

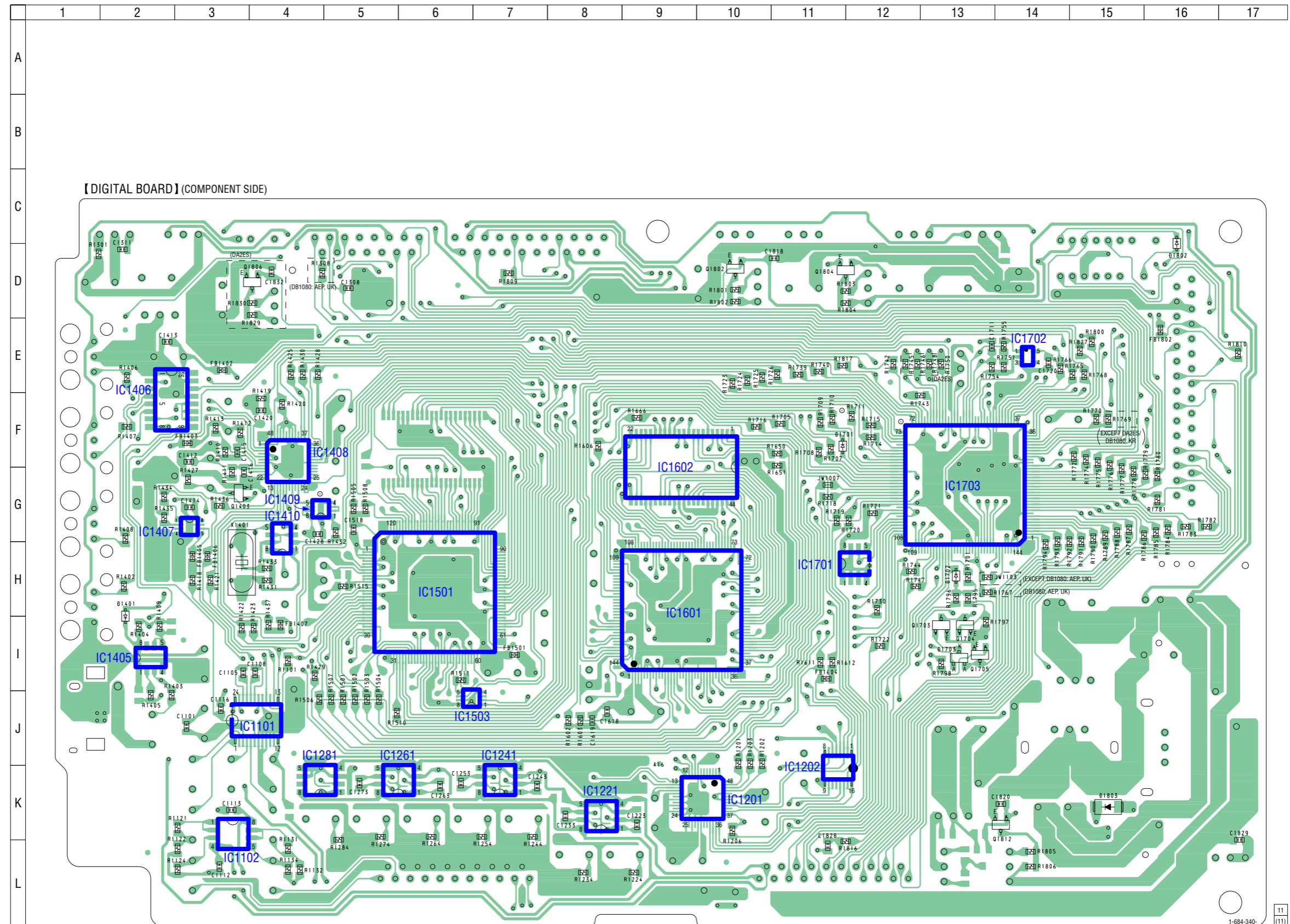
G MAIN BOARD (1/3) CN807 (Page 35)

8 DIGITAL BOARD (3/5) (Page 23)

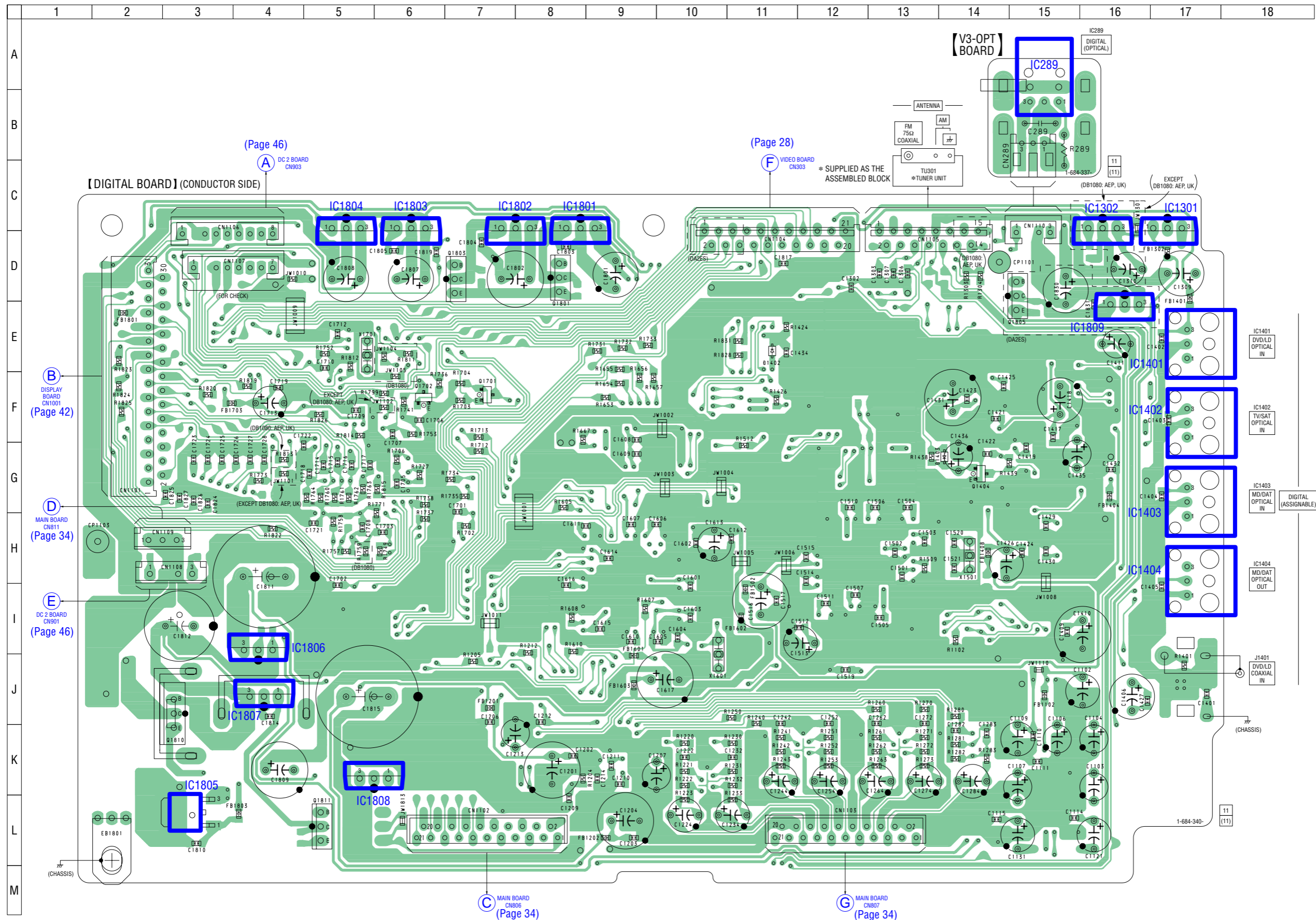
6-13. PRINTED WIRING BOARD – DIGITAL Board (Component Side) – • See page 20 for Circuit Boards Location.

• Semiconductor Location

Ref. No.	Location
D1401	H-2
D1701	F-11
D1702	H-13
D1703	I-13
D1802	D-16
D1803	K-15
IC1101	J-4
IC1102	K-3
IC1201	K-10
IC1202	K-11
IC1221	K-8
IC1241	K-7
IC1261	K-5
IC1281	K-4
IC1405	I-2
IC1406	F-2
IC1407	G-3
IC1408	F-4
IC1409	G-4
IC1410	G-4
IC1501	H-6
IC1503	J-6
IC1601	H-9
IC1602	F-9
IC1701	H-12
IC1702	E-14
IC1703	G-13
Q1403	G-3
Q1703	I-13
Q1704	I-13
Q1705	I-13
Q1802	D-10
Q1803	D-11
Q1806	D-4
Q1812	K-14



6-14. PRINTED WIRING BOARDS – DIGITAL (Conductor Side)/V-3 OPT Boards – • See page 20 for Circuit Boards Location.



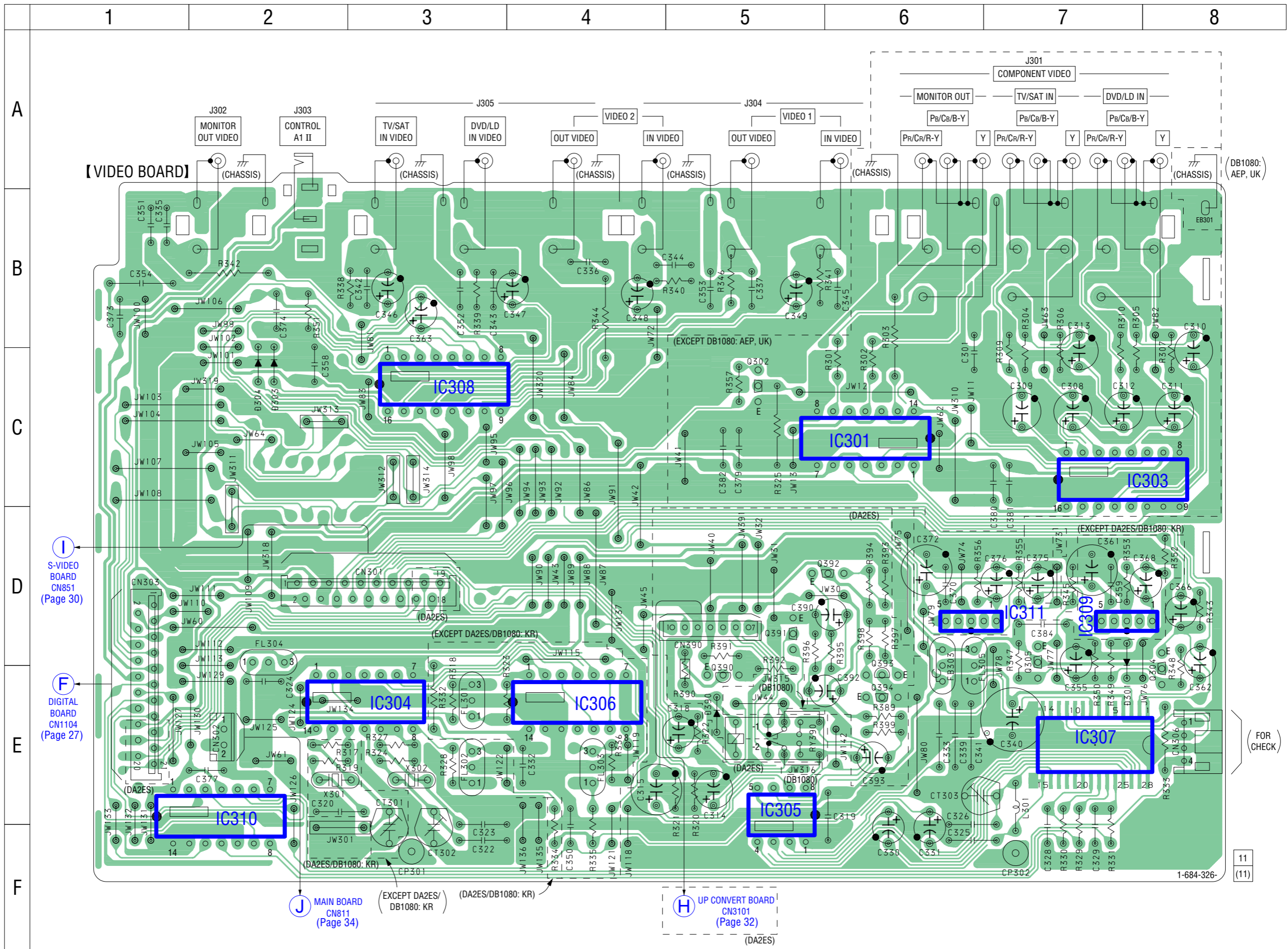
• Semiconductor Location

Ref. No.	Location
D1402	E-11
D1403	G-14
IC289	B-15
IC1301	C-17
IC1302	C-16
IC1401	E-17
IC1402	F-17
IC1403	G-17
IC1404	H-17
IC1801	C-8
IC1802	C-7
IC1803	C-6
IC1804	C-5
IC1805	L-3
IC1806	I-4
IC1807	J-4
IC1808	K-5
IC1809	E-16
Q1404	G-14
Q1701	F-7
Q1702	F-6
Q1801	D-8
Q1804	D-7
Q1805	D-15
Q1810	J-3
Q1811	L-5

6-15. PRINTED WIRING BOARD – VIDEO Board – • See page 20 for Circuit Boards Location.

• Semiconductor Location

Ref. No.	Location
D301	D-7
D303	C-2
D304	C-2
D390	E-5
IC301	C-6
IC303	C-7
IC304	E-3
IC305	E-5
IC306	E-4
IC307	E-7
IC308	C-3
IC309	D-7
IC310	E-2
IC311	D-6
Q302	C-5
Q304	E-8
Q305	D-7
Q390	E-5
Q391	D-5
Q392	D-6
Q393	E-6
Q394	E-6



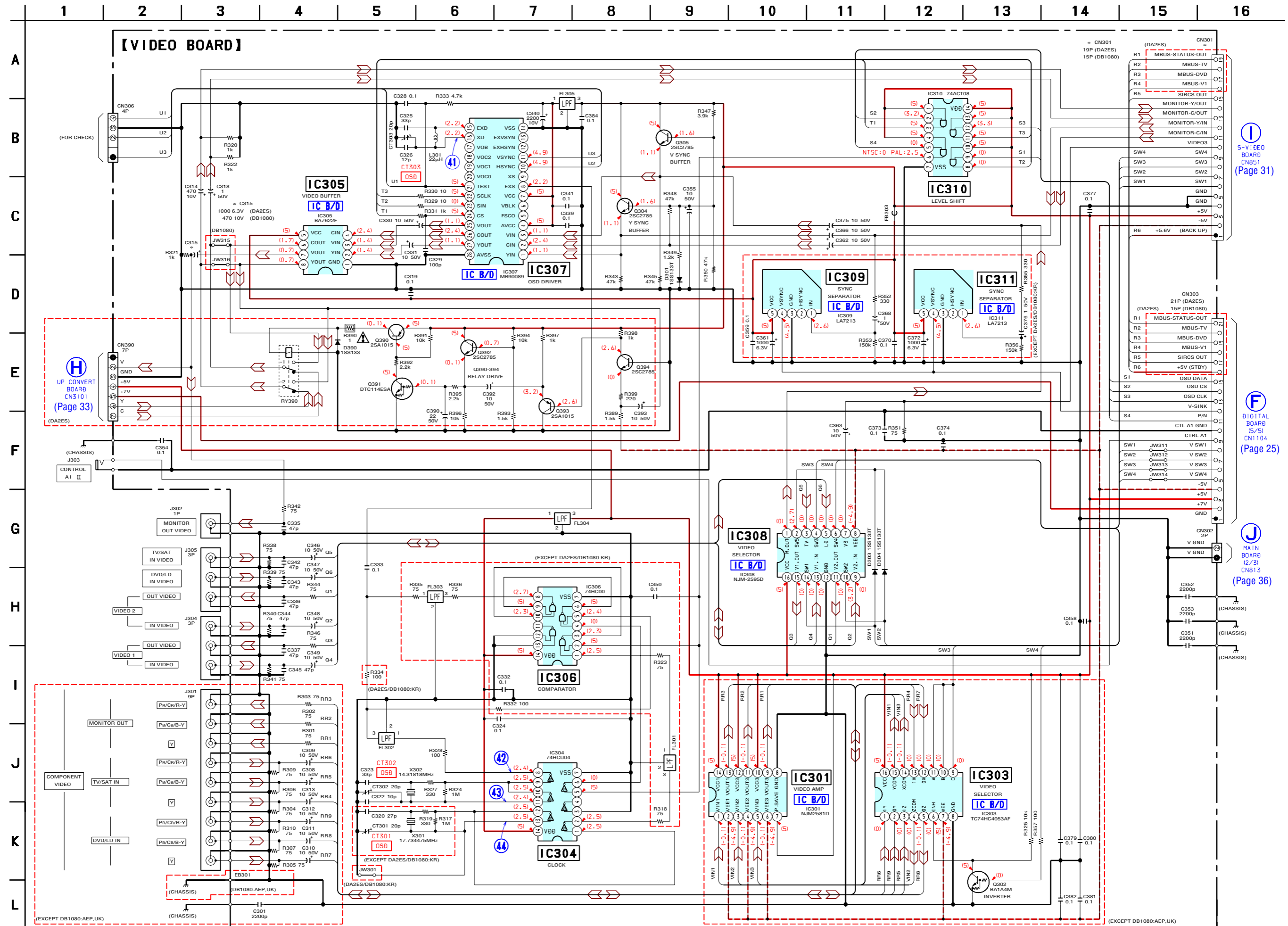
DB1080: AEP, UK

(FOR CHECK)

11 (11)

1-684-326-

6-16. SCHEMATIC DIAGRAM – VIDEO Board – • See page 48 for Waveforms. • See page 50 for IC Block Diagrams.



5-VIBEO BOARD CN851 (Page 31)

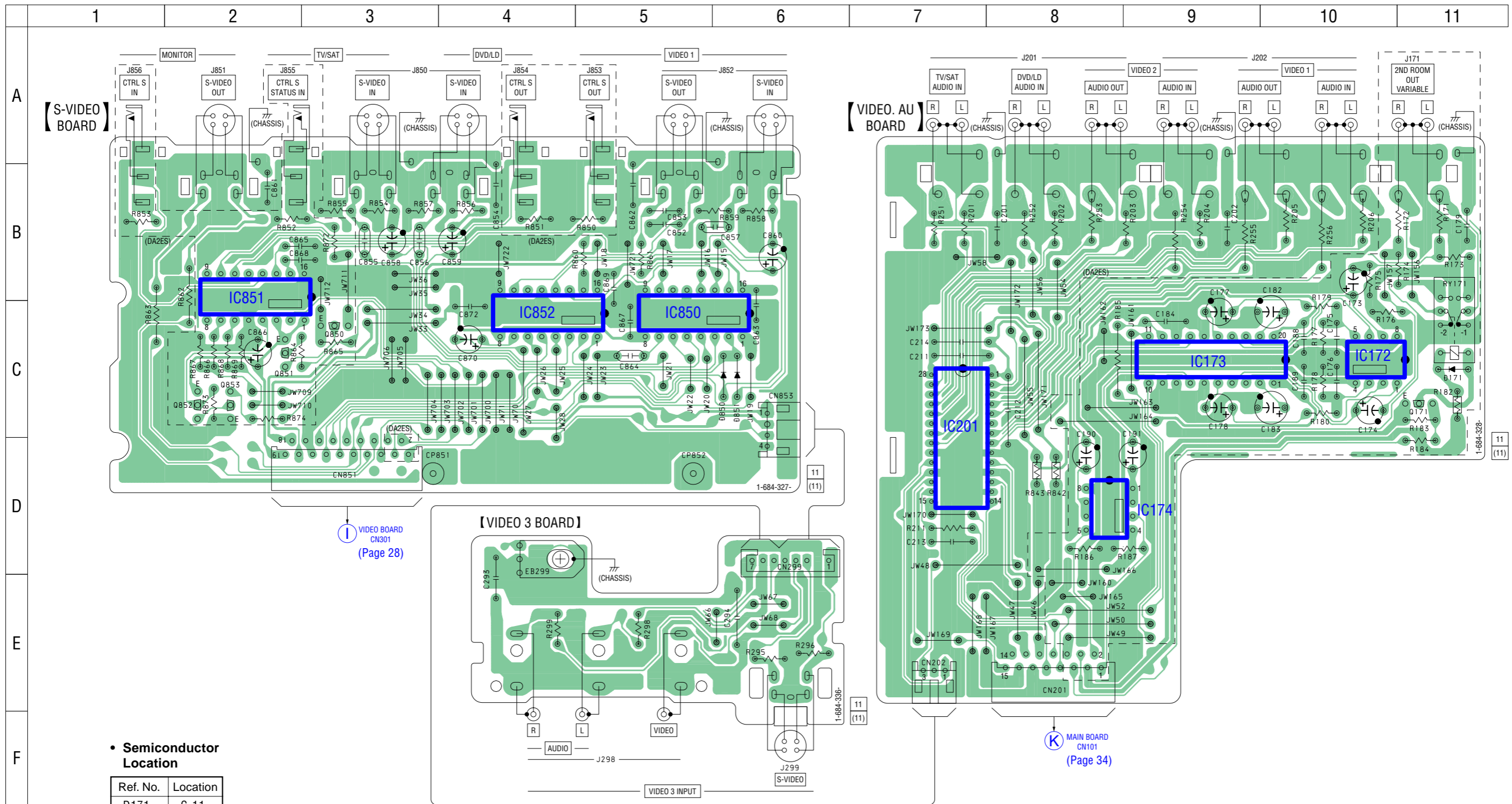
F DIGITAL BOARD (5/5) CN1104 (Page 25)

J MAIN BOARD (2/3) CN13 (Page 36)

The components identified by mark Δ or dotted line with mark Δ are critical for safety. Replace only with part number specified.

Les composants identifiés par une marque Δ sont critiques pour la sécurité. Ne les remplacer que par une pièce portant le numéro spécifié.

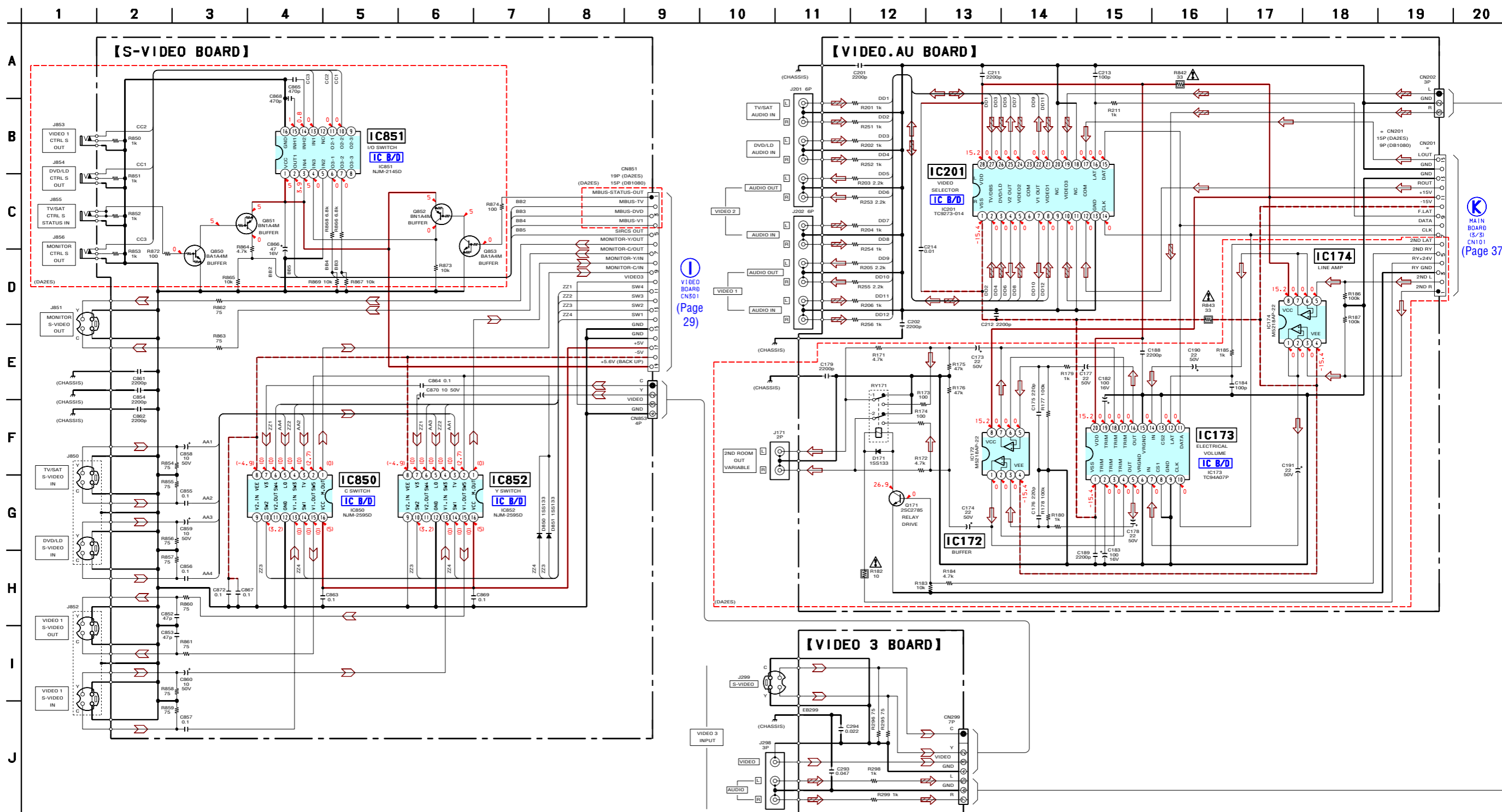
6-17. PRINTED WIRING BOARDS – S-VIDEO/VIDEO 3/VIDEO.AU Boards – • See page 20 for Circuit Boards Location.



• Semiconductor Location

Ref. No.	Location
D171	C-11
D850	C-6
D851	C-6
IC172	C-10
IC173	C-9
IC174	D-8
IC201	C-7
IC850	C-5
IC851	B-2
IC852	C-4
Q171	C-11
Q850	C-3
Q851	C-2
Q852	C-2
Q853	C-2

6-18. SCHEMATIC DIAGRAM – S-VIDEO/VIDEO 3/VIDEO.AU Boards – • See page 50 for IC Block Diagrams.

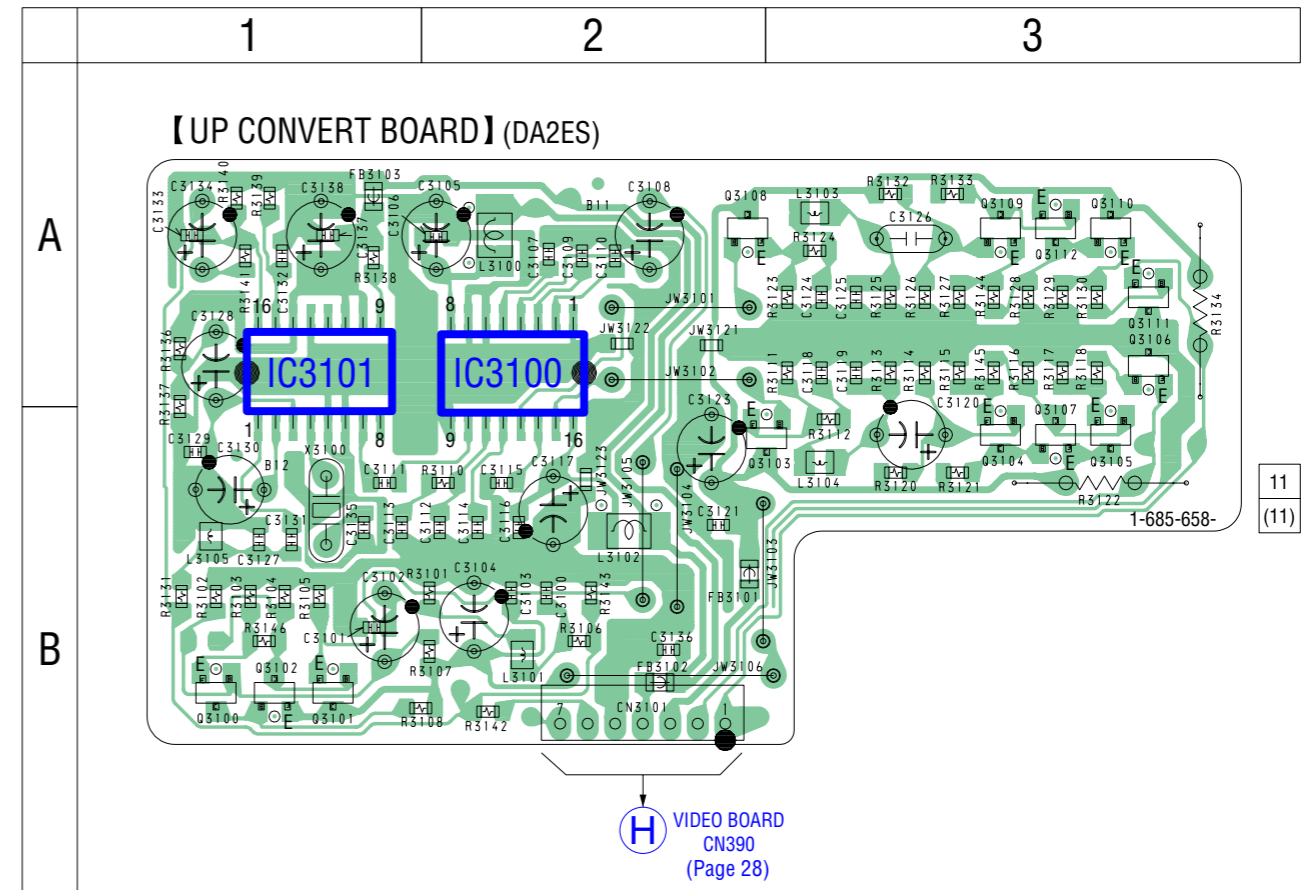


VIDEO BOARD CN501 (Page 29)

MAIN BOARD (S/3) CN101 (Page 37)

The components identified by mark Δ or dotted line with mark Δ are critical for safety. Replace only with part number specified. Les composants identifiés par une marque Δ sont critiques pour la sécurité. Ne les remplacer que par une pièce portant le numéro spécifié.

6-19. PRINTED WIRING BOARD – UP CONVERT Board – • See page 20 for Circuit Boards Location.

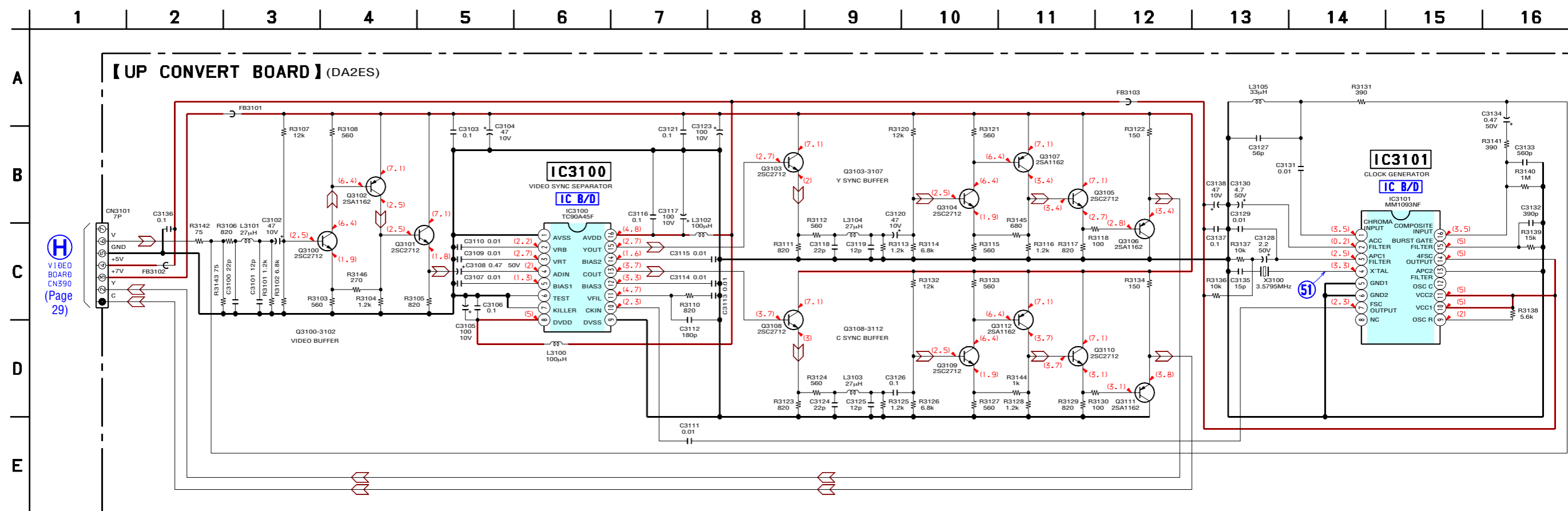


11
(11)

• Semiconductor Location

Ref. No.	Location
IC3100	A-2
IC3101	A-1
Q3100	B-1
Q3101	B-1
Q3102	B-1
Q3103	B-3
Q3104	B-3
Q3105	B-3
Q3106	A-3
Q3107	B-3
Q3108	A-2
Q3109	A-3
Q3110	A-3
Q3111	A-3
Q3112	A-3

6-20. SCHEMATIC DIAGRAM – UP CONVERT Board – • See page 48 for Waveform. • See page 50 for IC Block Diagrams.

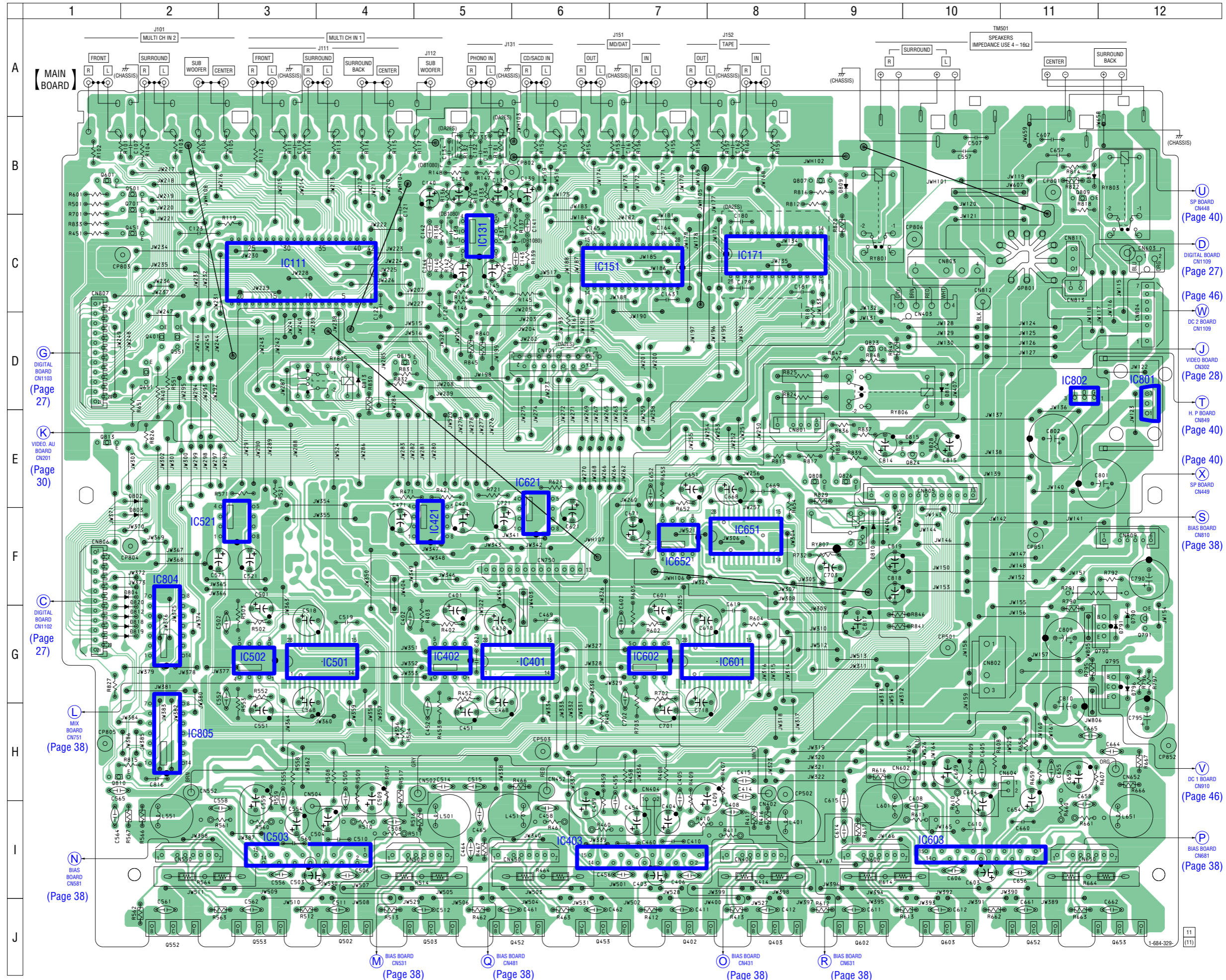


(H) VIDEO BOARD CN390 (Page 29)

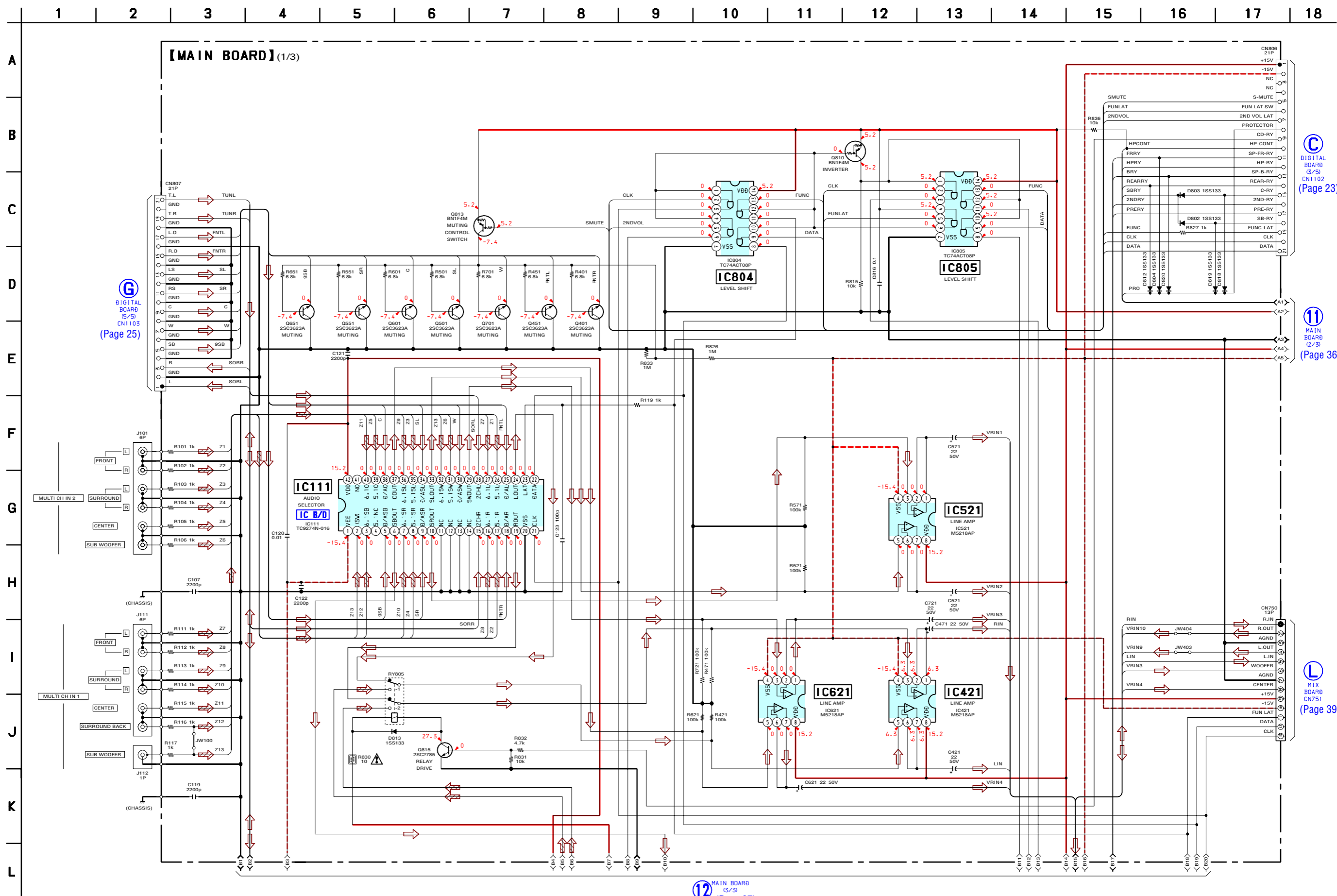
6-21. PRINTED WIRING BOARD – MAIN Board – • See page 20 for Circuit Boards Location.

• Semiconductor Location

Ref. No.	Location
D790	G-12
D791	G-12
D796	G-12
D802	E-2
D804	F-2
D809	B-9
D810	F-9
D811	B-11
D812	G-2
D813	D-4
D814	D-10
D815	E-10
D818	G-2
D819	G-2
D820	G-2
IC111	C-3
IC131	C-5
IC151	C-7
IC171	C-8
IC401	G-6
IC402	G-5
IC403	I-7
IC421	F-5
IC501	G-4
IC502	G-3
IC503	I-3
IC521	F-3
IC601	G-8
IC602	G-7
IC603	I-10
IC621	F-3
IC651	F-8
IC652	F-7
IC801	D-12
IC802	D-11
IC804	G-2
IC805	H-2
Q401	D-2
Q402	J-7
Q403	J-8
Q451	C-2
Q452	J-6
Q453	J-6
Q501	B-2
Q502	J-4
Q503	J-5
Q551	D-2
Q552	J-2
Q553	J-3
Q601	B-1
Q602	J-9
Q603	J-10
Q651	D-2
Q652	J-11
Q653	J-12
Q701	B-2
Q790	G-12
Q791	G-12
Q795	G-12
Q807	B-9
Q808	E-9
Q809	B-11
Q810	H-1
Q813	E-10
Q815	D-4
Q823	D-9
Q824	E-10
Q826	E-9



6-22. SCHEMATIC DIAGRAM – MAIN Board (1/3) – • See page 50 for IC Block Diagram.



G
DIGITAL BOARD (5/5)
CN1103
(Page 25)

C
DIGITAL BOARD (3/5)
CN1102
(Page 23)

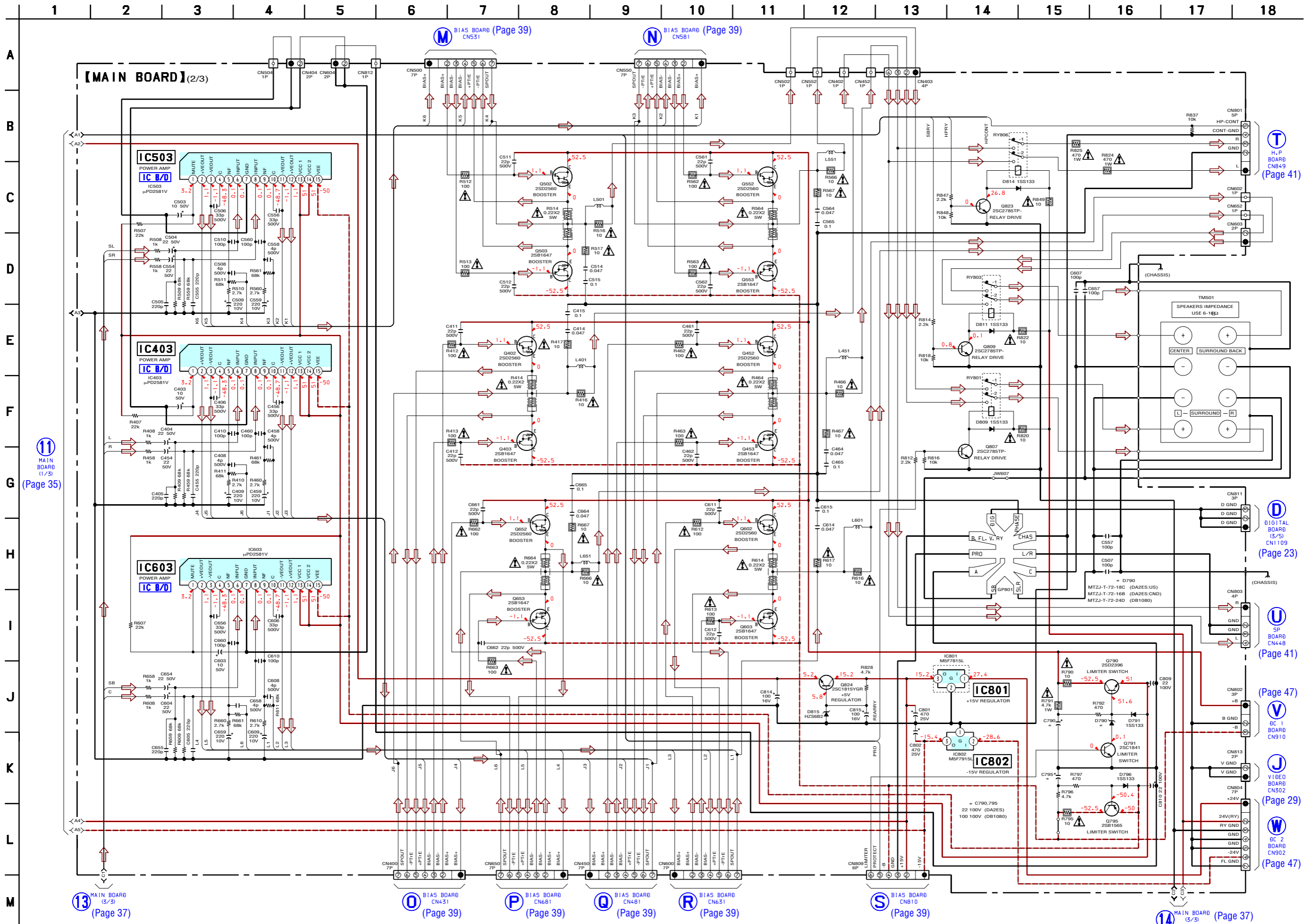
11
MAIN BOARD (2/3)
(Page 36)

L
MIX BOARD CN751
(Page 39)

12 MAIN BOARD (3/3)
(Page 37)

The components identified by mark Δ or dotted line with mark Δ are critical for safety. Replace only with part number specified.

Les composants identifiés par une marque Δ sont critiques pour la sécurité. Ne les remplacer que par une pièce portant le numéro spécifié.



11 MAIN BOARD (1/3) (Page 35)

13 MAIN BOARD (3/3) (Page 37)

O BIAS BOARD CN431 (Page 39)

P BIAS BOARD CN481 (Page 39)

Q BIAS BOARD CN481 (Page 39)

R BIAS BOARD CN631 (Page 39)

S BIAS BOARD CN610 (Page 39)

14 MAIN BOARD (3/3) (Page 37)

T H.P. BOARD CN849 (Page 41)

D DIGITAL BOARD (3/5) CN1109 (Page 23)

U SP BOARD CN448 (Page 41)

V (Page 47)

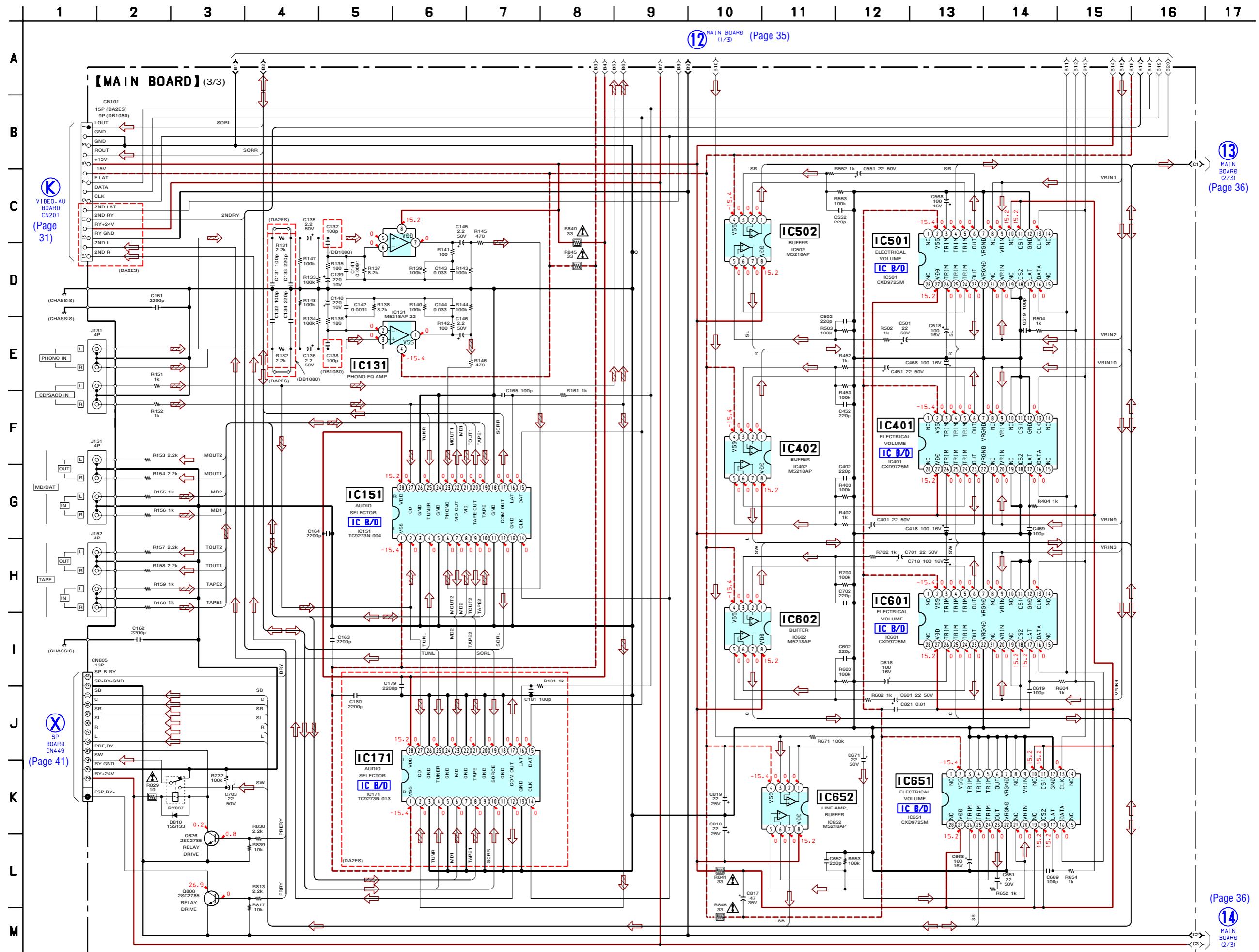
J VIDEO BOARD CN302 (Page 29)

W IC 2 BOARD CN902 (Page 47)

The components identified by mark Δ or dotted line with mark Δ are critical for safety. Replace only with part number specified.

Les composants identifiés par une marque Δ sont critiques pour la sécurité. Ne les remplacer que par une pièce portant le numéro spécifié.

6-24. SCHEMATIC DIAGRAM – MAIN Board (3/3) – • See page 50 for IC Block Diagrams.



12 MAIN BOARD (1/3) (Page 35)

13 MAIN BOARD (2/3) (Page 36)

14 MAIN BOARD (2/3) (Page 36)

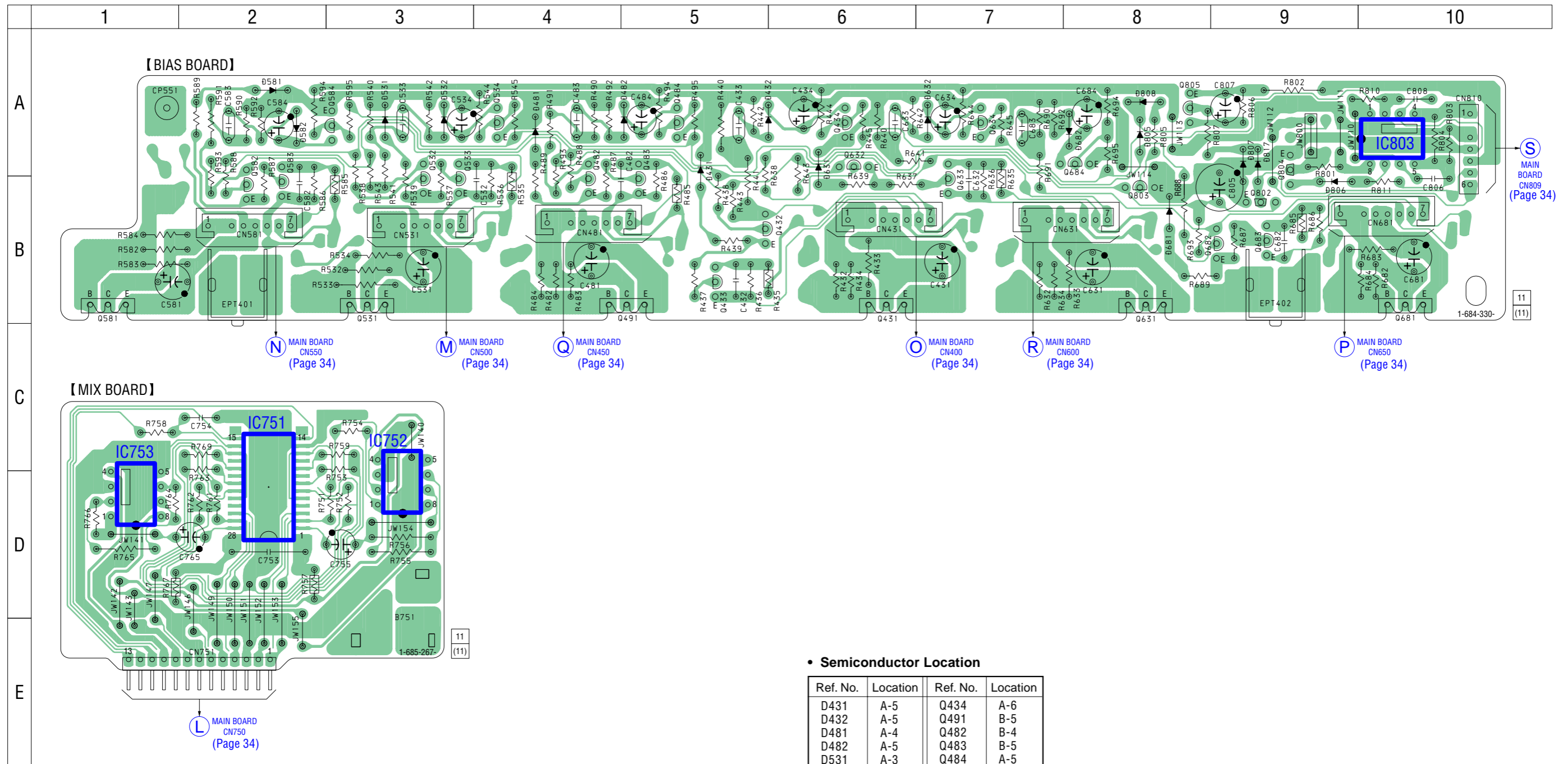
K VIDEO-AU BOARD CN201 (Page 31)

X SP BOARD CN409 (Page 41)

The components identified by mark Δ or dotted line with mark Δ are critical for safety. Replace only with part number specified.

Les composants identifiés par une marque Δ sont critiques pour la sécurité. Ne les remplacer que par une pièce portant le numéro spécifié.

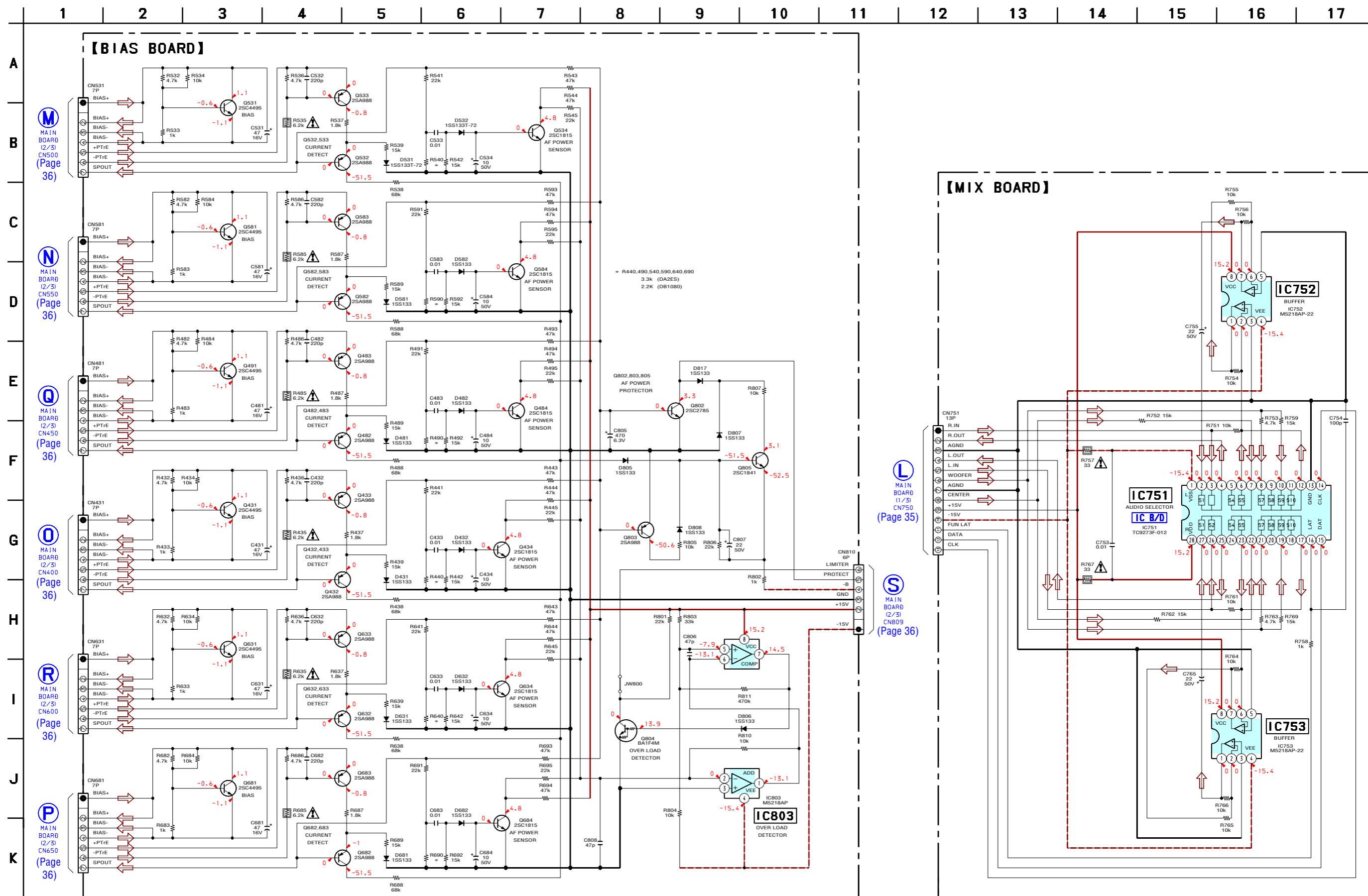
6-25. PRINTED WIRING BOARDS – BIAS/MIX Boards – • See page 20 for Circuit Boards Location.



• Semiconductor Location

Ref. No.	Location	Ref. No.	Location
D431	A-5	Q434	A-6
D432	A-5	Q491	B-5
D481	A-4	Q482	B-4
D482	A-5	Q483	B-5
D531	A-3	Q484	A-5
D532	A-3	Q531	B-3
D581	A-2	Q532	B-3
D582	A-2	Q533	B-3
D631	A-6	Q534	A-4
D632	A-7	Q581	B-1
D681	B-8	Q582	B-2
D682	A-8	Q583	B-2
D805	A-8	Q584	A-3
D806	B-9	Q631	B-8
D807	A-9	Q632	A-6
D808	A-8	Q633	B-7
D817	A-9	Q634	A-7
		Q681	B-10
IC751	D-2	Q682	B-9
IC752	D-3	Q683	B-9
IC753	D-1	Q684	A-8
IC803	A-10	Q802	B-9
		Q803	B-8
Q431	B-6	Q804	A-9
Q432	B-5	Q805	A-8
Q433	B-5		

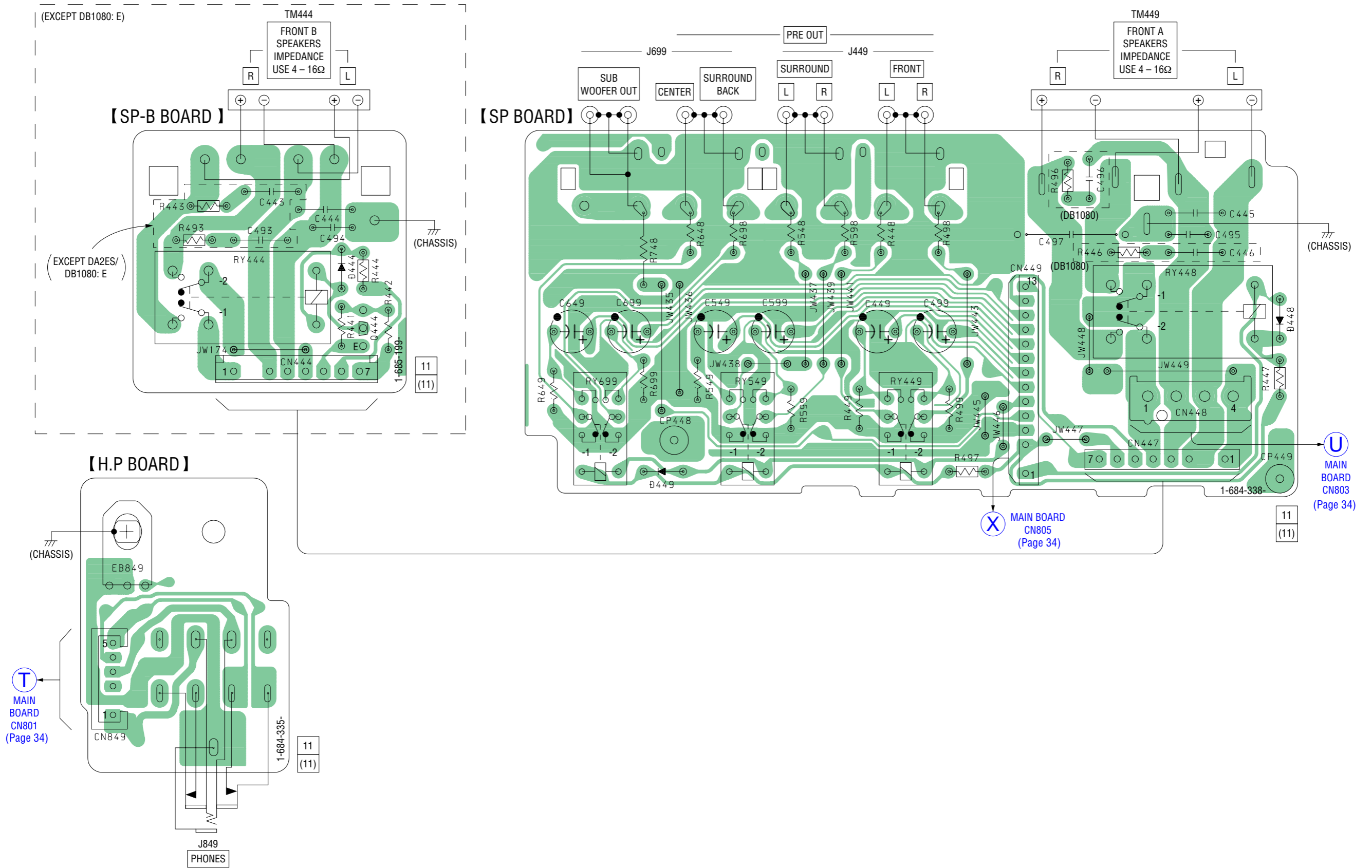
6-26. SCHEMATIC DIAGRAM – BIAS/MIX Boards – • See page 50 for IC Block Diagram.



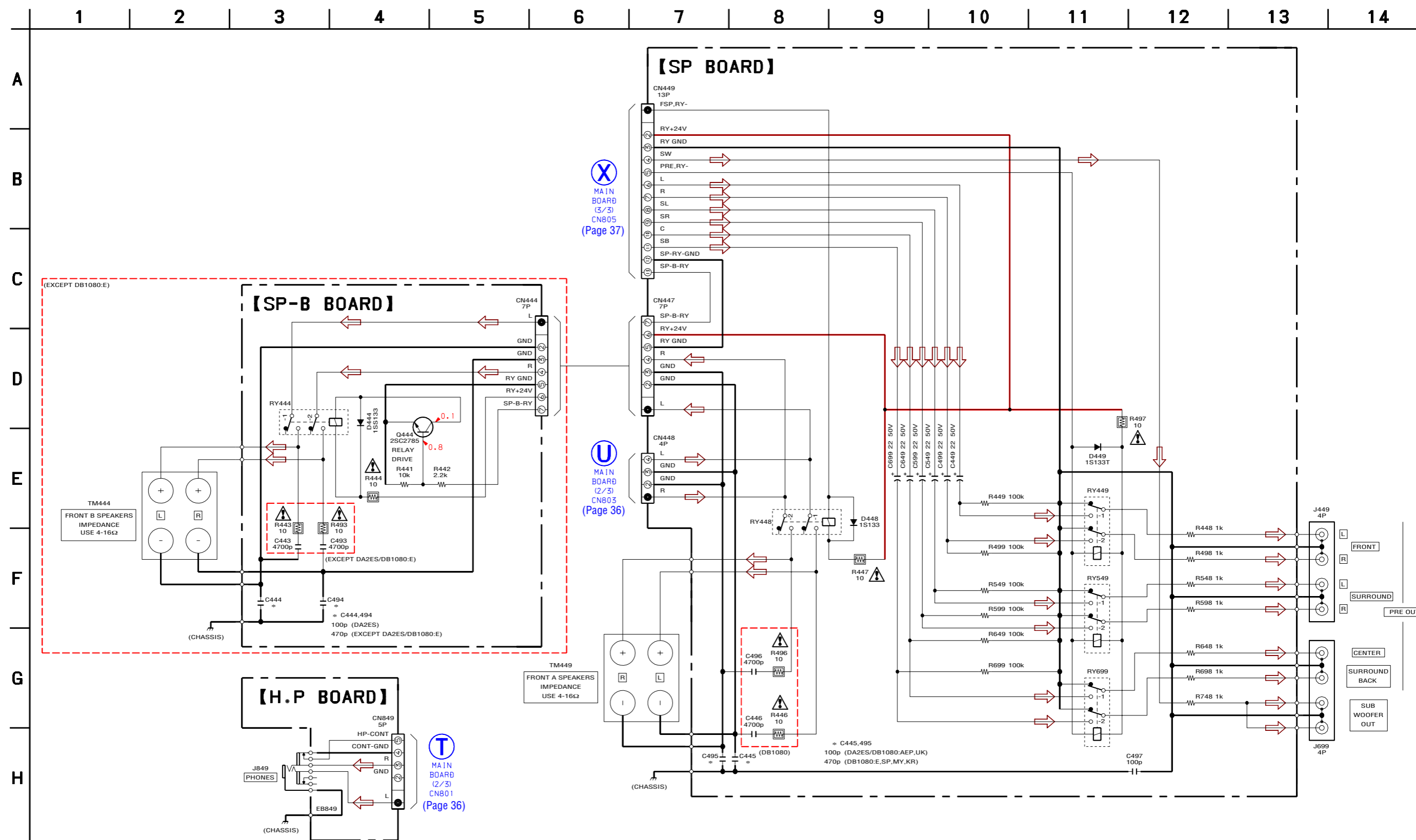
The components identified by mark Δ or dotted line with mark Δ are critical for safety. Replace only with part number specified.

Les composants identifiés par une marque Δ sont critiques pour la sécurité. Ne les remplacer que par une pièce portant le numéro spécifié.

6-27. PRINTED WIRING BOARDS – H.P/SP/SP-B Boards – • See page 20 for Circuit Boards Location.



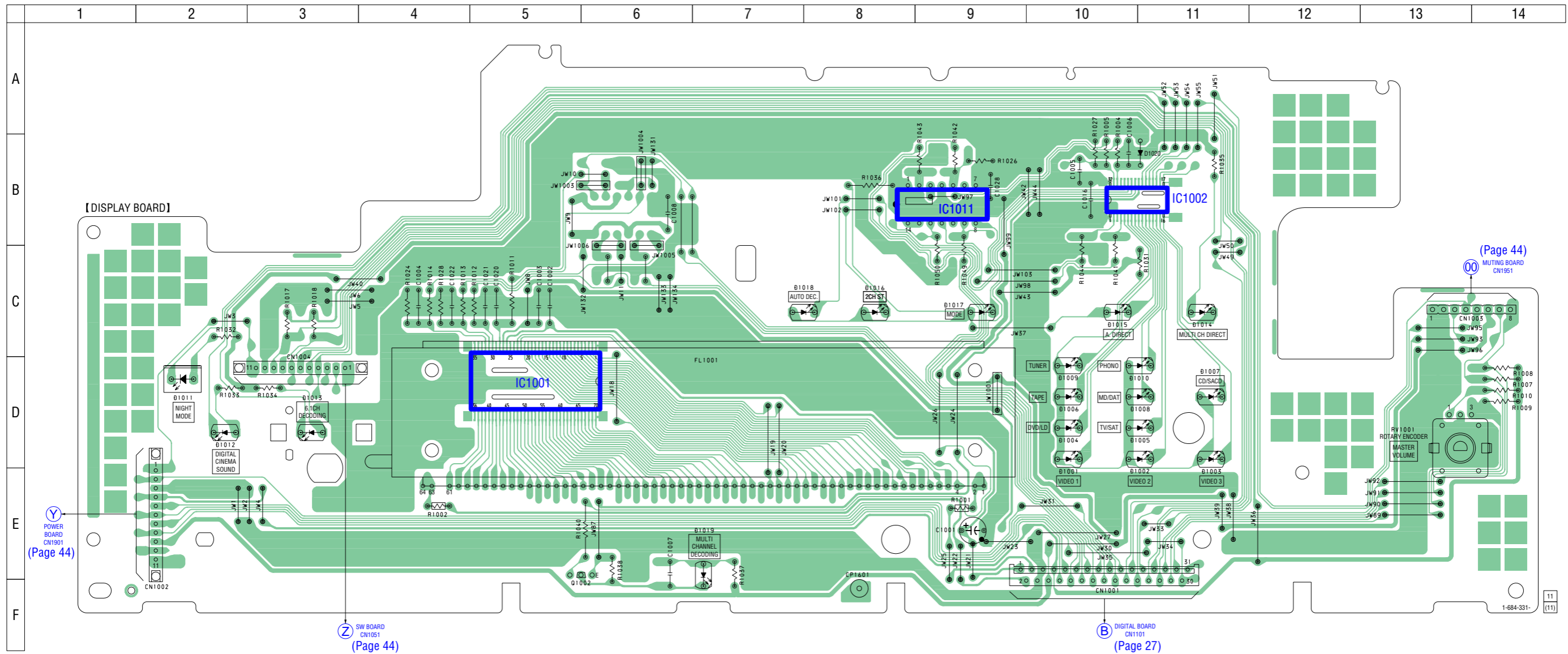
6-28. SCHEMATIC DIAGRAM – H.P/SP/SP-B Boards –



The components identified by mark \triangle or dotted line with mark \triangle are critical for safety. Replace only with part number specified.

Les composants identifiés par une marque \triangle sont critiques pour la sécurité. Ne les remplacer que par une pièce portant le numéro spécifié.

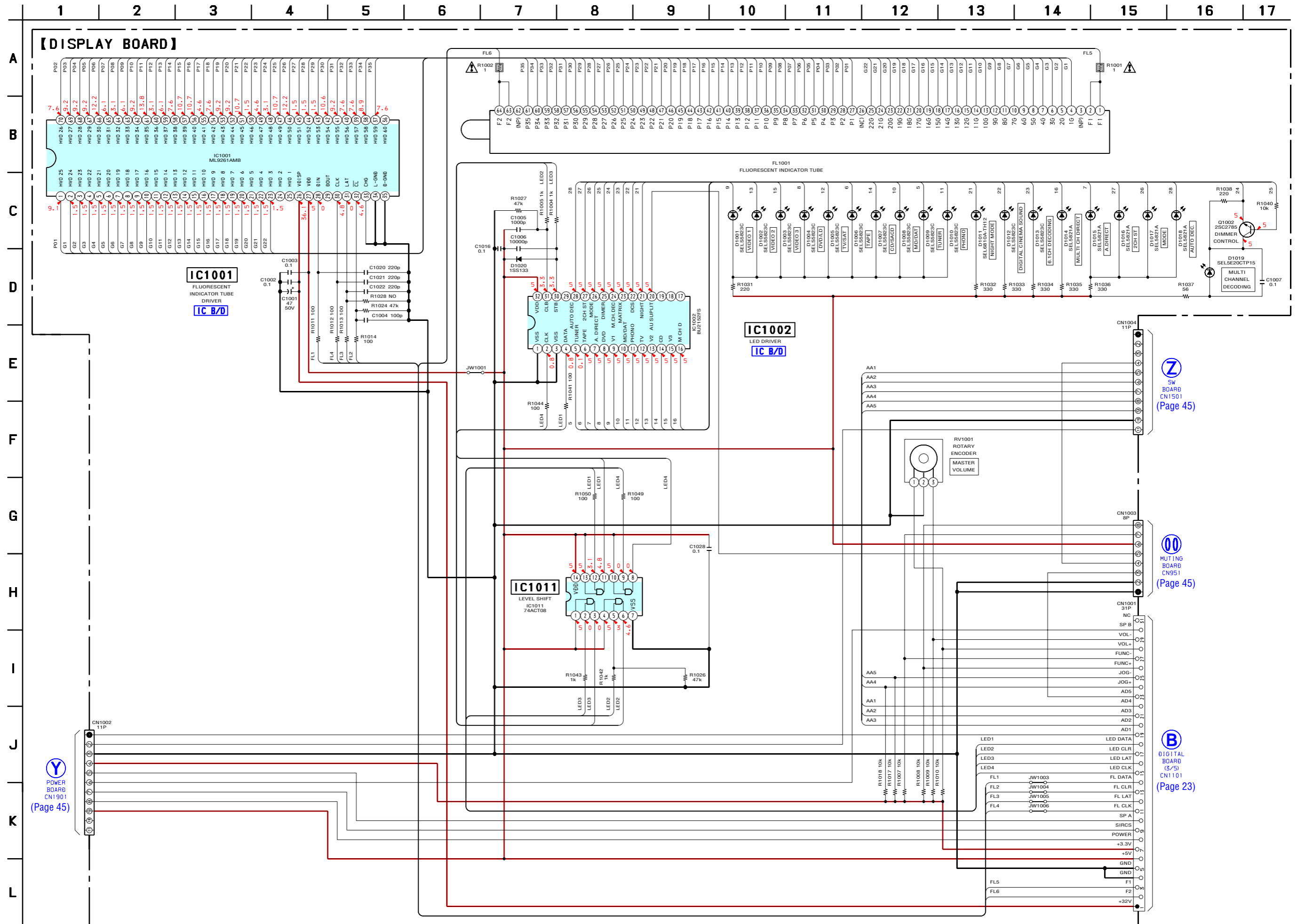
6-29. PRINTED WIRING BOARD – DISPLAY Board – • See page 20 for Circuit Boards Location.



• Semiconductor Location

Ref. No.	Location	Ref. No.	Location
D1001	D-10	D1014	D-11
D1002	D-11	D1015	D-10
D1003	D-11	D1016	D-8
D1004	D-10	D1017	D-9
D1005	D-11	D1018	D-8
D1006	D-10	D1019	E-7
D1007	D-11	D1020	B-11
D1008	D-11		
D1009	D-10	IC1001	D-5
D1010	D-11	IC1002	B-11
D1011	D-2	IC1011	B-9
D1012	D-2		
D1013	D-3	Q1002	E-5

6-30. SCHEMATIC DIAGRAM – DISPLAY Board – • See page 50 for IC Block Diagrams.



Y
POWER BOARD
CN1901
(Page 45)

Z
SW BOARD
CN1501
(Page 45)

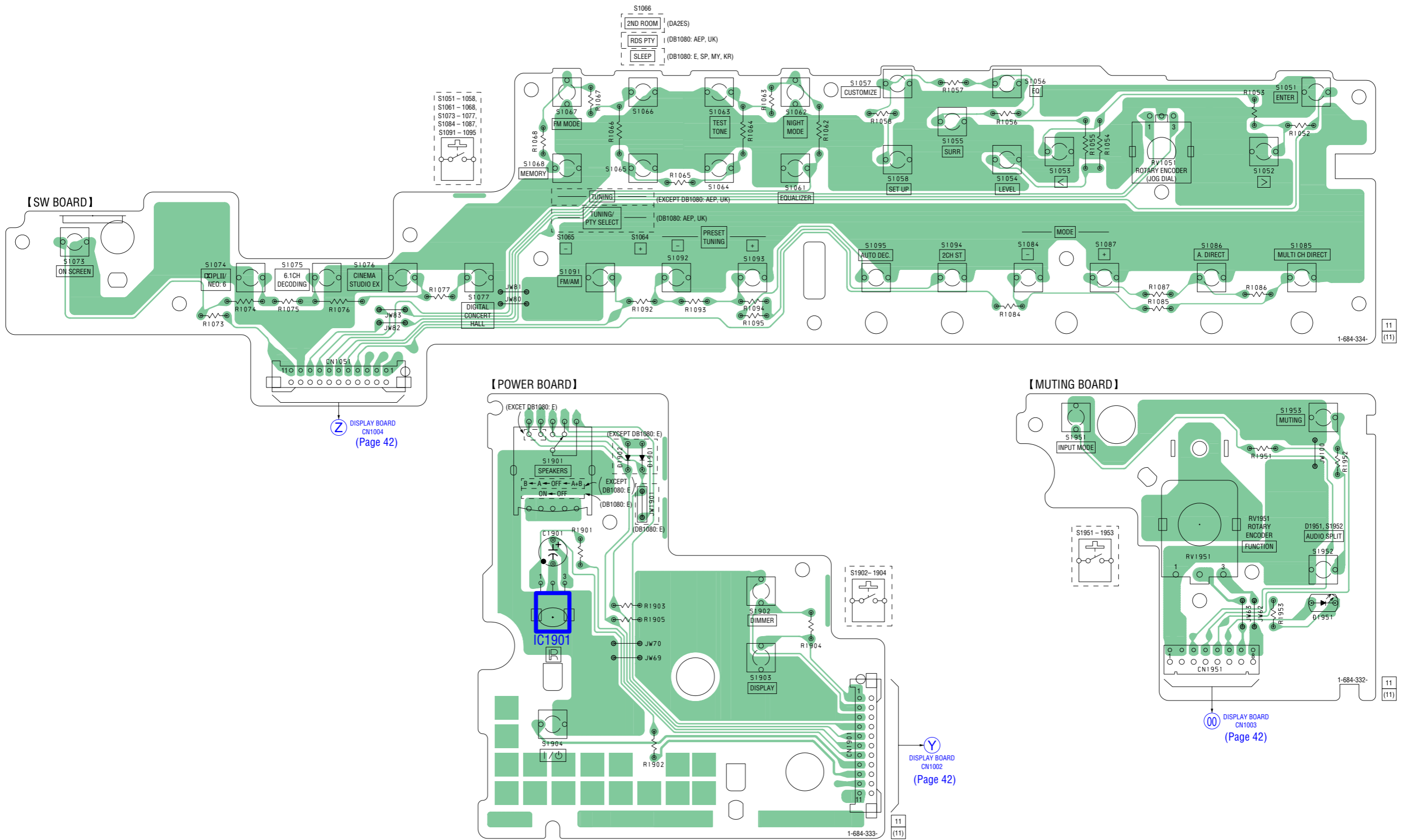
00
MUTING BOARD
CN951
(Page 45)

B
DIGITAL BOARD
(3/5)
CN1101
(Page 23)

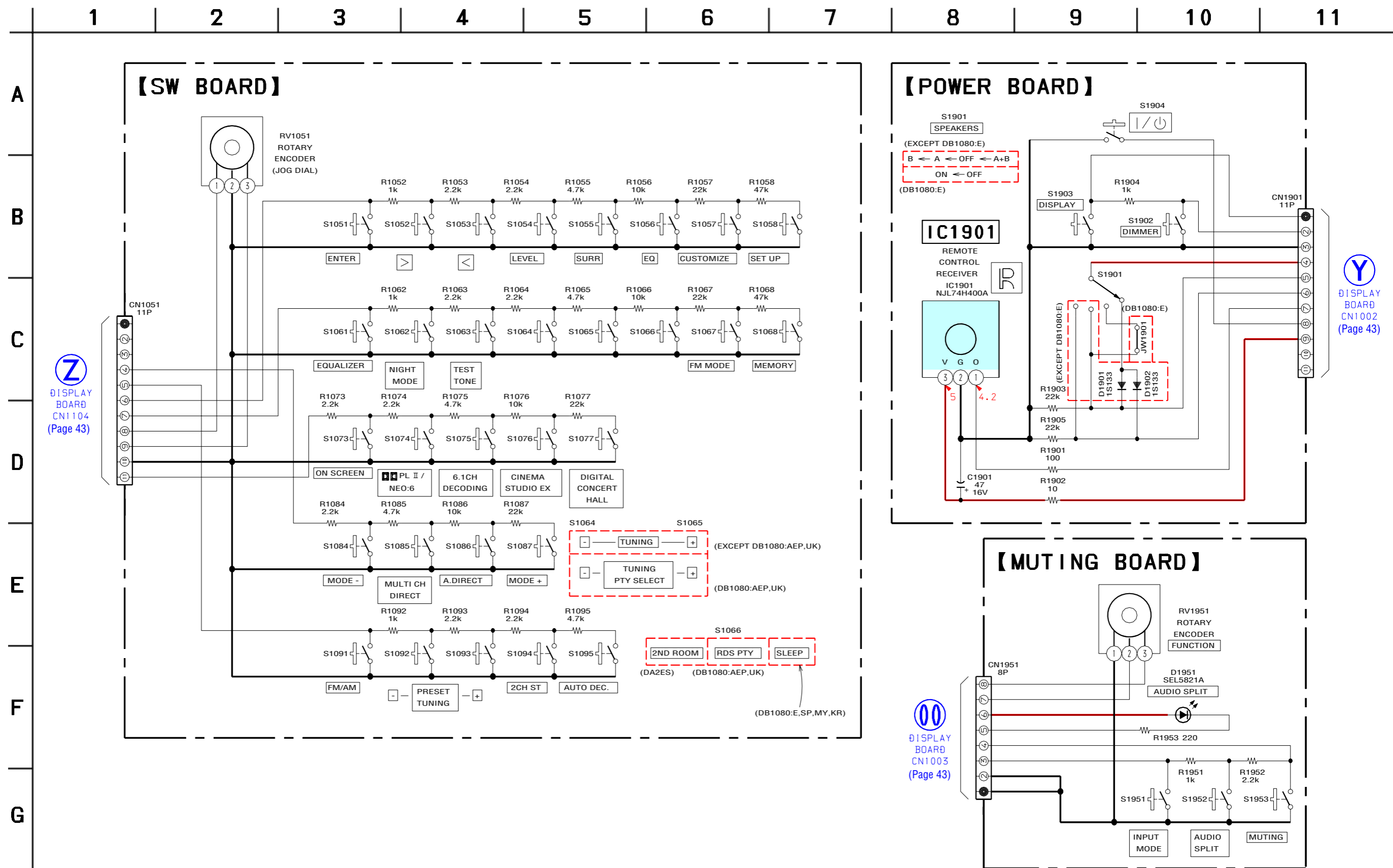
The components identified by mark Δ or dotted line with mark Δ are critical for safety. Replace only with part number specified.

Les composants identifiés par une marque Δ sont critiques pour la sécurité. Ne les remplacer que par une pièce portant le numéro spécifié.

6-31. PRINTED WIRING BOARDS – MUTING/POWER/SW Boards – • See page 20 for Circuit Boards Location.



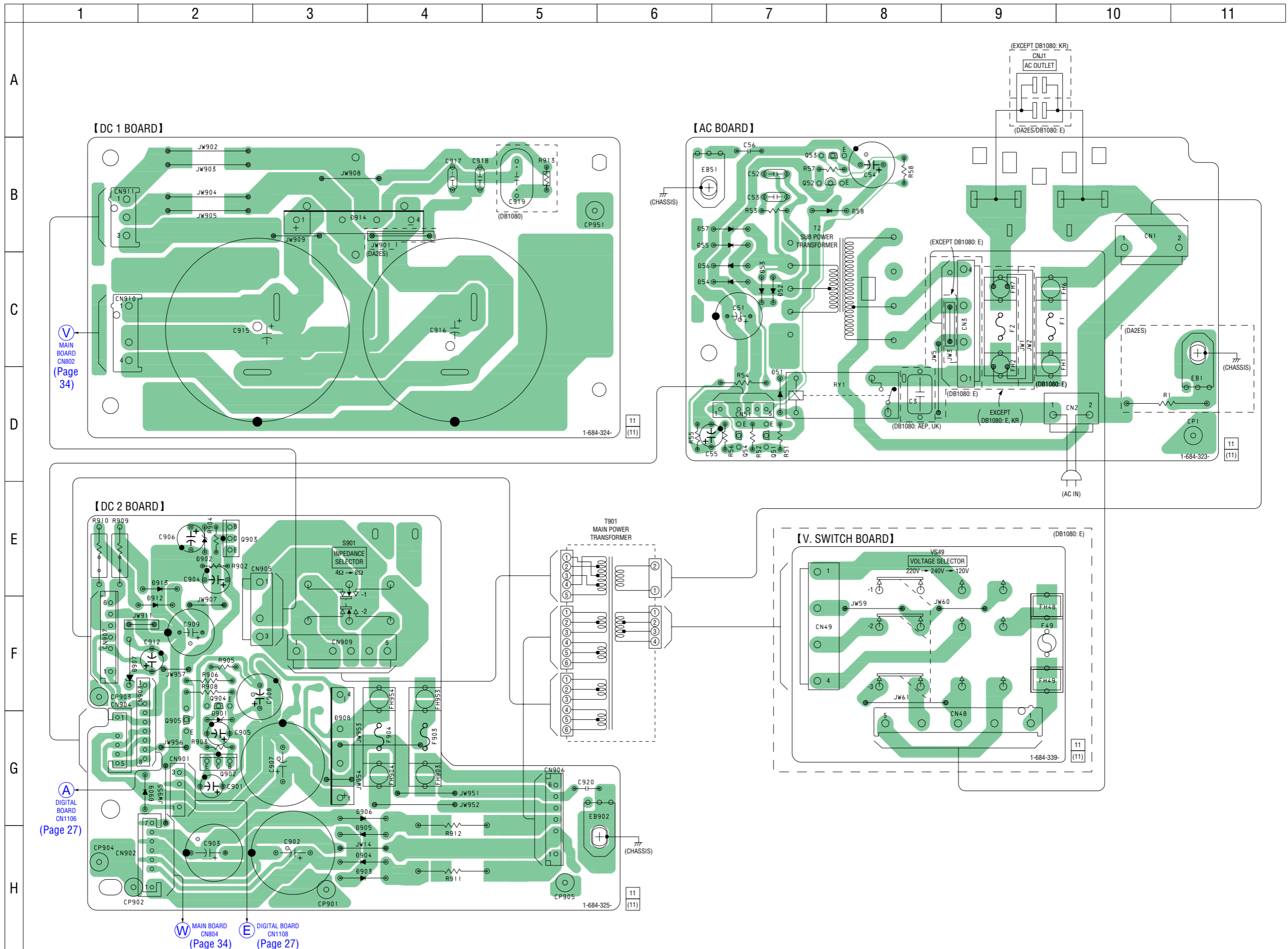
6-32. SCHEMATIC DIAGRAM – MUTING/POWER/SW Boards –



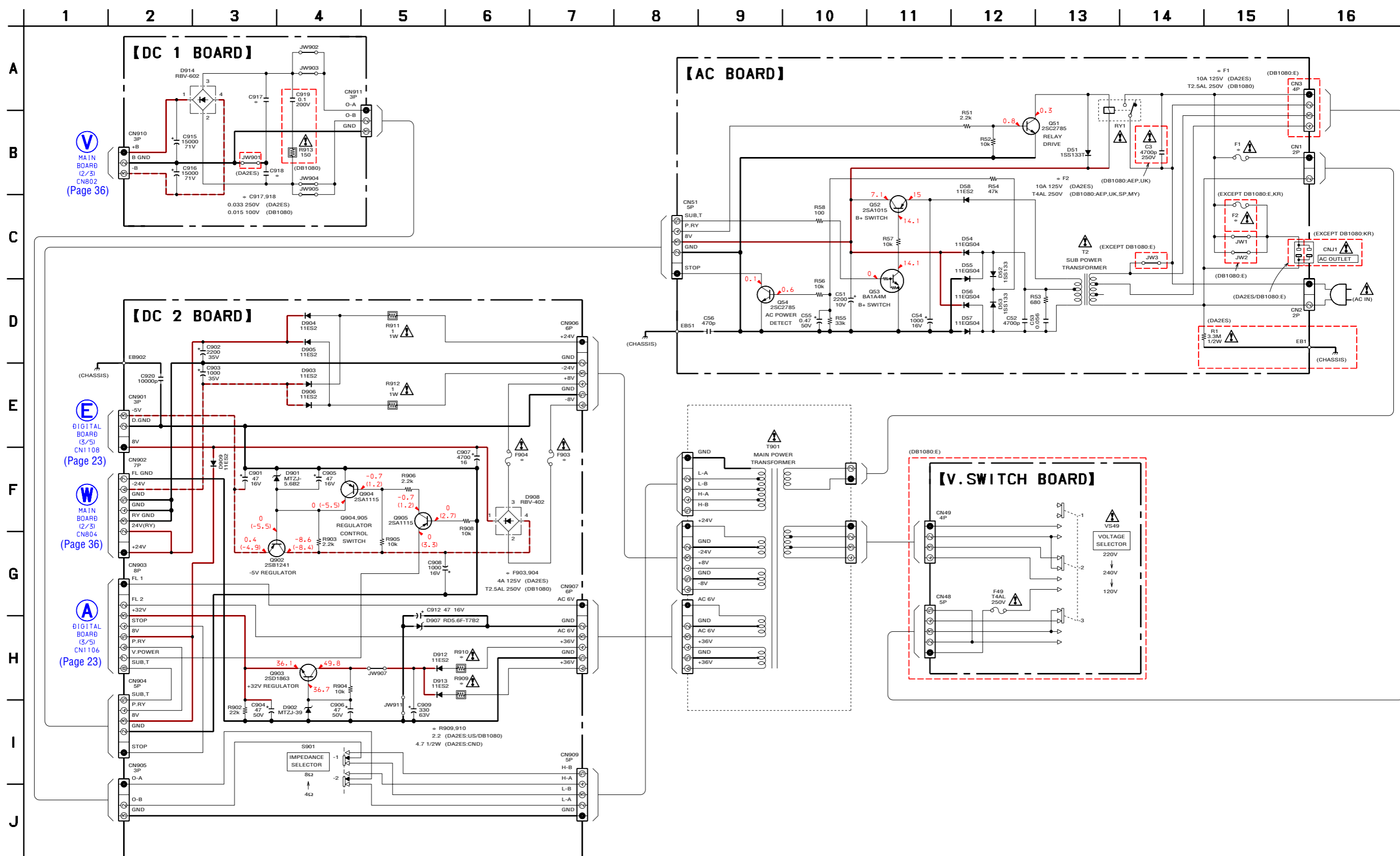
6-33. PRINTED WIRING BOARDS – AC/DC 1/DC 2/V.SWITCH Boards – • See page 20 for Circuit Boards Location.

• Semiconductor Location

Ref. No.	Location
D51	D-7
D52	C-7
D53	C-7
D54	C-7
D55	B-7
D56	C-7
D57	B-7
D58	B-8
D901	G-2
D902	E-2
D903	H-3
D904	H-3
D905	H-3
D906	G-3
D907	F-1
D908	G-3
D909	G-2
D912	F-2
D913	E-2
D914	B-3
Q51	D-7
Q52	B-8
Q53	B-8
Q54	D-7
Q902	G-2
Q903	E-2
Q904	F-2
Q905	G-2



6-34. SCHEMATIC DIAGRAM – AC/DC 1/DC 2/V.SWITCH Boards –



MAIN BOARD (2/3) CN802 (Page 36)

DIGITAL BOARD (3/5) CN1108 (Page 23)

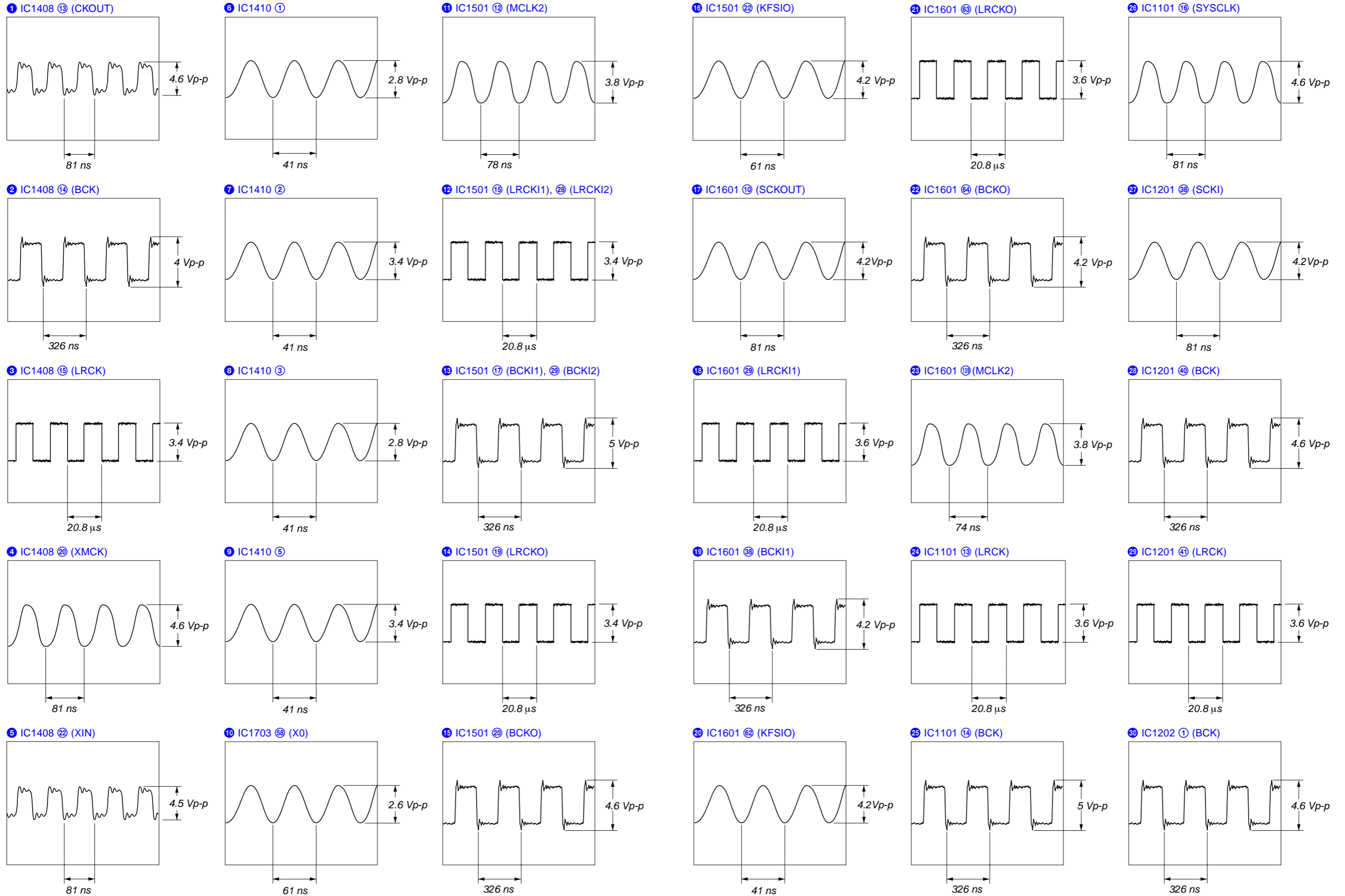
MAIN BOARD (2/3) CN804 (Page 36)

DIGITAL BOARD (3/5) CN1106 (Page 23)

The components identified by mark Δ or dotted line with mark Δ are critical for safety. Replace only with part number specified.

Les composants identifiés par une marque Δ sont critiques pour la sécurité. Ne les remplacer que par une pièce portant le numéro spécifié.

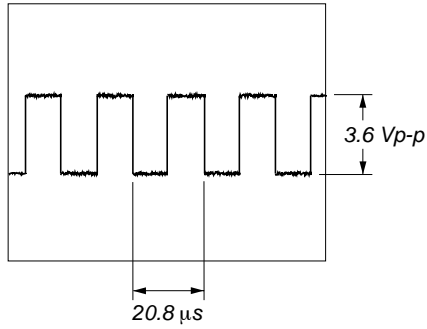
• Waveforms
– DIGITAL Board –



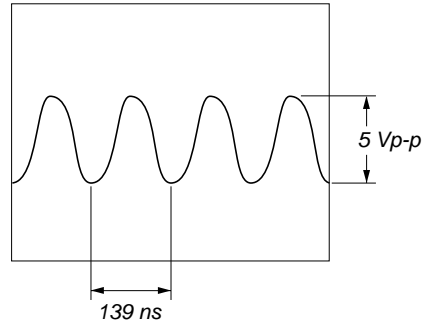
– VIDEO Board –

– UP CONVERT Board –

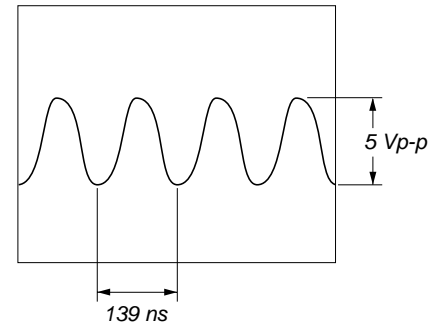
① IC1202 ③ (LRCK)



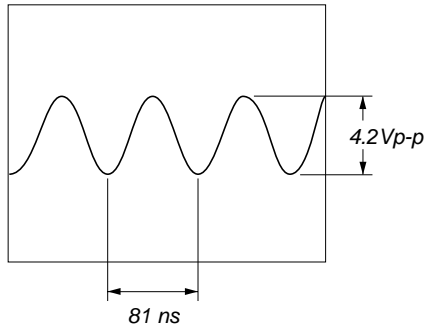
④ IC307 ⑩ (XD) (VIDEO 1 mode)



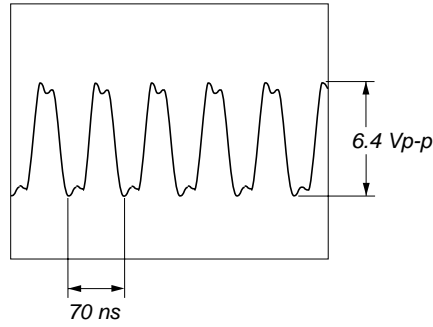
⑤ IC3101 ④ (XTAL) (VIDEO 1 mode) (STR-DA2ES)



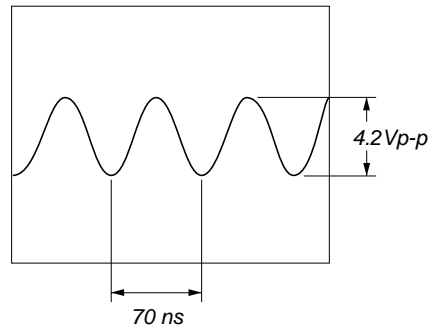
② IC1202 ⑩ (SCK)



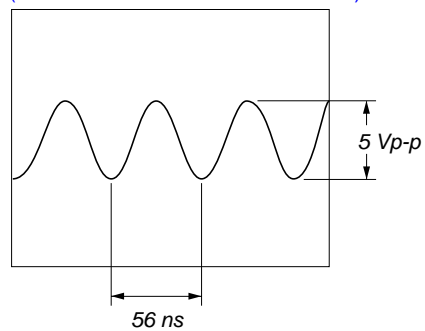
④ IC304 ⑧ (VIDEO 1 mode)



④ IC308 ⑪ (VIDEO 1 mode)



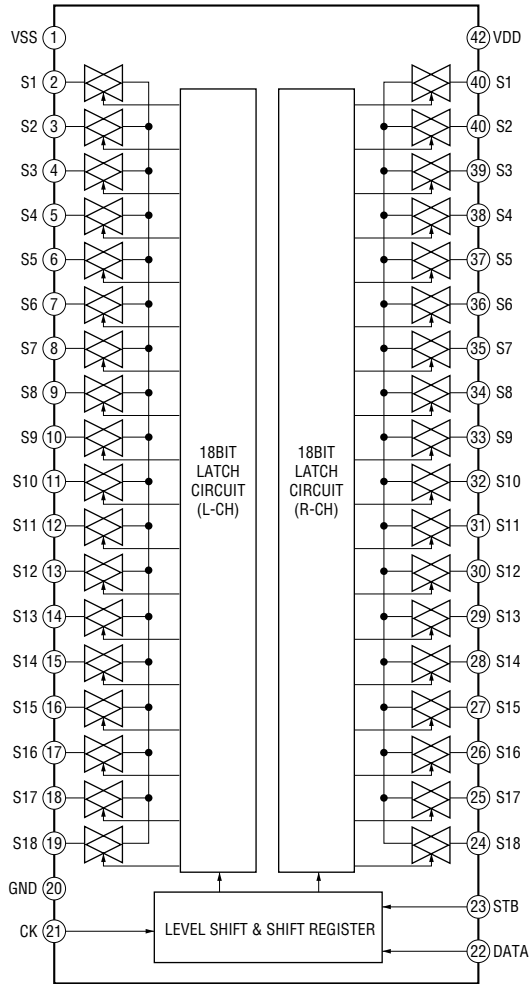
④ IC308 ⑬ (VIDEO 1 mode) (STR-DB1080: AEP and UK models)



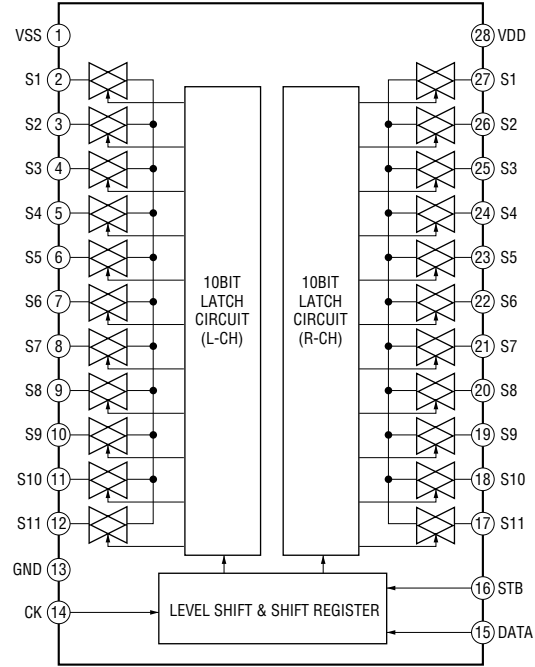
STR-DA2ES/DB1080

• IC Block Diagrams

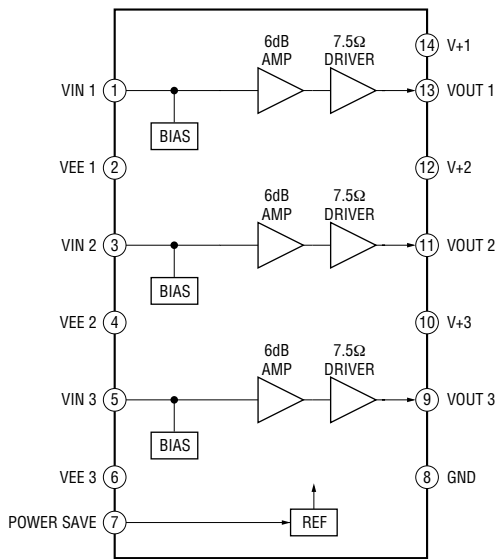
IC111 TC9274N-016 (MAIN board)



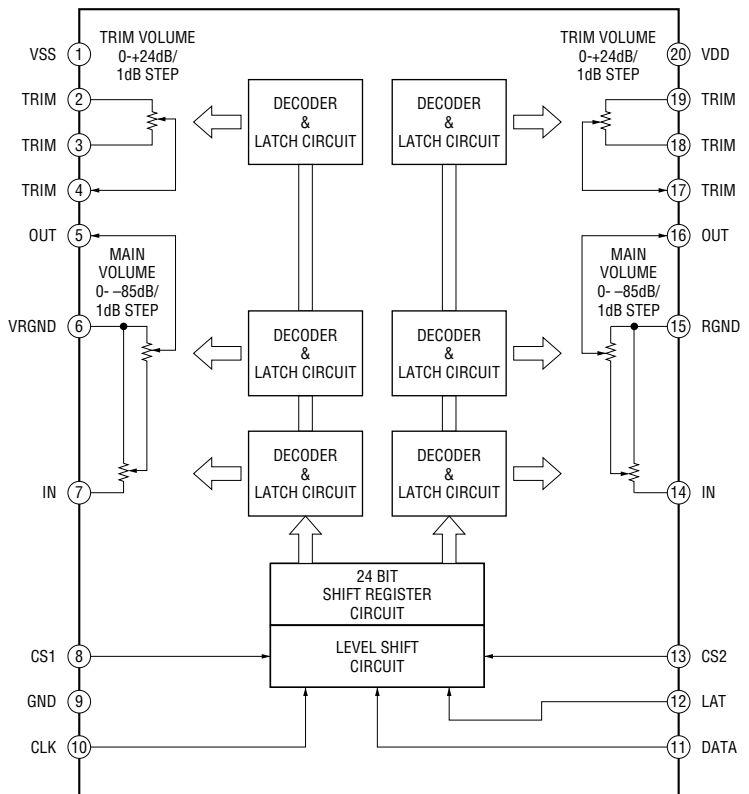
- IC151 TC9273N-004 (MAIN Board)**
- IC171 TC9273N-013 (MAIN Board (STR-DA2ES))**
- IC201 TC9273N-014 (VIDEO.AU Board)**
- IC751 TC9273F-012 (EL) (MIX Board)**



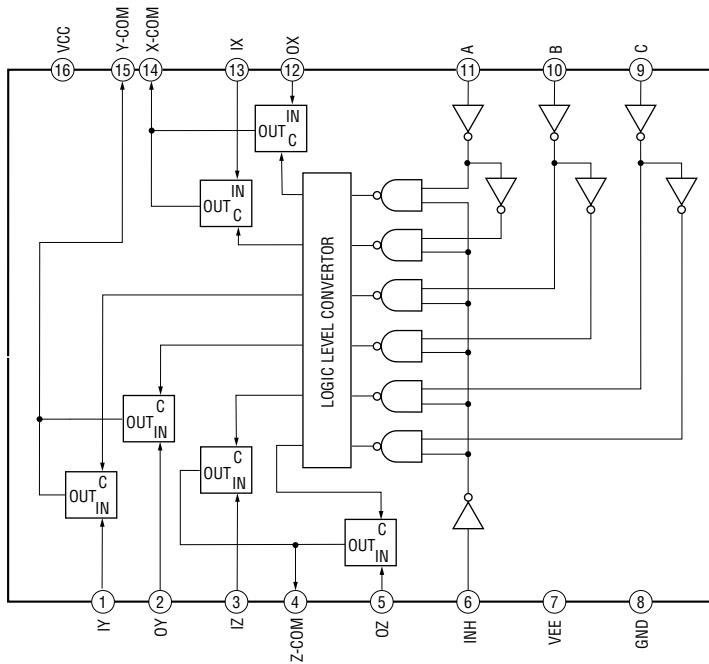
IC301 NJM2581D (VIDEO Board (EXCEPT STR-DB1080: AEP and UK models))



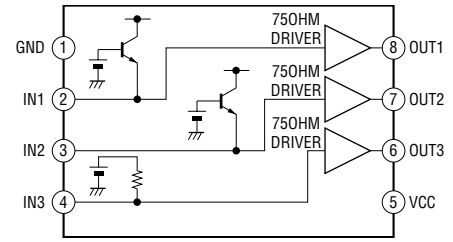
IC173 TC94A07P (VIDEO.AU Board (STR-DA2ES))



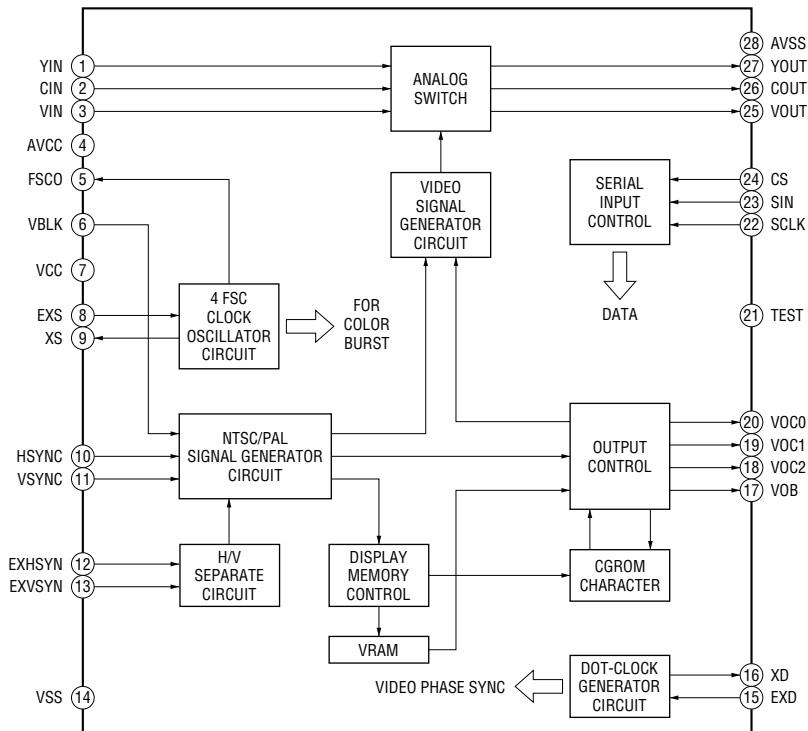
**IC303 TC74HC4053AP (VIDEO Board
(EXCEPT STR-DB1080: AEP and UK models))**



IC305 BA7622 (VIDEO Board)

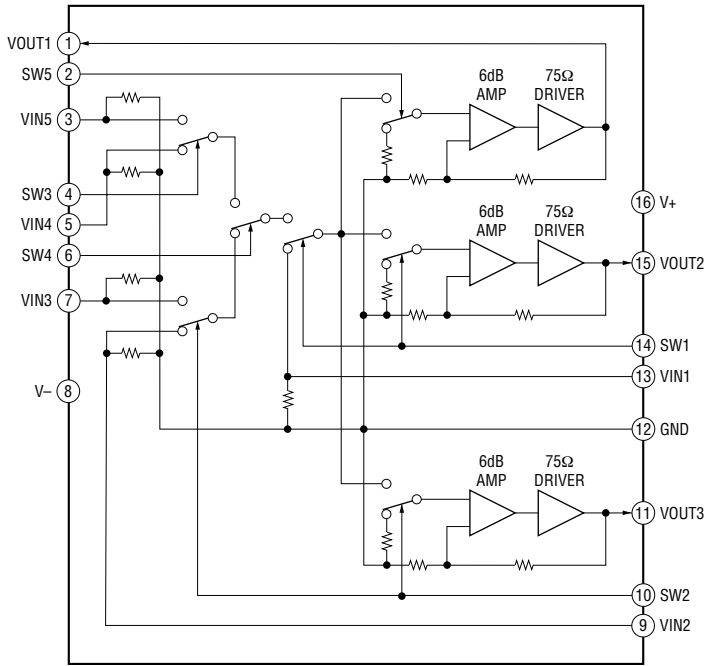


IC307 MB90089F-G-238-BND (VIDEO Board (STR-DB1080))

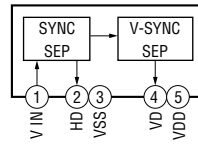


STR-DA2ES/DB1080

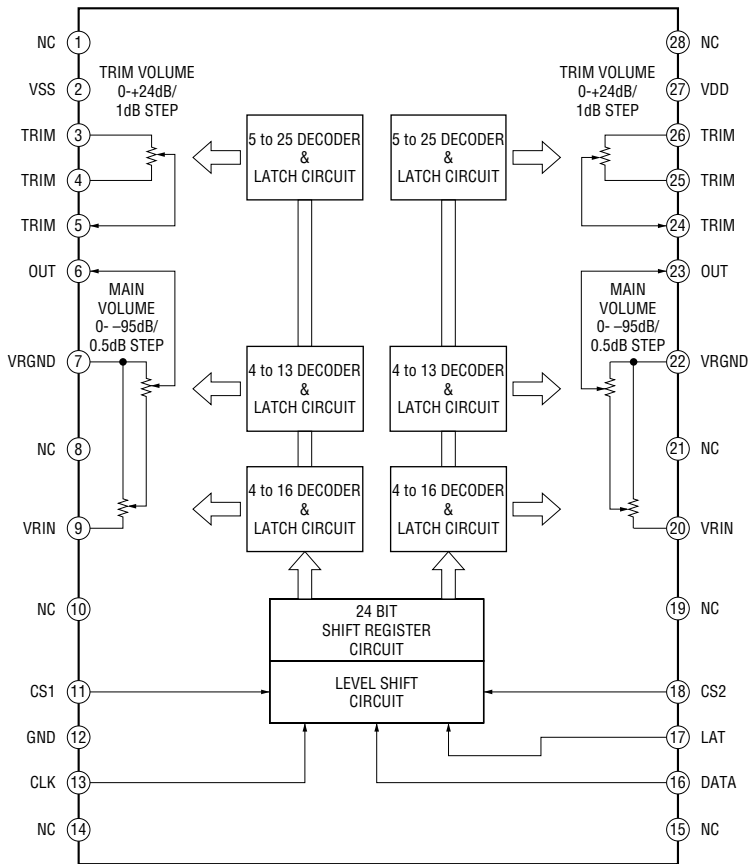
IC308 NJM2595D (VIDEO Board)
IC850, 852 NJM2595D (S-VDIEO Board)



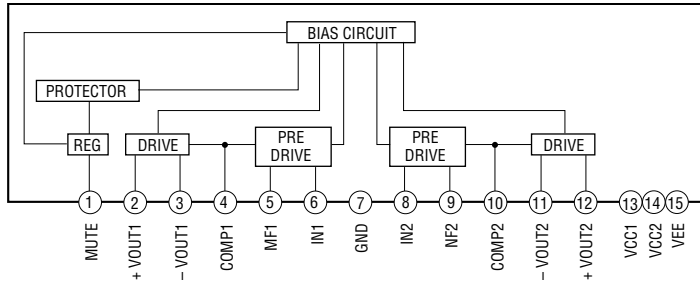
IC309, 311 LA7213 (VIDEO Board)
(EXCEPT STR-DA2ES/DB1080: Korean models)



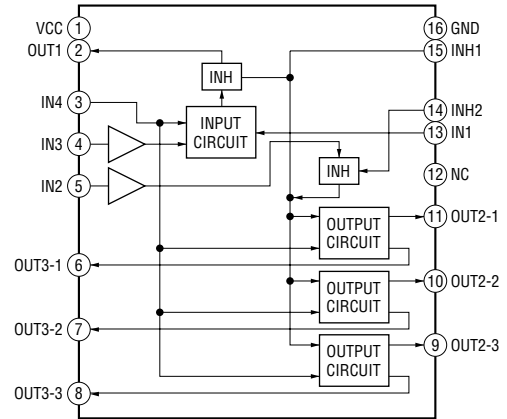
IC401, 501, 601, 651 CXD9275M (MAIN Board)



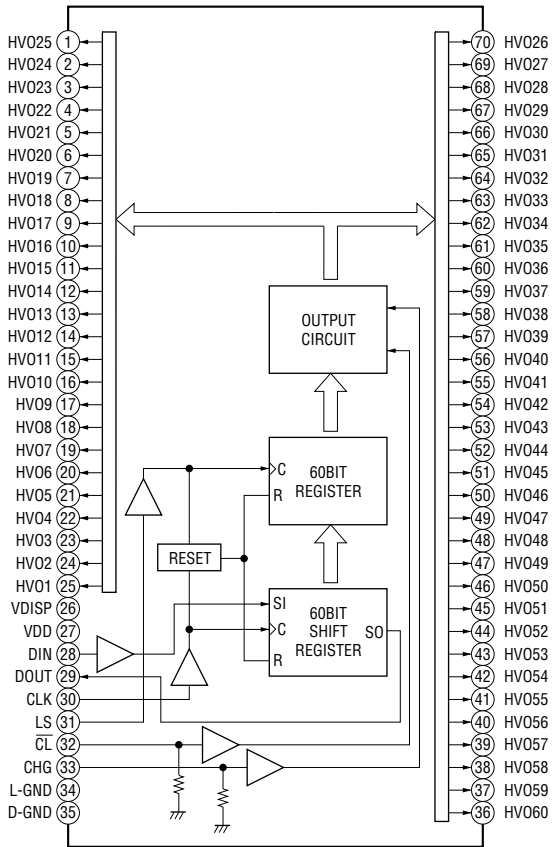
IC403, 503, 603 μ PC2581V-S (MAIN Board)



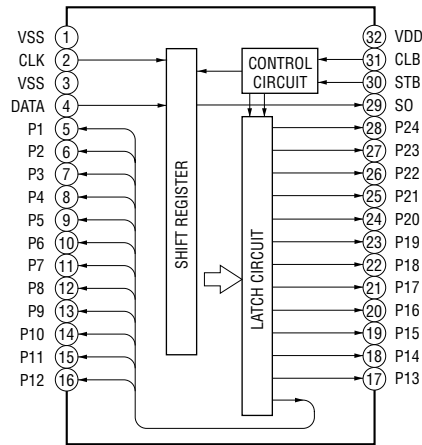
IC851 NJM2145D (S-VIDEO Board (STR-DA2ES))



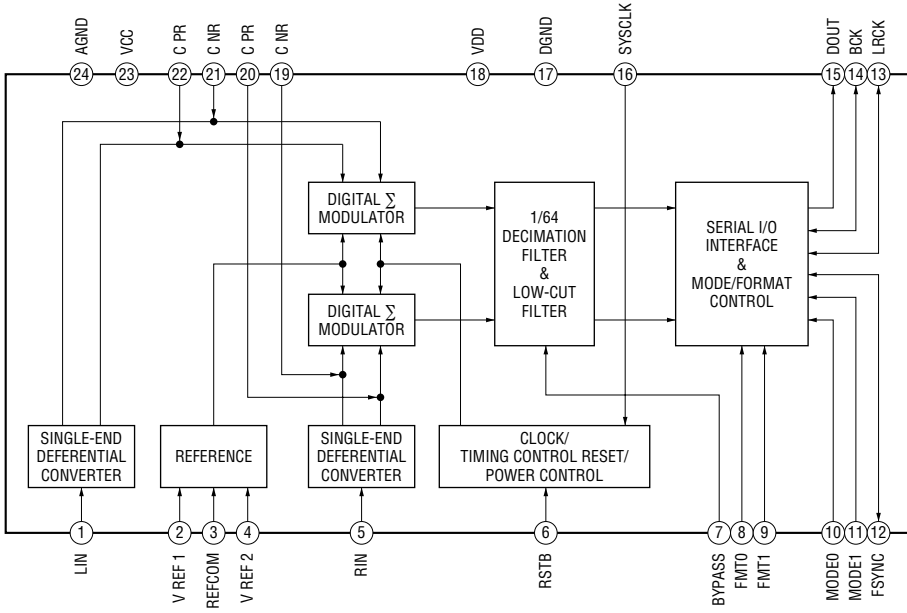
IC1001 ML9261AMB (DISPLAY Board)



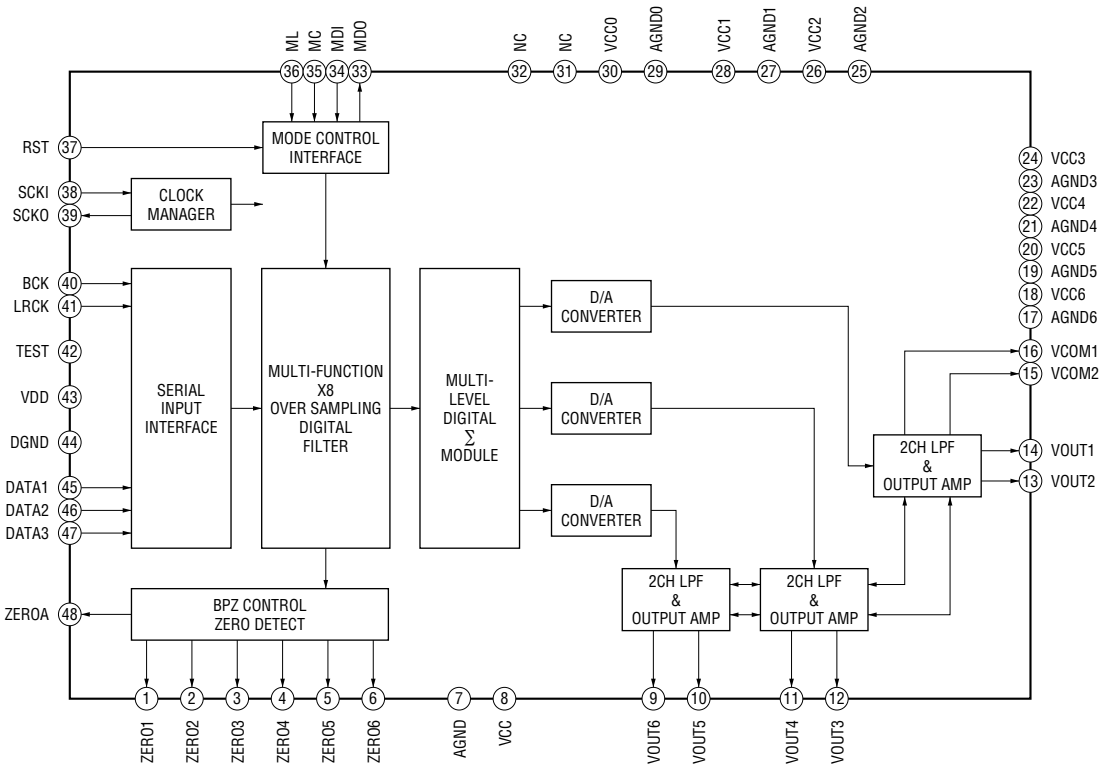
IC1002 BU2152FS (DISPLAY Board)



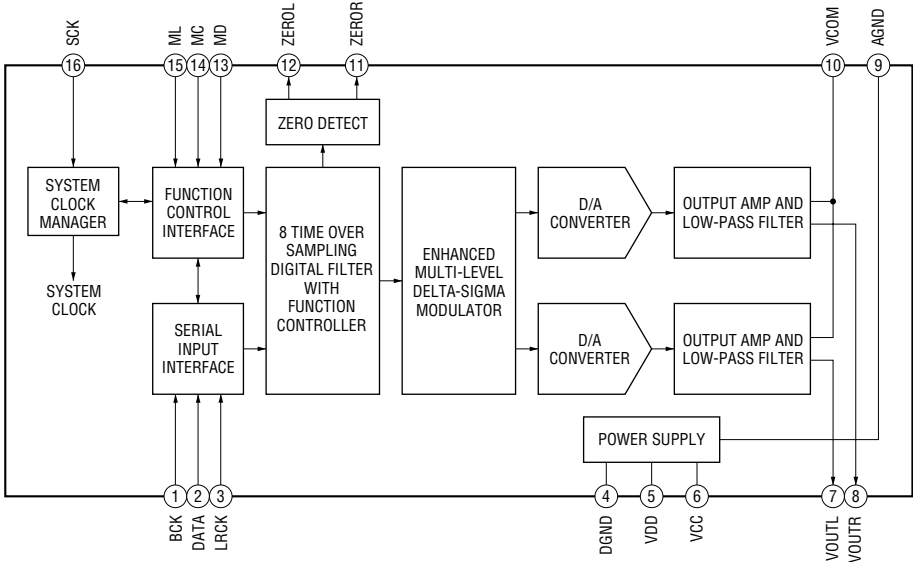
IC1101 PCM1800E/2K (DIGITAL Board)



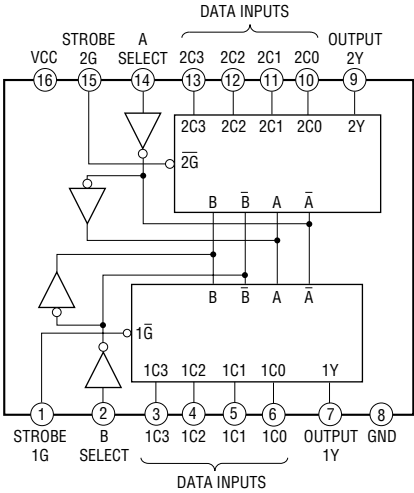
IC1201 PCM1604Y/2K (DIGITAL Board)



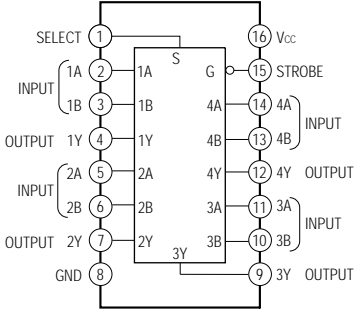
IC1202 PCM1748E/2K (DIGITAL Board)



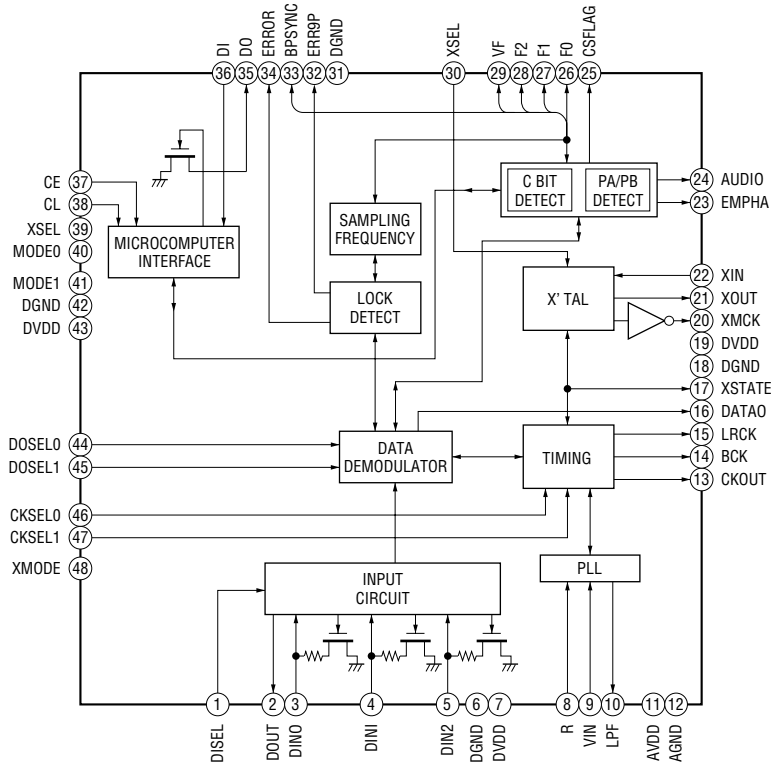
IC1406 SN74HC153ANS (DIGITAL Board)



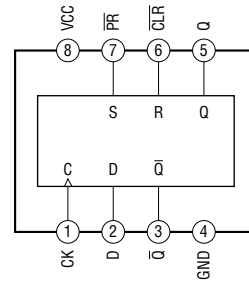
IC1407, 1503 TC7WH157FU (TE12R) (DIGITAL Board)



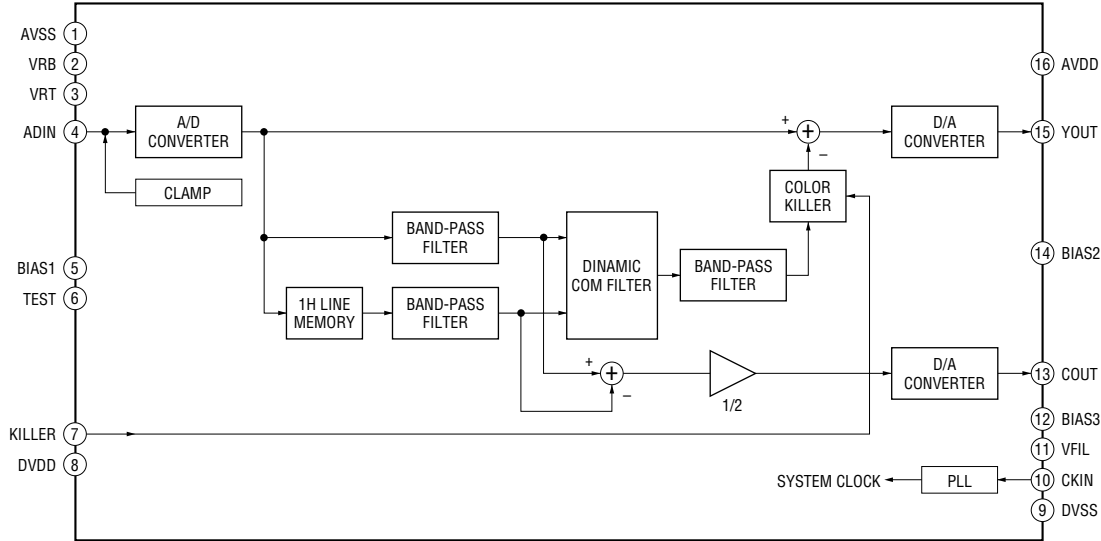
IC1408 LC89056W-E (DIGITAL Board)



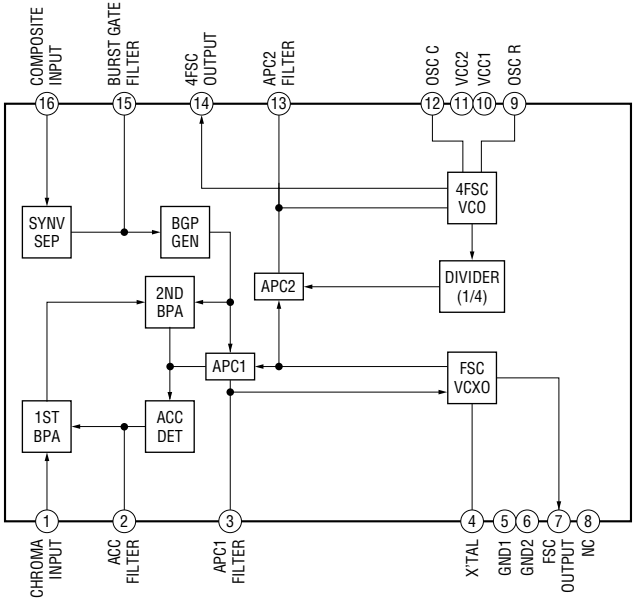
IC1409 TC7WH74FU (TE12R) (DIGITAL Board)



IC3100 TC90A45F (UP CONVERT Board (STR-DA2ES))



IC3101 MM1093F (UP CONVERT Board (STR-DA2ES))



6-35. IC PIN FUNCTION DESCRIPTION

• DIGITAL BOARD IC1408 LC89056W-E (DIGITAL AUDIO INTERFACE RECEIVER)

Pin No.	Pin Name	I/O	Description
1	DISEL	I	Selection signal input terminal of data input terminal Fixed at "L" in this set
2	DOUT	O	Digital data output to the external output terminal
3	DINO	I	Digital data input from the external input terminal
4	DIN1	I	Digital data input terminal Not used
5	DIN2	I	Digital data input from the external input terminal
6	DGND	—	Ground terminal (for digital)
7	DVDD	—	Power supply terminal (+3.3V) (for digital)
8	R	I	Input terminal for VCO gain control
9	VIN	I	Input terminal for VCO free-run frequency setting
10	LPF	O	PLL loop filter setting terminal
11	AVDD	—	Power supply terminal (+3.3V) (for analog)
12	AGND	—	Ground terminal (for analog)
13	CKOUT	O	Audio clock signal output to the audio digital signal processor 1/2
14	BCK	O	Bit clock signal (2.8224 MHz) output to the A/D converter and audio digital signal processor 1
15	LRCK	O	L/R sampling clock signal (44.1 kHz) output to the A/D converter and audio digital signal processor 1
16	DATAO	O	Audio serial data output to the audio digital signal processor 1 and system controller
17	XSTATE	O	Source clock selection monitor output to the system controller
18	DGND	—	Ground terminal (for digital)
19	DVDD	—	Power supply terminal (+3.3V) (for digital)
20	XMCK	O	System clock signal (24.576 MHz) output to the A/D converter
21	XOUT	O	System clock output terminal Not used
22	XIN	I	System clock signal (24.576 MHz) input
23	EMPHA	O	Channel status emphasis information output terminal Not used
24	AUDIO	O	Channel status bit 1 output to the audio digital signal processor 1
25	CSFLAG	O	Channel status head 40 bit renewal flag output terminal Not used
26 to 29	F0/P0/C0 to F3/P3/C3	O	Output terminal of input frequency calculation result Not used
30	DVDD	—	Power supply terminal (+3.3V) (for digital)
31	DGND	—	Ground terminal (for digital)
32	AUTO	O	Not used
33	BPSYNC	O	Non-PCM burst preamble sync signal output terminal Not used
34	ERROR	O	PLL lock error signal and data error flag output to the audio digital signal processor 1 and system controller
35	DO	O	Read data output to the system controller
36	DI	I	Write data input from the system controller
37	CE	I	Chip enable signal input from the system controller
38	CLK	I	Clock signal input from the system controller
39	XSEL	I	Selection signal input terminal of crystal oscillator frequency Fixed at "H" in this set
40, 41	MODE0, MODE1	I	Mode setting terminal
42	DGND	—	Ground terminal (for digital)
43	DVDD	—	Power supply terminal (+3.3V) (for digital)
44, 45	DOSEL0, DOSEL1	I	Output data format selection signal input terminal Fixed at "L" in this set
46	CKSEL0	I	Output clock selection signal input terminal Fixed at "L" in this set
47	CKSEL1	I	Output clock selection signal input from the system controller
48	XMODE	I	System reset signal input from the system controller "L": reset

• DIGITAL BOARD IC1501 CXD9718Q (AUDIO DIGITAL SIGNAL PROCESSOR 1)

Pin No.	Pin Name	I/O	Description
1	VSS	—	Ground terminal
2	XRST	I	System reset signal input from the system controller “L”: reset
3	EXTIN	I	Master clock signal input terminal Not used
4	FS2	I	Sampling frequency selection signal input terminal Not used
5	VDDI	—	Power supply terminal (+2.5V)
6	FS1	I	Sampling frequency selection signal input terminal Not used
7	PLOCK	O	Internal PLL lock signal output terminal Not used
8	VSS	—	Ground terminal
9	MCLK1	I	System clock input terminal (12.866 MHz)
10	VDDI	—	Power supply terminal (+2.5V)
11	VSS	—	Ground terminal
12	MCLK2	O	System clock output terminal (12.866 MHz)
13	MS	I	Master/slave setting terminal “L”: internal clock, “H”: external clock Fixed at “L” in this set
14	SCKOUT	O	Internal system clock output terminal Not used
15	LRCKI1	I	L/R sampling clock signal (44.1 kHz) input from the A/D converter and digital audio interface receiver
16	VDDE	—	Power supply terminal (+3.3V)
17	BCKI1	I	Bit clock signal (2.8224 MHz) input from the A/D converter and digital audio interface receiver
18	SDI1	I	Audio serial data input from the A/D converter
19	LRCKO	O	L/R sampling clock signal (44.1 kHz) output to the audio digital signal processor 2
20	BCKO	O	Bit clock signal (2.8224 MHz) output to the audio digital signal processor 2
21	VSS	—	Ground terminal
22	KFSIO	I	Audio clock signal input from the digital audio interface receiver
23 to 26	SDO1 to SDO4	O	Audio serial data output to the audio digital signal processor 2
27	SPDIF	O	SPDIF signal output terminal Not used
28	LRCKI2	I	L/R sampling clock signal (44.1 kHz) input from the A/D converter and digital audio interface receiver
29	BCKI2	I	Bit clock signal (2.8224 MHz) input from the A/D converter and digital audio interface receiver
30	SDI2	I	Audio serial data input from the digital audio interface receiver
31	VSS	—	Ground terminal
32	HACN	O	Acknowledge signal output to the system controller
33	HDIN	I	Serial data input from the system controller
34	HCLK	I	Serial data transfer clock signal input from the system controller
35	HDOUT	O	Serial data output to the system controller
36	HCS	I	Chip select input from the system controller
37	SDCLK	O	SD-RAM clock output terminal Not used
38	CLKEN	O	SD-RAM chip enable output terminal Not used
39	RAS	O	Row address strobe signal output terminal Not used
40	VDDI	—	Power supply terminal (+2.5V)
41	VSS	—	Ground terminal
42	CAS	O	Column address strobe signal output terminal Not used
43	DQM/OE0	O	Output terminal of data input/output mask Not used
44	CS0	O	Chip select signal output terminal Not used
45	WE0	O	Write enable signal output terminal Not used

Pin No.	Pin Name	I/O	Description
46	VDDE	—	Power supply terminal (+3.3V)
47	WMD1	I	External memory wait mode setting terminal Fixed at “H” in this set
48	VSS	—	Ground terminal
49	WMD0	I	External memory wait mode setting terminal Fixed at “H” in this set
50	PAGE2	O	External memory page selection signal output terminal Not used
51	VSS	—	Ground terminal
52, 53	PAGE1, PAGE0	O	External memory page selection signal output terminal Not used
54	BOOT	I	Boot mode control signal input terminal Not used
55	BTACT	O	Boot mode state display signal output terminal Not used
56	BST	I	Boot strap signal input from the system controller
57	MOD1	I	Operation mode setting terminal “L”: enhanced mode, “H”: normal mode Fixed at “H” in this set
58	MOD0	I	Operation mode setting terminal “L”: single chip mode, “H”: can not use Fixed at “L” in this set
59	EXLOCK	I	PLL lock error signal and data error flag input from the digital audio interface receiver
60	VDDI	—	Power supply terminal (+2.5V)
61	VSS	—	Ground terminal
62 to 66	A17 to A13	O	Address signal output terminal Not used
67	GP10	—	Not used
68	GP9	O	Audio signal output to the system controller
69	GP8	I	Channel status bit 1 input from the digital audio interface receiver
70	VDDI	—	Power supply terminal (+2.5V)
71	VSS	—	Ground terminal
72 to 75	D15/GP7 to D12/GP4	I/O	Two-way data bus terminal Not used
76	VDDE	—	Power supply terminal (+3.3V)
77 to 80	D11/GP3 to D8/GP0	I/O	Two-way data bus terminal Not used
81	VSS	—	Ground terminal
82 to 85	A9, A12 to A10	O	Address signal output terminal Not used
86	TDO	O	Simplicity emulation data output terminal Not used
87	TMS	I	Simplicity emulation data input start and end terminal Not used
88	XTRST	I	Simplicity emulation non-sync break signal input terminal Not used
89	TCK	I	Simplicity emulation clock signal input terminal Not used
90	TDI	I	Simplicity emulation data input terminal Not used
91	VSS	—	Ground terminal
92 to 97	A8 to A3	O	Address signal output terminal Not used
98, 99	D7, D6	I/O	Two-way data bus terminal Not used
100	VDDI	—	Power supply terminal (+2.5V)
101	VSS	—	Ground terminal
102 to 105	D5 to D2	I/O	Two-way data bus terminal Not used
106	VDDE	—	Power supply terminal (+3.3V)
107, 108	D1, D0	I/O	Two-way data bus terminal Not used
109, 110	A2, A1	O	Address signal output terminal Not used
111	VSS	—	Ground terminal

Pin No.	Pin Name	I/O	Description
112	A0	O	Address signal output terminal Not used
113	PM	I	PLL initialize signal input from the system controller
114	SDI3, SDI4	I	Audio serial data input terminal Not used
116	SYNC	I	Sync/non-sync setting terminal “L”: sync, “H”: non-sync Fixed at “H” in this set
117 to 119	VSS	—	Ground terminal
120	VDDI	—	Power supply terminal (+2.5V)

• DIGITAL BOARD IC1601 CXD9616BR (AUDIO DIGITAL SIGNAL PROCESSOR 2)

Pin No.	Pin Name	I/O	Description
1	VDDI	—	Power supply terminal (+2.5V)
2	EXTIN	I	Master clock signal input terminal Not used
3, 4	WMD1, WMD0	I	External memory wait mode setting terminal Fixed at “H” in this set
5	MOD1	I	Operation mode setting terminal “L”: enhanced mode, “H”: normal mode Fixed at “H” in this set
6	MOD0	I	Operation mode setting terminal “L”: single chip mode, “H”: can not use Fixed at “L” in this set
7	VSS	—	Ground terminal
8	XRST	I	System reset signal input from the system controller “L”: reset
9	VSS	—	Ground terminal
10	SCKOUT	O	Internal serial clock signal output to the D/A converter
11	VDDI (PLL)	—	Power supply terminal (+2.5V) (for PLL)
12	SYNC	I	Sync/non-sync setting terminal “L”: sync, “H”: non-sync Fixed at “H” in this set
13 to 15	PAGE2 to PAGE0	O	External memory page selection signal output terminal Not used
16	PLOCK	O	Internal PLL lock signal output terminal Not used
17	BTACK	I	Boot mode state display signal output terminal Not used
18	VDDE	—	Power supply terminal (+3.3V)
19	VSS	—	Ground terminal
20 to 22	D31 to D29	I/O	Two-way data bus with the S-RAM
23	A17	O	Address signal output terminal Not used
24	VSS	—	Ground terminal
25	SDO3	O	Audio serial data output to the D/A converter
26	SDO4	O	Audio serial data output to the D/A converter
27, 28	SDI1, SDI2	I	Audio serial data input from the audio digital signal processor 1
29	LRCKI1	I	L/R sampling clock signal (44.1 kHz) input from the audio digital signal processor 1
30	VSS	—	Ground terminal
31, 32	D28, D27	I/O	Two-way data bus with the S-RAM
33	A16	O	Address signal output terminal Not used
34	A15	O	Address signal output to the S-RAM
35	SDI3	I	Audio serial data input from the audio digital signal processor 1
36	L2	—	Not used
37	VDDI	—	Power supply terminal (+2.5V)
38	BCKI1	I	Bit clock signal (2.8224 MHz) input from the audio digital signal processor 1
39	SDI4	I	Audio serial data input from the audio digital signal processor 1
40	MS	I	Master/slave setting terminal “L”: internal clock, “H”: external clock Fixed at “L” in this set
41, 42	A14, A13	O	Address signal output to the S-RAM
43, 44	D26, D25	I/O	Two-way data bus with the S-RAM
45	VSS	—	Ground terminal
46	BCKI2	I	Bit clock signal (2.8224 MHz) input terminal Not used
47, 48	FS2, FS1	I	Sampling frequency selection signal input terminal Not used
49	SPDIF	I	SPDIF signal output terminal Not used
50	A12	O	Address signal output to the S-RAM
51 to 53	D24 to D22	I/O	Two-way data bus with the S-RAM
54	VDDE	—	Power supply terminal (+3.3V)
55	VSS	—	Ground terminal

Pin No.	Pin Name	I/O	Description
56 to 58	D21 to D19	I/O	Two-way data bus with the S-RAM
59	A11	O	Address signal output to the S-RAM
60, 61	SDO1, SDO2	O	Audio serial data output to the D/A converter
62	KFSIO	I	Audio clock signal input from the digital audio interface receiver
63	LRCKO	O	L/R sampling clock signal (44.1 kHz) output to the D/A converter
64	BCKO	O	Bit clock signal (2.8224 MHz) output to the D/A converter
65	VDDI	—	Power supply terminal (+2.5V)
66	VSS	—	Ground terminal
67, 68	D18, D17	I/O	Two-way data bus with the S-RAM
69, 70	A10, A9	O	Address signal output to the S-RAM
71	CAS	O	Column address strobe signal output terminal Not used
72	RAS	O	Row address strobe signal output terminal Not used
73	VDDI	—	Power supply terminal (+2.5V)
74	HDIN	I	Serial data input from the system controller
75	HCLK	I	Serial data transfer clock signal input from the system controller
76	HCS	I	Chip select signal input from the system controller
77, 78	A8, A7	O	Address signal output to the S-RAM
79	D16	I/O	Two-way data bus with the S-RAM
80	D15	I/O	Two-way data bus terminal Not used
81	VSS	—	Ground terminal
82	HDOUT	O	Serial data output to the system controller
83	HACN	O	Acknowledge signal output to the system controller
84	CSO	O	Chip select signal output to the S-RAM
85	WEO	O	Write enable signal output to the S-RAM
86	A6	O	Address signal output to the S-RAM
87 to 89	D14 to D12	I/O	Two-way data bus terminal Not used
90	VDDE	—	Power supply terminal (+3.3V)
91	VSS	—	Ground terminal
92 to 94	D11 to D9	I/O	Two-way data bus terminal Not used
95	A5	O	Address signal output to the S-RAM
96	VDDI	—	Power supply terminal (+2.5V)
97	TCK	I	Simplicity emulation clock signal input terminal Not used
98	TDI	I	Simplicity emulation data input terminal Not used
99	TDO	O	Simplicity emulation data input terminal Not used
100	TMS	I	Simplicity emulation data input start and end select Not used
101	XTRST	I	Simplicity emulation non-sync break signal input terminal Not used
102	VSS	—	Ground terminal
103, 104	D8, D7	I/O	Two-way data bus terminal Not used
105, 106	A4, A3	O	Address signal output to the S-RAM
107, 108	GP10, GP9	—	Not used
109	VDDI	—	Power supply terminal (+2.5V)
110	GP8	—	Not used
111	GP7	I	L/R sampling clock signal (44.1 kHz) input terminal
112	GP6	—	Not used
113, 114	A2, A1	O	Address signal output to the S-RAM
115, 116	D6, D5	I/O	Two-way data bus terminal Not used

Pin No.	Pin Name	I/O	Description
117	VSS	—	Ground terminal
118, 119	GP5, GP4	—	Not used
120	GP3	O	Error signal output to the system controller
121	NC	—	Not used
122	A0	O	Address signal output to the S-RAM
123 to 125	D4 to D2	I/O	Two-way data bus terminal Not used
126	VDDE	—	Power supply terminal (+3.3V)
127	VSS	—	Ground terminal
128, 129	D1, D0	I/O	Two-way data bus terminal Not used
130 to 132	GP2 to GP0	—	Not used
133	SDCLK	O	SD-RAM clock signal output terminal Not used
134	BTSEL	I	Boot start address selection signal input “L”: FF800h, “H”: FF000h Fixed at “H” in this set
135	DQM	O	Output terminal of data input/output mask Not used
136	EXLOCK	I	Lock signal input from the system controller
137	VDDI	—	Power supply terminal (+2.5V)
138	VSS	—	Ground terminal
139	MCLK2	O	System clock output terminal (13.5 MHz)
140	PM	I	PLL initialize signal input from the system controller
141	BST	I	Boot strap signal input from the system controller
142	BOOT	I	Boot mode control signal input terminal Not used
143	TST	I	Not used
144	MCLK1	I	System clock output terminal (13.5 MHz)

• DIGITAL BOARD IC1703 MB91154PFV-G-108-BND1 (SYSTEM CONTROLLER)

Pin No.	Pin Name	I/O	Description
1	H.P IN	I	Headphone detection signal input “H”: headphone is connected
2	SP A RY	O	Relay drive signal output (for front A speaker) “H”: relay on
3	H/P RY	O	Relay drive signal output (for headphone) “H”: relay on
4	SP B RY	O	Relay drive signal output (for front B speaker) “H”: relay on (except STR-DB1080: E model)
5	REAR RY	O	Relay drive signal output (for surround speaker) “H”: relay on
6	CENTER RY	O	Relay drive signal output (for center and surround back speaker) “H”: relay on
7	2ND AUDIO RY	O	Relay drive signal output (for second room out) “H”: relay on
8	PRE RY	O	Relay drive signal output (for pre amplifier) “H”: relay on
9	VSS	—	Ground terminal
10	SB RY	O	Relay drive signal output (for center and surround back speaker) “H”: relay on
11	C.JOG	I	Jog dial pulse input from the rotary encoder (A phase input) (jog dial)
12	C.JOG	I	Jog dial pulse input from the rotary encoder (B phase input) (jog dial)
13	F.JOG	I	Jog dial pulse input from the rotary encoder (A phase input) (FUNCTION)
14	F.JOG	I	Jog dial pulse input from the rotary encoder (B phase input) (FUNCTION)
15	V.JOG	I	Jog dial pulse input from the rotary encoder (A phase input) (MASTER VOLUME)
16	V.JOG	I	Jog dial pulse input from the rotary encoder (B phase input) (MASTER VOLUME)
17	SP A	I	Front A speaker on/off switch input terminal “L”: speaker on
18	POWER.RY	O	Relay drive signal output (for main power) “H”: relay on
19	TUNER AUTO STOP	I	Tuned display state detection signal input from the tuner unit “L”: tuned
20	TUNER MUTE	O	Muting on/off control signal output to the tuner unit “L”: muting on
21	DATA	O	Serial data output to the tuner unit, function switch, electrical volume and LED driver
22	CLK	O	Serial data transfer clock signal output to the tuner unit, function switch, electrical volume and LED driver
23	TUNER DATA IN	I	Serial data input from the tuner unit
24	F. SW LAT	O	Serial data latch pulse signal output to the function switch and electrical volume
25	TUNER STEREO	I	FM stereo display detection signal input from the tuner unit “L”: stereo
26	VSS	—	Ground terminal
27	VCC	—	Power supply terminal (+3.3V)
28	RDS DATA	I	RDS serial data input from the tuner unit (STR-DB1080: AEP and UK models only)
29 to 32	VIDEO SW1 to VIDEO SW4	O	Video selection signal output
33	VSINK	I	Vertical sync signal input (STR-DB1080: AEP, UK, E, Singapore, Malaysia models only)
34	P/N	O	NTSC/PAL selection signal output “L”: NTSC (STR-DA2ES/DB1080: E, Singapore, Malaysia, Korean models), “H”: PAL (STR-DB1080: AEP, UK models)
35	HDOUT1	I	Serial data input from the audio digital signal processor 1
36, 37	OPT B, OPT A	O	Digital input selection signal output
38	LED CE	O	Chip enable signal output to the LED driver
39	LED CLR	O	Clear signal output to the LED driver
40	TUNER LAT	O	Serial data latch pulse signal output to the tuner unit
41	M STATUS	O	Monitor status control signal output (STR-DA2ES only)
42	D.POWER	O	Digital section power on/off control signal output “H”: power on
43	V.POWER	O	Video section power on/off control signal output “H”: power on
44	VSS	—	Ground terminal
45	NC	I	Not used

Pin No.	Pin Name	I/O	Description
46	LRCK EN	O	Signal selection signal output “L”: boot strap signal, “H”: L/R sampling clock signal
47	ERROR	I	Error signal input from the audio digital signal processor 2
48	NC	I	Not used
49	SUB.T.PORT	O	Sub power on/off signal output “H”: power on
50	SP B	I	Front B speaker on/off switch input terminal “L”: speaker on (except STR-DB1080: E model)
51	GND	—	Ground terminal
52	MD2	O	Setting terminal for the CPU operation mode Fixed at “L” in this set
53, 54	MD1, MD0	O	Setting terminal for the CPU operation mode Fixed at “H” in this set
55	RSTX	I	System reset signal input “L”: reset For several hundreds msec. after the power supply rises, “L” is input, then it changes to “H”
56	VCC	—	Power supply terminal (+3.3V)
57	X1	O	Main system clock output terminal (16.5 MHz)
58	X0	I	Main system clock input terminal (16.5 MHz)
59	VSS	—	Ground terminal
60	STOP	I	Sub power voltage detection signal input
61	RDS CLK	I	RDS serial data transfer clock signal input from the tuner unit (STR-DB1080: AEP and UK models only)
62	POWER	I	I/⏻ key input terminal
63	MBUS TV	I	TV and SAT signal input terminal (STR-DA2ES only)
64	MBUS DVD	I	DVD and LD signal input terminal (STR-DA2ES only)
65	MBUS VIDEO	I	VIDEO signal input terminal (STR-DA2ES only)
66	SIRCS	I	Sircs signal input
67	DIR ERROR	I	PLL lock error signal and data error flag input from the digital audio interface receiver
68	VCC	—	Power supply terminal (+3.3V)
69	XSTATE	I	Source clock selection monitor input from the digital audio interface receiver
70	DATA0	I	Audio serial data input from the digital audio interface receiver
71	XMODE	O	System reset signal output to the digital audio interface receiver “L”: reset
72	CKSEL1	O	Output clock selection signal output to the digital audio interface receiver
73	CLK	O	Clock signal output to the digital audio interface receiver
74	CE	O	Chip enable signal output to the digital audio interface receiver
75	DI	O	Write data output to the digital audio interface receiver
76	DO	I	Read data input from the digital audio interface receiver
77	VCC	—	Power supply terminal (+3.3V)
78	BST2	O	Boot strap control signal output to the audio digital signal processor 2
79	PM2	O	PLL initialize signal output to the audio digital signal processor 2
80	XRST2	O	System reset signal output to the audio digital signal processor 2 “L”: reset
81	HACN2	I	Acknowledge signal input from the audio digital signal processor 2
82	HCS2	O	Chip select signal output to the audio digital signal processor 2
83	GB9	I	Audio signal input from the audio digital signal processor 1
84	BST1	O	Boot strap signal output to the audio digital signal processor 1
85	HCS1	O	Chip select signal output to the audio digital signal processor 1
86	A1 IN	I	Sircs signal input for CONTROL A1 II
87	A1 OUT	O	Sircs signal output for CONTROL A1 II
88	HACN1	I	Acknowledge signal input from the audio digital signal processor 1
89	XRST1	O	System reset signal output to the audio digital signal processor 1 “L”: reset

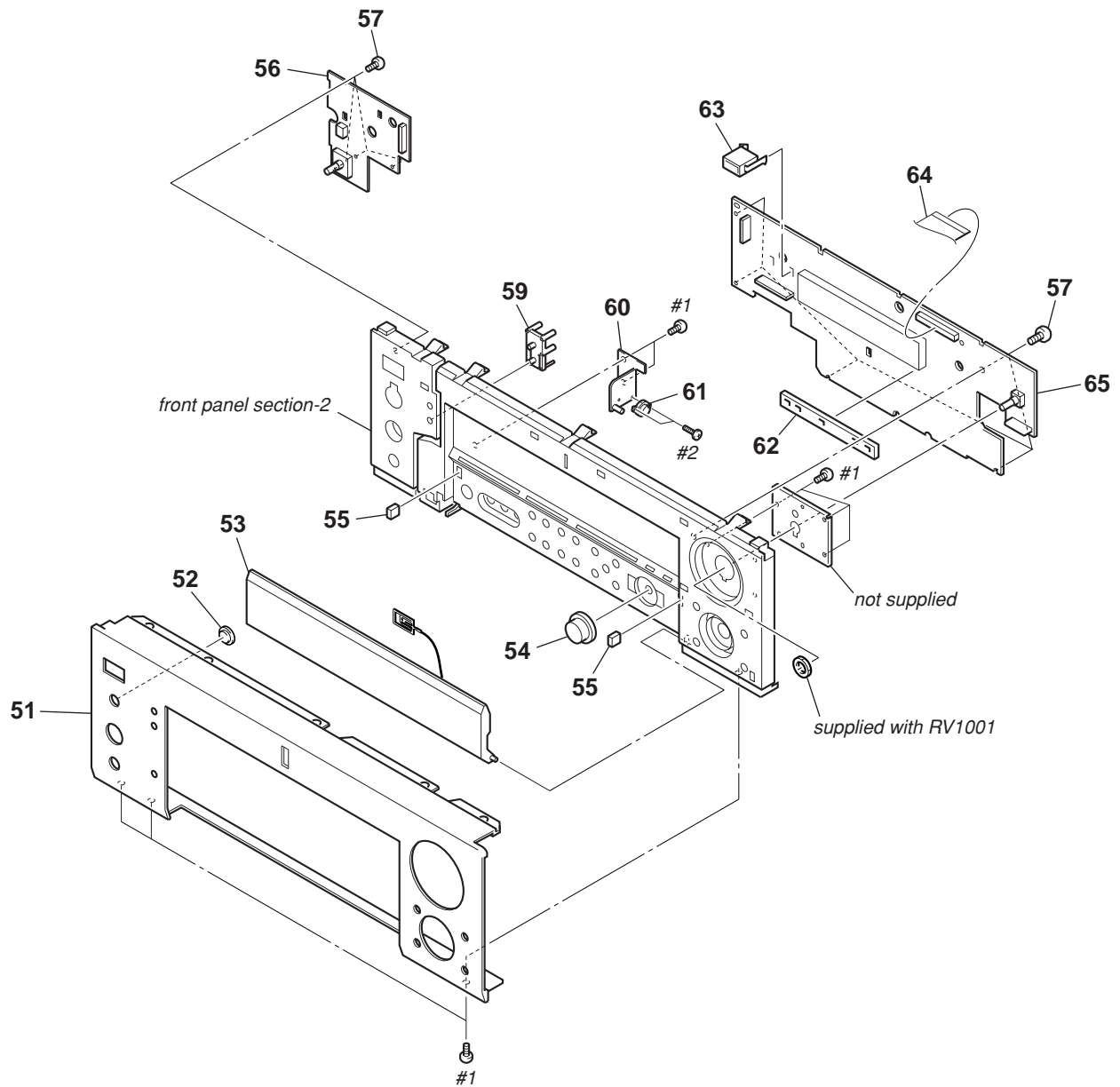
Pin No.	Pin Name	I/O	Description
90	PM1	O	PLL initialize signal output to the audio digital signal processor 1
91	ADC : RST	O	System reset signal output to the A/D converter "L": reset
92	DACINT	O	System reset signal output to the D/A converter "L": reset
93	DA1LAT	O	Serial data latch pulse signal output to the D/A converter
94	DACCLK	O	Serial data transfer clock signal output to the D/A converter
95	DACDI	O	Serial data output to the D/A converter
96	2EXLOCK	O	Lock signal output to the audio digital signal processor 2
97	VCC	—	Power supply terminal (+3.3V)
98	VSS	—	Ground terminal
99	EEPROM SDA	I/O	Two-way data bus with the EEPROM
100	EEPROM SCL	O	Serial data transfer clock signal output to the EEPROM
101	VSS	—	Ground terminal
102	HCLK	O	Serial data transfer clock signal output to the audio digital signal processor 1/2
103	HDIN	O	Serial data output to the audio digital signal processor 1/2
104	HDOUT2	I	Serial data input from the audio digital signal processor 2
105	CLK	O	Serial data transfer clock signal output to the OSD driver
106	DATA	O	Serial data output to the OSD driver
107	LAT	O	Serial data latch pulse signal output to the OSD driver
108	DAIDO	I	Serial data input from the D/A converter
109	SOTI	O	Output terminal of serial data for flash memory write Not used
110	SINI	I	Input terminal of serial data for flash memory write Not used
111	CLK	O	Serial data transfer clock signal output to the fluorescent indicator tube driver
112	DIN	O	Serial data output to the fluorescent indicator tube driver
113	LAT	O	Serial data latch pulse signal output to the fluorescent indicator tube driver
114	CLR	O	Clear signal output to the fluorescent indicator tube driver
115	FUN LAT SW	O	Serial data latch pulse signal selection signal output "L": for electrical volume (except for second room out), "H": for function switch and electrical volume (for second room out)
116	SYSTEM MUTE	O	System muting on/off control signal output "L": muting on
117	2ND VOL LAT	O	Serial data latch pulse signal output to the electrical volume (for second room out)
118	PROTECTOR	I	Over load detection signal input from the protect circuit "L": over load
119	DA2LAT	O	Serial data latch pulse signal output to the D/A converter
120	CD DIRECT	O	Relay drive signal output (for CD/SACD signal selection) "H": relay on
121	ANALOG DIGITAL	O	Analog/digital selection signal output "L": analog, "H": digital
122	VCC	—	Power supply terminal (+3.3V)
123 to 125	NC	—	Not used
126	DAVS	—	Ground terminal (for D/A converter)
127	DAVC	—	Power supply terminal (+3.3V) (for D/A converter) Not used
128	AVCC	—	Power supply terminal (+3.3V) (for analog) Not used
129	AVRH	I	Reference voltage (+3.3V) input terminal Not used
130	AVRL	I	Reference voltage (0V) input terminal Not used
131	AVSS	—	Ground terminal (for analog)
132 to 136	AD1 to AD5	I	Key input terminal (A/D input)
137	NC	—	Not used
138	VERSION2	I	Version setting terminal
139	RDS SIGNAL	I	RDS signal input from the tuner unit (STR-DB1080: AEP and UK models only)

Pin No.	Pin Name	I/O	Description
140	VCC2	—	Power supply terminal (+3.3V) Not used
141	BACKUP	—	Power supply terminal (+3.3V) (for back up)
142	GND	—	Ground terminal Not used
143	OPEN	—	Not used
144	VSS	—	Ground terminal

• VIDEO BOARD IC307 MB90089F-G-238-BND (OSD DRIVER)

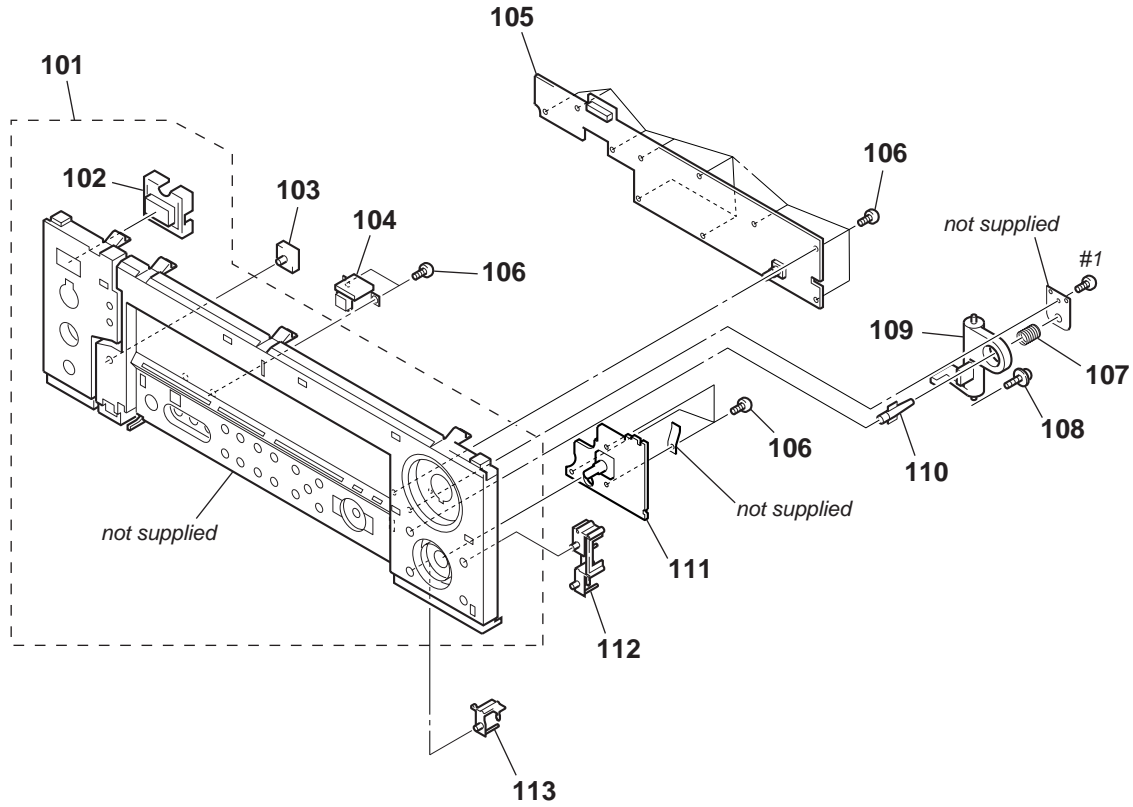
Pin No.	Pin Name	I/O	Description
1	YIN	I	Y (luminance) signal input
2	CIN	I	C (color) signal input
3	VIN	I	Composite video signal input
4	AVCC	—	Power supply terminal (+5V) (for analog)
5	FSCO	O	Internal color burst phase display signal output terminal Not used
6	VBLK	O	Vertical blanking period signal output terminal Not used
7	VCC	—	Power supply terminal (+5V)
8	EXS	I	Input terminal from the clock generator for external color burst connected to crystal vibrator (NTSC: 14.31818MHz, PAL: 17.734475MHz)
9	XS	O	Output terminal from the clock generator for external color burst connected to crystal vibrator (NTSC: 14.31818MHz, PAL: 17.734475MHz) Not used
10	HSYNC	O	Horizontal sync signal output terminal Not used
11	VSYN	O	Vertical sync signal output terminal Not used
12	EXHSYN	I	External horizontal sync signal input terminal Not used
13	EXVSYN	I	External vertical sync signal input terminal Not used
14	VSS	—	Ground terminal
15	EXD	I	Input terminal from the dot clock generator for external display
16	XD	O	Output terminal from the dot clock generator for external display
17	VOB	O	Character and background period signal output terminal Not used
18 to 20	VOC2 to VOC0	O	Color signal output terminal Not used
21	TEST	I	Setting terminal for the test “L”: test (normally: fixed at “H”)
22	SCLK	I	Serial data transfer clock signal input from the system controller
23	SIN	I	Serial data input from the system controller
24	CS	I	Serial data latch pulse signal input from the system controller
25	VOUT	O	Composite video signal output
26	COUT	O	C (color) signal output
27	YOUT	O	Y (luminance) signal output
28	AVSS	—	Ground terminal (for analog)

7-2. FRONT PANEL SECTION-1



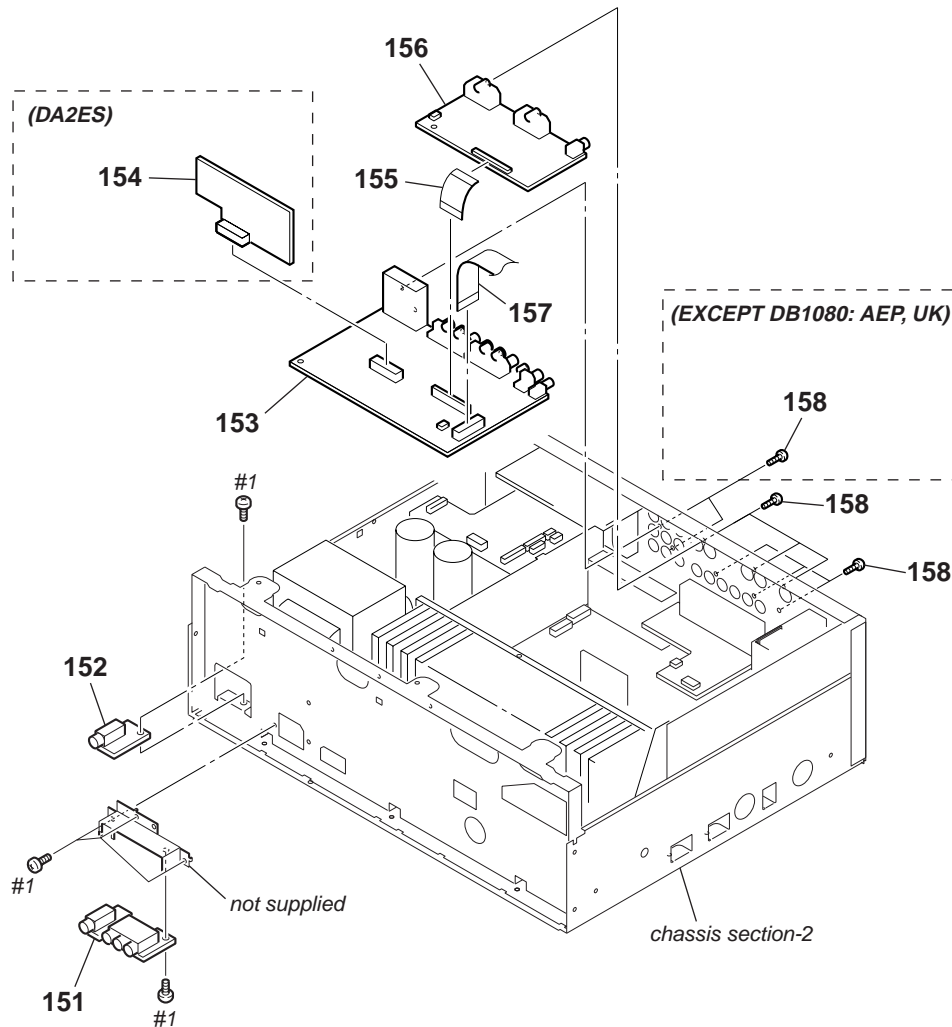
Ref. No.	Part No.	Description	Remark	Ref. No.	Part No.	Description	Remark
51	4-239-176-01	PANEL, FRONT (BLACK) (DA2ES)		55	4-240-392-21	MAGNET (SILVER)	
51	4-239-176-11	PANEL, FRONT (BLACK) (DB1080: AEP, UK)		56	1-684-333-11	POWER BOARD	
51	4-239-176-21	PANEL, FRONT (SILVER) (DB1080: AEP, UK)		57	4-951-620-01	SCREW (2.6X8), +BVTP	
51	4-239-176-31	PANEL, FRONT (GOLD) (DB1080: SP, MY, KR)		59	4-227-138-01	BUTTON (DISPLAY) (BLACK)	
51	4-239-176-41	PANEL, FRONT (GOLD) (DB1080: E)		59	4-227-138-11	BUTTON (DISPLAY) (GOLD)	
51	4-239-176-51	PANEL, FRONT (BLACK) (DB1080: E)		59	4-227-138-21	BUTTON (DISPLAY) (SILVER)	
52	X-4953-000-1	WINDOW ASSY, REMOTE CONTROL		60	X-4952-753-1	BRACKET (DAMPER L) ASSY	
53	A-4412-938-A	LID ASSY (BLACK)		61	4-240-391-01	DAMPER, OIL	
53	A-4412-940-A	LID ASSY (GOLD)		62	4-227-153-01	SHEET (LIGHT INTERCEPTION)	
53	A-4412-942-A	LID ASSY (SILVER)		63	4-233-625-01	HOLDER (6.1CH)	
54	4-217-729-01	KNOB (JOG) (BLACK)		64	1-765-352-11	WIRE (FLAT TYPE) (31 CORE)	
54	4-217-729-12	KNOB (JOG) (GOLD)		65	A-4728-472-A	DISPLAY BOARD, COMPLETE	
54	4-217-729-21	KNOB (JOG) (SILVER)		#1	7-685-646-79	SCREW +BVTP 3X8 TYPE2 IT-3	
55	4-240-392-01	MAGNET (BLACK)		#2	7-685-853-04	SCREW +BVTT 2X6 (S)	
55	4-240-392-11	MAGNET (GOLD)					

7-3. FRONT PANEL SECTION-2



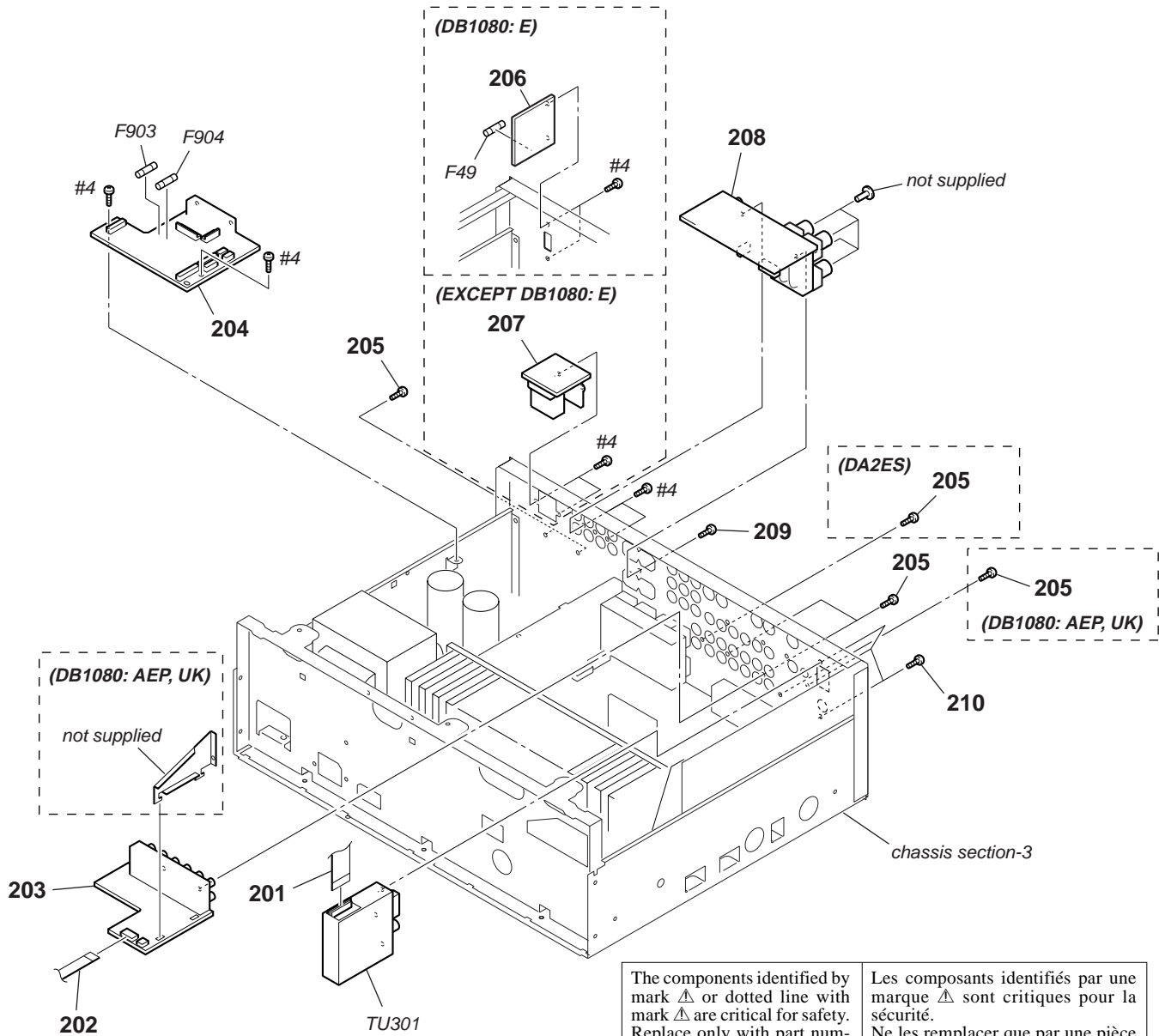
Ref. No.	Part No.	Description	Remark	Ref. No.	Part No.	Description	Remark
101	X-4954-564-1	BASE ASSY, PANEL (BLACK) (DA2ES)		108	4-917-583-71	BRACKET, YOKE	
101	X-4954-581-1	BASE ASSY, PANEL (BLACK) (DB1080: AEP, UK)		109	4-227-143-01	LEVER (OPEN) (BLACK)	
101	X-4954-582-1	BASE ASSY, PANEL (SILVER) (DB1080: AEP, UK)		109	4-227-143-11	LEVER (OPEN) (GOLD)	
101	X-4954-583-1	BASE ASSY, PANEL (GOLD)		109	4-227-143-21	LEVER (OPEN) (SILVER)	
		(DB1080: E, SP, MY, KR)		110	4-227-142-01	BUTTON (OPEN) (BLACK)	
101	X-4954-811-1	BASE ASSY, PANEL (BLACK) (DB1080: E)		110	4-227-142-11	BUTTON (OPEN) (GOLD)	
102	4-998-592-01	BUTTON (POWER) (BLACK)		110	4-227-142-21	BUTTON (OPEN) (SILVER)	
102	4-998-592-12	BUTTON (POWER) (GOLD)		111	1-684-332-11	MUTING BOARD	
102	4-998-592-23	BUTTON (POWER) (SILVER)		112	X-4952-765-1	BUTTON (MUTING) ASSY (BLACK)	
103	4-233-621-01	BUTTON (ON SCREEN) (BLACK)		112	X-4952-766-1	BUTTON (MUTING) ASSY (GOLD)	
103	4-233-621-11	BUTTON (ON SCREEN) (GOLD)					
103	4-233-621-21	BUTTON (ON SCREEN) (SILVER)		112	X-4952-767-1	BUTTON (MUTING) ASSY	
104	1-684-337-11	V3-OPT BOARD		113	4-233-620-01	BUTTON (INPUT MODE) (BLACK)	
105	A-4728-475-A	SW BOARD, COMPLETE		113	4-233-620-11	BUTTON (INPUT MODE) (GOLD)	
106	4-951-620-01	SCREW (2.6X8), +BVTP		113	4-233-620-21	BUTTON (INPUT MODE) (SILVER)	
107	4-227-150-01	SPRING, COMPRESSION		#1	7-685-646-79	SCREW +BVTP 3X8 TYPE2 IT-3	

7-4. CHASSIS SECTION-1



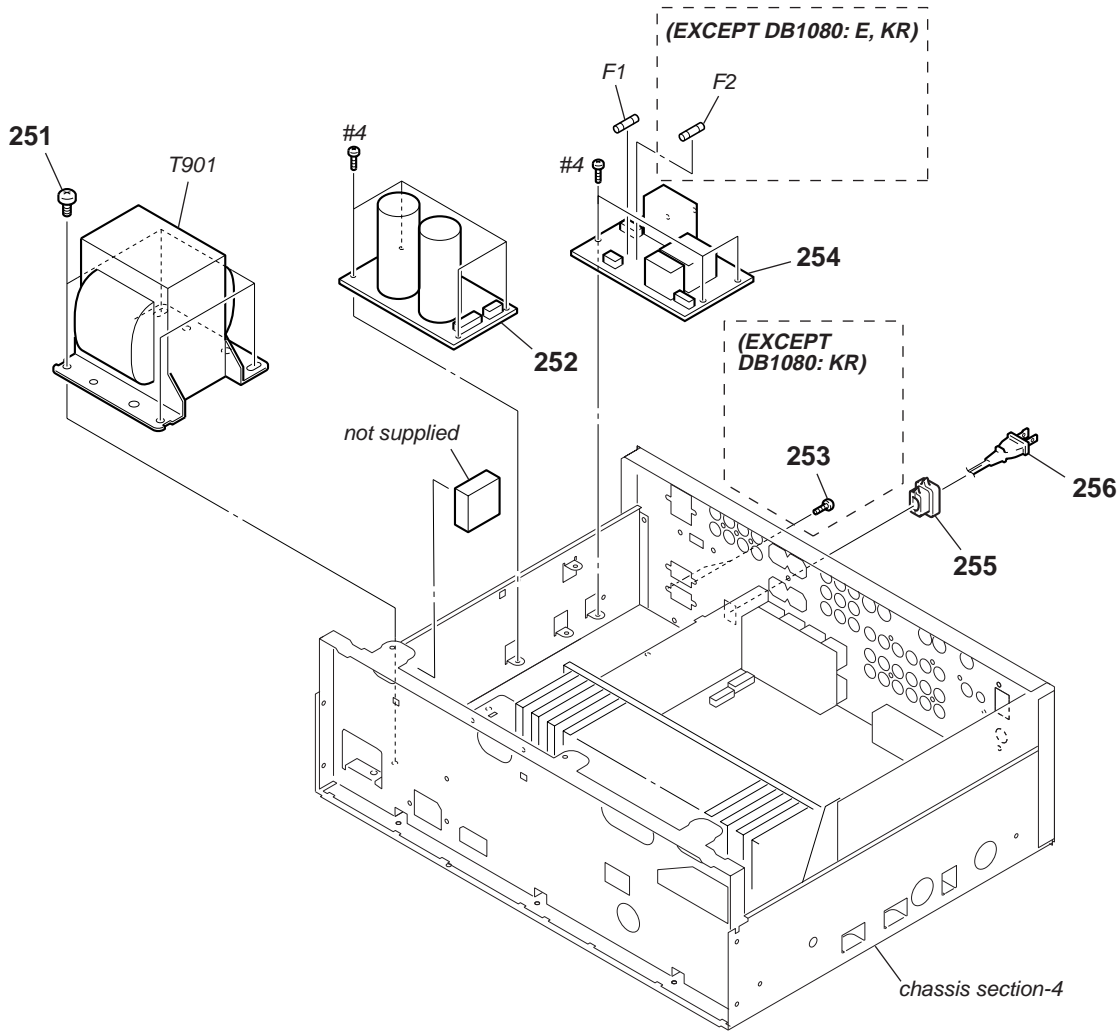
Ref. No.	Part No.	Description	Remark	Ref. No.	Part No.	Description	Remark
151	1-684-336-11	VIDEO 3 BOARD		155	1-773-105-11	WIRE (FLAT TYPE) (19 CORE) (DA2ES)	
152	1-684-335-11	H.P BOARD		156	A-4728-488-A	S-VIDEO BOARD, COMPLETE (DA2ES)	
153	A-4728-487-A	VIDEO BOARD, COMPLETE (DA2ES)		156	A-4728-504-A	S-VIDEO BOARD, COMPLETE (DB1080)	
153	A-4728-503-A	VIDEO BOARD, COMPLETE (DB1080: E, SP, MY)		157	1-773-003-11	WIRE (FLAT TYPE) (15 CORE) (DB1080)	
153	A-4728-522-A	VIDEO BOARD, COMPLETE (DB1080: AEP, UK)		157	1-773-143-11	WIRE (FLAT TYPE) (21 CORE) (DA2ES)	
153	A-4730-111-A	VIDEO BOARD, COMPLETE (DB1080: KR)		158	3-704-515-21	SCREW (BV/RING) (EXCEPT DB1080: AEP, UK)	
154	A-4728-955-A	UP CONVERT BOARD, COMPLETE (DA2ES)		158	4-974-510-11	SCREW (+BV 3X8 CU) (DB1080: AEP, UK)	
155	1-773-001-11	WIRE (FLAT TYPE) (15 CORE) (DB1080)		#1	7-685-646-79	SCREW +BVTP 3X8 TYPE2 IT-3	

7-5. CHASSIS SECTION-2



Ref. No.	Part No.	Description	Remark	Ref. No.	Part No.	Description	Remark
201	1-773-001-11	WIRE (FLAT TYPE) (15 CORE)(DB1080: AEP, UK)		209	3-704-515-51	SCREW (BV/RING) (DB1080: UK)	
201	1-769-937-11	WIRE (FLAT TYPE) (11 CORE) (EXCEPT DB1080: AEP, UK)		210	3-704-515-21	SCREW (BV/RING) (EXCEPT DB1080: AEP, UK)	
202	1-769-905-11	WIRE (FLAT TYPE) (9 CORE) (DB1080)		210	4-974-510-11	SCREW (+BV 3X8 CU) (DB1080: AEP, UK)	
202	1-773-002-11	WIRE (FLAT TYPE) (15 CORE) (DA2ES)		△F49	1-532-504-51	FUSE (T4AL/250V) (DB1080: E)	
203	A-4728-492-A	VIDEO.AU BOARD, COMPLETE (DA2ES)		△F903	1-532-464-51	FUSE (T2.5AL/250V) (DB1080)	
203	A-4728-505-A	VIDEO.AU BOARD, COMPLETE (DB1080)		△F903	1-533-419-11	FUSE, GLASS CYLINDRICAL (DIA.5) (4A/125V) (DA2ES: CND)	
204	A-4728-486-A	DC 2 BOARD, COMPLETE (DA2ES: US)		△F903	1-576-108-11	FUSE (4A/125V) (DA2ES: US)	
204	A-4728-496-A	DC 2 BOARD, COMPLETE (DA2ES: CND)		△F904	1-532-464-51	FUSE (T2.5AL/250V) (DB1080)	
204	A-4728-502-A	DC 2 BOARD, COMPLETE (DB1080: E, SP, MY, KR)		△F904	1-533-419-11	FUSE, GLASS CYLINDRICAL (DIA.5) (4A/125V) (DA2ES: CND)	
204	A-4728-521-A	DC 2 BOARD, COMPLETE (DB1080: AEP, UK)		△F904	1-576-108-11	FUSE (4A/125V) (DA2ES: US)	
205	3-704-515-21	SCREW (BV/RING) (EXCEPT DB1080: UK)		TU301	1-693-577-22	TUNER (US, CND, E)	
205	4-974-510-11	SCREW (+BV 3X8 CU) (DB1080: UK)		TU301	1-693-578-21	TUNER (AEP, UK)	
206	1-684-339-11	V.SWITCH BOARD (DB1080: E)		TU301	1-693-580-21	TUNER (SP, MY, KR)	
207	1-685-199-11	SP-B BOARD (EXCEPT DB1080: E)		#4	7-685-646-79	SCREW +BVTP 3X8 TYPE2 IT-3 (EXCEPT DB1080: AEP, UK)	
208	1-684-338-11	SP BOARD		#4	4-974-510-11	SCREW (+BV 3X8 CU) (DB1080: AEP, UK)	
209	3-704-515-11	SCREW (BV/RING) (EXCEPT DB1080: UK)					

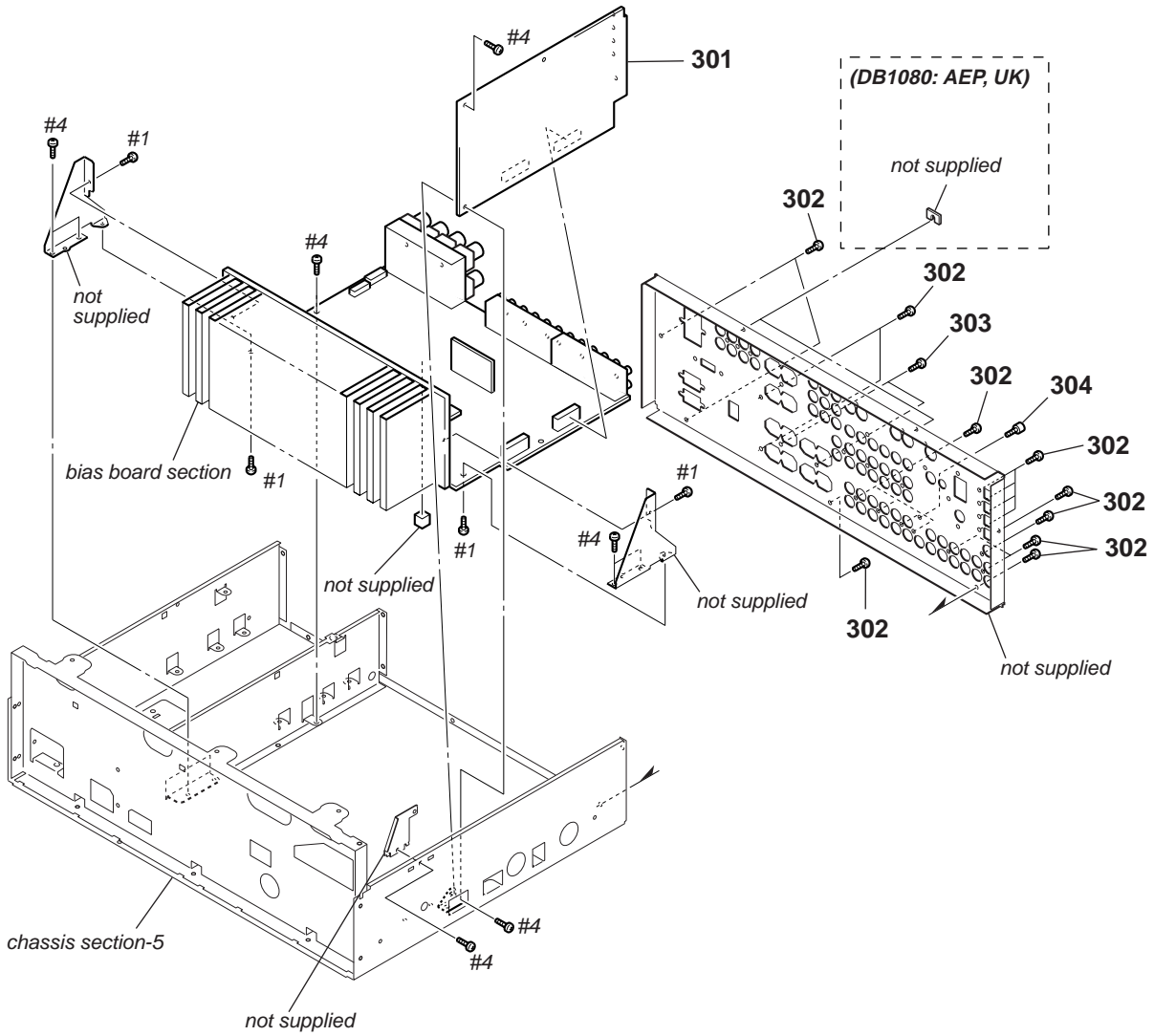
7-6. CHASSIS SECTION-3



<p>The components identified by mark \triangle or dotted line with mark \triangle are critical for safety. Replace only with part number specified.</p>	<p>Les composants identifiés par une marque \triangle sont critiques pour la sécurité. Ne les remplacer que par une pièce portant le numéro spécifié.</p>
---	--

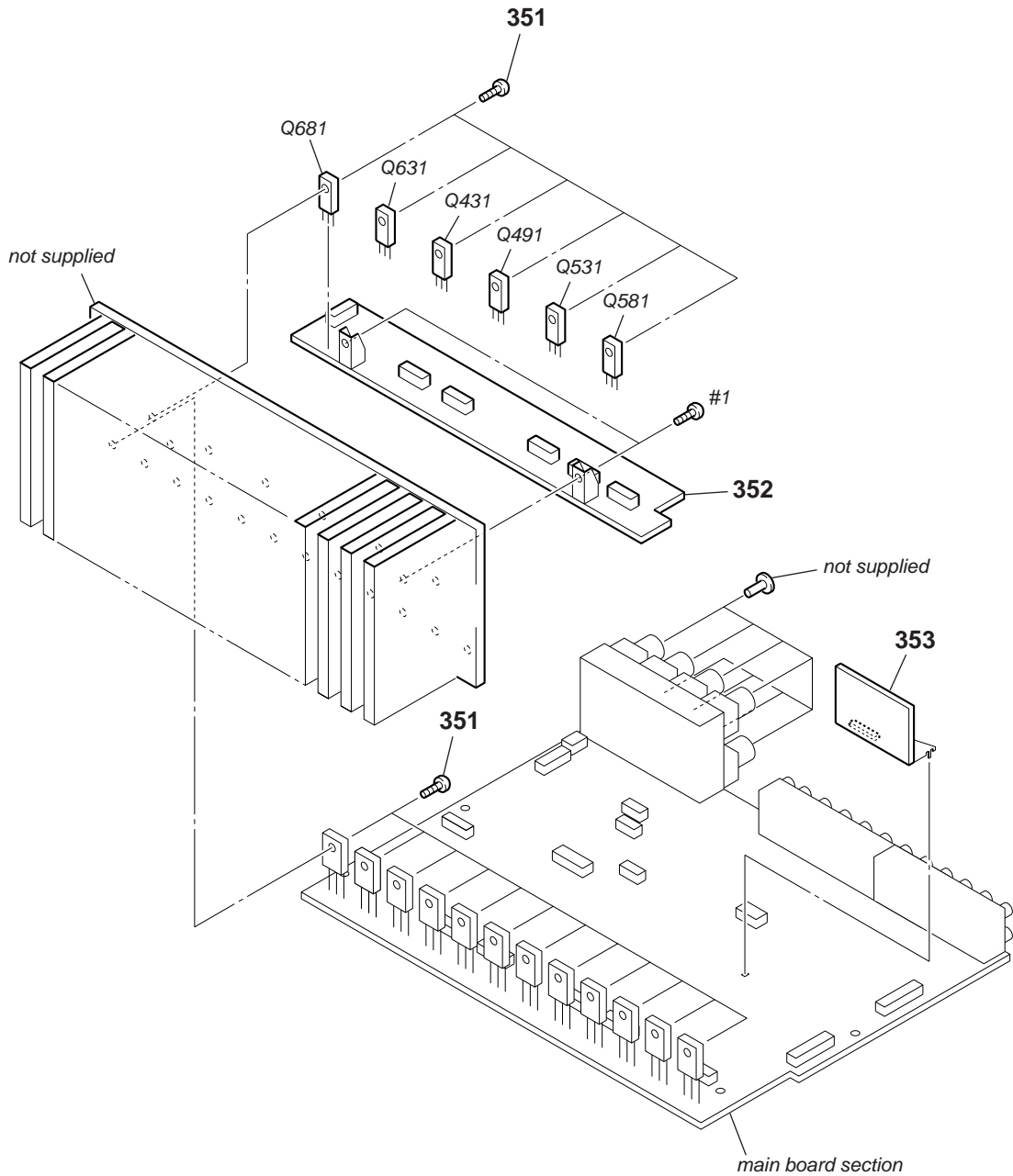
Ref. No.	Part No.	Description	Remark	Ref. No.	Part No.	Description	Remark
251	4-900-386-01	SCREW		\triangle 256	1-783-532-11	CORD, POWER (US)	
252	1-684-324-11	DC 1 BOARD		\triangle F1	1-532-504-51	FUSE (T4AL/250V) (DB1080)	
253	3-704-515-21	SCREW (BV/RING) (EXCEPT DB1080: AEP, UK)		\triangle F1	1-576-048-11	FUSE, GLASS TUBE (10A/125V) (DA2ES)	
253	4-974-510-11	SCREW (+BV 3X8 CU) (DB1080: AEP, UK)		\triangle F2	1-532-464-51	FUSE (T2.5AL/250V)	
254	A-4728-480-A	AC BOARD, COMPLETE (DA2ES)				(DB1080: AEP, UK, SP, MY)	
254	A-4728-511-A	AC BOARD, COMPLETE (DB1080: KR)		\triangle F2	1-576-048-11	FUSE, GLASS TUBE (10A/125V) (DA2ES)	
254	A-4728-515-A	AC BOARD, COMPLETE (DB1080: E)		\triangle T901	1-437-683-11	TRANSFORMER, POWER (US, CND)	
254	A-4730-537-A	AC BOARD, COMPLETE (DB1080: AEP, UK)		\triangle T901	1-437-686-11	TRANSFORMER, POWER (E)	
254	A-4730-604-A	AC BOARD, COMPLETE (DB1080: SP, MY)		\triangle T901	1-437-687-11	TRANSFORMER, POWER	
* 255	3-703-244-00	BUSHING (2104), CORD				(AEP, UK, SP, MY, KR)	
\triangle 256	1-769-079-21	CORD, POWER (KR)		#4	7-685-646-79	SCREW +BVTP 3X8 TYPE2 IT-3	
\triangle 256	1-769-743-11	CORD, POWER (CND)				(EXCEPT DB1080: AEP, UK)	
\triangle 256	1-769-744-11	CORD, POWER (AEP, UK)		#4	4-974-510-11	SCREW (+BV 3X8 CU) (DB1080: AEP, UK)	
\triangle 256	1-777-071-22	CORD, POWER (E, SP, MY)					

7-7. CHASSIS SECTION-4



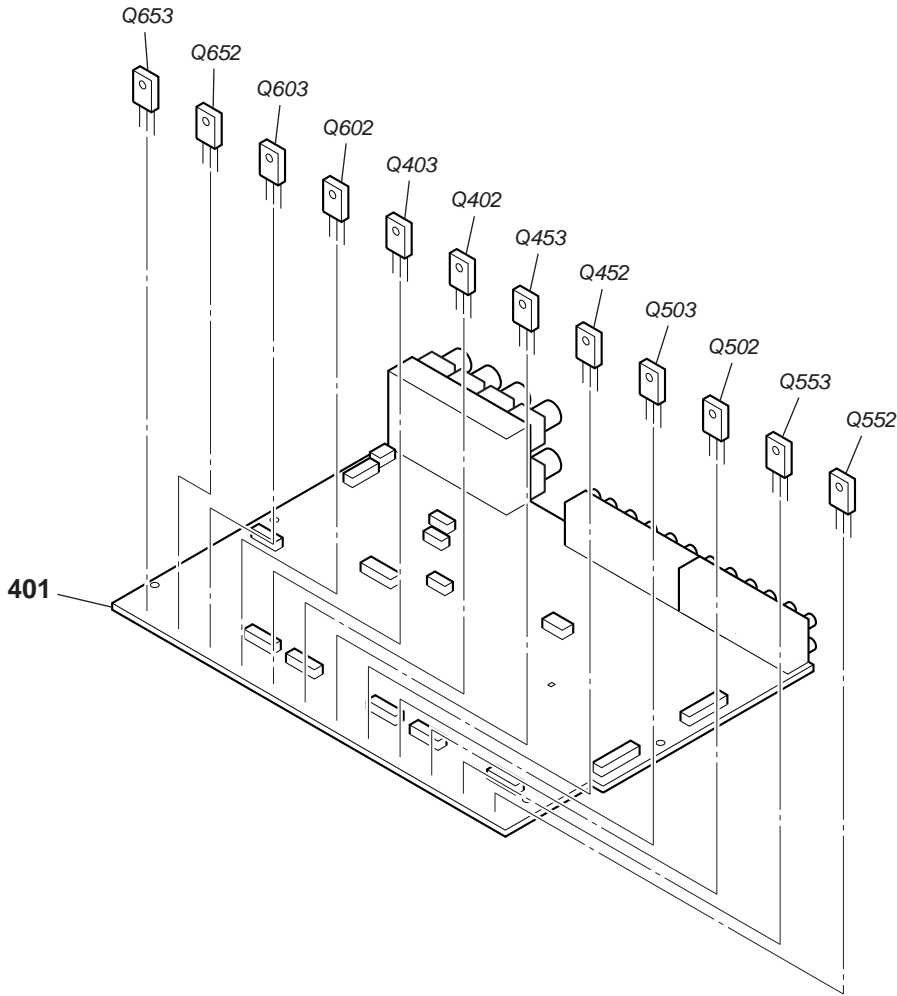
Ref. No.	Part No.	Description	Remark	Ref. No.	Part No.	Description	Remark
301	A-4728-489-A	DIGITAL BOARD, COMPLETE (DA2ES)		303	3-704-515-11	SCREW (BV/RING) (EXCEPT DB1080: UK)	
301	A-4728-506-A	DIGITAL BOARD, COMPLETE (DB1080: SP, MY)		303	3-704-515-51	SCREW (BV/RING) (DB1080: UK)	
301	A-4728-516-A	DIGITAL BOARD, COMPLETE (DB1080: E)		304	4-947-010-01	SCREW, FEEDER FIXED	
301	A-4728-523-A	DIGITAL BOARD, COMPLETE (DB1080: AEP, UK)		#1	7-685-646-79	SCREW +BVTP 3X8 TYPE2 IT-3	
301	A-4729-066-A	DIGITAL BOARD, COMPLETE (DB1080: KR)		#4	7-685-646-79	SCREW +BVTP 3X8 TYPE2 IT-3	(EXCEPT DB1080: AEP, UK)
302	3-704-515-21	SCREW (BV/RING) (EXCEPT DB1080: AEP, UK)		#4	4-974-510-11	SCREW (+BV 3X8 CU) (DB1080: AEP, UK)	
302	4-974-510-11	SCREW (+BV 3X8 CU) (DB1080: AEP, UK)					

7-8. BIAS BOARD SECTION



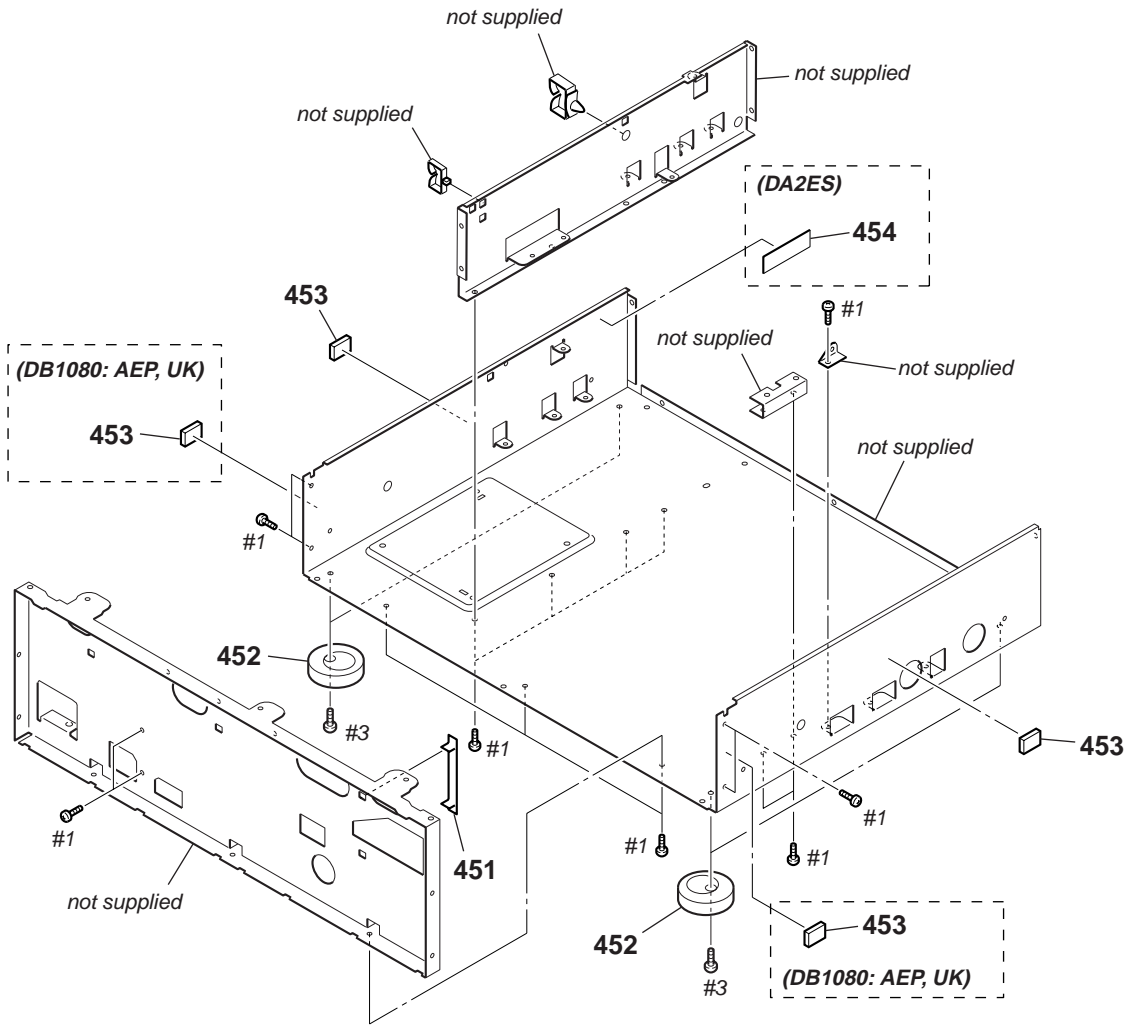
Ref. No.	Part No.	Description	Remark	Ref. No.	Part No.	Description	Remark
351	3-905-609-11	SCREW (TRANSISTOR)		Q431	8-729-026-08	TRANSISTOR	2SC4495
352	A-4728-471-A	BIAS BOARD, COMPLETE (DA2ES: US)		Q491	8-729-026-08	TRANSISTOR	2SC4495
352	A-4728-495-A	BIAS BOARD, COMPLETE (DA2ES: CND)		Q531	8-729-026-08	TRANSISTOR	2SC4495
352	A-4728-498-A	BIAS BOARD, COMPLETE (DB1080: SP, MY)		Q581	8-729-026-08	TRANSISTOR	2SC4495
352	A-4728-509-A	BIAS BOARD, COMPLETE (DB1080: E, KR)		Q631	8-729-026-08	TRANSISTOR	2SC4495
352	A-4728-519-A	BIAS BOARD, COMPLETE (DB1080: AEP, UK)		Q681	8-729-026-08	TRANSISTOR	2SC4495
353	1-685-267-11	MIX BOARD		#1	7-685-646-79	SCREW +BVTP 3X8 TYPE2 IT-3	

7-9. MAIN BOARD SECTION



Ref. No.	Part No.	Description	Remark	Ref. No.	Part No.	Description	Remark
401	A-4728-469-A	MAIN BOARD, COMPLETE (DA2ES: US)		Q502	8-729-051-92	TRANSISTOR	2SD2560
401	A-4728-494-A	MAIN BOARD, COMPLETE (DA2ES: CND)		Q503	8-729-051-93	TRANSISTOR	2SB1647
401	A-4728-497-A	MAIN BOARD, COMPLETE (DB1080: SP, MY)		Q552	8-729-051-92	TRANSISTOR	2SD2560
401	A-4728-508-A	MAIN BOARD, COMPLETE (DB1080: E, KR)		Q553	8-729-051-93	TRANSISTOR	2SB1647
401	A-4728-518-A	MAIN BOARD, COMPLETE (DB1080: AEP, UK)		Q602	8-729-051-92	TRANSISTOR	2SD2560
Q402	8-729-051-92	TRANSISTOR	2SD2560	Q603	8-729-051-93	TRANSISTOR	2SB1647
Q403	8-729-051-93	TRANSISTOR	2SB1647	Q652	8-729-051-92	TRANSISTOR	2SD2560
Q452	8-729-051-92	TRANSISTOR	2SD2560	Q653	8-729-051-93	TRANSISTOR	2SB1647
Q453	8-729-051-93	TRANSISTOR	2SB1647				

7-10. FOOT SECTION



Ref. No.	Part No.	Description	Remark	Ref. No.	Part No.	Description	Remark
* 451	3-225-496-01	CLAMP (FLAT CLAMP 45)		453	4-985-642-01	CUSHION	
452	X-4953-882-2	FOOT ASSY (DB1080: BLACK, SILVER)		* 454	3-703-044-26	LABEL, CAUTION (DA2ES)	
452	X-4953-883-2	FOOT ASSY (DA2ES)		#1	7-685-646-79	SCREW +BVTP 3X8 TYPE2 IT-3	
452	X-4953-884-2	FOOT ASSY (DB1080: GOLD)		#3	7-685-885-09	SCREW +BVTT 4X16 (S)	

SECTION 8
ELECTRICAL PARTS LIST

AC BIAS

NOTE:

- Due to standardization, replacements in the parts list may be different from the parts specified in the diagrams or the components used on the set.
- -XX and -X mean standardized parts, so they may have some difference from the original one.
- RESISTORS
All resistors are in ohms.
METAL: Metal-film resistor.
METAL OXIDE: Metal oxide-film resistor.
F: nonflammable
- Abbreviation
CND : Canadian model MY : Malaysia model
KR : Korean model SP : Singapore model

- Items marked “*” are not stocked since they are seldom required for routine service. Some delay should be anticipated when ordering these items.
- SEMICONDUCTORS
In each case, u: μ , for example:
uA. . . : μ A. . . uPA. . . : μ PA. . .
uPB. . . : μ PB. . . uPC. . . : μ PC. . .
uPD. . . : μ PD. . .
- CAPACITORS
uF: μ F
- COILS
uH: μ H

The components identified by mark Δ or dotted line with mark Δ are critical for safety. Replace only with part number specified.

Les composants identifiés par une marque Δ sont critiques pour la sécurité. Ne les remplacer que par une pièce portant le numéro spécifié.

When indicating parts by reference number, please include the board.

Ref. No.	Part No.	Description	Remark
	A-4728-480-A	AC BOARD, COMPLETE (DA2ES)	
	A-4728-511-A	AC BOARD, COMPLETE (DB1080: KR)	
	A-4728-515-A	AC BOARD, COMPLETE (DB1080: E)	
	A-4730-537-A	AC BOARD, COMPLETE (DB1080: AEP, UK)	
	A-4730-604-A	AC BOARD, COMPLETE (DB1080: SP, MY)	

	1-533-217-41	HOLDER, FUSE	
		< CAPACITOR >	
Δ C3	1-117-703-11	CERAMIC 0.0047uF 99% 250V	(DB1080: AEP, UK)
C51	1-126-927-11	ELECT 2200uF 20% 10V	
C52	1-136-287-11	MYLAR 0.0047uF 5% 50V	
C53	1-137-465-11	MYLAR 0.056uF 5% 50V	
C54	1-126-767-11	ELECT 1000uF 20% 16V	
C55	1-126-959-11	ELECT 0.47uF 20% 50V	
C56	1-128-817-11	CERAMIC 470PF 5% 50V	
		< CONNECTOR >	
* CN1	1-565-792-11	PIN, CONNECTOR (3.96mm PITCH) 2P	
CN2	1-564-321-00	PIN, CONNECTOR (3.96mm PITCH) 2P	
CN3	1-568-106-11	PIN, CONNECTOR (3.96mm PITCH) 4P	(DB1080: E)
		< AC OUTLET >	
Δ CNJ1	1-251-718-11	OUTLET (2 GANG) , AC (AC OUTLET)	(DA2ES/DB1080: E)
Δ CNJ1	1-785-285-11	OUTLET, AC (1P) (AC OUTLET)	(DB1080: AEP, UK, SP, MY)
		< DIODE >	
D51	8-719-911-19	DIODE 1SS119-25	
D52	8-719-911-19	DIODE 1SS119-25	
D53	8-719-911-19	DIODE 1SS119-25	
D54	8-719-210-21	DIODE 11EQS04	
D55	8-719-210-21	DIODE 11EQS04	
D56	8-719-210-21	DIODE 11EQS04	
D57	8-719-210-21	DIODE 11EQS04	
D58	8-719-024-99	DIODE 11ES2-NTA2B	
		< TERMINAL >	
* EB1	1-537-738-21	TERMINAL, EARTH (DA2ES)	
* EB51	1-537-738-21	TERMINAL, EARTH	

Ref. No.	Part No.	Description	Remark
		< TRANSISTOR >	
Q51	8-729-119-78	TRANSISTOR 2SC2785-HFE	
Q52	8-729-201-53	TRANSISTOR 2SA1015-GR	
Q53	8-729-116-02	TRANSISTOR BA1A4M-TP	
Q54	8-729-119-78	TRANSISTOR 2SC2785-HFE	
		< RESISTOR >	
Δ R1	1-219-237-11	SOLID 3.3M 20% 1/2W	(DA2ES)
R51	1-249-421-11	CARBON 2.2K 5% 1/4W	
R52	1-249-429-11	CARBON 10K 5% 1/4W	
R53	1-249-415-11	CARBON 680 5% 1/4W	
R54	1-249-437-11	CARBON 47K 5% 1/4W	
R55	1-249-435-11	CARBON 33K 5% 1/4W	
R56	1-249-429-11	CARBON 10K 5% 1/4W	
R57	1-249-429-11	CARBON 10K 5% 1/4W	
R58	1-247-807-31	CARBON 100 5% 1/4W	
		< RELAY >	
Δ RY1	1-755-439-11	RELAY	
		< TRANSFORMER >	
Δ T2	1-437-312-11	TRANSFORMER, POWER (DA2ES)	
Δ T2	1-437-313-11	TRANSFORMER, POWER (DB1080: SP, MY, KR)	
Δ T2	1-437-314-11	TRANSFORMER, POWER (DB1080: AEP, UK)	
Δ T2	1-437-313-21	TRANSFORMER, POWER (DB1080: E)	

	A-4728-471-A	BIAS BOARD, COMPLETE (DA2ES: US)	
	A-4728-495-A	BIAS BOARD, COMPLETE (DA2ES: CND)	
	A-4728-498-A	BIAS BOARD, COMPLETE (DB1080: SP, MY)	
	A-4728-509-A	BIAS BOARD, COMPLETE (DB1080: E, KR)	
	A-4728-519-A	BIAS BOARD, COMPLETE (DB1080: AEP, UK)	

		< CAPACITOR >	
C431	1-126-947-11	ELECT 47uF 20% 16V	(DA2ES)
C431	1-128-840-11	ELECT 47uF 20% 16V	(DB1080: E, SP, MY, KR)
C431	1-135-708-11	ELECT 47uF 16V	(DB1080: AEP, UK)
C432	1-128-813-11	CERAMIC 220PF 5% 50V	
C433	1-136-153-00	FILM 0.01uF 5% 50V	

Ref. No.	Part No.	Description	Remark			Ref. No.	Part No.	Description	Remark		
C434	1-119-824-11	ELECT	10uF	20%	50V (DB1080: AEP, UK)	C684	1-126-964-11	ELECT	10uF	20%	50V (EXCEPT DB1080: AEP, UK)
C434	1-126-964-11	ELECT	10uF	20%	50V (EXCEPT DB1080: AEP, UK)	C805	1-126-935-11	ELECT	470uF	20%	6.3V (EXCEPT DB1080: AEP, UK)
C481	1-126-947-11	ELECT	47uF	20%	16V (DA2ES)	C805	1-137-657-11	ELECT	470uF	20%	6.3V (DB1080: AEP, UK)
C481	1-128-840-11	ELECT	47uF	20%	16V (DB1080: E, SP, MY, KR)	C806	1-128-805-11	CERAMIC	47PF	5%	50V
C481	1-135-708-11	ELECT	47uF		16V (DB1080: AEP, UK)	C807	1-126-965-11	ELECT	22uF	20%	50V
C482	1-128-813-11	CERAMIC	220PF	5%	50V	C808	1-128-805-11	CERAMIC	47PF	5%	50V
C483	1-136-153-00	FILM	0.01uF	5%	50V	< CONNECTOR >					
C484	1-119-824-11	ELECT	10uF	20%	50V (DB1080: AEP, UK)	CN431	1-784-923-11	PIN, CONNECTOR 7P			
C484	1-126-964-11	ELECT	10uF	20%	50V (EXCEPT DB1080: AEP, UK)	CN481	1-784-923-11	PIN, CONNECTOR 7P			
C531	1-126-947-11	ELECT	47uF	20%	16V (DA2ES)	CN531	1-784-923-11	PIN, CONNECTOR 7P			
C531	1-128-840-11	ELECT	47uF	20%	16V (DB1080: E, SP, MY, KR)	CN581	1-784-923-11	PIN, CONNECTOR 7P			
C531	1-135-708-11	ELECT	47uF		16V (DB1080: AEP, UK)	CN631	1-784-923-11	PIN, CONNECTOR 7P			
C532	1-128-813-11	CERAMIC	220PF	5%	50V	CN681	1-784-923-11	PIN, CONNECTOR 7P			
C533	1-136-153-00	FILM	0.01uF	5%	50V	< DIODE >					
C534	1-119-824-11	ELECT	10uF	20%	50V (DB1080: AEP, UK)	D431	8-719-911-19	DIODE 1SS119-25			
C534	1-126-964-11	ELECT	10uF	20%	50V (EXCEPT DB1080: AEP, UK)	D432	8-719-911-19	DIODE 1SS119-25			
C581	1-126-947-11	ELECT	47uF	20%	16V (DA2ES)	D481	8-719-911-19	DIODE 1SS119-25			
C581	1-128-840-11	ELECT	47uF	20%	16V (DB1080: E, SP, MY, KR)	D482	8-719-911-19	DIODE 1SS119-25			
C581	1-135-708-11	ELECT	47uF		16V (DB1080: AEP, UK)	D531	8-719-911-19	DIODE 1SS119-25			
C582	1-128-813-11	CERAMIC	220PF	5%	50V	D532	8-719-911-19	DIODE 1SS119-25			
C583	1-136-153-00	FILM	0.01uF	5%	50V	D581	8-719-911-19	DIODE 1SS119-25			
C584	1-119-824-11	ELECT	10uF	20%	50V (DB1080: AEP, UK)	D582	8-719-911-19	DIODE 1SS119-25			
C584	1-126-964-11	ELECT	10uF	20%	50V (EXCEPT DB1080: AEP, UK)	D631	8-719-911-19	DIODE 1SS119-25			
C631	1-126-947-11	ELECT	47uF	20%	16V (DA2ES)	D632	8-719-911-19	DIODE 1SS119-25			
C631	1-128-840-11	ELECT	47uF	20%	16V (DB1080: E, SP, MY, KR)	D681	8-719-911-19	DIODE 1SS119-25			
C631	1-135-708-11	ELECT	47uF		16V (DB1080: AEP, UK)	D682	8-719-911-19	DIODE 1SS119-25			
C632	1-128-813-11	CERAMIC	220PF	5%	50V	D805	8-719-911-19	DIODE 1SS119-25			
C633	1-136-153-00	FILM	0.01uF	5%	50V	D806	8-719-911-19	DIODE 1SS119-25			
C634	1-119-824-11	ELECT	10uF	20%	50V (DB1080: AEP, UK)	D807	8-719-911-19	DIODE 1SS119-25			
C634	1-126-964-11	ELECT	10uF	20%	50V (EXCEPT DB1080: AEP, UK)	D808	8-719-911-19	DIODE 1SS119-25			
C681	1-126-947-11	ELECT	47uF	20%	16V (DA2ES)	D817	8-719-911-19	DIODE 1SS119-25			
C681	1-128-840-11	ELECT	47uF	20%	16V (DB1080: E, SP, MY, KR)	< IC >					
C681	1-135-708-11	ELECT	47uF		16V (DB1080: AEP, UK)	IC803	8-759-636-74	IC M5218AP-22			
C682	1-128-813-11	CERAMIC	220PF	5%	50V	< TRANSISTOR >					
C683	1-136-153-00	FILM	0.01uF	5%	50V	Q432	8-729-140-82	TRANSISTOR	2SA988-PAFAEA		
C684	1-119-824-11	ELECT	10uF	20%	50V (DB1080: AEP, UK)	Q433	8-729-140-82	TRANSISTOR	2SA988-PAFAEA		
						Q434	8-729-281-53	TRANSISTOR	2SC1815-GR		
						Q482	8-729-140-82	TRANSISTOR	2SA988-PAFAEA		
						Q483	8-729-140-82	TRANSISTOR	2SA988-PAFAEA		
						Q484	8-729-281-53	TRANSISTOR	2SC1815-GR		
						Q532	8-729-140-82	TRANSISTOR	2SA988-PAFAEA		
						Q533	8-729-140-82	TRANSISTOR	2SA988-PAFAEA		
						Q534	8-729-281-53	TRANSISTOR	2SC1815-GR		
						Q582	8-729-140-82	TRANSISTOR	2SA988-PAFAEA		
						Q583	8-729-140-82	TRANSISTOR	2SA988-PAFAEA		
						Q584	8-729-281-53	TRANSISTOR	2SC1815-GR		
						Q632	8-729-140-82	TRANSISTOR	2SA988-PAFAEA		
						Q633	8-729-140-82	TRANSISTOR	2SA988-PAFAEA		
						Q634	8-729-281-53	TRANSISTOR	2SC1815-GR		
						Q682	8-729-140-82	TRANSISTOR	2SA988-PAFAEA		

BIAS

Ref. No.	Part No.	Description	Remark
Q683	8-729-140-82	TRANSISTOR	2SA988-PAFAEA
Q684	8-729-281-53	TRANSISTOR	2SC1815-GR
Q802	8-729-119-78	TRANSISTOR	2SC2785-HFE
Q803	8-729-140-82	TRANSISTOR	2SA988-PAFAEA
Q804	8-729-900-36	TRANSISTOR	DTC124ES
Q805	8-729-140-84	TRANSISTOR	2SC1841-PAFAEA
< RESISTOR >			
R432	1-243-131-22	CARBON	4.7K 5% 1/4W (DB1080: AEP, UK)
R432	1-249-425-11	CARBON	4.7K 5% 1/4W (EXCEPT DB1080: AEP, UK)
R433	1-243-115-22	CARBON	1K 5% 1/4W (DB1080: AEP, UK)
R433	1-249-417-11	CARBON	1K 5% 1/4W (EXCEPT DB1080: AEP, UK)
R434	1-243-139-22	CARBON	10K 5% 1/4W (DB1080: AEP, UK)
R434	1-249-429-11	CARBON	10K 5% 1/4W (EXCEPT DB1080: AEP, UK)
△R435	1-240-855-11	CARBON	6.2K 5% 1/4W F
R436	1-249-425-11	CARBON	4.7K 5% 1/4W
R437	1-249-420-11	CARBON	1.8K 5% 1/4W
R438	1-249-439-11	CARBON	68K 5% 1/4W
R439	1-249-431-11	CARBON	15K 5% 1/4W
R440	1-247-843-11	CARBON	3.3K 5% 1/4W (DA2ES)
R440	1-249-421-11	CARBON	2.2K 5% 1/4W (DB1080)
R441	1-249-433-11	CARBON	22K 5% 1/4W
R442	1-249-431-11	CARBON	15K 5% 1/4W
R443	1-249-437-11	CARBON	47K 5% 1/4W
R444	1-249-437-11	CARBON	47K 5% 1/4W
R445	1-249-433-11	CARBON	22K 5% 1/4W
R482	1-243-131-22	CARBON	4.7K 5% 1/4W (DB1080: AEP, UK)
R482	1-249-425-11	CARBON	4.7K 5% 1/4W (EXCEPT DB1080: AEP, UK)
R483	1-243-115-22	CARBON	1K 5% 1/4W (DB1080: AEP, UK)
R483	1-249-417-11	CARBON	1K 5% 1/4W (EXCEPT DB1080: AEP, UK)
R484	1-243-139-22	CARBON	10K 5% 1/4W (DB1080: AEP, UK)
R484	1-249-429-11	CARBON	10K 5% 1/4W (EXCEPT DB1080: AEP, UK)
△R485	1-240-855-11	CARBON	6.2K 5% 1/4W F
R486	1-249-425-11	CARBON	4.7K 5% 1/4W
R487	1-249-420-11	CARBON	1.8K 5% 1/4W
R488	1-249-439-11	CARBON	68K 5% 1/4W
R489	1-249-431-11	CARBON	15K 5% 1/4W
R490	1-247-843-11	CARBON	3.3K 5% 1/4W (DA2ES)
R490	1-249-421-11	CARBON	2.2K 5% 1/4W (DB1080)
R491	1-249-433-11	CARBON	22K 5% 1/4W
R492	1-249-431-11	CARBON	15K 5% 1/4W
R493	1-249-437-11	CARBON	47K 5% 1/4W
R494	1-249-437-11	CARBON	47K 5% 1/4W
R495	1-249-433-11	CARBON	22K 5% 1/4W

Ref. No.	Part No.	Description	Remark
R532	1-243-131-22	CARBON	4.7K 5% 1/4W (DB1080: AEP, UK)
R532	1-249-425-11	CARBON	4.7K 5% 1/4W (EXCEPT DB1080: AEP, UK)
R533	1-243-115-22	CARBON	1K 5% 1/4W (DB1080: AEP, UK)
R533	1-249-417-11	CARBON	1K 5% 1/4W (EXCEPT DB1080: AEP, UK)
R534	1-243-139-22	CARBON	10K 5% 1/4W (DB1080: AEP, UK)
R534	1-249-429-11	CARBON	10K 5% 1/4W (EXCEPT DB1080: AEP, UK)
△R535	1-240-855-11	CARBON	6.2K 5% 1/4W F
R536	1-249-425-11	CARBON	4.7K 5% 1/4W
R537	1-249-420-11	CARBON	1.8K 5% 1/4W
R538	1-249-439-11	CARBON	68K 5% 1/4W
R539	1-249-431-11	CARBON	15K 5% 1/4W
R540	1-247-843-11	CARBON	3.3K 5% 1/4W (DA2ES)
R540	1-249-421-11	CARBON	2.2K 5% 1/4W (DB1080)
R541	1-249-433-11	CARBON	22K 5% 1/4W
R542	1-249-431-11	CARBON	15K 5% 1/4W
R543	1-249-437-11	CARBON	47K 5% 1/4W
R544	1-249-437-11	CARBON	47K 5% 1/4W
R545	1-249-433-11	CARBON	22K 5% 1/4W
R582	1-243-131-22	CARBON	4.7K 5% 1/4W (DB1080: AEP, UK)
R582	1-249-425-11	CARBON	4.7K 5% 1/4W (EXCEPT DB1080: AEP, UK)
R583	1-243-115-22	CARBON	1K 5% 1/4W (DB1080: AEP, UK)
R583	1-249-417-11	CARBON	1K 5% 1/4W (EXCEPT DB1080: AEP, UK)
R584	1-243-139-22	CARBON	10K 5% 1/4W (DB1080: AEP, UK)
R584	1-249-429-11	CARBON	10K 5% 1/4W (EXCEPT DB1080: AEP, UK)
△R585	1-240-855-11	CARBON	6.2K 5% 1/4W F
R586	1-249-425-11	CARBON	4.7K 5% 1/4W
R587	1-249-420-11	CARBON	1.8K 5% 1/4W
R588	1-249-439-11	CARBON	68K 5% 1/4W
R589	1-249-431-11	CARBON	15K 5% 1/4W
R590	1-247-843-11	CARBON	3.3K 5% 1/4W (DA2ES)
R590	1-249-421-11	CARBON	2.2K 5% 1/4W (DB1080)
R591	1-249-433-11	CARBON	22K 5% 1/4W
R592	1-249-431-11	CARBON	15K 5% 1/4W
R593	1-249-437-11	CARBON	47K 5% 1/4W
R594	1-249-437-11	CARBON	47K 5% 1/4W
R595	1-249-433-11	CARBON	22K 5% 1/4W
R632	1-243-131-22	CARBON	4.7K 5% 1/4W (DB1080: AEP, UK)
R632	1-249-425-11	CARBON	4.7K 5% 1/4W (EXCEPT DB1080: AEP, UK)
R633	1-243-115-22	CARBON	1K 5% 1/4W (DB1080: AEP, UK)
R633	1-249-417-11	CARBON	1K 5% 1/4W (EXCEPT DB1080: AEP, UK)

The components identified by mark △ or dotted line with mark △ are critical for safety. Replace only with part number specified.

Les composants identifiés par une marque △ sont critiques pour la sécurité. Ne les remplacer que par une pièce portant le numéro spécifié.

BIAS **DC 1** **DC 2**

Ref. No.	Part No.	Description	Remark	Ref. No.	Part No.	Description	Remark
R634	1-243-139-22	CARBON	10K 5% 1/4W (DB1080: AEP, UK)	C916	1-137-666-12	ELECT	15000uF 20% 71V
R634	1-249-429-11	CARBON	10K 5% 1/4W (EXCEPT DB1080: AEP, UK)	C917	1-136-196-11	MYLAR	0.033uF 10% 250V (DA2ES)
△R635	1-240-855-11	CARBON	6.2K 5% 1/4W F	C917	1-137-350-11	MYLAR	0.015uF 10% 100V (DB1080)
R636	1-249-425-11	CARBON	4.7K 5% 1/4W	C918	1-136-196-11	MYLAR	0.033uF 10% 250V (DA2ES)
R637	1-249-420-11	CARBON	1.8K 5% 1/4W	C918	1-137-350-11	MYLAR	0.015uF 10% 100V (DB1080)
R638	1-249-439-11	CARBON	68K 5% 1/4W	C919	1-104-999-11	MYLAR	0.1uF 10% 200V (DB1080)
R639	1-249-431-11	CARBON	15K 5% 1/4W				
R640	1-247-843-11	CARBON	3.3K 5% 1/4W (DA2ES)				
R640	1-249-421-11	CARBON	2.2K 5% 1/4W (DB1080)			< DIODE >	
R641	1-249-433-11	CARBON	22K 5% 1/4W	D914	8-719-505-60	DIODE S5VB60	
R642	1-249-431-11	CARBON	15K 5% 1/4W			< RESISTOR >	
R643	1-249-437-11	CARBON	47K 5% 1/4W	△R913	1-249-407-11	CARBON	150 5% 1/4W F (DB1080)
R644	1-249-437-11	CARBON	47K 5% 1/4W				*****
R645	1-249-433-11	CARBON	22K 5% 1/4W			A-4728-486-A	DC 2 BOARD, COMPLETE (DA2ES: US)
R682	1-243-131-22	CARBON	4.7K 5% 1/4W (DB1080: AEP, UK)			A-4728-496-A	DC 2 BOARD, COMPLETE (DA2ES: CND)
R682	1-249-425-11	CARBON	4.7K 5% 1/4W (EXCEPT DB1080: AEP, UK)			A-4728-502-A	DC 2 BOARD, COMPLETE (DB1080: E, SP, MY, KR)
R683	1-243-115-22	CARBON	1K 5% 1/4W (DB1080: AEP, UK)			A-4728-521-A	DC 2 BOARD, COMPLETE (DB1080: AEP, UK) *****
R683	1-249-417-11	CARBON	1K 5% 1/4W (EXCEPT DB1080: AEP, UK)			1-533-217-41	HOLDER, FUSE
R684	1-243-139-22	CARBON	10K 5% 1/4W (DB1080: AEP, UK)				< CAPACITOR >
R684	1-249-429-11	CARBON	10K 5% 1/4W (EXCEPT DB1080: AEP, UK)	C901	1-126-947-11	ELECT	47uF 20% 16V
△R685	1-240-855-11	CARBON	6.2K 5% 1/4W F	C902	1-126-953-11	ELECT	2200uF 20% 35V (DA2ES)
R686	1-249-425-11	CARBON	4.7K 5% 1/4W	C902	1-127-732-51	ELECT	2200uF 20% 35V (DB1080: E, SP, MY, KR)
R687	1-249-420-11	CARBON	1.8K 5% 1/4W	C902	1-135-781-51	ELECT	2200uF 35V (DB1080: AEP, UK)
R688	1-249-439-11	CARBON	68K 5% 1/4W	C903	1-126-952-11	ELECT	1000uF 20% 35V (DA2ES)
R689	1-249-431-11	CARBON	15K 5% 1/4W	C903	1-127-731-51	ELECT	1000uF 20% 35V (DB1080: E, SP, MY, KR)
R690	1-247-843-11	CARBON	3.3K 5% 1/4W (DA2ES)	C903	1-135-780-51	ELECT	1000uF 35V (DB1080: AEP, UK)
R690	1-249-421-11	CARBON	2.2K 5% 1/4W (DB1080)	C904	1-126-967-11	ELECT	47uF 20% 50V
R691	1-249-433-11	CARBON	22K 5% 1/4W	C905	1-126-947-11	ELECT	47uF 20% 16V
R692	1-249-431-11	CARBON	15K 5% 1/4W	C906	1-126-967-11	ELECT	47uF 20% 50V
R693	1-249-437-11	CARBON	47K 5% 1/4W	C907	1-126-937-11	ELECT	4700uF 20% 16V (DA2ES)
R694	1-249-437-11	CARBON	47K 5% 1/4W	C907	1-127-723-51	ELECT	4700uF 20% 16V (DB1080: E, SP, MY, KR)
R695	1-249-433-11	CARBON	22K 5% 1/4W	C907	1-135-696-11	ELECT	4700uF 16V (DB1080: AEP, UK)
R801	1-249-433-11	CARBON	22K 5% 1/4W	C908	1-126-767-11	ELECT	1000uF 20% 16V
R802	1-249-417-11	CARBON	1K 5% 1/4W	C909	1-128-554-11	ELECT	330uF 20% 63V
R803	1-249-435-11	CARBON	33K 5% 1/4W	C912	1-126-947-11	ELECT	47uF 20% 16V
R804	1-249-429-11	CARBON	10K 5% 1/4W	C920	1-162-306-11	CERAMIC	0.01uF 30% 16V
R805	1-249-429-11	CARBON	10K 5% 1/4W			< CONNECTOR >	
R806	1-249-433-11	CARBON	22K 5% 1/4W	CN902	1-784-923-11	PIN, CONNECTOR 7P	
R807	1-249-429-11	CARBON	10K 5% 1/4W	CN904	1-784-922-11	PIN, CONNECTOR 5P	
R810	1-249-429-11	CARBON	10K 5% 1/4W	CN905	1-785-101-11	PIN, CONNECTOR (3.96mm PITCH) 3P	
R811	1-247-895-00	CARBON	470K 5% 1/4W				

	1-684-324-11	DC 1 BOARD					

		< CAPACITOR >					
C915	1-137-666-12	ELECT	15000uF 20% 71V				

The components identified by mark △ or dotted line with mark △ are critical for safety. Replace only with part number specified.	Les composants identifiés par une marque △ sont critiques pour la sécurité. Ne les remplacer que par une pièce portant le numéro spécifié.
--	--

STR-DA2ES/DB1080

DC 2 DIGITAL

Ref. No.	Part No.	Description	Remark
CN906	1-691-768-11	PLUG (MICRO CONNECTOR) 6P	
CN907	1-564-510-11	PLUG (MICRO CONNECTOR) 6P	
CN909	1-785-103-11	PIN, CONNECTOR (3.96mm PITCH) 5P	
< DIODE >			
D901	8-719-109-89	DIODE RD5.6ESB2	
D902	8-719-983-95	DIODE MTZJ-T-72-39	
D903	8-719-024-99	DIODE 11ES2-NTA2B	
D904	8-719-024-99	DIODE 11ES2-NTA2B	
D905	8-719-024-99	DIODE 11ES2-NTA2B	
D906	8-719-024-99	DIODE 11ES2-NTA2B	
D907	8-719-118-63	DIODE RD5.6F-T7B2	
D908	8-719-510-53	DIODE D4SB60L	
D909	8-719-024-99	DIODE 11ES2-NTA2B	
D912	8-719-024-99	DIODE 11ES2-NTA2B	
D913	8-719-024-99	DIODE 11ES2-NTA2B	
< TERMINAL >			
* EB902	1-537-738-21	TERMINAL, EARTH	
< TRANSISTOR >			
Q902	8-729-041-38	TRANSISTOR 2SB1241-Q-TV2	
Q903	8-729-051-94	TRANSISTOR 2SD1863TV2	
Q904	8-729-119-76	TRANSISTOR 2SA1115-EF	
Q905	8-729-119-76	TRANSISTOR 2SA1115-EF	
< RESISTOR >			
R902	1-249-433-11	CARBON 22K 5% 1/4W	
R903	1-249-421-11	CARBON 2.2K 5% 1/4W	
R904	1-249-429-11	CARBON 10K 5% 1/4W	
R905	1-249-429-11	CARBON 10K 5% 1/4W	
R906	1-249-421-11	CARBON 2.2K 5% 1/4W	
R908	1-249-429-11	CARBON 10K 5% 1/4W	
△ R909	1-249-385-11	CARBON 2.2 5% 1/6W F	(DA2ES: US, DB1080)
△ R909	1-212-974-00	FUSIBLE 47 5% 1/2W F	(DA2ES: CND)
△ R910	1-249-385-11	CARBON 2.2 5% 1/6W F	(DA2ES: US, DB1080)
△ R910	1-212-974-00	FUSIBLE 47 5% 1/2W F	(DA2ES: CND)
△ R911	1-216-349-81	METAL OXIDE 1 5% 1W F	
△ R912	1-216-349-81	METAL OXIDE 1 5% 1W F	
< SWITCH >			
S901	1-771-876-11	SWITCH, POWER (IMPEDANCE SELECTOR)	

Ref. No.	Part No.	Description	Remark
	A-4728-489-A	DIGITAL BOARD, COMPLETE (DA2ES)	
	A-4728-506-A	DIGITAL BOARD, COMPLETE (DB1080: SP, MY)	
	A-4728-516-A	DIGITAL BOARD, COMPLETE (DB1080: E)	
	A-4728-523-A	DIGITAL BOARD, COMPLETE	(DB1080: AEP, UK)
	A-4729-066-A	DIGITAL BOARD, COMPLETE (DB1080: KR)	

*	3-309-144-21	HEAT SINK	
	7-685-872-09	SCREW +BVTT 3X8 (S)	
< CAPACITOR >			
C1101	1-165-319-11	CERAMIC CHIP 0.1uF	50V
C1102	1-126-947-11	ELECT 47uF	20% 16V
(EXCEPT DB1080: AEP, UK)			
C1102	1-128-840-11	ELECT 47uF	20% 16V
(DB1080: AEP, UK)			
C1103	1-119-824-11	ELECT 10uF	20% 50V
(DB1080: AEP, UK)			
C1103	1-126-964-11	ELECT 10uF	20% 50V
(EXCEPT DB1080: AEP, UK)			
C1104	1-119-823-11	ELECT 4.7uF	20% 50V
(DB1080: AEP, UK)			
C1104	1-126-963-11	ELECT 4.7uF	20% 50V
(EXCEPT DB1080: AEP, UK)			
C1105	1-163-133-00	CERAMIC CHIP 470PF	5% 50V
C1106	1-119-823-11	ELECT 4.7uF	20% 50V
(DB1080: AEP, UK)			
C1106	1-126-963-11	ELECT 4.7uF	20% 50V
(EXCEPT DB1080: AEP, UK)			
C1107	1-119-824-11	ELECT 10uF	20% 50V
(DB1080: AEP, UK)			
C1107	1-126-964-11	ELECT 10uF	20% 50V
(EXCEPT DB1080: AEP, UK)			
C1108	1-163-133-00	CERAMIC CHIP 470PF	5% 50V
C1109	1-126-947-11	ELECT 47uF	20% 16V
(EXCEPT DB1080: AEP, UK)			
C1109	1-128-840-11	ELECT 47uF	20% 16V
(DB1080: AEP, UK)			
C1110	1-165-319-11	CERAMIC CHIP 0.1uF	50V
C1111	1-165-319-11	CERAMIC CHIP 0.1uF	50V
C1112	1-165-319-11	CERAMIC CHIP 0.1uF	50V
C1113	1-165-319-11	CERAMIC CHIP 0.1uF	50V
C1114	1-163-125-00	CERAMIC CHIP 220PF	5% 50V
C1115	1-163-125-00	CERAMIC CHIP 220PF	5% 50V
C1116	1-165-319-11	CERAMIC CHIP 0.1uF	50V
C1121	1-126-965-11	ELECT 22uF	20% 50V
(EXCEPT DB1080: AEP, UK)			
C1121	1-128-858-11	ELECT 22uF	20% 50V
(DB1080: AEP, UK)			
C1131	1-126-965-11	ELECT 22uF	20% 50V
(EXCEPT DB1080: AEP, UK)			
C1131	1-128-858-11	ELECT 22uF	20% 50V
(DB1080: AEP, UK)			
C1201	1-104-661-11	ELECT 330uF	20% 16V
(DA2ES)			
C1201	1-128-846-11	ELECT 330uF	20% 16V
(DB1080: E, SP, MY, KR)			
C1201	1-135-724-11	ELECT 330uF	16V
(DB1080: AEP, UK)			
C1202	1-165-319-11	CERAMIC CHIP 0.1uF	50V
C1203	1-165-319-11	CERAMIC CHIP 0.1uF	50V

The components identified by mark △ or dotted line with mark △ are critical for safety. Replace only with part number specified.	Les composants identifiés par une marque △ sont critiques pour la sécurité. Ne les remplacer que par une pièce portant le numéro spécifié.
--	--

DIGITAL

Ref. No.	Part No.	Description	Remark	Ref. No.	Part No.	Description	Remark
C1204	1-126-934-11	ELECT	220uF 20% 16V (DA2ES)	C1264	1-135-744-11	ELECT	22uF 50V (DB1080: AEP, UK)
C1204	1-127-719-11	ELECT	220uF 20% 16V (DB1080: E, SP, MY, KR)	C1272	1-163-012-00	CERAMIC CHIP	0.0018uF 5% 50V
C1204	1-135-710-11	ELECT	220uF 16V (DB1080: AEP, UK)	C1273	1-163-257-11	CERAMIC CHIP	180PF 5% 50V
C1206	1-165-319-11	CERAMIC CHIP	0.1uF 50V	C1274	1-126-965-11	ELECT	22uF 20% 50V (DA2ES)
C1207	1-119-824-11	ELECT	10uF 20% 50V (DB1080: E, SP, MY, KR)	C1274	1-128-858-11	ELECT	22uF 20% 50V (DB1080: E, SP, MY, KR)
C1207	1-126-964-11	ELECT	10uF 20% 50V (DA2ES)	C1274	1-135-744-11	ELECT	22uF 50V (DB1080: AEP, UK)
C1207	1-135-743-11	ELECT	10uF 50V (DB1080: AEP, UK)	C1282	1-163-012-00	CERAMIC CHIP	0.0018uF 5% 50V
C1209	1-165-319-11	CERAMIC CHIP	0.1uF 50V	C1283	1-163-257-11	CERAMIC CHIP	180PF 5% 50V
C1210	1-165-319-11	CERAMIC CHIP	0.1uF 50V	C1284	1-126-965-11	ELECT	22uF 20% 50V (DA2ES)
C1211	1-165-319-11	CERAMIC CHIP	0.1uF 50V	C1284	1-128-858-11	ELECT	22uF 20% 50V (DB1080: E, SP, MY, KR)
C1212	1-165-319-11	CERAMIC CHIP	0.1uF 50V	C1284	1-135-744-11	ELECT	22uF 50V (DB1080: AEP, UK)
C1213	1-119-824-11	ELECT	10uF 20% 50V (DB1080: E, SP, MY, KR)	C1302	1-163-021-11	CERAMIC CHIP	0.01uF 10% 50V
C1213	1-126-964-11	ELECT	10uF 20% 50V (DA2ES)	C1303			
C1213	1-135-743-11	ELECT	10uF 50V (DB1080: AEP, UK)	C1306	1-165-319-11	CERAMIC CHIP	0.1uF 50V
C1214	1-115-339-11	CERAMIC CHIP	0.1uF 10% 50V	C1307	1-165-319-11	CERAMIC CHIP	0.1uF 50V
C1222	1-163-012-00	CERAMIC CHIP	0.0018uF 5% 50V	C1308	1-165-319-11	CERAMIC CHIP	0.1uF 50V
C1223	1-163-257-11	CERAMIC CHIP	180PF 5% 50V	C1309	1-126-933-11	ELECT	100uF 20% 16V
C1224	1-126-965-11	ELECT	22uF 20% 50V (DA2ES)	C1310	1-126-933-11	ELECT	100uF 20% 16V (DB1080: AEP, UK)
C1224	1-128-858-11	ELECT	22uF 20% 50V (DB1080: E, SP, MY, KR)	C1311	1-165-319-11	CERAMIC CHIP	0.1uF 50V
C1224	1-135-744-11	ELECT	22uF 50V (DB1080: AEP, UK)	C1401	1-163-021-11	CERAMIC CHIP	0.01uF 10% 50V
C1232	1-163-012-00	CERAMIC CHIP	0.0018uF 5% 50V	C1402	1-165-319-11	CERAMIC CHIP	0.1uF 50V
C1233	1-163-257-11	CERAMIC CHIP	180PF 5% 50V	C1403	1-165-319-11	CERAMIC CHIP	0.1uF 50V
C1234	1-126-965-11	ELECT	22uF 20% 50V (DA2ES)	C1404	1-165-319-11	CERAMIC CHIP	0.1uF 50V
C1234	1-128-858-11	ELECT	22uF 20% 50V (DB1080: E, SP, MY, KR)	C1405	1-165-319-11	CERAMIC CHIP	0.1uF 50V
C1234	1-135-744-11	ELECT	22uF 50V (DB1080: AEP, UK)	C1406	1-126-967-11	ELECT	47uF 20% 50V (DA2ES)
C1242	1-163-012-00	CERAMIC CHIP	0.0018uF 5% 50V	C1406	1-128-860-11	ELECT	47uF 20% 50V (DB1080: E, SP, MY, KR)
C1243	1-163-257-11	CERAMIC CHIP	180PF 5% 50V	C1406	1-135-746-11	ELECT	47uF 50V (DB1080: AEP, UK)
C1244	1-126-965-11	ELECT	22uF 20% 50V (DA2ES)	C1409	1-165-319-11	CERAMIC CHIP	0.1uF 50V
C1244	1-128-858-11	ELECT	22uF 20% 50V (DB1080: E, SP, MY, KR)	C1410	1-126-916-11	ELECT	1000uF 20% 6.3V (DA2ES)
C1244	1-135-744-11	ELECT	22uF 50V (DB1080: AEP, UK)	C1410	1-135-656-11	ELECT	1000uF 6.3V (DB1080: AEP, UK)
C1252	1-163-012-00	CERAMIC CHIP	0.0018uF 5% 50V	C1410	1-137-658-11	ELECT	1000uF 20% 6.3V (DB1080: E, SP, MY, KR)
C1253	1-163-257-11	CERAMIC CHIP	180PF 5% 50V	C1411	1-119-824-11	ELECT	10uF 20% 50V (DB1080: E, SP, MY, KR)
C1254	1-126-965-11	ELECT	22uF 20% 50V (DA2ES)	C1411	1-126-964-11	ELECT	10uF 20% 50V (DA2ES)
C1254	1-128-858-11	ELECT	22uF 20% 50V (DB1080: E, SP, MY, KR)	C1411	1-135-743-11	ELECT	10uF 50V (DB1080: AEP, UK)
C1254	1-135-744-11	ELECT	22uF 50V (DB1080: AEP, UK)	C1412	1-104-760-11	CERAMIC CHIP	0.047uF 10% 50V
C1262	1-163-012-00	CERAMIC CHIP	0.0018uF 5% 50V	C1413	1-165-319-11	CERAMIC CHIP	0.1uF 50V
C1263	1-163-257-11	CERAMIC CHIP	180PF 5% 50V	C1414	1-165-319-11	CERAMIC CHIP	0.1uF 50V
C1264	1-126-965-11	ELECT	22uF 20% 50V (DA2ES)	C1415	1-164-505-11	CERAMIC CHIP	2.2uF 16V
C1264	1-128-858-11	ELECT	22uF 20% 50V (DB1080: E, SP, MY, KR)	C1416	1-163-021-11	CERAMIC CHIP	0.01uF 10% 50V
				C1417	1-165-319-11	CERAMIC CHIP	0.1uF 50V
				C1418	1-126-933-11	ELECT	100uF 20% 16V (DA2ES)

STR-DA2ES/DB1080

DIGITAL

Ref. No.	Part No.	Description	Remark	Ref. No.	Part No.	Description	Remark
C1418	1-127-718-11	ELECT	100uF 20% 16V (DB1080: E, SP, MY, KR)	C1519	1-165-319-11	CERAMIC CHIP	0.1uF 50V
C1418	1-135-709-11	ELECT	100uF 16V (DB1080: AEP, UK)	C1520	1-163-235-11	CERAMIC CHIP	22PF 5% 50V
C1419	1-165-319-11	CERAMIC CHIP	0.1uF 50V	C1521	1-163-233-11	CERAMIC CHIP	18PF 5% 50V
C1420	1-163-021-11	CERAMIC CHIP	0.01uF 10% 50V	C1601	1-165-319-11	CERAMIC CHIP	0.1uF 50V
C1421	1-165-319-11	CERAMIC CHIP	0.1uF 50V	C1602	1-165-319-11	CERAMIC CHIP	0.1uF 50V
C1422	1-165-319-11	CERAMIC CHIP	0.1uF 50V	C1603	1-165-319-11	CERAMIC CHIP	0.1uF 50V
C1423	1-165-319-11	CERAMIC CHIP	0.1uF 50V	C1604	1-165-319-11	CERAMIC CHIP	0.1uF 50V
C1424	1-165-319-11	CERAMIC CHIP	0.1uF 50V	C1605	1-165-319-11	CERAMIC CHIP	0.1uF 50V
C1425	1-163-251-11	CERAMIC CHIP	100PF 5% 50V	C1606	1-165-319-11	CERAMIC CHIP	0.1uF 50V
C1426	1-126-947-11	ELECT	47uF 20% 16V (DA2ES)	C1607	1-165-319-11	CERAMIC CHIP	0.1uF 50V
C1426	1-128-840-11	ELECT	47uF 20% 16V (DB1080: E, SP, MY, KR)	C1608	1-165-319-11	CERAMIC CHIP	0.1uF 50V
C1426	1-135-708-11	ELECT	47uF 16V (DB1080: AEP, UK)	C1609	1-165-319-11	CERAMIC CHIP	0.1uF 50V
C1427	1-165-319-11	CERAMIC CHIP	0.1uF 50V	C1610	1-165-319-11	CERAMIC CHIP	0.1uF 50V
C1428	1-165-319-11	CERAMIC CHIP	0.1uF 50V	C1611	1-165-319-11	CERAMIC CHIP	0.1uF 50V
C1429	1-163-231-11	CERAMIC CHIP	15PF 5% 50V	C1612	1-165-319-11	CERAMIC CHIP	0.1uF 50V
C1430	1-163-229-11	CERAMIC CHIP	12PF 5% 50V	C1613	1-126-924-11	ELECT	330uF 20% 10V (DA2ES)
C1431	1-104-661-11	ELECT	330uF 20% 16V (DA2ES)	C1613	1-128-833-11	ELECT	330uF 10V (DB1080)
C1431	1-128-846-11	ELECT	330uF 20% 16V (DB1080: E, SP, MY, KR)	C1614	1-165-319-11	CERAMIC CHIP	0.1uF 50V
C1431	1-135-724-11	ELECT	330uF 16V (DB1080: AEP, UK)	C1615	1-165-319-11	CERAMIC CHIP	0.1uF 50V
C1432	1-165-319-11	CERAMIC CHIP	0.1uF 50V	C1616	1-165-319-11	CERAMIC CHIP	0.1uF 50V
C1434	1-163-133-00	CERAMIC CHIP	470PF 5% 50V	C1617	1-126-935-11	ELECT	470uF 20% 16V (DA2ES)
C1435	1-119-822-11	ELECT	3.3uF 20% 50V (DB1080: E, SP, MY, KR)	C1617	1-127-720-11	ELECT	470uF 20% 16V (DB1080: E, SP, MY, KR)
C1435	1-126-962-11	ELECT	3.3uF 20% 50V (DA2ES)	C1617	1-135-711-11	ELECT	470uF 16V (DB1080: AEP, UK)
C1435	1-135-741-11	ELECT	3.3uF 50V (DB1080: AEP, UK)	C1618	1-165-319-11	CERAMIC CHIP	0.1uF 50V
C1436	1-126-947-11	ELECT	47uF 20% 16V	C1619	1-165-319-11	CERAMIC CHIP	0.1uF 50V
C1501	1-165-319-11	CERAMIC CHIP	0.1uF 50V	C1701	1-165-319-11	CERAMIC CHIP	0.1uF 50V
C1502	1-165-319-11	CERAMIC CHIP	0.1uF 50V	C1702	1-163-125-00	CERAMIC CHIP	220PF 5% 50V
C1503	1-165-319-11	CERAMIC CHIP	0.1uF 50V	C1703	1-163-021-11	CERAMIC CHIP	0.01uF 10% 50V
C1504	1-165-319-11	CERAMIC CHIP	0.1uF 50V	C1705	1-165-319-11	CERAMIC CHIP	0.1uF 50V
C1505	1-165-319-11	CERAMIC CHIP	0.1uF 50V	C1706	1-165-319-11	CERAMIC CHIP	0.1uF 50V
C1506	1-165-319-11	CERAMIC CHIP	0.1uF 50V	C1707	1-165-319-11	CERAMIC CHIP	0.1uF 50V
C1507	1-165-319-11	CERAMIC CHIP	0.1uF 50V	C1708	1-165-319-11	CERAMIC CHIP	0.1uF 50V
C1510	1-165-319-11	CERAMIC CHIP	0.1uF 50V	C1709	1-165-319-11	CERAMIC CHIP	0.1uF 50V
C1511	1-165-319-11	CERAMIC CHIP	0.1uF 50V	C1710	1-165-319-11	CERAMIC CHIP	0.1uF 50V
C1512	1-165-319-11	CERAMIC CHIP	0.1uF 50V	C1711	1-165-319-11	CERAMIC CHIP	0.1uF 50V
C1513	1-126-924-11	ELECT	330uF 20% 10V (DA2ES)	C1712	1-165-319-11	CERAMIC CHIP	0.1uF 50V
C1513	1-128-833-11	ELECT	330uF 10V (DB1080)	C1713	1-126-947-11	ELECT	47uF 20% 16V
C1514	1-165-319-11	CERAMIC CHIP	0.1uF 50V	C1714	1-165-319-11	CERAMIC CHIP	0.1uF 50V
C1515	1-165-319-11	CERAMIC CHIP	0.1uF 50V	C1715	1-165-319-11	CERAMIC CHIP	0.1uF 50V
C1516	1-126-935-11	ELECT	470uF 20% 16V (DA2ES)	C1716	1-165-319-11	CERAMIC CHIP	0.1uF 50V
C1516	1-127-720-11	ELECT	470uF 20% 16V (DB1080: E, SP, MY, KR)	C1717	1-165-319-11	CERAMIC CHIP	0.1uF 50V
C1516	1-135-711-11	ELECT	470uF 16V (DB1080: AEP, UK)	C1718	1-165-319-11	CERAMIC CHIP	0.1uF 50V
C1517	1-165-319-11	CERAMIC CHIP	0.1uF 50V	C1719	1-165-319-11	CERAMIC CHIP	0.1uF 50V
C1518	1-165-319-11	CERAMIC CHIP	0.1uF 50V	C1720	1-163-021-11	CERAMIC CHIP	0.01uF 10% 50V
				C1721	1-165-319-11	CERAMIC CHIP	0.1uF 50V
				C1722	1-165-319-11	CERAMIC CHIP	0.1uF 50V
				C1723	1-165-319-11	CERAMIC CHIP	0.1uF 50V
				C1724	1-165-319-11	CERAMIC CHIP	0.1uF 50V
				C1725	1-165-319-11	CERAMIC CHIP	0.1uF 50V
				C1726	1-165-319-11	CERAMIC CHIP	0.1uF 50V
				C1727	1-165-319-11	CERAMIC CHIP	0.1uF 50V
				C1728	1-165-319-11	CERAMIC CHIP	0.1uF 50V
				C1801	1-126-935-11	ELECT	470uF 20% 16V

Ref. No.	Part No.	Description	Remark	Ref. No.	Part No.	Description	Remark
C1802	1-126-935-11	ELECT	470uF 20% 16V (DA2ES)	CN1105	1-569-060-11	SOCKET, CONNECTOR 11P (EXCEPT DB1080: AEP, UK)	
C1802	1-127-720-11	ELECT	470uF 20% 16V (DB1080: E, SP, MY, KR)	CN1105	1-569-321-11	SOCKET, CONNECTOR 15P (DB1080: AEP, UK)	
C1802	1-135-711-11	ELECT	470uF 16V (DB1080: AEP, UK)	CN1106	1-784-924-11	PIN, CONNECTOR 8P	
C1803	1-163-251-11	CERAMIC CHIP	100PF 5% 50V	CN1107	1-784-923-11	PIN, CONNECTOR 7P	
C1804	1-163-251-11	CERAMIC CHIP	100PF 5% 50V	CN1108	1-691-765-11	PLUG (MICRO CONNECTOR) 3P	
C1805	1-163-251-11	CERAMIC CHIP	100PF 5% 50V	CN1109	1-564-506-21	PLUG, CONNECTOR 3P	
C1807	1-126-935-11	ELECT	470uF 20% 16V	CN1110	1-779-978-11	PIN, CONNECTOR 3P	
C1808	1-126-935-11	ELECT	470uF 20% 16V	< DIODE >			
C1809	1-126-935-11	ELECT	470uF 20% 16V (DA2ES)	D1401	8-719-988-61	DIODE 1SS355TE-17	
C1809	1-127-720-11	ELECT	470uF 20% 16V (DB1080: E, SP, MY, KR)	D1402	8-719-988-61	DIODE 1SS355TE-17	
C1809	1-135-711-11	ELECT	470uF 16V (DB1080: AEP, UK)	D1403	8-719-988-61	DIODE 1SS355TE-17	
C1810	1-163-251-11	CERAMIC CHIP	100PF 5% 50V	D1701	8-719-988-61	DIODE 1SS355TE-17	
C1811	1-126-767-11	ELECT	1000uF 20% 16V (DA2ES)	D1702	8-719-988-61	DIODE 1SS355TE-17	
C1811	1-135-712-51	ELECT	1000uF 63V (DB1080: AEP, UK)	D1703	8-719-801-78	DIODE 1SS184	
C1811	1-135-835-11	ELECT	1000uF 16V (DB1080: E, SP, MY, KR)	D1802	8-719-988-61	DIODE 1SS355TE-17	
C1812	1-126-918-51	ELECT	4700uF 20% 6.3V (DA2ES)	D1803	8-719-053-18	DIODE 1SR154-400TE-25	
C1812	1-137-661-11	ELECT	4700uF 20% 6.3V (DB1080: E, SP, MY, KR)	< TERMINAL >			
C1812	1-137-661-51	ELECT	4700uF 6.3V (DB1080: AEP, UK)	* EB1801	1-537-738-21	TERMINAL, EARTH	
C1814	1-163-251-11	CERAMIC CHIP	100PF 5% 50V	< FERRITE BEAD/SHORT >			
C1815	1-126-767-11	ELECT	1000uF 20% 16V (DA2ES)	FB1102	1-469-152-11	FERRITE 0uH	
C1815	1-135-712-51	ELECT	1000uF 63V (DB1080: AEP, UK)	FB1201	1-469-152-11	FERRITE 0uH	
C1815	1-135-835-11	ELECT	1000uF 16V (DB1080: E, SP, MY, KR)	FB1202	1-469-152-11	FERRITE 0uH	
C1817	1-165-319-11	CERAMIC CHIP	0.1uF 50V	FB1302	1-469-152-11	FERRITE 0uH	
C1818	1-165-319-11	CERAMIC CHIP	0.1uF 50V	FB1401	1-469-152-11	FERRITE 0uH	
C1819	1-165-319-11	CERAMIC CHIP	0.1uF 50V	FB1402	1-216-295-11	SHORT CHIP 0	
C1820	1-165-319-11	CERAMIC CHIP	0.1uF 50V	FB1403	1-469-152-11	FERRITE 0uH	
C1824	1-163-251-11	CERAMIC CHIP	100PF 5% 50V	FB1404	1-469-152-11	FERRITE 0uH	
C1825	1-163-251-11	CERAMIC CHIP	100PF 5% 50V	FB1405	1-469-139-21	FERRITE 0uH	
C1826	1-163-251-11	CERAMIC CHIP	100PF 5% 50V	FB1406	1-469-144-21	FERRITE 0uH	
C1827	1-163-251-11	CERAMIC CHIP	100PF 5% 50V	FB1407	1-469-144-21	FERRITE 0uH	
C1828	1-165-319-11	CERAMIC CHIP	0.1uF 50V	FB1408	1-469-152-11	FERRITE 0uH	
C1829	1-165-319-11	CERAMIC CHIP	0.1uF 50V	FB1501	1-216-295-11	SHORT CHIP 0	
C1830	1-126-935-11	ELECT	470uF 20% 16V (DA2ES)	FB1502	1-469-152-11	FERRITE 0uH	
C1831	1-163-251-11	CERAMIC CHIP	100PF 5% 50V (DA2ES)	FB1601	1-469-139-21	FERRITE 0uH	
C1832	1-165-319-11	CERAMIC CHIP	0.1uF 50V (DA2ES)	FB1602	1-216-295-11	SHORT CHIP 0	
< CONNECTOR >				FB1603	1-469-152-11	FERRITE 0uH	
CN1101	1-784-753-11	CONNECTOR, FFC 31P		FB1604	1-469-144-21	FERRITE 0uH	
CN1102	1-569-815-11	CONNECTOR, BOARD TO BOARD 21P		FB1703	1-469-152-11	FERRITE 0uH	
CN1103	1-569-815-11	CONNECTOR, BOARD TO BOARD 21P		FB1801	1-469-152-11	FERRITE 0uH	
CN1104	1-569-324-11	SOCKET, CONNECTOR 21P (DA2ES)		FB1802	1-469-152-11	FERRITE 0uH	
CN1104	1-569-321-11	SOCKET, CONNECTOR 15P (DB1080)		* FB1803	1-469-670-21	FERRITE 0uH	
				< IC >			
				IC1101	8-759-560-56	IC PCM1800E/2K	
				IC1102	8-759-636-55	IC M5218AFP	
				IC1201	8-759-825-12	IC PCM1604Y/2K	
				IC1202	8-759-825-13	IC PCM1748E/2K	
				IC1221	8-759-636-55	IC M5218AFP	
				IC1241	8-759-636-55	IC M5218AFP	
				IC1261	8-759-636-55	IC M5218AFP	
				IC1281	8-759-636-55	IC M5218AFP	
				IC1301	8-759-604-32	IC M5F7810L	
				IC1302	8-759-445-59	IC BA033T (DB1080: AEP, UK)	

DIGITAL

Ref. No.	Part No.	Description	Remark
IC1401	6-600-014-01	IC TORX141L (DIGITAL (ASSIGNABLE) DVD/LD OPTICAL IN)	
IC1402	6-600-014-01	IC TORX141L (DIGITAL (ASSIGNABLE) TV/SAT OPTICAL IN)	
IC1403	6-600-014-01	IC TORX141L (DIGITAL (ASSIGNABLE) MD/DAT OPTICAL IN)	
IC1404	6-600-012-11	IC TOTX141L (RED) (DIGITAL (ASSIGNABLE) MD/DAT OPTICAL OUT)	
IC1405	8-759-242-70	IC TC7WU04F	
IC1406	8-759-926-17	IC SN74HC153ANS	
IC1407	8-759-546-74	IC TC7WH157FU (TE12R)	
IC1408	8-759-825-15	IC LC89056W-E	
IC1409	8-759-447-77	IC TC7WH74FU (TE12R)	
IC1410	8-759-242-70	IC TC7WU04F	
IC1501	6-702-047-01	IC CXD9718Q	
IC1503	8-759-546-74	IC TC7WH157FU (TE12R)	
IC1601	6-702-092-01	IC CXD9616BR	
IC1602	8-759-538-16	IC IDT71V016S15PH-AUTL	
IC1701	8-759-641-86	IC BR24C16F-E2	
IC1702	6-702+913-01	IC S-80929CNMC-G8Z-T2	
IC1703	6-801-434-01	IC MB91154PFV-G-108-BNDE1	
IC1801	8-759-450-47	IC BA05T	
IC1802	8-759-445-59	IC BA033T	
IC1803	8-759-450-47	IC BA05T	
IC1804	8-759-445-59	IC BA033T	
IC1805	6-700-798-11	IC uPC2926T-1-E1	
IC1806	8-759-445-59	IC BA033T	
IC1807	8-759-231-53	IC TA7805S	
IC1808	8-759-231-53	IC TA7805S	
IC1809	8-759-604-86	IC M5F7807L (DA2ES)	
		< JACK >	
J1401	1-778-228-11	JACK, PIN 1P (DIGITAL (ASSIGNABLE) DVD/LD COAXIAL IN)	
		< SHORT >	
JW1001	1-211-950-11	SHORT CHIP	0
JW1002	1-216-296-11	SHORT CHIP	0
JW1003	1-216-296-11	SHORT CHIP	0
JW1004	1-216-296-11	SHORT CHIP	0
JW1005	1-216-296-11	SHORT CHIP	0
JW1006	1-216-296-11	SHORT CHIP	0
JW1007	1-216-295-11	SHORT CHIP	0
JW1008	1-216-296-11	SHORT CHIP	0
JW1009	1-211-950-11	SHORT CHIP	0
JW1010	1-216-295-11	SHORT CHIP	0
JW1011	1-216-296-11	SHORT CHIP	0
JW1101	1-216-295-11	SHORT CHIP	0(EXCEPT DB1080: AEP, UK)
JW1102	1-216-295-11	SHORT CHIP	0(EXCEPT DB1080: AEP, UK)
JW1103	1-216-295-11	SHORT CHIP	0(EXCEPT DB1080: AEP, UK)
JW1104	1-216-295-11	SHORT CHIP	0 (DB1080)
JW1105	1-216-295-11	SHORT CHIP	0 (DB1080)
JW1110	1-216-295-11	SHORT CHIP	0
JW1301	1-216-295-11	SHORT CHIP	0(EXCEPT DB1080: AEP, UK)
JW1813	1-216-295-11	SHORT CHIP	0

Ref. No.	Part No.	Description	Remark
		< TRANSISTOR >	
Q1403	8-729-027-43	TRANSISTOR	DTC114EKA-T146
Q1404	8-729-027-43	TRANSISTOR	DTC114EKA-T146
Q1701	8-729-230-49	TRANSISTOR	2SC2712-YG
Q1702	8-729-230-49	TRANSISTOR	2SC2712-YG
Q1703	8-729-027-43	TRANSISTOR	DTC114EKA-T146
Q1704	8-729-230-49	TRANSISTOR	2SC2712-YG
Q1705	8-729-230-49	TRANSISTOR	2SC2712-YG
Q1801	8-729-140-93	TRANSISTOR	2SB733-34
Q1802	8-729-027-43	TRANSISTOR	DTC114EKA-T146
Q1803	8-729-140-93	TRANSISTOR	2SB733-34
Q1804	8-729-027-43	TRANSISTOR	DTC114EKA-T146
Q1805	8-729-140-93	TRANSISTOR	2SB733-34 (DA2ES)
Q1806	8-729-027-43	TRANSISTOR	DTC114EKA-T146 (DA2ES)
Q1810	8-729-209-15	TRANSISTOR	2SD2012
Q1811	8-729-140-93	TRANSISTOR	2SB733-34
Q1812	8-729-027-43	TRANSISTOR	DTC114EKA-T146
		< RESISTOR >	
R1101	1-216-049-11	RES-CHIP	1K 5% 1/10W
R1102	1-216-057-00	METAL CHIP	2.2K 5% 1/10W
R1121	1-216-085-00	RES-CHIP	33K 5% 1/10W
R1122	1-216-085-00	RES-CHIP	33K 5% 1/10W
R1124	1-216-097-11	RES-CHIP	100K 5% 1/10W
R1131	1-216-085-00	RES-CHIP	33K 5% 1/10W
R1132	1-216-085-00	RES-CHIP	33K 5% 1/10W
R1134	1-216-097-11	RES-CHIP	100K 5% 1/10W
R1201	1-216-025-11	RES-CHIP	100 5% 1/10W
R1202	1-216-025-11	RES-CHIP	100 5% 1/10W
R1203	1-216-025-11	RES-CHIP	100 5% 1/10W
R1204	1-216-073-00	RES-CHIP	10K 5% 1/10W
R1205	1-216-025-11	RES-CHIP	100 5% 1/10W
R1206	1-216-025-11	RES-CHIP	100 5% 1/10W
R1212	1-216-025-11	RES-CHIP	100 5% 1/10W
R1220	1-216-071-00	METAL CHIP	8.2K 5% 1/10W (EXCEPT DB1080: AEP, UK)
R1220	1-216-673-11	METAL CHIP	8.2K 0.5% 1/10W (DB1080: AEP, UK)
R1221	1-216-053-00	METAL CHIP	1.5K 5% 1/10W (EXCEPT DB1080: AEP, UK)
R1221	1-216-655-11	METAL CHIP	1.5K 0.5% 1/10W (DB1080: AEP, UK)
R1222	1-208-518-41	RES-CHIP	22K 2% 1/10W (DB1080: AEP, UK)
R1222	1-216-081-00	METAL CHIP	22K 5% 1/10W (EXCEPT DB1080: AEP, UK)
R1223	1-216-033-00	METAL CHIP	220 5% 1/10W (EXCEPT DB1080: AEP, UK)
R1223	1-216-635-11	METAL CHIP	220 0.5% 1/10W (DB1080: AEP, UK)
R1224	1-216-097-11	RES-CHIP	100K 5% 1/10W (EXCEPT DB1080: AEP, UK)
R1224	1-216-699-11	METAL CHIP	100K 0.5% 1/10W (DB1080: AEP, UK)
R1230	1-216-071-00	METAL CHIP	8.2K 5% 1/10W (EXCEPT DB1080: AEP, UK)
R1230	1-216-673-11	METAL CHIP	8.2K 0.5% 1/10W (DB1080: AEP, UK)

DIGITAL

Ref. No.	Part No.	Description	Remark	Ref. No.	Part No.	Description	Remark
R1231	1-216-053-00	METAL CHIP	1.5K 5% 1/10W (EXCEPT DB1080: AEP, UK)	R1261	1-216-655-11	METAL CHIP	1.5K 0.5% 1/10W (DB1080: AEP, UK)
R1231	1-216-655-11	METAL CHIP	1.5K 0.5% 1/10W (DB1080: AEP, UK)	R1262	1-208-518-41	RES-CHIP	22K 2% 1/10W (DB1080: AEP, UK)
R1232	1-208-518-41	RES-CHIP	22K 2% 1/10W (DB1080: AEP, UK)	R1262	1-216-081-00	METAL CHIP	22K 5% 1/10W (EXCEPT DB1080: AEP, UK)
R1232	1-216-081-00	METAL CHIP	22K 5% 1/10W (EXCEPT DB1080: AEP, UK)	R1263	1-216-033-00	METAL CHIP	220 5% 1/10W (EXCEPT DB1080: AEP, UK)
R1233	1-216-033-00	METAL CHIP	220 5% 1/10W (EXCEPT DB1080: AEP, UK)	R1263	1-216-635-11	METAL CHIP	220 0.5% 1/10W (DB1080: AEP, UK)
R1233	1-216-635-11	METAL CHIP	220 0.5% 1/10W (DB1080: AEP, UK)	R1264	1-216-097-11	RES-CHIP	100K 5% 1/10W (EXCEPT DB1080: AEP, UK)
R1234	1-216-097-11	RES-CHIP	100K 5% 1/10W (EXCEPT DB1080: AEP, UK)	R1264	1-216-699-11	METAL CHIP	100K 0.5% 1/10W (DB1080: AEP, UK)
R1234	1-216-699-11	METAL CHIP	100K 0.5% 1/10W (DB1080: AEP, UK)	R1270	1-216-071-00	METAL CHIP	8.2K 5% 1/10W (EXCEPT DB1080: AEP, UK)
R1240	1-216-071-00	METAL CHIP	8.2K 5% 1/10W (EXCEPT DB1080: AEP, UK)	R1270	1-216-673-11	METAL CHIP	8.2K 0.5% 1/10W (DB1080: AEP, UK)
R1240	1-216-673-11	METAL CHIP	8.2K 0.5% 1/10W (DB1080: AEP, UK)	R1271	1-216-053-00	METAL CHIP	1.5K 5% 1/10W (EXCEPT DB1080: AEP, UK)
R1241	1-216-053-00	METAL CHIP	1.5K 5% 1/10W (EXCEPT DB1080: AEP, UK)	R1271	1-216-655-11	METAL CHIP	1.5K 0.5% 1/10W (DB1080: AEP, UK)
R1241	1-216-655-11	METAL CHIP	1.5K 0.5% 1/10W (DB1080: AEP, UK)	R1272	1-208-518-41	RES-CHIP	22K 2% 1/10W (DB1080: AEP, UK)
R1242	1-208-518-41	RES-CHIP	22K 2% 1/10W (DB1080: AEP, UK)	R1272	1-216-081-00	METAL CHIP	22K 5% 1/10W (EXCEPT DB1080: AEP, UK)
R1242	1-216-081-00	METAL CHIP	22K 5% 1/10W (EXCEPT DB1080: AEP, UK)	R1273	1-216-033-00	METAL CHIP	220 5% 1/10W (EXCEPT DB1080: AEP, UK)
R1243	1-216-033-00	METAL CHIP	220 5% 1/10W (EXCEPT DB1080: AEP, UK)	R1273	1-216-635-11	METAL CHIP	220 0.5% 1/10W (DB1080: AEP, UK)
R1243	1-216-635-11	METAL CHIP	220 0.5% 1/10W (DB1080: AEP, UK)	R1274	1-216-097-11	RES-CHIP	100K 5% 1/10W (EXCEPT DB1080: AEP, UK)
R1244	1-216-097-11	RES-CHIP	100K 5% 1/10W (EXCEPT DB1080: AEP, UK)	R1274	1-216-699-11	METAL CHIP	100K 0.5% 1/10W (DB1080: AEP, UK)
R1244	1-216-699-11	METAL CHIP	100K 0.5% 1/10W (DB1080: AEP, UK)	R1280	1-216-071-00	METAL CHIP	8.2K 5% 1/10W (EXCEPT DB1080: AEP, UK)
R1250	1-216-071-00	METAL CHIP	8.2K 5% 1/10W (EXCEPT DB1080: AEP, UK)	R1280	1-216-673-11	METAL CHIP	8.2K 0.5% 1/10W (DB1080: AEP, UK)
R1250	1-216-673-11	METAL CHIP	8.2K 0.5% 1/10W (DB1080: AEP, UK)	R1281	1-216-053-00	METAL CHIP	1.5K 5% 1/10W (EXCEPT DB1080: AEP, UK)
R1251	1-216-053-00	METAL CHIP	1.5K 5% 1/10W (EXCEPT DB1080: AEP, UK)	R1281	1-216-655-11	METAL CHIP	1.5K 0.5% 1/10W (DB1080: AEP, UK)
R1251	1-216-655-11	METAL CHIP	1.5K 0.5% 1/10W (DB1080: AEP, UK)	R1282	1-208-518-41	RES-CHIP	22K 2% 1/10W (DB1080: AEP, UK)
R1252	1-208-518-41	RES-CHIP	22K 2% 1/10W (DB1080: AEP, UK)	R1282	1-216-081-00	METAL CHIP	22K 5% 1/10W (EXCEPT DB1080: AEP, UK)
R1252	1-216-081-00	METAL CHIP	22K 5% 1/10W (EXCEPT DB1080: AEP, UK)	R1283	1-216-033-00	METAL CHIP	220 5% 1/10W (EXCEPT DB1080: AEP, UK)
R1253	1-216-033-00	METAL CHIP	220 5% 1/10W (EXCEPT DB1080: AEP, UK)	R1283	1-216-635-11	METAL CHIP	220 0.5% 1/10W (DB1080: AEP, UK)
R1253	1-216-635-11	METAL CHIP	220 0.5% 1/10W (DB1080: AEP, UK)	R1284	1-216-097-11	RES-CHIP	100K 5% 1/10W (EXCEPT DB1080: AEP, UK)
R1254	1-216-097-11	RES-CHIP	100K 5% 1/10W (EXCEPT DB1080: AEP, UK)	R1284	1-216-699-11	METAL CHIP	100K 0.5% 1/10W (DB1080: AEP, UK)
R1254	1-216-699-11	METAL CHIP	100K 0.5% 1/10W (DB1080: AEP, UK)	R1301	1-216-298-00	METAL CHIP	2.2 5% 1/10W
R1260	1-216-071-00	METAL CHIP	8.2K 5% 1/10W (EXCEPT DB1080: AEP, UK)	R1303	1-216-089-11	RES-CHIP	47K 5% 1/10W
R1260	1-216-673-11	METAL CHIP	8.2K 0.5% 1/10W (DB1080: AEP, UK)	R1304	1-216-089-11	RES-CHIP	47K 5% 1/10W
R1261	1-216-053-00	METAL CHIP	1.5K 5% 1/10W (EXCEPT DB1080: AEP, UK)	R1308	1-216-025-11	RES-CHIP	100 5% 1/10W (DB1080: AEP, UK)
				R1401	1-216-022-00	METAL CHIP	75 5% 1/10W
				R1402	1-216-295-11	SHORT CHIP	0
				R1403	1-216-041-00	METAL CHIP	470 5% 1/10W

STR-DA2ES/DB1080

DIGITAL

Ref. No.	Part No.	Description	Quantity	Unit	Remark
R1404	1-216-113-00	METAL CHIP	470K	5%	1/10W
R1405	1-216-295-11	SHORT CHIP	0		
R1406	1-216-295-11	SHORT CHIP	0		
R1407	1-216-295-11	SHORT CHIP	0		
R1408	1-216-295-11	SHORT CHIP	0		
R1409	1-216-089-11	RES-CHIP	47K	5%	1/10W
R1410	1-216-089-11	RES-CHIP	47K	5%	1/10W
R1411	1-216-304-11	METAL CHIP	3.3	5%	1/10W
R1412	1-216-067-00	METAL CHIP	5.6K	5%	1/10W
R1413	1-216-069-00	METAL CHIP	6.8K	5%	1/10W
R1418	1-216-025-11	RES-CHIP	100	5%	1/10W
R1419	1-216-073-00	RES-CHIP	10K	5%	1/10W
R1420	1-216-073-00	RES-CHIP	10K	5%	1/10W
R1421	1-216-025-11	RES-CHIP	100	5%	1/10W
R1422	1-216-025-11	RES-CHIP	100	5%	1/10W
R1423	1-216-049-11	RES-CHIP	1K	5%	1/10W
R1424	1-216-121-11	RES-CHIP	1M	5%	1/10W
R1425	1-216-049-11	RES-CHIP	1K	5%	1/10W
R1426	1-216-025-11	RES-CHIP	100	5%	1/10W
R1427	1-216-089-11	RES-CHIP	47K	5%	1/10W
R1428	1-216-065-00	RES-CHIP	4.7K	5%	1/10W
R1429	1-216-295-11	SHORT CHIP	0		
R1430	1-216-025-11	RES-CHIP	100	5%	1/10W
R1431	1-216-121-11	RES-CHIP	1M	5%	1/10W
R1432	1-216-025-11	RES-CHIP	100	5%	1/10W
R1433	1-216-029-00	METAL CHIP	150	5%	1/10W
R1434	1-216-025-11	RES-CHIP	100	5%	1/10W
R1435	1-216-025-11	RES-CHIP	100	5%	1/10W
R1436	1-216-025-11	RES-CHIP	100	5%	1/10W
R1437	1-216-033-00	METAL CHIP	220	5%	1/10W
R1438	1-216-097-11	RES-CHIP	100K	5%	1/10W
R1439	1-216-073-00	RES-CHIP	10K	5%	1/10W
R1501	1-216-025-11	RES-CHIP	100	5%	1/10W
R1502	1-216-025-11	RES-CHIP	100	5%	1/10W
R1503	1-216-025-11	RES-CHIP	100	5%	1/10W
R1504	1-216-025-11	RES-CHIP	100	5%	1/10W
R1505	1-216-025-11	RES-CHIP	100	5%	1/10W
R1506	1-216-025-11	RES-CHIP	100	5%	1/10W
R1507	1-216-025-11	RES-CHIP	100	5%	1/10W
R1508	1-216-049-11	RES-CHIP	1K	5%	1/10W
R1509	1-216-295-11	SHORT CHIP	0		
R1510	1-216-025-11	RES-CHIP	100	5%	1/10W
R1511	1-216-025-11	RES-CHIP	100	5%	1/10W
R1512	1-216-025-11	RES-CHIP	100	5%	1/10W
R1515	1-216-049-11	RES-CHIP	1K	5%	1/10W
R1602	1-216-025-11	RES-CHIP	100	5%	1/10W
R1603	1-216-049-11	RES-CHIP	1K	5%	1/10W
R1605	1-216-025-11	RES-CHIP	100	5%	1/10W
R1606	1-216-065-00	RES-CHIP	4.7K	5%	1/10W
R1607	1-216-025-11	RES-CHIP	100	5%	1/10W
R1608	1-216-295-11	SHORT CHIP	0		
R1610	1-216-025-11	RES-CHIP	100	5%	1/10W
R1611	1-216-025-11	RES-CHIP	100	5%	1/10W
R1612	1-216-033-00	METAL CHIP	220	5%	1/10W
R1650	1-216-025-11	RES-CHIP	100	5%	1/10W
R1651	1-216-025-11	RES-CHIP	100	5%	1/10W
R1653	1-216-025-11	RES-CHIP	100	5%	1/10W
R1654	1-216-025-11	RES-CHIP	100	5%	1/10W

Ref. No.	Part No.	Description	Quantity	Unit	Remark
R1655	1-216-025-11	RES-CHIP	100	5%	1/10W
R1656	1-216-025-11	RES-CHIP	100	5%	1/10W
R1657	1-216-025-11	RES-CHIP	100	5%	1/10W
R1666	1-216-025-11	RES-CHIP	100	5%	1/10W
R1667	1-216-295-11	SHORT CHIP	0		
R1701	1-216-073-00	RES-CHIP	10K	5%	1/10W
R1702	1-216-073-00	RES-CHIP	10K	5%	1/10W
R1703	1-216-001-00	METAL CHIP	10	5%	1/10W
R1704	1-216-073-00	RES-CHIP	10K	5%	1/10W
R1705	1-216-025-11	RES-CHIP	100	5%	1/10W
R1706	1-216-073-00	RES-CHIP	10K	5%	1/10W
R1707	1-216-065-00	RES-CHIP	4.7K	5%	1/10W
R1708	1-216-025-11	RES-CHIP	100	5%	1/10W
R1709	1-216-025-11	RES-CHIP	100	5%	1/10W
R1710	1-216-025-11	RES-CHIP	100	5%	1/10W
R1711	1-216-025-11	RES-CHIP	100	5%	1/10W
R1712	1-216-025-11	RES-CHIP	100	5%	1/10W
R1713	1-216-025-11	RES-CHIP	100	5%	1/10W
R1714	1-216-025-11	RES-CHIP	100	5%	1/10W
R1715	1-216-025-11	RES-CHIP	100	5%	1/10W
R1716	1-216-025-11	RES-CHIP	100	5%	1/10W
R1718	1-216-025-11	RES-CHIP	100	5%	1/10W
R1719	1-216-025-11	RES-CHIP	100	5%	1/10W
R1720	1-216-025-11	RES-CHIP	100	5%	1/10W
R1721	1-216-061-00	RES-CHIP	3.3K	5%	1/10W
R1722	1-216-025-11	RES-CHIP	100	5%	1/10W
R1723	1-216-025-11	RES-CHIP	100	5%	1/10W
R1724	1-216-025-11	RES-CHIP	100	5%	1/10W
R1725	1-216-025-11	RES-CHIP	100	5%	1/10W
R1726	1-216-025-11	RES-CHIP	100	5%	1/10W
R1727	1-216-053-00	METAL CHIP	1.5K	5%	1/10W
R1730	1-216-025-11	RES-CHIP	100	5%	1/10W
R1731	1-216-025-11	RES-CHIP	100	5%	1/10W
R1732	1-216-025-11	RES-CHIP	100	5%	1/10W
R1733	1-216-025-11	RES-CHIP	100	5%	1/10W
R1734	1-216-073-00	RES-CHIP	10K	5%	1/10W
R1735	1-216-073-00	RES-CHIP	10K	5%	1/10W
R1736	1-216-097-11	RES-CHIP	100K	5%	1/10W
R1737	1-216-097-11	RES-CHIP	100K	5%	1/10W
R1738	1-216-097-11	RES-CHIP	100K	5%	1/10W
R1739	1-216-025-11	RES-CHIP	100	5%	1/10W
R1740	1-216-025-11	RES-CHIP	100	5%	1/10W
R1741	1-216-073-00	RES-CHIP	10K	5%	1/10W
R1742	1-216-033-00	METAL CHIP	220	5%	1/10W
R1743	1-216-025-11	RES-CHIP	100	5%	1/10W
R1744	1-216-025-11	RES-CHIP	100	5%	1/10W
R1745	1-216-025-11	RES-CHIP	100	5%	1/10W
R1746	1-216-025-11	RES-CHIP	100	5%	1/10W
R1747	1-216-025-11	RES-CHIP	100	5%	1/10W
R1748	1-216-025-11	RES-CHIP	100	5%	1/10W
R1749	1-216-025-11	RES-CHIP	100	5%	1/10W
R1750	1-216-025-11	RES-CHIP	100	5%	1/10W
R1751	1-216-073-00	RES-CHIP	10K	5%	1/10W
R1752	1-216-073-00	RES-CHIP	10K	5%	1/10W
R1753	1-216-073-00	RES-CHIP	10K	5%	1/10W

DIGITAL

DISPLAY

Ref. No.	Part No.	Description	Remark	Ref. No.	Part No.	Description	Remark
R1754	1-216-073-00	RES-CHIP	10K 5% 1/10W	R1805	1-216-045-00	METAL CHIP	680 5% 1/10W
R1755	1-216-025-11	RES-CHIP	100 5% 1/10W	R1806	1-216-073-00	RES-CHIP	10K 5% 1/10W
R1757	1-216-295-11	SHORT CHIP	0	R1809	1-216-073-00	RES-CHIP	10K 5% 1/10W
R1758	1-216-073-00	RES-CHIP	10K 5% 1/10W	R1810	1-216-073-00	RES-CHIP	10K 5% 1/10W
R1759	1-216-057-00	METAL CHIP	2.2K 5% 1/10W (DB1080: E)	R1811	1-216-295-11	SHORT CHIP	0 (DB1080)
R1759	1-216-073-00	RES-CHIP	10K 5% 1/10W (DB1080: SP, MY)	R1812	1-216-295-11	SHORT CHIP	0
R1759	1-216-081-00	METAL CHIP	22K 5% 1/10W (DB1080: KR)	R1813	1-216-033-00	METAL CHIP	220 5% 1/10W (DB1080: AEP, UK)
R1759	1-216-295-11	SHORT CHIP	0 (DB1080: AEP, UK)	R1814	1-216-295-11	SHORT CHIP	0
R1760	1-216-073-00	RES-CHIP	10K 5% 1/10W	R1815	1-216-025-11	RES-CHIP	100 5% 1/10W
R1761	1-216-073-00	RES-CHIP	10K 5% 1/10W	R1816	1-216-073-00	RES-CHIP	10K 5% 1/10W
R1762	1-216-073-00	RES-CHIP	10K 5% 1/10W	R1817	1-216-025-11	RES-CHIP	100 5% 1/10W
R1763	1-216-073-00	RES-CHIP	10K 5% 1/10W	R1819	1-216-025-11	RES-CHIP	100 5% 1/10W
R1764	1-216-073-00	RES-CHIP	10K 5% 1/10W	R1820	1-216-025-11	RES-CHIP	100 5% 1/10W
R1765	1-216-049-11	RES-CHIP	1K 5% 1/10W	R1822	1-216-025-11	RES-CHIP	100 5% 1/10W
R1766	1-216-025-11	RES-CHIP	100 5% 1/10W	R1823	1-216-025-11	RES-CHIP	100 5% 1/10W
R1767	1-216-049-11	RES-CHIP	1K 5% 1/10W (DB1080: AEP, UK)	R1824	1-216-025-11	RES-CHIP	100 5% 1/10W
R1768	1-216-025-11	RES-CHIP	100 5% 1/10W	R1825	1-216-025-11	RES-CHIP	100 5% 1/10W
R1769	1-216-077-00	RES-CHIP	15K 5% 1/10W (EXCEPT DA2ES/DB1080: KR)	R1826	1-216-073-00	RES-CHIP	10K 5% 1/10W
R1770	1-216-081-00	METAL CHIP	22K 5% 1/10W	R1827	1-216-025-11	RES-CHIP	100 5% 1/10W
R1771	1-216-073-00	RES-CHIP	10K 5% 1/10W	R1828	1-216-025-11	RES-CHIP	100 5% 1/10W
R1772	1-216-033-00	METAL CHIP	220 5% 1/10W	R1829	1-216-073-00	RES-CHIP	10K 5% 1/10W (DA2ES)
R1773	1-216-025-11	RES-CHIP	100 5% 1/10W	R1830	1-216-045-00	METAL CHIP	680 5% 1/10W (DA2ES)
R1774	1-216-033-00	METAL CHIP	220 5% 1/10W	R1831	1-216-073-00	RES-CHIP	10K 5% 1/10W
R1775	1-216-025-11	RES-CHIP	100 5% 1/10W			< VIBRATOR >	
R1776	1-216-025-11	RES-CHIP	100 5% 1/10W	X1401	1-795-219-21	VIBRATOR, CRYSTAL (24.576MHz)	
R1777	1-216-025-11	RES-CHIP	100 5% 1/10W	X1501	1-795-711-11	VIBRATOR, CRYSTAL (12.886MHz)	
R1778	1-216-033-00	METAL CHIP	220 5% 1/10W	X1601	1-795-264-21	VIBRATOR, CERAMIC (13.5MHz)	
R1779	1-216-025-11	RES-CHIP	100 5% 1/10W	X1701	1-795-179-21	VIBRATOR, CERAMIC (16.5MHz)	
R1780	1-216-025-11	RES-CHIP	100 5% 1/10W			*****	
R1781	1-216-073-00	RES-CHIP	10K 5% 1/10W		A-4728-472-A	DISPLAY BOARD, COMPLETE	*****
R1782	1-216-073-00	RES-CHIP	10K 5% 1/10W				
R1783	1-216-073-00	RES-CHIP	10K 5% 1/10W	*	4-921-941-01	CUSHION (FL)	
R1784	1-216-073-00	RES-CHIP	10K 5% 1/10W	*	4-990-797-01	HOLDER (FL)	
R1785	1-216-073-00	RES-CHIP	10K 5% 1/10W			< CAPACITOR >	
R1786	1-216-073-00	RES-CHIP	10K 5% 1/10W				
R1787	1-216-049-11	RES-CHIP	1K 5% 1/10W	C1001	1-126-967-11	ELECT	47uF 20% 50V
R1788	1-216-049-11	RES-CHIP	1K 5% 1/10W	C1002	1-127-888-11	CERAMIC	0.1uF 10% 50V
R1789	1-216-049-11	RES-CHIP	1K 5% 1/10W	C1003	1-127-888-11	CERAMIC	0.1uF 10% 50V
R1790	1-216-049-11	RES-CHIP	1K 5% 1/10W	C1004	1-128-809-11	CERAMIC	100PF 5% 50V
R1791	1-216-049-11	RES-CHIP	1K 5% 1/10W	C1005	1-128-821-11	CERAMIC	1000PF 5% 50V
R1792	1-216-049-11	RES-CHIP	1K 5% 1/10W	C1006	1-127-876-11	CERAMIC	0.01uF 10% 50V
R1793	1-216-049-11	RES-CHIP	1K 5% 1/10W	C1007	1-127-888-11	CERAMIC	0.1uF 10% 50V
R1794	1-216-049-11	RES-CHIP	1K 5% 1/10W	C1016	1-127-888-11	CERAMIC	0.1uF 10% 50V
R1795	1-216-073-00	RES-CHIP	10K 5% 1/10W	C1020	1-128-813-11	CERAMIC	220PF 5% 50V
R1796	1-216-073-00	RES-CHIP	10K 5% 1/10W	C1021	1-128-813-11	CERAMIC	220PF 5% 50V
R1797	1-216-073-00	RES-CHIP	10K 5% 1/10W	C1022	1-128-813-11	CERAMIC	220PF 5% 50V
R1798	1-216-073-00	RES-CHIP	10K 5% 1/10W	C1028	1-127-888-11	CERAMIC	0.1uF 10% 50V
R1799	1-216-073-00	RES-CHIP	10K 5% 1/10W			< CONNECTOR >	
R1800	1-216-025-11	RES-CHIP	100 5% 1/10W				
R1801	1-216-045-00	METAL CHIP	680 5% 1/10W	CN1001	1-784-792-11	CONNECTOR, FFC 31P	
R1802	1-216-073-00	RES-CHIP	10K 5% 1/10W	CN1002	1-770-553-11	CONNECTOR, BOARD TO BOARD 11P	
R1803	1-216-045-00	METAL CHIP	680 5% 1/10W	*	CN1003	1-568-056-11	PIN, BOARD TO BOARD 8P
R1804	1-216-073-00	RES-CHIP	10K 5% 1/10W		CN1004	1-770-553-11	CONNECTOR, BOARD TO BOARD 11P

STR-DA2ES/DB1080

DISPLAY **H.P** **MAIN**

Ref. No.	Part No.	Description	Remark
		< LED >	
D1001	8-719-075-60	LED SELS5823C-TP15 (VIDEO 1)	
D1002	8-719-075-60	LED SELS5823C-TP15 (VIDEO 2)	
D1003	8-719-075-60	LED SELS5823C-TP15 (VIDEO 3)	
D1004	8-719-075-60	LED SELS5823C-TP15 (DVD/LD)	
D1005	8-719-075-60	LED SELS5823C-TP15 (TV/SAT)	
D1006	8-719-075-60	LED SELS5823C-TP15 (TAPE)	
D1007	8-719-075-60	LED SELS5823C-TP15 (CD/SACD)	
D1008	8-719-075-60	LED SELS5823C-TP15 (MD/DAT)	
D1009	8-719-075-60	LED SELS5823C-TP15 (TUNER)	
D1010	8-719-075-60	LED SELS5823C-TP15 (PHONO)	
D1011	8-719-313-50	LED SEL6810A-TH12 (NIGHT MODE)	
D1012	8-719-075-60	LED SELS5823C-TP15 (DIGITAL CINEMA SOUND)	
D1013	8-719-075-60	LED SELS5823C-TP15 (6.1CH DECODING)	
D1014	8-719-046-39	LED SEL5821A-TP15 (MULTI CH DIRECT)	
D1015	8-719-046-39	LED SEL5821A-TP15 (A. DIRECT)	
D1016	8-719-046-39	LED SEL5821A-TP15 (2CH ST)	
D1017	8-719-046-39	LED SEL5821A-TP15 (MODE)	
D1018	8-719-046-39	LED SEL5821A-TP15 (AUTO DEC.)	
D1019	8-719-084-07	LED SEL5821A-TP15 (MULTI CHANNEL DECODING)	
D1020	8-719-991-33	DIODE 1SS133T-77	
		< FLUORESCENT INDICATOR TUBE >	
FL1001	1-518-737-11	INDICATOR TUBE, FLUORESCENT	
		< IC >	
IC1001	6-701-920-01	IC ML9261AMB	
IC1002	6-701-888-01	IC BU2152FS	
IC1011	8-759-243-51	IC TC74ACT08P	
		< TRANSISTOR >	
Q1002	8-729-119-78	TRANSISTOR 2SC2785-HFE	
		< RESISTOR >	
△ R1001	1-249-381-11	CARBON 1 5% 1/4W F	
△ R1002	1-249-381-11	CARBON 1 5% 1/4W F	
R1004	1-249-417-11	CARBON 1K 5% 1/4W	
R1005	1-249-417-11	CARBON 1K 5% 1/4W	
R1007	1-249-429-11	CARBON 10K 5% 1/4W	
R1008	1-249-429-11	CARBON 10K 5% 1/4W	
R1009	1-249-429-11	CARBON 10K 5% 1/4W	
R1010	1-249-429-11	CARBON 10K 5% 1/4W	
R1011	1-247-807-31	CARBON 100 5% 1/4W	
R1012	1-247-807-31	CARBON 100 5% 1/4W	
R1013	1-247-807-31	CARBON 100 5% 1/4W	
R1014	1-247-807-31	CARBON 100 5% 1/4W	
R1017	1-249-429-11	CARBON 10K 5% 1/4W	
R1018	1-249-429-11	CARBON 10K 5% 1/4W	
R1024	1-249-437-11	CARBON 47K 5% 1/4W	
R1026	1-249-437-11	CARBON 47K 5% 1/4W	
R1027	1-249-437-11	CARBON 47K 5% 1/4W	
R1031	1-249-409-11	CARBON 220 5% 1/4W	
R1032	1-249-411-11	CARBON 330 5% 1/4W	
R1033	1-249-411-11	CARBON 330 5% 1/4W	

Ref. No.	Part No.	Description	Remark
R1034	1-249-411-11	CARBON 330 5% 1/4W	
R1035	1-249-411-11	CARBON 330 5% 1/4W	
R1036	1-249-411-11	CARBON 330 5% 1/4W	
R1037	1-249-402-11	CARBON 56 5% 1/4W	
R1038	1-249-409-11	CARBON 220 5% 1/4W	
R1040	1-249-429-11	CARBON 10K 5% 1/4W	
R1041	1-247-807-31	CARBON 100 5% 1/4W	
R1042	1-249-417-11	CARBON 1K 5% 1/4W	
R1043	1-249-417-11	CARBON 1K 5% 1/4W	
R1044	1-247-807-31	CARBON 100 5% 1/4W	
R1049	1-247-807-31	CARBON 100 5% 1/4W	
R1050	1-247-807-31	CARBON 100 5% 1/4W	
		< ROTARY ENCODER >	
RV1001	1-418-725-41	ENCODER, ROTARY (12TYPE) (MASTER VOLUME)	

	1-684-335-11	H.P BOARD *****	
		< CONNECTOR >	
CN849	1-784-922-11	PIN, CONNECTOR 5P	
		< TERMINAL >	
* EB849	1-537-738-21	TERMINAL, EARTH	
		< JACK >	
J849	1-815-313-21	JACK (PHONES)	

	A-4728-469-A	MAIN BOARD, COMPLETE (DA2ES: US)	
	A-4728-494-A	MAIN BOARD, COMPLETE (DA2ES: CND)	
	A-4728-497-A	MAIN BOARD, COMPLETE (DB1080: SP, MY)	
	A-4728-508-A	MAIN BOARD, COMPLETE (DB1080: E, KR)	
	A-4728-518-A	MAIN BOARD, COMPLETE (DB1080: AEP, UK) *****	
	7-685-872-09	SCREW +BVTT 3X8 (S)	
		< CAPACITOR >	
C107	1-127-868-11	CERAMIC 2200PF 10% 50V	
C119	1-127-868-11	CERAMIC 2200PF 10% 50V	
C120	1-127-876-11	CERAMIC 0.01uF 10% 50V	
C121	1-127-868-11	CERAMIC 2200PF 10% 50V	
C122	1-127-868-11	CERAMIC 2200PF 10% 50V	
C123	1-128-809-11	CERAMIC 100PF 5% 50V	
C131	1-128-809-11	CERAMIC 100PF 5% 50V (DB1080)	
C132	1-128-809-11	CERAMIC 100PF 5% 50V (DB1080)	
C133	1-128-813-11	CERAMIC 220PF 5% 50V (DB1080)	
C134	1-128-813-11	CERAMIC 220PF 5% 50V DB1080)	
C135	1-126-961-11	ELECT 2.2uF 20% 50V (EXCEPT DB1080: AEP, UK)	
C135	1-119-821-11	ELECT 2.2uF 20% 50V (DB1080: AEP, UK)	

The components identified by mark △ or dotted line with mark △ are critical for safety. Replace only with part number specified.	Les composants identifiés par une marque △ sont critiques pour la sécurité. Ne les remplacer que par une pièce portant le numéro spécifié.
--	--

Ref. No.	Part No.	Description	Remark	Ref. No.	Part No.	Description	Remark
C136	1-126-961-11	ELECT	2.2uF 20% 50V EXCEPT DB1080: AEP, UK)	C409	1-126-934-11	ELECT	220uF 20% 10V (DA2ES)
C136	1-119-821-11	ELECT	2.2uF 20% 50V (DB1080: AEP, UK)	C409	1-128-832-11	ELECT	220uF 20% 10V (DB1080: E, SP, MY, KR)
C137	1-128-809-11	CERAMIC	100PF 5% 50V (DB1080)	C409	1-135-667-11	ELECT	220uF 10V (DB1080: AEP, UK)
C138	1-128-809-11	CERAMIC	100PF 5% 50V (DB1080)	C410	1-128-809-11	CERAMIC	100PF 5% 50V
C139	1-126-934-11	ELECT	220uF 20% 10V (EXCEPT DB1080: AEP, UK)	C411	1-107-597-11	CERAMIC	22PF 10% 500V
C139	1-128-832-11	ELECT	220uF 20% 10V (DB1080: AEP, UK)	C412	1-107-597-11	CERAMIC	22PF 10% 500V
C140	1-126-934-11	ELECT	220uF 20% 10V (EXCEPT DB1080: AEP, UK)	C414	1-136-161-00	MYLAR	0.047uF 5% 50V
C140	1-128-832-11	ELECT	220uF 20% 10V (DB1080: AEP, UK)	C415	1-136-165-00	MYLAR	0.1uF 5% 50V
C141	1-125-896-11	MYLAR	0.0091uF 5% 50V	C418	1-126-933-11	ELECT	100uF 20% 16V (DA2ES)
C142	1-125-896-11	MYLAR	0.0091uF 5% 50V	C418	1-127-718-11	ELECT	100uF 20% 16V (DB1080: E, SP, MY, KR)
C143	1-136-159-00	MYLAR	0.033uF 5% 50V	C418	1-135-709-11	ELECT	100uF 16V (DB1080: AEP, UK)
C144	1-136-159-00	MYLAR	0.033uF 5% 50V	C421	1-126-965-11	ELECT	22uF 20% 50V (DA2ES)
C145	1-119-821-11	ELECT	2.2uF 20% 50V (DB1080: AEP, UK)	C421	1-128-858-11	ELECT	22uF 20% 50V (DB1080: E, SP, MY, KR)
C145	1-126-961-11	ELECT	2.2uF 20% 50V (EXCEPT DB1080: AEP, UK)	C421	1-135-744-11	ELECT	22uF 50V (DB1080: AEP, UK)
C146	1-119-821-11	ELECT	2.2uF 20% 50V (DB1080: AEP, UK)	C451	1-126-965-11	ELECT	22uF 20% 50V (DA2ES)
C146	1-126-961-11	ELECT	2.2uF 20% 50V (EXCEPT DB1080: AEP, UK)	C451	1-128-858-11	ELECT	22uF 20% 50V (DB1080: E, SP, MY, KR)
C161	1-127-868-11	CERAMIC	2200PF 10% 50V	C451	1-135-744-11	ELECT	22uF 50V (DB1080: AEP, UK)
C162	1-127-868-11	CERAMIC	2200PF 10% 50V	C452	1-102-110-00	CERAMIC	220PF 10% 50V
C163	1-127-868-11	CERAMIC	2200PF 10% 50V	C454	1-126-965-11	ELECT	22uF 20% 50V (DA2ES)
C164	1-127-868-11	CERAMIC	2200PF 10% 50V	C454	1-128-858-11	ELECT	22uF 20% 50V (DB1080: E, SP, MY, KR)
C165	1-128-809-11	CERAMIC	100PF 5% 50V	C454	1-135-744-11	ELECT	22uF 50V (DB1080: AEP, UK)
C179	1-127-868-11	CERAMIC	2200PF 10% 50V (DA2ES)	C455	1-102-110-00	CERAMIC	220PF 10% 50V
C180	1-127-868-11	CERAMIC	2200PF 10% 50V (DA2ES)	C456	1-102-233-00	CERAMIC	33PF 10% 500V
C181	1-128-809-11	CERAMIC	100PF 5% 50V (DA2ES)	C458	1-102-230-00	CERAMIC	4PF 0.25PF 500V
C401	1-126-965-11	ELECT	22uF 20% 50V (DA2ES)	C459	1-126-934-11	ELECT	220uF 20% 10V (DA2ES)
C401	1-128-858-11	ELECT	22uF 20% 50V (DB1080: E, SP, MY, KR)	C459	1-128-832-11	ELECT	220uF 20% 10V (DB1080: E, SP, MY, KR)
C401	1-135-744-11	ELECT	22uF 50V (DB1080: AEP, UK)	C459	1-135-667-11	ELECT	220uF 10V (DB1080: AEP, UK)
C402	1-102-110-00	CERAMIC	220PF 10% 50V	C460	1-128-809-11	CERAMIC	100PF 5% 50V
C403	1-119-824-11	ELECT	10uF 20% 50V (DB1080: E, SP, MY, KR)	C461	1-107-597-11	CERAMIC	22PF 10% 500V
C403	1-126-964-11	ELECT	10uF 20% 50V (DA2ES)	C462	1-107-597-11	CERAMIC	22PF 10% 500V
C403	1-135-743-11	ELECT	10uF 50V (DB1080: AEP, UK)	C464	1-136-161-00	MYLAR	0.047uF 5% 50V
C404	1-126-965-11	ELECT	22uF 20% 50V (DA2ES)	C465	1-136-165-00	MYLAR	0.1uF 5% 50V
C404	1-128-858-11	ELECT	22uF 20% 50V (DB1080: E, SP, MY, KR)	C468	1-126-933-11	ELECT	100uF 20% 16V (DA2ES)
C404	1-135-744-11	ELECT	22uF 50V (DB1080: AEP, UK)	C468	1-127-718-11	ELECT	100uF 20% 16V (DB1080: E, SP, MY, KR)
C405	1-102-110-00	CERAMIC	220PF 10% 50V	C468	1-135-709-11	ELECT	100uF 16V (DB1080: AEP, UK)
C406	1-102-233-00	CERAMIC	33PF 10% 500V	C469	1-128-809-11	CERAMIC	100PF 5% 50V
C408	1-102-230-00	CERAMIC	4PF 0.25PF 500V	C471	1-126-965-11	ELECT	22uF 20% 50V (DA2ES)
				C471	1-128-858-11	ELECT	22uF 20% 50V (DB1080: E, SP, MY, KR)

STR-DA2ES/DB1080

MAIN

Ref. No.	Part No.	Description	Remark	Ref. No.	Part No.	Description	Remark
C471	1-135-744-11	ELECT	22uF 50V (DB1080: AEP, UK)	C555	1-102-110-00	CERAMIC	220PF 10% 50V
C501	1-126-965-11	ELECT	22uF 20% 50V (DA2ES)	C556	1-102-233-00	CERAMIC	33PF 10% 500V
C501	1-128-858-11	ELECT	22uF 20% 50V (DB1080: E, SP, MY, KR)	C557	1-128-809-11	CERAMIC	100PF 5% 50V
C501	1-135-744-11	ELECT	22uF 50V (DB1080: AEP, UK)	C558	1-102-230-00	CERAMIC	4PF 0.25PF 500V
C502	1-102-110-00	CERAMIC	220PF 10% 50V	C559	1-126-934-11	ELECT	220uF 20% 10V (DA2ES)
C503	1-119-824-11	ELECT	10uF 20% 50V (DB1080: E, SP, MY, KR)	C559	1-128-832-11	ELECT	220uF 20% 10V (DB1080: E, SP, MY, KR)
C503	1-126-964-11	ELECT	10uF 20% 50V (DA2ES)	C559	1-135-667-11	ELECT	220uF 10V (DB1080: AEP, UK)
C503	1-135-743-11	ELECT	10uF 50V (DB1080: AEP, UK)	C560	1-128-809-11	CERAMIC	100PF 5% 50V
C504	1-126-965-11	ELECT	22uF 20% 50V (DA2ES)	C561	1-107-597-11	CERAMIC	22PF 10% 500V
C504	1-128-858-11	ELECT	22uF 20% 50V (DB1080: E, SP, MY, KR)	C562	1-107-597-11	CERAMIC	22PF 10% 500V
C504	1-135-744-11	ELECT	22uF 50V (DB1080: AEP, UK)	C564	1-136-161-00	MYLAR	0.047uF 5% 50V
C505	1-102-110-00	CERAMIC	220PF 10% 50V	C565	1-136-165-00	MYLAR	0.1uF 5% 50V
C506	1-102-233-00	CERAMIC	33PF 10% 500V	C568	1-126-933-11	ELECT	100uF 20% 16V (DA2ES)
C507	1-128-809-11	CERAMIC	100PF 5% 50V	C568	1-127-718-11	ELECT	100uF 20% 16V (DB1080: E, SP, MY, KR)
C508	1-102-230-00	CERAMIC	4PF 0.25PF 500V	C568	1-135-709-11	ELECT	100uF 16V (DB1080: AEP, UK)
C509	1-126-934-11	ELECT	220uF 20% 10V (DA2ES)	C571	1-126-965-11	ELECT	22uF 20% 50V (DA2ES)
C509	1-128-832-11	ELECT	220uF 20% 10V (DB1080: E, SP, MY, KR)	C571	1-128-858-11	ELECT	22uF 20% 50V (DB1080: E, SP, MY, KR)
C509	1-135-667-11	ELECT	220uF 10V (DB1080: AEP, UK)	C571	1-135-744-11	ELECT	22uF 50V (DB1080: AEP, UK)
C510	1-128-809-11	CERAMIC	100PF 5% 50V	C601	1-126-965-11	ELECT	22uF 20% 50V (DA2ES)
C511	1-107-597-11	CERAMIC	22PF 10% 500V	C601	1-128-858-11	ELECT	22uF 20% 50V (DB1080: E, SP, MY, KR)
C512	1-107-597-11	CERAMIC	22PF 10% 500V	C601	1-135-744-11	ELECT	22uF 50V (DB1080: AEP, UK)
C514	1-136-161-00	MYLAR	0.047uF 5% 50V	C602	1-102-110-00	CERAMIC	220PF 10% 50V
C515	1-136-165-00	MYLAR	0.1uF 5% 50V	C603	1-119-824-11	ELECT	10uF 20% 50V (DB1080: E, SP, MY, KR)
C518	1-126-933-11	ELECT	100uF 20% 16V (DA2ES)	C603	1-126-964-11	ELECT	10uF 20% 50V (DA2ES)
C518	1-127-718-11	ELECT	100uF 20% 16V (DB1080: E, SP, MY, KR)	C603	1-135-743-11	ELECT	10uF 50V (DB1080: AEP, UK)
C518	1-135-709-11	ELECT	100uF 16V (DB1080: AEP, UK)	C604	1-126-965-11	ELECT	22uF 20% 50V (DA2ES)
C519	1-128-809-11	CERAMIC	100PF 5% 50V	C604	1-128-858-11	ELECT	22uF 20% 50V (DB1080: E, SP, MY, KR)
C521	1-126-965-11	ELECT	22uF 20% 50V (DA2ES)	C604	1-135-744-11	ELECT	22uF 50V (DB1080: AEP, UK)
C521	1-128-858-11	ELECT	22uF 20% 50V (DB1080: E, SP, MY, KR)	C605	1-102-110-00	CERAMIC	220PF 10% 50V
C521	1-135-744-11	ELECT	22uF 50V (DB1080: AEP, UK)	C606	1-102-233-00	CERAMIC	33PF 10% 500V
C551	1-126-965-11	ELECT	22uF 20% 50V (DA2ES)	C607	1-128-809-11	CERAMIC	100PF 5% 50V
C551	1-128-858-11	ELECT	22uF 20% 50V (DB1080: E, SP, MY, KR)	C608	1-102-230-00	CERAMIC	4PF 0.25PF 500V
C551	1-135-744-11	ELECT	22uF 50V (DB1080: AEP, UK)	C609	1-126-934-11	ELECT	220uF 20% 10V (DA2ES)
C552	1-102-110-00	CERAMIC	220PF 10% 50V	C609	1-128-832-11	ELECT	220uF 20% 10V (DB1080: E, SP, MY, KR)
C554	1-126-965-11	ELECT	22uF 20% 50V (DA2ES)	C609	1-135-667-11	ELECT	220uF 10V (DB1080: AEP, UK)
C554	1-128-858-11	ELECT	22uF 20% 50V (DB1080: E, SP, MY, KR)	C610	1-128-809-11	CERAMIC	100PF 5% 50V
C554	1-135-744-11	ELECT	22uF 50V (DB1080: AEP, UK)	C611	1-107-597-11	CERAMIC	22PF 10% 500V
				C612	1-107-597-11	CERAMIC	22PF 10% 500V
				C614	1-136-161-00	MYLAR	0.047uF 5% 50V
				C615	1-136-165-00	MYLAR	0.1uF 5% 50V

Ref. No.	Part No.	Description	Remark			Ref. No.	Part No.	Description	Remark		
C618	1-126-933-11	ELECT	100uF	20%	16V (DA2ES)	C702	1-102-110-00	CERAMIC	220PF	10%	50V
						C703	1-126-965-11	ELECT	22uF	20%	50V (DA2ES)
C618	1-127-718-11	ELECT	100uF	20%	16V (DB1080: E, SP, MY, KR)	C703	1-128-858-11	ELECT	22uF	20%	50V (DB1080: E, SP, MY, KR)
C618	1-135-709-11	ELECT	100uF		16V (DB1080: AEP, UK)	C703	1-135-744-11	ELECT	22uF		50V (DB1080: AEP, UK)
C619	1-128-809-11	CERAMIC	100PF	5%	50V	C718	1-126-933-11	ELECT	100uF	20%	16V (DA2ES)
C621	1-126-965-11	ELECT	22uF	20%	50V (DA2ES)	C718	1-127-718-11	ELECT	100uF	20%	16V (DB1080: E, SP, MY, KR)
C621	1-128-858-11	ELECT	22uF	20%	50V (DB1080: E, SP, MY, KR)	C718	1-135-709-11	ELECT	100uF		16V (DB1080: AEP, UK)
C621	1-135-744-11	ELECT	22uF		50V (DB1080: AEP, UK)	C721	1-126-965-11	ELECT	22uF	20%	50V (DA2ES)
C651	1-126-965-11	ELECT	22uF	20%	50V (DA2ES)	C721	1-128-858-11	ELECT	22uF	20%	50V (DB1080: E, SP, MY, KR)
C651	1-128-858-11	ELECT	22uF	20%	50V (DB1080: E, SP, MY, KR)	C721	1-135-744-11	ELECT	22uF		50V (DB1080: AEP, UK)
C651	1-135-744-11	ELECT	22uF		50V (DB1080: AEP, UK)	C790	1-128-560-11	ELECT	22uF	20%	100V (DA2ES)
C652	1-102-110-00	CERAMIC	220PF	10%	50V	C790	1-128-886-11	ELECT	100uF	20%	100V (DB1080: E, SP, MY, KR)
C654	1-126-965-11	ELECT	22uF	20%	50V (DA2ES)	C790	1-135-730-51	ELECT	100uF		100V (DB1080: AEP, UK)
C654	1-128-858-11	ELECT	22uF	20%	50V (DB1080: E, SP, MY, KR)	C795	1-128-560-11	ELECT	22uF	20%	100V (DA2ES)
C654	1-135-744-11	ELECT	22uF		50V (DB1080: AEP, UK)	C795	1-128-886-11	ELECT	100uF	20%	100V (DB1080: E, SP, MY, KR)
C655	1-102-110-00	CERAMIC	220PF	10%	50V	C795	1-135-730-51	ELECT	100uF		100V (DB1080: AEP, UK)
C656	1-102-233-00	CERAMIC	33PF	10%	500V	C801	1-126-941-11	ELECT	470uF	20%	25V (DA2ES)
C657	1-128-809-11	CERAMIC	100PF	5%	50V	C801	1-127-726-11	ELECT	470uF	20%	25V (DB1080: E, SP, MY, KR)
C658	1-102-230-00	CERAMIC	4PF	0.25PF	500V	C801	1-135-684-11	ELECT	470uF		25V (DB1080: AEP, UK)
C659	1-126-934-11	ELECT	220uF	20%	10V (DA2ES)	C802	1-126-941-11	ELECT	470uF	20%	25V (DA2ES)
C659	1-128-832-11	ELECT	220uF	20%	10V (DB1080: E, SP, MY, KR)	C802	1-127-726-11	ELECT	470uF	20%	25V (DB1080: E, SP, MY, KR)
C659	1-135-667-11	ELECT	220uF		10V (DB1080: AEP, UK)	C802	1-135-684-11	ELECT	470uF		25V (DB1080: AEP, UK)
C660	1-128-809-11	CERAMIC	100PF	5%	50V	C809	1-128-560-11	ELECT	22uF	20%	100V (DA2ES)
C661	1-107-597-11	CERAMIC	22PF	10%	500V	C809	1-128-883-11	ELECT	22uF	20%	100V (DB1080: E, SP, MY, KR)
C662	1-107-597-11	CERAMIC	22PF	10%	500V	C809	1-135-727-11	ELECT	22uF		100V (DB1080: AEP, UK)
C664	1-136-161-00	MYLAR	0.047uF	5%	50V	C810	1-128-560-11	ELECT	22uF	20%	100V (DA2ES)
C665	1-136-165-00	MYLAR	0.1uF	5%	50V	C810	1-128-883-11	ELECT	22uF	20%	100V (DB1080: E, SP, MY, KR)
C668	1-126-933-11	ELECT	100uF	20%	16V (DA2ES)	C810	1-135-727-11	ELECT	22uF		100V (DB1080: AEP, UK)
C668	1-127-718-11	ELECT	100uF	20%	16V (DB1080: E, SP, MY, KR)	C814	1-126-933-11	ELECT	100uF	20%	16V
C668	1-135-709-11	ELECT	100uF		16V (DB1080: AEP, UK)	C815	1-126-933-11	ELECT	100uF	20%	16V
C669	1-128-809-11	CERAMIC	100PF	5%	50V	C816	1-127-888-11	CERAMIC	0.1uF	10%	50V
C671	1-126-965-11	ELECT	22uF	20%	50V (DA2ES)	C817	1-126-947-11	ELECT	47uF	20%	35V (DA2ES)
C671	1-128-858-11	ELECT	22uF	20%	50V (DB1080: E, SP, MY, KR)	C817	1-128-850-11	ELECT	47uF	20%	35V (DB1080: E, SP, MY, KR)
C671	1-135-744-11	ELECT	22uF		50V (DB1080: AEP, UK)						
C701	1-126-965-11	ELECT	22uF	20%	50V (DA2ES)						
C701	1-128-858-11	ELECT	22uF	20%	50V (DB1080: E, SP, MY, KR)						
C701	1-135-744-11	ELECT	22uF		50V (DB1080: AEP, UK)						

STR-DA2ES/DB1080

MAIN

Ref. No.	Part No.	Description	Remark	Ref. No.	Part No.	Description	Remark
C817	1-135-775-11	ELECT	47uF 35V (DB1080: AEP, UK)	IC503	6-700-943-01	IC uPC2581V-S	
C818	1-128-551-11	ELECT	22uF 20% 25V (DA2ES)	IC521	8-759-636-74	IC M5218AP-22	
C818	1-128-858-11	ELECT	22uF 20% 25V (DB1080: E, SP, MY, KR)	IC601	6-702-387-01	IC CXD9725M	
C818	1-135-703-11	ELECT	22uF 25V (DB1080: AEP, UK)	IC602	8-759-636-74	IC M5218AP-22	
C819	1-128-551-11	ELECT	22uF 20% 25V (DA2ES)	IC603	6-700-943-01	IC uPC2581V	
C819	1-128-858-11	ELECT	22uF 20% 25V (DB1080: E, SP, MY, KR)	IC621	8-759-636-74	IC M5218AP-22	
C819	1-135-703-11	ELECT	22uF 25V (DB1080: AEP, UK)	IC651	6-702-387-01	IC CXD9725M	
C821	1-127-876-11	CERAMIC	0.01uF 10% 50V	IC652	8-759-636-74	IC M5218AP-22	
		< CONNECTOR >		IC801	8-759-231-59	IC TA7815S	
CN101	1-784-776-11	CONNECTOR, FFC 15P (DA2ES)		IC802	8-759-245-87	IC TA79015S	
CN101	1-568-828-11	CONNECTOR, FFC 9P (DB1080)		IC804	8-759-243-51	IC TC74ACT08P	
CN801	1-784-922-11	PIN, CONNECTOR 5P		IC805	8-759-243-51	IC TC74ACT08P	
CN802	1-785-101-21	PIN, CONNECTOR (3.96mm PITCH) 3P				< JACK >	
CN803	1-785-102-11	PIN, CONNECTOR (3.96mm PITCH) 4P		J101	1-779-599-11	JACK, PIN 6P (MULTI CH IN 2 FRONT/ SURROUND/CENTER/SUB WOOFER)	
CN804	1-784-923-11	PIN, CONNECTOR 7P		J111	1-779-599-11	JACK, PIN 6P (MULTI CH IN 1 FRONT/ SURROUND/CENTER/SURROUND BACK)	
CN805	1-784-928-11	PIN, CONNECTOR 13P		J112	1-774-785-11	JACK, PIN 1P (MULTI CH IN 1 SUB WOOFER)	
CN806	1-569-814-11	CONNECTOR, BOARD TO BOARD 21P		J131	1-695-188-31	JACK, PIN 4P (PHONO IN, CD/SACD IN)	
CN807	1-569-814-11	CONNECTOR, BOARD TO BOARD 21P		J151	1-695-188-31	JACK, PIN 4P (MD/DAT OUT, MD/DAT IN)	
CN809	1-779-977-11	PIN, CONNECTOR 6P		J152	1-695-188-31	JACK, PIN 4P (TAPE OUT, TAPE IN)	
		< DIODE >				< COIL >	
D790	8-719-947-65	DIODE MTZJ-T-72-16B (DA2ES: CND)		L401	1-422-009-13	COIL, AIR-CORE	
D790	8-719-947-70	DIODE MTZJ-T-72-18C (DA2ES: US)		L451	1-422-009-13	COIL, AIR-CORE	
D790	8-719-947-84	DIODE MTZJ-T-72-24D (DB1080)		L501	1-422-009-13	COIL, AIR-CORE	
D791	8-719-911-19	DIODE 1SS119-25		L551	1-422-009-13	COIL, AIR-CORE	
D796	8-719-911-19	DIODE 1SS119-25		L601	1-422-009-13	COIL, AIR-CORE	
				L651	1-422-009-13	COIL, AIR-CORE	
D802	8-719-911-19	DIODE 1SS119-25				< TRANSISTOR >	
D803	8-719-911-19	DIODE 1SS119-25		Q401	8-729-141-30	TRANSISTOR 2SC3623A-LK	
D804	8-719-911-19	DIODE 1SS119-25		Q451	8-729-141-30	TRANSISTOR 2SC3623A-LK	
D809	8-719-911-19	DIODE 1SS119-25		Q501	8-729-141-30	TRANSISTOR 2SC3623A-LK	
D810	8-719-911-19	DIODE 1SS119-25		Q551	8-729-141-30	TRANSISTOR 2SC3623A-LK	
				Q601	8-729-141-30	TRANSISTOR 2SC3623A-LK	
D811	8-719-911-19	DIODE 1SS119-25		Q651	8-729-141-30	TRANSISTOR 2SC3623A-LK	
D812	8-719-911-19	DIODE 1SS119-25		Q701	8-729-141-30	TRANSISTOR 2SC3623A-LK	
D813	8-719-911-19	DIODE 1SS119-25		Q790	8-729-032-65	TRANSISTOR 2SD2396H	
D814	8-719-911-19	DIODE 1SS119-25		Q791	8-729-140-84	TRANSISTOR 2SC1841-PAFAEA	
D815	8-719-985-88	DIODE HZS6B2LTA		Q795	8-729-024-95	TRANSISTOR 2SB1565EF	
				Q807	8-729-119-79	TRANSISTOR 2SC2785-FEK	
D818	8-719-911-19	DIODE 1SS119-25		Q808	8-729-119-79	TRANSISTOR 2SC2785-FEK	
D819	8-719-911-19	DIODE 1SS119-25		Q809	8-729-119-79	TRANSISTOR 2SC2785-FEK	
D820	8-719-911-19	DIODE 1SS119-25		Q810	8-729-900-63	TRANSISTOR DTA124ES	
		< IC >		Q813	8-729-900-63	TRANSISTOR DTA124ES	
IC111	8-759-835-79	IC TC9274N-016		Q815	8-729-119-79	TRANSISTOR 2SC2785-FEK	
IC131	8-759-636-74	IC M5218AP-22		Q823	8-729-119-79	TRANSISTOR 2SC2785-FEK	
IC151	8-759-582-64	IC TC9273N-004		Q824	8-729-119-78	TRANSISTOR 2SC2785-HFE	
IC171	8-759-582-66	IC TC9273N-013 (DA2ES)		Q826	8-729-119-79	TRANSISTOR 2SC2785-FEK	
IC401	6-702-387-01	IC CXD9725M				< RESISTOR >	
IC402	8-759-636-74	IC M5218AP-22		R101	1-249-417-11	CARBON 1K 5% 1/4W	
IC403	6-700-943-01	IC uPC2581V-S		R102	1-249-417-11	CARBON 1K 5% 1/4W	
IC421	8-759-636-74	IC M5218AP-22		R103	1-249-417-11	CARBON 1K 5% 1/4W	
IC501	6-702-387-01	IC CXD9725M		R104	1-249-417-11	CARBON 1K 5% 1/4W	
IC502	8-759-636-74	IC M5218AP-22					

Ref. No.	Part No.	Description	Remark	Ref. No.	Part No.	Description	Remark
R105	1-249-417-11	CARBON	1K 5% 1/4W	R404	1-249-417-11	CARBON	1K 5% 1/4W
R106	1-249-417-11	CARBON	1K 5% 1/4W	R407	1-249-433-11	CARBON	22K 5% 1/4W
R111	1-249-417-11	CARBON	1K 5% 1/4W	R408	1-243-115-22	CARBON	1K 5% 1/4W (DB1080: AEP, UK)
R112	1-249-417-11	CARBON	1K 5% 1/4W	R408	1-249-417-11	CARBON	1K 5% 1/4W (EXCEPT DB1080: AEP, UK)
R113	1-249-417-11	CARBON	1K 5% 1/4W	R409	1-243-159-22	CARBON	68K 5% 1/4W (DB1080: AEP, UK)
R114	1-249-417-11	CARBON	1K 5% 1/4W	R409	1-249-439-11	CARBON	68K 5% 1/4W (EXCEPT DB1080: AEP, UK)
R115	1-249-417-11	CARBON	1K 5% 1/4W	R410	1-249-422-11	CARBON	2.7K 5% 1/4W (EXCEPT DB1080: AEP, UK)
R116	1-249-417-11	CARBON	1K 5% 1/4W	R410	1-249-683-31	CARBON	2.7K 5% 1/2W (DB1080: AEP, UK)
R117	1-249-417-11	CARBON	1K 5% 1/4W	R411	1-249-439-11	CARBON	68K 5% 1/4W (EXCEPT DB1080: AEP, UK)
R119	1-249-417-11	CARBON	1K 5% 1/4W	R411	1-249-494-11	CARBON	68K 5% 1/2W (DB1080: AEP, UK)
R131	1-249-421-11	CARBON	2.2K 5% 1/4W (DB1080)	△R412	1-249-405-11	CARBON	100 5% 1/4W F
R132	1-249-421-11	CARBON	2.2K 5% 1/4W (DB1080)	△R413	1-249-405-11	CARBON	100 5% 1/4W F
R133	1-249-441-11	CARBON	100K 5% 1/4W	△R414	1-234-182-11	ENCAPSULATED COMPONENT	0.22 5W F (EXCEPT DB1080: AEP, UK)
R134	1-249-441-11	CARBON	100K 5% 1/4W	△R414	1-234-572-21	ENCAPSULATED COMPONENT	0.22 5W F (DB1080: AEP, UK)
R135	1-249-408-11	CARBON	180 5% 1/4W	△R416	1-249-393-11	CARBON	10 5% 1/4W F
R136	1-249-408-11	CARBON	180 5% 1/4W	△R417	1-249-393-11	CARBON	10 5% 1/4W F
R137	1-249-428-11	CARBON	8.2K 5% 1/4W	R421	1-243-163-22	CARBON	100K 5% 1/4W (DB1080: AEP, UK)
R138	1-249-428-11	CARBON	8.2K 5% 1/4W	R421	1-249-441-11	CARBON	100K 5% 1/4W (EXCEPT DB1080: AEP, UK)
R139	1-249-441-11	CARBON	100K 5% 1/4W	R451	1-249-427-11	CARBON	6.8K 5% 1/4W
R140	1-249-441-11	CARBON	100K 5% 1/4W	R452	1-243-115-22	CARBON	1K 5% 1/4W (DB1080: AEP, UK)
R141	1-247-807-31	CARBON	100 5% 1/4W	R452	1-249-417-11	CARBON	1K 5% 1/4W (EXCEPT DB1080: AEP, UK)
R142	1-247-807-31	CARBON	100 5% 1/4W	R453	1-243-163-22	CARBON	100K 5% 1/4W (DB1080: AEP, UK)
R143	1-249-441-11	CARBON	100K 5% 1/4W	R453	1-249-441-11	CARBON	100K 5% 1/4W (EXCEPT DB1080: AEP, UK)
R144	1-249-441-11	CARBON	100K 5% 1/4W	R458	1-243-115-22	CARBON	1K 5% 1/4W (DB1080: AEP, UK)
R145	1-249-413-11	CARBON	470 5% 1/4W	R458	1-249-417-11	CARBON	1K 5% 1/4W (EXCEPT DB1080: AEP, UK)
R146	1-249-413-11	CARBON	470 5% 1/4W	R459	1-243-159-22	CARBON	68K 5% 1/4W (DB1080: AEP, UK)
R147	1-249-441-11	CARBON	100K 5% 1/4W	R459	1-249-439-11	CARBON	68K 5% 1/4W (EXCEPT DB1080: AEP, UK)
R148	1-249-441-11	CARBON	100K 5% 1/4W	R460	1-249-422-11	CARBON	2.7K 5% 1/4W (EXCEPT DB1080: AEP, UK)
R151	1-243-115-22	CARBON	1K 5% 1/4W (DB1080: AEP, UK)	R460	1-249-683-31	CARBON	2.7K 5% 1/2W (DB1080: AEP, UK)
R151	1-249-417-11	CARBON	1K 5% 1/4W (EXCEPT DB1080: AEP, UK)	R461	1-249-439-11	CARBON	68K 5% 1/4W (EXCEPT DB1080: AEP, UK)
R152	1-243-115-22	CARBON	1K 5% 1/4W (DB1080: AEP, UK)	R461	1-249-494-11	CARBON	68K 5% 1/2W (DB1080: AEP, UK)
R152	1-249-417-11	CARBON	1K 5% 1/4W (EXCEPT DB1080: AEP, UK)	△R462	1-249-405-11	CARBON	100 5% 1/4W F
R153	1-249-421-11	CARBON	2.2K 5% 1/4W	△R463	1-249-405-11	CARBON	100 5% 1/4W F
R154	1-249-421-11	CARBON	2.2K 5% 1/4W	△R464	1-234-182-11	ENCAPSULATED COMPONENT	0.22 5W F (EXCEPT DB1080: AEP, UK)
R155	1-249-417-11	CARBON	1K 5% 1/4W	△R464	1-234-572-21	ENCAPSULATED COMPONENT	0.22 5W F (DB1080: AEP, UK)
R156	1-249-417-11	CARBON	1K 5% 1/4W	△R466	1-249-393-11	CARBON	10 5% 1/4W F
R157	1-249-421-11	CARBON	2.2K 5% 1/4W				
R158	1-249-421-11	CARBON	2.2K 5% 1/4W				
R159	1-249-417-11	CARBON	1K 5% 1/4W				
R160	1-249-417-11	CARBON	1K 5% 1/4W				
R161	1-249-417-11	CARBON	1K 5% 1/4W				
R181	1-249-417-11	CARBON	1K 5% 1/4W (DA2ES)				
R401	1-249-427-11	CARBON	6.8K 5% 1/4W				
R402	1-243-115-22	CARBON	1K 5% 1/4W (DB1080: AEP, UK)				
R402	1-249-417-11	CARBON	1K 5% 1/4W (EXCEPT DB1080: AEP, UK)				
R403	1-243-163-22	CARBON	100K 5% 1/4W (DB1080: AEP, UK)				
R403	1-249-441-11	CARBON	100K 5% 1/4W (EXCEPT DB1080: AEP, UK)				

The components identified by mark △ or dotted line with mark △ are critical for safety. Replace only with part number specified.

Les composants identifiés par une marque △ sont critiques pour la sécurité. Ne les remplacer que par une pièce portant le numéro spécifié.

STR-DA2ES/DB1080

MAIN

Ref. No.	Part No.	Description	Remark	Ref. No.	Part No.	Description	Remark
△ R467	1-249-393-11	CARBON	10 5% 1/4W F	R560	1-249-422-11	CARBON	2.7K 5% 1/4W (EXCEPT DB1080: AEP, UK)
R471	1-243-163-22	CARBON	100K 5% 1/4W (DB1080: AEP, UK)	R560	1-249-683-31	CARBON	2.7K 5% 1/2W (DB1080: AEP, UK)
R471	1-249-441-11	CARBON	100K 5% 1/4W (EXCEPT DB1080: AEP, UK)	R561	1-249-439-11	CARBON	68K 5% 1/4W (EXCEPT DB1080: AEP, UK)
R501	1-249-427-11	CARBON	6.8K 5% 1/4W	R561	1-249-494-11	CARBON	68K 5% 1/2W DB1080: AEP, UK)
R502	1-243-115-22	CARBON	1K 5% 1/4W (DB1080: AEP, UK)	△ R562	1-249-405-11	CARBON	100 5% 1/4W F
R502	1-249-417-11	CARBON	1K 5% 1/4W (EXCEPT DB1080: AEP, UK)	△ R563	1-249-405-11	CARBON	100 5% 1/4W F
R503	1-243-163-22	CARBON	100K 5% 1/4W (DB1080: AEP, UK)	△ R564	1-234-182-11	ENCAPSULATED COMPONENT	0.22 5W F (EXCEPT DB1080: AEP, UK)
R503	1-249-441-11	CARBON	100K 5% 1/4W (EXCEPT DB1080: AEP, UK)	△ R564	1-234-572-21	ENCAPSULATED COMPONENT	0.22 5W F (DB1080: AEP, UK)
R504	1-249-417-11	CARBON	1K 5% 1/4W	△ R566	1-249-393-11	CARBON	10 5% 1/4W F
R507	1-249-433-11	CARBON	22K 5% 1/4W	△ R567	1-249-393-11	CARBON	10 5% 1/4W F
R508	1-243-115-22	CARBON	1K 5% 1/4W (DB1080: AEP, UK)	R571	1-243-163-22	CARBON	100K 5% 1/4W (DB1080: AEP, UK)
R508	1-249-417-11	CARBON	1K 5% 1/4W (EXCEPT DB1080: AEP, UK)	R571	1-249-441-11	CARBON	100K 5% 1/4W (EXCEPT DB1080: AEP, UK)
R509	1-243-159-22	CARBON	68K 5% 1/4W (DB1080: AEP, UK)	R601	1-249-427-11	CARBON	6.8K 5% 1/4W
R509	1-249-439-11	CARBON	68K 5% 1/4W (EXCEPT DB1080: AEP, UK)	R602	1-243-115-22	CARBON	1K 5% 1/4W (DB1080: AEP, UK)
R510	1-249-422-11	CARBON	2.7K 5% 1/4W (EXCEPT DB1080: AEP, UK)	R602	1-249-417-11	CARBON	1K 5% 1/4W (EXCEPT DB1080: AEP, UK)
R510	1-249-683-31	CARBON	2.7K 5% 1/2W (DB1080: AEP, UK)	R603	1-243-163-22	CARBON	100K 5% 1/4W (DB1080: AEP, UK)
R511	1-249-439-11	CARBON	68K 5% 1/4W (EXCEPT DB1080: AEP, UK)	R603	1-249-441-11	CARBON	100K 5% 1/4W (EXCEPT DB1080: AEP, UK)
R511	1-249-494-11	CARBON	68K 5% 1/2W (DB1080: AEP, UK)	R604	1-249-417-11	CARBON	1K 5% 1/4W
△ R512	1-249-405-11	CARBON	100 5% 1/4W F	R607	1-249-433-11	CARBON	22K 5% 1/4W
△ R513	1-249-405-11	CARBON	100 5% 1/4W F	R608	1-243-115-22	CARBON	1K 5% 1/4W (DB1080: AEP, UK)
△ R514	1-234-182-11	ENCAPSULATED COMPONENT	0.22 5W F (EXCEPT DB1080: AEP, UK)	R608	1-249-417-11	CARBON	1K 5% 1/4W (EXCEPT DB1080: AEP, UK)
△ R514	1-234-572-21	ENCAPSULATED COMPONENT	0.22 5W F (DB1080: AEP, UK)	R609	1-243-159-22	CARBON	68K 5% 1/4W (DB1080: AEP, UK)
△ R516	1-249-393-11	CARBON	10 5% 1/4W F	R609	1-249-439-11	CARBON	68K 5% 1/4W (EXCEPT DB1080: AEP, UK)
△ R517	1-249-393-11	CARBON	10 5% 1/4W F	R610	1-249-422-11	CARBON	2.7K 5% 1/4W (EXCEPT DB1080: AEP, UK)
R521	1-243-163-22	CARBON	100K 5% 1/4W (DB1080: AEP, UK)	R610	1-249-683-31	CARBON	2.7K 5% 1/2W (DB1080: AEP, UK)
R521	1-249-441-11	CARBON	100K 5% 1/4W (EXCEPT DB1080: AEP, UK)	R611	1-249-439-11	CARBON	68K 5% 1/4W (EXCEPT DB1080: AEP, UK)
R551	1-249-427-11	CARBON	6.8K 5% 1/4W	R611	1-249-494-11	CARBON	68K 5% 1/2W (DB1080: AEP, UK)
R552	1-243-115-22	CARBON	1K 5% 1/4W (DB1080: AEP, UK)	△ R612	1-249-405-11	CARBON	100 5% 1/4W F
R552	1-249-417-11	CARBON	1K 5% 1/4W (EXCEPT DB1080: AEP, UK)	△ R613	1-249-405-11	CARBON	100 5% 1/4W F
R553	1-243-163-22	CARBON	100K 5% 1/4W (DB1080: AEP, UK)	△ R614	1-234-182-11	ENCAPSULATED COMPONENT	0.22 5W F (EXCEPT DB1080: AEP, UK)
R553	1-249-441-11	CARBON	100K 5% 1/4W (EXCEPT DB1080: AEP, UK)	△ R614	1-234-572-21	ENCAPSULATED COMPONENT	0.22 5W F (DB1080: AEP, UK)
R558	1-243-115-22	CARBON	1K 5% 1/4W (DB1080: AEP, UK)	△ R616	1-249-393-11	CARBON	10 5% 1/4W F
R558	1-249-417-11	CARBON	1K 5% 1/4W (EXCEPT DB1080: AEP, UK)	△ R617	1-249-393-11	CARBON	10 5% 1/4W F
R559	1-243-159-22	CARBON	68K 5% 1/4W (DB1080: AEP, UK)	R621	1-243-163-22	CARBON	100K 5% 1/4W (DB1080: AEP, UK)
R559	1-249-439-11	CARBON	68K 5% 1/4W (EXCEPT DB1080: AEP, UK)	R621	1-249-441-11	CARBON	100K 5% 1/4W (EXCEPT DB1080: AEP, UK)
				R651	1-249-427-11	CARBON	6.8K 5% 1/4W
				R652	1-243-115-22	CARBON	1K 5% 1/4W (DB1080: AEP, UK)

The components identified by mark △ or dotted line with mark △ are critical for safety. Replace only with part number specified.

Les composants identifiés par une marque △ sont critiques pour la sécurité. Ne les remplacer que par une pièce portant le numéro spécifié.

MAIN	MIX
------	-----

Ref. No.	Part No.	Description	Remark	Ref. No.	Part No.	Description	Remark
R652	1-249-417-11	CARBON	1K 5% 1/4W (EXCEPT DB1080: AEP, UK)	R815	1-249-429-11	CARBON	10K 5% 1/4W
R653	1-243-163-22	CARBON	100K 5% 1/4W (DB1080: AEP, UK)	R816	1-249-429-11	CARBON	10K 5% 1/4W
R653	1-249-441-11	CARBON	100K 5% 1/4W (EXCEPT DB1080: AEP, UK)	R817	1-249-429-11	CARBON	10K 5% 1/4W
R654	1-243-115-22	CARBON	1K 5% 1/4W (DB1080: AEP, UK)	R818	1-249-429-11	CARBON	10K 5% 1/4W
R654	1-249-417-11	CARBON	1K 5% 1/4W (EXCEPT DB1080: AEP, UK)	△R820	1-249-393-11	CARBON	10 5% 1/4W F
R658	1-243-115-22	CARBON	1K 5% 1/4W (DB1080: AEP, UK)	△R822	1-249-393-11	CARBON	10 5% 1/4W F
R658	1-249-417-11	CARBON	1K 5% 1/4W (EXCEPT DB1080: AEP, UK)	△R824	1-215-867-00	METAL OXIDE	470 5% 1W F
R659	1-243-159-22	CARBON	68K 5% 1/4W (DB1080: AEP, UK)	△R825	1-215-867-00	METAL OXIDE	470 5% 1W F
R659	1-249-439-11	CARBON	68K 5% 1/4W (EXCEPT DB1080: AEP, UK)	R826	1-247-903-00	CARBON	1M 5% 1/4W
R660	1-249-422-11	CARBON	2.7K 5% 1/4W (EXCEPT DB1080: AEP, UK)	R827	1-249-417-11	CARBON	1K 5% 1/4W
R660	1-249-683-31	CARBON	2.7K 5% 1/2W (DB1080: AEP, UK)	R828	1-249-425-11	CARBON	4.7K 5% 1/4W
R661	1-249-439-11	CARBON	68K 5% 1/4W (EXCEPT DB1080: AEP, UK)	△R829	1-249-393-11	CARBON	10 5% 1/4W F
R661	1-249-494-11	CARBON	68K 5% 1/2W (DB1080: AEP, UK)	△R830	1-249-393-11	CARBON	10 5% 1/4W F
△R662	1-249-405-11	CARBON	100 5% 1/4W F	R831	1-249-429-11	CARBON	10K 5% 1/4W
△R663	1-249-405-11	CARBON	100 5% 1/4W F	R832	1-249-425-11	CARBON	4.7K 5% 1/4W
△R664	1-234-182-11	ENCAPSULATED COMPONENT	0.22 5W F (EXCEPT DB1080: AEP, UK)	R833	1-247-903-00	CARBON	1M 5% 1/4W
△R664	1-234-572-21	ENCAPSULATED COMPONENT	0.22 5W F (DB1080: AEP, UK)	R836	1-249-429-11	CARBON	10K 5% 1/4W
△R666	1-249-393-11	CARBON	10 5% 1/4W F	R837	1-249-429-11	CARBON	10K 5% 1/4W
△R667	1-249-393-11	CARBON	10 5% 1/4W F	R838	1-249-421-11	CARBON	2.2K 5% 1/4W
R671	1-243-163-22	CARBON	100K 5% 1/4W (DB1080: AEP, UK)	R839	1-249-429-11	CARBON	10K 5% 1/4W
R671	1-249-441-11	CARBON	100K 5% 1/4W (EXCEPT DB1080: AEP, UK)	△R840	1-249-399-11	CARBON	33 5% 1/4W F
R701	1-249-427-11	CARBON	6.8K 5% 1/4W	△R841	1-249-399-11	CARBON	33 5% 1/4W F
R702	1-243-115-22	CARBON	1K 5% 1/4W (DB1080: AEP, UK)	△R845	1-249-399-11	CARBON	33 5% 1/4W F
R702	1-249-417-11	CARBON	1K 5% 1/4W (EXCEPT DB1080: AEP, UK)	△R846	1-249-399-11	CARBON	33 5% 1/4W F
R703	1-243-163-22	CARBON	100K 5% 1/4W (DB1080: AEP, UK)	R847	1-249-421-11	CARBON	2.2K 5% 1/4W
R703	1-249-441-11	CARBON	100K 5% 1/4W (EXCEPT DB1080: AEP, UK)	R848	1-249-429-11	CARBON	10K 5% 1/4W
R721	1-243-163-22	CARBON	100K 5% 1/4W (DB1080: AEP, UK)	△R849	1-249-393-11	CARBON	10 5% 1/4W F
R721	1-249-441-11	CARBON	100K 5% 1/4W (EXCEPT DB1080: AEP, UK)	< RELAY >			
R732	1-249-441-11	CARBON	100K 5% 1/4W (EXCEPT DB1080: AEP, UK)	RY801	1-515-920-11	RELAY (24V)	
△R790	1-249-393-11	CARBON	10 5% 1/4W F	RY803	1-515-920-11	RELAY (24V)	
△R791	1-215-873-81	METAL OXIDE	4.7K 5% 1W F	RY805	1-515-793-11	RELAY	
R792	1-249-413-11	CARBON	470 5% 1/4W	RY806	1-515-920-11	RELAY (24V)	
△R795	1-249-393-11	CARBON	10 5% 1/4W F	RY807	1-755-483-11	RELAY	
R796	1-249-425-11	CARBON	4.7K 5% 1/4W	< TERMINAL >			
R797	1-249-413-11	CARBON	470 5% 1/4W	TM501	1-694-935-11	TERMINAL BOARD (SP) (8P) (SPEAKERS SURROUND/CENTER/SURROUND BACK)	(DA2ES)
R812	1-249-421-11	CARBON	2.2K 5% 1/4W	TM501	1-694-935-21	TERMINAL BOARD (SP) (8P) (SPEAKERS SURROUND/CENTER/SURROUND BACK)	(DB1080)
R813	1-249-421-11	CARBON	2.2K 5% 1/4W	*****			
R814	1-249-421-11	CARBON	2.2K 5% 1/4W		1-685-267-11	MIX BOARD	*****
				< CAPACITOR >			
				C753	1-127-876-11	CERAMIC	0.01uF 10% 50V
				C754	1-128-809-11	CERAMIC	100PF 5% 50V
				C755	1-126-965-11	ELECT	22uF 20% 50V (DA2ES)
				C755	1-128-858-11	ELECT	22uF 20% 50V (DB1080: E, SP, MY, KR)
				C755	1-135-744-11	ELECT	22uF 50V (DB1080: AEP, UK)
				C765	1-126-965-11	ELECT	22uF 20% 50V (DA2ES)
				C765	1-128-858-11	ELECT	22uF 20% 50V (DB1080: SP, MY, KR)

<p>The components identified by mark △ or dotted line with mark △ are critical for safety. Replace only with part number specified.</p>	<p>Les composants identifiés par une marque △ sont critiques pour la sécurité. Ne les remplacer que par une pièce portant le numéro spécifié.</p>
---	---

STR-DA2ES/DB1080

MIX **MUTING** **POWER** **S-VIDEO**

Ref. No.	Part No.	Description	Remark
C765	1-135-744-11	ELECT 22uF	50V (DB1080: AEP, UK)
< CONNECTOR >			
CN751	1-779-439-11	PIN, BOARD TO BOARD (L TYPE) 13P	
< IC >			
IC751	8-759-590-10	IC TC9273F-012 (EL)	
IC752	8-759-636-74	IC M5218AP-22	
IC753	8-759-636-74	IC M5218AP-22	
< RESISTOR >			
R751	1-249-429-11	CARBON 10K	5% 1/4W
R752	1-249-431-11	CARBON 15K	5% 1/4W
R753	1-249-425-11	CARBON 4.7K	5% 1/4W
R754	1-249-429-11	CARBON 10K	5% 1/4W
R755	1-249-429-11	CARBON 10K	5% 1/4W
R756	1-249-429-11	CARBON 10K	5% 1/4W
R757	1-249-399-11	CARBON 33	5% 1/4W
R758	1-249-417-11	CARBON 1K	5% 1/4W
R759	1-249-431-11	CARBON 15K	5% 1/4W
R761	1-249-429-11	CARBON 10K	5% 1/4W
R762	1-249-431-11	CARBON 15K	5% 1/4W
R763	1-249-425-11	CARBON 4.7K	5% 1/4W
R764	1-249-429-11	CARBON 10K	5% 1/4W
R765	1-249-429-11	CARBON 10K	5% 1/4W
R766	1-249-429-11	CARBON 10K	5% 1/4W
R767	1-249-399-11	CARBON 33	5% 1/4W
R769	1-249-431-11	CARBON 15K	5% 1/4W

1-684-332-11 MUTING BOARD

< CONNECTOR >

* CN1951 1-695-808-11 CONNECTOR, PC BOARD 8P

< LED >

D1951 8-719-046-39 LED SEL5821A-TP15 (AUDIO SPLIT)

< RESISTOR >

R1951	1-249-417-11	CARBON 1K	5% 1/4W
R1952	1-249-421-11	CARBON 2.2K	5% 1/4W
R1953	1-249-409-11	CARBON 220	5% 1/4W

< ROTARY ENCODER >

RV1951 1-467-808-21 ENCODER, ROTARY (FUNCTION)

< SWITCH >

S1951	1-762-875-21	SWITCH, KEYBOARD (INPUT MODE)	
S1952	1-762-875-21	SWITCH, KEYBOARD (AUDIO SPLIT)	
S1953	1-762-875-21	SWITCH, KEYBOARD (MUTING)	

Ref. No.	Part No.	Description	Remark
	1-684-333-11	POWER BOARD *****	
< CAPACITOR >			
C1901	1-126-947-11	ELECT 47uF	20% 16V
< CONNECTOR >			
CN1901	1-770-404-11	HOUSING, CONNECTOR (PC BOARD) 11P	
< DIODE >			
D1901	8-719-911-19	DIODE 1SS119-25 (EXCEPT DB1080: E)	
D1902	8-719-911-19	DIODE 1SS119-25 (EXCEPT DB1080: E)	
< IC >			
IC1901	8-759-826-34	IC NJL74H400A (REMOTE CONTROL RECEIVER)	
< RESISTOR >			
R1901	1-247-807-31	CARBON 100	5% 1/4W
R1902	1-249-393-11	CARBON 10	5% 1/4W
R1903	1-249-433-11	CARBON 22K	5% 1/4W
R1904	1-249-417-11	CARBON 1K	5% 1/4W
R1905	1-249-433-11	CARBON 22K	5% 1/4W
< SWITCH >			
S1901	1-762-268-11	SWITCH, ROTARY (SPEAKERS) (EXCEPT DB1080: E)	
S1901	1-786-151-11	SWITCH, ROTARY (SPEAKERS) (DB1080: E)	
S1902	1-762-875-21	SWITCH, KEYBOARD (DIMMER)	
S1903	1-762-875-21	SWITCH, KEYBOARD (DISPLAY)	
S1904	1-762-875-21	SWITCH, KEYBOARD (I/⏻)	

A-4728-488-A S-VIDEO BOARD, COMPLETE (DA2ES)
A-4728-504-A S-VIDEO BOARD, COMPLETE (DB1080)

< CAPACITOR >

C852	1-128-805-11	CERAMIC 47PF	5% 50V
C853	1-128-805-11	CERAMIC 47PF	5% 50V
C854	1-128-825-11	CERAMIC 2200PF	5% 50V
C855	1-136-165-00	MYLAR 0.1uF	5% 50V
C856	1-136-165-00	MYLAR 0.1uF	5% 50V
C857	1-136-165-00	MYLAR 0.1uF	5% 50V
C858	1-126-964-11	ELECT 10uF	20% 50V
C859	1-126-964-11	ELECT 10uF	20% 50V
C860	1-126-964-11	ELECT 10uF	20% 50V
C861	1-128-825-11	CERAMIC 2200PF	5% 50V
C862	1-128-825-11	CERAMIC 2200PF	5% 50V
C863	1-127-888-11	CERAMIC 0.1uF	10% 50V
C864	1-136-165-00	MYLAR 0.1uF	5% 50V
C865	1-128-817-11	CERAMIC 470PF	5% 50V
C866	1-126-947-11	ELECT 47uF	20% 16V (DA2ES) (DA2ES)
C867	1-127-888-11	CERAMIC 0.1uF	10% 50V
C868	1-128-817-11	CERAMIC 470PF	5% 50V (DA2ES)

S-VIDEO

SP

Ref. No.	Part No.	Description	Remark	Ref. No.	Part No.	Description	Remark
C869	1-127-888-11	CERAMIC	0.1uF 10% 50V	R866	1-249-427-11	CARBON	6.8K 5% 1/4W (DA2ES)
C870	1-126-964-11	ELECT	10uF 20% 50V	R867	1-249-429-11	CARBON	10K 5% 1/4W (DA2ES)
C872	1-127-888-11	CERAMIC	0.1uF 10% 50V	R868	1-249-427-11	CARBON	6.8K 5% 1/4W (DA2ES)
< CONNECTOR >				R869	1-249-429-11	CARBON	10K 5% 1/4W (DA2ES)
* CN851	1-569-306-11	SOCKET, CONNECTOR (L TYRE) 15P (DB1080)		R872	1-247-807-31	CARBON	100 5% 1/4W (DA2ES)
CN851	1-569-308-11	SOCKET, CONNECTOR (L TYRE) 19P (DA2ES)		R873	1-249-429-11	CARBON	10K 5% 1/4W (DA2ES)
* CN853	1-564-720-11	PIN, CONNECTOR (SMALL TYPE) 4P		R874	1-247-807-31	CARBON	100 5% 1/4W (DA2ES)
< DIODE >				*****			
D850	8-719-911-19	DIODE 1SS119-25		1-684-338-11	SP BOARD		
D851	8-719-911-19	DIODE 1SS119-25			*****		
< IC >				< CAPACITOR >			
IC850	6-701-890-01	IC NJM2595D		C445	1-128-809-11	CERAMIC	100PF 5% 50V (DA2ES/DB1080: AEP, UK)
IC851	8-759-666-33	IC NJM2145D (DA2ES)		C445	1-128-817-11	CERAMIC	470PF 5% 50V (DB1080: E, SP, MY, KR)
IC852	6-701-890-01	IC NJM2595D		C446	1-127-872-11	CERAMIC	4700PF 10% 50V (DB1080)
< CONNECTOR/JACK >				C449	1-126-965-11	ELECT	22uF 20% 50V (EXCEPT DB1080: AEP, UK)
J850	1-764-676-11	CONNECTOR (ROUND TYPE) (TV/SAT S-VIDEO IN), DVD/LD S-VIDEO IN)		C449	1-128-858-11	ELECT	22uF 20% 50V (DB1080: AEP, UK)
J851	1-537-943-11	CONNECTOR (DIN) 1P (MONITOR S-VIDEO IN)		C495	1-128-809-11	CERAMIC	100PF 5% 50V (DA2ES/DB1080: AEP, UK)
J852	1-764-676-11	CONNECTOR (ROUND TYPE) (VIDEO 1 S-VIDEO IN/OUT)		C495	1-128-817-11	CERAMIC	470PF 5% 50V (DB1080: E, SP, MY, KR)
J853	1-563-330-11	JACK (VIDEO 1 CTRL S OUT) (DA2ES)		C496	1-127-872-11	CERAMIC	4700PF 10% 50V (DB1080)
J854	1-563-330-11	JACK (DVD/LD CTRL S OUT) (DA2ES)		C497	1-128-809-11	CERAMIC	100PF 5% 50V
J855	1-563-330-11	JACK (TV/SAT CTRL S STATUS IN) (DA2ES)		C499	1-126-965-11	ELECT	22uF 20% 50V (EXCEPT DB1080: AEP, UK)
J856	1-563-330-11	JACK (MONITOR CTRL S OUT) (DA2ES)		C499	1-128-858-11	ELECT	22uF 20% 50V (DB1080: AEP, UK)
< TRANSISTOR >				C549	1-126-965-11	ELECT	22uF 20% 50V (EXCEPT DB1080: AEP, UK)
Q850	8-729-116-02	TRANSISTOR BA1A4M-TP (DA2ES)		C549	1-128-858-11	ELECT	22uF 20% 50V (DB1080: AEP, UK)
Q851	8-729-422-57	TRANSISTOR UN4111 (DA2ES)		C599	1-126-965-11	ELECT	22uF 20% 50V (EXCEPT DB1080: AEP, UK)
Q852	8-729-422-57	TRANSISTOR UN4111 (DA2ES)		C599	1-128-858-11	ELECT	22uF 20% 50V (DB1080: AEP, UK)
Q853	8-729-116-02	TRANSISTOR BA1A4M-TP (DA2ES)		C649	1-126-965-11	ELECT	22uF 20% 50V (EXCEPT DB1080: AEP, UK)
< RESISTOR >				C649	1-128-858-11	ELECT	22uF 20% 50V (DB1080: AEP, UK)
R850	1-249-417-11	CARBON	1K 5% 1/4W (DA2ES)	C699	1-126-965-11	ELECT	22uF 20% 50V (EXCEPT DB1080: AEP, UK)
R851	1-249-417-11	CARBON	1K 5% 1/4W (DA2ES)	C699	1-128-858-11	ELECT	22uF 20% 50V (DB1080: AEP, UK)
R852	1-249-417-11	CARBON	1K 5% 1/4W (DA2ES)	< DIODE >			
R853	1-249-417-11	CARBON	1K 5% 1/4W (DA2ES)	D448	8-719-911-19	DIODE 1SS119-25	
R854	1-247-804-11	CARBON	75 5% 1/4W	D449	8-719-911-19	DIODE 1SS119-25	
R855	1-247-804-11	CARBON	75 5% 1/4W	< CONNECTOR/JACK >			
R856	1-247-804-11	CARBON	75 5% 1/4W	J850	1-764-676-11	CONNECTOR (ROUND TYPE) (TV/SAT S-VIDEO IN), DVD/LD S-VIDEO IN)	
R857	1-247-804-11	CARBON	75 5% 1/4W	J851	1-537-943-11	CONNECTOR (DIN) 1P (MONITOR S-VIDEO IN)	
R858	1-247-804-11	CARBON	75 5% 1/4W	J852	1-764-676-11	CONNECTOR (ROUND TYPE) (VIDEO 1 S-VIDEO IN/OUT)	
R859	1-247-804-11	CARBON	75 5% 1/4W	J853	1-563-330-11	JACK (VIDEO 1 CTRL S OUT) (DA2ES)	
R860	1-247-804-11	CARBON	75 5% 1/4W	J854	1-563-330-11	JACK (DVD/LD CTRL S OUT) (DA2ES)	
R861	1-247-804-11	CARBON	75 5% 1/4W	J855	1-563-330-11	JACK (TV/SAT CTRL S STATUS IN) (DA2ES)	
R862	1-247-804-11	CARBON	75 5% 1/4W	J856	1-563-330-11	JACK (MONITOR CTRL S OUT) (DA2ES)	
R863	1-247-804-11	CARBON	75 5% 1/4W	< TRANSISTOR >			
R864	1-249-425-11	CARBON	4.7K 5% 1/4W (DA2ES)	Q850	8-729-116-02	TRANSISTOR BA1A4M-TP (DA2ES)	
R865	1-249-429-11	CARBON	10K 5% 1/4W (DA2ES)	Q851	8-729-422-57	TRANSISTOR UN4111 (DA2ES)	

The components identified by mark \triangle or dotted line with mark \triangle are critical for safety. Replace only with part number specified.

Les composants identifiés par une marque \triangle sont critiques pour la sécurité. Ne les remplacer que par une pièce portant le numéro spécifié.

STR-DA2ES/DB1080

SP **SP-B** **SW**

Ref. No.	Part No.	Description	Remark			
< JACK >						
J449	1-766-396-11	JACK, PIN 4P (PRE OUT FRONT/SURROUND)				
J699	1-784-017-11	JACK, PIN 4P (PRE OUT CENTER/ SURROUND BACK, SUB WOOFER OUT)				
< RESISTOR >						
△ R446	1-249-393-11	CARBON	10	5%	1/4W F	(DB1080)
△ R447	1-249-393-11	CARBON	10	5%	1/4W F	
R448	1-249-417-11	CARBON	1K	5%	1/4W	
R449	1-249-441-11	CARBON	100K	5%	1/4W	
△ R496	1-249-393-11	CARBON	10	5%	1/4W F	(DB1080)
△ R497	1-249-393-11	CARBON	10	5%	1/4W F	
R498	1-249-417-11	CARBON	1K	5%	1/4W	
R499	1-249-441-11	CARBON	100K	5%	1/4W	
R548	1-249-417-11	CARBON	1K	5%	1/4W	
R549	1-249-441-11	CARBON	100K	5%	1/4W	
R598	1-249-417-11	CARBON	1K	5%	1/4W	
R599	1-249-441-11	CARBON	100K	5%	1/4W	
R648	1-249-417-11	CARBON	1K	5%	1/4W	
R649	1-249-441-11	CARBON	100K	5%	1/4W	
R698	1-249-417-11	CARBON	1K	5%	1/4W	
R699	1-249-441-11	CARBON	100K	5%	1/4W	
R748	1-243-115-22	CARBON	1K	5%	1/4W	(DB1080: AEP, UK)
R748	1-249-417-11	CARBON	1K	5%	1/4W	(EXCEPT DB1080: AEP, UK)
< RELAY >						
RY448	1-515-920-11	RELAY (24V)				
RY449	1-755-485-11	RELAY				
RY549	1-755-485-11	RELAY				
RY699	1-755-485-11	RELAY				
< TERMINAL >						
TM449	1-694-933-11	TERMINAL BOARD (4P) (FRONT A SPEAKERS)				(DA2ES)
TM449	1-694-933-21	TERMINAL BOARD (4P) (FRONT A SPEAKERS)				(DB1080)

	1-685-199-11	SP-B BOARD (EXCEPT DB1080: E)				*****
< CAPACITOR >						
C443	1-127-872-11	CERAMIC	4700PF	10%	50V	(EXCEPT DA2ES/DB1080: KR)
C444	1-128-809-11	CERAMIC	100PF	5%	50V	(DA2ES)
C444	1-128-817-11	CERAMIC	470PF	5%	50V	(EXCEPT DA2ES/DB1080: KR)
C493	1-127-872-11	CERAMIC	4700PF	10%	50V	(EXCEPT DA2ES/DB1080: KR)
C494	1-128-809-11	CERAMIC	100PF	5%	50V	(DA2ES)
C494	1-128-817-11	CERAMIC	470PF	5%	50V	(EXCEPT DA2ES/DB1080: KR)

Ref. No.	Part No.	Description	Remark			
< CONNECTOR >						
CN444	1-691-769-11	PLUG (MICRO CONNECTOR) 7P				(EXCEPT DB1080: E)
< DIODE >						
D444	8-719-911-19	DIODE 1SS119-25 (EXCEPT DB1080: E)				
< TRANSISTOR >						
Q444	8-729-119-78	TRANSISTOR 2SC2785-HFE				(EXCEPT DB1080: E)
< RESISTOR >						
R441	1-249-429-11	CARBON	10K	5%	1/4W	(EXCEPT DB1080: E)
R442	1-249-421-11	CARBON	2.2K	5%	1/4W	(EXCEPT DB1080: E)
△ R443	1-249-393-11	CARBON	10	5%	1/4W F	(EXCEPT DA2ES/DB1080: E)
△ R444	1-249-393-11	CARBON	10	5%	1/4W F	(EXCEPT DB1080: E)
△ R493	1-249-393-11	CARBON	10	5%	1/4W F	(EXCEPT DA2ES/DB1080: E)
< RELAY >						
RY444	1-515-920-11	RELAY (24V) (EXCEPT DB1080: E)				
< TERMINAL >						
TM444	1-537-925-52	TERMINAL BOARD (FRONT B SPEAKERS)				(EXCEPT DB1080: E)

	A-4728-475-A	SW BOARD, COMPLETE				*****
< CONNECTOR >						
CN1051	1-770-404-11	HOUSING, CONNECTOR (PC BOARD) 11P				
< RESISTOR >						
R1052	1-249-417-11	CARBON	1K	5%	1/4W	
R1053	1-249-421-11	CARBON	2.2K	5%	1/4W	
R1054	1-249-421-11	CARBON	2.2K	5%	1/4W	
R1055	1-249-425-11	CARBON	4.7K	5%	1/4W	
R1056	1-249-429-11	CARBON	10K	5%	1/4W	
R1057	1-249-433-11	CARBON	22K	5%	1/4W	
R1058	1-249-437-11	CARBON	47K	5%	1/4W	
R1062	1-249-417-11	CARBON	1K	5%	1/4W	
R1063	1-249-421-11	CARBON	2.2K	5%	1/4W	
R1064	1-249-421-11	CARBON	2.2K	5%	1/4W	
R1065	1-249-425-11	CARBON	4.7K	5%	1/4W	
R1066	1-249-429-11	CARBON	10K	5%	1/4W	
R1067	1-249-433-11	CARBON	22K	5%	1/4W	
R1068	1-249-437-11	CARBON	47K	5%	1/4W	
R1073	1-249-421-11	CARBON	2.2K	5%	1/4W	
R1074	1-249-421-11	CARBON	2.2K	5%	1/4W	
R1075	1-249-425-11	CARBON	4.7K	5%	1/4W	
R1076	1-249-429-11	CARBON	10K	5%	1/4W	
R1077	1-249-433-11	CARBON	22K	5%	1/4W	
R1084	1-249-421-11	CARBON	2.2K	5%	1/4W	

The components identified by mark △ or dotted line with mark △ are critical for safety. Replace only with part number specified.	Les composants identifiés par une marque △ sont critiques pour la sécurité. Ne les remplacer que par une pièce portant le numéro spécifié.
--	--

STR-DA2ES/DB1080

UP CONVERT

V3-OPT

VIDEO

Ref. No.	Part No.	Description	Remark
JW3122	1-216-295-11	SHORT CHIP	0
JW3123	1-216-295-11	SHORT CHIP	0
< COIL >			
L3100	1-412-064-11	INDUCTOR	100uH
L3101	1-412-011-31	INDUCTOR	27uH
L3102	1-412-064-11	INDUCTOR	100uH
L3103	1-412-011-31	INDUCTOR	27uH
L3104	1-412-011-31	INDUCTOR	27uH
L3105	1-414-194-11	INDUCTOR	33uH
< TRANSISTOR >			
Q3100	8-729-230-49	TRANSISTOR	2SC2712-YG
Q3101	8-729-230-49	TRANSISTOR	2SC2712-YG
Q3102	8-729-216-22	TRANSISTOR	2SA1162-G
Q3103	8-729-230-49	TRANSISTOR	2SC2712-YG
Q3104	8-729-230-49	TRANSISTOR	2SC2712-YG
Q3105	8-729-230-49	TRANSISTOR	2SC2712-YG
Q3106	8-729-216-22	TRANSISTOR	2SA1162-G
Q3107	8-729-216-22	TRANSISTOR	2SA1162-G
Q3108	8-729-230-49	TRANSISTOR	2SC2712-YG
Q3109	8-729-230-49	TRANSISTOR	2SC2712-YG
Q3110	8-729-230-49	TRANSISTOR	2SC2712-YG
Q3111	8-729-216-22	TRANSISTOR	2SA1162-G
Q3112	8-729-216-22	TRANSISTOR	2SA1162-G
< RESISTOR >			
R3101	1-216-051-00	METAL CHIP	1.2K 5% 1/10W
R3102	1-216-069-00	METAL CHIP	6.8K 5% 1/10W
R3103	1-216-043-00	RES-CHIP	560 5% 1/10W
R3104	1-216-051-00	METAL CHIP	1.2K 5% 1/10W
R3105	1-216-047-00	RES-CHIP	820 5% 1/10W
R3106	1-216-047-00	RES-CHIP	820 5% 1/10W
R3107	1-216-075-00	METAL CHIP	12K 5% 1/10W
R3108	1-216-043-00	RES-CHIP	560 5% 1/10W
R3110	1-216-047-00	RES-CHIP	820 5% 1/10W
R3111	1-216-047-00	RES-CHIP	820 5% 1/10W
R3112	1-216-043-00	RES-CHIP	560 5% 1/10W
R3113	1-216-051-00	METAL CHIP	1.2K 5% 1/10W
R3114	1-216-069-00	METAL CHIP	6.8K 5% 1/10W
R3115	1-216-043-00	RES-CHIP	560 5% 1/10W
R3116	1-216-051-00	METAL CHIP	1.2K 5% 1/10W
R3117	1-216-047-00	RES-CHIP	820 5% 1/10W
R3118	1-216-025-11	RES-CHIP	100 5% 1/10W
R3120	1-216-075-00	METAL CHIP	12K 5% 1/10W
R3121	1-216-043-00	RES-CHIP	560 5% 1/10W
R3122	1-260-354-71	CARBON	150 5% 1/2W
R3123	1-216-047-00	RES-CHIP	820 5% 1/10W
R3124	1-216-043-00	RES-CHIP	560 5% 1/10W
R3125	1-216-051-00	METAL CHIP	1.2K 5% 1/10W
R3126	1-216-069-00	METAL CHIP	6.8K 5% 1/10W
R3127	1-216-043-00	RES-CHIP	560 5% 1/10W
R3128	1-216-051-00	METAL CHIP	1.2K 5% 1/10W
R3129	1-216-047-00	RES-CHIP	820 5% 1/10W
R3130	1-216-025-11	RES-CHIP	100 5% 1/10W
R3131	1-216-039-00	METAL CHIP	390 5% 1/10W
R3132	1-216-075-00	METAL CHIP	12K 5% 1/10W

Ref. No.	Part No.	Description	Remark
R3133	1-216-043-00	RES-CHIP	560 5% 1/10W
R3134	1-260-354-71	CARBON	150 5% 1/2W
R3136	1-216-073-00	RES-CHIP	10K 5% 1/10W
R3137	1-216-073-00	RES-CHIP	10K 5% 1/10W
R3138	1-216-067-00	METAL CHIP	5.6K 5% 1/10W
R3139	1-216-077-00	RES-CHIP	15K 5% 1/10W
R3140	1-216-121-11	RES-CHIP	1M 5% 1/10W
R3141	1-216-039-00	METAL CHIP	390 5% 1/10W
R3142	1-216-022-00	METAL CHIP	75 5% 1/10W
R3143	1-216-022-00	METAL CHIP	75 5% 1/10W
R3144	1-216-049-11	RES-CHIP	1K 5% 1/10W
R3145	1-216-045-00	METAL CHIP	680 5% 1/10W
R3146	1-216-035-00	METAL CHIP	270 5% 1/10W
< VIBRATOR >			
X3100	1-781-342-21	OSCILLATOR, CRYSTAL (3.5795MHz)	

	1-684-337-11	V3-OPT BOARD	

< CAPACITOR >			
C289	1-127-888-11	CERAMIC	0.1uF 10% 50V
< CONNECTOR >			
* CN289	1-564-719-11	PIN, CONNECTOR (SMALL TYPE) 3P	
< IC >			
IC289	6-600-057-01	IC TORX141PL (DIGITAL (OPTICAL))	
< RESISTOR >			
R289	1-247-807-31	CARBON	100 5% 1/4W

A-4728-487-A	VIDEO BOARD, COMPLETE (DA2ES)		
A-4728-503-A	VIDEO BOARD, COMPLETE		
(DB1080: E, SP, MY)			
A-4728-522-A	VIDEO BOARD, COMPLETE (DB1080: AEP, UK)		
A-4730-111-A	VIDEO BOARD, COMPLETE (DB1080: KR)		

< CAPACITOR >			
C301	1-127-868-11	CERAMIC	2200PF 10% 50V (EXCEPT DB1080: AEP, UK)
C308	1-126-964-11	ELECT	10uF 20% 50V (EXCEPT DB1080: AEP, UK)
C309	1-126-964-11	ELECT	10uF 20% 50V (EXCEPT DB1080: AEP, UK)
C310	1-126-964-11	ELECT	10uF 20% 50V (EXCEPT DB1080: AEP, UK)
C311	1-126-964-11	ELECT	10uF 20% 50V (EXCEPT DB1080: AEP, UK)
C312	1-126-964-11	ELECT	10uF 20% 50V (EXCEPT DB1080: AEP, UK)
C313	1-126-964-11	ELECT	10uF 20% 50V (EXCEPT DB1080: AEP, UK)
C314	1-126-935-11	ELECT	470uF 20% 10V
C315	1-126-916-11	ELECT	1000uF 20% 6.3V (DA2ES)

Ref. No.	Part No.	Description	Remark			Ref. No.	Part No.	Description	Remark		
C315	1-126-935-11	ELECT	470uF	20%	10V (DB1080)	C380	1-127-888-11	CERAMIC	0.1uF	10%	50V (EXCEPT DB1080: AEP, UK)
C318	1-126-960-11	ELECT	1uF	20%	50V	C381	1-127-888-11	CERAMIC	0.1uF	10%	50V (EXCEPT DB1080: AEP, UK)
C319	1-127-888-11	CERAMIC	0.1uF	10%	50V	C382	1-127-888-11	CERAMIC	0.1uF	10%	50V (EXCEPT DB1080: AEP, UK)
C320	1-128-802-11	CERAMIC	27PF	5%	50V (EXCEPT DA2ES/DB1080: KR)	C384	1-127-888-11	CERAMIC	0.1uF	10%	50V
C322	1-162-199-31	CERAMIC	10PF	5%	50V	C390	1-126-965-11	ELECT	22uF	20%	50V (DA2ES)
C323	1-128-803-11	CERAMIC	33PF	5%	50V	C392	1-126-964-11	ELECT	10uF	20%	50V (DA2ES)
C324	1-127-888-11	CERAMIC	0.1uF	10%	50V	C393	1-126-964-11	ELECT	10uF	20%	50V (DA2ES)
C325	1-128-803-11	CERAMIC	33PF	5%	50V	< CONNECTOR >					
C326	1-162-201-31	CERAMIC	12PF	5%	50V	CN301	1-569-323-11	SOCKET, CONNECTOR 19P (DA2ES)			
C328	1-127-888-11	CERAMIC	0.1uF	10%	50V	CN301	1-569-321-11	SOCKET, CONNECTOR 15P (DB1080)			
C329	1-128-809-11	CERAMIC	100PF	5%	50V	CN302	1-564-505-11	PLUG, CONNECTOR 2P			
C330	1-126-964-11	ELECT	10uF	20%	50V	CN303	1-569-324-11	SOCKET, CONNECTOR 21P (DA2ES)			
C331	1-126-964-11	ELECT	10uF	20%	50V	CN303	1-569-321-11	SOCKET, CONNECTOR 15P (DB1080)			
C332	1-127-888-11	CERAMIC	0.1uF	10%	50V (EXCEPT DA2ES/DB1080: KR)	* CN306	1-564-720-11	PIN, CONNECTOR (SMALL TYPE) 4P			
C333	1-127-888-11	CERAMIC	0.1uF	10%	50V	CN390	1-766-600-21	CONNECTOR, BOARD TO BOARD 7P (DA2ES/DB1080: KR)			
C335	1-128-805-11	CERAMIC	47PF	5%	50V	< TRIMMER >					
C336	1-128-805-11	CERAMIC	47PF	5%	50V	CT301	1-141-442-11	CAP, CERAMIC TRIMMER (EXCEPT DA2ES/DB1080: KR)			
C337	1-128-805-11	CERAMIC	47PF	5%	50V	CT302	1-141-442-11	CAP, CERAMIC TRIMMER			
C339	1-127-888-11	CERAMIC	0.1uF	10%	50V	CT303	1-141-442-91	CAP, CERAMIC TRIMMER			
C340	1-126-927-11	ELECT	2200uF	20%	10V	< DIODE >					
C341	1-127-888-11	CERAMIC	0.1uF	10%	50V	D301	8-719-911-19	DIODE 1SS119-25			
C342	1-128-805-11	CERAMIC	47PF	5%	50V	D303	8-719-911-19	DIODE 1SS119-25			
C343	1-128-805-11	CERAMIC	47PF	5%	50V	D304	8-719-911-19	DIODE 1SS119-25			
C344	1-128-805-11	CERAMIC	47PF	5%	50V	D390	8-719-911-19	DIODE 1SS119-25 (DA2ES)			
C345	1-128-805-11	CERAMIC	47PF	5%	50V	< FERRITE BEAD >					
C346	1-126-964-11	ELECT	10uF	20%	50V	FB303	1-412-911-11	FERRITE	0uH		
C347	1-126-964-11	ELECT	10uF	20%	50V	< FILTER >					
C348	1-126-964-11	ELECT	10uF	20%	50V	FL301	1-424-543-11	FILTER, NOISE (EXCEPT DA2ES/DB1080: KR)			
C349	1-126-964-11	ELECT	10uF	20%	50V	FL302	1-424-543-11	FILTER, NOISE			
C350	1-127-888-11	CERAMIC	0.1uF	10%	50V (EXCEPT DA2ES/DB1080: KR)	FL303	1-424-543-11	FILTER, NOISE (EXCEPT DA2ES/DB1080: KR)			
C351	1-127-868-11	CERAMIC	2200PF	10%	50V	FL304	1-416-300-21	FILTER, NOISE			
C352	1-127-868-11	CERAMIC	2200PF	10%	50V	FL305	1-416-300-21	FILTER, NOISE			
C353	1-127-868-11	CERAMIC	2200PF	10%	50V	< IC >					
C354	1-127-888-11	CERAMIC	0.1uF	10%	50V	IC301	6-701-891-01	IC NJM2581D (EXCEPT DB1080: AEP, UK)			
C355	1-126-964-11	ELECT	10uF	20%	50V	IC303	8-759-231-66	IC TC74HC4053AP (EXCEPT DB1080: AEP, UK)			
C358	1-127-888-11	CERAMIC	0.1uF	10%	50V	IC304	8-759-917-18	IC SN74HCU04AN			
C359	1-127-888-11	CERAMIC	0.1uF	10%	50V (EXCEPT DA2ES/DB1080: KR)	IC305	8-759-666-34	IC BA7622			
C361	1-126-916-11	ELECT	1000uF	20%	6.3V (EXCEPT DA2ES/DB1080: KR)	IC306	8-759-232-01	IC TC74HC00AP (EXCEPT DA2ES/DB1080: KR)			
C362	1-126-964-11	ELECT	10uF	20%	50V	IC307	6-700-367-01	IC MB90089PF-G-238-BND			
C363	1-126-964-11	ELECT	10uF	20%	50V	IC308	6-701-890-01	IC NJM2595D			
C366	1-126-964-11	ELECT	10uF	20%	50V	IC309	8-759-822-05	IC LA7213 (EXCEPT DA2ES/DB1080: KR)			
C370	1-127-888-11	CERAMIC	0.1uF	10%	50V (EXCEPT DA2ES/DB1080: KR)	IC310	8-759-243-51	IC TC74ACT08P			
C373	1-127-888-11	CERAMIC	0.1uF	10%	50V	IC311	8-759-822-05	IC LA7213 (EXCEPT DA2ES/DB1080: KR)			
C372	1-126-916-11	ELECT	1000uF	20%	6.3V (EXCEPT DA2ES/DB1080: KR)						
C374	1-127-888-11	CERAMIC	0.1uF	10%	50V						
C375	1-126-964-11	ELECT	10uF	20%	50V						
C376	1-126-960-11	ELECT	1uF	20%	50V (EXCEPT DA2ES/DB1080: KR)						
C377	1-127-888-11	CERAMIC	0.1uF	10%	50V						
C379	1-127-888-11	CERAMIC	0.1uF	10%	50V (EXCEPT DB1080: AEP, UK)						

VIDEO

Ref. No.	Part No.	Description	Remark	Ref. No.	Part No.	Description	Remark
< JACK >				R329	1-249-393-11	CARBON	10 5% 1/4W
J301	1-816-592-11	JACK, PIN 9P(COMPONENT VIDEO MONITOR OUT, TV/SAT IN, DVD/LD IN) (EXCEPT DB1080: AEP, UK)		R330	1-249-393-11	CARBON	10 5% 1/4W
J302	1-774-227-11	JACK, PIN 1P (MONITOR OUT VIDEO)		R331	1-249-417-11	CARBON	1K 5% 1/4W
J303	1-563-330-11	JACK (CONTROL A1 II)		R332	1-247-807-31	CARBON	100 5% 1/4W (EXCEPT DA2ES/DB1080: KR)
J304	1-770-337-11	JACK, PIN 3P (VIDEO 2 OUT VIDEO, VIDEO 1 IN/OUT VIDEO)		R333	1-249-425-11	CARBON	4.7K 5% 1/4W
J305	1-770-337-11	JACK, PIN 3P (TV/SAT IN VIDEO, DVD/LD IN VIDEO, VIDEO 2 OUT VIDEO)		R334	1-247-807-31	CARBON	100 5% 1/4W (DA2ES/DB1080: KR)
< COIL >				R335	1-247-804-11	CARBON	75 5% 1/4W (EXCEPT DA2ES/DB1080: KR)
L301	1-410-973-11	INDUCTOR 22uH		R336	1-247-804-11	CARBON	75 5% 1/4W (EXCEPT DA2ES/DB1080: KR)
< TRANSISTOR >				R338	1-247-804-11	CARBON	75 5% 1/4W
Q302	8-729-116-02	TRANSISTOR BA1A4M-TP (EXCEPT DB1080: AEP, UK)		R339	1-247-804-11	CARBON	75 5% 1/4W
Q304	8-729-119-79	TRANSISTOR 2SC2785-FEK		R340	1-247-804-11	CARBON	75 5% 1/4W
Q305	8-729-119-79	TRANSISTOR 2SC2785-FEK		R341	1-247-804-11	CARBON	75 5% 1/4W
Q390	8-729-201-53	TRANSISTOR 2SA1015-GR (DA2ES)		R342	1-247-804-11	CARBON	75 5% 1/4W
Q391	8-729-029-66	TRANSISTOR DTC114ESA (DA2ES)		R343	1-249-437-11	CARBON	47K 5% 1/4W
Q392	8-729-119-79	TRANSISTOR 2SC2785-FEK (DA2ES)		R344	1-247-804-11	CARBON	75 5% 1/4W
Q393	8-729-201-53	TRANSISTOR 2SA1015-GR (DA2ES)		R345	1-249-437-11	CARBON	47K 5% 1/4W
Q394	8-729-119-79	TRANSISTOR 2SC2785-FEK (DA2ES)		R346	1-247-804-11	CARBON	75 5% 1/4W
< RESISTOR >				R347	1-249-424-11	CARBON	3.9K 5% 1/4W
R301	1-247-804-11	CARBON	75 5% 1/4W (EXCEPT DB1080: AEP, UK)	R348	1-249-437-11	CARBON	47K 5% 1/4W
R302	1-247-804-11	CARBON	75 5% 1/4W (EXCEPT DB1080: AEP, UK)	R349	1-249-418-11	CARBON	1.2K 5% 1/4W
R303	1-247-804-11	CARBON	75 5% 1/4W (EXCEPT DB1080: AEP, UK)	R350	1-249-437-11	CARBON	47K 5% 1/4W
R304	1-247-804-11	CARBON	75 5% 1/4W (EXCEPT DB1080: AEP, UK)	R351	1-247-804-11	CARBON	75 5% 1/4W
R305	1-247-804-11	CARBON	75 5% 1/4W (EXCEPT DB1080: AEP, UK)	R352	1-249-411-11	CARBON	330 5% 1/4W (EXCEPT DA2ES/DB1080: KR)
R306	1-247-804-11	CARBON	75 5% 1/4W (EXCEPT DB1080: AEP, UK)	R353	1-247-883-00	CARBON	150K 5% 1/4W (EXCEPT DA2ES/DB1080: KR)
R307	1-247-804-11	CARBON	75 5% 1/4W (EXCEPT DB1080: AEP, UK)	R355	1-249-411-11	CARBON	330 5% 1/4W (EXCEPT DA2ES/DB1080: KR)
R309	1-247-804-11	CARBON	75 5% 1/4W (EXCEPT DB1080: AEP, UK)	R356	1-247-883-00	CARBON	150K 5% 1/4W (EXCEPT DA2ES/DB1080: KR)
R310	1-247-804-11	CARBON	75 5% 1/4W (EXCEPT DB1080: AEP, UK)	R357	1-247-807-31	CARBON	100 5% 1/4W (EXCEPT DB1080: AEP, UK)
R317	1-247-903-00	CARBON	1M 5% 1/4W (EXCEPT DA2ES/DB1080: KR)	R389	1-249-419-11	CARBON	1.5K 5% 1/4W (DA2ES)
R318	1-247-804-11	CARBON	75 5% 1/4W (EXCEPT DA2ES/DB1080: KR)	△ R390	1-249-381-11	CARBON	1 5% 1/4W F (DA2ES)
R319	1-249-411-11	CARBON	330 5% 1/4W (EXCEPT DA2ES/DB1080: KR)	R391	1-249-429-11	CARBON	10K 5% 1/4W (DA2ES)
R320	1-249-417-11	CARBON	1K 5% 1/4W	R392	1-249-421-11	CARBON	2.2K 5% 1/4W (DA2ES)
R321	1-249-417-11	CARBON	1K 5% 1/4W	R393	1-249-419-11	CARBON	1.5K 5% 1/4W (DA2ES)
R322	1-249-417-11	CARBON	1K 5% 1/4W	R394	1-249-429-11	CARBON	10K 5% 1/4W (DA2ES)
R323	1-247-804-11	CARBON	75 5% 1/4W (EXCEPT DA2ES/DB1080: KR)	R395	1-249-421-11	CARBON	2.2K 5% 1/4W (DA2ES)
R324	1-247-903-00	CARBON	1M 5% 1/4W	R396	1-249-429-11	CARBON	10K 5% 1/4W (DA2ES)
R325	1-249-429-11	CARBON	10K 5% 1/4W (EXCEPT DB1080: AEP, UK)	R397	1-249-417-11	CARBON	1K 5% 1/4W (DA2ES)
R327	1-249-411-11	CARBON	330 5% 1/4W	R398	1-249-417-11	CARBON	1K 5% 1/4W (DA2ES)
R328	1-247-807-31	CARBON	100 5% 1/4W	R399	1-249-409-11	CARBON	220 5% 1/4W (DA2ES)
< RELAY >				RY390	1-755-359-11	RELAY	

The components identified by mark △ or dotted line with mark △ are critical for safety. Replace only with part number specified.	Les composants identifiés par une marque △ sont critiques pour la sécurité. Ne les remplacer que par une pièce portant le numéro spécifié.
--	--

VIDEO

VIDEO 3

VIDEO.AU

Ref. No.	Part No.	Description	Remark	Ref. No.	Part No.	Description	Remark
		< VIBRATOR >		C189	1-127-868-11	CERAMIC 2200PF 10%	50V (DA2ES)
X301	1-781-820-21	VIBRATOR, CRYSTAL (17.734475MHz)		C190	1-126-965-11	ELECT 22uF 20%	50V (DA2ES)
		(EXCEPT DA2ES/DB1080: KR)		C191	1-126-965-11	ELECT 22uF 20%	50V (DA2ES)
X302	1-781-821-21	VIBRATOR, CRYSTAL (14.31818MHz)		C201	1-127-868-11	CERAMIC 2200PF 10%	50V

	1-684-336-11	VIDEO 3 BOARD		C202	1-127-868-11	CERAMIC 2200PF 10%	50V
		*****		C211	1-127-868-11	CERAMIC 2200PF 10%	50V
		< CAPACITOR >		C212	1-127-868-11	CERAMIC 2200PF 10%	50V
C293		CERAMIC 0.047uF 10%	50V	C213	1-128-809-11	CERAMIC 100PF 5%	50V
C294	1-127-880-11	CERAMIC 0.022uF 10%	50V	C214	1-127-876-11	CERAMIC 0.01uF 10%	50V
		< CONNECTOR >				< CONNECTOR >	
		< CONNECTOR >		* CN201	1-569-306-11	SOCKET, CONNECTOR (L TYRE) 15P	(DA2ES)
CN299	1-784-923-11	PIN, CONNECTOR 7P		CN201	1-568-441-11	SOCKET, CONNECTOR 9P	(DB1080)
		< TERMINAL >		* CN202	1-564-719-11	PIN, CONNECTOR (SMALL TYPE) 3P	
* EB299	1-537-738-21	TERMINAL, EARTH				< DIODE >	
		< JACK >		D171	8-719-911-19	DIODE 1SS119-25	(DA2ES)
J298	1-770-571-11	JACK BLOCK, PIN (L TYPE) 3P				< IC >	
		(VIDEO 3 INPUT VIDEO/AUDIO)		IC172	8-759-636-74	IC M5218AP-22	(DA2ES)
J299	1-784-808-11	TERMINAL, S (VIDEO 3 INPUT S-VIDEO)		IC173	8-759-835-76	IC TC94A07P	(DA2ES)
		< RESISTOR >		IC174	8-759-636-74	IC M5218AP-22	(DA2ES)
R295	1-247-804-11	CARBON 75 5%	1/4W	IC201	8-759-582-65	IC TC9273N-014	
R296	1-247-804-11	CARBON 75 5%	1/4W			< JACK >	
R298	1-249-417-11	CARBON 1K 5%	1/4W	J171	1-770-272-11	JACK, PIN 2P (2ND ROOU OUT VARIABLE)	(DA2ES)
R299	1-249-417-11	CARBON 1K 5%	1/4W	J201	1-774-411-11	JACK, PIN 6P (TV/SAT AUDIO IN,	

	A-4728-492-A	VIDEO.AU BOARD, COMPLETE	(DA2ES)	J202	1-774-411-11	JACK, PIN 6P (VIDEO 2 AUDIO IN,	VIDEO 1 AUDIO IN/OUT)
	A-4728-505-A	VIDEO.AU BOARD, COMPLETE	(DB1080)			< TRANSISTOR >	
		*****		Q171	8-729-119-79	TRANSISTOR 2SC2785-FEK	(DA2ES)
		< CAPACITOR >				< RESISTOR >	
C173	1-126-965-11	ELECT 22uF 20%	50V (DA2ES)	R171	1-249-425-11	CARBON 4.7K 5%	1/4W (DA2ES)
C174	1-126-965-11	ELECT 22uF 20%	50V (DA2ES)	R172	1-249-425-11	CARBON 4.7K 5%	1/4W (DA2ES)
C175	1-128-813-11	CERAMIC 220PF 5%	50V (DA2ES)	R173	1-247-807-31	CARBON 100 5%	1/4W (DA2ES)
C176	1-128-813-11	CERAMIC 220PF 5%	50V (DA2ES)	R174	1-247-807-31	CARBON 100 5%	1/4W (DA2ES)
C177	1-126-965-11	ELECT 22uF 20%	50V (DA2ES)	R175	1-249-437-11	CARBON 47K 5%	1/4W (DA2ES)
C178	1-126-965-11	ELECT 22uF 20%	50V (DA2ES)	R176	1-249-437-11	CARBON 47K 5%	1/4W (DA2ES)
C179	1-127-868-11	CERAMIC 2200PF 10%	50V (DA2ES)	R177	1-249-441-11	CARBON 100K 5%	1/4W (DA2ES)
C182	1-126-933-11	ELECT 100uF 20%	16V (DA2ES)	R178	1-249-441-11	CARBON 100K 5%	1/4W (DA2ES)
C183	1-126-933-11	ELECT 100uF 20%	16V (DA2ES)	R179	1-249-417-11	CARBON 1K 5%	1/4W (DA2ES)
C184	1-128-809-11	CERAMIC 100PF 5%	50V (DA2ES)	R180	1-249-417-11	CARBON 1K 5%	1/4W (DA2ES)
C188	1-127-868-11	CERAMIC 2200PF 10%	50V (DA2ES)				

STR-DA2ES/DB1080

VIDEO.AU

V.SWITCH

Ref. No.	Part No.	Description	Remark
△ R182	1-249-393-11	CARBON 10 5%	1/4W F (DA2ES)
R183	1-249-429-11	CARBON 10K 5%	1/4W (DA2ES)
R184	1-249-425-11	CARBON 4.7K 5%	1/4W (DA2ES)
R185	1-249-417-11	CARBON 1K 5%	1/4W (DA2ES)
R186	1-249-441-11	CARBON 100K 5%	1/4W (DA2ES)
R187	1-249-441-11	CARBON 100K 5%	1/4W (DA2ES)
R201	1-249-417-11	CARBON 1K 5%	1/4W
R202	1-249-417-11	CARBON 1K 5%	1/4W
R203	1-249-421-11	CARBON 2.2K 5%	1/4W
R204	1-249-417-11	CARBON 1K 5%	1/4W
R205	1-249-421-11	CARBON 2.2K 5%	1/4W
R206	1-249-417-11	CARBON 1K 5%	1/4W
R211	1-249-417-11	CARBON 1K 5%	1/4W
R251	1-249-417-11	CARBON 1K 5%	1/4W
R252	1-249-417-11	CARBON 1K 5%	1/4W
R253	1-249-421-11	CARBON 2.2K 5%	1/4W
R254	1-249-417-11	CARBON 1K 5%	1/4W
R255	1-249-421-11	CARBON 2.2K 5%	1/4W
R256	1-249-417-11	CARBON 1K 5%	1/4W
△ R842	1-249-399-11	CARBON 33 5%	1/4W F
△ R843	1-249-399-11	CARBON 33 5%	1/4W F
< RELAY >			
RY171	1-755-485-11	RELAY (DA2ES)	

	1-684-339-11	V.SWITCH BOARD (DB1080: E)	

	1-533-217-41	HOLDER, FUSE	
< CONNECTOR >			
CN49	1-568-106-11	PIN, CONNECTOR (3.96mm PITCH) 4P	
< SWITCH >			
△ VS49	1-571-437-21	SWITCH, POWER VOLTAGE CHANGE (VOLTAGE SELECTOR)	

MISCELLANEOUS			

64	1-765-352-11	WIRE (FLAT TYPE) (31 CORE)	
155	1-773-001-11	WIRE (FLAT TYPE) (15 CORE) (DB1080)	
155	1-773-105-11	WIRE (FLAT TYPE) (19 CORE) (DA2ES)	
157	1-773-003-11	WIRE (FLAT TYPE) (15 CORE) (DB1080)	
157	1-773-143-11	WIRE (FLAT TYPE) (21 CORE) (DA2ES)	
201	1-773-001-11	WIRE (FLAT TYPE) (15 CORE) (DB1080: AEP, UK)	
201	1-769-937-11	WIRE (FLAT TYPE) (11 CORE) (EXCEPT DB1080: AEP, UK)	
202	1-769-905-11	WIRE (FLAT TYPE) (9 CORE) (DB1080)	
202	1-773-002-11	WIRE (FLAT TYPE) (15 CORE) (DA2ES)	
△ 256	1-769-079-21	CORD, POWER (KR)	

Ref. No.	Part No.	Description	Remark
△ 256	1-769-743-11	CORD, POWER (CND)	
△ 256	1-769-744-11	CORD, POWER (AEP, UK)	
△ 256	1-777-071-22	CORD, POWER (E, SP, MY)	
△ 256	1-783-532-11	CORD, POWER (US)	
△ F1	1-532-504-51	FUSE (T4AL/250V) (DB1080)	
△ F1	1-576-048-11	FUSE, GLASS TUBE (10A/125V) (DA2ES)	
△ F2	1-532-464-51	FUSE (T2.5AL/250V) (DB1080: AEP, UK, SP, MY)	
△ F2	1-576-048-11	FUSE, GLASS TUBE (10A/125V) (DA2ES)	
△ F49	1-532-504-51	FUSE (T4AL/250V) (DB1080: E)	
△ F903	1-532-464-51	FUSE (T2.5AL/250V) (DB1080)	
△ F903	1-533-419-11	FUSE, GLASS CYLINDRICAL (DIA.5) (4A/125V) (DA2ES: CND)	
△ F903	1-576-108-11	FUSE (4A/125V) (DA2ES: US)	
△ F904	1-532-464-51	FUSE (T2.5AL/250V) (DB1080)	
△ F904	1-533-419-11	FUSE, GLASS CYLINDRICAL (DIA.5) (4A/125V) (DA2ES: CND)	
△ F904	1-576-108-11	FUSE (4A/125V) (DA2ES: US)	
Q402	8-729-051-92	TRANSISTOR 2SD2560	
Q403	8-729-051-93	TRANSISTOR 2SB1647	
Q431	8-729-026-08	TRANSISTOR 2SC4495	
Q452	8-729-051-92	TRANSISTOR 2SD2560	
Q453	8-729-051-93	TRANSISTOR 2SB1647	
Q491	8-729-026-08	TRANSISTOR 2SC4495	
Q502	8-729-051-92	TRANSISTOR 2SD2560	
Q503	8-729-051-93	TRANSISTOR 2SB1647	
Q531	8-729-026-08	TRANSISTOR 2SC4495	
Q552	8-729-051-92	TRANSISTOR 2SD2560	
Q553	8-729-051-93	TRANSISTOR 2SB1647	
Q581	8-729-026-08	TRANSISTOR 2SC4495	
Q602	8-729-051-92	TRANSISTOR 2SD2560	
Q603	8-729-051-93	TRANSISTOR 2SB1647	
Q631	8-729-026-08	TRANSISTOR 2SC4495	
Q652	8-729-051-92	TRANSISTOR 2SD2560	
Q653	8-729-051-93	TRANSISTOR 2SB1647	
Q681	8-729-026-08	TRANSISTOR 2SC4495	
△ T901	1-437-683-11	TRANSFORMER, POWER (US, CND)	
△ T901	1-437-686-11	TRANSFORMER, POWER (E)	
△ T901	1-437-687-11	TRANSFORMER, POWER (AEP, UK, SP, MY, KR)	
TU301	1-693-577-21	TUNER (US, CND, E)	
TU301	1-693-578-21	TUNER (AEP, UK)	
TU301	1-693-580-21	TUNER (SP, MY, KR)	

ACCESSORIES			

	1-477-124-11	COMMANDER, STANDARD (RM-PG411) (DA2ES)	
	1-477-333-11	REMOTE COMMANDER (RM-LP211) (DB1080)	
	1-501-374-11	ANTENNA, LOOP (AM)	
	1-501-594-13	ANTENNA (FM) (DB1080: AEP, UK, SP, MY, KR)	
△	1-569-008-21	ADAPTOR, CONVERSION (E)	
△	1-770-019-51	ADAPTOR, CONVERSION PLUG (UK)	
	1-777-172-11	CORD, CONNECTION (CONTROL S CORD) (MINI JACK) (DA2ES)	
	1-777-560-11	CORD, CONNECTION (AUDIO/VIDEO/CONTROL S CORD) (DA2ES)	

The components identified by mark △ or dotted line with △ are critical for safety. Replace only with part number specified.

Les composants identifiés par une marque △ sont critiques pour la sécurité. Ne les remplacer que par une pièce portant le numéro spécifié.

Ref. No.	Part No.	Description	Remark	Ref. No.	Part No.	Description	Remark
1-793-184-21		CONNECTOR (F TYPE ADAPTOR) (DA2ES/DB1080: E)		4-241-688-21		MANUAL, INSTRUCTION (HUNGARIAN, CZECH) (DB1080: AEP)	
3-071-119-01		COVER, BATTERY (for RM-PG411) (DA2ES)		4-241-688-31		MANUAL, INSTRUCTION (TURKISH) (DB1080: AEP)	
4-241-478-01		COVER, BATTERY (for RM-LP211) (DB1080)		4-241-688-41		MANUAL, INSTRUCTION (SLOVAKIAN) (DB1080: AEP)	
4-241-669-11		MANUAL, INSTRUCTION (ENGLISH) (DA2ES)					
4-241-669-21		MANUAL, INSTRUCTION (FRENCH) (DA2ES: CND)					
4-241-670-11		MANUAL, INSTRUCTION (ENGLISH) (DB1080: AEP, UK, E, SP, MY)					
4-241-670-21		MANUAL, INSTRUCTION (FRENCH) (DB1080: AEP, E, SP, MY)					
4-241-670-31		MANUAL, INSTRUCTION (SPANISH) (DB1080: AEP, E, SP, MY)					
4-241-670-41		MANUAL, INSTRUCTION (GERMAN, DUTCH, SWEDISH) (DB1080: AEP)					
4-241-670-51		MANUAL, INSTRUCTION (ITALIAN, POLISH) (DB1080: AEP)					
4-241-670-61		MANUAL, INSTRUCTION (TRADITIONAL CHINESE) (DB1080: E, SP, MY)					
4-241-670-71		MANUAL, INSTRUCTION (KOREAN) (DB1080: KR)					
4-241-671-11		MANUAL, INSTRUCTION (PORTUGUESE) (DB1080: AEP)					
4-241-671-21		MANUAL, INSTRUCTION (DANISH, FINNISH) (DB1080: AEP)					
4-241-671-31		MANUAL, INSTRUCTION (RUSSIAN) (DB1080: AEP)					
4-241-675-11		MANUAL, INSTRUCTION (ENGLISH) (DB1080: AEP, UK, E, SP, MY)					
4-241-675-21		MANUAL, INSTRUCTION (FRENCH) (DB1080: AEP, E, SP, MY)					
4-241-675-31		MANUAL, INSTRUCTION (SPANISH) (DB1080: AEP, E, SP, MY)					
4-241-675-41		MANUAL, INSTRUCTION (GERMAN, DUTCH, SWEDISH) (DB1080: AEP)					
4-241-675-51		MANUAL, INSTRUCTION (ITALIAN, POLISH) (DB1080: AEP)					
4-241-675-61		MANUAL, INSTRUCTION (TRADITIONAL CHINESE) (DB1080: E, SP, MY)					
4-241-675-71		MANUAL, INSTRUCTION (KOREAN) (DB1080: KR)					
4-241-676-11		MANUAL, INSTRUCTION (for RM-LP211) (PORTUGUESE) (DB1080: AEP)					
4-241-676-21		MANUAL, INSTRUCTION (for RM-LP211) (DANISH, FINNISH) (DB1080: AEP)					
4-241-676-31		MANUAL, INSTRUCTION (for RM-LP211) (RUSSIAN) (DB1080: AEP)					
4-241-677-11		MANUAL, INSTRUCTION (for RM-PG411) (ENGLISH) (DA2ES: US)					
4-241-677-21		MANUAL, INSTRUCTION (for RM-PG411) (FRENCH) (DA2ES: CND)					
4-241-679-11		MANUAL, INSTRUCTION (for RM-LP211) (GREEK) (DB1080: AEP)					
4-241-679-21		MANUAL, INSTRUCTION (for RM-LP211) (HUNGARIAN, CZECH) (DB1080: AEP)					
4-241-679-31		MANUAL, INSTRUCTION (for RM-LP211) (TURKISH) (DB1080: AEP)					
4-241-679-41		MANUAL, INSTRUCTION (for RM-LP211) (SLOVAKIAN) (DB1080: AEP)					
4-241-688-11		MANUAL, INSTRUCTION (GREEK) (DB1080: AEP)					

