

STR-DA5000ES

SERVICE MANUAL

Ver. 1.2 2005.07

US Model
Canadian Model
AEP Model
E Model
Chinese Model



This receiver incorporates Dolby* Digital and Pro Logic Surround and the DTS** Digital Surround System.

* Manufactured under license from Dolby Laboratories.

"Dolby", "Pro Logic" and the double-D symbol are trademarks of Dolby Laboratories.

** "DTS", "DTS-ES Extended Surround", and "Neo:6" are trademarks of Digital Theater Systems, Inc.

SPECIFICATIONS

AUDIO POWER SPECIFICATIONS

POWER OUTPUT AND TOTAL HARMONIC DISTORTION: (Models of area code US only)

With 8 ohm loads, both channels driven, from 20 – 20,000 Hz; rated 170 watts per channel minimum RMS power, with no more than 0.6% total harmonic distortion from 250 milliwatts to rated output.

Amplifier section

Models of area code US, Canadian, Taiwan:

POWER OUTPUT

Rated Power Output at Stereo Mode¹⁾

(8 ohms 20 Hz – 20 kHz, THD 0.6%)

170 W + 170 W

Reference Power Output at Stereo Mode

(4 ohms 20 Hz – 20 kHz, THD 0.6%)

150 W + 150 W

Reference Power Output

(8 ohms 20 Hz – 20 kHz, THD 0.6%)

FRONT²⁾: 170 W + 170 W

CENTER²⁾: 170 W

SURR²⁾: 170 W + 170 W

SURR BACK²⁾: 170 W + 170 W

W

(4 ohms 20 Hz – 20 kHz, THD 0.6%)

FRONT²⁾: 150 W + 150 W

CENTER²⁾: 150 W

SURR²⁾: 150 W + 150 W

SURR BACK²⁾: 150 W + 150 W

W

Models of area code AEP and Chinese:

POWER OUTPUT

Rated Power Output at Stereo Mode¹⁾

(8 ohms 1 kHz, THD 0.7%)

170 W + 170 W

Reference Power Output at Stereo Mode

(4 ohms 1 kHz, THD 0.7%)

150 W + 150 W

Reference Power Output

(8 ohms 1 kHz, THD 0.7%)

FRONT²⁾: 170 W + 170 W

CENTER²⁾: 170 W

SURR²⁾: 170 W + 170 W

SURR BACK²⁾: 170 W + 170 W

W

(4 ohms 1 kHz, THD 0.7%)

FRONT²⁾: 150 W + 150 W

CENTER²⁾: 150 W

SURR²⁾: 150 W + 150 W

SURR BACK²⁾: 150 W + 150 W

W

1) Depending on the sound field settings and the source, there may be no sound output.

2) Measured under the following conditions:

Area code	Power requirements
US and Canadian	120 V AC, 60 Hz
Taiwan	110 V AC, 60 Hz
AEP	230 V AC, 50/60 Hz
Chinese	220-230 V AC, 50/60 Hz

3) Models of area code US, Canadian only.

4) Models of area code Taiwan only.

Frequency response

PHONO	RIAA equalization curve ±0.5 dB
MULTI CHANNEL INPUT 1, 2, CD/ SACD, TAPE, MD/ DAT, DVD, TV/SAT, VIDEO 1, 2, 3	10 Hz – 40 kHz ±3 dB (when sound field and equalizer bypassed)

– Continued on next page –

FM STEREO FM/AM RECEIVER

9-961-110-03

2005G05-1

© 2005.07

Sony Corporation

Audio Group

Published by Sony Engineering Corporation

SONY®

STR-DA5000ES

Inputs (Analog)

PHONO S/N: 86 dB

MULTI CHANNEL S/N: 96 dB

INPUT 1, 2, CD/
SACD, TAPE, MD/
DAT, DVD, TV/SAT,
VIDEO 1, 2, 3

Inputs (Digital)

CD/SACD, DVD S/N: 96 dB
(Coaxial) (A, 20 kHz LPF)

CD/SACD, DVD, TV/ S/N: 96 dB
SAT, MD/DAT, (A, 20 kHz LPF)
VIDEO3 (Optical)

Outputs

TAPE, MD/DAT
(REC OUT), VIDEO
1, 2 (AUDIO OUT)

FRONT L/R,
CENTER,
SURROUND L/R,
SURROUND BACK
(L/R), SUB WOOFER

EQUALIZER

Gain levels ± 10 dB, 1 dB step

FM tuner section

Tuning range 87.5 - 108.0 MHz
Antenna FM wire antenna
Antenna terminals 75 ohms, unbalanced
Sensitivity
Mono: 18.3 dBf, 2.2 μ V/75 ohms
Stereo: 38.3 dBf, 22.5 μ V/75 ohms
Useable sensitivity 11.2 dBf, 1 μ V/75 ohms
S/N
Mono: 76 dB
Stereo: 70 dB
Harmonic distortion at 1 kHz
Mono: 0.3%
Stereo: 0.5%
Separation 45 dB at 1 kHz
Frequency response 30 Hz - 15 kHz,
+0.5/-2 dB
Selectivity 60 dB at 400 kHz

AM tuner section

Tuning range
Models of area code U, CA:
530 - 1,710 kHz⁷⁾
(With 10-kHz tuning scale)
531 - 1,710 kHz⁷⁾
(With 9-kHz tuning scale)

Models of other area codes:
531 - 1,602 kHz
(With 9-kHz tuning scale)

Antenna Loop antenna
Usable sensitivity 50 dB/m (at 1,000 kHz or 999
kHz)
S/N 54 dB (at 50 mV/m)
Harmonic distortion 0.5% (50 mV/m, 400 Hz)

Selectivity
At 9 kHz: 35 dB
At 10 kHz: 40 dB

5) You can change the AM tuning scale to 9 kHz or 10 kHz. After tuning in any AM station, turn off the receiver. While holding down PRESET TUNING + or TUNING +, press I/⏏. All preset stations will be erased when you change the tuning scale. To reset the scale to 10 kHz (or 9 kHz), repeat the procedure.

Video section

Inputs/Outputs
Video: 1 Vp-p, 75 ohms
Y: 1 Vp-p, 75 ohms
S-video: C: 0.286 Vp-p, 75 ohms
COMPOnent VIDEO: Y: 1 Vp-p, 75 ohms
P_B/C_B/B-Y: 0.7 Vp-p, 75 ohms
P_R/C_R/R-Y: 0.7 Vp-p, 75 ohms

General

Power requirements

Area code	Power requirements
US and Canadian	120 V AC, 60 Hz
AEP	230 V AC, 50/60 Hz
Taiwan	110 V AC, 60 Hz
Chinese	220-230 V AC, 50/60 Hz

Power consumption

Area code	Power consumption
Except Canadian	300 W
Canadian	500 VA

Power consumption (during standby mode)
1 W

AC outlets

Area code	AC outlets
US and Canadian	2 switched, 120 W/1A MAX
AEP	1 switched, 100 W MAX
Taiwan	2 switched, 100 W MAX
Chinese	- (no AC outlet)

Dimensions 430 × 175 × 470 mm
including projecting parts and controls
Mass (Approx.) 13 kg

Supplied accessories

FM wire antenna (1)
AM loop antenna (1)
AC power cord (1)
Remote commander RM-LJ312 (1)
R6 (size-AA) batteries (3)
Remote commander RM-US106 (1)
(US and Canadian models)
R6 (size-AA) batteries (2) (US and Canadian models)

Design and specifications are subject to change without notice.

Notes on chip component replacement

- Never reuse a disconnected chip component.
- Notice that the minus side of a tantalum capacitor may be damaged by heat.

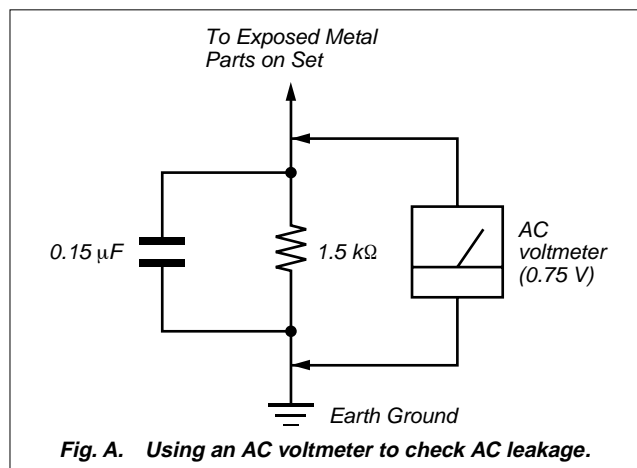
SAFETY CHECK-OUT

After correcting the original service problem, perform the following safety check before releasing the set to the customer: Check the antenna terminals, metal trim, “metallized” knobs, screws, and all other exposed metal parts for AC leakage. Check leakage as described below.

LEAKAGE TEST

The AC leakage from any exposed metal part to earth ground and from all exposed metal parts to any exposed metal part having a return to chassis, must not exceed 0.5 mA (500 microamperes.). Leakage current can be measured by any one of three methods.

1. A commercial leakage tester, such as the Simpson 229 or RCA WT-540A. Follow the manufacturers' instructions to use these instruments.
2. A battery-operated AC milliammeter. The Data Precision 245 digital multimeter is suitable for this job.
3. Measuring the voltage drop across a resistor by means of a VOM or battery-operated AC voltmeter. The “limit” indication is 0.75 V, so analog meters must have an accurate low-voltage scale. The Simpson 250 and Sanwa SH-63Trd are examples of a passive VOM that is suitable. Nearly all battery operated digital multimeters that have a 2 V AC range are suitable. (See Fig. A)



UNLEADED SOLDER

Boards requiring use of unleaded solder are printed with the lead-free mark (LF) indicating the solder contains no lead. (Caution: Some printed circuit boards may not come printed with the lead free mark due to their particular size)

LF : LEAD FREE MARK

Unleaded solder has the following characteristics.

- Unleaded solder melts at a temperature about 40 °C higher than ordinary solder.
Ordinary soldering irons can be used but the iron tip has to be applied to the solder joint for a slightly longer time. Soldering irons using a temperature regulator should be set to about 350 °C.
Caution: The printed pattern (copper foil) may peel away if the heated tip is applied for too long, so be careful!
- Strong viscosity
Unleaded solder is more viscous (sticky, less prone to flow) than ordinary solder so use caution not to let solder bridges occur such as on IC pins, etc.
- Usable with ordinary solder
It is best to use only unleaded solder but unleaded solder may also be added to ordinary solder.

与安全有关的零部件须知

在原理图上用阴影及 \triangle 标记来识别的零部件在安全操作上是具有关键性的。这些零部件要用本手册中所示的部件号对应的索尼零部件进行更换。

在安全操作上具有关键性的电路调整与索尼公司出版的维修手册完全一致。在更换关键零部件时或怀疑动作失常时，请进行这些调整操作。

SAFETY-RELATED COMPONENT WARNING!!

COMPONENTS IDENTIFIED BY MARK \triangle OR DOTTED LINE WITH MARK \triangle ON THE SCHEMATIC DIAGRAMS AND IN THE PARTS LIST ARE CRITICAL TO SAFE OPERATION. REPLACE THESE COMPONENTS WITH SONY PARTS WHOSE PART NUMBERS APPEAR AS SHOWN IN THIS MANUAL OR IN SUPPLEMENTS PUBLISHED BY SONY.

ATTENTION AU COMPOSANT AYANT RAPPORT À LA SÉCURITÉ!

LES COMPOSANTS IDENTIFIÉS PAR UNE MARQUE \triangle SUR LES DIAGRAMMES SCHÉMATIQUES ET LA LISTE DES PIÈCES SONT CRITIQUES POUR LA SÉCURITÉ DE FONCTIONNEMENT. NE REMPLACER CES COMPOSANTS QUE PAR DES PIÈCES SONY DONT LES NUMÉROS SONT DONNÉS DANS CE MANUEL OU DANS LES SUPPLÉMENTS PUBLIÉS PAR SONY.

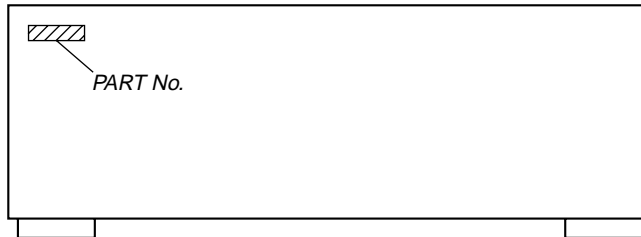
TABLE OF CONTENTS

1. SERVICING NOTES	5	6-39. Printed Wiring Board – PRE-OUT Board (Component Side) – (US, CND models)	58
2. GENERAL		6-40. Printed Wiring Board – PRE-OUT Board (Conductor Side) – (US, CND models)	59
Location of Controls	10	6-41. Schematic Diagram – PRE-OUT Board – (US, CND models)	60
3. DISASSEMBLY		6-42. Schematic Diagram – VIDEO Board (1/3) –	61
3-1. Disassembly Flow	11	6-43. Schematic Diagram – VIDEO Board (2/3) –	62
3-2. Case	11	6-44. Schematic Diagram – VIDEO Board (3/3) –	63
3-3. Front Panel Section	12	6-45. Printed Wiring Board – VIDEO Board (Component Side) –	64
3-4. D-AMP Board	13	6-46. Printed Wiring Board – VIDEO Board (Conductor Side) –	65
4. TEST MODE	14	6-47. Printed Wiring Board – S-VIDEO Board –	66
5. ELECTRICAL ADJUSTMENTS	15	6-48. Schematic Diagram – S-VIDEO Board –	67
6. DIAGRAMS		6-49. Printed Wiring Board – CIS Board – (US, CND models)	68
6-1. Block Diagram – AUDIO IN Section –	19	6-50. Schematic Diagram – CIS Board – (US, CND models)	69
6-2. Block Diagram – ELECTRICAL VOLUME Section –	20	6-51. Printed Wiring Board – FL Board –	70
6-3. Block Diagram – DIGITAL 1 Section –	21	6-52. Schematic Diagram – FL Board –	71
6-4. Block Diagram – DIGITAL 2 Section –	22	6-53. Printed Wiring Boards – PANEL Section –	72
6-5. Block Diagram – DIGITAL 3 Section –	23	6-54. Schematic Diagram – PANEL Section –	73
6-6. Block Diagram – PRE OUT Section –	24	6-55. Printed Wiring Board – REG Section (Component Side) –	74
6-7. Block Diagram – POWER AMP Section –	25	6-56. Printed Wiring Boards – REG Section (Conductor Side) –	75
6-8. Block Diagram – VIDEO IN Section –	26	6-57. Schematic Diagram – REG Section (1/2) –	76
6-9. Block Diagram – CIS/DISPLAY Section –	27	6-58. Schematic Diagram – REG Section (2/2) –	77
6-10. Block Diagram – POWER SUPPLY Section –	28	6-59. IC Pin Function Description	90
6-11. Note for Printed Wiring Boards and Schematic Diagrams	29	7. EXPLODED VIEWS	
6-12. Printed Wiring Board – AUDIO Board (Component Side) –	30	7-1. Case Section	109
6-13. Printed Wiring Board – AUDIO Board (Conductor Side) –	31	7-2. Front Panel Section-1	110
6-14. Schematic Diagram – AUDIO Board (1/4) –	32	7-3. Front Panel Section-2	111
6-15. Schematic Diagram – AUDIO Board (2/4) –	33	7-4. Chassis Section-1	112
6-16. Schematic Diagram – AUDIO Board (3/4) –	34	7-5. Chassis Section-2	113
6-17. Schematic Diagram – AUDIO Board (4/4) –	35	7-6. Chassis Section-3	114
6-18. Printed Wiring Board – ANALOG SUB Board –	36	7-7. Chassis Section-4	115
6-19. Schematic Diagram – ANALOG SUB Board –	37	7-8. Chassis Section-5	116
6-20. Schematic Diagram – DIGITAL Board (1/9) –	39	7-9. REG Board Section	117
6-21. Schematic Diagram – DIGITAL Board (2/9) –	40	7-10. D-AMP Board Section	118
6-22. Schematic Diagram – DIGITAL Board (3/9) –	41	8. ELECTRICAL PARTS LIST	119
6-23. Schematic Diagram – DIGITAL Board (4/9) –	42		
6-24. Schematic Diagram – DIGITAL Board (5/9) –	43		
6-25. Schematic Diagram – DIGITAL Board (6/9) –	44		
6-26. Schematic Diagram – DIGITAL Board (7/9) –	45		
6-27. Schematic Diagram – DIGITAL Board (8/9) –	46		
6-28. Schematic Diagram – DIGITAL Board (9/9) –	47		
6-29. Printed Wiring Board – DIGITAL Board (Component Side) –	48		
6-30. Printed Wiring Board – DIGITAL Board (Conductor Side) –	49		
6-31. Printed Wiring Board – D-AMP Section (Component Side) –	50		
6-32. Printed Wiring Boards – D-AMP Section (Conductor Side) –	51		
6-33. Schematic Diagram – D-AMP Section (1/6) –	52		
6-34. Schematic Diagram – D-AMP Section (2/6) –	53		
6-35. Schematic Diagram – D-AMP Section (3/6) –	54		
6-36. Schematic Diagram – D-AMP Section (4/6) –	55		
6-37. Schematic Diagram – D-AMP Section (5/6) –	56		
6-38. Schematic Diagram – D-AMP Section (6/6) –	57		

SECTION 1 SERVICING NOTES

• **MODEL IDENTIFICATION**

– Back Panel –



Model	PART No.
US model	4-246-511-0□
Canadian model	4-246-511-1□
AEP model	4-246-511-2□
Chinese model	4-246-511-4□
Taiwan model	4-246-511-6□

ERROR MESSAGES

If there is a malfunction, the display shows a code of two numbers and a message. You can check the condition of the system by message. Refer to the following table to solve the problem.

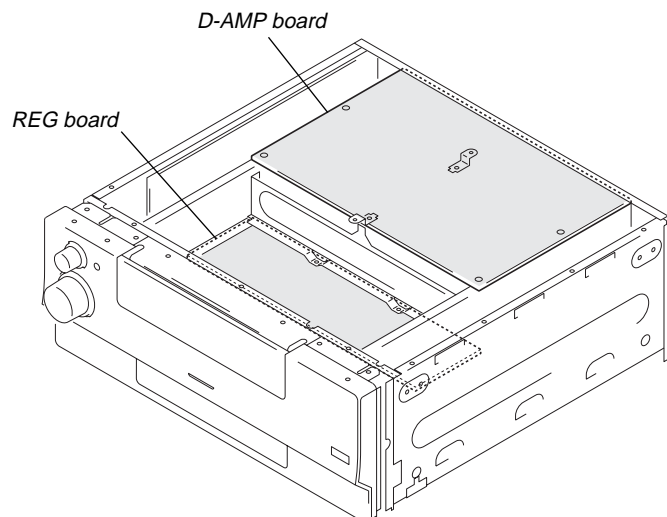
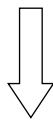
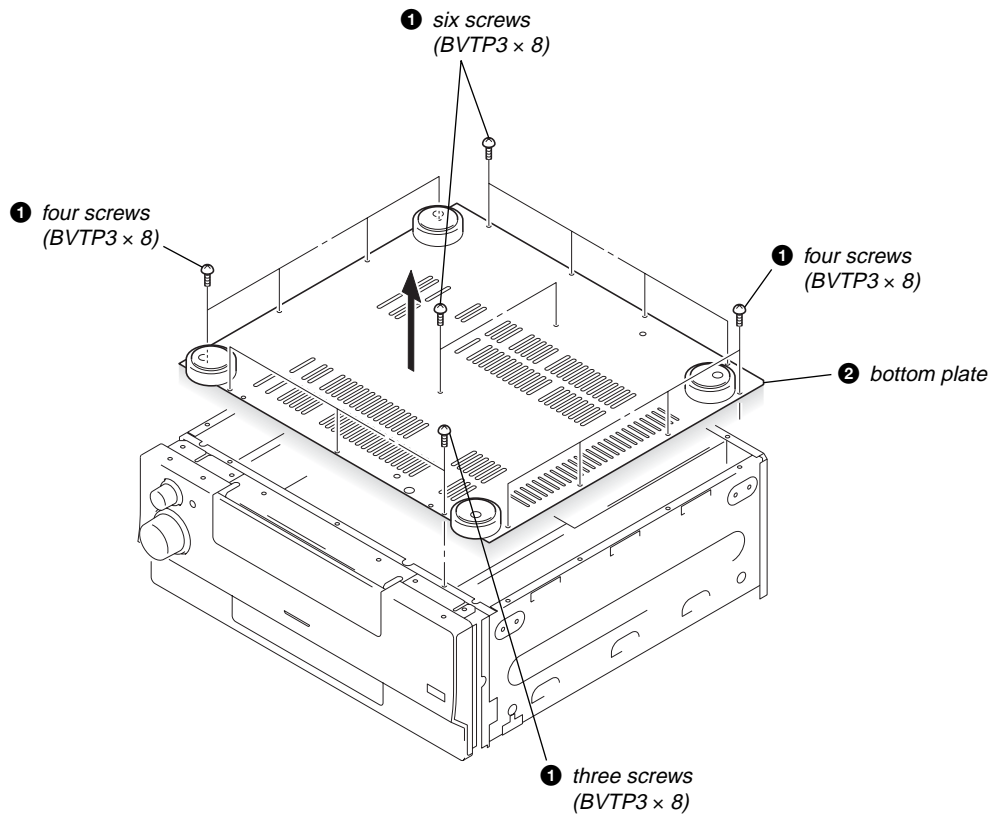
messages	check code	cause and response
DECODE ERROR	01	Appears when the signal which the receiver can not decode (example DSD-CD) is input when “DEC. PRI.” in the CUSTOMIZE menu is set to “PCM”. Set to “AUTO”.
PROTECTOR	11	Irregular current output to the speakers. Turn off the receiver and check the speaker connection. Then turn on the power again. Becomes this display, When short current flowed with breakage of the power MOS, or when detection resistor becomes open in connection with it.
PROTECTOR	12	The amplifier section is overheated. Turn off the receiver and check that the ventilation hole is not covered. Leave the receiver for a while and turn on the power again.
PROTECTOR	13	The power supply section is overheated. Turn off the receiver and check that the ventilation hole is not covered. leave the receiver for a while and turn on the power again.
PROTECTOR	21	DC between speaker terminal is detected (abnormalities such as DSD 0DATA and signal clip can be considered). Turn off the receiver and check the speaker connection. Then turn on the power again.
PROTECTOR	22	Two defects are considered, when current detection of a switching power supply operated by the super fluous speaker, +B power supply shut down or when the power MOS broke and +B line short. Turn off the receiver and check the speaker connection. Then turn on the power again.

STR-DA5000ES

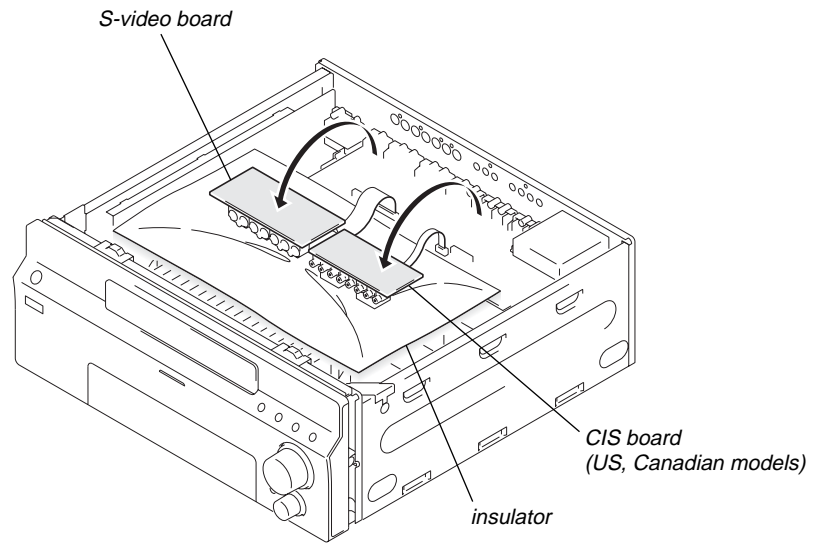
Note: Follow the disassembly procedure in the numerical order given.

D-AMP BOARD, REG BOARD SERVICE POSITION

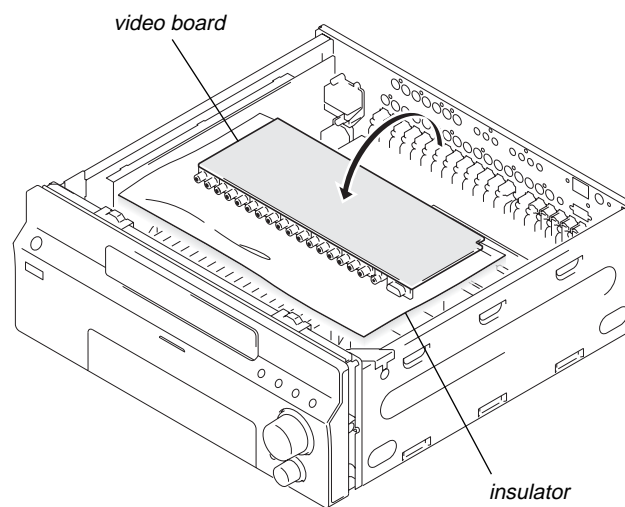
– BOTTOM VIEW –



CIS BOARD (US, Canadian models), S-VIDEO BOARD SERVICE POSITION

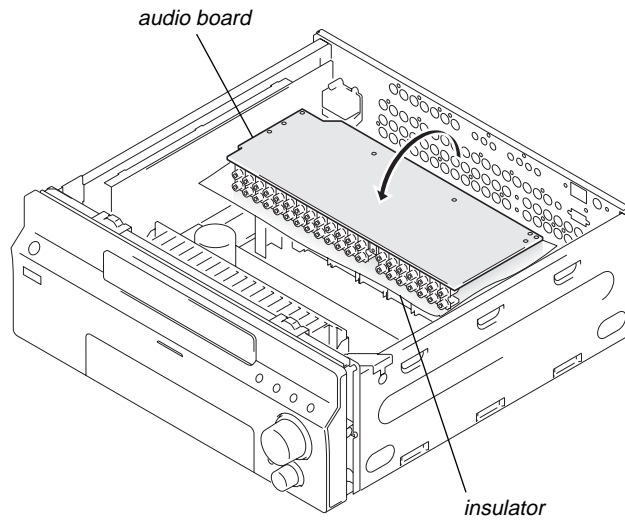


VIDEO BOARD SERVICE POSITION

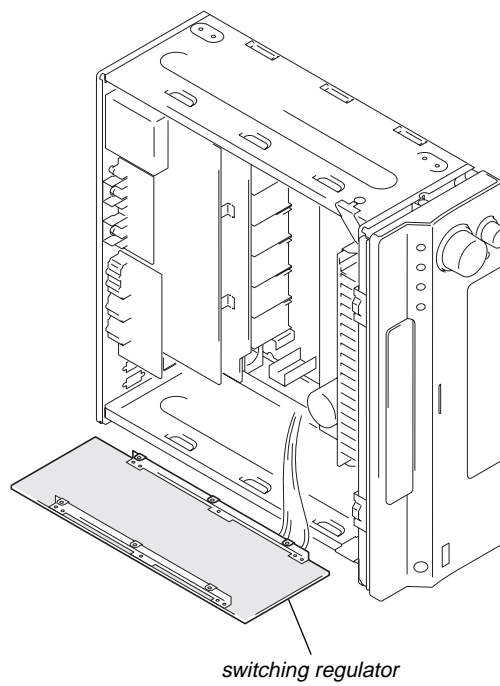


STR-DA5000ES

AUDIO BOARD SERVICE POSITION

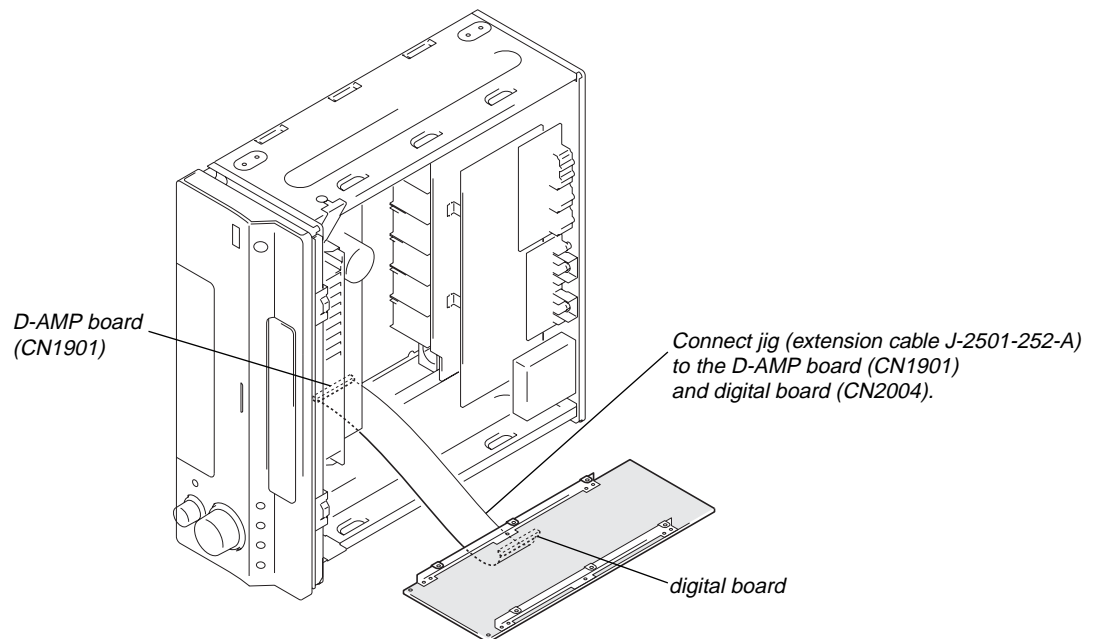


SWITCHING REGULATOR SERVICE POSITION

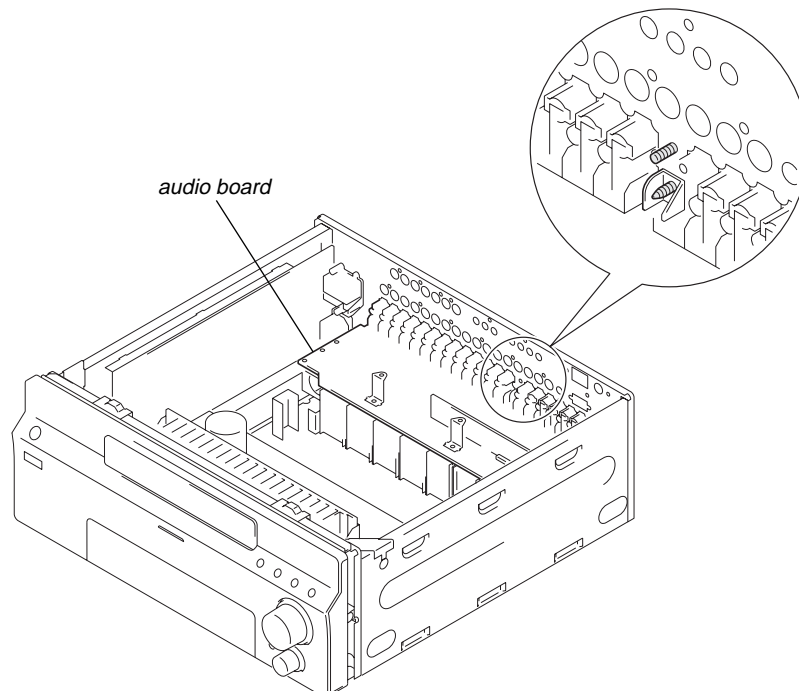


DIGITAL BOARD SERVICE POSITION

In checking the digital board, prepare jig (extension cable J-2501-252-A: 1.25 mm Pitch, 35 cores, Length 300 mm).

**CAUTIONS OF THE ATTACHMENT SCREW BUNDLE OF AUDIO BOARD**

Note: Since the ground is concentrating here, be careful especially in the case of a screw stop, and tighten a screw firmly.



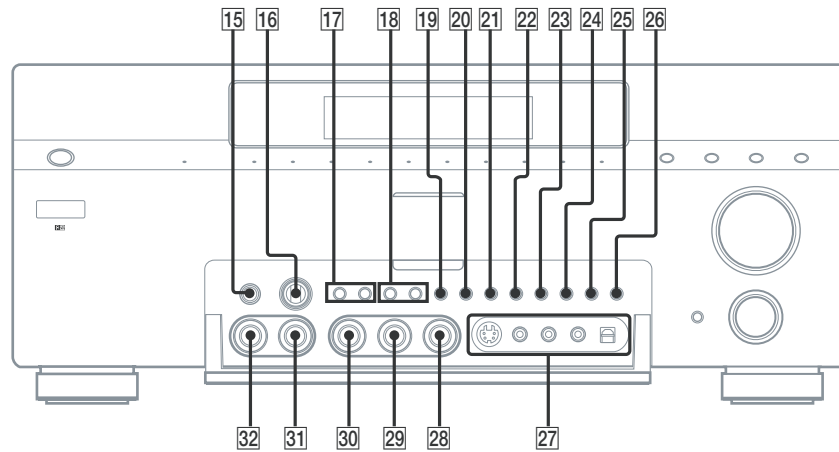
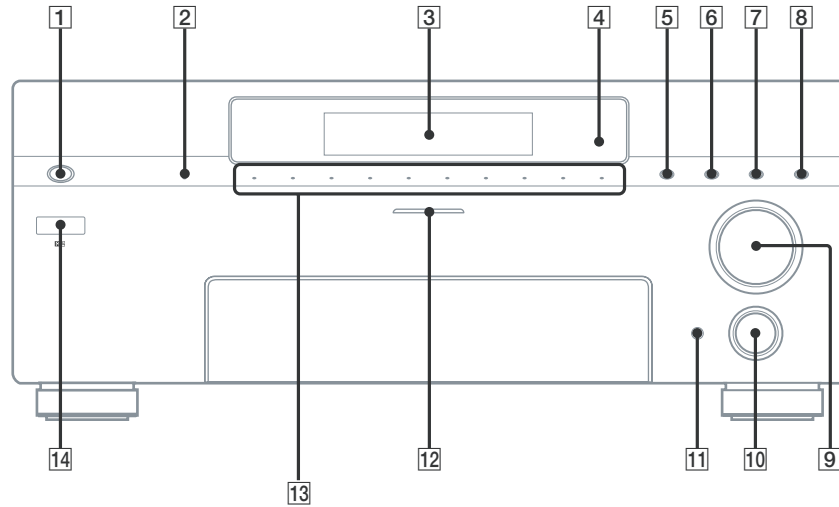
LOCATION OF CONTROLS

– Front Panel –

Main unit

- ALPHABETICAL ORDER**
- A.F.D. [6]
 - BASS [32]
 - DECODE PRIORITY [23]
 - Digital Cinema Sound indicator [4]
 - DIRECT [24]
 - DIRECT indicator [2]
 - DISPLAY [22]
 - Display [3]
 - FM/AM [19]
 - Input indicators [13]
 - INPUT MODE [11]
 - INPUT SELECTOR [10]
 - IR receptor [14]
 - MAIN MENU [30]
 - MASTER VOLUME [9]
 - MEMORY/ENTER [20]
 - MENU [29]
 - MOVIE [7]
 - MULTI CH IN 1/2 [25]
 - MULTICHANNEL DECODING indicator [12]
 - MUSIC [8]
 - PHONES jack [15]
 - PRESET TUNING +/- [17]
 - SPEAKERS switch [16]
 - SURR BACK DECODING [26]
 - TREBLE [31]
 - TUNING +/- [18]
 - USER PRESET [21]
 - VIDEO 3 INPUT jacks [27]

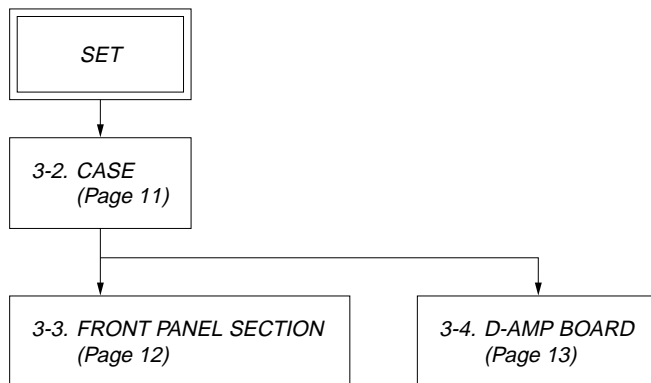
- NUMBERS AND SYMBOLS**
- 2CH [5]
 - I/⏻ (power) [1]
 - +/- [28]



SECTION 3 DISASSEMBLY

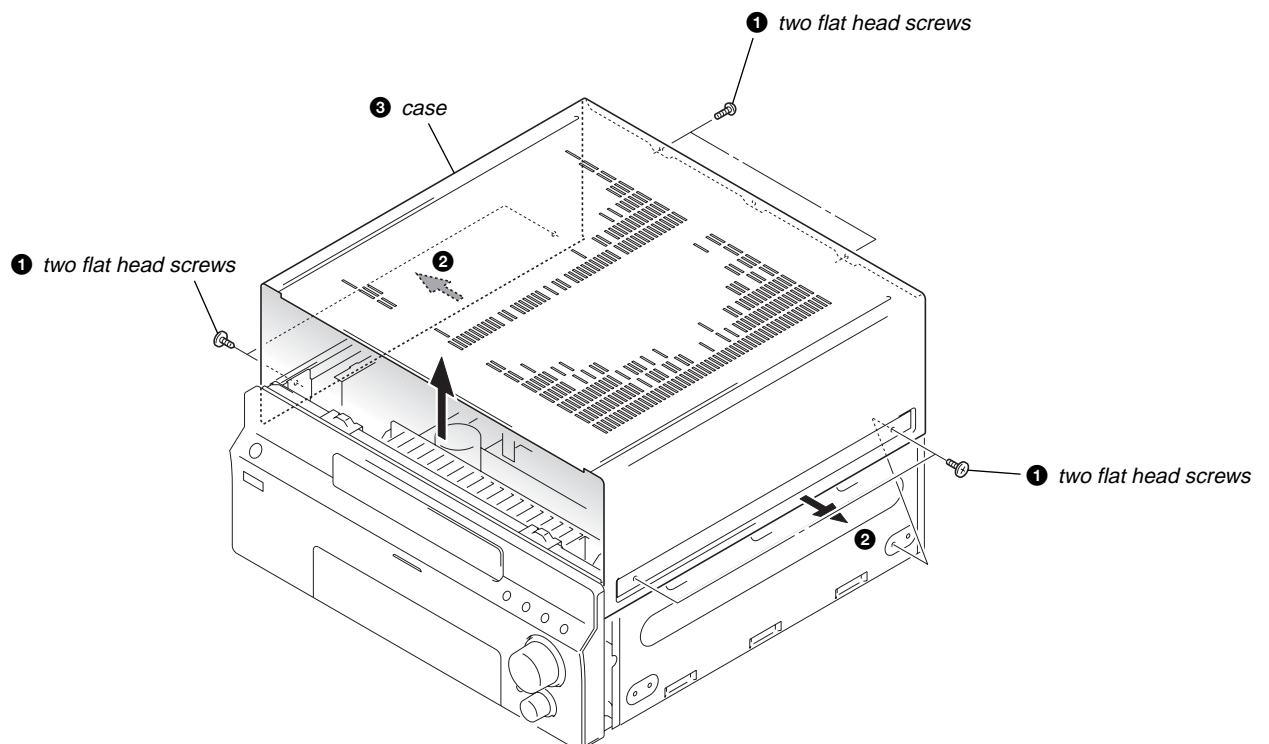
• This set can be disassembled in the order shown below.

3-1. DISASSEMBLY FLOW

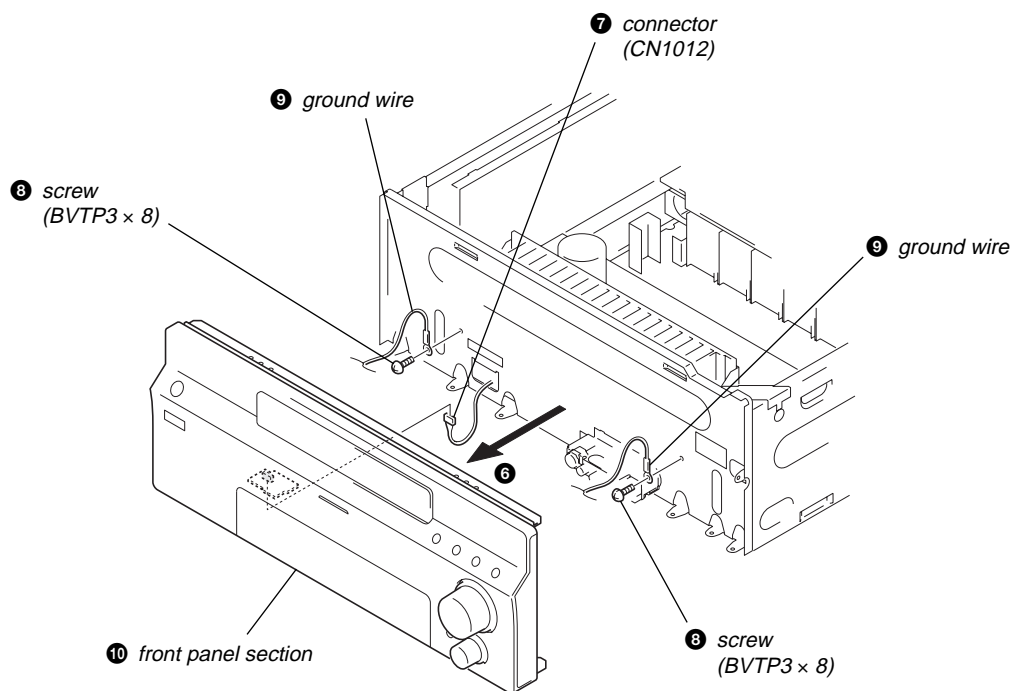
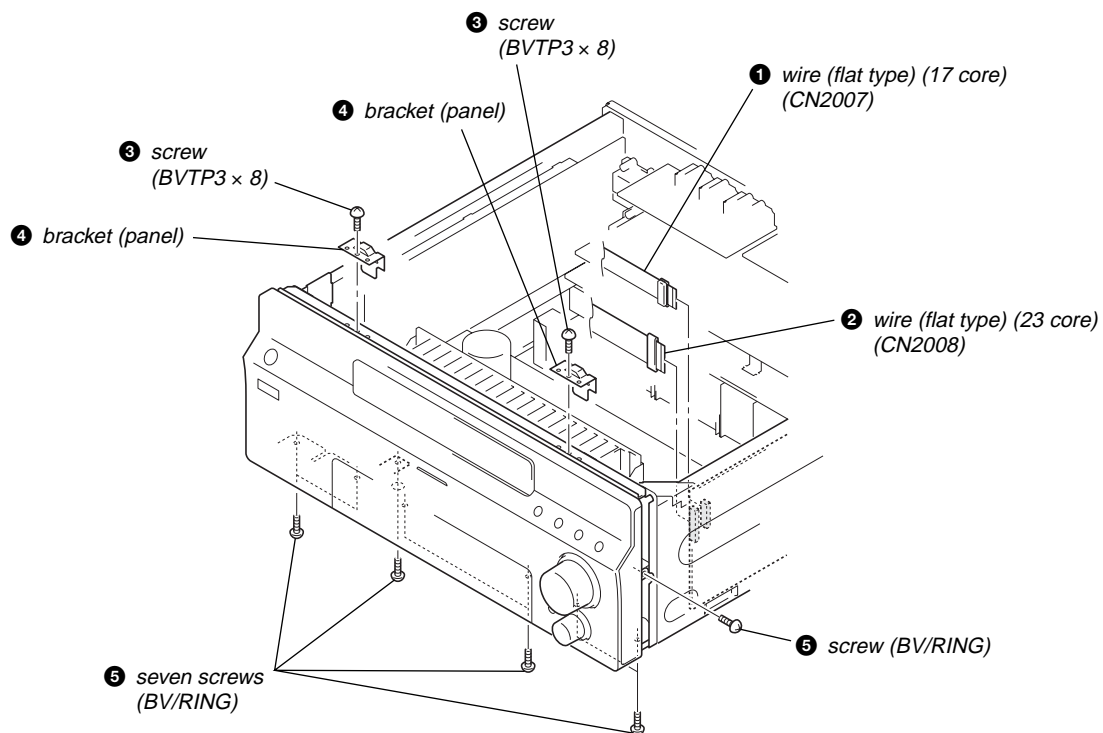


Note: Follow the disassembly procedure in the numerical order given.

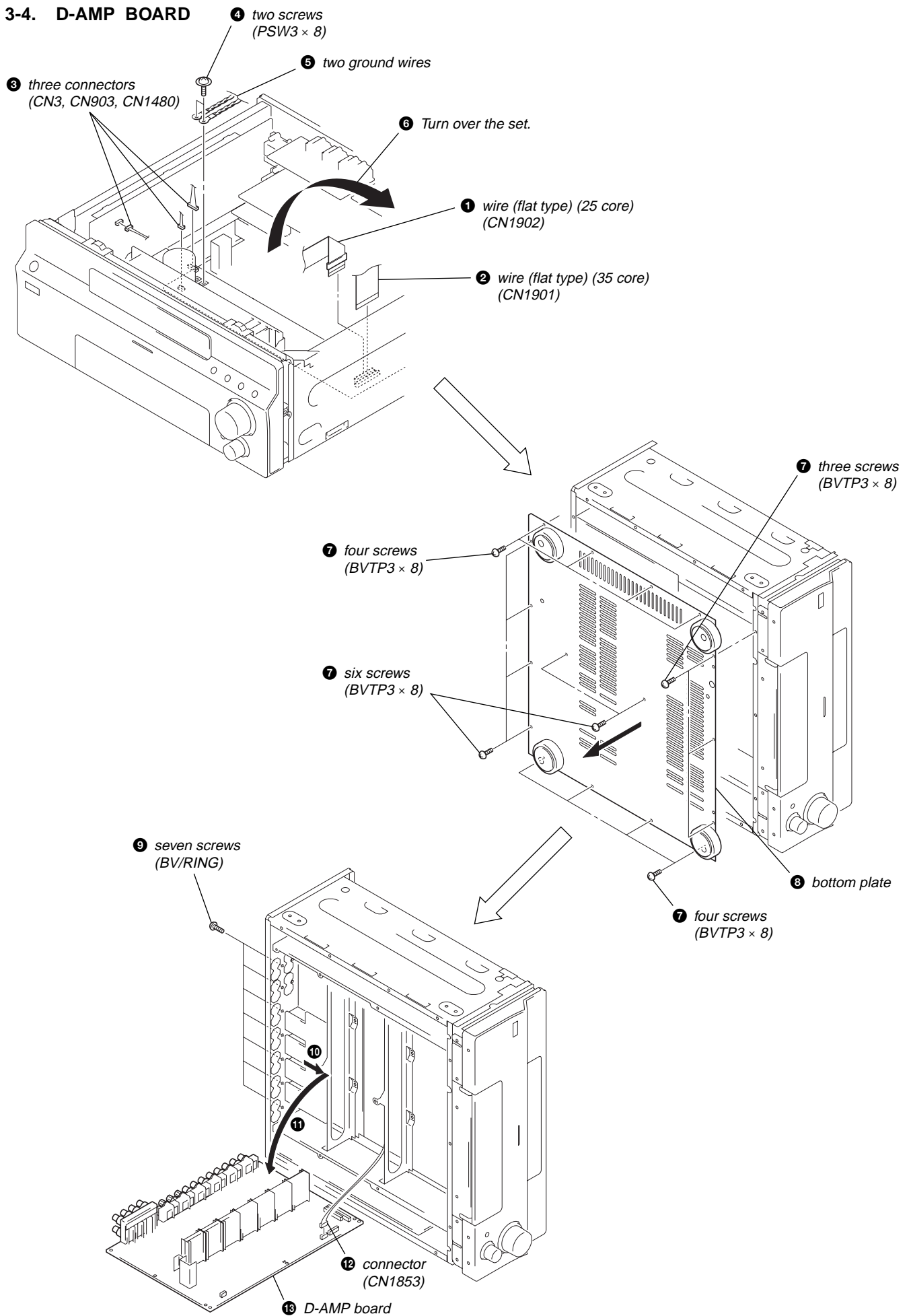
3-2. CASE



3-3. FRONT PANEL SECTION



3-4. D-AMP BOARD



SECTION 4 TEST MODE

TUNER FACTORY PRESET MODE

All preset contents are reset to the default setting.

Procedure:

1. While pressing the **[SURR BACK DECODING]** and **[PRE-SET TUNING -]** buttons, press the **[I/⏻]** button to turn on the main power.
2. The message "TUNER FACTORY PRESET" appears and the present contents are reset to the default values.

TUNER AM STEP CHANGE (9 kHz/10 kHz) MODE

Either the 9 kHz step or 10 kHz step can be selected for the AM channel step.

Procedure:

1. While pressing the **[PRESET TUNING +]** or **[DISPLAY]** button, press the **[I/⏻]** button to turn on the main power.
2. Either the message "AM 9K STEP" or "AM 10K STEP" appears. Select the desired step.

TUNER AUTOBETICAL TUNING MODE

Procedure:

1. While pressing the **[MEMORY/ENTER]** button, press the **[I/⏻]** button to turn on the main power.
2. The message "Autobetical select" appears and scans and stores all the FM and FM RDS stations in the broadcast area.
3. When done, the message "FINISH" appears.

SOUND FIELD CLEAR MODE

The preset sound field is cleared when this mode is activated. Use this mode before returning the product to clients upon completion of repair.

Procedure:

1. While pressing the **[MUSIC]** button, press the **[I/⏻]** button to turn on the main power.
2. The message "S. F. Initialize" appears and initialization is performed.

ALL CLEAR MODE

All preset contents are cleared when this mode is activated. Use this mode before returning the product to clients upon completion of repair.

Procedure:

1. While pressing the **[INPUT MODE]** and **[MEMORY/ENTER]** buttons, press the **[I/⏻]** button to turn on the main power.
2. The message "MEMORY CLEARING..." appears and the memories are reset to the default values.
3. When done, the message "MEMORY CLEARED!" appears.

VOLUME CHECK MODE

Procedure:

1. While pressing the **[2CH]** and **[MEMORY/ENTER]** buttons, press the **[I/⏻]** button to turn on the main power.
2. Press the **[DISPLAY]** button.
3. The message "-∞dB" appears. (Volume level is "MIN")
4. Press the **[DISPLAY]** button once again.
5. The message "-57.5dB" appears. (Volume level is "MID")
6. Press the **[DISPLAY]** button once again.
7. The message "0.0dB" appears. (Volume level is "MAX")
8. Press the **[DISPLAY]** button once again.
9. The message "MUTING" appears. (Muting on)
10. Press the **[DISPLAY]** button once again.
11. The message "MUTING OFF" appears. (Muting off)

FLUORESCENT INDICATOR TUBE PATTERN CHECK MODE

All fluorescent segments are tested. When this test is activated, all segments turn on at the same time, then each segment turns on one after another.

Procedure:

1. While pressing the **[DISPLAY]** and **[MEMORY/ENTER]** buttons, press the **[I/⏻]** button to turn on the main power.
2. All segments and **[MULTI CHANNEL DECODING]** indicator LED turn on.

COMMAND MODE CHANGE MODE

The command mode of the remote-commander which this set receives can be changed.

Procedure:

1. While pressing the **[INPUT MODE]** button, press the **[I/⏻]** button to turn on the main power.
2. Either the message "COMMAND MODE [AV1]" or "COMMAND MODE [AV2]" appears. Select the desired mode.

SF LOCK ON/OFF CHANGE MODE

Procedure:

1. While pressing the **[MUSIC]** and **[MEMORY/CLEAR]** buttons, press the **[I/⏻]** button to turn on the main power.
2. Either the message "SF LOCK [OFF]" or "SF LOCK [ON]" appears.

SPECIAL MENU MODE

About the special menu mode, refer to SUPPLEMENT-1.

SECTION 5 ELECTRICAL ADJUSTMENTS

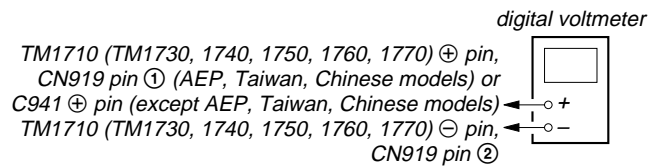
DC OFFSET ADJUSTMENT

Condition:

function: MULTI CH 2

input signal: no signal (no load)

volume: 0 dB

Connection

Procedure:

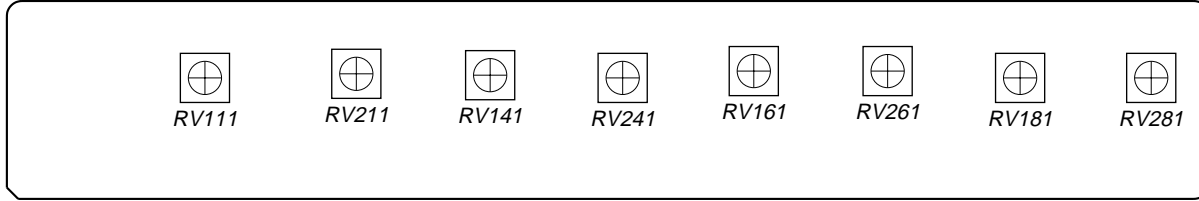
1. Connect a digital voltmeter to the TM1710 (TM1730, 1740, 1750, 1760, 1770) on the D-AMP board, CN919 (AEP, Taiwan, Chinese models) and C941 (except AEP, Taiwan, Chinese models) on the REG board.
2. Press the button to turn on the main power.
3. Adjust the RV111 (141, 161, 181, 211, 241, 261, 281) so that the digital voltmeter reading is ± 20 mV. (Only adjustment use RV261, digital voltmeter reading is $^{+40}_{-0}$ mV)

Adjustment and Connection Location: see page 16

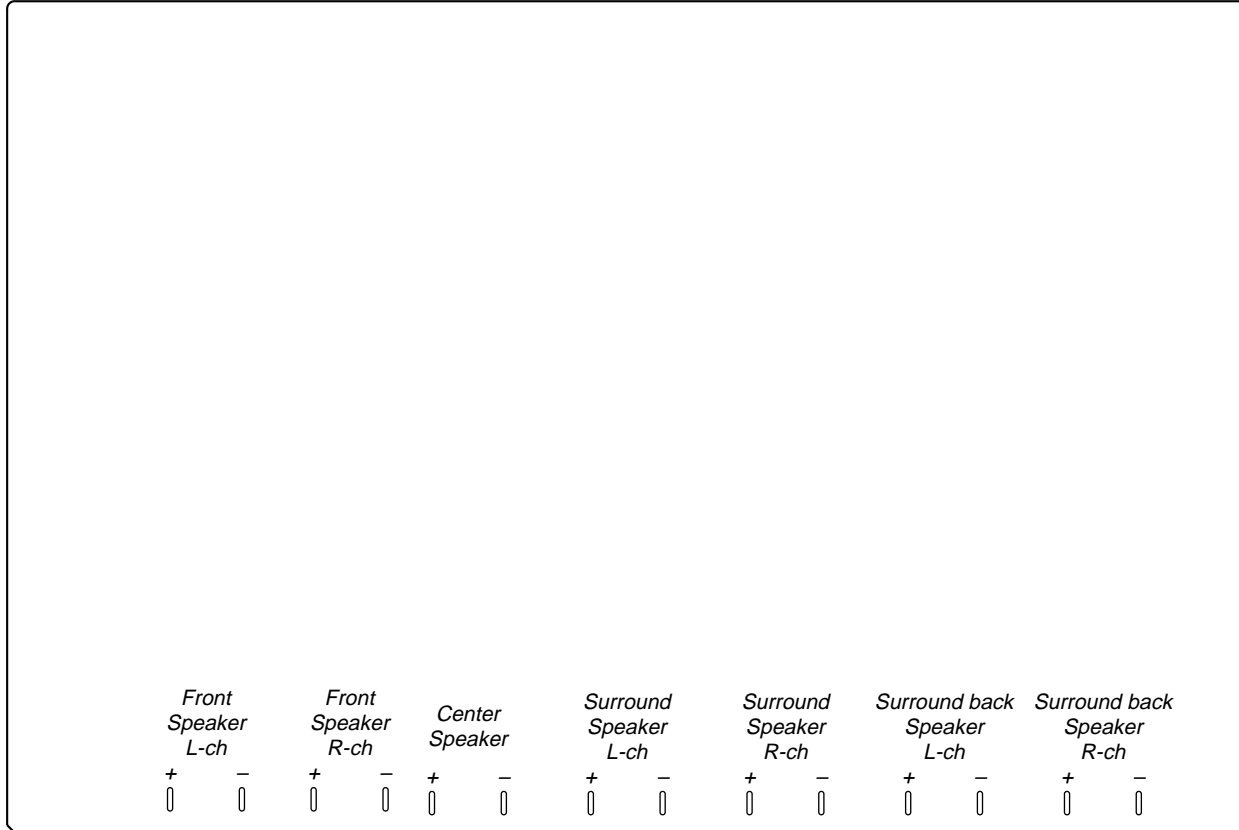
STR-DA5000ES

Adjustment and Connection Location:

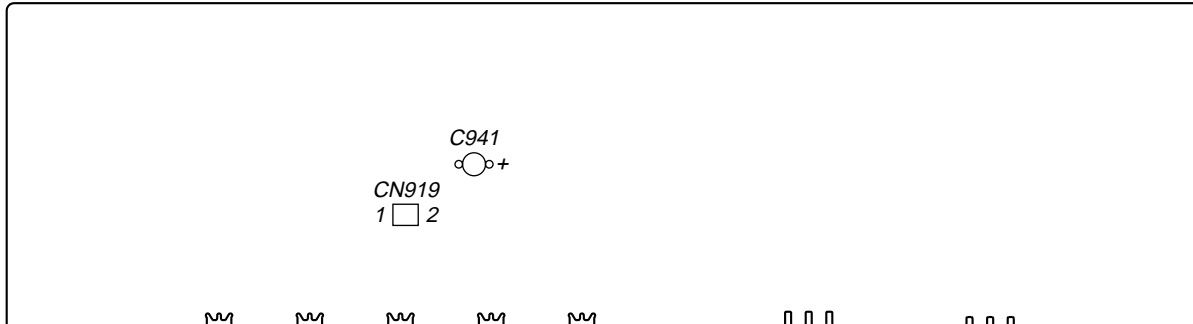
- ANALOG SUB BOARD (Component Side) -



- D-AMP BOARD (Conductor Side) -

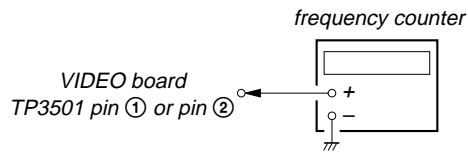


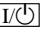


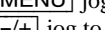
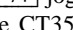
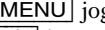
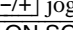
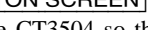
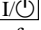
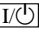

- REG BOARD (Conductor Side) -



OSD ADJUSTMENT

Connection

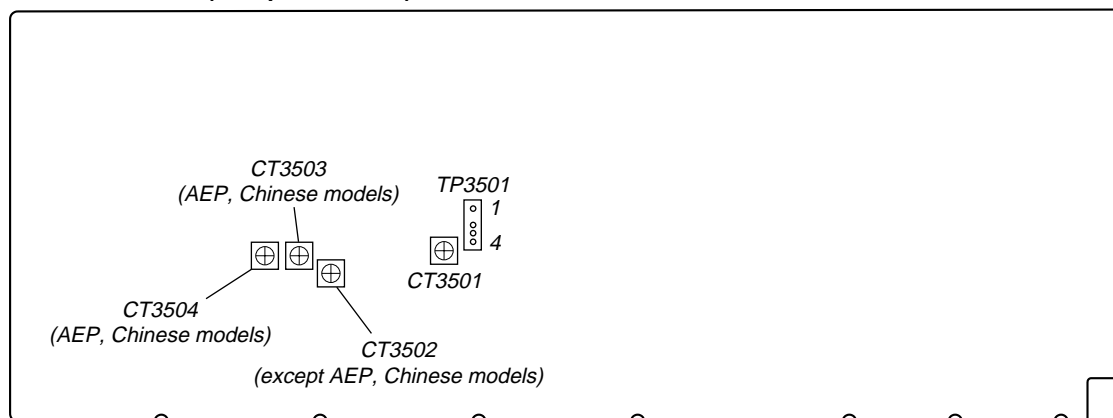


1. Short the TP3501 pin ④ on the VIDEO board to the GND.
2. Connect a frequency counter to the TP3501 pin ② on the VIDEO board.
3. Press the  button to turn on the main power.
4. Press the  button on the remote commander.
5. Turn the  jog to display "CUSTOMIZE".
6. Turn the  jog to display "COLOR SYSTEM".
7. Turn the  jog to display "NTSC".
8. Adjust the CT3502 (US, Canadian and Taiwan models) or CT3503 (except US, Canadian and Taiwan models) so that the frequency counter reading is 3.579545 ± 0.05 MHz.
9. Turn the  jog to display "COLOR SYSTEM".
10. Turn the  jog to display "PAL".
11. Press the  button on the remote commander.
12. Adjust the CT3504 so that the frequency counter reading is 4.433618 ± 0.05 MHz.
13. Press the  button to turn off the main power.
14. Connect a frequency counter to the CN3501 pin ① on the VIDEO board.
15. Press the  button to turn on the main power.
16. Press the  button on the remote commander.
17. Adjust the CT3501 so that the frequency counter reading is 7.20 ± 0.01 MHz.

Note: The steps 5 to 7 and 9 to 12 should be performed to the models except for the US, Canadian and Taiwan.

Adjustment and Connection Location:

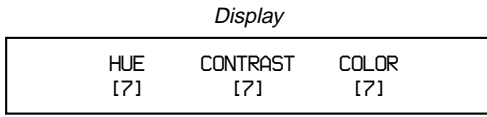
– VIDEO BOARD (Component Side) –



UP CONVERT SIGNAL LEVEL ADJUSTMENT

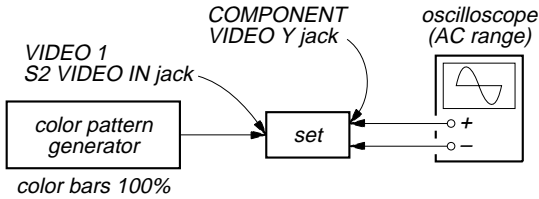
Enter the test mode

1. In the standby status, press the **[I/O]** button while pressing the **[INPUT MODE]** and **[DISPLAY]** buttons.
2. It enters the test mode, and display as below figure.



1. Y Level Adjustment

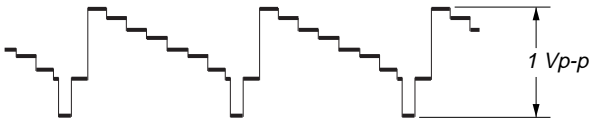
Setting:



Procedure:

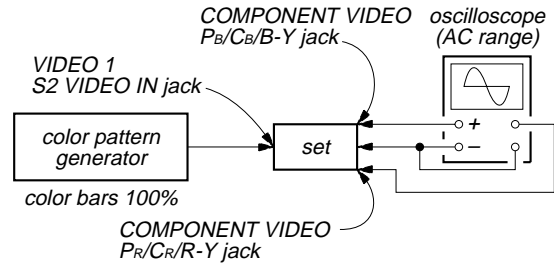
1. Connect a color pattern generator to the VIDEO 1 S2 VIDEO IN jack, and connect an oscilloscope to the COMPONENT VIDEO Y jack.
2. Enter the test mode.
3. Input color bars signal from the color pattern generator.
4. Adjust the **[MENU]** knob so that the V_{p-p} value of waveform becomes 1 V_{p-p} .

Y waveform:



2. Color Level Adjustment

Setting:



Procedure:

1. Connect a color pattern generator to the VIDEO 1 S2 VIDEO IN jack, and connect an oscilloscope to the COMPONENT VIDEO Pb/Cb/B-Y jack and COMPONENT VIDEO Pr/Cr/R-Y jack.
2. Enter the test mode.
3. Input color bars signal from the color pattern generator.
4. Display two waveforms of C_B and C_R simultaneously.
5. Adjust the **[-/+]** knob so that the V_{p-p} value of waveforms of C_B and C_R both may be most set to 0.7V closely.

C_B waveform:

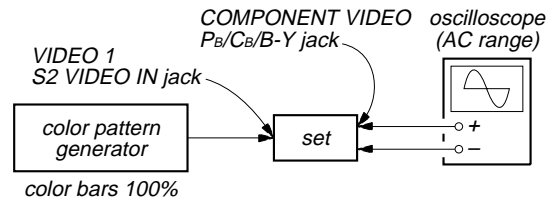


C_R waveform:



3. HUE Level Adjustment

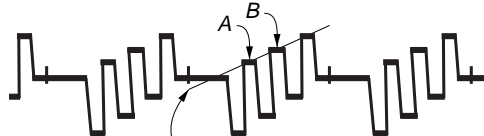
Setting:



Procedure:

1. Connect a color pattern generator to the VIDEO 1 S2 VIDEO IN jack, and connect an oscilloscope to the COMPONENT VIDEO Pb/Cb/B-Y jack.
2. Enter the test mode.
3. Input color bars signal from the color pattern generator.
4. Adjust the **[MAIN MENU]** knob so that the waveform as bellow.

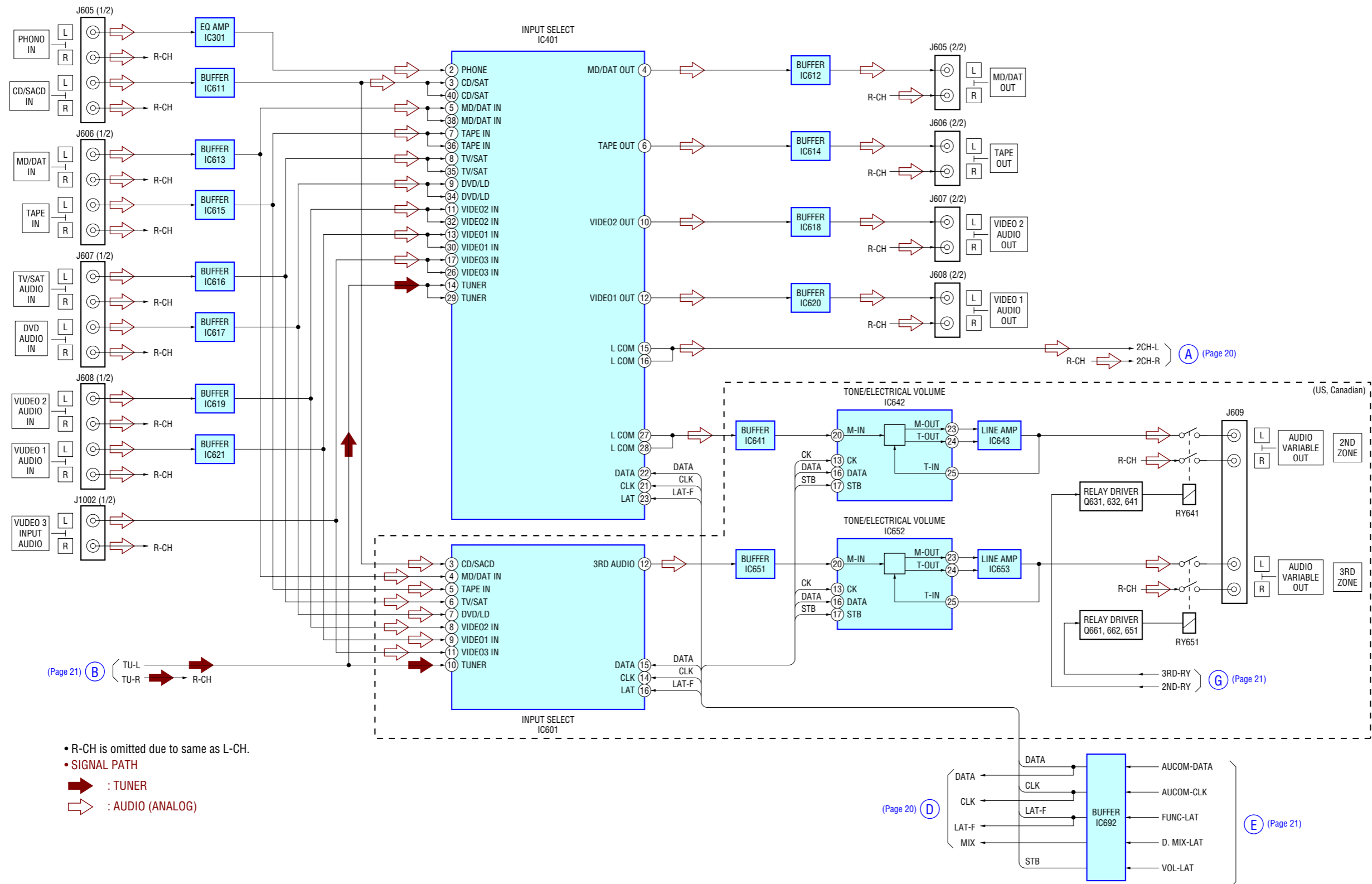
C_B waveform:



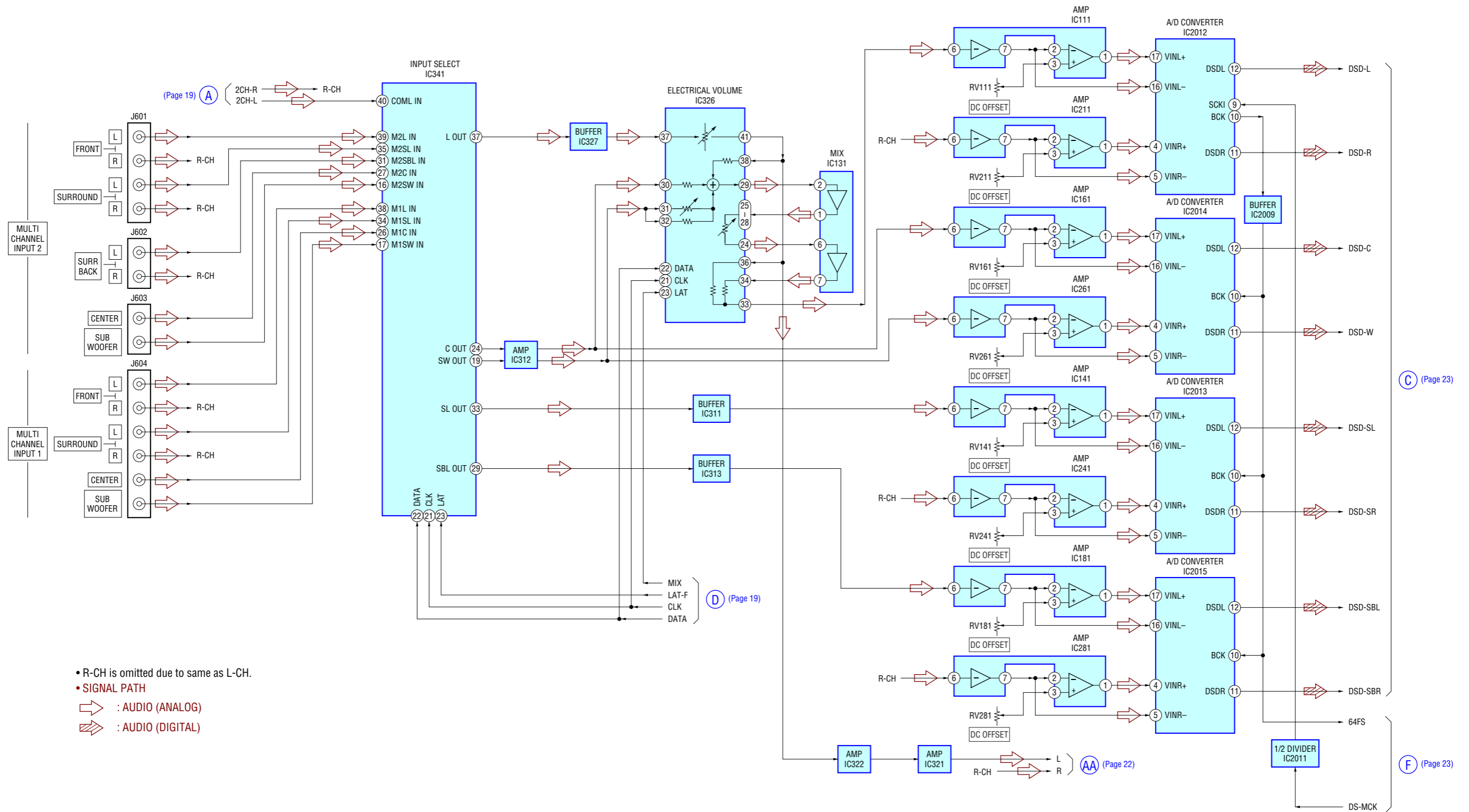
Adjust so that the height of A and B may be located in a line on this line.

SECTION 6 DIAGRAMS

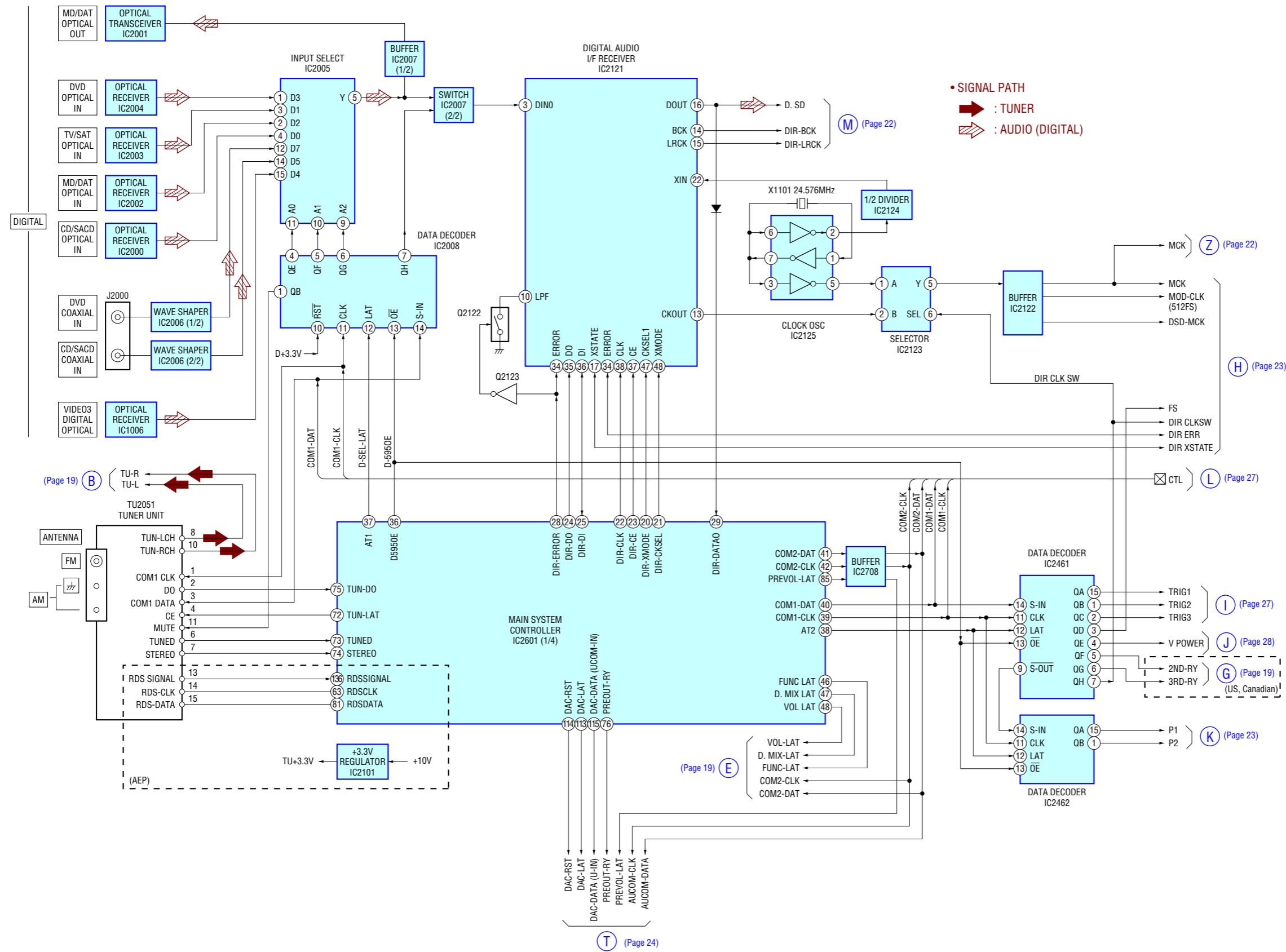
6-1. BLOCK DIAGRAM – AUDIO IN Section –



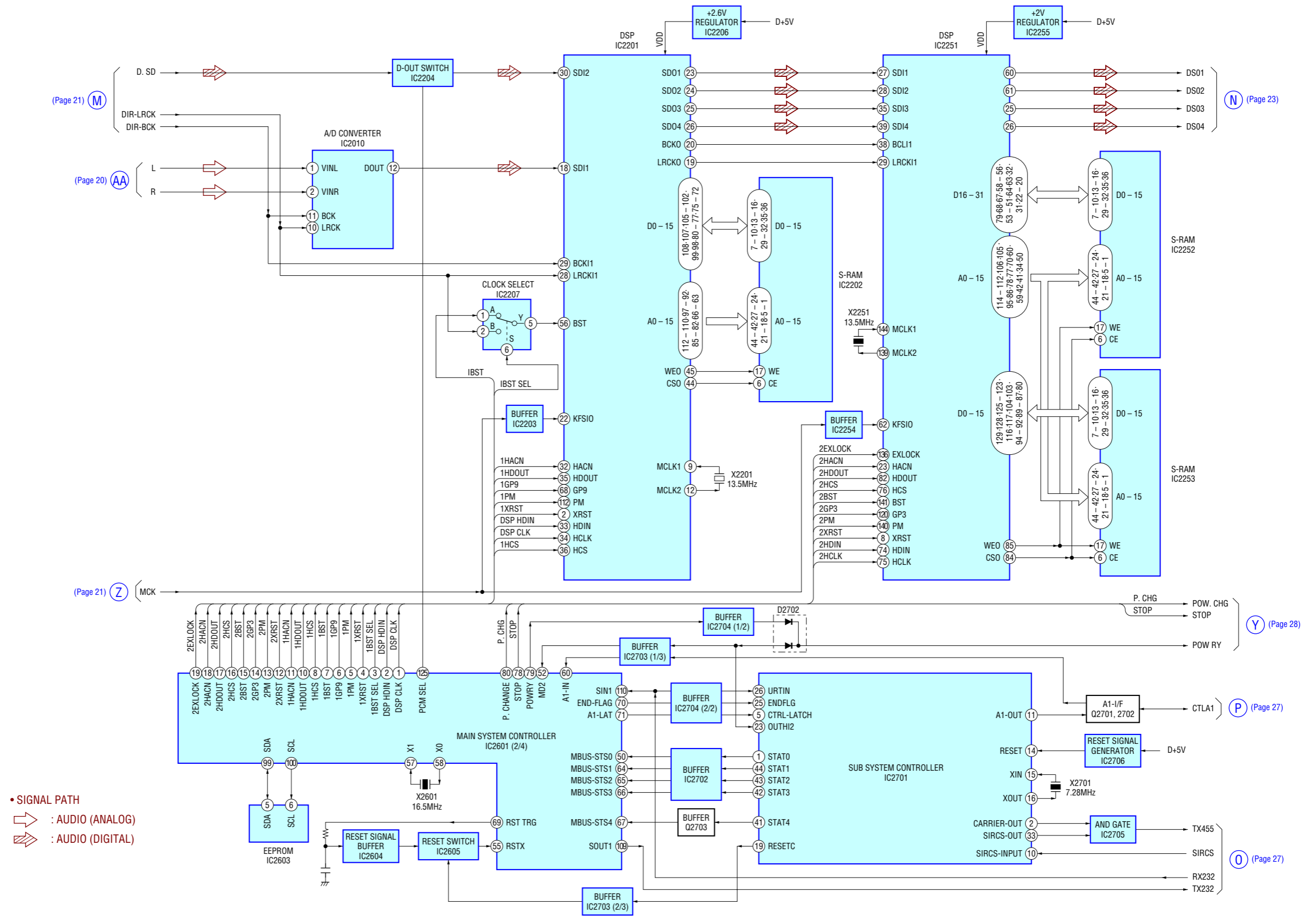
6-2. BLOCK DIAGRAM – ELECTRICAL VOLUME Section –



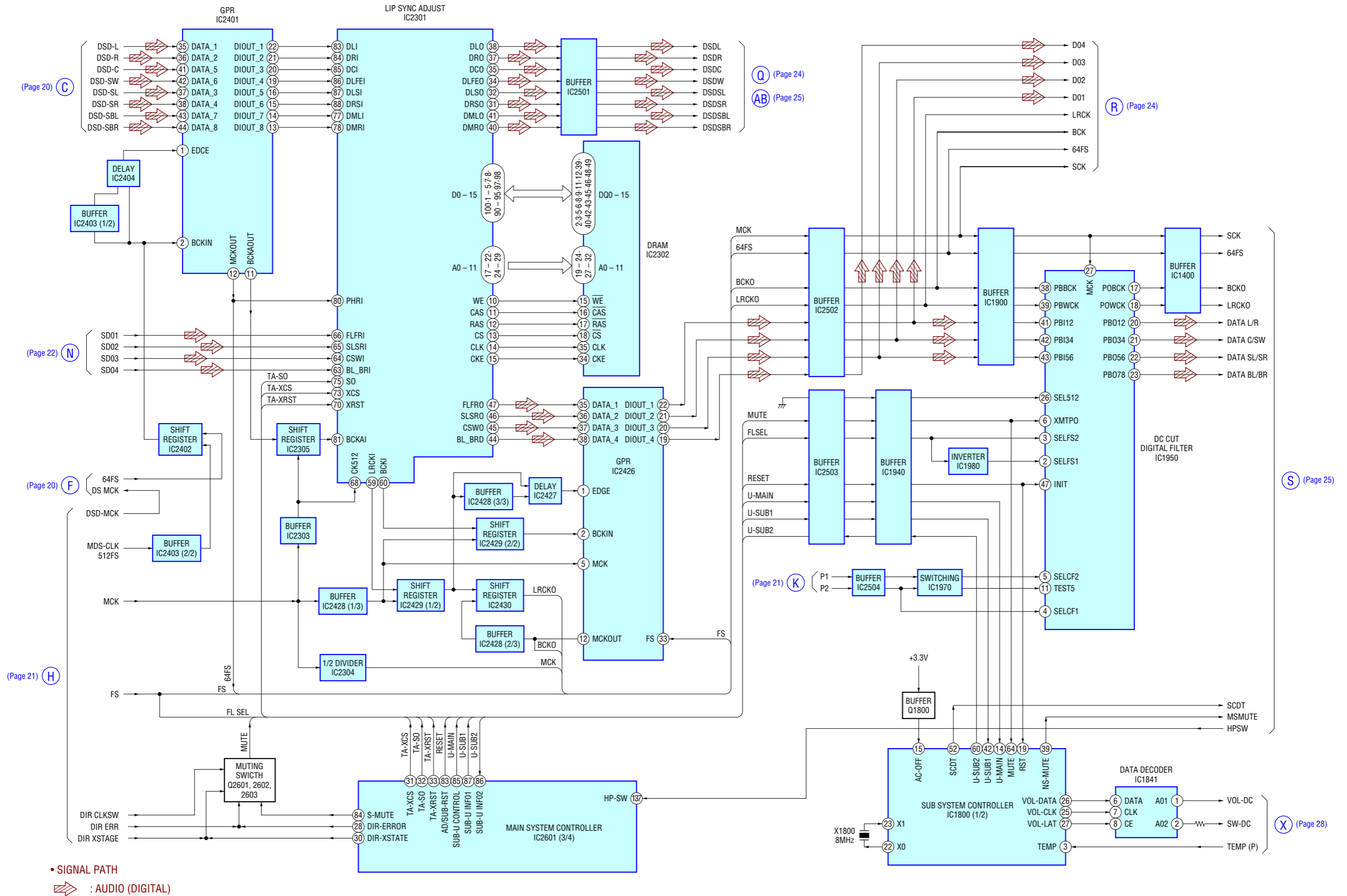
6-3. BLOCK DIAGRAM – DIGITAL 1 Section –



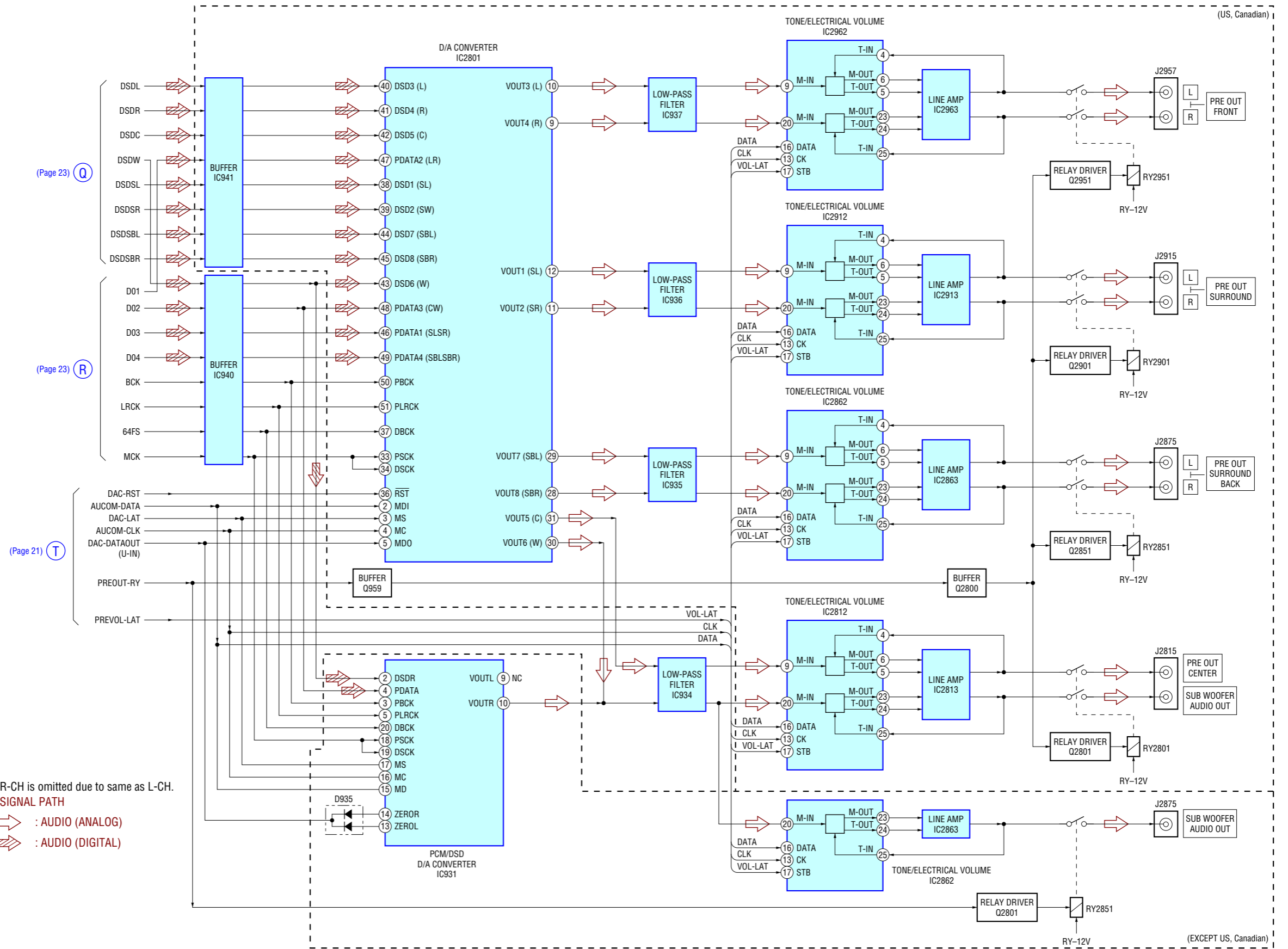
6-4. BLOCK DIAGRAM – DIGITAL 2 Section –



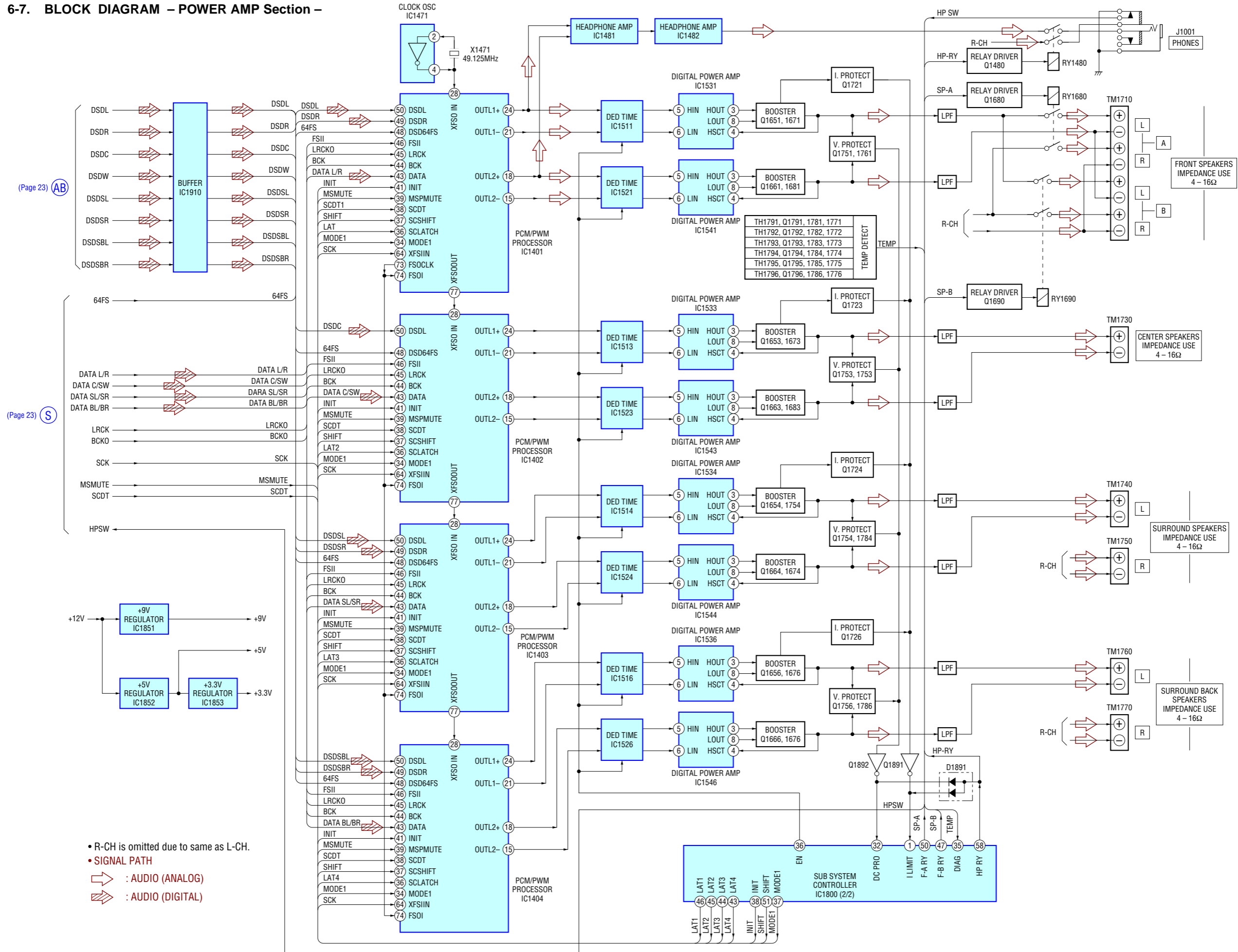
6-5. BLOCK DIAGRAM – DIGITAL 3 Section –



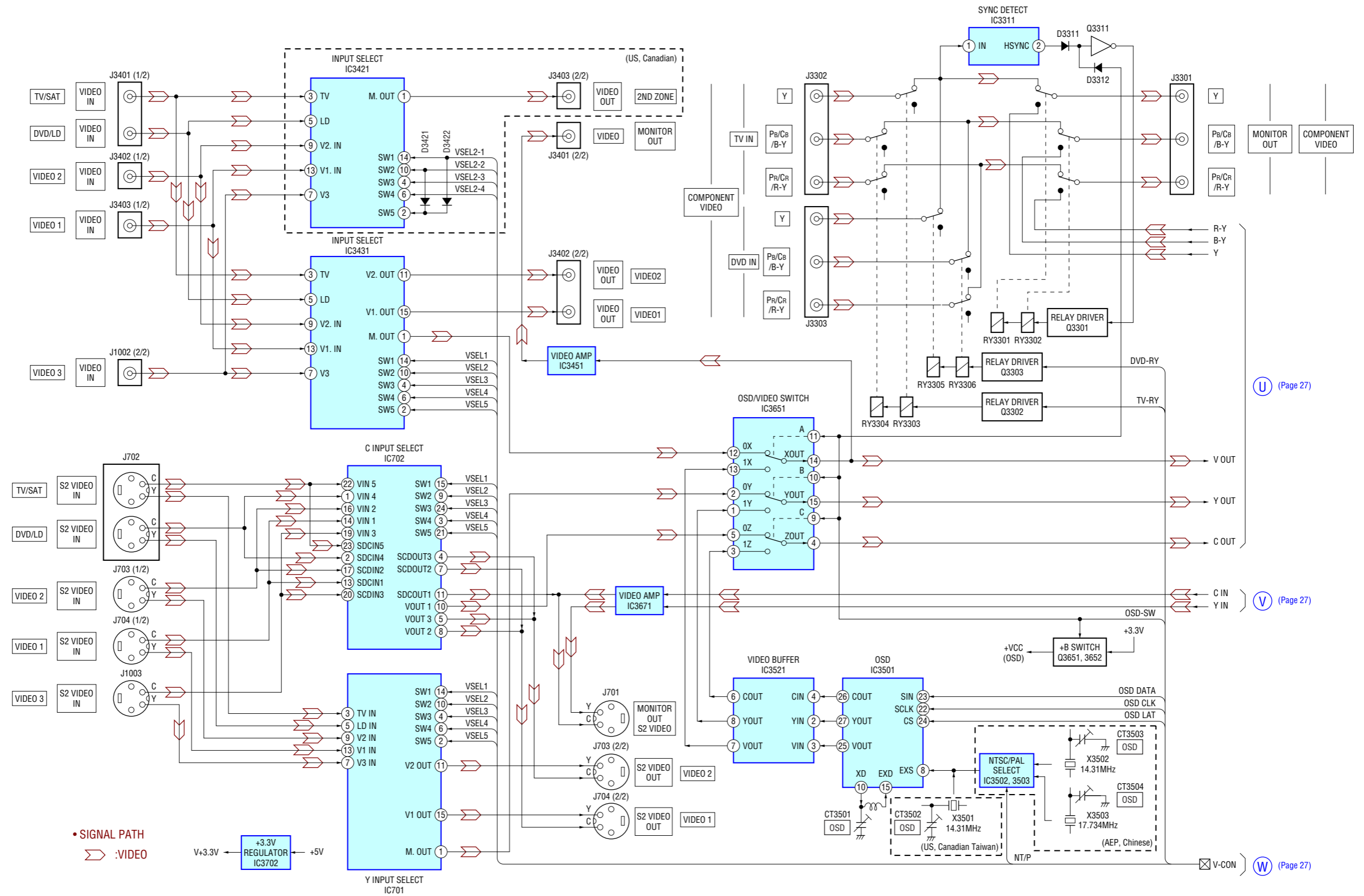
6-6. BLOCK DIAGRAM – PRE OUT Section –



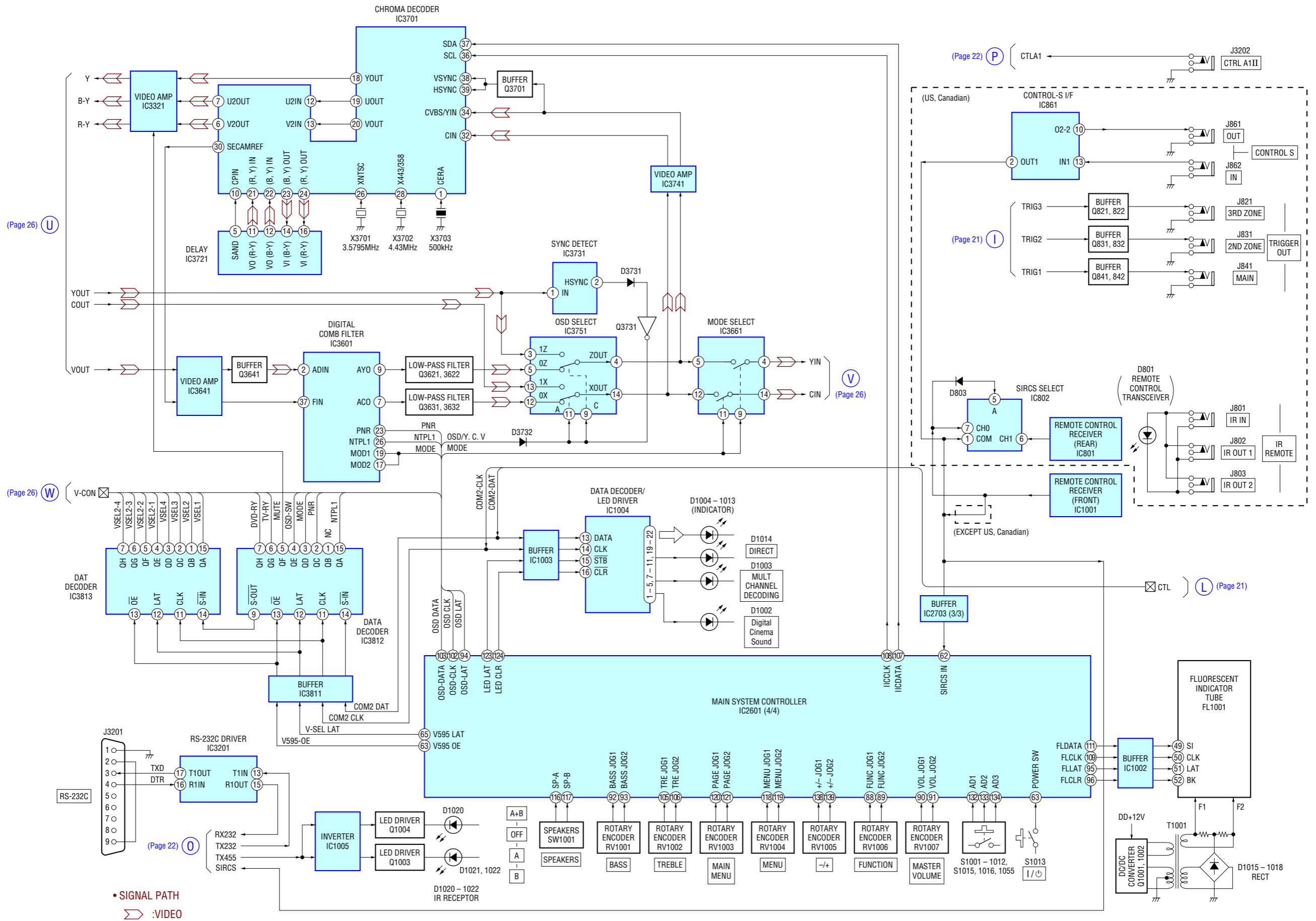
6-7. BLOCK DIAGRAM – POWER AMP Section –



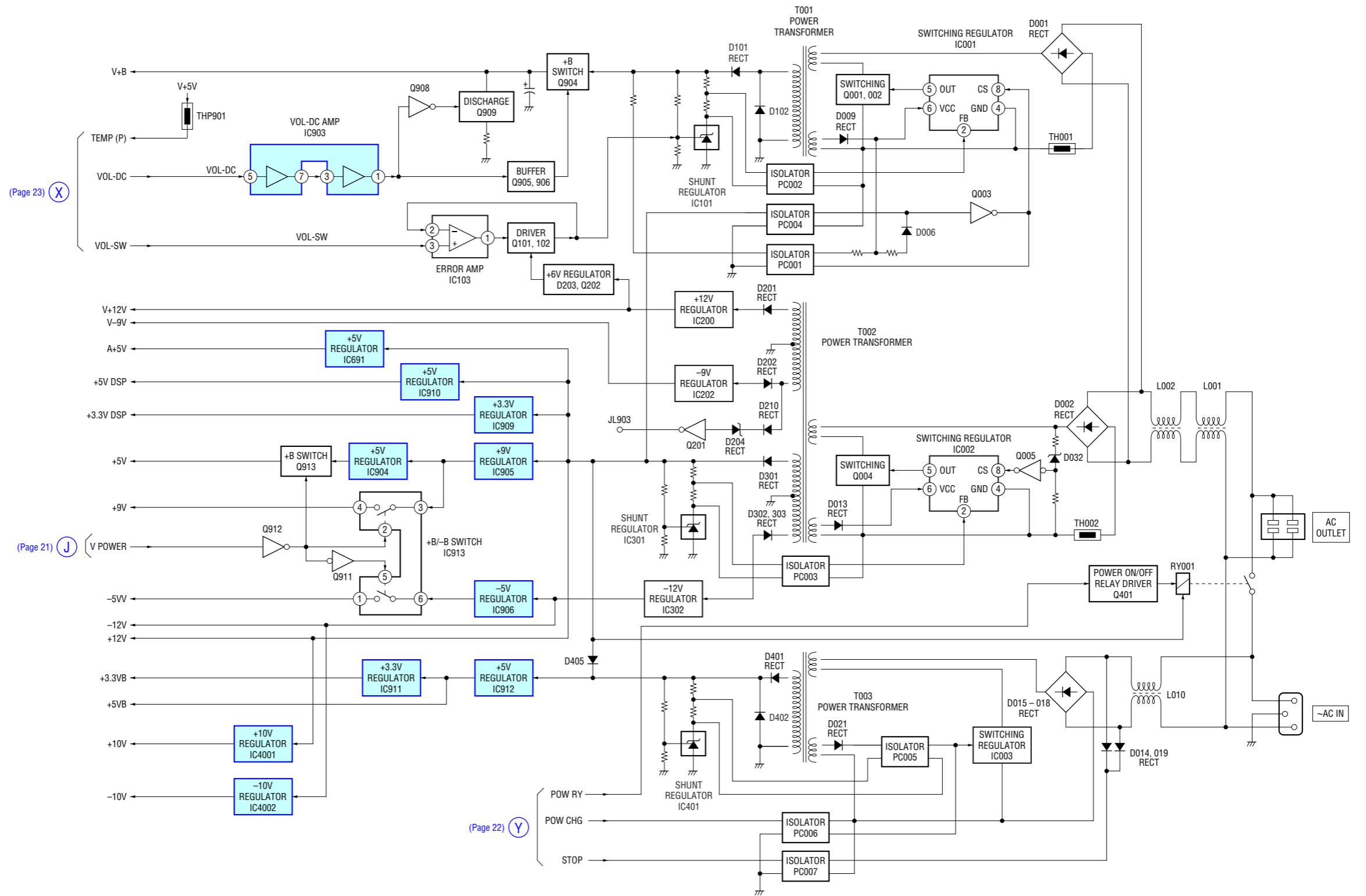
6-8. BLOCK DIAGRAM – VIDEO IN Section –



6-9. BLOCK DIAGRAM – CIS/DISPLAY Section –



6-10. BLOCK DIAGRAM – POWER SUPPLY Section –



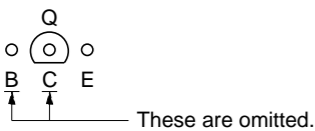
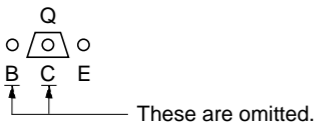
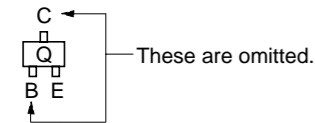
6-11. NOTE FOR PRINTED WIRING BOARDS AND SCHEMATIC DIAGRAMS

Note on Printed Wiring Board:

- : parts extracted from the component side.
- : parts extracted from the conductor side.
- : Through hole.
- △ : internal component.
- : Pattern from the side which enables seeing. (The other layers' patterns are not indicated.)

Caution:
 Pattern face side: Parts on the pattern face side seen from the pattern face are indicated.
 Conductor Side)
 Parts face side: Parts on the parts face side seen from the parts face are indicated.
 (Component Side)

Indication of transistor



- ANALOG SUB, DIGITAL, D-AMP and REG boards are multi-layer printed board. However, the patterns of intermediate layers have not been included in this diagrams.

Note on Schematic Diagram:

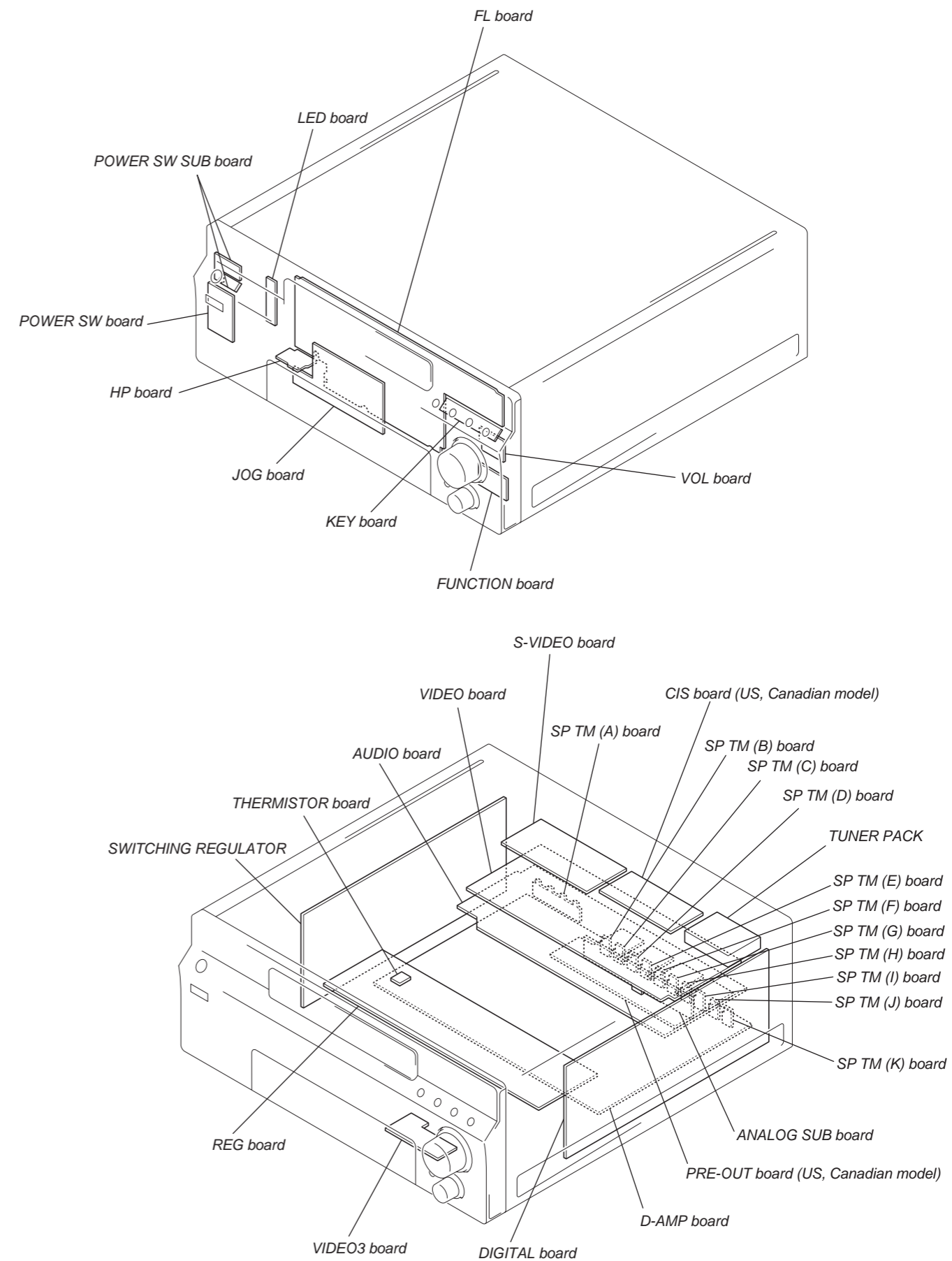
- All capacitors are in μF unless otherwise noted. pF: $\mu\mu F$ 50 WV or less are not indicated except for electrolytics and tantalums.
- All resistors are in Ω and $1/4 W$ or less unless otherwise specified.
- △ : internal component.
- : nonflammable resistor.
- : panel designation.


Note:
 The components identified by mark △ or dotted line with mark △ are critical for safety. Replace only with part number specified.
Note:
 Les composants identifiés par une marque △ sont critiques pour la sécurité. Ne les remplacer que par une pièce portant le numéro spécifié.

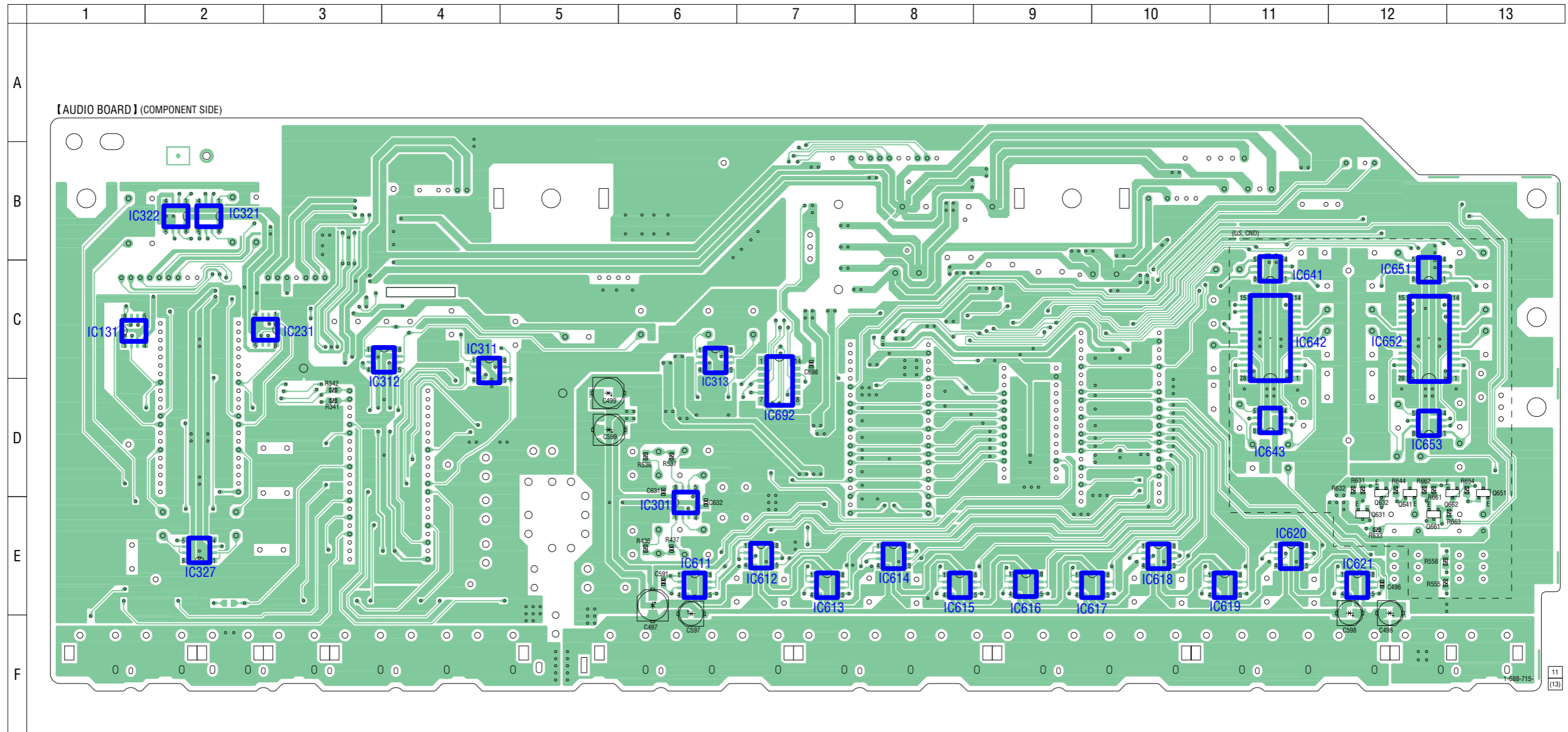
以阴影和△标志来识别的零部件在安全方面具有关键性。因此只能以规定号码的零部件来更换。

- : B+ Line.
- : B- Line.
- : adjustment for repair.
- Voltages and waveforms are dc with respect to ground under no-signal (detuned) conditions.
 - VIDEO, S-VIDEO boards – no mark : VIDEO 1 mode (NTSC color bar input)
 - Other boards – no mark : TUNER
- Voltages are taken with a VOM (Input impedance 10 M Ω). Voltage variations may be noted due to normal production tolerances.
- Waveforms are taken with a oscilloscope. Voltage variations may be noted due to normal production tolerances.
- Circled numbers refer to waveforms.
- Signal path.
 - ➡ : TUNER
 - ➡ : AUDIO (ANALOG)
 - ➡ : AUDIO (DIGITAL)
 - ➡ : VIDEO
- Abbreviation
 - CH : Chinese model
 - CND : Canadian model
 - TW : Taiwan model

Circuit Boards Location




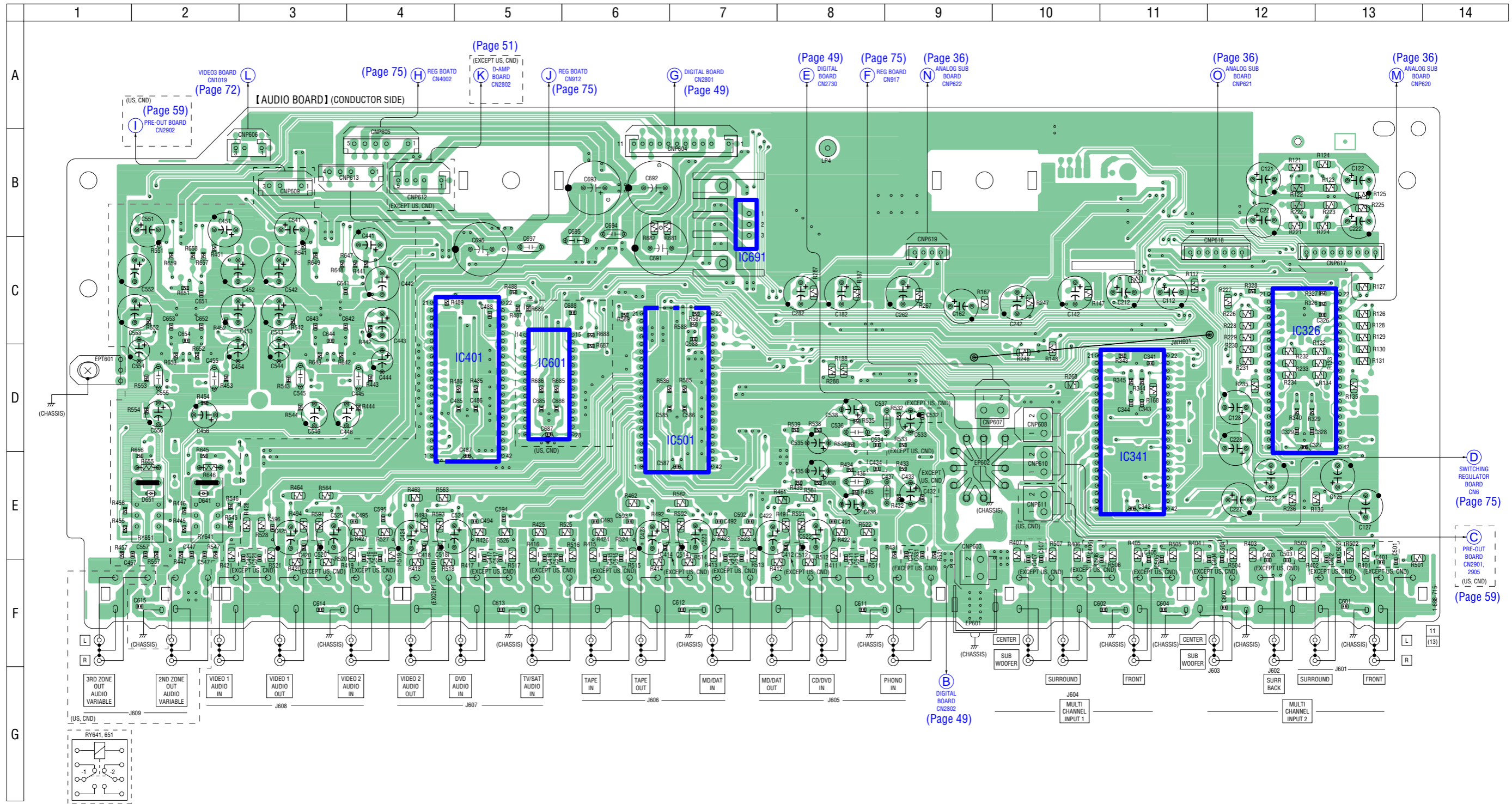
6-12. PRINTED WIRING BOARD – AUDIO Board (Component Side) – • See page 29 for Circuit Boards Location.  :Uses unleaded solder.



• Semiconductor Location

Ref. No.	Location	Ref. No.	Location
IC131	A-1	IC619	E-11
IC231	C-3	IC620	E-11
IC301	E-6	IC621	E-12
IC311	C-4	IC641	C-11
IC312	C-4	IC642	C-11
IC313	C-6	IC643	D-11
IC321	B-2	IC651	C-12
IC322	B-2	IC652	C-12
IC327	E-2	IC653	D-12
IC611	E-6	IC692	D-7
IC612	E-7		
IC613	E-7	Q631	D-12
IC614	E-8	Q632	D-12
IC615	E-8	Q641	D-12
IC616	E-9	Q651	D-13
IC617	E-10	Q661	D-12
IC618	E-10	Q662	D-12

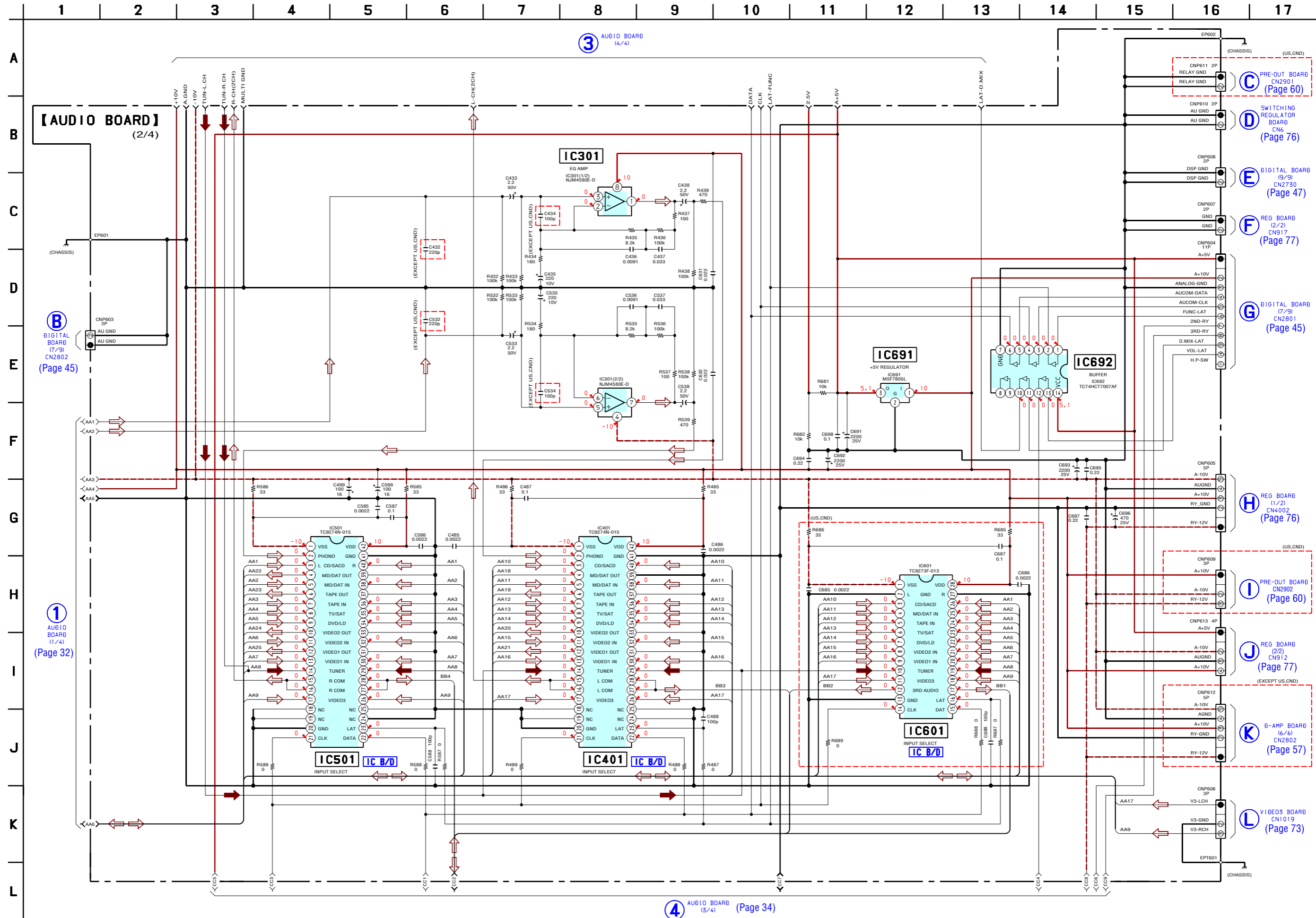
6-13. PRINTED WIRING BOARD – AUDIO Board (Conductor Side) – • See page 29 for Circuit Boards Location.  :Uses unleaded solder.



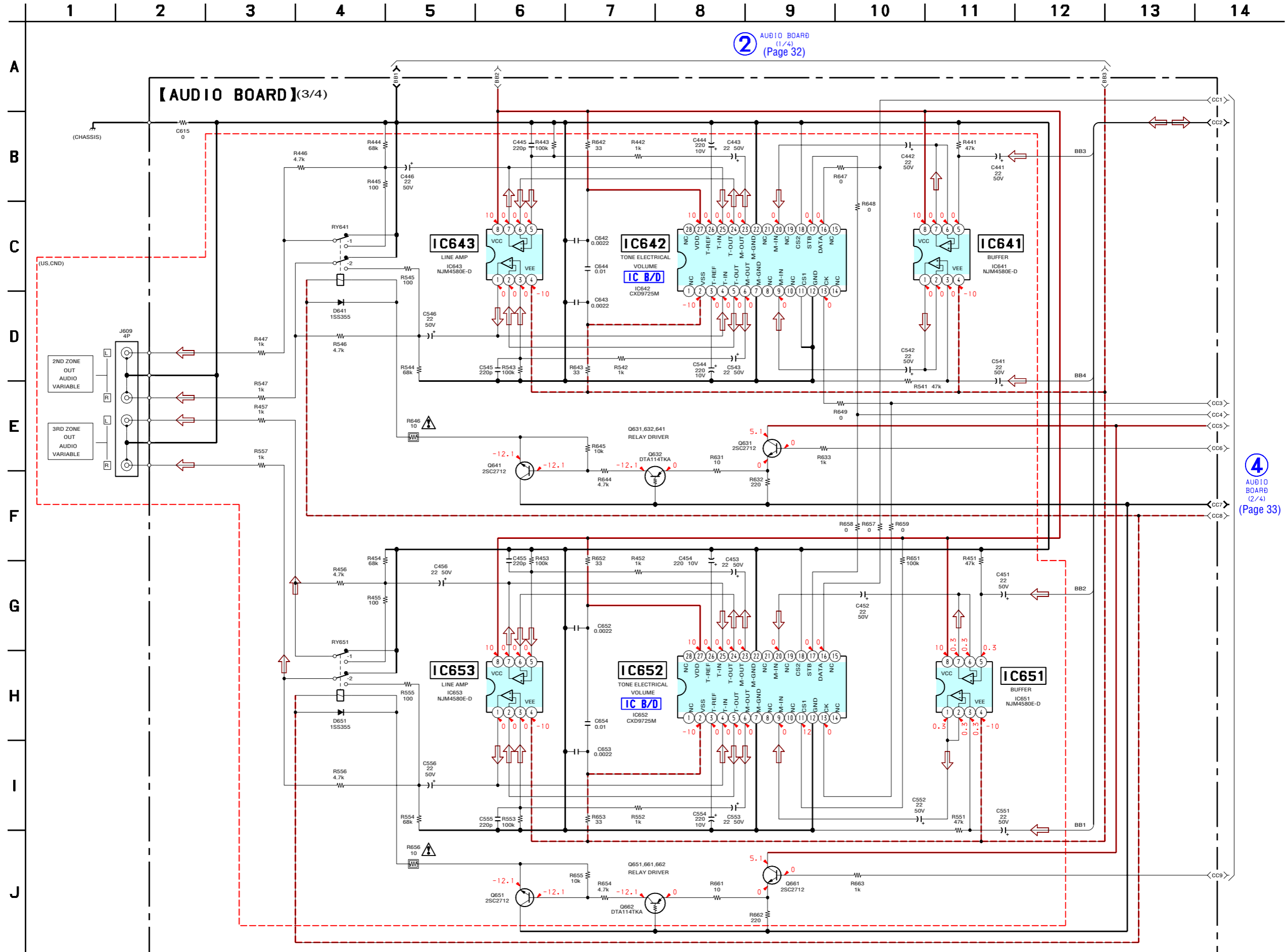
• Semiconductor Location

Ref. No.	Location
D641	E-2
D651	E-2
IC326	D-12
IC341	D-11
IC401	D-5
IC501	D-7
IC601	D-5
IC691	B-7

6-15. SCHEMATIC DIAGRAM – AUDIO Board (2/4) – • See page 78 for IC Block Diagrams.



4 AUDIO BOARD (5/4) (Page 34)



2 AUDIO BOARD (1/4) (Page 32)

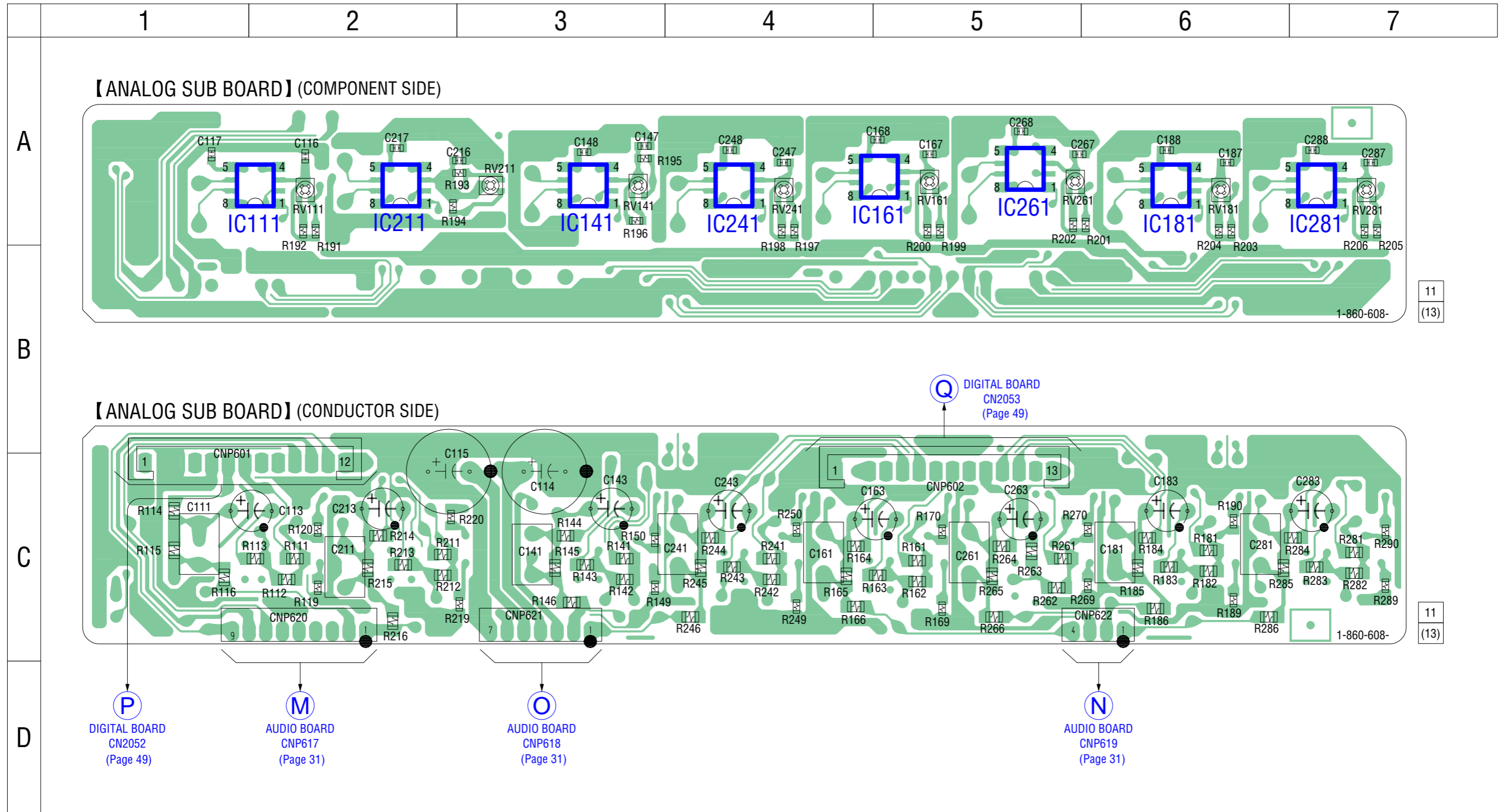
4 AUDIO BOARD (2/4) (Page 33)

The components identified by mark Δ or dotted line with mark Δ are critical for safety. Replace only with part number specified.

Les composants identifiés par une marque Δ sont critiques pour la sécurité. Ne les remplacer que par une pièce portant le numéro spécifié.

以阴影和 Δ 标志来识别的零部件在安全方面具有关键性。因此只能以规定号码的零部件来更换。

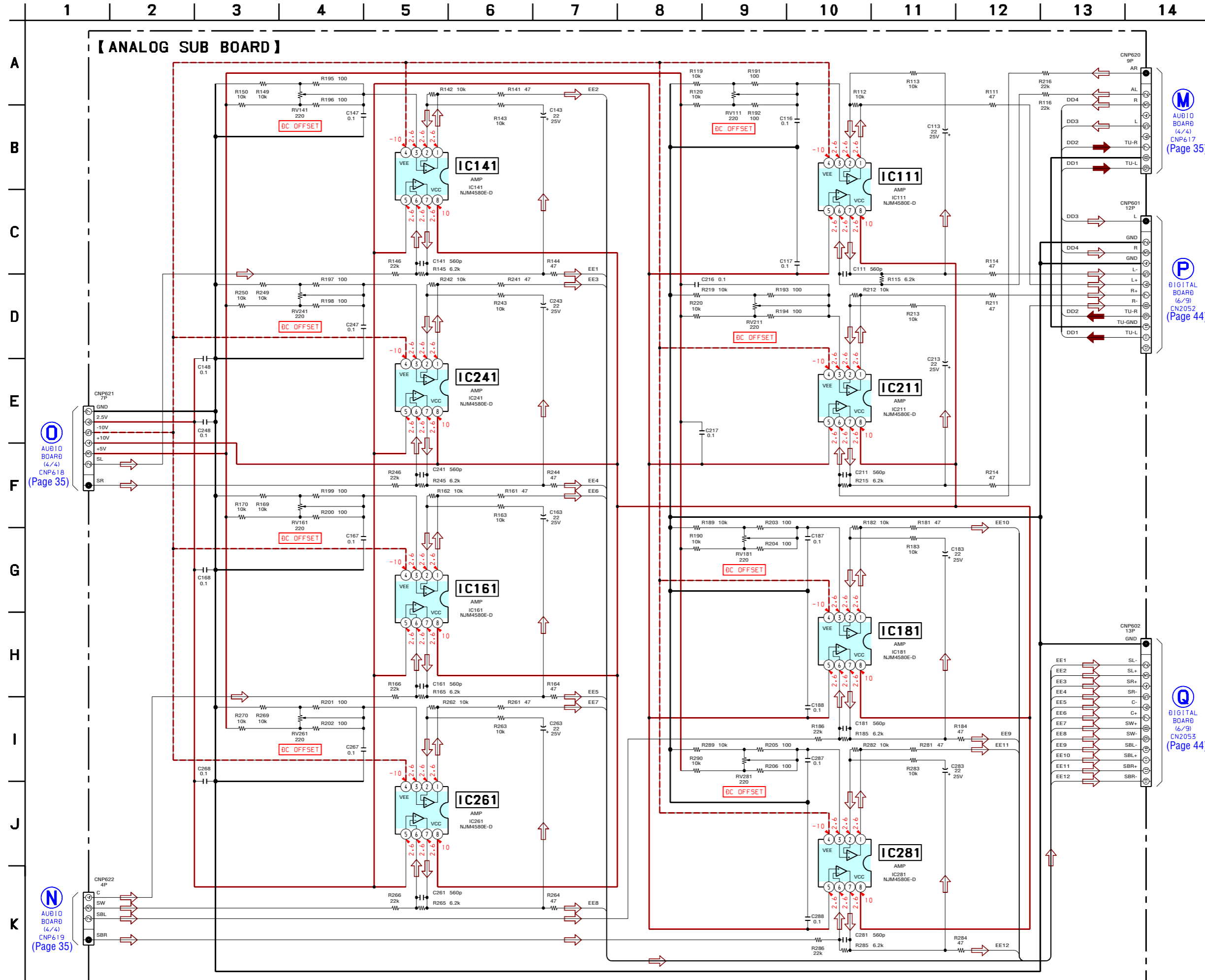
6-18. PRINTED WIRING BOARD – ANALOG SUB Board – • See page 29 for Circuit Boards Location.  :Uses unleaded solder.



• Semiconductor Location

Ref. No.	Location
IC111	A-1
IC141	A-3
IC161	A-5
IC181	A-6
IC211	A-2
IC241	A-4
IC261	A-5
IC281	A-7

6-19. SCHEMATIC DIAGRAM – ANALOG SUB Board –



M
AUDIO BOARD (4/4)
CNP617
(Page 35)

P
DIGITAL BOARD (6/9)
CN2052
(Page 44)

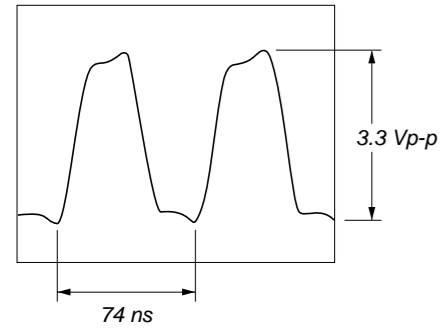
Q
DIGITAL BOARD (6/9)
CN2053
(Page 44)

O
AUDIO BOARD (4/4)
CNP618
(Page 35)

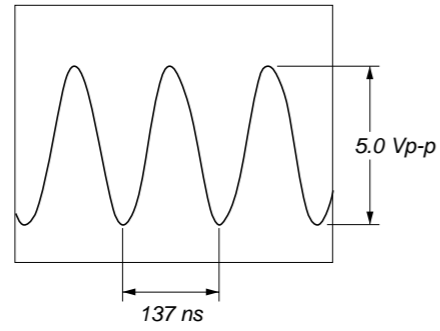
N
AUDIO BOARD (4/4)
CNP619
(Page 35)

• Waveforms
– DIGITAL Board –

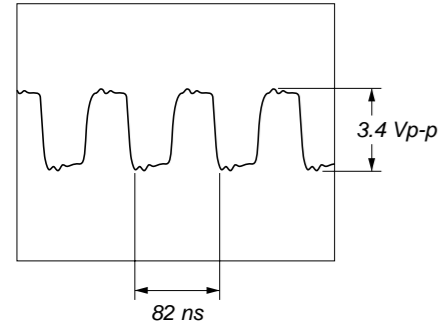
① IC2201 ⑫ (MCLK2)



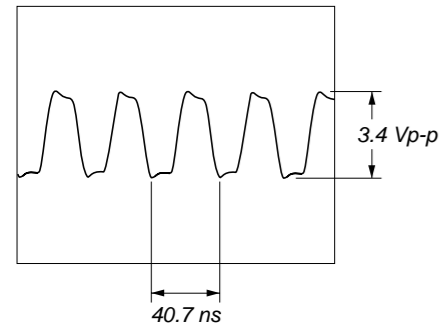
⑥ IC2701 ⑯ (XOUT)



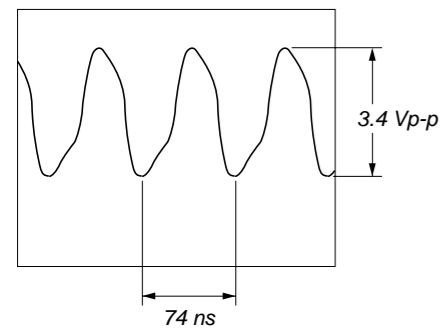
② IC2121 ⑰ (XIN)



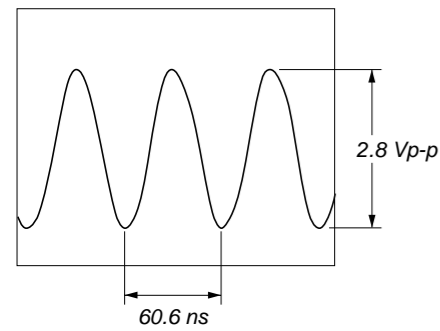
③ IC2125 ⑬ (A2)



④ IC2251 ⑪ (MCLK2)

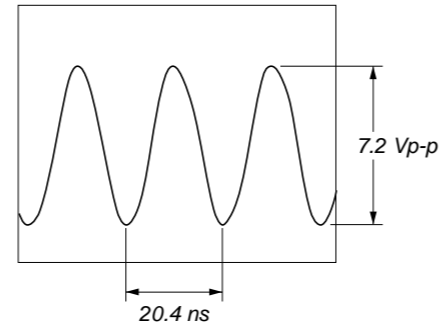


⑤ IC2601 ⑭ (XO)

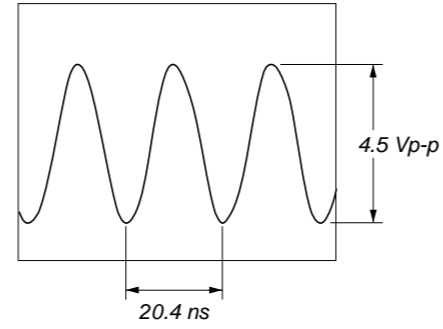


– D-AMP Board –

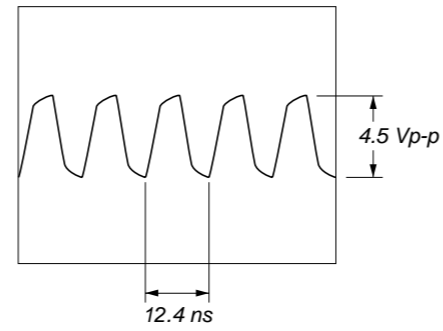
⑪ IC1471 ④ (Y)



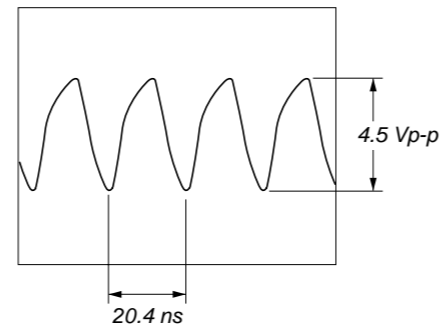
⑫ IC1401 ⑳ (XFSOIN)



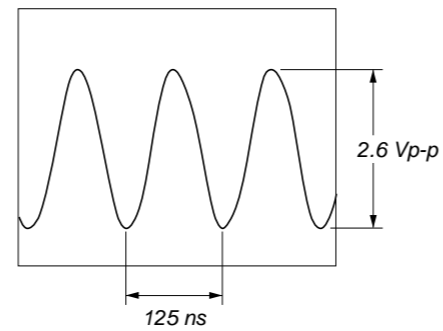
⑬ IC1401 ②④ (XFSIIN)



⑭ IC1401 ⑦⑩ (XFSOOUT)

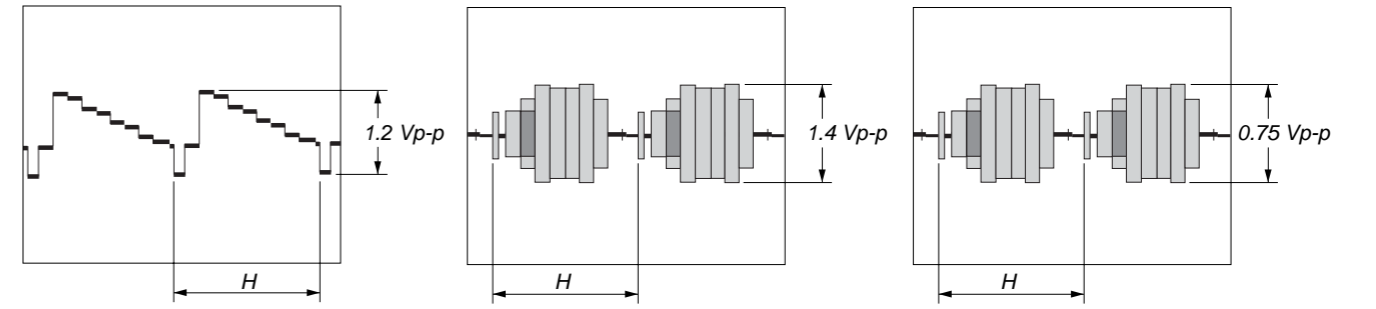


⑮ IC1800 ⑳ (XO)

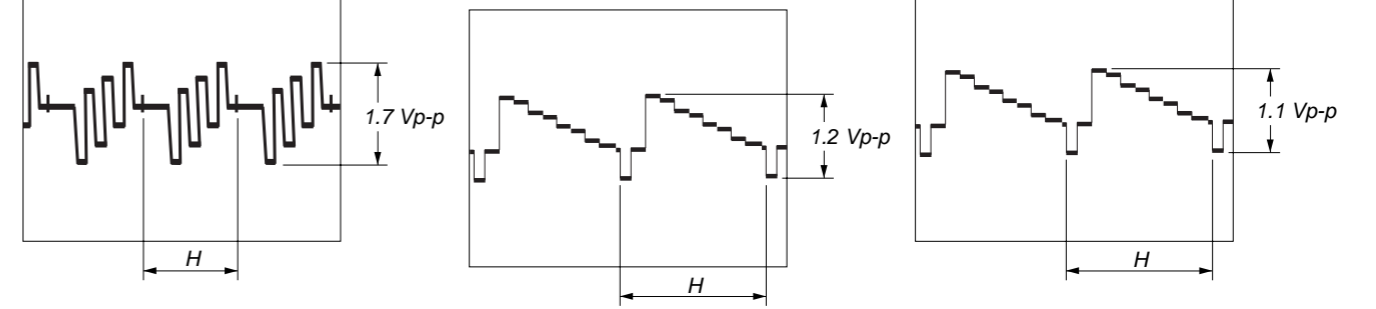


– VIDEO Board –

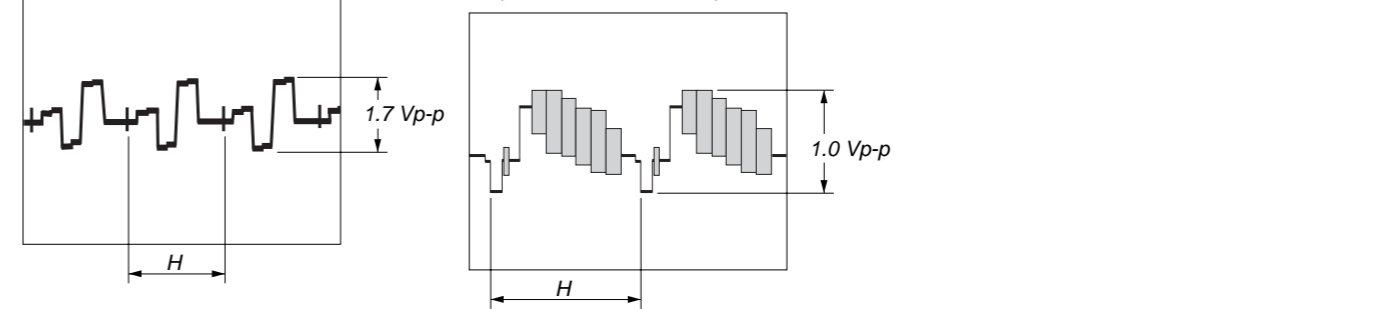
⑳ IC3701 ⑱ (YOUT) (NTSC color bar mode) ㉔ IC3701 ㉒ (CIN) (NTSC color bar mode) ㉓ IC3601 ⑦ (ACO) (NTSC color bar mode)



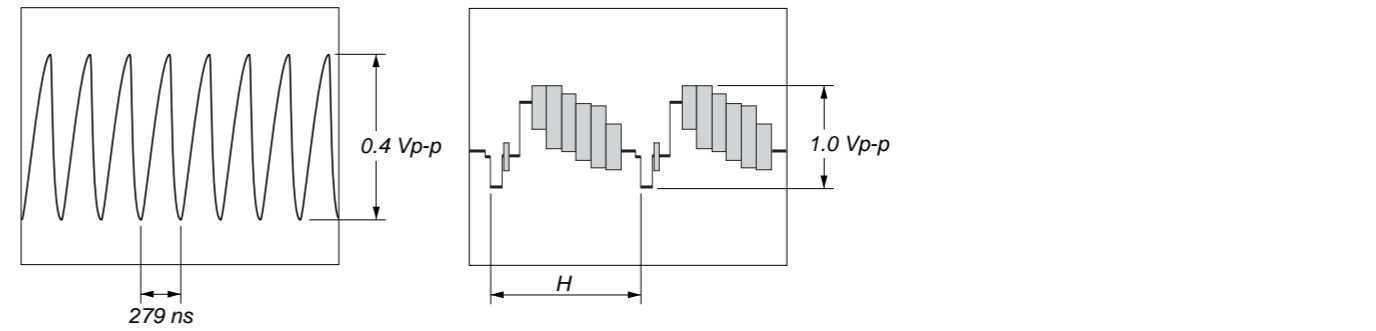
㉕ IC3701 ⑰ (UOUT) (NTSC color bar mode) ㉖ IC3701 ㉑ (CVBS/Y IN) (NTSC color bar mode) ㉔ IC3601 ⑨ (AYO) (NTSC color bar mode)



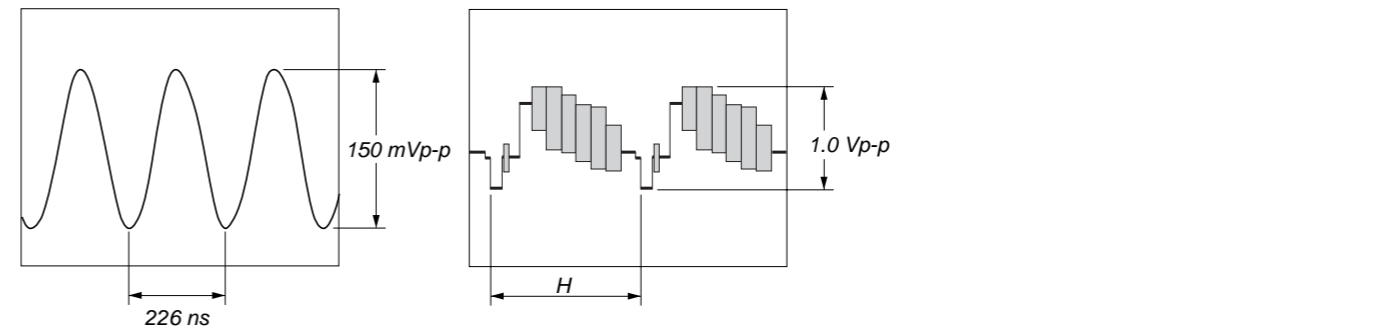
㉕ IC3701 ⑳ (VOUT) (NTSC color bar mode) ㉗ IC3451 ④ (VOUT1) (NTSC color bar mode)



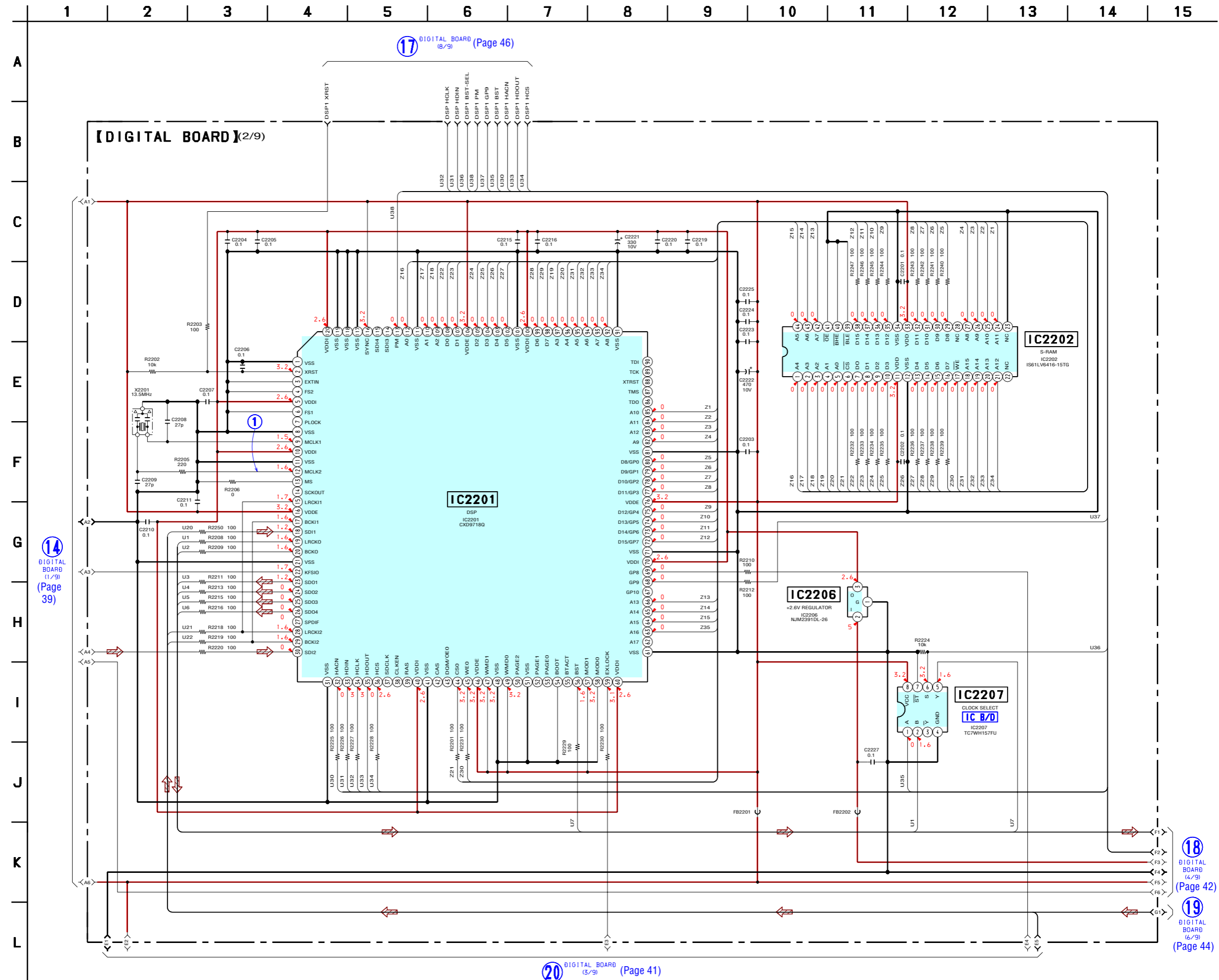
㉕ IC3701 ㉖ (XNTSC) ㉘ IC3431 ⑬ (V1.IN) (NTSC color bar mode)



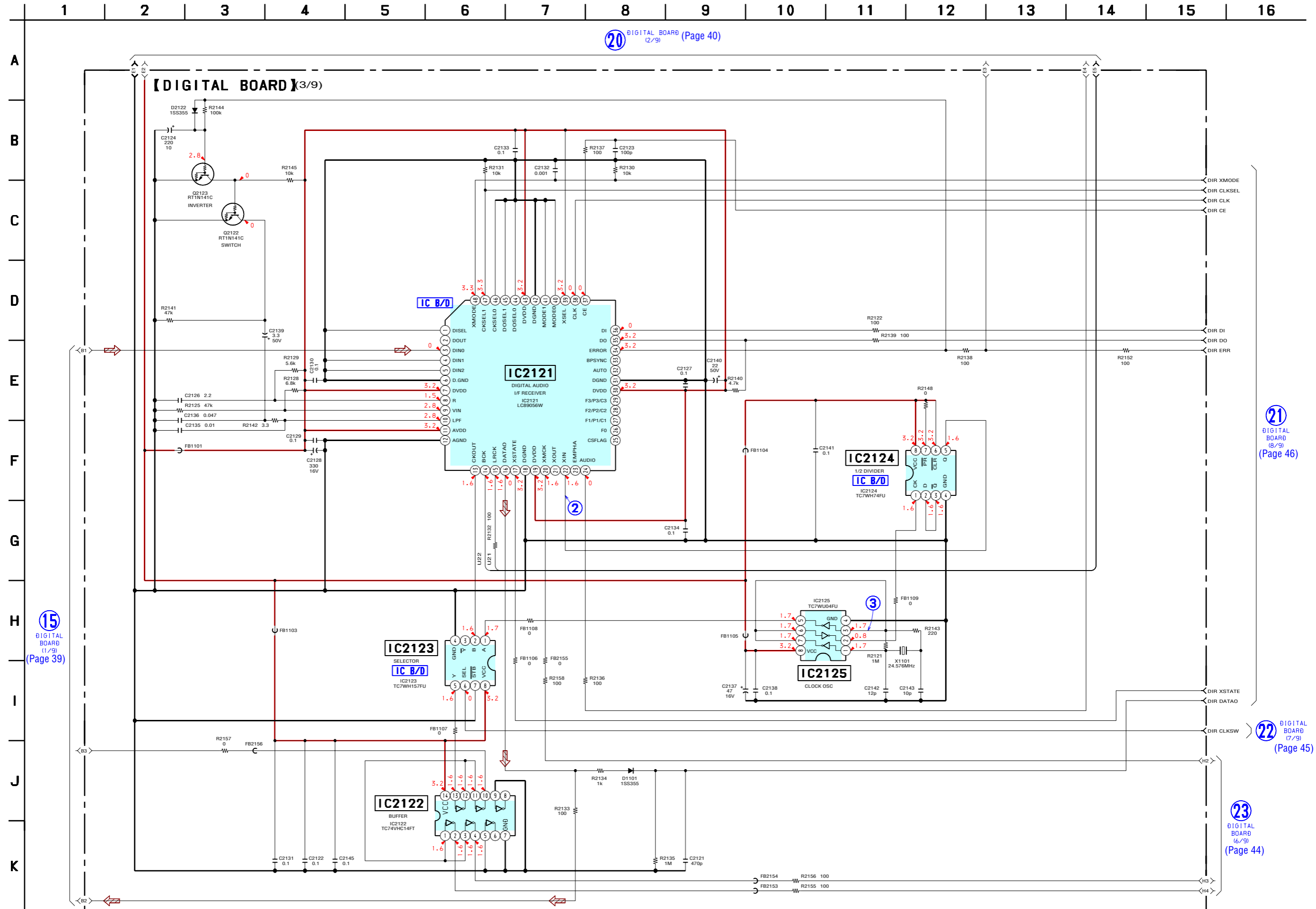
㉕ IC3701 ㉗ (X443/358) ㉙ IC3651 ⑭ (XCOM) (NTSC color bar mode)



6-21. SCHEMATIC DIAGRAM – DIGITAL Board (2/9) – • See page 38 for Waveform.



6-22. SCHEMATIC DIAGRAM – DIGITAL Board (3/9) – • See page 38 for Waveforms. • See page 78 for IC Block Diagrams.



20 DIGITAL BOARD (2/9) (Page 40)

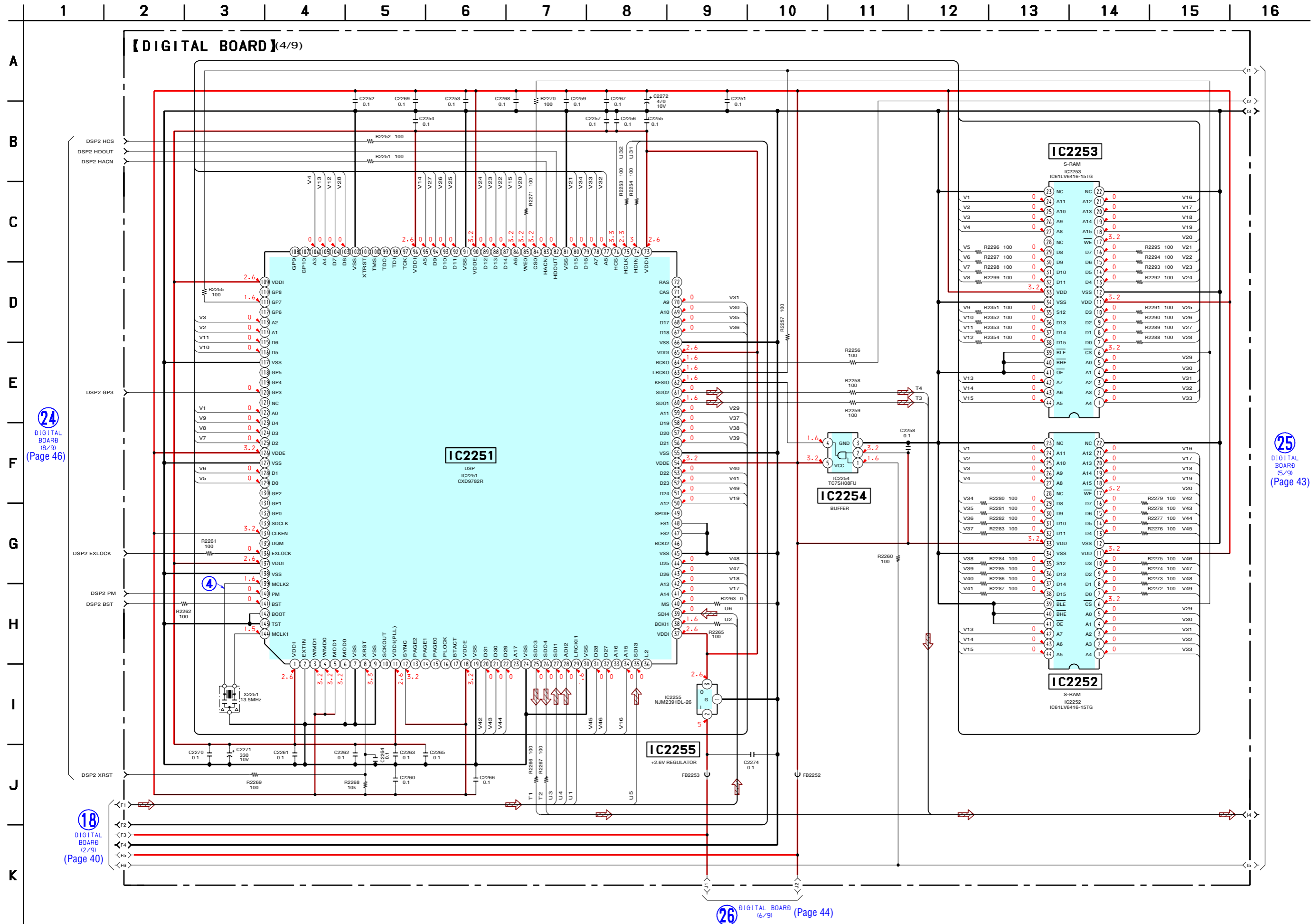
21 DIGITAL BOARD (8/9) (Page 46)

15 DIGITAL BOARD (1/9) (Page 39)

22 DIGITAL BOARD (7/9) (Page 45)

23 DIGITAL BOARD (6/9) (Page 44)

6-23. SCHEMATIC DIAGRAM – DIGITAL Board (4/9) – • See page 38 for Waveform.



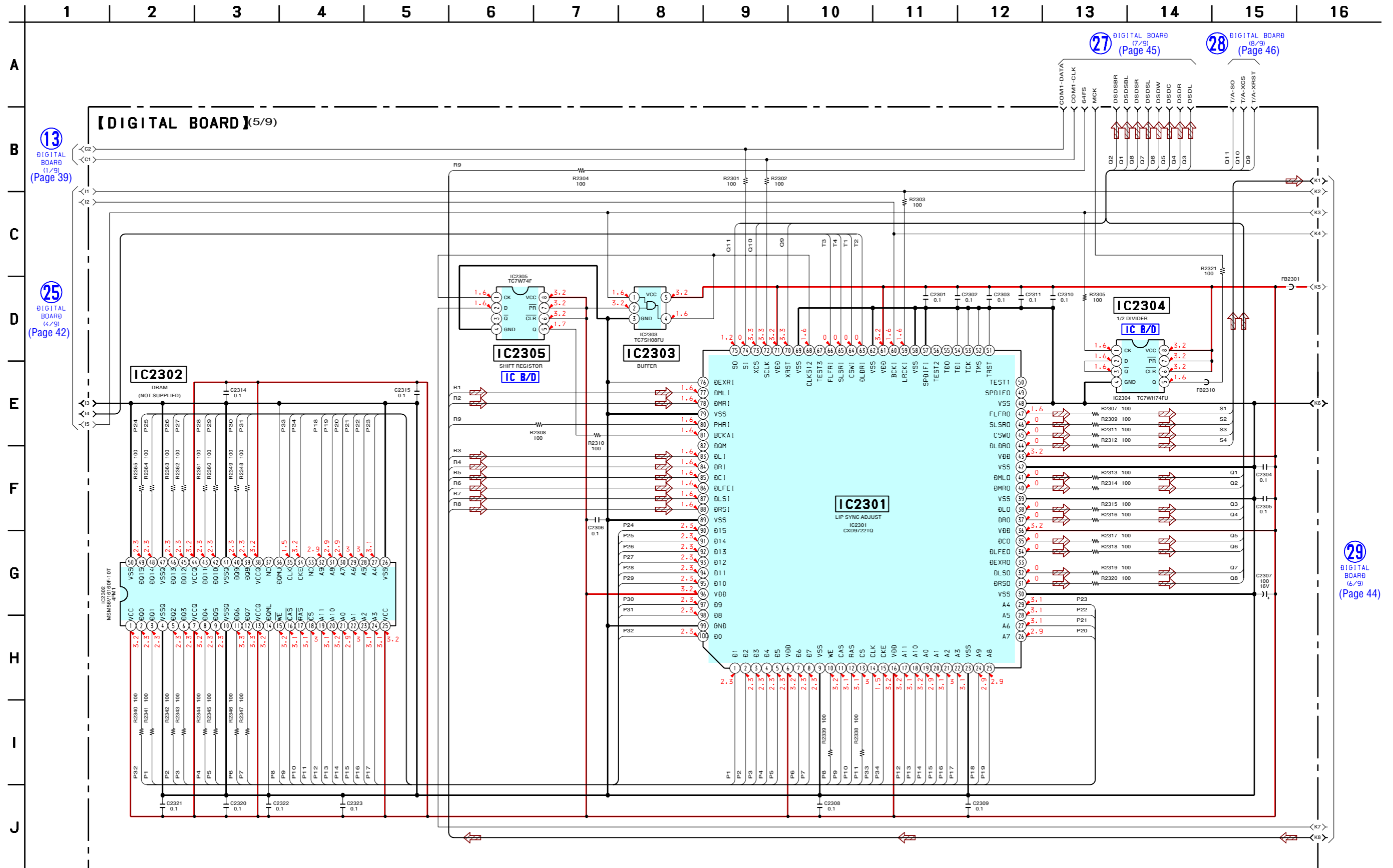
24 DIGITAL BOARD (8/9) (Page 46)

25 DIGITAL BOARD (5/9) (Page 43)

18 DIGITAL BOARD (2/9) (Page 40)

26 DIGITAL BOARD (6/9) (Page 44)

6-24. SCHEMATIC DIAGRAM – DIGITAL Board (5/9) – • See page 78 for IC Block Diagrams.



13 DIGITAL BOARD (1/9) (Page 39)

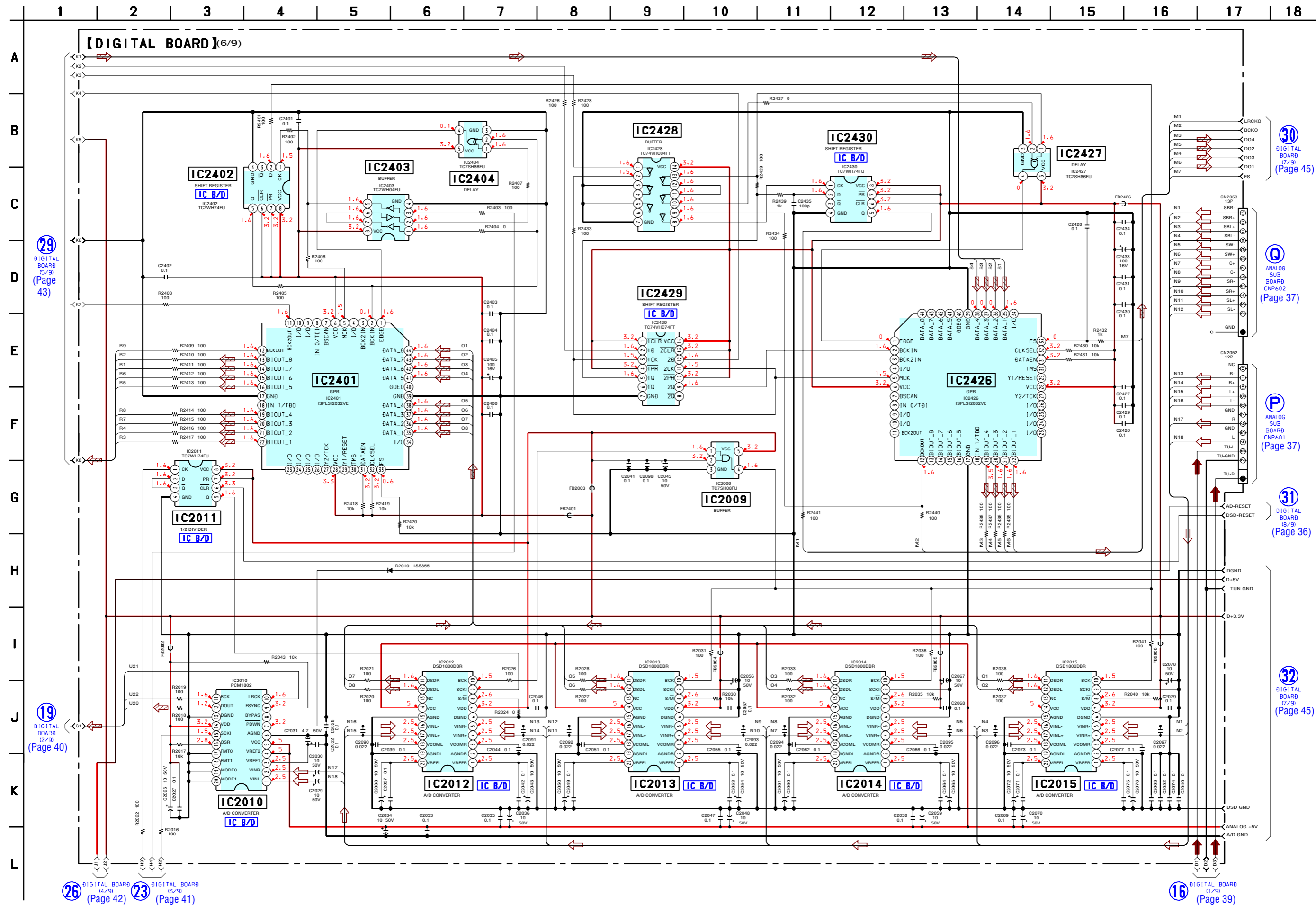
25 DIGITAL BOARD (4/9) (Page 42)

27 DIGITAL BOARD (7/9) (Page 45)

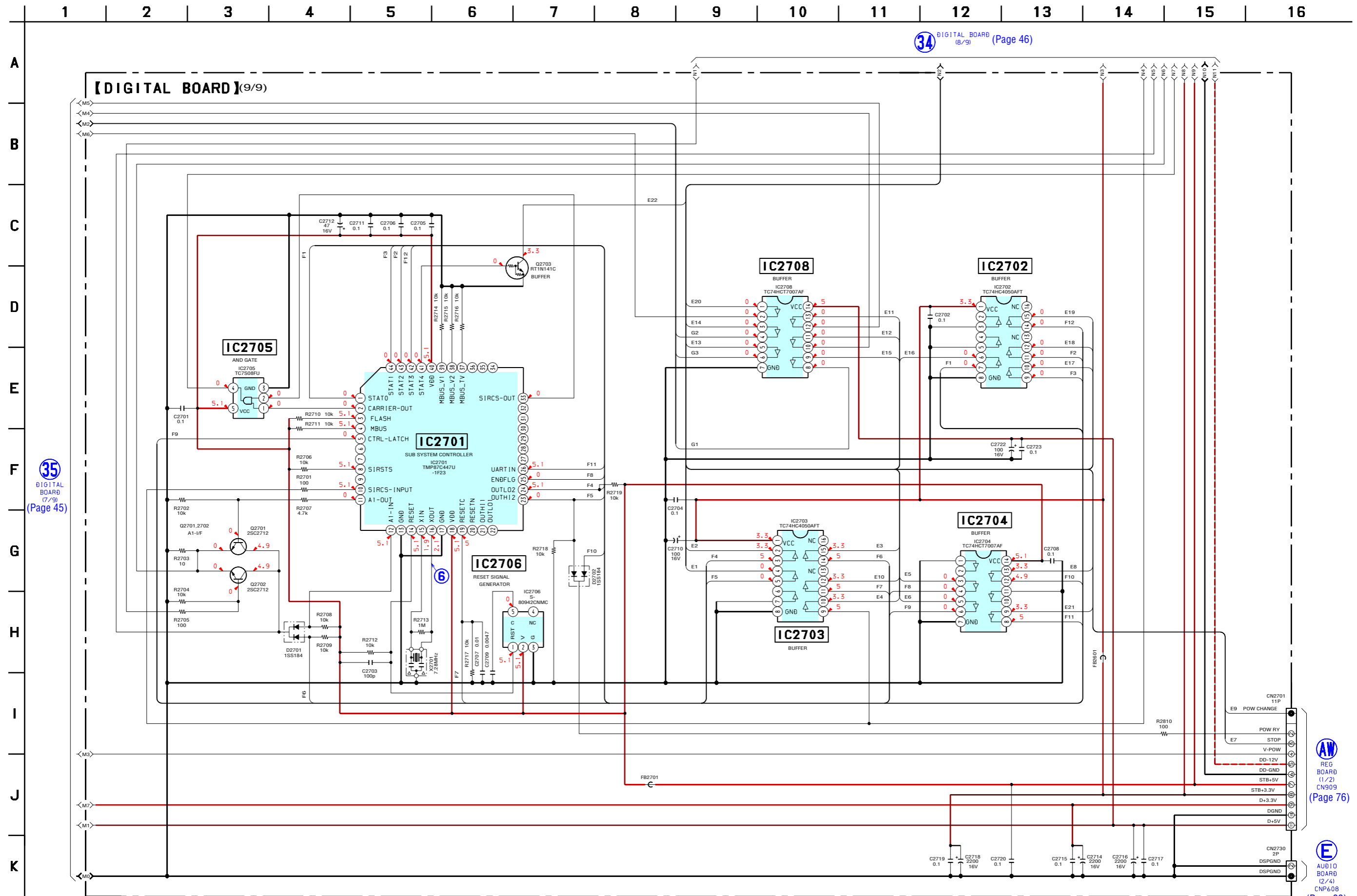
28 DIGITAL BOARD (8/9) (Page 46)

29 DIGITAL BOARD (6/9) (Page 44)

6-25. SCHEMATIC DIAGRAM – DIGITAL Board (6/9) – • See page 78 for IC Block Diagrams.



6-28. SCHEMATIC DIAGRAM – DIGITAL Board (9/9) – • See page 38 for Waveform. • See page 78 for IC Block Diagram.




35 DIGITAL BOARD (7/9) (Page 45)

34 DIGITAL BOARD (8/9) (Page 46)

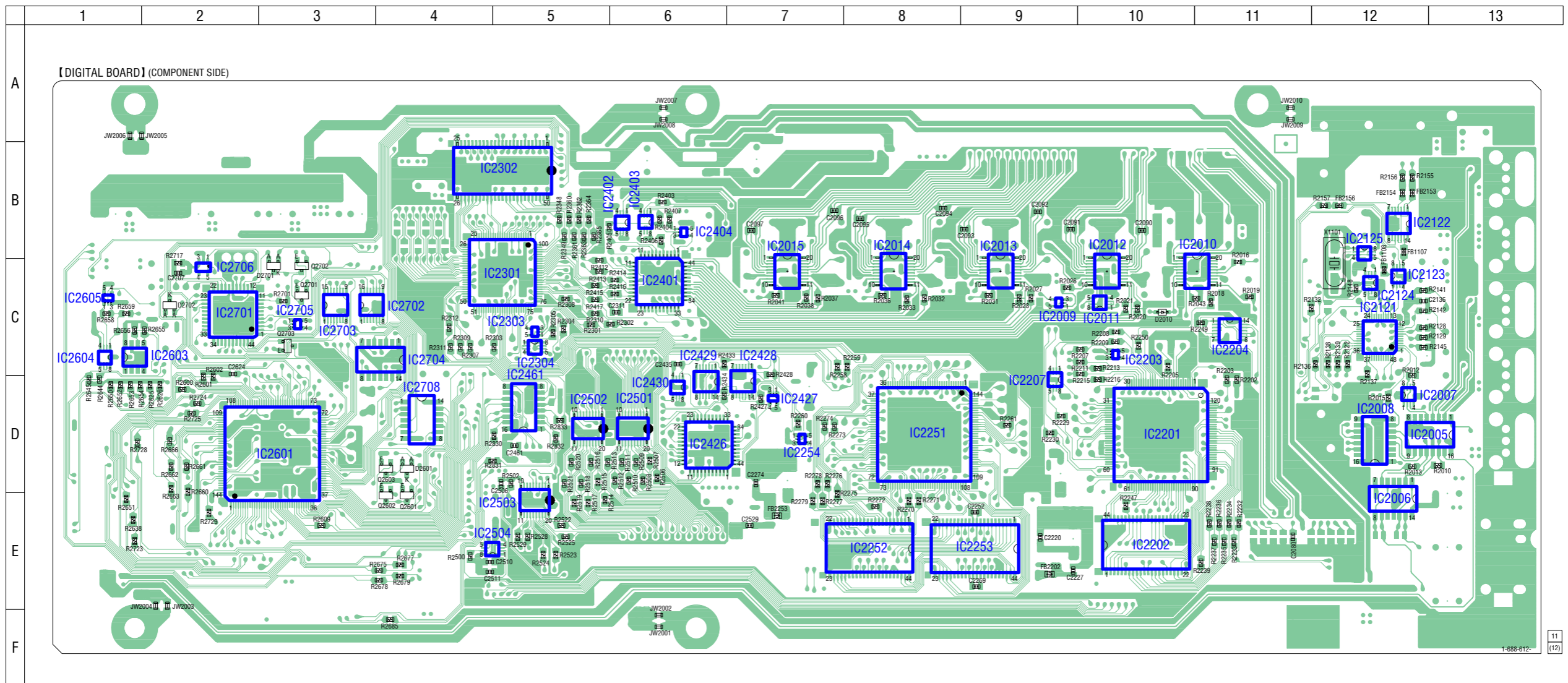
AW REG BOARD (1/2) CN909 (Page 76)


E AUDIO BOARD (2/4) CNP608 (Page 33)

6-29. PRINTED WIRING BOARD – DIGITAL Board (Component Side) – • See page 29 for Circuit Boards Location.  :Uses unleaded solder.

• Semiconductor Location

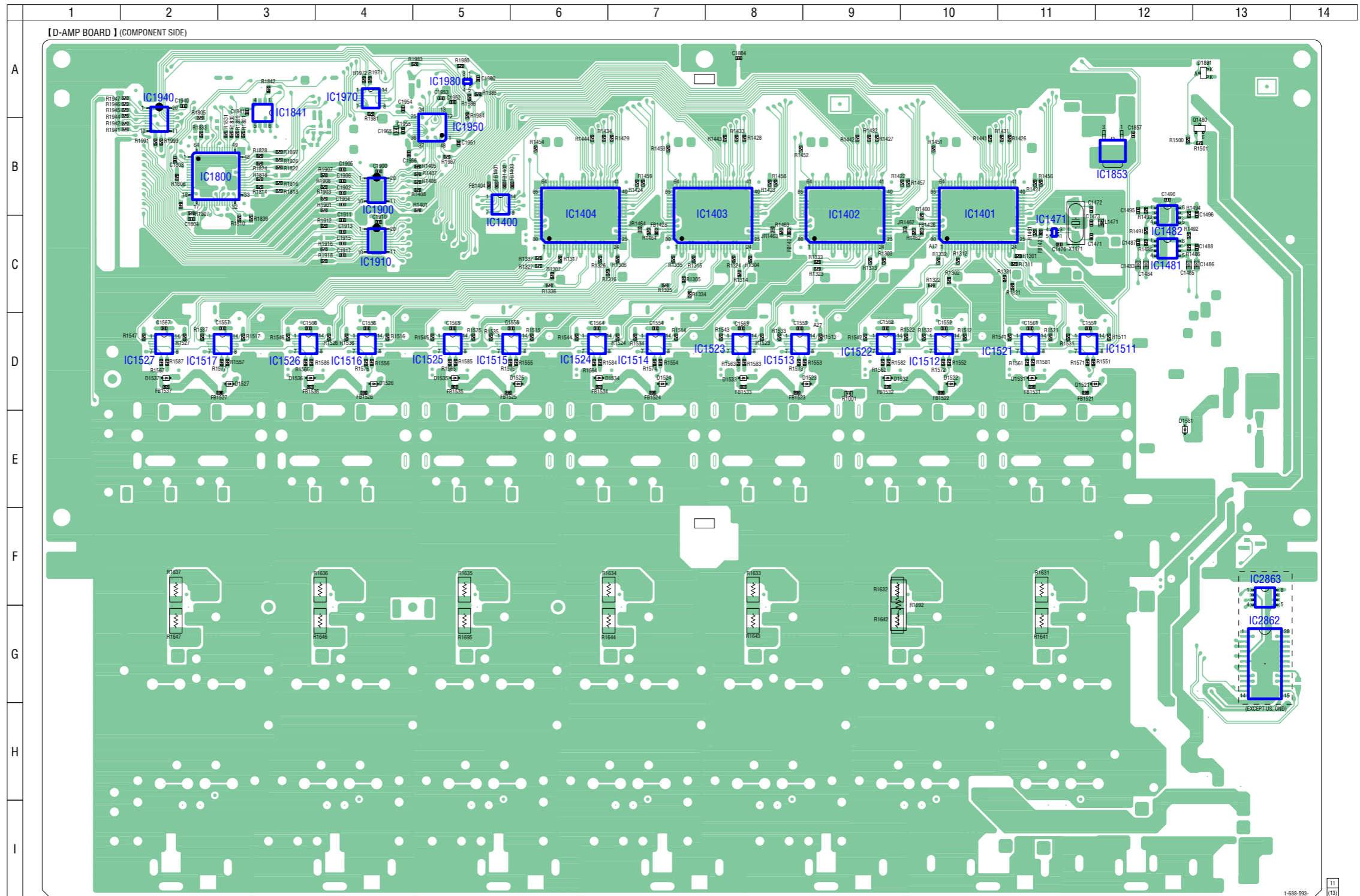
Ref. No.	Location
D2010	C-10
D2601	D-4
D2701	C-3
D2702	C-2
IC2005	D-12
IC2006	E-12
IC2007	D-12
IC2008	D-12
IC2009	C-9
IC2010	C-11
IC2011	C-10
IC2012	C-10
IC2013	C-9
IC2014	C-8
IC2015	C-7
IC2121	C-12
IC2122	B-12
IC2123	C-12
IC2124	C-12
IC2125	B-12
IC2201	E-10
IC2202	E-10
IC2203	C-10
IC2204	C-11
IC2207	C-9
IC2251	D-8
IC2252	E-8
IC2253	E-9
IC2254	D-7
IC2301	C-5
IC2302	B-5
IC2303	C-5
IC2304	C-5
IC2401	C-6
IC2402	B-6
IC2403	B-6
IC2404	B-6
IC2426	D-6
IC2427	D-7
IC2428	D-7
IC2429	D-6
IC2430	D-6
IC2461	D-5
IC2501	D-6
IC2502	D-5
IC2503	E-5
IC2504	E-5
IC2601	D-3
IC2603	C-1
IC2604	C-1
IC2605	C-1
IC2701	C-2
IC2702	C-3
IC2703	C-3
IC2704	C-4
IC2705	C-3
IC2706	C-2
IC2708	D-4
Q2601	E-4
Q2602	E-4
Q2603	D-4
Q2701	C-36
Q2702	C-3
Q2703	C-3




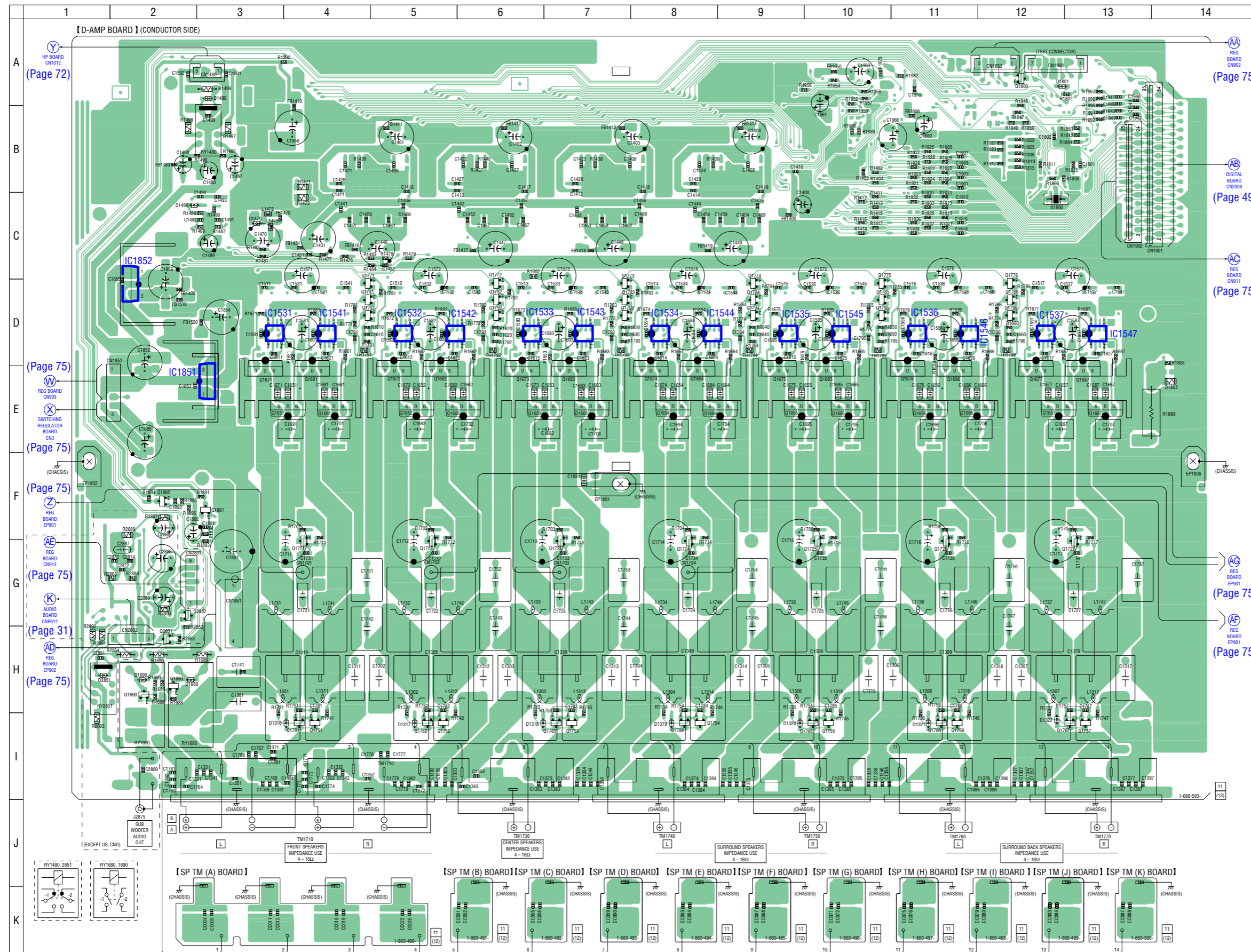
6-31. PRINTED WIRING BOARD – D-AMP Section (Component Side) – • See page 29 for Circuit Boards Location.  :Uses unleaded solder.

• Semiconductor Location

Ref. No.	Location
D1521	D-11
D1522	D-10
D1523	D-9
D1524	D-7
D1525	D-6
D1526	D-4
D1527	D-3
D1531	D-11
D1532	D-9
D1533	D-8
D1534	D-6
D1535	D-5
D1536	D-3
D1537	D-2
D1581	E-12
D1891	A-13
IC1400	B-5
IC1401	B-10
IC1402	B-9
IC1403	B-8
IC1404	B-6
IC1471	C-11
IC1481	C-12
IC1482	C-12
IC1511	D-11
IC1512	D-10
IC1513	D-8
IC1514	D-7
IC1515	D-6
IC1516	D-4
IC1517	D-3
IC1521	D-11
IC1522	D-9
IC1523	D-8
IC1524	D-6
IC1525	D-5
IC1526	D-3
IC1527	D-2
IC1800	B-2
IC1841	A-3
IC1853	B-12
IC1900	B-4
IC1910	C-4
IC1940	B-2
IC1950	B-5
IC1970	A-4
IC1980	A-5
IC2862	F-12
IC2863	F-13
Q1480	B-13



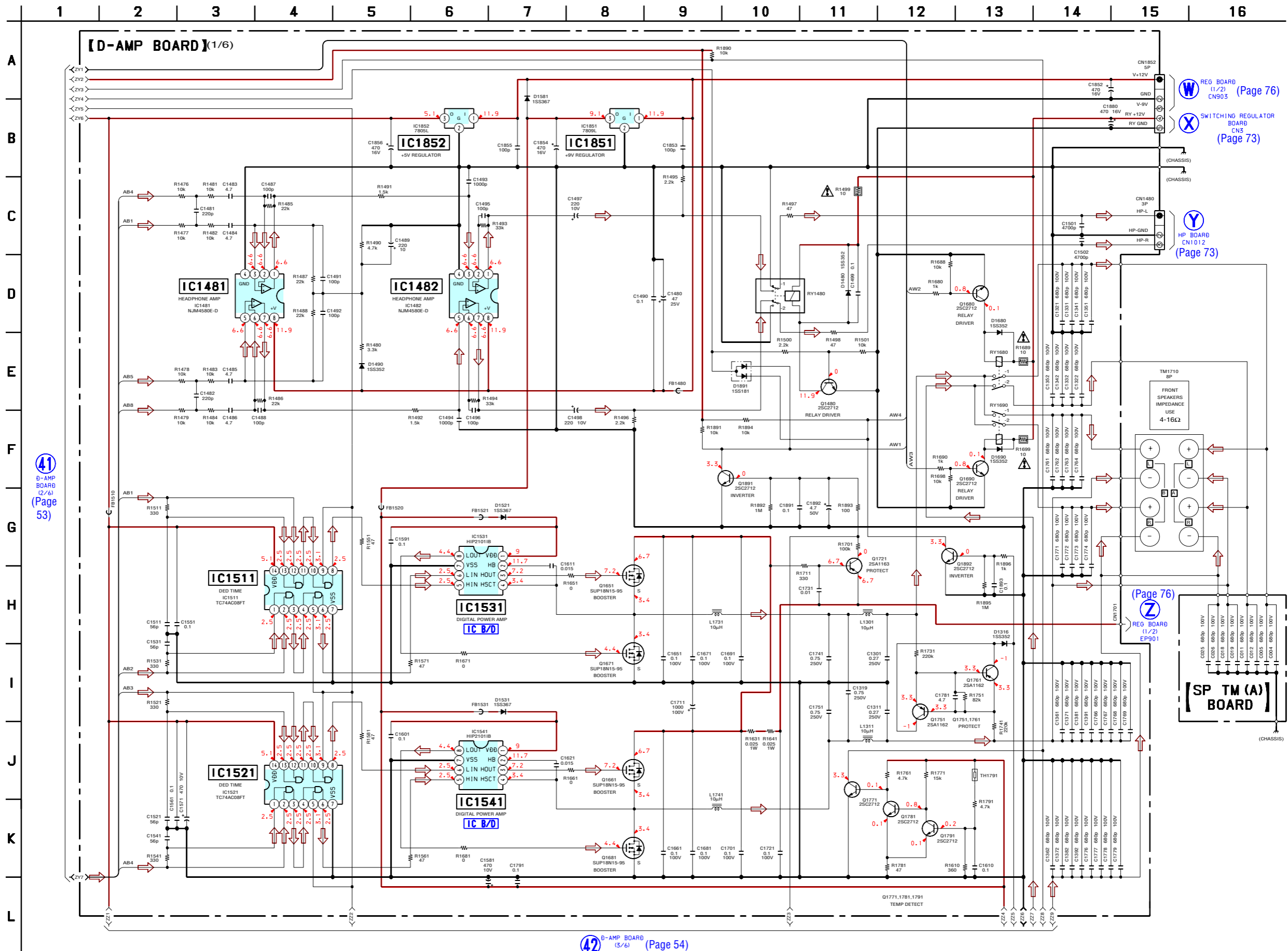
6-32. PRINTED WIRING BOARDS – D-AMP Section (Conductor Side) – • See page 29 for Circuit Boards Location.  :Uses unleaded solder.



• Semiconductor Location

Ref. No.	Location	Ref. No.	Location
D1316	I-4	Q1680	H-2
D1317	I-5	Q1681	E-4
D1318	I-6	Q1682	E-5
D1319	I-8	Q1683	E-7
D1320	I-9	Q1684	E-8
D1321	I-11	Q1685	E-10
D1322	I-12	Q1686	E-11
D1470	C-3	Q1687	E-13
D1480	A-3	Q1690	H-2
D1490	C-2	Q1721	G-4
D1680	H-2	Q1722	G-5
D1690	H-2	Q1723	G-7
D1801	A-12	Q1724	G-8
D1803	E-14	Q1725	G-10
D2851	H-1	Q1726	G-11
		Q1727	G-13
IC1531	D-3	Q1751	I-4
IC1532	D-5	Q1752	I-5
IC1533	D-6	Q1753	I-7
IC1534	D-8	Q1754	I-8
IC1535	D-9	Q1755	I-10
IC1536	D-11	Q1756	I-11
IC1537	D-12	Q1757	I-13
IC1541	D-4	Q1761	I-4
IC1542	D-5	Q1762	I-5
IC1543	D-7	Q1763	I-7
IC1544	D-8	Q1764	I-8
IC1545	D-10	Q1765	I-10
IC1546	D-11	Q1766	I-11
IC1547	D-13	Q1767	I-13
IC1851	E-3	Q1771	D-4
IC1852	D-2	Q1772	D-6
		Q1773	D-7
		Q1774	D-9
Q1651	E-4	Q1775	D-10
Q1652	E-5	Q1776	D-12
Q1653	E-7	Q1777	D-12
Q1654	E-8	Q1781	D-4
Q1655	E-9	Q1782	D-6
Q1656	E-11	Q1783	D-7
Q1657	E-12	Q1784	D-9
Q1661	E-4	Q1785	D-10
Q1662	E-6	Q1786	D-12
Q1663	E-7	Q1791	D-4
Q1664	E-9	Q1792	D-6
Q1665	E-10	Q1793	D-7
Q1666	E-11	Q1794	D-9
Q1667	E-13	Q1795	D-10
Q1671	E-3	Q1796	D-12
Q1672	E-5	Q1800	A-12
Q1673	E-6	Q1891	F-3
Q1674	E-8	Q1892	F-2
Q1675	E-9	Q2851	H-2
Q1676	E-11	Q2852	G-2
Q1677	E-12		

6-33. SCHEMATIC DIAGRAM – D-AMP Section (1/6) – • See page 78 for IC Block Diagrams.



41 D-AMP BOARD (2/6) (Page 53)

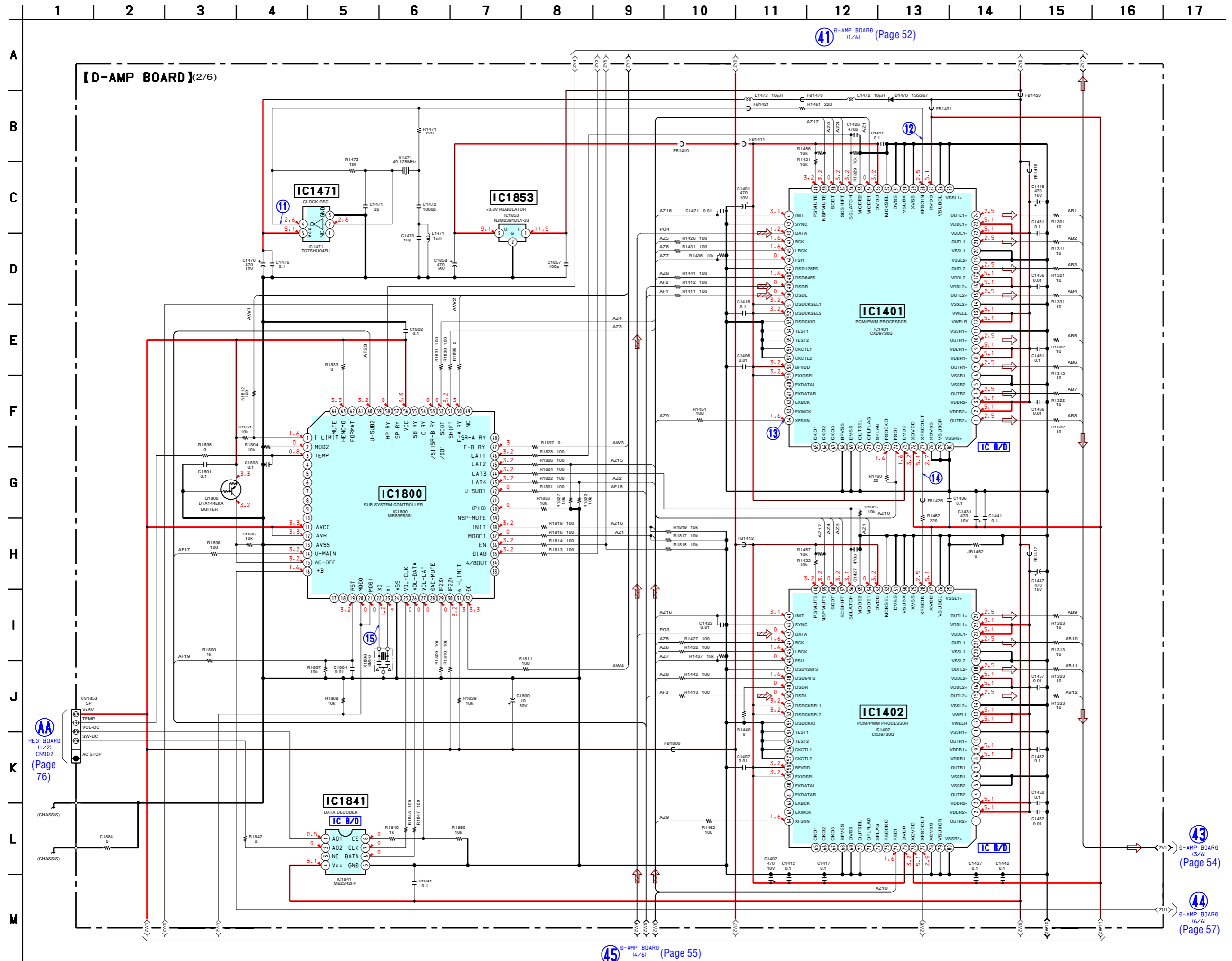
42 D-AMP BOARD (3/6) (Page 54)

The components identified by mark Δ or dotted line with mark Δ are critical for safety. Replace only with part number specified.

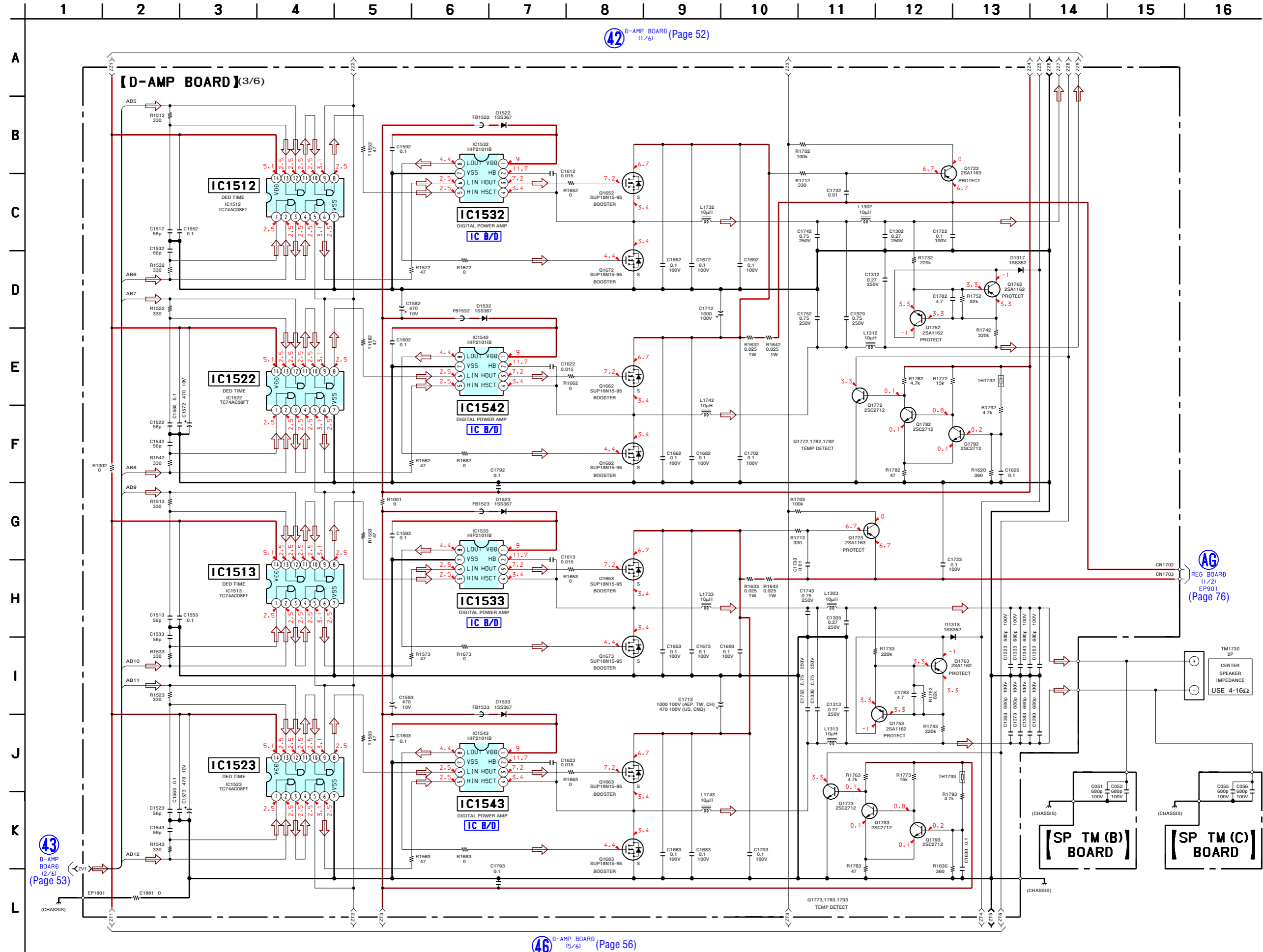
Les composants identifiés par une marque Δ sont critiques pour la sécurité. Ne les remplacer que par une pièce portant le numéro spécifié.

以阴影和 Δ 标志来识别的零部件在安全方面具有关键性。因此只能以规定号码的零部件来更换。

6-34. SCHEMATIC DIAGRAM – D-AMP Section (2/6) – • See page 38 for Waveforms. • See page 78 for IC Block Diagrams.



6-35. SCHEMATIC DIAGRAM – D-AMP Section (3/6) – • See page 78 for IC Block Diagrams.

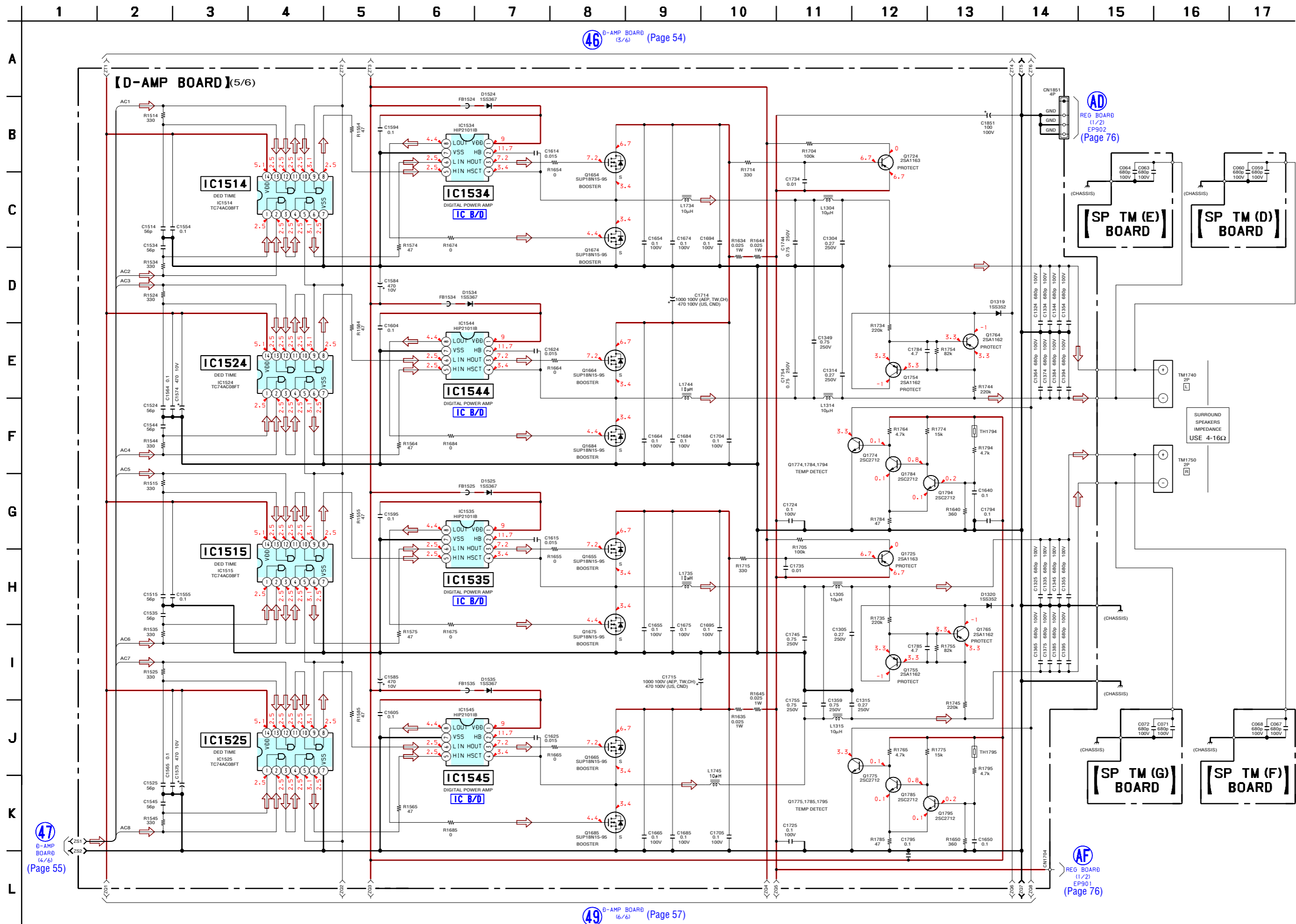


42 D-AMP BOARD (1/6) (Page 52)

AC REG BOARD (1/2) EP901 (Page 76)

43 D-AMP BOARD (2/6) (Page 53)

46 D-AMP BOARD (5/6) (Page 56)



46 D-AMP BOARD (3/6) (Page 54)

REG BOARD (1/2) EP902 (Page 76)

SP TM (E) BOARD

SP TM (D) BOARD

SP TM (G) BOARD

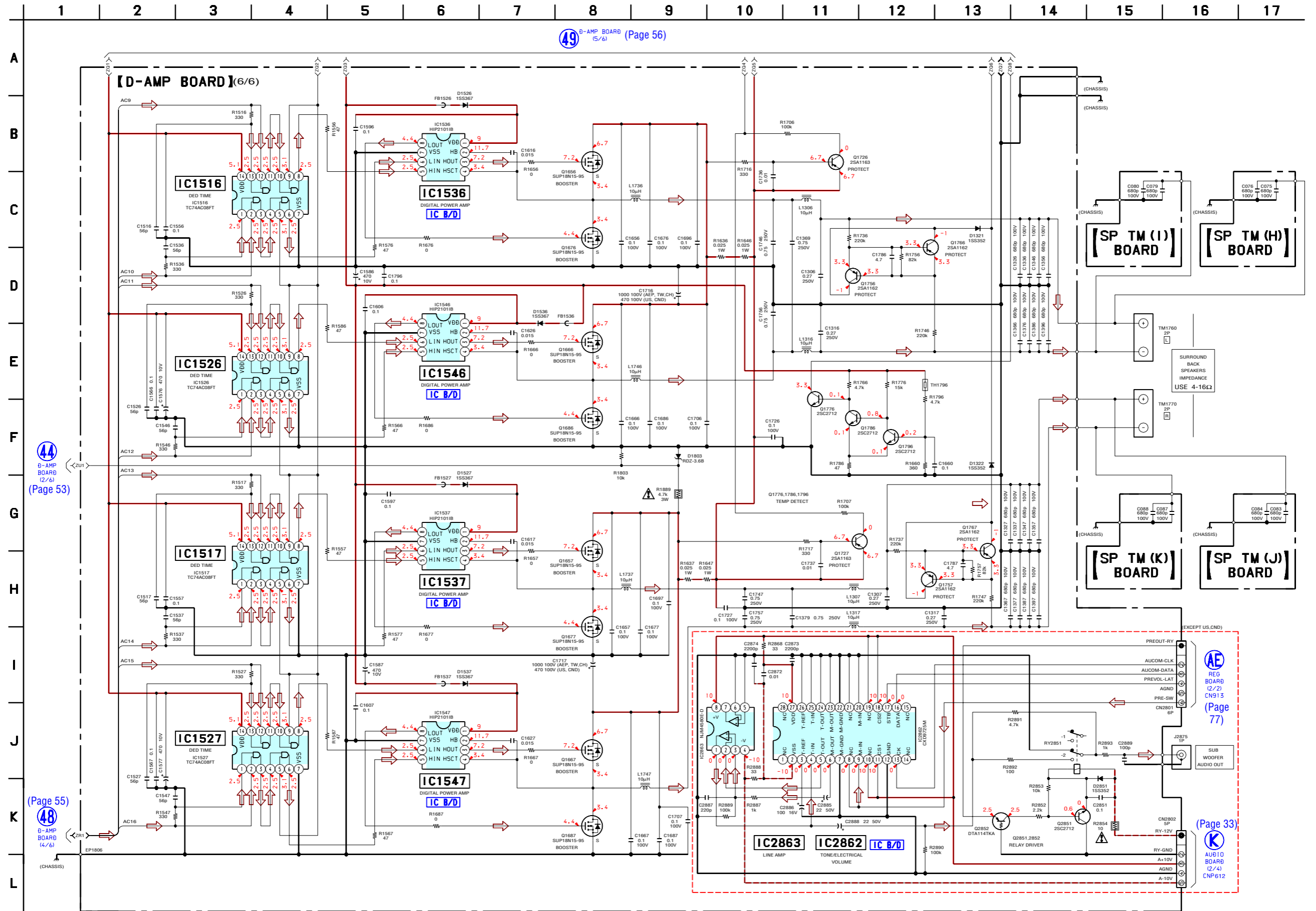
SP TM (F) BOARD

REG BOARD (1/2) EP901 (Page 76)

47 D-AMP BOARD (4/6) (Page 55)

49 D-AMP BOARD (6/6) (Page 57)

6-38. SCHEMATIC DIAGRAM – D-AMP Section (6/6) – • See page 78 for IC Block Diagrams.



The components identified by mark ▲ or dotted line with mark ▲ are critical for safety. Replace only with part number specified.

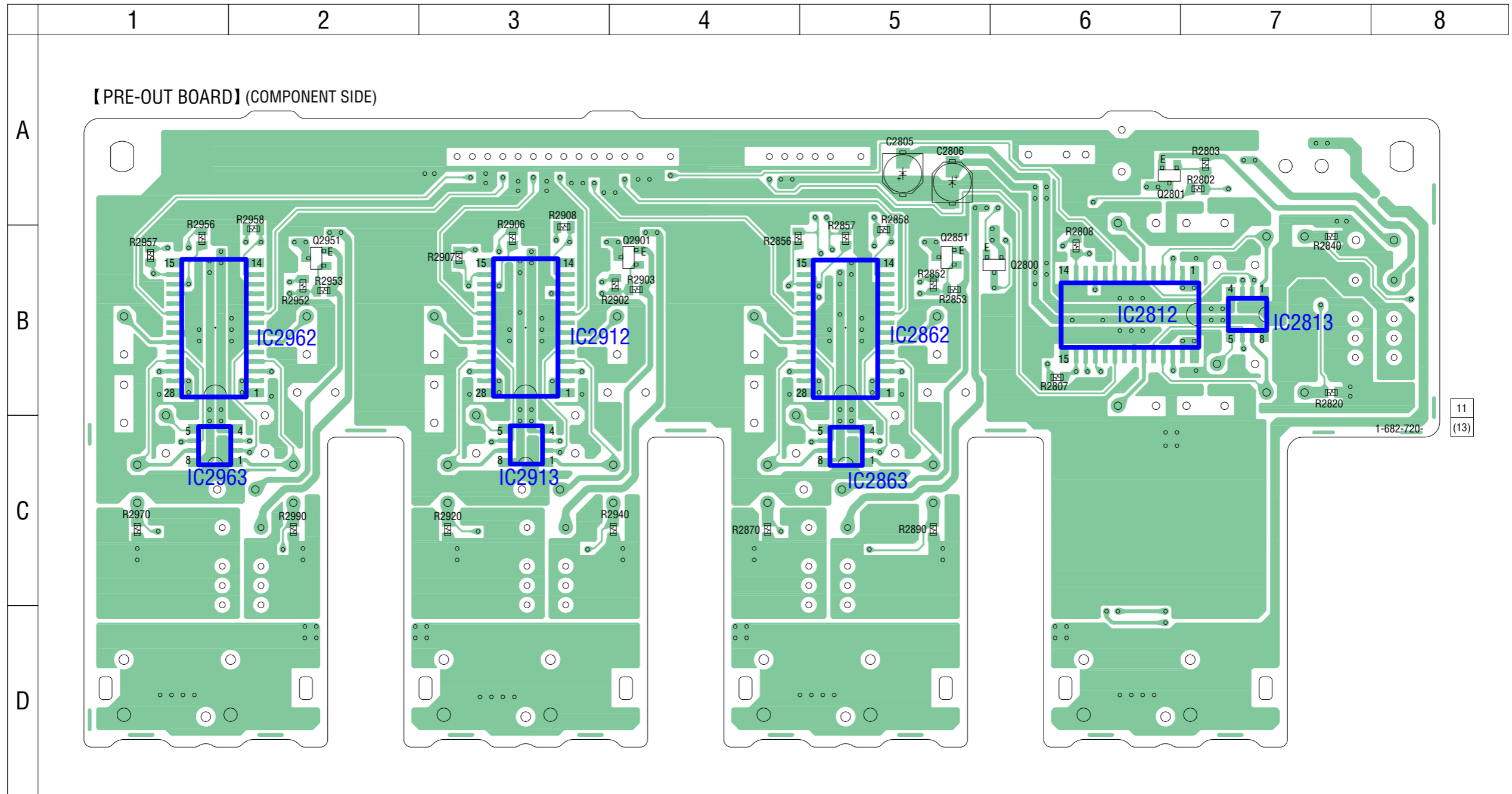
Les composants identifiés par une marque ▲ sont critiques pour la sécurité. Ne les remplacer que par une pièce portant le numéro spécifié.

以阴影和▲标志来识别的零部件在安全方面具有关键性。因此只能以规定号码的零部件来更换。

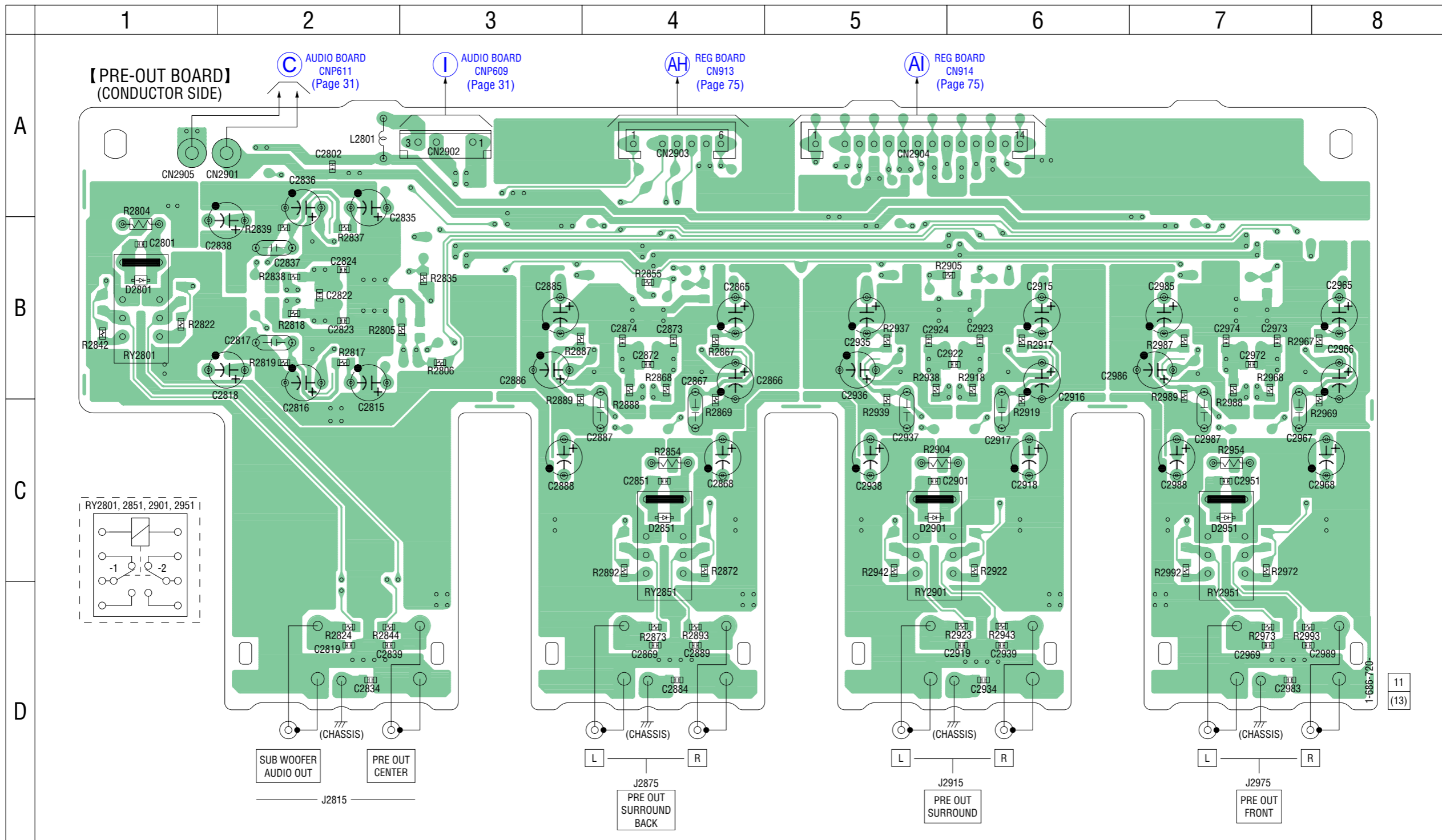
6-39. PRINTED WIRING BOARD – PRE-OUT Board (Component Side) – (US, CND models) • See page 29 for Circuit Boards Location.  :Uses unleaded solder.

• Semiconductor Location

Ref. No.	Location
IC2812	B-6
IC2813	B-7
IC2862	B-5
IC2863	C-5
IC2912	B-3
IC2913	C-3
IC2962	B-1
IC2963	C-1
Q2800	B-6
Q2801	A-6
Q2851	B-5
Q2901	B-4
Q2951	B-2

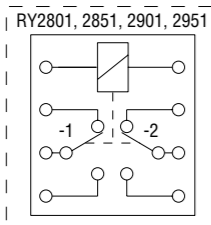


6-40. PRINTED WIRING BOARD – PRE-OUT Board (Conductor Side) – (US, CND models) • See page 29 for Circuit Boards Location.  :Uses unleaded solder.



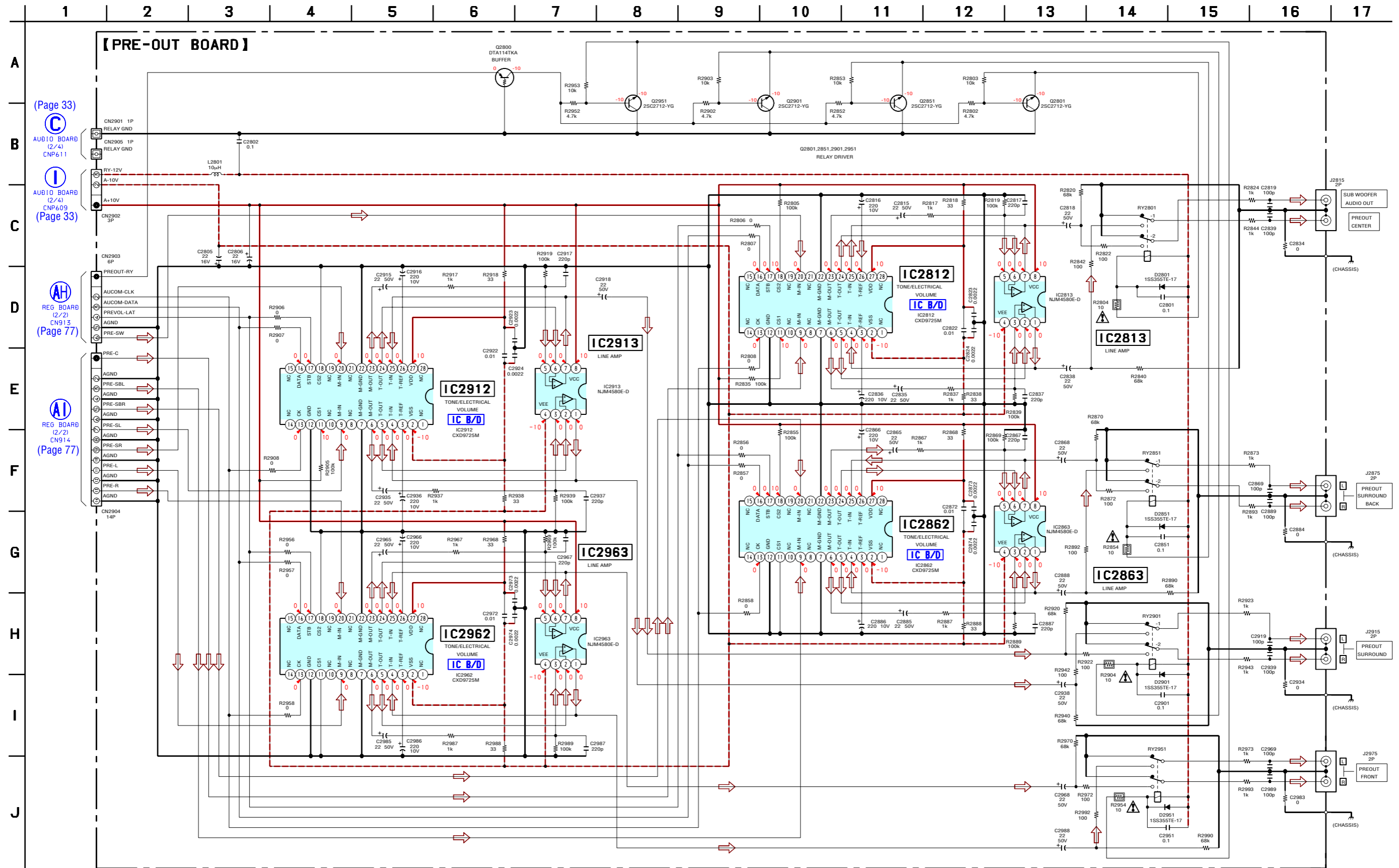
• Semiconductor Location

Ref. No.	Location
D2801	B-1
D2851	C-4
D2901	C-5
D2951	C-7



11
(13)

6-41. SCHEMATIC DIAGRAM – PRE-OUT Board – (US, CND models) • See page 78 for IC Block Diagrams.

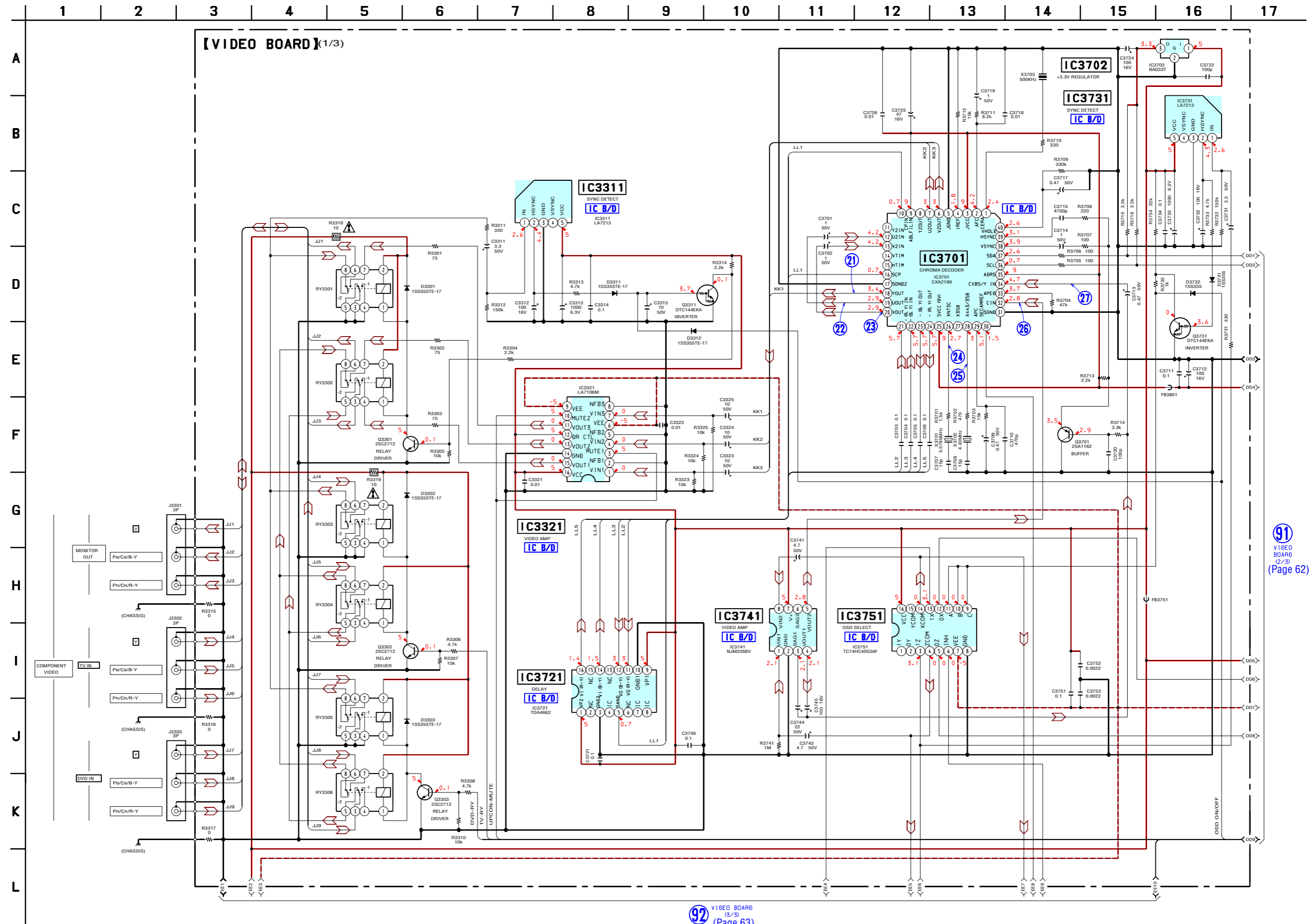


The components identified by mark \triangle or dotted line with mark \triangle are critical for safety. Replace only with part number specified.

Les composants identifiés par une marque \triangle sont critiques pour la sécurité. Ne les remplacer que par une pièce portant le numéro spécifié.

以阴影和 \triangle 标志来识别的零部件在安全方面具有关键性。因此只能以规定号码的零部件来更换。

6-42. SCHEMATIC DIAGRAM – VIDEO Board (1/3) – • See page 38 for Waveforms. • See page 78 for IC Block Diagrams.



91 VIDEO BOARD (2/3) (Page 62)

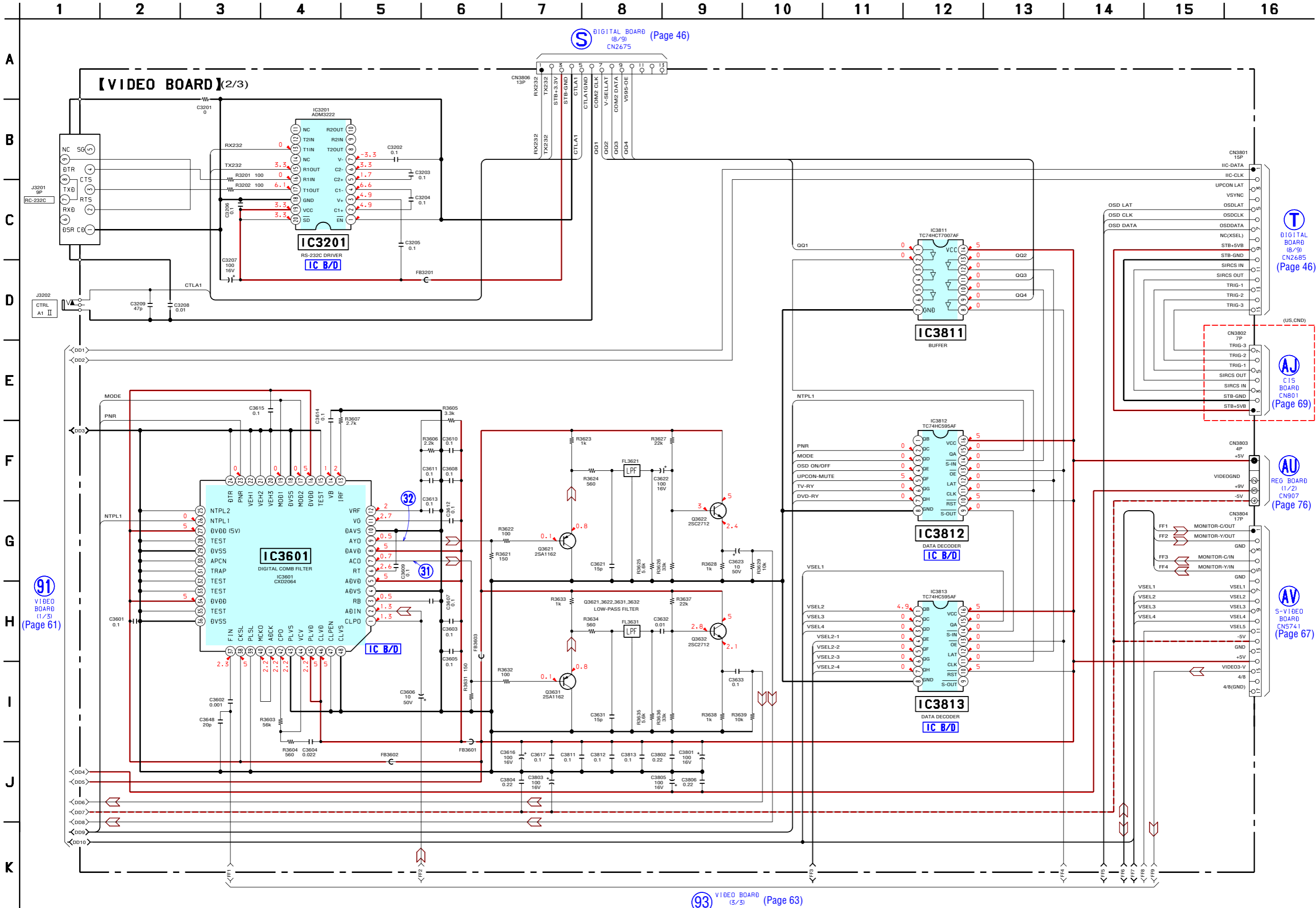
92 VIDEO BOARD (3/3) (Page 63)


The components identified by mark Δ or dotted line with mark Δ are critical for safety. Replace only with part number specified.

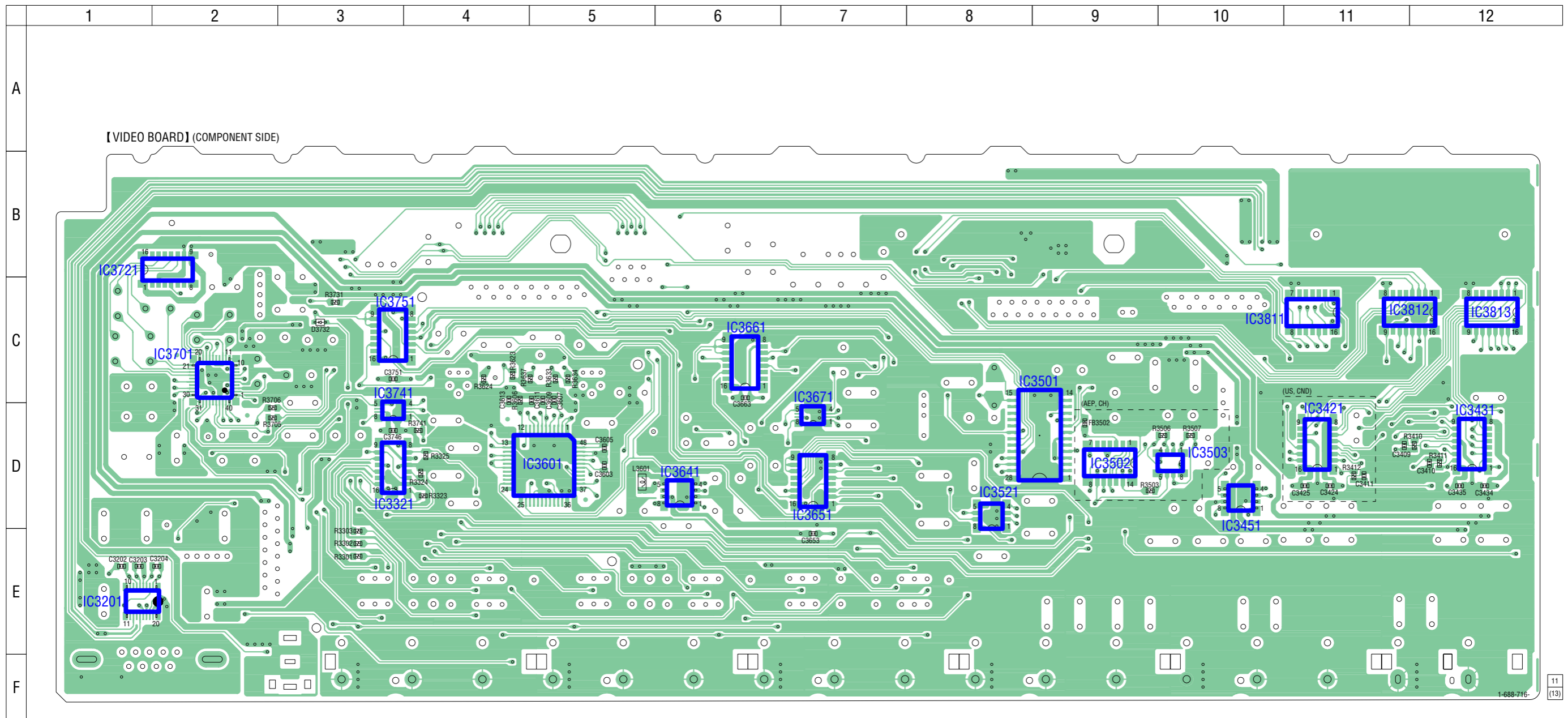
Les composants identifiés par une marque Δ sont critiques pour la sécurité. Ne les remplacer que par une pièce portant le numéro spécifié.

以阴影和 Δ 标志来识别的零部件在安全方面具有关键性。因此只能以规定号码的零部件来更换。

6-43. SCHEMATIC DIAGRAM – VIDEO Board (2/3) – • See page 38 for Waveforms. • See page 78 for IC Block Diagrams.




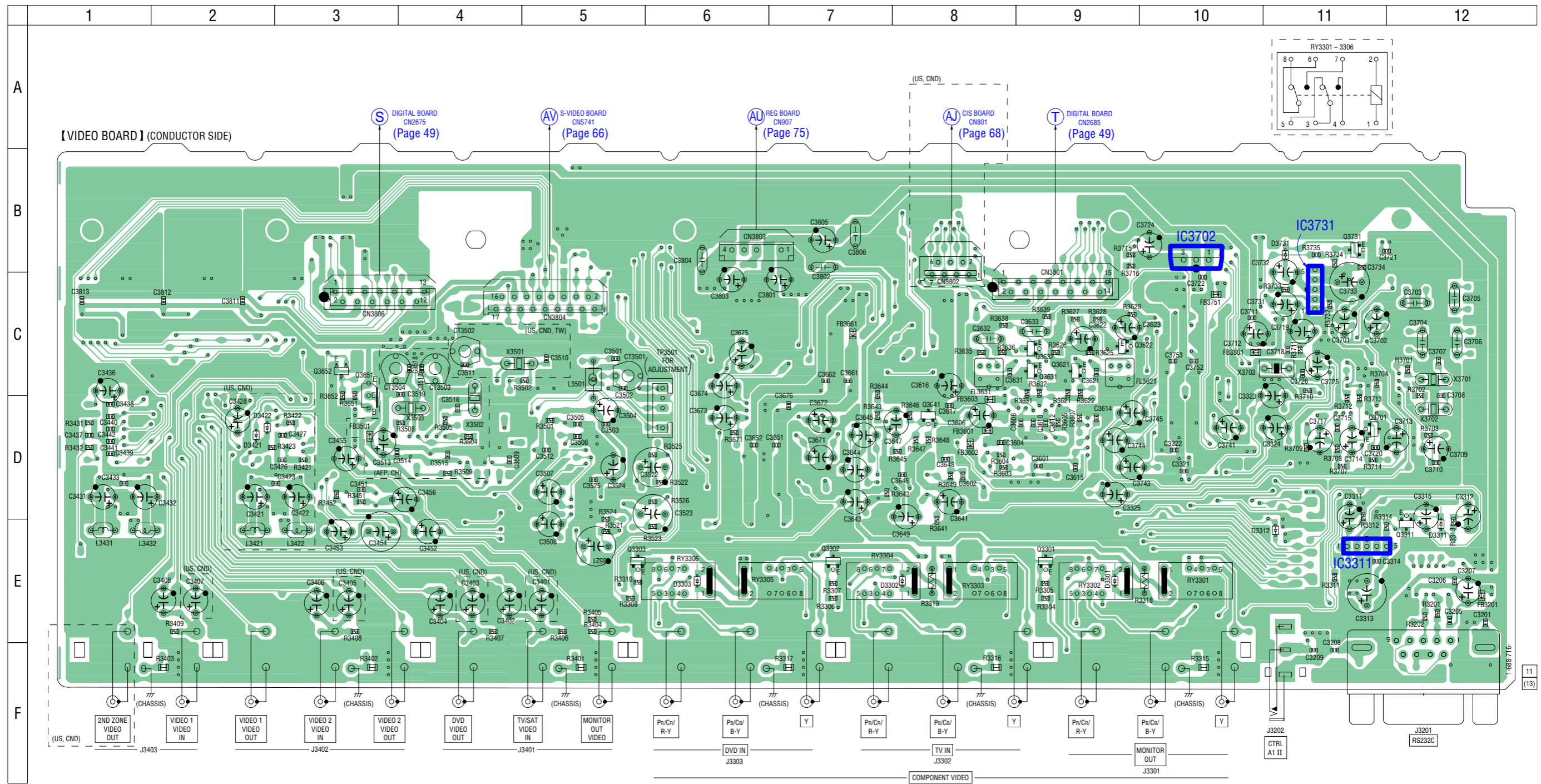
6-45. PRINTED WIRING BOARD – VIDEO Board (Component Side) – • See page 29 for Circuit Boards Location.  :Uses unleaded solder.



• Semiconductor Location

Ref. No.	Location
D3732	C-3
IC3201	E-1
IC3321	D-3
IC3421	D-11
IC3431	D-12
IC3451	D-10
IC3501	D-9
IC3502	D-9
IC3503	D-10
IC3521	D-8
IC3601	D-5
IC3641	D-6
IC3651	D-7
IC3661	C-6
IC3671	D-7
IC3701	C-2
IC3721	B-2
IC3741	D-3
IC3751	C-3
IC3811	C-11
IC3812	C-12
IC3813	C-12

6-46. PRINTED WIRING BOARD – VIDEO Board (Conductor Side) – • See page 29 for Circuit Boards Location.  :Uses unleaded solder.

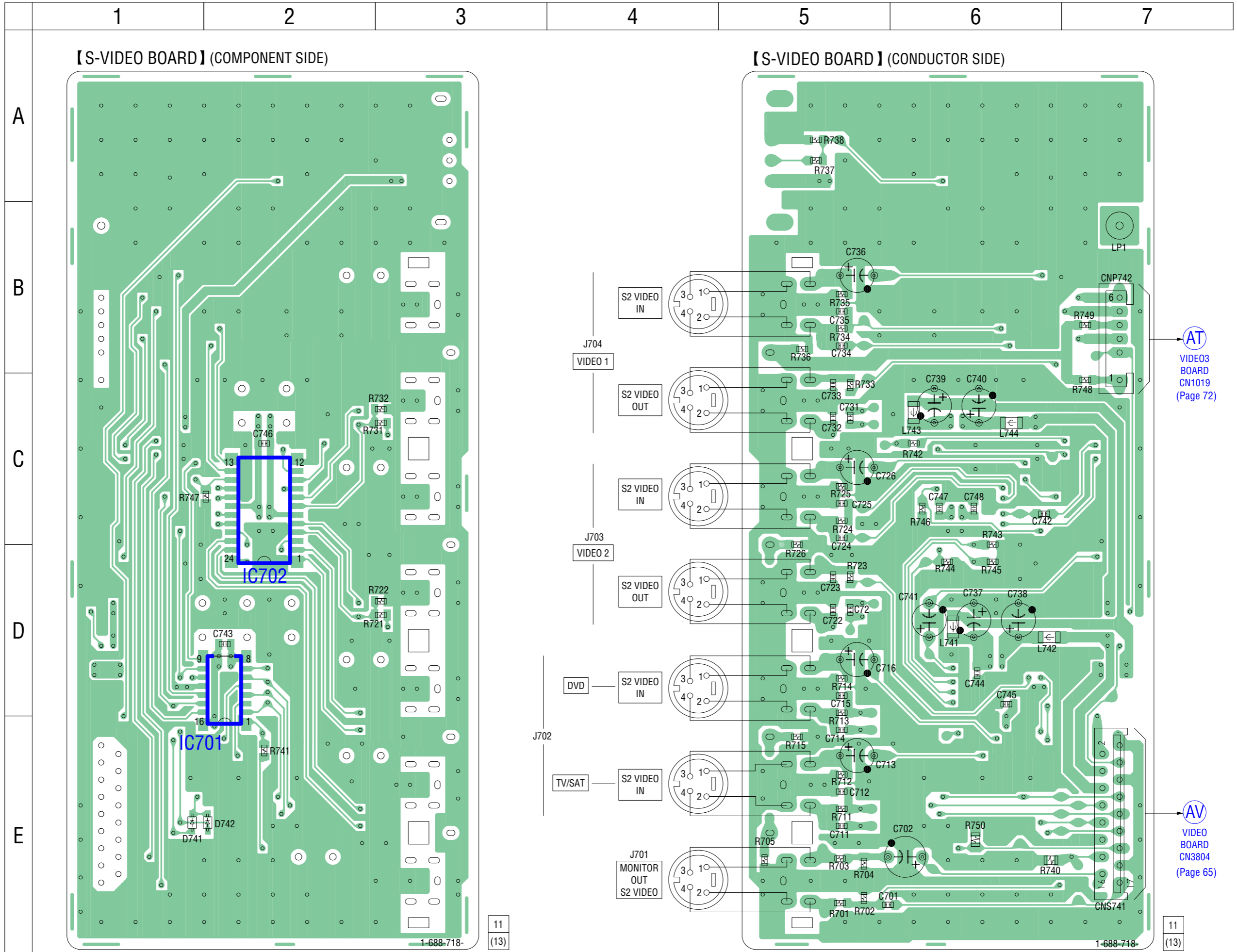


• Semiconductor Location

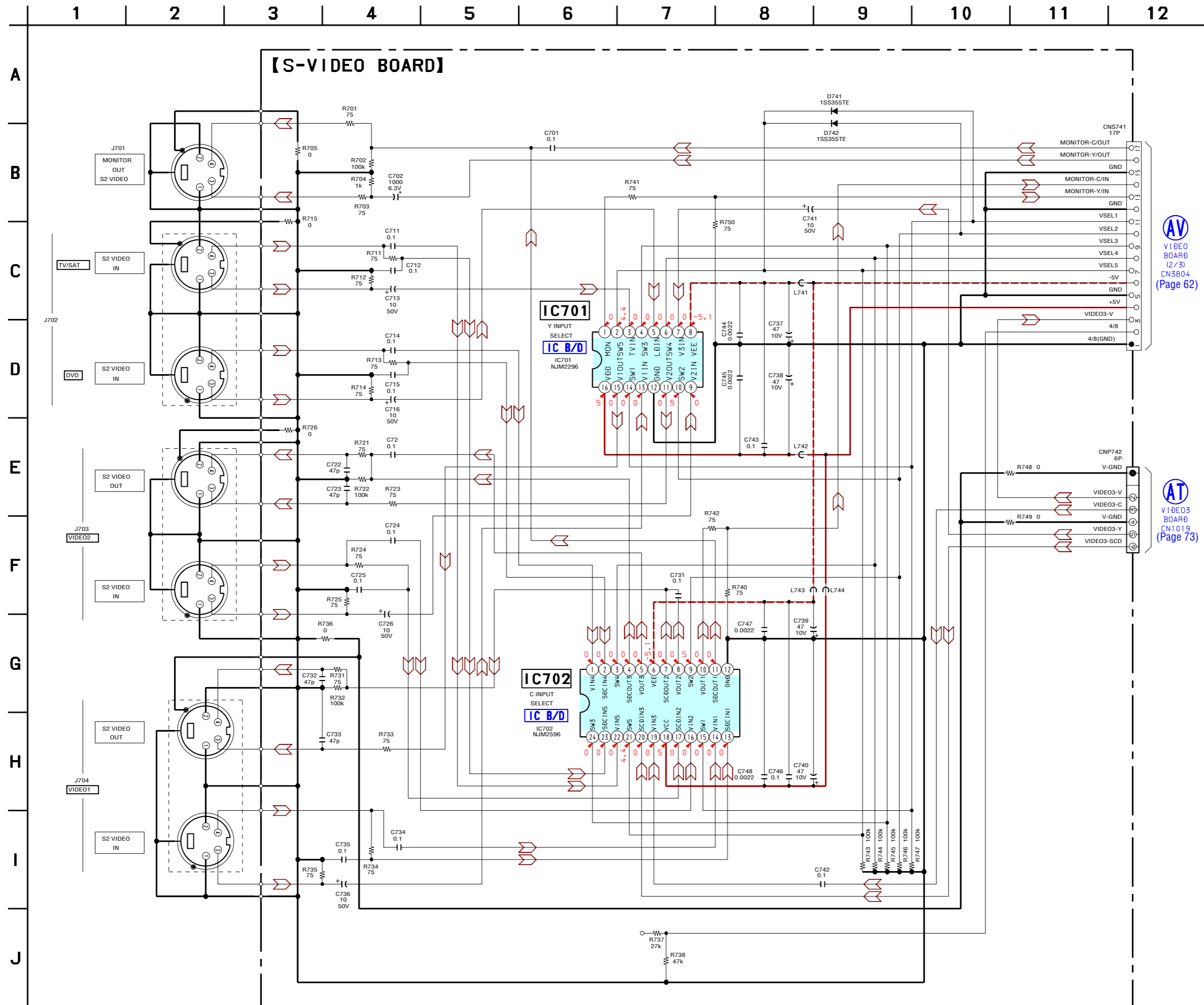
Ref. No.	Location	Ref. No.	Location
D3301	E-9	Q3301	E-9
D3302	E-8	Q3302	E-7
D3303	E-6	Q3303	E-5
D3311	E-12	Q3311	E-12
D3312	E-11	Q3621	C-9
D3421	D-2	Q3622	C-9
D3422	D-2	Q3631	C-9
D3731	B-11	Q3632	C-9
		Q3641	D-8
IC3311	E-11	Q3651	C-3
IC3702	B-10	Q3652	C-3
IC3731	C-11	Q3701	D-12
		Q3731	B-11

• Semiconductor Location

Ref. No.	Location
D741	E-1
D742	E-2
IC701	D-2
IC702	C-2




6-48. SCHEMATIC DIAGRAM – S-VIDEO Board – • See page 78 for IC Block Diagrams.



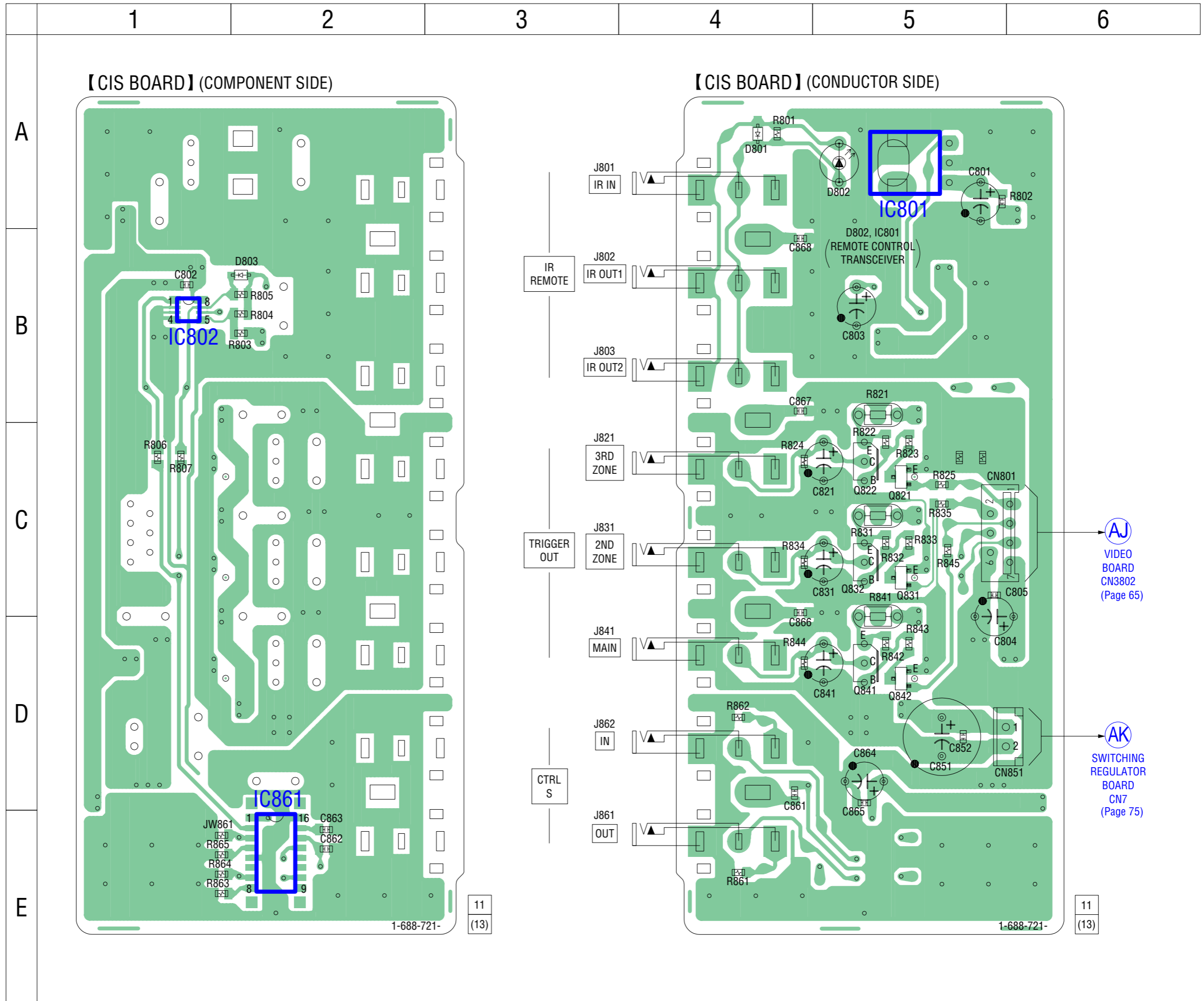
AV
VIDEO BOARD
(2/3)
CN3804
(Page 62)

AT
VIDEO3 BOARD
CN1019
(Page 73)

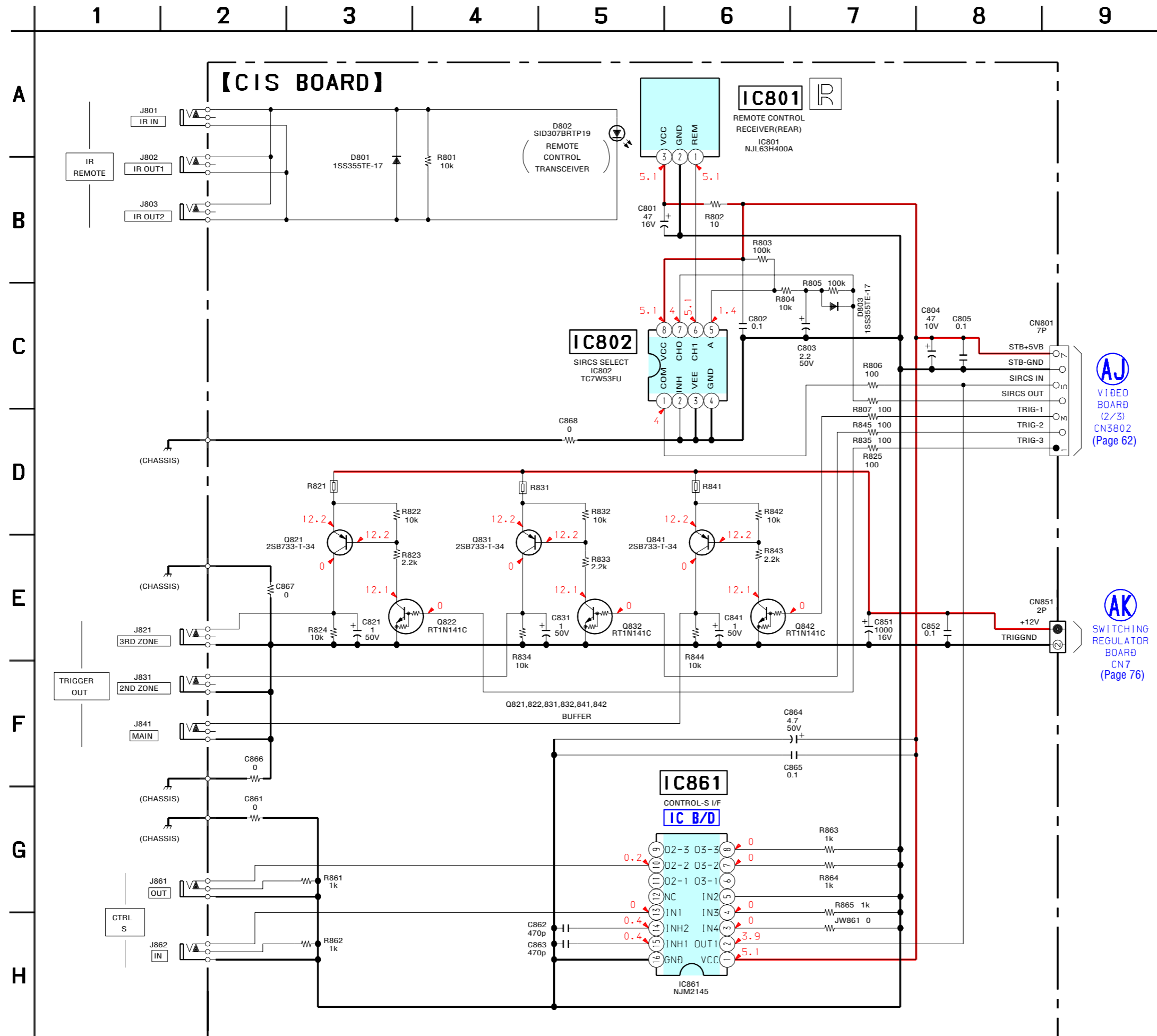
6-49. PRINTED WIRING BOARD – CIS Board – (US, CND models) • See page 29 for Circuit Boards Location.  :Uses unleaded solder.

• Semiconductor Location

Ref. No.	Location
D801	A-4
D802	A-5
D803	B-2
IC801	A-5
IC802	B-1
IC861	E-2
Q821	C-5
Q822	C-5
Q831	C-5
Q832	C-5
Q841	D-5
Q842	D-5



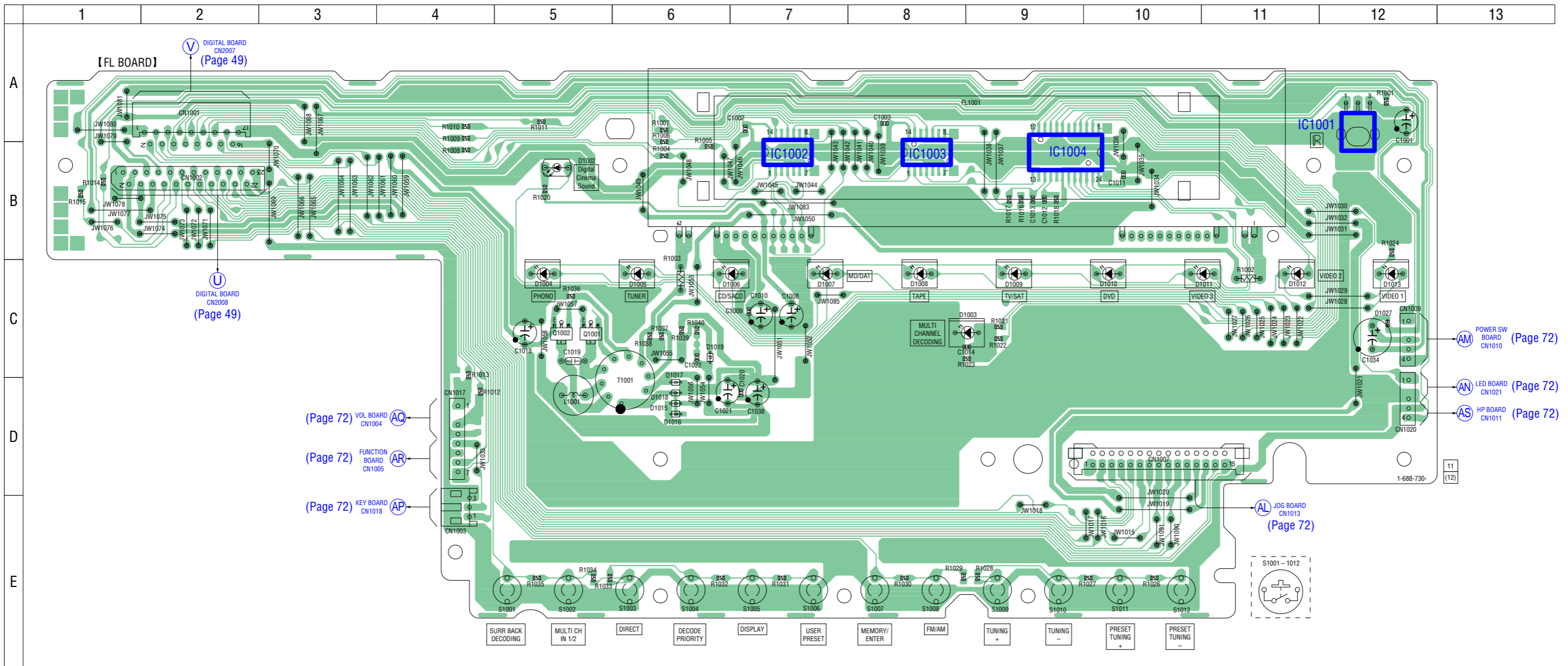
6-50. SCHEMATIC DIAGRAM – CIS Board – (US, CND models) • See page 78 for IC Block Diagrams.



AJ
VIDEO BOARD
(2/3)
CN3802
(Page 62)

AK
SWITCHING REGULATOR BOARD
CN7
(Page 76)

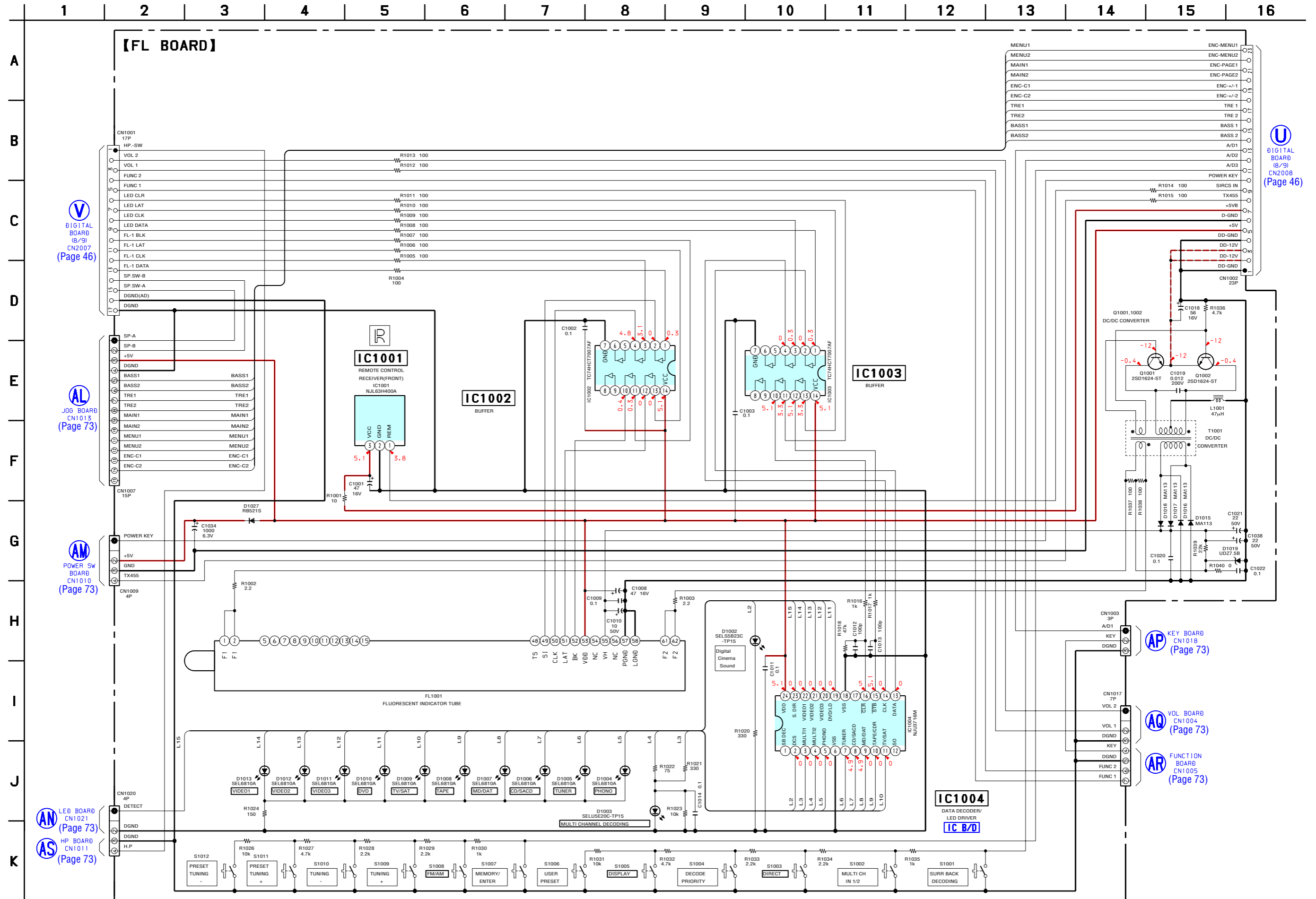
6-51. PRINTED WIRING BOARD – FL Board – • See page 29 for Circuit Boards Location.  :Uses unleaded solder.



• Semiconductor Location

Ref. No.	Location
D1002	B-5
D1003	C-9
D1004	C-5
D1005	C-6
D1006	C-7
D1007	C-7
D1008	C-8
D1009	C-9
D1010	C-10
D1011	C-11
D1012	C-11
D1013	C-12
D1015	D-6
D1016	D-6
D1017	D-6
D1018	D-6
D1019	C-6
D1027	C-12
IC1001	A-12
IC1002	B-7
IC1003	B-8
IC1004	B-9
Q1001	C-5
Q1002	C-5

6-52. SCHEMATIC DIAGRAM - FL Board -



DIGITAL BOARD (8/9) CN2007 (Page 46)

JOG BOARD CN1013 (Page 73)

POWER SW BOARD CN1010 (Page 73)

LED BOARD CN1021 (Page 73)

HP BOARD CN1011 (Page 73)

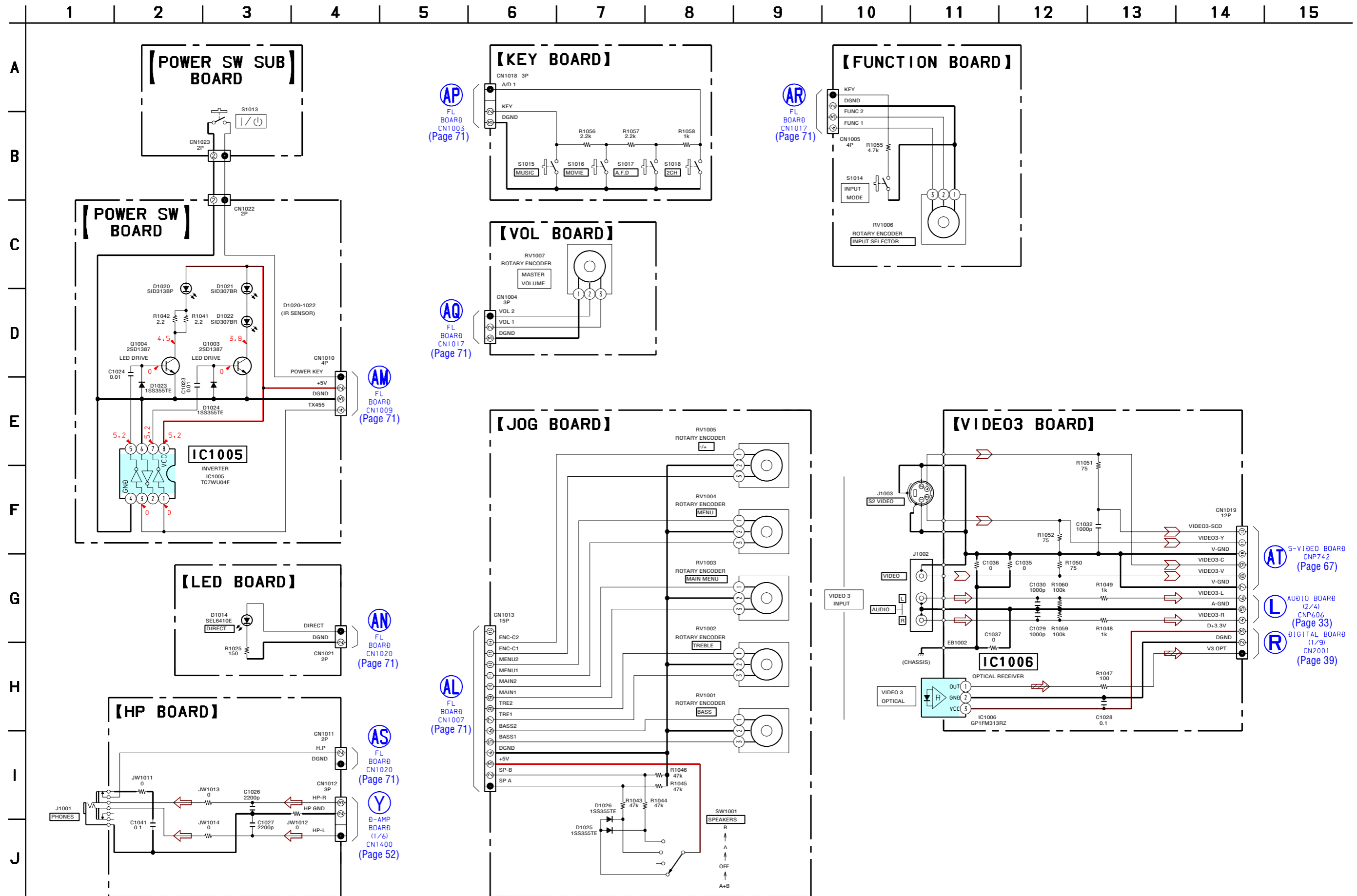
DIGITAL BOARD (8/9) CN2008 (Page 46)


KEY BOARD CN1018 (Page 73)

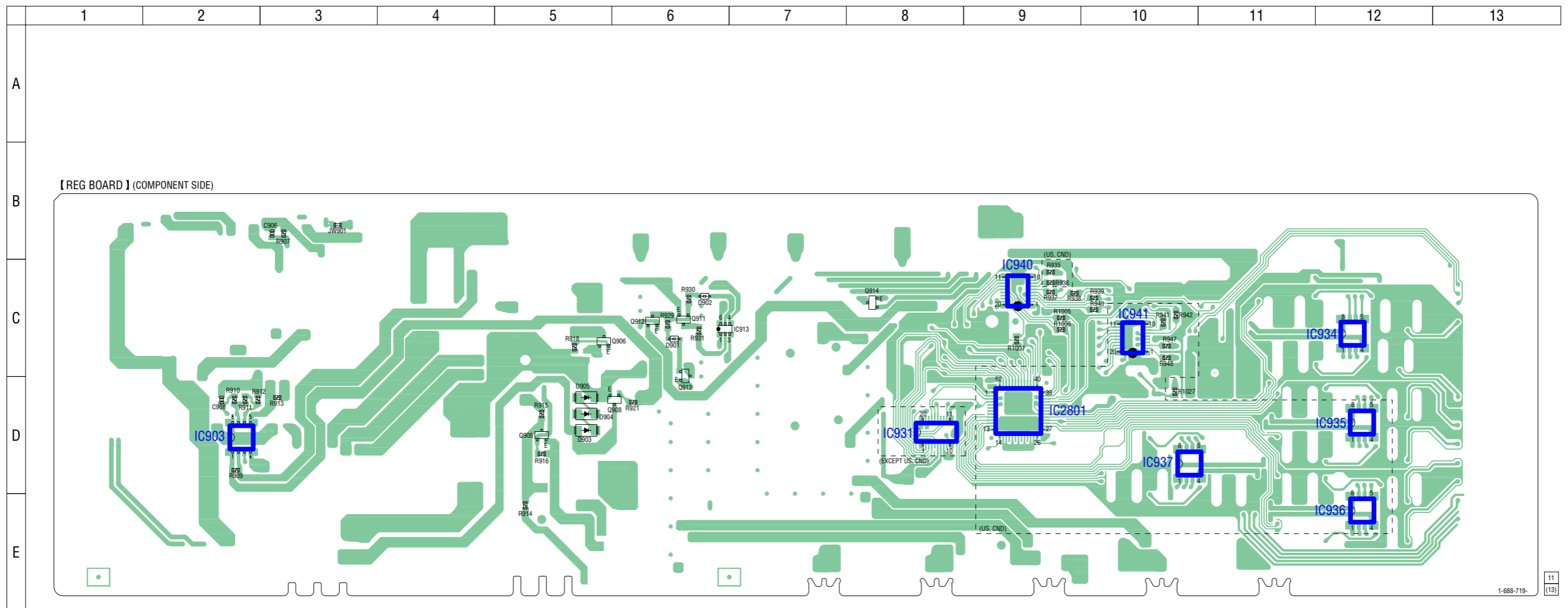
VOL BOARD CN1004 (Page 73)

FUNCTION BOARD CN1005 (Page 73)

6-54. SCHEMATIC DIAGRAM – PANEL Section –



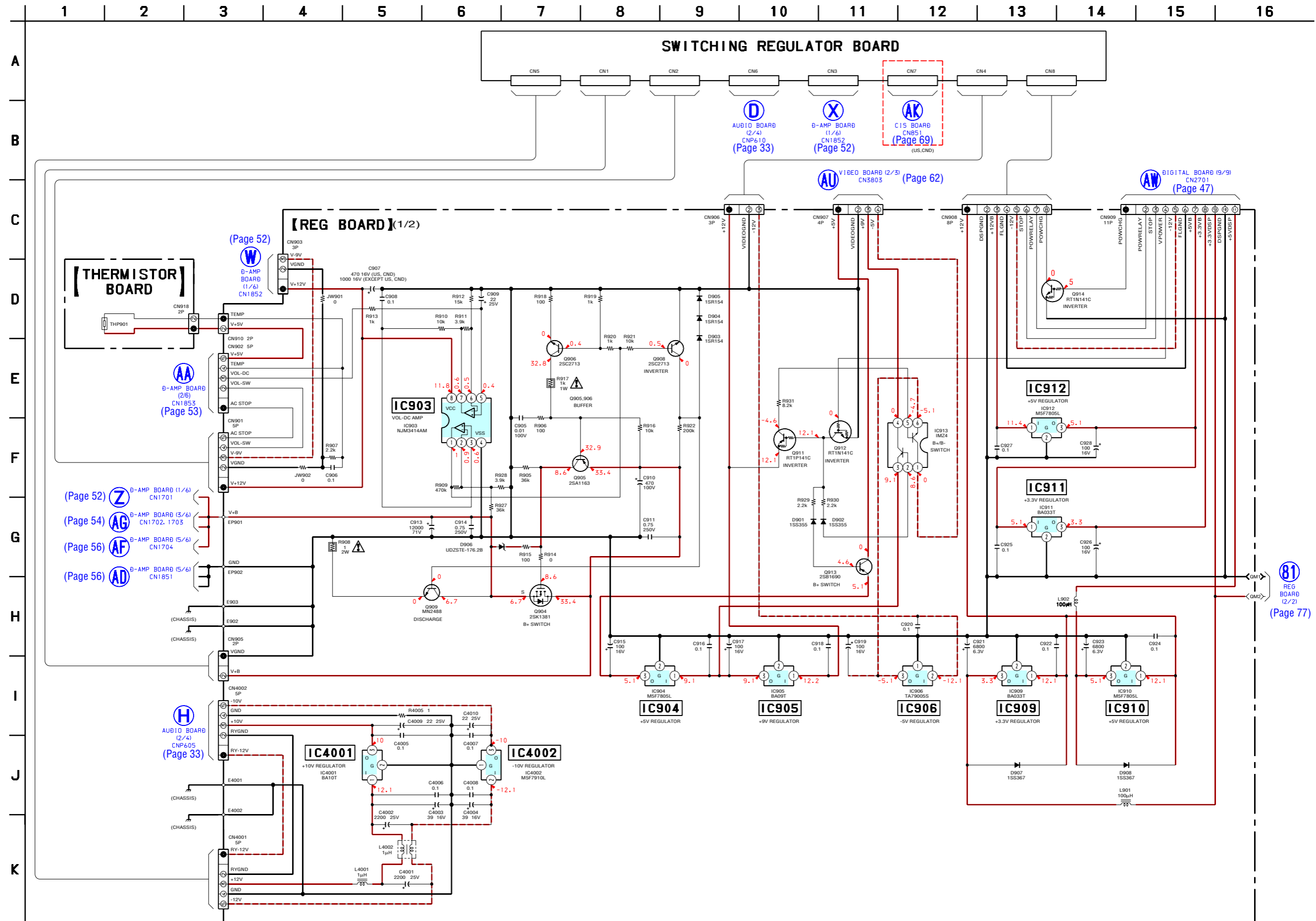
6-55. PRINTED WIRING BOARD – REG Section (Component Side) – • See page 29 for Circuit Boards Location.  :Uses unleaded solder.



• Semiconductor Location

Ref. No.	Location
D901	C-6
D902	C-6
D903	D-5
D904	D-5
D905	D-5
IC903	D-2
IC913	C-6
IC931	D-8
IC934	C-12
IC935	D-12
IC936	E-12
IC937	D-0
IC940	C-9
IC941	C-10
IC2801	D-9
Q905	D-5
Q906	C-5
Q908	E-6
Q911	C-6
Q912	C-6
Q913	C-6
Q914	C-8

6-57. SCHEMATIC DIAGRAM – REG Section (1/2) –

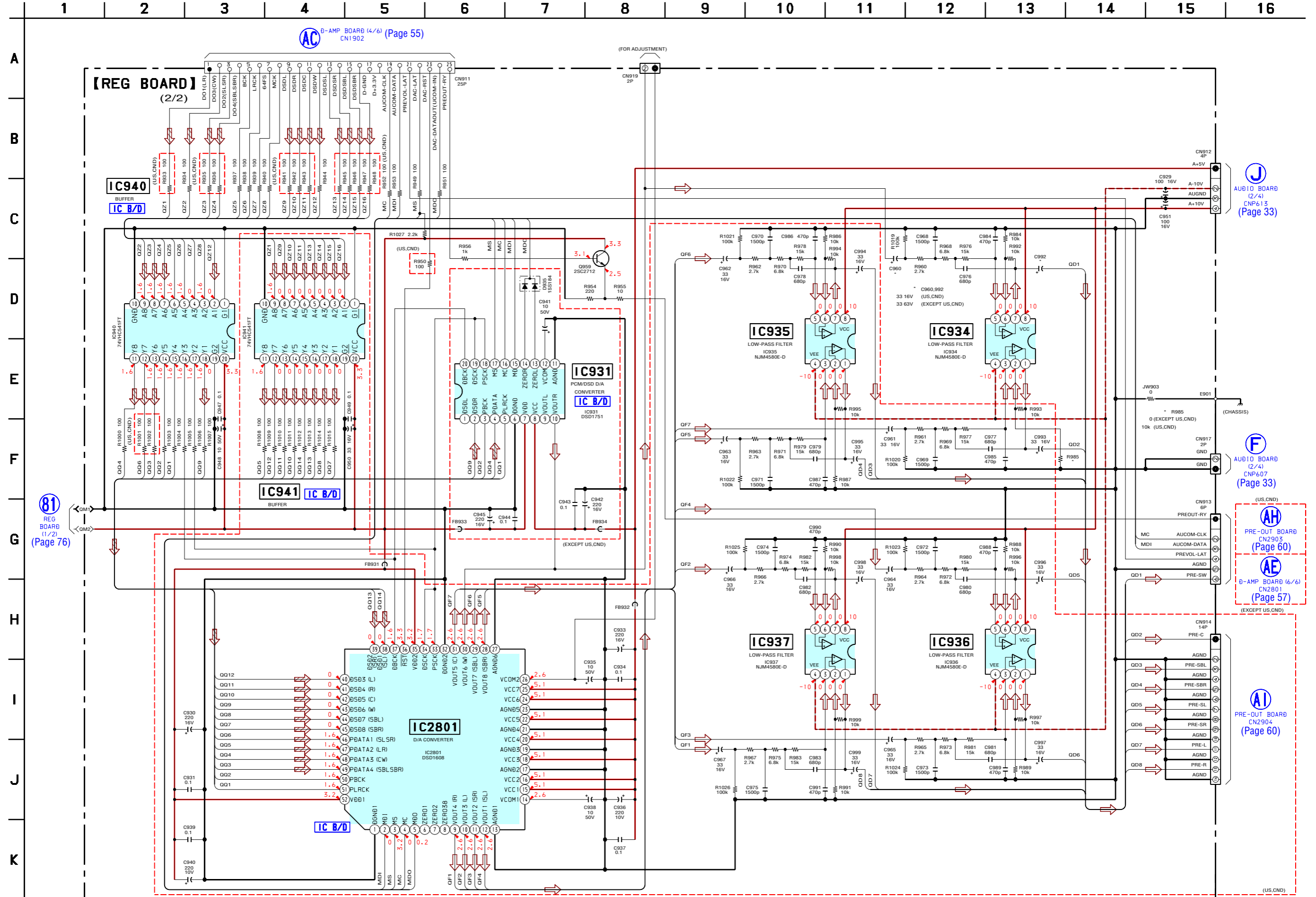


The components identified by mark Δ or dotted line with mark Δ are critical for safety. Replace only with part number specified.

Les composants identifiés par une marque Δ sont critiques pour la sécurité. Ne les remplacer que par une pièce portant le numéro spécifié.

以阴影和 Δ 标志来识别的零部件在安全方面具有关键性。因此只能以规定号码的零部件来更换。

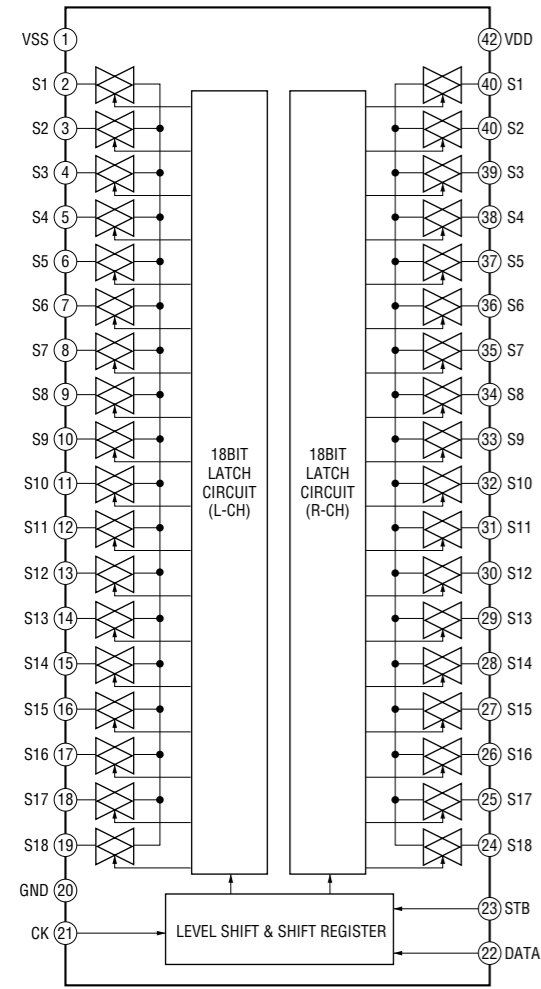
6-58. SCHEMATIC DIAGRAM – REG Section (2/2) – • See page 78 for IC Block Diagrams.



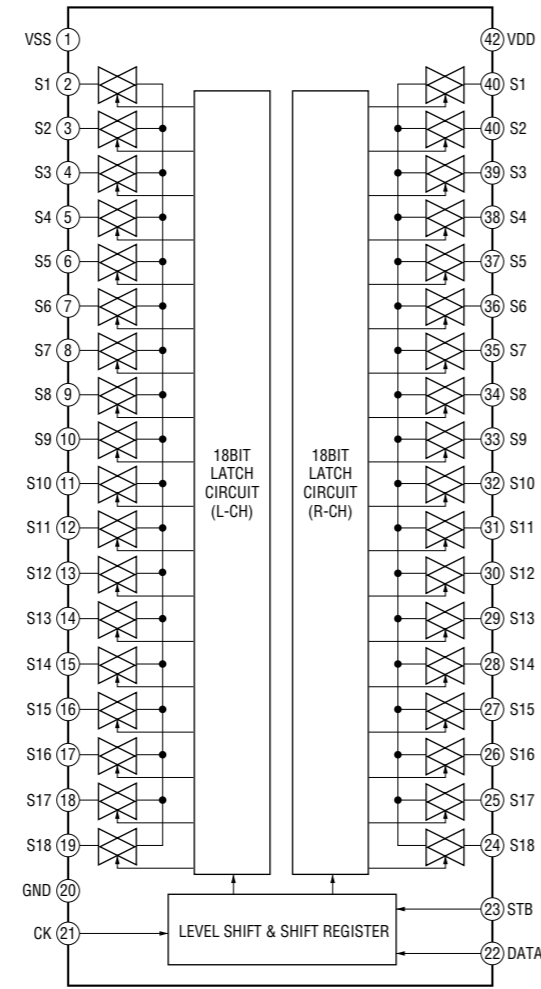
STR-DA5000ES

• IC Block Diagrams
– AUDIO Board –

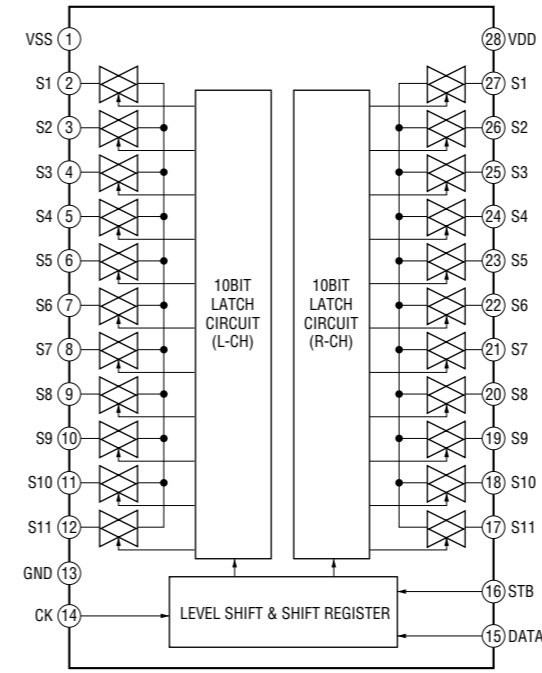
IC326, 341 TC9274N-016



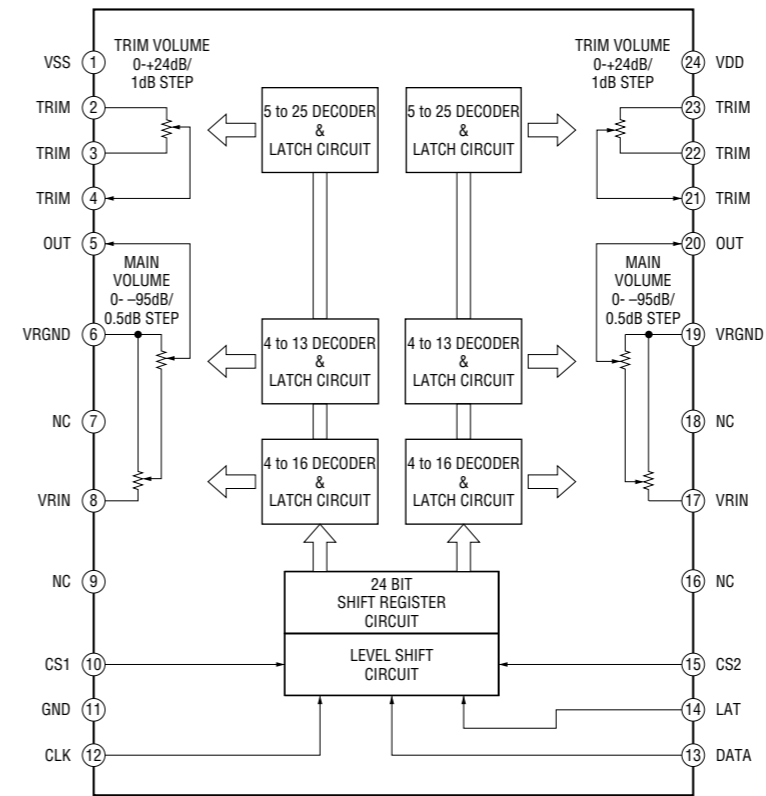
IC401, 501 TC9274N-015



IC601 TC9273N-013

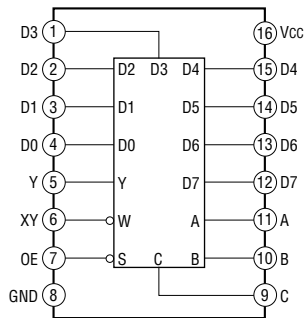


IC642, 652 CXD9725M

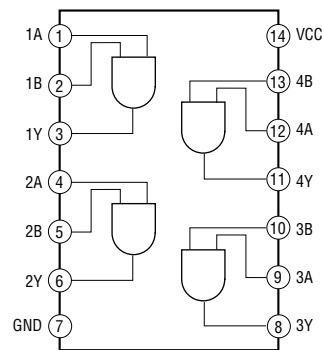


– DIGITAL Board –

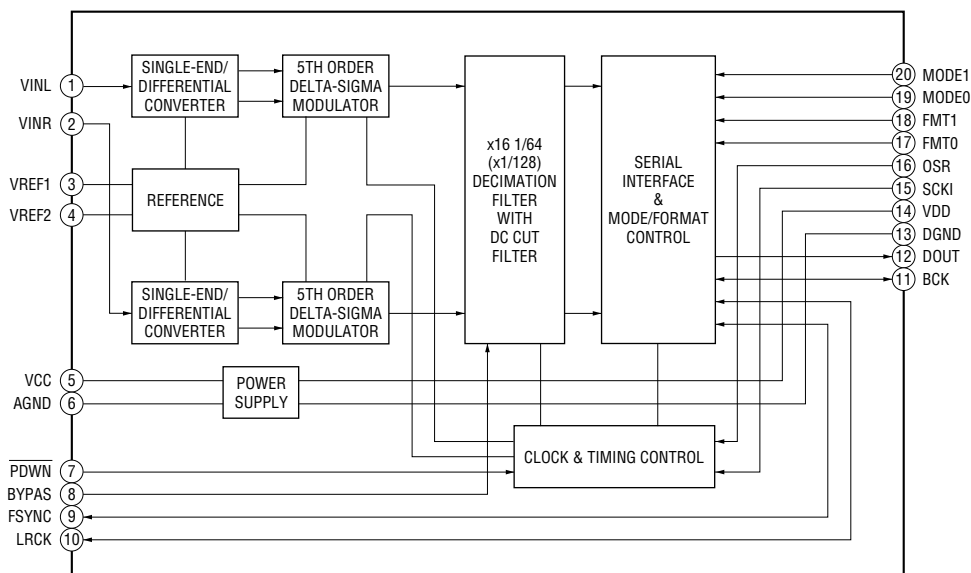
IC2005 TC74HC151AF (EL)



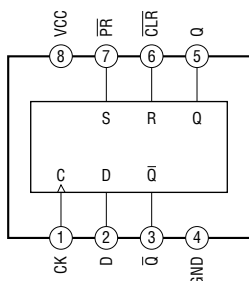
IC2007 TC7WH08FU (TE12R)



IC2010 PCM1802DBR

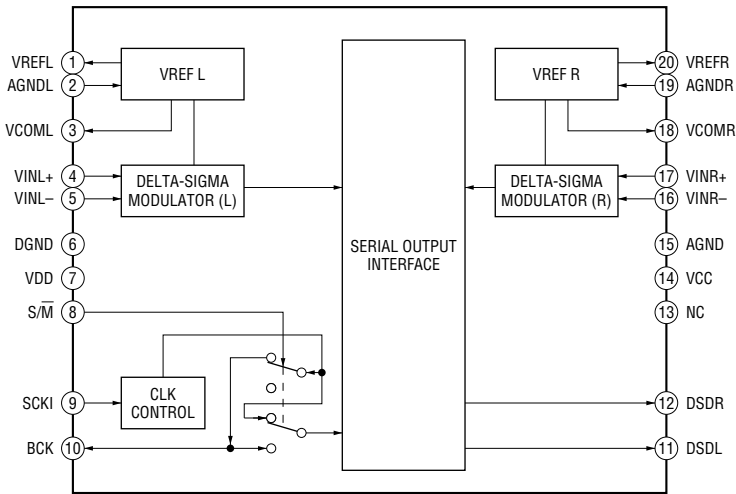


IC2011, 2124, 2304, 2402, 2430 TC7WH74FU (TE12R)

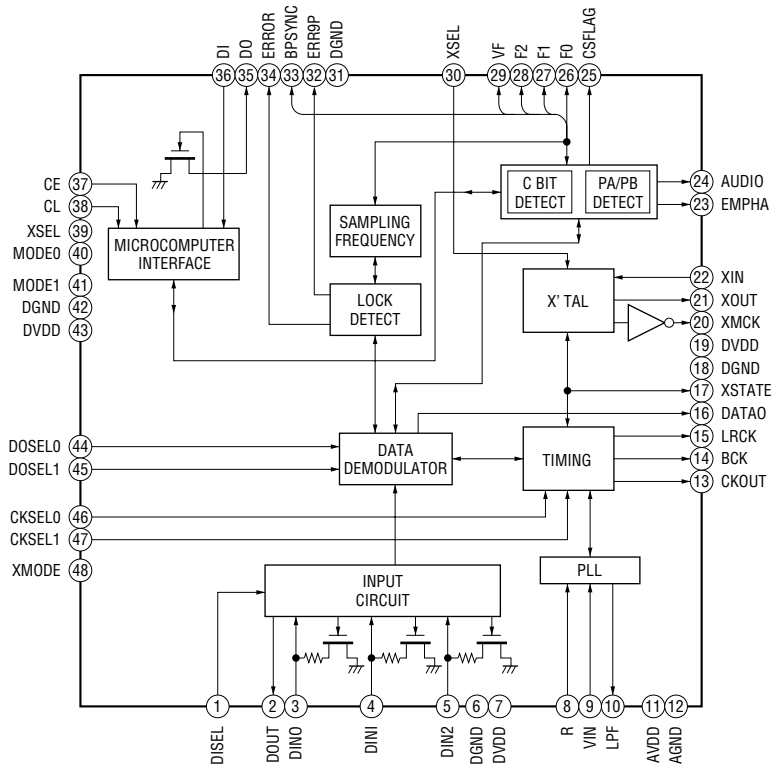


STR-DA5000ES

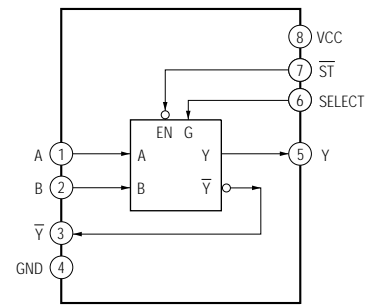
IC2012-2015 DSD1800DBR



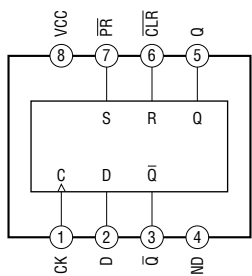
IC2121 LC89056W-E



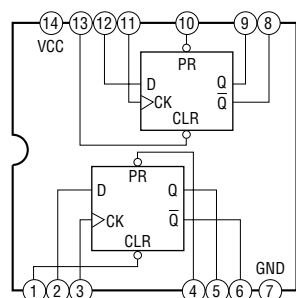
IC2123, 2207 TC7WH157FU (TE12R)



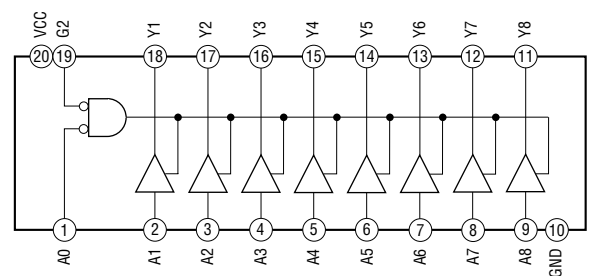
IC2305 TC7W74F



IC2429 TC74VHC74FT (EL)

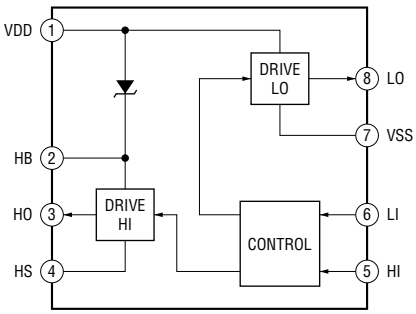


IC2501-2503 TC74AC541FT (EL)

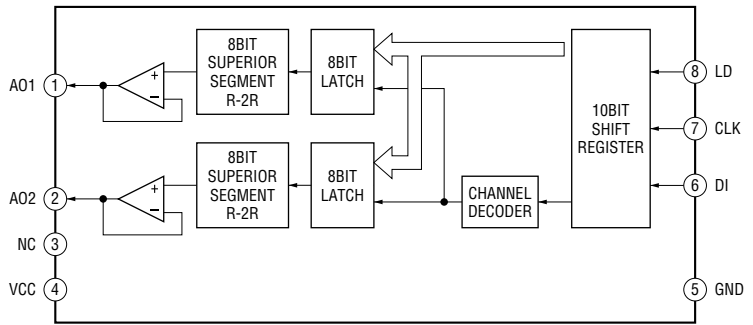


STR-DA5000ES

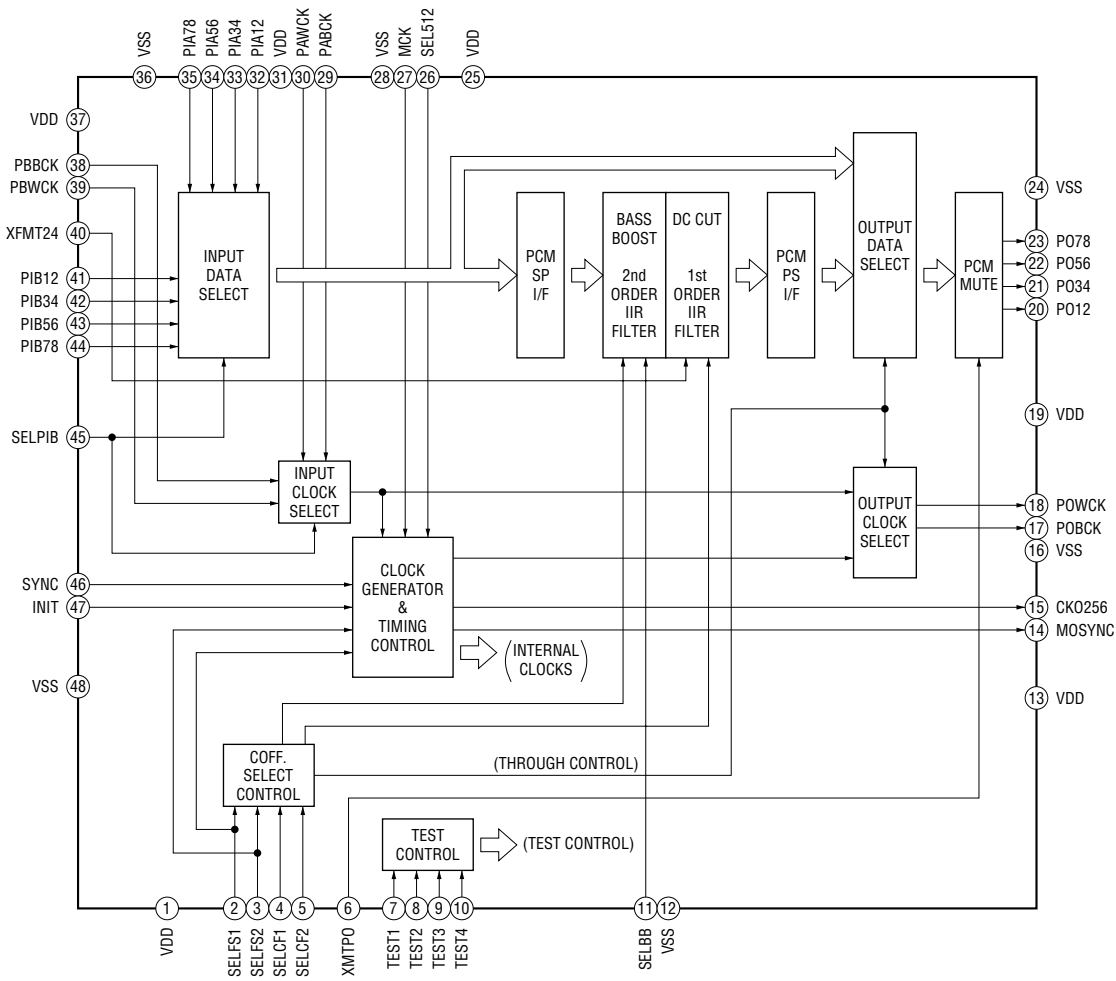
IC1531-1537, 1541-1547 HIP2101IBZT



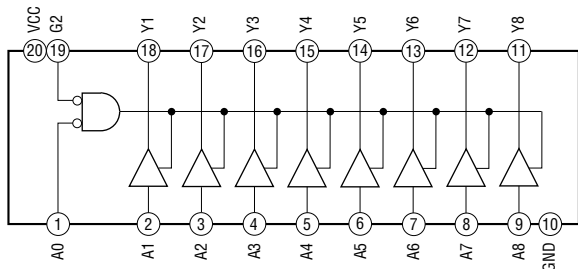
IC1841 M62342FP



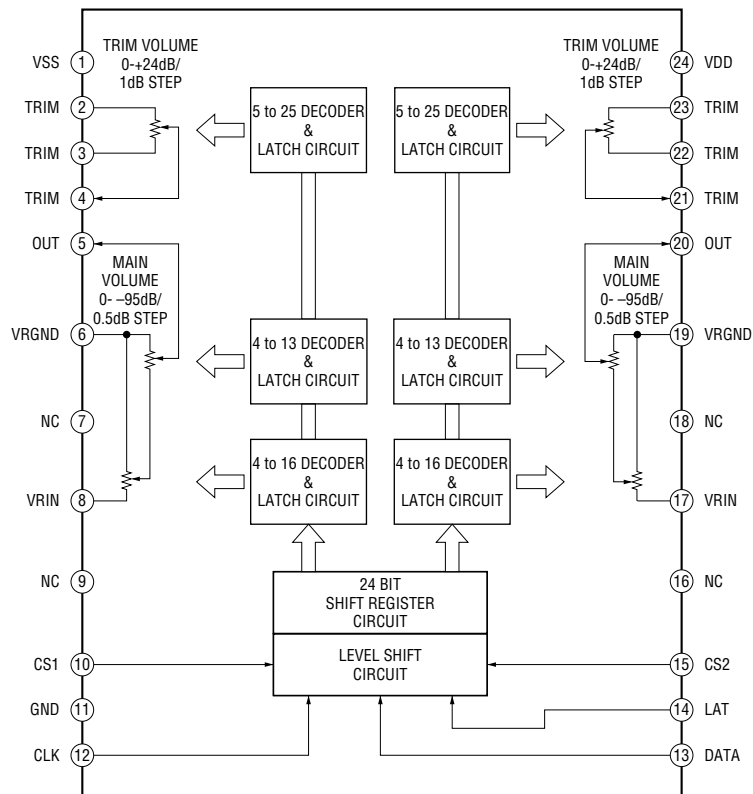
IC1950 CXD9776AQ



IC1900, 1910, 1940 TC74VHC541FT (EL)

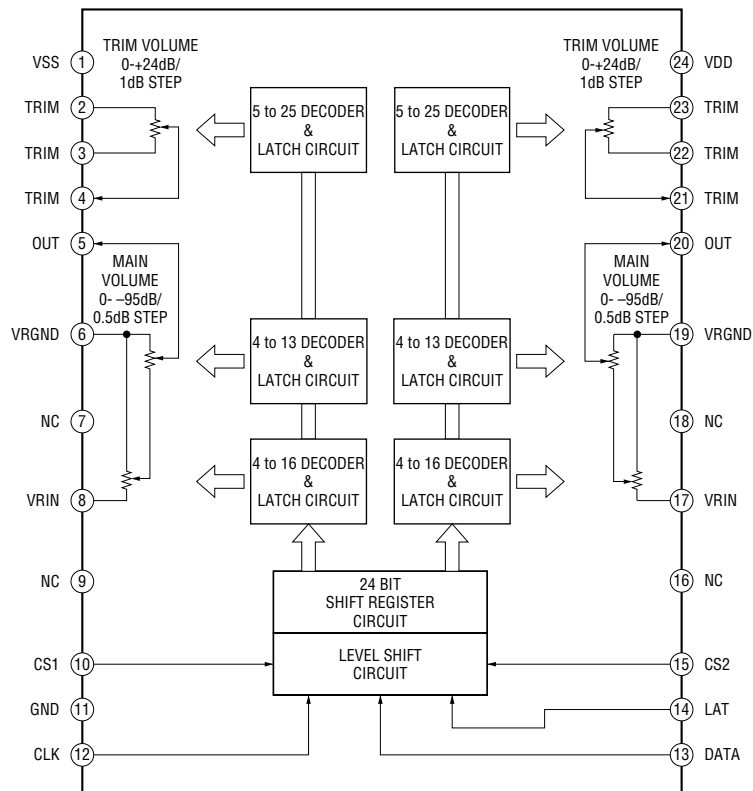


IC2862 CXD9725M



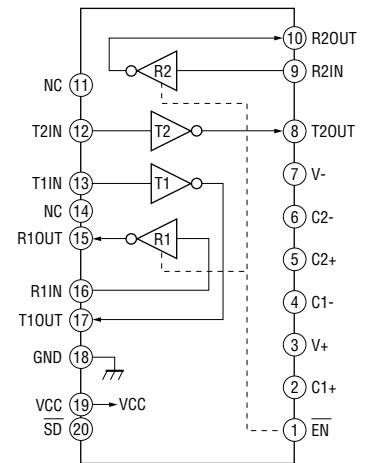
– PRE-OUT Board –

IC2812, 2862, 2912, 2962 CXD9725M

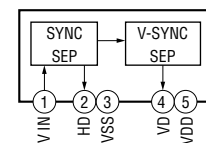


– VIDEO Board –

IC3201 ADM3222ARU-REEL

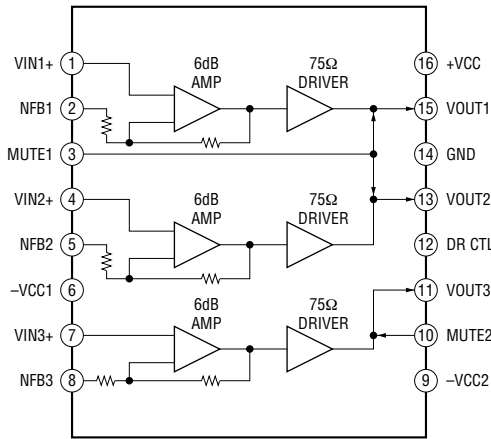


IC3311, 3731 LA7213

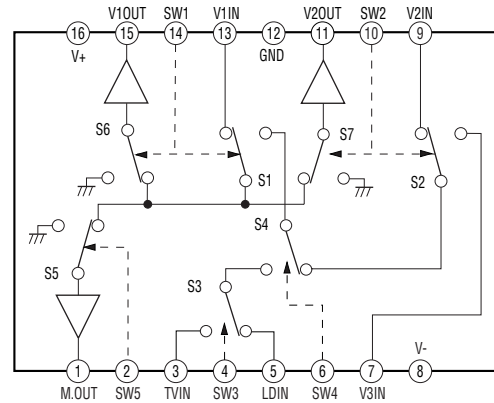


STR-DA5000ES

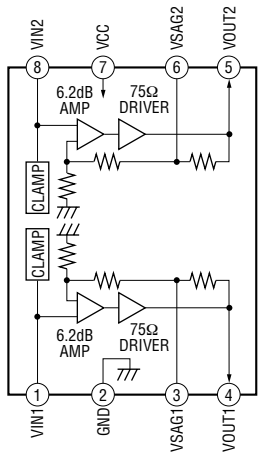
IC3321 LA7106M-TLM



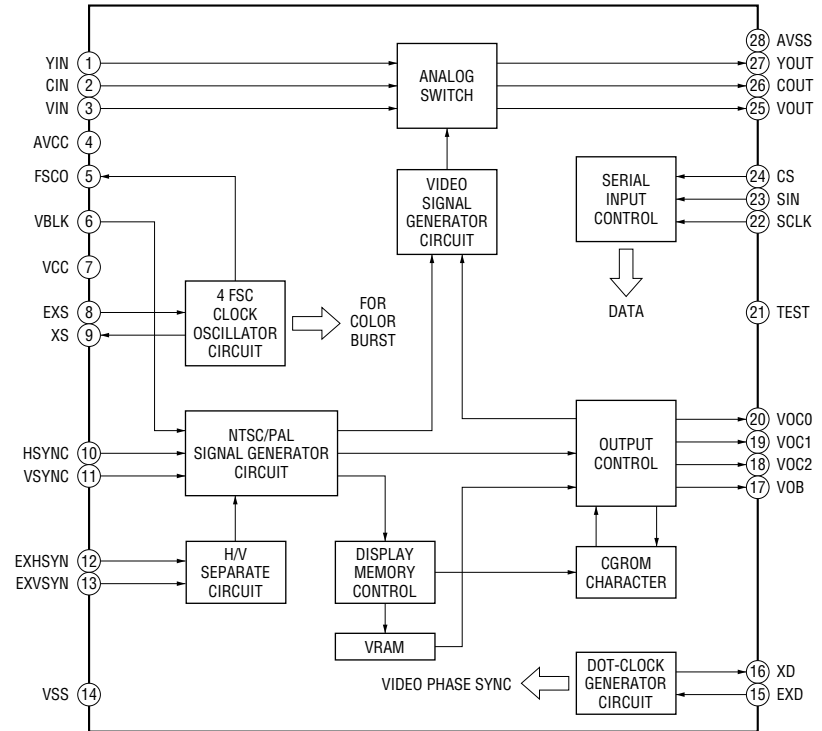
IC3421, 3431 NJM-2296M-TE2



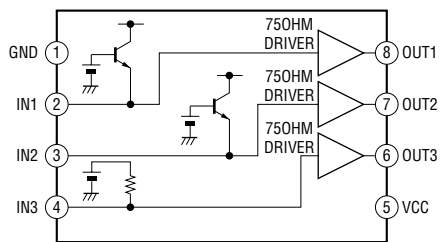
IC3451, 3641 NJM2267M (TE2)



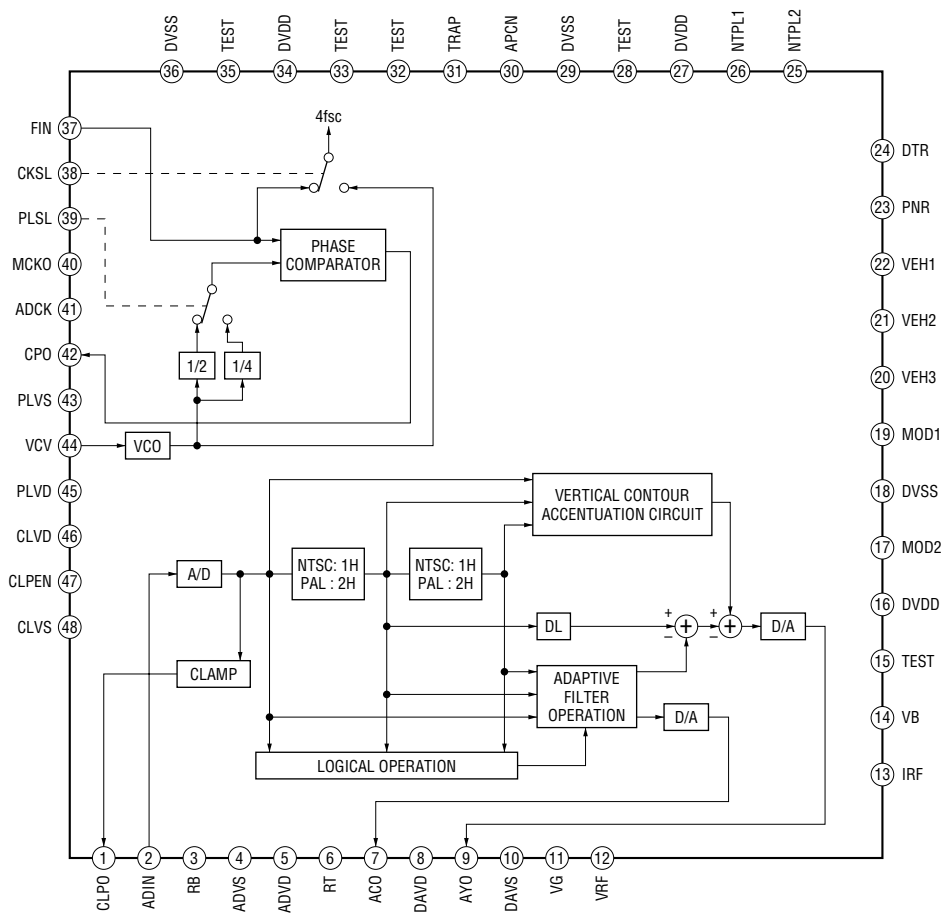
IC3501 MB90089F-G-238-BND



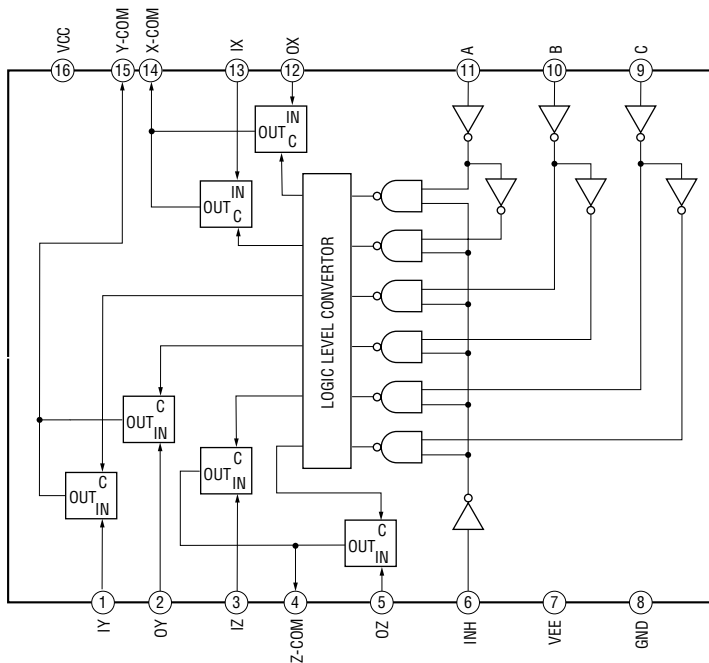
IC3521 BA7622F-E2-A



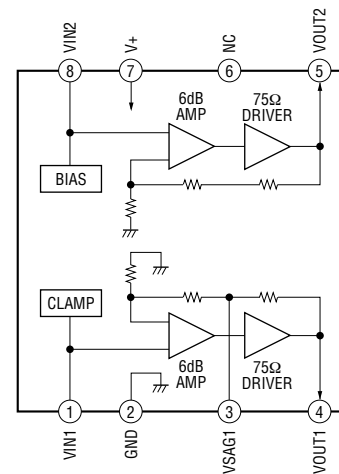
IC3601 CXD2064Q

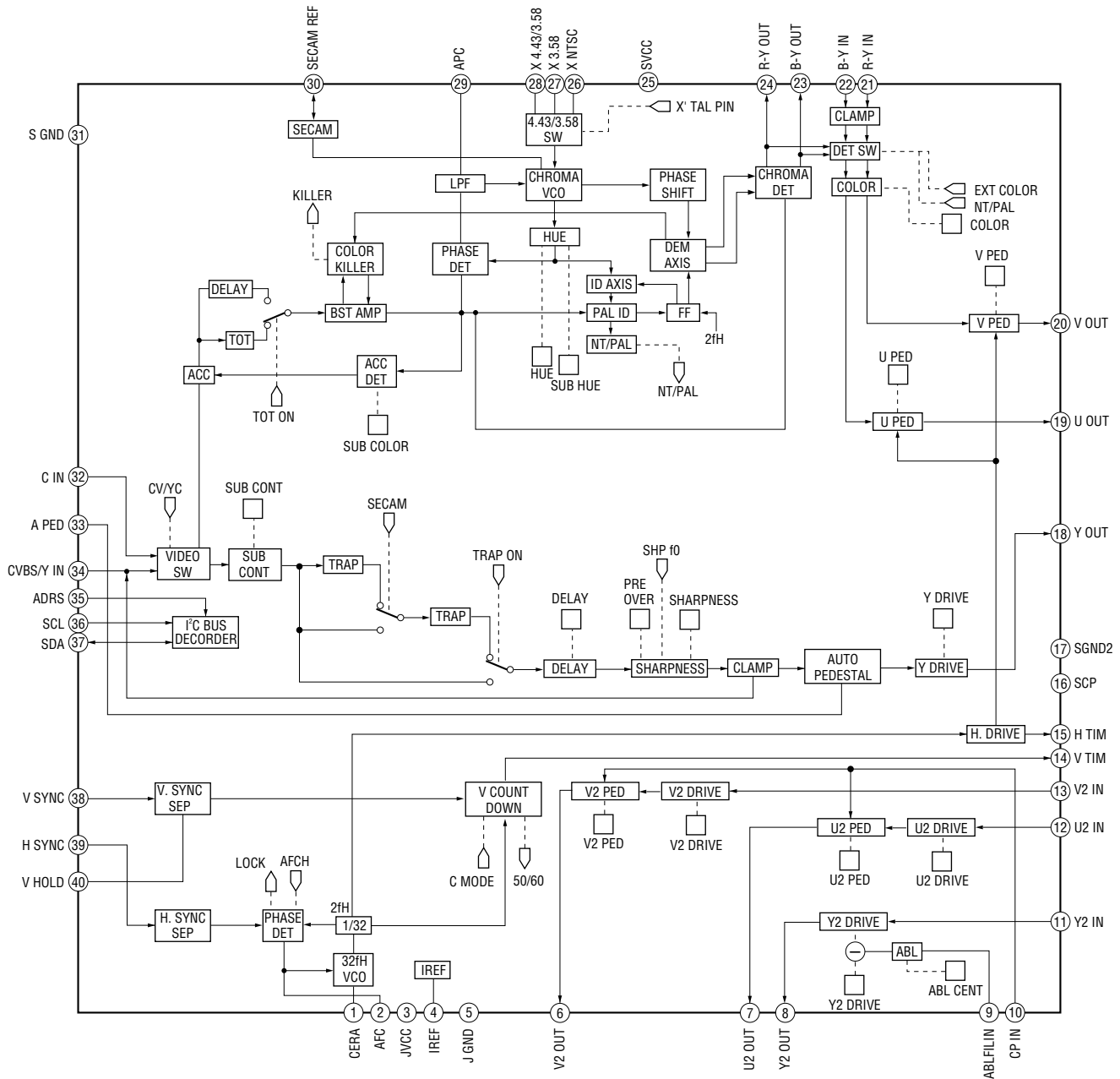


IC3651, 3661, 3751 TC74HC4053AFEL

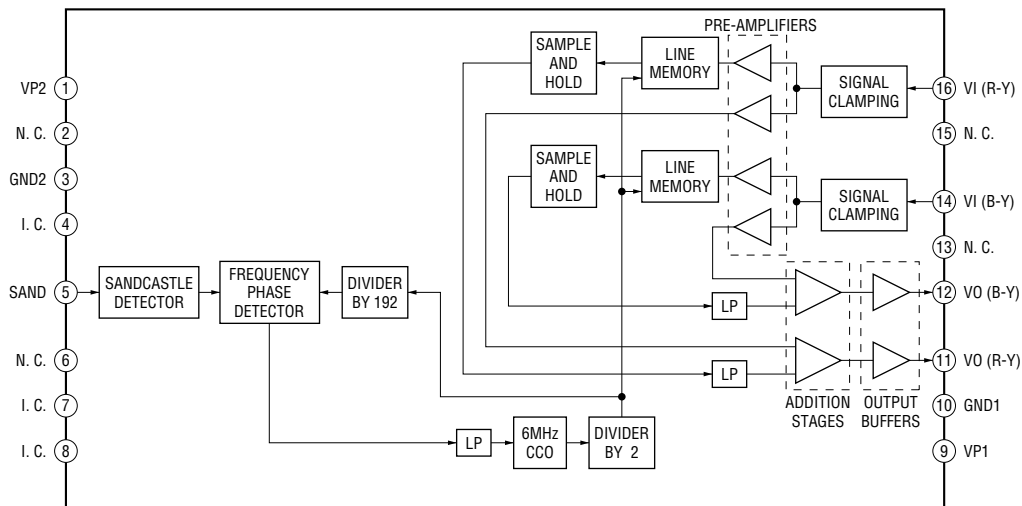


IC3671, 3741 NJM2268V (TE2)

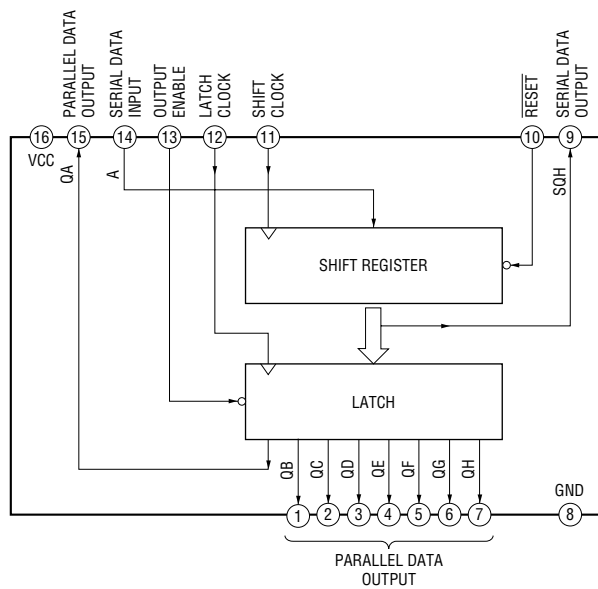




IC3721 TDA4662T-V3

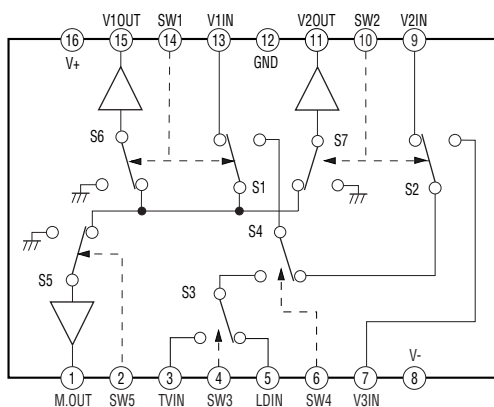


IC3812, 3813 TC74HC595AF (EL)

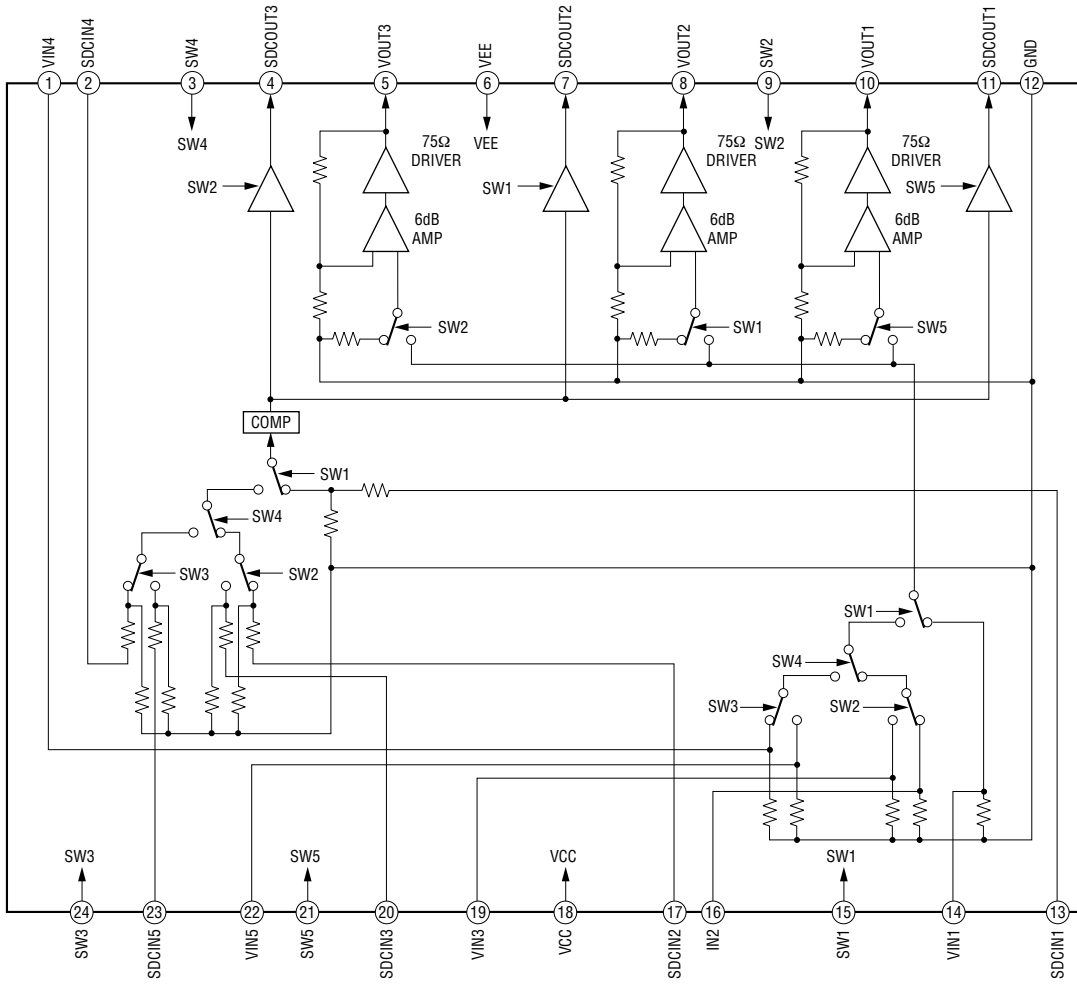


- S-VIDEO Board -

IC701 NJM-2296M-TE2

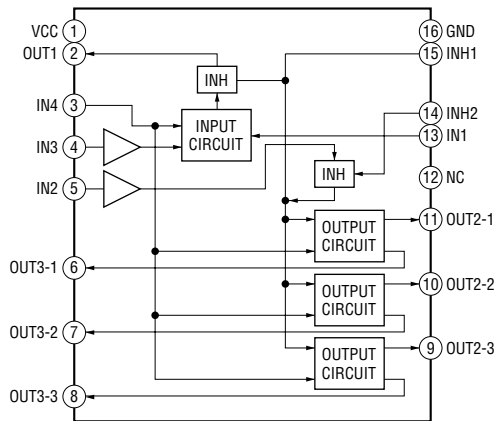


IC702 NJM2596M (TE2)



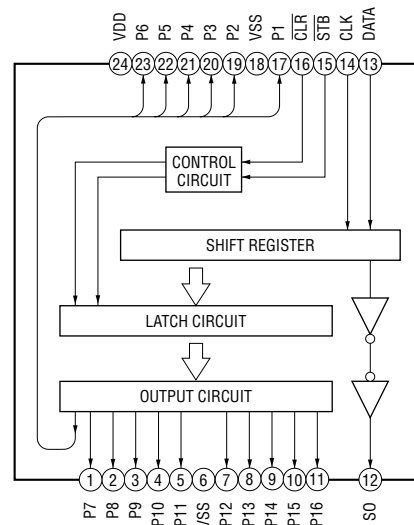
- CIS Board -

IC861 NJM2145M-TE2



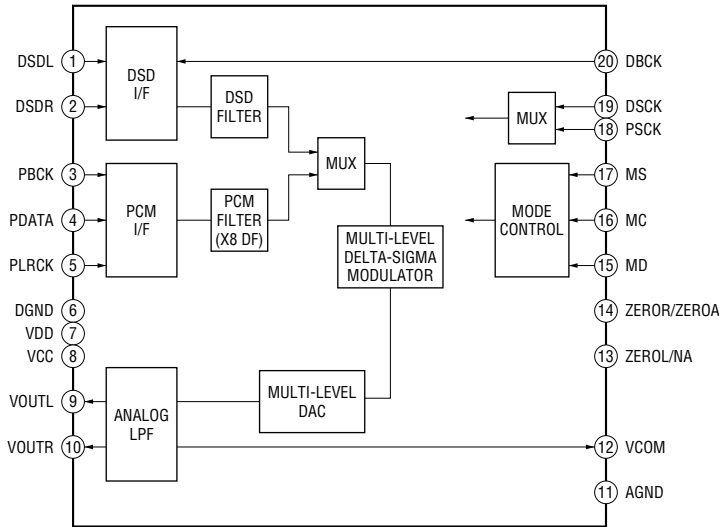
- FL Board -

IC1004 NJU3716M-T2

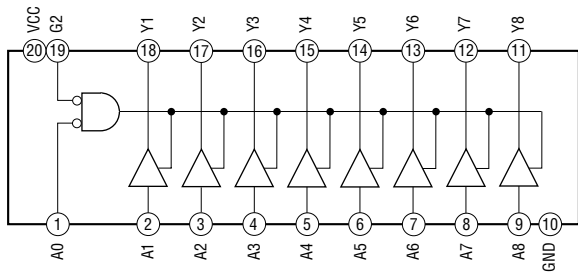


– REG Board –

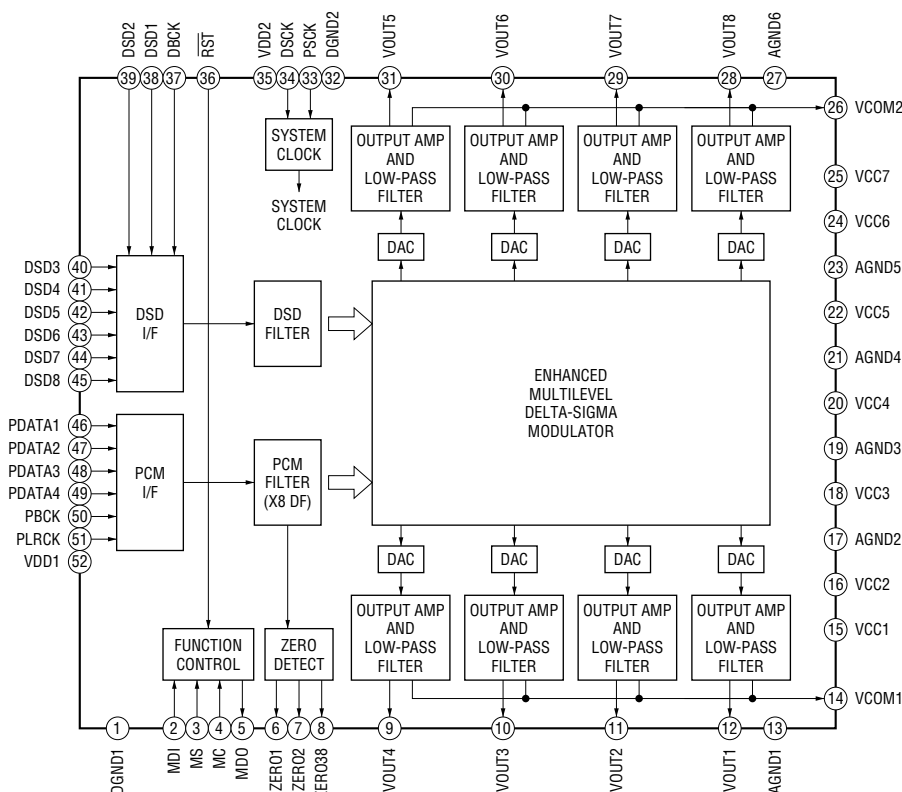
IC931 DSD1751DBQR



IC940, 941 TC74VHC541FT (EL)



IC2801 DSD1608PAHR



6-59. IC PIN FUNCTION DESCRIPTION

• DIGITAL BOARD IC2121 LC89056W-E (DIGITAL AUDIO INTERFACE RECEIVER)

Pin No.	Pin Name	I/O	Description
1	DISEL	I	Selection signal input terminal of data input terminal Fixed at "L" in this set
2	DOUT	O	Digital data output to the external output terminal Not used
3	DIN0	I	Digital data input from the external input terminal
4, 5	DIN1,DIN2	I	Digital data input from the external input terminal Fixed at "L" in this set
6	D. GND	—	Ground terminal (for digital)
7	DVDD	—	Power supply terminal (+3.3V) (for digital)
8	R	I	Input terminal for VCO gain control
9	VIN	I	Input terminal for VCO free-run frequency setting
10	LPF	O	PLL loop filter setting terminal
11	AVDD	—	Power supply terminal (+3.3V) (for analog)
12	AGND	—	Ground terminal (for analog)
13	CKOUT	O	Audio clock signal output to the selector
14	BCK	O	Bit clock signal (2.8224 MHz) output to the digital signal processor and A/D converter
15	LRCK	O	L/R sampling clock signal (44.1 kHz) output to the digital signal processor and A/D converter
16	DATAO	O	Audio serial data output to the digital signal processor and main system controller
17	XSTATE	O	Source clock selection monitor output to the main system controller
18	DGND	—	Ground terminal (for digital)
19	DVDD	—	Power supply terminal (+3.3V) (for digital)
20	XMCK	O	System clock signal (12.288 MHz) output to the A/D converter
21	XOUT	O	System clock output terminal (12.288 MHz) Not used
22	XIN	I	System clock input terminal (12.288 MHz)
23	EMPHA	O	Channel status emphasis information output terminal Not used
24	AUDIO	O	Channel status bit 1 output to the digital signal processor
25	CSFLAG	O	Channel status head 40 bit renewal flag output terminal Not used
26 to 29	F0/P0/C0 to F3/P3/C3	O	Output terminal of input frequency calculation result Not used
30	DVDD	—	Power supply terminal (+3.3V) (for digital)
31	DGND	—	Ground terminal (for digital)
32	AUTO	O	Not used
33	BPSYNC	O	Non-PCM burst preamble sync signal output terminal Not used
34	ERROR	O	PLL lock error signal and data error flag output to the digital signal processor and main system controller
35	DO	O	Read data output to the main system controller
36	DI	I	Write data input from the main system controller
37	CE	I	Chip enable signal input from the main system controller
38	CLK	I	Clock signal input from the main system controller
39	XSEL	I	Selection signal input terminal of crystal oscillator frequency Fixed at "H" in this set
40, 41	MODE0, MODE1	I	Mode setting terminal Fixed at "L" in this set
42	DGND	—	Ground terminal (for digital)
43	DVDD	—	Power supply terminal (+3.3V) (for digital)
44, 45	DOSEL0, DOSEL1	I	Output data format selection signal input terminal Fixed at "L" in this set
46	CKSEL0	I	Output clock selection signal input terminal Fixed at "L" in this set
47	CKSEL1	I	Output clock selection signal input from the main system controller
48	XMODE	I	System reset signal input from the main system controller "L": reset

Pin No.	Pin Name	I/O	Description
50	RY	O	Relay drive signal output terminal
51	SHIFT	O	Serial data transfer clock signal output to the PCM/PWM processor
52	/SO1 SCDT	O	Serial data output to the PCM/PWM processor
53	/SI1 SR-B	O	Relay drive signal output terminal Not used
54	C RY	O	Not used (open)
55	SB RY	O	Not used (open)
56	VCC	—	Power supply terminal (+3.3V)
57	SP RY	O	Relay drive signal output terminal Not used (open)
58	HP RY	O	Relay drive signal output terminal (for headphone)
59	—	I	Not used (open)
60	U-SUB2	O	Serial data signal output to main system controller
61	—	I	Not used (open)
62	FORMAT	I	Not used (connected to VDD)
63	HENCYO	I	Not used (connected to VDD)
64	MUTE	I	Muting on/off control signal output terminal Not used (open)

• DIGITAL BOARD IC2201 CXD9718Q (DIGITAL SIGNAL PROCESSOR)

Pin No.	Pin Name	I/O	Description
1	VSS	—	Ground terminal
2	XRST	I	System reset signal input from the main system controller “L”: reset
3	EXTIN	I	Master clock signal input terminal Not used
4	FS2	I	Sampling frequency selection signal input terminal Not used
5	VDDI	—	Power supply terminal (+2.5V)
6	FS1	I	Sampling frequency selection signal input terminal Not used
7	PLOCK	O	Internal PLL lock signal output terminal Not used
8	VSS	—	Ground terminal
9	MCLK1	I	System clock input terminal (13.5 MHz)
10	VDDI	—	Power supply terminal (+2.5V)
11	VSS	—	Ground terminal
12	MCLK2	O	System clock output terminal (13.5 MHz)
13	MS	I	Master/slave setting terminal “L”: internal clock, “H”: external clock Fixed at “L” in this set
14	SCKOUT	O	Internal system clock output terminal Not used
15	LRCKI1	I	L/R sampling clock signal (44.1 kHz) input from the A/D converter and digital audio interface receiver
16	VDDE	—	Power supply terminal (+3.3V)
17	BCKI1	I	Bit clock signal (2.8224 MHz) input from the A/D converter and digital audio interface receiver
18	SDI1	I	Audio serial data input from the A/D converter
19	LRCKO	O	L/R sampling clock signal (44.1 kHz) output to the digital signal processor
20	BCKO	O	Bit clock signal (2.8224 MHz) output to the digital signal processor
21	VSS	—	Ground terminal
22	KFSIO	I	Audio clock signal input from the digital audio interface receiver
23 to 26	SDO1 to SDO4	O	Audio serial data output to the digital signal processor
27	SPDIF	O	SPDIF signal output terminal Not used
28	LRCKI2	I	L/R sampling clock signal (44.1 kHz) input from the A/D converter and digital audio interface receiver
29	BCKI2	I	Bit clock signal (2.8224 MHz) input from the A/D converter and digital audio interface receiver
30	SDI2	I	Audio serial data input from the digital audio interface receiver
31	VSS	—	Ground terminal
32	HACN	O	Acknowledge signal output to the main system controller
33	HDIN	I	Serial data input from the main system controller
34	HCLK	I	Serial data transfer clock signal input from the main system controller
35	HDOOUT	O	Serial data output to the main system controller
36	HCS	I	Chip select input from the main system controller
37	SDCLK	I	Write signal input from the system controller Not used
38	CLKEN	O	SD-RAM chip enable output terminal Not used
39	RAS	O	Row address strobe signal output terminal Not used
40	VDDI	—	Power supply terminal (+2.5V)
41	VSS	—	Ground terminal
42	CAS	O	Column address strobe signal output terminal Not used
43	DQM/OE0	O	Output terminal of data input/output mask Not used
44	CS0	O	Chip select signal output to the S-RAM
45	WE0	O	Write enable signal output to the S-RAM

Pin No.	Pin Name	I/O	Description
46	VDDE	—	Power supply terminal (+3.3V)
47	WMD1	I	External memory wait mode setting terminal Fixed at “H” in this set
48	VSS	—	Ground terminal
49	WMD0	I	External memory wait mode setting terminal Fixed at “H” in this set
50	PAGE2	O	External memory page selection signal output terminal Not used
51	VSS	—	Ground terminal
52, 53	PAGE1, PAGE0	O	External memory page selection signal output terminal Not used
54	BOOT	I	Boot mode control signal input terminal Not used
55	BTACT	O	Boot mode state display signal output terminal Not used
56	BST	I	Boot strap signal input from the main system controller
57	MOD1	I	Operation mode setting terminal “L”: enhanced mode, “H”: normal mode Fixed at “H” in this set
58	MOD0	I	Operation mode setting terminal “L”: single chip mode, “H”: can not use Fixed at “L” in this set
59	EXLOCK	I	PLL lock error signal and data error flag input from the digital audio interface receiver
60	VDDI	—	Power supply terminal (+2.5V)
61	VSS	—	Ground terminal
62, 63	A17, A16	O	Address signal output terminal Not used
64 to 66	A15 to A13	O	Address signal output to the S-RAM
67	GP10	I	L/R sampling clock signal (44.1 kHz) input terminal Not used
68	GP9	O	Read ready signal output to the main system controller
69	GP8	I	Channel status bit 1 input from the digital audio interface receiver
70	VDDI	—	Power supply terminal (+2.5V)
71	VSS	—	Ground terminal
72 to 75	D15 to D12	I/O	Two-way data bus with the S-RAM
76	VDDE	—	Power supply terminal (+3.3V)
77 to 80	D11 to D8	I/O	Two-way data bus with the S-RAM
81	VSS	—	Ground terminal
82 to 85	A9, A12 to A10	O	Address signal output to the S-RAM
86	TDO	O	Simplicity emulation data output terminal Not used
87	TMS	I	Simplicity emulation data input start and end terminal Not used
88	XTRST	I	Simplicity emulation non-sync break signal input terminal Not used
89	TCK	I	Simplicity emulation clock signal input terminal Not used
90	TDI	I	Simplicity emulation data input terminal Not used
91	VSS	—	Ground terminal
92 to 97	A8 to A3	O	Address signal output to the S-RAM
98, 99	D7, D6	I/O	Two-way data bus with the S-RAM
100	VDDI	—	Power supply terminal (+2.5V)
101	VSS	—	Ground terminal
102 to 105	D5 to D2	I/O	Two-way data bus with the S-RAM
106	VDDE	—	Power supply terminal (+3.3V)
107, 108	D1, D0	I/O	Two-way data bus with the S-RAM
109, 110	A2, A1	O	Address signal output to the S-RAM
111	VSS	—	Ground terminal
112	A0	O	Address signal output to the S-RAM
113	PM	I	PLL initialize signal input from the main system controller

STR-DA5000ES

Pin No.	Pin Name	I/O	Description
114, 115	SDI3, SDI4	I	Audio serial data input terminal Not used
116	SYNC	I	Sync/non-sync setting terminal “L”: sync, “H”: non-sync Fixed at “H” in this set
117 to 119	VSS	—	Ground terminal
120	VDDI	—	Power supply terminal (+2.5V)

• DIGITAL BOARD IC2251 CXD9616BR (DIGITAL SIGNAL PROCESSOR)

Pin No.	Pin Name	I/O	Description
1	VDDI	—	Power supply terminal (+2.5V)
2	EXTIN	I	Master clock signal input terminal Not used
3, 4	WMD1, WMD0	I	External memory wait mode setting terminal Fixed at “H” in this set
5	MOD1	I	Operation mode setting terminal “L”: enhanced mode, “H”: normal mode Fixed at “H” in this set
6	MOD0	I	Operation mode setting terminal “L”: single chip mode, “H”: can not use Fixed at “L” in this set
7	VSS	—	Ground terminal
8	XRST	I	System reset signal input from the main system controller “L”: reset
9	VSS	—	Ground terminal
10	SCKOUT	O	Internal serial clock signal output terminal Not used
11	VDDI (PLL)	—	Power supply terminal (+2.5V) (for PLL)
12	SYNC	I	Sync/non-sync setting terminal “L”: sync, “H”: non-sync Fixed at “H” in this set
13 to 15	PAGE2 to PAGE0	O	External memory page selection signal output terminal Not used
16	PLOCK	O	Internal PLL lock signal output terminal Not used
17	BTACK	I	Boot mode state display signal output terminal Not used
18	VDDE	—	Power supply terminal (+3.3V)
19	VSS	—	Ground terminal
20 to 22	D31 to D29	I/O	Two-way data bus with the S-RAM
23	A17	O	Address signal output terminal Not used
24	VSS	—	Ground terminal
25	SDO3	O	Audio serial data output to the lip sync adjust
26	SDO4	O	Audio serial data output to the lip sync adjust
27, 28	SDI1, SDI2	I	Audio serial data input from the digital signal processor
29	LRCKI1	I	L/R sampling clock signal (44.1 kHz) input from the digital signal processor
30	VSS	—	Ground terminal
31, 32	D28, D27	I/O	Two-way data bus with the S-RAM
33	A16	O	Address signal output terminal Not used
34	A15	O	Address signal output to the S-RAM
35	SDI3	I	Audio serial data input from the digital signal processor
36	L2	—	Not used
37	VDDI	—	Power supply terminal (+2.5V)
38	BCKI1	I	Bit clock signal (2.8224 MHz) input from the digital signal processor
39	SDI4	I	Audio serial data input from the digital signal processor
40	MS	I	Master/slave setting terminal “L”: internal clock, “H”: external clock Fixed at “L” in this set
41, 42	A14, A13	O	Address signal output to the S-RAM
43, 44	D26, D25	I/O	Two-way data bus with the S-RAM
45	VSS	—	Ground terminal
46	BCKI2	I	Bit clock signal (2.8224 MHz) input terminal Not used
47, 48	FS2, FS1	I	Sampling frequency selection signal input terminal Not used
49	SPDIF	I	SPDIF signal input terminal Not used
50	A12	O	Address signal output to the S-RAM
51 to 53	D24 to D22	I/O	Two-way data bus with the S-RAM
54	VDDE	—	Power supply terminal (+3.3V)

STR-DA5000ES

Pin No.	Pin Name	I/O	Description
55	VSS	—	Ground terminal
56 to 58	D21 to D19	I/O	Two-way data bus with the S-RAM
59	A11	O	Address signal output to the S-RAM
60, 61	SDO1, SDO2	O	Audio serial data output to the lip sync adjust
62	KFSIO	I	Audio clock signal input from the digital audio interface receiver
63	LRCKO	O	L/R sampling clock signal (44.1 kHz) output terminal
64	BCKO	O	Bit clock signal (2.8224 MHz) output terminal
65	VDDI	—	Power supply terminal (+2.5V)
66	VSS	—	Ground terminal
67, 68	D18, D17	I/O	Two-way data bus with the S-RAM
69, 70	A10, A9	O	Address signal output to the S-RAM
71	CAS	O	Column address strobe signal output terminal Not used
72	RAS	O	Row address strobe signal output terminal Not used
73	VDDI	—	Power supply terminal (+2.5V)
74	HDIN	I	Serial data input from the main system controller
75	HCLK	I	Serial data transfer clock signal input from the main system controller
76	HCS	I	Chip select signal input from the main system controller
77, 78	A8, A7	O	Address signal output to the S-RAM
79, 80	D16, D15	I/O	Two-way data bus with the S-RAM
81	VSS	—	Ground terminal
82	HDOOUT	O	Serial data output to the main system controller
83	HACN	O	Acknowledge signal output to the main system controller
84	CSO	O	Chip select signal output to the S-RAM
85	WEO	O	Write enable signal output to the S-RAM
86	A6	O	Address signal output to the S-RAM
87 to 89	D14 to D12	I/O	Two-way data bus with the S-RAM
90	VDDE	—	Power supply terminal (+3.3V)
91	VSS	—	Ground terminal
92 to 94	D11 to D9	I/O	Two-way data bus with the S-RAM
95	A5	O	Address signal output to the S-RAM
96	VDDI	—	Power supply terminal (+2.5V)
97	TCK	I	Simplicity emulation clock signal input terminal Not used
98	TDI	I	Simplicity emulation data input terminal Not used
99	TDO	O	Simplicity emulation data input terminal Not used
100	TMS	I	Simplicity emulation data input start and end select Not used
101	XTRST	I	Simplicity emulation non-sync break signal input terminal Not used
102	VSS	—	Ground terminal
103, 104	D8, D7	I/O	Two-way data bus with the S-RAM
105, 106	A4, A3	O	Address signal output to the S-RAM
107, 108	GP10, GP9	—	Not used
109	VDDI	—	Power supply terminal (+2.5V)
110	GP8	—	Not used
111	GP7	I	L/R sampling clock signal (44.1 kHz) input terminal
112	GP6	—	Not used
113, 114	A2, A1	O	Address signal output to the S-RAM
115, 116	D6, D5	I/O	Two-way data bus with the S-RAM

Pin No.	Pin Name	I/O	Description
117	VSS	—	Ground terminal
118, 119	GP5, GP4	—	Not used
120	GP3	O	Error signal output to the main system controller
121	NC	—	Not used
122	A0	O	Address signal output to the S-RAM
123 to 125	D4 to D2	I/O	Two-way data bus with the S-RAM
126	VDDE	—	Power supply terminal (+3.3V)
127	VSS	—	Ground terminal
128, 129	D1, D0	I/O	Two-way data bus with the S-RAM
130 to 132	GP2 to GP0	—	Not used
133	SDCLK	O	SD-RAM clock signal output terminal Not used
134	CLKEN	I	Fixed at “H” in this set
135	DQM	O	Output terminal of data input/output mask Not used
136	EXLOCK	I	Lock signal input from the main system controller
137	VDDI	—	Power supply terminal (+2.5V)
138	VSS	—	Ground terminal
139	MCLK2	O	System clock output terminal (13.5 MHz)
140	PM	I	PLL initialize signal input from the main system controller
141	BST	I	Boot strap signal input from the main system controller
142	BOOT	I	Boot mode control signal input terminal Not used
143	TST	I	Not used
144	MCLK1	I	System clock input terminal (13.5 MHz)

• DIGITAL BOARD IC2401, IC2426 ISPLSI2032VE-110LTN44-MOD (GPR)

Pin No.	Pin Name	I/O	Description
1	EDGE	I	Clock signal input terminal
2	BCKIN	I	Bit clock signal input terminal
3	BCK2IN	I	Not used (open)
4	I/O	I/O	Not used (open)
5	MCK	I	Serial data transfer clock signal input terminal
6	VCC	—	Power supply terminal (+3.3V)
7	BSCAM	—	Not used (open)
8	IN Q/TDI	I	Not used (open)
9, 10	I/O	I/O	Not used (open)
11	BCKAOUT	O	IC2401: Bit clock signal output, IC2426: Not used (open)
12	MCKOUT	O	Serial data transfer clock signal output terminal
13	DIOUT_8	O	IC2401: SBR-ch analog audio signal output, IC2426: Not used (open)
14	DIOUT_7	O	IC2401: SBL-ch analog audio signal output, IC2426: Not used (open)
15	DIOUT_6	O	IC2401: SR-ch analog audio signal output, IC2426: Not used (open)
16	DIOUT_5	O	IC2401: SL-ch analog audio signal output, IC2426: Not used (open)
17	GND	—	Ground terminal
18	IN 1/TDO	O	Not used (open)
19	DIOUT_4	O	W-ch analog audio signal output terminal
20	DIOUT_3	O	C-ch analog audio signal output terminal
21	DIOUT_2	O	R-ch analog audio signal output terminal
22	DIOUT_1	O	L-ch analog audio signal output terminal
23 to 26	I/O	I/O	Not used (open)
27	Y2/TCK	—	Not used (open)
28	VCC	—	Power supply terminal (+3.3V)
29	Y1/RESET	I	Reset signal input terminal
30	TMS	—	Not used (open)
31	DATAEN	I	Not used (connected to VCC)
32	CLKSEL	I	Not used (connected to VCC)
33	FS	I	IC2401: Not used (connected to ground), IC2426: Clock signal input
34	I/O	I/O	Not used (open)
35	DATA_1	I	IC2401: L-ch analog audio signal input, IC2426: analog audio signal input
36	DATA_2	I	IC2401:R-ch analog audio signal input, IC2426: analog audio signal input
37	DATA_3	I	IC2401: SL-ch analog audio signal input, IC2426: analog audio signal input
38	DATA_4	I	IC2401: SR-ch analog audio signal input, IC2426: analog audio signal input
39	GND	—	Ground terminal
40	GOE0	—	Not used (open)
41	DATA_5	I	IC2401: C-ch analog audio signal input, IC2426: Not used (open)
42	DATA_6	I	IC2401: W-ch analog audio signal input, IC2426: Not used (open)
43	DATA_7	I	IC2401: SBL-ch analog audio signal input, IC2426: Not used (open)
44	DATA_8	I	IC2401: SBR-ch analog audio signal input, IC2426: Not used (connected to ground)

• DIGITAL BOARD IC2301 CXD9722TQ (LIP SYNC ADJUST)

Pin No.	Pin Name	I/O	Description
1 to 5	D1 to D5	I/O	Serial data input/output terminal with the DRAM
6	VDD	—	Power supply terminal (+3.3V)
7, 8	D6, D7	I/O	Serial data input/output terminal with the DRAM
9	VSS	—	Ground terminal
10	WE	O	Write enable signal output to the DRAM
11	CAS	O	Column address strobe signal output to the DRAM
12	RAS	O	Row address strobe signal output to the DRAM
13	CS	O	Chip select signal output to the DRAM
14	CLK	O	Serial data transfer clock signal output to the DRAM
15	CEK	O	Chip enable signal output to the DRAM
16	VDD	—	Power supply terminal (+3.3V)
17, 18	A11, A10	O	Address signal output to the DRAM
19 to 22	A0 to A3	O	Address signal output to the DRAM
23	VSS	—	Ground terminal
24 to 29	A9 to A4	O	Address signal output to the DRAM
30	VSS	—	Ground terminal
31	DRSO	O	SR-ch analog audio signal output terminal
32	DLSO	O	SL-ch analog audio signal output terminal
33	DEXRO	O	Not used (open)
34	DLFEO	O	W-ch analog audio signal output terminal
35	DCO	O	C-ch analog audio signal output terminal
36	VDD	O	Power supply terminal (+3.3V)
37	DRO	O	R-ch analog audio signal output terminal
38	DLO	O	L-ch analog audio signal output terminal
39	VSS	—	Ground terminal
40	DMRO	O	SBR-ch analog audio signal output terminal
41	DMLO	O	SBL-ch analog audio signal output terminal
42	VSS	—	Ground terminal
43	VDD	—	Power supply terminal (+3.3V)
44	DLDRO	O	Audio serial data output terminal
45	CSWO	O	Audio serial data output terminal
46	SLSRO	O	Audio serial data output terminal
47	FLFRO	O	Audio serial data output terminal
48	VSS	—	Ground terminal
49	SPDIFO	O	SPDIF signal output terminal Not used
50	TEST1	I	Test mode setting terminal Not used
51	TRST	I	Reset signal input terminal for test Not used
52	TMS	I	Mode setting terminal for test Not used
53	TCK	I	Clock signal input terminal for test Not used
54	TDI	I	Serial data input terminal for test Not used
55	TDO	O	Serial data output terminal for test Not used
56	TEST2	I	Test mode setting terminal Not used
57	SPDIFI	I	SPDIF signal input terminal Not used
58	VSS	—	Ground terminal
59	LRCKI	I	L/R sampling clock signal (44.1 kHz) input from the digital signal processor

Pin No.	Pin Name	I/O	Description
60	BCKI	I	Bit clock signal (2.8224 MHz) input from the digital signal processor
61	VDD	—	Power supply terminal (+3.3V)
62	VSS	—	Ground terminal
63	DLDR1	I	Audio serial data input from the digital signal processor
64	CSWI	I	Audio serial data input from the digital signal processor
65	SLSRI	I	Audio serial data input from the digital signal processor
66	FLFRI	I	Audio serial data input from the digital signal processor
67	TEST3	I	Test mode setting terminal Not used
68	CLK512	I	Serial data transfer clock signal input terminal
69	VSS	—	Ground terminal
70	XRST	I	Reset signal input from the main system controller
71	VDD	—	Power supply terminal (+3.3V)
72	SCLK	I	Serial data transfer clock signal input from the main system controller
73	XCS	I	Chip select signal input from the main system controller
74	SI	I	Serial data input from the main system controller
75	SO	O	Serial data output to the main system controller
76	DEXRI	I	Not used (connected to ground)
77	DMLI	I	SBL-ch analog audio signal input terminal
78	DMRI	I	SBR-ch analog audio signal input terminal
79	VSS	—	Ground terminal
80	PHRI	I	Clock signal input terminal
81	BCKAI	I	Bit clock signal input from the GPR
82	DQM	O	Not used
83	DLI	I	L-ch analog audio signal input terminal
84	DRI	I	R-ch analog audio signal input terminal
85	DCI	I	C-ch analog audio signal input terminal
86	DLFEI	I	W-ch analog audio signal input terminal
87	DLSI	I	SL-ch analog audio signal input terminal
88	DRSI	I	SR-ch analog audio signal input terminal
89	VSS	—	Ground terminal
90 to 95	D15 to D10	I/O	Serial data input/output terminal with the DRAM
96	VDD	—	Power supply terminal (+3.3V)
97, 98	D9, D8	I/O	Serial data input/output terminal with the DRAM
99	VSS	—	Ground terminal
100	D0	I/O	Serial data input/output terminal with the DRAM

• DIGITAL BOARD IC2601 MB91F155-3ES-X100 (MAIN SYSTEM CONTROLLER)

Pin No.	Pin Name	I/O	Description
1	DSP CLK	O	Serial data transfer clock signal output to the digital signal processor
2	DSP HDIN	O	Serial data output to the digital signal processor
3	1BST SEL	O	Boot strap signal output to the clock select
4	1XRST	O	System reset signal output to the digital signal processor “L”: reset
5	1PM	O	PLL initialize signal output to the digital signal processor
6	1GP9	I	Read ready signal input from the digital signal processor
7	1BST	O	Boot strap signal output to the digital signal processor
8	1HCS	O	Chip select signal output to the digital signal processor
9	VSS	—	Ground terminal
10	1HDOUT	I	Serial data input from the digital signal processor
11	1HACN	I	Acknowledge signal input from the digital signal processor
12	2XRST	O	System reset signal output to the digital signal processor “L”: reset
13	2PM	O	PLL initialize signal output to the digital signal processor
14	2GP3	I	Read ready signal input from the digital signal processor
15	2BST	O	Boot strap signal output to the digital signal processor
16	2HCS	O	Chip select signal output to the digital signal processor
17	2HDOUT	I	Serial data input from the digital signal processor
18	2HACN	I	Acknowledge signal input from the digital signal processor
19	2EXLOCK	O	PLL lock error signal and data error flag output to the digital signal processor
20	DIR-XMODE	O	System reset signal output to the digital audio interface receiver “L”: reset
21	DIR-CKSEL	O	Output clock selection signal output to the digital audio interface receiver
22	DIR-CLK	O	Clock signal output to the digital audio interface receiver
23	DIR-CE	O	Chip enable signal output to the digital audio interface receiver
24	DIR-DO	I	Read data input from the digital audio interface receiver
25	DIR-DI	O	Write data output to the digital audio interface receiver
26	VSS	—	Ground terminal
27	VCC	—	Power supply terminal (+3.3V)
28	DIR-ERROR	I	PLL lock error signal and data error flag input from the digital audio interface receiver
29	DIR-DATAO	I	Audio serial data input from the digital audio interface receiver
30	DIR-XSTATE	I	Source clock selection monitor input from the digital audio interface receiver
31	TA_XCS	O	Chip select signal output to the lip sync adjust
32	TA_SO	I	Serial data input from the lip sync adjust
33	TA_XRST	O	Reset signal output to the lip sync adjust
34	ADINT1	O	Reset signal output to the A/D converter
35	ADINT2	O	Reset signal output to the sub-2 system controller
36	D595OE	O	Output enable signal output to the TC74HC595AF
37	LAT1	O	Serial data latch pulse output to the TC74HC595AF
38	LAT2	O	Serial data latch pulse output to the TC74HC595AF
39	COM1CLK	O	Common clock signal output terminal
40	COM1DATA	O	Common data output terminal
41	COM2DATA	O	Common data output terminal
42	COM2CLK	O	Common data transfer clock signal output terminal
43	V595OE	O	Output enable signal output to the TC74HC595AF
44	VSS	—	Ground terminal
45	V595LAT	O	Serial data latch pulse output to the TC74HC595A

Pin No.	Pin Name	I/O	Description
46	FUNCLAT	O	Serial data latch pulse output to the TC74HCT7007AF
47	D.MIXLAT	O	Serial data latch pulse output to the TC74HCT7007AF
48	VDLLAT	O	Serial data latch pulse output to the TC74HCT7007AF
49	UPCONLAT	O	Serial data latch pulse output terminal Not used
50	MBUS-STS0	I	M-BUS status input from the sub system controller
51	A1OUT	O	Sircs signal output for the CTRL A1 II
52	MD2	I	Setting terminal for the CPU operational mode
53	MD1	I	Setting terminal for the CPU operational mode
54	MD0	I	Setting terminal for the CPU operational mode
55	RSTX	I	External reset signal input terminal
56	VCC	—	Power supply terminal (+3.3V)
57	X1	I	Main system clock input terminal (16.5 MHz)
58	X0	O	Main system clock output terminal (16.5 MHz)
59	VSS	—	Ground terminal
60	AIIN	I	Sircs signal input for the CTRL A1 II
61	SIRCS IN	I	SIRCS signal input terminal
62	POWER SW	I	Power switch input terminal
63	RDSCLK	I	RDS serial data transfer clock signal input from the tuner unit
64	MBUS-STS1	I	Strobe control signal input from the sub system controller
65	MBUS-STS2	I	M-BUS status input from the sub system controller
66	MBUS-STS3	I	M-BUS status input from the sub system controller
67	MBUS-STS4	I	M-BUS status input from the sub system controller
68	VCC	—	Power supply terminal (+3.3V)
69	RST TRG	O	Reset signal output to the terminal
70	END FLAG	O	End flag output to the sub system controller
71	A1-LAT	O	Serial data latch pulse output to the sub system controller
72	TUNLAT	O	Serial data latch pulse output to the tuner unit
73	TUNED	I	Tuning detection signal input from the tuner unit
74	STEREO	I	FM stereo detection signal input from the tuner unit
75	TUNDO	I	Serial data input from the tuner unit
76	PREOUT-RY	O	Relay drive signal output terminal Not used
77	VCC	—	Power supply terminal (+3.3V)
78	STOP	I	AC off detection signal input terminal
79	POWRY	O	Relay drive signal output terminal (for main power) “H”: relay on
80	P.CHANGE	O	Tuner auto stop signal output terminal
81	RDSDATA	I	RDS serial data input from the tuner unit
82	PREVOL-LAT	O	Serial data latch pulse output terminal Not used
83	AD/SUB-RST	O	Reset signal output to the sub-2 system controller “L”: rese
84	S-MUTE	O	Muting on/off control signal output terminal
85	SUB-U CONTROL	O	Clock signal output to the sub-2 system controller
86	SUB-U INFO2	I	Serial data input from the sub-2 system controller
87	SUB-U INFO1	O	Serial data output to the sub-2 system controller
88	FUNCJOG1	I	Jog dial pulse input from the rotary encoder (for INPUT SELECTOR)
89	FUNCJOG2	I	Jog dial pulse input from the rotary encoder (for INPUT SELECTOR)
90	VOLJOG1	I	Jog dial pulse input from the rotary encoder (for MASTER VOLUME)

Pin No.	Pin Name	I/O	Description
91	VOLJOG2	I	Jog dial pulse input from the rotary encoder (for MASTER VOLUME)
92	BASSJOG1	I	Jog dial pulse input from the rotary encoder (for BASS)
93	BASSJOG2	I	Jog dial pulse input from the rotary encoder (for BASS)
94	OSDLAT	O	Serial data latch pulse output to the OSD
95	FLLAT	O	Serial data latch pulse output to the fluorescent display tube
96	FLCLR	O	Clear signal output to the fluorescent display tube
97	VCC	—	Power supply terminal (+3.3V)
98	VSS	—	Ground terminal
99	SDA	I/O	Two-way data bus with the EEPROM
100	SCL	O	Serial data transfer clock signal output to the EEPROM
101	VSS	—	Ground terminal
102	OSD-CLK	O	Serial data transfer clock signal output to the OSD
103	OSD-DAT	O	Serial data output to the OSD
104	OSD-VSINC	I	Not used
105	TREJOG1	I	Jog dial pulse input from the rotary encoder (for TREBLE)
106	TREJOG2	I	Jog dial pulse input from the rotary encoder (for TREBLE)
107	IICDATA	I/O	IIC two-way data bus with the chroma decoder
108	IICCLK	O	IIC bus clock signal output to the chroma decoder
109	SOT1	O	Serial data output to the RS-232C
110	SIN1	I	Serial data input from the RS-232C
111	FLCLK	O	Serial data transfer clock signal output to the fluorescent display tube
112	FLDATA	O	Serial data output to the fluorescent display tube
113	DAC-LAT	O	Serial data latch pulse signal output to the D/A converter Not used
114	DAC-RST	O	Reset signal output to the D/A converter "H": reset Not used
115	DAC-DATA (UCOM-IN)	I	Serial data input from the D/A converter Not used
116	SP-A	I	Speaker switch input terminal
117	SP-B	I	Speaker switch input terminal
118	MENU JOG1	I	Jog dial pulse input from the rotary encoder (for MENU)
119	MENU JOG2	I	Jog dial pulse input from the rotary encoder (for MENU)
120	PAGE JOG1	I	Jog dial pulse input from the rotary encoder (for MAIN MENU)
121	PAGE JOG2	I	Jog dial pulse input from the rotary encoder (for MAIN MENU)
122	VCC	—	Power supply terminal (+3.3V)
123	LED LAT	O	Serial data latch pulse output to the data decoder/LED driver
124	LED CLR	O	Serial data transfer clock signal output to the data decoder/LED driver
125	PCMSEL	O	Output clock selection signal output to the D-OUT switch
126	DAVS (VSS)	—	Ground terminal (for digital)
127	DAVC (VCC)	—	Power supply terminal (+3.3V) (for digital)
128	AVCC (VCC)	—	Power supply terminal (+3.3V) (for analog)
129	AVRH (VCC)	—	Reference voltage (+3.3V) input terminal (for analog)
130	AVRL (VSS)	—	Ground terminal (for analog)
131	AVSS (VSS)	—	Ground terminal (for analog)
132	AD1	I	Key function A/D input
133	AD2	I	Key function A/D input
134	AD3	I	Key function A/D input
135	VERSION	I	Version set terminal

STR-DA5000ES

Pin No.	Pin Name	I/O	Description
136	RDSSIGNAL	I	RDS signal input from the tuner unit
137	HP-SW	I	Headphone detection signal input terminal "H": headphone is connected
138	+/-JOG1	I	Jog dial pulse input from the rotary encoder (for +/-)
139	+/-JOG2	I	Jog dial pulse input from the rotary encoder (for +/-)
140	VCC2	—	Power supply terminal (+3.3V)
141	BACUP	I	Connected to VCC
142	X0A	O	Not used (Connected to ground)
143	X1A	I	Not used (open)
144	VSS	—	Ground terminal

• DIGITAL BOARD IC2701 TMP87C447U-1F23 (SUB SYSTEM CONTROLLER)

Pin No.	Pin Name	I/O	Description
1	STAT0	O	M-BUS status output to the main system controller
2	CARRIER-OUT	O	SIRCS signal on/off signal output terminal
3	FLASH	—	Not used (Connected to VDD)
4	MBUS	—	Not used (Connected to VDD)
5	CTRL-LATCH	I	Serial data latch pulse input from the main system controller
6, 7	—	—	Not used (open)
8	SIRSTS	—	Not used (Connected to VDD)
9	—	—	Not used (open)
10	SIRCS-INPUT	I	SIRCS signal input terminal
11	A1-OUT	O	Sircs signal output for CONTROL A1 II
12	A1-IN	I	Sircs signal input for CONTROL A1 II
13	GND	—	Ground terminal
14	RESET	I	System reset signal input from the reset signal generator “L”: reset
15	XIN	I	Main system clock input terminal (7.28 MHz)
16	XOUT	O	Main system clock output terminal (7.28 MHz)
17	GND	—	Ground terminal
18	VDD	—	Power supply terminal (+5V)
19	RESETC	O	Reset signal output to the main system controller
20	RESETN	O	Not used (open)
21	OUTH1	O	Not used (open)
22	OUTLO1	O	Not used (open)
23	OUTH2	O	Model destination signal output terminal
24	OUTLO2	O	Model destination signal output terminal
25	ENDFLG	I	End flag input from the main system controller
26	UARTIN	I	Serial data input from the RS-232C
27 to 32	—	—	Not used (open)
33	SIRCS-OUT	O	SIRCS signal output terminal
34 to 36	—	—	Not used (open)
37	MBUS_TV	—	Not used (Connected to ground)
38	MBUS_V2	—	Not used (Connected to ground)
39	MBUS_V1	—	Not used (Connected to ground)
40	VDD	—	Power supply terminal (+5V)
41	STAT4	O	M-BUS status output to the main system controller
42	STAT3	O	M-BUS status output to the main system controller
43	STAT2	O	M-BUS status output to the main system controller
44	STAT1	O	M-BUS status output to the main system controller

• D-AMP BOARD IC1800 B89F538L (SUB SYSTEM CONTROLLER)

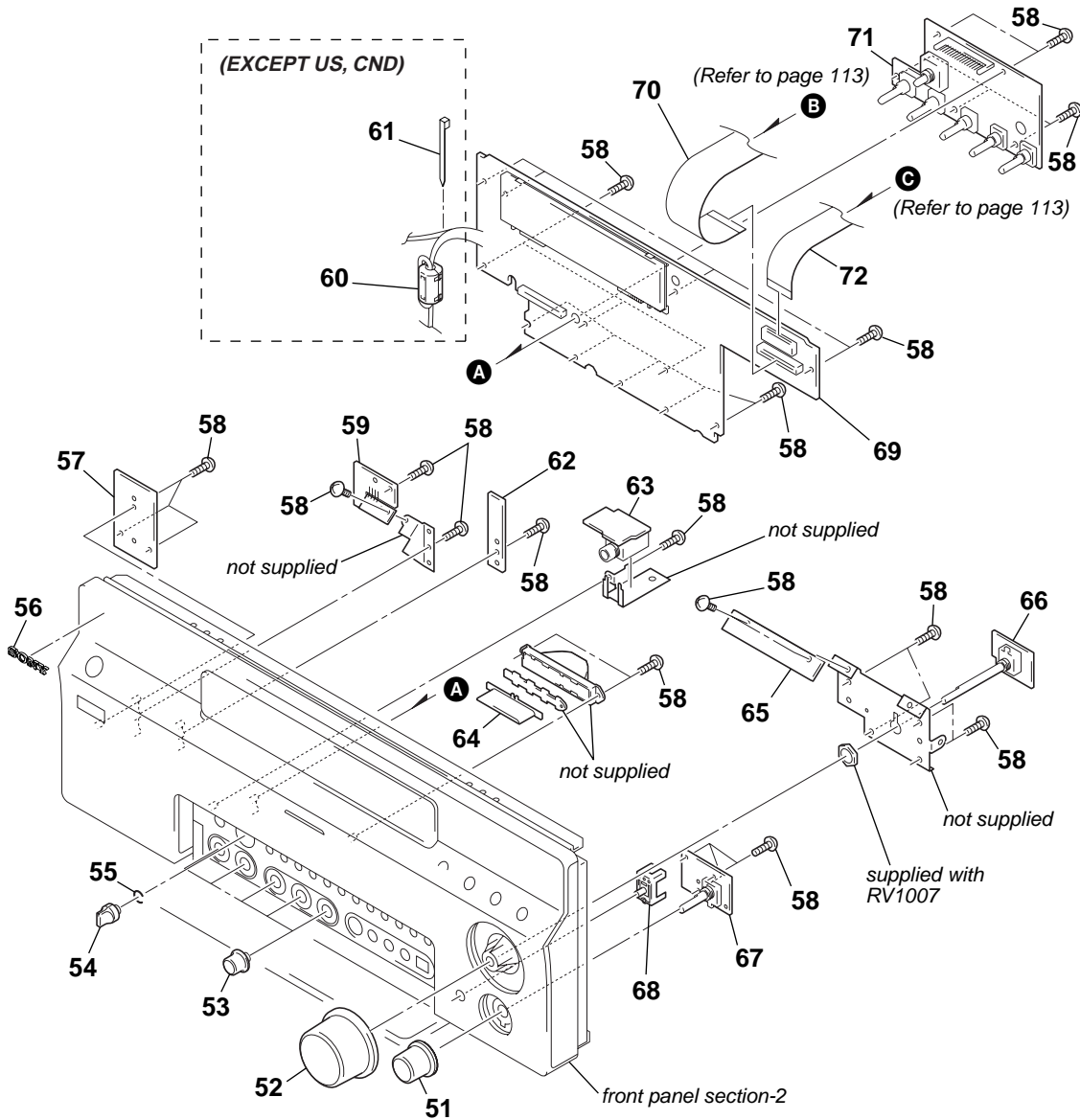
Pin No.	Pin Name	I/O	Description
1	I LIMIT	I	Current detection
2	MOD2	I	Not used (connected to ground)
3	TEMP	I	Thermistor connection terminal for temperature detection (A/D input)
4 to 10	—	—	Not used (open)
11	AVCC	—	Power supply terminal (+3.3V) (for analog)
12	AVR	I	Reference voltage (+3.3V) input terminal
13	AVSS	—	Ground terminal (for analog)
14	U-MAIN	I	Clock signal input from main system controller
15	AC-OFF	I	Power down detection signal input terminal “L”: power down
16	+B	I	+ B power supply unusual detection
17, 18	—	I	Not used (open)
19	RST	I	Reset signal input from the main system controller
20	MOD0	I	Setting terminal for a memory access mode
21	MOD1	I	Setting terminal for a memory access mode
22	X0	O	External crystal terminal (8 MHz)
23	X1	I	External crystal terminal (8 MHz)
24	VSS	—	Ground terminal
25	VOL-CLK	O	Serial data transfer clock signal output to the data decoder
26	VOL-DATA	O	Serial data output to the data decoder
27	VOL-LAT	O	Serial data latch pulse output to the data decoder
28	DAC-MUTE	O	Muting on/off control signal output terminal
29	(P23)	I	Not used (connected to ground)
30	(P22)	I	Not used (connected to VDD)
31	4I-LIMIT	I	Not used
32	DC	I	DC offset detection
33	—	I	Not used (open)
34	4/8OUT	O	Not used (open)
35	DIAG	I	HIC temperature unusual detection
36	EN	O	Enable/Disable control of HIC
37	MODE1	O	Mode signal output to PCM/PWM processor
38	INIT	O	Initialize signal output to the PCM/PWM processor
39	NSP-MUTE	O	Muting on/off control signal output terminal
40	(P10)	—	Not used (connected to ground)
41	—	O	Not used (open)
42	U-SUB1	I	Serial data signal input from main system controller
43	LAT4	O	Serial data latch pulse output to the PCM/PWM processor
44	LAT3	O	Serial data latch pulse output to the PCM/PWM processor
45	LAT2	O	Serial data latch pulse output to the PCM/PWM processor
46	LAT1	O	Serial data latch pulse output to the PCM/PWM processor
47	F-B RY	O	Relay drive signal output terminal
48	SR-A RY	O	Not used (open)
49	NC	—	Not used (open)
50	RY	O	Relay drive signal output terminal
51	SHIFT	O	Serial data transfer clock signal output to the PCM/PWM processor
52	/SO1 SCDT	O	Serial data output to the PCM/PWM processor

Pin No.	Pin Name	I/O	Description
53	/SI1 SR-B	O	Relay drive signal output terminal Not used
54	C RY	O	Not used (open)
55	SB RY	O	Not used (open)
56	VCC	—	Power supply terminal (+3.3V)
57	SP RY	O	Relay drive signal output terminal Not used (open)
58	HP RY	O	Relay drive signal output terminal (for headphone)
59	—	I	Not used (open)
60	U-SUB2	O	Serial data signal output to main system controller
61	—	I	Not used (open)
62	FORMAT	I	Not used (connected to VDD)
63	HENCYO	I	Not used (connected to VDD)
64	MUTE	I	Muting on/off control signal output terminal Not used (open)

• VIDEO BOARD IC3501 MB90089F-G-238-BND (OSD DRIVER)

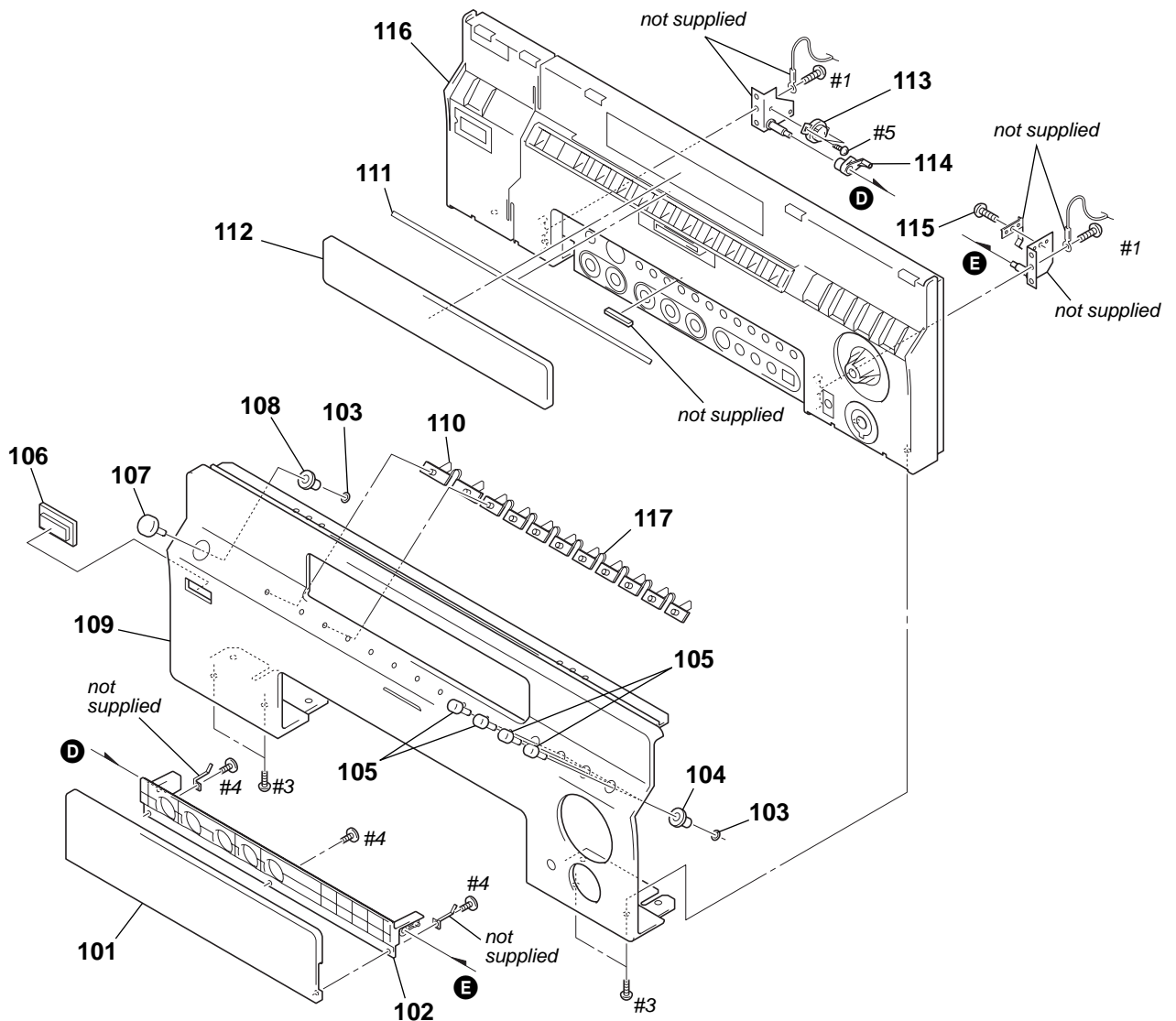
Pin No.	Pin Name	I/O	Description
1	YIN	I	Y (luminance) signal input Not used
2	CIN	I	C (color) signal input Not used
3	VIN	I	Composite video signal input Not used
4	AVCC	—	Power supply terminal (+5V) (for analog)
5	FSCO	O	Internal color burst phase display signal output terminal Not used
6	VBLK	O	Vertical blanking period signal output terminal Not used
7	VCC	—	Power supply terminal (+5V)
8	EXS	I	Input terminal from the clock generator for external color burst connected to crystal vibrator (NTSC: 14.31818MHz, PAL: 17.734475MHz)
9	XS	O	Output terminal from the clock generator for external color burst connected to crystal vibrator (NTSC: 14.31818MHz, PAL: 17.734475MHz) Not used
10	HSYNC	O	Horizontal sync signal output terminal Not used
11	VSYNC	O	Vertical sync signal output terminal Not used
12	EXHSYN	I	External horizontal sync signal input terminal Not used
13	EXVSYN	I	External vertical sync signal input terminal Not used
14	VSS	—	Ground terminal
15	EXD	I	Dot clock generator connecting terminal for display
16	XD	O	Dot clock generator connecting terminal for display
17	VOB	O	Character and background period signal output terminal Not used
18 to 20	VOC2 to VOC0	O	Color signal output terminal Not used
21	TEST	I	Setting terminal for the test “L”: test (normally: fixed at “H”)
22	SCLK	I	Serial data transfer clock signal input from the main system controller
23	SIN	I	Serial data input from the main system controller
24	CS	I	Serial data latch pulse signal input from the main system controller
25	VOUT	O	Composite video signal output
26	COUT	O	C (color) signal output
27	YOUT	O	Y (luminance) signal output
28	AVSS	—	Ground terminal (for analog)

7-2. FRONT PANEL SECTION-1



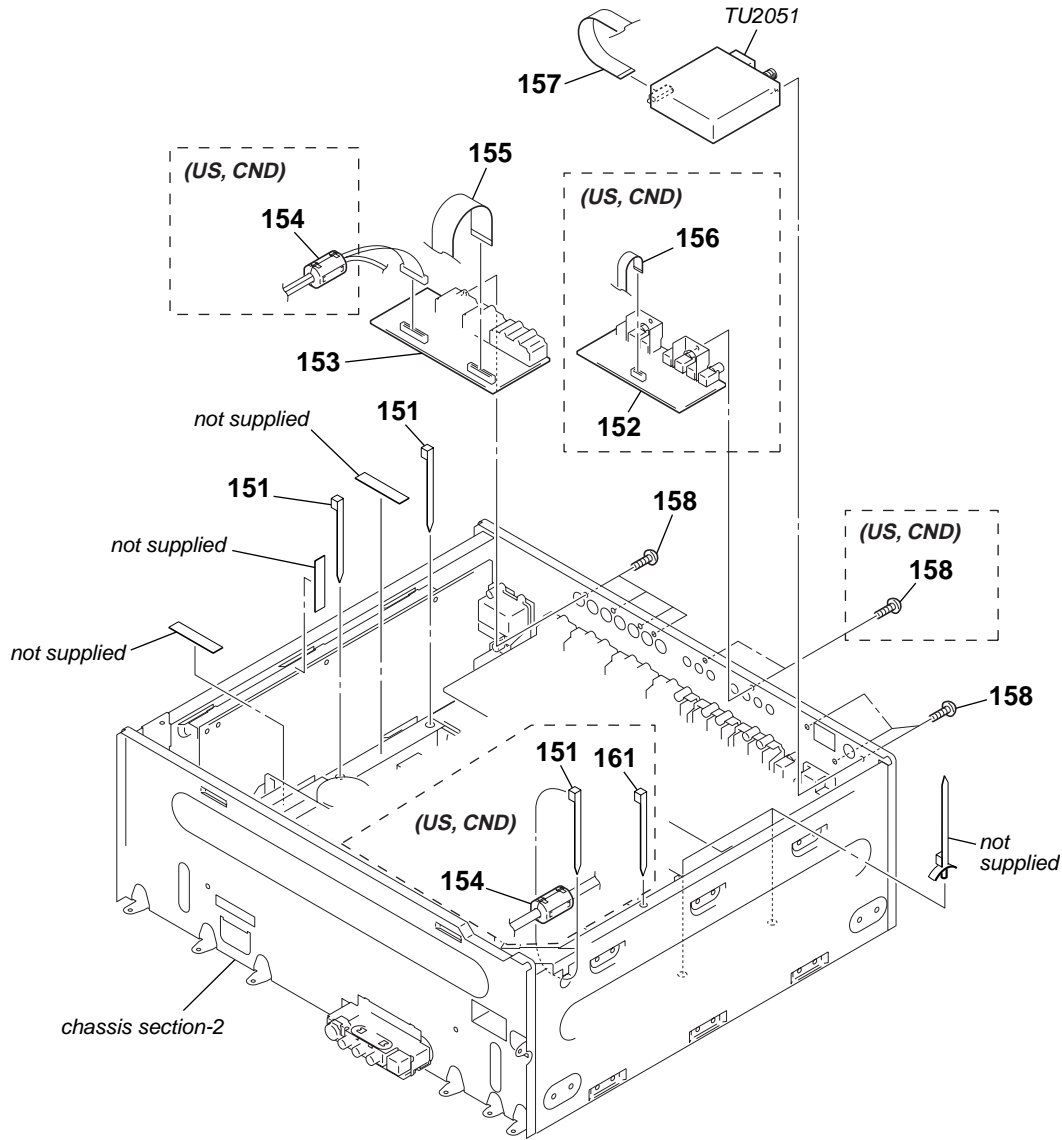
Ref. No.	Part No.	Description	Remark	Ref. No.	Part No.	Description	Remark
51	X-4955-651-1	KNOB (SEL) ASSY (SILVER)		60	1-500-249-21	BEAD, FERRITE (CASE) (EXCEPT US, CND)	
51	X-4955-655-1	KNOB (SEL) ASSY (GOLD)		61	3-655-653-21	BAND (TAITON), BINDING (EXCEPT US, CND)	
51	X-4955-656-1	KNOB (SEL) ASSY (BLACK)		62	1-688-731-11	LED BOARD	
52	X-4955-650-1	KNOB (VOL) ASSY (SILVER)		63	1-688-723-11	HP BOARD	
52	X-4955-654-1	KNOB (VOL) ASSY (GOLD)		64	4-246-109-01	INDICATOR (C)	
52	X-4955-657-1	KNOB (VOL) ASSY (BLACK)		65	1-688-729-11	KEY BOARD	
53	4-246-104-01	KNOB (MENU) (SILVER)		66	1-688-727-11	VOL BOARD	
53	4-246-104-11	KNOB (MENU) (GOLD)		67	1-688-726-11	FUNCTION BOARD	
53	4-246-104-21	KNOB (MENU) (BLACK)		68	4-246-118-01	BUTTON (INPUT) (SILVER)	
54	4-246-103-02	KNOB (SPEAKER) (SILVER)		68	4-246-118-11	BUTTON (INPUT) (GOLD)	
54	4-246-103-12	KNOB (SPEAKER) (GOLD)		68	4-246-118-21	BUTTON (INPUT) (BLACK)	
54	4-246-103-22	KNOB (SPEAKER) (BLACK)		69	A-4733-990-A	FL BOARD, COMPLETE (EXCEPT AEP: BLACK)	
55	3-354-981-01	SPRING (SUS), RING		69	A-4734-079-A	FL BOARD, COMPLETE (AEP: BLACK)	
56	4-942-568-41	EMBLEM (NO.5), SONY (for BLACK)		70	1-827-364-11	WIRE (FLAT TYPE) (23 CORE)	
57	A-4733-995-A	POWER SW BOARD, COMPLETE		71	1-688-724-11	JOG BOARD	
58	4-951-620-01	SCREW (2.6X8), +BVTP		72	1-773-045-11	WIRE (FLAT TYPE) (17 CORE)	
59	1-860-316-11	POWER SW SUB BOARD					

7-3. FRONT PANEL SECTION-2



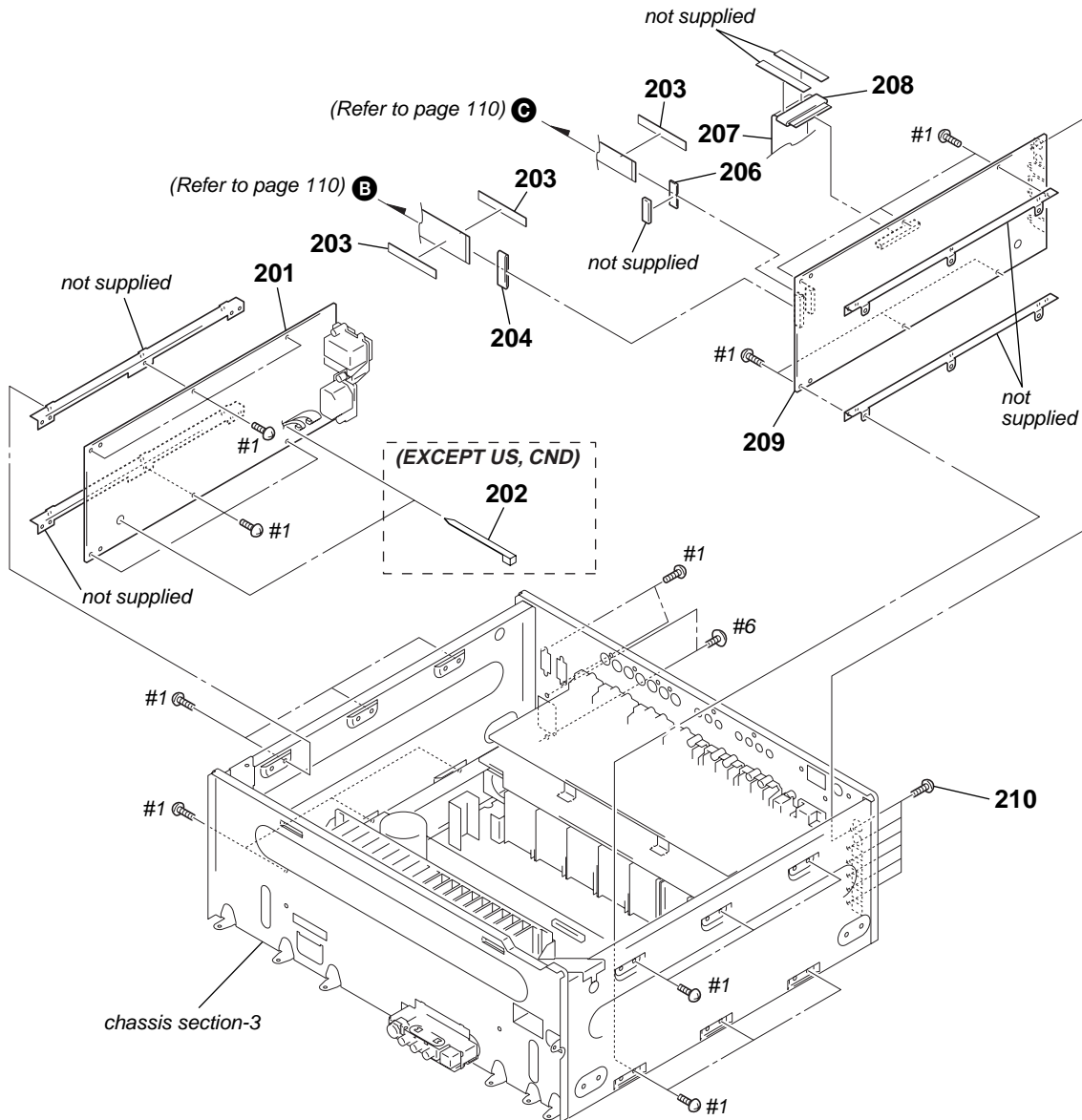
Ref. No.	Part No.	Description	Remark	Ref. No.	Part No.	Description	Remark
101	4-246-526-02	LID (SILVER)		109	4-246-509-21	PANEL, FRONT (BLACK)	
101	4-246-526-11	LID (GOLD)		109	4-246-509-81	PANEL, FRONT (GOLD: TW, CH)	
101	4-246-526-21	LID (BLACK)		110	4-246-107-01	INDICATOR (A)	
102	X-4955-632-1	ESCUTCHEON (LID) ASSY (SILVER)		111	4-249-861-01	PLATE, LIGHT INTERCEPTION	
102	X-4955-633-1	ESCUTCHEON (LID) ASSY (GOLD)		112	4-246-538-01	PLATE, INDICATION (for GOLD, SILVER)	
102	X-4955-634-1	ESCUTCHEON (LID) ASSY (BLACK)		112	4-246-538-11	PLATE, INDICATION (for BLACK)	
103	3-325-697-01	WASHER		113	4-240-391-01	DAMPER, OIL	
104	X-4955-653-1	ESCUTCHEON (DIA. 7) ASSY		114	4-246-743-01	GEAR (DAMPER)	
105	4-246-100-03	BUTTON (DIA. 7) (SILVER)		115	4-951-620-01	SCREW (2.6X8), +BVTP	
105	4-246-100-13	BUTTON (DIA. 7) (GOLD)		116	X-4955-639-2	BASE ASSY, PANEL (SILVER)	
105	4-246-100-23	BUTTON (DIA. 7) (BLACK)		116	X-4955-640-2	BASE ASSY, PANEL (GOLD)	
106	4-246-102-02	WINDOW (REMOTECONTROL)		116	X-4955-641-2	BASE ASSY, PANEL (BLACK)	
107	4-246-121-03	BUTTON (POWER) (SILVER)		117	4-246-108-01	INDICATOR (B)	
107	4-246-121-13	BUTTON (POWER) (GOLD)		#1	7-685-646-79	SCREW +BVTP 3X8 TYPE2 IT-3	
107	4-246-121-23	BUTTON (POWER) (BLACK)		#3	7-685-536-19	SCREW +BTP 2.6X12 TYPE2 N-S	
108	X-4955-652-1	ESCUTCHEON (POWER) ASSY		#4	7-621-770-87	SCREW +B 2.6X5 (for GOLD, SILVER)	
109	4-246-509-01	PANEL, FRONT (SILVER)		#4	7-621-775-20	SCREW +B 2.6X5 (for BLACK)	
109	4-246-509-11	PANEL, FRONT (GOLD: AEP)		#5	7-685-853-04	SCREW +BVTT 2X6 (S)	

7-4. CHASSIS SECTION-1



Ref. No.	Part No.	Description	Remark	Ref. No.	Part No.	Description	Remark
151	3-655-653-11	BAND (TAITON), BINDING		157	1-773-007-11	WIRE (FLAT TYPE) (15 CORE) (AEP)	
152	A-4734-006-A	CIS BOARD, COMPLETE (US, CND)		158	4-974-510-11	SCREW (+BV 3X8 CU)	
153	A-4734-010-A	S-VIDEO BOARD, COMPLETE		161	3-655-653-21	BAND (TAITON), BINDING	
154	1-469-969-11	CLAMP, FERRITE (US, CND)		TU2051	1-693-577-21	TUNER (US, CND)	
155	1-773-036-11	WIRE (FLAT TYPE) (17 CORE)		TU2051	1-693-578-21	TUNER (AEP)	
156	1-769-878-11	WIRE (FLAT TYPE) (7 CORE) (US, CND)		TU2051	1-693-580-23	TUNER (TW, CH)	
157	1-769-943-11	WIRE (FLAT TYPE) (11 CORE) (EXCEPT AEP)					

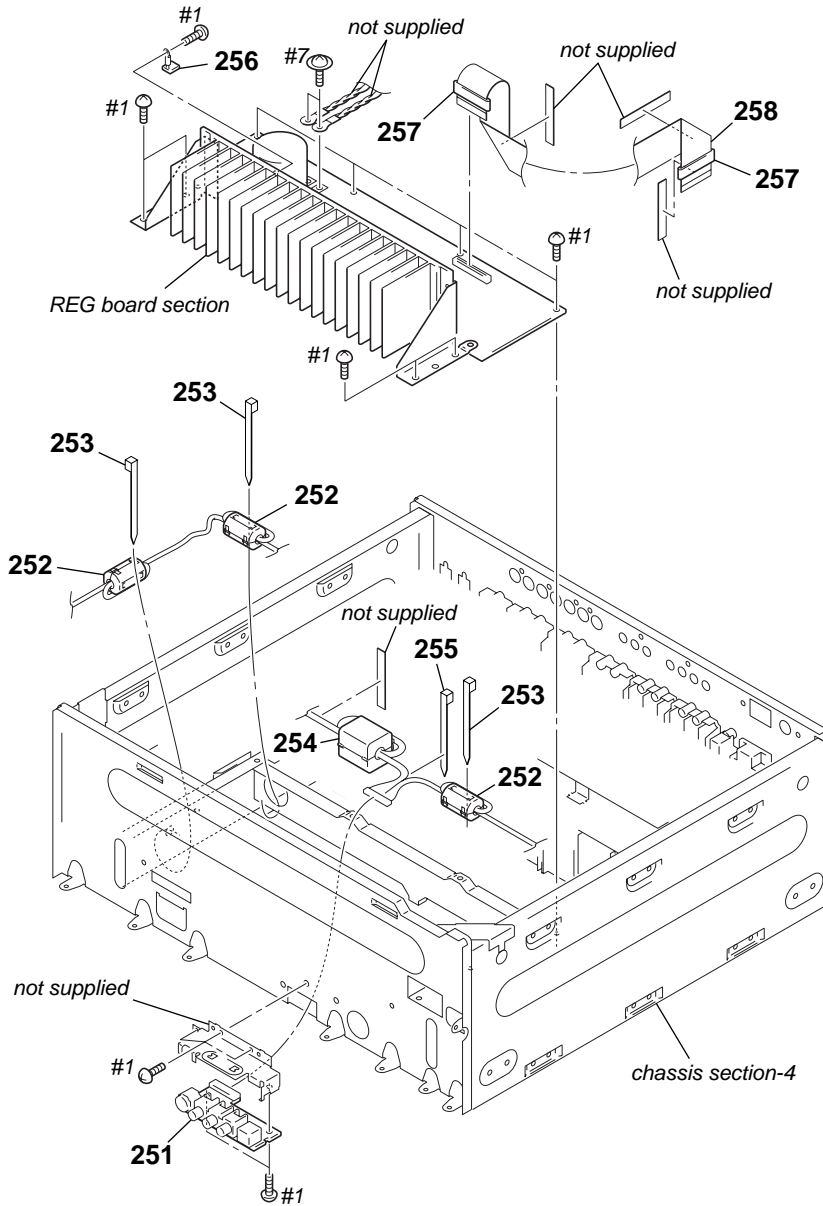
7-5. CHASSIS SECTION-2



<p>The components identified by mark \triangle or dotted line with mark \triangle are critical for safety. Replace only with part number specified.</p>	<p>Les composants identifiés par une marque \triangle sont critiques pour la sécurité. Ne les remplacer que par une pièce portant le numéro spécifié.</p>	<p>以阴影和 \triangle 标志来识别的零部件，在安全方面具有关键性。因此只能以规定号码的零部件来更换。</p>
---	--	---

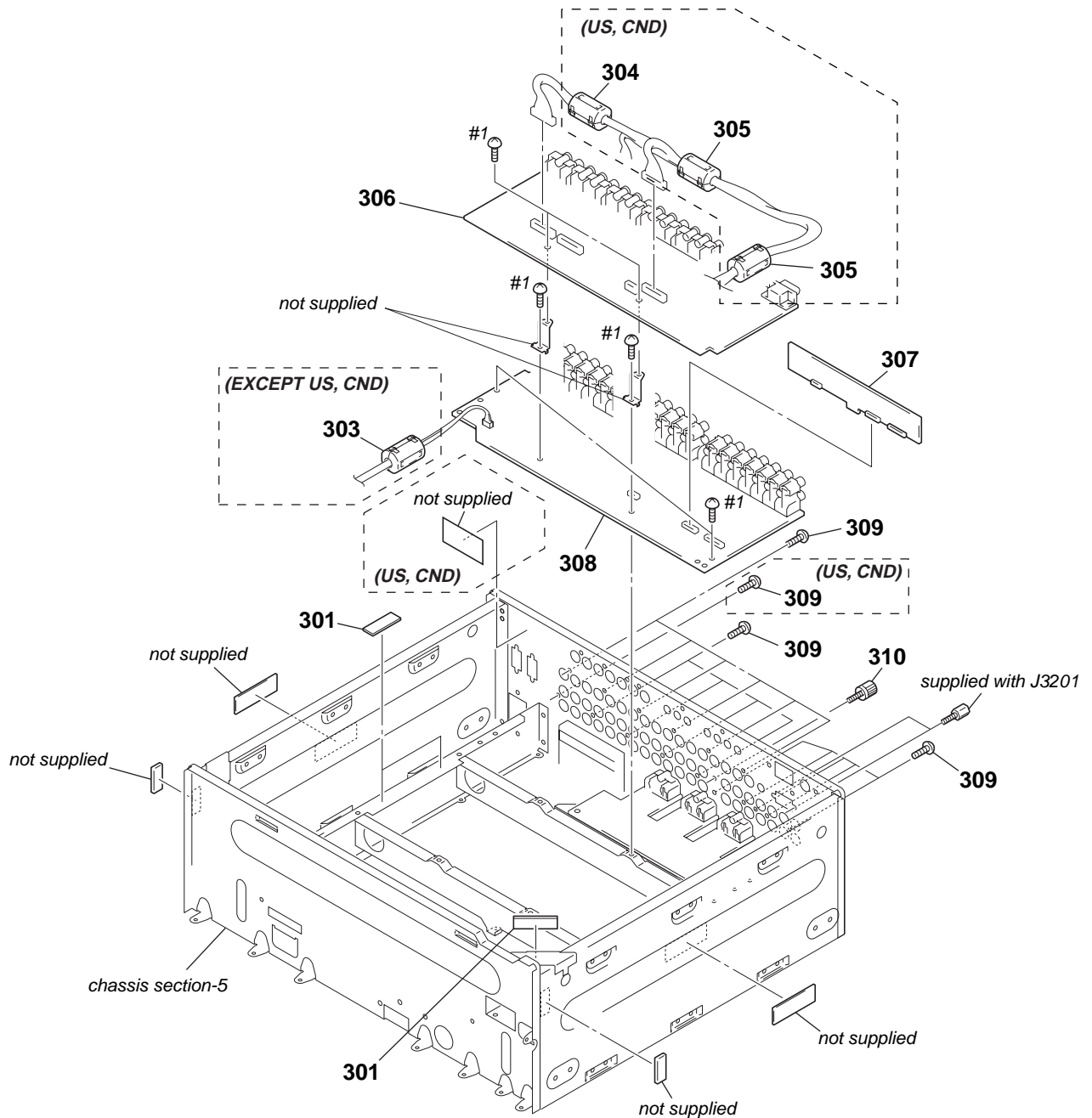
Ref. No.	Part No.	Description	Remark	Ref. No.	Part No.	Description	Remark
\triangle 201	1-468-779-11	REGULATOR, SWITCHING (US, CND, TW)		208	1-400-583-11	CORE, FERRITE	
\triangle 201	1-468-780-11	REGULATOR, SWITCHING (AEP)		209	A-4734-015-A	DIGITAL BOARD, COMPLETE (US, CND)	
\triangle 201	1-468-781-11	REGULATOR, SWITCHING (CH)		209	A-4734-073-A	DIGITAL BOARD, COMPLETE (TW, CH)	
202	3-655-653-21	BAND (TAITON), BINDING (EXCEPT US, CND)		209	A-4734-091-A	DIGITAL BOARD, COMPLETE (AEP)	
203	4-860-518-00	CUSHION		210	4-974-510-11	SCREW (+BV 3X8 CU)	
204	1-500-472-11	CORE, FERRITE		#1	7-685-646-79	SCREW +BVTP 3X8 TYPE2 IT-3	
* 206	1-500-169-11	CORE (FPC)		#6	7-685-659-79	SCREW +BVTP 4X8 TYPE2 IT-3	
207	1-773-390-11	WIRE (FLAT TYPE) (35 CORE)					

7-6. CHASSIS SECTION-3



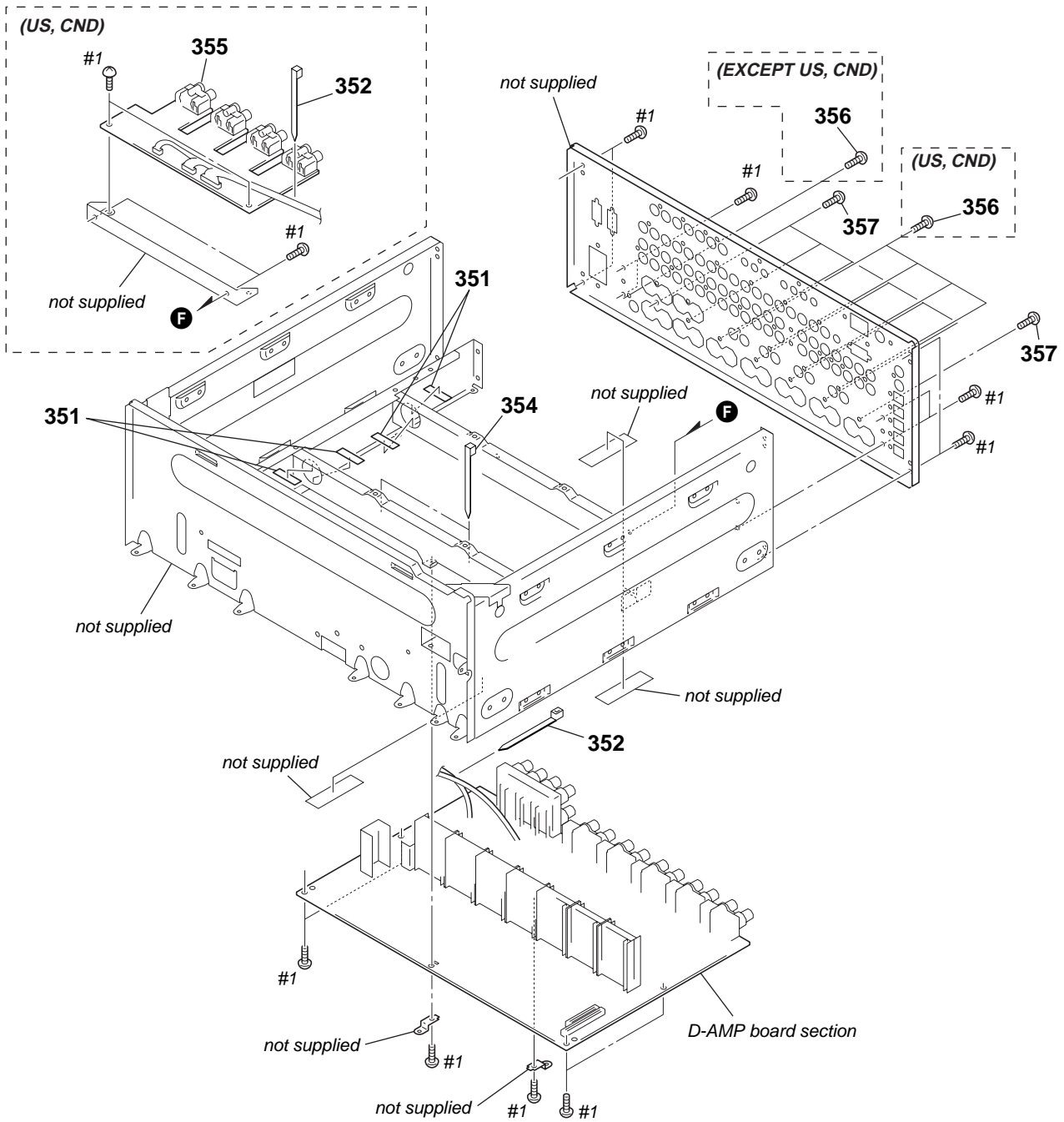
Ref. No.	Part No.	Description	Remark	Ref. No.	Part No.	Description	Remark
251	A-4733-994-A	VIDEO3 BOARD, COMPLETE		256	1-688-732-11	THERMISTOR BOARD	
252	1-469-969-11	CLAMP, FERRITE		257	1-469-854-11	CORE, FERRITE	
253	3-655-653-11	BAND (TAITON), BINDING		258	1-773-221-11	WIRE (FLAT TYPE) (25 CORE)	
254	1-500-037-11	CORE, FERRITE (WITH CASE)		#1	7-685-646-79	SCREW +BVTP 3X8 TYPE2 IT-3	
255	3-655-653-21	BAND (TAITON), BINDING		#7	7-682-948-01	SCREW +PSW 3X8	

7-7. CHASSIS SECTION-4



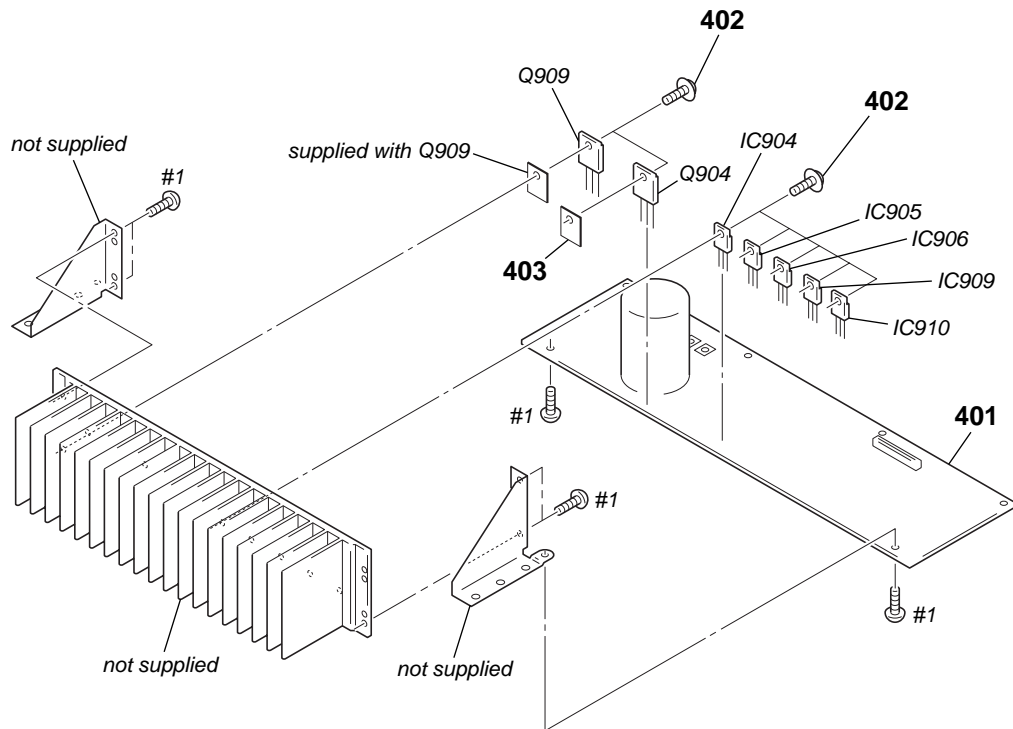
Ref. No.	Part No.	Description	Remark	Ref. No.	Part No.	Description	Remark
301	4-860-518-00	CUSHION		307	A-4749-881-A	ANALOG SUB BOARD, COMPLETE	(EXCEPT US, CND)
303	1-500-753-11	CLAMP, FERRITE (EXCEPT US, CND)		308	A-4734-001A	AUDIO BOARD, COMPLETE (US, CND)	
304	1-469-969-11	CLAMP, FERRITE (US, CND)		308	A-4734-086-A	AUDIO BOARD, COMPLETE (EXCEPT US, CND)	
305	1-400-061-11	CORE, FERRITE (CLAMP FILTER) (US, CND)		309	4-974-510-11	SCREW (+BV 3X8 CU)	
306	A-4734-003-A	VIDEO BOARD, COMPLETE (US, CND)		310	4-947-010-01	SCREW, FEEDER FIXED	
306	A-4734-070-A	VIDEO BOARD, COMPLETE (TW)		#1	7-685-646-79	SCREW +BVTP 3X8 TYPE2 IT-3	
306	A-4734-084-A	VIDEO BOARD, COMPLETE (AEP, CH)					
307	A-4749-877-A	ANALOG SUB BOARD, COMPLETE (US, CND)					

7-8. CHASSIS SECTION-5



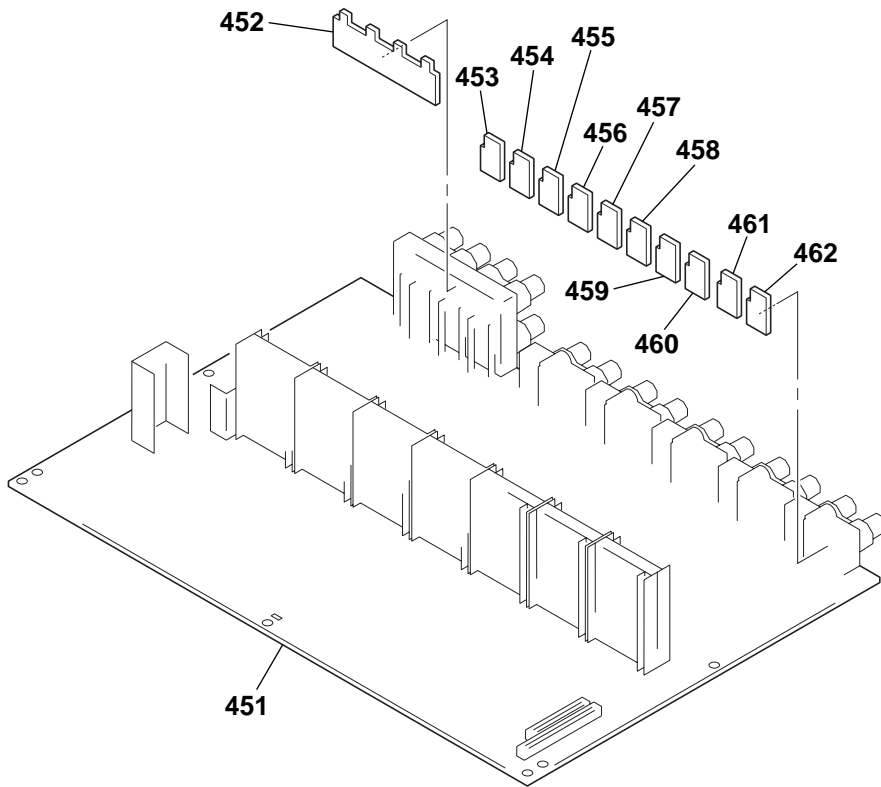
Ref. No.	Part No.	Description	Remark	Ref. No.	Part No.	Description	Remark
351	4-860-518-00	CUSHION		356	4-974-510-11	SCREW (+BV 3X8 CU)	
352	3-655-653-21	BAND (TAITON), BINDING		357	3-704-515-51	SCREW (BV/RING)	
354	3-655-653-11	BAND (TAITON), BINDING		#1	7-685-646-79	SCREW +BVTP 3X8 TYPE2 IT-3	
355	A-4734-012-A	PRE-OUT BOARD, COMPLETE (US, CND)					

7-9. REG BOARD SECTION



Ref. No.	Part No.	Description	Remark	Ref. No.	Part No.	Description	Remark
401	A-4734-008-A	REG BOARD, COMPLETE (US, CND)		IC906	8-759-245-79	IC TA79005S	
401	A-4734-088-A	REG BOARD, COMPLETE (EXCEPT US, CND)		IC909	8-759-445-59	IC BA033T	
402	3-905-609-11	SCREW (TRANSISTOR)		IC910	8-759-231-53	IC TA7805S	
403	4-383-023-01	SHEET, MICA		Q904	6-550-625-01	TRANSISTOR 2SK1381	
IC904	8-759-231-53	IC TA7805S		Q909	6-702-390-01	IC MN2488-OPY-MK	
IC905	8-759-394-36	IC BA09T		#1	7-685-646-79	SCREW +BVTP 3X8 TYPE2 IT-3	

7-10. D-AMP BOARD SECTION



<u>Ref. No.</u>	<u>Part No.</u>	<u>Description</u>	<u>Remark</u>	<u>Ref. No.</u>	<u>Part No.</u>	<u>Description</u>	<u>Remark</u>
451	A-4734-017-A	D-AMP BOARD, COMPLETE (US, CND)		456	1-860-494-11	SP TM (E) BOARD	
451	A-4734-075-A	D-AMP BOARD, COMPLETE (TW, CH)		457	1-860-495-11	SP TM (F) BOARD	
451	A-4734-093-A	D-AMP BOARD, COMPLETE (AEP)		458	1-860-496-11	SP TM (G) BOARD	
452	1-860-490-11	SP TM (A) BOARD		459	1-860-497-11	SP TM (H) BOARD	
453	1-860-491-11	SP TM (B) BOARD		460	1-860-498-11	SP TM (I) BOARD	
454	1-860-492-11	SP TM (C) BOARD		461	1-860-499-11	SP TM (J) BOARD	
455	1-860-493-11	SP TM (D) BOARD		462	1-860-500-11	SP TM (K) BOARD	

STR-DA5000ES

ANALOG SUB

AUDIO

Ref. No.	Part No.	Description	Remark
R120	1-216-675-11	METAL CHIP 1K	0.5% 1/10W
R141	1-216-619-11	METAL CHIP 47	0.5% 1/10W
R142	1-216-675-11	METAL CHIP 1K	0.5% 1/10W
R143	1-216-675-11	METAL CHIP 1K	0.5% 1/10W
R144	1-216-619-11	METAL CHIP 47	0.5% 1/10W
R145	1-216-670-11	METAL CHIP 6.2K	0.5% 1/10W
R146	1-216-683-11	METAL CHIP 22K	0.5% 1/10W
R149	1-216-675-11	METAL CHIP 1K	0.5% 1/10W
R150	1-216-675-11	METAL CHIP 1K	0.5% 1/10W
R161	1-216-619-11	METAL CHIP 47	0.5% 1/10W
R162	1-216-675-11	METAL CHIP 1K	0.5% 1/10W
R163	1-216-675-11	METAL CHIP 1K	0.5% 1/10W
R164	1-216-619-11	METAL CHIP 47	0.5% 1/10W
R165	1-216-670-11	METAL CHIP 6.2K	0.5% 1/10W
R166	1-216-683-11	METAL CHIP 22K	0.5% 1/10W
R169	1-216-675-11	METAL CHIP 1K	0.5% 1/10W
R170	1-216-675-11	METAL CHIP 1K	0.5% 1/10W
R181	1-216-619-11	METAL CHIP 47	0.5% 1/10W
R182	1-216-675-11	METAL CHIP 1K	0.5% 1/10W
R183	1-216-675-11	METAL CHIP 1K	0.5% 1/10W
R184	1-216-619-11	METAL CHIP 47	0.5% 1/10W
R185	1-216-670-11	METAL CHIP 6.2K	0.5% 1/10W
R186	1-216-683-11	METAL CHIP 22K	0.5% 1/10W
R189	1-216-675-11	METAL CHIP 1K	0.5% 1/10W
R190	1-216-675-11	METAL CHIP 1K	0.5% 1/10W
R191	1-216-849-11	METAL CHIP 220K	5% 1/10W
R192	1-216-849-11	METAL CHIP 220K	5% 1/10W
R193	1-216-849-11	METAL CHIP 220K	5% 1/10W
R194	1-216-849-11	METAL CHIP 220K	5% 1/10W
R195	1-216-849-11	METAL CHIP 220K	5% 1/10W
R196	1-216-849-11	METAL CHIP 220K	5% 1/10W
R197	1-216-849-11	METAL CHIP 220K	5% 1/10W
R198	1-216-849-11	METAL CHIP 220K	5% 1/10W
R199	1-216-849-11	METAL CHIP 220K	5% 1/10W
R200	1-216-849-11	METAL CHIP 220K	5% 1/10W
R201	1-216-849-11	METAL CHIP 220K	5% 1/10W
R202	1-216-849-11	METAL CHIP 220K	5% 1/10W
R203	1-216-849-11	METAL CHIP 220K	5% 1/10W
R204	1-216-849-11	METAL CHIP 220K	5% 1/10W
R205	1-216-849-11	METAL CHIP 220K	5% 1/10W
R206	1-216-849-11	METAL CHIP 220K	5% 1/10W
R211	1-216-619-11	METAL CHIP 47	0.5% 1/10W
R212	1-216-675-11	METAL CHIP 1K	0.5% 1/10W
R213	1-216-675-11	METAL CHIP 1K	0.5% 1/10W
R214	1-216-619-11	METAL CHIP 47	0.5% 1/10W
R215	1-216-670-11	METAL CHIP 6.2K	0.5% 1/10W
R216	1-216-683-11	METAL CHIP 22K	0.5% 1/10W
R219	1-216-675-11	METAL CHIP 1K	0.5% 1/10W
R220	1-216-675-11	METAL CHIP 1K	0.5% 1/10W
R241	1-216-619-11	METAL CHIP 47	0.5% 1/10W
R242	1-216-675-11	METAL CHIP 1K	0.5% 1/10W
R243	1-216-675-11	METAL CHIP 1K	0.5% 1/10W
R244	1-216-619-11	METAL CHIP 47	0.5% 1/10W
R245	1-216-670-11	METAL CHIP 6.2K	0.5% 1/10W
R246	1-216-683-11	METAL CHIP 22K	0.5% 1/10W
R249	1-216-675-11	METAL CHIP 1K	0.5% 1/10W
R250	1-216-675-11	METAL CHIP 1K	0.5% 1/10W
R261	1-216-619-11	METAL CHIP 47	0.5% 1/10W

Ref. No.	Part No.	Description	Remark
R262	1-216-675-11	METAL CHIP 1K	0.5% 1/10W
R263	1-216-675-11	METAL CHIP 1K	0.5% 1/10W
R264	1-216-619-11	METAL CHIP 47	0.5% 1/10W
R265	1-216-670-11	METAL CHIP 6.2K	0.5% 1/10W
R266	1-216-683-11	METAL CHIP 22K	0.5% 1/10W
R269	1-216-675-11	METAL CHIP 1K	0.5% 1/10W
R270	1-216-675-11	METAL CHIP 1K	0.5% 1/10W
R281	1-216-619-11	METAL CHIP 47	0.5% 1/10W
R282	1-216-675-11	METAL CHIP 1K	0.5% 1/10W
R283	1-216-675-11	METAL CHIP 1K	0.5% 1/10W
R284	1-216-619-11	METAL CHIP 47	0.5% 1/10W
R285	1-216-670-11	METAL CHIP 6.2K	0.5% 1/10W
R286	1-216-683-11	METAL CHIP 22K	0.5% 1/10W
R289	1-216-675-11	METAL CHIP 1K	0.5% 1/10W
R290	1-216-675-11	METAL CHIP 1K	0.5% 1/10W
< VARIABLE RESISTOR >			
RV111	1-227-405-21	RES, ADJ, CERMET	220
RV141	1-227-405-21	RES, ADJ, CERMET	220
RV161	1-227-405-21	RES, ADJ, CERMET	220
RV181	1-227-405-21	RES, ADJ, CERMET	220
RV211	1-227-405-21	RES, ADJ, CERMET	220
RV241	1-227-405-21	RES, ADJ, CERMET	220
RV261	1-227-405-21	RES, ADJ, CERMET	220
RV281	1-227-405-21	RES, ADJ, CERMET	220

A-4734-001-A AUDIO BOARD, COMPLETE (US, CND)			
A-4734-086-A AUDIO BOARD, COMPLETE (EXCEPT US, CND)			

< CAPACITOR >			
C112	1-119-825-41	ELECT	22uF 20% 50V (EXCEPT US, CND)
C112	1-128-858-11	ELECT	22uF 20% 50V (US, CND)
C121	1-119-825-41	ELECT	22uF 20% 50V (EXCEPT US, CND)
C121	1-128-858-11	ELECT	22uF 20% 50V (US, CND)
C122	1-119-825-41	ELECT	22uF 20% 50V (EXCEPT US, CND)
C122	1-128-858-11	ELECT	22uF 20% 50V (US, CND)
C126	1-119-825-41	ELECT	22uF 20% 50V (EXCEPT US, CND)
C126	1-128-858-11	ELECT	22uF 20% 50V (US, CND)
C127	1-119-825-41	ELECT	22uF 20% 50V (EXCEPT US, CND)
C127	1-128-858-11	ELECT	22uF 20% 50V (US, CND)
C128	1-119-825-41	ELECT	22uF 20% 50V (EXCEPT US, CND)
C128	1-128-858-11	ELECT	22uF 20% 50V (US, CND)
C142	1-119-825-41	ELECT	22uF 20% 50V (EXCEPT US, CND)
C142	1-128-858-11	ELECT	22uF 20% 50V (US, CND)

AUDIO

Ref. No.	Part No.	Description	Remark	Ref. No.	Part No.	Description	Remark
C162	1-119-825-41	ELECT	22uF 20% 50V (EXCEPT US, CND)	C406	1-163-251-11	CERAMIC CHIP 100PF	5% 50V (EXCEPT US, CND)
C162	1-128-858-11	ELECT	22uF 20% 50V (US, CND)	C407	1-163-251-11	CERAMIC CHIP 100PF	5% 50V (EXCEPT US, CND)
C182	1-119-825-41	ELECT	22uF 20% 50V (EXCEPT US, CND)	C411	1-163-251-11	CERAMIC CHIP 100PF	5% 50V (EXCEPT US, CND)
C182	1-128-858-11	ELECT	22uF 20% 50V (US, CND)	C412	1-163-251-11	CERAMIC CHIP 100PF	5% 50V (EXCEPT US, CND)
C212	1-119-825-41	ELECT	22uF 20% 50V (EXCEPT US, CND)	C413	1-163-251-11	CERAMIC CHIP 100PF	5% 50V (EXCEPT US, CND)
C212	1-128-858-11	ELECT	22uF 20% 50V (US, CND)	C414	1-163-251-11	CERAMIC CHIP 100PF	5% 50V (EXCEPT US, CND)
C221	1-119-825-41	ELECT	22uF 20% 50V (EXCEPT US, CND)	C415	1-163-251-11	CERAMIC CHIP 100PF	5% 50V (EXCEPT US, CND)
C221	1-128-858-11	ELECT	22uF 20% 50V (US, CND)	C416	1-163-251-11	CERAMIC CHIP 100PF	5% 50V (EXCEPT US, CND)
C222	1-119-825-41	ELECT	22uF 20% 50V (EXCEPT US, CND)	C417	1-163-251-11	CERAMIC CHIP 100PF	5% 50V (EXCEPT US, CND)
C222	1-128-858-11	ELECT	22uF 20% 50V (US, CND)	C418	1-163-251-11	CERAMIC CHIP 100PF	5% 50V (EXCEPT US, CND)
C226	1-119-825-41	ELECT	22uF 20% 50V (EXCEPT US, CND)	C419	1-163-251-11	CERAMIC CHIP 100PF	5% 50V (EXCEPT US, CND)
C226	1-128-858-11	ELECT	22uF 20% 50V (US, CND)	C420	1-163-251-11	CERAMIC CHIP 100PF	5% 50V (EXCEPT US, CND)
C227	1-119-825-41	ELECT	22uF 20% 50V (EXCEPT US, CND)	C421	1-163-251-11	CERAMIC CHIP 100PF	5% 50V (EXCEPT US, CND)
C227	1-128-858-11	ELECT	22uF 20% 50V (US, CND)	C422	1-119-825-41	ELECT 22uF	20% 50V (EXCEPT US, CND)
C228	1-119-825-41	ELECT	22uF 20% 50V (EXCEPT US, CND)	C422	1-128-858-11	ELECT 22uF	20% 50V (US, CND)
C228	1-128-858-11	ELECT	22uF 20% 50V (US, CND)	C423	1-119-825-41	ELECT 22uF	20% 50V (EXCEPT US, CND)
C242	1-119-825-41	ELECT	22uF 20% 50V (EXCEPT US, CND)	C423	1-128-858-11	ELECT 22uF	20% 50V (US, CND)
C242	1-128-858-11	ELECT	22uF 20% 50V (US, CND)	C424	1-119-825-41	ELECT 22uF	20% 50V (EXCEPT US, CND)
C262	1-119-825-41	ELECT	22uF 20% 50V (EXCEPT US, CND)	C424	1-128-858-11	ELECT 22uF	20% 50V (US, CND)
C262	1-128-858-11	ELECT	22uF 20% 50V (US, CND)	C425	1-119-825-41	ELECT 22uF	20% 50V (EXCEPT US, CND)
C282	1-119-825-41	ELECT	22uF 20% 50V (EXCEPT US, CND)	C425	1-128-858-11	ELECT 22uF	20% 50V (US, CND)
C282	1-128-858-11	ELECT	22uF 20% 50V (US, CND)	C431	1-163-251-11	CERAMIC CHIP 100PF	5% 50V (EXCEPT US, CND)
C326	1-163-251-11	CERAMIC CHIP	100PF 5% 50V	C432	1-163-125-00	CERAMIC CHIP 220PF	5% 50V (EXCEPT US, CND)
C327	1-163-021-11	CERAMIC CHIP	0.01uF 10% 50V	C433	1-119-821-11	ELECT 2.2uF	20% 50V
C328	1-164-161-11	CERAMIC CHIP	0.0022uF 10% 50V	C434	1-163-251-11	CERAMIC CHIP 100PF	5% 50V (EXCEPT US, CND)
C329	1-164-161-11	CERAMIC CHIP	0.0022uF 10% 50V	C435	1-128-834-11	ELECT 470uF	20% 10V
C341	1-163-251-11	CERAMIC CHIP	100PF 5% 50V	C436	1-125-896-91	MYLAR 0.0091uF	5% 50V
C342	1-163-021-11	CERAMIC CHIP	0.01uF 10% 50V	C437	1-136-159-00	MYLAR 0.033uF	5% 50V
C343	1-164-161-11	CERAMIC CHIP	0.0022uF 10% 50V	C438	1-126-045-11	ELECT 2.2uF	20% 50V
C344	1-164-161-11	CERAMIC CHIP	0.0022uF 10% 50V	C441	1-128-858-11	ELECT 22uF	20% 50V (US, CND)
C401	1-163-251-11	CERAMIC CHIP	100PF 5% 50V (EXCEPT US, CND)	C442	1-128-858-11	ELECT 22uF	20% 50V (US, CND)
C402	1-163-251-11	CERAMIC CHIP	100PF 5% 50V (EXCEPT US, CND)	C443	1-128-858-11	ELECT 22uF	20% 50V (US, CND)
C403	1-163-251-11	CERAMIC CHIP	100PF 5% 50V (EXCEPT US, CND)	C444	1-128-832-11	ELECT 220uF	20% 10V (US, CND)
C404	1-163-251-11	CERAMIC CHIP	100PF 5% 50V (EXCEPT US, CND)				
C405	1-163-251-11	CERAMIC CHIP	100PF 5% 50V (EXCEPT US, CND)				

STR-DA5000ES

AUDIO

Ref. No.	Part No.	Description	Remark	Ref. No.	Part No.	Description	Remark
C445	1-137-505-11	MYLAR	220PF 5% 100V (US, CND)	C517	1-163-251-11	CERAMIC CHIP 100PF 5% 50V (EXCEPT US, CND)	
C446	1-128-858-11	ELECT	22uF 20% 50V (US, CND)	C518	1-163-251-11	CERAMIC CHIP 100PF 5% 50V (EXCEPT US, CND)	
C451	1-128-858-11	ELECT	22uF 20% 50V (US, CND)	C519	1-163-251-11	CERAMIC CHIP 100PF 5% 50V (EXCEPT US, CND)	
C452	1-128-858-11	ELECT	22uF 20% 50V (US, CND)	C520	1-163-251-11	CERAMIC CHIP 100PF 5% 50V (EXCEPT US, CND)	
C453	1-128-858-11	ELECT	22uF 20% 50V (US, CND)	C521	1-163-251-11	CERAMIC CHIP 100PF 5% 50V (EXCEPT US, CND)	
C454	1-128-832-11	ELECT	220uF 20% 10V (US, CND)	C522	1-119-825-41	ELECT 22uF 20% 50V (EXCEPT US, CND)	
C455	1-137-505-11	MYLAR	220PF 5% 100V (US, CND)	C522	1-128-858-11	ELECT 22uF 20% 50V (US, CND)	
C456	1-128-858-11	ELECT	22uF 20% 50V (US, CND)	C523	1-119-825-41	ELECT 22uF 20% 50V (EXCEPT US, CND)	
C485	1-164-161-11	CERAMIC CHIP	0.0022uF 10% 50V	C523	1-128-858-11	ELECT 22uF 20% 50V (US, CND)	
C486	1-164-161-11	CERAMIC CHIP	0.0022uF 10% 50V	C524	1-119-825-41	ELECT 22uF 20% 50V (EXCEPT US, CND)	
C487	1-163-038-00	CERAMIC CHIP	0.1uF 25V	C524	1-128-858-11	ELECT 22uF 20% 50V (US, CND)	
C488	1-163-251-11	CERAMIC CHIP	100PF 5% 50V	C525	1-119-825-41	ELECT 22uF 20% 50V (EXCEPT US, CND)	
C491	1-163-251-11	CERAMIC CHIP	100PF 5% 50V (EXCEPT US, CND)	C525	1-128-858-11	ELECT 22uF 20% 50V (US, CND)	
C492	1-163-251-11	CERAMIC CHIP	100PF 5% 50V (EXCEPT US, CND)	C531	1-163-251-11	CERAMIC CHIP 100PF 5% 50V (EXCEPT US, CND)	
C493	1-163-251-11	CERAMIC CHIP	100PF 5% 50V (EXCEPT US, CND)	C532	1-163-125-00	CERAMIC CHIP 220PF 5% 50V (EXCEPT US, CND)	
C494	1-163-251-11	CERAMIC CHIP	100PF 5% 50V (EXCEPT US, CND)	C533	1-119-821-11	ELECT 2.2uF 20% 50V	
C495	1-163-251-11	CERAMIC CHIP	100PF 5% 50V (EXCEPT US, CND)	C534	1-163-251-11	CERAMIC CHIP 100PF 5% 50V (EXCEPT US, CND)	
C496	1-163-251-11	CERAMIC CHIP	100PF 5% 50V (EXCEPT US, CND)	C535	1-128-834-11	ELECT 470uF 20% 10V	
C497	1-117-681-11	ELECT CHIP	100uF 20% 16V	C536	1-125-896-91	MYLAR 0.0091uF 5% 50V	
C498	1-126-395-11	ELECT CHIP	22uF 20% 16V	C537	1-136-159-00	MYLAR 0.033uF 5% 50V	
C499	1-117-681-11	ELECT CHIP	100uF 20% 16V	C538	1-126-045-11	ELECT 2.2uF 20% 50V	
C501	1-163-251-11	CERAMIC CHIP	100PF 5% 50V (EXCEPT US, CND)	C541	1-128-858-11	ELECT 22uF 20% 50V (US, CND)	
C502	1-163-251-11	CERAMIC CHIP	100PF 5% 50V (EXCEPT US, CND)	C542	1-128-858-11	ELECT 22uF 20% 50V (US, CND)	
C503	1-163-251-11	CERAMIC CHIP	100PF 5% 50V (EXCEPT US, CND)	C543	1-128-858-11	ELECT 22uF 20% 50V (US, CND)	
C504	1-163-251-11	CERAMIC CHIP	100PF 5% 50V (EXCEPT US, CND)	C544	1-128-832-11	ELECT 220uF 20% 10V (US, CND)	
C505	1-163-251-11	CERAMIC CHIP	100PF 5% 50V (EXCEPT US, CND)	C545	1-137-505-11	MYLAR 220PF 5% 100V (US, CND)	
C506	1-163-251-11	CERAMIC CHIP	100PF 5% 50V (EXCEPT US, CND)	C546	1-128-858-11	ELECT 22uF 20% 50V (US, CND)	
C507	1-163-251-11	CERAMIC CHIP	100PF 5% 50V (EXCEPT US, CND)	C551	1-128-858-11	ELECT 22uF 20% 50V (US, CND)	
C511	1-163-251-11	CERAMIC CHIP	100PF 5% 50V (EXCEPT US, CND)	C552	1-128-858-11	ELECT 22uF 20% 50V (US, CND)	
C512	1-163-251-11	CERAMIC CHIP	100PF 5% 50V (EXCEPT US, CND)	C553	1-128-858-11	ELECT 22uF 20% 50V (US, CND)	
C513	1-163-251-11	CERAMIC CHIP	100PF 5% 50V (EXCEPT US, CND)	C554	1-128-832-11	ELECT 220uF 20% 10V (US, CND)	
C514	1-163-251-11	CERAMIC CHIP	100PF 5% 50V (EXCEPT US, CND)	C555	1-137-505-11	MYLAR 220PF 5% 100V (US, CND)	
C515	1-163-251-11	CERAMIC CHIP	100PF 5% 50V (EXCEPT US, CND)	C556	1-128-858-11	ELECT 22uF 20% 50V (US, CND)	
C516	1-163-251-11	CERAMIC CHIP	100PF 5% 50V (EXCEPT US, CND)	C585	1-164-161-11	CERAMIC CHIP 0.0022uF 10% 50V	

AUDIO

Ref. No.	Part No.	Description	Remark	Ref. No.	Part No.	Description	Remark
C586	1-164-161-11	CERAMIC CHIP	0.0022uF 10% 50V	C694	1-136-169-00	MYLAR	0.22uF 5% 50V
C587	1-163-038-00	CERAMIC CHIP	0.1uF 25V	C695	1-136-169-00	MYLAR	0.22uF 5% 50V
C588	1-163-251-11	CERAMIC CHIP	100PF 5% 50V	C696	1-119-803-11	ELECT	470uF 20% 25V
C591	1-163-251-11	CERAMIC CHIP	100PF 5% 50V	C696	1-127-726-91	ELECT	470uF 20% 25V
C592	1-163-251-11	CERAMIC CHIP	100PF 5% 50V (EXCEPT US, CND)	C697	1-136-169-00	MYLAR	0.22uF 5% 50V
C593	1-163-251-11	CERAMIC CHIP	100PF 5% 50V (EXCEPT US, CND)	C698	1-165-319-11	CERAMIC CHIP	0.1uF 50V
C594	1-163-251-11	CERAMIC CHIP	100PF 5% 50V (EXCEPT US, CND)	< CONNECTOR >			
C595	1-163-251-11	CERAMIC CHIP	100PF 5% 50V (EXCEPT US, CND)	CNP603	1-564-320-00	PIN, CONNECTOR (3.96mm PITCH) 2P	
C596	1-163-251-11	CERAMIC CHIP	100PF 5% 50V (EXCEPT US, CND)	CNP604	1-784-926-11	PIN, CONNECTOR 11P	
C597	1-126-395-11	ELECT CHIP	22uF 20% 16V	CNP605	1-691-767-11	PLUG (MICRO CONNECTOR) 5P	
C598	1-126-395-11	ELECT CHIP	22uF 20% 16V	CNP606	1-779-978-11	PIN, CONNECTOR 3P	
C599	1-117-681-11	ELECT CHIP	100uF 20% 16V	CNP607	1-564-320-00	PIN, CONNECTOR (3.96mm PITCH) 2P	
C601	1-216-295-00	SHORT CHIP	0	CNP608	1-564-320-00	PIN, CONNECTOR (3.96mm PITCH) 2P	
C602	1-216-295-00	SHORT CHIP	0	CNP609	1-691-765-11	PLUG (MICRO CONNECTOR) 3P (US, CND)	
C603	1-216-295-00	SHORT CHIP	0	CNP610	1-564-320-00	PIN, CONNECTOR (3.96mm PITCH) 2P	
C604	1-216-295-00	SHORT CHIP	0	CNP611	1-564-320-00	PIN, CONNECTOR (3.96mm PITCH) 2P	(US, CND)
C611	1-216-295-00	SHORT CHIP	0	CNP612	1-784-922-11	PIN, CONNECTOR 5P (EXCEPT US, CND)	
C612	1-216-295-00	SHORT CHIP	0	CNP613	1-691-766-11	PLUG (MICRO CONNECTOR) 4P	
C613	1-216-295-00	SHORT CHIP	0	CNP617	1-784-038-11	CONNECTOR, BOARD TO BOARD 9P	
C614	1-216-295-00	SHORT CHIP	0	* CNP618	1-766-600-11	CONNECTOR, BOARD TO BOARD 7P	
C615	1-216-295-00	SHORT CHIP	0	CNP619	1-770-010-11	CONNECTOR, BOARD TO BOARD 4P	
C631	1-163-033-00	CERAMIC CHIP	0.022uF 50V	< DIODE >			
C632	1-163-033-00	CERAMIC CHIP	0.022uF 50V	D641	8-719-988-61	DIODE 1SS355TE-17 (US, CND)	
C642	1-164-161-11	CERAMIC CHIP	0.0022uF 10% 50V (US, CND)	D651	8-719-988-61	DIODE 1SS355TE-17 (US, CND)	
C643	1-164-161-11	CERAMIC CHIP	0.0022uF 10% 50V (US, CND)	< GROUND TERMINAL >			
C644	1-163-021-11	CERAMIC CHIP	0.01uF 10% 50V (US, CND)	* EPT601	1-537-738-21	TERMINAL, EARTH	
C652	1-164-161-11	CERAMIC CHIP	0.0022uF 10% 50V (US, CND)	< IC >			
C653	1-164-161-11	CERAMIC CHIP	0.0022uF 10% 50V (US, CND)	IC131	8-759-832-29	IC NJM4580M-(TE2)	
C654	1-163-021-11	CERAMIC CHIP	0.01uF 10% 50V (US, CND)	IC231	8-759-832-29	IC NJM4580M-(TE2)	
C685	1-164-161-11	CERAMIC CHIP	0.0022uF 10% 50V (US, CND)	IC301	8-759-832-29	IC NJM4580M-(TE2)	
C686	1-164-161-11	CERAMIC CHIP	0.0022uF 10% 50V (US, CND)	IC311	8-759-832-29	IC NJM4580M-(TE2)	
C687	1-163-038-00	CERAMIC CHIP	0.1uF 25V (US, CND)	IC312	8-759-832-29	IC NJM4580M-(TE2)	
C688	1-163-251-11	CERAMIC CHIP	100PF 5% 50V (US, CND)	IC313	8-759-832-29	IC NJM4580M-(TE2)	
C691	1-127-728-51	ELECT	2200uF 20% 25V (US, CND)	IC321	8-759-832-29	IC NJM4580M-(TE2)	
C691	1-135-686-51	ELECT	2200uF 25V (EXCEPT US, CND)	IC322	8-759-832-29	IC NJM4580M-(TE2)	
C692	1-127-728-51	ELECT	2200uF 20% 25V (US, CND)	IC326	8-759-835-79	IC TC9274N-016	
C692	1-135-686-51	ELECT	2200uF 25V (EXCEPT US, CND)	IC327	8-759-832-29	IC NJM4580M-(TE2)	
C693	1-127-728-51	ELECT	2200uF 20% 25V (US, CND)	IC341	8-759-835-79	IC TC9274N-016	
C693	1-135-686-51	ELECT	2200uF 25V (EXCEPT US, CND)	IC401	8-759-835-78	IC TC9274N-015	
				IC501	8-759-835-78	IC TC9274N-015	
				IC601	8-759-582-66	IC TC9273N-013 (US, CND)	
				IC611	8-759-832-29	IC NJM4580M-(TE2)	
				IC612	8-759-832-29	IC NJM4580M-(TE2)	
				IC613	8-759-832-29	IC NJM4580M-(TE2)	
				IC614	8-759-832-29	IC NJM4580M-(TE2)	
				IC615	8-759-832-29	IC NJM4580M-(TE2)	
				IC616	8-759-832-29	IC NJM4580M-(TE2)	
				IC617	8-759-832-29	IC NJM4580M-(TE2)	
				IC618	8-759-832-29	IC NJM4580M-(TE2)	
				IC619	8-759-832-29	IC NJM4580M-(TE2)	

STR-DA5000ES

AUDIO

Ref. No.	Part No.	Description	Remark	Ref. No.	Part No.	Description	Remark
IC620	8-759-832-29	IC NJM4580M-(TE2)		R125	1-216-238-00	RES-CHIP 47K	2% 1/8W (US, CND)
IC621	8-759-832-29	IC NJM4580M-(TE2)		R125	1-260-016-11	CARBON MELF 47K	2% 1/8W (EXCEPT US, CND)
IC641	8-759-832-29	IC NJM4580M-(TE2) (US, CND)		R126	1-216-222-00	RES-CHIP 1K	2% 1/8W (US, CND)
IC642	6-702-387-01	IC CXD9725M (US, CND)		R126	1-260-008-11	CARBON MELF 1K	2% 1/8W (EXCEPT US, CND)
IC643	8-759-832-29	IC NJM4580M-(TE2) (US, CND)		R127	1-216-222-00	RES-CHIP 1K	2% 1/8W (US, CND)
IC651	8-759-832-29	IC NJM4580M-(TE2) (US, CND)		R127	1-260-008-11	CARBON MELF 1K	2% 1/8W (EXCEPT US, CND)
IC652	6-702-387-01	IC CXD9725M (US, CND)		R128	1-216-222-00	RES-CHIP 1K	2% 1/8W (US, CND)
IC653	8-759-832-29	IC NJM4580M-(TE2) (US, CND)		R128	1-260-008-11	CARBON MELF 1K	2% 1/8W (EXCEPT US, CND)
IC691	8-759-231-53	IC TA7805S		R129	1-208-565-41	RES-CHIP 39K	2% 1/8W (US, CND)
IC692	8-759-238-47	IC TC74HCT7007AF (EL)		R129	1-260-015-11	CARBON MELF 39K	2% 1/8W (EXCEPT US, CND)
		< JACK >		R130	1-208-561-11	RES-CHIP 27K	2% 1/8W (US, CND)
J601	1-784-934-11	JACK, PIN 4P (MULTI CHANNEL INPUT 2 FRONT/SURROUND)		R130	1-260-013-11	CARBON MELF 27K	2% 1/8W (EXCEPT US, CND)
J602	1-817-602-11	JACK, PIN 2P (MULTI CHANNEL INPUT 2 SURR BACK)		R131	1-208-516-41	RES-CHIP 18K	2% 1/8W (US, CND)
J603	1-785-795-11	JACK, PIN 2P (MULTI CHANNEL INPUT 2 CENTER/SUB WOOFER)		R131	1-260-011-11	CARBON MELF 18K	2% 1/8W (EXCEPT US, CND)
J604	1-779-599-21	JACK, PIN 6P (MULTI CHANNEL INPUT 1 FRONT/SURROUND/CENTER/SUB WOOFER)		R132	1-208-810-11	METAL CHIP 15K	0.5% 1/10W (US, CND)
J605	1-778-517-11	JACK, PIN 6P (PHONO IN, CD/DVD IN, MD DAT OUT)		R132	1-260-010-11	CARBON MELF 15K	2% 1/8W (EXCEPT US, CND)
J606	1-778-517-11	JACK, PIN 6P (MD/DAT IN, TAPE OUT, TAPE IN)		R133	1-208-810-11	METAL CHIP 15K	0.5% 1/10W (US, CND)
J607	1-778-517-11	JACK, PIN 6P (TV/SAT AUDIO IN, DVD AUDIO IN, VIDEO2 AUDIO OUT)		R133	1-260-010-11	CARBON MELF 15K	2% 1/8W (EXCEPT US, CND)
J608	1-778-517-11	JACK, PIN 6P (VIDEO2 AUDIO IN, VIDEO1 AUDIO IN, VIDEO1 AUDIO OUT)		R134	1-216-214-00	RES-CHIP 4.7K	2% 1/8W (US, CND)
J609	1-784-934-11	JACK, PIN 4P (2ND/3RD ZONE OUT AUDIO VARIABLE) (US, CND)		R134	1-260-004-11	CARBON MELF 4.7K	2% 1/8W (EXCEPT US, CND)
		< TRANSISTOR >		R135	1-216-222-00	RES-CHIP 1K	2% 1/8W (US, CND)
Q631	8-729-230-49	TRANSISTOR 2SC2712-YG (US, CND)		R135	1-260-008-11	CARBON MELF 1K	2% 1/8W (EXCEPT US, CND)
Q632	8-729-027-24	TRANSISTOR DTA114TKA-T146 (US, CND)		R136	1-216-238-00	RES-CHIP 47K	2% 1/8W (US, CND)
Q641	8-729-230-49	TRANSISTOR 2SC2712-YG (US, CND)		R136	1-260-016-11	CARBON MELF 47K	2% 1/8W (EXCEPT US, CND)
Q651	8-729-230-49	TRANSISTOR 2SC2712-YG (US, CND)		R147	1-216-238-00	RES-CHIP 47K	2% 1/8W (US, CND)
Q661	8-729-230-49	TRANSISTOR 2SC2712-YG (US, CND)		R147	1-260-016-11	CARBON MELF 47K	2% 1/8W (EXCEPT US, CND)
Q662	8-729-027-24	TRANSISTOR DTA114TKA-T146 (US, CND)		R148	1-216-238-00	RES-CHIP 47K	2% 1/8W (US, CND)
		< RESISTOR >		R148	1-260-016-11	CARBON MELF 47K	2% 1/8W (EXCEPT US, CND)
R117	1-216-238-00	RES-CHIP 47K	2% 1/8W (US, CND)	R167	1-216-238-00	RES-CHIP 47K	2% 1/8W (US, CND)
R117	1-260-016-11	CARBON MELF 47K	2% 1/8W (EXCEPT US, CND)	R167	1-260-016-11	CARBON MELF 47K	2% 1/8W (EXCEPT US, CND)
R121	1-216-222-00	RES-CHIP 1K	2% 1/8W (US, CND)	R168	1-216-238-00	RES-CHIP 47K	2% 1/8W (US, CND)
R121	1-260-008-11	CARBON MELF 1K	2% 1/8W (EXCEPT US, CND)				
R122	1-208-561-11	RES-CHIP 27K	2% 1/8W (US, CND)				
R122	1-260-013-11	CARBON MELF 27K	2% 1/8W (EXCEPT US, CND)				
R123	1-216-222-00	RES-CHIP 1K	2% 1/8W (US, CND)				
R123	1-260-008-11	CARBON MELF 1K	2% 1/8W (EXCEPT US, CND)				
R124	1-216-222-00	RES-CHIP 1K	2% 1/8W (US, CND)				
R124	1-260-008-11	CARBON MELF 1K	2% 1/8W (EXCEPT US, CND)				

AUDIO

Ref. No.	Part No.	Description	Remark	Ref. No.	Part No.	Description	Remark
R168	1-260-016-11	CARBON MELF	47K 2% 1/8W (EXCEPT US, CND)	R233	1-208-810-11	METAL CHIP	15K 0.5% 1/10W (US, CND)
R187	1-216-238-00	RES-CHIP	47K 2% 1/8W (US, CND)	R233	1-260-010-11	CARBON MELF	15K 2% 1/8W (EXCEPT US, CND)
R187	1-260-016-11	CARBON MELF	47K 2% 1/8W (EXCEPT US, CND)	R234	1-216-214-00	RES-CHIP	4.7K 2% 1/8W (US, CND)
R188	1-216-238-00	RES-CHIP	47K 2% 1/8W (US, CND)	R234	1-260-004-11	CARBON MELF	4.7K 2% 1/8W (EXCEPT US, CND)
R188	1-260-016-11	CARBON MELF	47K 2% 1/8W (EXCEPT US, CND)	R235	1-216-222-00	RES-CHIP	1K 2% 1/8W (US, CND)
R217	1-216-238-00	RES-CHIP	47K 2% 1/8W (US, CND)	R235	1-260-008-11	CARBON MELF	1K 2% 1/8W (EXCEPT US, CND)
R217	1-260-016-11	CARBON MELF	47K 2% 1/8W (EXCEPT US, CND)	R236	1-216-238-00	RES-CHIP	47K 2% 1/8W (US, CND)
R221	1-216-222-00	RES-CHIP	1K 2% 1/8W (US, CND)	R236	1-260-016-11	CARBON MELF	47K 2% 1/8W (EXCEPT US, CND)
R221	1-260-008-11	CARBON MELF	1K 2% 1/8W (EXCEPT US, CND)	R247	1-216-238-00	RES-CHIP	47K 2% 1/8W (US, CND)
R222	1-208-561-11	RES-CHIP	27K 2% 1/8W (US, CND)	R247	1-260-016-11	CARBON MELF	47K 2% 1/8W (EXCEPT US, CND)
R222	1-260-013-11	CARBON MELF	27K 2% 1/8W (EXCEPT US, CND)	R248	1-216-238-00	RES-CHIP	47K 2% 1/8W (US, CND)
R223	1-216-222-00	RES-CHIP	1K 2% 1/8W (US, CND)	R248	1-260-016-11	CARBON MELF	47K 2% 1/8W (EXCEPT US, CND)
R223	1-260-008-11	CARBON MELF	1K 2% 1/8W (EXCEPT US, CND)	R267	1-216-238-00	RES-CHIP	47K 2% 1/8W (US, CND)
R224	1-216-222-00	RES-CHIP	1K 2% 1/8W (US, CND)	R267	1-260-016-11	CARBON MELF	47K 2% 1/8W (EXCEPT US, CND)
R224	1-260-008-11	CARBON MELF	1K 2% 1/8W (EXCEPT US, CND)	R268	1-216-238-00	RES-CHIP	47K 2% 1/8W (US, CND)
R225	1-216-238-00	RES-CHIP	47K 2% 1/8W (US, CND)	R268	1-260-016-11	CARBON MELF	47K 2% 1/8W (EXCEPT US, CND)
R225	1-260-016-11	CARBON MELF	47K 2% 1/8W (EXCEPT US, CND)	R287	1-216-238-00	RES-CHIP	47K 2% 1/8W (US, CND)
R226	1-216-222-00	RES-CHIP	1K 2% 1/8W (US, CND)	R287	1-260-016-11	CARBON MELF	47K 2% 1/8W (EXCEPT US, CND)
R226	1-260-008-11	CARBON MELF	1K 2% 1/8W (EXCEPT US, CND)	R288	1-216-238-00	RES-CHIP	47K 2% 1/8W (US, CND)
R227	1-216-222-00	RES-CHIP	1K 2% 1/8W (US, CND)	R288	1-260-016-11	CARBON MELF	47K 2% 1/8W (EXCEPT US, CND)
R227	1-260-008-11	CARBON MELF	1K 2% 1/8W (EXCEPT US, CND)	R326	1-216-295-00	SHORT CHIP	0
R228	1-216-222-00	RES-CHIP	1K 2% 1/8W (US, CND)	R327	1-216-295-00	SHORT CHIP	0
R228	1-260-008-11	CARBON MELF	1K 2% 1/8W (EXCEPT US, CND)	R328	1-216-295-00	SHORT CHIP	0
R229	1-208-565-41	RES-CHIP	39K 2% 1/8W (US, CND)	R329	1-216-013-00	RES-CHIP	33 5% 1/10W
R229	1-260-015-11	CARBON MELF	39K 2% 1/8W (EXCEPT US, CND)	R340	1-216-013-00	RES-CHIP	33 5% 1/10W
R230	1-208-561-11	RES-CHIP	27K 2% 1/8W (US, CND)	R341	1-216-295-00	SHORT CHIP	0
R230	1-260-013-11	CARBON MELF	27K 2% 1/8W (EXCEPT US, CND)	R342	1-216-295-00	SHORT CHIP	0
R231	1-208-516-41	RES-CHIP	18K 2% 1/8W (US, CND)	R343	1-216-295-00	SHORT CHIP	0
R231	1-260-011-11	CARBON MELF	18K 2% 1/8W (EXCEPT US, CND)	R344	1-216-013-00	RES-CHIP	33 5% 1/10W
R232	1-208-810-11	METAL CHIP	15K 0.5% 1/10W (US, CND)	R345	1-216-013-00	RES-CHIP	33 5% 1/10W
R232	1-260-010-11	CARBON MELF	15K 2% 1/8W (EXCEPT US, CND)	R401	1-208-782-11	METAL CHIP	1K 0.5% 1/10W (US, CND)
				R401	1-259-995-11	CARBON MELF	1K 2% 1/8W (EXCEPT US, CND)
				R402	1-208-782-11	METAL CHIP	1K 0.5% 1/10W (US, CND)
				R402	1-259-995-11	CARBON MELF	1K 2% 1/8W (EXCEPT US, CND)
				R403	1-208-782-11	METAL CHIP	1K 0.5% 1/10W (US, CND)
				R403	1-259-995-11	CARBON MELF	1K 2% 1/8W (EXCEPT US, CND)

STR-DA5000ES

AUDIO

Ref. No.	Part No.	Description	Remark	Ref. No.	Part No.	Description	Remark
R404	1-208-782-11	METAL CHIP	1K 0.5% 1/10W (US, CND)	R422	1-260-016-11	CARBON MELF	47K 2% 1/8W (EXCEPT US, CND)
R404	1-259-995-11	CARBON MELF	1K 2% 1/8W (EXCEPT US, CND)	R423	1-216-238-00	RES-CHIP	47K 2% 1/8W (US, CND)
R405	1-208-782-11	METAL CHIP	1K 0.5% 1/10W (US, CND)	R423	1-260-016-11	CARBON MELF	47K 2% 1/8W (EXCEPT US, CND)
R405	1-259-995-11	CARBON MELF	1K 2% 1/8W (EXCEPT US, CND)	R424	1-216-238-00	RES-CHIP	47K 2% 1/8W (US, CND)
R406	1-208-782-11	METAL CHIP	1K 0.5% 1/10W (US, CND)	R424	1-260-016-11	CARBON MELF	47K 2% 1/8W (EXCEPT US, CND)
R406	1-259-995-11	CARBON MELF	1K 2% 1/8W (EXCEPT US, CND)	R425	1-216-238-00	RES-CHIP	47K 2% 1/8W (US, CND)
R407	1-208-782-11	METAL CHIP	1K 0.5% 1/10W (US, CND)	R425	1-260-016-11	CARBON MELF	47K 2% 1/8W (EXCEPT US, CND)
R407	1-259-995-11	CARBON MELF	1K 2% 1/8W (EXCEPT US, CND)	R426	1-216-238-00	RES-CHIP	47K 2% 1/8W (US, CND)
R411	1-208-782-11	METAL CHIP	1K 0.5% 1/10W (US, CND)	R426	1-260-016-11	CARBON MELF	47K 2% 1/8W (EXCEPT US, CND)
R411	1-259-995-11	CARBON MELF	1K 2% 1/8W (EXCEPT US, CND)	R427	1-216-238-00	RES-CHIP	47K 2% 1/8W (US, CND)
R412	1-208-782-11	METAL CHIP	1K 0.5% 1/10W (US, CND)	R427	1-260-016-11	CARBON MELF	47K 2% 1/8W (EXCEPT US, CND)
R412	1-259-995-11	CARBON MELF	1K 2% 1/8W (EXCEPT US, CND)	R428	1-216-238-00	RES-CHIP	47K 2% 1/8W (US, CND)
R413	1-208-782-11	METAL CHIP	1K 0.5% 1/10W (US, CND)	R428	1-260-016-11	CARBON MELF	47K 2% 1/8W (EXCEPT US, CND)
R413	1-259-995-11	CARBON MELF	1K 2% 1/8W (EXCEPT US, CND)	R431	1-208-445-41	RES-CHIP	2.2K 2% 1/10W (EXCEPT US, CND)
R414	1-208-782-11	METAL CHIP	1K 0.5% 1/10W (US, CND)	R431	1-216-295-00	SHORT CHIP	0 (US, CND)
R414	1-259-995-11	CARBON MELF	1K 2% 1/8W (EXCEPT US, CND)	R432	1-216-699-11	METAL CHIP	100K 0.5% 1/10W
R415	1-208-782-11	METAL CHIP	1K 0.5% 1/10W (US, CND)	R433	1-216-699-11	METAL CHIP	100K 0.5% 1/10W
R415	1-259-995-11	CARBON MELF	1K 2% 1/8W (EXCEPT US, CND)	R434	1-216-633-11	METAL CHIP	180 0.5% 1/10W
R416	1-208-782-11	METAL CHIP	1K 0.5% 1/10W (US, CND)	R435	1-216-673-11	METAL CHIP	8.2K 0.5% 1/10W
R416	1-259-995-11	CARBON MELF	1K 2% 1/8W (EXCEPT US, CND)	R436	1-216-699-11	METAL CHIP	100K 0.5% 1/10W
R417	1-208-782-11	METAL CHIP	1K 0.5% 1/10W (US, CND)	R437	1-216-627-11	METAL CHIP	100 0.5% 1/10W
R417	1-259-995-11	CARBON MELF	1K 2% 1/8W (EXCEPT US, CND)	R438	1-216-699-11	METAL CHIP	100K 0.5% 1/10W
R418	1-216-206-00	RES-CHIP	2.2K 2% 1/8W (US, CND)	R439	1-208-774-11	METAL CHIP	470 0.5% 1/10W
R418	1-259-999-11	CARBON MELF	2.2K 2% 1/8W (EXCEPT US, CND)	R441	1-208-526-41	RES-CHIP	47K 2% 1/10W (US, CND)
R419	1-208-782-11	METAL CHIP	1K 0.5% 1/10W (US, CND)	R442	1-208-437-41	RES-CHIP	1K 2% 1/10W (US, CND)
R419	1-259-995-11	CARBON MELF	1K 2% 1/8W (EXCEPT US, CND)	R443	1-216-699-11	METAL CHIP	100K 0.5% 1/10W (US, CND)
R420	1-216-206-00	RES-CHIP	2.2K 2% 1/8W (US, CND)	R444	1-208-826-11	METAL CHIP	68K 0.5% 1/10W (US, CND)
R420	1-259-999-11	CARBON MELF	2.2K 2% 1/8W (EXCEPT US, CND)	R445	1-216-627-11	METAL CHIP	100 0.5% 1/10W (US, CND)
R421	1-208-782-11	METAL CHIP	1K 0.5% 1/10W (US, CND)	R446	1-208-453-41	RES-CHIP	4.7K 2% 1/10W (US, CND)
R421	1-259-995-11	CARBON MELF	1K 2% 1/8W (EXCEPT US, CND)	R447	1-208-437-41	RES-CHIP	1K 2% 1/10W (US, CND)
R422	1-216-238-00	RES-CHIP	47K 2% 1/8W (US, CND)	R451	1-208-526-41	RES-CHIP	47K 2% 1/10W (US, CND)
				R452	1-208-437-41	RES-CHIP	1K 2% 1/10W (US, CND)
				R453	1-216-699-11	METAL CHIP	100K 0.5% 1/10W (US, CND)
				R454	1-208-826-11	METAL CHIP	68K 0.5% 1/10W (US, CND)
				R455	1-216-627-11	METAL CHIP	100 0.5% 1/10W (US, CND)

AUDIO

Ref. No.	Part No.	Description	Remark	Ref. No.	Part No.	Description	Remark
R456	1-208-453-41	RES-CHIP	4.7K 2% 1/10W (US, CND)	R506	1-208-782-11	METAL CHIP	1K 0.5% 1/10W (US, CND)
R457	1-208-437-41	RES-CHIP	1K 2% 1/10W (US, CND)	R506	1-259-995-11	CARBON MELF	1K 2% 1/8W (EXCEPT US, CND)
R461	1-216-222-00	RES-CHIP	1K 2% 1/8W (US, CND)	R507	1-208-782-11	METAL CHIP	1K 0.5% 1/10W (US, CND)
R461	1-260-008-11	CARBON MELF	1K 2% 1/8W (EXCEPT US, CND)	R507	1-259-995-11	CARBON MELF	1K 2% 1/8W (EXCEPT US, CND)
R462	1-216-222-00	RES-CHIP	1K 2% 1/8W (US, CND)	R511	1-208-782-11	METAL CHIP	1K 0.5% 1/10W (US, CND)
R462	1-260-008-11	CARBON MELF	1K 2% 1/8W (EXCEPT US, CND)	R511	1-259-995-11	CARBON MELF	1K 2% 1/8W (EXCEPT US, CND)
R463	1-216-222-00	RES-CHIP	1K 2% 1/8W (US, CND)	R512	1-208-782-11	METAL CHIP	1K 0.5% 1/10W (US, CND)
R463	1-260-008-11	CARBON MELF	1K 2% 1/8W (EXCEPT US, CND)	R512	1-259-995-11	CARBON MELF	1K 2% 1/8W (EXCEPT US, CND)
R464	1-216-222-00	RES-CHIP	1K 2% 1/8W (US, CND)	R513	1-208-782-11	METAL CHIP	1K 0.5% 1/10W (US, CND)
R464	1-260-008-11	CARBON MELF	1K 2% 1/8W (EXCEPT US, CND)	R513	1-259-995-11	CARBON MELF	1K 2% 1/8W (EXCEPT US, CND)
R485	1-216-013-00	RES-CHIP	33 5% 1/10W	R514	1-208-782-11	METAL CHIP	1K 0.5% 1/10W (US, CND)
R486	1-216-013-00	RES-CHIP	33 5% 1/10W	R514	1-259-995-11	CARBON MELF	1K 2% 1/8W (EXCEPT US, CND)
R487	1-216-295-00	SHORT CHIP	0	R515	1-208-782-11	METAL CHIP	1K 0.5% 1/10W (US, CND)
R488	1-216-295-00	SHORT CHIP	0	R515	1-259-995-11	CARBON MELF	1K 2% 1/8W (EXCEPT US, CND)
R489	1-216-295-00	SHORT CHIP	0	R516	1-208-782-11	METAL CHIP	1K 0.5% 1/10W (US, CND)
R491	1-208-782-11	METAL CHIP	1K 0.5% 1/10W (US, CND)	R516	1-259-995-11	CARBON MELF	1K 2% 1/8W (EXCEPT US, CND)
R491	1-259-995-11	CARBON MELF	1K 2% 1/8W (EXCEPT US, CND)	R517	1-208-782-11	METAL CHIP	1K 0.5% 1/10W (US, CND)
R492	1-208-782-11	METAL CHIP	1K 0.5% 1/10W (US, CND)	R517	1-259-995-11	CARBON MELF	1K 2% 1/8W (EXCEPT US, CND)
R492	1-259-995-11	CARBON MELF	1K 2% 1/8W (EXCEPT US, CND)	R518	1-216-206-00	RES-CHIP	2.2K 2% 1/8W (US, CND)
R493	1-208-782-11	METAL CHIP	1K 0.5% 1/10W (US, CND)	R518	1-259-999-11	CARBON MELF	2.2K 2% 1/8W (EXCEPT US, CND)
R493	1-259-995-11	CARBON MELF	1K 2% 1/8W (EXCEPT US, CND)	R519	1-208-782-11	METAL CHIP	1K 0.5% 1/10W (US, CND)
R494	1-208-782-11	METAL CHIP	1K 0.5% 1/10W (US, CND)	R519	1-259-995-11	CARBON MELF	1K 2% 1/8W (EXCEPT US, CND)
R494	1-259-995-11	CARBON MELF	1K 2% 1/8W (EXCEPT US, CND)	R520	1-216-206-00	RES-CHIP	2.2K 2% 1/8W (US, CND)
R501	1-208-782-11	METAL CHIP	1K 0.5% 1/10W (US, CND)	R520	1-259-999-11	CARBON MELF	2.2K 2% 1/8W (EXCEPT US, CND)
R501	1-259-995-11	CARBON MELF	1K 2% 1/8W (EXCEPT US, CND)	R521	1-208-782-11	METAL CHIP	1K 0.5% 1/10W (US, CND)
R502	1-208-782-11	METAL CHIP	1K 0.5% 1/10W (US, CND)	R521	1-259-995-11	CARBON MELF	1K 2% 1/8W (EXCEPT US, CND)
R502	1-259-995-11	CARBON MELF	1K 2% 1/8W (EXCEPT US, CND)	R522	1-216-238-00	RES-CHIP	47K 2% 1/8W (US, CND)
R503	1-208-782-11	METAL CHIP	1K 0.5% 1/10W (US, CND)	R522	1-260-016-11	CARBON MELF	47K 2% 1/8W (EXCEPT US, CND)
R503	1-259-995-11	CARBON MELF	1K 2% 1/8W (EXCEPT US, CND)	R523	1-216-238-00	RES-CHIP	47K 2% 1/8W (US, CND)
R504	1-208-782-11	METAL CHIP	1K 0.5% 1/10W (US, CND)	R523	1-260-016-11	CARBON MELF	47K 2% 1/8W (EXCEPT US, CND)
R504	1-259-995-11	CARBON MELF	1K 2% 1/8W (EXCEPT US, CND)	R524	1-216-238-00	RES-CHIP	47K 2% 1/8W (US, CND)
R505	1-208-782-11	METAL CHIP	1K 0.5% 1/10W (US, CND)				
R505	1-259-995-11	CARBON MELF	1K 2% 1/8W (EXCEPT US, CND)				

AUDIO

Ref. No.	Part No.	Description	Remark	Ref. No.	Part No.	Description	Remark
R524	1-260-016-11	CARBON MELF	47K 2% 1/8W (EXCEPT US, CND)	R562	1-216-222-00	RES-CHIP	1K 2% 1/8W (US, CND)
R525	1-216-238-00	RES-CHIP	47K 2% 1/8W (US, CND)	R562	1-260-008-11	CARBON MELF	1K 2% 1/8W (EXCEPT US, CND)
R525	1-260-016-11	CARBON MELF	47K 2% 1/8W (EXCEPT US, CND)	R563	1-216-222-00	RES-CHIP	1K 2% 1/8W (US, CND)
R526	1-216-238-00	RES-CHIP	47K 2% 1/8W (US, CND)	R563	1-260-008-11	CARBON MELF	1K 2% 1/8W (EXCEPT US, CND)
R526	1-260-016-11	CARBON MELF	47K 2% 1/8W (EXCEPT US, CND)	R564	1-216-222-00	RES-CHIP	1K 2% 1/8W (US, CND)
R527	1-216-238-00	RES-CHIP	47K 2% 1/8W (US, CND)	R564	1-260-008-11	CARBON MELF	1K 2% 1/8W (EXCEPT US, CND)
R527	1-260-016-11	CARBON MELF	47K 2% 1/8W (EXCEPT US, CND)	R585	1-216-013-00	RES-CHIP	33 5% 1/10W
R528	1-216-238-00	RES-CHIP	47K 2% 1/8W (US, CND)	R586	1-216-013-00	RES-CHIP	33 5% 1/10W
R528	1-260-016-11	CARBON MELF	47K 2% 1/8W (EXCEPT US, CND)	R587	1-216-295-00	SHORT CHIP	0
R531	1-208-445-41	RES-CHIP	2.2K 2% 1/10W (EXCEPT US, CND)	R588	1-216-295-00	SHORT CHIP	0
R531	1-216-295-00	SHORT CHIP	0 (US, CND)	R589	1-216-295-00	SHORT CHIP	0
R532	1-216-699-11	METAL CHIP	100K 0.5% 1/10W	R591	1-208-782-11	METAL CHIP	1K 0.5% 1/10W (US, CND)
R533	1-216-699-11	METAL CHIP	100K 0.5% 1/10W	R591	1-259-995-11	CARBON MELF	1K 2% 1/8W (EXCEPT US, CND)
R534	1-216-633-11	METAL CHIP	180 0.5% 1/10W	R592	1-208-782-11	METAL CHIP	1K 0.5% 1/10W (US, CND)
R535	1-216-673-11	METAL CHIP	8.2K 0.5% 1/10W	R592	1-259-995-11	CARBON MELF	1K 2% 1/8W (EXCEPT US, CND)
R536	1-216-699-11	METAL CHIP	100K 0.5% 1/10W	R593	1-208-782-11	METAL CHIP	1K 0.5% 1/10W (US, CND)
R537	1-216-627-11	METAL CHIP	100 0.5% 1/10W	R593	1-259-995-11	CARBON MELF	1K 2% 1/8W (EXCEPT US, CND)
R538	1-216-699-11	METAL CHIP	100K 0.5% 1/10W	R594	1-208-782-11	METAL CHIP	1K 0.5% 1/10W (US, CND)
R539	1-208-774-11	METAL CHIP	470 0.5% 1/10W	R594	1-259-995-11	CARBON MELF	1K 2% 1/8W (EXCEPT US, CND)
R541	1-208-526-41	RES-CHIP	47K 2% 1/10W (US, CND)	R631	1-216-001-00	RES-CHIP	10 5% 1/10W (US, CND)
R542	1-208-437-41	RES-CHIP	1K 2% 1/10W (US, CND)	R632	1-216-033-00	RES-CHIP	220 5% 1/10W (US, CND)
R543	1-216-699-11	METAL CHIP	100K 0.5% 1/10W (US, CND)	R633	1-216-049-11	RES-CHIP	1K 5% 1/10W (US, CND)
R544	1-208-826-11	METAL CHIP	68K 0.5% 1/10W (US, CND)	R642	1-216-013-00	RES-CHIP	33 5% 1/10W (US, CND)
R545	1-216-627-11	METAL CHIP	100 0.5% 1/10W (US, CND)	R643	1-216-013-00	RES-CHIP	33 5% 1/10W (US, CND)
R546	1-208-453-41	RES-CHIP	4.7K 2% 1/10W (US, CND)	R644	1-216-065-00	RES-CHIP	4.7K 5% 1/10W (US, CND)
R547	1-208-437-41	RES-CHIP	1K 2% 1/10W (US, CND)	R645	1-216-073-00	RES-CHIP	1K 5% 1/10W (US, CND)
R551	1-208-526-41	RES-CHIP	47K 2% 1/10W (US, CND)	△ R646	1-249-393-11	CARBON	10 5% 1/4W F (US, CND)
R552	1-208-437-41	RES-CHIP	1K 2% 1/10W (US, CND)	R647	1-216-295-00	SHORT CHIP	0 (US, CND)
R553	1-216-699-11	METAL CHIP	100K 0.5% 1/10W (US, CND)	R648	1-216-295-00	SHORT CHIP	0 (US, CND)
R554	1-208-826-11	METAL CHIP	68K 0.5% 1/10W (US, CND)	R649	1-216-295-00	SHORT CHIP	0 (US, CND)
R555	1-216-627-11	METAL CHIP	100 0.5% 1/10W (US, CND)	R651	1-216-097-11	RES-CHIP	100K 5% 1/10W (US, CND)
R556	1-208-453-41	RES-CHIP	4.7K 2% 1/10W (US, CND)	R652	1-216-013-00	RES-CHIP	33 5% 1/10W (US, CND)
R557	1-208-437-41	RES-CHIP	1K 2% 1/10W (US, CND)	R653	1-216-013-00	RES-CHIP	33 5% 1/10W (US, CND)
R561	1-216-222-00	RES-CHIP	1K 2% 1/8W (US, CND)	R654	1-216-065-00	RES-CHIP	4.7K 5% 1/10W (US, CND)
R561	1-260-008-11	CARBON MELF	1K 2% 1/8W (EXCEPT US, CND)	R655	1-216-073-00	RES-CHIP	1K 5% 1/10W (US, CND)

The components identified by mark △ or dotted line with mark △ are critical for safety. Replace only with part number specified.

Les composants identifiés par une marque △ sont critiques pour la sécurité. Ne les remplacer que par une pièce portant le numéro spécifié.

以阴影和 △ 标志来识别的零部件, 在安全方面具有关键性。因此只能以规定号码的零部件来更换。

AUDIO

CIS

Ref. No.	Part No.	Description	Remark	Ref. No.	Part No.	Description	Remark
△R656	1-249-393-11	CARBON	10 5%			< IC >	
			1/4W F (US, CND)				
R657	1-216-295-00	SHORT CHIP	0 (US, CND)	IC801	8-759-827-69	IC NJL63H400A-1	
R658	1-216-295-00	SHORT CHIP	0 (US, CND)	IC802	8-759-564-49	IC TC7W53FU (TE12R)	
R659	1-216-295-00	SHORT CHIP	0 (US, CND)	IC861	8-759-470-63	IC NJM2145M-TE2	
R661	1-216-001-00	RES-CHIP	10 5%			< JACK >	
			1/10W (US, CND)				
R662	1-216-033-00	RES-CHIP	220 5%	J801	1-563-330-11	JACK (IR REMOTE, IR IN)	
			1/10W (US, CND)	J802	1-563-330-11	JACK (IR REMOTE, IR OUT1)	
R663	1-216-049-11	RES-CHIP	1K 5%	J803	1-563-330-11	JACK (IR REMOTE, IR OUT2)	
			1/10W (US, CND)	J821	1-563-330-11	JACK (TRIGGER OUT, 3RD ZONE)	
R681	1-260-008-11	CARBON MELF	1K 2%	J831	1-563-330-11	JACK (TRIGGER OUT, 2ND ZONE)	
R682	1-260-008-11	CARBON MELF	1K 2%				
R685	1-216-013-00	RES-CHIP	33 5%	J841	1-563-330-11	JACK (TRIGGER OUT, MAIN)	
			1/10W (US, CND)	J861	1-563-330-11	JACK (CONTROL S OUT)	
R686	1-216-013-00	RES-CHIP	33 5%	J862	1-563-330-11	JACK (CONTROL S IN)	
			1/10W (US, CND)			< SHORT >	
R687	1-216-295-00	SHORT CHIP	0 (US, CND)				
R688	1-216-295-00	SHORT CHIP	0 (US, CND)	JW861	1-216-295-00	SHORT CHIP 0	
R689	1-216-295-00	SHORT CHIP	0 (US, CND)			< TRANSISTOR >	
		< RELAY >					
RY641	1-755-486-11	RELAY (US, CND)		Q821	8-729-140-93	TRANSISTOR 2SB733-34	
RY651	1-755-486-11	RELAY (US, CND)		Q822	8-729-027-43	TRANSISTOR DTC114EKA-T146	
				Q831	8-729-140-93	TRANSISTOR 2SB733-34	
				Q832	8-729-027-43	TRANSISTOR DTC114EKA-T146	
				Q841	8-729-140-93	TRANSISTOR 2SB733-34	
				Q842	8-729-027-43	TRANSISTOR DTC114EKA-T146	
A-4734-006-A	CIS BOARD, COMPLETE (US, CND)					< RESISTOR/THERMISTOR >	
		< CAPACITOR/SHORT >		R801	1-216-073-00	RES-CHIP 1K 5%	1/10W
				R802	1-216-001-00	RES-CHIP 10 5%	1/10W
C801	1-126-947-11	ELECT	47uF 20%	R803	1-216-097-11	RES-CHIP 100K 5%	1/10W
C802	1-165-319-11	CERAMIC CHIP	0.1uF 50V	R804	1-216-073-00	RES-CHIP 1K 5%	1/10W
C803	1-126-961-11	ELECT	2.2uF 20%	R805	1-216-097-11	RES-CHIP 100K 5%	1/10W
C804	1-126-947-11	ELECT	47uF 20%				
C805	1-165-319-11	CERAMIC CHIP	0.1uF 50V	R806	1-216-025-11	RES-CHIP 100 5%	1/10W
				R807	1-216-025-11	RES-CHIP 100 5%	1/10W
C821	1-126-960-11	ELECT	1uF 20%	R821	1-801-726-11	THERMISTOR, POSITIVE	
C831	1-126-960-11	ELECT	1uF 20%	R822	1-216-073-00	RES-CHIP 1K 5%	1/10W
C841	1-126-960-11	ELECT	1uF 20%	R823	1-216-057-00	RES-CHIP 2.2K 5%	1/10W
C851	1-126-767-11	ELECT	1000uF 20%				
C852	1-165-319-11	CERAMIC CHIP	0.1uF 50V	R824	1-216-073-00	RES-CHIP 1K 5%	1/10W
				R825	1-216-025-11	RES-CHIP 100 5%	1/10W
C861	1-216-295-00	SHORT CHIP	0	R831	1-801-726-11	THERMISTOR, POSITIVE	
C862	1-163-133-00	CERAMIC CHIP	470PF 5%	R832	1-216-073-00	RES-CHIP 1K 5%	1/10W
C863	1-163-133-00	CERAMIC CHIP	470PF 5%	R833	1-216-057-00	RES-CHIP 2.2K 5%	1/10W
C864	1-126-963-11	ELECT	4.7uF 20%				
C865	1-165-319-11	CERAMIC CHIP	0.1uF 50V	R834	1-216-073-00	RES-CHIP 1K 5%	1/10W
				R835	1-216-025-11	RES-CHIP 100 5%	1/10W
C866	1-216-295-00	SHORT CHIP	0	R841	1-801-726-11	THERMISTOR, POSITIVE	
C867	1-216-295-00	SHORT CHIP	0	R842	1-216-073-00	RES-CHIP 1K 5%	1/10W
C868	1-216-295-00	SHORT CHIP	0	R843	1-216-057-00	RES-CHIP 2.2K 5%	1/10W
		< CONNECTOR >					
CN801	1-568-826-11	CONNECTOR, FFC 7P		R844	1-216-073-00	RES-CHIP 1K 5%	1/10W
CN851	1-564-505-11	PLUG, CONNECTOR 2P		R845	1-216-025-11	RES-CHIP 100 5%	1/10W
		< DIODE >		R861	1-216-049-11	RES-CHIP 1K 5%	1/10W
				R862	1-216-049-11	RES-CHIP 1K 5%	1/10W
D801	8-719-988-61	DIODE 1SS355TE-17		R863	1-216-049-11	RES-CHIP 1K 5%	1/10W
D802	8-719-075-86	LED SID307BRTP19					
		(REMOTE CONTROL TRANSCEIVER)		R864	1-216-049-11	RES-CHIP 1K 5%	1/10W
D803	8-719-988-61	DIODE 1SS355TE-17		R865	1-216-049-11	RES-CHIP 1K 5%	1/10W

STR-DA5000ES

D-AMP

Ref. No.	Part No.	Description	Remark	Ref. No.	Part No.	Description	Remark
	A-4734-017-A	D-AMP BOARD, COMPLETE (US, CND)		C1361	1-100-156-91	CERAMIC CHIP 680PF 5%	100V
	A-4734-075-A	D-AMP BOARD, COMPLETE (TW, CH)		C1362	1-100-156-91	CERAMIC CHIP 680PF 5%	100V
	A-4734-093-A	D-AMP BOARD, COMPLETE (AEP)		C1363	1-100-156-91	CERAMIC CHIP 680PF 5%	100V

	1-400-584-11	BEAD, FERRITE		C1364	1-100-156-91	CERAMIC CHIP 680PF 5%	100V
*	3-309-144-21	HEAT SINK		C1365	1-100-156-91	CERAMIC CHIP 680PF 5%	100V
	4-857-425-00	BUSHING, O3P INSULATING		C1366	1-100-156-91	CERAMIC CHIP 680PF 5%	100V
*	4-880-403-11	HEAT SINK		C1367	1-100-156-91	CERAMIC CHIP 680PF 5%	100V
	7-685-646-79	SCREW +BVTP 3X8 TYPE2 IT-3		C1369	1-100-188-11	MYLAR 0.75uF 5%	250V
	< CAPACITOR/SHORT >						
C1301	1-100-187-11	MYLAR 0.27uF 5%	250V	C1371	1-100-156-91	CERAMIC CHIP 680PF 5%	100V
C1302	1-100-187-11	MYLAR 0.27uF 5%	250V	C1372	1-100-156-91	CERAMIC CHIP 680PF 5%	100V
C1303	1-100-187-11	MYLAR 0.27uF 5%	250V	C1373	1-100-156-91	CERAMIC CHIP 680PF 5%	100V
C1304	1-100-187-11	MYLAR 0.27uF 5%	250V	C1374	1-100-156-91	CERAMIC CHIP 680PF 5%	100V
C1305	1-100-187-11	MYLAR 0.27uF 5%	250V	C1375	1-100-156-91	CERAMIC CHIP 680PF 5%	100V
C1306	1-100-187-11	MYLAR 0.27uF 5%	250V	C1376	1-100-156-91	CERAMIC CHIP 680PF 5%	100V
C1307	1-100-187-11	MYLAR 0.27uF 5%	250V	C1377	1-100-156-91	CERAMIC CHIP 680PF 5%	100V
C1311	1-100-187-11	MYLAR 0.27uF 5%	250V	C1379	1-100-188-11	MYLAR 0.75uF 5%	250V
C1312	1-100-187-11	MYLAR 0.27uF 5%	250V	C1381	1-100-156-91	CERAMIC CHIP 680PF 5%	100V
C1313	1-100-187-11	MYLAR 0.27uF 5%	250V	C1382	1-100-156-91	CERAMIC CHIP 680PF 5%	100V
C1314	1-100-187-11	MYLAR 0.27uF 5%	250V	C1383	1-100-156-91	CERAMIC CHIP 680PF 5%	100V
C1315	1-100-187-11	MYLAR 0.27uF 5%	250V	C1384	1-100-156-91	CERAMIC CHIP 680PF 5%	100V
C1316	1-100-187-11	MYLAR 0.27uF 5%	250V	C1385	1-100-156-91	CERAMIC CHIP 680PF 5%	100V
C1317	1-100-187-11	MYLAR 0.27uF 5%	250V	C1386	1-100-156-91	CERAMIC CHIP 680PF 5%	100V
C1319	1-100-188-11	MYLAR 0.75uF 5%	250V	C1387	1-100-156-91	CERAMIC CHIP 680PF 5%	100V
C1321	1-100-156-91	CERAMIC CHIP 680PF 5%	100V	C1391	1-100-156-91	CERAMIC CHIP 680PF 5%	100V
C1322	1-100-156-91	CERAMIC CHIP 680PF 5%	100V	C1392	1-100-156-91	CERAMIC CHIP 680PF 5%	100V
C1323	1-100-156-91	CERAMIC CHIP 680PF 5%	100V	C1393	1-100-156-91	CERAMIC CHIP 680PF 5%	100V
C1324	1-100-156-91	CERAMIC CHIP 680PF 5%	100V	C1394	1-100-156-91	CERAMIC CHIP 680PF 5%	100V
C1325	1-100-156-91	CERAMIC CHIP 680PF 5%	100V	C1395	1-100-156-91	CERAMIC CHIP 680PF 5%	100V
C1326	1-100-156-91	CERAMIC CHIP 680PF 5%	100V	C1396	1-100-156-91	CERAMIC CHIP 680PF 5%	100V
C1327	1-100-156-91	CERAMIC CHIP 680PF 5%	100V	C1397	1-100-156-91	CERAMIC CHIP 680PF 5%	100V
C1329	1-100-188-11	MYLAR 0.75uF 5%	250V	C1400	1-119-824-31	ELECT 10uF 20%	50V
C1331	1-100-156-91	CERAMIC CHIP 680PF 5%	100V				(AEP)
C1332	1-100-156-91	CERAMIC CHIP 680PF 5%	100V	C1400	1-119-824-11	ELECT 10uF 20%	50V
C1333	1-100-156-91	CERAMIC CHIP 680PF 5%	100V				(US, CND)
C1334	1-100-156-91	CERAMIC CHIP 680PF 5%	100V	C1400	1-135-743-11	ELECT 10uF	50V
C1335	1-100-156-91	CERAMIC CHIP 680PF 5%	100V				(TW, CH)
C1336	1-100-156-91	CERAMIC CHIP 680PF 5%	100V	C1401	1-100-621-11	ELECT 470uF 20%	10V
C1337	1-100-156-91	CERAMIC CHIP 680PF 5%	100V	C1402	1-100-621-11	ELECT 470uF 20%	10V
C1339	1-100-188-11	MYLAR 0.75uF 5%	250V	C1403	1-100-621-11	ELECT 470uF 20%	10V
C1341	1-100-156-91	CERAMIC CHIP 680PF 5%	100V	C1404	1-100-621-11	ELECT 470uF 20%	10V
C1342	1-100-156-91	CERAMIC CHIP 680PF 5%	100V	C1406	1-162-974-11	CERAMIC CHIP 0.01uF	50V
C1343	1-100-156-91	CERAMIC CHIP 680PF 5%	100V	C1407	1-162-974-11	CERAMIC CHIP 0.01uF	50V
C1344	1-100-156-91	CERAMIC CHIP 680PF 5%	100V	C1408	1-162-974-11	CERAMIC CHIP 0.01uF	50V
C1345	1-100-156-91	CERAMIC CHIP 680PF 5%	100V	C1409	1-162-974-11	CERAMIC CHIP 0.01uF	50V
C1346	1-100-156-91	CERAMIC CHIP 680PF 5%	100V	C1410	1-164-156-11	CERAMIC CHIP 0.1uF	25V
C1347	1-100-156-91	CERAMIC CHIP 680PF 5%	100V	C1411	1-164-156-11	CERAMIC CHIP 0.1uF	25V
C1349	1-100-188-11	MYLAR 0.75uF 5%	250V	C1412	1-164-156-11	CERAMIC CHIP 0.1uF	25V
C1351	1-100-156-91	CERAMIC CHIP 680PF 5%	100V	C1413	1-164-156-11	CERAMIC CHIP 0.1uF	25V
C1352	1-100-156-91	CERAMIC CHIP 680PF 5%	100V	C1414	1-164-156-11	CERAMIC CHIP 0.1uF	25V
C1353	1-100-156-91	CERAMIC CHIP 680PF 5%	100V	C1416	1-164-156-11	CERAMIC CHIP 0.1uF	25V
C1354	1-100-156-91	CERAMIC CHIP 680PF 5%	100V	C1417	1-164-156-11	CERAMIC CHIP 0.1uF	25V
C1355	1-100-156-91	CERAMIC CHIP 680PF 5%	100V	C1418	1-164-156-11	CERAMIC CHIP 0.1uF	25V
C1356	1-100-156-91	CERAMIC CHIP 680PF 5%	100V	C1419	1-164-156-11	CERAMIC CHIP 0.1uF	25V
C1357	1-100-156-91	CERAMIC CHIP 680PF 5%	100V	C1421	1-162-974-11	CERAMIC CHIP 0.01uF	50V
C1359	1-100-188-11	MYLAR 0.75uF 5%	250V	C1422	1-162-974-11	CERAMIC CHIP 0.01uF	50V
				C1423	1-162-974-11	CERAMIC CHIP 0.01uF	50V
				C1424	1-162-974-11	CERAMIC CHIP 0.01uF	50V
				C1426	1-162-962-11	CERAMIC CHIP 470PF 10%	50V

D-AMP

Ref. No.	Part No.	Description	Remark	Ref. No.	Part No.	Description	Remark
C1427	1-162-962-11	CERAMIC CHIP	470PF 10% 50V	C1495	1-162-927-11	CERAMIC CHIP	100PF 5% 50V
C1428	1-162-962-11	CERAMIC CHIP	470PF 10% 50V	C1496	1-162-927-11	CERAMIC CHIP	100PF 5% 50V
C1429	1-162-962-11	CERAMIC CHIP	470PF 10% 50V	C1497	1-128-832-11	ELECT	220uF 20% 10V (EXCEPT AEP)
C1431	1-100-621-11	ELECT	470uF 20% 10V	C1497	1-135-667-91	ELECT	220uF 10V (AEP)
C1436	1-164-156-11	CERAMIC CHIP	0.1uF 25V	C1498	1-128-832-11	ELECT	220uF 20% 10V (EXCEPT AEP)
C1437	1-164-156-11	CERAMIC CHIP	0.1uF 25V	C1498	1-135-667-91	ELECT	220uF 10V (AEP)
C1438	1-164-156-11	CERAMIC CHIP	0.1uF 25V	C1499	1-164-156-11	CERAMIC CHIP	0.1uF 25V
C1439	1-164-156-11	CERAMIC CHIP	0.1uF 25V	C1501	1-162-968-11	CERAMIC CHIP	0.0047uF 10% 50V
C1441	1-164-156-11	CERAMIC CHIP	0.1uF 25V	C1502	1-162-968-11	CERAMIC CHIP	0.0047uF 10% 50V
C1442	1-164-156-11	CERAMIC CHIP	0.1uF 25V	C1511	1-162-924-11	CERAMIC CHIP	56PF 5% 50V
C1443	1-164-156-11	CERAMIC CHIP	0.1uF 25V	C1512	1-162-924-11	CERAMIC CHIP	56PF 5% 50V
C1444	1-164-156-11	CERAMIC CHIP	0.1uF 25V	C1513	1-162-924-11	CERAMIC CHIP	56PF 5% 50V
C1446	1-100-621-11	ELECT	470uF 20% 10V	C1514	1-162-924-11	CERAMIC CHIP	56PF 5% 50V
C1447	1-100-621-11	ELECT	470uF 20% 10V	C1515	1-162-924-11	CERAMIC CHIP	56PF 5% 50V
C1448	1-100-621-11	ELECT	470uF 20% 10V	C1516	1-162-924-11	CERAMIC CHIP	56PF 5% 50V
C1449	1-100-621-11	ELECT	470uF 20% 10V	C1517	1-162-924-11	CERAMIC CHIP	56PF 5% 50V
C1451	1-164-156-11	CERAMIC CHIP	0.1uF 25V	C1521	1-162-924-11	CERAMIC CHIP	56PF 5% 50V
C1452	1-164-156-11	CERAMIC CHIP	0.1uF 25V	C1522	1-162-924-11	CERAMIC CHIP	56PF 5% 50V
C1453	1-164-156-11	CERAMIC CHIP	0.1uF 25V	C1523	1-162-924-11	CERAMIC CHIP	56PF 5% 50V
C1454	1-164-156-11	CERAMIC CHIP	0.1uF 25V	C1524	1-162-924-11	CERAMIC CHIP	56PF 5% 50V
C1456	1-162-974-11	CERAMIC CHIP	0.01uF 50V	C1525	1-162-924-11	CERAMIC CHIP	56PF 5% 50V
C1457	1-162-974-11	CERAMIC CHIP	0.01uF 50V	C1526	1-162-924-11	CERAMIC CHIP	56PF 5% 50V
C1458	1-162-974-11	CERAMIC CHIP	0.01uF 50V	C1527	1-162-924-11	CERAMIC CHIP	56PF 5% 50V
C1459	1-162-974-11	CERAMIC CHIP	0.01uF 50V	C1531	1-162-924-11	CERAMIC CHIP	56PF 5% 50V
C1461	1-164-156-11	CERAMIC CHIP	0.1uF 25V	C1532	1-162-924-11	CERAMIC CHIP	56PF 5% 50V
C1462	1-164-156-11	CERAMIC CHIP	0.1uF 25V	C1533	1-162-924-11	CERAMIC CHIP	56PF 5% 50V
C1463	1-164-156-11	CERAMIC CHIP	0.1uF 25V	C1534	1-162-924-11	CERAMIC CHIP	56PF 5% 50V
C1464	1-164-156-11	CERAMIC CHIP	0.1uF 25V	C1535	1-162-924-11	CERAMIC CHIP	56PF 5% 50V
C1466	1-162-974-11	CERAMIC CHIP	0.01uF 50V	C1536	1-162-924-11	CERAMIC CHIP	56PF 5% 50V
C1467	1-162-974-11	CERAMIC CHIP	0.01uF 50V	C1537	1-162-924-11	CERAMIC CHIP	56PF 5% 50V
C1468	1-162-974-11	CERAMIC CHIP	0.01uF 50V	C1541	1-162-924-11	CERAMIC CHIP	56PF 5% 50V
C1469	1-162-974-11	CERAMIC CHIP	0.01uF 50V	C1542	1-162-924-11	CERAMIC CHIP	56PF 5% 50V
C1470	1-100-621-11	ELECT	470uF 20% 10V	C1543	1-162-924-11	CERAMIC CHIP	56PF 5% 50V
C1471	1-162-908-11	CERAMIC CHIP	3PF 0.25PF 50V	C1544	1-162-924-11	CERAMIC CHIP	56PF 5% 50V
C1472	1-115-416-11	CERAMIC CHIP	0.001uF 5% 25V	C1545	1-162-924-11	CERAMIC CHIP	56PF 5% 50V
C1473	1-162-915-11	CERAMIC CHIP	10PF 0.5PF 50V	C1546	1-162-924-11	CERAMIC CHIP	56PF 5% 50V
C1476	1-164-156-11	CERAMIC CHIP	0.1uF 25V	C1547	1-162-924-11	CERAMIC CHIP	56PF 5% 50V
C1480	1-119-799-11	ELECT	47uF 20% 25V (EXCEPT AEP)	C1551	1-164-156-11	CERAMIC CHIP	0.1uF 25V
C1480	1-135-680-91	ELECT	47uF 25V (AEP)	C1552	1-164-156-11	CERAMIC CHIP	0.1uF 25V
C1481	1-162-960-11	CERAMIC CHIP	220PF 10% 50V	C1553	1-164-156-11	CERAMIC CHIP	0.1uF 25V
C1482	1-162-960-11	CERAMIC CHIP	220PF 10% 50V	C1554	1-164-156-11	CERAMIC CHIP	0.1uF 25V
C1483	1-117-720-11	CERAMIC CHIP	4.7uF 10V	C1555	1-164-156-11	CERAMIC CHIP	0.1uF 25V
C1484	1-117-720-11	CERAMIC CHIP	4.7uF 10V	C1556	1-164-156-11	CERAMIC CHIP	0.1uF 25V
C1485	1-117-720-11	CERAMIC CHIP	4.7uF 10V	C1557	1-164-156-11	CERAMIC CHIP	0.1uF 25V
C1486	1-117-720-11	CERAMIC CHIP	4.7uF 10V	C1561	1-164-156-11	CERAMIC CHIP	0.1uF 25V
C1487	1-162-927-11	CERAMIC CHIP	100PF 5% 50V	C1562	1-164-156-11	CERAMIC CHIP	0.1uF 25V
C1488	1-162-927-11	CERAMIC CHIP	100PF 5% 50V	C1563	1-164-156-11	CERAMIC CHIP	0.1uF 25V
C1489	1-128-832-11	ELECT	220uF 20% 10V (EXCEPT AEP)	C1564	1-164-156-11	CERAMIC CHIP	0.1uF 25V
C1489	1-135-667-91	ELECT	220uF 10V (AEP)	C1565	1-164-156-11	CERAMIC CHIP	0.1uF 25V
C1490	1-164-156-11	CERAMIC CHIP	0.1uF 25V	C1566	1-164-156-11	CERAMIC CHIP	0.1uF 25V
C1491	1-162-927-11	CERAMIC CHIP	100PF 5% 50V	C1567	1-164-156-11	CERAMIC CHIP	0.1uF 25V
C1492	1-162-927-11	CERAMIC CHIP	100PF 5% 50V	C1571	1-100-621-11	ELECT	470uF 20% 10V
C1493	1-162-964-11	CERAMIC CHIP	0.001uF 10% 50V	C1572	1-100-621-11	ELECT	470uF 20% 10V
C1494	1-162-964-11	CERAMIC CHIP	0.001uF 10% 50V	C1573	1-100-621-11	ELECT	470uF 20% 10V

STR-DA5000ES

D-AMP

Ref. No.	Part No.	Description			Remark	Ref. No.	Part No.	Description			Remark
C1574	1-100-621-11	ELECT	470uF	20%	10V	C1667	1-100-623-91	CERAMIC CHIP	0.1uF	10%	100V
C1575	1-100-621-11	ELECT	470uF	20%	10V	C1671	1-100-623-91	CERAMIC CHIP	0.1uF	10%	100V
C1576	1-100-621-11	ELECT	470uF	20%	10V						
C1577	1-100-621-11	ELECT	470uF	20%	10V	C1672	1-100-623-91	CERAMIC CHIP	0.1uF	10%	100V
C1581	1-100-621-11	ELECT	470uF	20%	10V	C1673	1-100-623-91	CERAMIC CHIP	0.1uF	10%	100V
						C1674	1-100-623-91	CERAMIC CHIP	0.1uF	10%	100V
C1582	1-100-621-11	ELECT	470uF	20%	10V	C1675	1-100-623-91	CERAMIC CHIP	0.1uF	10%	100V
C1583	1-100-621-11	ELECT	470uF	20%	10V	C1676	1-100-623-91	CERAMIC CHIP	0.1uF	10%	100V
C1584	1-100-621-11	ELECT	470uF	20%	10V						
C1585	1-100-621-11	ELECT	470uF	20%	10V	C1677	1-100-623-91	CERAMIC CHIP	0.1uF	10%	100V
C1586	1-100-621-11	ELECT	470uF	20%	10V	C1681	1-100-623-91	CERAMIC CHIP	0.1uF	10%	100V
						C1682	1-100-623-91	CERAMIC CHIP	0.1uF	10%	100V
C1587	1-100-621-11	ELECT	470uF	20%	10V	C1683	1-100-623-91	CERAMIC CHIP	0.1uF	10%	100V
C1591	1-164-156-11	CERAMIC CHIP	0.1uF		25V	C1684	1-100-623-91	CERAMIC CHIP	0.1uF	10%	100V
C1592	1-164-156-11	CERAMIC CHIP	0.1uF		25V						
C1593	1-164-156-11	CERAMIC CHIP	0.1uF		25V	C1685	1-100-623-91	CERAMIC CHIP	0.1uF	10%	100V
C1594	1-164-156-11	CERAMIC CHIP	0.1uF		25V	C1686	1-100-623-91	CERAMIC CHIP	0.1uF	10%	100V
						C1687	1-100-623-91	CERAMIC CHIP	0.1uF	10%	100V
C1595	1-164-156-11	CERAMIC CHIP	0.1uF		25V	C1691	1-100-622-21	MYLAR	0.1uF	5%	100V
C1596	1-164-156-11	CERAMIC CHIP	0.1uF		25V						(AEP)
C1597	1-164-156-11	CERAMIC CHIP	0.1uF		25V	C1691	1-130-777-00	MYLAR	0.1uF	5%	100V
C1601	1-164-156-11	CERAMIC CHIP	0.1uF		25V						(EXCEPT AEP)
C1602	1-164-156-11	CERAMIC CHIP	0.1uF		25V						
						C1692	1-100-622-21	MYLAR	0.1uF	5%	100V
C1603	1-164-156-11	CERAMIC CHIP	0.1uF		25V						(AEP)
C1604	1-164-156-11	CERAMIC CHIP	0.1uF		25V	C1692	1-130-777-00	MYLAR	0.1uF	5%	100V
C1605	1-164-156-11	CERAMIC CHIP	0.1uF		25V						(EXCEPT AEP)
C1606	1-164-156-11	CERAMIC CHIP	0.1uF		25V	C1693	1-100-622-21	MYLAR	0.1uF	5%	100V
C1607	1-164-156-11	CERAMIC CHIP	0.1uF		25V						(AEP)
						C1693	1-130-777-00	MYLAR	0.1uF	5%	100V
C1610	1-164-156-11	CERAMIC CHIP	0.1uF		25V						(EXCEPT AEP)
C1611	1-164-245-11	CERAMIC CHIP	0.015uF	10%	25V	C1694	1-100-622-21	MYLAR	0.1uF	5%	100V
C1612	1-164-245-11	CERAMIC CHIP	0.015uF	10%	25V						(AEP)
C1613	1-164-245-11	CERAMIC CHIP	0.015uF	10%	25V						
C1614	1-164-245-11	CERAMIC CHIP	0.015uF	10%	25V	C1694	1-130-777-00	MYLAR	0.1uF	5%	100V
											(EXCEPT AEP)
C1615	1-164-245-11	CERAMIC CHIP	0.015uF	10%	25V	C1695	1-100-622-21	MYLAR	0.1uF	5%	100V
C1616	1-164-245-11	CERAMIC CHIP	0.015uF	10%	25V						(AEP)
C1617	1-164-245-11	CERAMIC CHIP	0.015uF	10%	25V	C1695	1-130-777-00	MYLAR	0.1uF	5%	100V
C1620	1-164-156-11	CERAMIC CHIP	0.1uF		25V						(EXCEPT AEP)
C1621	1-164-245-11	CERAMIC CHIP	0.015uF	10%	25V	C1696	1-100-622-21	MYLAR	0.1uF	5%	100V
											(AEP)
C1622	1-164-245-11	CERAMIC CHIP	0.015uF	10%	25V	C1696	1-130-777-00	MYLAR	0.1uF	5%	100V
C1623	1-164-245-11	CERAMIC CHIP	0.015uF	10%	25V						(EXCEPT AEP)
C1624	1-164-245-11	CERAMIC CHIP	0.015uF	10%	25V						
C1625	1-164-245-11	CERAMIC CHIP	0.015uF	10%	25V	C1697	1-100-622-21	MYLAR	0.1uF	5%	100V
C1626	1-164-245-11	CERAMIC CHIP	0.015uF	10%	25V						(AEP)
						C1697	1-130-777-00	MYLAR	0.1uF	5%	100V
C1627	1-164-245-11	CERAMIC CHIP	0.015uF	10%	25V						(EXCEPT AEP)
C1630	1-164-156-11	CERAMIC CHIP	0.1uF		25V	C1701	1-100-622-21	MYLAR	0.1uF	5%	100V
C1640	1-164-156-11	CERAMIC CHIP	0.1uF		25V						(AEP)
C1650	1-164-156-11	CERAMIC CHIP	0.1uF		25V	C1701	1-130-777-00	MYLAR	0.1uF	5%	100V
C1651	1-100-623-91	CERAMIC CHIP	0.1uF	10%	100V						(EXCEPT AEP)
						C1702	1-100-622-21	MYLAR	0.1uF	5%	100V
C1652	1-100-623-91	CERAMIC CHIP	0.1uF	10%	100V						(AEP)
C1653	1-100-623-91	CERAMIC CHIP	0.1uF	10%	100V						
C1654	1-100-623-91	CERAMIC CHIP	0.1uF	10%	100V	C1702	1-130-777-00	MYLAR	0.1uF	5%	100V
C1655	1-100-623-91	CERAMIC CHIP	0.1uF	10%	100V						(EXCEPT AEP)
C1656	1-100-623-91	CERAMIC CHIP	0.1uF	10%	100V	C1703	1-100-622-21	MYLAR	0.1uF	5%	100V
											(AEP)
C1657	1-100-623-91	CERAMIC CHIP	0.1uF	10%	100V	C1703	1-130-777-00	MYLAR	0.1uF	5%	100V
C1660	1-164-156-11	CERAMIC CHIP	0.1uF		25V						(EXCEPT AEP)
C1661	1-100-623-91	CERAMIC CHIP	0.1uF	10%	100V	C1704	1-100-622-21	MYLAR	0.1uF	5%	100V
C1662	1-100-623-91	CERAMIC CHIP	0.1uF	10%	100V						(AEP)
C1663	1-100-623-91	CERAMIC CHIP	0.1uF	10%	100V	C1704	1-130-777-00	MYLAR	0.1uF	5%	100V
											(EXCEPT AEP)
C1664	1-100-623-91	CERAMIC CHIP	0.1uF	10%	100V						
C1665	1-100-623-91	CERAMIC CHIP	0.1uF	10%	100V	C1705	1-100-622-21	MYLAR	0.1uF	5%	100V
C1666	1-100-623-91	CERAMIC CHIP	0.1uF	10%	100V						(AEP)

D-AMP

Ref. No.	Part No.	Description	Remark	Ref. No.	Part No.	Description	Remark
C1705	1-130-777-00	MYLAR	0.1uF 5% 100V (EXCEPT AEP)	C1734	1-162-966-11	CERAMIC CHIP	0.0022uF 10% 50V
C1706	1-100-622-21	MYLAR	0.1uF 5% 100V (AEP)	C1735	1-162-966-11	CERAMIC CHIP	0.0022uF 10% 50V
C1706	1-130-777-00	MYLAR	0.1uF 5% 100V (EXCEPT AEP)	C1736	1-162-966-11	CERAMIC CHIP	0.0022uF 10% 50V
C1707	1-100-622-21	MYLAR	0.1uF 5% 100V (AEP)	C1737	1-162-966-11	CERAMIC CHIP	0.0022uF 10% 50V
C1707	1-130-777-00	MYLAR	0.1uF 5% 100V (EXCEPT AEP)	C1741	1-100-188-11	MYLAR	0.75uF 5% 250V
C1711	1-107-937-11	ELECT	1000uF 20% 100V	C1742	1-100-188-11	MYLAR	0.75uF 5% 250V
C1712	1-107-937-11	ELECT	1000uF 20% 100V	C1743	1-100-188-11	MYLAR	0.75uF 5% 250V
C1713	1-107-936-11	ELECT	470uF 20% 100V (US, CND)	C1744	1-100-188-11	MYLAR	0.75uF 5% 250V
C1713	1-107-937-11	ELECT	1000uF 20% 100V (AEP, TW, CH)	C1745	1-100-188-11	MYLAR	0.75uF 5% 250V
C1714	1-107-936-11	ELECT	470uF 20% 100V (US, CND)	C1746	1-100-188-11	MYLAR	0.75uF 5% 250V
C1714	1-107-937-11	ELECT	1000uF 20% 100V (AEP, TW, CH)	C1747	1-100-188-11	MYLAR	0.75uF 5% 250V
C1715	1-107-936-11	ELECT	470uF 20% 100V (US, CND)	C1751	1-100-188-11	MYLAR	0.75uF 5% 250V
C1715	1-107-937-11	ELECT	1000uF 20% 100V (AEP, TW, CH)	C1752	1-100-188-11	MYLAR	0.75uF 5% 250V
C1716	1-107-936-11	ELECT	470uF 20% 100V (US, CND)	C1753	1-100-188-11	MYLAR	0.75uF 5% 250V
C1716	1-107-937-11	ELECT	1000uF 20% 100V (AEP, TW, CH)	C1754	1-100-188-11	MYLAR	0.75uF 5% 250V
C1717	1-107-936-11	ELECT	470uF 20% 100V (US, CND)	C1755	1-100-188-11	MYLAR	0.75uF 5% 250V
C1717	1-107-937-11	ELECT	1000uF 20% 100V (AEP, TW, CH)	C1756	1-100-188-11	MYLAR	0.75uF 5% 250V
C1721	1-100-622-21	MYLAR	0.1uF 5% 100V (AEP)	C1757	1-100-188-11	MYLAR	0.75uF 5% 250V
C1721	1-130-777-00	MYLAR	0.1uF 5% 100V (EXCEPT AEP)	C1761	1-100-156-91	CERAMIC CHIP	680PF 5% 100V
C1722	1-100-622-21	MYLAR	0.1uF 5% 100V (AEP)	C1762	1-100-156-91	CERAMIC CHIP	680PF 5% 100V
C1722	1-130-777-00	MYLAR	0.1uF 5% 100V (EXCEPT AEP)	C1763	1-100-156-91	CERAMIC CHIP	680PF 5% 100V
C1723	1-100-622-21	MYLAR	0.1uF 5% 100V (AEP)	C1764	1-100-156-91	CERAMIC CHIP	680PF 5% 100V
C1723	1-130-777-00	MYLAR	0.1uF 5% 100V (EXCEPT AEP)	C1766	1-100-156-91	CERAMIC CHIP	680PF 5% 100V
C1724	1-100-622-21	MYLAR	0.1uF 5% 100V (AEP)	C1767	1-100-156-91	CERAMIC CHIP	680PF 5% 100V
C1724	1-130-777-00	MYLAR	0.1uF 5% 100V (EXCEPT AEP)	C1768	1-100-156-91	CERAMIC CHIP	680PF 5% 100V
C1725	1-100-622-21	MYLAR	0.1uF 5% 100V (AEP)	C1769	1-100-156-91	CERAMIC CHIP	680PF 5% 100V
C1725	1-130-777-00	MYLAR	0.1uF 5% 100V (EXCEPT AEP)	C1771	1-100-156-91	CERAMIC CHIP	680PF 5% 100V
C1726	1-100-622-21	MYLAR	0.1uF 5% 100V (AEP)	C1772	1-100-156-91	CERAMIC CHIP	680PF 5% 100V
C1726	1-130-777-00	MYLAR	0.1uF 5% 100V (EXCEPT AEP)	C1773	1-100-156-91	CERAMIC CHIP	680PF 5% 100V
C1727	1-100-622-21	MYLAR	0.1uF 5% 100V (AEP)	C1774	1-100-156-91	CERAMIC CHIP	680PF 5% 100V
C1727	1-130-777-00	MYLAR	0.1uF 5% 100V (EXCEPT AEP)	C1776	1-100-156-91	CERAMIC CHIP	680PF 5% 100V
C1731	1-162-966-11	CERAMIC CHIP	0.0022uF 10% 50V	C1777	1-100-156-91	CERAMIC CHIP	680PF 5% 100V
C1732	1-162-966-11	CERAMIC CHIP	0.0022uF 10% 50V	C1778	1-100-156-91	CERAMIC CHIP	680PF 5% 100V
C1733	1-162-966-11	CERAMIC CHIP	0.0022uF 10% 50V	C1779	1-100-156-91	CERAMIC CHIP	680PF 5% 100V
				C1781	1-117-720-11	CERAMIC CHIP	4.7uF 10V
				C1782	1-117-720-11	CERAMIC CHIP	4.7uF 10V
				C1783	1-117-720-11	CERAMIC CHIP	4.7uF 10V
				C1784	1-117-720-11	CERAMIC CHIP	4.7uF 10V
				C1785	1-117-720-11	CERAMIC CHIP	4.7uF 10V
				C1786	1-117-720-11	CERAMIC CHIP	4.7uF 10V
				C1787	1-117-720-11	CERAMIC CHIP	4.7uF 10V
				C1791	1-164-156-11	CERAMIC CHIP	0.1uF 25V
				C1792	1-164-156-11	CERAMIC CHIP	0.1uF 25V
				C1793	1-164-156-11	CERAMIC CHIP	0.1uF 25V
				C1794	1-164-156-11	CERAMIC CHIP	0.1uF 25V
				C1795	1-164-156-11	CERAMIC CHIP	0.1uF 25V
				C1796	1-164-156-11	CERAMIC CHIP	0.1uF 25V
				C1800	1-119-824-31	ELECT	10uF 20% 50V (AEP)
				C1800	1-119-824-11	ELECT	10uF 20% 50V (US, CND)
				C1800	1-135-743-11	ELECT	10uF 50V (TW, CH)
				C1801	1-164-156-11	CERAMIC CHIP	0.1uF 25V
				C1802	1-164-156-11	CERAMIC CHIP	0.1uF 25V
				C1803	1-164-156-11	CERAMIC CHIP	0.1uF 25V
				C1804	1-162-974-11	CERAMIC CHIP	0.01uF 50V
				C1841	1-164-156-11	CERAMIC CHIP	0.1uF 25V

STR-DA5000ES

D-AMP

Ref. No.	Part No.	Description	Remark	Ref. No.	Part No.	Description	Remark
C1851	1-126-077-11	ELECT	100uF 20% 100V (AEP)	C1915	1-162-974-11	CERAMIC CHIP 0.01uF	50V
C1851	1-126-077-11	ELECT	100uF 20% 100V (US, CND)	C1916	1-162-974-11	CERAMIC CHIP 0.01uF	50V
C1851	1-135-730-51	ELECT	100uF 100V (TW, CH)	C1917	1-162-974-11	CERAMIC CHIP 0.01uF	50V
C1852	1-119-792-21	ELECT	470uF 20% 16V (AEP)	C1918	1-162-974-11	CERAMIC CHIP 0.01uF	50V
C1852	1-127-720-91	ELECT	470uF 20% 16V (US, CND)	C1940	1-164-156-11	CERAMIC CHIP 0.1uF	25V
C1852	1-135-711-91	ELECT	470uF 16V (TW, CH)	C1941	1-162-974-11	CERAMIC CHIP 0.01uF	50V
C1853	1-162-927-11	CERAMIC CHIP	100PF 5% 50V	C1942	1-162-974-11	CERAMIC CHIP 0.01uF	50V
C1854	1-119-792-21	ELECT	470uF 20% 16V (AEP)	C1944	1-162-974-11	CERAMIC CHIP 0.01uF	50V
C1854	1-127-720-91	ELECT	470uF 20% 16V (US, CND)	C1945	1-162-974-11	CERAMIC CHIP 0.01uF	50V
C1854	1-135-711-91	ELECT	470uF 16V (TW, CH)	C1946	1-162-974-11	CERAMIC CHIP 0.01uF	50V
C1855	1-162-927-11	CERAMIC CHIP	100PF 5% 50V	C1947	1-162-974-11	CERAMIC CHIP 0.01uF	50V
C1856	1-119-792-21	ELECT	470uF 20% 16V (AEP)	C1951	1-164-156-11	CERAMIC CHIP 0.1uF	25V
C1856	1-127-720-91	ELECT	470uF 20% 16V (US, CND)	C1952	1-164-156-11	CERAMIC CHIP 0.1uF	25V
C1856	1-135-711-91	ELECT	470uF 16V (TW, CH)	C1953	1-164-156-11	CERAMIC CHIP 0.1uF	25V
C1857	1-162-927-11	CERAMIC CHIP	100PF 5% 50V	C1954	1-164-156-11	CERAMIC CHIP 0.1uF	25V
C1858	1-119-792-21	ELECT	470uF 20% 16V (AEP)	C1955	1-164-156-11	CERAMIC CHIP 0.1uF	25V
C1858	1-127-720-91	ELECT	470uF 20% 16V (US, CND)	C1956	1-164-156-11	CERAMIC CHIP 0.1uF	25V
C1858	1-135-711-91	ELECT	470uF 16V (TW, CH)	C1961	1-119-824-31	ELECT 10uF	20% 50V (AEP)
C1880	1-119-792-21	ELECT	470uF 20% 16V (AEP)	C1961	1-119-824-11	ELECT 10uF	20% 50V (US, CND)
C1880	1-127-720-91	ELECT	470uF 20% 16V (US, CND)	C1961	1-135-743-11	ELECT 10uF	50V (TW, CH)
C1880	1-135-711-91	ELECT	470uF 16V (TW, CH)	C1963	1-119-800-11	ELECT 100uF	20% 25V (AEP)
C1881	1-216-295-00	SHORT CHIP	0	C1963	1-127-718-91	ELECT 100uF	20% 16V (US, CND)
C1884	1-216-295-00	SHORT CHIP	0	C1963	1-135-709-91	ELECT 100uF	16V (TW, CH)
C1891	1-164-156-11	CERAMIC CHIP	0.1uF 25V	C1965	1-117-720-11	CERAMIC CHIP 4.7uF	10V
C1892	1-119-799-11	ELECT	47uF 20% 25V (EXCEPT AEP)	C1966	1-119-800-11	ELECT 100uF	20% 25V (AEP)
C1892	1-135-680-91	ELECT	47uF 25V (AEP)	C1966	1-127-718-91	ELECT 100uF	20% 16V (US, CND)
C1893	1-117-720-11	CERAMIC CHIP	4.7uF 10V	C1966	1-135-709-91	ELECT 100uF	16V (TW, CH)
C1900	1-164-156-11	CERAMIC CHIP	0.1uF 25V	C1970	1-164-156-11	CERAMIC CHIP 0.1uF	25V
C1901	1-162-974-11	CERAMIC CHIP	0.01uF 50V	C1980	1-164-156-11	CERAMIC CHIP 0.1uF	25V
C1902	1-162-974-11	CERAMIC CHIP	0.01uF 50V	C2851	1-164-156-11	CERAMIC CHIP 0.1uF	25V (EXCEPT US, CND)
C1903	1-162-974-11	CERAMIC CHIP	0.01uF 50V	C2872	1-163-021-11	CERAMIC CHIP 0.01uF	10% 50V (EXCEPT US, CND)
C1904	1-162-974-11	CERAMIC CHIP	0.01uF 50V	C2873	1-162-966-11	CERAMIC CHIP 0.0022uF	10% 50V (EXCEPT US, CND)
C1905	1-162-974-11	CERAMIC CHIP	0.01uF 50V	C2874	1-162-966-11	CERAMIC CHIP 0.0022uF	10% 50V (EXCEPT US, CND)
C1906	1-162-974-11	CERAMIC CHIP	0.01uF 50V	C2885	1-119-825-41	ELECT 22uF	20% 50V (AEP)
C1907	1-162-974-11	CERAMIC CHIP	0.01uF 50V	C2885	1-135-744-91	ELECT 22uF	50V (TW, CH)
C1908	1-162-974-11	CERAMIC CHIP	0.01uF 50V	C2886	1-119-800-11	ELECT 100uF	20% 25V (AEP)
C1910	1-164-156-11	CERAMIC CHIP	0.1uF 25V	C2886	1-135-709-91	ELECT 100uF	16V (TW, CH)
C1911	1-162-974-11	CERAMIC CHIP	0.01uF 50V	C2887	1-137-505-11	MYLAR 220PF	5% 100V (EXCEPT US, CND)
C1912	1-162-974-11	CERAMIC CHIP	0.01uF 50V	C2888	1-119-825-41	ELECT 22uF	20% 50V (AEP)
C1913	1-162-974-11	CERAMIC CHIP	0.01uF 50V	C2888	1-135-744-91	ELECT 22uF	50V (TW, CH)

Ref. No.	Part No.	Description	Remark	Ref. No.	Part No.	Description	Remark
C2889	1-162-927-11	CERAMIC CHIP 100PF	5% 50V (EXCEPT US, CND)	FB1414	1-414-760-21	FERRITE, EMI (SMD) (1608)	
< CONNECTOR >				FB1416	1-414-760-21	FERRITE, EMI (SMD) (1608)	
CN1480	1-779-978-11	PIN, CONNECTOR 3P		FB1417	1-414-760-21	FERRITE, EMI (SMD) (1608)	
CN1853	1-784-922-11	PIN, CONNECTOR 5P		FB1418	1-414-760-21	FERRITE, EMI (SMD) (1608)	
CN1901	1-784-796-11	CONNECTOR, FFC 35P		FB1419	1-414-760-21	FERRITE, EMI (SMD) (1608)	
CN1902	1-784-786-11	CONNECTOR, FFC 25P		FB1420	1-414-760-21	FERRITE, EMI (SMD) (1608)	
CN1903	1-784-923-11	PIN, CONNECTOR 7P		FB1421	1-414-656-11	FERRITE, EMI (SMD) (1608)	
< DIODE >				FB1426	1-414-656-11	FERRITE, EMI (SMD) (1608)	
D1316	8-719-016-74	DIODE 1SS352		FB1427	1-414-656-11	FERRITE, EMI (SMD) (1608)	
D1317	8-719-016-74	DIODE 1SS352		FB1428	1-414-656-11	FERRITE, EMI (SMD) (1608)	
D1318	8-719-016-74	DIODE 1SS352		FB1431	1-414-760-21	FERRITE, EMI (SMD) (1608)	
D1319	8-719-016-74	DIODE 1SS352		FB1470	1-414-760-21	FERRITE, EMI (SMD) (1608)	
D1320	8-719-016-74	DIODE 1SS352		FB1480	1-414-445-11	FERRITE, EMI (SMD) (1608)	
D1321	8-719-016-74	DIODE 1SS352		FB1510	1-414-760-21	FERRITE, EMI (SMD) (1608)	
D1322	8-719-016-74	DIODE 1SS352		FB1520	1-414-445-11	FERRITE, EMI (SMD) (1608)	
D1470	8-719-049-09	DIODE 1SS367-T3SONY		FB1521	1-414-760-21	FERRITE, EMI (SMD) (1608)	
D1480	8-719-016-74	DIODE 1SS352		FB1522	1-414-760-21	FERRITE, EMI (SMD) (1608)	
D1490	8-719-016-74	DIODE 1SS352		FB1523	1-414-760-21	FERRITE, EMI (SMD) (1608)	
D1521	8-719-049-09	DIODE 1SS367-T3SONY		FB1524	1-414-760-21	FERRITE, EMI (SMD) (1608)	
D1522	8-719-049-09	DIODE 1SS367-T3SONY		FB1525	1-414-760-21	FERRITE, EMI (SMD) (1608)	
D1523	8-719-049-09	DIODE 1SS367-T3SONY		FB1526	1-414-760-21	FERRITE, EMI (SMD) (1608)	
D1524	8-719-049-09	DIODE 1SS367-T3SONY		FB1527	1-414-760-21	FERRITE, EMI (SMD) (1608)	
D1525	8-719-049-09	DIODE 1SS367-T3SONY		FB1531	1-414-760-21	FERRITE, EMI (SMD) (1608)	
D1526	8-719-049-09	DIODE 1SS367-T3SONY		FB1532	1-414-760-21	FERRITE, EMI (SMD) (1608)	
D1527	8-719-049-09	DIODE 1SS367-T3SONY		FB1533	1-414-760-21	FERRITE, EMI (SMD) (1608)	
D1531	8-719-049-09	DIODE 1SS367-T3SONY		FB1534	1-414-760-21	FERRITE, EMI (SMD) (1608)	
D1532	8-719-049-09	DIODE 1SS367-T3SONY		FB1535	1-414-760-21	FERRITE, EMI (SMD) (1608)	
D1533	8-719-049-09	DIODE 1SS367-T3SONY		FB1536	1-414-760-21	FERRITE, EMI (SMD) (1608)	
D1534	8-719-049-09	DIODE 1SS367-T3SONY		FB1537	1-414-760-21	FERRITE, EMI (SMD) (1608)	
D1535	8-719-049-09	DIODE 1SS367-T3SONY		FB1800	1-414-760-21	FERRITE, EMI (SMD) (1608)	
D1536	8-719-049-09	DIODE 1SS367-T3SONY		FB1950	1-414-760-21	FERRITE, EMI (SMD) (1608)	
D1537	8-719-049-09	DIODE 1SS367-T3SONY		< IC >			
D1581	8-719-049-09	DIODE 1SS367-T3SONY		IC1400	8-759-523-13	IC TC74AC125FT (EL)	
D1680	8-719-016-74	DIODE 1SS352		IC1401	6-702-673-01	IC CXD9730Q	
D1690	8-719-016-74	DIODE 1SS352		IC1402	6-702-673-01	IC CXD9730Q	
D1801	8-719-016-74	DIODE 1SS352		IC1403	6-702-673-01	IC CXD9730Q	
D1803	6-500-812-01	DIODE RLZTE-113.6B		IC1404	6-702-673-01	IC CXD9730Q	
D1891	8-719-820-05	DIODE 1SS181		IC1471	8-759-271-88	IC TC7SHU04FU	
D2851	8-719-016-74	DIODE 1SS352 (EXCEPT US, CND)		IC1481	8-759-832-29	IC NJM4580M-(TE2)	
< GROUND TERMINAL >				IC1482	8-759-832-29	IC NJM4580M-(TE2)	
* EP1801	1-537-738-21	TERMINAL, EARTH		IC1511	8-759-523-08	IC TC74AC08FT (EL)	
* EP1802	1-537-738-21	TERMINAL, EARTH		IC1512	8-759-523-08	IC TC74AC08FT (EL)	
* EP1806	1-537-738-21	TERMINAL, EARTH		IC1513	8-759-523-08	IC TC74AC08FT (EL)	
< FERRITE BEAD >				IC1514	8-759-523-08	IC TC74AC08FT (EL)	
FB1400	1-414-760-21	FERRITE, EMI (SMD) (1608)		IC1515	8-759-523-08	IC TC74AC08FT (EL)	
FB1401	1-469-120-21	FERRITE, EMI (SMD) (1608)		IC1516	8-759-523-08	IC TC74AC08FT (EL)	
FB1402	1-469-120-21	FERRITE, EMI (SMD) (1608)		IC1517	8-759-523-08	IC TC74AC08FT (EL)	
FB1403	1-414-760-21	FERRITE, EMI (SMD) (1608)		IC1521	8-759-523-08	IC TC74AC08FT (EL)	
FB1404	1-414-760-21	FERRITE, EMI (SMD) (1608)		IC1522	8-759-523-08	IC TC74AC08FT (EL)	
FB1410	1-414-760-21	FERRITE, EMI (SMD) (1608)		IC1523	8-759-523-08	IC TC74AC08FT (EL)	
FB1411	1-414-760-21	FERRITE, EMI (SMD) (1608)		IC1524	8-759-523-08	IC TC74AC08FT (EL)	
FB1412	1-414-760-21	FERRITE, EMI (SMD) (1608)		IC1525	8-759-523-08	IC TC74AC08FT (EL)	
FB1413	1-414-760-21	FERRITE, EMI (SMD) (1608)		IC1526	8-759-523-08	IC TC74AC08FT (EL)	
				IC1527	8-759-523-08	IC TC74AC08FT (EL)	
				IC1531	6-704-197-01	IC HIP2101IBZT	
				IC1532	6-704-197-01	IC HIP2101IBZT	
				IC1533	6-704-197-01	IC HIP2101IBZT	

D-AMP

Ref. No.	Part No.	Description	Remark	Ref. No.	Part No.	Description	Remark
Q1762	8-729-216-22	TRANSISTOR	2SA1162-G	R1333	1-216-797-11	METAL CHIP	10 5% 1/10W
Q1763	8-729-216-22	TRANSISTOR	2SA1162-G	R1334	1-216-797-11	METAL CHIP	10 5% 1/10W
Q1764	8-729-216-22	TRANSISTOR	2SA1162-G	R1335	1-216-797-11	METAL CHIP	10 5% 1/10W
Q1765	8-729-216-22	TRANSISTOR	2SA1162-G	R1336	1-216-797-11	METAL CHIP	10 5% 1/10W
				R1337	1-216-797-11	METAL CHIP	10 5% 1/10W
Q1766	8-729-216-22	TRANSISTOR	2SA1162-G	R1400	1-216-801-11	METAL CHIP	22 5% 1/10W
Q1767	8-729-216-22	TRANSISTOR	2SA1162-G	R1401	1-216-809-11	METAL CHIP	100 5% 1/10W
Q1771	8-729-230-49	TRANSISTOR	2SC2712-YG	R1402	1-216-809-11	METAL CHIP	100 5% 1/10W
Q1772	8-729-230-49	TRANSISTOR	2SC2712-YG	R1403	1-216-809-11	METAL CHIP	100 5% 1/10W
Q1773	8-729-230-49	TRANSISTOR	2SC2712-YG	R1404	1-216-809-11	METAL CHIP	100 5% 1/10W
Q1774	8-729-230-49	TRANSISTOR	2SC2712-YG	R1405	1-216-809-11	METAL CHIP	100 5% 1/10W
Q1775	8-729-230-49	TRANSISTOR	2SC2712-YG	R1406	1-216-809-11	METAL CHIP	100 5% 1/10W
Q1776	8-729-230-49	TRANSISTOR	2SC2712-YG	R1407	1-216-809-11	METAL CHIP	100 5% 1/10W
Q1781	8-729-230-49	TRANSISTOR	2SC2712-YG	R1408	1-216-809-11	METAL CHIP	100 5% 1/10W
Q1782	8-729-230-49	TRANSISTOR	2SC2712-YG	R1411	1-216-809-11	METAL CHIP	100 5% 1/10W
Q1783	8-729-230-49	TRANSISTOR	2SC2712-YG	R1412	1-216-809-11	METAL CHIP	100 5% 1/10W
Q1784	8-729-230-49	TRANSISTOR	2SC2712-YG	R1413	1-216-809-11	METAL CHIP	100 5% 1/10W
Q1785	8-729-230-49	TRANSISTOR	2SC2712-YG	R1415	1-216-809-11	METAL CHIP	100 5% 1/10W
Q1786	8-729-230-49	TRANSISTOR	2SC2712-YG	R1416	1-216-809-11	METAL CHIP	100 5% 1/10W
Q1791	8-729-230-49	TRANSISTOR	2SC2712-YG	R1417	1-216-809-11	METAL CHIP	100 5% 1/10W
Q1792	8-729-230-49	TRANSISTOR	2SC2712-YG	R1418	1-216-809-11	METAL CHIP	100 5% 1/10W
Q1793	8-729-230-49	TRANSISTOR	2SC2712-YG	R1421	1-216-833-11	METAL CHIP	1K 5% 1/10W
Q1794	8-729-230-49	TRANSISTOR	2SC2712-YG	R1422	1-216-833-11	METAL CHIP	1K 5% 1/10W
Q1795	8-729-230-49	TRANSISTOR	2SC2712-YG	R1423	1-216-833-11	METAL CHIP	1K 5% 1/10W
Q1796	8-729-230-49	TRANSISTOR	2SC2712-YG	R1424	1-216-833-11	METAL CHIP	1K 5% 1/10W
Q1800	8-729-027-38	TRANSISTOR	DTA144EKA-T146	R1426	1-216-809-11	METAL CHIP	100 5% 1/10W
Q1891	8-729-230-49	TRANSISTOR	2SC2712-YG	R1427	1-216-809-11	METAL CHIP	100 5% 1/10W
Q1892	8-729-230-49	TRANSISTOR	2SC2712-YG	R1428	1-216-809-11	METAL CHIP	100 5% 1/10W
Q2851	8-729-230-49	TRANSISTOR	2SC2712-YG	R1429	1-216-809-11	METAL CHIP	100 5% 1/10W
			(EXCEPT US, CND)	R1431	1-216-809-11	METAL CHIP	100 5% 1/10W
Q2852	8-729-027-24	TRANSISTOR	DTA114TKA-T146	R1432	1-216-809-11	METAL CHIP	100 5% 1/10W
			(EXCEPT US, CND)	R1433	1-216-809-11	METAL CHIP	100 5% 1/10W
		< RESISTOR >		R1434	1-216-809-11	METAL CHIP	100 5% 1/10W
R1001	1-216-295-00	SHORT CHIP	0	R1436	1-216-833-11	METAL CHIP	1K 5% 1/10W
R1002	1-216-295-00	SHORT CHIP	0	R1437	1-216-833-11	METAL CHIP	1K 5% 1/10W
R1301	1-216-797-11	METAL CHIP	10 5% 1/10W	R1438	1-216-833-11	METAL CHIP	1K 5% 1/10W
R1302	1-216-797-11	METAL CHIP	10 5% 1/10W	R1439	1-216-833-11	METAL CHIP	1K 5% 1/10W
R1303	1-216-797-11	METAL CHIP	10 5% 1/10W	R1440	1-216-864-11	SHORT CHIP	0
R1304	1-216-797-11	METAL CHIP	10 5% 1/10W	R1441	1-216-809-11	METAL CHIP	100 5% 1/10W
R1305	1-216-797-11	METAL CHIP	10 5% 1/10W	R1442	1-216-809-11	METAL CHIP	100 5% 1/10W
R1306	1-216-797-11	METAL CHIP	10 5% 1/10W	R1443	1-216-809-11	METAL CHIP	100 5% 1/10W
R1307	1-216-797-11	METAL CHIP	10 5% 1/10W	R1444	1-216-809-11	METAL CHIP	100 5% 1/10W
R1311	1-216-797-11	METAL CHIP	10 5% 1/10W	R1451	1-216-809-11	METAL CHIP	100 5% 1/10W
R1312	1-216-797-11	METAL CHIP	10 5% 1/10W	R1452	1-216-809-11	METAL CHIP	100 5% 1/10W
R1313	1-216-797-11	METAL CHIP	10 5% 1/10W	R1453	1-216-809-11	METAL CHIP	100 5% 1/10W
R1314	1-216-797-11	METAL CHIP	10 5% 1/10W	R1454	1-216-809-11	METAL CHIP	100 5% 1/10W
R1315	1-216-797-11	METAL CHIP	10 5% 1/10W	R1456	1-216-833-11	METAL CHIP	1K 5% 1/10W
R1316	1-216-797-11	METAL CHIP	10 5% 1/10W	R1457	1-216-833-11	METAL CHIP	1K 5% 1/10W
R1317	1-216-797-11	METAL CHIP	10 5% 1/10W	R1458	1-216-833-11	METAL CHIP	1K 5% 1/10W
R1321	1-216-797-11	METAL CHIP	10 5% 1/10W	R1459	1-216-833-11	METAL CHIP	1K 5% 1/10W
R1322	1-216-797-11	METAL CHIP	10 5% 1/10W	R1461	1-216-813-11	METAL CHIP	220 5% 1/10W
R1323	1-216-797-11	METAL CHIP	10 5% 1/10W	R1462	1-216-813-11	METAL CHIP	220 5% 1/10W
R1324	1-216-797-11	METAL CHIP	10 5% 1/10W	R1463	1-216-813-11	METAL CHIP	220 5% 1/10W
R1325	1-216-797-11	METAL CHIP	10 5% 1/10W	R1464	1-216-813-11	METAL CHIP	220 5% 1/10W
R1326	1-216-797-11	METAL CHIP	10 5% 1/10W	R1471	1-216-182-00	RES-CHIP	220 2% 1/8W
R1327	1-216-797-11	METAL CHIP	10 5% 1/10W				(EXCEPT AEP)
R1331	1-216-797-11	METAL CHIP	10 5% 1/10W	R1471	1-259-987-11	CARBON MELF	220 2% 1/8W
R1332	1-216-797-11	METAL CHIP	10 5% 1/10W				(AEP)

D-AMP

Ref. No.	Part No.	Description	Remark	Ref. No.	Part No.	Description	Remark
R1472	1-208-854-11	METAL CHIP	1M 0.5% 1/10W (EXCEPT AEP)	R1552	1-216-805-11	METAL CHIP	47 5% 1/10W
R1472	1-260-032-11	CARBON MELF	1M 2% 1/8W (AEP)	R1553	1-216-805-11	METAL CHIP	47 5% 1/10W
R1476	1-216-833-11	METAL CHIP	1K 5% 1/10W	R1554	1-216-805-11	METAL CHIP	47 5% 1/10W
R1477	1-216-833-11	METAL CHIP	1K 5% 1/10W	R1555	1-216-805-11	METAL CHIP	47 5% 1/10W
R1478	1-216-833-11	METAL CHIP	1K 5% 1/10W	R1556	1-216-805-11	METAL CHIP	47 5% 1/10W
R1479	1-216-833-11	METAL CHIP	1K 5% 1/10W	R1557	1-216-805-11	METAL CHIP	47 5% 1/10W
R1480	1-216-827-11	METAL CHIP	3.3K 5% 1/10W	R1561	1-216-805-11	METAL CHIP	47 5% 1/10W
R1481	1-216-833-11	METAL CHIP	1K 5% 1/10W	R1562	1-216-805-11	METAL CHIP	47 5% 1/10W
R1482	1-216-833-11	METAL CHIP	1K 5% 1/10W	R1563	1-216-805-11	METAL CHIP	47 5% 1/10W
R1483	1-216-833-11	METAL CHIP	1K 5% 1/10W	R1564	1-216-805-11	METAL CHIP	47 5% 1/10W
R1484	1-216-833-11	METAL CHIP	1K 5% 1/10W	R1565	1-216-805-11	METAL CHIP	47 5% 1/10W
R1485	1-216-837-11	METAL CHIP	22K 5% 1/10W	R1566	1-216-805-11	METAL CHIP	47 5% 1/10W
R1486	1-216-837-11	METAL CHIP	22K 5% 1/10W	R1567	1-216-805-11	METAL CHIP	47 5% 1/10W
R1487	1-216-837-11	METAL CHIP	22K 5% 1/10W	R1571	1-216-805-11	METAL CHIP	47 5% 1/10W
R1488	1-216-837-11	METAL CHIP	22K 5% 1/10W	R1572	1-216-805-11	METAL CHIP	47 5% 1/10W
R1490	1-216-829-11	METAL CHIP	4.7K 5% 1/10W	R1573	1-216-805-11	METAL CHIP	47 5% 1/10W
R1491	1-216-823-11	METAL CHIP	1.5K 5% 1/10W	R1574	1-216-805-11	METAL CHIP	47 5% 1/10W
R1492	1-216-823-11	METAL CHIP	1.5K 5% 1/10W	R1575	1-216-805-11	METAL CHIP	47 5% 1/10W
R1493	1-216-839-11	METAL CHIP	33K 5% 1/10W	R1576	1-216-805-11	METAL CHIP	47 5% 1/10W
R1494	1-216-839-11	METAL CHIP	33K 5% 1/10W	R1577	1-216-805-11	METAL CHIP	47 5% 1/10W
R1495	1-216-825-11	METAL CHIP	2.2K 5% 1/10W	R1581	1-216-805-11	METAL CHIP	47 5% 1/10W
R1496	1-216-825-11	METAL CHIP	2.2K 5% 1/10W	R1582	1-216-805-11	METAL CHIP	47 5% 1/10W
R1497	1-216-166-00	RES-CHIP	47 5% 1/8W	R1583	1-216-805-11	METAL CHIP	47 5% 1/10W
R1498	1-216-166-00	RES-CHIP	47 5% 1/8W	R1584	1-216-805-11	METAL CHIP	47 5% 1/10W
△R1499	1-249-393-11	CARBON	10 5% 1/4W F	R1585	1-216-805-11	METAL CHIP	47 5% 1/10W
R1500	1-216-825-11	METAL CHIP	2.2K 5% 1/10W	R1586	1-216-805-11	METAL CHIP	47 5% 1/10W
R1501	1-216-833-11	METAL CHIP	1K 5% 1/10W	R1587	1-216-805-11	METAL CHIP	47 5% 1/10W
R1511	1-216-815-11	METAL CHIP	330 5% 1/10W	R1610	1-216-816-11	METAL CHIP	390 5% 1/10W
R1512	1-216-815-11	METAL CHIP	330 5% 1/10W	R1620	1-216-816-11	METAL CHIP	390 5% 1/10W
R1513	1-216-815-11	METAL CHIP	330 5% 1/10W	R1630	1-216-816-11	METAL CHIP	390 5% 1/10W
R1514	1-216-815-11	METAL CHIP	330 5% 1/10W	R1631	1-219-796-11	RES-CHIP	0.025 1% 1W
R1515	1-216-815-11	METAL CHIP	330 5% 1/10W	R1632	1-219-796-11	RES-CHIP	0.025 1% 1W
R1516	1-216-815-11	METAL CHIP	330 5% 1/10W	R1633	1-219-796-11	RES-CHIP	0.025 1% 1W
R1517	1-216-815-11	METAL CHIP	330 5% 1/10W	R1634	1-219-796-11	RES-CHIP	0.025 1% 1W
R1521	1-216-815-11	METAL CHIP	330 5% 1/10W	R1635	1-219-796-11	RES-CHIP	0.025 1% 1W
R1522	1-216-815-11	METAL CHIP	330 5% 1/10W	R1636	1-219-796-11	RES-CHIP	0.025 1% 1W
R1523	1-216-815-11	METAL CHIP	330 5% 1/10W	R1637	1-219-796-11	RES-CHIP	0.025 1% 1W
R1524	1-216-815-11	METAL CHIP	330 5% 1/10W	R1640	1-216-816-11	METAL CHIP	390 5% 1/10W
R1525	1-216-815-11	METAL CHIP	330 5% 1/10W	R1641	1-219-796-11	RES-CHIP	0.025 1% 1W
R1526	1-216-815-11	METAL CHIP	330 5% 1/10W	R1642	1-219-796-11	RES-CHIP	0.025 1% 1W
R1527	1-216-815-11	METAL CHIP	330 5% 1/10W	R1643	1-219-796-11	RES-CHIP	0.025 1% 1W
R1531	1-216-815-11	METAL CHIP	330 5% 1/10W	R1644	1-219-796-11	RES-CHIP	0.025 1% 1W
R1532	1-216-815-11	METAL CHIP	330 5% 1/10W	R1645	1-219-796-11	RES-CHIP	0.025 1% 1W
R1533	1-216-815-11	METAL CHIP	330 5% 1/10W	R1646	1-219-796-11	RES-CHIP	0.025 1% 1W
R1534	1-216-815-11	METAL CHIP	330 5% 1/10W	R1647	1-219-796-11	RES-CHIP	0.025 1% 1W
R1535	1-216-815-11	METAL CHIP	330 5% 1/10W	R1650	1-216-816-11	METAL CHIP	390 5% 1/10W
R1536	1-216-815-11	METAL CHIP	330 5% 1/10W	R1651	1-216-864-11	SHORT CHIP	0
R1537	1-216-815-11	METAL CHIP	330 5% 1/10W	R1652	1-216-864-11	SHORT CHIP	0
R1541	1-216-815-11	METAL CHIP	330 5% 1/10W	R1653	1-216-864-11	SHORT CHIP	0
R1542	1-216-815-11	METAL CHIP	330 5% 1/10W	R1654	1-216-864-11	SHORT CHIP	0
R1543	1-216-815-11	METAL CHIP	330 5% 1/10W	R1655	1-216-864-11	SHORT CHIP	0
R1544	1-216-815-11	METAL CHIP	330 5% 1/10W	R1656	1-216-864-11	SHORT CHIP	0
R1545	1-216-815-11	METAL CHIP	330 5% 1/10W	R1657	1-216-864-11	SHORT CHIP	0
R1546	1-216-815-11	METAL CHIP	330 5% 1/10W	R1660	1-216-816-11	METAL CHIP	390 5% 1/10W
R1547	1-216-815-11	METAL CHIP	330 5% 1/10W	R1661	1-216-864-11	SHORT CHIP	0
R1551	1-216-805-11	METAL CHIP	47 5% 1/10W	R1662	1-216-864-11	SHORT CHIP	0
				R1663	1-216-864-11	SHORT CHIP	0

The components identified by mark △ or dotted line with mark △ are critical for safety. Replace only with part number specified.	Les composants identifiés par une marque △ sont critiques pour la sécurité. Ne les remplacer que par une pièce portant le numéro spécifié.	以阴影和 △ 标志来识别的零部件，在安全方面具有关键性。因此只能以规定号码的零部件来更换。
--	--	---

Ref. No.	Part No.	Description	Remark	Ref. No.	Part No.	Description	Remark
R1664	1-216-864-11	SHORT CHIP	0	R1756	1-216-844-11	METAL CHIP	82K 5% 1/10W
R1665	1-216-864-11	SHORT CHIP	0	R1757	1-216-844-11	METAL CHIP	82K 5% 1/10W
R1666	1-216-864-11	SHORT CHIP	0	R1761	1-216-829-11	METAL CHIP	4.7K 5% 1/10W
R1667	1-216-864-11	SHORT CHIP	0	R1762	1-216-829-11	METAL CHIP	4.7K 5% 1/10W
R1671	1-216-864-11	SHORT CHIP	0	R1763	1-216-829-11	METAL CHIP	4.7K 5% 1/10W
R1672	1-216-864-11	SHORT CHIP	0	R1764	1-216-829-11	METAL CHIP	4.7K 5% 1/10W
R1673	1-216-864-11	SHORT CHIP	0	R1765	1-216-829-11	METAL CHIP	4.7K 5% 1/10W
R1674	1-216-864-11	SHORT CHIP	0	R1766	1-216-829-11	METAL CHIP	4.7K 5% 1/10W
R1675	1-216-864-11	SHORT CHIP	0	R1771	1-216-835-11	METAL CHIP	15K 5% 1/10W
R1676	1-216-864-11	SHORT CHIP	0	R1772	1-216-835-11	METAL CHIP	15K 5% 1/10W
R1677	1-216-864-11	SHORT CHIP	0	R1773	1-216-835-11	METAL CHIP	15K 5% 1/10W
R1680	1-216-821-11	METAL CHIP	1K 5% 1/10W	R1774	1-216-835-11	METAL CHIP	15K 5% 1/10W
R1681	1-216-864-11	SHORT CHIP	0	R1775	1-216-835-11	METAL CHIP	15K 5% 1/10W
R1682	1-216-864-11	SHORT CHIP	0	R1776	1-216-835-11	METAL CHIP	15K 5% 1/10W
R1683	1-216-864-11	SHORT CHIP	0	R1781	1-216-803-11	METAL CHIP	33 5% 1/10W
R1684	1-216-864-11	SHORT CHIP	0	R1782	1-216-803-11	METAL CHIP	33 5% 1/10W
R1685	1-216-864-11	SHORT CHIP	0	R1783	1-216-803-11	METAL CHIP	33 5% 1/10W
R1686	1-216-864-11	SHORT CHIP	0	R1784	1-216-803-11	METAL CHIP	33 5% 1/10W
R1687	1-216-864-11	SHORT CHIP	0	R1785	1-216-803-11	METAL CHIP	33 5% 1/10W
R1688	1-216-833-11	METAL CHIP	1K 5% 1/10W	R1786	1-216-803-11	METAL CHIP	33 5% 1/10W
△R1689	1-249-393-11	CARBON	10 5% 1/4W F	R1791	1-216-828-11	METAL CHIP	3.9K 5% 1/10W
R1690	1-216-821-11	METAL CHIP	1K 5% 1/10W	R1792	1-216-828-11	METAL CHIP	3.9K 5% 1/10W
R1698	1-216-833-11	METAL CHIP	1K 5% 1/10W	R1793	1-216-828-11	METAL CHIP	3.9K 5% 1/10W
△R1699	1-249-393-11	CARBON	10 5% 1/4W F	R1794	1-216-828-11	METAL CHIP	3.9K 5% 1/10W
R1701	1-216-833-11	METAL CHIP	1K 5% 1/10W	R1795	1-216-828-11	METAL CHIP	3.9K 5% 1/10W
R1702	1-216-833-11	METAL CHIP	1K 5% 1/10W	R1796	1-216-828-11	METAL CHIP	3.9K 5% 1/10W
R1703	1-216-833-11	METAL CHIP	1K 5% 1/10W	R1800	1-216-809-11	METAL CHIP	100 5% 1/10W
R1704	1-216-833-11	METAL CHIP	1K 5% 1/10W	R1801	1-216-809-11	METAL CHIP	100 5% 1/10W
R1705	1-216-833-11	METAL CHIP	1K 5% 1/10W	R1802	1-216-809-11	METAL CHIP	100 5% 1/10W
R1706	1-216-833-11	METAL CHIP	1K 5% 1/10W	R1803	1-216-833-11	METAL CHIP	1K 5% 1/10W
R1707	1-216-833-11	METAL CHIP	1K 5% 1/10W	R1804	1-216-833-11	METAL CHIP	1K 5% 1/10W
R1711	1-216-815-11	METAL CHIP	330 5% 1/10W	R1805	1-216-864-11	SHORT CHIP	0
R1712	1-216-815-11	METAL CHIP	330 5% 1/10W	R1806	1-216-809-11	METAL CHIP	100 5% 1/10W
R1713	1-216-815-11	METAL CHIP	330 5% 1/10W	R1807	1-216-833-11	METAL CHIP	1K 5% 1/10W
R1714	1-216-815-11	METAL CHIP	330 5% 1/10W	R1808	1-216-833-11	METAL CHIP	1K 5% 1/10W
R1715	1-216-815-11	METAL CHIP	330 5% 1/10W	R1809	1-216-833-11	METAL CHIP	1K 5% 1/10W
R1716	1-216-815-11	METAL CHIP	330 5% 1/10W	R1810	1-216-833-11	METAL CHIP	1K 5% 1/10W
R1717	1-216-815-11	METAL CHIP	330 5% 1/10W	R1811	1-216-809-11	METAL CHIP	100 5% 1/10W
R1731	1-216-849-11	METAL CHIP	220K 5% 1/10W	R1812	1-216-809-11	METAL CHIP	100 5% 1/10W
R1732	1-216-849-11	METAL CHIP	220K 5% 1/10W	R1813	1-216-809-11	METAL CHIP	100 5% 1/10W
R1733	1-216-849-11	METAL CHIP	220K 5% 1/10W	R1814	1-216-809-11	METAL CHIP	100 5% 1/10W
R1734	1-216-849-11	METAL CHIP	220K 5% 1/10W	R1815	1-216-833-11	METAL CHIP	1K 5% 1/10W
R1735	1-216-849-11	METAL CHIP	220K 5% 1/10W	R1816	1-216-809-11	METAL CHIP	100 5% 1/10W
R1736	1-216-849-11	METAL CHIP	220K 5% 1/10W	R1817	1-216-833-11	METAL CHIP	1K 5% 1/10W
R1737	1-216-849-11	METAL CHIP	220K 5% 1/10W	R1818	1-216-809-11	METAL CHIP	100 5% 1/10W
R1741	1-216-849-11	METAL CHIP	220K 5% 1/10W	R1819	1-216-833-11	METAL CHIP	1K 5% 1/10W
R1742	1-216-849-11	METAL CHIP	220K 5% 1/10W	R1822	1-216-809-11	METAL CHIP	100 5% 1/10W
R1743	1-216-849-11	METAL CHIP	220K 5% 1/10W	R1823	1-216-833-11	METAL CHIP	1K 5% 1/10W
R1744	1-216-849-11	METAL CHIP	220K 5% 1/10W	R1824	1-216-809-11	METAL CHIP	100 5% 1/10W
R1745	1-216-849-11	METAL CHIP	220K 5% 1/10W	R1825	1-216-833-11	METAL CHIP	1K 5% 1/10W
R1746	1-216-849-11	METAL CHIP	220K 5% 1/10W	R1826	1-216-809-11	METAL CHIP	100 5% 1/10W
R1747	1-216-849-11	METAL CHIP	220K 5% 1/10W	R1827	1-216-833-11	METAL CHIP	1K 5% 1/10W
R1751	1-216-844-11	METAL CHIP	82K 5% 1/10W	R1828	1-216-809-11	METAL CHIP	100 5% 1/10W
R1752	1-216-844-11	METAL CHIP	82K 5% 1/10W	R1829	1-216-833-11	METAL CHIP	1K 5% 1/10W
R1753	1-216-844-11	METAL CHIP	82K 5% 1/10W	R1830	1-216-809-11	METAL CHIP	100 5% 1/10W
R1754	1-216-844-11	METAL CHIP	82K 5% 1/10W	R1831	1-216-809-11	METAL CHIP	100 5% 1/10W
R1755	1-216-844-11	METAL CHIP	82K 5% 1/10W	R1833	1-216-864-11	SHORT CHIP	0

The components identified by mark △ or dotted line with mark △ are critical for safety. Replace only with part number specified.

Les composants identifiés par une marque △ sont critiques pour la sécurité. Ne les remplacer que par une pièce portant le numéro spécifié.

以阴影和 △标志来识别的零部件，在安全方面具有关键性。因此只能以规定号码的零部件来更换。

STR-DA5000ES

D-AMP

Ref. No.	Part No.	Description	Remark	Ref. No.	Part No.	Description	Remark
R1835	1-216-833-11	METAL CHIP	1K 5% 1/10W	R1954	1-216-809-11	METAL CHIP	100 5% 1/10W
R1836	1-216-833-11	METAL CHIP	1K 5% 1/10W	R1955	1-216-809-11	METAL CHIP	100 5% 1/10W
R1839	1-216-833-11	METAL CHIP	1K 5% 1/10W	R1956	1-216-809-11	METAL CHIP	100 5% 1/10W
R1842	1-216-864-11	SHORT CHIP	0	R1957	1-216-809-11	METAL CHIP	100 5% 1/10W
R1847	1-216-809-11	METAL CHIP	100 5% 1/10W	R1970	1-216-809-11	METAL CHIP	100 5% 1/10W
R1848	1-216-809-11	METAL CHIP	100 5% 1/10W	R1971	1-216-809-11	METAL CHIP	100 5% 1/10W
R1849	1-216-821-11	METAL CHIP	1K 5% 1/10W	R1972	1-216-809-11	METAL CHIP	100 5% 1/10W
R1850	1-216-833-11	METAL CHIP	1K 5% 1/10W	R1980	1-216-809-11	METAL CHIP	100 5% 1/10W
△R1889	1-215-921-11	METAL OXIDE	4.7K 5% 3W F	R1981	1-216-809-11	METAL CHIP	100 5% 1/10W
R1890	1-216-833-11	METAL CHIP	1K 5% 1/10W	R1982	1-216-809-11	METAL CHIP	100 5% 1/10W
R1891	1-216-833-11	METAL CHIP	1K 5% 1/10W	R1983	1-216-809-11	METAL CHIP	100 5% 1/10W
R1892	1-216-857-11	METAL CHIP	1M 5% 1/10W	R1984	1-216-809-11	METAL CHIP	100 5% 1/10W
R1893	1-216-809-11	METAL CHIP	100 5% 1/10W	R1985	1-216-809-11	METAL CHIP	100 5% 1/10W
R1894	1-216-833-11	METAL CHIP	1K 5% 1/10W	R1986	1-216-809-11	METAL CHIP	100 5% 1/10W
R1895	1-216-857-11	METAL CHIP	1M 5% 1/10W	R1987	1-216-809-11	METAL CHIP	100 5% 1/10W
R1896	1-216-821-11	METAL CHIP	1K 5% 1/10W	R1988	1-216-864-11	SHORT CHIP	0
R1897	1-216-864-11	SHORT CHIP	0	R1989	1-216-864-11	SHORT CHIP	0
R1899	1-216-864-11	SHORT CHIP	0	R1991	1-216-833-11	METAL CHIP	1K 5% 1/10W
R1901	1-216-845-11	METAL CHIP	100K 5% 1/10W	R1992	1-216-833-11	METAL CHIP	1K 5% 1/10W
R1902	1-216-845-11	METAL CHIP	100K 5% 1/10W	R1993	1-216-809-11	METAL CHIP	100 5% 1/10W
R1903	1-216-845-11	METAL CHIP	100K 5% 1/10W	R1994	1-216-833-11	METAL CHIP	1K 5% 1/10W
R1904	1-216-845-11	METAL CHIP	100K 5% 1/10W	R1995	1-216-833-11	METAL CHIP	1K 5% 1/10W
R1905	1-216-845-11	METAL CHIP	100K 5% 1/10W	R1996	1-216-833-11	METAL CHIP	1K 5% 1/10W
R1906	1-216-845-11	METAL CHIP	100K 5% 1/10W	R1997	1-216-833-11	METAL CHIP	1K 5% 1/10W
R1907	1-216-845-11	METAL CHIP	100K 5% 1/10W	R2852	1-216-825-11	METAL CHIP	2.2K 5% 1/10W
R1908	1-216-845-11	METAL CHIP	100K 5% 1/10W				(EXCEPT US, CND)
R1911	1-216-845-11	METAL CHIP	100K 5% 1/10W	R2853	1-216-833-11	METAL CHIP	1K 5% 1/10W
R1912	1-216-845-11	METAL CHIP	100K 5% 1/10W				(EXCEPT US, CND)
R1913	1-216-845-11	METAL CHIP	100K 5% 1/10W	△R2854	1-249-393-11	CARBON	10 5% 1/4W F
R1915	1-216-845-11	METAL CHIP	100K 5% 1/10W				(EXCEPT US, CND)
R1916	1-216-845-11	METAL CHIP	100K 5% 1/10W	R2868	1-216-013-00	RES-CHIP	33 5% 1/10W
R1917	1-216-845-11	METAL CHIP	100K 5% 1/10W				(EXCEPT US, CND)
R1918	1-216-845-11	METAL CHIP	100K 5% 1/10W	R2887	1-208-782-11	METAL CHIP	1K 0.5% 1/10W
R1921	1-216-833-11	METAL CHIP	1K 5% 1/10W				(TW, CH)
R1922	1-216-833-11	METAL CHIP	1K 5% 1/10W	R2887	1-259-995-11	CARBON MELF	1K 2% 1/8W
R1923	1-216-833-11	METAL CHIP	1K 5% 1/10W				(AEP)
R1924	1-216-833-11	METAL CHIP	1K 5% 1/10W	R2888	1-216-013-00	RES-CHIP	33 5% 1/10W
R1925	1-216-833-11	METAL CHIP	1K 5% 1/10W				(EXCEPT US, CND)
R1926	1-216-833-11	METAL CHIP	1K 5% 1/10W	R2889	1-216-246-00	RES-CHIP	100K 2% 1/8W
R1927	1-216-833-11	METAL CHIP	1K 5% 1/10W				(TW, CH)
R1928	1-216-833-11	METAL CHIP	1K 5% 1/10W	R2889	1-260-020-11	CARBON MELF	100K 2% 1/8W
R1931	1-216-833-11	METAL CHIP	1K 5% 1/10W				(AEP)
R1932	1-216-833-11	METAL CHIP	1K 5% 1/10W	R2890	1-216-246-00	RES-CHIP	100K 2% 1/8W
R1933	1-216-833-11	METAL CHIP	1K 5% 1/10W				(TW, CH)
R1935	1-216-833-11	METAL CHIP	1K 5% 1/10W	R2890	1-260-020-11	CARBON MELF	100K 2% 1/8W
R1936	1-216-833-11	METAL CHIP	1K 5% 1/10W				(AEP)
R1937	1-216-833-11	METAL CHIP	1K 5% 1/10W	R2891	1-216-214-00	RES-CHIP	4.7K 2% 1/8W
R1938	1-216-833-11	METAL CHIP	1K 5% 1/10W				(TW, CH)
R1941	1-216-845-11	METAL CHIP	100K 5% 1/10W	R2891	1-260-004-11	CARBON MELF	4.7K 2% 1/8W
R1942	1-216-845-11	METAL CHIP	100K 5% 1/10W				(AEP)
R1943	1-216-805-11	METAL CHIP	47 5% 1/10W	R2892	1-216-627-11	METAL CHIP	100 0.5% 1/10W
R1944	1-216-845-11	METAL CHIP	100K 5% 1/10W				(TW, CH)
R1945	1-216-845-11	METAL CHIP	100K 5% 1/10W	R2892	1-259-983-11	CARBON MELF	100 2% 1/8W
R1946	1-216-845-11	METAL CHIP	100K 5% 1/10W				(AEP)
R1947	1-216-845-11	METAL CHIP	100K 5% 1/10W	R2893	1-208-782-11	METAL CHIP	1K 0.5% 1/10W
R1952	1-216-809-11	METAL CHIP	100 5% 1/10W				(TW, CH)
R1953	1-216-809-11	METAL CHIP	100 5% 1/10W	R2893	1-259-995-11	CARBON MELF	1K 2% 1/8W
							(AEP)

The components identified by mark △ or dotted line with mark △ are critical for safety. Replace only with part number specified.

Les composants identifiés par une marque △ sont critiques pour la sécurité. Ne les remplacer que par une pièce portant le numéro spécifié.

以阴影和 △标志来识别的零部件，在安全方面具有关键性。因此只能以规定号码的零部件来更换。

STR-DA5000ES

DIGITAL

Ref. No.	Part No.	Description	Remark	Ref. No.	Part No.	Description	Remark
C2030	1-119-824-11	ELECT	10uF 20% 50V (US, CND)	C2050	1-135-743-11	ELECT	10uF 50V (TW, CH)
C2030	1-135-743-11	ELECT	10uF 50V (TW, CH)	C2051	1-165-319-11	CERAMIC CHIP	0.1uF 50V
C2031	1-119-823-11	ELECT	4.7uF 20% 50V (AEP)	C2052	1-165-319-11	CERAMIC CHIP	0.1uF 50V
C2031	1-119-823-11	ELECT	4.7uF 20% 50V (US, CND)	C2053	1-165-319-11	CERAMIC CHIP	0.1uF 50V
C2031	1-135-742-91	ELECT	4.7uF 50V (TW, CH)	C2054	1-119-824-31	ELECT	10uF 20% 50V (AEP)
C2032	1-165-319-11	CERAMIC CHIP	0.1uF 50V	C2054	1-119-824-11	ELECT	10uF 20% 50V (US, CND)
C2033	1-165-319-11	CERAMIC CHIP	0.1uF 50V	C2054	1-135-743-11	ELECT	10uF 50V (TW, CH)
C2034	1-119-824-31	ELECT	10uF 20% 50V (AEP)	C2055	1-165-319-11	CERAMIC CHIP	0.1uF 50V
C2034	1-119-824-11	ELECT	10uF 20% 50V (US, CND)	C2056	1-119-824-31	ELECT	10uF 20% 50V (AEP)
C2034	1-135-743-11	ELECT	10uF 50V (TW, CH)	C2056	1-119-824-11	ELECT	10uF 20% 50V (US, CND)
C2035	1-165-319-11	CERAMIC CHIP	0.1uF 50V	C2056	1-135-743-11	ELECT	10uF 50V (TW, CH)
C2036	1-119-824-31	ELECT	10uF 20% 50V (AEP)	C2057	1-165-319-11	CERAMIC CHIP	0.1uF 50V
C2036	1-119-824-11	ELECT	10uF 20% 50V (US, CND)	C2058	1-165-319-11	CERAMIC CHIP	0.1uF 50V
C2036	1-135-743-11	ELECT	10uF 50V (TW, CH)	C2059	1-119-824-31	ELECT	10uF 20% 50V (AEP)
C2037	1-165-319-11	CERAMIC CHIP	0.1uF 50V	C2059	1-119-824-11	ELECT	10uF 20% 50V (US, CND)
C2038	1-119-824-31	ELECT	10uF 20% 50V (AEP)	C2059	1-135-743-11	ELECT	10uF 50V (TW, CH)
C2038	1-119-824-11	ELECT	10uF 20% 50V (US, CND)	C2060	1-165-319-11	CERAMIC CHIP	0.1uF 50V
C2038	1-135-743-11	ELECT	10uF 50V (TW, CH)	C2061	1-119-824-31	ELECT	10uF 20% 50V (AEP)
C2039	1-165-319-11	CERAMIC CHIP	0.1uF 50V	C2061	1-119-824-11	ELECT	10uF 20% 50V (US, CND)
C2040	1-165-319-11	CERAMIC CHIP	0.1uF 50V	C2061	1-135-743-11	ELECT	10uF 50V (TW, CH)
C2041	1-165-319-11	CERAMIC CHIP	0.1uF 50V	C2062	1-165-319-11	CERAMIC CHIP	0.1uF 50V
C2042	1-165-319-11	CERAMIC CHIP	0.1uF 50V	C2063	1-165-319-11	CERAMIC CHIP	0.1uF 50V
C2043	1-119-824-31	ELECT	10uF 20% 50V (AEP)	C2064	1-165-319-11	CERAMIC CHIP	0.1uF 50V
C2043	1-119-824-11	ELECT	10uF 20% 50V (US, CND)	C2065	1-119-824-31	ELECT	10uF 20% 50V (AEP)
C2043	1-135-743-11	ELECT	10uF 50V (TW, CH)	C2065	1-119-824-11	ELECT	10uF 20% 50V (US, CND)
C2044	1-165-319-11	CERAMIC CHIP	0.1uF 50V	C2065	1-135-743-11	ELECT	10uF 50V (TW, CH)
C2045	1-119-824-31	ELECT	10uF 20% 50V (AEP)	C2066	1-165-319-11	CERAMIC CHIP	0.1uF 50V
C2045	1-119-824-11	ELECT	10uF 20% 50V (US, CND)	C2067	1-119-824-31	ELECT	10uF 20% 50V (AEP)
C2045	1-135-743-11	ELECT	10uF 50V (TW, CH)	C2067	1-119-824-11	ELECT	10uF 20% 50V (US, CND)
C2046	1-165-319-11	CERAMIC CHIP	0.1uF 50V	C2067	1-135-743-11	ELECT	10uF 50V (TW, CH)
C2047	1-165-319-11	CERAMIC CHIP	0.1uF 50V	C2068	1-165-319-11	CERAMIC CHIP	0.1uF 50V
C2048	1-119-824-31	ELECT	10uF 20% 50V (AEP)	C2069	1-165-319-11	CERAMIC CHIP	0.1uF 50V
C2048	1-119-824-11	ELECT	10uF 20% 50V (US, CND)	C2070	1-119-824-31	ELECT	10uF 20% 50V (AEP)
C2048	1-135-743-11	ELECT	10uF 50V (TW, CH)	C2070	1-119-824-11	ELECT	10uF 20% 50V (US, CND)
C2049	1-165-319-11	CERAMIC CHIP	0.1uF 50V	C2070	1-135-743-11	ELECT	10uF 50V (TW, CH)
C2050	1-119-824-31	ELECT	10uF 20% 50V (AEP)	C2071	1-165-319-11	CERAMIC CHIP	0.1uF 50V
C2050	1-119-824-11	ELECT	10uF 20% 50V (US, CND)	C2072	1-119-824-31	ELECT	10uF 20% 50V (AEP)
				C2072	1-119-824-11	ELECT	10uF 20% 50V (US, CND)

DIGITAL

Ref. No.	Part No.	Description		Remark	Ref. No.	Part No.	Description		Remark
C2072	1-135-743-11	ELECT	10uF	50V (TW, CH)	C2130	1-165-319-11	CERAMIC CHIP	0.1uF	50V
C2073	1-165-319-11	CERAMIC CHIP	0.1uF	50V	C2131	1-165-319-11	CERAMIC CHIP	0.1uF	50V
C2074	1-165-319-11	CERAMIC CHIP	0.1uF	50V	C2132	1-163-009-11	CERAMIC CHIP	0.001uF	10% 50V
C2075	1-165-319-11	CERAMIC CHIP	0.1uF	50V	C2133	1-165-319-11	CERAMIC CHIP	0.1uF	50V
C2076	1-119-824-31	ELECT	10uF	20% 50V (AEP)	C2134	1-165-319-11	CERAMIC CHIP	0.1uF	50V
C2076	1-119-824-11	ELECT	10uF	20% 50V (US, CND)	C2135	1-163-021-11	CERAMIC CHIP	0.01uF	10% 50V
C2076	1-135-743-11	ELECT	10uF	50V (TW, CH)	C2136	1-104-760-11	CERAMIC CHIP	0.047uF	10% 50V
C2077	1-165-319-11	CERAMIC CHIP	0.1uF	50V	C2137	1-119-799-11	ELECT	47uF	20% 25V (AEP)
C2078	1-119-824-31	ELECT	10uF	20% 50V (AEP)	C2137	1-128-840-11	ELECT	47uF	20% 16V (US, CND)
C2078	1-119-824-11	ELECT	10uF	20% 50V (US, CND)	C2137	1-135-708-91	ELECT	47uF	16V (TW, CH)
C2078	1-135-743-11	ELECT	10uF	50V (TW, CH)	C2138	1-165-319-11	CERAMIC CHIP	0.1uF	50V
C2079	1-165-319-11	CERAMIC CHIP	0.1uF	50V	C2139	1-119-822-11	ELECT	3.3uF	20% 50V (AEP)
C2080	1-165-319-11	CERAMIC CHIP	0.1uF	50V	C2139	1-119-822-11	ELECT	3.3uF	20% 50V (US, CND)
C2090	1-163-037-11	CERAMIC CHIP	0.022uF	10% 50V	C2139	1-135-741-91	ELECT	3.3uF	50V (TW, CH)
C2091	1-163-037-11	CERAMIC CHIP	0.022uF	10% 50V	C2140	1-119-825-41	ELECT	22uF	20% 50V (AEP)
C2092	1-163-037-11	CERAMIC CHIP	0.022uF	10% 50V	C2140	1-128-858-11	ELECT	22uF	20% 50V (US, CND)
C2093	1-163-037-11	CERAMIC CHIP	0.022uF	10% 50V	C2140	1-135-744-91	ELECT	22uF	50V (TW, CH)
C2094	1-163-037-11	CERAMIC CHIP	0.022uF	10% 50V	C2141	1-165-319-11	CERAMIC CHIP	0.1uF	50V
C2095	1-163-037-11	CERAMIC CHIP	0.022uF	10% 50V	C2142	1-163-229-11	CERAMIC CHIP	12PF	5% 50V
C2096	1-163-037-11	CERAMIC CHIP	0.022uF	10% 50V	C2143	1-163-227-11	CERAMIC CHIP	10PF	0.5PF 50V
C2097	1-163-037-11	CERAMIC CHIP	0.022uF	10% 50V	C2145	1-165-319-11	CERAMIC CHIP	0.1uF	50V
C2098	1-165-319-11	CERAMIC CHIP	0.1uF	50V	C2201	1-165-319-11	CERAMIC CHIP	0.1uF	50V
C2100	1-119-792-21	ELECT	470uF	20% 16V (AEP)	C2202	1-165-319-11	CERAMIC CHIP	0.1uF	50V
C2100	1-135-711-91	ELECT	470uF	16V (TW, CH)	C2203	1-165-319-11	CERAMIC CHIP	0.1uF	50V
C2101	1-163-251-11	CERAMIC CHIP	100PF	5% 50V (AEP)	C2204	1-165-319-11	CERAMIC CHIP	0.1uF	50V
C2103	1-163-251-11	CERAMIC CHIP	100PF	5% 50V	C2205	1-165-319-11	CERAMIC CHIP	0.1uF	50V
C2104	1-119-792-21	ELECT	470uF	20% 16V (AEP)	C2206	1-165-319-11	CERAMIC CHIP	0.1uF	50V
C2104	1-127-720-91	ELECT	470uF	20% 16V (US, CND)	C2207	1-165-319-11	CERAMIC CHIP	0.1uF	50V
C2104	1-135-711-91	ELECT	470uF	16V (TW, CH)	C2208	1-163-237-11	CERAMIC CHIP	27PF	5% 50V
C2121	1-163-005-91	CERAMIC CHIP	470PF	10% 50V	C2209	1-163-237-11	CERAMIC CHIP	27PF	5% 50V
C2122	1-165-319-11	CERAMIC CHIP	0.1uF	50V	C2210	1-165-319-11	CERAMIC CHIP	0.1uF	50V
C2123	1-163-251-11	CERAMIC CHIP	100PF	5% 50V	C2211	1-165-319-11	CERAMIC CHIP	0.1uF	50V
C2124	1-119-779-11	ELECT	220uF	20% 10V (AEP)	C2212	1-165-319-11	CERAMIC CHIP	0.1uF	50V
C2124	1-128-832-11	ELECT	220uF	20% 10V (US, CND)	C2213	1-165-319-11	CERAMIC CHIP	0.1uF	50V
C2124	1-135-667-91	ELECT	220uF	10V (TW, CH)	C2215	1-165-319-11	CERAMIC CHIP	0.1uF	50V
C2126	1-125-838-11	CERAMIC CHIP	2.2uF	10% 6.3V	C2216	1-165-319-11	CERAMIC CHIP	0.1uF	50V
C2127	1-165-319-11	CERAMIC CHIP	0.1uF	50V	C2219	1-165-319-11	CERAMIC CHIP	0.1uF	50V
C2128	1-119-791-31	ELECT	330uF	20% 16V (AEP)	C2220	1-165-319-11	CERAMIC CHIP	0.1uF	50V
C2128	1-128-846-11	ELECT	330uF	20% 25V (US, CND)	C2221	1-119-780-11	ELECT	330uF	20% 10V (AEP)
C2128	1-135-724-91	ELECT	330uF	16V (TW, CH)	C2221	1-128-833-91	ELECT	330uF	20% 10V (US, CND)
C2129	1-165-319-11	CERAMIC CHIP	0.1uF	50V	C2221	1-128-833-11	ELECT	330uF	20% 10V (TW, CH)
					C2222	1-119-792-21	ELECT	470uF	20% 16V (AEP)
					C2222	1-128-834-11	ELECT	470uF	20% 10V (US, CND)
					C2222	1-135-669-11	ELECT	470uF	10V (TW, CH)
					C2223	1-165-319-11	CERAMIC CHIP	0.1uF	50V

STR-DA5000ES

DIGITAL

Ref. No.	Part No.	Description	Remark	Ref. No.	Part No.	Description	Remark
C2224	1-165-319-11	CERAMIC CHIP 0.1uF	50V	C2401	1-165-319-11	CERAMIC CHIP 0.1uF	50V
C2225	1-165-319-11	CERAMIC CHIP 0.1uF	50V	C2402	1-165-319-11	CERAMIC CHIP 0.1uF	50V
C2227	1-165-319-11	CERAMIC CHIP 0.1uF	50V	C2403	1-165-319-11	CERAMIC CHIP 0.1uF	50V
C2228	1-165-319-11	CERAMIC CHIP 0.1uF	50V	C2404	1-165-319-11	CERAMIC CHIP 0.1uF	50V
C2251	1-165-319-11	CERAMIC CHIP 0.1uF	50V	C2405	1-119-800-11	ELECT 100uF	20% 25V (AEP)
C2252	1-165-319-11	CERAMIC CHIP 0.1uF	50V	C2405	1-127-718-91	ELECT 100uF	20% 16V (US, CND)
C2253	1-165-319-11	CERAMIC CHIP 0.1uF	50V	C2405	1-135-709-91	ELECT 100uF	16V (TW, CH)
C2254	1-165-319-11	CERAMIC CHIP 0.1uF	50V	C2406	1-165-319-11	CERAMIC CHIP 0.1uF	50V
C2255	1-165-319-11	CERAMIC CHIP 0.1uF	50V	C2426	1-165-319-11	CERAMIC CHIP 0.1uF	50V
C2256	1-165-319-11	CERAMIC CHIP 0.1uF	50V	C2427	1-165-319-11	CERAMIC CHIP 0.1uF	50V
C2257	1-165-319-11	CERAMIC CHIP 0.1uF	50V	C2428	1-165-319-11	CERAMIC CHIP 0.1uF	50V
C2258	1-165-319-11	CERAMIC CHIP 0.1uF	50V	C2429	1-165-319-11	CERAMIC CHIP 0.1uF	50V
C2259	1-165-319-11	CERAMIC CHIP 0.1uF	50V	C2430	1-165-319-11	CERAMIC CHIP 0.1uF	50V
C2260	1-165-319-11	CERAMIC CHIP 0.1uF	50V	C2431	1-165-319-11	CERAMIC CHIP 0.1uF	50V
C2261	1-165-319-11	CERAMIC CHIP 0.1uF	50V	C2433	1-119-800-11	ELECT 100uF	20% 25V (AEP)
C2262	1-165-319-11	CERAMIC CHIP 0.1uF	50V	C2433	1-127-718-91	ELECT 100uF	20% 16V (US, CND)
C2263	1-165-319-11	CERAMIC CHIP 0.1uF	50V	C2433	1-135-709-91	ELECT 100uF	16V (TW, CH)
C2264	1-165-319-11	CERAMIC CHIP 0.1uF	50V	C2434	1-165-319-11	CERAMIC CHIP 0.1uF	50V
C2265	1-165-319-11	CERAMIC CHIP 0.1uF	50V	C2435	1-163-251-11	CERAMIC CHIP 100PF	5% 50V
C2266	1-165-319-11	CERAMIC CHIP 0.1uF	50V	C2461	1-165-319-11	CERAMIC CHIP 0.1uF	50V
C2267	1-165-319-11	CERAMIC CHIP 0.1uF	50V	C2462	1-119-824-31	ELECT 10uF	20% 50V (AEP)
C2268	1-165-319-11	CERAMIC CHIP 0.1uF	50V	C2462	1-119-824-11	ELECT 10uF	20% 50V (US, CND)
C2269	1-165-319-11	CERAMIC CHIP 0.1uF	50V	C2462	1-135-743-11	ELECT 10uF	50V (TW, CH)
C2270	1-165-319-11	CERAMIC CHIP 0.1uF	50V	C2463	1-165-319-11	CERAMIC CHIP 0.1uF	50V
C2271	1-119-780-11	ELECT 330uF	20% 10V (AEP)	C2464	1-125-838-11	CERAMIC CHIP 2.2uF	10% 6.3V
C2271	1-128-833-91	ELECT 330uF	20% 10V (US, CND)	C2501	1-165-319-11	CERAMIC CHIP 0.1uF	50V
C2271	1-128-833-11	ELECT 330uF	20% 10V (TW, CH)	C2502	1-165-319-11	CERAMIC CHIP 0.1uF	50V
C2272	1-119-792-21	ELECT 470uF	20% 16V (AEP)	C2503	1-165-319-11	CERAMIC CHIP 0.1uF	50V
C2272	1-128-834-11	ELECT 470uF	20% 10V (US, CND)	C2504	1-119-800-11	ELECT 100uF	20% 25V (AEP)
C2272	1-135-669-11	ELECT 470uF	10V (TW, CH)	C2504	1-127-718-91	ELECT 100uF	20% 16V (US, CND)
C2274	1-165-319-11	CERAMIC CHIP 0.1uF	50V	C2504	1-135-709-91	ELECT 100uF	16V (TW, CH)
C2301	1-165-319-11	CERAMIC CHIP 0.1uF	50V	C2505	1-125-838-11	CERAMIC CHIP 2.2uF	10% 6.3V
C2302	1-165-319-11	CERAMIC CHIP 0.1uF	50V	C2506	1-163-021-11	CERAMIC CHIP 0.01uF	10% 50V
C2303	1-165-319-11	CERAMIC CHIP 0.1uF	50V	C2507	1-125-838-11	CERAMIC CHIP 2.2uF	10% 6.3V
C2304	1-165-319-11	CERAMIC CHIP 0.1uF	50V	C2508	1-125-838-11	CERAMIC CHIP 2.2uF	10% 6.3V
C2305	1-165-319-11	CERAMIC CHIP 0.1uF	50V	C2510	1-165-319-11	CERAMIC CHIP 0.1uF	50V
C2306	1-165-319-11	CERAMIC CHIP 0.1uF	50V	C2511	1-125-838-11	CERAMIC CHIP 2.2uF	10% 6.3V
C2307	1-119-800-11	ELECT 100uF	20% 25V (AEP)	C2529	1-165-319-11	CERAMIC CHIP 0.1uF	50V
C2307	1-127-718-91	ELECT 100uF	20% 16V (US, CND)	C2602	1-163-125-00	CERAMIC CHIP 220PF	5% 50V
C2307	1-135-709-91	ELECT 100uF	16V (TW, CH)	C2603	1-165-319-11	CERAMIC CHIP 0.1uF	50V
C2308	1-165-319-11	CERAMIC CHIP 0.1uF	50V	C2604	1-165-319-11	CERAMIC CHIP 0.1uF	50V
C2309	1-165-319-11	CERAMIC CHIP 0.1uF	50V	C2605	1-165-319-11	CERAMIC CHIP 0.1uF	50V
C2310	1-165-319-11	CERAMIC CHIP 0.1uF	50V	C2606	1-165-319-11	CERAMIC CHIP 0.1uF	50V
C2311	1-165-319-11	CERAMIC CHIP 0.1uF	50V	C2607	1-165-319-11	CERAMIC CHIP 0.1uF	50V
C2314	1-165-319-11	CERAMIC CHIP 0.1uF	50V	C2608	1-165-319-11	CERAMIC CHIP 0.1uF	50V
C2315	1-165-319-11	CERAMIC CHIP 0.1uF	50V	C2609	1-165-319-11	CERAMIC CHIP 0.1uF	50V
C2320	1-165-319-11	CERAMIC CHIP 0.1uF	50V	C2610	1-165-319-11	CERAMIC CHIP 0.1uF	50V
C2321	1-165-319-11	CERAMIC CHIP 0.1uF	50V	C2611	1-165-319-11	CERAMIC CHIP 0.1uF	50V
C2322	1-165-319-11	CERAMIC CHIP 0.1uF	50V				
C2323	1-165-319-11	CERAMIC CHIP 0.1uF	50V				

DIGITAL

Ref. No.	Part No.	Description	Remark	Ref. No.	Part No.	Description	Remark		
C2613	1-165-319-11	CERAMIC CHIP	0.1uF	50V	C2714	1-135-836-11	ELECT	2200uF	16V (TW, CH)
C2614	1-165-319-11	CERAMIC CHIP	0.1uF	50V	C2715	1-165-319-11	CERAMIC CHIP	0.1uF	50V
C2615	1-165-319-11	CERAMIC CHIP	0.1uF	50V	C2716	1-119-794-21	ELECT	2200uF	20% 16V (AEP)
C2616	1-165-319-11	CERAMIC CHIP	0.1uF	50V	C2716	1-127-722-51	ELECT	2200uF	20% 16V (US, CND)
C2617	1-165-319-11	CERAMIC CHIP	0.1uF	50V	C2716	1-135-836-11	ELECT	2200uF	16V (TW, CH)
C2618	1-165-319-11	CERAMIC CHIP	0.1uF	50V	C2717	1-165-319-11	CERAMIC CHIP	0.1uF	50V
C2619	1-165-319-11	CERAMIC CHIP	0.1uF	50V	C2718	1-119-794-21	ELECT	2200uF	20% 16V (AEP)
C2620	1-165-319-11	CERAMIC CHIP	0.1uF	50V	C2718	1-127-722-51	ELECT	2200uF	20% 16V (US, CND)
C2621	1-165-319-11	CERAMIC CHIP	0.1uF	50V	C2718	1-135-836-11	ELECT	2200uF	16V (TW, CH)
C2622	1-119-800-11	ELECT	100uF	20% 25V (AEP)	C2719	1-165-319-11	CERAMIC CHIP	0.1uF	50V
C2622	1-127-718-91	ELECT	100uF	20% 16V (US, CND)	C2720	1-165-319-11	CERAMIC CHIP	0.1uF	50V
C2622	1-135-709-91	ELECT	100uF	16V (TW, CH)	C2722	1-119-800-11	ELECT	100uF	20% 25V (AEP)
C2623	1-165-319-11	CERAMIC CHIP	0.1uF	50V	C2722	1-127-718-91	ELECT	100uF	20% 16V (US, CND)
C2624	1-165-319-11	CERAMIC CHIP	0.1uF	50V	C2722	1-135-709-91	ELECT	100uF	16V (TW, CH)
C2625	1-165-319-11	CERAMIC CHIP	0.1uF	50V	C2723	1-165-319-11	CERAMIC CHIP	0.1uF	50V
C2626	1-165-319-11	CERAMIC CHIP	0.1uF	50V	< CONNECTOR >				
C2627	1-165-319-11	CERAMIC CHIP	0.1uF	50V	CN2001	1-691-765-11	PLUG (MICRO CONNECTOR) 3P		
C2628	1-165-319-11	CERAMIC CHIP	0.1uF	50V	CN2006	1-784-796-11	CONNECTOR, FFC 35P		
C2629	1-165-319-11	CERAMIC CHIP	0.1uF	50V	CN2007	1-784-778-11	CONNECTOR, FFC 17P		
C2630	1-165-319-11	CERAMIC CHIP	0.1uF	50V	CN2008	1-784-784-11	CONNECTOR, FFC 23P		
C2631	1-165-319-11	CERAMIC CHIP	0.1uF	50V	CN2051	1-568-830-11	CONNECTOR, FFC 11P (EXCEPT AEP)		
C2632	1-165-319-11	CERAMIC CHIP	0.1uF	50V	CN2051	1-784-776-11	CONNECTOR, FFC 15P (AEP)		
C2633	1-165-319-11	CERAMIC CHIP	0.1uF	50V	CN2052	1-784-927-11	PIN, CONNECTOR 12P		
C2634	1-119-820-31	ELECT	1uF	20% 50V (AEP)	CN2053	1-784-928-11	PIN, CONNECTOR 13P		
C2634	1-119-820-11	ELECT	1uF	20% 50V (US, CND)	CN2675	1-794-002-11	CONNECTOR 13P		
C2634	1-135-739-91	ELECT	1uF	50V (TW, CH)	CN2685	1-794-003-11	CONNECTOR 15P		
C2635	1-165-319-11	CERAMIC CHIP	0.1uF	50V	CN2701	1-784-926-11	PIN, CONNECTOR 11P		
C2701	1-165-319-11	CERAMIC CHIP	0.1uF	50V	CN2730	1-564-320-00	PIN, CONNECTOR (3.96mm PITCH) 2P		
C2702	1-165-319-11	CERAMIC CHIP	0.1uF	50V	CN2801	1-784-926-11	PIN, CONNECTOR 11P		
C2703	1-163-251-11	CERAMIC CHIP	100PF	5% 50V	CN2802	1-564-320-00	PIN, CONNECTOR (3.96mm PITCH) 2P		
C2704	1-165-319-11	CERAMIC CHIP	0.1uF	50V	< DIODE >				
C2705	1-165-319-11	CERAMIC CHIP	0.1uF	50V	D1101	8-719-988-61	DIODE 1SS355TE-17		
C2706	1-165-319-11	CERAMIC CHIP	0.1uF	50V	D2000	8-719-073-35	DIODE RB551V-30TE-17		
C2707	1-163-021-11	CERAMIC CHIP	0.01uF	10% 50V	D2010	8-719-988-61	DIODE 1SS355TE-17		
C2708	1-165-319-11	CERAMIC CHIP	0.1uF	50V	D2122	8-719-988-61	DIODE 1SS355TE-17		
C2709	1-163-017-00	CERAMIC CHIP	0.0047uF	10% 50V	D2601	8-719-801-78	DIODE 1SS184		
C2710	1-119-800-11	ELECT	100uF	20% 25V (AEP)	D2602	8-719-988-61	DIODE 1SS355TE-17		
C2710	1-127-718-91	ELECT	100uF	20% 16V (US, CND)	D2701	8-719-801-78	DIODE 1SS184		
C2710	1-135-709-91	ELECT	100uF	16V (TW, CH)	D2702	8-719-801-78	DIODE 1SS184		
C2711	1-165-319-11	CERAMIC CHIP	0.1uF	50V	< FERRITE BEAD/SHORT >				
C2712	1-119-799-11	ELECT	47uF	20% 25V (AEP)	FB1101	1-469-152-11	FERRITE, EMI (SMD) (2012)		
C2712	1-128-840-11	ELECT	47uF	20% 16V (US, CND)	FB1103	1-469-152-11	FERRITE, EMI (SMD) (2012)		
C2712	1-135-708-91	ELECT	47uF	16V (TW, CH)	FB1104	1-469-152-11	FERRITE, EMI (SMD) (2012)		
C2714	1-119-794-21	ELECT	2200uF	20% 16V (AEP)	FB1105	1-469-152-11	FERRITE, EMI (SMD) (2012)		
C2714	1-127-722-51	ELECT	2200uF	20% 16V (US, CND)	FB1106	1-216-295-00	SHORT CHIP	0	
					FB1107	1-216-295-00	SHORT CHIP	0	

DIGITAL

Ref. No.	Part No.	Description	Remark	Ref. No.	Part No.	Description	Remark
FB1108	1-216-295-00	SHORT CHIP	0	IC2121	8-759-825-15	IC LC89056W-E	
FB1109	1-216-295-00	SHORT CHIP	0	IC2122	8-759-523-84	IC TC74VHC14FT (EL)	
FB1270	1-469-152-11	FERRITE, EMI (SMD) (2012)		IC2123	8-759-546-74	IC TC7WH157FU (TE12R)	
FB2000	1-469-152-11	FERRITE, EMI (SMD) (2012)					
FB2001	1-469-152-11	FERRITE, EMI (SMD) (2012)		IC2124	8-759-447-77	IC TC7WH74FU (TE12R)	
FB2002	1-469-152-11	FERRITE, EMI (SMD) (2012)		IC2125	8-759-096-87	IC TC7WU04FU (TE12R)	
FB2003	1-469-152-11	FERRITE, EMI (SMD) (2012)		IC2201	6-702-047-01	IC CXD9718Q	
FB2004	1-469-152-11	FERRITE, EMI (SMD) (2012)		IC2202	6-704-037-01	IC IC61LV6416-15TG	
FB2005	1-469-152-11	FERRITE, EMI (SMD) (2012)		IC2203	8-759-196-96	IC TC7SH08FU-TE85R	
FB2006	1-469-152-11	FERRITE, EMI (SMD) (2012)		IC2204	8-759-523-78	IC TC74VHC00FT (EL)	
FB2007	1-216-295-00	SHORT CHIP	0	IC2206	8-759-835-63	IC NJM2391DL1-26 (TE1)	
FB2008	1-216-295-00	SHORT CHIP	0	IC2207	8-759-546-74	IC TC7WH157FU (TE12R)	
FB2050	1-469-152-11	FERRITE, EMI (SMD) (2012)		IC2251	6-704-421-01	IC CXD9782R	
FB2051	1-469-152-11	FERRITE, EMI (SMD) (2012)		IC2252	6-704-037-01	IC IC61LV6416-15TG	
FB2153	1-469-144-21	FERRITE, EMI (SMD) (2012)		IC2253	6-704-037-01	IC IC61LV6416-15TG	
FB2154	1-469-144-21	FERRITE, EMI (SMD) (2012)		IC2254	8-759-196-96	IC TC7SH08FU-TE85R	
FB2155	1-216-295-00	SHORT CHIP	0	IC2255	8-759-835-63	IC NJM2391DL1-26 (TE1)	
FB2156	1-469-139-21	FERRITE, EMI (SMD) (2012)		IC2301	6-702-288-01	IC CXD9722TQ	
FB2201	1-469-152-11	FERRITE, EMI (SMD) (2012)		IC2302	(Not supplied)	IC MSM56V16160F-10T4FM1	
FB2202	1-469-152-11	FERRITE, EMI (SMD) (2012)		IC2303	8-759-196-96	IC TC7SH08FU-TE85R	
FB2252	1-469-152-11	FERRITE, EMI (SMD) (2012)		IC2304	8-759-447-77	IC TC7WH74FU (TE12R)	
FB2253	1-469-152-11	FERRITE, EMI (SMD) (2012)		IC2305	8-759-180-84	IC TC7W74F	
FB2301	1-469-152-11	FERRITE, EMI (SMD) (2012)		IC2401	6-803-008-01	IC ISPLSI2032VE-110LTN44-MOD	
FB2310	1-469-144-21	FERRITE, EMI (SMD) (2012)		IC2402	8-759-447-77	IC TC7WH74FU (TE12R)	
FB2401	1-469-152-11	FERRITE, EMI (SMD) (2012)		IC2403	8-759-531-92	IC TC7WH04FU (TE12R)	
FB2426	1-469-152-11	FERRITE, EMI (SMD) (2012)		IC2404	8-759-392-01	IC TC7SH86FU-TE85R	
FB2461	1-469-152-11	FERRITE, EMI (SMD) (2012)		IC2426	6-803-008-01	IC ISPLSI2032VE-110LTN44-MOD	
FB2501	1-469-152-11	FERRITE, EMI (SMD) (2012)		IC2427	8-759-392-01	IC TC7SH86FU-TE85R	
FB2502	1-469-152-11	FERRITE, EMI (SMD) (2012)		IC2428	8-759-491-46	IC TC74VHCT04AFT (EL)	
FB2601	1-469-152-11	FERRITE, EMI (SMD) (2012)		IC2429	8-759-523-95	IC TC74VHC74FT (EL)	
FB2674	1-469-152-11	FERRITE, EMI (SMD) (2012)		IC2430	8-759-447-77	IC TC7WH74FU (TE12R)	
FB2675	1-469-152-11	FERRITE, EMI (SMD) (2012)		IC2461	8-759-233-44	IC TC74HC595AF	
FB2676	1-469-152-11	FERRITE, EMI (SMD) (2012)		IC2462	8-759-233-44	IC TC74HC595AF	
FB2677	1-469-152-11	FERRITE, EMI (SMD) (2012)		IC2501	8-759-523-30	IC TC74AC541FT (EL)	
FB2685	1-469-152-11	FERRITE, EMI (SMD) (2012)		IC2502	8-759-523-30	IC TC74AC541FT (EL)	
FB2701	1-469-152-11	FERRITE, EMI (SMD) (2012)		IC2503	8-759-523-30	IC TC74AC541FT (EL)	
		< IC >		IC2504	8-759-443-08	IC TC7W241FU-TE12R	
IC2000	6-600-014-01	IC TORX141L (DIGITAL, CD/SACD OPTICAL IN)		IC2601	6-802-972-01	IC MB91F155-3ES-X105	
IC2001	6-600-012-11	IC TOTX141L (RED) (DIGITAL, MD/DAT OPTICAL OUT)		IC2603	8-759-641-86	IC BR24C16F-E2	
IC2002	6-600-014-01	IC TORX141L (DIGITAL, MD/DAT OPTICAL IN)		IC2604	8-759-277-63	IC TC7W14FU (TE12R)	
IC2003	6-600-014-01	IC TORX141L (DIGITAL, TV/SAT OPTICAL IN)		IC2605	8-759-058-62	IC TC7S08FU (TE85R)	
IC2004	6-600-014-01	IC TORX141L (DIGITAL, DVD OPTICAL IN)		IC2701	8-759-666-99	IC TMP87CH447U-1F23	
IC2005	8-759-236-19	IC TC74HC151AF (EL)		IC2702	8-759-008-37	IC MC74HC4050F	
IC2006	8-759-233-64	IC TC74HCU04AF		IC2703	8-759-008-37	IC MC74HC4050F	
IC2007	8-759-566-06	IC TC7WH08FU (TE12R)		IC2704	8-759-238-47	IC TC74HCT7007AF (EL)	
IC2008	8-759-233-44	IC TC74HC595AF		IC2705	8-759-058-62	IC TC7S08FU (TE85R)	
IC2009	8-759-196-96	IC TC7SH08FU-TE85R		IC2706	6-702-912-01	IC S-80942CNMC-G9CT2G	
IC2010	6-701-834-01	IC PCM1802DBR		IC2708	8-759-238-47	IC TC74HCT7007AF (EL)	
IC2011	8-759-447-77	IC TC7WH74FU (TE12R)				< JACK >	
IC2012	6-704-013-01	IC DSD1800DBR		J2000	1-817-958-11	JACK, PIN 2P	
IC2013	6-704-013-01	IC DSD1800DBR				< SHORT >	
IC2014	6-704-013-01	IC DSD1800DBR		JW2011	1-216-295-00	SHORT CHIP	0
IC2015	6-704-013-01	IC DSD1800DBR		JW2012	1-216-295-00	SHORT CHIP	0
IC2101	8-759-647-10	IC uPC2933HF (AEP)				< TRANSISTOR >	
				Q2122	8-729-027-43	TRANSISTOR	DTC114EKA-T146

DIGITAL

Ref. No.	Part No.	Description	Remark	Ref. No.	Part No.	Description	Remark
Q2123	8-729-027-43	TRANSISTOR	DTC114EKA-T146	R2030	1-208-462-41	RES-CHIP	1K 2% 1/10W
Q2601	8-729-027-43	TRANSISTOR	DTC114EKA-T146	R2031	1-216-627-11	METAL CHIP	100 0.5% 1/10W
Q2602	8-729-024-91	TRANSISTOR	2SC2712-GL-TE85L	R2032	1-216-627-11	METAL CHIP	100 0.5% 1/10W
Q2603	8-729-024-91	TRANSISTOR	2SC2712-GL-TE85L	R2033	1-216-627-11	METAL CHIP	100 0.5% 1/10W
Q2701	8-729-024-91	TRANSISTOR	2SC2712-GL-TE85L	R2035	1-208-462-41	RES-CHIP	1K 2% 1/10W
Q2702	8-729-024-91	TRANSISTOR	2SC2712-GL-TE85L	R2036	1-216-627-11	METAL CHIP	100 0.5% 1/10W
Q2703	8-729-027-43	TRANSISTOR	DTC114EKA-T146	R2037	1-216-627-11	METAL CHIP	100 0.5% 1/10W
< RESISTOR/FERRITE BEAD >				R2038	1-216-627-11	METAL CHIP	100 0.5% 1/10W
R2000	1-208-410-41	RES-CHIP	75 2% 1/8W	R2040	1-208-462-41	RES-CHIP	1K 2% 1/10W
			(EXCEPT AEP)	R2041	1-216-627-11	METAL CHIP	100 0.5% 1/10W
R2000	1-259-909-11	CARBON MELF	75 2% 1/8W	R2042	1-208-462-41	RES-CHIP	1K 2% 1/10W
			(AEP)	R2043	1-208-462-41	RES-CHIP	1K 2% 1/10W
R2001	1-208-410-41	RES-CHIP	75 2% 1/8W	R2050	1-216-627-11	METAL CHIP	100 0.5% 1/10W
			(EXCEPT AEP)	R2051	1-216-627-11	METAL CHIP	100 0.5% 1/10W
R2001	1-259-909-11	CARBON MELF	75 2% 1/8W	R2052	1-216-627-11	METAL CHIP	100 0.5% 1/10W
			(AEP)	R2053	1-216-627-11	METAL CHIP	100 0.5% 1/10W
R2002	1-216-627-11	METAL CHIP	100 0.5% 1/10W	R2054	1-216-627-11	METAL CHIP	100 0.5% 1/10W
R2003	1-216-627-11	METAL CHIP	100 0.5% 1/10W	R2055	1-216-627-11	METAL CHIP	100 0.5% 1/10W
R2004	1-216-627-11	METAL CHIP	100 0.5% 1/10W	R2056	1-216-627-11	METAL CHIP	100 0.5% 1/10W
R2005	1-216-627-11	METAL CHIP	100 0.5% 1/10W	R2057	1-216-627-11	METAL CHIP	100 0.5% 1/10W
R2006	1-216-190-00	RES-CHIP	470 2% 1/8W				(AEP)
			(EXCEPT AEP)	R2058	1-216-627-11	METAL CHIP	100 0.5% 1/10W
R2006	1-259-991-11	CARBON MELF	470 2% 1/8W				(AEP)
			(AEP)	R2059	1-216-627-11	METAL CHIP	100 0.5% 1/10W
							(AEP)
R2007	1-216-190-00	RES-CHIP	470 2% 1/8W	R2121	1-208-558-41	RES-CHIP	1M 2% 1/10W
			(EXCEPT AEP)	R2122	1-216-627-11	METAL CHIP	100 0.5% 1/10W
R2007	1-259-991-11	CARBON MELF	470 2% 1/8W	R2125	1-208-526-41	RES-CHIP	47K 2% 1/10W
			(AEP)	R2128	1-216-671-11	METAL CHIP	6.8K 0.5% 1/10W
R2008	1-216-262-00	RES-CHIP	470K 2% 1/8W	R2129	1-208-800-11	METAL CHIP	5.6K 0.5% 1/10W
			(EXCEPT AEP)	R2130	1-208-462-41	RES-CHIP	1K 2% 1/10W
R2008	1-260-028-11	CARBON MELF	470K 2% 1/8W	R2131	1-208-462-41	RES-CHIP	1K 2% 1/10W
			(AEP)	R2132	1-216-627-11	METAL CHIP	100 0.5% 1/10W
R2009	1-216-262-00	RES-CHIP	470K 2% 1/8W				
			(EXCEPT AEP)	R2133	1-216-627-11	METAL CHIP	100 0.5% 1/10W
R2009	1-260-028-11	CARBON MELF	470K 2% 1/8W	R2134	1-208-437-41	RES-CHIP	1K 2% 1/10W
			(AEP)	R2135	1-208-558-41	RES-CHIP	1M 2% 1/10W
R2010	1-216-295-00	SHORT CHIP	0	R2136	1-216-627-11	METAL CHIP	100 0.5% 1/10W
R2011	1-216-238-00	RES-CHIP	47K 2% 1/8W	R2137	1-216-627-11	METAL CHIP	100 0.5% 1/10W
			(EXCEPT AEP)	R2138	1-216-627-11	METAL CHIP	100 0.5% 1/10W
R2011	1-260-016-11	CARBON MELF	47K 2% 1/8W	R2139	1-216-627-11	METAL CHIP	100 0.5% 1/10W
			(AEP)	R2140	1-208-453-41	RES-CHIP	4.7K 2% 1/10W
R2012	1-216-627-11	METAL CHIP	100 0.5% 1/10W	R2141	1-208-526-41	RES-CHIP	47K 2% 1/10W
R2013	1-216-627-11	METAL CHIP	100 0.5% 1/10W	R2142	1-208-299-41	RES-CHIP	3.3 2% 1/10W
R2014	1-216-238-00	RES-CHIP	47K 2% 1/8W				
			(EXCEPT AEP)	R2143	1-216-635-11	METAL CHIP	220 0.5% 1/10W
R2014	1-260-016-11	CARBON MELF	47K 2% 1/8W	R2144	1-216-699-11	METAL CHIP	100K 0.5% 1/10W
			(AEP)	R2145	1-208-462-41	RES-CHIP	1K 2% 1/10W
R2015	1-208-462-41	RES-CHIP	1K 2% 1/10W	R2148	1-216-295-00	SHORT CHIP	0
R2016	1-216-627-11	METAL CHIP	100 0.5% 1/10W	R2152	1-216-627-11	METAL CHIP	100 0.5% 1/10W
R2017	1-208-462-41	RES-CHIP	1K 2% 1/10W	R2155	1-216-627-11	METAL CHIP	100 0.5% 1/10W
R2018	1-216-627-11	METAL CHIP	100 0.5% 1/10W	R2156	1-216-627-11	METAL CHIP	100 0.5% 1/10W
R2019	1-216-627-11	METAL CHIP	100 0.5% 1/10W	R2157	1-216-295-00	SHORT CHIP	0
R2020	1-216-627-11	METAL CHIP	100 0.5% 1/10W	R2158	1-216-627-11	METAL CHIP	100 0.5% 1/10W
R2021	1-216-627-11	METAL CHIP	100 0.5% 1/10W	R2201	1-216-627-11	METAL CHIP	100 0.5% 1/10W
R2022	1-216-627-11	METAL CHIP	100 0.5% 1/10W	R2202	1-208-462-41	RES-CHIP	1K 2% 1/10W
R2024	1-216-295-00	SHORT CHIP	0	R2203	1-216-627-11	METAL CHIP	100 0.5% 1/10W
R2026	1-216-627-11	METAL CHIP	100 0.5% 1/10W	R2205	1-216-635-11	METAL CHIP	220 0.5% 1/10W
R2027	1-216-627-11	METAL CHIP	100 0.5% 1/10W	R2206	1-216-295-00	SHORT CHIP	0
R2028	1-216-627-11	METAL CHIP	100 0.5% 1/10W	R2207	1-216-627-11	METAL CHIP	100 0.5% 1/10W

DIGITAL

Ref. No.	Part No.	Description	Quantity	Tolerance	Temp. Coef.	Remark	Ref. No.	Part No.	Description	Quantity	Tolerance	Temp. Coef.	Remark
R2347	1-216-627-11	METAL CHIP	100	0.5%	1/10W		R2508	1-216-619-11	METAL CHIP	47	0.5%	1/10W	
R2348	1-216-627-11	METAL CHIP	100	0.5%	1/10W		R2509	1-216-619-11	METAL CHIP	47	0.5%	1/10W	
R2349	1-216-627-11	METAL CHIP	100	0.5%	1/10W								
R2351	1-216-627-11	METAL CHIP	100	0.5%	1/10W		R2510	1-216-619-11	METAL CHIP	47	0.5%	1/10W	
R2352	1-216-627-11	METAL CHIP	100	0.5%	1/10W		R2511	1-216-619-11	METAL CHIP	47	0.5%	1/10W	
							R2512	1-216-619-11	METAL CHIP	47	0.5%	1/10W	
R2353	1-216-627-11	METAL CHIP	100	0.5%	1/10W		R2513	1-216-619-11	METAL CHIP	47	0.5%	1/10W	
R2354	1-216-627-11	METAL CHIP	100	0.5%	1/10W		R2514	1-469-144-21	FERRITE, EMI (SMD) (2012)				
R2360	1-216-627-11	METAL CHIP	100	0.5%	1/10W								
R2361	1-216-627-11	METAL CHIP	100	0.5%	1/10W		R2515	1-216-619-11	METAL CHIP	47	0.5%	1/10W	
R2362	1-216-627-11	METAL CHIP	100	0.5%	1/10W		R2516	1-216-619-11	METAL CHIP	47	0.5%	1/10W	
							R2517	1-216-619-11	METAL CHIP	47	0.5%	1/10W	
R2363	1-216-627-11	METAL CHIP	100	0.5%	1/10W		R2518	1-216-619-11	METAL CHIP	47	0.5%	1/10W	
R2364	1-216-627-11	METAL CHIP	100	0.5%	1/10W		R2519	1-216-619-11	METAL CHIP	47	0.5%	1/10W	
R2365	1-216-627-11	METAL CHIP	100	0.5%	1/10W								
R2401	1-216-627-11	METAL CHIP	100	0.5%	1/10W		R2520	1-216-619-11	METAL CHIP	47	0.5%	1/10W	
R2402	1-216-627-11	METAL CHIP	100	0.5%	1/10W		R2521	1-216-619-11	METAL CHIP	47	0.5%	1/10W	
							R2522	1-216-619-11	METAL CHIP	47	0.5%	1/10W	
R2403	1-216-627-11	METAL CHIP	100	0.5%	1/10W		R2523	1-216-619-11	METAL CHIP	47	0.5%	1/10W	
R2404	1-216-295-00	SHORT CHIP	0				R2524	1-216-619-11	METAL CHIP	47	0.5%	1/10W	
R2405	1-216-627-11	METAL CHIP	100	0.5%	1/10W								
R2406	1-216-627-11	METAL CHIP	100	0.5%	1/10W		R2525	1-216-619-11	METAL CHIP	47	0.5%	1/10W	
R2407	1-216-627-11	METAL CHIP	100	0.5%	1/10W		R2526	1-208-462-41	RES-CHIP	1K	2%	1/10W	
							R2527	1-208-462-41	RES-CHIP	1K	2%	1/10W	
R2408	1-216-627-11	METAL CHIP	100	0.5%	1/10W		R2528	1-216-619-11	METAL CHIP	47	0.5%	1/10W	
R2409	1-216-627-11	METAL CHIP	100	0.5%	1/10W		R2529	1-216-619-11	METAL CHIP	47	0.5%	1/10W	
R2410	1-216-627-11	METAL CHIP	100	0.5%	1/10W								
R2411	1-216-627-11	METAL CHIP	100	0.5%	1/10W		R2565	1-216-627-11	METAL CHIP	100	0.5%	1/10W	
R2412	1-216-627-11	METAL CHIP	100	0.5%	1/10W		R2566	1-216-627-11	METAL CHIP	100	0.5%	1/10W	
							R2567	1-216-627-11	METAL CHIP	100	0.5%	1/10W	
R2413	1-216-627-11	METAL CHIP	100	0.5%	1/10W		R2568	1-216-627-11	METAL CHIP	100	0.5%	1/10W	
R2414	1-216-627-11	METAL CHIP	100	0.5%	1/10W		R2569	1-216-627-11	METAL CHIP	100	0.5%	1/10W	
R2415	1-216-627-11	METAL CHIP	100	0.5%	1/10W								
R2416	1-216-627-11	METAL CHIP	100	0.5%	1/10W		R2570	1-216-627-11	METAL CHIP	100	0.5%	1/10W	
R2417	1-216-627-11	METAL CHIP	100	0.5%	1/10W		R2600	1-208-462-41	RES-CHIP	1K	2%	1/10W	
							R2601	1-208-462-41	RES-CHIP	1K	2%	1/10W	
R2418	1-208-462-41	RES-CHIP	1K	2%	1/10W		R2602	1-208-462-41	RES-CHIP	1K	2%	1/10W	
R2419	1-208-462-41	RES-CHIP	1K	2%	1/10W		R2604	1-208-462-41	RES-CHIP	1K	2%	1/10W	
R2420	1-208-462-41	RES-CHIP	1K	2%	1/10W								
R2426	1-216-627-11	METAL CHIP	100	0.5%	1/10W		R2605	1-208-462-41	RES-CHIP	1K	2%	1/10W	
R2427	1-216-295-00	SHORT CHIP	0				R2606	1-208-462-41	RES-CHIP	1K	2%	1/10W	
							R2607	1-208-462-41	RES-CHIP	1K	2%	1/10W	
R2428	1-216-627-11	METAL CHIP	100	0.5%	1/10W		R2608	1-208-462-41	RES-CHIP	1K	2%	1/10W	
R2429	1-216-627-11	METAL CHIP	100	0.5%	1/10W		R2609	1-216-627-11	METAL CHIP	100	0.5%	1/10W	
R2430	1-208-462-41	RES-CHIP	1K	2%	1/10W								
R2431	1-208-462-41	RES-CHIP	1K	2%	1/10W		R2612	1-208-462-41	RES-CHIP	1K	2%	1/10W	
R2432	1-208-437-41	RES-CHIP	1K	2%	1/10W		R2613	1-208-453-41	RES-CHIP	4.7K	2%	1/10W	(TW, CH)
							R2613	1-216-671-11	METAL CHIP	6.8K	0.5%	1/10W	(AEP)
R2433	1-216-627-11	METAL CHIP	100	0.5%	1/10W		R2614	1-208-437-41	RES-CHIP	1K	2%	1/10W	(TW, CH)
R2434	1-216-627-11	METAL CHIP	100	0.5%	1/10W								
R2435	1-216-627-11	METAL CHIP	100	0.5%	1/10W		R2614	1-216-295-00	SHORT CHIP	0 (US, CND, AEP)			
R2436	1-216-627-11	METAL CHIP	100	0.5%	1/10W								
R2437	1-216-627-11	METAL CHIP	100	0.5%	1/10W		R2615	1-208-462-41	RES-CHIP	1K	2%	1/10W	
							R2616	1-208-462-41	RES-CHIP	1K	2%	1/10W	
R2438	1-216-627-11	METAL CHIP	100	0.5%	1/10W		R2617	1-208-462-41	RES-CHIP	1K	2%	1/10W	
R2439	1-208-437-41	RES-CHIP	1K	2%	1/10W		R2618	1-208-462-41	RES-CHIP	1K	2%	1/10W	
R2440	1-216-627-11	METAL CHIP	100	0.5%	1/10W		R2619	1-208-462-41	RES-CHIP	1K	2%	1/10W	
R2441	1-216-627-11	METAL CHIP	100	0.5%	1/10W								
R2461	1-208-462-41	RES-CHIP	1K	2%	1/10W		R2620	1-208-462-41	RES-CHIP	1K	2%	1/10W	
							R2621	1-208-462-41	RES-CHIP	1K	2%	1/10W	
R2500	1-216-699-11	METAL CHIP	100K	0.5%	1/10W		R2622	1-208-462-41	RES-CHIP	1K	2%	1/10W	
R2501	1-216-699-11	METAL CHIP	100K	0.5%	1/10W		R2623	1-208-462-41	RES-CHIP	1K	2%	1/10W	
R2502	1-208-462-41	RES-CHIP	1K	2%	1/10W		R2624	1-208-462-41	RES-CHIP	1K	2%	1/10W	
R2503	1-216-619-11	METAL CHIP	47	0.5%	1/10W								
R2504	1-216-619-11	METAL CHIP	47	0.5%	1/10W		R2625	1-208-462-41	RES-CHIP	1K	2%	1/10W	
							R2626	1-208-462-41	RES-CHIP	1K	2%	1/10W	
R2505	1-216-627-11	METAL CHIP	100	0.5%	1/10W		R2627	1-216-627-11	METAL CHIP	100	0.5%	1/10W	
R2506	1-216-619-11	METAL CHIP	47	0.5%	1/10W								
R2507	1-216-619-11	METAL CHIP	47	0.5%	1/10W								

STR-DA5000ES

DIGITAL

Ref. No.	Part No.	Description	Quantity	Lot %	Remark	Ref. No.	Part No.	Description	Quantity	Lot %	Remark
R2629	1-216-627-11	METAL CHIP	100	0.5%	1/10W	R2694	1-216-627-11	METAL CHIP	100	0.5%	1/10W
R2630	1-208-462-41	RES-CHIP	1K	2%	1/10W	R2695	1-216-627-11	METAL CHIP	100	0.5%	1/10W
R2631	1-216-627-11	METAL CHIP	100	0.5%	1/10W	R2696	1-216-627-11	METAL CHIP	100	0.5%	1/10W
R2632	1-216-627-11	METAL CHIP	100	0.5%	1/10W	R2697	1-216-627-11	METAL CHIP	100	0.5%	1/10W
R2633	1-216-627-11	METAL CHIP	100	0.5%	1/10W	R2699	1-216-627-11	METAL CHIP	100	0.5%	1/10W
R2634	1-216-627-11	METAL CHIP	100	0.5%	1/10W	R2701	1-216-627-11	METAL CHIP	100	0.5%	1/10W
R2635	1-216-627-11	METAL CHIP	100	0.5%	1/10W	R2702	1-208-462-41	RES-CHIP	1K	2%	1/10W
R2636	1-208-462-41	RES-CHIP	1K	2%	1/10W	R2703	1-216-603-11	METAL CHIP	10	0.5%	1/10W
R2637	1-208-518-41	RES-CHIP	22K	2%	1/10W	R2704	1-208-462-41	RES-CHIP	1K	2%	1/10W
R2638	1-216-627-11	METAL CHIP	100	0.5%	1/10W	R2705	1-216-627-11	METAL CHIP	100	0.5%	1/10W
R2639	1-216-627-11	METAL CHIP	100	0.5%	1/10W	R2706	1-208-462-41	RES-CHIP	1K	2%	1/10W
R2640	1-216-689-11	METAL CHIP	39K	0.5%	1/10W	R2707	1-208-453-41	RES-CHIP	4.7K	2%	1/10W
R2641	1-216-689-11	METAL CHIP	39K	0.5%	1/10W	R2708	1-208-462-41	RES-CHIP	1K	2%	1/10W
R2642	1-216-627-11	METAL CHIP	100	0.5%	1/10W	R2709	1-208-462-41	RES-CHIP	1K	2%	1/10W
R2643	1-216-627-11	METAL CHIP	100	0.5%	1/10W	R2710	1-208-462-41	RES-CHIP	1K	2%	1/10W
R2644	1-208-462-41	RES-CHIP	1K	2%	1/10W	R2711	1-208-462-41	RES-CHIP	1K	2%	1/10W
R2645	1-208-462-41	RES-CHIP	1K	2%	1/10W	R2712	1-208-462-41	RES-CHIP	1K	2%	1/10W
R2646	1-216-627-11	METAL CHIP	100	0.5%	1/10W	R2713	1-208-558-41	RES-CHIP	1M	2%	1/10W
R2647	1-216-627-11	METAL CHIP	100	0.5%	1/10W	R2714	1-208-462-41	RES-CHIP	1K	2%	1/10W
R2648	1-216-627-11	METAL CHIP	100	0.5%	1/10W	R2715	1-208-462-41	RES-CHIP	1K	2%	1/10W
R2649	1-216-627-11	METAL CHIP	100	0.5%	1/10W	R2716	1-208-462-41	RES-CHIP	1K	2%	1/10W
R2650	1-208-462-41	RES-CHIP	1K	2%	1/10W	R2717	1-208-462-41	RES-CHIP	1K	2%	1/10W
R2651	1-208-810-11	METAL CHIP	15K	0.5%	1/10W	R2718	1-208-462-41	RES-CHIP	1K	2%	1/10W
R2652	1-208-462-41	RES-CHIP	1K	2%	1/10W	R2719	1-208-462-41	RES-CHIP	1K	2%	1/10W
R2653	1-208-462-41	RES-CHIP	1K	2%	1/10W	R2720	1-216-627-11	METAL CHIP	100	0.5%	1/10W
R2654	1-208-462-41	RES-CHIP	1K	2%	1/10W	R2721	1-208-462-41	RES-CHIP	1K	2%	1/10W
R2655	1-208-449-41	RES-CHIP	3.3K	2%	1/10W	R2722	1-216-627-11	METAL CHIP	100	0.5%	1/10W
R2656	1-208-449-41	RES-CHIP	3.3K	2%	1/10W	R2723	1-216-627-11	METAL CHIP	100	0.5%	1/10W
R2657	1-208-462-41	RES-CHIP	1K	2%	1/10W	R2724	1-216-627-11	METAL CHIP	100	0.5%	1/10W
R2658	1-216-699-11	METAL CHIP	100K	0.5%	1/10W	R2725	1-216-627-11	METAL CHIP	100	0.5%	1/10W
R2659	1-216-627-11	METAL CHIP	100	0.5%	1/10W	R2726	1-208-462-41	RES-CHIP	1K	2%	1/10W
R2660	1-216-627-11	METAL CHIP	100	0.5%	1/10W	R2727	1-208-462-41	RES-CHIP	1K	2%	1/10W
R2661	1-216-627-11	METAL CHIP	100	0.5%	1/10W	R2728	1-216-627-11	METAL CHIP	100	0.5%	1/10W
R2662	1-216-627-11	METAL CHIP	100	0.5%	1/10W	R2729	1-216-627-11	METAL CHIP	100	0.5%	1/10W
R2663	1-216-627-11	METAL CHIP	100	0.5%	1/10W	R2730	1-208-462-41	RES-CHIP	1K	2%	1/10W
R2664	1-216-627-11	METAL CHIP	100	0.5%	1/10W	R2732	1-208-437-41	RES-CHIP	1K	2%	1/10W
R2665	1-216-627-11	METAL CHIP	100	0.5%	1/10W	R2733	1-208-445-41	RES-CHIP	2.2K	2%	1/10W
R2666	1-208-445-41	RES-CHIP	2.2K	2%	1/10W	R2733	1-208-449-41	RES-CHIP	3.3K	2%	1/10W
R2670	1-216-627-11	METAL CHIP	100	0.5%	1/10W	R2801	1-216-627-11	METAL CHIP	100	0.5%	1/10W
R2671	1-216-627-11	METAL CHIP	100	0.5%	1/10W	R2802	1-216-627-11	METAL CHIP	100	0.5%	1/10W
R2672	1-216-627-11	METAL CHIP	100	0.5%	1/10W	R2803	1-216-627-11	METAL CHIP	100	0.5%	1/10W
R2673	1-216-627-11	METAL CHIP	100	0.5%	1/10W	R2804	1-216-627-11	METAL CHIP	100	0.5%	1/10W
R2674	1-216-627-11	METAL CHIP	100	0.5%	1/10W	R2805	1-216-627-11	METAL CHIP	100	0.5%	1/10W
R2675	1-216-627-11	METAL CHIP	100	0.5%	1/10W	R2806	1-216-627-11	METAL CHIP	100	0.5%	1/10W
R2676	1-208-462-41	RES-CHIP	1K	2%	1/10W	R2807	1-216-627-11	METAL CHIP	100	0.5%	1/10W
R2677	1-216-627-11	METAL CHIP	100	0.5%	1/10W	R2808	1-216-627-11	METAL CHIP	100	0.5%	1/10W
R2678	1-216-627-11	METAL CHIP	100	0.5%	1/10W	R2810	1-216-627-11	METAL CHIP	100	0.5%	1/10W
R2679	1-216-627-11	METAL CHIP	100	0.5%	1/10W	R2814	1-216-295-00	SHORT CHIP	0 (EXCEPT US, CND)		
R2680	1-216-627-11	METAL CHIP	100	0.5%	1/10W	R2830	1-216-627-11	METAL CHIP	100	0.5%	1/10W
R2681	1-216-627-11	METAL CHIP	100	0.5%	1/10W	R2831	1-216-627-11	METAL CHIP	100	0.5%	1/10W
R2682	1-216-627-11	METAL CHIP	100	0.5%	1/10W	R2832	1-216-627-11	METAL CHIP	100	0.5%	1/10W
R2683	1-216-627-11	METAL CHIP	100	0.5%	1/10W	R2833	1-216-627-11	METAL CHIP	100	0.5%	1/10W
R2685	1-216-627-11	METAL CHIP	100	0.5%	1/10W	< VIBRATOR >					
R2686	1-216-627-11	METAL CHIP	100	0.5%	1/10W	X1101	1-795-219-21	VIBRATOR, CRYSTAL (24.576MHz)			
R2687	1-216-627-11	METAL CHIP	100	0.5%	1/10W	X2201	1-781-527-21	VIBRATOR, CRYSTAL (13.5MHz)			
R2688	1-216-627-11	METAL CHIP	100	0.5%	1/10W						
R2689	1-216-627-11	METAL CHIP	100	0.5%	1/10W						
R2690	1-216-627-11	METAL CHIP	100	0.5%	1/10W						

DIGITAL

FL

Ref. No.	Part No.	Description	Remark	Ref. No.	Part No.	Description	Remark
X2251	1-795-264-21	VIBRATOR, CERAMIC (13.5MHz)				< FLUORESCENT INDICATOR TUBE >	
X2601	1-795-179-21	VIBRATOR, CERAMIC (16.5MHz)					
X2701	1-767-938-21	VIBRATOR, CERAMIC (7.28MHz)		FL1001	1-518-906-11	INDICATOR TUBE, FLUORESCENT	

	A-4733-990-A	FL BOARD, COMPLETE (EXCEPT AEP: BLACK)				< IC >	
	A-4734-079-A	FL BOARD, COMPLETE (AEP: BLACK)		IC1001	8-759-827-69	IC NJL63H400A-1	
		*****		IC1002	8-759-238-47	IC TC74HCT7007AF (EL)	
				IC1003	8-759-238-47	IC TC74HCT7007AF (EL)	
				IC1004	8-759-342-19	IC NJU3716M-T2	
	2-389-320-01	CUSHION				< COIL >	
	4-246-106-01	HOLDER (FL)		L1001	1-456-519-11	COIL, CHOKE 150uH	
		< CAPACITOR >				< TRANSISTOR >	
C1001	1-124-589-11	ELECT 47uF 20% 16V		Q1001	8-729-808-42	TRANSISTOR 2SD1624-T	
C1002	1-165-319-11	CERAMIC CHIP 0.1uF 50V		Q1002	8-729-808-42	TRANSISTOR 2SD1624-T	
C1003	1-165-319-11	CERAMIC CHIP 0.1uF 50V				< RESISTOR >	
C1008	1-124-589-11	ELECT 47uF 20% 16V		R1001	1-216-001-00	RES-CHIP 10 5% 1/10W	
C1009	1-165-319-11	CERAMIC CHIP 0.1uF 50V		R1002	1-249-385-11	CARBON 2.2 5% 1/4W	
C1010	1-126-795-11	ELECT 10uF 20% 50V		R1003	1-249-385-11	CARBON 2.2 5% 1/4W	
C1011	1-165-319-11	CERAMIC CHIP 0.1uF 50V		R1004	1-216-025-11	RES-CHIP 100 5% 1/10W	
C1012	1-163-251-11	CERAMIC CHIP 100PF 5% 50V		R1005	1-216-025-11	RES-CHIP 100 5% 1/10W	
C1013	1-163-251-11	CERAMIC CHIP 100PF 5% 50V		R1006	1-216-025-11	RES-CHIP 100 5% 1/10W	
C1014	1-165-319-11	CERAMIC CHIP 0.1uF 50V		R1007	1-216-025-11	RES-CHIP 100 5% 1/10W	
C1018	1-165-726-31	ELECT 56uF 20% 16V		R1008	1-216-025-11	RES-CHIP 100 5% 1/10W	
C1019	1-107-381-91	MYLAR 0.012uF 5% 200V		R1009	1-216-025-11	RES-CHIP 100 5% 1/10W	
C1020	1-165-319-11	CERAMIC CHIP 0.1uF 50V		R1010	1-216-025-11	RES-CHIP 100 5% 1/10W	
C1021	1-165-746-31	ELECT 22uF 20% 50V		R1011	1-216-025-11	RES-CHIP 100 5% 1/10W	
C1022	1-165-319-11	CERAMIC CHIP 0.1uF 50V		R1012	1-216-025-11	RES-CHIP 100 5% 1/10W	
C1034	1-126-916-11	ELECT 1000uF 20% 6.3V		R1013	1-216-025-11	RES-CHIP 100 5% 1/10W	
C1038	1-165-746-31	ELECT 22uF 20% 50V		R1014	1-216-025-11	RES-CHIP 100 5% 1/10W	
		< CONNECTOR >		R1015	1-216-025-11	RES-CHIP 100 5% 1/10W	
CN1001	1-784-739-11	CONNECTOR, FFC 17P		R1016	1-216-049-11	RES-CHIP 1K 5% 1/10W	
CN1002	1-784-784-11	CONNECTOR, FFC 23P		R1017	1-216-049-11	RES-CHIP 1K 5% 1/10W	
* CN1003	1-564-719-11	PIN, CONNECTOR (SMALL TYPE) 3P		R1018	1-216-089-11	RES-CHIP 47K 5% 1/10W	
CN1007	1-785-819-11	HOUSING, CONNECTOR (PC BOARD) 15P		R1020	1-216-037-00	RES-CHIP 330 5% 1/10W	
		< DIODE >		R1021	1-216-037-00	RES-CHIP 330 5% 1/10W	
D1002	8-719-075-59	LED SELS5B23C-TP15 (Digital Cinema Sound)		R1022	1-216-022-00	RES-CHIP 75 5% 1/10W	
D1003	8-719-070-83	LED SELU5E20C-TP15 (MULTI CHANNEL DECODING)		R1023	1-216-073-00	RES-CHIP 1K 5% 1/10W	
D1004	8-719-313-50	LED SEL6810A-TH12 (PHONO)		R1024	1-216-029-00	RES-CHIP 150 5% 1/10W	
D1005	8-719-313-50	LED SEL6810A-TH12 (TUNER)		R1026	1-216-073-00	RES-CHIP 1K 5% 1/10W	
D1006	8-719-313-50	LED SEL6810A-TH12 (CD/SACD)		R1027	1-216-065-00	RES-CHIP 4.7K 5% 1/10W	
D1007	8-719-313-50	LED SEL6810A-TH12 (MD/DAT)		R1028	1-216-057-00	RES-CHIP 2.2K 5% 1/10W	
D1008	8-719-313-50	LED SEL6810A-TH12 (TAPE)		R1029	1-216-057-00	RES-CHIP 2.2K 5% 1/10W	
D1009	8-719-313-50	LED SEL6810A-TH12 (TV/SAT)		R1030	1-216-049-11	RES-CHIP 1K 5% 1/10W	
D1010	8-719-313-50	LED SEL6810A-TH12 (DVD)		R1031	1-216-073-00	RES-CHIP 1K 5% 1/10W	
D1011	8-719-313-50	LED SEL6810A-TH12 (VIDEO3)		R1032	1-216-065-00	RES-CHIP 4.7K 5% 1/10W	
D1012	8-719-313-50	LED SEL6810A-TH12 (VIDEO2)		R1033	1-216-057-00	RES-CHIP 2.2K 5% 1/10W	
D1013	8-719-313-50	LED SEL6810A-TH12 (VIDEO1)		R1034	1-216-057-00	RES-CHIP 2.2K 5% 1/10W	
D1015	8-719-041-97	DIODE MA113- (TX)		R1035	1-216-049-11	RES-CHIP 1K 5% 1/10W	
D1016	8-719-041-97	DIODE MA113- (TX)		R1036	1-216-065-00	RES-CHIP 4.7K 5% 1/10W	
D1017	8-719-041-97	DIODE MA113- (TX)		R1037	1-216-025-11	RES-CHIP 100 5% 1/10W	
D1018	8-719-041-97	DIODE MA113- (TX)		R1038	1-216-025-11	RES-CHIP 100 5% 1/10W	
D1019	8-719-056-84	DIODE UDZ-TE-17-7.5B		R1039	1-216-081-00	RES-CHIP 22K 5% 1/10W	
D1027	6-500-540-01	DIODE RB521S-30FTE61		R1040	1-216-295-00	SHORT CHIP 0	

STR-DA5000ES

FL **FUNCTION** **HP** **JOG** **KEY** **LED**

Ref. No.	Part No.	Description	Remark
		< SWITCH >	
S1001	1-771-349-21	SWITCH, KEYBOARD (SURR BACK DECODING)	
S1002	1-771-349-21	SWITCH, KEYBOARD (MULTI CH IN 1/2)	
S1003	1-771-349-21	SWITCH, KEYBOARD (DIRECT)	
S1004	1-771-349-21	SWITCH, KEYBOARD (DECODE PRIORITY)	
S1005	1-771-349-21	SWITCH, KEYBOARD (DISPLAY)	
S1006	1-771-349-21	SWITCH, KEYBOARD (USER PRESET)	
S1007	1-771-349-21	SWITCH, KEYBOARD (MEMORY/ENTER)	
S1008	1-771-349-21	SWITCH, KEYBOARD (FM/AM)	
S1009	1-771-349-21	SWITCH, KEYBOARD (TUNING +)	
S1010	1-771-349-21	SWITCH, KEYBOARD (TUNING -)	
S1011	1-771-349-21	SWITCH, KEYBOARD (PRESET TUNING +)	
S1012	1-771-349-21	SWITCH, KEYBOARD (PRESET TUNING -)	
		< TRANSFORMER >	
T1001	1-439-837-11	TRANSFORMER, DC-DC CONVERTER (EXCEPT AEP: BLACK)	
T1001	1-439-838-11	TRANSFORMER, DC-DC CONVERTER (AEP: BLACK)	

	1-688-726-11	FUNCTION BOARD *****	
		< CONNECTOR >	
* CN1005	1-564-720-11	PIN, CONNECTOR (SMALL TYPE) 4P	
		< RESISTOR >	
R1055	1-216-065-00	RES-CHIP 4.7K 5% 1/10W	
		< ROTARY ENCODER >	
RV1006	1-418-589-11	ENCODER, ROTARY (INPUT SELECTOR)	
		< SWITCH >	
S1014	1-771-349-21	SWITCH, KEYBOARD (INPUT MODE)	

	1-688-723-11	HP BOARD *****	
		< CAPACITOR >	
C1025	1-165-319-11	CERAMIC CHIP 0.1uF 50V	
C1026	1-164-161-11	CERAMIC CHIP 0.0022uF 10% 50V	
C1027	1-164-161-11	CERAMIC CHIP 0.0022uF 10% 50V	
C1041	1-165-319-11	CERAMIC CHIP 0.1uF 50V	
		< CONNECTOR >	
* CN1011	1-564-704-11	PIN, CONNECTOR (SMALL TYPE) 2P	
CN1012	1-779-978-11	PIN, CONNECTOR 3P	
		< JACK >	
J1001	1-815-313-21	JACK (PHONES)	
		< SHORT >	
JW1011	1-216-295-00	SHORT CHIP 0	
JW1012	1-216-295-00	SHORT CHIP 0	

Ref. No.	Part No.	Description	Remark
JW1013	1-216-295-00	SHORT CHIP 0	
JW1014	1-216-295-00	SHORT CHIP 0	

	1-688-724-11	JOG BOARD *****	
		< CONNECTOR >	
CN1013	1-785-820-11	CONNECTOR, BOARD TO BOARD 15P	
		< DIODE >	
D1025	8-719-988-61	DIODE 1SS355TE-17	
D1026	8-719-988-61	DIODE 1SS355TE-17	
		< RESISTOR >	
R1043	1-216-089-11	RES-CHIP 47K 5% 1/10W	
R1044	1-216-089-11	RES-CHIP 47K 5% 1/10W	
R1045	1-216-089-11	RES-CHIP 47K 5% 1/10W	
R1046	1-216-089-11	RES-CHIP 47K 5% 1/10W	
		< ROTARY ENCODER >	
RV1001	1-478-017-11	ENCODER, ROTARY (BASS)	
RV1002	1-478-017-11	ENCODER, ROTARY (TREBLE)	
RV1003	1-478-017-11	ENCODER, ROTARY (MAIN MENU)	
RV1004	1-478-017-11	ENCODER, ROTARY (MENU)	
RV1005	1-478-017-11	ENCODER, ROTARY (-/+)	
		< SWITCH >	
SW1001	1-762-684-11	SWITCH, ROTARY (SPEAKERS)	

	1-688-729-11	KEY BOARD *****	
		< RESISTOR >	
R1056	1-216-057-00	RES-CHIP 2.2K 5% 1/10W	
R1057	1-216-057-00	RES-CHIP 2.2K 5% 1/10W	
R1058	1-216-049-11	RES-CHIP 1K 5% 1/10W	
		< SWITCH >	
S1015	1-771-349-21	SWITCH, KEYBOARD (MUSIC)	
S1016	1-771-349-21	SWITCH, KEYBOARD (MOVIE)	
S1017	1-771-349-21	SWITCH, KEYBOARD (A.F.D.)	
S1018	1-771-349-21	SWITCH, KEYBOARD (2CH)	

	1-688-731-11	LED BOARD *****	
		< CONNECTOR >	
CN1021	1-564-718-11	PIN, CONNECTOR (SMALL TYPE) 2P	
		< LED >	
D1014	8-719-313-66	LED SEL6410E-TH12 (DIRECT)	
		< RESISTOR >	
R1025	1-216-029-00	RES-CHIP 150 5% 1/10W	

POWER SW							POWER SW SUB			PRE-OUT		
Ref. No.	Part No.	Description	Remark				Ref. No.	Part No.	Description	Remark		
	A-4733-995-A	POWER SW BOARD, COMPLETE *****					C2839	1-163-251-11	CERAMIC CHIP	100PF	5%	50V
		< CAPACITOR >					C2851	1-165-319-11	CERAMIC CHIP	0.1uF		50V
C1023	1-163-021-11	CERAMIC CHIP	0.01uF	10%	50V	C2865	1-128-858-11	ELECT	22uF	20%	50V	
C1024	1-163-021-11	CERAMIC CHIP	0.01uF	10%	50V							
		< CONNECTOR >					C2866	1-128-832-11	ELECT	220uF	20%	10V
* CN1010	1-564-720-11	PIN, CONNECTOR (SMALL TYPE) 4P					C2867	1-137-505-11	MYLAR	220PF	5%	100V
CN1022	1-506-481-11	CONNECTOR PIN 2P					C2868	1-128-858-11	ELECT	22uF	20%	50V
		< DIODE >					C2869	1-163-251-11	CERAMIC CHIP	100PF	5%	50V
D1020	8-719-059-14	LED SID313BP-TP19 (IR RECEPTOR)					C2872	1-163-021-11	CERAMIC CHIP	0.01uF	10%	50V
D1021	8-719-075-86	LED SID307BRTP19 (IR RECEPTOR)					C2873	1-164-161-11	CERAMIC CHIP	0.0022uF	10%	50V
D1022	8-719-075-86	LED SID307BRTP19 (IR RECEPTOR)					C2874	1-164-161-11	CERAMIC CHIP	0.0022uF	10%	50V
D1023	8-719-988-61	DIODE 1SS355TE-17					C2884	1-216-295-00	SHORT CHIP	0		
D1024	8-719-988-61	DIODE 1SS355TE-17					C2885	1-128-858-11	ELECT	22uF	20%	50V
		< IC >					C2886	1-128-832-11	ELECT	220uF	20%	10V
IC1005	8-759-242-70	IC TC7WU04F					C2887	1-137-505-11	MYLAR	220PF	5%	100V
		< TRANSISTOR >					C2888	1-128-858-11	ELECT	22uF	20%	50V
Q1003	8-729-801-93	TRANSISTOR 2SD1387-3					C2889	1-163-251-11	CERAMIC CHIP	100PF	5%	50V
Q1004	8-729-801-93	TRANSISTOR 2SD1387-3					C2901	1-165-319-11	CERAMIC CHIP	0.1uF		50V
		< RESISTOR >					C2915	1-128-858-11	ELECT	22uF	20%	50V
R1041	1-216-298-00	RES-CHIP	2.2	5%	1/10W	C2916	1-128-832-11	ELECT	220uF	20%	10V	
R1042	1-216-298-00	RES-CHIP	2.2	5%	1/10W	C2917	1-137-505-11	MYLAR	220PF	5%	100V	

	1-860-316-11	POWER SW SUB BOARD *****					C2918	1-128-858-11	ELECT	22uF	20%	50V
		< SWITCH >					C2919	1-163-251-11	CERAMIC CHIP	100PF	5%	50V
S1013	1-771-349-21	SWITCH, KEYBOARD (I/O)					C2922	1-163-021-11	CERAMIC CHIP	0.01uF	10%	50V

	A-4734-012-A	PRE-OUT BOARD, COMPLETE (US, CND) *****					C2923	1-164-161-11	CERAMIC CHIP	0.0022uF	10%	50V
		< CAPACITOR >					C2924	1-164-161-11	CERAMIC CHIP	0.0022uF	10%	50V
C2801	1-165-319-11	CERAMIC CHIP	0.1uF		50V	C2934	1-216-295-00	SHORT CHIP	0			
C2802	1-165-319-11	CERAMIC CHIP	0.1uF		50V	C2935	1-128-858-11	ELECT	22uF	20%	50V	
C2805	1-126-395-11	ELECT CHIP	22uF	20%	16V	C2936	1-128-832-11	ELECT	220uF	20%	10V	
C2806	1-126-395-11	ELECT CHIP	22uF	20%	16V							
C2815	1-128-858-11	ELECT	22uF	20%	50V	C2937	1-137-505-11	MYLAR	220PF	5%	100V	
C2816	1-128-832-11	ELECT	220uF	20%	10V	C2938	1-128-858-11	ELECT	22uF	20%	50V	
C2817	1-137-505-11	MYLAR	220PF	5%	100V	C2939	1-163-251-11	CERAMIC CHIP	100PF	5%	50V	
C2818	1-128-858-11	ELECT	22uF	20%	50V	C2951	1-165-319-11	CERAMIC CHIP	0.1uF		50V	
C2819	1-163-251-11	CERAMIC CHIP	100PF	5%	50V	C2965	1-128-858-11	ELECT	22uF	20%	50V	
C2822	1-163-021-11	CERAMIC CHIP	0.01uF	10%	50V							
C2823	1-164-161-11	CERAMIC CHIP	0.0022uF	10%	50V	C2966	1-128-832-11	ELECT	220uF	20%	10V	
C2824	1-164-161-11	CERAMIC CHIP	0.0022uF	10%	50V	C2967	1-137-505-11	MYLAR	220PF	5%	100V	
C2834	1-216-295-00	SHORT CHIP	0			C2968	1-128-858-11	ELECT	22uF	20%	50V	
C2835	1-128-858-11	ELECT	22uF	20%	50V	C2969	1-163-251-11	CERAMIC CHIP	100PF	5%	50V	
C2836	1-128-832-11	ELECT	220uF	20%	10V	C2972	1-163-021-11	CERAMIC CHIP	0.01uF	10%	50V	
C2837	1-137-505-11	MYLAR	220PF	5%	100V							
C2838	1-128-858-11	ELECT	22uF	20%	50V	C2973	1-164-161-11	CERAMIC CHIP	0.0022uF	10%	50V	
		< CONNECTOR >					C2974	1-164-161-11	CERAMIC CHIP	0.0022uF	10%	50V
		< DIODE >					C2983	1-216-295-00	SHORT CHIP	0		
D2801	8-719-988-61	DIODE 1SS355TE-17					C2985	1-128-858-11	ELECT	22uF	20%	50V
D2851	8-719-988-61	DIODE 1SS355TE-17					C2986	1-128-832-11	ELECT	220uF	20%	10V
D2901	8-719-988-61	DIODE 1SS355TE-17										
D2951	8-719-988-61	DIODE 1SS355TE-17					C2987	1-137-505-11	MYLAR	220PF	5%	100V
		< CONNECTOR >					C2988	1-128-858-11	ELECT	22uF	20%	50V
		< DIODE >					C2989	1-163-251-11	CERAMIC CHIP	100PF	5%	50V
		< DIODE >					CN2902	1-691-765-11	PLUG (MICRO CONNECTOR) 3P			
		< DIODE >					CN2903	1-779-977-11	PIN, CONNECTOR 6P			
		< DIODE >					CN2904	1-784-929-11	PIN, CONNECTOR 14P			

PRE-OUT

Ref. No.	Part No.	Description	Remark	Ref. No.	Part No.	Description	Remark	
< IC >								
IC2812	6-702-387-01	IC CXD9725M		R2870	1-208-826-11	METAL CHIP 68K 0.5%	1/10W	
IC2813	8-759-832-29	IC NJM4580M-(TE2)		R2872	1-216-627-11	METAL CHIP 100 0.5%	1/10W	
IC2862	6-702-387-01	IC CXD9725M		R2873	1-208-437-41	RES-CHIP 1K 2%	1/10W	
IC2863	8-759-832-29	IC NJM4580M-(TE2)		R2887	1-208-437-41	RES-CHIP 1K 2%	1/10W	
IC2912	6-702-387-01	IC CXD9725M		R2888	1-216-013-00	RES-CHIP 33 5%	1/10W	
IC2913	8-759-832-29	IC NJM4580M-(TE2)		R2889	1-216-097-11	RES-CHIP 100K 5%	1/10W	
IC2962	6-702-387-01	IC CXD9725M		R2890	1-208-826-11	METAL CHIP 68K 0.5%	1/10W	
IC2963	8-759-832-29	IC NJM4580M-(TE2)		R2892	1-216-627-11	METAL CHIP 100 0.5%	1/10W	
< JACK >								
J2815	1-817-959-11	JACK, PIN 2P (SUB WOOFER AUDIO OUT, PREOUT CENTER)		R2893	1-208-437-41	RES-CHIP 1K 2%	1/10W	
J2875	1-793-525-11	JACK, PIN 2P (PREOUT SURROUND BACK)		R2902	1-216-065-00	RES-CHIP 4.7K 5%	1/10W	
J2915	1-793-525-11	JACK, PIN 2P (PREOUT SURROUND)		R2903	1-216-073-00	RES-CHIP 1K 5%	1/10W	
J2975	1-793-525-11	JACK, PIN 2P (PREOUT FRONT)		△R2904	1-249-393-11	CARBON 10 5%	1/4W F	
< COIL >								
L2801	1-410-509-11	MICRO INDUCTOR	10uH	R2905	1-216-097-11	RES-CHIP 100K 5%	1/10W	
< TRANSISTOR >								
Q2800	8-729-027-24	TRANSISTOR	DTA114TKA-T146	R2906	1-216-295-00	SHORT CHIP 0		
Q2801	8-729-230-49	TRANSISTOR	2SC2712-YG	R2907	1-216-295-00	SHORT CHIP 0		
Q2851	8-729-230-49	TRANSISTOR	2SC2712-YG	R2908	1-216-295-00	SHORT CHIP 0		
Q2901	8-729-230-49	TRANSISTOR	2SC2712-YG	R2917	1-208-437-41	RES-CHIP 1K 2%	1/10W	
Q2951	8-729-230-49	TRANSISTOR	2SC2712-YG	R2918	1-216-013-00	RES-CHIP 33 5%	1/10W	
< RESISTOR >								
R2802	1-216-065-00	RES-CHIP	4.7K 5%	1/10W	R2919	1-216-097-11	RES-CHIP 100K 5%	1/10W
R2803	1-216-073-00	RES-CHIP	1K 5%	1/10W	R2920	1-208-826-11	METAL CHIP 68K 0.5%	1/10W
△R2804	1-249-393-11	CARBON	10 5%	1/4W F	R2922	1-216-627-11	METAL CHIP 100 0.5%	1/10W
R2805	1-216-097-11	RES-CHIP	100K 5%	1/10W	R2923	1-208-437-41	RES-CHIP 1K 2%	1/10W
R2806	1-216-295-00	SHORT CHIP	0		R2937	1-208-437-41	RES-CHIP 1K 2%	1/10W
R2807	1-216-295-00	SHORT CHIP	0		R2938	1-216-013-00	RES-CHIP 33 5%	1/10W
R2808	1-216-295-00	SHORT CHIP	0		R2939	1-216-097-11	RES-CHIP 100K 5%	1/10W
R2817	1-208-437-41	RES-CHIP	1K 2%	1/10W	R2940	1-208-826-11	METAL CHIP 68K 0.5%	1/10W
R2818	1-216-013-00	RES-CHIP	33 5%	1/10W	R2942	1-216-627-11	METAL CHIP 100 0.5%	1/10W
R2819	1-216-097-11	RES-CHIP	100K 5%	1/10W	R2943	1-208-437-41	RES-CHIP 1K 2%	1/10W
R2820	1-208-826-11	METAL CHIP	68K 0.5%	1/10W	R2952	1-216-065-00	RES-CHIP 4.7K 5%	1/10W
R2822	1-216-627-11	METAL CHIP	100 0.5%	1/10W	R2953	1-216-073-00	RES-CHIP 1K 5%	1/10W
R2824	1-208-437-41	RES-CHIP	1K 2%	1/10W	△R2954	1-249-393-11	CARBON 10 5%	1/4W F
R2835	1-216-097-11	RES-CHIP	100K 5%	1/10W	R2956	1-216-295-00	SHORT CHIP 0	
R2837	1-208-437-41	RES-CHIP	1K 2%	1/10W	R2957	1-216-295-00	SHORT CHIP 0	
R2838	1-216-013-00	RES-CHIP	33 5%	1/10W	R2958	1-216-295-00	SHORT CHIP 0	
R2839	1-216-699-11	METAL CHIP	100K 0.5%	1/10W	R2967	1-208-437-41	RES-CHIP 1K 2%	1/10W
R2840	1-208-826-11	METAL CHIP	68K 0.5%	1/10W	R2968	1-216-013-00	RES-CHIP 33 5%	1/10W
R2842	1-216-627-11	METAL CHIP	100 0.5%	1/10W	R2969	1-216-097-11	RES-CHIP 100K 5%	1/10W
R2844	1-208-437-41	RES-CHIP	1K 2%	1/10W	R2970	1-208-826-11	METAL CHIP 68K 0.5%	1/10W
R2852	1-216-065-00	RES-CHIP	4.7K 5%	1/10W	R2972	1-216-627-11	METAL CHIP 100 0.5%	1/10W
R2853	1-216-073-00	RES-CHIP	1K 5%	1/10W	R2973	1-208-437-41	RES-CHIP 1K 2%	1/10W
△R2854	1-249-393-11	CARBON	10 5%	1/4W F	R2987	1-208-437-41	RES-CHIP 1K 2%	1/10W
R2855	1-216-097-11	RES-CHIP	100K 5%	1/10W	R2988	1-216-013-00	RES-CHIP 33 5%	1/10W
R2856	1-216-295-00	SHORT CHIP	0		R2989	1-216-097-11	RES-CHIP 100K 5%	1/10W
R2857	1-216-295-00	SHORT CHIP	0		R2990	1-208-826-11	METAL CHIP 68K 0.5%	1/10W
R2858	1-216-295-00	SHORT CHIP	0		R2992	1-216-627-11	METAL CHIP 100 0.5%	1/10W
R2867	1-208-437-41	RES-CHIP	1K 2%	1/10W	R2993	1-208-437-41	RES-CHIP 1K 2%	1/10W
R2868	1-216-013-00	RES-CHIP	33 5%	1/10W	< RELAY >			
R2869	1-216-699-11	METAL CHIP	100K 0.5%	1/10W	RY2801	1-755-486-11	RELAY	
				RY2851	1-755-486-11	RELAY		
				RY2901	1-755-486-11	RELAY		
				RY2951	1-755-486-11	RELAY		

The components identified by mark △ or dotted line with mark △ are critical for safety. Replace only with part number specified.	Les composants identifiés par une marque △ sont critiques pour la sécurité. Ne les remplacer que par une pièce portant le numéro spécifié.	以阴影和 △标志来识别的零部件，在安全方面具有关键性。因此只能以规定号码的零部件来更换。
--	--	--

REG

Ref. No.	Part No.	Description	Remark	Ref. No.	Part No.	Description	Remark
A-4734-008-A	REG BOARD, COMPLETE (US, CND)			C938	1-119-824-11	ELECT	10uF 20% 50V (US, CND)
A-4734-088-A	REG BOARD, COMPLETE (EXCEPT US, CND)	*****		C939	1-165-319-11	CERAMIC CHIP	0.1uF 50V (US, CND)
7-685-646-79	SCREW +BVTP 3X8 TYPE2 IT-3			C940	1-128-832-11	ELECT	220uF 20% 10V (US, CND)
	< CAPACITOR >			C941	1-119-824-31	ELECT	10uF 20% 50V (EXCEPT US, CND)
C905	1-137-150-11	MYLAR	0.01uF 5% 100V	C942	1-119-801-21	ELECT	220uF 20% 25V (EXCEPT US, CND)
C906	1-165-319-11	CERAMIC CHIP	0.1uF 50V	C943	1-165-319-11	CERAMIC CHIP	0.1uF 50V (EXCEPT US, CND)
C907	1-119-793-11	ELECT	1000uF 20% 16V (EXCEPT US, CND)	C944	1-165-319-11	CERAMIC CHIP	0.1uF 50V (EXCEPT US, CND)
C907	1-127-720-91	ELECT	470uF 20% 16V (US, CND)	C945	1-119-801-21	ELECT	220uF 20% 25V (EXCEPT US, CND)
C908	1-165-319-11	CERAMIC CHIP	0.1uF 50V	C947	1-165-319-11	CERAMIC CHIP	0.1uF 50V
C909	1-119-825-11	ELECT	22uF 20% 50V (EXCEPT US, CND)	C948	1-119-824-31	ELECT	10uF 20% 50V (EXCEPT US, CND)
C909	1-128-858-11	ELECT	22uF 20% 50V (US, CND)	C948	1-119-824-11	ELECT	10uF 20% 50V (US, CND)
C910	1-119-857-21	ELECT	470uF 20% 100V (EXCEPT US, CND)	C949	1-165-319-11	CERAMIC CHIP	0.1uF 50V (US, CND)
C910	1-128-889-51	ELECT	470uF 20% 100V (US, CND)	C950	1-128-839-11	ELECT	33uF 20% 16V (US, CND)
C911	1-100-188-11	MYLAR	0.75uF 5% 250V	C951	1-127-718-91	ELECT	100uF 20% 16V
C913	1-100-694-11	ELECT	12000uF 20% 71V	C960	1-119-835-31	ELECT	33uF 20% 63V (EXCEPT US, CND)
C914	1-100-188-11	MYLAR	0.75uF 5% 250V	C960	1-128-839-11	ELECT	33uF 20% 16V (US, CND)
C915	1-127-718-91	ELECT	100uF 20% 16V	C961	1-128-839-11	ELECT	33uF 20% 16V (US, CND)
C916	1-165-319-11	CERAMIC CHIP	0.1uF 50V	C962	1-128-839-11	ELECT	33uF 20% 16V (US, CND)
C917	1-127-718-91	ELECT	100uF 20% 16V	C963	1-128-839-11	ELECT	33uF 20% 16V (US, CND)
C918	1-165-319-11	CERAMIC CHIP	0.1uF 50V	C964	1-128-839-11	ELECT	33uF 20% 16V (US, CND)
C919	1-127-718-91	ELECT	100uF 20% 16V	C965	1-128-839-11	ELECT	33uF 20% 16V (US, CND)
C920	1-165-319-11	CERAMIC CHIP	0.1uF 50V	C966	1-128-839-11	ELECT	33uF 20% 16V (US, CND)
C921	1-135-660-51	ELECT	6800uF 6.3V (EXCEPT US, CND)	C967	1-128-839-11	ELECT	33uF 20% 16V (US, CND)
C921	1-137-662-91	ELECT	6800uF 20% 6.3V (US, CND)	C968	1-137-365-11	MYLAR	0.0015uF 5% 50V
C922	1-165-319-11	CERAMIC CHIP	0.1uF 50V	C969	1-137-365-11	MYLAR	0.0015uF 5% 50V (US, CND)
C923	1-135-660-51	ELECT	6800uF 6.3V (EXCEPT US, CND)	C970	1-137-365-11	MYLAR	0.0015uF 5% 50V (US, CND)
C923	1-137-662-91	ELECT	6800uF 20% 6.3V (US, CND)	C971	1-137-365-11	MYLAR	0.0015uF 5% 50V (US, CND)
C924	1-165-319-11	CERAMIC CHIP	0.1uF 50V	C972	1-137-365-11	MYLAR	0.0015uF 5% 50V (US, CND)
C925	1-165-319-11	CERAMIC CHIP	0.1uF 50V	C973	1-137-365-11	MYLAR	0.0015uF 5% 50V (US, CND)
C926	1-127-718-91	ELECT	100uF 20% 16V	C974	1-137-365-11	MYLAR	0.0015uF 5% 50V (US, CND)
C927	1-165-319-11	CERAMIC CHIP	0.1uF 50V	C975	1-137-365-11	MYLAR	0.0015uF 5% 50V (US, CND)
C928	1-127-718-91	ELECT	100uF 20% 16V	C976	1-136-357-11	MYLAR	680PF 5% 100V
C929	1-127-718-91	ELECT	100uF 20% 16V	C977	1-136-357-11	MYLAR	680PF 5% 100V (US, CND)
C930	1-128-832-11	ELECT	220uF 20% 10V (US, CND)				
C931	1-165-319-11	CERAMIC CHIP	0.1uF 50V (US, CND)				
C933	1-128-832-11	ELECT	220uF 20% 10V (US, CND)				
C934	1-165-319-11	CERAMIC CHIP	0.1uF 50V (US, CND)				
C935	1-119-824-11	ELECT	10uF 20% 50V (US, CND)				
C936	1-128-832-11	ELECT	220uF 20% 10V (US, CND)				
C937	1-165-319-11	CERAMIC CHIP	0.1uF 50V (US, CND)				

The components identified by mark \triangle or dotted line with mark \triangle are critical for safety. Replace only with part number specified.

Les composants identifiés par une marque \triangle sont critiques pour la sécurité. Ne les remplacer que par une pièce portant le numéro spécifié.

以阴影和 \triangle 标志来识别的零部件，在安全方面具有关键性。因此只能以规定号码的零部件来更换。

STR-DA5000ES

REG

Ref. No.	Part No.	Description	Remark	Ref. No.	Part No.	Description	Remark
C978	1-136-357-11	MYLAR	680PF 5% 100V (US, CND)			< CONNECTOR >	
C979	1-136-357-11	MYLAR	680PF 5% 100V (US, CND)	CN903	1-691-765-11	PLUG (MICRO CONNECTOR) 3P	
C980	1-136-357-11	MYLAR	680PF 5% 100V (US, CND)	CN907	1-691-766-11	PLUG (MICRO CONNECTOR) 4P	
C981	1-136-357-11	MYLAR	680PF 5% 100V (US, CND)	CN909	1-784-926-11	PIN, CONNECTOR 11P	
C982	1-136-357-11	MYLAR	680PF 5% 100V (US, CND)	* CN910	1-564-704-11	PIN, CONNECTOR (SMALL TYPE) 2P	
C983	1-136-357-11	MYLAR	680PF 5% 100V (US, CND)	CN911	1-784-786-11	CONNECTOR, FFC 25P	
C984	1-136-356-11	MYLAR	470PF 5% 100V	CN912	1-691-766-11	PLUG (MICRO CONNECTOR) 4P	
C985	1-136-356-11	MYLAR	470PF 5% 100V (US, CND)	CN913	1-779-977-11	PIN, CONNECTOR 6P	
C986	1-136-356-11	MYLAR	470PF 5% 100V (US, CND)	CN914	1-784-929-11	PIN, CONNECTOR 14P (US, CND)	
C987	1-136-356-11	MYLAR	470PF 5% 100V (US, CND)	CN917	1-564-320-00	PIN, CONNECTOR (3.96mm PITCH) 2P	
C988	1-136-356-11	MYLAR	470PF 5% 100V (US, CND)	* CN919	1-564-704-11	PIN, CONNECTOR (SMALL TYPE) 2P	
C989	1-136-356-11	MYLAR	470PF 5% 100V (US, CND)	CN4002	1-691-767-11	PLUG (MICRO CONNECTOR) 5P	
C990	1-136-356-11	MYLAR	470PF 5% 100V (US, CND)			< DIODE >	
C991	1-136-356-11	MYLAR	470PF 5% 100V (US, CND)	D901	8-719-988-61	DIODE 1SS355TE-17	
C992	1-119-835-31	ELECT	33uF 20% 63V (EXCEPT US, CND)	D902	8-719-988-61	DIODE 1SS355TE-17	
C992	1-128-839-11	ELECT	33uF 20% 16V (US, CND)	D903	8-719-053-18	DIODE 1SR154-400TE-25	
C993	1-128-839-11	ELECT	33uF 20% 16V (US, CND)	D904	8-719-053-18	DIODE 1SR154-400TE-25	
C994	1-128-839-11	ELECT	33uF 20% 16V (US, CND)	D905	8-719-053-18	DIODE 1SR154-400TE-25	
C995	1-128-839-11	ELECT	33uF 20% 16V (US, CND)	D906	8-719-069-56	DIODE UDZSTE-176.2B	
C996	1-128-839-11	ELECT	33uF 20% 16V (US, CND)	D907	8-719-049-09	DIODE 1SS367-T3SONY	
C997	1-128-839-11	ELECT	33uF 20% 16V (US, CND)	D908	8-719-049-09	DIODE 1SS367-T3SONY	
C998	1-128-839-11	ELECT	33uF 20% 16V (US, CND)	D935	8-719-801-78	DIODE 1SS184 (EXCEPT US, CND)	
C999	1-128-839-11	ELECT	33uF 20% 16V (US, CND)			< GROUND TERMINAL >	
C4001	1-127-728-51	ELECT	2200uF 20% 25V	* E901	1-537-738-21	TERMINAL, EARTH	
C4002	1-127-728-51	ELECT	2200uF 20% 25V	* E902	1-537-738-21	TERMINAL, EARTH	
C4003	1-100-023-31	ELECT	39uF 20% 16V	* E903	1-537-738-21	TERMINAL, EARTH	
C4004	1-100-023-31	ELECT	39uF 20% 16V	* EP901	4-924-264-21	TERMINAL, MOUNT	
C4005	1-165-319-11	CERAMIC CHIP	0.1uF 50V	* EP902	4-924-264-21	TERMINAL, MOUNT	
C4006	1-165-319-11	CERAMIC CHIP	0.1uF 50V	* E4001	1-537-738-21	TERMINAL, EARTH	
C4007	1-165-319-11	CERAMIC CHIP	0.1uF 50V	* E4002	1-537-738-21	TERMINAL, EARTH	
C4008	1-165-319-11	CERAMIC CHIP	0.1uF 50V			< FERRITE BEAD >	
C4009	1-119-825-11	ELECT	22uF 20% 50V (EXCEPT US, CND)	FB931	1-469-152-11	FERRITE, EMI (SMD) (2012) (US, CND)	
C4009	1-128-858-11	ELECT	22uF 20% 50V (US, CND)	FB932	1-469-152-11	FERRITE, EMI (SMD) (2012) (US, CND)	
C4010	1-119-825-11	ELECT	22uF 20% 50V (EXCEPT US, CND)	FB933	1-469-152-11	FERRITE, EMI (SMD) (2012) (EXCEPT US, CND)	
C4010	1-128-858-11	ELECT	22uF 20% 50V (US, CND)	FB934	1-469-152-11	FERRITE, EMI (SMD) (2012) (EXCEPT US, CND)	
						< IC/TRANSISTOR >	
				IC903	8-759-545-66	IC NJM3414AMP (TE2)	
				IC911	8-759-445-59	IC BA033T	
				IC912	8-759-231-53	IC TA7805S	
				* IC913	8-729-045-93	TRANSISTOR IMZ4T108	
				IC931	6-703-420-01	IC DSD1751DBQR (EXCEPT US, CND)	
				IC934	8-759-832-29	IC NJM4580M-(TE2)	
				IC935	8-759-832-29	IC NJM4580M-(TE2) (US, CND)	
				IC936	8-759-832-29	IC NJM4580M-(TE2) (US, CND)	
				IC937	8-759-832-29	IC NJM4580M-(TE2) (US, CND)	
				IC940	8-759-524-50	IC TC74VHC541FT (EL)	
				IC941	8-759-524-50	IC TC74VHC541FT (EL) (US, CND)	
				IC2801	6-704-131-01	IC DSD1608PAHR (US, CND)	
				IC4001	8-759-473-41	IC BA10T	
				IC4002	8-759-604-50	IC M5F7910L	

REG

Ref. No.	Part No.	Description	Remark	Ref. No.	Part No.	Description	Remark	
		< SHORT >		R942	1-216-025-11	RES-CHIP	100 5% 1/10W (US, CND)	
JW901	1-216-295-00	SHORT CHIP	0	R943	1-216-025-11	RES-CHIP	100 5% 1/10W (US, CND)	
JW902	1-216-295-00	SHORT CHIP	0	R944	1-216-025-11	RES-CHIP	100 5% 1/10W	
JW903	1-216-295-00	SHORT CHIP	0	R945	1-216-025-11	RES-CHIP	100 5% 1/10W (US, CND)	
		< COIL >		R946	1-216-025-11	RES-CHIP	100 5% 1/10W (US, CND)	
L901	1-456-545-11	COIL, CHOKE	100uH	R947	1-216-025-11	RES-CHIP	100 5% 1/10W (US, CND)	
L902	1-456-545-11	COIL, CHOKE	100uH	R948	1-216-025-11	RES-CHIP	100 5% 1/10W (US, CND)	
L4001	1-409-575-11	COIL, CHOKE	1mH	R949	1-216-025-11	RES-CHIP	100 5% 1/10W	
L4002	1-456-520-11	COIL, CHOKE	1mH	R950	1-216-025-11	RES-CHIP	100 5% 1/10W (US, CND)	
		< TRANSISTOR >		R951	1-216-025-11	RES-CHIP	100 5% 1/10W	
Q905	8-729-216-31	TRANSISTOR	2SA1163-G	R952	1-216-025-11	RES-CHIP	100 5% 1/10W	
Q906	8-729-271-31	TRANSISTOR	2SC2713-G	R953	1-216-025-11	RES-CHIP	100 5% 1/10W	
Q908	8-729-271-31	TRANSISTOR	2SC2713-G	R954	1-216-033-00	RES-CHIP	220 5% 1/10W	
Q911	8-729-027-23	TRANSISTOR	DTA114EKA-T146	R955	1-216-001-00	RES-CHIP	10 5% 1/10W	
Q912	8-729-027-43	TRANSISTOR	DTC114EKA-T146	R956	1-216-049-11	RES-CHIP	1K 5% 1/10W	
Q913	6-550-363-01	TRANSISTOR	2SB1690KT146	R960	1-216-208-00	RES-CHIP	2.7K 2% 1/8W (US, CND)	
Q914	8-729-027-43	TRANSISTOR	DTC114EKA-T146	R960	1-260-001-11	CARBON MELF	2.7K 2% 1/8W (EXCEPT US, CND)	
Q959	8-729-024-91	TRANSISTOR	2SC2712-GL-TE85L	R961	1-216-661-11	METAL CHIP	2.7K 0.5% 1/10W (US, CND)	
		< RESISTOR >		R962	1-216-661-11	METAL CHIP	2.7K 0.5% 1/10W (US, CND)	
R905	1-249-589-11	CARBON	36K 5%	1/4W	R963	1-216-661-11	METAL CHIP	2.7K 0.5% 1/10W (US, CND)
R906	1-247-807-31	CARBON	100 5%	1/4W	R964	1-216-661-11	METAL CHIP	2.7K 0.5% 1/10W (US, CND)
R907	1-216-057-00	RES-CHIP	2.2K 5%	1/10W	R965	1-216-661-11	METAL CHIP	2.7K 0.5% 1/10W (US, CND)
△R908	1-216-369-00	METAL OXIDE	1 5%	2W F	R966	1-216-661-11	METAL CHIP	2.7K 0.5% 1/10W (US, CND)
R909	1-216-113-00	RES-CHIP	470K 5%	1/10W	R967	1-216-661-11	METAL CHIP	2.7K 0.5% 1/10W (US, CND)
R910	1-216-073-00	RES-CHIP	1K 5%	1/10W	R968	1-208-506-11	RES-CHIP	6.8K 2% 1/8W (US, CND)
R911	1-216-063-00	RES-CHIP	3.9K 5%	1/10W	R968	1-249-427-11	CARBON MELF	6.8K 2% 1/8W (EXCEPT US, CND)
R912	1-216-077-00	RES-CHIP	15K 5%	1/10W	R969	1-216-671-11	METAL CHIP	6.8K 0.5% 1/10W (US, CND)
R913	1-216-049-11	RES-CHIP	1K 5%	1/10W	R970	1-216-671-11	METAL CHIP	6.8K 0.5% 1/10W (US, CND)
R914	1-216-295-00	SHORT CHIP	0		R971	1-216-671-11	METAL CHIP	6.8K 0.5% 1/10W (US, CND)
R915	1-216-025-11	RES-CHIP	100 5%	1/10W	R972	1-216-671-11	METAL CHIP	6.8K 0.5% 1/10W (US, CND)
R916	1-216-073-00	RES-CHIP	1K 5%	1/10W	R973	1-216-671-11	METAL CHIP	6.8K 0.5% 1/10W (US, CND)
R917	1-215-869-11	METAL OXIDE	1K 5%	1W	R974	1-216-671-11	METAL CHIP	6.8K 0.5% 1/10W (US, CND)
R918	1-216-025-11	RES-CHIP	100 5%	1/10W	R975	1-216-671-11	METAL CHIP	6.8K 0.5% 1/10W (US, CND)
R919	1-249-923-11	CARBON	1K 1%	1/4W	R976	1-208-810-11	METAL CHIP	15K 0.5% 1/10W (US, CND)
R920	1-249-923-11	CARBON	1K 1%	1/4W	R976	1-260-010-11	CARBON MELF	15K 2% 1/8W (EXCEPT US, CND)
R921	1-216-073-00	RES-CHIP	1K 5%	1/10W				
R922	1-249-607-11	CARBON	200K 5%	1/4W				
R927	1-249-960-11	CARBON	36K 1%	1/4W				
R928	1-249-937-11	CARBON	3.9K 1%	1/4W				
R929	1-216-057-00	RES-CHIP	2.2K 5%	1/10W				
R930	1-216-057-00	RES-CHIP	2.2K 5%	1/10W				
R931	1-216-071-00	RES-CHIP	8.2K 5%	1/10W				
R933	1-216-025-11	RES-CHIP	100 5%	1/10W (US, CND)				
R934	1-216-025-11	RES-CHIP	100 5%	1/10W				
R935	1-216-025-11	RES-CHIP	100 5%	1/10W (US, CND)				
R936	1-216-025-11	RES-CHIP	100 5%	1/10W (US, CND)				
R937	1-216-025-11	RES-CHIP	100 5%	1/10W				
R938	1-216-025-11	RES-CHIP	100 5%	1/10W				
R939	1-216-025-11	RES-CHIP	100 5%	1/10W				
R940	1-216-025-11	RES-CHIP	100 5%	1/10W				
R941	1-216-025-11	RES-CHIP	100 5%	1/10W (US, CND)				

The components identified by mark △ or dotted line with mark △ are critical for safety. Replace only with part number specified.

Les composants identifiés par une marque △ sont critiques pour la sécurité. Ne les remplacer que par une pièce portant le numéro spécifié.

以阴影和 △ 标志来识别的零部件，在安全方面具有关键性。因此只能以规定号码的零部件来更换。

STR-DA5000ES

REG	S-VIDEO
------------	----------------

Ref. No.	Part No.	Description	Remark	Ref. No.	Part No.	Description	Remark
R977	1-208-810-11	METAL CHIP	15K 0.5% 1/10W (US, CND)	R1008	1-216-025-11	RES-CHIP	100 5% 1/10W (US, CND)
R978	1-208-810-11	METAL CHIP	15K 0.5% 1/10W (US, CND)	R1009	1-216-025-11	RES-CHIP	100 5% 1/10W (US, CND)
R979	1-208-810-11	METAL CHIP	15K 0.5% 1/10W (US, CND)	R1010	1-216-025-11	RES-CHIP	100 5% 1/10W (US, CND)
R980	1-208-810-11	METAL CHIP	15K 0.5% 1/10W (US, CND)	R1011	1-216-025-11	RES-CHIP	100 5% 1/10W (US, CND)
R981	1-208-810-11	METAL CHIP	15K 0.5% 1/10W (US, CND)	R1012	1-216-025-11	RES-CHIP	100 5% 1/10W (US, CND)
R982	1-208-810-11	METAL CHIP	15K 0.5% 1/10W (US, CND)	R1013	1-216-025-11	RES-CHIP	100 5% 1/10W (US, CND)
R983	1-208-810-11	METAL CHIP	15K 0.5% 1/10W (US, CND)	R1014	1-216-025-11	RES-CHIP	100 5% 1/10W (US, CND)
R984	1-216-222-00	RES-CHIP	1K 2% 1/8W (US, CND)	R1015	1-216-025-11	RES-CHIP	100 5% 1/10W (US, CND)
R984	1-260-008-11	CARBON MELF	1K 2% 1/8W (EXCEPT US, CND)	R1019	1-216-246-00	RES-CHIP	100K 2% 1/8W (US, CND)
R985	1-208-462-41	RES-CHIP	1K 2% 1/10W (US, CND)	R1019	1-260-020-11	CARBON MELF	100K 2% 1/8W (EXCEPT US, CND)
R985	1-216-295-00	SHORT CHIP	0 (EXCEPT US, CND)	R1020	1-216-699-11	METAL CHIP	100K 0.5% 1/10W (US, CND)
R986	1-208-462-41	RES-CHIP	1K 2% 1/10W (US, CND)	R1021	1-216-699-11	METAL CHIP	100K 0.5% 1/10W (US, CND)
R987	1-208-462-41	RES-CHIP	1K 2% 1/10W (US, CND)	R1022	1-216-699-11	METAL CHIP	100K 0.5% 1/10W (US, CND)
R988	1-208-462-41	RES-CHIP	1K 2% 1/10W (US, CND)	R1023	1-216-699-11	METAL CHIP	100K 0.5% 1/10W (US, CND)
R989	1-208-462-41	RES-CHIP	1K 2% 1/10W (US, CND)	R1024	1-216-699-11	METAL CHIP	100K 0.5% 1/10W (US, CND)
R990	1-208-462-41	RES-CHIP	1K 2% 1/10W (US, CND)	R1025	1-216-699-11	METAL CHIP	100K 0.5% 1/10W (US, CND)
R991	1-208-462-41	RES-CHIP	1K 2% 1/10W (US, CND)	R1026	1-216-699-11	METAL CHIP	100K 0.5% 1/10W (US, CND)
R992	1-216-222-00	RES-CHIP	1K 2% 1/8W (US, CND)	R1027	1-216-057-00	RES-CHIP	2.2K 5% 1/10W
R992	1-260-008-11	CARBON MELF	1K 2% 1/8W (EXCEPT US, CND)	R4005	1-217-806-11	RES-CHIP	1 5% 1/8W
R993	1-208-462-41	RES-CHIP	1K 2% 1/10W (US, CND)	*****			
R994	1-208-462-41	RES-CHIP	1K 2% 1/10W (US, CND)	A-4734-010-A S-VIDEO BOARD, COMPLETE			
R995	1-208-462-41	RES-CHIP	1K 2% 1/10W (US, CND)	*****			
R996	1-208-462-41	RES-CHIP	1K 2% 1/10W (US, CND)	< CAPACITOR >			
R997	1-208-462-41	RES-CHIP	1K 2% 1/10W (US, CND)	C72	1-165-319-11	CERAMIC CHIP	0.1uF 50V
R998	1-208-462-41	RES-CHIP	1K 2% 1/10W (US, CND)	C701	1-165-319-11	CERAMIC CHIP	0.1uF 50V
R999	1-208-462-41	RES-CHIP	1K 2% 1/10W (US, CND)	C702	1-137-658-91	ELECT	1000uF 20% 6.3V
R1000	1-216-025-11	RES-CHIP	100 5% 1/10W	C711	1-165-319-11	CERAMIC CHIP	0.1uF 50V
R1001	1-216-025-11	RES-CHIP	100 5% 1/10W (US, CND)	C712	1-165-319-11	CERAMIC CHIP	0.1uF 50V
R1002	1-216-025-11	RES-CHIP	100 5% 1/10W (US, CND)	C713	1-119-824-11	ELECT	10uF 20% 50V
R1003	1-216-025-11	RES-CHIP	100 5% 1/10W	C714	1-165-319-11	CERAMIC CHIP	0.1uF 50V
R1004	1-216-025-11	RES-CHIP	100 5% 1/10W	C715	1-165-319-11	CERAMIC CHIP	0.1uF 50V
R1005	1-216-025-11	RES-CHIP	100 5% 1/10W	C716	1-119-824-11	ELECT	10uF 20% 50V
R1006	1-216-025-11	RES-CHIP	100 5% 1/10W	C722	1-163-243-11	CERAMIC CHIP	47PF 5% 50V
R1007	1-216-025-11	RES-CHIP	100 5% 1/10W	C723	1-163-243-11	CERAMIC CHIP	47PF 5% 50V
				C724	1-165-319-11	CERAMIC CHIP	0.1uF 50V
				C725	1-165-319-11	CERAMIC CHIP	0.1uF 50V
				C726	1-119-824-11	ELECT	10uF 20% 50V
				C731	1-165-319-11	CERAMIC CHIP	0.1uF 50V
				C732	1-163-243-11	CERAMIC CHIP	47PF 5% 50V
				C733	1-163-243-11	CERAMIC CHIP	47PF 5% 50V
				C734	1-165-319-11	CERAMIC CHIP	0.1uF 50V
				C735	1-165-319-11	CERAMIC CHIP	0.1uF 50V
				C736	1-119-824-11	ELECT	10uF 20% 50V

S-VIDEO

SP TM (A)

SP TM (B)

SP TM (C)

SP TM (D)

Ref. No.	Part No.	Description	Remark
C737	1-128-830-11	ELECT 47uF 20% 10V	
C738	1-128-830-11	ELECT 47uF 20% 10V	
C739	1-128-830-11	ELECT 47uF 20% 10V	
C740	1-128-830-11	ELECT 47uF 20% 10V	
C741	1-119-824-11	ELECT 10uF 20% 50V	
C742	1-165-319-11	CERAMIC CHIP 0.1uF 50V	
C743	1-163-038-00	CERAMIC CHIP 0.1uF 25V	
C744	1-164-161-11	CERAMIC CHIP 0.0022uF 10% 50V	
C745	1-164-161-11	CERAMIC CHIP 0.0022uF 10% 50V	
C746	1-163-038-00	CERAMIC CHIP 0.1uF 25V	
C747	1-164-161-11	CERAMIC CHIP 0.0022uF 10% 50V	
C748	1-164-161-11	CERAMIC CHIP 0.0022uF 10% 50V	
< CONNECTOR >			
CNP742	1-779-977-11	PIN, CONNECTOR 6P	
CNS741	1-784-778-11	CONNECTOR, FFC 17P	
< DIODE >			
D741	8-719-988-61	DIODE 1SS355TE-17	
D742	8-719-988-61	DIODE 1SS355TE-17	
< IC >			
IC701	8-759-536-24	IC NJM-2296M-TE2	
IC702	6-700-050-01	IC NJM2596M (TE2)	
< TERAMINAL/JACK >			
J701	1-779-800-11	TERMINAL, S (MONITOR OUT S2 VIDEO)	
J702	1-779-801-11	CONNECTOR (ROUND TYPE) (TV/SAT S2 VIDEO IN, DVD S2 VIDEO IN)	
J703	1-779-801-11	CONNECTOR (ROUND TYPE) (VIDEO2 S2 VIDEO OUT/S2 VIDEO IN)	
J704	1-779-801-11	CONNECTOR (ROUND TYPE) (VIDEO1 S2 VIDEO OUT/S2 VIDEO IN)	
< FERRITE BEAD >			
L741	1-500-425-11	FERRITE, EMI (SMD) (3216)	
L742	1-500-425-11	FERRITE, EMI (SMD) (3216)	
L743	1-500-425-11	FERRITE, EMI (SMD) (3216)	
L744	1-500-425-11	FERRITE, EMI (SMD) (3216)	
< RESISTOR >			
R701	1-216-022-00	RES-CHIP 75 5% 1/10W	
R702	1-216-097-11	RES-CHIP 100K 5% 1/10W	
R703	1-216-022-00	RES-CHIP 75 5% 1/10W	
R704	1-216-049-11	RES-CHIP 1K 5% 1/10W	
R705	1-216-295-00	SHORT CHIP 0	
R711	1-216-022-00	RES-CHIP 75 5% 1/10W	
R712	1-216-022-00	RES-CHIP 75 5% 1/10W	
R713	1-216-022-00	RES-CHIP 75 5% 1/10W	
R714	1-216-022-00	RES-CHIP 75 5% 1/10W	
R715	1-216-295-00	SHORT CHIP 0	
R721	1-216-022-00	RES-CHIP 75 5% 1/10W	
R722	1-216-097-11	RES-CHIP 100K 5% 1/10W	
R723	1-216-022-00	RES-CHIP 75 5% 1/10W	
R724	1-216-022-00	RES-CHIP 75 5% 1/10W	
R725	1-216-022-00	RES-CHIP 75 5% 1/10W	
R726	1-216-295-00	SHORT CHIP 0	

Ref. No.	Part No.	Description	Remark
R731	1-216-022-00	RES-CHIP 75 5% 1/10W	
R732	1-216-097-11	RES-CHIP 100K 5% 1/10W	
R733	1-216-022-00	RES-CHIP 75 5% 1/10W	
R734	1-216-022-00	RES-CHIP 75 5% 1/10W	
R735	1-216-022-00	RES-CHIP 75 5% 1/10W	
R736	1-216-295-00	SHORT CHIP 0	
R737	1-216-083-00	RES-CHIP 27K 5% 1/10W	
R738	1-216-089-11	RES-CHIP 47K 5% 1/10W	
R740	1-216-022-00	RES-CHIP 75 5% 1/10W	
R741	1-216-022-00	RES-CHIP 75 5% 1/10W	
R742	1-216-022-00	RES-CHIP 75 5% 1/10W	
R743	1-216-097-11	RES-CHIP 100K 5% 1/10W	
R744	1-216-097-11	RES-CHIP 100K 5% 1/10W	
R745	1-216-097-11	RES-CHIP 100K 5% 1/10W	
R746	1-216-097-11	RES-CHIP 100K 5% 1/10W	
R747	1-216-097-11	RES-CHIP 100K 5% 1/10W	
R748	1-216-295-00	SHORT CHIP 0	
R749	1-216-295-00	SHORT CHIP 0	
R750	1-216-022-00	RES-CHIP 75 5% 1/10W	

		1-860-490-11	SP TM (A) BOARD *****
< CAPACITOR >			
CC004	1-100-156-91	CERAMIC CHIP 680PF 5% 100V	
CC005	1-100-156-91	CERAMIC CHIP 680PF 5% 100V	
CC011	1-100-156-91	CERAMIC CHIP 680PF 5% 100V	
CC012	1-100-156-91	CERAMIC CHIP 680PF 5% 100V	
CC018	1-100-156-91	CERAMIC CHIP 680PF 5% 100V	
CC019	1-100-156-91	CERAMIC CHIP 680PF 5% 100V	
CC025	1-100-156-91	CERAMIC CHIP 680PF 5% 100V	
CC026	1-100-156-91	CERAMIC CHIP 680PF 5% 100V	

		1-860-491-11	SP TM (B) BOARD *****
< CAPACITOR >			
CC051	1-100-156-91	CERAMIC CHIP 680PF 5% 100V	
CC052	1-100-156-91	CERAMIC CHIP 680PF 5% 100V	

		1-860-492-11	SP TM (C) BOARD *****
< CAPACITOR >			
CC055	1-100-156-91	CERAMIC CHIP 680PF 5% 100V	
CC056	1-100-156-91	CERAMIC CHIP 680PF 5% 100V	

		1-860-493-11	SP TM (D) BOARD *****
< CAPACITOR >			
CC059	1-100-156-91	CERAMIC CHIP 680PF 5% 100V	
CC060	1-100-156-91	CERAMIC CHIP 680PF 5% 100V	

THERMISTOR

VIDEO

Ref. No.	Part No.	Description	Remark
	1-860-494-11	SP TM (E) BOARD ***** < CAPACITOR >	
CC063	1-100-156-91	CERAMIC CHIP 680PF 5% 100V	
CC064	1-100-156-91	CERAMIC CHIP 680PF 5% 100V	

	1-860-495-11	SP TM (F) BOARD ***** < CAPACITOR >	
CC067	1-100-156-91	CERAMIC CHIP 680PF 5% 100V	
CC068	1-100-156-91	CERAMIC CHIP 680PF 5% 100V	

	1-860-496-11	SP TM (G) BOARD ***** < CAPACITOR >	
CC071	1-100-156-91	CERAMIC CHIP 680PF 5% 100V	
CC072	1-100-156-91	CERAMIC CHIP 680PF 5% 100V	

	1-860-497-11	SP TM (H) BOARD ***** < CAPACITOR >	
CC075	1-100-156-91	CERAMIC CHIP 680PF 5% 100V	
CC076	1-100-156-91	CERAMIC CHIP 680PF 5% 100V	

	1-860-498-11	SP TM (I) BOARD ***** < CAPACITOR >	
CC079	1-100-156-91	CERAMIC CHIP 680PF 5% 100V	
CC080	1-100-156-91	CERAMIC CHIP 680PF 5% 100V	

	1-860-499-11	SP TM (J) BOARD ***** < CAPACITOR >	
CC083	1-100-156-91	CERAMIC CHIP 680PF 5% 100V	
CC084	1-100-156-91	CERAMIC CHIP 680PF 5% 100V	

	1-860-500-11	SP TM (K) BOARD ***** < CAPACITOR >	
CC087	1-100-156-91	CERAMIC CHIP 680PF 5% 100V	
CC088	1-100-156-91	CERAMIC CHIP 680PF 5% 100V	

	1-688-732-11	THERMISTOR BOARD ***** < THERMISTOR (POSITIVE) >	
THP901	1-817-728-11	SENSOR, THERMISTOR	

Ref. No.	Part No.	Description	Remark
	A-4734-003-A	VIDEO BOARD, COMPLETE (US, CND)	
	A-4734-070-A	VIDEO BOARD, COMPLETE (TW)	
	A-4734-084-A	VIDEO BOARD, COMPLETE (AEP, CH)	

		< CAPACITOR >	
C3201	1-216-295-00	SHORT CHIP	0
C3202	1-165-319-11	CERAMIC CHIP	0.1uF 50V
C3203	1-165-319-11	CERAMIC CHIP	0.1uF 50V
C3204	1-165-319-11	CERAMIC CHIP	0.1uF 50V
C3205	1-165-319-11	CERAMIC CHIP	0.1uF 50V
C3206	1-165-319-11	CERAMIC CHIP	0.1uF 50V
C3207	1-127-718-91	ELECT	100uF 20% 16V
C3208	1-163-021-11	CERAMIC CHIP	0.01uF 10% 50V
C3209	1-163-243-11	CERAMIC CHIP	47PF 5% 50V
C3311	1-126-962-11	ELECT	3.3uF 20% 50V
C3312	1-127-718-91	ELECT	100uF 20% 16V
C3313	1-126-916-11	ELECT	1000uF 20% 6.3V
C3314	1-165-319-11	CERAMIC CHIP	0.1uF 50V
C3315	1-126-964-11	ELECT	10uF 20% 50V
C3321	1-163-021-11	CERAMIC CHIP	0.01uF 10% 50V
C3322	1-163-021-11	CERAMIC CHIP	0.01uF 10% 50V
C3323	1-119-824-11	ELECT	10uF 20% 50V
C3324	1-119-824-11	ELECT	10uF 20% 50V
C3325	1-119-824-11	ELECT	10uF 20% 50V
C3401	1-119-824-11	ELECT	10uF 20% 50V (US, CND)
C3402	1-119-824-11	ELECT	10uF 20% 50V
C3403	1-119-824-11	ELECT	10uF 20% 50V (US, CND)
C3404	1-119-824-11	ELECT	10uF 20% 50V
C3405	1-119-824-11	ELECT	10uF 20% 50V (US, CND)
C3406	1-119-824-11	ELECT	10uF 20% 50V
C3407	1-119-824-11	ELECT	10uF 20% 50V (US, CND)
C3408	1-119-824-11	ELECT	10uF 20% 50V
C3409	1-163-243-11	CERAMIC CHIP	47PF 5% 50V
C3410	1-163-243-11	CERAMIC CHIP	47PF 5% 50V
C3411	1-163-243-11	CERAMIC CHIP	47PF 5% 50V
C3421	1-128-830-11	ELECT	47uF 20% 10V (US, CND)
C3422	1-128-830-11	ELECT	47uF 20% 10V (US, CND)
C3423	1-163-038-00	CERAMIC CHIP	0.1uF 25V (US, CND)
C3424	1-164-161-11	CERAMIC CHIP	0.0022uF 10% 50V (US, CND)
C3425	1-164-161-11	CERAMIC CHIP	0.0022uF 10% 50V (US, CND)
C3426	1-163-243-11	CERAMIC CHIP	47PF 5% 50V (US, CND)
C3427	1-163-243-11	CERAMIC CHIP	47PF 5% 50V (US, CND)
C3428	1-119-824-11	ELECT	10uF 20% 50V (US, CND)
C3431	1-128-830-11	ELECT	47uF 20% 10V
C3432	1-128-830-11	ELECT	47uF 20% 10V
C3433	1-165-319-11	CERAMIC CHIP	0.1uF 50V

Ref. No.	Part No.	Description	Remark	Ref. No.	Part No.	Description	Remark
C3434	1-164-161-11	CERAMIC CHIP	0.0022uF 10% 50V	C3612	1-165-319-11	CERAMIC CHIP	0.1uF 50V
C3435	1-164-161-11	CERAMIC CHIP	0.0022uF 10% 50V	C3613	1-165-319-11	CERAMIC CHIP	0.1uF 50V
C3436	1-119-824-11	ELECT	10uF 20% 50V	C3614	1-165-319-11	CERAMIC CHIP	0.1uF 50V
C3437	1-163-243-11	CERAMIC CHIP	47PF 5% 50V	C3615	1-165-319-11	CERAMIC CHIP	0.1uF 50V
C3438	1-163-251-11	CERAMIC CHIP	100PF 5% 50V	C3616	1-127-718-91	ELECT	100uF 20% 16V
C3439	1-165-319-11	CERAMIC CHIP	0.1uF 50V	C3617	1-165-319-11	CERAMIC CHIP	0.1uF 50V
C3440	1-165-319-11	CERAMIC CHIP	0.1uF 50V	C3621	1-163-231-11	CERAMIC CHIP	15PF 5% 50V
C3441	1-165-319-11	CERAMIC CHIP	0.1uF 50V	C3622	1-127-718-91	ELECT	100uF 20% 16V
C3442	1-165-319-11	CERAMIC CHIP	0.1uF 50V	C3623	1-119-824-11	ELECT	10uF 20% 50V
C3451	1-165-319-11	CERAMIC CHIP	0.1uF 50V	C3631	1-163-231-11	CERAMIC CHIP	15PF 5% 50V
C3452	1-119-823-11	ELECT	4.7uF 20% 50V	C3632	1-136-153-00	MYLAR	0.01uF 5% 50V
C3453	1-128-858-11	ELECT	22uF 20% 50V	C3633	1-136-165-00	MYLAR	0.1uF 5% 50V
C3454	1-127-720-91	ELECT	470uF 20% 16V	C3641	1-119-823-11	ELECT	4.7uF 20% 50V
C3455	1-119-820-11	ELECT	1uF 20% 50V	C3643	1-119-823-11	ELECT	4.7uF 20% 50V
C3456	1-119-820-11	ELECT	1uF 20% 50V	C3644	1-128-858-11	ELECT	22uF 20% 50V
C3501	1-163-239-11	CERAMIC CHIP	33PF 5% 50V	C3645	1-127-718-91	ELECT	100uF 20% 16V
C3502	1-163-227-11	CERAMIC CHIP	10PF 0.5PF 50V	C3646	1-165-319-11	CERAMIC CHIP	0.1uF 50V
C3503	1-165-319-11	CERAMIC CHIP	0.1uF 50V	C3647	1-119-824-11	ELECT	10uF 20% 50V
C3504	1-128-840-11	ELECT	47uF 20% 16V	C3648	1-163-234-11	CERAMIC CHIP	20PF 5% 50V
C3505	1-165-319-11	CERAMIC CHIP	0.1uF 50V	C3649	1-128-858-11	ELECT	22uF 20% 50V
C3506	1-163-251-11	CERAMIC CHIP	100PF 5% 50V	C3651	1-164-161-11	CERAMIC CHIP	0.0022uF 10% 50V
C3507	1-119-824-11	ELECT	10uF 20% 50V	C3652	1-164-161-11	CERAMIC CHIP	0.0022uF 10% 50V
C3508	1-119-824-11	ELECT	10uF 20% 50V	C3653	1-165-319-11	CERAMIC CHIP	0.1uF 50V
C3509	1-163-021-11	CERAMIC CHIP	0.01uF 10% 50V	C3661	1-164-161-11	CERAMIC CHIP	0.0022uF 10% 50V
C3510	1-163-235-11	CERAMIC CHIP	22PF 5% 50V (US, CND, TW)	C3662	1-164-161-11	CERAMIC CHIP	0.0022uF 10% 50V
C3511	1-163-091-00	CERAMIC CHIP	8PF 0.25PF 50V (US, CND, TW)	C3663	1-165-319-11	CERAMIC CHIP	0.1uF 50V
C3512	1-165-319-11	CERAMIC CHIP	0.1uF 50V	C3671	1-119-823-11	ELECT	4.7uF 20% 50V
C3513	1-128-840-11	ELECT	47uF 20% 16V (AEP, CH)	C3672	1-127-718-91	ELECT	100uF 20% 16V
C3514	1-165-319-11	CERAMIC CHIP	0.1uF 50V (AEP, CH)	C3673	1-119-823-11	ELECT	4.7uF 20% 50V
C3515	1-165-319-11	CERAMIC CHIP	0.1uF 50V (AEP, CH)	C3674	1-128-858-11	ELECT	22uF 20% 50V
C3516	1-163-235-11	CERAMIC CHIP	22PF 5% 50V (AEP, CH)	C3675	1-127-718-91	ELECT	100uF 20% 16V
C3517	1-163-091-00	CERAMIC CHIP	8PF 0.25PF 50V (AEP, CH)	C3676	1-165-319-11	CERAMIC CHIP	0.1uF 50V
C3518	1-163-091-00	CERAMIC CHIP	8PF 0.25PF 50V (AEP, CH)	C3701	1-119-820-11	ELECT	1uF 20% 50V
C3519	1-163-235-11	CERAMIC CHIP	22PF 5% 50V (AEP, CH)	C3702	1-119-820-11	ELECT	1uF 20% 50V
C3521	1-128-834-11	ELECT	470uF 20% 10V	C3703	1-136-165-00	MYLAR	0.1uF 5% 50V
C3522	1-128-834-11	ELECT	470uF 20% 10V	C3704	1-136-165-00	MYLAR	0.1uF 5% 50V
C3523	1-128-834-11	ELECT	470uF 20% 10V	C3705	1-136-165-00	MYLAR	0.1uF 5% 50V
C3524	1-128-840-11	ELECT	47uF 20% 16V	C3706	1-136-165-00	MYLAR	0.1uF 5% 50V
C3525	1-165-319-11	CERAMIC CHIP	0.1uF 50V	C3707	1-163-231-11	CERAMIC CHIP	15PF 5% 50V
C3601	1-165-319-11	CERAMIC CHIP	0.1uF 50V	C3708	1-163-231-11	CERAMIC CHIP	15PF 5% 50V
C3602	1-163-009-11	CERAMIC CHIP	0.001uF 10% 50V	C3709	1-128-854-11	ELECT	0.47uF 20% 50V
C3603	1-165-319-11	CERAMIC CHIP	0.1uF 50V	C3710	1-163-133-00	CERAMIC CHIP	470PF 5% 50V
C3604	1-163-037-11	CERAMIC CHIP	0.022uF 10% 50V	C3711	1-165-319-11	CERAMIC CHIP	0.1uF 50V
C3605	1-165-319-11	CERAMIC CHIP	0.1uF 50V	C3712	1-127-718-91	ELECT	100uF 20% 16V
C3606	1-119-824-11	ELECT	10uF 20% 50V	C3713	1-119-819-31	ELECT	0.47uF 20% 50V
C3607	1-165-319-11	CERAMIC CHIP	0.1uF 50V	C3714	1-119-820-11	ELECT	1uF 20% 50V
C3608	1-165-319-11	CERAMIC CHIP	0.1uF 50V	C3715	1-163-017-00	CERAMIC CHIP	0.0047uF 10% 50V
C3609	1-165-319-11	CERAMIC CHIP	0.1uF 50V	C3717	1-119-819-31	ELECT	0.47uF 20% 50V
C3610	1-165-319-11	CERAMIC CHIP	0.1uF 50V	C3718	1-163-021-11	CERAMIC CHIP	0.01uF 10% 50V
C3611	1-165-319-11	CERAMIC CHIP	0.1uF 50V	C3719	1-119-820-11	ELECT	1uF 20% 50V
				C3720	1-163-251-11	CERAMIC CHIP	100PF 5% 50V
				C3721	1-165-319-11	CERAMIC CHIP	0.1uF 50V
				C3722	1-163-251-11	CERAMIC CHIP	100PF 5% 50V
				C3724	1-127-718-91	ELECT	100uF 20% 16V
				C3725	1-128-840-11	ELECT	47uF 20% 16V
				C3726	1-163-021-11	CERAMIC CHIP	0.01uF 10% 50V
				C3731	1-126-962-11	ELECT	3.3uF 20% 50V
				C3732	1-127-718-91	ELECT	100uF 20% 16V

STR-DA5000ES

VIDEO

Ref. No.	Part No.	Description	Remark	Ref. No.	Part No.	Description	Remark
C3733	1-126-916-11	ELECT	1000uF 20%	6.3V			
C3734	1-165-319-11	CERAMIC CHIP	0.1uF	50V			
C3741	1-119-823-11	ELECT	4.7uF 20%	50V			
C3743	1-119-823-11	ELECT	4.7uF 20%	50V			
C3744	1-128-858-11	ELECT	22uF 20%	50V			
C3745	1-127-718-91	ELECT	100uF 20%	16V			
C3746	1-165-319-11	CERAMIC CHIP	0.1uF	50V			
C3751	1-165-319-11	CERAMIC CHIP	0.1uF	50V			
C3752	1-164-161-11	CERAMIC CHIP	0.0022uF 10%	50V			
C3753	1-164-161-11	CERAMIC CHIP	0.0022uF 10%	50V			
C3801	1-127-718-91	ELECT	100uF 20%	16V			
C3802	1-136-169-00	MYLAR	0.22uF 5%	50V			
C3803	1-127-718-91	ELECT	100uF 20%	16V			
C3804	1-136-169-00	MYLAR	0.22uF 5%	50V			
C3805	1-127-718-91	ELECT	100uF 20%	16V			
C3806	1-136-169-00	MYLAR	0.22uF 5%	50V			
C3811	1-165-319-11	CERAMIC CHIP	0.1uF	50V			
C3812	1-165-319-11	CERAMIC CHIP	0.1uF	50V			
C3813	1-165-319-11	CERAMIC CHIP	0.1uF	50V			
< CONNECTOR >							
CN3801	1-794-003-11	CONNECTOR 15P					
CN3802	1-568-826-11	CONNECTOR, FFC 7P (US, CND)					
CN3803	1-691-766-11	PLUG (MICRO CONNECTOR) 4P					
CN3804	1-784-778-11	CONNECTOR, FFC 17P					
CN3806	1-794-002-11	CONNECTOR 13P					
< TRIMMER >							
CT3501	1-141-442-91	CAP, CERAMIC TRIMMER					
CT3502	1-141-442-91	CAP, CERAMIC TRIMMER (US, CND, TW)					
CT3503	1-141-442-91	CAP, CERAMIC TRIMMER (AEP, CH)					
CT3504	1-141-442-91	CAP, CERAMIC TRIMMER (AEP, CH)					
< DIODE >							
D3301	8-719-988-61	DIODE 1SS355TE-17					
D3302	8-719-988-61	DIODE 1SS355TE-17					
D3303	8-719-988-61	DIODE 1SS355TE-17					
D3311	8-719-988-61	DIODE 1SS355TE-17					
D3312	8-719-988-61	DIODE 1SS355TE-17					
D3421	8-719-988-61	DIODE 1SS355TE-17 (US, CND)					
D3422	8-719-988-61	DIODE 1SS355TE-17 (US, CND)					
D3731	8-719-988-61	DIODE 1SS355TE-17					
D3732	8-719-988-61	DIODE 1SS355TE-17					
< FERRITE BEAD >							
FB3201	1-469-152-11	FERRITE, EMI (SMD) (2012)					
FB3501	1-469-152-11	FERRITE, EMI (SMD) (2012) (AEP, CH)					
FB3502	1-414-813-11	FERRITE, EMI (SMD) (2012) (AEP, CH)					
FB3601	1-469-152-11	FERRITE, EMI (SMD) (2012)					
FB3602	1-469-152-11	FERRITE, EMI (SMD) (2012)					
FB3603	1-469-152-11	FERRITE, EMI (SMD) (2012)					
FB3661	1-469-152-11	FERRITE, EMI (SMD) (2012)					
FB3751	1-469-152-11	FERRITE, EMI (SMD) (2012)					
FB3801	1-469-152-11	FERRITE, EMI (SMD) (2012)					
< FILTER >							
FL3621	1-239-847-11	FILTER, LOW PASS					
FL3631	1-239-847-11	FILTER, LOW PASS					
< IC >							
IC3201	8-759-663-90	IC ADM3222ARU-REEL					
IC3311	8-759-822-05	IC LA7213					
IC3321	8-759-663-94	IC LA7106M-TLM					
IC3421	8-759-536-24	IC NJM-2296M-TE2 (US, CND)					
IC3431	8-759-536-24	IC NJM-2296M-TE2					
IC3451	8-759-177-02	IC NJM2267M (TE2)					
IC3501	6-700-367-01	IC MB90089PF-G-238-BND					
IC3502	8-759-032-01	IC MC74HC00AF (AEP, CH)					
IC3503	8-759-242-70	IC TC7WU04F (AEP, CH)					
IC3521	8-759-682-76	IC BA7622F-E2-A					
IC3601	8-752-386-17	IC CXD2064Q					
IC3641	8-759-177-02	IC NJM2267M (TE2)					
IC3651	8-759-671-94	IC MC74HC4053AFEL					
IC3661	8-759-671-94	IC MC74HC4053AFEL					
IC3671	8-759-429-17	IC NJM2268V (TE2)					
IC3701	8-752-109-74	IC CXA2199Q					
IC3702	8-759-445-59	IC BA033T					
IC3721	8-759-565-20	IC TDA4662T-V2					
IC3731	8-759-822-05	IC LA7213					
IC3741	8-759-429-17	IC NJM2268V (TE2)					
IC3751	8-759-671-94	IC MC74HC4053AFEL					
IC3811	8-759-238-47	IC TC74HCT7007AF (EL)					
IC3812	8-759-233-44	IC TC74HC595AF					
IC3813	8-759-233-44	IC TC74HC595AF					
< CONNECTOR/JACK >							
J3201	1-815-737-11	CONNECTOR, (D) SUB 9P (RS-232C)					
J3202	1-563-330-11	JACK (C TRL A1 II)					
J3301	1-817-601-21	JACK, PIN 3P (COMPONENT VIDEO MONITOR OUT)					
J3302	1-817-601-21	JACK, PIN 3P (COMPONENT VIDEO, TV IN)					
J3303	1-817-601-21	JACK, PIN 4P (COMPONENT VIDEO, DVD IN)					
J3401	1-770-337-21	JACK, PIN 3P (MONITOR OUT VIDEO, TV/SAT VIDEOIN, DVD VIDEO IN)					
J3402	1-770-337-21	JACK, PIN 3P (VIDEO2 VIDEO OUT, VIDEO2 VIDEO IN, VIDEO1 VIDEO OUT)					
J3403	1-774-227-21	JACK, PIN 1P (VIDEO1 VIDEO IN) (EXCEPT US, CND)					
J3403	1-794-435-11	JACK, PIN 2P (VIDEO1 VIDEO IN, 2ND ZONE VIDEO OUT) (US, CND)					
< COIL >							
L3421	1-410-482-31	MICRO INDUCTOR	100uH				
							(US, CND)
L3422	1-410-482-31	MICRO INDUCTOR	100uH				
							(US, CND)
L3431	1-410-482-31	MICRO INDUCTOR	100uH				
L3432	1-410-482-31	MICRO INDUCTOR	100uH				
L3501	1-408-781-00	CHIP INDUCTOR	22uH				
L3601	1-410-946-31	CHIP INDUCTOR	22uH				
< TRANSISTOR >							
Q3301	8-729-230-49	TRANSISTOR	2SC2712-YG				
Q3302	8-729-230-49	TRANSISTOR	2SC2712-YG				

Ref. No.	Part No.	Description	Remark	Ref. No.	Part No.	Description	Remark
Q3303	8-729-230-49	TRANSISTOR	2SC2712-YG	R3452	1-216-121-11	RES-CHIP	1M 5% 1/10W
Q3311	1-801-806-11	TR DTC144EKA		R3501	1-216-065-00	RES-CHIP	4.7K 5% 1/10W
Q3621	8-729-216-22	TRANSISTOR	2SA1162-G	R3502	1-216-035-00	RES-CHIP	270 5% 1/10W
Q3622	8-729-230-49	TRANSISTOR	2SC2712-YG	R3503	1-216-025-11	RES-CHIP	100 5% 1/10W
Q3631	8-729-216-22	TRANSISTOR	2SA1162-G				(US, CND, TW)
Q3632	8-729-230-49	TRANSISTOR	2SC2712-YG				(AEP, CH)
Q3641	8-729-216-22	TRANSISTOR	2SA1162-G	R3504	1-216-025-11	RES-CHIP	100 5% 1/10W
Q3651	8-729-140-97	TRANSISTOR	2SB734-34	R3505	1-216-035-00	RES-CHIP	270 5% 1/10W
Q3652	8-729-027-43	TRANSISTOR	DTC114EKA-T146				(AEP, CH)
Q3701	8-729-216-22	TRANSISTOR	2SA1162-G	R3506	1-216-121-11	RES-CHIP	1M 5% 1/10W
Q3731	1-801-806-11	TR DTC144EKA		R3507	1-216-121-11	RES-CHIP	1M 5% 1/10W
		< RESISTOR >		R3508	1-216-035-00	RES-CHIP	270 5% 1/10W
R3201	1-216-025-11	RES-CHIP	100 5% 1/10W				(AEP, CH)
R3202	1-216-025-11	RES-CHIP	100 5% 1/10W	R3509	1-216-025-11	RES-CHIP	100 5% 1/10W
R3301	1-216-022-00	RES-CHIP	75 5% 1/10W				(AEP, CH)
R3302	1-216-022-00	RES-CHIP	75 5% 1/10W	R3521	1-216-022-00	RES-CHIP	75 5% 1/10W
R3303	1-216-022-00	RES-CHIP	75 5% 1/10W	R3522	1-216-022-00	RES-CHIP	75 5% 1/10W
R3304	1-216-057-00	RES-CHIP	2.2K 5% 1/10W	R3523	1-216-022-00	RES-CHIP	75 5% 1/10W
R3305	1-216-073-00	RES-CHIP	1K 5% 1/10W	R3524	1-216-022-00	RES-CHIP	75 5% 1/10W
R3306	1-216-065-00	RES-CHIP	4.7K 5% 1/10W	R3525	1-216-022-00	RES-CHIP	75 5% 1/10W
R3307	1-216-073-00	RES-CHIP	1K 5% 1/10W	R3526	1-216-022-00	RES-CHIP	75 5% 1/10W
R3308	1-216-065-00	RES-CHIP	4.7K 5% 1/10W	R3603	1-216-091-00	RES-CHIP	56K 5% 1/10W
R3310	1-216-073-00	RES-CHIP	1K 5% 1/10W	R3604	1-216-043-00	RES-CHIP	560 5% 1/10W
R3311	1-216-037-00	RES-CHIP	330 5% 1/10W	R3605	1-216-061-00	RES-CHIP	3.3K 5% 1/10W
R3312	1-216-101-00	RES-CHIP	150K 5% 1/10W	R3606	1-216-057-00	RES-CHIP	2.2K 5% 1/10W
R3313	1-216-065-00	RES-CHIP	4.7K 5% 1/10W	R3607	1-216-059-00	RES-CHIP	2.7K 5% 1/10W
R3314	1-216-057-00	RES-CHIP	2.2K 5% 1/10W	R3621	1-216-029-00	RES-CHIP	150 5% 1/10W
R3315	1-216-295-00	SHORT CHIP	0	R3622	1-216-025-11	RES-CHIP	100 5% 1/10W
R3316	1-216-295-00	SHORT CHIP	0	R3623	1-216-049-11	RES-CHIP	1K 5% 1/10W
R3317	1-216-295-00	SHORT CHIP	0	R3624	1-216-043-00	RES-CHIP	560 5% 1/10W
△R3318	1-249-393-11	CARBON	10 5% 1/4W F	R3625	1-216-067-00	RES-CHIP	5.6K 5% 1/10W
△R3319	1-249-393-11	CARBON	10 5% 1/4W F	R3626	1-216-085-00	RES-CHIP	33K 5% 1/10W
R3323	1-216-073-00	RES-CHIP	1K 5% 1/10W	R3627	1-216-081-00	RES-CHIP	22K 5% 1/10W
R3324	1-216-073-00	RES-CHIP	1K 5% 1/10W	R3628	1-216-049-11	RES-CHIP	1K 5% 1/10W
R3325	1-216-073-00	RES-CHIP	1K 5% 1/10W	R3629	1-216-073-00	RES-CHIP	1K 5% 1/10W
R3401	1-216-295-00	SHORT CHIP	0	R3631	1-216-029-00	RES-CHIP	150 5% 1/10W
R3402	1-216-295-00	SHORT CHIP	0	R3632	1-216-025-11	RES-CHIP	100 5% 1/10W
R3403	1-216-295-00	SHORT CHIP	0	R3633	1-216-049-11	RES-CHIP	1K 5% 1/10W
R3404	1-216-049-11	RES-CHIP	1K 5% 1/10W	R3634	1-216-043-00	RES-CHIP	560 5% 1/10W
R3405	1-216-022-00	RES-CHIP	75 5% 1/10W	R3635	1-216-067-00	RES-CHIP	5.6K 5% 1/10W
R3406	1-216-022-00	RES-CHIP	75 5% 1/10W	R3636	1-216-085-00	RES-CHIP	33K 5% 1/10W
R3407	1-216-022-00	RES-CHIP	75 5% 1/10W	R3637	1-216-081-00	RES-CHIP	22K 5% 1/10W
R3408	1-216-022-00	RES-CHIP	75 5% 1/10W	R3638	1-216-049-11	RES-CHIP	1K 5% 1/10W
R3409	1-216-022-00	RES-CHIP	75 5% 1/10W	R3639	1-216-073-00	RES-CHIP	1K 5% 1/10W
R3410	1-216-022-00	RES-CHIP	75 5% 1/10W	R3641	1-216-121-11	RES-CHIP	1M 5% 1/10W
R3411	1-216-022-00	RES-CHIP	75 5% 1/10W	R3642	1-216-121-11	RES-CHIP	1M 5% 1/10W
R3412	1-216-022-00	RES-CHIP	75 5% 1/10W	R3643	1-216-017-00	RES-CHIP	47 5% 1/10W
			(US, CND)	R3644	1-216-025-11	RES-CHIP	100 5% 1/10W
R3421	1-216-022-00	RES-CHIP	75 5% 1/10W	R3645	1-216-033-00	RES-CHIP	220 5% 1/10W
			(US, CND)	R3646	1-216-085-00	RES-CHIP	33K 5% 1/10W
R3422	1-216-022-00	RES-CHIP	75 5% 1/10W	R3647	1-216-081-00	RES-CHIP	22K 5% 1/10W
			(US, CND)	R3648	1-216-053-00	RES-CHIP	1.5K 5% 1/10W
R3423	1-216-097-11	RES-CHIP	100K 5% 1/10W	R3649	1-216-025-11	RES-CHIP	100 5% 1/10W
			(US, CND)	R3651	1-216-073-00	RES-CHIP	1K 5% 1/10W
R3431	1-216-022-00	RES-CHIP	75 5% 1/10W	R3652	1-216-057-00	RES-CHIP	2.2K 5% 1/10W
R3432	1-216-022-00	RES-CHIP	75 5% 1/10W	R3671	1-216-121-11	RES-CHIP	1M 5% 1/10W
R3451	1-216-121-11	RES-CHIP	1M 5% 1/10W				

The components identified by mark △ or dotted line with mark △ are critical for safety. Replace only with part number specified.

Les composants identifiés par une marque △ sont critiques pour la sécurité. Ne les remplacer que par une pièce portant le numéro spécifié.

以阴影和 △标志来识别的零部件，在安全方面具有关键性。因此只能以规定号码的零部件来更换。

STR-DA5000ES

VIDEO VIDEO3 VOL

Ref. No.	Part No.	Description	Remark
R3701	1-216-053-00	RES-CHIP 1.5K 5%	1/10W
R3702	1-216-041-00	RES-CHIP 470 5%	1/10W
R3703	1-216-077-00	RES-CHIP 15K 5%	1/10W
R3704	1-216-089-11	RES-CHIP 47K 5%	1/10W
R3705	1-216-025-11	RES-CHIP 100 5%	1/10W
R3706	1-216-025-11	RES-CHIP 100 5%	1/10W
R3707	1-216-025-11	RES-CHIP 100 5%	1/10W
R3708	1-216-033-00	RES-CHIP 220 5%	1/10W
R3709	1-216-109-00	RES-CHIP 330K 5%	1/10W
R3710	1-216-037-00	RES-CHIP 330 5%	1/10W
R3711	1-216-071-00	RES-CHIP 8.2K 5%	1/10W
R3712	1-216-073-00	RES-CHIP 1K 5%	1/10W
R3713	1-216-057-00	RES-CHIP 2.2K 5%	1/10W
R3714	1-216-061-00	RES-CHIP 3.3K 5%	1/10W
R3715	1-216-061-00	RES-CHIP 3.3K 5%	1/10W
R3716	1-216-061-00	RES-CHIP 3.3K 5%	1/10W
R3731	1-216-037-00	RES-CHIP 330 5%	1/10W
R3732	1-216-101-00	RES-CHIP 150K 5%	1/10W
R3733	1-216-065-00	RES-CHIP 4.7K 5%	1/10W
R3734	1-216-081-00	RES-CHIP 22K 5%	1/10W
R3735	1-216-049-11	RES-CHIP 1K 5%	1/10W
R3741	1-216-121-11	RES-CHIP 1M 5%	1/10W
		< RELAY >	
RY3301	1-755-359-11	RELAY	
RY3302	1-755-359-11	RELAY	
RY3303	1-755-359-11	RELAY	
RY3304	1-755-359-11	RELAY	
RY3305	1-755-359-11	RELAY	
RY3306	1-755-359-11	RELAY	
		< CONNECTOR >	
TP3501	1-784-921-11	PIN, CONNECTOR 4P	
		< VIBRATOR >	
X3501	1-781-821-21	VIBRATOR, CRYSTAL (14.31MHz) (US, CND, TW)	
X3502	1-781-821-21	VIBRATOR, CRYSTAL (14.31MHz) (AEP, CH)	
X3503	1-781-820-21	VIBRATOR, CRYSTAL (17.437MHz) (AEP, CH)	
X3701	1-781-342-21	OSCILLATOR, CRYSTAL (3.5795MHz)	
X3702	1-781-134-21	VIBRATOR, CRYSTAL (4.43MHz)	
X3703	1-577-611-11	OSCILALTOR, CERAMIC (500kHz)	

A-4733-994-A		VIDEO3 BOARD, COMPLETE *****	
		< CAPACITOR/SHORT >	
C1028	1-165-319-11	CERAMIC CHIP 0.1uF	50V
C1029	1-163-009-11	CERAMIC CHIP 0.001uF 10%	50V
C1030	1-163-009-11	CERAMIC CHIP 0.001uF 10%	50V
C1032	1-163-009-11	CERAMIC CHIP 0.001uF 10%	50V
C1035	1-216-295-00	SHORT CHIP 0	
C1036	1-216-295-00	SHORT CHIP 0	
C1037	1-216-295-00	SHORT CHIP 0	

Ref. No.	Part No.	Description	Remark
		< CONNECTOR >	
* CN1019	1-564-728-11	PIN, CONNECTOR (SMALL TYPE) 12P	
		< GROUND TERMINAL >	
* EB1002	1-537-738-21	TERMINAL, EARTH	
		< IC >	
IC1006	6-600-219-01	IC GP1FM313RZ0F (VIDEO3 INPUT, VIDEO3 OPTICAL)	
		< JACK/TERMINAL >	
J1002	1-770-571-11	JACK BLOCK, PIN (L TYPE) 3P (VIDEO3 INPUT, VIDEO3 VIDEO/AUDIO)	
J1003	1-784-808-11	TERMINAL, S (VIDEO3 INPUT, S2 VIDEO)	
		< RESISTOR >	
R1047	1-216-025-11	RES-CHIP 100 5%	1/10W
R1048	1-216-025-11	RES-CHIP 100 5%	1/10W
R1049	1-216-025-11	RES-CHIP 100 5%	1/10W
R1050	1-216-022-00	RES-CHIP 75 5%	1/10W
R1051	1-216-022-00	RES-CHIP 75 5%	1/10W
R1052	1-216-022-00	RES-CHIP 75 5%	1/10W
R1059	1-216-097-11	RES-CHIP 100K 5%	1/10W
R1060	1-216-097-11	RES-CHIP 100K 5%	1/10W

	1-688-727-11	VOL BOARD *****	
		< CONNECTOR >	
* CN1004	1-564-719-11	PIN, CONNECTOR (SMALL TYPE) 3P	
		< ROTARY ENCODER >	
RV1007	1-477-382-11	ENCODER, ROTARY MASTER VOLUME)	

		MISCELLANEOUS *****	
60	1-500-249-21	BEAD, FERRITE (CASE) (EXCEPT US, CND)	
70	1-827-364-11	WIRE (FLAT TYPE) (23 CORE)	
72	1-773-045-11	WIRE (FLAT TYPE) (17 CORE)	
154	1-469-969-11	CLAMP, FERRITE (US, CND)	
155	1-773-036-11	WIRE (FLAT TYPE) (17 CORE)	
156	1-769-878-11	WIRE (FLAT TYPE) (7 CORE) (US, CND)	
157	1-769-943-11	WIRE (FLAT TYPE) (11 CORE) (EXCEPT AEP)	
157	1-773-007-11	WIRE (FLAT TYPE) (15 CORE) (AEP)	
160	1-400-061-11	CORE, FERRITE (CLAMP FILTER) (US, CND)	
204	1-500-472-11	CORE, FERRITE	
* 206	1-500-169-11	CORE (FPC)	
207	1-773-390-11	WIRE (FLAT TYPE) (35 CORE)	
208	1-400-583-11	CORE, FERRITE	
252	1-469-969-11	CLAMP, FERRITE (AEP, TW, KR)	
254	1-500-037-11	CORE, FERRITE (WITH CASE)	
257	1-469-854-11	CORE, FERRITE	
258	1-773-221-11	WIRE (FLAT TYPE) (25 CORE)	
303	1-500-753-11	CLAMP, FERRITE (EXCEPT US, CND)	
304	1-469-969-11	CLAMP, FERRITE (US, CND)	

Ref. No.	Part No.	Description	Remark	Ref. No.	Part No.	Description	Remark
305	1-400-061-11	CORE, FERRITE (CLAMP FILTER) (US, CND)		4-247-233-61	MANUAL, INSTRUCTION, INSTALL (PORTUGUESE, DANISH, FINNISH, RUSSIAN) (AEP)		
IC904	8-759-231-53	IC TA7805S		4-247-233-71	MANUAL, INSTRUCTION, INSTALL (GREEK, HUNGARIAN, CZECH, SLOVAKIAN) (AEP)		
IC905	8-759-394-36	IC BA09T		4-247-235-11	MANUAL, INSTRUCTION (RM-LJ312) (ENGLISH)		
IC906	8-759-245-79	IC TA79005S		4-247-235-21	MANUAL, INSTRUCTION (RM-LJ312) (FRENCH) (CND, AEP)		
IC909	8-759-445-59	IC BA033T		4-247-235-31	MANUAL, INSTRUCTION (RM-LJ312) (SPANISH, GERMAN, DUTCH, ITALIAN, SWEDISH, POLISH) (AEP)		
IC910	8-759-231-53	IC TA7805S		4-247-235-51	MANUAL, INSTRUCTION (RM-LJ312) (PORTUGUESE, DANISH, FINNISH, RUSSIAN) (AEP)		
Q904	6-550-625-01	TRANSISTOR 2SK1381		4-247-235-61	MANUAL, INSTRUCTION (RM-LJ312) (GREEK, HUNGARIAN, CZECK, SLOVAKIAN) (AEP)		
Q909	6-702-390-01	IC MN2488-OPY-MK		4-247-235-71	MANUAL, INSTRUCTION (RM-LJ312) (TRADITIONAL CHINESE, SIMPLIFIED CHINESE) (TW, CH)		
TU2051	1-693-577-21	TUNER (US, CND)		4-247-238-11	MANUAL, INSTRUCTION (RM-US106) (ENGLISH, FRENCH) (US, CND)		
TU2051	1-693-578-21	TUNER (AEP)		4-251-318-01	COVER, PROTECTION		
TU2051	1-693-580-23	TUNER (TW, CH)		4-950-766-01	LABEL, FCC DIGITAL DEVICE (US)		

ACCESSORIES							

	1-400-550-11	FILTER, CLAMP					
	1-478-000-11	COMMANDER, STANDARD (RM-US106) (US, CND)					
	1-478-001-11	COMMANDER, STANDARD (RM-LJ312)					
	1-501-374-12	ANTENNA, LOOP (AM)					
	1-501-594-14	ANTENNA (FM) (EXCEPT US, CND)					
△	1-551-631-22	CORD, POWER (AEP)					
△	1-757-130-12	CORD, POWER (CH)					
△	1-790-396-12	CORD, POWER (TW)					
	1-793-184-23	CONNECTOR (F TYPE ADAPTOR) (EXCEPT AEP)					
	1-823-512-12	CORD, POWER (US, CND)					
	4-228-696-01	COVER, BATTERY (for RM-US106) (US, CND)					
	4-241-478-01	COVER, BATTERY (for RM-LJ312)					
	4-247-188-12	MANUAL, INSTRUCTION (ENGLISH)					
	4-247-188-22	MANUAL, INSTRUCTION (FRENCH) (CND, AEP)					
	4-247-188-32	MANUAL, INSTRUCTION (SPANISH) (AEP)					
	4-247-188-42	MANUAL, INSTRUCTION (GERMAN, DUTCH, ITALIAN) (AEP)					
	4-247-188-52	MANUAL, INSTRUCTION (SWEDISH, POLISH) (AEP)					
	4-247-188-61	MANUAL, INSTRUCTION (TRADITIONAL CHINESE, SIMPLIFIED CHINESE) (TW, CH)					
	4-247-232-11	MANUAL, INSTRUCTION (PORTUGUESE) (AEP)					
	4-247-232-21	MANUAL, INSTRUCTION (DANISH, FINNISH) (AEP)					
	4-247-232-31	MANUAL, INSTRUCTION (RUSSIAN) (AEP)					
	4-247-232-41	MANUAL, INSTRUCTION (GREEK) (AEP)					
	4-247-232-51	MANUAL, INSTRUCTION (HUNGARIAN, CZECH) (AEP)					
	4-247-232-61	MANUAL, INSTRUCTION (SLOVAKIAN) (AEP)					
	4-247-233-11	MANUAL, INSTRUCTION, INSTALL (ENGLISH, FRENCH) (US, CND)					
	4-247-233-21	MANUAL, INSTRUCTION, INSTALL (ENGLISH, FRENCH, SPANISH) (AEP)					
	4-247-233-31	MANUAL, INSTRUCTION, INSTALL (GERMAN, DUTCH, ITALIAN) (AEP)					
	4-247-233-41	MANUAL, INSTRUCTION, INSTALL (SWEDISH, POLISH) (AEP)					
	4-247-233-51	MANUAL, INSTRUCTION, INSTALL (ENGLISH, TRADITIONAL CHINESE, SIMPLIFIED CHINESE) (TW, CH)					

The components identified by mark △ or dotted line with mark △ are critical for safety. Replace only with part number specified.

Les composants identifiés par une marque △ sont critiques pour la sécurité. Ne les remplacer que par une pièce portant le numéro spécifié.

以阴影和 △ 标志来识别的零部件，在安全方面具有关键性。因此只能以规定号码的零部件来更换。

MEMO

STR-DA5000ES

SONY[®]

SERVICE MANUAL

Ver 1.1 2004.09

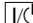
US Model
Canadian Model
AEP Model
E Model
Chinese Model


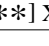
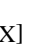
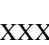




SUPPLEMENT-1

Subject: Addition of "SPECIAL MENU MODE"

SPECIAL MENU MODE

Procedure:

1. Press the  button to turn on the main power, then while pressing the **MEMORY/ENTER** button, press the **MOVIE** button in order.
2. The message “MENU EXPANDED !” appears.
3. Each time the **MENU** dial is turned clockwise, the item is switched in order as follows.
4. To release from this mode, while pressing the **MEMORY/ENTER** button, press the **MOVIE** button in order again.
5. The message “MENU EXPAND OFF” appears.

Items	Display	Remark
Protector on/off	SPECIAL PROTECTOR ON/OFF [XXX]	XXX: ON or OFF (switching with ) dial
Model version display	SPECIAL #### ***** vX.XX @@@@	####: model *****: destination X.XX: main microprocessor software version @@@@: Sum value of flash memory in the main microprocessor
Model/distination change	SPECIAL MODEL [#### *****] XX	####: model, *****: destination, XX: at or fx (switching with ) dial)
FL display fonts test	SPECIAL FL FONT 0x** = [X]	** : 20 to 1F, X: character (switching with ) dial)
FL display test	ALL ON	Each time DISPLAY button to change as follows. all on → test pattern 1 → test pattern 2 → all off → all on
Audio swap	SPECIAL SWAP [XXXXXXXXXXXX]	Switching with ) dial
DSP reset	SPECIAL DSP RESET [XXX]	XXX: ON or OFF (switching with ) dial) Note: Since it continues being reset when “DSP RESET [ON]” is chosen, be sure to return to “DSP RESET [OFF]”
DSP 1 IRAM	DSP 1 IRAM I [*****]= XXXX	The umbers which can be changed will blinks To select the digit: Press the TUNING + or TUNING - button To select the number when the umbers (***** or XXXX) blinks: Rotate the ) dial To perform the write when the umbers (XXXX) blinks: Press the MEMORY/ENTER button *****: instruction RAM address XXXX: instruction RAM address data Note: When parenthesis is the position of instruction RAM address data, up/down of the menu item by the MENU dial are invalid
DSP 1 ARAM	DSP 1 ARAM D [*****]= XXXXXXXX	The umbers which can be changed will blinks To select the digit: Press the TUNING + or TUNING - button To select the number when the umbers (***** or XXXXXXXX) blinks: Rotate the ) dial To perform the write when the umbers (XXXXXXXX) blinks: Press the MEMORY/ENTER button *****: coefficient RAM address XXXXXXXX: coefficient RAM address data Note: When parenthesis is the position of coefficient RAM address data, up/down of the menu item by the MENU dial are invalid
DSP 2 IRAM	DSP 2 IRAM I [*****]= XXXX	The umbers which can be changed will blinks To select the digit: Press the TUNING + or TUNING - button To select the number when the umbers (***** or XXXX) blinks: Rotate the ) dial To perform the write when the umbers (XXXX) blinks: Press the MEMORY/ENTER button *****: instruction RAM address XXXX: instruction RAM address data Note: When parenthesis is the position of instruction RAM address data, up/down of the menu item by the MENU dial are invalid

Items	Display	Remark
DSP 2 ARAM	DSP 2 ARAM D [****]= XXXXXXXX	The umbers which can be changed will blinks To select the digit: Press the [TUNING +] or [TUNING -] button To select the number when the umbers (**** or XXXXXXXX) blinks: Rotate the [-/+] dial To perform the write when the umbers (XXXXXXX) blinks: Press the [MEMORY/ENTER] button ****: coefficient RAM address XXXXXXX: coefficient RAM address data Note: When parenthesis is the position of coefficient RAM address data, up/down of the menu item by the [MENU] dial are invalid
Bass management	SPECIAL BASSMAN. [****] XX	****: AUTO or OFF, XX: 02 to 30 (switching with [-/+] dial)
DSP boot error	SPECIAL DSP BOOT ERROR:XXX	Not used for the servicing
DSP write 1 error	SPECIAL DSP WRT1 ERROR:XXX	Not used for the servicing
DSP write 2 error	SPECIAL DSP WRT2 ERROR:XXX	Not used for the servicing
DSP write 3 error	SPECIAL DSP WRT3 ERROR:XXX	Not used for the servicing
DSP read 1 error	SPECIAL DSP RAD1 ERROR:XXX	Not used for the servicing
DSP read 2 error	SPECIAL DSP RAD2 ERROR:XXX	Not used for the servicing
DSP read 3 error	SPECIAL DSP RAD3 ERROR:XXX	Not used for the servicing
DSP HALT	SPECIAL DSP HALT [XXX]	XXX: ON or OFF (switching with [-/+] dial)
DSP Version display	SPECIAL SurV *:vXXX	Not used for the servicing
Volume value display	SPECIAL (FL/FR)	Not used for the servicing FL **** FR XXXX
Volume value display	SPECIAL (SL/SR)	Not used for the servicing SL **** SR XXXX
Volume value display	SPECIAL (CT/SW)	Not used for the servicing CT **** SW XXXX
Volume value display	SPECIAL (SBL/SBR)	Not used for the servicing SBL **** SBR XXXX
EEPROM debug	SPECIAL EEPROM [****] XX	****: EEPROM address XX: EEPROM data (switching with [-/+] dial)
Super reset	SPECIAL SUPER RESET [XXX]	Not used for the servicing If super reset is performed, “up convert signal level adjustment” will also be initialized When EEPROM initialization is required, perform the “all clear mode” (see page 14 of original service manual)
2nd volume value display	SPECIAL 2nd VOLUME –XX	XX: 2nd zone volume value (00 to ∞) (switching with [-/+] dial)
3rd volume value display	SPECIAL 3rd VOLUME –XX	XX: 3rd zone volume value (00 to ∞) (switching with [-/+] dial)
FL display duty change	SPECIAL DARK OUT DUTY [XXX%]	XXX: Duty value of FL display (0% to 100%) (switching with [-/+] dial)
SDRAM check	SPECIAL SDRAM CHECK [XXXXX]	Check the operation of LIP SYNC XXXXX: PASS (OK) or ERROR (NG)
Error count display	SPECIAL SCOM ERROR COUNT XXX	Not used for the servicing
Version display	SPECIAL Sub Micom Ver. X.XX	Not used for the servicing

