

STR-DA30ES/DA50ES/V55ES

SERVICE MANUAL

Ver 1.1 2001.06



Photo : STR-DA50ES

US Model
Canadian Model
STR-DA30ES/DA50ES
AEP Model
UK Model
E Model
Australian Model
PX Model
STR-DA50ES
Chinese Model
STR-V55ES

Manufactured under license from Dolby Laboratories Licensing Corporation.

DOLBY, the double-D symbol $\square\square$, AC-3, the Dolby Digital and "PRO LOGIC" are trademarks of Dolby Laboratories Licensing Corporation.

SPECIFICATIONS

AUDIO POWER SPECIFICATIONS

POWER OUTPUT AND TOTAL HARMONIC DISTORTION:

With 8 ohm loads, both channels driven, from 20 - 20,000 Hz; rated 120 watts (80 watts: DA30ES) per channel minimum RMS power, with no more than 0.05% total harmonic distortion from 250 milliwatts to rated output (USA model only).

Amplifier section

POWER OUTPUT

Stereo mode (8 ohms 20 Hz - 20 kHz, THD 0.05%)
120 W + 120 W (DA50ES/V55ES)
80 W + 80 W (DA30ES)
(4 ohms 20 Hz - 20 kHz, THD 0.05%)
100 W + 100 W (DA50ES/V55ES)
70 W + 70 W (DA30ES)

Surround mode (8 ohms at 1 kHz, THD 0.05%)
Front: 120W + 120W (DA50ES/V55ES)
80W + 80W (DA30ES)
Center^{a)}: 120W (DA50ES/V55ES)
80W (DA30ES)
Rear^{b)}: 120W + 120W (DA50ES/V55ES)
80W + 80W (DA30ES)
(4 ohms at 1kHz, THD 0.05%)
Front: 100W + 100W (DA50ES/V55ES)
70W + 70W (DA30ES)
Center^{a)}: 100W (DA50ES/V55ES)
70W (DA30ES)
Rear^{b)}: 100W + 100W (DA50ES/V55ES)
70W + 70W (DA30ES)

a) Depending on the sound field settings and the source, there may be no sound output.

Frequency response

PHONO: RIAA

equalization curve ± 0.5 dB

CD, TAPE, MD/DAT, DVD/LD, DVD TV/DBS, TV/LD, VIDEO 1, 2, and VIDEO 3:

10 Hz - 50 kHz $\pm 0.5/-2$ dB (with sound field, tone, and bass booster bypassed)

Inputs (Analog) PHONO:

Sensitivity: 2.5 mV

Impedance: 50 kilohms

S/N^{b)}: 75 dB (A, 2.5 mV^{c)})

CD, DVD/LD, DVD/TAPE, MD/DAT, TV/

DBS, TV/LD, 5.1 INPUT, VIDEO 1, 2, AND VIDEO 3:

Sensitivity: 150 mV

Impedance: 50 kilohms

S/N^{b)}: 82 dB (A, 150 mV^{c)})

b) 78' IHF

c) Weighted network, input level

Inputs (Digital) DVD/LD, DVD (coaxial):

Sensitivity: 0.5 Vp-p

Impedance: 75 ohms

S/N: 100 dB (A, 20 kHz LPF)

CD, DVD/LD, DVD, TV/DBS,

TV/LD, MD/DAT (Optical):

S/N: 100 dB (A, 20 kHz LPF)

— Continued on next page —

FM STEREO FM-AM RECORDER

9-922-946-12

2001F1600-1

© 2001.6

Sony Corporation

Home Audio Company

Shinagawa Tec Service Manual Production Group

SONY®

Outputs (Analog)

TAPE, MD/DAT (REC OUT),
 VIDEO 1, 2 (AUDIO OUT):
 Voltage: 150 mV,
 Impedance: 10 kilohms
 FRONT L/R, CENTER, REAR L/R
 WOOFER:
 Voltage: 2 V
 Impedance: 1 kilohms
 PHONES:
 Accepts low – and high-impedance headphones

Outputs (Digital)

MD/DAT (Optical)
 BASS BOOST +6 dB at 70 Hz
 Sampling Frequency
 48 kHz
 EQ
 BASS: 100 Hz ~ 1.0kHz (21 steps)
 MID: 500 Hz ~ 5.0kHz (21 steps)
 TREBLE: 1.0 kHz ~ 10kHz (21 steps)
 Gain levels: ±10 dB, 1 dB step

FM tuner section

Tuning range 87.5 – 108.0 MHz
 Antenna terminals
 75 ohms, unbalanced
 Sensitivity Mono: 18.3 dBf, 4.5 µV
 Stereo: 38.3 dBf, 45 µV
 Usable sensitivity
 11.2 dBf, 2 µV (IHF)
 S/N Mono: 76 dB
 Stereo: 70 dB
 Harmonic distortion at 1 KHz
 Mono: 0.3%
 Stereo: 0.5%
 Separation 45 dB at 1 kHz
 Frequency response
 30 Hz – 15 kHz +0.5/-2 dB
 Selectivity 60 dB at 400 kHz

AM tuner section

Tuning range With 10-kHz tuning scale:
 530 – 1710 kHz (USA/Canada)^{d)}
 530 – 1610 kHz (E)^{d)}
 With 9-kHz tuning scale:
 531 – 1710 kHz (USA/Canada)^{d)}
 531 – 1602 kHz (all other countries)^{d)}
 Antenna Loop antenna
 Usable sensitivity
 50 dB/m (at 1,000 kHz or 999 kHz)
 S/N 54 dB (at 50 mV/m)
 Harmonic distortion
 0.5 % (50 mV/m, 400 kHz)
 Selectivity At 9 kHz: 35dB
 At 10 kHz: 40 dB

d) You can change the AM tuning scale to 9 kHz (USA/Canada) or 10 kHz (all other countries). After tuning in any AM station, turn off the receiver. Hold down the TUNING + button and press the 1/u button. All preset stations will be erased when you change the tuning scale. To reset the scale to 10 kHz (or 9 kHz), repeat the procedure.

Video section

Inputs S.VIDEO Y: 1 Vp-p 75 ohms
 S.VIDEO C: 0.286 Vp-p 75 ohms
 Outputs S.VIDEO Y: 1 Vp-p 75 ohms
 S.VIDEO C: 0.286 Vp-p 75 ohms

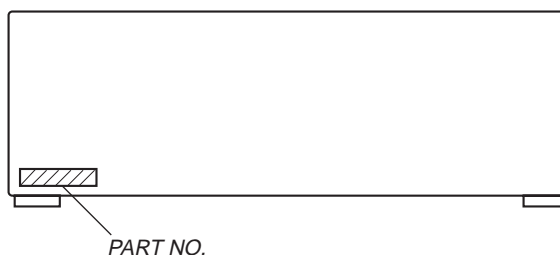
General

System Tuner section:
 PLL quartz-locked digital synthesizer system
 Preamplifier section: Low-noise NF type equalizer
 Power amplifier section: Pure-complementary SEPP
 Power requirements
 USA, Canadian: 120 V AC, 60 Hz
 E, Saudi Arabia, PX: 120 or 220 or 240 V AC, 50/60 Hz
 (Adjustable with voltage selector)
 Other countries: 230 V 50/60 Hz
 Power consumption
 DA50ES USA, E: 380 W
 DA50ES Canadian: 550 VA
 DA30ES USA: 280 W
 DA30ES Canadian: 400 VA
 Other countries: 420 W
 AC outlets 2 switched, total 100 W
 Dimensions 430 × 160 × 410 mm (17 × 6³/₈ × 16¹/₄ inches)
 including projecting parts and controls
 Mass (Approx.) DA50ES/V55ES: 16 Kg
 DA30ES: 14 Kg
 Supplied Accessories
 FM wire antenna (1)
 AM loop antenna (1)
 Remote commander RM-TP501 (remote) (1)
 LR6 (size-AA) alkaline batteries (4)

Design and specifications are subject to change without notice.

MODEL IDENTIFICATION

– BACK PANEL –



MODEL	PARTS No.
DA50ES: US model	4-900-653-0□
DA50ES: Canadian model	4-900-653-1□
DA50ES: AEP, UK, German, East European, Australian models	4-900-653-2□
DA50ES: E, Saudi Arabia, PX models	4-900-653-3□
DA50ES: Malaysia, Singapore models	4-900-653-4□
V55ES: Chinese model	4-900-653-5□
DA30ES: US model	4-900-653-6□
DA30ES: Canadian model	4-900-653-7□

SAFETY CHECK-OUT

After correcting the original service problem, perform the following safety checks before releasing the set to the customer: Check the antenna terminals, metal trim, “metallized” knobs, screws, and all other exposed metal parts for AC leakage. Check leakage as described below.

LEAKAGE

The AC leakage from any exposed metal part to earth ground and from all exposed metal parts to any exposed metal part having a return to chassis, must not exceed 0.5 mA (500 microamperes). Leakage current can be measured by any one of three methods.

1. A commercial leakage tester, such as the Simpson 229 or RCA WT-540A. Follow the manufacturers’ instructions to use these instruments.
2. A battery-operated AC milliammeter. The Data Precision 245 digital multimeter is suitable for this job.
3. Measuring the voltage drop across a resistor by means of a VOM or battery-operated AC voltmeter. The “limit” indication is 0.75 V, so analog meters must have an accurate low-voltage scale. The Simpson 250 and Sanwa SH-63Trd are examples of a passive VOM that is suitable. Nearly all battery operated digital multimeters that have a 2V AC range are suitable. (See Fig. A)

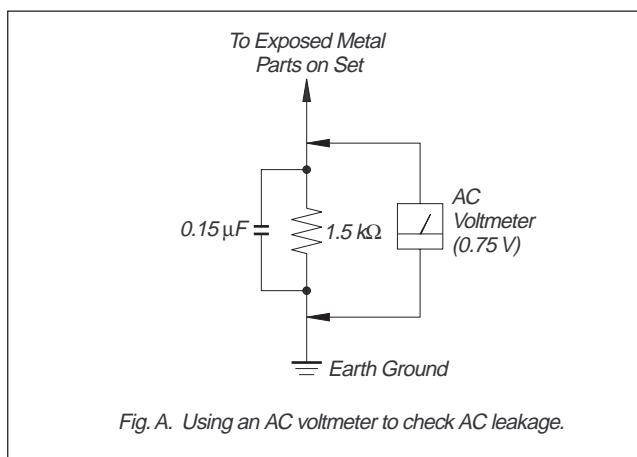


TABLE OF CONTENTS

SERVICE NOTE	4
1. GENERAL	5
2. TEST MODE	7
3. ELECTRICAL ADJUSTMENTS	8
4. DIAGRAMS	
4-1. Block Diagram — Main Section —	9
4-2. Block Diagram — Tuner Section —	11
4-3. Block Diagram — Power Section —	13
4-4. Circuit Boards Location	15
4-5. Schematic Diagram — Digital Section (1/2) —	17
4-6. Schematic Diagram — Digital Section (2/2) —	19
4-7. Printed Wiring Board — Digital Section —	21
4-8. Printed Wiring Board — Main Section —	23
4-9. Schematic Diagram — Main Section (1/3) —	25
4-10. Schematic Diagram — Main Section (2/3) —	27
4-11. Schematic Diagram — Main Section (3/3) —	29
4-12. Schematic Diagram — AMP Section —	31
4-13. Printed Wiring Board — AMP Section —	33
4-14. Schematic Diagram — Video Section —	35
4-15. Printed Wiring Board — Video Section —	37
4-16. Schematic Diagram — Display Section —	39
4-17. Printed Wiring Board — Display Section —	41
4-18. Schematic Diagram — Speaker Section —	43
4-19. Printed Wiring Board — Speaker Section —	45
4-20. Printed Wiring Board — Audio Section —	47
4-21. Schematic Diagram — Audio Section —	49
4-22. Schematic Diagram — Input Section —	50
4-23. Printed Wiring Board — Input Section —	51
4-24. Schematic Diagram — Power Section —	53
4-25. Printed Wiring Board — Power Section —	55
4-26. IC Block Diagrams	57
4-27. IC Pin Function Description	61
5. EXPLODED VIEWS	
5-1. Front Panel Section	69
5-2. Chassis Section	70
6. ELECTRICAL PARTS LIST	72

与安全有关的零部件须知

在原理图上用阴影及 \triangle 标记来识别的零部件在安全操作上是具有关键性的。这些零部件要用本手册中所示的部件号对应的索尼零部件进行更换。

在安全操作上具有关键性的电路调整与索尼公司出版的维修手册完全一致。在更换关键零部件时或怀疑动作失常时，请进行这些调整操作。

SAFETY-RELATED COMPONENT WARNING!!

COMPONENTS IDENTIFIED BY MARK \triangle OR DOTTED LINE WITH MARK \triangle ON THE SCHEMATIC DIAGRAMS AND IN THE PARTS LIST ARE CRITICAL TO SAFE OPERATION. REPLACE THESE COMPONENTS WITH SONY PARTS WHOSE PART NUMBERS APPEAR AS SHOWN IN THIS MANUAL OR IN SUPPLEMENTS PUBLISHED BY SONY.

ATTENTION AU COMPOSANT AYANT RAPPORT À LA SÉCURITÉ!

LES COMPOSANTS IDENTIFÉS PAR UNE MARQUE \triangle SUR LES DIAGRAMMES SCHÉMATIQUES ET LA LISTE DES PIÈCES SONT CRITIQUES POUR LA SÉCURITÉ DE FONCTIONNEMENT. NE REMPLACER CES COMPOSANTS QUE PAR DES PIÈCES SONY DONT LES NUMÉROS SONT DONNÉS DANS CE MANUEL OU DANS LES SUPPLÉMENTS PUBLIÉS PAR SONY.

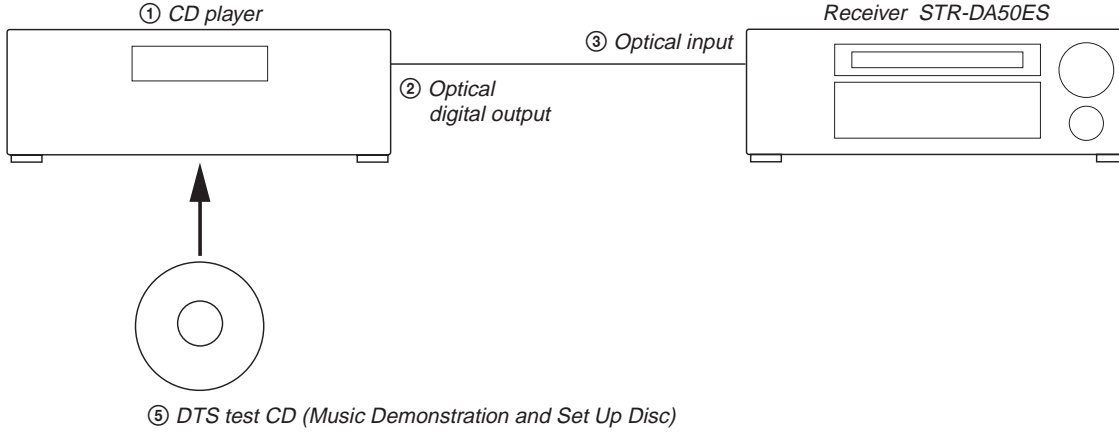
SERVICE NOTE

DTS Decode Test

[Required Instrument]

CD player (equipped with optical digital output)
Optical cable
DTS test CD (J-2501-154-A)

[Connection]



[Procedure]

1. Set the FUNCTION of the receiver to the CD position and confirm that "@OPTICAL@" and "CD" appear on the display.
2. Insert the DTS test CD into the CD player and play the CD.
3. About three seconds later, confirm that the receiver recognizes the optical signal and that the "DTS" and "dts [3/2]" are appear on the display. Confirm also that MULTI CHANNEL DECODING (blue lamp) flashes on the front panel.

[Music Demonstration]

Track No.	Contents	Time
1	Seal : "Prayer for the Dying"	5'40"
2	Andrew Litton conducting The Dallas Symphony Orchestra & Chorus: Excerpt from Tchaikovsky: "1812 Overture"	4'16"
3	Alan Parsons with Christopher Cross: "So Far Away"	4'08"
4	Shoelss Joe: "The Bet"	3'29"
5	TELARC: "A Touch of Surround Madness"	6'42"

[Set-Up]

Track No.	Contents	Time
6	1 kHz sine (All channels) Level Adjustment and Harmonic Distortion Analysis	1'00"
7	100 Hz sine (All channels) Verification of Signal and Subwoofer Testing	1'00"
8	C-Weighted Pink Noise-Left Front Channel	2'00"
9	C-Weighted Pink Noise-Center Channel	2'00"
10	C-Weighted Pink Noise-Right Front Channel	2'00"
11	C-Weighted Pink Noise-Right Rear Channel	2'00"
12	C-Weighted Pink Noise-Left Rear Channel	2'00"
13	C-Weighted Pink Noise-Subwoofer (LEE)	2'00"
14	C-Weighted Pink Noise-All Channels	2'00"
15	10 Hz to 20 kHz Sine Sweep An "All Channel" Frequency Response Test	2'00"
16	20 Hz to 160 Hz sine sweep A "Subwoofer" Low Frequency Response Test	2'00"

* Track numbers from 8 to 14 are for Room Equalization and Channel Identification.

Location of Parts and Basic Operations

This chapter provides information about the locations and functions of the buttons and controls on the front panel. It also explains basic operations.

Front Panel Parts Description

- 1** **Power switch**
Press to turn the receiver on and off.
 - Before you turn on the receiver, make sure that you have turned the MASTER VOLUME control to the leftmost position to avoid damaging your speakers.

- 2** **FUNCTION control**
Rotate to select the component you want to use.

To select	Rotate to light
VCR	VIDEO 1 or VIDEO 2
Camcorder or video game	VIDEO 3
TV or DBS tuner	TV/DBS (USA/Canada)
TV tuner or LD player	TV/LD (Other countries)
DVD or LD player	DVD/LD (USA/Canada)
DVD player	DVD (Other countries)
Tape deck	TAPE
MD or DAT deck	MD/DAT
CD player	CD
Built-in tuner	TUNER
Turntable	PHONO

After selecting the component, turn on the component you selected and play the program source.

- After selecting VCR, camcorder, video game, DVD player, or LD player, turn on the TV and set the TV's video input.
- When using digital inputs, there may be up to 5 seconds of silence when switching functions or inserting new discs.

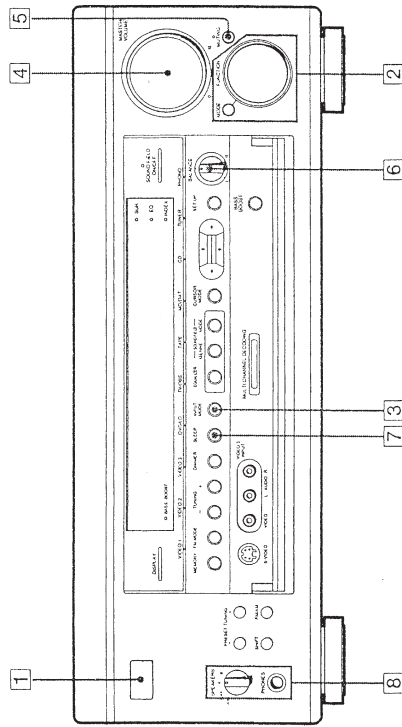
MODE button
Press to select and play another video/audio source in combination with the selected component.
Each time you press the button, the display changes as follows:

V:XXX → A:XXX → selected component

Press MODE to display	And rotate FUNCTION to select
V:XXX	Any video source to enjoy with the audio from the selected component
A:XXX	Any audio source to enjoy with the video from the selected component

Function indicators
Normally, the indicator above the selected function lights orange. However, when MODE is used to select a different video (V:XXX) or audio (A:XXX) source, the video function lights green and the audio function lights orange. This also occurs when you select audio components (like PHONO).

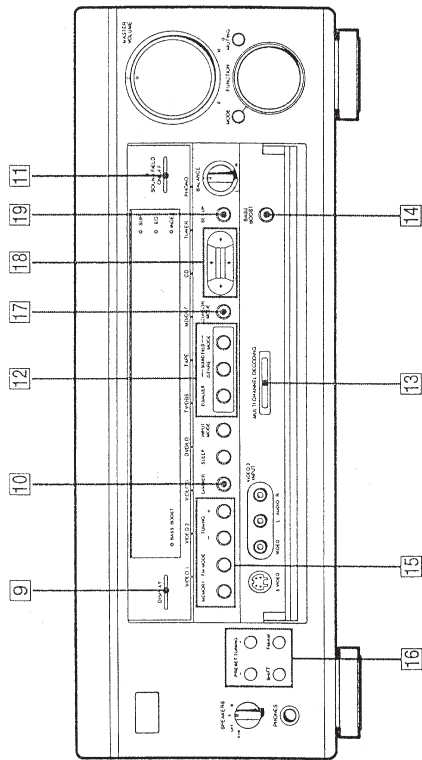
Location of Parts and Basic Operations



- 3** **INPUT MODE button**
Press to select the input mode for your digital components (DVD/LD (or DVD), TV/DBS (or TV/LD), CD, and MD/DAT).
Each press switches the input mode of the currently selected component.
- | Select | To |
|-------------------|---|
| AUTO | Give priority to digital signals when there are both digital and analog receptors. If there are no digital signals, analog is selected. |
| ANALOG | Specify the analog audio signals input to the AUDIO IN (L and R) jacks |
| DIGITAL (OPTICAL) | Specify the digital audio signals input to the DIGITAL OPTICAL input jacks |
| DIGITAL (COAXIAL) | Specify the digital audio signals input to the DIGITAL COAXIAL input jack (DVD/LD (DVD) only) |
- 4** **MASTER VOLUME control**
After turning on the component you selected, rotate to adjust the volume.
 - 5** **MUTING button**
Press to mute the sound. The indicator above the button lights up when the sound is muted.
 - 6** **BALANCE control**
Rotate to adjust the balance of the front speakers.
 - 7** **SLEEP button**
Press to select the time after which the receiver turns off automatically (see page 44).
 - 8** **SPEAKERS selector**
Set according to the front speakers you want to drive.
- | Set to | To select |
|--------|---|
| A | The speakers connected to the FRONT SPEAKERS A terminals |
| B | The speakers connected to the FRONT SPEAKERS B terminals |
| A+B | The speakers connected to both the FRONT SPEAKERS A and B terminals (parallel connection) |
| OFF | No front speaker output |
- PHONES jack**
Connects headphones.
- To use the headphones, set the SPEAKERS selector to OFF to output sound to the headphones.
 - When the sound field is ON, setting the SPEAKERS selector to OFF will automatically present a two channel downmix from the headphones.

SECTION 1 GENERAL

This section is extracted from STR-DA50ES instruction manual.



9 **DISPLAY button**
Press repeatedly to change the information on the display window as follows:

Index name of the component or the preset station*

FUNCTION button indication or frequency**

Sound field applied to the program source

- * Index name appears only when you have assigned one to the component or preset station (see page 42). Index name does not appear when only blank spaces have been entered, or it is the same as the function button.
- ** Frequency appears only when the tuner is selected.

12 Use the following buttons to enjoy surround sound. For details, see "Enjoying Surround Sound" starting from page 26.

EQUALIZER button

Press to turn the equalizer on or off. The EQ indicator lights when the equalizer is turned on. When you adjust the equalizer using the CURSOR MODE menu EQUALIZER parameters (page 34) the settings are stored automatically and can be reproduced whenever you turn on the equalizer.

GENRE button

Press to select the sound field group you want.

MODE button

Press to select a sound field from the group you selected.

13 **MULTI CHANNEL DECODING indicator**

This indicator lights when the sound field is on and the unit is decoding signals recorded in a multi channel format.

10 **DIMMER button**

Press repeatedly to adjust the brightness of the display. You can select from four different brightness levels.

11 **SOUND FIELD ON/OFF button**

Press to turn the sound field on or off. The indicator above the button lights when the sound field is on. For details, see "Enjoying Surround Sound" starting from page 26.

14 **BASS BOOST button**

Press to increase the bass of the front speakers. The BASS BOOST indicator lights up when the function is turned on.

When you want to enjoy high quality sound

Do the following to bypass the sound field, tone effect, and the bass booster circuits.

1. Press BASS BOOST to turn off the BASS BOOST indicator.
2. Press EQUALIZER to turn off the EQ indicator.
3. Press SOUND FIELD ON/OFF to turn off the SOUND FIELD indicator.

The result will be a sound that is highly faithful to the program source.

15 The following buttons operate the built-in tuner. For details, see "Receiving Broadcasts" starting from page 37.

MEMORY button

Press to memorize a preset station.

FM MODE button

If "STEREO" flashes in the display and the FM stereo reception is poor, press this button. You will not have the stereo effect but the sound is improved.

TUNING +/- buttons

Scans all the available radio stations.

16 The following buttons operate the built-in tuner. For details, see "Receiving Broadcasts" starting from page 37.

PRESET TUNING +/- buttons

Scans all preset stations.

SHIFT button

Selects a memory page for preset stations.

FM/AM button

Selects the FM or AM band.

17 **CURSOR MODE button**

Press this button repeatedly to select any of the following three cursor modes. The indicator for the selected cursor mode lights up. The indicator turns off when you press the SET UP button.

When cursor mode is

SURROUND

You can
Change the various surround parameters (effect level, wall type, etc.), adjust the volume and balance of the rear speakers, and adjust the volume of the center speaker and subwoofer (page 33).

EQUALIZER

You can
Adjust the equalization (bass/mid/treble) of the front, center and rear speakers (page 34). Press the EQUALIZER button to activate the equalizer.

INDEX

You can
Enter an index name for preset stations and program sources (page 42).

18 **Cursor buttons (←/→/↑/↓)**

After pressing the CURSOR MODE or SET UP button, use these buttons to make specific settings (see pages 15, 17, 33, 34, and 43).

19 **SET UP button**

Press this button repeatedly to select any of the following three indications. The selected indication appears in the display and you will be able to make various settings using the cursor buttons.

When you display

You can
SPEAKER SETUP
Specify the front, center, rear speaker sizes, the rear speaker position, and whether or not you are using a subwoofer (page 15)

SPEAKER DISTANCE

You can
Specify the front, center, and rear speaker distances and the unit of measurement (page 17)

OTHER

You can
Set the display to one of four brightness levels

SECTION 2 TEST MODE

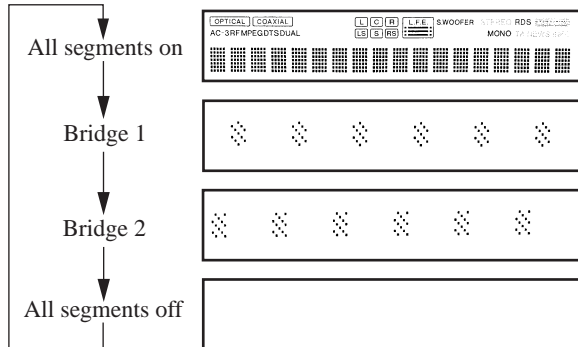
FLUORESCENT INDICATOR TUBE TEST MODE

* All fluorescent segments are tested. When this test is activated, all segments turn on at the same time, then each segment turns on one after another.

* Procedure:

While depressing the FUNCTION MODE and the SOUND FIELD MODE buttons simultaneously, press the power [I/⏻] button to turn on the main power. All segments turn on at the same time, then each segment turns on one after another.

When the CURSOR MODE button, ←, ↑, ↓, or → is pressed, the indication advances in the following order: All segments on, Bridge 1, Bridge 2, All segments off.



FACTORY SET MODE

* All preset contents are reset to the default setting.

* Procedure:

While depressing the FUNCTION MODE and the SOUND FIELD GENRE buttons simultaneously, press the power [I/⏻] button to turn on the main power. The message FACTORY SET appears and the present contents are reset to the default values.

ALL CLEAR MODE

* All preset contents are cleared when this mode is activated. Use this mode before returning the product to clients upon completion of repair.

* Procedure:

While depressing the SOUND FIELD GENRE and the SOUND FIELD ON/OFF buttons simultaneously, press the power [I/⏻] button to turn on the main power. The message ALL CLEAR! appears and the preset data is cleared.

SOUND FIELD CLEAR MODE

* The preset sound field is cleared when this mode is activated. Use this mode before returning the product to clients upon completion of repair.

* Procedure:

While depressing the SOUND FIELD ON/OFF button, press the power [I/⏻] button to turn on the main power. The message SURR CLEAR! appears and initialization is performed.

AM CHANNEL STEP 9 kHz/10 kHz

SELECTION MODE

* Either the 9 kHz step or 10 kHz step can be selected for the AM channel step.

* Procedure:

Set the FUNCTION to AM. Turn off the main power. While depressing the TUNING+ button or the PRESET TUNING + button, press the power [I/⏻] button to turn on the main power. Either the message AM 9kHz STEP or AM 10kHz STEP appears. Select the desired step.

DSP TEST MODE

* Procedure:

While depressing the FUNCTION MODE and the EQUALIZER buttons simultaneously, press the power [I/⏻] button to turn on the main power. The message DSP NO ERROR or DSP ERROR. When DSP NO ERROR is displayed, a 1 kHz signal is output to all channels.

When the ←, ↑, ↓, or → button is pressed while DSP NO ERROR is displayed, the message DSP TEST MODE appears.

In this mode, the input signal that is selected by the FUNCTION key is distributed to each speaker.

Speaker	CENTER	REAR L	REAR R	FRONT L	FRONT R
Signal	L	L	R	L	R

DTS MODE

* Procedure:

While depressing the ← and → buttons simultaneously, press the power [I/⏻] button to turn on the main power. The message ATTENUATE OFF or ATTENUATE ON.

SECTION 3 ELECTRICAL ADJUSTMENT

IDLING CURRENT ADJUSTMENT

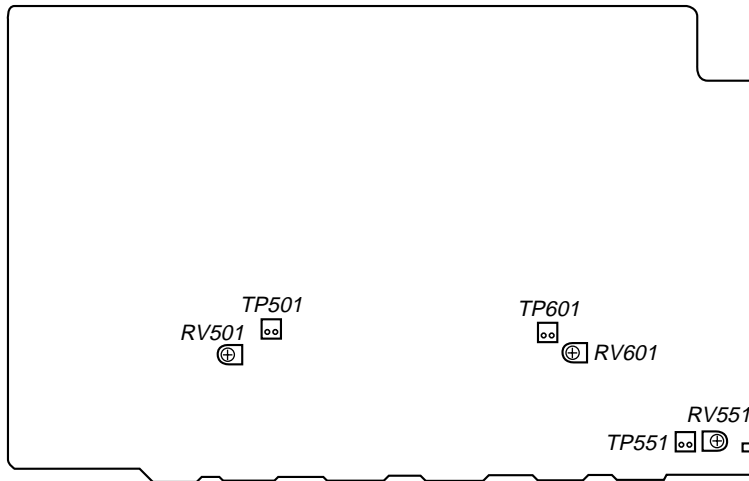
[Measuring Instrument] Digital voltmeter

[Adjustment Method] Adjust the respective adjustment elements so that the voltage (absolute value) across the corresponding testpoints satisfies the specification.

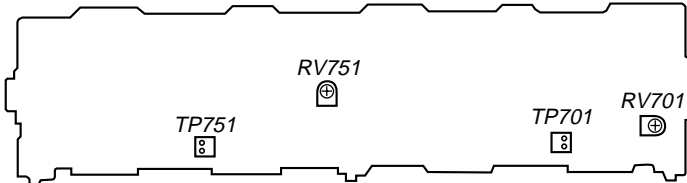
Channel	Test point	Adjustment element	Specification
FRONT L	TP501	RV501	6mV
FRONT R	TP551	RV551	
CENTER	TP601	RV601	
REAR L	TP701	RV701	
REAR R	TP751	RV751	

[Location of Adjustment Elements]

MAIN BOARD

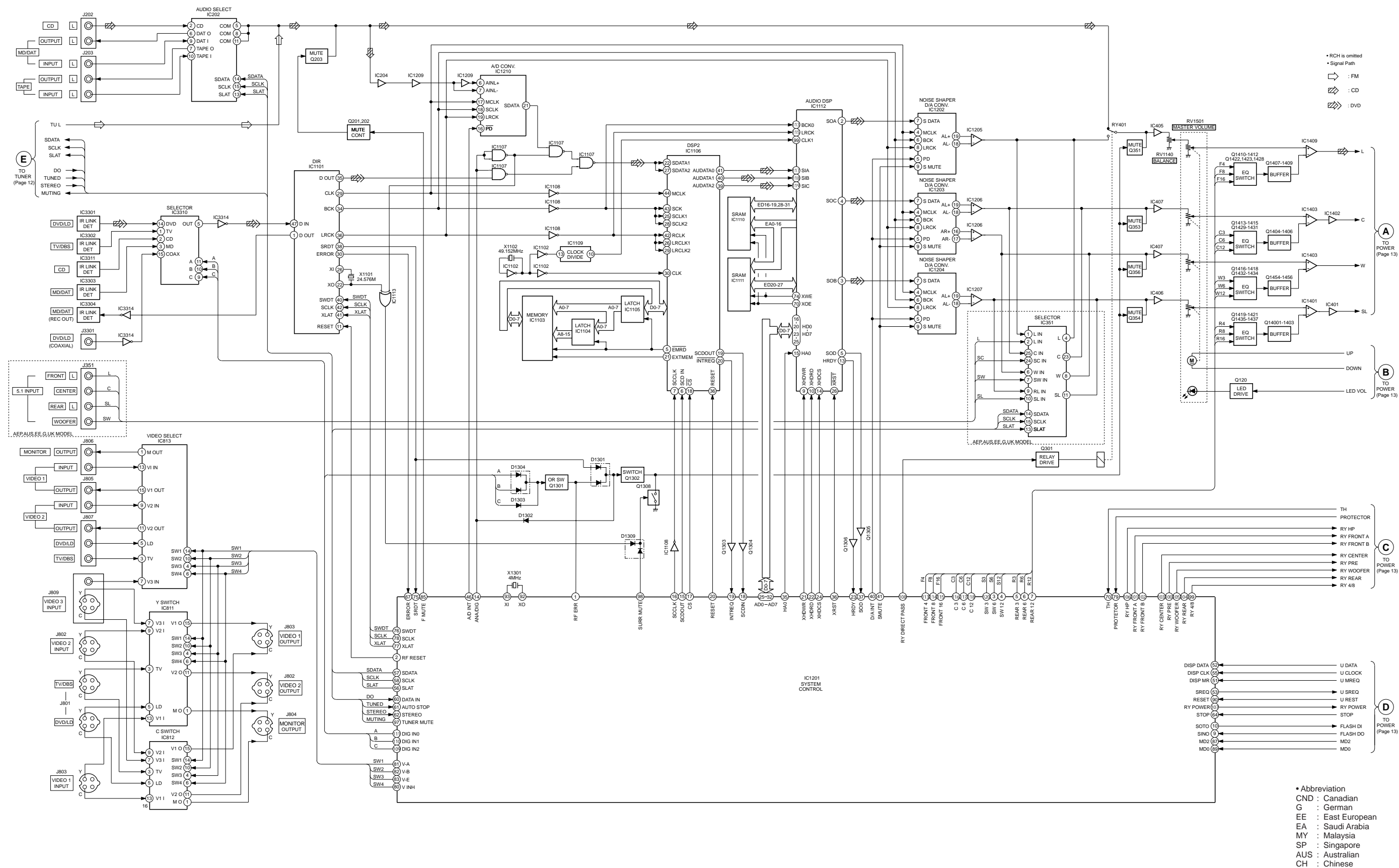


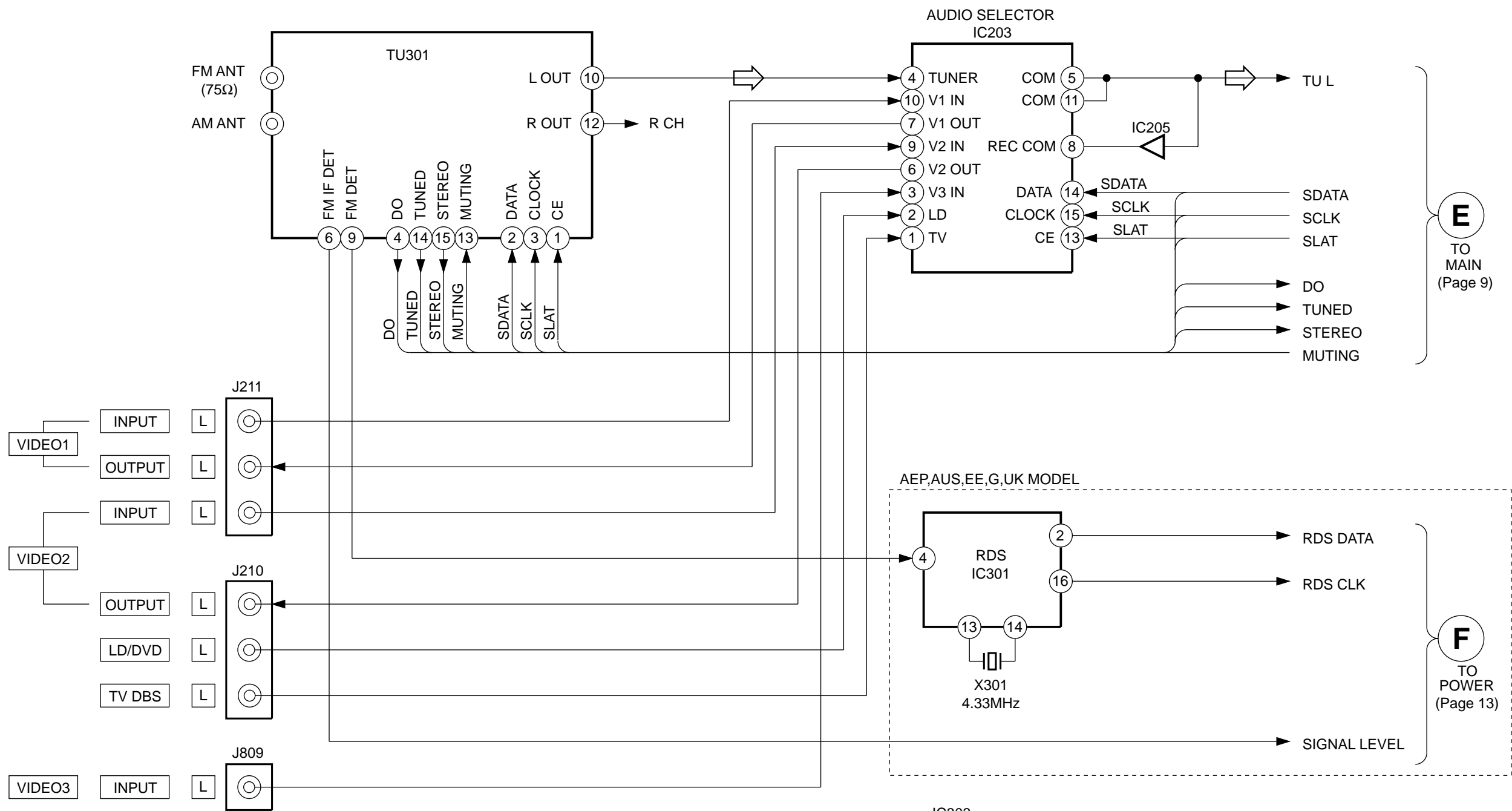
S. AMP BOARD



SECTION 4
DIAGRAMS

4-1. BLOCK DIAGRAM – MAIN SECTION –





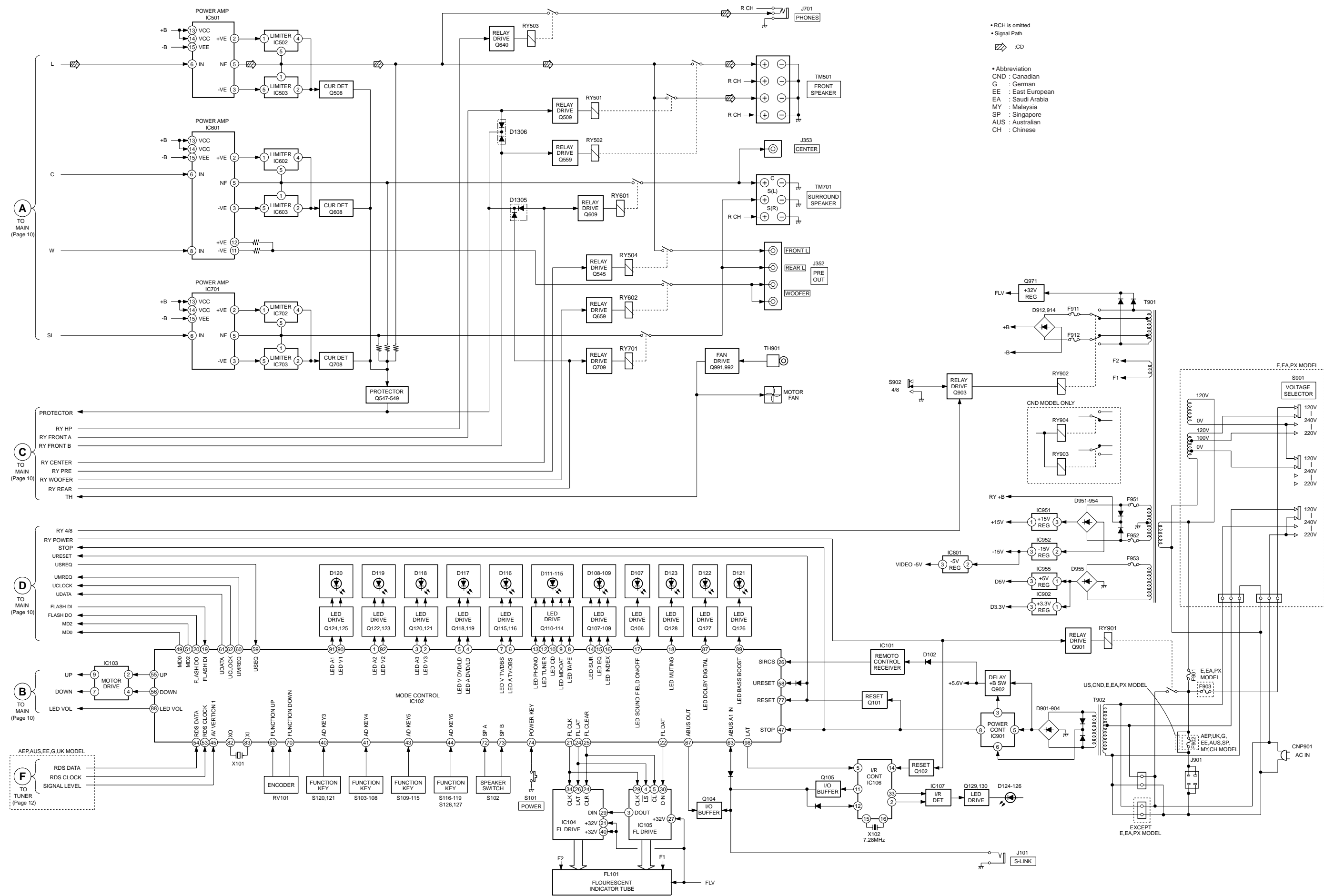
E
TO MAIN
(Page 9)

F
TO POWER
(Page 13)

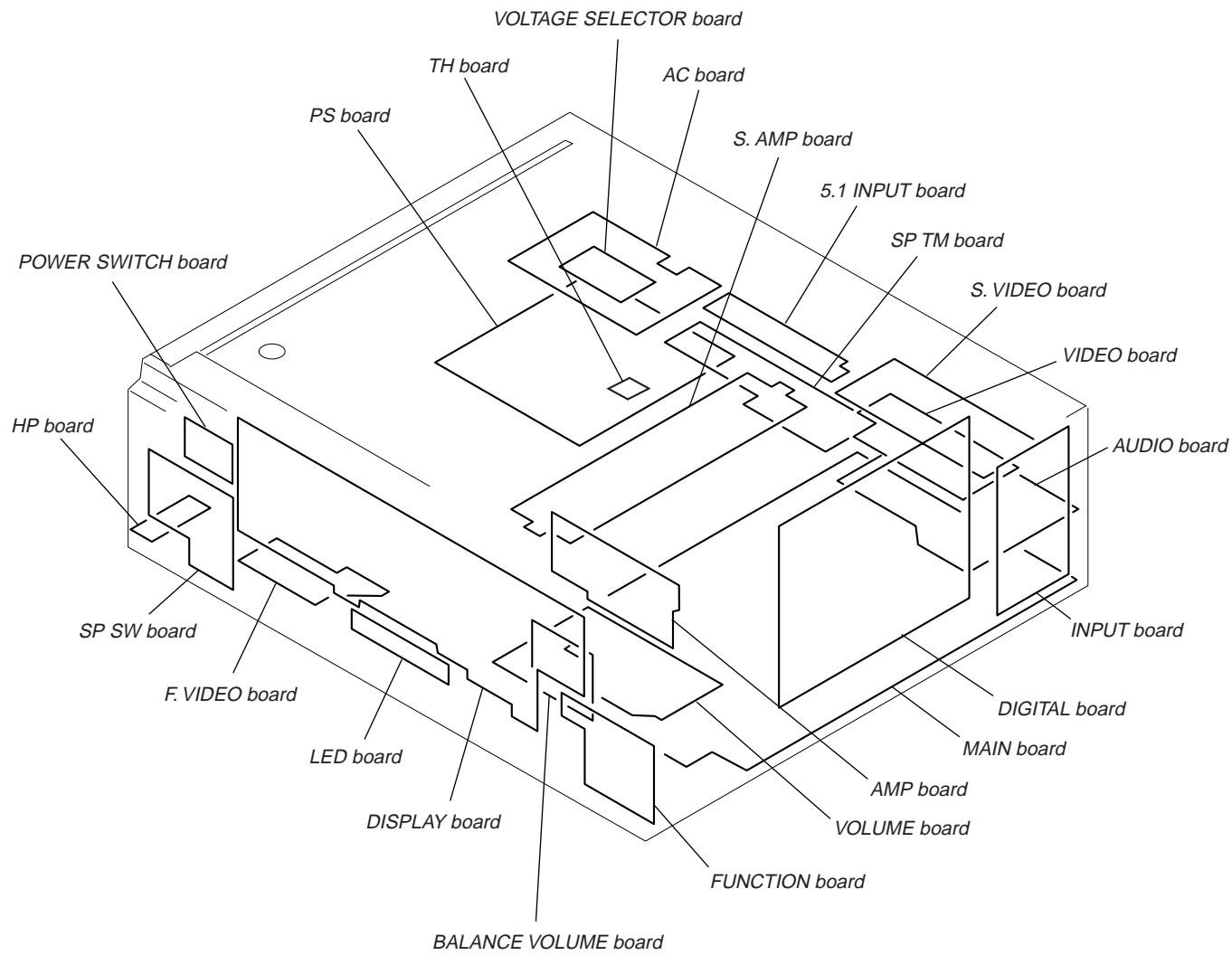
• RCH is omitted
• Signal Path
➡ : FM

• Abbreviation
CND : Canadian
G : German
EE : East European
EA : Saudi Arabia
MY : Malaysia
SP : Singapore
AUS : Australian
CH : Chinese

4-3. BLOCK DIAGRAM – POWER SECTION –



4-4. CIRCUIT BOARDS LOCATION



THIS NOTE IS COMMON FOR PRINTED WIRING BOARDS AND SCHEMATIC DIAGRAMS.
(In addition to this necessary note is printed in each block.)

For schematic diagrams.

Note:

- All capacitors are in μF unless otherwise noted. pF : $\mu\mu\text{F}$ 50 WV or less are not indicated except for electrolytics and tantalums.
- All resistors are in Ω and $1/4\text{W}$ or less unless otherwise specified.
- % : indicates tolerance.
- : nonflammable resistor.
- : fusible resistor.
- : panel designation.

Note:

The components identified by mark Δ or dotted line with mark Δ are critical for safety. Replace only with part number specified.

Note:

Les composants identifiés par une marque Δ sont critiques pour la sécurité. Ne les remplacer que par une pièce portant le numéro spécifié.

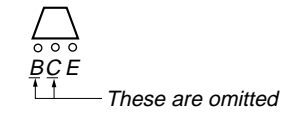
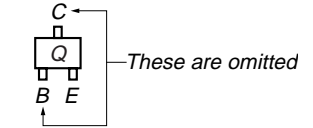
以阴影和 Δ 标志来识别的零部件，在安全方面具有关键性。因此只能以规定号码的零部件来更换。

- : B+ Line.
- : B- Line.
- : adjustment for repair.
- Voltages and waveforms are dc with respect to ground under no-signal (detuned) conditions. No mark : FM
- Voltages are taken with a VOM (Input impedance 10 M Ω). Voltage variations may be noted due to normal production tolerances.
- Waveforms are taken with a oscilloscope.
- Circled numbers refer to waveforms.
- Signal path.
 - : FM
 - : CD
 - : DIGITAL
 - : PHONO
- Abbreviation
 - CND :Canadian
 - EA :Saudi Arabia
 - MY :Malaysia
 - SP :Singapore
 - G :German
 - EE :East European
 - AUS :Australian
 - CH :Chinese

For printed wiring boards.

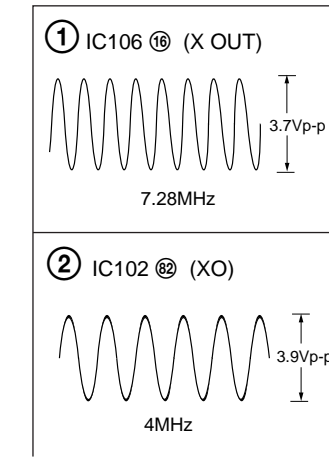
Note:

- : parts extracted from the component side.
- : Through hole.
- : Pattern from the side which enables seeing.

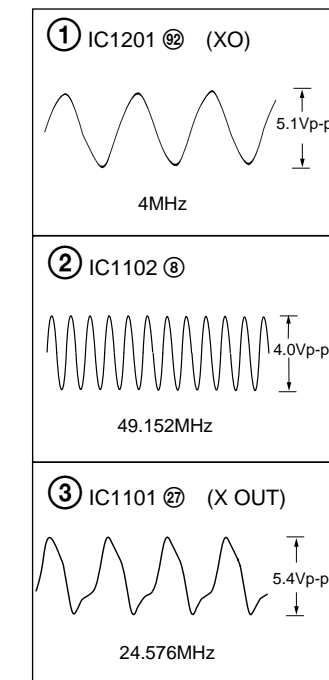


• Waveform

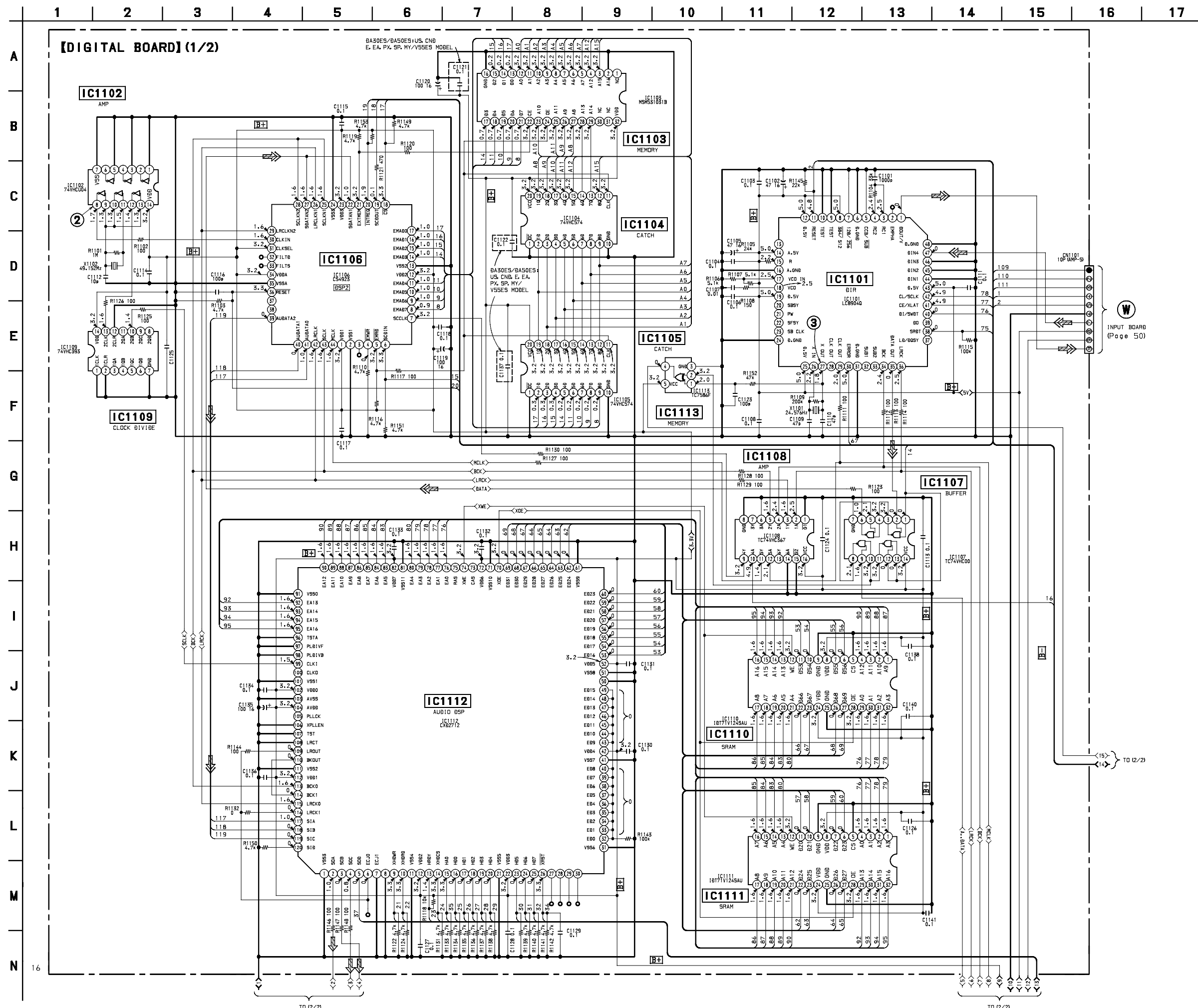
• DISPLAY SECTION



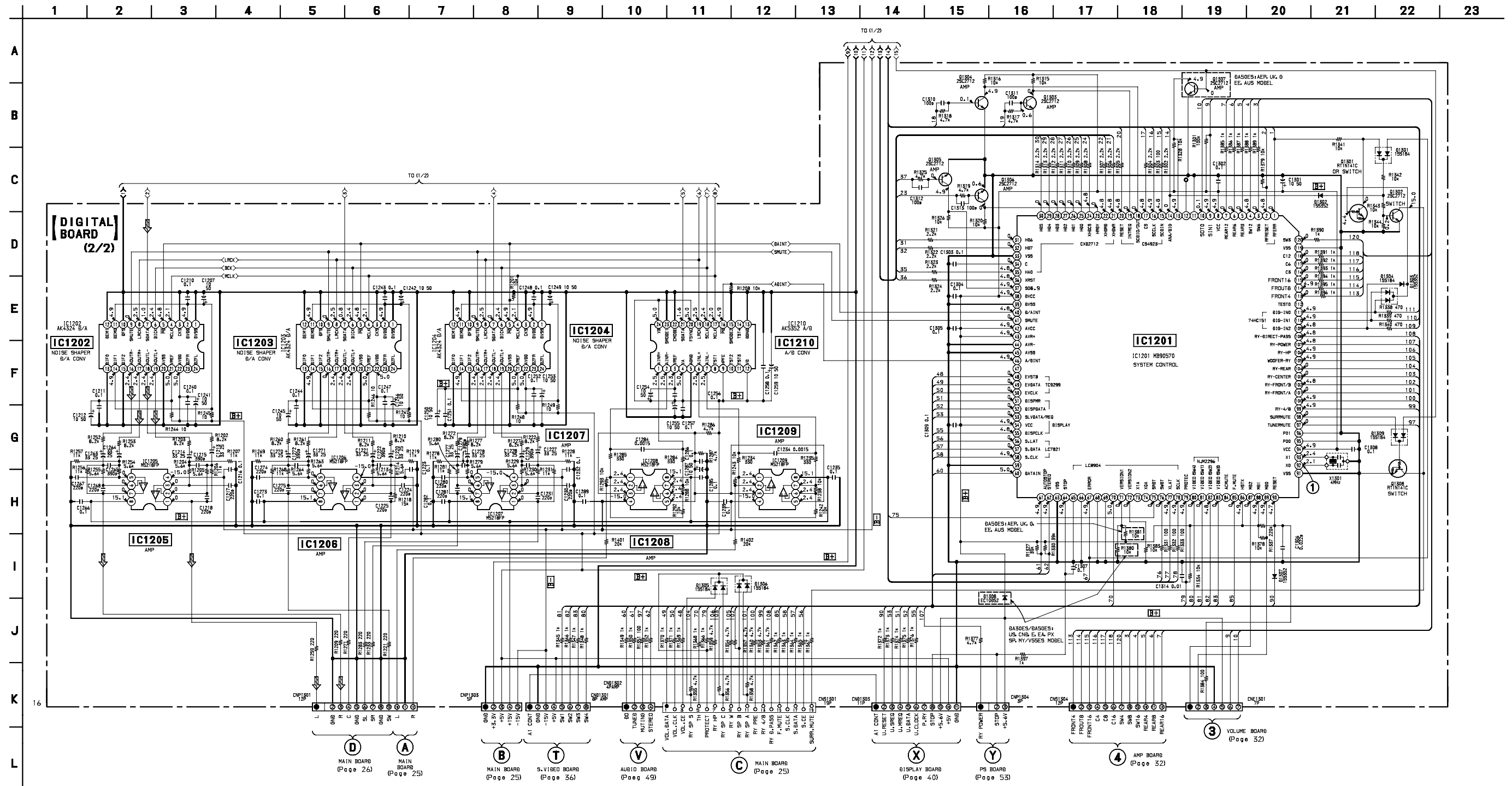
• DIGITAL SECTION



4-5. SCHEMATIC DIAGRAM — DIGITAL SECTION (1/2) — • See page 21 for printed wiring board. • See page 66, 67 for IC Pin Functions. • See page 16 for Waveforms. • See page 57 for IC Block Diagrams.



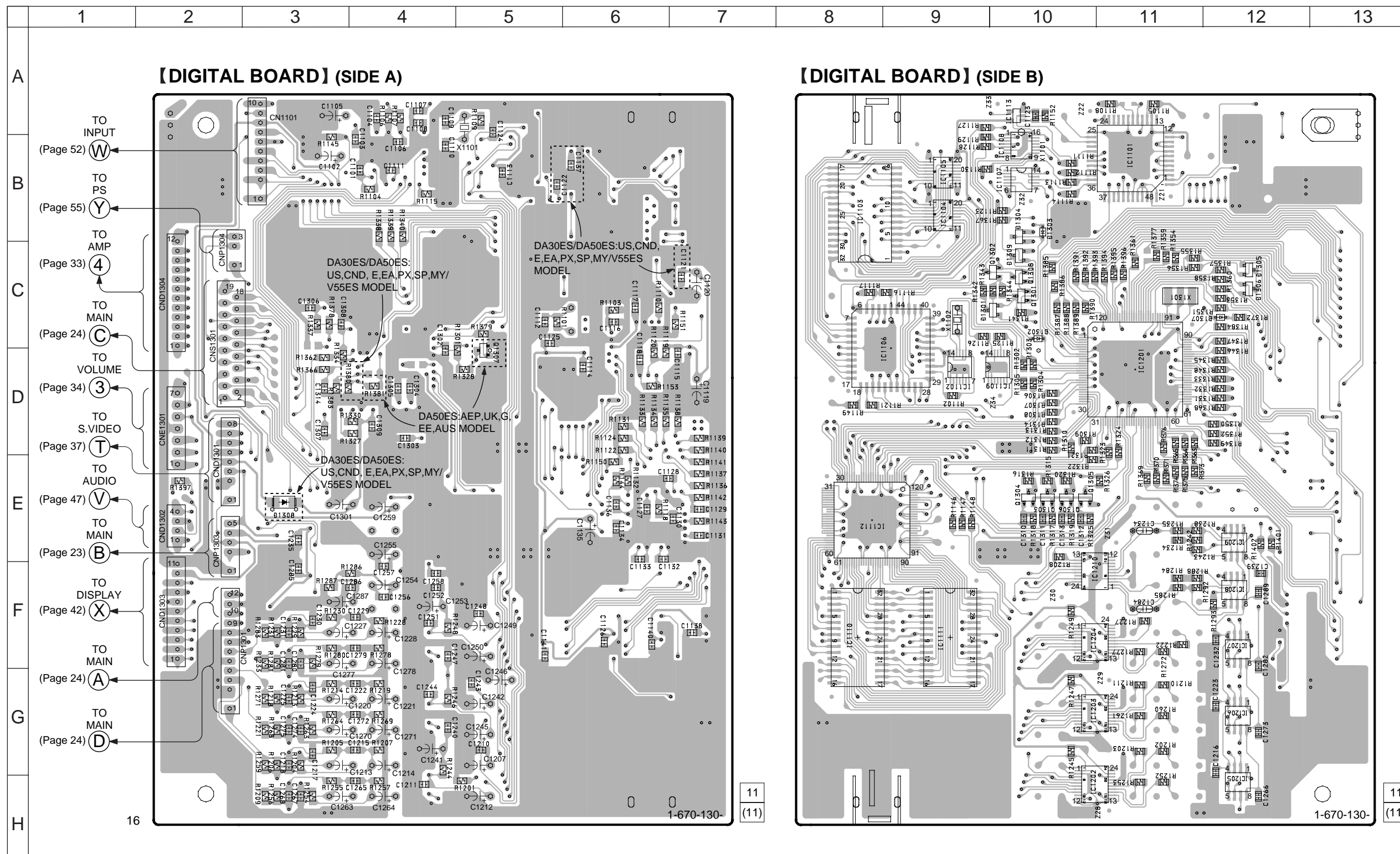
W INPUT BOARD (Page 50)



4-7. PRINTED WIRING BOARD — DIGITAL SECTION — • See page 15 for Circuit Boards Location.

• Semiconductor Location

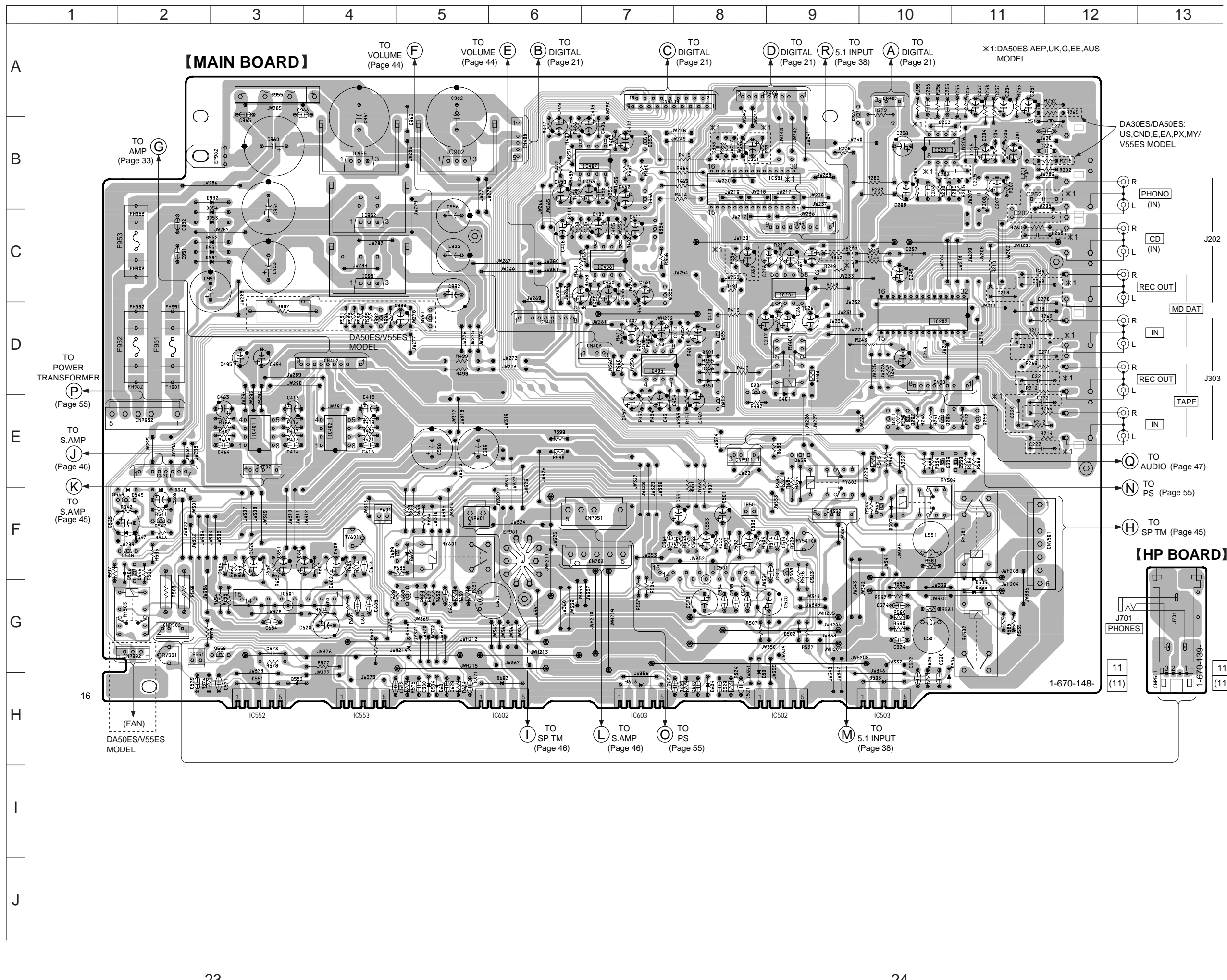
Ref. No.	Location
D1301	C-10
D1302	C-10
D1303	B-10
D1304	B-10
D1305	C-12
D1306	C-12
D1307	C-12
D1308	E-3
D1309	C-10
IC1101	B-11
IC1102	D-9
IC1103	B-8
IC1104	B-9
IC1105	B-9
IC1106	C-8
IC1107	B-10
IC1108	B-10
IC1109	D-10
IC1110	F-8
IC1111	F-9
IC1112	E-8
IC1113	A-10
IC1201	C-11
IC1202	H-10
IC1203	G-10
IC1204	F-10
IC1205	H-12
IC1206	G-12
IC1207	F-12
IC1208	F-12
IC1209	E-12
IC1210	F-10
Q1301	C-10
Q1302	C-10
Q1303	E-10
Q1304	E-10
Q1305	E-10
Q1306	E-10
Q1307	C-5
Q1308	C-10



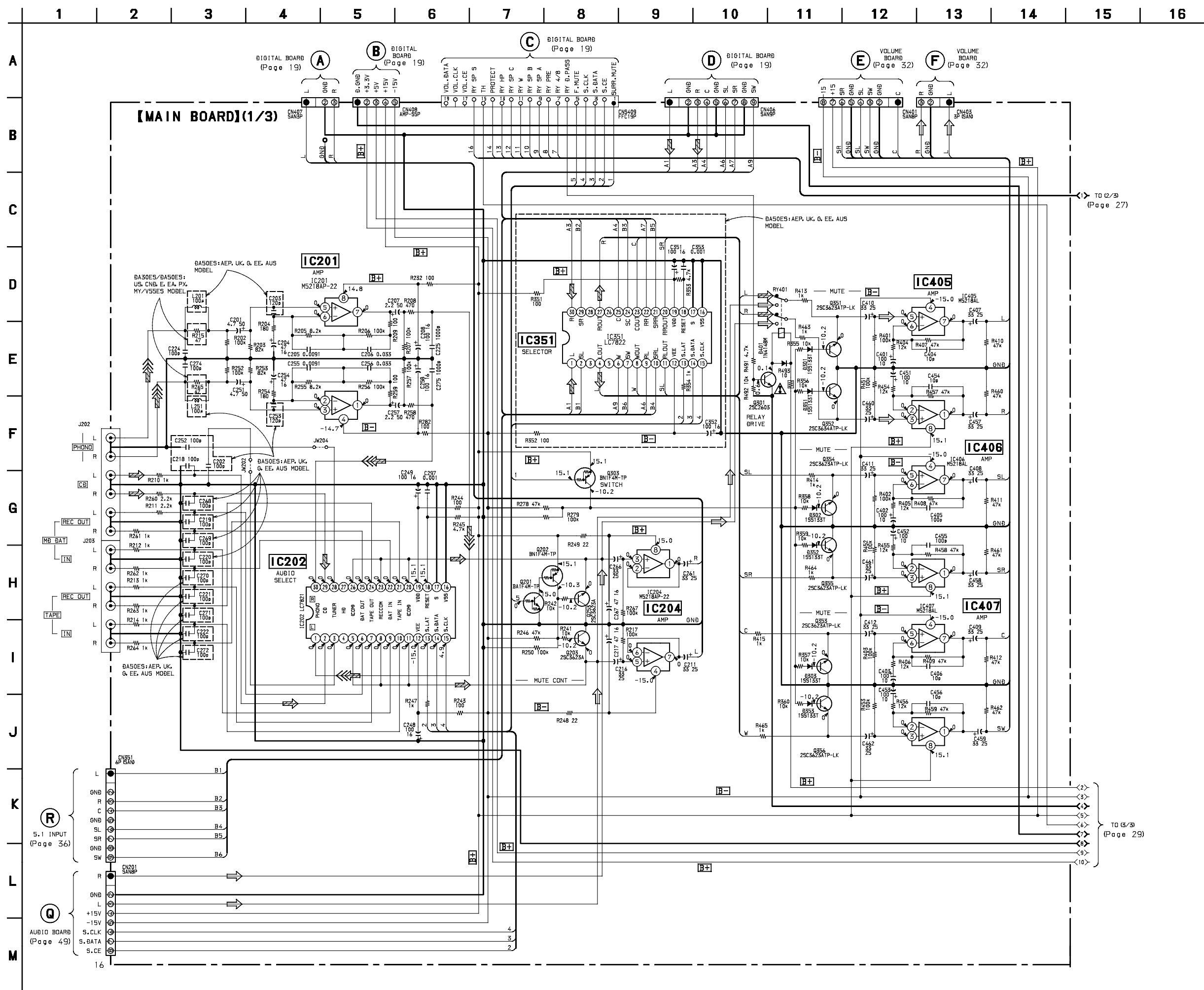
4-8. PRINTED WIRING BOARD — MAIN SECTION — • See page 15 for Circuit Boards Location.

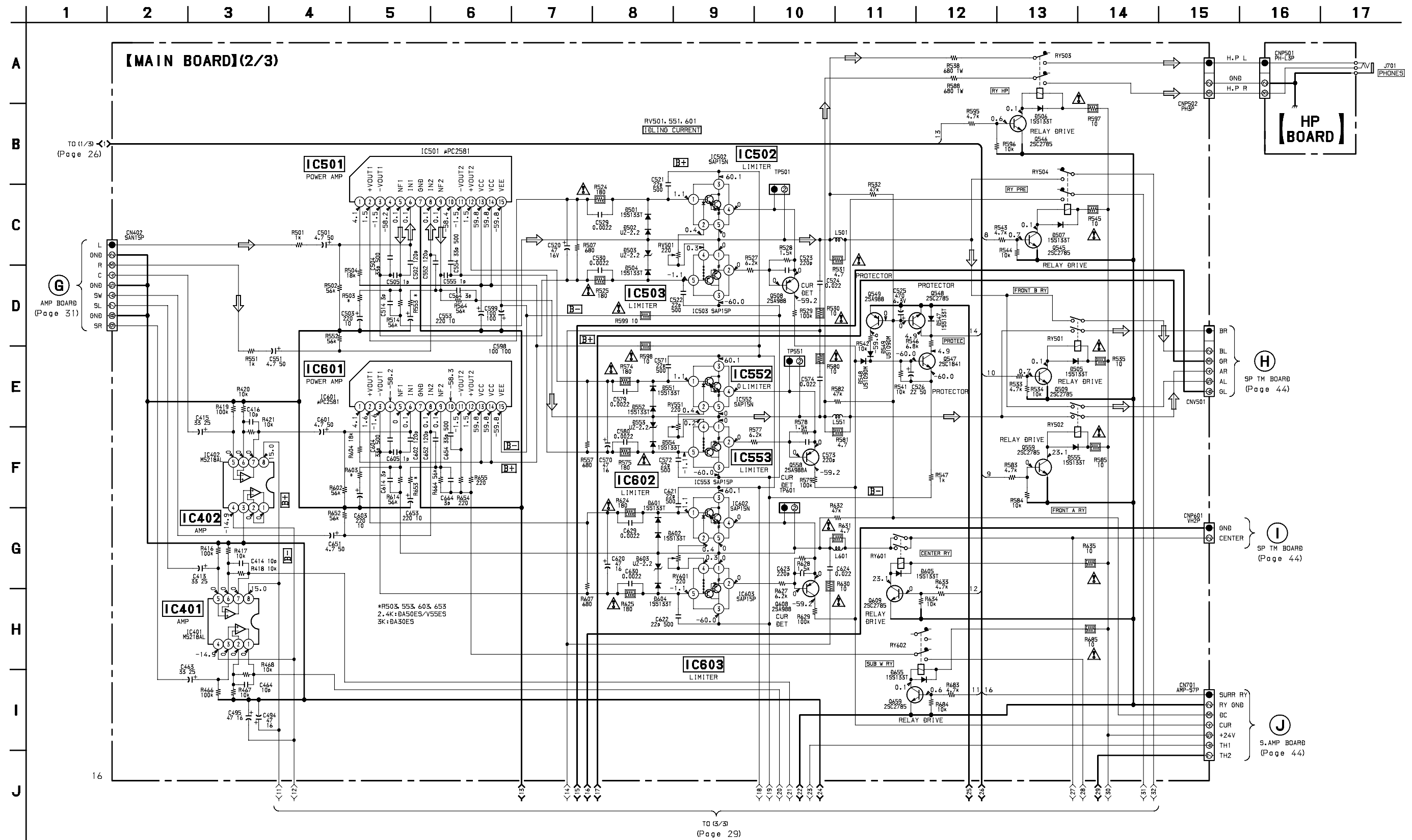
• Semiconductor Location

Ref. No.	Location
D301	D-8
D351	D-8
D401	E-9
D501	G-9
D502	G-9
D503	H-10
D504	G-11
D505	F-11
D506	F-2
D507	F-10
D547	F-2
D548	F-2
D549	F-2
D551	H-3
D552	H-3
D553	G-5
D554	H-5
D555	F-11
D601	H-5
D602	H-6
D603	H-6
D604	H-8
D605	F-5
D655	E-9
D951	C-3
D952	C-3
D953	C-3
D954	C-3
D955	A-3
D991	C-3
D992	B-3
IC201	B-10
IC202	D-10
IC204	C-9
IC351	B-8
IC401	E-3
IC402	E-4
IC405	D-7
IC406	C-7
IC407	B-7
IC501	F-8
IC502	H-9
IC503	H-10
IC552	H-3
IC553	H-4
IC601	G-3
IC602	H-6
IC603	H-7
IC902	B-5
IC951	C-4
IC952	C-4
IC955	B-4
Q201	E-10
Q202	E-10
Q203	E-10
Q253	E-11
Q301	D-8
Q303	A-10
Q351	D-8
Q352	E-8
Q353	B-7
Q354	C-7
Q355	C-7
Q356	B-7
Q508	F-9
Q509	E-10
Q545	F-10
Q546	F-2
Q547	F-2
Q548	F-2
Q549	F-2
Q558	G-3
Q559	E-121
Q608	G-5
Q609	F-5
Q659	E-9
Q991	D-5
Q992	D-4



4-9. SCHEMATIC DIAGRAM — MAIN SECTION (1/3) — • See page 59 for IC Block Diagrams.

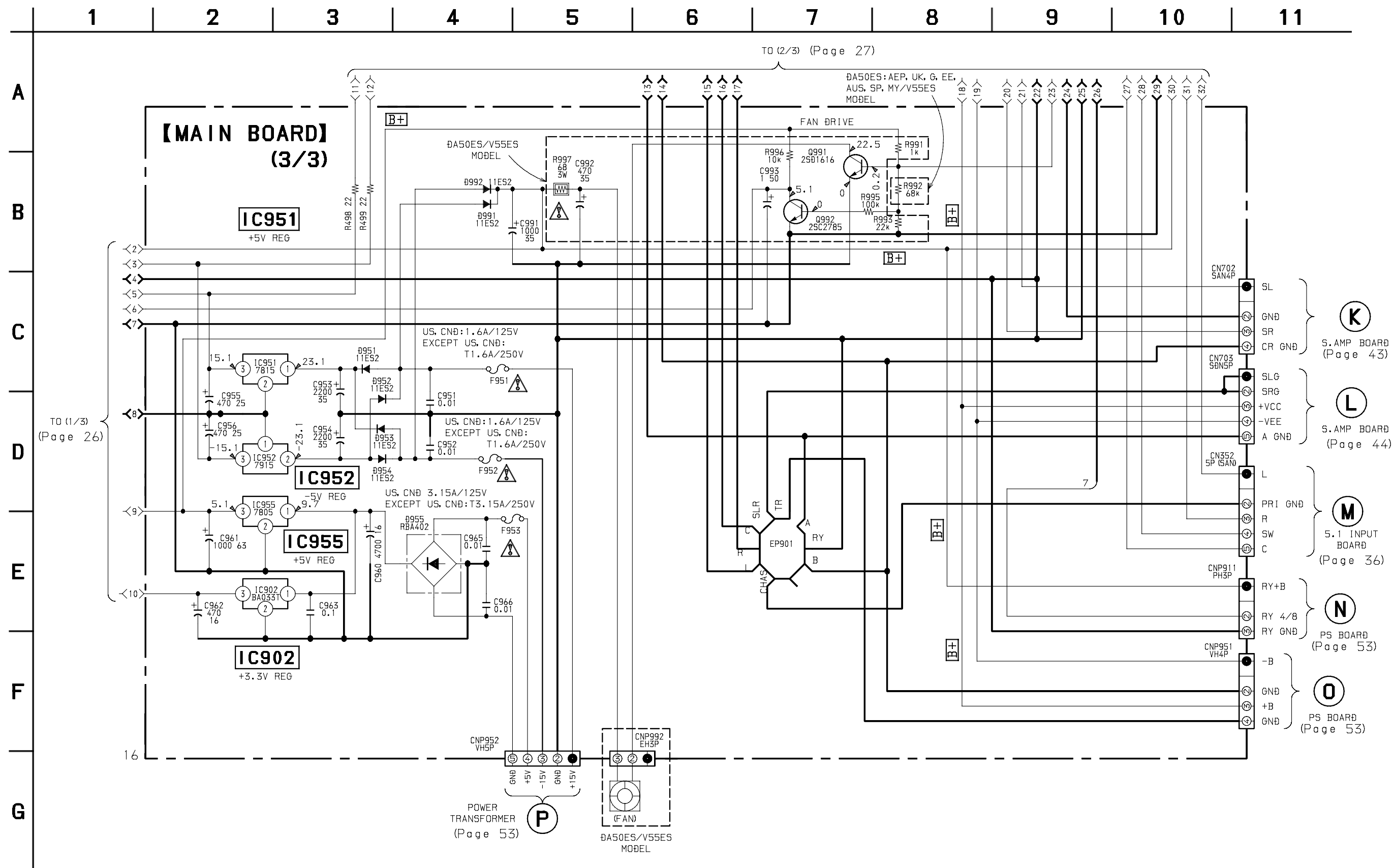




TO (3/3)
(Page 29)

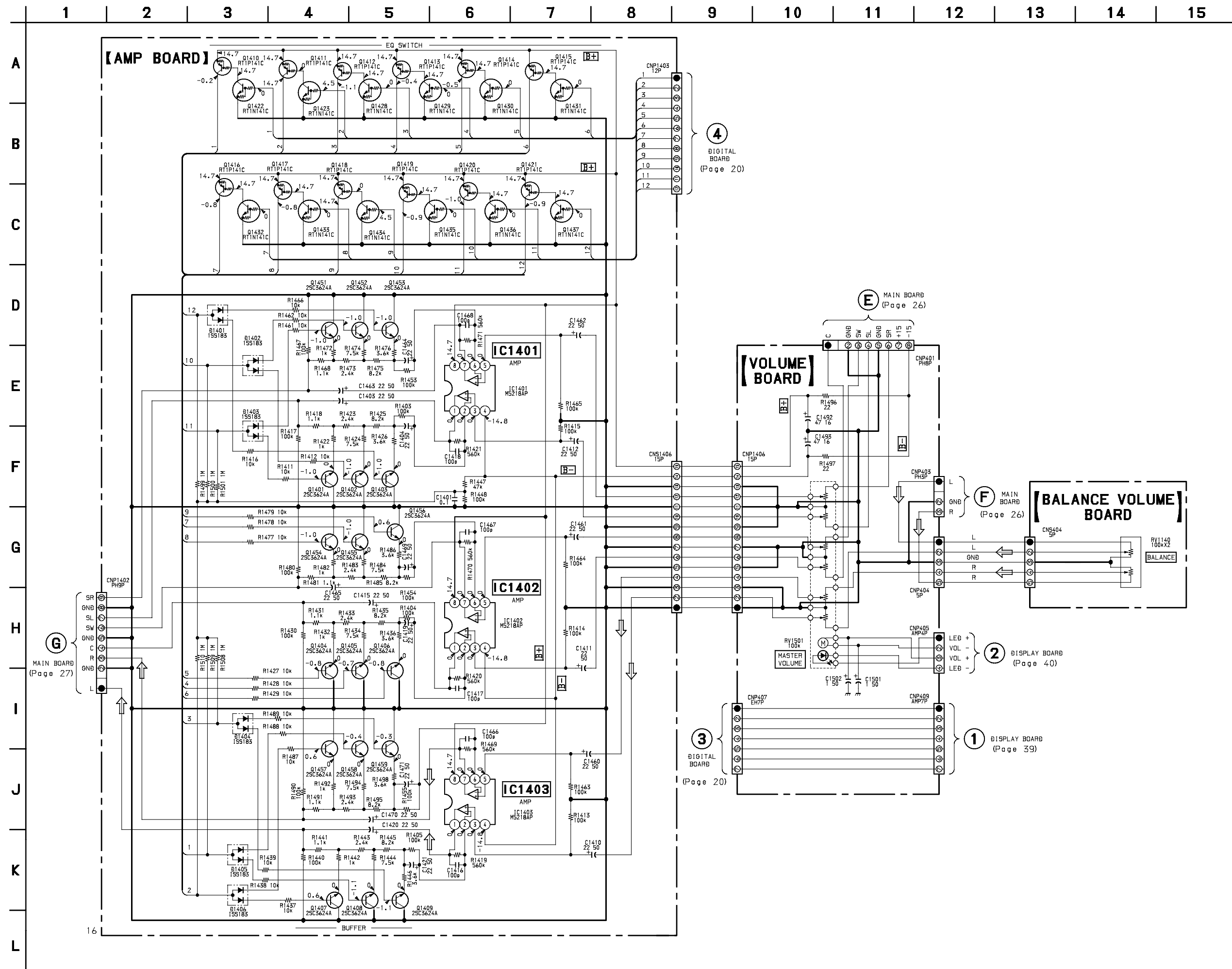
<p>以阴影和 Δ 标志来识别的零部件，在安全方面具有关键性，因此只能以规定号码的零部件来更换。</p>	<p>Note: The components identified by mark Δ or dotted line with mark Δ are critical for safety. Replace only with part number specified.</p>	<p>Note: Les composants identifiés par une marque Δ sont critiques pour la sécurité. Ne les remplacer que par une pièce portant le numéro spécifié.</p>
--	--	--

4-11. SCHEMATIC DIAGRAM — MAIN SECTION (3/3) — • See page 23 for Printed Wiring Board.



<p>以阴影和 \triangle 标志来识别的零部件，在安全方面具有关键性。因此只能以规定号码的零部件来更换。</p>	<p>Note: The components identified by mark \triangle or dotted line with mark \triangle are critical for safety. Replace only with part number specified.</p>	<p>Note: Les composants identifiés par une marque \triangle sont critiques pour la sécurité. Ne les remplacer que par une pièce portant le numéro spécifié.</p>
---	--	---

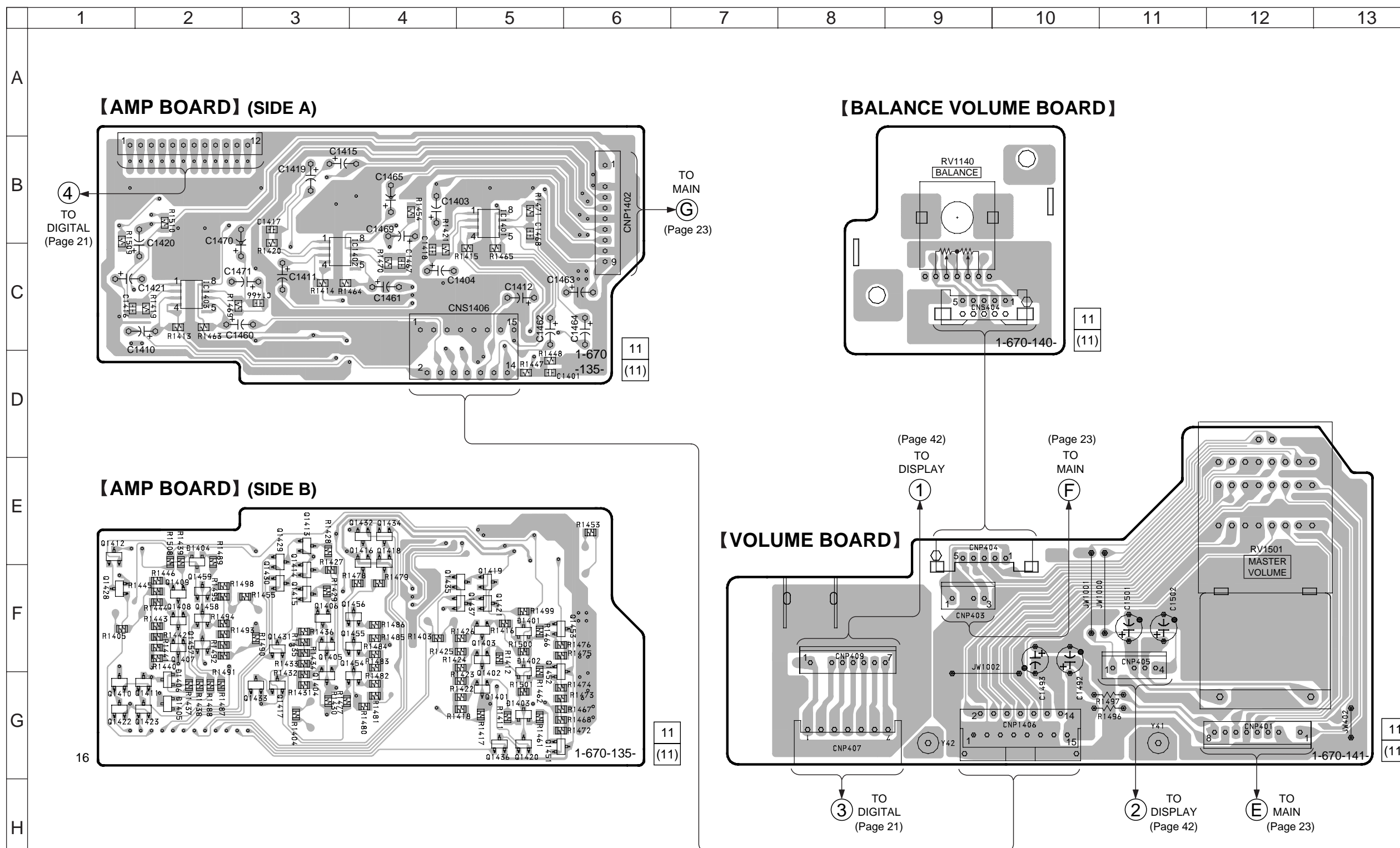
4-12. SCHEMATIC DIAGRAM — AMP SECTION —

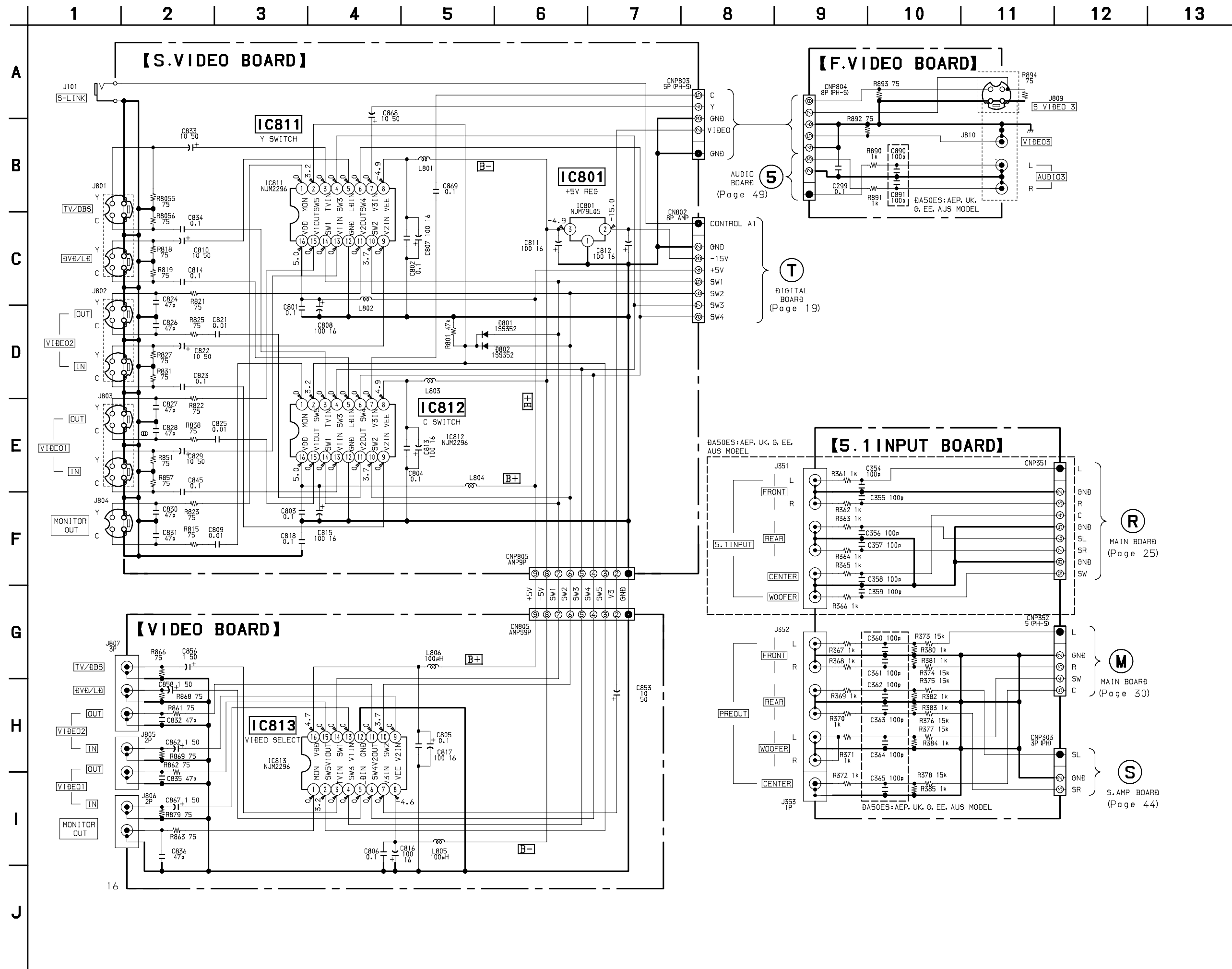


4-13. PRINTED WIRING BOARD — AMP SECTION — • See page 15 for Circuit Boards Location.

• Semiconductor Location

Ref. No.	Location
D1401	F-5
D1402	G-5
D1403	G-5
D1404	F-2
D1405	G-2
D1406	G-2
IC1401	B-5
IC1402	C-3
IC1403	C-2
Q1401	G-5
Q1402	F-5
Q1403	F-5
Q1404	G-3
Q1405	F-3
Q1406	F-3
Q1407	F-2
Q1408	F-2
Q1409	F-2
Q1410	G-1
Q1411	G-2
Q1412	E-1
Q1413	E-3
Q1414	F-3
Q1415	F-3
Q1416	E-4
Q1417	G-3
Q1418	E-4
Q1419	F-5
Q1420	G-5
Q1421	F-5
Q1422	G-1
Q1423	G-2
Q1428	F-1
Q1429	E-3
Q1430	F-3
Q1431	F-3
Q1432	E-4
Q1433	G-3
Q1434	E-4
Q1435	F-5
Q1436	G-5
Q1437	F-5
Q1451	G-5
Q1452	F-5
Q1453	F-6
Q1454	G-4
Q1455	F-4
Q1456	F-4
Q1457	F-2
Q1458	F-2
Q1459	F-2

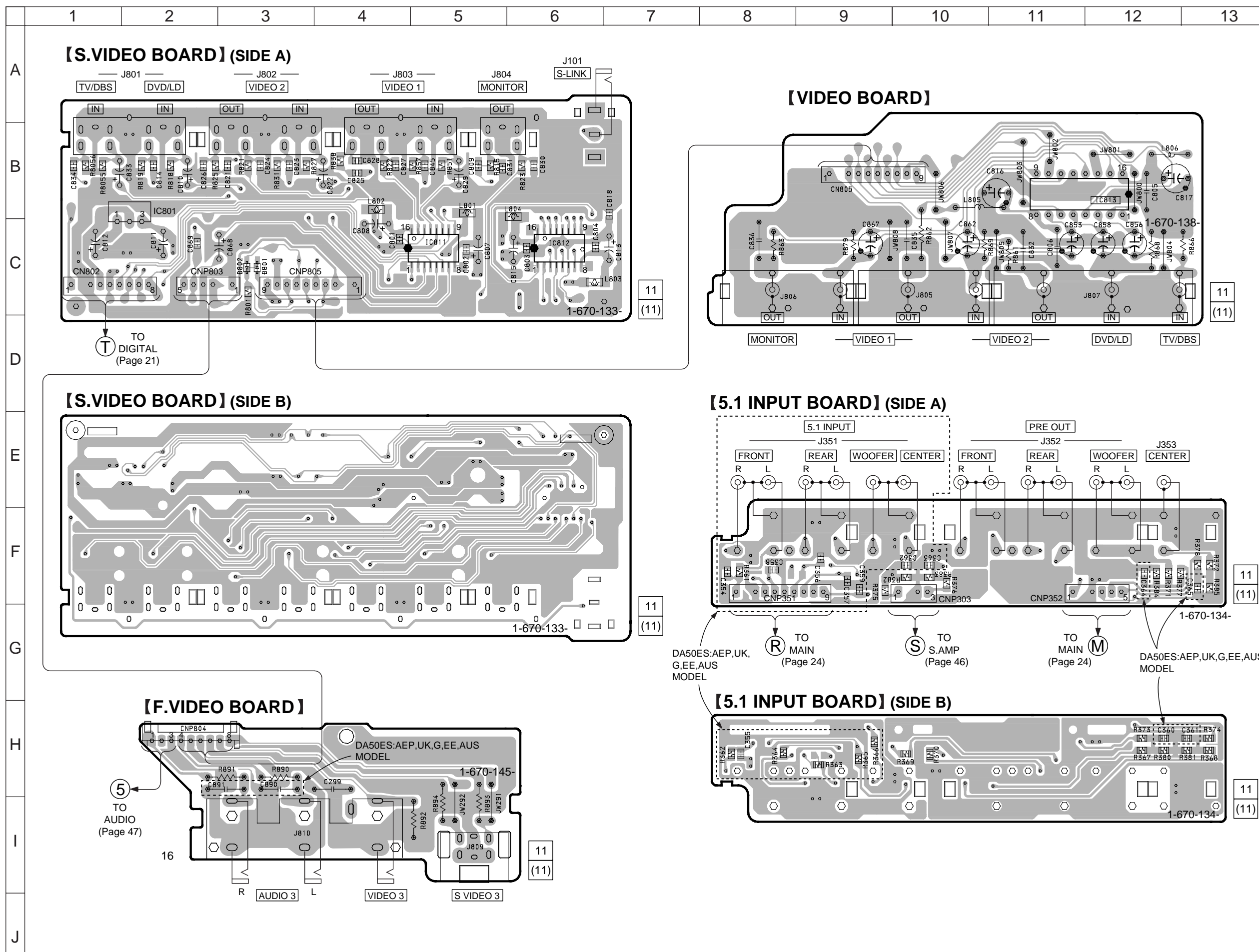




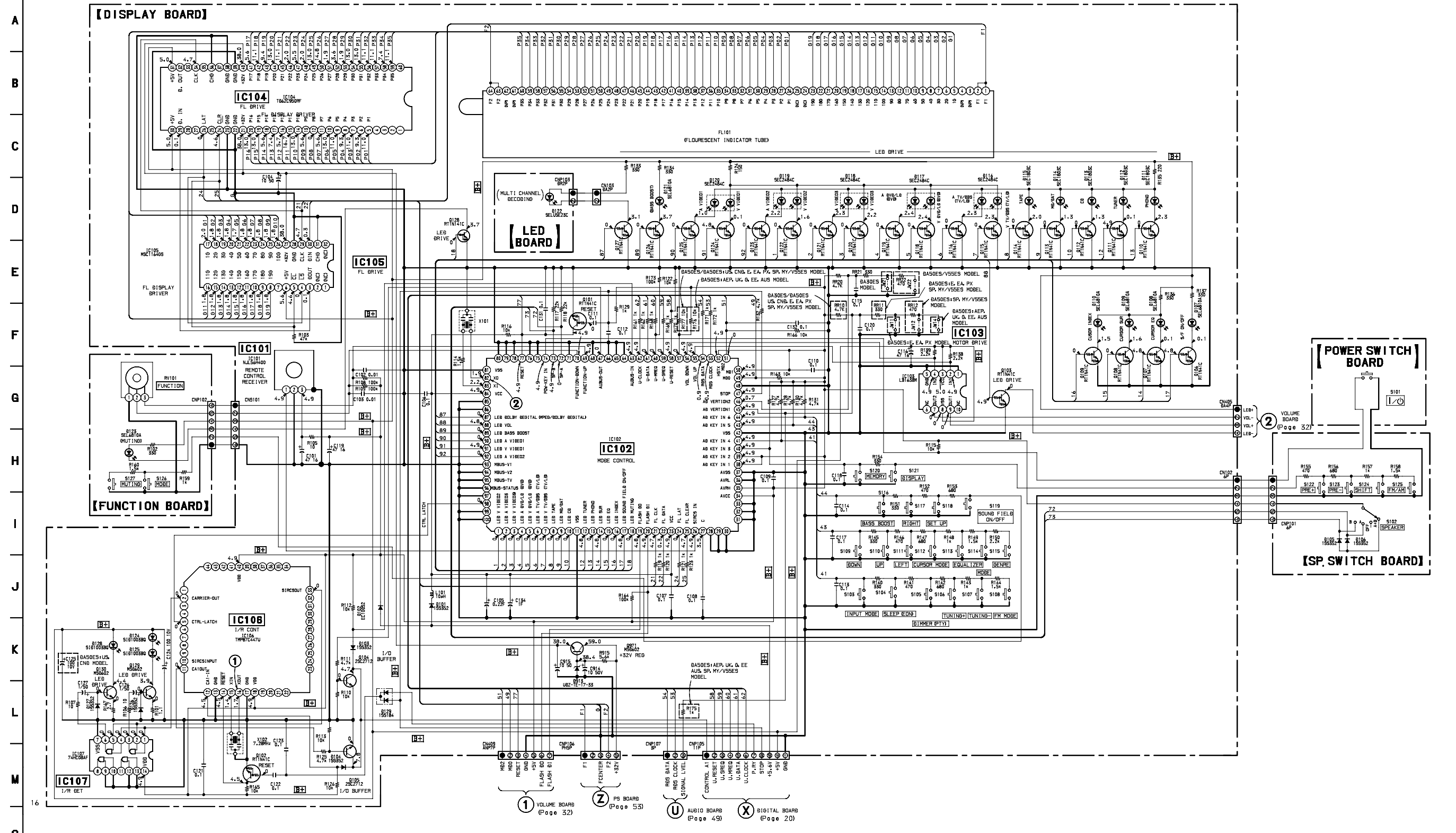
4-15. PRINTED WIRING BOARD — VIDEO SECTION — • See page 15 for Circuit Boards Location.

• Semiconductor Location

Ref. No.	Location
D801	C-3
D802	C-3
IC801	B-2
IC811	C-5
IC812	C-6
IC813	B-12



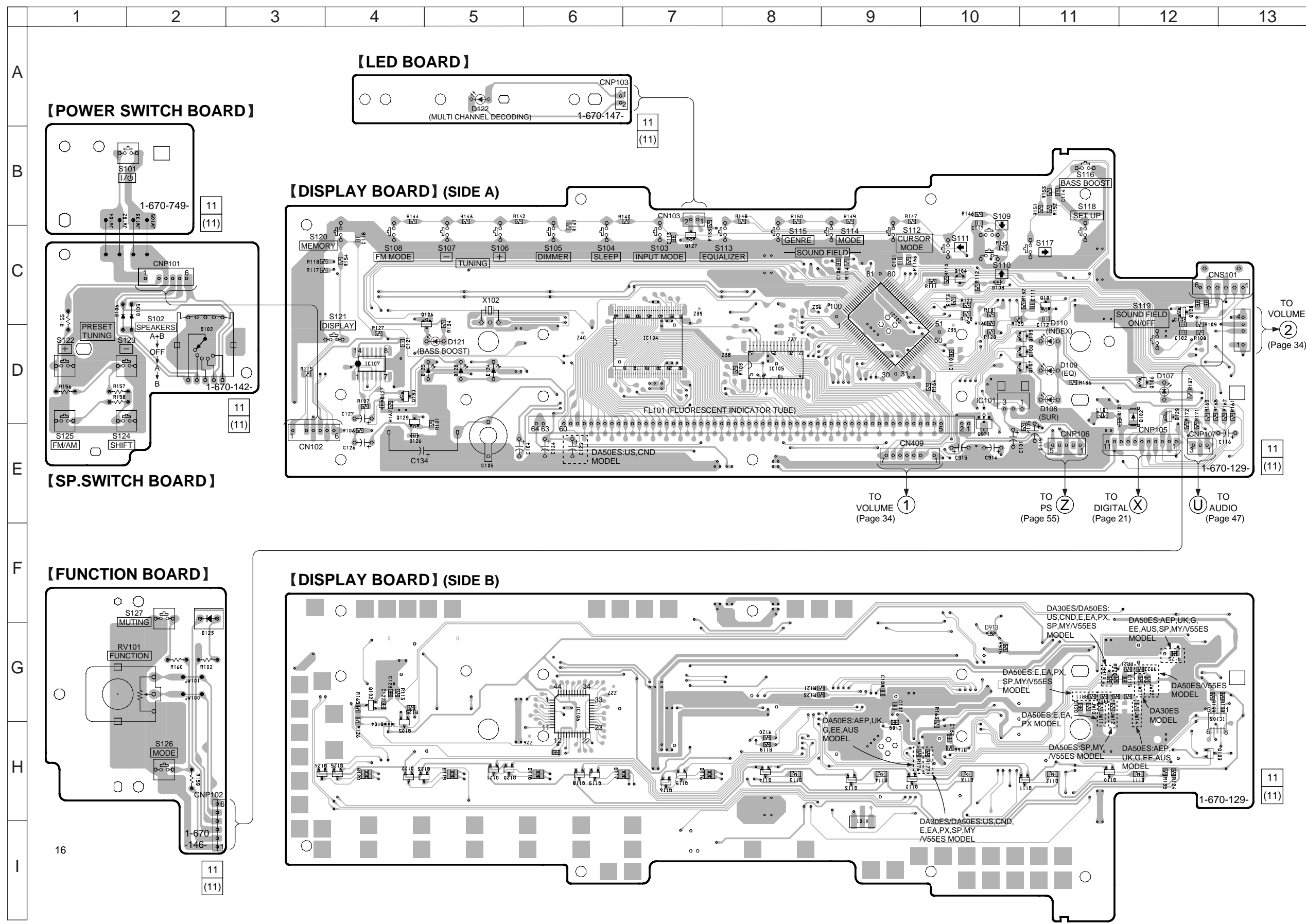
1 2 3 4 5 6 7 8 9 10 11 12 13 14 15 16 17 18 19 20 21 22 23

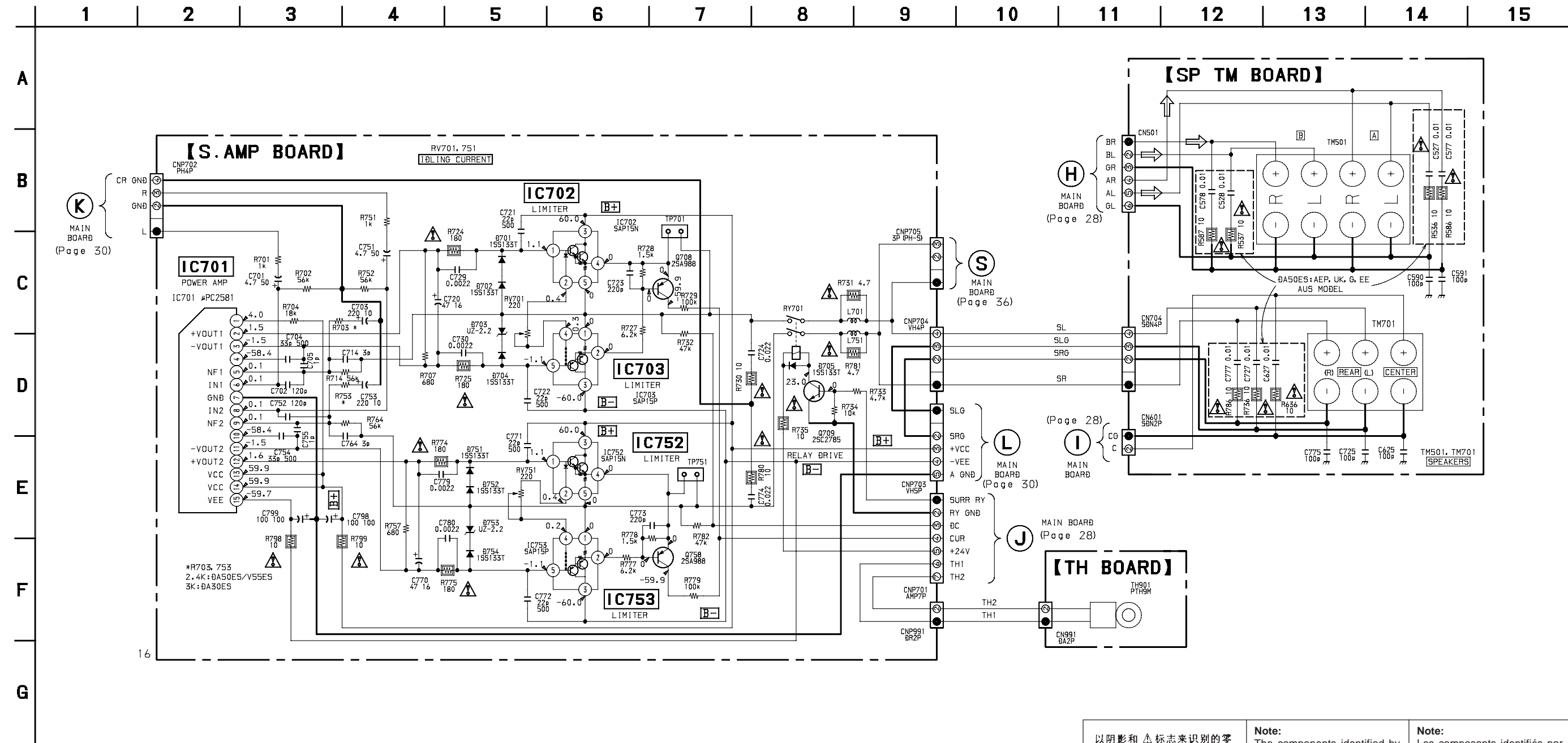


4-17. PRINTED WIRING BOARD — DISPLAY SECTION — • See page 15 for Circuit Boards Location.

• Semiconductor Location

Ref. No.	Location
D101	D-11
D102	D-12
D103	C-11
D104	H-4
D105	C-2
D106	C-1
D107	D-12
D108	D-11
D109	D-11
D110	D-11
D111	H-12
D112	H-11
D113	H-10
D114	H-9
D115	H-8
D116	H-8
D117	H-7
D118	H-6
D119	H-5
D120	H-4
D121	D-5
D122	A-5
D123	F-2
D124	D-5
D125	D-5
D126	E-4
D127	D-4
D128	D-5
D129	D-12
D913	G-10
IC101	D-10
IC102	D-9
IC103	G-13
IC104	D-7
IC105	D-8
IC106	G-6
IC107	D-4
Q101	C-11
Q102	G-4
Q103	H-12
Q104	C-10
Q105	H-4
Q106	D-12
Q107	D-11
Q108	D-11
Q109	D-11
Q110	H-11
Q111	H-10
Q112	H-9
Q113	H-8
Q114	H-8
Q115	H-7
Q116	H-7
Q118	H-6
Q119	H-6
Q120	H-5
Q121	H-5
Q122	H-4
Q123	H-4
Q124	H-4
Q125	H-4
Q126	C-4
Q127	C-7
Q128	C-12
Q129	D-4
Q130	D-4
Q971	D-10



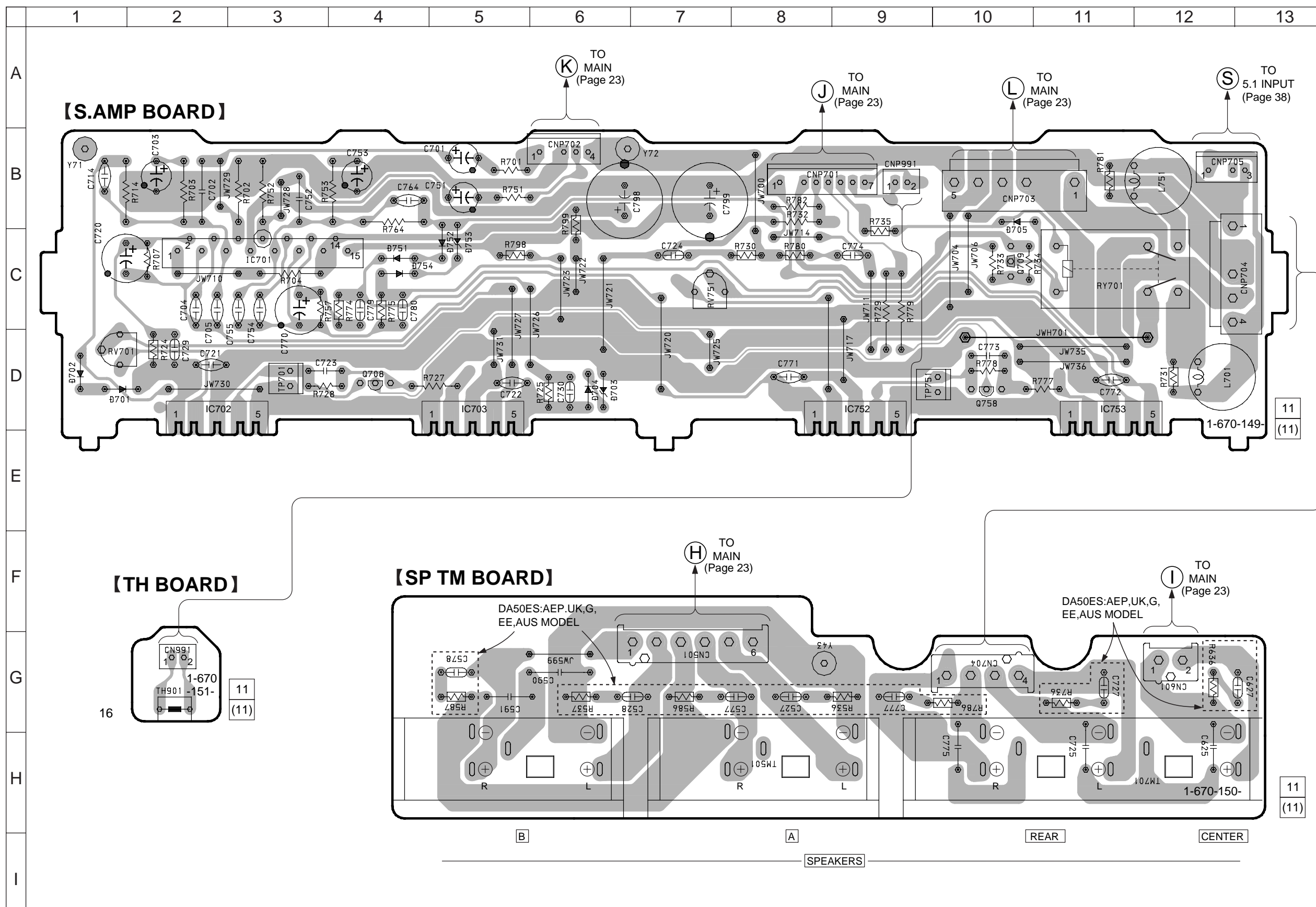


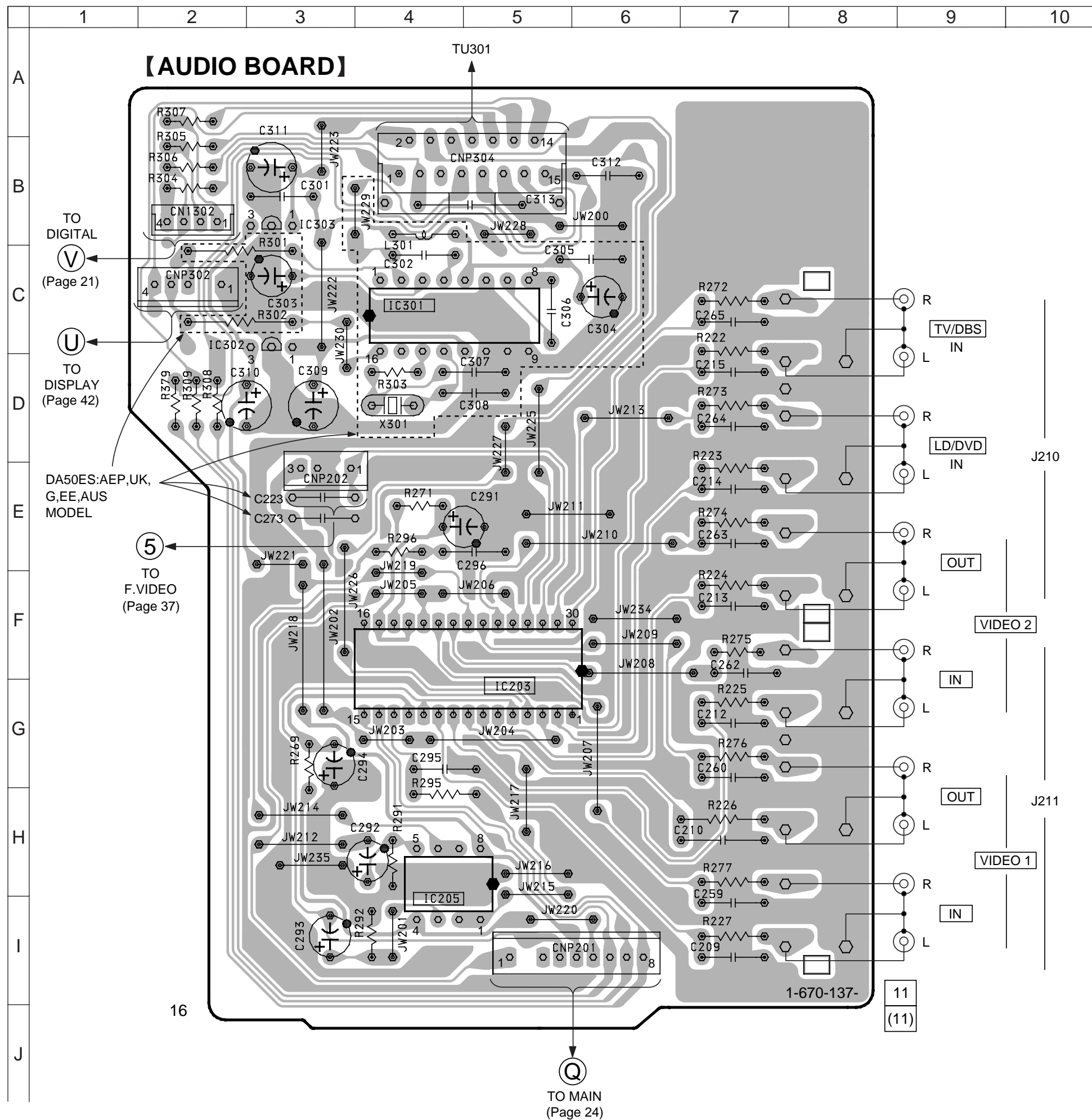
<p>以阴影和 Δ 标志来识别的零部件，在安全方面具有关键性。因此只能以规定号码的零部件来更换。</p>	<p>Note: The components identified by mark Δ or dotted line with mark Δ are critical for safety. Replace only with part number specified.</p>	<p>Note: Les composants identifiés par une marque Δ sont critiques pour la sécurité. Ne les remplacer que par une pièce portant le numéro spécifié.</p>
--	--	--

4-19. PRINTED WIRING BOARD — SPEAKER SECTION — • See page 15 for Circuit Boards Location.

• Semiconductor Location

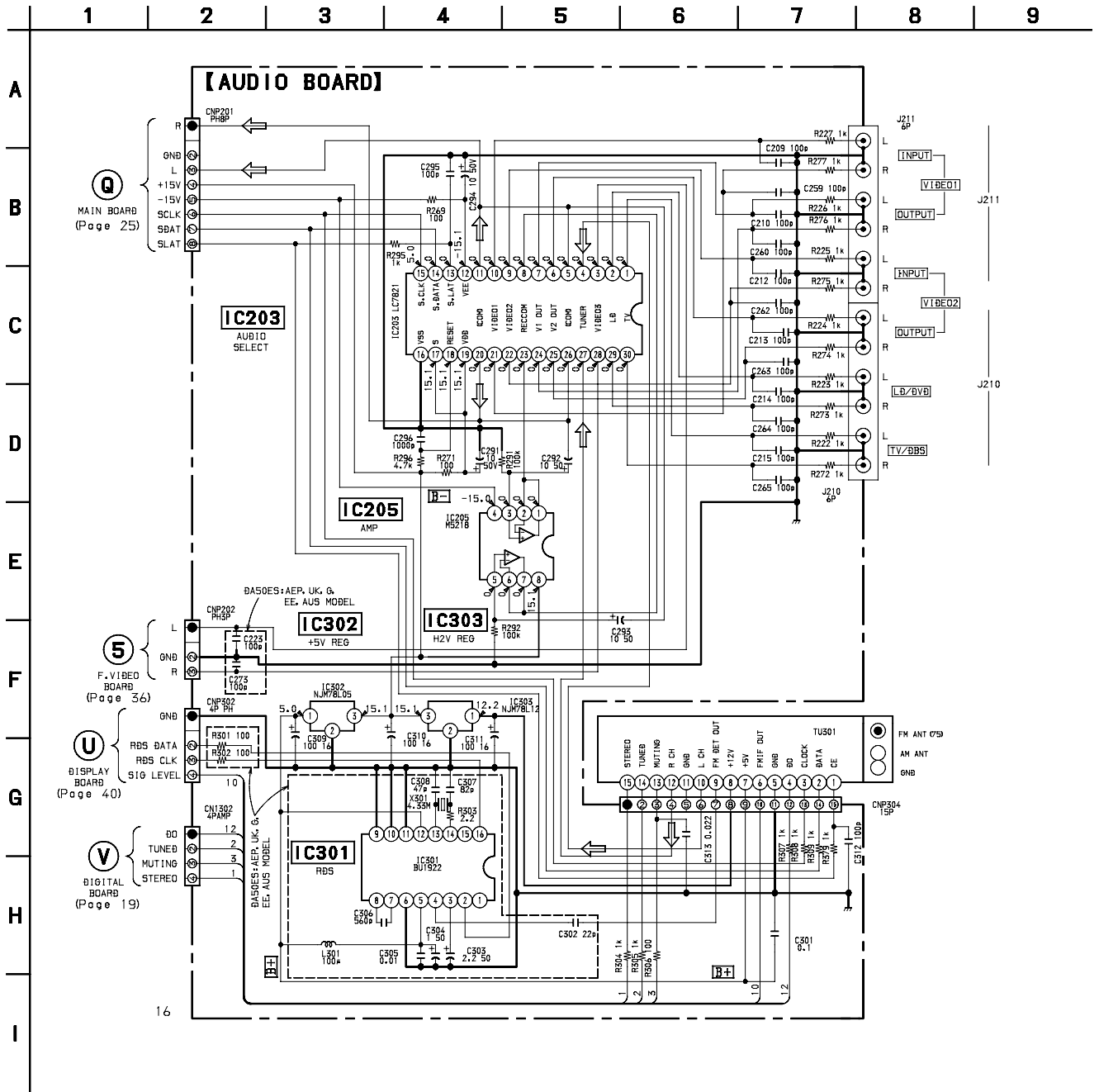
Ref. No.	Location
D701	D-1
D702	D-1
D703	D-6
D704	D-6
D705	B-10
D751	C-4
D752	C-5
D753	C-5
D754	C-4
IC701	C-3
IC702	D-2
IC703	D-5
IC752	D-9
IC753	D-11
Q708	D-4
Q709	C-10
Q758	D-10



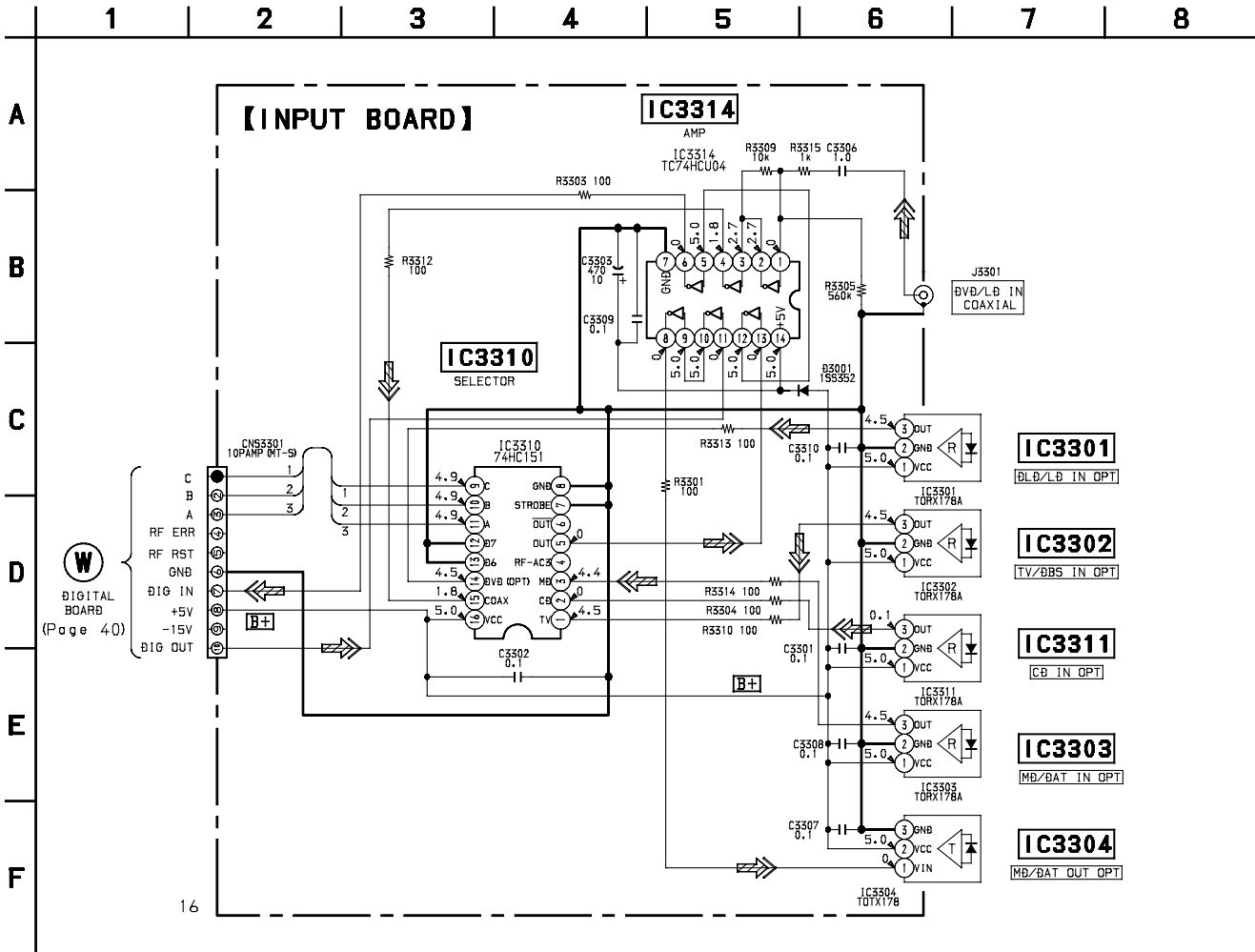


• Semiconductor Location

Ref. No.	Location
IC203	F-5
IC205	H-4
IC301	C-4
IC302	C-3
IC303	B-3



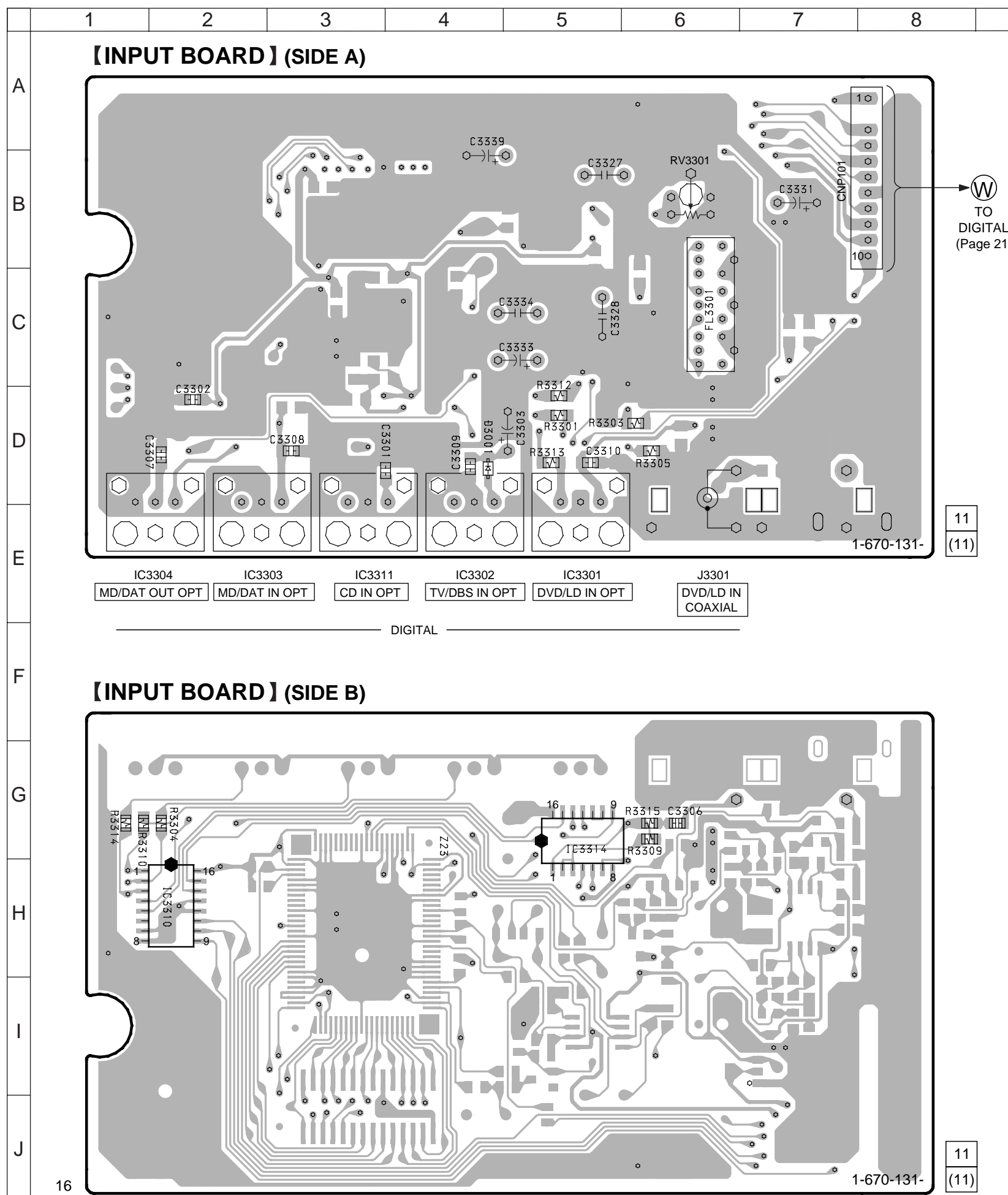
4-22. SCHEMATIC DIAGRAM — INPUT SECTION —

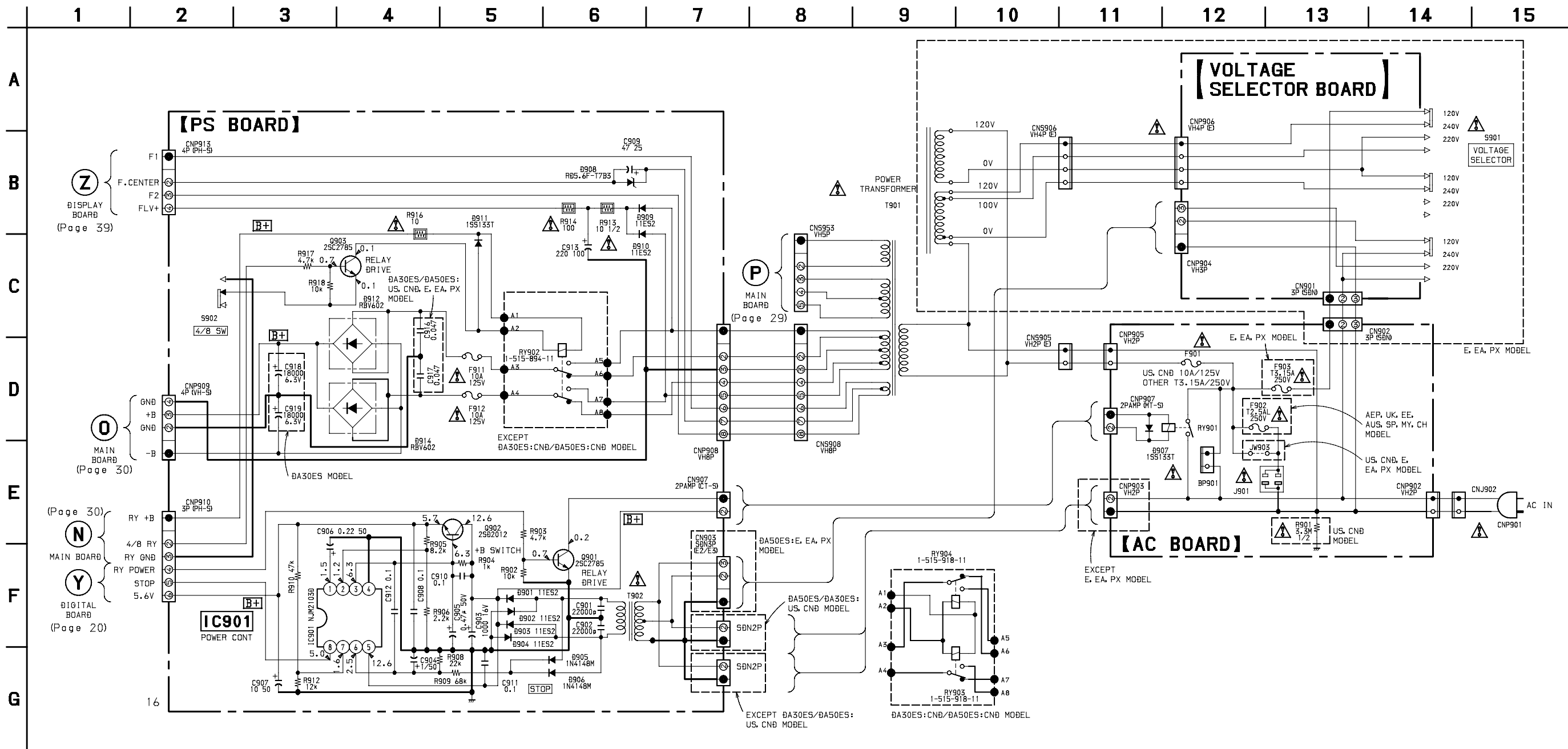


4-23. PRINTED WIRING BOARD — INPUT SECTION — • See page 15 for Circuit Boards Location.

• Semiconductor Location

Ref. No.	Location
D3001	D-4
IC3301	E-5
IC3302	E-4
IC3303	E-2
IC3304	E-2
IC3310	H-2
IC3311	E-3
IC3314	G-5



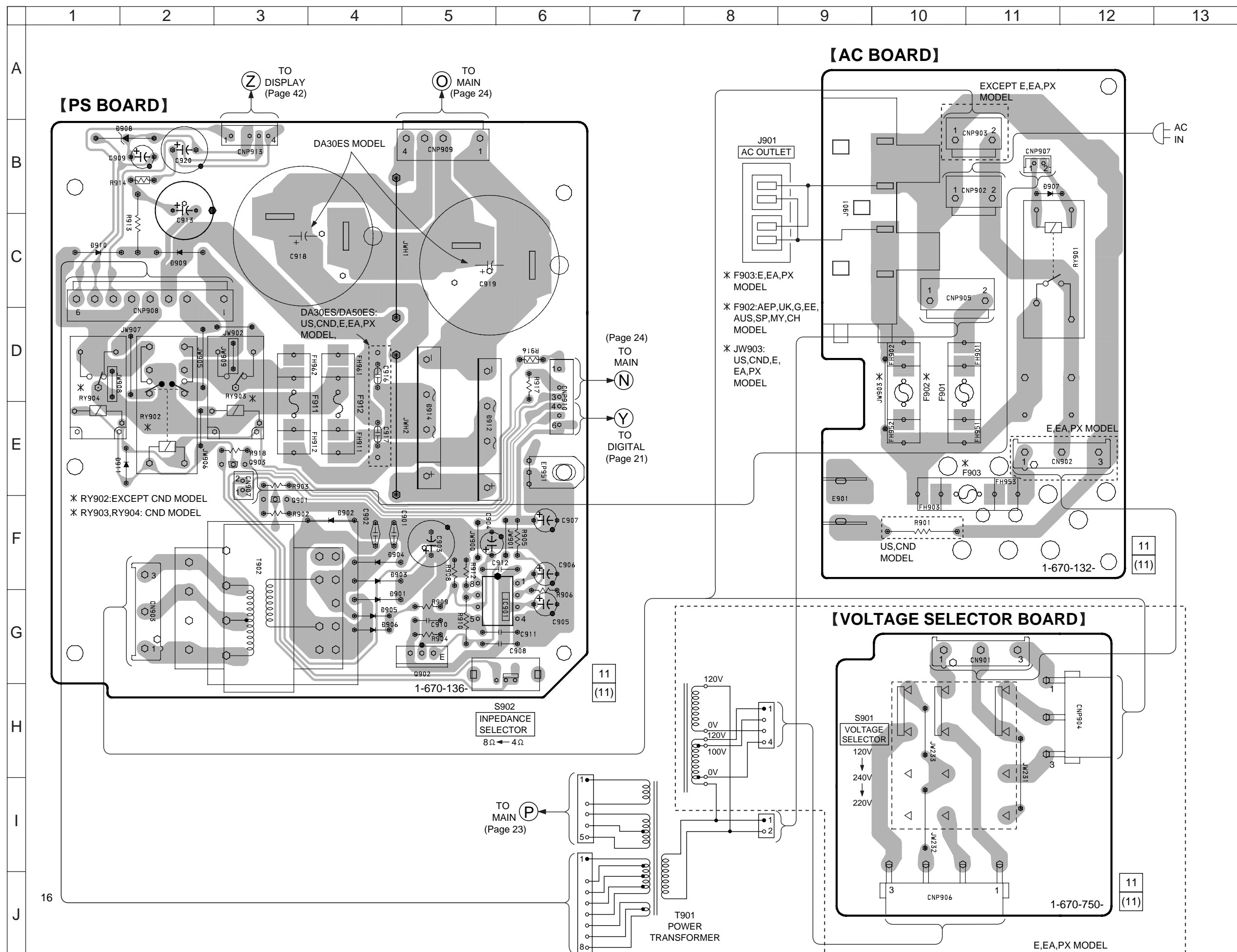


<p>以阴影和 Δ 标志来识别的零部件，在安全方面具有关键性，因此只能以规定号码的零部件来更换。</p>	<p>Note: The components identified by mark Δ or dotted line with mark Δ are critical for safety. Replace only with part number specified.</p>	<p>Note: Les composants identifiés par une marque Δ sont critiques pour la sécurité. Ne les remplacer que par une pièce portant le numéro spécifié.</p>
--	--	--

4-25. PRINTED WIRING BOARD — POWER SECTION — • See page 15 for Circuit Boards Location.

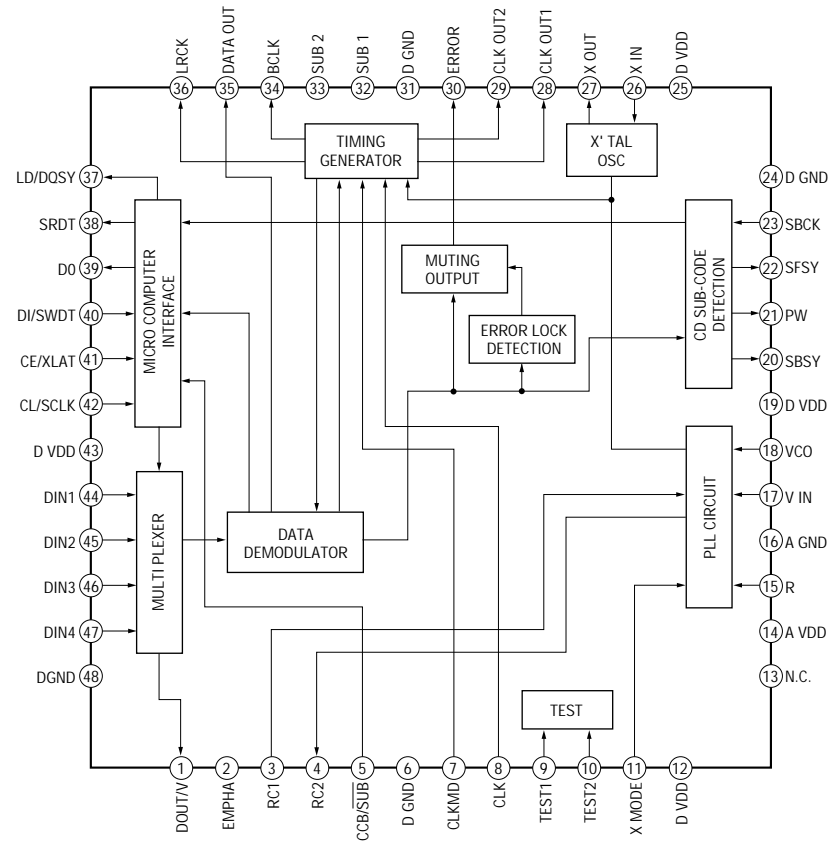
• Semiconductor Location

Ref. No.	Location
D901	G-4
D902	F-4
D903	F-4
D904	F-4
D905	G-4
D906	G-4
D907	B-11
D908	B-2
D909	C-1
D910	C-1
D911	E-2
D912	E-5
D914	E-5
IC901	G-6
Q901	F-3
Q902	G-5
Q903	E-3

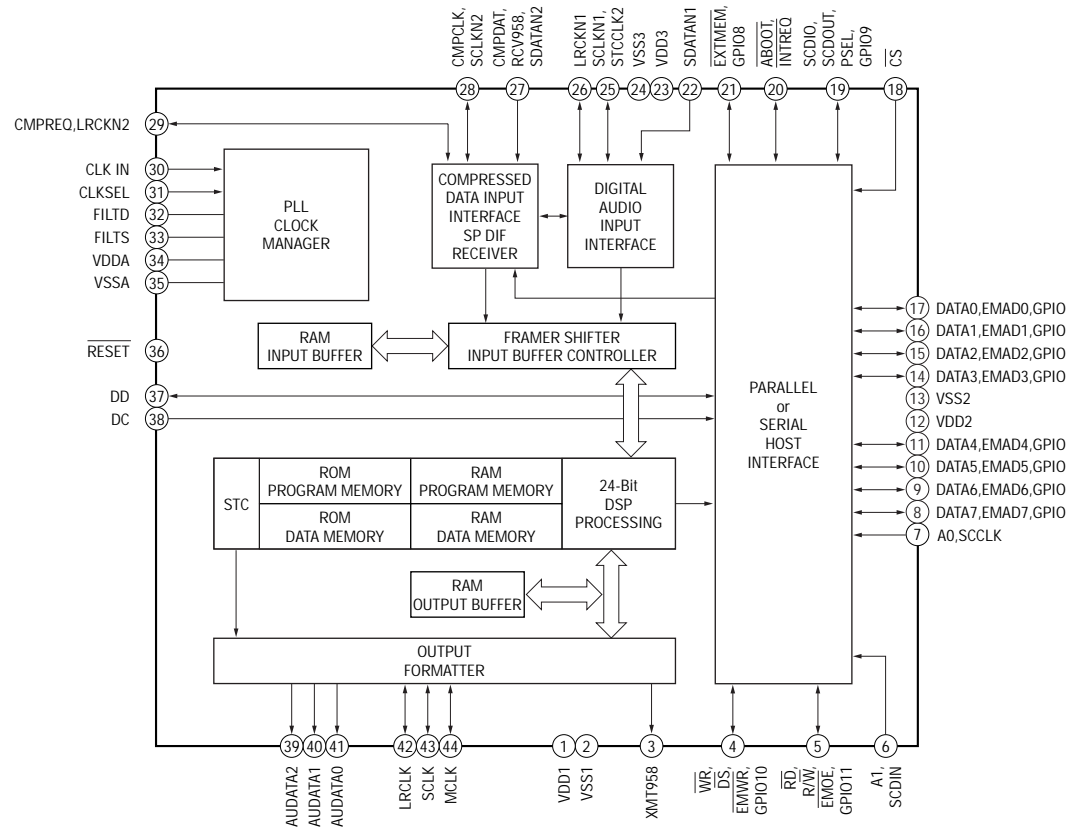


4-26. IC BLOCK DIAGRAMS

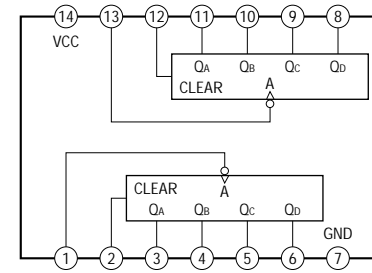
IC1101 CXD8495AQ (DIGITAL BOARD)



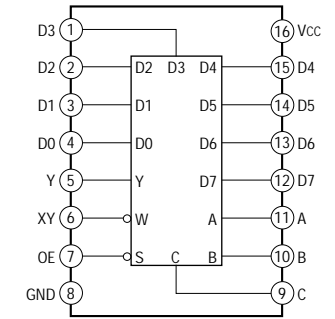
IC1106 CS4926 (DIGITAL BOARD)



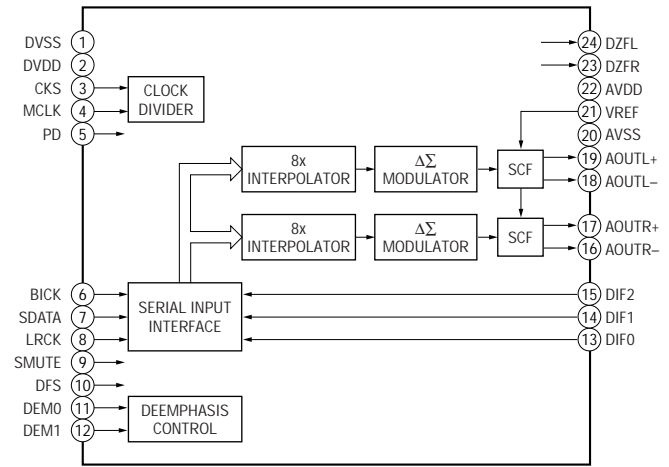
IC1109 TC74VHC393FT(EL) (DIGITAL BOARD)



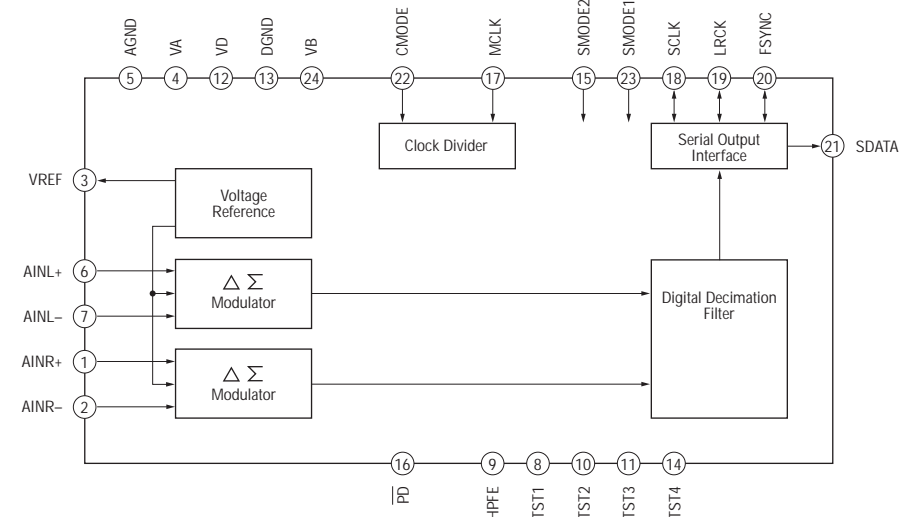
IC3310 TC74HC151AF (DIGITAL BOARD)



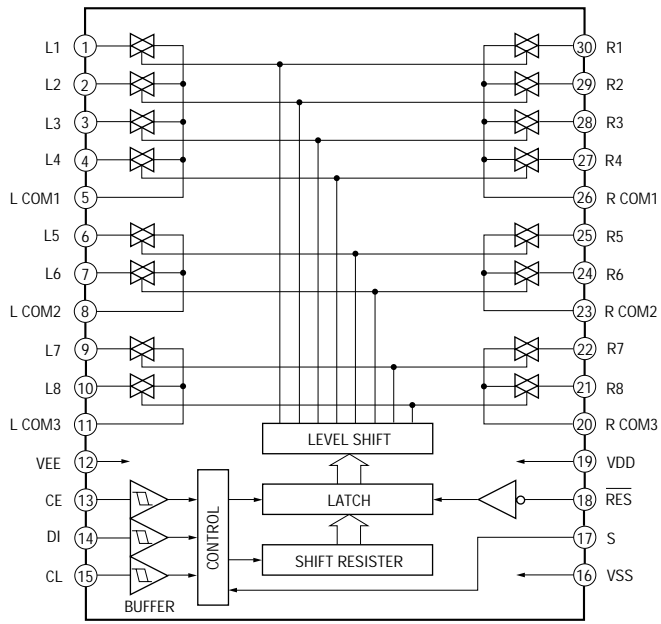
IC1202 AK4324-VF-E2 (DIGITAL BOARD)



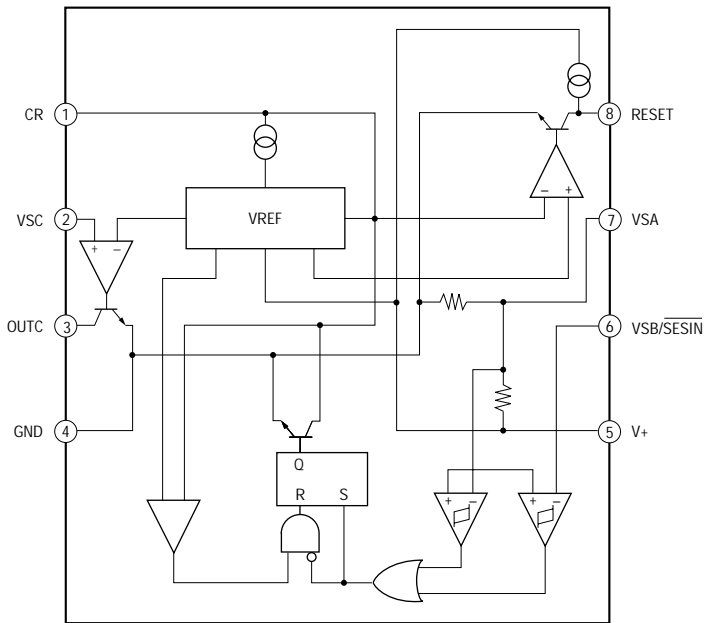
IC1210 AK5352-VF-E2 (DIGITAL BOARD)



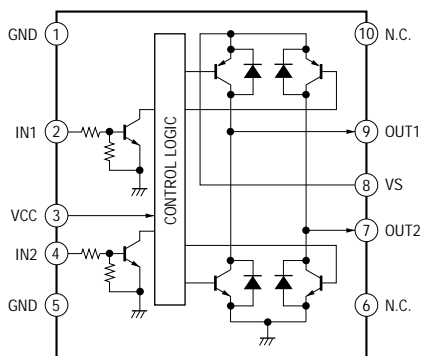
IC202,203 LC7821 (MAIN/AUDIO BOARD)



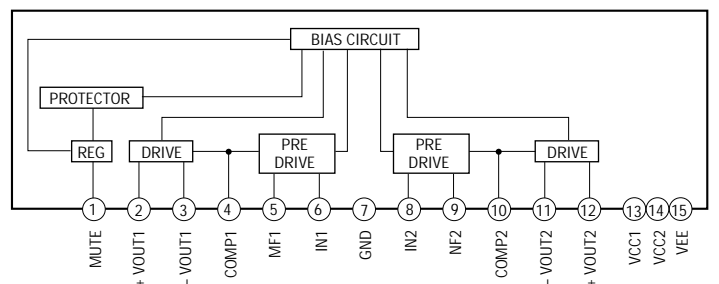
IC901 NJM2103D (PS BOARD)



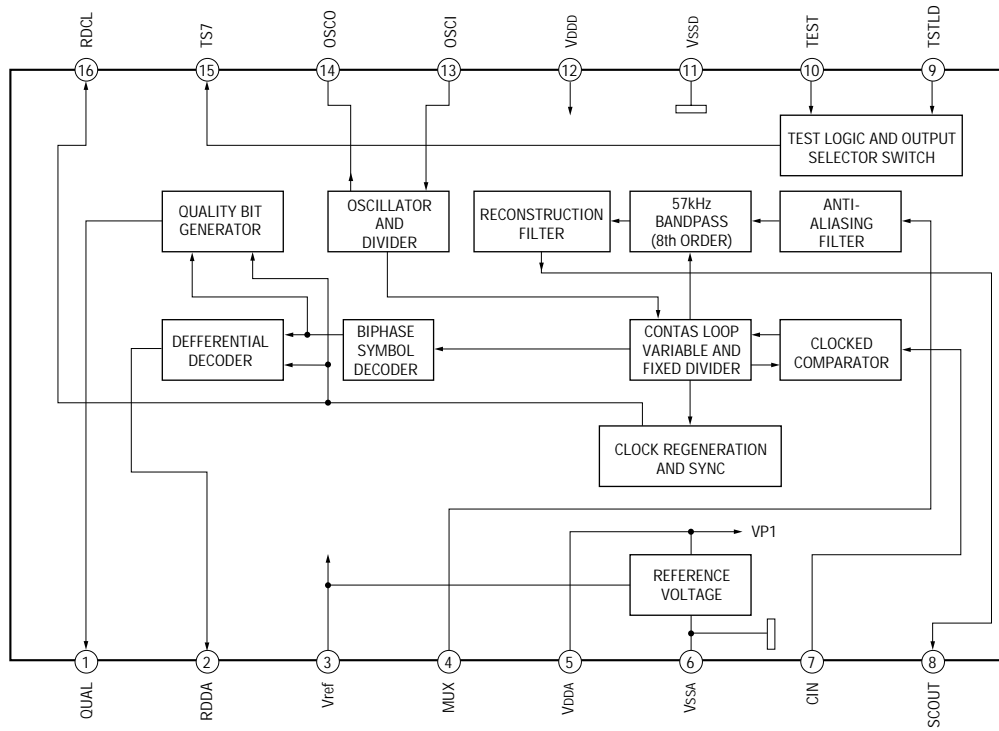
IC103 LB1638M (DISPLAY BOARD)



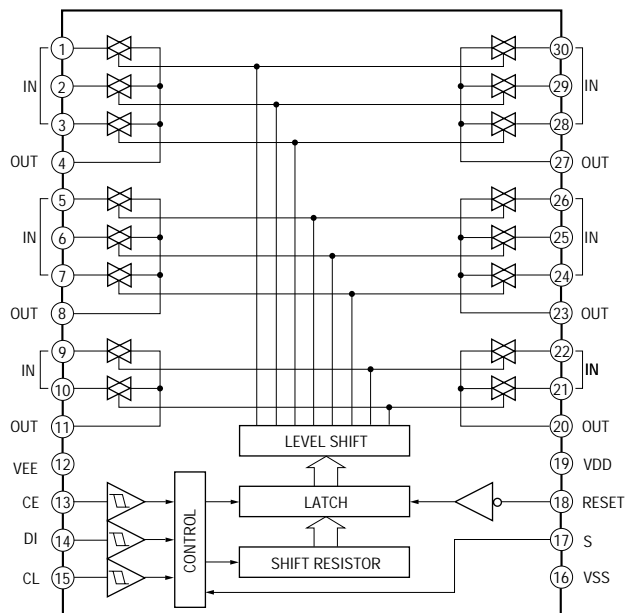
IC501,601,701 uPC2581V (S.AMP/MAIN BOARD)



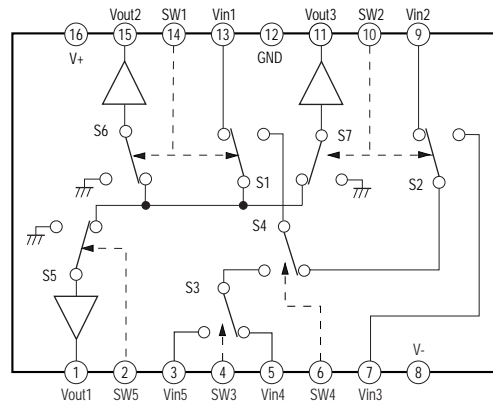
IC301 BU1922 (AUDIO BOARD)



IC351 LC7822 (MAIN BOARD)



IC811,812,813 NJM2296D (S.VIDEO/VIDEO BOARD)



4-27. IC PIN FUNCTION DESCRIPTION
IC102 MB90553PF-G-121-BND (DISPLAY BOARD)

Pin No.	Pin Name	I/O	Description
1	LED V VIDEO2	O	VIDEO 2 visual display data output to LED
2	LED A VIDEO3	O	VIDEO 3 audio display data output to LED
3	LED V VIDEO3	O	VIDEO 3 visual display data output to LED
4	LED A DVD/LD	O	DVD/LD audio display data output to LED
5	LED V DVD/LD	O	DVD/LD visual display data output to LED
6	LED A TV/DBS	O	TV/DBS audio display data output to LED
7	LED V TV/DBS	O	TV/DBS visual display data output to LED
8	LED TAPE	O	TAPE display data output to LED
9	LED MD/DAT	O	MD/DAT display data output to LED
10	LED CD	O	CD display data output to LED
11	VSS	—	Ground (Connected to ground)
12	LED TUNER	O	TUNER display data output to LED
13	LED PHONO	O	PHONO display data output to LED
14	LED SURR	O	CURSOR MODE SURROUND display data output to LED
15	LED EQ	O	CURSOR MODE EQ display data output to LED
16	LED INDEX	O	CURSOR MODE INDEX display data output to LED
17	LED S.F ON/OFF	O	SOUND FIELD ON/OFF display data output to LED
18	LED MUTING	O	MUTING display data output to LED
19	FLASH DO	O	FLASH DATA output
20	FLASH D1	I	FLASH DATA input
21	FL CLK	O	Clock output to fluorescent display tube
22	FL DATA	O	Data output to fluorescent display tube
23	VCC	—	Power supply +5 V
24	FL LAT	O	Fluorescent latch
25	FL CLEAR	O	Fluorescent clear
26	SIRCS IN	I	SIRCS input
27	C	—	External power regulator capacitor 0.1 μ F is connected to this terminal
28	—	—	Not used (Connected to ground)
29	—	—	Not used (Connected to ground)
30	—	—	Not used (Connected to ground)
31	—	—	Not used (Connected to ground)
32	—	—	Not used (Connected to ground)
33	—	—	Not used (Connected to ground)
34	AVCC	—	Analog power supply +5 V
35	AVRH	—	AVRH (Connected to Analog power supply +5 V)
36	AVRL	—	AVRL (Connected to ground)
37	AVSS	—	Ground (Connected to ground)
38	AD KEY IN 1	I	Key input 1
39	AD KEY IN 2	I	Key input 2
40	AD KEY IN 3	I	Key input 3
41	AD KEY IN 4	I	Key input 4
42	VSS	—	Ground (Connected to ground)
43	AD KEY IN 5	I	Key input 5
44	AD KEY IN 6	I	Key input 6
45	AD VERSION 1	I	Version input 1
46	AD VERSION 2	I	Version input 2
47	STOP	I	Stop input
48	—	—	Not used (Connected to ground)
49	MD0	I	MD 0
50	MD1	I	MD 1

Pin No.	Pin Name	I/O	Description
51	MD2	I	MD 2
52	HSTX	I	Hardware STANDBY input
53	RDS CLOCK	I	RDS clock input
54	RDS DATA	I	RDS data input
55	VOL UP	O	Volume up output
56	VOL DOWN	O	Volume down output
57	IRQ6	I	SP switch S102
58	U-RESET	O	Reset output
59	U-SREQ	I	Slave request and data input
60	U-MREQ	O	Master request output
61	U-DATA	O	Master data output
62	U-CLOCK	O	Master clock output
63	AUBUS-IN	I	Audio bus input
64	—	—	Not used (Connected to ground)
65	—	—	Not used (Connected to ground)
66	—	—	Not used (Connected to ground)
67	AUBUS-OUT	O	Audio bus output
68	—	—	Not used (Connected to ground)
69	FUNCTION-UP	I	Function encoder up input
70	FUNCTION-DOWN	I	Function encoder down input
71	—	—	Not used (Connected to ground)
72	SP-A	I	Speaker A select switch input
73	SP-B	I	Speaker B select switch input
74	POW-KEY IN	I	Power key input
75	—	—	Not used (Connected to ground)
76	—	—	Not used (Connected to ground)
77	RESET	I	Reset input
78	—	—	Not used (Connected to ground)
79	—	—	Not used (Connected to ground)
80	—	—	Not used (Connected to ground)
81	VSS	—	Not used (Connected to ground)
82	X0	—	External crystal is connected to this terminal
83	X1	—	External crystal is connected to this terminal
84	VCC	—	Power supply +5 V
85	—	—	Not used (Connected to ground)
86	—	—	Not used (Connected to ground)
87	LED DOLBY DIGITAL	O	MULTI FORMAT DECODE display data output to LED
88	LED VOL	O	VOLUME display data output to LED
89	LED BASS BOOST	O	BASS BOOST display data output to LED
90	LED A VIDEO1	O	VIDEO 1 audio display data output to LED
91	LED V VIDEO1	O	VIDEO 1 visual display data output to LED
92	LED A VIDEO2	O	VIDEO 2 audio display data output to LED
93	MBUS-V1	I	V1 input form MBUS (Connected to ground)
94	MBUS-V2	I	V2 input form MBUS (Connected to ground)
95	MBUS-TV	I	TV input form MBUS (Connected to ground)
96	MBUS-STATUS	I	STATUS input form MBUS (Connected to ground)
97	—	—	Not used (Connected to ground)
98	—	O	CTRL latch
99	—	—	Not used (Connected to ground)
100	—	—	Not used (Connected to ground)

IC 1201 MB90574PFV-G-127-BND (DIGITAL BOARD)

Pin No.	Pin Name	I/O	Description
1	RFERR	I	RF demodulator error or signal input
2	RERESSET	O	RF demodulator/DIR reset
3	SW6	O	Woofer gain control 6
4	SW12	O	Woofer gain control 12
5	REAR3	O	Rear gain control 3
6	REAR6	O	Rear gain control 6
7	REAR12	O	Rear gain control 12
8	VCC	—	Power supply +5 V
9	S1NI	I	UART input. Used for rewriting flash memory
10	SOT0	O	UART output. Used for rewriting flash memory
11	—	—	Not used (Connected to ground)
12	SIN1	O	Test pin
13	SOT1	I	Surround mute in
14	ANA/DIG	O	Analog/digital selection (SN74HC157)
15	SCDIN	I	To CS4923 data input
16	SCCLK	O	To CS4923 clock
17	CS	O	To CS4923 chip select
18	SCDIO/OUT	O	To CS4923 SPI data output
19	INTREQ	I	To CS4923 interrupt request
20	RESET	O	To CS4923 reset
21	XHDWR	O	To CXD2712 HCIF data write
22	XHDRD	O	To CXD2712 HCIF data read
23	HRDY	I	To CXD2712 HCIF ready
24	XHDCS	O	To CXD2712 HCIF chip select
25	HD0	I/O	To CXD2712 HCIF data input/output
26	HD1	I/O	To CXD2712 HCIF data input/output
27	HD2	I/O	To CXD2712 HCIF data input/output
28	HD3	I/O	To CXD2712 HCIF data input/output
29	HD4	I/O	To CXD2712 HCIF data input/output
30	HD5	I/O	To CXD2712 HCIF data input/output
31	HD6	I/O	To CXD2712 HCIF data input/output
32	HD7	O	To CXD2712 HD 7
33	VSS	—	Ground
34	C	—	External power regulator capacitor 0.1 u is connected to this terminal
35	HA0	O	To CXD2712 HCIF address
36	XRST	O	To CXD2712 reset
37	SOD	I	To CXD2712 LFE detection
38	DVCC	—	Digital power supply +5 V
39	DVSS	—	Digital ground
40	D/AINT	O	DA AK4324 reset
41	SMUTE	O	DA AK4324 muting
42	AVCC	—	Analog power supply +5 V
43	AVR+	—	Power supply +5 V
44	AVR-	—	Ground
45	AVSS	—	Ground
46	A/DINT	O	AD AK5352 reset
47	—	—	Not used (Not connected, open)
48	EVSTB	O	To TC9299 strobe
49	EVDATA	O	To TC9299 data
50	EVCLK	O	To TC9299 clock

Pin No.	Pin Name	I/O	Description
51	DISPMR	I	Display master request (Connected to MB90570 U.MREQ)
52	DISPDATA	I	Display data (Connected to MB90570 U.DATA)
53	SLVDATA/REQ	O	Slave data/request (Connected to MB90570 U.SREQ)
54	VCC	—	Power supply +5 V
55	DISPCLK	I	Display clock (Connected to MB90570 U.CLOCK)
56	S.LAT	O	To tuner LC7821 latch
57	S.DATA	O	To tuner LC7821 data
58	S.CLK	O	To tuner LC7821 clock
59	—	—	Not used (Connected to ground)
60	DATAIN	I	PLL data input
61	AUTOSTOP	I	Auto stop input
62	STEREO	I	Stereo input
63	VSS	—	Ground
64	STOP	I	AC power check
65	—	—	Not used (Connected to ground)
66	—	—	Not used (Connected to ground)
67	ERROR	O	Error output LC8904
68	—	—	Not used (Connected to ground)
69	—	—	Not used (Connected to ground)
70	—	—	Not used
71	VERSION1	I	U or CED or J
72	VERSION2	I	U or CED or J
73	X1A	—	Not used (Not connected, open)
74	X0A	—	Not used (Not connected, open)
75	SRDT	I	To LC8904AQ C-bit
76	SWDT	O	To LC8904AQ data
77	XLAT	O	To LC8904AQ latch
78	SCLK	O	To LC8904AQ clock
79	PROTEC	I	Protector input
80	VIDEO(SW4)	O	To NJM2296 video select switch 4
81	VIDEO(SW3)	O	To NJM2296 video select switch 3
82	VIDEO(SW2)	O	To NJM2296 video select switch 2
83	VIDEO(SW1)	O	To NJM2296 video select switch 1
84	ACMUTE	—	IC muting (Not connected, open)
85	F.MUTE	O	Function muting
86	HSTX	—	Hardware standby (Connected to power supply +5 V)
87	MD2	O	MD 2
88	MD1	—	MD 1 (Connected to power supply +5 V)
89	MD0	O	MD 0
90	RESET	I	Reset
91	VSS	—	Ground (Connected to ground)
92	X0	—	External ceramic filter 4 MHz is connected to this terminal
93	X1	—	External ceramic filter 4 MHz is connected to this terminal
94	VCC	—	Power supply +5 V
95	PO0	—	Flash memory rewrite (Connected to ground)
96	PO1	—	Flash memory rewrite (Connected to ground)
97	TUNERMUTE	O	Tuner muting
98	SURRMUTE	O	Surround muting
99	RY-4/8	O	4/8 relay
100	—	—	Not used

Pin No.	Pin Name	I/O	Description
101	RY-FRONT/A	O	Front speaker A relay
102	RY-FRONT/B	O	Front speaker B relay
103	RY-CENTER	O	Center speaker relay
104	RY-REAR	O	Rear speaker relay
105	WOOFER-RY	O	Sub woofer relay
106	RY-HP	O	Headphones relay
107	RY-POWER	O	Power relay
108	RY-DIRECT-PASS	O	Direct/pass relay
109	DIG-IN2	I	Digital input select 2 (SN74HC151)
110	DIG-IN1	I	Digital input select 1 (SN74HC151)
111	DIG-IN0	I	Digital input select 0 (SN74HC151)
112	TEST0	—	Test port 0 (Not connected, open)
113	FRONT4	O	Front gain control 4
114	FRONT8	O	Front gain control 8
115	FRONT16	O	Front gain control 16
116	C3	O	Center gain control 3
117	C6	O	Center gain control 6
118	C12	O	Center gain control 12
119	VSS	—	Ground
120	SW3	O	Woofer gain control 3

IC1101 CXD8495AQ (DIGITAL BOARD)

Pin No.	Pin Name	I/O	Description
1	DOUT/V	O	EIAJ data and parity flag output terminal
2	EMPHA	O	Emphasis monitor output terminal ("H" = ON)
3	RC1	I	RC oscillator input terminal
4	RC2	O	RC oscillator output terminal
5	CCB/ $\overline{\text{SUB}}$	I	Microprocessor I/F select input terminal (CCB: H, $\overline{\text{SUB}}$: L) (Connected to ground)
6	D. GND	—	Digital ground
7	128/ $\overline{256}$	O	Clock output select terminal ("L" = 256 fs, "H" = 128 fs) (Connected to ground)
8	$\overline{384}/512$	I	Clock input select terminal ("H" = 512 fs, "L" = 384 fs)
9	TEST	I	Test terminal (Connected to ground)
10	TEST	I	Test terminal (Connected to ground)
11	RESET	I	Reset input terminal
12	D. +5V	—	Digital power supply 0.5 V
13	—	—	Not used (Not connected, open)
14	A. +5V	—	Analog power supply +5 V
15	R	I	VCO oscillation band adjustment input terminal
16	A. GND	—	Analog ground
17	VCO IN	I	VCO free-running frequency setting input terminal
18	VCO	O	External LPF is connected to this terminal for PLL
19	D. +5V	—	Digital power supply +5 V
20	SBSY	O	CD subcode I/F and block sync output terminal
21	PW	O	CD subcode I/F and data output terminal
22	SFSY	O	CD subcode I/F and frame sync output terminal
23	SB CLK	I	CD subcode I/F and shift clock input terminal for data reading
24	D. GND	—	Digital ground
25	D. +5V	—	Digital power supply +5 V
26	XIN	I	Crystal oscillator input terminal
27	XOUT	O	Crystal oscillator output terminal
28	CLK OUT	O	VCO and crystal oscillator clock output terminal
29	CLK OUT	O	256fs or 128fs clock output terminal (Selected by CLKMD terminal)
30	ERROR	O	Error mute output terminal
31	D. GND	—	Digital ground
32	SUB1	O	Sampling frequency monitor output terminal
33	SUB2	O	Sampling frequency monitor output terminal
34	BCK	O	Bit clock output terminal
35	DATA OUT	O	Audio data output terminal
36	LRCK	O	L, R clock output terminal (L-ch: H, R-ch: L)
37	LD/DQSY	O	Microprocessor I/F and subcode Q data sync output terminal
38	SRDT	O	Microprocessor I/F. When CCB/SUB is L, data output terminal (3-state output)
39	DO	O	Microprocessor I/F. When CCB/SUB is H, data output terminal (high level open drain output) (Not connected)
40	DI/SWDT	I	Microprocessor I/F. Data input terminal
41	CE/XLAT	I	Microprocessor I/F. Chip enable/latch input terminal
42	CL/SCLK	I	Microprocessor I/F. Clock input terminal
43	D. +5V	—	Digital power supply +5 V
44	DIN1	I	Built-in amplifier data input terminal (Connected to ground)
45	DIN2	I	Built-in amplifier data input terminal (Connected to ground)
46	DIN3	I	Built-in amplifier data input terminal (Connected to ground)
47	DIN4	I	Built-in amplifier data input terminal
48	D. GND	—	Digital ground

IC1112 CXD2712R (DIGITAL BOARD)

Pin No.	Pin Name	I/O	Description
1	VSS3	—	Ground
2 - 5	SOA - SOD	O	Serial data output
6,7	ECJ0, ECJ1	I	Conditional jump input terminal (7 pin: Connected to ground)
8	—	—	Not used (Connected to ground)
9	XHDWR	I	HCIF data write
10	XHDRD	I	HCIF data read
11	VSS4	—	Ground
12	VDD2	—	Power supply +3.3 V
13	HRDY	O	HCIF ready signal. Open drain
14	XHDCS	I	HCIF chip select
15	HA0	I	HCIF address input
16 -20	HD0 - HD4	I/O	HCIF data input/output
21	VSS5	—	Ground
22	VDD3	—	Power supply +3.3 V
23 - 25	HD5 - HD7	I/O	HCIF data input/output
26	$\overline{\text{XRST}}$	I	Reset input "L": active
27 -30	—	—	Test data output. Not used. (Not connected)
31	VSS6	—	Ground
32 - 40	SD0 - SD8	I/O	External RAM data input/output
41	VSS7	—	Ground
42	VDD4	—	Power supply +3.3 V
43 -49	ED9 - ED15	I/O	External RAM data input/output
50	—	—	Test data input. Not used. (Connected to ground)
51	VSS8	—	Ground
52	VDD5	—	Power supply +3.3 V
53 -60	ED16 - ED23	I/O	External RAM data input/output
61	VSS9	—	Ground
62 -69	ED24 - ED31	I/O	External RAM data input/output
70	XOE	O	External RAM output cable
71	VSS10	—	Ground
72	VDD6	—	Power supply +3.3 V
73	CAS	O	External RAM column address strobe Not used. (Not connected)
74	XWE	O	External RAM write enable
75	RAS	O	External RAM row address strobe. Not used. (Not connected)
76 -80	EA0 - EA4	I/O	External RAM address output/test data input
81	VSS11	—	Ground
82	VDD7	—	Power supply +3.3 V
83 -89	EA5 - EA11	I/O	External RAM data input/output
90	EA12	O	External RAM address output
91	VSS0	—	Ground
92 -94	EA13 - EA15	O	External RAM address output
95	EA16	O	Not used
96	TSTA	I	Test data input "L" = normal "H" = test (Connected to ground)
97	PLDIVF	I	PLL input frequency select "L" = 256fs "H" = 128 fs (Connected to ground)
98	PLDIVB	O	PLL output frequency select "L" = 768 fs "H" = 1024 fs (Connected to ground)
99	CLK1	I	Master clock input
100	CLKO	O	Master clock output (Not connected)

Pin No.	Pin Name	I/O	Description
101	VSS1	—	Ground
102	VDD0	—	Power supply +3.3 V
103	AVSS	—	Ground for PLL cell
104	AVDD	—	VDD for PLL cell
105	PLLCK	I/O	PLL output/test clock input (Not connected)
106	XPLEN	I	PLL cell oscillation enable "L" oscillation enable "H" oscillation stop (Connected to ground)
107	TST	I	Test data input "L" = normal "H" = test (Connected to ground)
108	LRCT	I	Frequency counter input (Connected to ground)
109	LROUT	O	LRCK0 divider output
110	BKOUT	O	BCK0 divider output
111	VSS2	—	Ground
112	VDD1	—	Power supply +3.3 V
113	BCK0	I	BCK input
114	BCK1	I	BCK input
115	LRCK0	I	LRCK input
116	LRCK1	I	LRCK input
117-120	SIA - SID	I	Serial data input

SECTION 5 EXPLODED VIEWS

Ver 1.1 2001.06

NOTE:

- -XX, -X mean standardized parts, so they may have some differences from the original one.
- Items marked “*” are not stocked since they are seldom required for routine service. Some delay should be anticipated when ordering these items.
- The mechanical parts with no reference number in the exploded views are not supplied.

- Hardware (# mark) list and accessories and packing materials are given in the last of this parts list.

- Color Indication of Appearance Parts Example:
KNOB, BALANCE (WHITE) . . . (RED)

- Parts of Color Cabinet's Color
- Abbreviation
 - CND : Canadian G : German
 - EE : East European EA : Saudi Arabia
 - MY : Malaysia SP : Singapore
 - AUS : Australian CH : Chinese

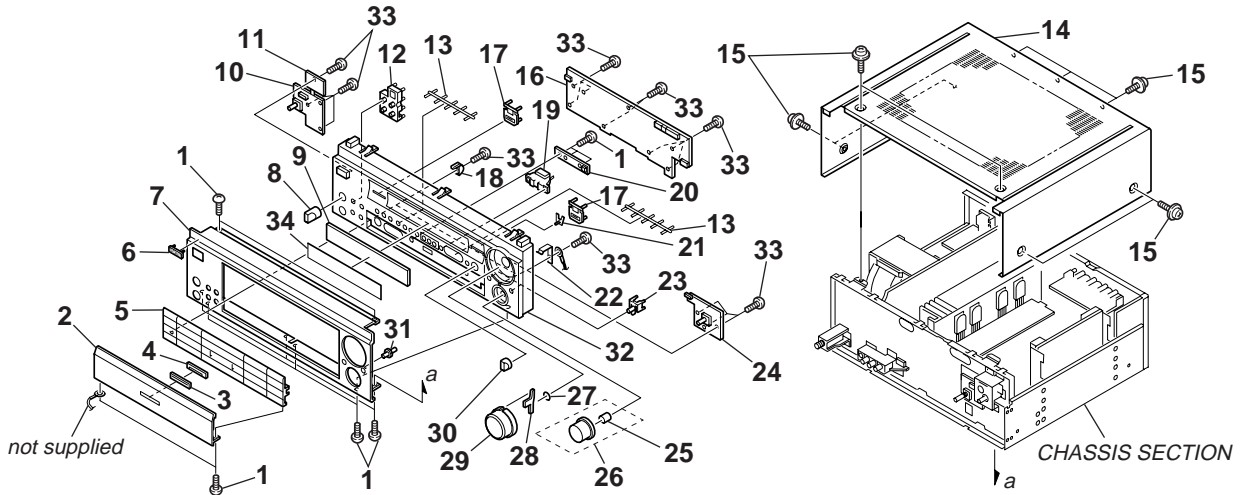
When indicating parts by reference number, please include the board name.

The components identified by mark Δ or dotted line with mark Δ are critical for safety. Replace only with part number specified.

Les composants identifiés par une marque Δ sont critiques pour la sécurité. Ne les remplacer que par une pièce portant le numéro spécifié.

以阴影和 Δ 标志来识别的零部件在安全方面具有关键性。因此只能以规定号码的零部件来更换。

5-1. FRONT PANEL SECTION



Ref. No.	Part No.	Description	Remarks	Ref. No.	Part No.	Description	Remarks
1	3-704-515-21	SCREW (BV/RING)		* 16	A-4414-289-A	DISPLAY BOARD, COMPLETE (DA50ES:E,EA,PX)	
2	4-900-632-01	LID (FRONT) (BLACK)		* 16	A-4414-299-A	DISPLAY BOARD, COMPLETE (DA30ES)	
2	4-900-632-11	LID (FRONT) (GOLD)		17	4-991-386-01	BUTTON (WINDOW)	
* 3	4-900-642-01	ESCUTCHEON (LID) (SILVER)		18	4-900-644-11	FULCRUM (GOLD)	
* 3	4-900-642-11	ESCUTCHEON (LID) (GOLD)					
* 4	4-900-643-01	INDICATOR (LID)		18	4-900-644-01	FULCRUM (BLACK)	
* 5	4-900-634-01	LID (BASE) (BLACK)		* 19	4-900-638-01	HOUSE, LAMP	
* 5	4-900-634-11	LID (BASE) (GOLD)		* 20	1-670-147-11	LED BOARD	
6	4-942-568-41	EMBLEM (NO.5), SONY (BLACK)		21	4-900-645-01	INDICATOR (S/F)	
6	4-942-568-51	EMBLEM (NO.5), SONY (GOLD)		22	4-900-639-01	SPRING	
7	4-900-631-21	PANEL, FRONT (GOLD) (V55ES)		23	4-900-491-01	BUTTON (MUTE) (BLACK)	
7	4-900-631-01	PANEL, FRONT (BLACK) (DA50ES:US,CND)		23	4-900-491-11	BUTTON (MUTE) (GOLD)	
7	4-900-631-11	PANEL, FRONT (GOLD) (DA50ES:AEP)		* 24	1-670-146-11	FUNCTION BOARD	
7	4-900-631-31	PANEL, FRONT (BLACK) (DA30ES)		25	3-703-466-00	SPRING (6600)	
7	4-900-631-52	PANEL, FRONT (BLACK) (DA50ES:AEP,UK,G,EE,AUS)		26	X-4948-601-1	KNOB (FUNC) ASSY (BLACK)	
7	4-900-631-61	PANEL, FRONT (BLACK) (DA50ES:E,EA,PX,SP,MY)		26	X-4948-634-1	KNOB (FUNC) ASSY (GOLD)	
8	4-957-383-01	KNOB (F14) (BLACK)		27	3-350-426-01	SPRING, RING	
8	4-957-383-21	KNOB (F14) (GOLD)		28	4-998-207-11	INDICATOR (VOL)	
9	4-900-648-01	WINDOW		29	X-3375-592-1	KNOB (VOL) ASSY (BLACK)	
* 10	1-670-142-11	SP. SWITCH BOARD		29	X-4949-977-1	KNOB (VOL) ASSY (GOLD)	
* 11	1-670-749-11	POWER SWITCH BOARD		30	4-900-500-01	KNOB (BAL) (BLACK)	
12	4-900-563-11	BUTTON (5) (BLACK)		30	4-900-500-11	KNOB (BAL) (GOLD)	
12	4-900-563-21	BUTTON (5) (GOLD)		* 31	X-4950-462-1	LENS ASSY, LED	
13	4-991-388-01	INDICATOR (FUNC)		32	X-4949-966-1	BASE ASSY, PANEL (BLACK) (DA30ES/DA50ES:US,CND)	
* 14	X-4950-431-1	CASE ASSY (BLACK)		32	X-4949-967-1	BASE ASSY, PANEL (BLACK) (DA50ES:AEP,UK,G,EE,AUS)	
* 14	X-4950-437-1	CASE ASSY (GOLD)		32	X-4949-968-1	BASE ASSY, PANEL (BLACK) (DA50ES:E,EA,PX,SP,MY)	
15	4-210-291-01	SCREW (CASE 3 TP2) (BLACK)		32	X-4949-969-1	BASE ASSY, PANEL (GOLD) (DA50ES:AEP,UK,G,EE,AUS)	
15	4-210-291-11	SCREW (CASE 3 TP2) (GOLD)		32	X-4949-970-1	BASE ASSY, PANEL (GOLD) (V55ES)	
* 16	A-4414-286-A	DISPLAY BOARD, COMPLETE (DA50ES:US,CND)		33	4-951-620-01	SCREW (2.6x8), +BVTP	
* 16	A-4414-287-A	DISPLAY BOARD, COMPLETE (DA50ES:AEP,UK,G,EE,AUS)		34	4-900-649-01	FILTER	
* 16	A-4414-288-A	DISPLAY BOARD, COMPLETE (DA50ES:SP,MY/V55ES)					

Ref. No.	Part No.	Description	Remarks	Ref. No.	Part No.	Description	Remarks
* 51	1-670-140-11	BALANCE VOLUME BOARD		* 69	A-4414-263-A	AUDIO BOARD, COMPLETE (DA30ES/DA50ES:US,CND,E,EA,PX,SP,MY/V55ES)	
* 52	1-670-145-11	F.VIDEO BOARD		* 69	A-4414-264-A	AUDIO BOARD, COMPLETE (DA50ES:AEP,UK,G,EE,AUS)	
* 53	1-670-139-11	HP BOARD		* 70	A-4414-295-A	INPUT BOARD, COMPLETE	
* 54	1-670-141-11	VOLUME BOARD		71	4-970-123-01	FOOT (F50180S)	
* 55	A-4414-252-A	AMP BOARD, COMPLETE		72	4-970-124-01	CUSHION (F50180S)	
56	1-698-792-11	FAN, DC (DA50ES/V55ES)		* 73	A-4414-291-A	DIGITAL BOARD, COMPLETE (DA30ES/DA50ES:US,CND,E,EA,PX,SP,MY,V55ES)	
57	3-905-609-11	SCREW (TRANSISTOR)		* 73	A-4414-292-A	DIGITAL BOARD, COMPLETE (DA50ES:AEP,UK,G,EE,AUS)	
* 58	A-4414-280-A	S.AMP BOARD, COMPLETE (DA50ES:US,CND,E,EA,PX)		74	1-773-115-11	WIRE (FLAT TYPE) (19 CORE)	
* 58	A-4414-281-A	S.AMP BOARD, COMPLETE (DA50ES:AEP,UK,G,EE,AUS,SP,MY)		* 75	A-4414-259-A	PS BOARD, COMPLETE (DA50ES:US)	
* 58	A-4414-282-A	S.AMP BOARD, COMPLETE (V55ES)		* 75	A-4414-260-A	PS BOARD, COMPLETE (DA50ES:CND)	
* 58	A-4414-301-A	S.AMP BOARD, COMPLETE (DA30ES)		* 75	A-4414-261-A	PS BOARD, COMPLETE (DA50ES:AEP,UK,G,EE,AUS,SP,MY/V55ES)	
* 59	1-670-132-11	AC BOARD		* 75	A-4414-262-A	PS BOARD, COMPLETE (DA50ES:E,EA,PX)	
* 60	1-670-134-11	5.1 INPUT BOARD		* 75	A-4414-627-A	PS BOARD, COMPLETE (DA30ES:US)	
* 61	A-4414-276-A	MAIN BOARD, COMPLETE (DA50ES:US,CND,E,EA,PX)		* 75	A-4414-628-A	PS BOARD, COMPLETE (DA30ES:CND)	
* 61	A-4414-277-A	MAIN BOARD, COMPLETE (DA50ES:AEP,UK,G,EE,AUS)		* 76	1-670-151-11	TH BOARD	
* 61	A-4414-278-A	MAIN BOARD, COMPLETE (DA50ES:SP,MY)		* 77	1-670-750-11	VOLTAGE SELECTOR BOARD (DA50ES:E,EA,PX)	
* 61	A-4414-279-A	MAIN BOARD, COMPLETE (V55ES)		* 78	3-703-244-00	BUSHING (2104), CORD (EXCEPT US,CND)	
* 61	A-4414-300-A	MAIN BOARD, COMPLETE (DA30ES)		78	4-916-783-01	BUSHING, CORD (US,CND)	
* 62	1-670-150-11	SP TM BOARD		* 79	3-694-225-01	CLAMP	
* 63	1-670-138-11	VIDEO BOARD		△ 80	1-569-008-21	ADAPTOR, CONVERSION 2P (E,EA,PX)	
* 64	A-4414-297-A	S.VIDEO BOARD, COMPLETE		△ 81	1-559-479-11	CORD, POWER (US,CND)	
* 65	4-900-635-01	PANEL, BACK (DA50ES:US)		△ 81	1-776-095-11	CORD, POWER (EXCEPT US,CND,CH)	
* 65	4-900-635-11	PANEL, BACK (DA50ES:CND)		△ 81	1-782-464-21	CORD, POWER (CH)	
* 65	4-900-635-21	PANEL, BACK (DA50ES:AEP,UK,G,EE,AUS)		△ T901	1-431-921-11	TRANSFORMER, POWER (DA50ES:US)	
* 65	4-900-635-31	PANEL, BACK (DA50ES:E,EA,PX)		△ T901	1-431-922-11	TRANSFORMER, POWER (DA50ES:CND)	
* 65	4-900-635-41	PANEL, BACK (DA50ES:SP,MY)		△ T901	1-431-923-11	TRANSFORMER, POWER (DA50ES:AEP,UK,G,EE,AUS,SP,MY/V55ES)	
* 65	4-900-635-51	PANEL, BACK (V55ES)		△ T901	1-431-924-11	TRANSFORMER, POWER (DA50ES:E,EA,PX)	
* 65	4-900-635-61	PANEL, BACK (DA30ES:US)		△ T901	1-431-925-11	TRANSFORMER, POWER (DA30ES:US)	
* 65	4-900-635-71	PANEL, BACK (DA30ES:CND)		△ T901	1-431-926-11	TRANSFORMER, POWER (DA30ES:CND)	
66	3-704-515-21	SCREW (BV/RING)					
67	4-947-010-01	SCREW, FEEDER FIXED					
68	1-693-407-11	TUNER (DA30ES/DA50ES:US,CND,E,EA,PX)					
68	1-693-409-11	TUNER (DA50ES:AEP,UK,G,EE,AUS,SP,MY/V55ES)					

以阴影和 △标志来识别的零部件在安全方面具有关键性。因此只能以规定号码的零部件来更换。

The components identified by mark △ or dotted line with mark △ are critical for safety. Replace only with part number specified.

Les composants identifiés par une marque △ sont critiques pour la sécurité. Ne les remplacer que par une pièce portant le numéro spécifié.

SECTION 6 ELECTRICAL PARTS LIST

- Due to standardization, replacements in the parts list may be different from the parts specified in the diagrams or the components used on the set.
- -XX, -X mean standardized parts, so they may have some difference from the original one.
- Items marked "*" are not stocked since they are seldom required for routine service. Some delay should be anticipated when ordering these items.
- CAPACITORS:
uF: μ F
- RESISTORS
All resistors are in ohms.
METAL: metal-film resistor
METAL OXIDE: Metal Oxide-film resistor
F: nonflammable
- COILS
uH: μ H
- SEMICONDUCTORS
In each case, u: μ , for example:
uA..., μ A..., uPA..., μ PA...,
uPB..., μ PB..., uPC..., μ PC...,
uPD..., μ PD...
- Abbreviation
CND : Canadian
EA : Saudi Arabia
EE : East European
AUS : Australian
G : German
SP : Singapore
MY : Malaysia
CH : Chinese

NOTE:

When indicating parts by reference number, please include the board name.

The components identified by mark Δ or dotted line with mark Δ are critical for safety. Replace only with part number specified.

Les composants identifiés par une marque Δ sont critiques pour la sécurité. Ne les remplacer que par une pièce portant le numéro spécifié.

以阴影和 Δ 标志来识别的零部件在安全方面具有关键性。因此只能以规定号码的零部件来更换。

Ref. No.	Part No.	Description	Remarks	Ref. No.	Part No.	Description	Remarks
*	1-670-132-11	AC BOARD *****		C1412	1-126-049-11	ELECT 22uF 20%	50V
	1-533-217-31	HOLDER, FUSE < CONNECTOR >		C1415	1-126-049-11	ELECT 22uF 20%	50V
* CN902	1-564-687-11	PIN, CONNECTOR 3P (E,EA,PX)		C1416	1-163-251-11	CERAMIC CHIP 100PF 5%	50V
CNP902	1-564-321-00	PIN, CONNECTOR 2P		C1417	1-163-251-11	CERAMIC CHIP 100PF 5%	50V
CNP903	1-564-321-00	PIN, CONNECTOR 2P (EXCEPT E,EA,PX)		C1418	1-163-251-11	CERAMIC CHIP 100PF 5%	50V
* CNP905	1-565-792-11	PIN, CONNECTOR 2P		C1419	1-126-049-11	ELECT 22uF 20%	50V
* CNP907	1-568-951-11	PIN, CONNECTOR 2P		C1420	1-126-049-11	ELECT 22uF 20%	50V
		< DIODE >		C1421	1-126-049-11	ELECT 22uF 20%	50V
D907	8-719-911-19	DIODE 1SS119 < FUSE >		C1460	1-126-049-11	ELECT 22uF 20%	50V
Δ F901	1-532-465-51	FUSE, TIME LAG 3.15A,250V (EXCEPT US,CND)		C1461	1-126-049-11	ELECT 22uF 20%	50V
Δ F901	1-533-312-11	FUSE, GLASS CYLINDRICAL(DIA.5)10A,125V (US,CND)		C1462	1-126-049-11	ELECT 22uF 20%	50V
Δ F902	1-532-464-51	FUSE TIME LAG 2.5A,250V (AEP,UK,G,EE,AUS,SP,MY,CH)		C1463	1-126-049-11	ELECT 22uF 20%	50V
Δ F903	1-532-465-51	FUSE, TIME LAG 3.15A,250V (E,EA,PX) < JACK >		C1464	1-126-049-11	ELECT 22uF 20%	50V
Δ J901	1-251-718-11	OUTLET (2 GANG), AC (US,CND,E,PX,EA,CH)		C1465	1-126-049-11	ELECT 22uF 20%	50V
Δ J901	1-251-079-11	OUTLET, AC (AEP,UK,G,EE,AUS,SP,MY) < RESISTOR >		C1466	1-163-251-11	CERAMIC CHIP 100PF 5%	50V
Δ R901	1-202-725-00	SOLID 3.3M 10% 1/2W (US,CND) < RELAY >		C1467	1-163-251-11	CERAMIC CHIP 100PF 5%	50V
Δ RY901	1-515-999-11	RELAY, POWER *****		C1468	1-163-251-11	CERAMIC CHIP 100PF 5%	50V
*	A-4414-252-A	AMP BOARD, COMPLETE ***** < CAPACITOR >		C1469	1-126-049-11	ELECT 22uF 20%	50V
C1401	1-165-319-11	CERAMIC CHIP 0.1uF	50V	C1470	1-126-049-11	ELECT 22uF 20%	50V
C1403	1-126-049-11	ELECT 22uF 20%	50V	C1471	1-126-049-11	ELECT 22uF 20%	50V
C1404	1-126-049-11	ELECT 22uF 20%	50V			< CONNECTOR >	
C1410	1-126-049-11	ELECT 22uF 20%	50V	CNS1402	1-779-799-11	PIN, CONNECTOR 9P	
C1411	1-126-049-11	ELECT 22uF 20%	50V	* CNP1403	1-568-939-11	PIN, CONNECTOR 12P	
				CNS1406	1-774-292-11	HOUSING,CONNECTOR (PC BOARD)15P	
						< DIODE >	
				D1401	8-719-820-05	DIODE 1SS181	
				D1402	8-719-820-05	DIODE 1SS181	
				D1403	8-719-820-05	DIODE 1SS181	
				D1404	8-719-820-05	DIODE 1SS181	
				D1405	8-719-820-05	DIODE 1SS181	
				D1406	8-719-820-05	DIODE 1SS181	
						< IC >	
				IC1401	8-759-636-55	IC M5218AFP	
				IC1402	8-759-636-55	IC M5218AFP	
				IC1403	8-759-636-55	IC M5218AFP	
						< TRANSISTOR >	
				Q1401	8-729-107-46	TRANSISTOR 2SC3624A-L15	
				Q1402	8-729-107-46	TRANSISTOR 2SC3624A-L15	
				Q1403	8-729-107-46	TRANSISTOR 2SC3624A-L15	
				Q1404	8-729-107-46	TRANSISTOR 2SC3624A-L15	
				Q1405	8-729-107-46	TRANSISTOR 2SC3624A-L15	

Ref. No.	Part No.	Description	Remarks	Ref. No.	Part No.	Description	Remarks
Q1406	8-729-107-46	TRANSISTOR 2SC3624A-L15		R1428	1-216-073-00	METAL CHIP 10K 5%	1/10W
Q1407	8-729-107-46	TRANSISTOR 2SC3624A-L15		R1429	1-216-073-00	METAL CHIP 10K 5%	1/10W
Q1408	8-729-107-46	TRANSISTOR 2SC3624A-L15		R1430	1-216-097-91	RES,CHIP 100K 5%	1/10W
Q1409	8-729-107-46	TRANSISTOR 2SC3624A-L15		R1431	1-216-050-00	RES,CHIP 1.1K 5%	1/10W
Q1410	8-729-027-23	TRANSISTOR DTA114EKA-T146		R1432	1-216-049-91	RES,CHIP 1K 5%	1/10W
Q1411	8-729-027-23	TRANSISTOR DTA114EKA-T146		R1433	1-216-058-00	RES,CHIP 2.4K 5%	1/10W
Q1412	8-729-027-23	TRANSISTOR DTA114EKA-T146		R1434	1-216-070-00	METAL CHIP 7.5K 5%	1/10W
Q1413	8-729-027-23	TRANSISTOR DTA114EKA-T146		R1435	1-216-071-00	METAL CHIP 8.2K 5%	1/10W
Q1414	8-729-027-23	TRANSISTOR DTA114EKA-T146		R1436	1-216-062-00	METAL CHIP 3.6K 5%	1/10W
Q1415	8-729-027-23	TRANSISTOR DTA114EKA-T146		R1437	1-216-073-00	METAL CHIP 10K 5%	1/10W
Q1416	8-729-027-23	TRANSISTOR DTA114EKA-T146		R1438	1-216-073-00	METAL CHIP 10K 5%	1/10W
Q1417	8-729-027-23	TRANSISTOR DTA114EKA-T146		R1439	1-216-073-00	METAL CHIP 10K 5%	1/10W
Q1418	8-729-027-23	TRANSISTOR DTA114EKA-T146		R1440	1-216-097-91	RES,CHIP 100K 5%	1/10W
Q1419	8-729-027-23	TRANSISTOR DTA114EKA-T146		R1441	1-216-050-00	RES,CHIP 1.1K 5%	1/10W
Q1420	8-729-027-23	TRANSISTOR DTA114EKA-T146		R1442	1-216-049-91	RES,CHIP 1K 5%	1/10W
Q1421	8-729-027-23	TRANSISTOR DTA114EKA-T146		R1443	1-216-058-00	RES,CHIP 2.4K 5%	1/10W
Q1422	8-729-027-43	TRANSISTOR DTC114EKA-T146		R1444	1-216-070-00	METAL CHIP 7.5K 5%	1/10W
Q1423	8-729-027-43	TRANSISTOR DTC114EKA-T146		R1445	1-216-071-00	METAL CHIP 8.2K 5%	1/10W
Q1428	8-729-027-43	TRANSISTOR DTC114EKA-T146		R1446	1-216-062-00	METAL CHIP 3.6K 5%	1/10W
Q1429	8-729-027-43	TRANSISTOR DTC114EKA-T146		R1447	1-216-089-91	RES,CHIP 47K 5%	1/10W
Q1430	8-729-027-43	TRANSISTOR DTC114EKA-T146		R1448	1-216-097-91	RES,CHIP 100K 5%	1/10W
Q1431	8-729-027-43	TRANSISTOR DTC114EKA-T146		R1453	1-216-097-91	RES,CHIP 100K 5%	1/10W
Q1432	8-729-027-43	TRANSISTOR DTC114EKA-T146		R1454	1-216-097-91	RES,CHIP 100K 5%	1/10W
Q1433	8-729-027-43	TRANSISTOR DTC114EKA-T146		R1455	1-216-097-91	RES,CHIP 100K 5%	1/10W
Q1434	8-729-027-43	TRANSISTOR DTC114EKA-T146		R1461	1-216-073-00	METAL CHIP 10K 5%	1/10W
Q1435	8-729-027-43	TRANSISTOR DTC114EKA-T146		R1462	1-216-073-00	METAL CHIP 10K 5%	1/10W
Q1436	8-729-027-43	TRANSISTOR DTC114EKA-T146		R1463	1-216-097-91	RES,CHIP 100K 5%	1/10W
Q1437	8-729-027-43	TRANSISTOR DTC114EKA-T146		R1464	1-216-097-91	RES,CHIP 100K 5%	1/10W
Q1451	8-729-107-46	TRANSISTOR 2SC3624A-L15		R1465	1-216-097-91	RES,CHIP 100K 5%	1/10W
Q1452	8-729-107-46	TRANSISTOR 2SC3624A-L15		R1466	1-216-073-00	METAL CHIP 10K 5%	1/10W
Q1453	8-729-107-46	TRANSISTOR 2SC3624A-L15		R1467	1-216-097-91	RES,CHIP 100K 5%	1/10W
Q1454	8-729-107-46	TRANSISTOR 2SC3624A-L15		R1468	1-216-050-00	RES,CHIP 1.1K 5%	1/10W
Q1455	8-729-107-46	TRANSISTOR 2SC3624A-L15		R1469	1-216-115-00	METAL CHIP 560K 5%	1/10W
Q1456	8-729-107-46	TRANSISTOR 2SC3624A-L15		R1470	1-216-115-00	METAL CHIP 560K 5%	1/10W
Q1457	8-729-107-46	TRANSISTOR 2SC3624A-L15		R1471	1-216-115-00	METAL CHIP 560K 5%	1/10W
Q1458	8-729-107-46	TRANSISTOR 2SC3624A-L15		R1472	1-216-049-91	RES,CHIP 1K 5%	1/10W
Q1459	8-729-107-46	TRANSISTOR 2SC3624A-L15		R1473	1-216-058-00	RES,CHIP 2.4K 5%	1/10W
		< RESISTOR >		R1474	1-216-070-00	METAL CHIP 7.5K 5%	1/10W
R1403	1-216-097-91	RES,CHIP 100K 5%	1/10W	R1475	1-216-071-00	METAL CHIP 8.2K 5%	1/10W
R1404	1-216-097-91	RES,CHIP 100K 5%	1/10W	R1476	1-216-062-00	METAL CHIP 3.6K 5%	1/10W
R1405	1-216-097-91	RES,CHIP 100K 5%	1/10W	R1477	1-216-073-00	METAL CHIP 10K 5%	1/10W
R1411	1-216-073-00	METAL CHIP 10K 5%	1/10W	R1478	1-216-073-00	METAL CHIP 10K 5%	1/10W
R1412	1-216-073-00	METAL CHIP 10K 5%	1/10W	R1479	1-216-073-00	METAL CHIP 10K 5%	1/10W
R1413	1-216-097-91	RES,CHIP 100K 5%	1/10W	R1480	1-216-097-91	RES,CHIP 100K 5%	1/10W
R1414	1-216-097-91	RES,CHIP 100K 5%	1/10W	R1481	1-216-050-00	RES,CHIP 1.1K 5%	1/10W
R1415	1-216-097-91	RES,CHIP 100K 5%	1/10W	R1482	1-216-049-91	RES,CHIP 1K 5%	1/10W
R1416	1-216-073-00	METAL CHIP 10K 5%	1/10W	R1483	1-216-058-00	RES,CHIP 2.4K 5%	1/10W
R1417	1-216-097-91	RES,CHIP 100K 5%	1/10W	R1484	1-216-070-00	METAL CHIP 7.5K 5%	1/10W
R1418	1-216-050-00	RES,CHIP 1.1K 5%	1/10W	R1485	1-216-071-00	METAL CHIP 8.2K 5%	1/10W
R1419	1-216-115-00	METAL CHIP 560K 5%	1/10W	R1486	1-216-062-00	METAL CHIP 3.6K 5%	1/10W
R1420	1-216-115-00	METAL CHIP 560K 5%	1/10W	R1487	1-216-073-00	METAL CHIP 10K 5%	1/10W
R1421	1-216-115-00	METAL CHIP 560K 5%	1/10W	R1488	1-216-073-00	METAL CHIP 10K 5%	1/10W
R1422	1-216-049-91	RES,CHIP 1K 5%	1/10W	R1489	1-216-073-00	METAL CHIP 10K 5%	1/10W
R1423	1-216-058-00	RES,CHIP 2.4K 5%	1/10W	R1490	1-216-097-91	RES,CHIP 100K 5%	1/10W
R1424	1-216-070-00	METAL CHIP 7.5K 5%	1/10W	R1491	1-216-050-00	RES,CHIP 1.1K 5%	1/10W
R1425	1-216-071-00	METAL CHIP 8.2K 5%	1/10W	R1492	1-216-049-91	RES,CHIP 1K 5%	1/10W
R1426	1-216-062-00	METAL CHIP 3.6K 5%	1/10W	R1493	1-216-058-00	RES,CHIP 2.4K 5%	1/10W
R1427	1-216-073-00	METAL CHIP 10K 5%	1/10W	R1494	1-216-070-00	METAL CHIP 7.5K 5%	1/10W
				R1495	1-216-071-00	METAL CHIP 8.2K 5%	1/10W
				R1498	1-216-062-00	METAL CHIP 3.6K 5%	1/10W

AMP

AUDIO

Ref. No.	Part No.	Description	Remarks	Ref. No.	Part No.	Description	Remarks
R1499	1-216-121-91	RES,CHIP	1M 5% 1/10W	C306	1-162-291-31	CERAMIC	560PF 10% 50V (DA50ES:AEP,UK,G,EE,AUS)
R1500	1-216-121-91	RES,CHIP	1M 5% 1/10W	C307	1-162-280-31	CERAMIC	82PF 10% 50V (DA50ES:AEP,UK,G,EE,AUS)
R1501	1-216-121-91	RES,CHIP	1M 5% 1/10W	C308	1-162-215-31	CERAMIC	47PF 5% 50V (DA50ES:AEP,UK,G,EE,AUS)
R1502	1-216-121-91	RES,CHIP	1M 5% 1/10W	C309	1-126-009-81	ELECT	100uF 20% 16V
R1503	1-216-121-91	RES,CHIP	1M 5% 1/10W	C310	1-126-009-81	ELECT	100uF 20% 16V
R1504	1-216-121-91	RES,CHIP	1M 5% 1/10W	C311	1-126-009-81	ELECT	100uF 20% 16V
R1505	1-216-121-91	RES,CHIP	1M 5% 1/10W	C312	1-162-282-31	CERAMIC	100PF 10% 50V
R1506	1-216-121-91	RES,CHIP	1M 5% 1/10W	C313	1-161-494-00	CERAMIC	0.022uF 25V
R1507	1-216-121-91	RES,CHIP	1M 5% 1/10W			< CONNECTOR >	
R1508	1-216-121-91	RES,CHIP	1M 5% 1/10W				
R1509	1-216-121-91	RES,CHIP	1M 5% 1/10W				
R1510	1-216-121-91	RES,CHIP	1M 5% 1/10W				

*	A-4414-263-A	AUDIO BOARD, COMPLETE		CNP201	1-784-924-11	PIN, CONNECTOR 8P	
		*****		CNP202	1-779-978-11	PIN, CONNECTOR 3P	
		(DA30ES/DA50ES:US,CND,E,EA,PX,SP,MY/V55ES)		CNP302	1-784-921-11	PIN, CONNECTOR 4P	(DA50ES:AEP,UK,G,EE,AUS)
*	A-4414-264-A	AUDIO BOARD, COMPLETE		CNP304	1-774-289-11	PIN, CONNECTOR (PC BOARD) 15P	
		*****				< IC >	
		(DA50ES:AEP,UK,G,EE,AUS)		IC203	8-759-805-13	IC LC7821	
		< CAPACITOR >		IC205	8-759-634-51	IC M5218AP	
C209	1-162-282-31	CERAMIC	100PF 10% 50V (DA50ES:AEP,UK,G,EE,AUS)	IC301	8-759-450-86	IC BU1922 (DA50ES:AEP,UK,G,EE,AUS)	
C210	1-162-282-31	CERAMIC	100PF 10% 50V (DA50ES:AEP,UK,G,EE,AUS)	IC302	8-759-708-05	IC NJM78L05A	
C212	1-162-282-31	CERAMIC	100PF 10% 50V (DA50ES:AEP,UK,G,EE,AUS)	IC303	8-759-708-12	IC NJM78L12A	
C213	1-162-282-31	CERAMIC	100PF 10% 50V (DA50ES:AEP,UK,G,EE,AUS)			< JACK >	
C214	1-162-282-31	CERAMIC	100PF 10% 50V (DA50ES:AEP,UK,G,EE,AUS)	J210	1-784-920-11	JACK, PIN 6P (PHONO/CD/MD DAT REC OUT)	
C215	1-162-282-31	CERAMIC	100PF 10% 50V (DA50ES:AEP,UK,G,EE,AUS)	J211	1-784-920-11	JACK, PIN 6P (MD DAT IN/TAPE)	
C223	1-162-282-31	CERAMIC	100PF 10% 50V (DA50ES:AEP,UK,G,EE,AUS)			< COIL >	
C259	1-162-282-31	CERAMIC	100PF 10% 50V (DA50ES:AEP,UK,G,EE,AUS)	L301	1-410-521-11	INDUCTOR 100uH (DA50ES:AEP,UK,G,EE,AUS)	
C260	1-162-282-31	CERAMIC	100PF 10% 50V (DA50ES:AEP,UK,G,EE,AUS)			< RESISTOR >	
C262	1-162-282-31	CERAMIC	100PF 10% 50V (DA50ES:AEP,UK,G,EE,AUS)	R222	1-249-417-11	CARBON 1K 5% 1/4W F	
C263	1-162-282-31	CERAMIC	100PF 10% 50V (DA50ES:AEP,UK,G,EE,AUS)	R223	1-249-417-11	CARBON 1K 5% 1/4W F	
C264	1-162-282-31	CERAMIC	100PF 10% 50V (DA50ES:AEP,UK,G,EE,AUS)	R224	1-249-417-11	CARBON 1K 5% 1/4W F	
C265	1-162-282-31	CERAMIC	100PF 10% 50V (DA50ES:AEP,UK,G,EE,AUS)	R225	1-249-417-11	CARBON 1K 5% 1/4W F	
C273	1-162-282-31	CERAMIC	100PF 10% 50V (DA50ES:AEP,UK,G,EE,AUS)	R226	1-249-417-11	CARBON 1K 5% 1/4W F	
C291	1-126-048-81	ELECT	10uF 20% 50V	R227	1-249-417-11	CARBON 1K 5% 1/4W F	
C292	1-126-048-81	ELECT	10uF 20% 50V	R269	1-247-807-31	CARBON 100 5% 1/4W	
C293	1-126-048-81	ELECT	10uF 20% 50V	R271	1-247-807-31	CARBON 100 5% 1/4W	
C294	1-126-048-81	ELECT	10uF 20% 50V	R272	1-249-417-11	CARBON 1K 5% 1/4W F	
C295	1-162-282-31	CERAMIC	100PF 10% 50V	R273	1-249-417-11	CARBON 1K 5% 1/4W F	
C296	1-162-294-31	CERAMIC	0.001uF 10% 50V	R274	1-249-417-11	CARBON 1K 5% 1/4W F	
C301	1-164-159-11	CERAMIC	0.1uF 50V	R275	1-249-417-11	CARBON 1K 5% 1/4W F	
C302	1-162-207-31	CERAMIC	22PF 5% 50V (DA50ES:AEP,UK,G,EE,AUS)	R276	1-249-417-11	CARBON 1K 5% 1/4W F	
C303	1-126-045-11	ELECT	2.2uF 20% 50V (DA50ES:AEP,UK,G,EE,AUS)	R277	1-249-417-11	CARBON 1K 5% 1/4W F	
C304	1-126-044-11	ELECT	1uF 20% 50V (DA50ES:AEP,UK,G,EE,AUS)	R291	1-249-441-11	CARBON 100K 5% 1/4W	
C305	1-162-306-11	CERAMIC	0.01uF 20% 16V (DA50ES:AEP,UK,G,EE,AUS)	R292	1-249-441-11	CARBON 100K 5% 1/4W	
				R295	1-249-417-11	CARBON 1K 5% 1/4W F	
				R296	1-249-425-11	CARBON 4.7K 5% 1/4W F	
				R301	1-247-807-31	CARBON 100 5% 1/4W (DA50ES:AEP,UK,G,EE,AUS)	
				R302	1-247-807-31	CARBON 100 5% 1/4W (DA50ES:AEP,UK,G,EE,AUS)	

AUDIO

BALANCE VOLUME

DIGITAL

Ref. No.	Part No.	Description	Remarks	Ref. No.	Part No.	Description	Remarks
R303	1-249-385-11	CARBON	2.2 5% 1/6W F (DA50ES:AEP,UK,G,EE,AUS)	C1126	1-165-319-11	CERAMIC CHIP	0.1uF 50V
R304	1-249-417-11	CARBON	1K 5% 1/4W F	C1127	1-165-319-11	CERAMIC CHIP	0.1uF 50V
R305	1-249-417-11	CARBON	1K 5% 1/4W F	C1128	1-165-319-11	CERAMIC CHIP	0.1uF 50V
R306	1-247-807-31	CARBON	100 5% 1/4W F	C1129	1-165-319-11	CERAMIC CHIP	0.1uF 50V
R307	1-249-417-11	CARBON	1K 5% 1/4W F	C1130	1-165-319-11	CERAMIC CHIP	0.1uF 50V
R308	1-249-417-11	CARBON	1K 5% 1/4W F	C1131	1-165-319-11	CERAMIC CHIP	0.1uF 50V
R309	1-249-417-11	CARBON	1K 5% 1/4W F	C1132	1-165-319-11	CERAMIC CHIP	0.1uF 50V
R379	1-249-417-11	CARBON	1K 5% 1/4W F	C1133	1-165-319-11	CERAMIC CHIP	0.1uF 50V
		< VIBRATOR >		C1134	1-165-319-11	CERAMIC CHIP	0.1uF 50V
X301	1-579-900-21	VIBRATOR, CRYSTAL 4.33MHz	(DA50ES:AEP,UK,G,EE,AUS)	C1135	1-126-009-81	ELECT	100uF 20% 16V

*	1-670-140-11	BALANCE VOLUME BOARD	*****	C1136	1-165-319-11	CERAMIC CHIP	0.1uF 50V
		< CONNECTOR >		C1137	1-165-319-11	CERAMIC CHIP	0.1uF 50V
CNS404	1-770-398-11	HOUSING, CONNECTOR(PC BOARD)5P		C1138	1-165-319-11	CERAMIC CHIP	0.1uF 50V
		< VARIABLE RESISTOR >		C1140	1-165-319-11	CERAMIC CHIP	0.1uF 50V
RV1140	1-225-663-11	RES, VAR, CARBON 100K/100K (BALANCE)	*****	C1141	1-165-319-11	CERAMIC CHIP	0.1uF 50V

*	A-4414-291-A	DIGITAL BOARD, COMPLETE	*****	C1207	1-126-048-81	ELECT	10uF 20% 50V
		(DA30ES/DA50ES:US,CND,E,EA,PX,SP,MY/V55ES)		C1210	1-165-319-11	CERAMIC CHIP	0.1uF 50V
*	A-4414-292-A	DIGITAL BOARD, COMPLETE	*****	C1211	1-165-319-11	CERAMIC CHIP	0.1uF 50V
		(DA50ES:AEP,UK,G,EE,AUS)		C1212	1-126-048-81	ELECT	10uF 20% 50V
		< CAPACITOR >		C1213	1-126-021-11	ELECT	33uF 20% 25V
C1101	1-163-275-11	CERAMIC CHIP	0.001uF 5% 50V	C1214	1-126-021-11	ELECT	33uF 20% 25V
C1102	1-126-008-51	ELECT	47uF 20% 16V	C1215	1-163-263-11	CERAMIC CHIP	330PF 5% 50V
C1103	1-165-319-11	CERAMIC CHIP	0.1uF 50V	C1215	1-163-131-00	CERAMIC CHIP	390PF 5% 50V
C1104	1-165-319-11	CERAMIC CHIP	0.1uF 50V	C1216	1-165-319-11	CERAMIC CHIP	0.1uF 50V
C1105	1-126-008-51	ELECT	47uF 20% 16V	C1217	1-163-259-91	CERAMIC CHIP	220PF 5% 50V
C1106	1-165-319-11	CERAMIC CHIP	0.1uF 50V	C1218	1-163-259-91	CERAMIC CHIP	220PF 5% 50V
C1107	1-163-021-91	CERAMIC CHIP	0.01uF 10% 50V	C1220	1-126-021-11	ELECT	33uF 20% 25V
C1108	1-165-319-11	CERAMIC CHIP	0.1uF 50V	C1221	1-126-021-11	ELECT	33uF 20% 25V
C1109	1-163-243-11	CERAMIC CHIP	47PF 5% 50V	C1222	1-163-131-00	CERAMIC CHIP	390PF 5% 50V
C1110	1-163-243-11	CERAMIC CHIP	47PF 5% 50V	C1223	1-165-319-11	CERAMIC CHIP	0.1uF 50V
C1111	1-165-319-11	CERAMIC CHIP	0.1uF 50V	C1224	1-163-259-91	CERAMIC CHIP	220PF 5% 50V
C1112	1-163-227-11	CERAMIC CHIP	10PF 0.5PF 50V	C1225	1-163-259-91	CERAMIC CHIP	220PF 5% 50V
C1113	1-165-319-11	CERAMIC CHIP	0.1uF 50V	C1227	1-126-021-11	ELECT	33uF 20% 25V
C1114	1-165-319-11	CERAMIC CHIP	0.1uF 50V	C1228	1-126-021-11	ELECT	33uF 20% 25V
C1115	1-165-319-11	CERAMIC CHIP	0.1uF 50V	C1229	1-163-131-00	CERAMIC CHIP	390PF 5% 50V
C1116	1-163-251-11	CERAMIC CHIP	100PF 5% 50V	C1230	1-163-259-91	CERAMIC CHIP	220PF 5% 50V
C1117	1-165-319-11	CERAMIC CHIP	0.1uF 50V	C1231	1-163-259-91	CERAMIC CHIP	220PF 5% 50V
C1118	1-165-319-11	CERAMIC CHIP	0.1uF 50V	C1232	1-165-319-11	CERAMIC CHIP	0.1uF 50V
C1119	1-126-009-81	ELECT	100uF 20% 16V	C1234	1-130-473-00	MYLAR	0.0015uF 5% 50V
C1120	1-126-009-81	ELECT	100uF 20% 16V	C1235	1-165-319-11	CERAMIC CHIP	0.1uF 50V
C1121	1-165-319-11	CERAMIC CHIP	0.1uF 50V	C1236	1-165-319-11	CERAMIC CHIP	0.1uF 50V
		(DA30ES/DA50ES:US,CND,E,EA,PX,SP,MY/V55ES)		C1237	1-126-048-81	ELECT	10uF 20% 50V
C1122	1-165-319-11	CERAMIC CHIP	0.1uF 50V	C1239	1-165-319-11	CERAMIC CHIP	0.1uF 50V
		(DA30ES/DA50ES:US,CND,E,EA,PX,SP,MY/V55ES)		C1240	1-165-319-11	CERAMIC CHIP	0.1uF 50V
C1123	1-163-251-11	CERAMIC CHIP	100PF 5% 50V	C1241	1-126-048-81	ELECT	10uF 20% 50V
C1124	1-165-319-11	CERAMIC CHIP	0.1uF 50V	C1242	1-126-048-81	ELECT	10uF 20% 50V
C1125	1-165-319-11	CERAMIC CHIP	0.1uF 50V	C1243	1-165-319-11	CERAMIC CHIP	0.1uF 50V
		< VIBRATOR >		C1244	1-165-319-11	CERAMIC CHIP	0.1uF 50V
		< CONNECTOR >		C1245	1-126-048-81	ELECT	10uF 20% 50V
		< VARIABLE RESISTOR >		C1246	1-126-048-81	ELECT	10uF 20% 50V
		< CAPACITOR >		C1247	1-165-319-11	CERAMIC CHIP	0.1uF 50V
		< BALANCE VOLUME BOARD >		C1248	1-165-319-11	CERAMIC CHIP	0.1uF 50V
		< HOUSING, CONNECTOR(PC BOARD)5P >		C1249	1-126-048-81	ELECT	10uF 20% 50V
		< RES, VAR, CARBON 100K/100K (BALANCE) >		C1250	1-126-048-81	ELECT	10uF 20% 50V
		< DIGITAL BOARD, COMPLETE >		C1251	1-165-319-11	CERAMIC CHIP	0.1uF 50V
		< DIGITAL BOARD, COMPLETE >		C1252	1-165-319-11	CERAMIC CHIP	0.1uF 50V
		< ELECT >		C1253	1-126-048-81	ELECT	10uF 20% 50V
		< CERAMIC CHIP >		C1254	1-126-048-81	ELECT	10uF 20% 50V
		< MYLAR >		C1255	1-126-048-81	ELECT	10uF 20% 50V
		< ELECT >		C1256	1-165-319-11	CERAMIC CHIP	0.1uF 50V

DIGITAL

Ref. No.	Part No.	Description	Remarks	Ref. No.	Part No.	Description	Remarks	
C1257	1-165-319-11	CERAMIC CHIP	0.1uF	50V	D1306	8-719-801-78	DIODE 1SS184	
C1258	1-165-319-11	CERAMIC CHIP	0.1uF	50V	D1307	8-719-016-74	DIODE 1SS352	
C1259	1-126-048-81	ELECT	10uF	20%	50V	D1308	8-719-210-33	DIODE EC10DS2
C1263	1-126-021-11	ELECT	33uF	20%	25V		(DA30ES/DA50ES:US,CND,E,EA,PX,SP,MY/V55ES)	
C1264	1-126-021-11	ELECT	33uF	20%	25V	D1309	8-719-801-78	DIODE 1SS184
C1265	1-163-131-00	CERAMIC CHIP	390PF	5%	50V		< GROUND >	
C1266	1-165-319-11	CERAMIC CHIP	0.1uF	50V				
C1267	1-163-259-91	CERAMIC CHIP	220PF	5%	50V	EP1401	1-537-770-21	TERMINAL BOARD, GROUND
C1268	1-163-259-91	CERAMIC CHIP	220PF	5%	50V	EP1402	1-537-770-21	TERMINAL BOARD, GROUND
C1270	1-126-021-11	ELECT	33uF	20%	25V		< IC >	
C1271	1-126-021-11	ELECT	33uF	20%	25V			
C1272	1-163-131-00	CERAMIC CHIP	390PF	5%	50V	IC1101	8-759-294-79	IC CXD8495AQ
C1273	1-165-319-11	CERAMIC CHIP	0.1uF	50V	IC1102	8-759-530-30	IC TC74VHC04FT(EL)	
C1274	1-163-259-91	CERAMIC CHIP	220PF	5%	50V	? IC1103	8-759-553-27	IC MSM531031B-84GS-KR1
C1275	1-163-259-91	CERAMIC CHIP	220PF	5%	50V	IC1104	8-759-524-52	IC TC74VHC574FT(EL)
C1277	1-126-021-11	ELECT	33uF	20%	25V	IC1105	8-759-524-52	IC TC74VHC574FT(EL)
C1278	1-126-021-11	ELECT	33uF	20%	25V	IC1106	8-759-538-17	IC CS4926
C1279	1-163-131-00	CERAMIC CHIP	390PF	5%	50V	IC1107	8-759-523-78	IC TC74VHC00FT(EL)
C1280	1-163-259-91	CERAMIC CHIP	220PF	5%	50V	IC1108	8-759-524-32	IC TC74VHC367FT(EL)
C1281	1-163-259-91	CERAMIC CHIP	220PF	5%	50V	IC1109	8-759-524-48	IC TC74VHC393FT(EL)
C1282	1-165-319-11	CERAMIC CHIP	0.1uF	50V	IC1110	8-759-546-46	IC IDT71V124S15YAU-TL	
C1284	1-130-473-00	MYLAR	0.0015uF	5%	50V	IC1111	8-759-546-46	IC IDT71V124S15YAU-TL
C1285	1-165-319-11	CERAMIC CHIP	0.1uF	50V	IC1112	8-752-391-87	IC CXD2712R	
C1286	1-165-319-11	CERAMIC CHIP	0.1uF	50V	IC1113	8-759-195-02	IC TC7S86F-TE85L	
C1287	1-126-048-81	ELECT	10uF	20%	50V	IC1201	8-759-535-57	IC MB90574PFV-G-127-BND
C1289	1-165-319-11	CERAMIC CHIP	0.1uF	50V	IC1202	8-759-536-23	IC AK4324-VF-E2	
C1301	1-126-048-81	ELECT	10uF	20%	50V	IC1203	8-759-536-23	IC AK4324-VF-E2
C1302	1-165-319-11	CERAMIC CHIP	0.1uF	50V	IC1204	8-759-536-23	IC AK4324-VF-E2	
C1303	1-165-319-11	CERAMIC CHIP	0.1uF	50V	IC1205	8-759-636-55	IC M5218AFP	
C1304	1-165-319-11	CERAMIC CHIP	0.1uF	50V	IC1206	8-759-636-55	IC M5218AFP	
C1305	1-165-319-11	CERAMIC CHIP	0.1uF	50V	IC1207	8-759-636-55	IC M5218AFP	
C1306	1-163-033-91	CERAMIC CHIP	0.022uF	50V	IC1208	8-759-636-55	IC M5218AFP	
C1307	1-165-319-11	CERAMIC CHIP	0.1uF	50V	IC1209	8-759-636-55	IC M5218AFP	
C1308	1-165-319-11	CERAMIC CHIP	0.1uF	50V	IC1210	8-759-462-08	IC AK5352-VF-E2	
C1309	1-165-319-11	CERAMIC CHIP	0.1uF	50V			< TRANSISTOR >	
C1310	1-163-251-11	CERAMIC CHIP	100PF	5%	50V	Q1301	8-729-027-43	TRANSISTOR DTC114EKA-T146
C1311	1-163-251-11	CERAMIC CHIP	100PF	5%	50V	Q1302	8-729-230-49	TRANSISTOR 2SC2712-YG
C1312	1-163-251-11	CERAMIC CHIP	100PF	5%	50V	Q1303	8-729-230-49	TRANSISTOR 2SC2712-YG
C1313	1-163-251-11	CERAMIC CHIP	100PF	5%	50V	Q1304	8-729-230-49	TRANSISTOR 2SC2712-YG
C1314	1-163-021-91	CERAMIC CHIP	0.01uF	10%	50V	Q1305	8-729-230-49	TRANSISTOR 2SC2712-YG
		< CONNECTOR >						
CND1301	1-784-924-11	PIN, CONNECTOR 8P			Q1306	8-729-230-49	TRANSISTOR 2SC2712-YG	
CND1302	1-506-469-11	PIN, CONNECTOR 4P			Q1307	8-729-230-49	TRANSISTOR 2SC2712-YG	
* CND1303	1-568-938-11	PIN, CONNECTOR 11P					(DA50ES:AEP,UK,G,EE,AUS)	
CNE1301	1-764-330-11	PIN, CONNECTOR (PCB) (V TYPE)7P			Q1308	8-729-027-43	TRANSISTOR DTC114EKA-T146	
CNP1301	1-784-927-11	PIN, CONNECTOR 12P					< RESISTOR >	
CNP1303	1-784-922-11	PIN, CONNECTOR 5P			R1101	1-216-121-91	RES,CHIP 1M 5% 1/10W	
CNP1304	1-779-978-11	PIN, CONNECTOR 3P			R1102	1-216-025-91	RES,CHIP 100 5% 1/10W	
CNS1301	1-784-780-11	CONNECTOR, FFC 19P			R1103	1-216-065-91	RES,CHIP 4.7K 5% 1/10W	
* CNS1304	1-568-939-11	PIN, CONNECTOR 12P			R1104	1-216-085-00	METAL CHIP 33K 5% 1/10W	
		< DIODE >			R1105	1-216-082-00	RES,CHIP 24K 5% 1/10W	
D1301	8-719-801-78	DIODE 1SS184			R1106	1-216-066-00	METAL CHIP 5.1K 5% 1/10W	
D1302	8-719-016-74	DIODE 1SS352			R1107	1-216-066-00	METAL CHIP 5.1K 5% 1/10W	
D1303	8-719-016-74	DIODE 1SS352			R1108	1-216-029-00	METAL CHIP 150 5% 1/10W	
D1304	8-719-801-78	DIODE 1SS184			R1109	1-216-104-00	METAL CHIP 200K 5% 1/10W	
D1305	8-719-801-78	DIODE 1SS184			R1110	1-216-065-91	RES,CHIP 4.7K 5% 1/10W	
					R1111	1-216-025-91	RES,CHIP 100 5% 1/10W	
					R1112	1-216-025-91	RES,CHIP 100 5% 1/10W	
					R1113	1-216-025-91	RES,CHIP 100 5% 1/10W	
					R1114	1-216-025-91	RES,CHIP 100 5% 1/10W	
					R1115	1-216-097-91	RES,CHIP 100K 5% 1/10W	

Ref. No.	Part No.	Description	Remarks	Ref. No.	Part No.	Description	Remarks
R1116	1-216-065-91	RES,CHIP	4.7K 5% 1/10W	R1231	1-216-074-00	METAL CHIP	11K 5% 1/10W
R1117	1-216-025-91	RES,CHIP	100 5% 1/10W	R1233	1-216-033-00	METAL CHIP	220 5% 1/10W
R1118	1-216-073-00	METAL CHIP	10K 5% 1/10W	R1234	1-216-037-00	METAL CHIP	330 5% 1/10W
R1119	1-216-065-91	RES,CHIP	4.7K 5% 1/10W	R1235	1-216-037-00	METAL CHIP	330 5% 1/10W
R1120	1-216-025-91	RES,CHIP	100 5% 1/10W	R1236	1-216-065-91	RES,CHIP	4.7K 5% 1/10W
R1121	1-216-041-00	METAL CHIP	470 5% 1/10W	R1237	1-216-065-91	RES,CHIP	4.7K 5% 1/10W
R1122	1-216-065-91	RES,CHIP	4.7K 5% 1/10W	R1238	1-216-073-00	METAL CHIP	10K 5% 1/10W
R1123	1-216-025-91	RES,CHIP	100 5% 1/10W	R1242	1-216-073-00	METAL CHIP	10K 5% 1/10W
R1124	1-216-065-91	RES,CHIP	4.7K 5% 1/10W	R1243	1-216-073-00	METAL CHIP	10K 5% 1/10W
R1125	1-216-025-91	RES,CHIP	100 5% 1/10W	R1244	1-216-001-00	METAL CHIP	10 5% 1/10W
R1126	1-216-025-91	RES,CHIP	100 5% 1/10W	R1245	1-216-001-00	METAL CHIP	10 5% 1/10W
R1127	1-216-025-91	RES,CHIP	100 5% 1/10W	R1246	1-216-001-00	METAL CHIP	10 5% 1/10W
R1128	1-216-025-91	RES,CHIP	100 5% 1/10W	R1247	1-216-001-00	METAL CHIP	10 5% 1/10W
R1129	1-216-025-91	RES,CHIP	100 5% 1/10W	R1248	1-216-001-00	METAL CHIP	10 5% 1/10W
R1130	1-216-025-91	RES,CHIP	100 5% 1/10W	R1249	1-216-001-00	METAL CHIP	10 5% 1/10W
R1131	1-216-065-91	RES,CHIP	4.7K 5% 1/10W	R1252	1-216-071-00	METAL CHIP	8.2K 5% 1/10W
R1132	1-216-295-91	SHORT	0	R1253	1-216-071-00	METAL CHIP	8.2K 5% 1/10W
R1133	1-216-065-91	RES,CHIP	4.7K 5% 1/10W	R1254	1-216-067-00	METAL CHIP	5.6K 5% 1/10W
R1134	1-216-065-91	RES,CHIP	4.7K 5% 1/10W	R1255	1-216-067-00	METAL CHIP	5.6K 5% 1/10W
R1135	1-216-065-91	RES,CHIP	4.7K 5% 1/10W	R1256	1-216-074-00	METAL CHIP	11K 5% 1/10W
R1136	1-216-065-91	RES,CHIP	4.7K 5% 1/10W	R1257	1-216-074-00	METAL CHIP	11K 5% 1/10W
R1137	1-216-065-91	RES,CHIP	4.7K 5% 1/10W	R1259	1-216-033-00	METAL CHIP	220 5% 1/10W
R1138	1-216-065-91	RES,CHIP	4.7K 5% 1/10W	R1260	1-216-071-00	METAL CHIP	8.2K 5% 1/10W
R1139	1-216-065-91	RES,CHIP	4.7K 5% 1/10W	R1261	1-216-071-00	METAL CHIP	8.2K 5% 1/10W
R1140	1-216-065-91	RES,CHIP	4.7K 5% 1/10W	R1263	1-216-067-00	METAL CHIP	5.6K 5% 1/10W
R1141	1-216-065-91	RES,CHIP	4.7K 5% 1/10W	R1264	1-216-067-00	METAL CHIP	5.6K 5% 1/10W
R1142	1-216-065-91	RES,CHIP	4.7K 5% 1/10W	R1268	1-216-074-00	METAL CHIP	11K 5% 1/10W
R1143	1-216-097-91	RES,CHIP	100K 5% 1/10W	R1269	1-216-074-00	METAL CHIP	11K 5% 1/10W
R1144	1-216-025-91	RES,CHIP	100 5% 1/10W	R1271	1-216-033-00	METAL CHIP	220 5% 1/10W
R1145	1-216-081-00	METAL CHIP	22K 5% 1/10W	R1272	1-216-071-00	METAL CHIP	8.2K 5% 1/10W
R1146	1-216-025-91	RES,CHIP	100 5% 1/10W	R1277	1-216-071-00	METAL CHIP	8.2K 5% 1/10W
R1147	1-216-025-91	RES,CHIP	100 5% 1/10W	R1278	1-216-074-00	METAL CHIP	11K 5% 1/10W
R1148	1-216-025-91	RES,CHIP	100 5% 1/10W	R1279	1-216-067-00	METAL CHIP	5.6K 5% 1/10W
R1149	1-216-065-91	RES,CHIP	4.7K 5% 1/10W	R1280	1-216-067-00	METAL CHIP	5.6K 5% 1/10W
R1150	1-216-065-91	RES,CHIP	4.7K 5% 1/10W	R1281	1-216-074-00	METAL CHIP	11K 5% 1/10W
R1151	1-216-065-91	RES,CHIP	4.7K 5% 1/10W	R1283	1-216-033-00	METAL CHIP	220 5% 1/10W
R1152	1-216-065-91	RES,CHIP	4.7K 5% 1/10W (DA50ES:AEP,UK,G,EE,AUS)	R1284	1-216-037-00	METAL CHIP	330 5% 1/10W
R1152	1-216-089-91	RES,CHIP	47K 5% 1/10W	R1285	1-216-037-00	METAL CHIP	330 5% 1/10W
R1153	1-216-065-91	RES,CHIP	4.7K 5% 1/10W	R1286	1-216-065-91	RES,CHIP	4.7K 5% 1/10W
R1201	1-216-073-00	METAL CHIP	10K 5% 1/10W	R1287	1-216-065-91	RES,CHIP	4.7K 5% 1/10W
R1202	1-216-071-00	METAL CHIP	8.2K 5% 1/10W	R1288	1-216-073-00	METAL CHIP	10K 5% 1/10W
R1203	1-216-071-00	METAL CHIP	8.2K 5% 1/10W	R1292	1-216-073-00	METAL CHIP	10K 5% 1/10W
R1204	1-216-067-00	METAL CHIP	5.6K 5% 1/10W	R1293	1-216-073-00	METAL CHIP	10K 5% 1/10W
R1205	1-216-067-00	METAL CHIP	5.6K 5% 1/10W	R1301	1-216-097-91	RES,CHIP	100K 5% 1/10W
R1206	1-216-074-00	METAL CHIP	11K 5% 1/10W	R1302	1-216-057-00	METAL CHIP	2.2K 5% 1/10W
R1207	1-216-074-00	METAL CHIP	11K 5% 1/10W	R1303	1-216-025-91	RES,CHIP	100 5% 1/10W
R1208	1-216-073-00	METAL CHIP	10K 5% 1/10W	R1304	1-216-057-00	METAL CHIP	2.2K 5% 1/10W
R1209	1-216-033-00	METAL CHIP	220 5% 1/10W	R1305	1-216-057-00	METAL CHIP	2.2K 5% 1/10W
R1210	1-216-071-00	METAL CHIP	8.2K 5% 1/10W	R1306	1-216-057-00	METAL CHIP	2.2K 5% 1/10W
R1211	1-216-071-00	METAL CHIP	8.2K 5% 1/10W	R1307	1-216-057-00	METAL CHIP	2.2K 5% 1/10W
R1213	1-216-067-00	METAL CHIP	5.6K 5% 1/10W	R1308	1-216-057-00	METAL CHIP	2.2K 5% 1/10W
R1214	1-216-067-00	METAL CHIP	5.6K 5% 1/10W	R1309	1-216-057-00	METAL CHIP	2.2K 5% 1/10W
R1218	1-216-074-00	METAL CHIP	11K 5% 1/10W	R1310	1-216-057-00	METAL CHIP	2.2K 5% 1/10W
R1219	1-216-074-00	METAL CHIP	11K 5% 1/10W	R1311	1-216-057-00	METAL CHIP	2.2K 5% 1/10W
R1221	1-216-033-00	METAL CHIP	220 5% 1/10W	R1312	1-216-057-00	METAL CHIP	2.2K 5% 1/10W
R1222	1-216-071-00	METAL CHIP	8.2K 5% 1/10W	R1313	1-216-057-00	METAL CHIP	2.2K 5% 1/10W
R1227	1-216-071-00	METAL CHIP	8.2K 5% 1/10W	R1314	1-216-057-00	METAL CHIP	2.2K 5% 1/10W
R1228	1-216-074-00	METAL CHIP	11K 5% 1/10W	R1315	1-216-073-00	METAL CHIP	10K 5% 1/10W
R1229	1-216-067-00	METAL CHIP	5.6K 5% 1/10W	R1316	1-216-073-00	METAL CHIP	10K 5% 1/10W
R1230	1-216-067-00	METAL CHIP	5.6K 5% 1/10W	R1317	1-216-065-91	RES,CHIP	4.7K 5% 1/10W

DIGITAL

DISPLAY

Ref. No.	Part No.	Description	Remarks
R1318	1-216-065-91	RES,CHIP 4.7K	5% 1/10W
R1319	1-216-065-91	RES,CHIP 4.7K	5% 1/10W
R1320	1-216-073-00	METAL CHIP 10K	5% 1/10W
R1321	1-216-057-00	METAL CHIP 2.2K	5% 1/10W
R1322	1-216-057-00	METAL CHIP 2.2K	5% 1/10W
R1323	1-216-057-00	METAL CHIP 2.2K	5% 1/10W
R1324	1-216-057-00	METAL CHIP 2.2K	5% 1/10W
R1325	1-216-065-91	RES,CHIP 4.7K	5% 1/10W
R1326	1-216-073-00	METAL CHIP 10K	5% 1/10W
R1327	1-216-689-11	METAL CHIP 39K	0.5% 1/10W
R1328	1-216-073-00	METAL CHIP 10K	5% 1/10W
R1330	1-216-689-11	METAL CHIP 39K	0.5% 1/10W
R1331	1-216-025-91	RES,CHIP 100	5% 1/10W
R1332	1-216-025-91	RES,CHIP 100	5% 1/10W
R1333	1-216-025-91	RES,CHIP 100	5% 1/10W
R1334	1-216-073-00	METAL CHIP 10K	5% 1/10W
R1337	1-216-105-91	RES,CHIP 220K	5% 1/10W
R1338	1-216-041-00	METAL CHIP 470	5% 1/10W
R1339	1-216-041-00	METAL CHIP 470	5% 1/10W
R1340	1-216-041-00	METAL CHIP 470	5% 1/10W
R1341	1-216-073-00	METAL CHIP 10K	5% 1/10W
R1342	1-216-073-00	METAL CHIP 10K	5% 1/10W
R1343	1-216-073-00	METAL CHIP 10K	5% 1/10W
R1344	1-216-073-00	METAL CHIP 10K	5% 1/10W
R1345	1-216-049-91	RES,CHIP 1K	5% 1/10W
R1346	1-216-049-91	RES,CHIP 1K	5% 1/10W
R1347	1-216-049-91	RES,CHIP 1K	5% 1/10W
R1348	1-216-049-91	RES,CHIP 1K	5% 1/10W
R1349	1-216-049-91	RES,CHIP 1K	5% 1/10W
R1350	1-216-049-91	RES,CHIP 1K	5% 1/10W
R1351	1-216-025-91	RES,CHIP 100	5% 1/10W
R1352	1-216-049-91	RES,CHIP 1K	5% 1/10W
R1353	1-216-065-91	RES,CHIP 4.7K	5% 1/10W
R1354	1-216-065-91	RES,CHIP 4.7K	5% 1/10W
R1355	1-216-065-91	RES,CHIP 4.7K	5% 1/10W
R1356	1-216-065-91	RES,CHIP 4.7K	5% 1/10W
R1357	1-216-065-91	RES,CHIP 4.7K	5% 1/10W
R1358	1-216-065-91	RES,CHIP 4.7K	5% 1/10W
R1359	1-216-065-91	RES,CHIP 4.7K	5% 1/10W
R1360	1-216-065-91	RES,CHIP 4.7K	5% 1/10W
R1361	1-216-065-91	RES,CHIP 4.7K	5% 1/10W
R1362	1-216-049-91	RES,CHIP 1K	5% 1/10W
R1363	1-216-049-91	RES,CHIP 1K	5% 1/10W
R1364	1-216-049-91	RES,CHIP 1K	5% 1/10W
R1365	1-216-049-91	RES,CHIP 1K	5% 1/10W
R1366	1-216-049-91	RES,CHIP 1K	5% 1/10W
R1367	1-216-049-91	RES,CHIP 1K	5% 1/10W
R1368	1-216-049-91	RES,CHIP 1K	5% 1/10W
R1369	1-216-049-91	RES,CHIP 1K	5% 1/10W
R1370	1-216-049-91	RES,CHIP 1K	5% 1/10W
R1371	1-216-049-91	RES,CHIP 1K	5% 1/10W
R1372	1-216-049-91	RES,CHIP 1K	5% 1/10W
R1373	1-216-049-91	RES,CHIP 1K	5% 1/10W
R1374	1-216-049-91	RES,CHIP 1K	5% 1/10W
R1375	1-216-049-91	RES,CHIP 1K	5% 1/10W
R1376	1-216-049-91	RES,CHIP 1K	5% 1/10W
R1377	1-216-065-91	RES,CHIP 4.7K	5% 1/10W
R1378	1-216-073-00	METAL CHIP 10K	5% 1/10W
R1379	1-216-073-00	METAL CHIP 10K	5% 1/10W
R1380	1-216-073-00	METAL CHIP 10K	5% 1/10W

(DA30ES/DA50ES:US,CND,E,EA,PX,SP,MY/V55ES)

Ref. No.	Part No.	Description	Remarks
R1381	1-216-073-00	METAL CHIP 10K	5% 1/10W (DA50ES:AEP,UK,G,EE,AUS)
R1383	1-216-073-00	METAL CHIP 10K	5% 1/10W
R1384	1-216-049-91	RES,CHIP 1K	5% 1/10W
R1385	1-216-049-91	RES,CHIP 1K	5% 1/10W
R1386	1-216-049-91	RES,CHIP 1K	5% 1/10W
R1387	1-216-049-91	RES,CHIP 1K	5% 1/10W
R1388	1-216-049-91	RES,CHIP 1K	5% 1/10W
R1389	1-216-049-91	RES,CHIP 1K	5% 1/10W
R1390	1-216-049-91	RES,CHIP 1K	5% 1/10W
R1391	1-216-049-91	RES,CHIP 1K	5% 1/10W
R1392	1-216-049-91	RES,CHIP 1K	5% 1/10W
R1393	1-216-049-91	RES,CHIP 1K	5% 1/10W
R1394	1-216-049-91	RES,CHIP 1K	5% 1/10W
R1395	1-216-049-91	RES,CHIP 1K	5% 1/10W
R1396	1-216-049-91	RES,CHIP 1K	5% 1/10W
R1397	1-216-049-91	RES,CHIP 1K	5% 1/10W
R1401	1-216-080-00	METAL CHIP 20K	5% 1/10W
R1402	1-216-080-00	METAL CHIP 20K	5% 1/10W
< VIBRATOR >			
X1101	1-567-970-11	VIBRATOR, CRYSTAL 24.576Hz	
X1102	1-767-949-21	VIBRATOR, CERAMIC 49.152MHz	
X1301	1-767-359-11	VIBRATOR, CERAMIC 4MHz	

*	A-4414-286-A	DISPLAY BOARD, COMPLETE(DA50ES:US,CND)	

*	A-4414-287-A	DISPLAY BOARD, COMPLETE	

*	A-4414-288-A	DISPLAY BOARD, COMPLETE	

*	A-4414-289-A	DISPLAY BOARD, COMPLETE(DA50ES:E,EA,PX)	

*	A-4414-299-A	DISPLAY BOARD, COMPLETE(DA30ES)	

*	4-921-941-01	CUSHION (FL)	
*	4-990-797-01	HOLDER (FL)	
< CAPACITOR >			
C101	1-126-786-11	ELECT 47uF	20% 16V
C102	1-163-021-91	CERAMIC CHIP 0.01uF	10% 50V
C103	1-163-021-91	CERAMIC CHIP 0.01uF	10% 50V
C104	1-126-795-11	ELECT 10uF	20% 50V
C105	1-104-905-11	CAPACITOR 0.22F	5.5V
C106	1-165-319-11	CERAMIC CHIP 0.1uF	50V
C107	1-165-319-11	CERAMIC CHIP 0.1uF	50V
C108	1-165-319-11	CERAMIC CHIP 0.1uF	50V
C109	1-165-319-11	CERAMIC CHIP 0.1uF	50V
C110	1-165-319-11	CERAMIC CHIP 0.1uF	50V
C111	1-165-319-11	CERAMIC CHIP 0.1uF	50V
C112	1-165-319-11	CERAMIC CHIP 0.1uF	50V
C113	1-165-319-11	CERAMIC CHIP 0.1uF	50V
C114	1-165-319-11	CERAMIC CHIP 0.1uF	50V
C115	1-165-319-11	CERAMIC CHIP 0.1uF	50V
C116	1-126-786-11	ELECT 47uF	20% 16V
C117	1-165-319-11	CERAMIC CHIP 0.1uF	50V
C118	1-165-319-11	CERAMIC CHIP 0.1uF	50V
C119	1-126-786-11	ELECT 47uF	20% 16V
C120	1-165-319-11	CERAMIC CHIP 0.1uF	50V

Ref. No.	Part No.	Description	Remarks	Ref. No.	Part No.	Description	Remarks
C121	1-165-319-11	CERAMIC CHIP	0.1uF	50V		< JUMPER RESISTOR >	
C122	1-165-319-11	CERAMIC CHIP	0.1uF	50V			
C123	1-165-319-11	CERAMIC CHIP	0.1uF	50V	JW11	1-216-295-91	SHORT 0 (DA50ES:E,EA,PX)
C124	1-126-382-11	ELECT	100uF	20% 10V	JW12	1-216-295-91	SHORT 0 (DA50ES:SP,MY/V55ES)
C125	1-126-382-11	ELECT	100uF	20% 10V	JW14	1-216-295-91	SHORT 0 (DA50ES:AEP,UK,G,EE,AUS)
C126	1-115-871-11	ELECT	1uF	20% 50V	JW21	1-216-295-91	SHORT 0 (DA30ES)
C127	1-115-871-11	ELECT	1uF	20% 50V	JW22	1-216-295-91	SHORT 0 (DA50ES/V55ES)
C131	1-165-319-11	CERAMIC CHIP	0.1uF	50V		< COIL >	
C132	1-165-319-11	CERAMIC CHIP	0.1uF	50V			
C134	1-107-818-11	CAPACITOR	1F	5.5V	L101	1-500-425-11	FERRITE
C914	1-126-795-11	ELECT	10uF	20% 50V		< TRANSISTOR >	
C915	1-126-795-11	ELECT	10uF	20% 50V			
		< CONNECTOR >					
* CNP105	1-568-949-11	PIN, CONNECTOR	11P		Q101	8-729-027-43	TRANSISTOR DTC114EKA-T146
CNP106	1-564-721-11	PIN, CONNECTOR (SMALL TYPE)	5P		Q102	8-729-027-43	TRANSISTOR DTC114EKA-T146
* CNP107	1-564-719-11	PIN, CONNECTOR (SMALL TYPE) 3P			Q103	8-729-027-43	TRANSISTOR DTC114EKA-T146
		(DA50ES:AEP,UK,G,EE,AUS)			Q104	8-729-230-49	TRANSISTOR 2SC2712-YG
* CNS101	1-565-482-11	CONNECTOR, BOARD TO BOARD	6P		Q105	8-729-230-49	TRANSISTOR 2SC2712-YG
		< DIODE >			Q106	8-729-027-43	TRANSISTOR DTC114EKA-T146
D101	8-719-016-74	DIODE	1SS352		Q107	8-729-027-43	TRANSISTOR DTC114EKA-T146
D102	8-719-210-33	DIODE	EC10DS2		Q108	8-729-027-43	TRANSISTOR DTC114EKA-T146
D103	8-719-016-74	DIODE	1SS352		Q109	8-729-027-43	TRANSISTOR DTC114EKA-T146
D104	8-719-016-74	DIODE	1SS352		Q110	8-729-027-43	TRANSISTOR DTC114EKA-T146
D107	8-719-046-39	DIODE	SEL5821A-TH15	(SOUND FIELD ON/OFF)	Q111	8-729-027-43	TRANSISTOR DTC114EKA-T146
D108	8-719-313-45	DIODE	SEL6810A-TH10 (SUR)		Q112	8-729-027-43	TRANSISTOR DTC114EKA-T146
D109	8-719-313-45	DIODE	SEL6810A-TH10 (EO)		Q113	8-729-027-43	TRANSISTOR DTC114EKA-T146
D110	8-719-313-45	DIODE	SEL6810A-TH10 (INDEX)		Q114	8-729-027-43	TRANSISTOR DTC114EKA-T146
D111	8-719-064-55	DIODE	SEC1803C		Q115	8-729-027-43	TRANSISTOR DTC114EKA-T146
D112	8-719-064-55	DIODE	SEC1803C		Q116	8-729-027-43	TRANSISTOR DTC114EKA-T146
D113	8-719-064-55	DIODE	SEC1803C		Q118	8-729-027-43	TRANSISTOR DTC114EKA-T146
D114	8-719-064-55	DIODE	SEC1803C		Q119	8-729-027-43	TRANSISTOR DTC114EKA-T146
D115	8-719-064-55	DIODE	SEC1803C		Q120	8-729-027-43	TRANSISTOR DTC114EKA-T146
D116	8-719-064-56	DIODE	SEC2484C		Q121	8-729-027-43	TRANSISTOR DTC114EKA-T146
D117	8-719-064-56	DIODE	SEC2484C		Q122	8-729-027-43	TRANSISTOR DTC114EKA-T146
D118	8-719-064-56	DIODE	SEC2484C		Q123	8-729-027-43	TRANSISTOR DTC114EKA-T146
D119	8-719-064-56	DIODE	SEC2484C		Q124	8-729-027-43	TRANSISTOR DTC114EKA-T146
D120	8-719-064-56	DIODE	SEC2484C		Q125	8-729-027-43	TRANSISTOR DTC114EKA-T146
D121	8-719-313-45	DIODE	SEL6810A-TH10 (BASS BOOST)		Q126	8-729-027-43	TRANSISTOR DTC114EKA-T146
D124	8-719-059-14	DIODE	SID313BP-TP19		Q127	8-729-027-43	TRANSISTOR DTC114EKA-T146
D125	8-719-059-14	DIODE	SID313BP-TP19		Q128	8-729-027-43	TRANSISTOR DTC114EKA-T146
D126	8-719-016-74	DIODE	1SS352		Q129	8-729-010-35	TRANSISTOR MSD602-RT1
D127	8-719-016-74	DIODE	1SS352		Q130	8-729-010-35	TRANSISTOR MSD602-RT1
D128	8-719-064-57	DIODE	SID5K23CTP15		Q971	8-729-822-05	TRANSISTOR 2SD1622-ST-TD
D129	8-719-801-78	DIODE	1SS184			< RESISTOR >	
D913	8-719-977-81	DIODE	DTZ33B		R101	1-219-163-11	RES,CHIP 1.1 5% 1/10W
		< FILTER >			R103	1-216-089-91	RES,CHIP 47K 5% 1/10W
FL101	1-517-781-11	INDICATOR TUBE, FLUORESCENT			R104	1-216-001-00	METAL CHIP 10 5% 1/10W
		< IC >			R105	1-216-001-00	METAL CHIP 10 5% 1/10W
IC101	8-749-014-66	IC	NJL56H400A		R106	1-216-001-00	METAL CHIP 10 5% 1/10W
IC102	8-759-535-50	IC	MB90553PF-G-121-BND		R107	1-216-001-00	METAL CHIP 10 5% 1/10W
IC103	8-759-823-87	IC	LB1638M		R108	1-216-097-91	RES,CHIP 100K 5% 1/10W
IC104	8-759-463-11	IC	MSC1162AGS-BK		R109	1-216-097-91	RES,CHIP 100K 5% 1/10W
IC105	8-759-389-51	IC	MSC1164GS-KR1		R110	1-216-073-00	METAL CHIP 10K 5% 1/10W
IC106	8-759-545-07	IC	TMP87C447U-4A06		R111	1-216-065-91	RES,CHIP 4.7K 5% 1/10W
IC107	8-759-925-76	IC	SN74HC08ANS		R112	1-216-073-00	METAL CHIP 10K 5% 1/10W
					R113	1-216-073-00	METAL CHIP 10K 5% 1/10W
					R114	1-216-053-00	METAL CHIP 1.5K 5% 1/10W
					R115	1-216-073-00	METAL CHIP 10K 5% 1/10W
					R116	1-216-073-00	METAL CHIP 10K 5% 1/10W

DISPLAY

F.VIDEO

Ref. No.	Part No.	Description	Quantity	Value	Remarks
R117	1-216-081-00	METAL CHIP	22K	5%	1/10W
R118	1-216-081-00	METAL CHIP	22K	5%	1/10W
R119	1-216-049-91	RES,CHIP	1K	5%	1/10W
R120	1-216-049-91	RES,CHIP	1K	5%	1/10W
R121	1-216-049-91	RES,CHIP	1K	5%	1/10W
R122	1-216-073-00	METAL CHIP	10K	5%	1/10W
R123	1-216-049-91	RES,CHIP	1K	5%	1/10W
R124	1-216-029-00	METAL CHIP	150	5%	1/10W
R125	1-216-065-91	RES,CHIP	4.7K	5%	1/10W
R126	1-216-073-00	METAL CHIP	10K	5%	1/10W
R127	1-216-065-91	RES,CHIP	4.7K	5%	1/10W
R128	1-216-065-91	RES,CHIP	4.7K	5%	1/10W
R129	1-216-049-91	RES,CHIP	1K	5%	1/10W
R130	1-216-065-91	RES,CHIP	4.7K	5%	1/10W
R131	1-216-065-91	RES,CHIP	4.7K	5%	1/10W
R132	1-216-065-91	RES,CHIP	4.7K	5%	1/10W
R133	1-216-037-00	METAL CHIP	330	5%	1/10W
R134	1-216-037-00	METAL CHIP	330	5%	1/10W
R136	1-216-037-00	METAL CHIP	330	5%	1/10W
R137	1-216-037-00	METAL CHIP	330	5%	1/10W
R138	1-216-057-00	METAL CHIP	2.2K	5%	1/10W
R139	1-216-057-00	METAL CHIP	2.2K	5%	1/10W
R140	1-216-037-00	METAL CHIP	330	5%	1/10W
R141	1-216-041-00	METAL CHIP	470	5%	1/10W
R142	1-216-045-00	METAL CHIP	680	5%	1/10W
R143	1-216-049-91	RES,CHIP	1K	5%	1/10W
R144	1-216-053-00	METAL CHIP	1.5K	5%	1/10W
R145	1-216-037-00	METAL CHIP	330	5%	1/10W
R146	1-216-041-00	METAL CHIP	470	5%	1/10W
R147	1-216-045-00	METAL CHIP	680	5%	1/10W
R148	1-216-049-91	RES,CHIP	1K	5%	1/10W
R149	1-216-053-00	METAL CHIP	1.5K	5%	1/10W
R150	1-216-057-00	METAL CHIP	2.2K	5%	1/10W
R151	1-216-037-00	METAL CHIP	330	5%	1/10W
R152	1-216-041-00	METAL CHIP	470	5%	1/10W
R153	1-216-045-00	METAL CHIP	680	5%	1/10W
R154	1-216-037-00	METAL CHIP	330	5%	1/10W
R161	1-216-049-91	RES,CHIP	1K	5%	1/10W
R162	1-216-049-91	RES,CHIP	1K	5%	1/10W
R163	1-216-073-00	METAL CHIP	10K	5%	1/10W
R164	1-216-097-91	RES,CHIP	100K	5%	1/10W
R165	1-216-073-00	METAL CHIP	10K	5%	1/10W
R166	1-216-097-91	RES,CHIP	100K	5%	1/10W
R167	1-216-302-00	METAL CHIP	2.7	5%	1/10W
R168	1-216-049-91	RES,CHIP	1K	5%	1/10W
R169	1-216-049-91	RES,CHIP	1K	5%	1/10W
R170	1-216-049-91	RES,CHIP	1K	5%	1/10W
R171	1-216-049-91	RES,CHIP	1K	5%	1/10W
R172	1-216-049-91	RES,CHIP	1K	5%	1/10W
R173	1-216-097-91	RES,CHIP	100K	5%	1/10W
R175	1-216-049-91	RES,CHIP	1K	5%	1/10W (DA50ES:AEP,UK,G,EE,AUS,SP,MY/V55ES)
R176	1-216-073-00	METAL CHIP	10K	5%	1/10W (DA50ES:AEP,UK,G,EE,AUS)
R177	1-216-073-00	METAL CHIP	10K	5%	1/10W (DA30ES/DA50ES:US,CND,E,EA,PX,SP,MY/V55ES)
R915	1-216-067-00	METAL CHIP	5.6K	5%	1/10W
RR10	1-216-065-91	RES,CHIP	4.7K	5%	1/10W (DA30ES/DA50ES:US,CND,E,EA,PX,SP,MY/V55ES)

Ref. No.	Part No.	Description	Quantity	Value	Remarks
RR11	1-216-037-00	METAL CHIP	330	5%	1/10W (DA50ES:E,EA,PX,SP,MY/V55ES)
RR12	1-216-041-00	METAL CHIP	470	5%	1/10W (DA50ES:SP,MY/V55ES)
RR20	1-216-065-91	RES,CHIP	4.7K	5%	1/10W
RR21	1-216-037-00	METAL CHIP	330	5%	1/10W
RR22	1-216-041-00	METAL CHIP	470	5%	1/10W (DA50ES/V55ES)
< SWITCH >					
S103	1-572-184-11	SWITCH, KEYBOARD (INPUT MODE)			
S104	1-572-184-11	SWITCH, KEYBOARD (SLEEP)			
S105	1-572-184-11	SWITCH, KEYBOARD (DIMMER)			
S106	1-572-184-11	SWITCH, KEYBOARD (TUNING +)			
S107	1-572-184-11	SWITCH, KEYBOARD (TUNING -)			
S108	1-572-184-11	SWITCH, KEYBOARD (FM MODE)			
S109	1-572-184-11	SWITCH, KEYBOARD (DOWN)			
S110	1-572-184-11	SWITCH, KEYBOARD (UP)			
S111	1-572-184-11	SWITCH, KEYBOARD (LEFT)			
S112	1-572-184-11	SWITCH, KEYBOARD (CURSOR MODE)			
S113	1-572-184-11	SWITCH, KEYBOARD (EQUALIZER)			
S114	1-572-184-11	SWITCH, KEYBOARD (MODE)			
S115	1-572-184-11	SWITCH, KEYBOARD (GENRE)			
S116	1-572-184-11	SWITCH, KEYBOARD (BASS BOOST)			
S117	1-572-184-11	SWITCH, KEYBOARD (RIGHT)			
S118	1-572-184-11	SWITCH, KEYBOARD (SET UP)			
S119	1-572-184-11	SWITCH, KEYBOARD (SOUND FIELD ON/OFF)			
S120	1-572-184-11	SWITCH, KEYBOARD (MEMORY)			
S121	1-572-184-11	SWITCH, KEYBOARD (DISPLAY)			
< VIBRATOR >					
X101	1-767-359-11	VIBRATOR, CERAMIC 4MHz			
X102	1-767-938-21	VIBRATOR, CERAMIC 7.28MHz			

*	1-670-145-11	F.VIDEO BOARD			

< CAPACITOR >					
C299	1-164-159-11	CERAMIC	0.1uF		50V
C890	1-162-282-31	CERAMIC	100PF	10%	50V (DA50ES:AEP,UK,G,EE,AUS)
C891	1-162-282-31	CERAMIC	100PF	10%	50V (DA50ES:AEP,UK,G,EE,AUS)
< CONNECTOR >					
* CN804	1-564-725-11	PIN, CONNECTOR (SMALL TYPE) 9P			
< JACK >					
J809	1-784-808-11	TERMINAL, S (S VIDEO 3)			
J810	1-779-798-11	JACK, PIN (BLOCK) (L TYPE) 3P			(AUDIO 3/ VIDEO 3)
< RESISTOR >					
R890	1-249-417-11	CARBON	1K	5%	1/4W F
R891	1-249-417-11	CARBON	1K	5%	1/4W F
R892	1-247-804-11	CARBON	75	5%	1/4W
R893	1-247-804-11	CARBON	75	5%	1/4W
R894	1-247-804-11	CARBON	75	5%	1/4W

FUNCTION

HP

INPUT

LED

MAIN

Ref. No.	Part No.	Description	Remarks	Ref. No.	Part No.	Description	Remarks
*	1-670-146-11	FUNCTION BOARD *****				< JACK >	
		< CONNECTOR >		J3301	1-770-905-11	JACK, PIN 1P (DVD/LD IN COAXIAL)	
		< DIODE >				< RESISTOR >	
* CNP102	1-569-798-11	PLUG, CONNECTOR 6P		R3301	1-216-025-91	RES,CHIP 100 5% 1/10W	
		< DIODE >		R3303	1-216-025-91	RES,CHIP 100 5% 1/10W	
D123	8-719-313-45	DIODE SEL6810A-TH10 (MUTING)		R3304	1-216-025-91	RES,CHIP 100 5% 1/10W	
		< RESISTOR >		R3305	1-216-115-00	METAL CHIP 560K 5% 1/10W	
R102	1-249-411-11	CARBON 330 5% 1/4W		R3309	1-216-073-00	METAL CHIP 10K 5% 1/10W	
R159	1-249-417-11	CARBON 1K 5% 1/4W F		R3310	1-216-025-91	RES,CHIP 100 5% 1/10W	
R160	1-249-419-11	CARBON 1.5K 5% 1/4W F		R3312	1-216-025-91	RES,CHIP 100 5% 1/10W	
		< VARIABLE RESISTOR >		R3313	1-216-025-91	RES,CHIP 100 5% 1/10W	
RV101	1-467-808-21	ENCODER, ROTARY (FUNCTION)		R3314	1-216-025-91	RES,CHIP 100 5% 1/10W	
		< SWITCH >		R3315	1-216-049-91	RES,CHIP 1K 5% 1/10W	
S126	1-572-184-11	SWITCH, KEYBOARD (MODE)		*****			
S127	1-572-184-11	SWITCH, KEYBOARD (MUTING)		*	1-670-147-11	LED BOARD *****	
*****						< DIODE >	
*	1-670-139-11	HP BOARD *****		D122	8-719-070-83	DIODE SELU5E20C-TP15	
		< CONNECTOR >		*****			
* CNP502	1-564-720-11	PIN, CONNECTOR (SMALL TYPE) 4P		*	A-4414-276-A	MAIN BOARD, COMPLETE ***** (DA50ES:US,CND,E,EA,PX)	
		< JACK >		*	A-4414-277-A	MAIN BOARD, COMPLETE ***** (DA50ES:AEP,UK,G,EE,AUS)	
J701	1-568-519-41	JACK, LARGE TYPE (PHONES)		*	A-4414-278-A	MAIN BOARD, COMPLETE (DA50ES:SP,MY) *****	
*****				*	A-4414-279-A	MAIN BOARD, COMPLETE (V55ES) *****	
*	A-4414-295-A	INPUT BOARD, COMPLETE *****		*	A-4414-300-A	MAIN BOARD, COMPLETE (DA30ES) *****	
		< CAPACITOR >		1-533-217-31	HOLDER, FUSE		
C3301	1-165-319-11	CERAMIC CHIP 0.1uF	50V	7-685-872-09	SCREW +BVTT 3X8 (S)		
C3302	1-165-319-11	CERAMIC CHIP 0.1uF	50V		< CAPACITOR >		
C3303	1-126-925-11	ELECT 470uF	20% 10V	C201	1-126-047-81	ELECT 4.7uF 20% 50V	
C3306	1-164-346-11	CERAMIC CHIP 1uF	16V	C202	1-162-282-31	CERAMIC 100PF 10% 50V (DA50ES:AEP,UK,G,EE,AUS)	
C3307	1-165-319-11	CERAMIC CHIP 0.1uF	50V	C203	1-162-283-31	CERAMIC 120PF 10% 50V (DA50ES:AEP,UK,G,EE,AUS)	
C3308	1-165-319-11	CERAMIC CHIP 0.1uF	50V	C204	1-126-008-51	ELECT 47uF 20% 16V	
C3309	1-165-319-11	CERAMIC CHIP 0.1uF	50V	C205	1-125-896-91	MYLAR 0.0091uF 5% 50V	
C3310	1-165-319-11	CERAMIC CHIP 0.1uF	50V	C206	1-136-159-00	FILM 0.033uF 5% 50V	
		< CONNECTOR >		C207	1-126-045-11	ELECT 2.2uF 20% 50V	
CNS33011-784-925-11	PIN, CONNECTOR 10P			C208	1-126-009-81	ELECT 100uF 20% 16V	
		< DIODE >		C211	1-126-021-11	ELECT 33uF 20% 25V	
D3001	8-719-016-74	DIODE 1SS352		C216	1-126-021-11	ELECT 33uF 20% 25V	
		< IC >		C217	1-126-008-51	ELECT 47uF 20% 16V	
IC3301	8-749-923-05	IC TORX178 (DVD/LD IN OPT)		C218	1-162-282-31	CERAMIC 100PF 10% 50V (DA50ES:AEP,UK,G,EE,AUS)	
IC3302	8-749-923-05	IC TORX178 (TV/DBS IN OPT)		C219	1-162-282-31	CERAMIC 100PF 10% 50V (DA50ES:AEP,UK,G,EE,AUS)	
IC3303	8-749-923-05	IC TORX178 (MD/DAT IN OPT)		C220	1-162-282-31	CERAMIC 100PF 10% 50V (DA50ES:AEP,UK,G,EE,AUS)	
IC3304	8-749-923-04	IC TOTX178 (MD/DAT OUT OPT)		C221	1-162-282-31	CERAMIC 100PF 10% 50V (DA50ES:AEP,UK,G,EE,AUS)	
IC3310	8-759-236-17	IC TC74HC151AF-TP1					
IC3311	8-749-923-05	IC TORX178 (CD IN OPT)					
IC3314	8-759-233-64	IC TC74HCU04AF					

Ref. No.	Part No.	Description	Remarks	Ref. No.	Part No.	Description	Remarks
C653	1-124-995-11	ELECT	220uF 20% 10V	D555	8-719-911-19	DIODE 1SS119	
C654	1-102-233-00	CERAMIC	33PF 10% 500V	D601	8-719-911-19	DIODE 1SS119	
C664	1-102-936-00	CERAMIC	3.0PF ±0.25PF 50V	D602	8-719-911-19	DIODE 1SS119	
C679	1-130-475-00	MYLAR	0.0022uF 5% 50V	D603	8-719-109-51	DIODE RD2.0ES-B2	
C680	1-130-475-00	MYLAR	0.0022uF 5% 50V	D604	8-719-911-19	DIODE 1SS119	
C916	1-130-781-00	FILM	0.22uF 10% 100V (DA50ES:AEP,UK,G,EE,AUS,SP,MY/V55ES)	D605	8-719-911-19	DIODE 1SS119	
C917	1-130-781-00	FILM	0.22uF 10% 100V (DA50ES:AEP,UK,G,EE,AUS,SP,MY/V55ES)	D655	8-719-911-19	DIODE 1SS119	
C951	1-136-153-00	FILM	0.01uF 5% 50V	D951	8-719-024-99	DIODE 11ES2-NTA2B	
C952	1-136-153-00	FILM	0.01uF 5% 50V	D952	8-719-024-99	DIODE 11ES2-NTA2B	
C953	1-126-041-11	ELECT	2200uF 20% 35V	D953	8-719-024-99	DIODE 11ES2-NTA2B	
C954	1-126-041-11	ELECT	2200uF 20% 35V	D954	8-719-024-99	DIODE 11ES2-NTA2B	
C955	1-126-026-11	ELECT	470uF 20% 25V	D955	8-719-025-03	DIODE RBA-402-SL	
C956	1-126-026-11	ELECT	470uF 20% 25V	D991	8-719-024-99	DIODE 11ES2-NTA2B	
C960	1-119-796-21	ELECT	4700uF 20% 16V	D992	8-719-024-99	DIODE 11ES2-NTA2B	
C961	1-119-841-11	ELECT	1000uF 20% 63V			< EARTH >	
C962	1-126-012-11	ELECT	470uF 20% 16V	* EP902	1-537-738-21	TERMINAL, EARTH	
C963	1-164-159-11	CERAMIC	0.1uF 50V			< FUSE >	
C965	1-136-153-00	FILM	0.01uF 5% 50V	△F951	1-532-503-51	FUSE 1.6A (EXCEPT US,CND)	
C966	1-136-153-00	FILM	0.01uF 5% 50V	△F951	1-533-614-11	FUSE, GLASS CYLINDRICAL 1.6A (US,CND)	
C991	1-126-040-11	ELECT	1000uF 20% 35V	△F952	1-532-503-51	FUSE 1.6A (EXCEPT US,CND)	
C992	1-107-913-11	ELECT	470uF 20% 35V (DA50ES/V55ES)	△F952	1-533-614-11	FUSE, GLASS CYLINDRICAL 1.6A (US,CND)	
C993	1-126-044-11	ELECT	1uF 20% 50V (DA50ES/V55ES)	△F953	1-532-465-51	FUSE, TIME LAG 3.15A (EXCEPT US,CND)	
			< CONNECTOR >	△F953	1-533-690-11	FUSE, GLASS CYLINDRICAL(DIA.5)3.15A (US,CND)	
CN501	1-779-978-11	PIN, CONNECTOR 3P (DA50ES:AEP,UK,G,EE,AUS)				< IC >	
CN502	1-779-978-11	PIN, CONNECTOR 3P (DA50ES:AEP,UK,G,EE,AUS)		IC201	8-759-636-74	IC M5218AP-22	
CNP502	1-779-978-11	PIN, CONNECTOR 3P		IC202	8-759-805-13	IC LC7821	
CNP601	1-564-320-00	PIN, CONNECTOR (B2P-VH) 2P		IC204	8-759-636-74	IC M5218AP-22	
CNP911	1-779-978-11	PIN, CONNECTOR 3P		IC351	8-759-805-14	IC LC7822 (DA50ES:AEP,UK,G,EE,AUS)	
CNP951	1-785-102-11	PIN, CONNECTOR 4P		IC401	8-759-636-74	IC M5218AP-22	
CNP952	1-785-103-11	PIN, CONNECTOR 5P		IC402	8-759-636-74	IC M5218AP-22	
CNP992	1-764-326-11	PIN, CONNECTOR (PCB) (V TYPE) 3P (DA50ES/V55ES)		IC405	8-759-636-74	IC M5218AP-22	
CNS409	1-569-323-11	SOCKET, CONNECTOR 19P		IC406	8-759-636-74	IC M5218AP-22	
CNV501	1-785-104-11	PIN, CONNECTOR 6P		IC407	8-759-636-74	IC M5218AP-22	
			< DIODE >	IC501	8-759-326-52	IC uPC2581V	
D401	8-719-911-19	DIODE 1SS119		IC502	8-749-014-72	IC SAP15N	
D501	8-719-911-19	DIODE 1SS119		IC503	8-749-014-73	IC SAP15P	
D502	8-719-911-19	DIODE 1SS119		IC552	8-749-014-72	IC SAP15N	
D503	8-719-109-51	DIODE RD2.0ES-B2		IC553	8-749-014-73	IC SAP15P	
D504	8-719-911-19	DIODE 1SS119		IC602	8-749-014-72	IC SAP15N	
D505	8-719-911-19	DIODE 1SS119		IC601	8-759-326-52	IC uPC2581V	
D506	8-719-911-19	DIODE 1SS119		IC603	8-749-014-73	IC SAP15P	
D507	8-719-911-19	DIODE 1SS119		IC902	8-759-445-59	IC BA033T	
D547	8-719-911-19	DIODE 1SS119		IC951	8-759-231-59	IC TA7815S	
D548	8-719-911-19	DIODE 1SS119		IC952	8-759-245-87	IC TA7915S	
D549	8-719-911-19	DIODE 1SS119		IC955	8-759-231-53	IC TA7805S	
D551	8-719-911-19	DIODE 1SS119				< JACK >	
D552	8-719-911-19	DIODE 1SS119		J202	1-784-920-11	JACK, PIN 6P (PHONO/CD/MD DAT REC OUT)	
D553	8-719-109-51	DIODE RD2.0ES-B2		J203	1-784-920-11	JACK, PIN 6P (MD DAT IN/TAPE)	
D554	8-719-911-19	DIODE 1SS119					

以阴影和△标志来识别的零部件在安全方面具有关键性。因此只能以规定号码的零部件来更换。

The components identified by mark △ or dotted line with mark △ are critical for safety. Replace only with part number specified.

Les composants identifiés par une marque △ sont critiques pour la sécurité. Ne les remplacer que par une pièce portant le numéro spécifié.

MAIN

Ref. No.	Part No.	Description	Remarks	Ref. No.	Part No.	Description	Remarks
		< COIL >					
L201	1-410-521-11	INDUCTOR 100uH (DA50ES:AEP,UK,G,EE,AUS)		R245	1-249-425-11	CARBON 4.7K 5%	1/4W F
L251	1-410-521-11	INDUCTOR 100uH (DA50ES:AEP,UK,G,EE,AUS)		R246	1-249-437-11	CARBON 47K 5%	1/4W
L501	1-411-906-11	COIL, AIR-CORE		R247	1-249-417-11	CARBON 1K 5%	1/4W F
L551	1-411-906-11	COIL, AIR-CORE		R248	1-249-397-11	CARBON 22 5%	1/4W F
L601	1-411-906-11	COIL, AIR-CORE		R249	1-249-397-11	CARBON 22 5%	1/4W F
		< TRANSISTOR >		R250	1-249-441-11	CARBON 100K 5%	1/4W
Q201	8-729-900-36	TRANSISTOR DTC124ES		R252	1-249-441-11	CARBON 100K 5%	1/4W
Q202	8-729-900-63	TRANSISTOR DTA124ES		R253	1-249-440-11	CARBON 82K 5%	1/4W
Q203	8-729-141-30	TRANSISTOR 2SC3623A-LK		R254	1-249-408-11	CARBON 180 5%	1/4W F
Q253	8-729-141-30	TRANSISTOR 2SC3623A-LK		R255	1-249-428-11	CARBON 8.2K 5%	1/4W F
Q301	8-729-119-79	TRANSISTOR 2SC2785-FEK		R256	1-249-441-11	CARBON 100K 5%	1/4W
Q303	8-729-900-63	TRANSISTOR DTA124ES		R257	1-249-441-11	CARBON 100K 5%	1/4W
Q351	8-729-141-30	TRANSISTOR 2SC3623A-LK		R258	1-249-413-11	CARBON 470 5%	1/4W F
Q352	8-729-141-30	TRANSISTOR 2SC3623A-LK		R259	1-247-807-31	CARBON 100 5%	1/4W
Q353	8-729-141-30	TRANSISTOR 2SC3623A-LK		R260	1-249-421-11	CARBON 2.2K 5%	1/4W F
Q354	8-729-141-30	TRANSISTOR 2SC3623A-LK		R261	1-249-417-11	CARBON 1K 5%	1/4W F
Q355	8-729-141-30	TRANSISTOR 2SC3623A-LK		R262	1-249-417-11	CARBON 1K 5%	1/4W F
Q356	8-729-141-30	TRANSISTOR 2SC3623A-LK		R263	1-249-417-11	CARBON 1K 5%	1/4W F
Q508	8-729-140-82	TRANSISTOR 2SA988-PAFAEA		R264	1-249-417-11	CARBON 1K 5%	1/4W F
Q509	8-729-119-79	TRANSISTOR 2SC2785-FEK		R265	1-249-401-11	CARBON 47 5%	1/4W F
Q545	8-729-119-79	TRANSISTOR 2SC2785-FEK				(DA30ES/DA50ES:US,CND,E,EA,PX,SP,MY/V55ES)	
Q546	8-729-119-79	TRANSISTOR 2SC2785-FEK		R267	1-249-441-11	CARBON 100K 5%	1/4W
Q547	8-729-140-84	TRANSISTOR 2SC1841-PAFAEA		R278	1-249-437-11	CARBON 47K 5%	1/4W
Q548	8-729-119-79	TRANSISTOR 2SC2785-FEK		R279	1-249-441-11	CARBON 100K 5%	1/4W
Q549	8-729-140-82	TRANSISTOR 2SA988-PAFAEA		R282	1-247-807-31	CARBON 100 5%	1/4W
Q558	8-729-140-82	TRANSISTOR 2SA988-PAFAEA		R351	1-247-807-31	CARBON 100 5%	1/4W
Q559	8-729-119-79	TRANSISTOR 2SC2785-FEK				(DA50ES:AEP,UK,G,EE,AUS)	
Q608	8-729-140-82	TRANSISTOR 2SA988-PAFAEA		R352	1-247-807-31	CARBON 100 5%	1/4W
Q609	8-729-119-79	TRANSISTOR 2SC2785-FEK				(DA50ES:AEP,UK,G,EE,AUS)	
Q659	8-729-119-79	TRANSISTOR 2SC2785-FEK		R353	1-249-425-11	CARBON 4.7K 5%	1/4W F
Q991	8-729-111-29	TRANSISTOR 2SD1616A-K (DA50ES/V55ES)		R354	1-249-417-11	CARBON 1K 5%	1/4W F
Q992	8-729-119-79	TRANSISTOR 2SC2785-FEK (DA50ES/V55ES)		R355	1-249-429-11	CARBON 10K 5%	1/4W
		< RESISTOR >		R356	1-249-429-11	CARBON 10K 5%	1/4W
R202	1-249-441-11	CARBON 100K 5%	1/4W	R357	1-249-429-11	CARBON 10K 5%	1/4W
R203	1-249-440-11	CARBON 82K 5%	1/4W	R358	1-249-429-11	CARBON 10K 5%	1/4W
R204	1-249-408-11	CARBON 180 5%	1/4W F	R359	1-249-429-11	CARBON 10K 5%	1/4W
R205	1-249-428-11	CARBON 8.2K 5%	1/4W F	R360	1-249-429-11	CARBON 10K 5%	1/4W
R206	1-249-441-11	CARBON 100K 5%	1/4W	R401	1-249-441-11	CARBON 100K 5%	1/4W
R207	1-249-441-11	CARBON 100K 5%	1/4W	R402	1-249-441-11	CARBON 100K 5%	1/4W
R208	1-249-413-11	CARBON 470 5%	1/4W F	R403	1-249-441-11	CARBON 100K 5%	1/4W
R209	1-247-807-31	CARBON 100 5%	1/4W	R404	1-249-430-11	CARBON 12K 5%	1/4W
R210	1-249-421-11	CARBON 2.2K 5%	1/4W F	R405	1-249-430-11	CARBON 12K 5%	1/4W
R211	1-249-417-11	CARBON 1K 5%	1/4W F	R406	1-249-430-11	CARBON 12K 5%	1/4W
R212	1-249-417-11	CARBON 1K 5%	1/4W F	R407	1-249-437-11	CARBON 47K 5%	1/4W
R213	1-249-417-11	CARBON 1K 5%	1/4W F	R408	1-249-437-11	CARBON 47K 5%	1/4W
R214	1-249-417-11	CARBON 1K 5%	1/4W F	R409	1-249-437-11	CARBON 47K 5%	1/4W
R215	1-249-401-11	CARBON 47 5%	1/4W F	R410	1-249-437-11	CARBON 47K 5%	1/4W
		(DA30ES/DA50ES:US,CND,E,EA,PX,SP,MY/V55ES)		R411	1-249-437-11	CARBON 47K 5%	1/4W
R217	1-249-441-11	CARBON 100K 5%	1/4W	R412	1-249-437-11	CARBON 47K 5%	1/4W
R232	1-247-807-31	CARBON 100 5%	1/4W	R413	1-249-417-11	CARBON 1K 5%	1/4W F
R241	1-249-429-11	CARBON 10K 5%	1/4W	R414	1-249-417-11	CARBON 1K 5%	1/4W F
R242	1-249-429-11	CARBON 10K 5%	1/4W	R415	1-249-417-11	CARBON 1K 5%	1/4W F
R243	1-247-807-31	CARBON 100 5%	1/4W	R416	1-249-441-11	CARBON 100K 5%	1/4W
R244	1-247-807-31	CARBON 100 5%	1/4W	R417	1-249-429-11	CARBON 10K 5%	1/4W
				R418	1-249-429-11	CARBON 10K 5%	1/4W
				R419	1-249-441-11	CARBON 100K 5%	1/4W
				R420	1-249-429-11	CARBON 10K 5%	1/4W
				R421	1-249-429-11	CARBON 10K 5%	1/4W

Ref. No.	Part No.	Description	Remarks	Ref. No.	Part No.	Description	Remarks
R451	1-249-441-11	CARBON	100K 5% 1/4W	R557	1-249-415-11	CARBON	680 5% 1/4W F
R452	1-249-441-11	CARBON	100K 5% 1/4W	R564	1-249-438-11	CARBON	56K 5% 1/4W
R453	1-249-441-11	CARBON	100K 5% 1/4W	△R574	1-249-408-11	CARBON	180 5% 1/4W F
R454	1-249-430-11	CARBON	12K 5% 1/4W	△R575	1-249-408-11	CARBON	180 5% 1/4W F
R455	1-249-430-11	CARBON	12K 5% 1/4W	R577	1-247-850-11	CARBON	6.2K 5% 1/4W
R456	1-249-430-11	CARBON	12K 5% 1/4W	R578	1-249-419-11	CARBON	1.5K 5% 1/4W F
R457	1-249-437-11	CARBON	47K 5% 1/4W	R579	1-249-441-11	CARBON	100K 5% 1/4W
R458	1-249-437-11	CARBON	47K 5% 1/4W	△R580	1-249-393-11	CARBON	10 5% 1/4W F
R459	1-249-437-11	CARBON	47K 5% 1/4W	△R581	1-249-389-11	CARBON	4.7 5% 1/4W F
R460	1-249-437-11	CARBON	47K 5% 1/4W	R582	1-249-437-11	CARBON	47K 5% 1/4W
R461	1-249-437-11	CARBON	47K 5% 1/4W	R583	1-249-425-11	CARBON	4.7K 5% 1/4W F
R462	1-249-437-11	CARBON	47K 5% 1/4W	R584	1-249-429-11	CARBON	10K 5% 1/4W
R463	1-249-417-11	CARBON	1K 5% 1/4W F	△R585	1-249-393-11	CARBON	10 5% 1/4W F
R464	1-249-417-11	CARBON	1K 5% 1/4W F	R588	1-215-868-00	METAL OXIDE	680 5% 1W
R465	1-249-417-11	CARBON	1K 5% 1/4W F	R595	1-249-425-11	CARBON	4.7K 5% 1/4W F
R466	1-249-441-11	CARBON	100K 5% 1/4W	R596	1-249-429-11	CARBON	10K 5% 1/4W
R467	1-249-429-11	CARBON	10K 5% 1/4W	△R597	1-249-393-11	CARBON	10 5% 1/4W F
R468	1-249-429-11	CARBON	10K 5% 1/4W	△R598	1-249-393-11	CARBON	10 5% 1/4W F
R491	1-249-425-11	CARBON	4.7K 5% 1/4W F	△R599	1-249-393-11	CARBON	10 5% 1/4W F
R492	1-249-429-11	CARBON	10K 5% 1/4W	R601	1-249-417-11	CARBON	1K 5% 1/4W F
R493	1-249-393-11	CARBON	10 5% 1/4W F	R602	1-249-438-11	CARBON	56K 5% 1/4W
R498	1-249-397-11	CARBON	22 5% 1/4W F	R603	1-247-840-00	CARBON	2.4K 5% 1/4W
R499	1-249-397-11	CARBON	22 5% 1/4W F				(DA50ES/V55ES)
R501	1-249-417-11	CARBON	1K 5% 1/4W F	R603	1-247-842-11	CARBON	3K 5% 1/4W
R502	1-249-438-11	CARBON	56K 5% 1/4W				(DA30ES)
R503	1-247-840-00	CARBON	2.4K 5% 1/4W	R604	1-249-432-11	CARBON	18K 5% 1/4W
			(DA50ES/V55ES)	R606	1-249-409-11	CARBON	220 5% 1/4W F
R503	1-247-842-11	CARBON	3K 5% 1/4W	R607	1-249-415-11	CARBON	680 5% 1/4W F
			(DA30ES)	R614	1-249-438-11	CARBON	56K 5% 1/4W
R504	1-249-432-11	CARBON	18K 5% 1/4W	△R624	1-249-408-11	CARBON	180 5% 1/4W F
R506	1-249-409-11	CARBON	220 5% 1/4W F	△R625	1-249-408-11	CARBON	180 5% 1/4W F
R507	1-249-415-11	CARBON	680 5% 1/4W F	R627	1-247-850-11	CARBON	6.2K 5% 1/4W
R514	1-249-438-11	CARBON	56K 5% 1/4W	R628	1-249-419-11	CARBON	1.5K 5% 1/4W F
△R524	1-249-408-11	CARBON	180 5% 1/4W F	R629	1-249-441-11	CARBON	100K 5% 1/4W
△R525	1-249-408-11	CARBON	180 5% 1/4W F	△R630	1-249-393-11	CARBON	10 5% 1/4W F
R527	1-247-850-11	CARBON	6.2K 5% 1/4W	△R631	1-249-389-11	CARBON	4.7 5% 1/4W F
R528	1-249-419-11	CARBON	1.5K 5% 1/4W F	R632	1-249-437-11	CARBON	47K 5% 1/4W
R529	1-249-441-11	CARBON	100K 5% 1/4W	R633	1-249-425-11	CARBON	4.7K 5% 1/4W F
△R530	1-249-393-11	CARBON	10 5% 1/4W F	R634	1-249-429-11	CARBON	10K 5% 1/4W
△R531	1-249-389-11	CARBON	4.7 5% 1/4W F	△R635	1-249-393-11	CARBON	10 5% 1/4W F
R532	1-249-437-11	CARBON	47K 5% 1/4W	R651	1-249-417-11	CARBON	1K 5% 1/4W F
R533	1-249-425-11	CARBON	4.7K 5% 1/4W F	R652	1-249-438-11	CARBON	56K 5% 1/4W
R534	1-249-429-11	CARBON	10K 5% 1/4W	R653	1-247-840-00	CARBON	2.4K 5% 1/4W
△R535	1-249-393-11	CARBON	10 5% 1/4W F				(DA50E/V55ES)
R538	1-215-868-00	METAL OXIDE	680 5% 1W	R653	1-247-842-11	CARBON	3K 5% 1/4W
R541	1-249-429-11	CARBON	10K 5% 1/4W				(DA30ES)
R542	1-249-429-11	CARBON	10K 5% 1/4W	R654	1-249-409-11	CARBON	220 5% 1/4W F
R543	1-249-425-11	CARBON	4.7K 5% 1/4W F	R655	1-249-409-11	CARBON	220 5% 1/4W F
R544	1-249-429-11	CARBON	10K 5% 1/4W	R664	1-249-438-11	CARBON	56K 5% 1/4W
△R545	1-249-393-11	CARBON	10 5% 1/4W F	R683	1-249-425-11	CARBON	4.7K 5% 1/4W F
R546	1-249-427-11	CARBON	6.8K 5% 1/4W F	R684	1-249-429-11	CARBON	10K 5% 1/4W
R547	1-249-417-11	CARBON	1K 5% 1/4W F	△R685	1-249-393-11	CARBON	10 5% 1/4W F
R551	1-249-417-11	CARBON	1K 5% 1/4W F	R922	1-249-439-11	CARBON	68K 5% 1/4W
R552	1-249-438-11	CARBON	56K 5% 1/4W				(DA50ES:US,CND,E,EA,PX)
R553	1-247-840-00	CARBON	2.4K 5% 1/4W	R953	1-249-429-11	CARBON	10K 5% 1/4W
			(DA50ES/V55ES)				
R553	1-247-842-11	CARBON	3K 5% 1/4W				
			(DA30ES)				
R556	1-249-409-11	CARBON	220 5% 1/4W F				

以阴影和 △标志来识别的零部件在安全方面具有关键性。因此只能以规定号码的零部件来更换。

The components identified by mark △ or dotted line with mark △ are critical for safety. Replace only with part number specified.

Les composants identifiés par une marque △ sont critiques pour la sécurité. Ne les remplacer que par une pièce portant le numéro spécifié.

MAIN

POWER SWITCH

PS

Ref. No.	Part No.	Description	Remarks
R991	1-249-417-11	CARBON 1K	5% 1/4W F (DA50ES/V55ES)
R992	1-249-439-11	CARBON 68K	5% 1/4W (DA50ES:AEP,UK,G,EE,AUS,SP,MY/V55ES)
R993	1-249-433-11	CARBON 22K	5% 1/4W (DA50ES/V55ES)
R995	1-249-441-11	CARBON 100K	5% 1/4W (DA50ES/V55ES)
R996	1-249-429-11	CARBON 10K	5% 1/4W
△R997	1-215-910-00	METAL OXIDE 68	5% 3W F (DA50ES/V55ES)
< VARIABLE RESISTOR >			
RV501	1-241-759-11	RES, ADJ, CARBON 220	
RV551	1-241-759-11	RES, ADJ, CARBON 220	
RV601	1-241-759-11	RES, ADJ, CARBON 220	
< RELAY >			
RY401	1-515-793-11	RELAY	
RY501	1-515-920-11	RELAY (24V)	
RY502	1-515-920-11	RELAY (24V)	
RY503	1-515-793-11	RELAY	
RY504	1-515-793-11	RELAY	
RY601	1-515-920-11	RELAY (24V)	
RY602	1-515-793-11	RELAY	
< TEST PIN >			
* TP501	1-560-060-00	PIN, CONNECTOR 2P	
* TP551	1-560-060-00	PIN, CONNECTOR 2P	
* TP601	1-560-060-00	PIN, CONNECTOR 2P	

* 1-670-749-11	POWER SWITCH BOARD		

< SWITCH >			
S101	1-572-184-11	SWITCH, KEYBOARD (POWER)	

* A-4414-259-A	PS BOARD, COMPLETE (DA50ES:US)		

* A-4414-260-A	PS BOARD, COMPLETE (DA50ES:CND)		

* A-4414-261-A	PS BOARD, COMPLETE		

(DA50ES:AEP,UK,G,EE,AUS,SP,MY/V55ES)			
* A-4414-262-A	PS BOARD, COMPLETE (DA50ES:E,EA,PX)		

* A-4414-627-A	PS BOARD, COMPLETE (DA30ES:US)		

* A-4414-628-A	PS BOARD, COMPLETE (DA30ES:CND)		

1-533-217-31	HOLDER, FUSE		
7-685-872-09	SCREW +BVTT 3X8 (S)		

Ref. No.	Part No.	Description	Remarks
< CAPACITOR >			
C901	1-110-211-91	MYLAR	0.022uF 5% 50V
C902	1-110-211-91	MYLAR	0.022uF 5% 50V
C903	1-126-767-11	ELECT	1000uF 20% 16V
C904	1-126-960-11	ELECT	1uF 20% 50V
C905	1-126-959-11	ELECT	0.47uF 20% 50V
C906	1-126-957-11	ELECT	0.22uF 20% 50V
C907	1-126-964-11	ELECT	10uF 20% 50V
C908	1-164-159-11	CERAMIC	0.1uF 50V
C909	1-104-664-11	ELECT	47uF 20% 25V
C910	1-164-159-11	CERAMIC	0.1uF 50V
C911	1-164-159-11	CERAMIC	0.1uF 50V
C912	1-164-159-11	CERAMIC	0.1uF 50V
C913	1-128-564-11	ELECT	220uF 20% 100V
C916	1-137-420-11	FILM	0.047uF 10% 100V (DA30ES/DA50ES:US,CND,E,EA,PX)
C917	1-137-420-11	FILM	0.047uF 10% 100V (DA30ES/DA50ES:US,CND,E,EA,PX)
C918	1-125-901-11	ELECT	18000uF 20% 63V (DA30ES)
C919	1-125-901-11	ELECT	18000uF 20% 63V (DA30ES)
< CONNECTOR >			
CNP908	1-785-106-11	PIN, CONNECTOR 8P	
CNP909	1-785-102-11	PIN, CONNECTOR 4P	
CNP910	1-779-977-11	PIN, CONNECTOR 6P	
CNP913	1-784-921-11	PIN, CONNECTOR 4P	
< DIODE >			
D901	8-719-024-99	DIODE 11ES2-NTA2B	
D902	8-719-024-99	DIODE 11ES2-NTA2B	
D903	8-719-024-99	DIODE 11ES2-NTA2B	
D904	8-719-024-99	DIODE 11ES2-NTA2B	
D905	8-719-911-19	DIODE 1SS119	
D906	8-719-911-19	DIODE 1SS119	
D908	8-719-118-64	DIODE RD5.6F-T7B3	
D909	8-719-024-99	DIODE 11ES2-NTA2B	
D910	8-719-024-99	DIODE 11ES2-NTA2B	
D911	8-719-911-19	DIODE 1SS119	
D912	8-719-072-05	DIODE RBV-602LF-A	
D914	8-719-072-05	DIODE RBV-602LF-A	
< EARTH >			
* EP951	1-537-738-21	TERMINAL, EARTH	
< FUSE >			
△F911	1-533-312-11	FUSE, GLASS CYLINDRICAL(DIA.5)10A 125V	
△F912	1-533-312-11	FUSE, GLASS CYLINDRICAL(DIA.5)10A 125V	
< IC >			
IC901	8-759-333-83	IC NJM2103D	
< TRANSISTOR >			
Q901	8-729-119-79	TRANSISTOR 2SC2785-FEK	
Q902	8-729-209-15	TRANSISTOR 2SD2012	
Q903	8-729-119-79	TRANSISTOR 2SC2785-FEK	

以阴影和△标志来识别的零部件在安全方面具有关键性。因此只能以规定号码的零部件来更换。

The components identified by mark △ or dotted line with mark △ are critical for safety. Replace only with part number specified.

Les composants identifiés par une marque △ sont critiques pour la sécurité. Ne les remplacer que par une pièce portant le numéro spécifié.

Ref. No.	Part No.	Description	Remarks	Ref. No.	Part No.	Description	Remarks
< RESISTOR >				C753	1-124-995-11	ELECT	220uF 20% 10V
R902	1-249-429-11	CARBON	10K 5% 1/4W	C754	1-102-233-00	CERAMIC	33PF 10% 500V
R903	1-249-425-11	CARBON	4.7K 5% 1/4W F	C755	1-102-934-00	CERAMIC	1.0PF ±0.25PF 50V
R904	1-249-417-11	CARBON	1K 5% 1/4W F	C764	1-102-936-00	CERAMIC	3.0PF ±0.25PF 50V
R905	1-249-428-11	CARBON	8.2K 5% 1/4W F	C770	1-126-008-51	ELECT	47uF 20% 16V
R906	1-249-421-11	CARBON	2.2K 5% 1/4W F	C771	1-107-597-11	CERAMIC	22PF 10% 500V
R908	1-249-433-11	CARBON	22K 5% 1/4W	C772	1-107-597-11	CERAMIC	22PF 10% 500V
R909	1-249-439-11	CARBON	68K 5% 1/4W	C773	1-162-286-31	CERAMIC	220PF 10% 50V
R910	1-249-437-11	CARBON	47K 5% 1/4W	C774	1-136-157-00	FILM	0.022uF 5% 50V
R912	1-249-430-11	CARBON	12K 5% 1/4W	C779	1-130-475-00	MYLAR	0.0022uF 5% 50V
△R913	1-247-727-11	CARBON	10 5% 1/2W F	C780	1-130-475-00	MYLAR	0.0022uF 5% 50V
△R914	1-249-405-11	CARBON	100 5% 1/4W F	C798	1-126-077-11	ELECT	100uF 20% 100V
△R916	1-249-393-11	CARBON	10 5% 1/4W F	C799	1-126-077-11	ELECT	100uF 20% 100V
R917	1-249-425-11	CARBON	4.7K 5% 1/4W F	< CONNECTOR >			
R918	1-249-429-11	CARBON	10K 5% 1/4W	CNP701	1-784-923-11	PIN, CONNECTOR	7P
< RELAY >				CNP702	1-784-921-11	PIN, CONNECTOR	4P
RY902	1-515-894-11	RELAY (EXCEPT DA30ES:CND/DA50ES:CND)		CNP703	1-785-103-11	PIN, CONNECTOR	5P
RY903	1-515-918-11	RELAY (DA30ES:CND/DA50ES:CND)		CNP704	1-785-102-11	PIN, CONNECTOR	4P
RY904	1-515-918-11	RELAY (DA30ES:CND/DA50ES:CND)		CNP705	1-779-978-11	PIN, CONNECTOR	3P
< SWITCH >				< DIODE >			
S902	1-692-196-11	SWITCH, SLIDE (IMPEDANCE SELECTOR)		D701	8-719-911-19	DIODE	1SS119
< TRANSFORMER >				D702	8-719-911-19	DIODE	1SS119
△T902	1-431-387-11	TRANSFORMER, POWER		D703	8-719-109-51	DIODE	RD2.0ES-B2
*****				D704	8-719-911-19	DIODE	1SS119
*	A-4414-280-A	S.AMP BOARD, COMPLETE		D705	8-719-911-19	DIODE	1SS119
		*****		D751	8-719-911-19	DIODE	1SS119
		(DA50ES:US,CND,E,EA,PX)		D752	8-719-911-19	DIODE	1SS119
*	A-4414-281-A	S.AMP BOARD, COMPLETE		D753	8-719-109-51	DIODE	RD2.0ES-B2
		*****		D754	8-719-911-19	DIODE	1SS119
		(DA50ES:AEP,UK,G,EE,AUS,SP,MY)		< IC >			
*	A-4414-282-A	S.AMP BOARD, COMPLETE (V55ES)		IC701	8-759-326-52	IC	uPC2581V
		*****		IC702	8-749-014-72	IC	SAP15N
*	A-4414-301-A	S.AMP BOARD, COMPLETE (DA30ES)		IC703	8-749-014-73	IC	SAP15P
		*****		IC752	8-749-014-72	IC	SAP15N
< CAPACITOR >				IC753	8-749-014-73	IC	SAP15P
C701	1-126-047-81	ELECT	4.7uF 20% 50V	< COIL >			
C702	1-162-283-31	CERAMIC	120PF 10% 50V	L701	1-411-906-11	COIL, AIR-CORE	
C703	1-124-995-11	ELECT	220uF 20% 10V	L751	1-411-906-11	COIL, AIR-CORE	
C704	1-102-233-00	CERAMIC	33PF 10% 500V	< TRANSISTOR >			
C705	1-102-934-00	CERAMIC	1.0PF ±0.25PF 50V	Q708	8-729-140-82	TRANSISTOR	2SA988-PAFAEA
C714	1-102-936-00	CERAMIC	3.0PF ±0.25PF 50V	Q709	8-729-119-79	TRANSISTOR	2SC2785-FEK
C720	1-126-008-51	ELECT	47uF 20% 16V	Q758	8-729-140-82	TRANSISTOR	2SA988-PAFAEA
C721	1-107-597-11	CERAMIC	22PF 10% 500V	< RESISTOR >			
C722	1-107-597-11	CERAMIC	22PF 10% 500V	R701	1-249-417-11	CARBON	1K 5% 1/4W F
C723	1-162-286-31	CERAMIC	220PF 10% 50V	R702	1-249-438-11	CARBON	56K 5% 1/4W
C724	1-136-157-00	FILM	0.022uF 5% 50V	R703	1-247-840-00	CARBON	2.4K 5% 1/4W
C729	1-130-475-00	MYLAR	0.0022uF 5% 50V			(DA50ES/V55ES)	
C730	1-130-475-00	MYLAR	0.0022uF 5% 50V	R703	1-247-842-11	CARBON	3K 5% 1/4W
C751	1-126-047-81	ELECT	4.7uF 20% 50V			(DA30ES)	
C752	1-162-283-31	CERAMIC	120PF 10% 50V	R704	1-249-432-11	CARBON	18K 5% 1/4W

以阴影和△标志来识别的零部件在安全方面具有关键性。因此只能以规定号码的零部件来更换。

The components identified by mark △ or dotted line with mark △ are critical for safety. Replace only with part number specified.

Les composants identifiés par une marque △ sont critiques pour la sécurité. Ne les remplacer que par une pièce portant le numéro spécifié.

S.AMP **S.VIDEO**

Ref. No.	Part No.	Description	Remarks
R707	1-249-415-11	CARBON 680 5%	1/4W F
R714	1-249-438-11	CARBON 56K 5%	1/4W
△R724	1-249-408-11	CARBON 180 5%	1/4W F
△R725	1-249-408-11	CARBON 180 5%	1/4W F
R727	1-247-850-11	CARBON 6.2K 5%	1/4W
R728	1-249-419-11	CARBON 1.5K 5%	1/4W F
R729	1-249-441-11	CARBON 100K 5%	1/4W
△R730	1-249-393-11	CARBON 10 5%	1/4W F
△R731	1-249-389-11	CARBON 4.7 5%	1/4W F
R732	1-249-437-11	CARBON 47K 5%	1/4W
R733	1-249-425-11	CARBON 4.7K 5%	1/4W F
R734	1-249-429-11	CARBON 10K 5%	1/4W
△R735	1-249-393-11	CARBON 10 5%	1/4W F
R751	1-249-417-11	CARBON 1K 5%	1/4W F
R752	1-249-438-11	CARBON 56K 5%	1/4W
R753	1-247-840-00	CARBON 2.4K 5%	1/4W (DA50ES/V55ES)
R753	1-247-842-11	CARBON 3K 5%	1/4W (DA30ES)
R757	1-249-415-11	CARBON 680 5%	1/4W F
R764	1-249-438-11	CARBON 56K 5%	1/4W
△R774	1-249-408-11	CARBON 180 5%	1/4W F
△R775	1-249-408-11	CARBON 180 5%	1/4W F
R777	1-247-850-11	CARBON 6.2K 5%	1/4W
R778	1-249-419-11	CARBON 1.5K 5%	1/4W F
R779	1-249-441-11	CARBON 100K 5%	1/4W
△R780	1-249-393-11	CARBON 10 5%	1/4W F
△R781	1-249-389-11	CARBON 4.7 5%	1/4W F
R782	1-249-437-11	CARBON 47K 5%	1/4W
△R798	1-249-393-11	CARBON 10 5%	1/4W F
△R799	1-249-393-11	CARBON 10 5%	1/4W F
< VARIABLE RESISTOR >			
RV701	1-241-759-11	RES, ADJ, CARBON 220	
RV751	1-241-759-11	RES, ADJ, CARBON 220	
< RELAY >			
RY701	1-515-920-11	RELAY (24V)	
< TEST PIN >			
* TP701	1-560-060-00	PIN, CONNECTOR 2P	
* TP751	1-560-060-00	PIN, CONNECTOR 2P	

* A-4414-297-A	S.VIDEO BOARD, COMPLETE *****		
< CAPACITOR >			
C801	1-164-004-11	CERAMIC CHIP 0.1uF 10%	25V
C802	1-164-004-11	CERAMIC CHIP 0.1uF 10%	25V
C803	1-164-004-11	CERAMIC CHIP 0.1uF 10%	25V
C804	1-164-004-11	CERAMIC CHIP 0.1uF 10%	25V
C807	1-126-933-11	ELECT 100uF 20%	16V
C808	1-126-933-11	ELECT 100uF 20%	16V
C809	1-163-021-91	CERAMIC CHIP 0.01uF 10%	50V
C810	1-126-964-11	ELECT 10uF 20%	50V
C811	1-126-933-11	ELECT 100uF 20%	16V
C812	1-126-933-11	ELECT 100uF 20%	16V

Ref. No.	Part No.	Description	Remarks
C813	1-126-933-11	ELECT 100uF 20%	16V
C814	1-164-004-11	CERAMIC CHIP 0.1uF 10%	25V
C815	1-126-933-11	ELECT 100uF 20%	16V
C818	1-164-004-11	CERAMIC CHIP 0.1uF 10%	25V
C821	1-163-021-91	CERAMIC CHIP 0.01uF 10%	50V
C822	1-126-964-11	ELECT 10uF 20%	50V
C823	1-164-004-11	CERAMIC CHIP 0.1uF 10%	25V
C824	1-163-243-11	CERAMIC CHIP 47PF 5%	50V
C825	1-163-021-91	CERAMIC CHIP 0.01uF 10%	50V
C826	1-163-243-11	CERAMIC CHIP 47PF 5%	50V
C827	1-163-243-11	CERAMIC CHIP 47PF 5%	50V
C828	1-163-243-11	CERAMIC CHIP 47PF 5%	50V
C829	1-126-964-11	ELECT 10uF 20%	50V
C830	1-163-243-11	CERAMIC CHIP 47PF 5%	50V
C831	1-163-243-11	CERAMIC CHIP 47PF 5%	50V
C833	1-126-964-11	ELECT 10uF 20%	50V
C834	1-164-004-11	CERAMIC CHIP 0.1uF 10%	25V
C845	1-164-004-11	CERAMIC CHIP 0.1uF 10%	25V
C868	1-126-964-11	ELECT 10uF 20%	50V
C869	1-164-004-11	CERAMIC CHIP 0.1uF 10%	25V
< CONNECTOR >			
CNP803	1-784-922-11	PIN, CONNECTOR 5P	
CNP805	1-779-799-11	PIN, CONNECTOR 9P	
< DIODE >			
D801	8-719-016-74	DIODE 1SS352	
D802	8-719-016-74	DIODE 1SS352	
< IC >			
IC801	8-759-701-84	IC NJM7905FA	
IC811	8-759-536-24	IC NJM-2296M-TE2	
IC812	8-759-536-24	IC NJM-2296M-TE2	
< JACK >			
J101	1-563-330-11	JACK (S-LINK)	
J801	1-764-676-11	CONNECTOR (ROUND TYPE) (TV/DBS/DVD/LD)	
J802	1-764-676-11	CONNECTOR (ROUND TYPE) (VIDEO 2)	
J803	1-764-676-11	CONNECTOR (ROUND TYPE) (VIDEO 1)	
J804	1-537-943-11	TERMINAL, S (MONITOR)	
< COIL >			
L801	1-500-425-11	FERRITE	
L802	1-500-425-11	FERRITE	
L803	1-500-425-11	FERRITE	
L804	1-500-425-11	FERRITE	
< RESISTOR >			
R801	1-216-089-91	RES,CHIP 47K 5%	1/10W
R815	1-216-022-00	METAL CHIP 75 5%	1/10W
R818	1-216-022-00	METAL CHIP 75 5%	1/10W
R819	1-216-022-00	METAL CHIP 75 5%	1/10W
R821	1-216-022-00	METAL CHIP 75 5%	1/10W
R822	1-216-022-00	METAL CHIP 75 5%	1/10W
R823	1-216-022-00	METAL CHIP 75 5%	1/10W
R825	1-216-022-00	METAL CHIP 75 5%	1/10W
R827	1-216-022-00	METAL CHIP 75 5%	1/10W
R831	1-216-022-00	METAL CHIP 75 5%	1/10W

<p>以阴影和△标志来识别的零部件在安全方面具有关键性。因此只能以规定号码的零部件来更换。</p>	<p>The components identified by mark △ or dotted line with mark △ are critical for safety. Replace only with part number specified.</p>	<p>Les composants identifiés par une marque △ sont critiques pour la sécurité. Ne les remplacer que par une pièce portant le numéro spécifié.</p>
---	---	---

S.VIDEO

SP TM

SP.SWITCH

TH

VIDEO

Ref. No.	Part No.	Description	Remarks	Ref. No.	Part No.	Description	Remarks
R838	1-216-022-00	METAL CHIP	75 5% 1/10W			< DIODE >	
R851	1-216-022-00	METAL CHIP	75 5% 1/10W				
R857	1-216-022-00	METAL CHIP	75 5% 1/10W				
R8055	1-216-022-00	METAL CHIP	75 5% 1/10W	D105	8-719-911-19	DIODE 1SS119	
R8056	1-216-022-00	METAL CHIP	75 5% 1/10W	D106	8-719-911-19	DIODE 1SS119	
*****						< RESISTOR >	
*	1-670-150-11	SP TM BOARD		R155	1-249-413-11	CARBON	470 5% 1/4W F
		*****		R156	1-249-415-11	CARBON	680 5% 1/4W F
		< CAPACITOR >		R157	1-249-417-11	CARBON	1K 5% 1/4W F
C527	1-136-153-00	FILM	0.01uF 5% 50V (DA50ES:AEP,UK,G,EE,AUS)	R158	1-249-419-11	CARBON	1.5K 5% 1/4W F
C528	1-136-153-00	FILM	0.01uF 5% 50V (DA50ES:AEP,UK,G,EE,AUS)			< SWITCH >	
C577	1-136-153-00	FILM	0.01uF 5% 50V (DA50ES:AEP,UK,G,EE,AUS)	S102	1-762-268-11	SWITCH, ROTARY (SPEAKERS)	
C578	1-136-153-00	FILM	0.01uF 5% 50V (DA50ES:AEP,UK,G,EE,AUS)	S122	1-572-184-11	SWITCH, KEYBOARD (PRESET TUNING +)	
C588	1-136-153-00	FILM	0.01uF 5% 50V (DA50ES:AEP,UK,G,EE,AUS)	S123	1-572-184-11	SWITCH, KEYBOARD (PRESET TUNING -)	
C590	1-162-282-31	CERAMIC	100PF 10% 50V	S124	1-572-184-11	SWITCH, KEYBOARD (SHIFT)	
C591	1-162-282-31	CERAMIC	100PF 10% 50V	S125	1-572-184-11	SWITCH, KEYBOARD (FM/AM)	
C625	1-162-282-31	CERAMIC	100PF 10% 50V	*****			
C627	1-136-153-00	FILM	0.01uF 5% 50V (DA50ES:AEP,UK,G,EE,AUS)	*	1-670-151-11	TH BOARD	*****
C725	1-162-282-31	CERAMIC	100PF 10% 50V			< THERMISTOR >	
C727	1-136-153-00	FILM	0.01uF 5% 50V (DA50ES:AEP,UK,G,EE,AUS)	TH901	1-809-789-71	THERMISTOR, POSITIVE	*****
C775	1-162-282-31	CERAMIC	100PF 10% 50V	*	1-670-138-11	VIDEO BOARD	*****
C777	1-136-153-00	FILM	0.01uF 5% 50V (DA50ES:AEP,UK,G,EE,AUS)			< CAPACITOR >	
		< RESISTOR >		C805	1-164-159-11	CERAMIC	0.1uF 50V
△ R536	1-249-393-11	CARBON	10 5% 1/4W F (DA50ES:AEP,UK,G,EE,AUS)	C806	1-164-159-11	CERAMIC	0.1uF 50V
△ R537	1-249-393-11	CARBON	10 5% 1/4W F (DA50ES:AEP,UK,G,EE,AUS)	C816	1-126-933-11	ELECT	100uF 20% 16V
△ R586	1-249-393-11	CARBON	10 5% 1/4W F (DA50ES:AEP,UK,G,EE,AUS)	C817	1-126-933-11	ELECT	100uF 20% 16V
△ R587	1-249-393-11	CARBON	10 5% 1/4W F (DA50ES:AEP,UK,G,EE,AUS)	C832	1-163-243-11	CERAMIC CHIP	47PF 5% 50V
△ R636	1-249-393-11	CARBON	10 5% 1/4W F (DA50ES:AEP,UK,G,EE,AUS)	C835	1-163-243-11	CERAMIC CHIP	47PF 5% 50V
△ R736	1-249-393-11	CARBON	10 5% 1/4W F (DA50ES:AEP,UK,G,EE,AUS)	C836	1-163-243-11	CERAMIC CHIP	47PF 5% 50V
△ R786	1-249-393-11	CARBON	10 5% 1/4W F	C853	1-126-960-11	ELECT	1uF 20% 50V
		< TERMINAL >		C856	1-126-960-11	ELECT	1uF 20% 50V
* TM501	1-694-454-21	TERMINAL BOARD (SPEAKER)		C858	1-126-960-11	ELECT	1uF 20% 50V
TM701	1-694-432-21	TERMINAL BOARD (REAR/CENTER)		C862	1-126-960-11	ELECT	1uF 20% 50V
*****				C867	1-126-960-11	ELECT	1uF 20% 50V
*	1-670-142-11	SP.SWITCH BOARD				< IC >	
		*****		IC813	8-759-529-20	IC NJM2296D	
		< CONNECTOR >				< JACK >	
CNP101	1-779-977-11	PIN, CONNECTOR 6P		J805	1-766-400-11	JACK, PIN 2P (VIDEO 1 OUT/VIDEO 2 IN)	
				J806	1-766-400-11	JACK, PIN 2P (MONITOR/VIDEO 1 IN)	
				J807	1-766-399-11	JACK, PIN 3P (VIDEO 2 OUT/DVD/LD/TV/DBS)	
						< COIL >	
				L805	1-410-521-11	INDUCTOR	100uH
				L806	1-410-521-11	INDUCTOR	100uH

以阴影和△标志来识别的零部件在安全方面具有关键性。因此只能以规定号码的零部件来更换。

The components identified by mark △ or dotted line with mark △ are critical for safety. Replace only with part number specified.

Les composants identifiés par une marque △ sont critiques pour la sécurité. Ne les remplacer que par une pièce portant le numéro spécifié.

VIDEO **VOLTAGE SELECTOR** **VOLUME** **5.1 INPUT**

Ref. No.	Part No.	Description	Remarks			
< RESISTOR >						
R861	1-247-804-11	CARBON	75	5%	1/4W	
R862	1-247-804-11	CARBON	75	5%	1/4W	
R863	1-247-804-11	CARBON	75	5%	1/4W	
R866	1-247-804-11	CARBON	75	5%	1/4W	
R868	1-247-804-11	CARBON	75	5%	1/4W	
R869	1-247-804-11	CARBON	75	5%	1/4W	
R879	1-247-804-11	CARBON	75	5%	1/4W	

*	1-670-750-11	VOLTAGE SELECTOR BOARD (DA50ES:E,EA,PX)				

< CONNECTOR >						
* CNP904	1-564-687-11	PIN, CONNECTOR 3P				
CNP906	1-568-106-11	PIN, CONNECTOR 4P				
< SWITCH >						
△ S901	1-692-196-11	SWITCH, SLIDE (VOLTAGE SLECTOR)				

*	1-670-141-11	VOLUME BOARD				

< CAPACITOR >						
C1492	1-104-664-11	ELECT	47uF	20%	16V	
C1493	1-104-664-11	ELECT	47uF	20%	16V	
C1501	1-126-960-11	ELECT	1uF	20%	50V	
C1502	1-126-960-11	ELECT	1uF	20%	50V	
< CONNECTOR >						
CNP401	1-784-924-11	PIN, CONNECTOR 8P				
CNP403	1-779-978-11	PIN, CONNECTOR 3P				
CNP404	1-770-389-11	PIN, CONNECTOR (PC BOARD) 5P				
CNP405	1-784-921-11	PIN, CONNECTOR 4P				
* CNP407	1-564-522-11	PLUG, CONNECTOR 7P				
CNP409	1-784-923-11	PIN, CONNECTOR 7P				
CNP1406	1-774-289-11	PIN, CONNECTOR (PC BOARD) 15P				
< RESISTOR >						
R1496	1-249-397-11	CARBON	22	5%	1/4W F	
R1497	1-249-397-11	CARBON	22	5%	1/4W F	
< VARIABLE RESISTOR >						
RV1501	1-225-445-11	RES, VAR, CARBON 100KX6 (MASTER VOLUME)				

*	1-670-134-11	5.1 INPUT BOARD				

< CAPACITOR >						
C360	1-163-251-11	CERAMIC CHIP	100PF	5%	50V (DA50ES:AEP,UK,G,EE,AUS)	
C361	1-163-251-11	CERAMIC CHIP	100PF	5%	50V (DA50ES:AEP,UK,G,EE,AUS)	
C354	1-163-251-11	CERAMIC CHIP	100PF	5%	50V (DA50ES:AEP,UK,G,EE,AUS)	
C355	1-163-251-11	CERAMIC CHIP	100PF	5%	50V (DA50ES:AEP,UK,G,EE,AUS)	

Ref. No.	Part No.	Description	Remarks			
C356	1-163-251-11	CERAMIC CHIP	100PF	5%	50V (DA50ES:AEP,UK,G,EE,AUS)	
C357	1-163-251-11	CERAMIC CHIP	100PF	5%	50V (DA50ES:AEP,UK,G,EE,AUS)	
C358	1-163-251-11	CERAMIC CHIP	100PF	5%	50V (DA50ES:AEP,UK,G,EE,AUS)	
C359	1-163-251-11	CERAMIC CHIP	100PF	5%	50V (DA50ES:AEP,UK,G,EE,AUS)	
C362	1-163-251-11	CERAMIC CHIP	100PF	5%	50V (DA50ES:AEP,UK,G,EE,AUS)	
C363	1-163-251-11	CERAMIC CHIP	100PF	5%	50V (DA50ES:AEP,UK,G,EE,AUS)	
C364	1-163-251-11	CERAMIC CHIP	100PF	5%	50V (DA50ES:AEP,UK,G,EE,AUS)	
C365	1-163-251-11	CERAMIC CHIP	100PF	5%	50V (DA50ES:AEP,UK,G,EE,AUS)	
< CONNECTOR >						
CNP303	1-779-978-11	PIN, CONNECTOR 3P				
CNP351	1-779-799-11	PIN, CONNECTOR 9P (DA50ES:AEP,UK,G,EE,AUS)				
CNP352	1-784-922-11	PIN, CONNECTOR 5P				
< JACK >						
J351	1-779-685-11	JACK, PIN 6P (5.1 INPUT) (DA50ES:AEP,UK,G,EE,AUS)				
J352	1-785-009-11	JACK, PIN 6P (FRONT/REAR WOOFER)				
J353	1-774-785-11	JACK, PIN 1P (CENTER)				
< RESISTOR >						
R361	1-216-049-91	RES,CHIP	1K	5%	1/10W (DA50ES:AEP,UK,G,EE,AUS)	
R362	1-216-049-91	RES,CHIP	1K	5%	1/10W (DA50ES:AEP,UK,G,EE,AUS)	
R363	1-216-049-91	RES,CHIP	1K	5%	1/10W (DA50ES:AEP,UK,G,EE,AUS)	
R364	1-216-049-91	RES,CHIP	1K	5%	1/10W (DA50ES:AEP,UK,G,EE,AUS)	
R365	1-216-049-91	RES,CHIP	1K	5%	1/10W (DA50ES:AEP,UK,G,EE,AUS)	
R366	1-216-049-91	RES,CHIP	1K	5%	1/10W (DA50ES:AEP,UK,G,EE,AUS)	
R367	1-216-049-91	RES,CHIP	1K	5%	1/10W	
R368	1-216-049-91	RES,CHIP	1K	5%	1/10W	
R369	1-216-049-91	RES,CHIP	1K	5%	1/10W	
R370	1-216-049-91	RES,CHIP	1K	5%	1/10W	
R371	1-216-049-91	RES,CHIP	1K	5%	1/10W	
R372	1-216-049-91	RES,CHIP	1K	5%	1/10W	
R373	1-216-077-00	METAL CHIP	15K	5%	1/10W (DA50ES/V55ES)	
R373	1-216-075-00	METAL CHIP	12K	5%	1/10W (DA30ES)	
R374	1-216-077-00	METAL CHIP	15K	5%	1/10W (DA50ES/V55ES)	
R374	1-216-075-00	METAL CHIP	12K	5%	1/10W (DA30ES)	
R375	1-216-077-00	METAL CHIP	15K	5%	1/10W (DA50ES/V55ES)	
R375	1-216-075-00	METAL CHIP	12K	5%	1/10W (DA30ES)	
R376	1-216-077-00	METAL CHIP	15K	5%	1/10W (DA50ES/V55ES)	

以阴影和△标志来识别的零部件在安全方面具有关键性。因此只能以规定号码的零部件来更换。

The components identified by mark △ or dotted line with mark △ are critical for safety. Replace only with part number specified.

Les composants identifiés par une marque △ sont critiques pour la sécurité. Ne les remplacer que par une pièce portant le numéro spécifié.

5.1 INPUT

Ref. No.	Part No.	Description	Remarks	Ref. No.	Part No.	Description	Remarks
R376	1-216-075-00	METAL CHIP	12K 5% 1/10W (DA30ES)	3-810-765-11		MANUAL,COMMONNESS INSTRUCTION (ENGLISH)(DA30ES/DA50ES:US,CND)	
R377	1-216-077-00	METAL CHIP	15K 5% 1/10W (DA50ES/V55ES)	3-810-765-21		MANUAL,COMMONNESS INSTRUCTION (ENGLISH/FRENCH/GERMAN/SPANISH/DUTCH/SEWDISH/ITALIAN/PORTUGUESE/CHINESE) (EXCEPT DA30ES/DA50ES:US,CND)	
R377	1-216-075-00	METAL CHIP	12K 5% 1/10W (DA30ES)	3-860-596-31		MANUAL,COMMONNESS INSTRUCTION (CHINESE)(V55ES)	
R378	1-216-077-00	METAL CHIP	15K 5% 1/10W (DA50ES/V55ES)	3-864-441-11		MANUAL,COMMONNESS INSTRUCTION (ENGLISH)(DA30ES)	
R378	1-216-075-00	METAL CHIP	12K 5% 1/10W (DA30ES)	3-864-441-21		MANUAL,COMMONNESS INSTRUCTION (ENGLISH/SPANISH)(DA30ES:CND)	
R380	1-216-049-91	RES,CHIP	1K 5% 1/10W	3-864-511-11		MANUAL,INSTRUCTION (ENGLISH)(DA30ES)	
R381	1-216-049-91	RES,CHIP	1K 5% 1/10W	3-864-511-21		MANUAL,INSTRUCTION (FRENCH)(DA30ES:CND)	
R382	1-216-049-91	RES,CHIP	1K 5% 1/10W	3-864-512-11		MANUAL,INSTRUCTION (ENGLISH) (DA50ES:US,CND,E,EA,PX,SP,MY)	
R383	1-216-049-91	RES,CHIP	1K 5% 1/10W	3-864-512-21		MANUAL,INSTRUCTION (FRENCH) (DA50ES:CND,E,EA,PX)	
R384	1-216-049-91	RES,CHIP	1K 5% 1/10W	3-864-512-31		MANUAL,INSTRUCTION (SPANISH) (DA50ES:E,EA,PX)	
R385	1-216-049-91	RES,CHIP	1K 5% 1/10W	3-864-512-41		MANUAL,INSTRUCTION (CHINESE)(DA50ES:SP,MY)	

MISCELLANEOUS							

56	1-698-792-11	FAN, DC (DA50ES/V55ES)		3-864-512-51		MANUAL,INSTRUCTION (ENGLISH/CHINESE)(V55ES)	
68	1-693-407-11	TUNER (DA30ES/DA50ES:US,CND,E,EA,PX)		3-864-512-61		MANUAL,INSTRUCTION (ENGLISH/FRENCH/DUTCH/SWEDISH) (DA50ES:AEP,UK,G,EE,AUS)	
68	1-693-409-11	TUNER (DA50ES:AEP,UK,G,EE,AUS,SP,MY/V55ES)		3-864-512-71		MANUAL,INSTRUCTION (GERMAN/SPANISH/ITALIAN/PORTUGUESE) (DA50ES:AEP,UK,G,EE,AUS)	
74	1-773-115-11	WIRE (FLAT TYPE) (19 CORE)		3-864-784-11		MANUAL,INSTRUCTION (RM-TP501) (ENGLISH) (DA50ES/V55ES)	
△80	1-569-008-21	ADAPTOR, CONVERSION 2P (E,EA,PX)		3-864-784-21		MANUAL,INSTRUCTION (RM-TP501) (FRENCH/SPANISH) (DA50ES:CND,AEP,UK,G,EE,AUS,E,PX,EA)	
△81	1-559-479-11	CORD, POWER (US,CND)		3-864-784-31		MANUAL,INSTRUCTION (RM-TP501) (DUTCH/SWEDISH/GERMAN/ITALIAN/PORTUGUESE) (DA50ES:AEP,UK,G,EE,AUS)	
△81	1-776-095-11	CORD, POWER (EXCEPT US,CND,CH)		3-864-784-41		MANUAL,INSTRUCTION (RM-TP501) (CHINESE) (DA50ES:SP,MY/V55ES)	
△81	1-782-464-21	CORD, POWER (CH)		4-210-990-01		BATTERY CASE (for RM-LJ301) (DA30ES)	
△T901	1-431-921-11	TRANSFORMER, POWER (DA50ES:US)		4-997-648-11		COVER, BATTERY (For RM-TP501)	
△T901	1-431-922-11	TRANSFORMER, POWER (DA50ES:CND)		4-997-658-01		PEN (For RM-TP501)	
△T901	1-431-923-11	TRANSFORMER, POWER (DA50ES:AEP,UK,G,EE,AUS,SP,MY/V55ES)		*****			
△T901	1-431-924-11	TRANSFORMER, POWER (DA50ES:E,EA,PX)		*****			
△T901	1-431-925-11	TRANSFORMER, POWER (DA30ES:US)		*****			
△T901	1-431-926-11	TRANSFORMER, POWER (DA30ES:CND)		*****			

ACCESSORIES & PACKING MATERIALS							

1-475-726-11		REMOTE COMMANDER (RM-LJ301)(DA30ES)		*****			
1-475-727-11		REMOTE COMMANDER (RM-TP501) (DA50ES/V55ES)		*****			
1-501-374-11		ANTENNA, LOOP (AM)		*****			
1-501-594-11		ANTENNA (FM) (DA50ES:AEP,UK,G,EE,AUS,SP,MY/V55ES)		*****			
1-528-174-31		BATTERY, LITHIUM (CR2032 TYPE) (DA50ES/V55ES)		*****			

#1	7-685-646-79	SCREW +BVTP 3X8 TYPE2 IT-3		*****			
#2	7-685-881-09	SCREW +BVTT 4X8 (S)		*****			
#3	7-685-885-09	SCREW +BVTT 4X16 (S)		*****			
#4	7-685-872-09	SCREW +BVTT 3X8 (S)		*****			

以阴影和△标志来识别的零部件在安全方面具有关键性。因此只能以规定号码的零部件来更换。

The components identified by mark △ or dotted line with mark △ are critical for safety. Replace only with part number specified.

Les composants identifiés par une marque △ sont critiques pour la sécurité. Ne les remplacer que par une pièce portant le numéro spécifié.

