

STR-DE825/V818

SERVICE MANUAL

Ver 1.1 2003.12

US Model
Canadian Model
E Model
Australian Model
STR-DE825
Chinese Model
STR-V818



Photo : STR-DE825

Dolby Laboratories Licensing Corporation.
"DOLBY" the double-D symbol $\square\square$ "AC-3" and "PRO LOGIC"
are trademarks of Dolby Laboratories Licensing Corporation.

SPECIFICATIONS

AUDIO POWER SPECIFICATIONS

POWER OUTPUT AND TOTAL HARMONIC DISTORTION:

With 8 ohm loads, both channels driven, from 20 - 20,000 Hz; rated
100 watts per channel minimum RMS power, with no more than
0.09% total harmonic distortion from 250 milliwatts to rated output
(USA model only).

Amplifier section

POWER OUTPUT

Stereo mode (8 ohms 20 Hz - 20 kHz, THD 0.09%)

100 W + 100 W

Surround mode (8 ohms at 1 kHz, THD 0.8%)

Front: 100 W/ch

Center^{a)}: 100 W

Rear^{a)}: 100 W/ch

a) Depending on the sound field settings and the source, there may be no
sound output.

Dynamic power output

155 W + 155 W, 8 ohms

220 W + 220 W, 4 ohms

Harmonic distortion at rated output

Less than 0.09% (with sound field, tone, and bass
booster bypassed)

Frequency response

PHONO: RIAA

equalization curve

± 0.5 dB

CD, TAPE, MD/DAT, TAPE/MD, DVD/LD, TV/DBS,
VIDEO 1 and VIDEO 2 :

10 Hz - 50 kHz $+0.5/-2$ dB (with sound field, tone,
and bass booster bypassed)

Inputs (Analog) PHONO:

Sensitivity: 2.5 mV

Impedance: 50 kilohms

S/N^{b)}: 75 dB (A, 2.5 mV^{c)})

CD, DVD/LD, TAPE, MD/DAT, TAPE/MD, TV/DBS,

VIDEO 1 and VIDEO 2 :

Sensitivity: 150 mV

Impedance: 50 kilohms

S/N^{b)}: 82 dB (A, 150 mV^{c)})

b) 78' IHF

c) Weighted network, input level

Inputs (Digital) DVD/LD (coaxial):

Sensitivity: -

Impedance: 75 ohms

S/N: 100 dB (A, 20 kHz LPF)

DVD/LD, TV/DBS, MD/DAT (Optical):

Sensitivity: -

Impedance: -

S/N: 100 dB (A, 20 kHz LPF)

Outputs

TAPE, MD/DAT, TAPE/MD, (REC OUT); VIDEO 1, 2

(AUDIO OUT):

Voltage: 150 mV

Impedance: 10 kilohms

WOOFER:

Voltage: 2 V

Impedance: 1 kilohms

PHONES:

Accepts low - and high-impedance headphones

— Continued on next page —

9-922-897-12

2003L16-1

© 2003.12

Sony Corporation

Home Audio Company

Published by Sony Engineering Corporation

FM STEREO FM-AM RECORDER

SONY®

BASS BOOST +6 dB at 70 Hz
Sampling Frequency 48 kHz
EQ BASS:
 100 Hz ~ 1.0 kHz (21 steps)
 MID:
 500 Hz ~ 5.0 kHz (21 steps)
 TREBLE:
 1.0 kHz ~ 10 kHz (21 steps)
 Gain levels:
 ±10 dB, 1 dB step

FM tuner section

Tuning range 87.5 - 108.0 MHz
Antenna terminals 75 ohms, unbalanced
Sensitivity Mono: 18.3 dBf, 4.5 µV
 Stereo: 38.3 dBf, 45 µV
Usable sensitivity 11.2 dBf, 2 µV (IHF)
S/N Mono: 76 dB
 Stereo: 70 dB
Harmonic distortion at 1 kHz
 Mono: 0.3 %
 Stereo: 0.5 %
Separation 45 dB at 1 kHz
Frequency response 30 Hz - 15 kHz +0.5/-2 dB
Selectivity 60 dB at 400 kHz

AM tuner section

Tuning range With 10-kHz tuning scale:
 530 - 1710 kHz^① (US, Canadian)
 530 - 1610 kHz^① (Except US, Canadian)
 With 9-kHz tuning scale:
 531 - 1710 kHz^① (US, Canadian)
 531 - 1602 kHz^① (Except US, Canadian)
Antenna Loop antenna
Usable sensitivity 50 dB/m (at 1,000 kHz or 999 kHz)
S/N 54 dB (at 50 mV/m)

Harmonic distortion

0.5% (50 mV/m, 400 kHz)
Selectivity At 9 kHz: 35 dB
 At 10 kHz: 40 dB

d) You can change the AM tuning scale to 9 kHz. After tuning in any AM station, turn off the receiver. Hold down the TUNING + button and press the I/⏪ button. All preset stations will be erased when you change the tuning scale. To reset the scale to 10 kHz, repeat the procedure.

Video section

Input 1 V_{p-p} 75 ohms
Outputs 1 V_{p-p} 75 ohms

General

System Tuner section:
 PLL quartz-locked digital synthesizer system
 Preamp section:
 Low-noise NF type equalizer
 Power amplifier section:
 Pure-complementary SEPP

Power requirements

US and Canadian models:
 120 V AC, 60 Hz
 Australian model:
 240 V AC, 50 Hz
 Singapore, Chinese, Malaysia models:
 220 - 230 V AC, 50/60 Hz

Power consumption

US, Singapore, Chinese, Malaysia: 290 W
 Canadian: 480 VA
 Australian model: 300W

AC outlets 2 switched, total 100 W

Dimensions 430 × 355 × 157.5 mm
 (17 × 14 × 6¹/₄ in.)
 including projecting parts and controls

Mass (Approx.) 10.5 kg (23 lb 3 oz)

Supplied accessories

- FM wire antenna (1)
- AM loop antenna (1)
- Remote commander RM-LJ301 (remote) (1)
- LR6 (size-AA) alkaline batteries (3)
- Audio/video/control S connecting cord (1)
- Control S connecting cord (1)

Design and specifications are subject to change without notice.

SAFETY CHECK-OUT

After correcting the original service problem, perform the following safety checks before releasing the set to the customer: Check the antenna terminals, metal trim, “metallized” knobs, screws, and all other exposed metal parts for AC leakage. Check leakage as described below.

LEAKAGE

The AC leakage from any exposed metal part to earth ground and from all exposed metal parts to any exposed metal part having a return to chassis, must not exceed 0.5 mA (500 microamperes). Leakage current can be measured by any one of three methods.

1. A commercial leakage tester, such as the Simpson 229 or RCA WT-540A. Follow the manufacturers’ instructions to use these instruments.
2. A battery-operated AC milliammeter. The Data Precision 245 digital multimeter is suitable for this job.
3. Measuring the voltage drop across a resistor by means of a VOM or battery-operated AC voltmeter. The “limit” indication is 0.75 V, so analog meters must have an accurate low-voltage scale. The Simpson 250 and Sanwa SH-63Trd are examples of a passive VOM that is suitable. Nearly all battery operated digital multimeters that have a 2V AC range are suitable. (See Fig. A)

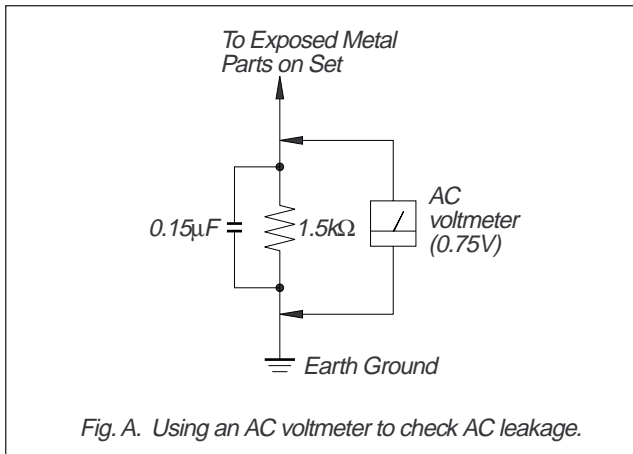


Fig. A. Using an AC voltmeter to check AC leakage.

TABLE OF CONTENTS

1. GENERAL	4
2. TEST MODE	6
3. DIAGRAMS	
3-1. Circuit Boards Location	7
3-2. Block Diagram — Main Section —	9
3-3. Block Diagram — Power Section —	11
3-4. Printed Wiring Board — AMP Section —	13
3-5. Schematic Diagram — AMP Section —	15
3-6. Printed Wiring Board — Video Section —	17
3-7. Schematic Diagram — Video Section —	19
3-8. Printed Wiring Board — AUDIO Section —	21
3-9. Schematic Diagram — AUDIO Section —	23
3-10. Printed Wiring Board — Input Section —	25
3-11. Schematic Diagram — Input Section —	27
3-12. Printed Wiring Board — Display Section —	29
3-13. Schematic Diagram — Display Section —	31
3-14. Printed Wiring Board — SPEAKER Section —	33
3-15. Schematic Diagram — SPEAKER Section —	35
3-16. Printed Wiring Board — Power Section —	37
3-17. Schematic Diagram — Power Section —	39
3-18. Printed Wiring Board — DIGITAL (SIDE A) Section —	41
3-19. Printed Wiring Board — DIGITAL (SIDE B) Section —	43
3-20. Schematic Diagram — DIGITAL Section (1/3) —	45
3-21. Schematic Diagram — DIGITAL Section (2/3) —	47
3-22. Schematic Diagram — DIGITAL Section (2/3) —	49
3-23. IC Pin Function Description	51
3-24. IC Block Diagrams	61
4. EXPLODED VIEWS	
4-1. Front Panel Section	64
4-2. Chassis Section	65
5. ELECTRICAL PARTS LIST	66

SAFETY-RELATED COMPONENT WARNING!!

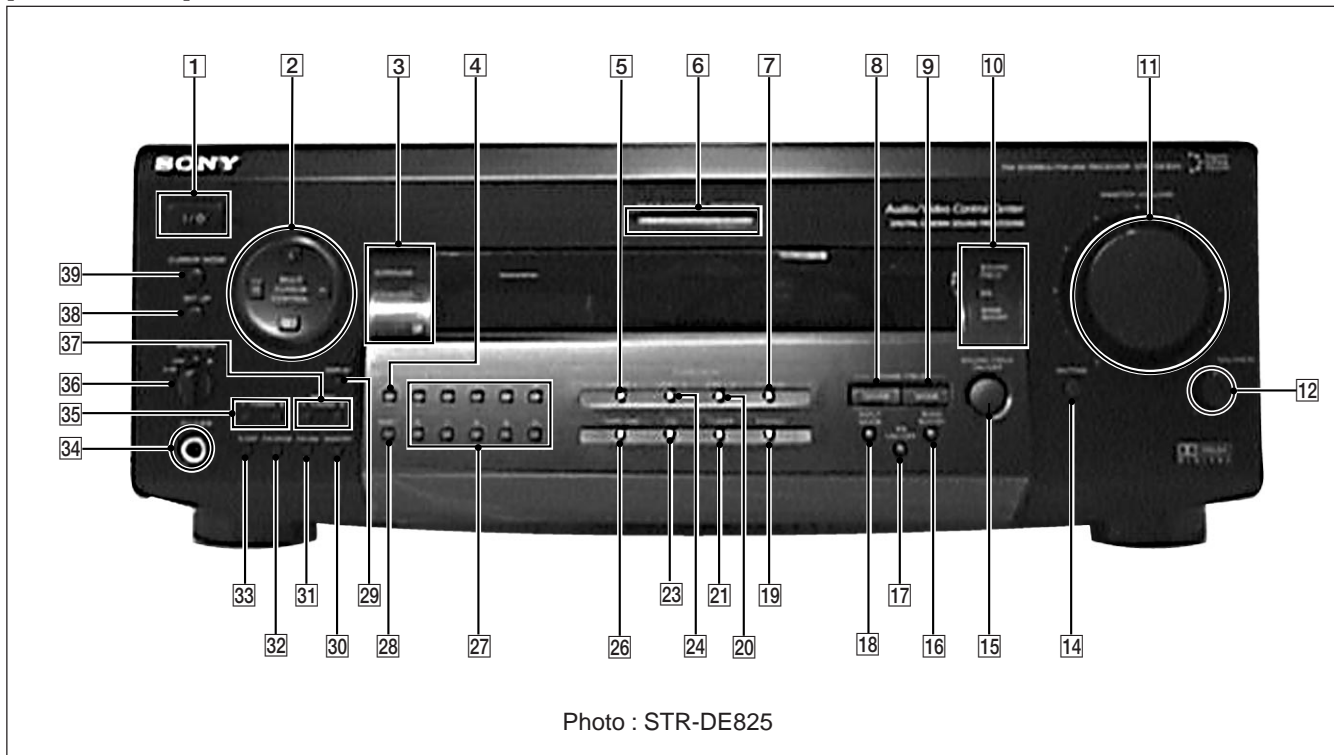
COMPONENTS IDENTIFIED BY MARK \triangle OR DOTTED LINE WITH MARK \triangle ON THE SCHEMATIC DIAGRAMS AND IN THE PARTS LIST ARE CRITICAL TO SAFE OPERATION. REPLACE THESE COMPONENTS WITH SONY PARTS WHOSE PART NUMBERS APPEAR AS SHOWN IN THIS MANUAL OR IN SUPPLEMENTS PUBLISHED BY SONY.

ATTENTION AU COMPOSANT AYANT RAPPORT À LA SÉCURITÉ!

LES COMPOSANTS IDENTIFIÉS PAR UNE MARQUE \triangle SUR LES DIAGRAMMES SCHÉMATIQUES ET LA LISTE DES PIÈCES SONT CRITIQUES POUR LA SÉCURITÉ DE FONCTIONNEMENT. NE REMPLACER CES COMPOSANTS QUE PAR DES PIÈCES SONY DONT LES NUMÉROS SONT DONNÉS DANS CE MANUEL OU DANS LES SUPPLÉMENTS PUBLIÉS PAR SONY.

SECTION 1 GENERAL

LOCATION AND FUNCTION OF CONTROLS [FRONT PANEL]



- | | |
|--|--------------------------------------|
| 1 I/⏻ (POWER) button | 20 DVD/LD |
| 2 MULTI CURSOR CONTROL | 21 TUNER button |
| 3 SURROUND, EQUALIZER, INDEX indicators | 23 CD button |
| 4 DIRECT TUNING button | 24 VIDEO 2 button |
| 5 VIDEO 1 button | 26 TAPE/MD button |
| 6 MULTI CHANNEL DECODING indicator | 27 Numeric buttons |
| 7 TV/DBS button (DE825) | 28 SHIFT button |
| 7 TV/LD button (V818) | 29 DISPLAY button |
| 8 SOUND FIELD GENRE button | 30 MEMORY button |
| 9 SOUND FIELD MODE button | 31 FM/AM button |
| 10 SOUND FIELD, EQ, BASS BOOST indicators | 32 FM MODE button |
| 11 MASTER VOLUME control | 33 SLEEP button |
| 12 BALANCE control | 34 PHONES jack |
| 14 MUTING button | 35 TUNING +, – buttons |
| 15 SOUND FIELD ON/OFF button | 36 SPEAKERS A, B switche |
| 16 BASS BOOST button | 37 PRESET TUNING +, – buttons |
| 17 EQ ON/OFF button | 38 SET UP button |
| 18 INPUT MODE button | 39 CURSOR MODE button |
| 19 PHONO button | |

[REAR PANEL]

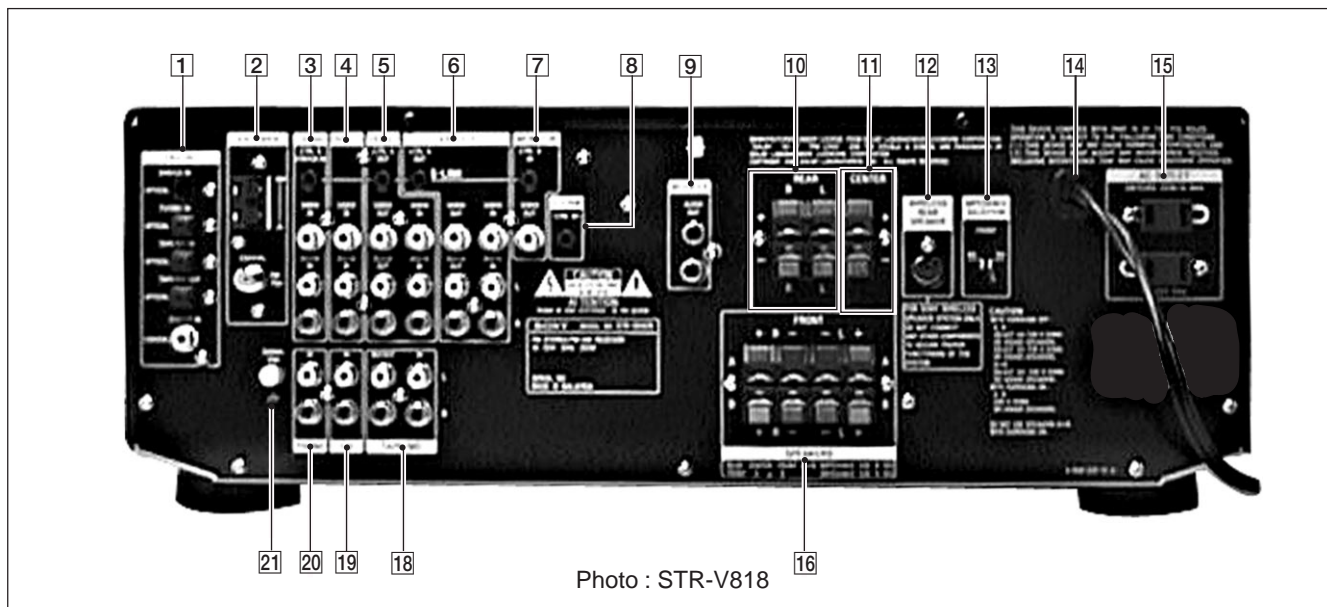


Photo : STR-V818

- | | |
|--|---|
| <ul style="list-style-type: none"> 1 DIGITAL 2 ANTENNA (FM/AM) 3 TV/LD 4 DVD/LD (DE825) 4 DVD (V818) 5 VIDEO 2 6 VIDEO 1 7 MONITOR 8 S-LINK 9 WOOFER 10 SPEAKERS (REAR) | <ul style="list-style-type: none"> 11 SPEAKER (CENTER) 12 WIRELESS REAR SPEAKER 13 IMPEDANCE SELECTOR 14 AC power cord 15 AC OUTLET 16 FRONT SPEAKERS (A/B) 18 SPEAKERS (FRONT) 19 CD 20 PHONO 21 \perp SIGNAL GND |
|--|---|

SECTION 2

TEST MODE

FLUORESCENT INDICATOR TUBE TEST MODE

* All fluorescent segments are tested. When this test is activated, all segments turn on at the same time, then each segment turns on one after another.

* Procedure:

While depressing the SET UP and the SOUND FIELD MODE buttons simultaneously, press the power [I/⏻] button to turn on the main power. All segments turn on at the same time, then each segment turns on one after another.

FACTORY SET MODE

* All preset contents are reset to the default setting.

* Procedure:

While depressing the SET UP and the SOUND FIELD ON/OFF buttons simultaneously, press the power [I/⏻] button to turn on the main power. The message FACTORY SET appears and the present contents are reset to the default values.

ALL CLEAR MODE

* All preset contents are cleared when this mode is activated. Use this mode before returning the product to clients upon completion of repair.

* Procedure:

While depressing the DISPLAY and the SOUND FIELD ON/OFF buttons simultaneously, press the power [I/⏻] button to turn on the main power. The machine enters the DEMO mode. DEMO mode: Wait a while, then the demonstration starts. If the power [I/⏻] button is pressed often the demonstration has started, the power is turned off, and the demonstration resumes if the power [I/⏻] button is pressed again.

ALL CLEAR mode; If the power [I/⏻] button is pressed often the machine enters the DEMO mode, but before the demonstration starts, the display is turned off. Press [I/⏻] again. No response is returned. The press [I/⏻] again. The preset data is cleared and the machine enters the normal power-on state.

SOUND FIELD CLEAR MODE

* The preset sound field is cleared when this mode is activated. Use this mode before returning the product to clients upon completion of repair.

* Procedure:

While depressing the SOUND FIELD ON/OFF button, press the power [I/⏻] button to turn on the main power. The message SURR CLEAR! appears and initialization is performed.

AM CHANNEL STEP 9 kHz/10 kHz SELECTION MODE

* Either the 9 kHz step or 10 kHz step can be selected for the AM channel step.

* Procedure:

Set the FUNCTION to AM. Turn off the main power. While depressing the TUNING+ button or the PRESET TUNING + button, press the power [I/⏻] button to turn on the main power. Either the message AM 9kHz STEP or AM 10kHz STEP appears. Select the desired step.

DSP TEST MODE

* Procedure:

While depressing the SET UP and the SOUND FIELD GENRE buttons simultaneously, press the power [I/⏻] button to turn on the main power. The message DSP NO ERROR or DSP ERROR.

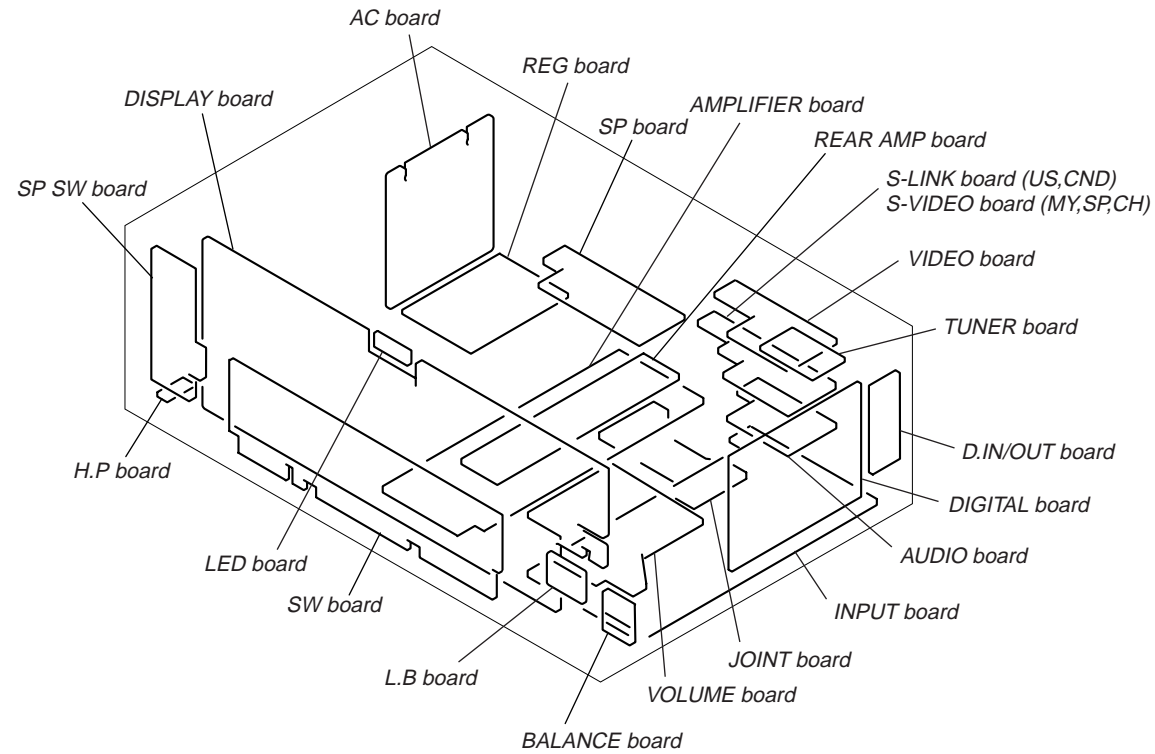
DTS MODE

* Procedure:

While depressing the MULTI CURSOR CONTROL UP [^] and DOWN [v] buttons simultaneously, press the power [I/⏻] button to turn on the main power. The message ATTENUATE OFF or ATTENUATE ON.

SECTION 3 DIAGRAMS

3-1. CIRCUIT BOARDS LOCATION



- Abbreviation
- CND :Canadian
- MY :Malaysia
- SP :Singapore
- CH :Chinese
- AUS :Australian

THIS NOTE IS COMMON FOR PRINTED WIRING BOARDS AND SCHEMATIC DIAGRAMS.
(In addition to this necessary note is printed in each block.)

For schematic diagrams.

Note:

- All capacitors are in μF unless otherwise noted. pF: μpF
- 50 WV or less are not indicated except for electrolytics and tantalums.
- All resistors are in Ω and $\frac{1}{4}W$ or less unless otherwise specified.
- % : indicates tolerance.
- : nonflammable resistor.
- : fusible resistor.
- : panel designation.

Note:

The components identified by mark Δ or dotted line with mark Δ are critical for safety. Replace only with part number specified.

Note:

Les composants identifiés par une marque Δ sont critiques pour la sécurité. Ne les remplacer que par une pièce portant le numéro spécifié.

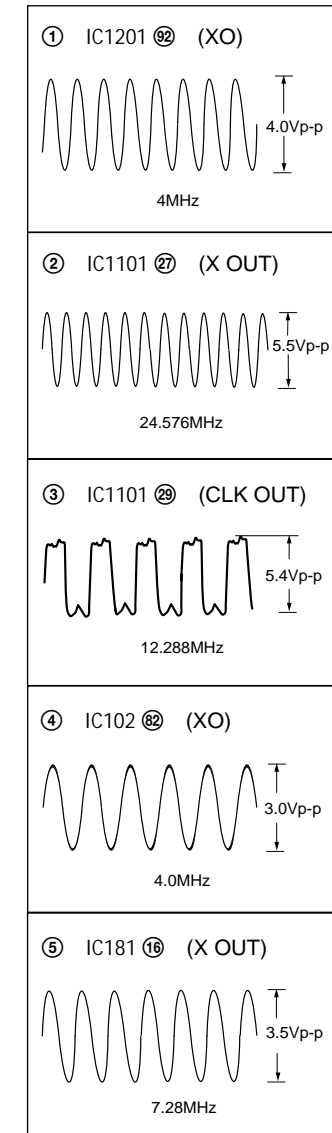
- : B+ Line.
- : B- Line.
- : adjustment for repair.
- Voltages and waveforms are dc with respect to ground under no-signal (detuned) conditions. No mark : FM
- Voltages are taken with a VOM (Input impedance 10 M Ω). Voltage variations may be noted due to normal production tolerances.
- Waveforms are taken with a oscilloscope.
- Circled numbers refer to waveforms.
- Signal path.
 - : FM
 - : CD
 - : DIGITAL
 - : PHONO
- Abbreviation
 - CND :Canadian
 - MY :Malaysia
 - SP :Singapore
 - CH :Chinese
 - AUS :Australian

For printed wiring boards.

Note:

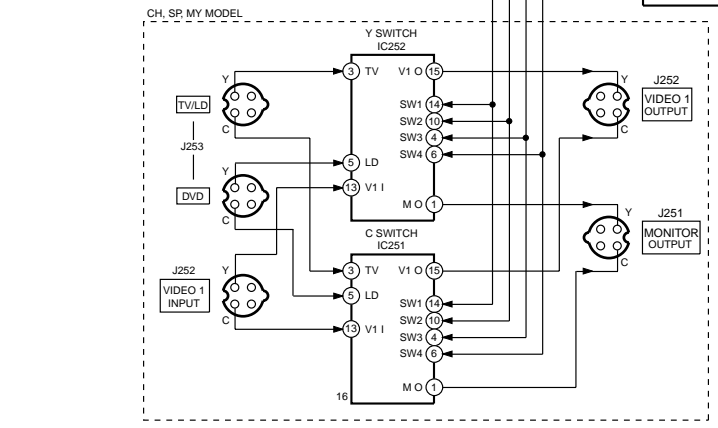
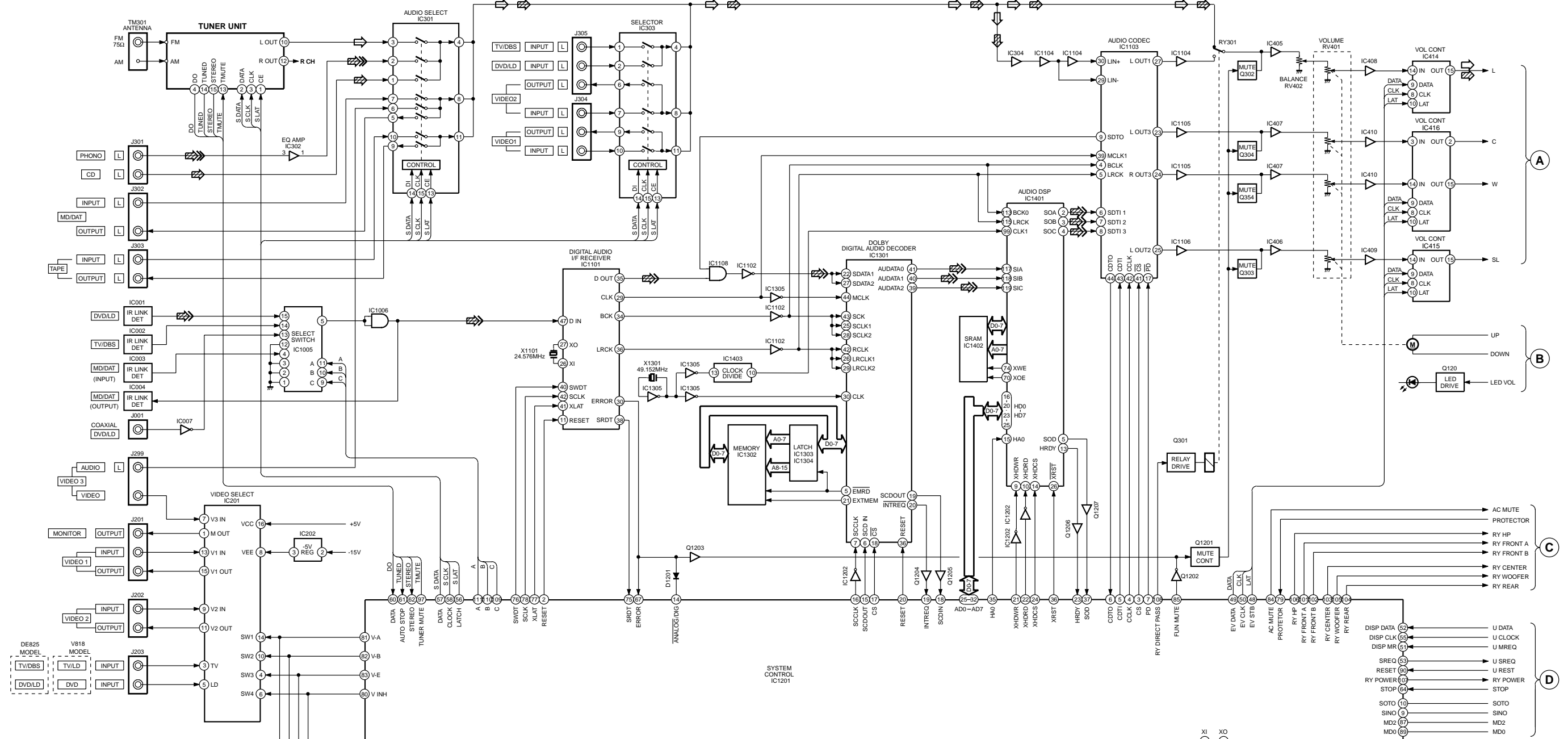
- : parts extracted from the component side.
- : Through hole.
- : Pattern from the side which enables seeing.

• Waveform



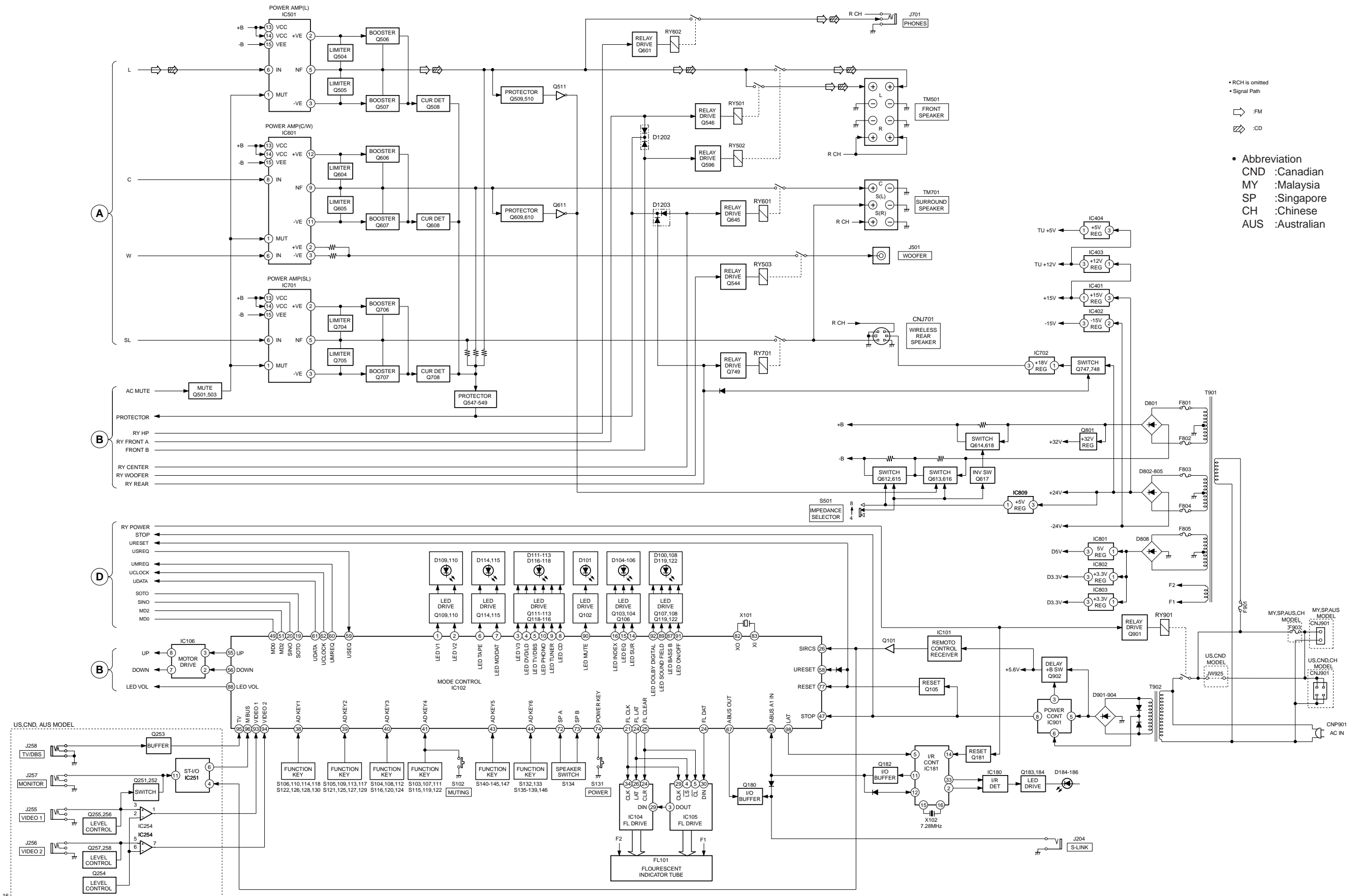
STR-DE825/V818

3-2. BLOCK DIAGRAM – MAIN SECTION –



- RCH is omitted
 - Signal Path
 - ◻ : FM
 - ◻◻◻ : PHONO
 - ◻◻ : CD
 - ◻◻◻◻ : DIGITAL
-
- Abbreviation
 - CND :Canadian
 - EA :Saudi Arabia
 - MY :Malaysia
 - SP :Singapore
 - CH :Chinese
 - AUS :Australian

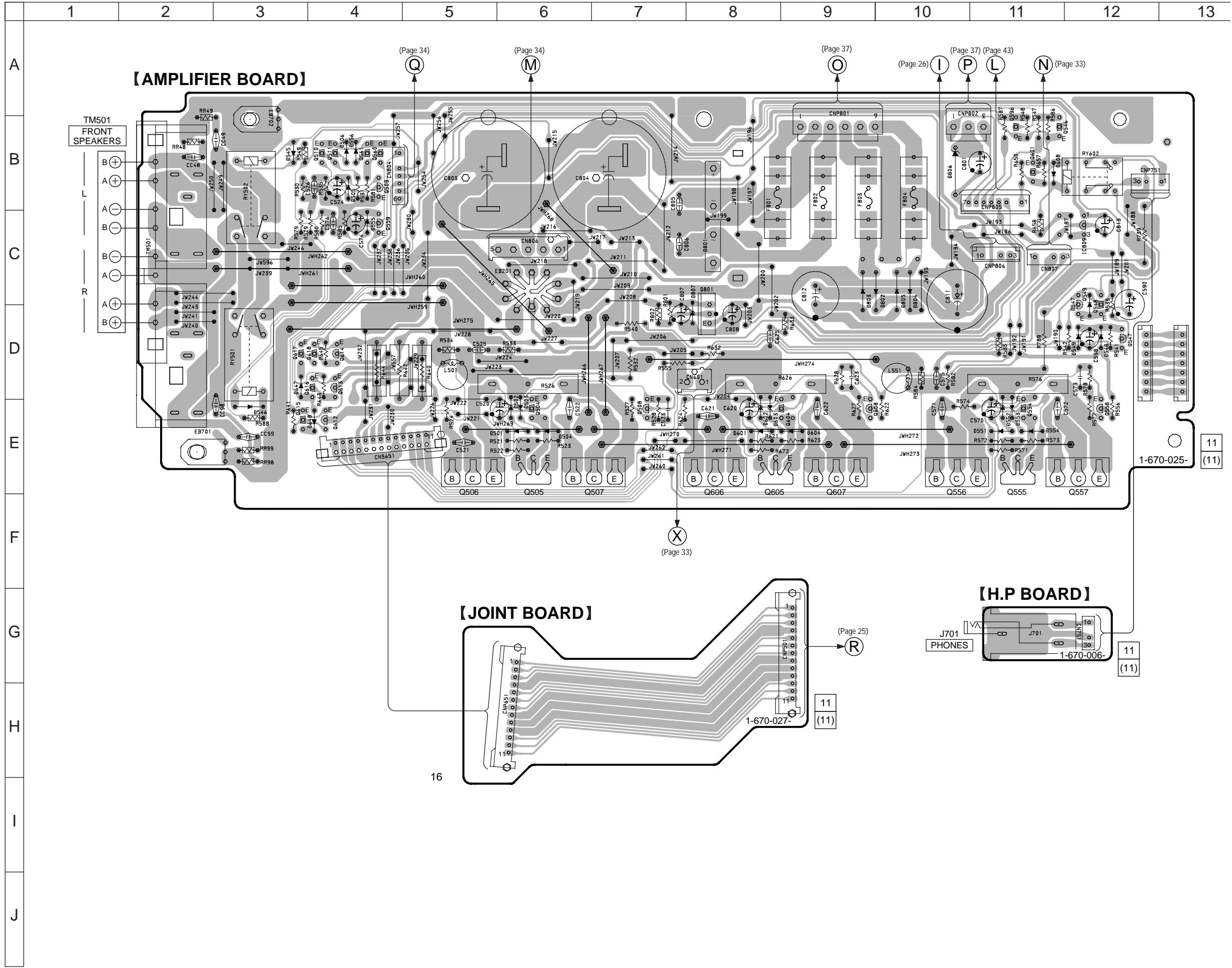
3-3. BLOCK DIAGRAM – POWER SECTION –



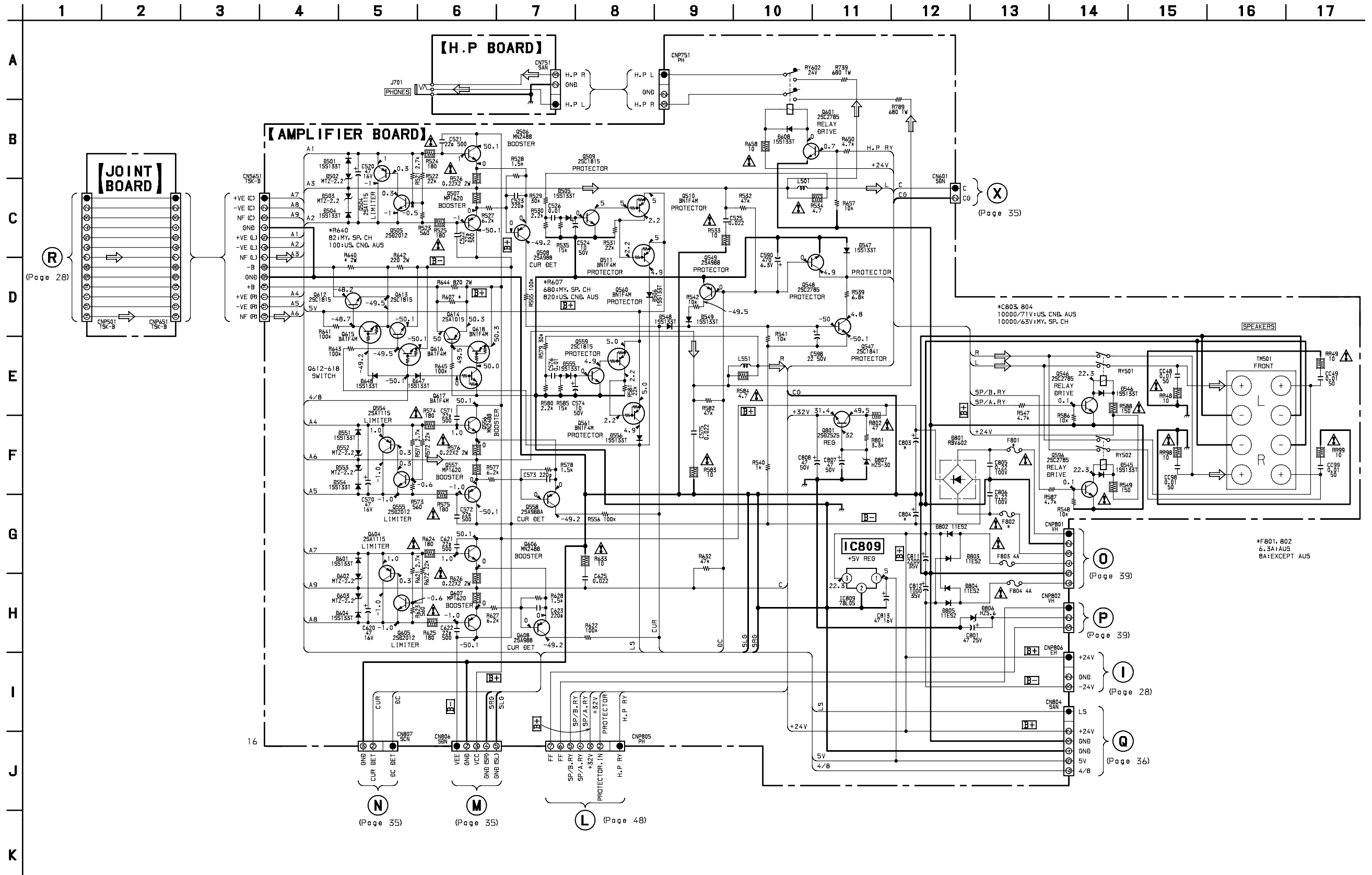
- RCH is omitted
- Signal Path
- ◁ :FM
- ⊘ :CD
- Abbreviation
- CND :Canadian
- MY :Malaysia
- SP :Singapore
- CH :Chinese
- AUS :Australian

• Semiconductor Location

Ref. No.	Location
D501	E-6
D502	E-6
D503	E-6
D504	E-6
D505	B-4
D506	B-4
D545	B-3
D546	E-3
D547	D-12
D548	D-12
D549	D-12
D551	E-11
D552	E-11
D553	E-11
D554	E-11
D555	C-4
D556	B-4
D601	E-8
D602	E-8
D603	E-8
D604	E-9
D608	C-11
D647	D-3
D648	E-4
D801	C-8
D802	D-10
D803	C-9
D804	D-10
D805	D-10
D806	B-10
D807	D-8
IC809	C-12
Q504	E-6
Q505	E-6
Q506	E-5
Q507	F-7
Q508	E-7
Q509	B-4
Q510	B-4
Q511	B-4
Q546	B-11
Q547	D-12
Q548	D-12
Q549	D-12
Q554	E-11
Q555	E-11
Q556	E-10
Q557	E-12
Q558	E-12
Q559	C-4
Q560	B-4
Q561	B-4
Q596	B-11
Q601	B-11
Q604	E-9
Q605	E-8
Q606	E-8
Q607	E-9
Q608	E-9
Q612	E-4
Q613	D-4
Q614	D-4
Q615	E-3
Q616	D-3
Q617	D-3
Q618	D-3
Q801	D-8



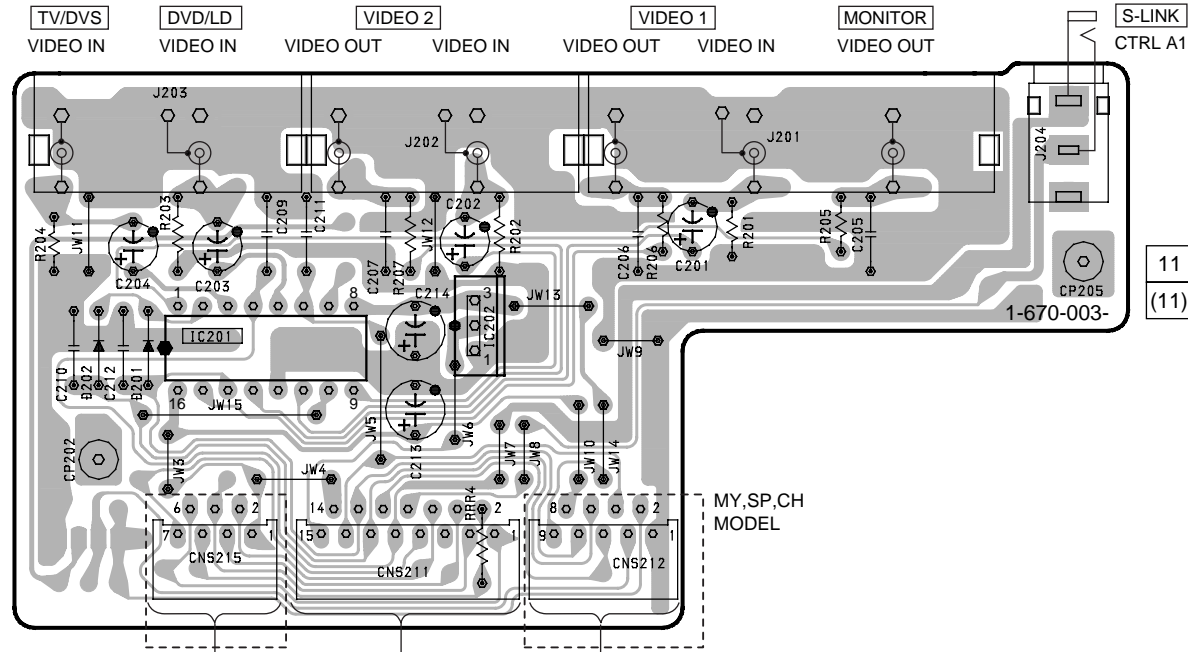
3-5. SCHEMATIC DIAGRAM — AMP SECTION —



1 2 3 4 5 6 7 8 9 10 11 12 13 14

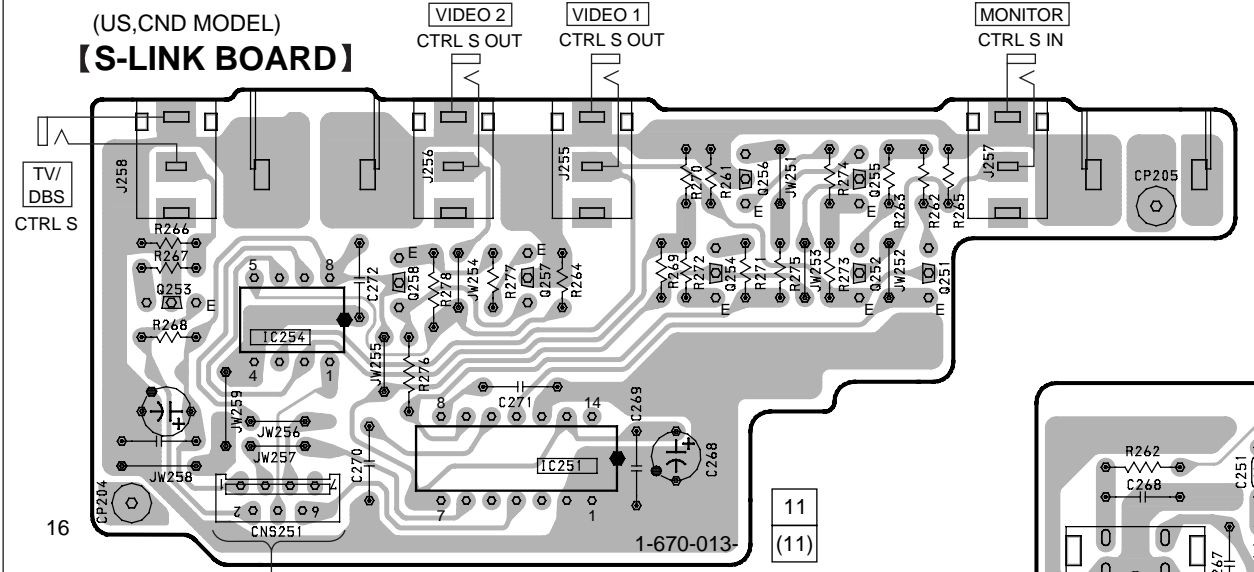
A
B
C
D
E
F
G
H
I
J

[VIDEO BOARD]

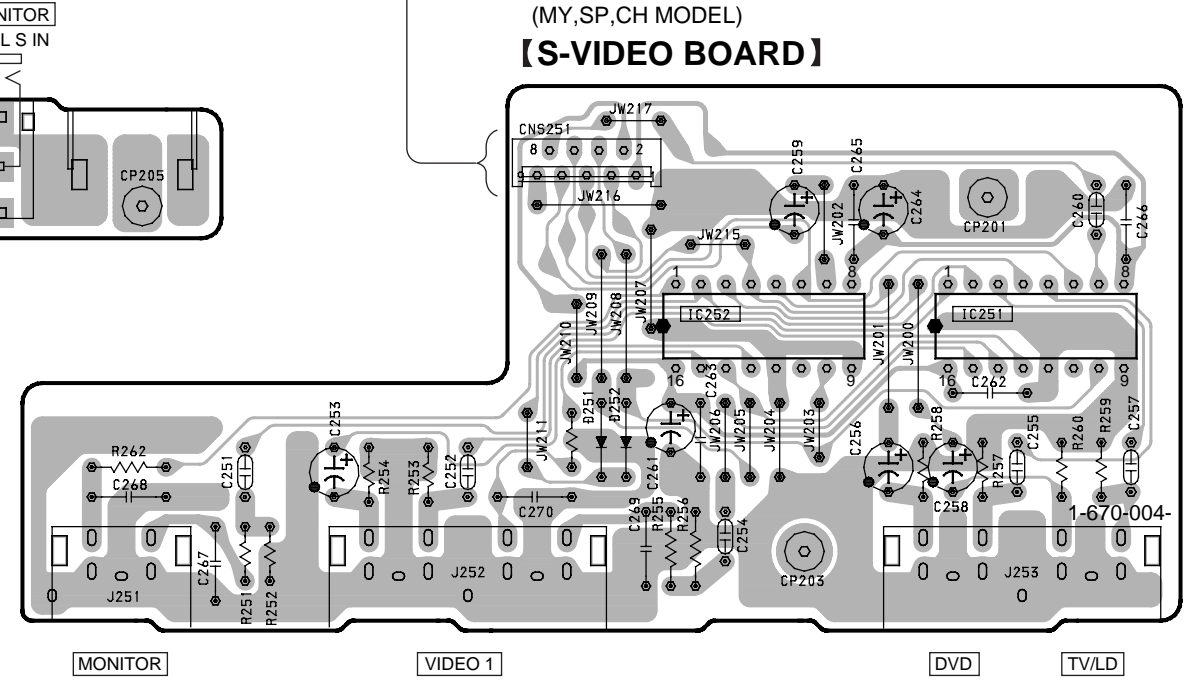


(Page 29)

**(US,CND MODEL)
[S-LINK BOARD]**



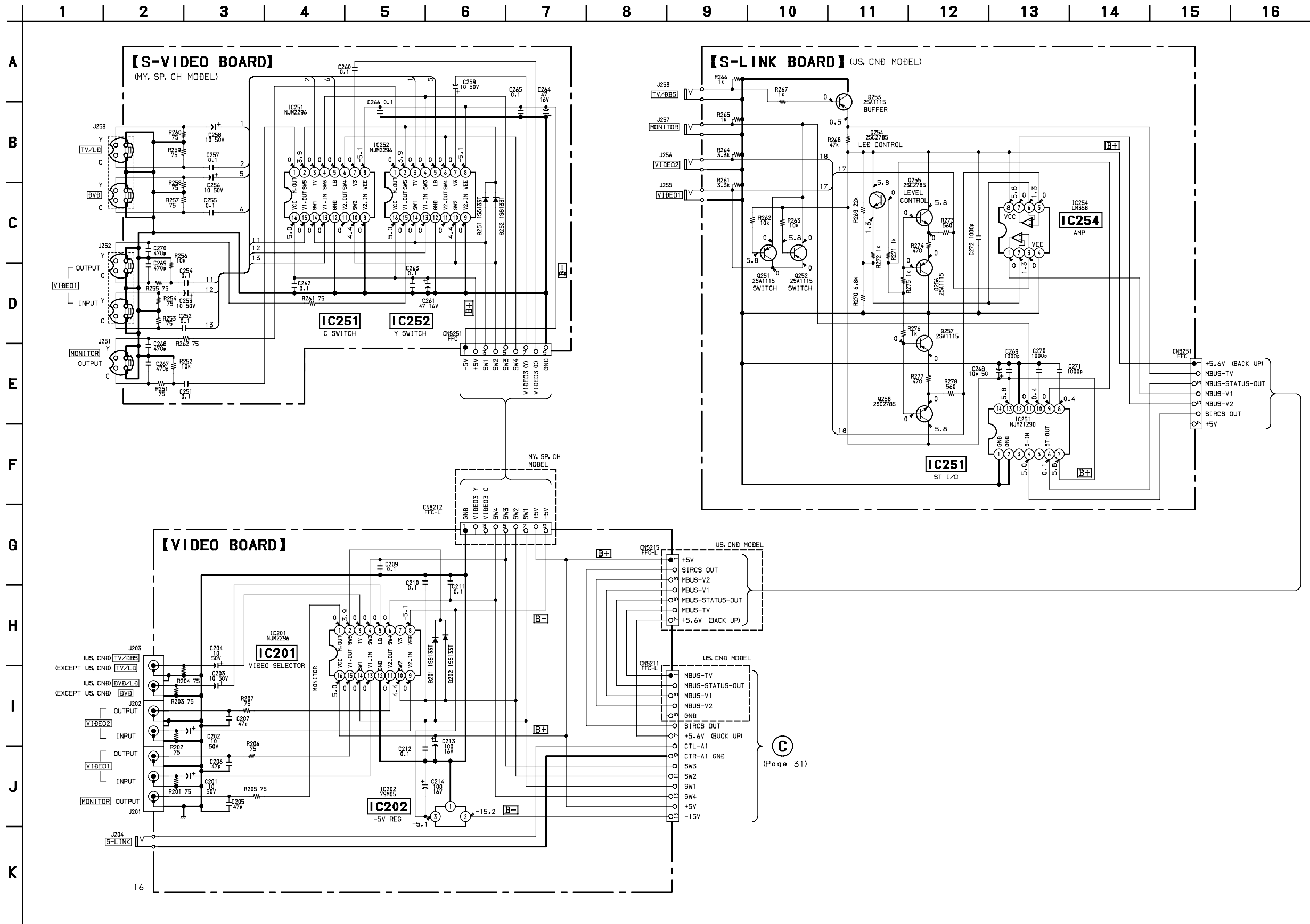
**(MY,SP,CH MODEL)
[S-VIDEO BOARD]**



• Semiconductor Location

Ref. No.	Location
D201	C-2
D202	C-2
D251	I-11
D252	I-11
IC201	C-2
IC202	C-4
IC251	H-13
IC251	I-4
IC252	H-12
IC254	H-3
Q251	H-7
Q252	H-6
Q253	H-2
Q254	H-5
Q255	G-6
Q256	G-5
Q257	H-4
Q258	H-3

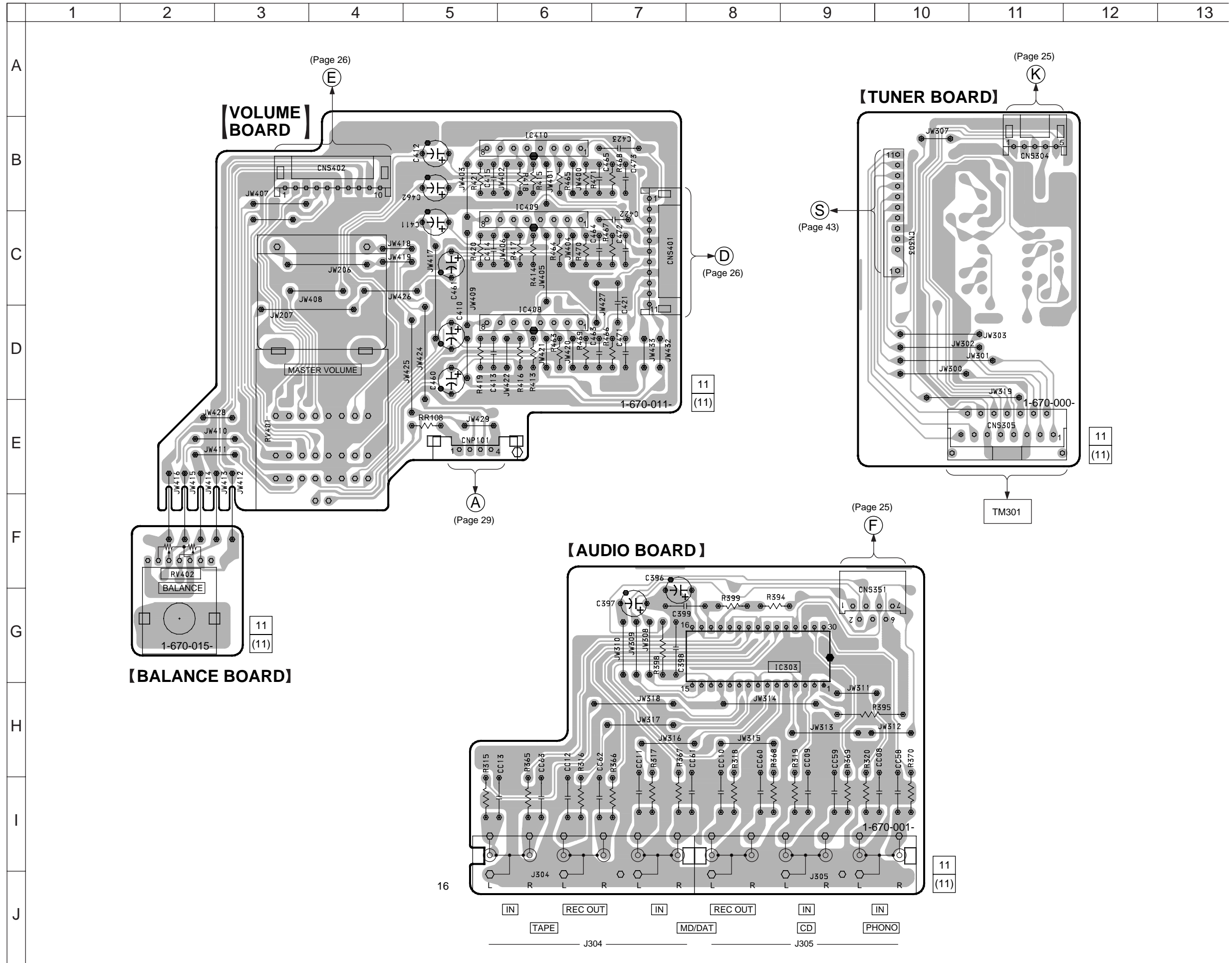
3-7. SCHEMATIC DIAGRAM — VIDEO SECTION — • See pages 60 for IC Block Diagrams.



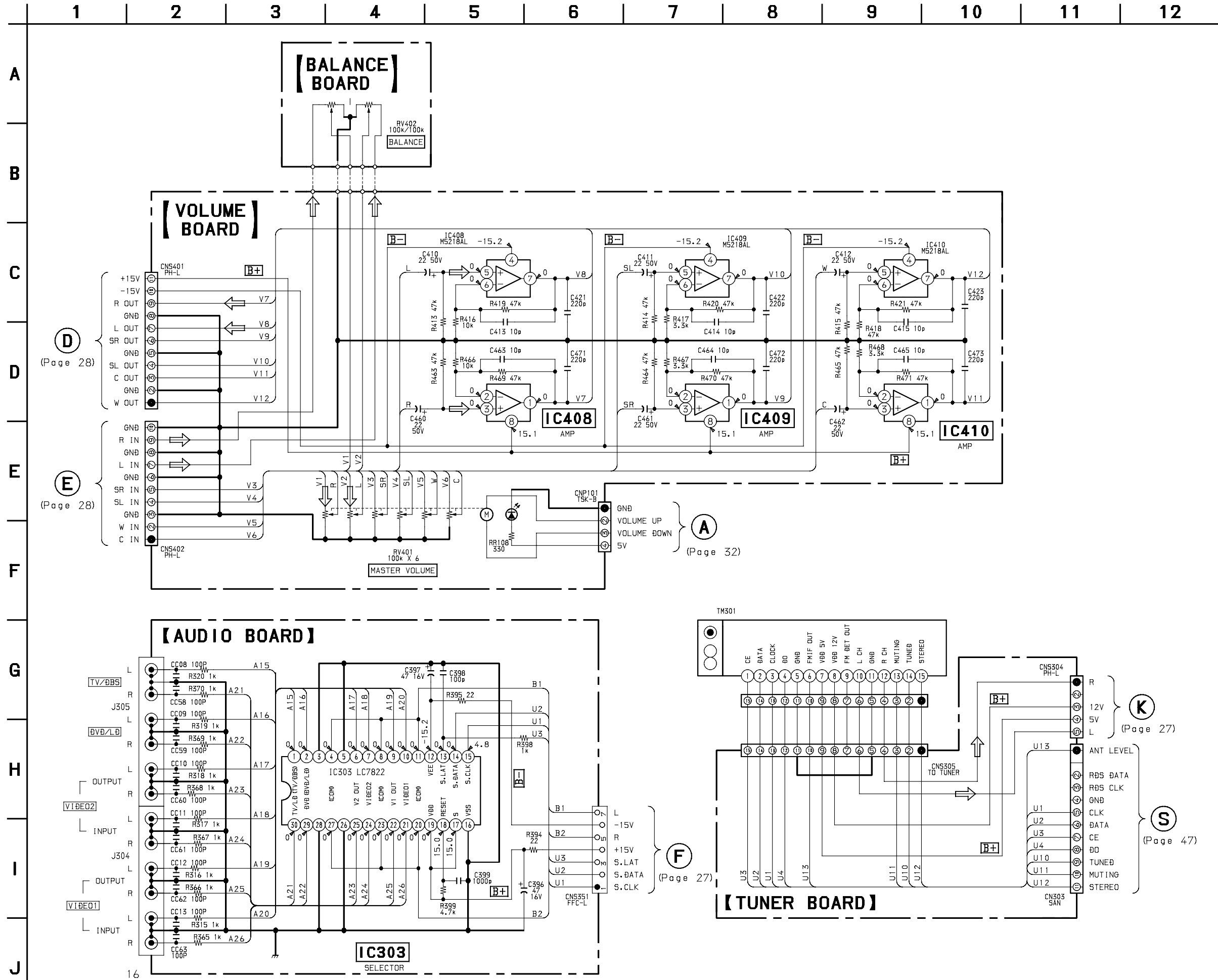
(Page 31)

• Semiconductor Location

Ref. No.	Location
IC303	G-8
IC408	D-6
IC409	C-6
IC410	B-6



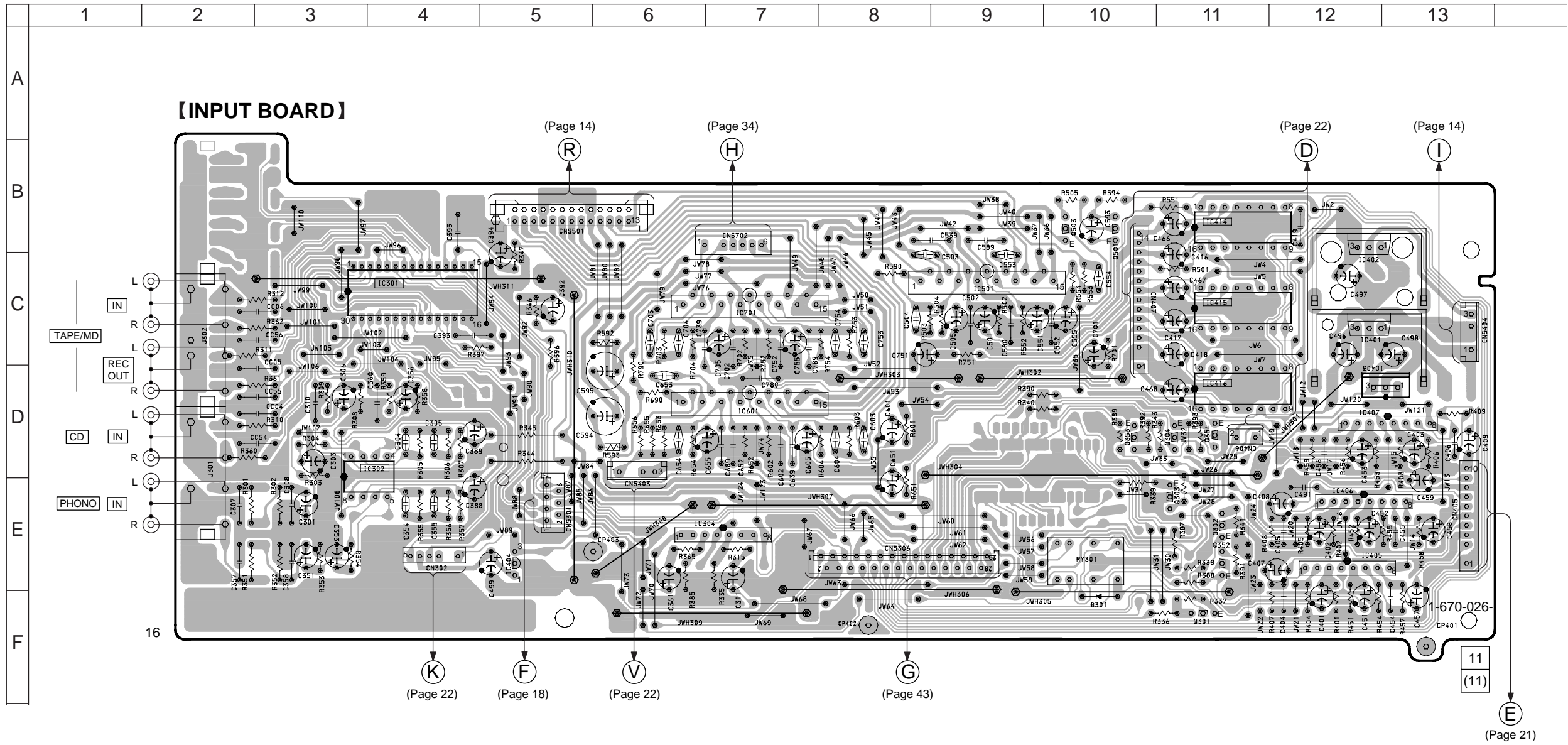
3-9. SCHEMATIC DIAGRAM — AUDIO SECTION —



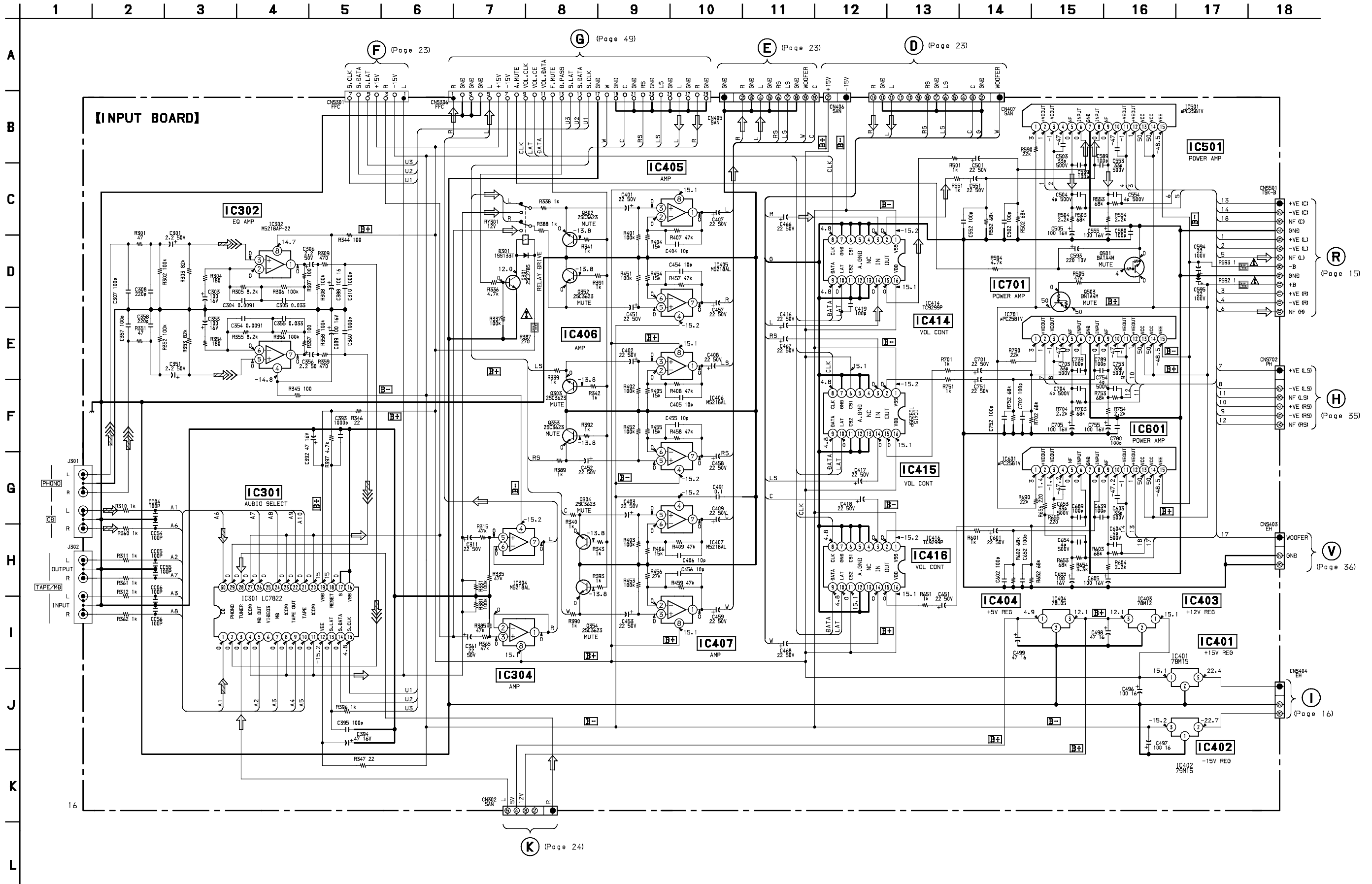
3-10. PRINTED WIRING BOARD — INPUT SECTION — • See page 7 for Circuit Boards Location.

• Semiconductor Location

Ref. No.	Location
D301	F-10
IC301	C-4
IC302	D-4
IC304	E-6
IC401	C-12
IC402	B-12
IC403	D-12
IC404	E-4
IC405	E-12
IC406	D-12
IC407	D-12
IC414	B-11
IC415	C-11
IC416	D-11
IC501	C-9
IC601	D-7
IC701	C-7
Q301	F-11
Q302	E-11
Q303	E-11
Q304	D-11
Q352	E-11
Q353	D-10
Q354	D-11
Q501	C-10
Q503	C-10

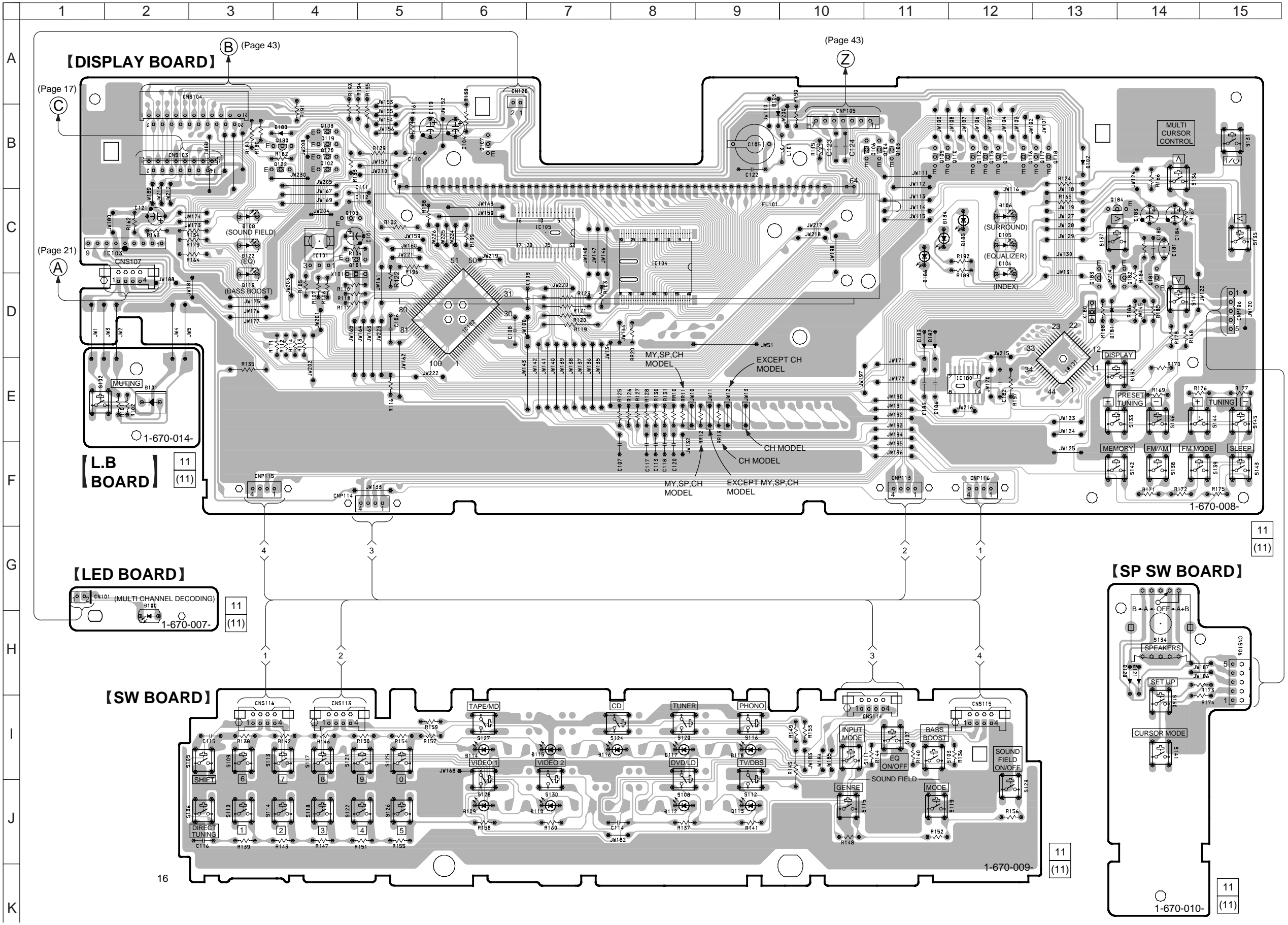


3-11. SCHEMATIC DIAGRAM — INPUT SECTION — • See page 60 for IC Block Diagrams.

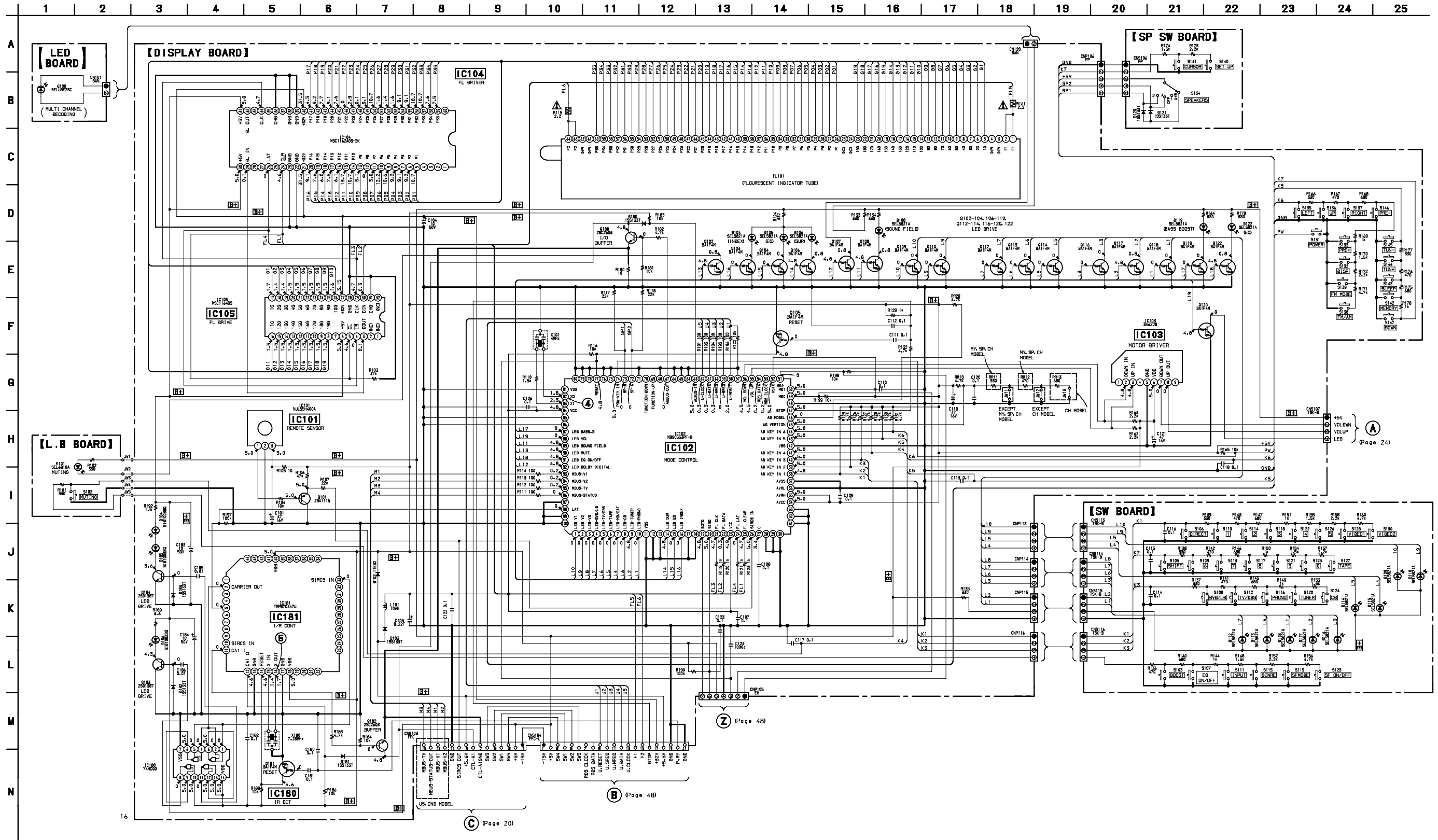


• Semiconductor Location

Ref. No.	Location
D100	H-2
D101	E-2
D102	B-13
D103	B-9
D104	C-12
D105	C-12
D106	C-12
D108	C-3
D109	J-6
D110	J-7
D111	J-7
D112	J-8
D113	J-9
D114	I-6
D115	I-7
D116	I-7
D117	I-8
D118	I-9
D119	D-3
D120	I-13
D121	I-14
D122	C-3
D180	B-3
D181	D-13
D182	E-11
D183	E-11
D184	C-11
D185	C-12
D186	C-11
IC101	C-4
IC102	D-6
IC103	C-1
IC104	D-8
IC105	C-7
IC180	E-12
IC181	E-13
Q101	C-4
Q102	B-4
Q103	B-11
Q104	B-11
Q105	C-4
Q106	B-11
Q107	B-6
Q108	B-4
Q109	B-11
Q110	B-11
Q111	B-12
Q112	B-12
Q113	B-12
Q114	B-12
Q115	B-12
Q116	B-12
Q117	B-13
Q118	B-13
Q119	B-4
Q120	B-4
Q122	B-3
Q180	B-3
Q181	C-14
Q182	C-14
Q183	C-13
Q184	C-13



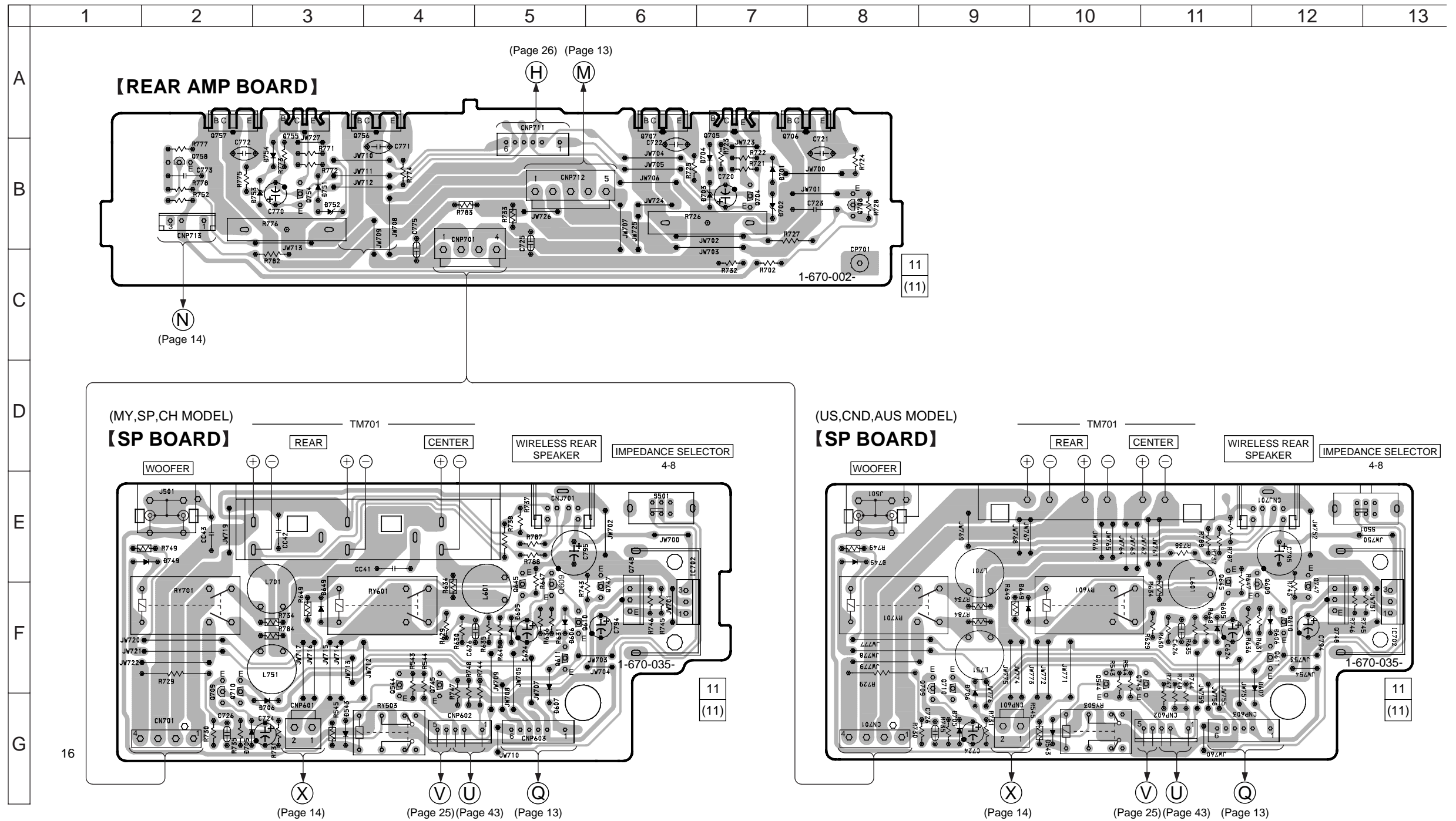
3-13. SCHEMATIC DIAGRAM — DISPLAY SECTION — • See page 8 for Waveform. • See page 51 for IC Pin Function Description. • See page 60 for IC Block Diagrams.



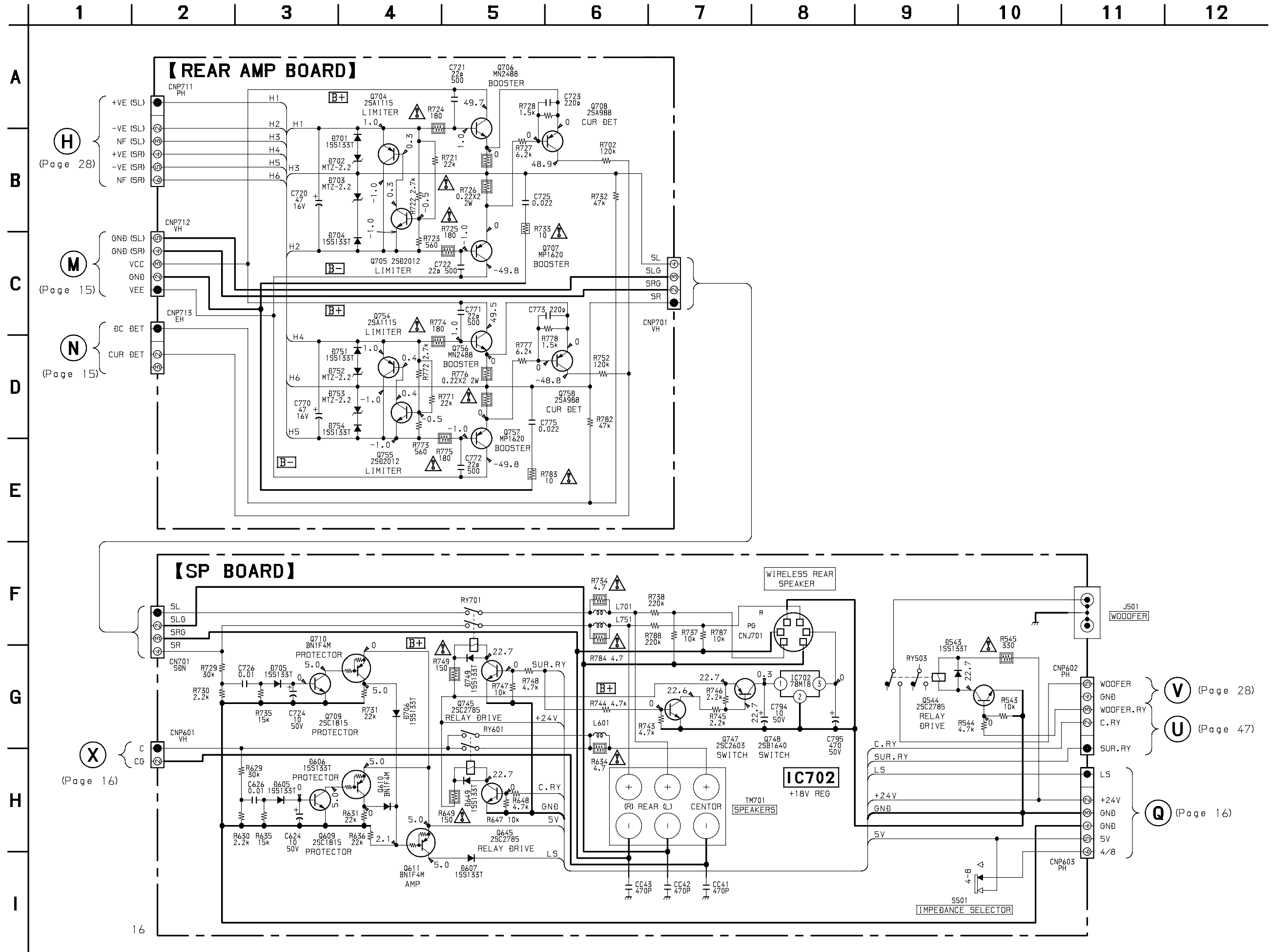
3-14. PRINTED WIRING BOARD — SPEAKER SECTION — • See page 7 for Circuit Boards Location.

• Semiconductor Location

Ref. No.	Location
D543	G-3
D543	G-10
D605	F-5
D605	F-11
D606	F-5
D606	F-12
D607	F-12
D607	G-5
D649	E-3
D649	F-9
D701	B-7
D702	B-7
D703	B-7
D704	B-7
D705	G-3
D705	G-9
D706	F-3
D706	F-9
D749	E-2
D749	E-8
D751	B-3
D752	B-3
D753	B-3
D754	B-3
IC702	E-6
IC702	F-13
Q544	F-6
Q544	F-10
Q609	E-5
Q609	E-12
Q610	F-6
Q610	F-12
Q611	F-5
Q611	F-12
Q645	E-5
Q645	E-11
Q704	B-7
Q705	B-7
Q706	B-7
Q707	B-6
Q708	B-8
Q709	F-2
Q709	F-8
Q710	F-2
Q710	F-9
Q745	F-4
Q745	F-10
Q747	E-6
Q747	E-12
Q748	E-6
Q748	F-12
Q754	B-3
Q755	A-3
Q756	A-4
Q757	A-2
Q758	B-2

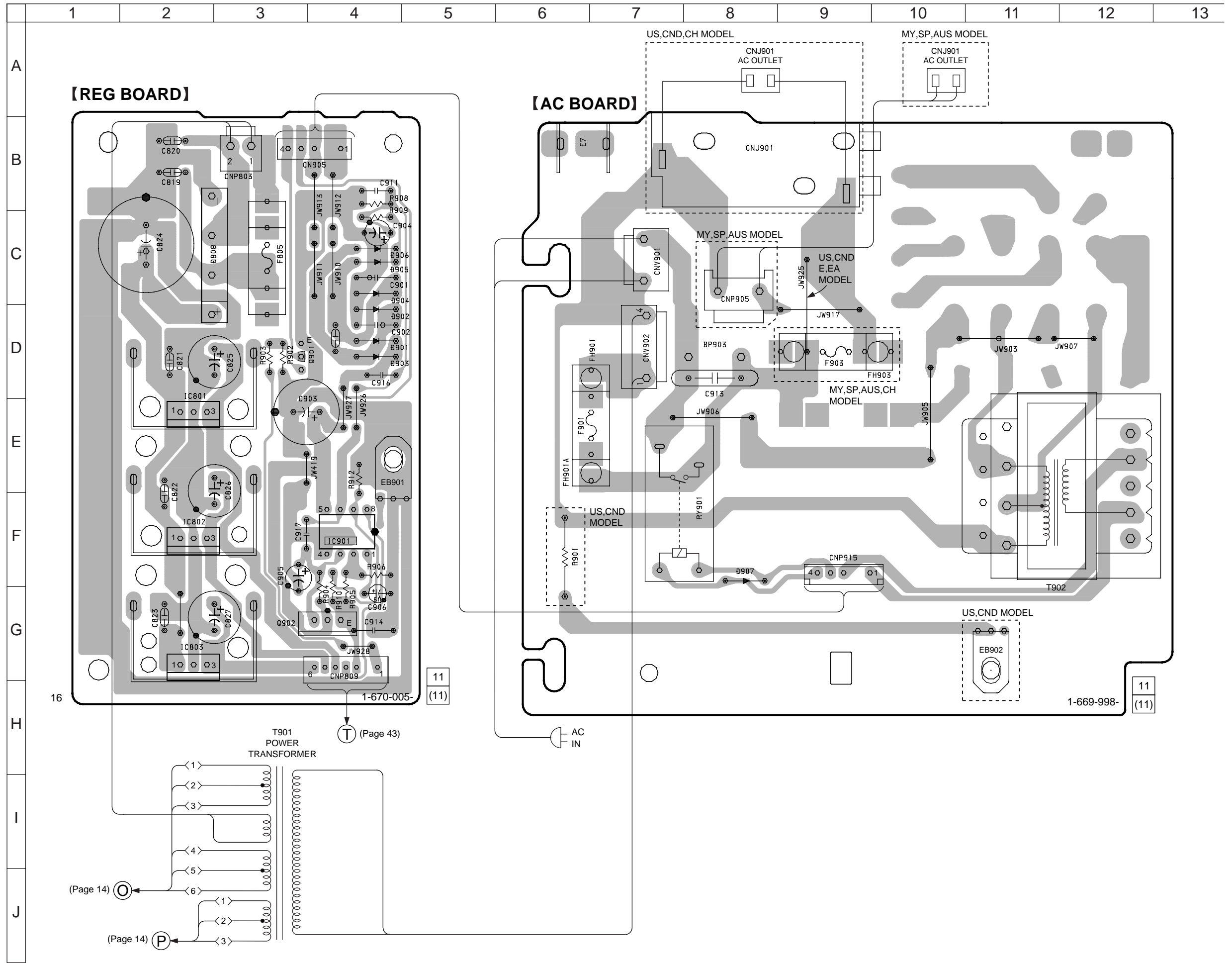


3-15. SCHEMATIC DIAGRAM — SPEAKER SECTION —

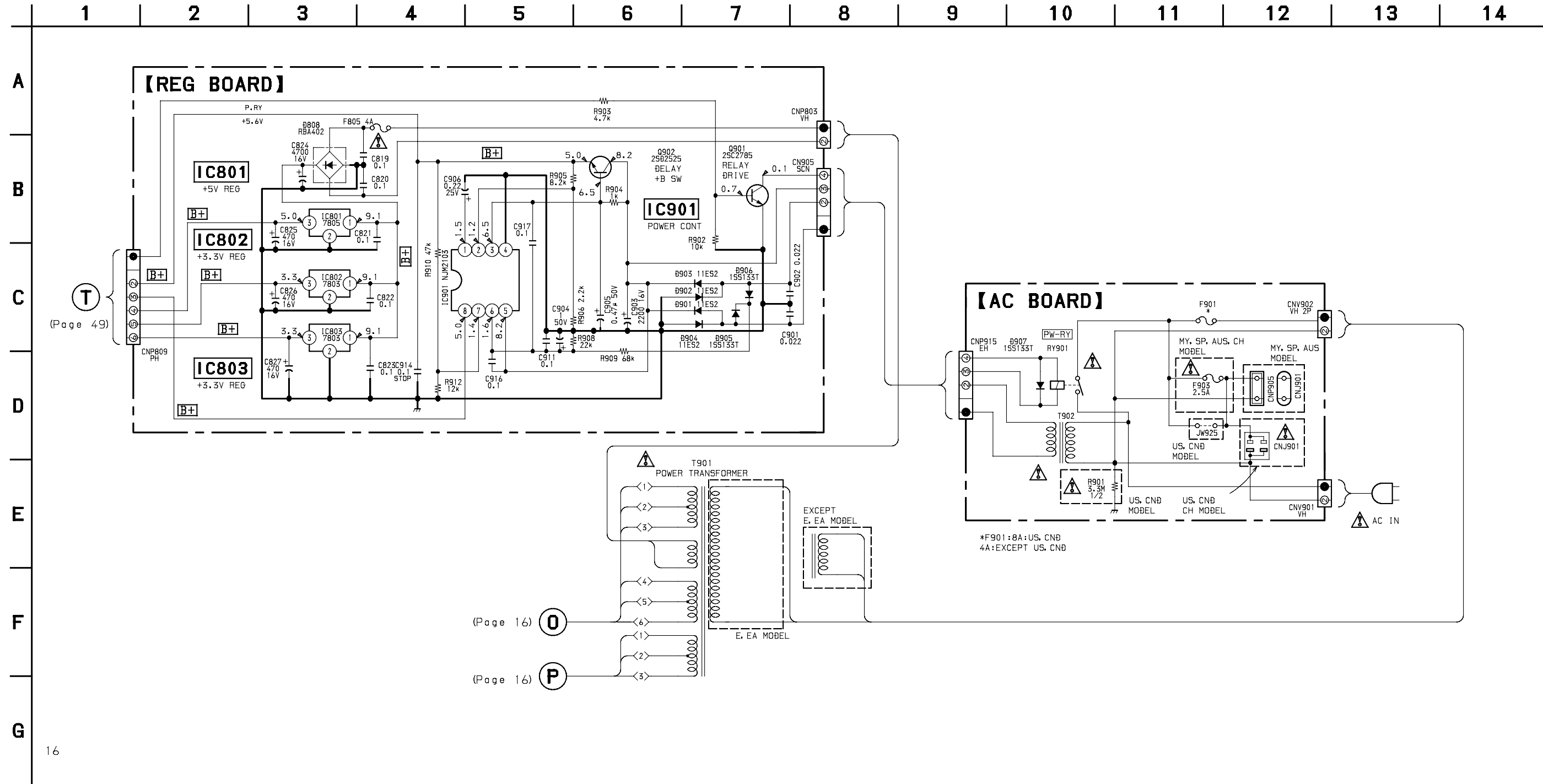


• Semiconductor Location

Ref. No.	Location
D808	C-3
D901	D-4
D902	D-4
D903	D-4
D904	C-4
D905	C-4
D906	C-4
D907	G-8
IC801	E-2
IC802	F-3
IC803	G-3
IC901	F-4
Q901	D-4
Q902	G-4

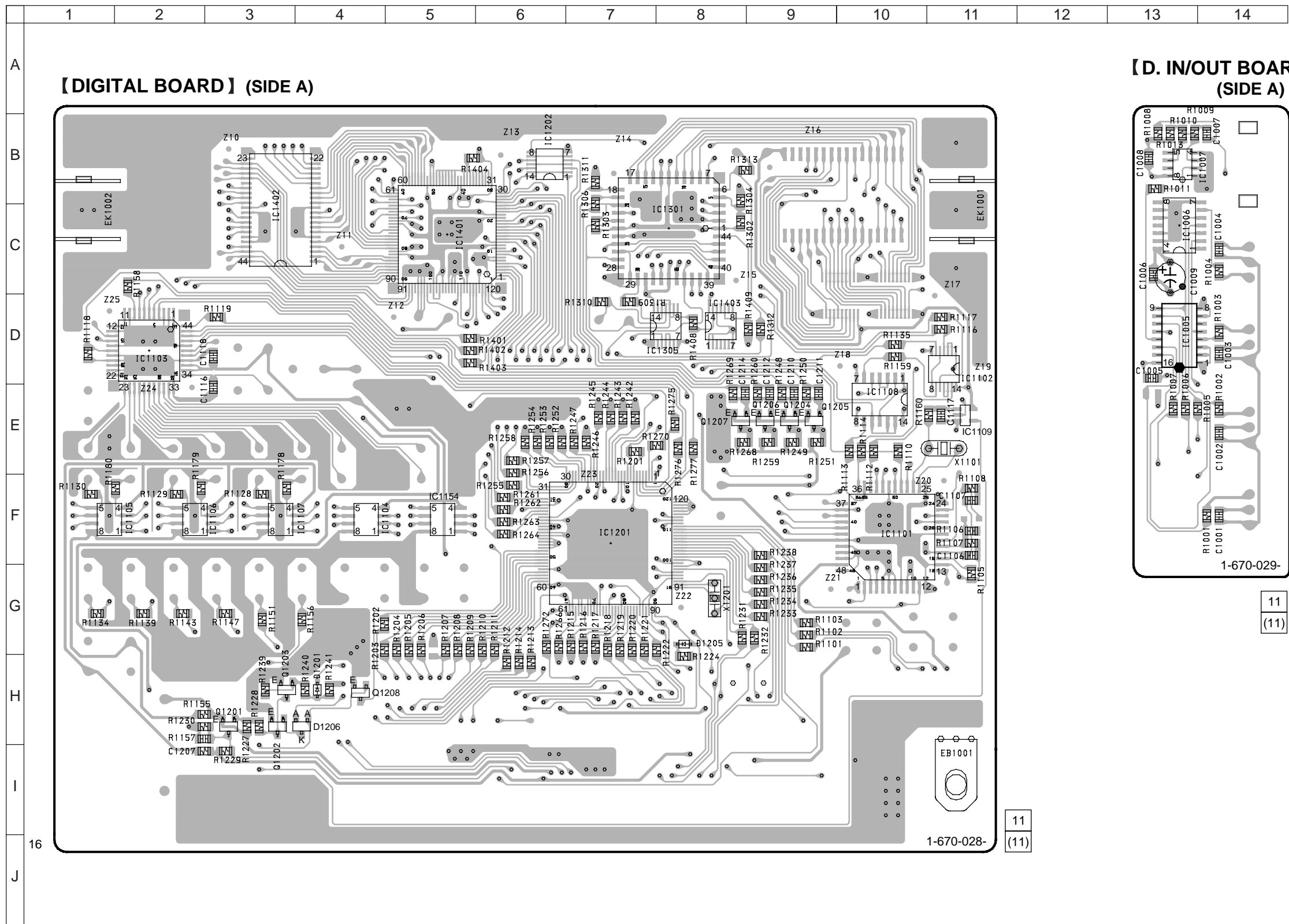


3-17. SCHEMATIC DIAGRAM — POWER SECTION — • See page 60 for IC Block Diagrams.



• Semiconductor Location

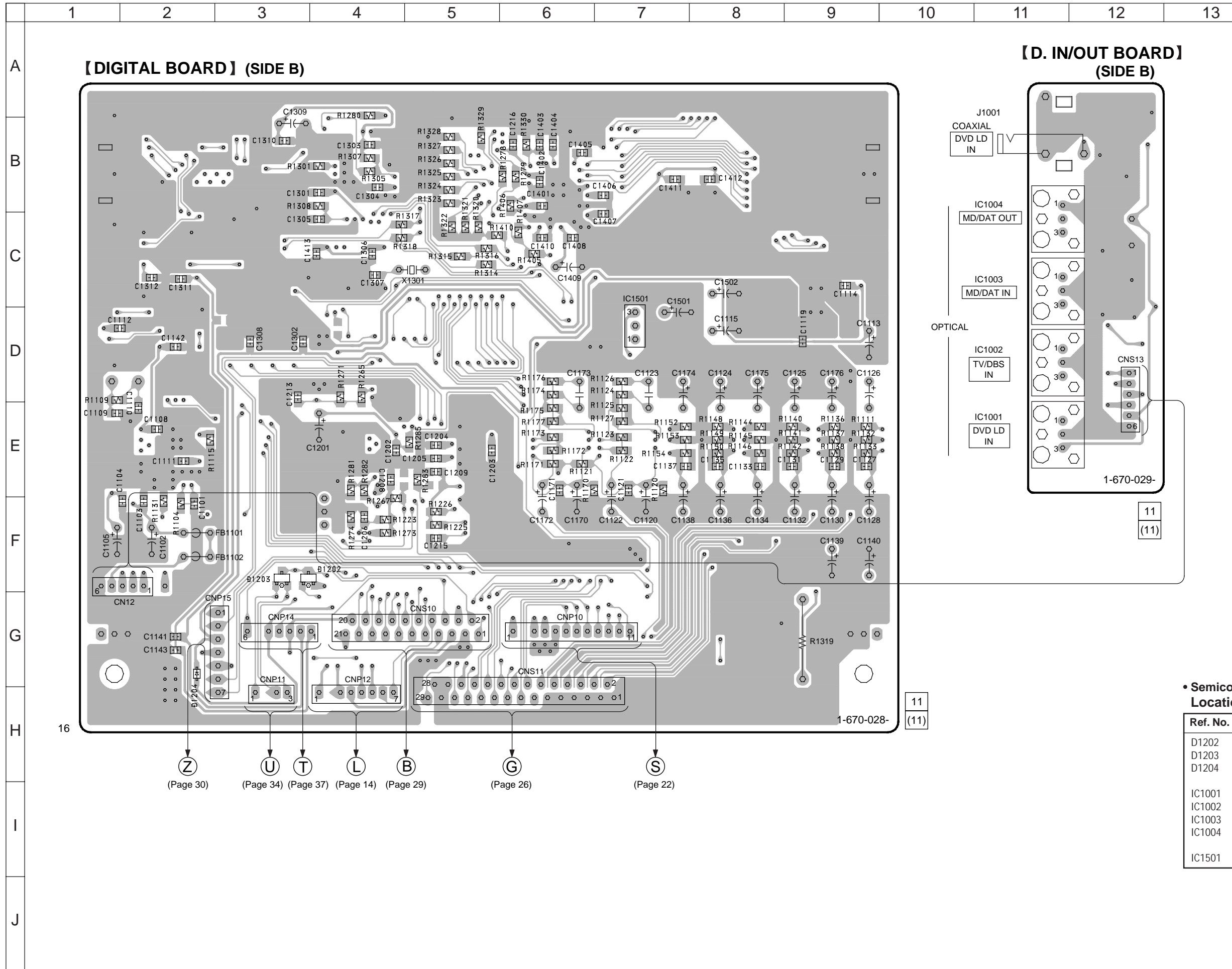
Ref. No.	Location
D1201	H-4
D1205	G-8
D1206	H-4
IC1005	D-13
IC1006	C-13
IC1007	B-13
IC1101	F-10
IC1102	E-11
IC1103	D-2
IC1104	F-4
IC1105	F-2
IC1106	F-3
IC1107	F-4
IC1108	E-10
IC1109	E-11
IC1154	F-5
IC1201	F-7
IC1202	B-6
IC1301	C-8
IC1302	C-10
IC1303	D-9
IC1304	D-10
IC1305	D-7
IC1401	C-5
IC1402	C-3
IC1403	D-8
Q1201	H-3
Q1202	H-3
Q1203	H-3
Q1204	E-9
Q1205	E-9
Q1206	E-9
Q1207	E-8
Q1208	H-4



16

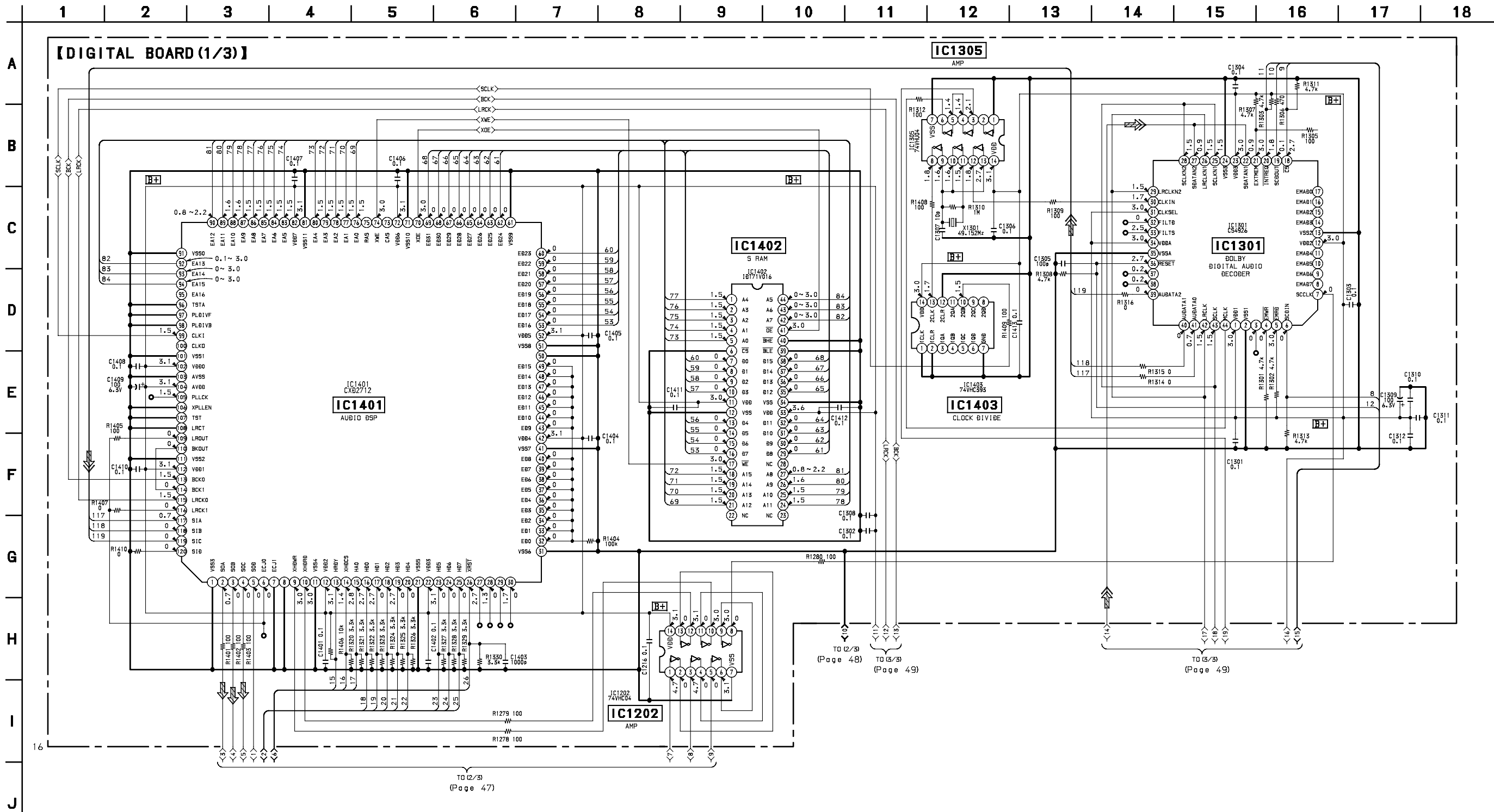
11
(11)

3-19. PRINTED WIRING BOARD — DIGITAL (SIDE B) SECTION — • See page 7 for Circuit Boards Location.

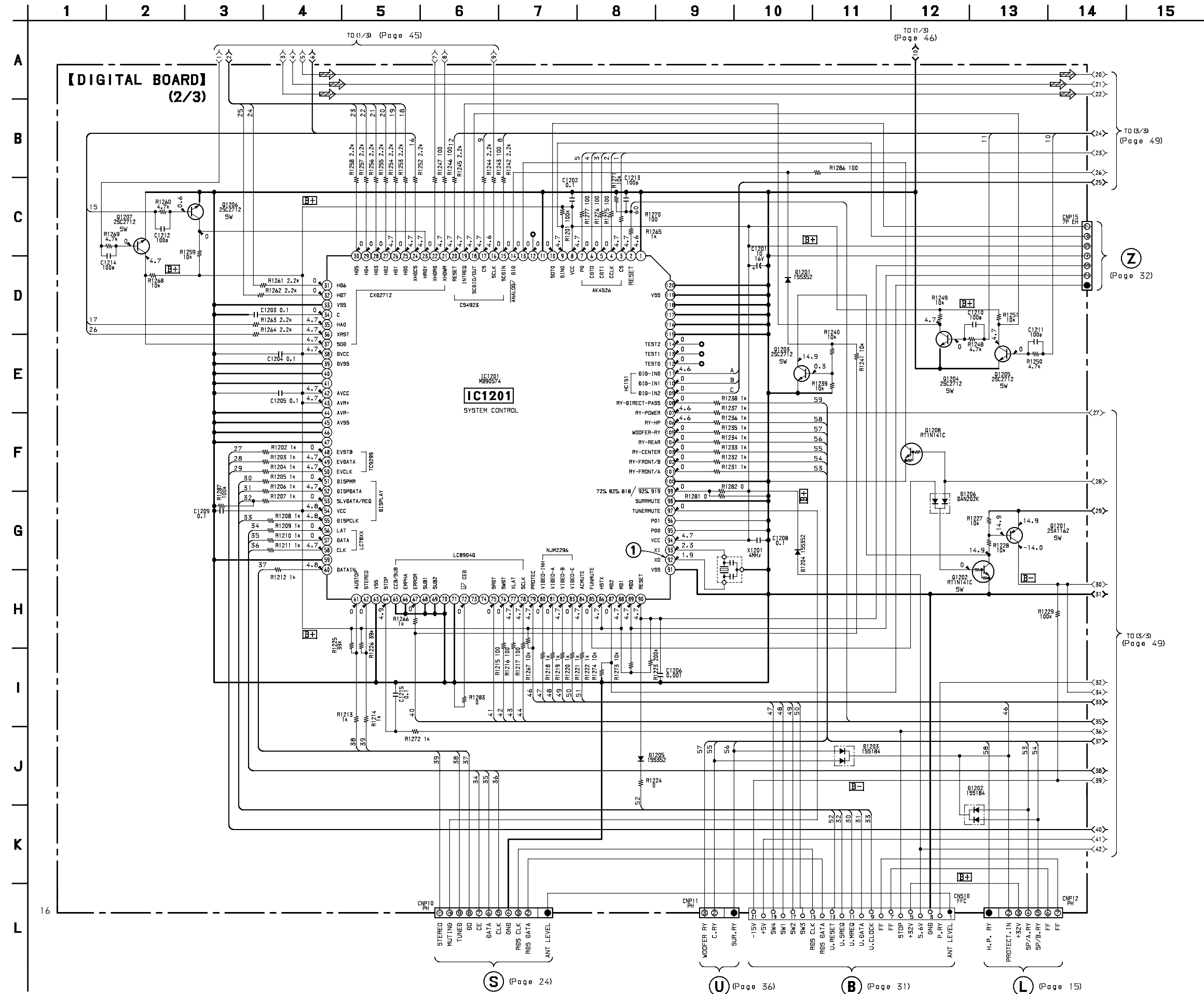


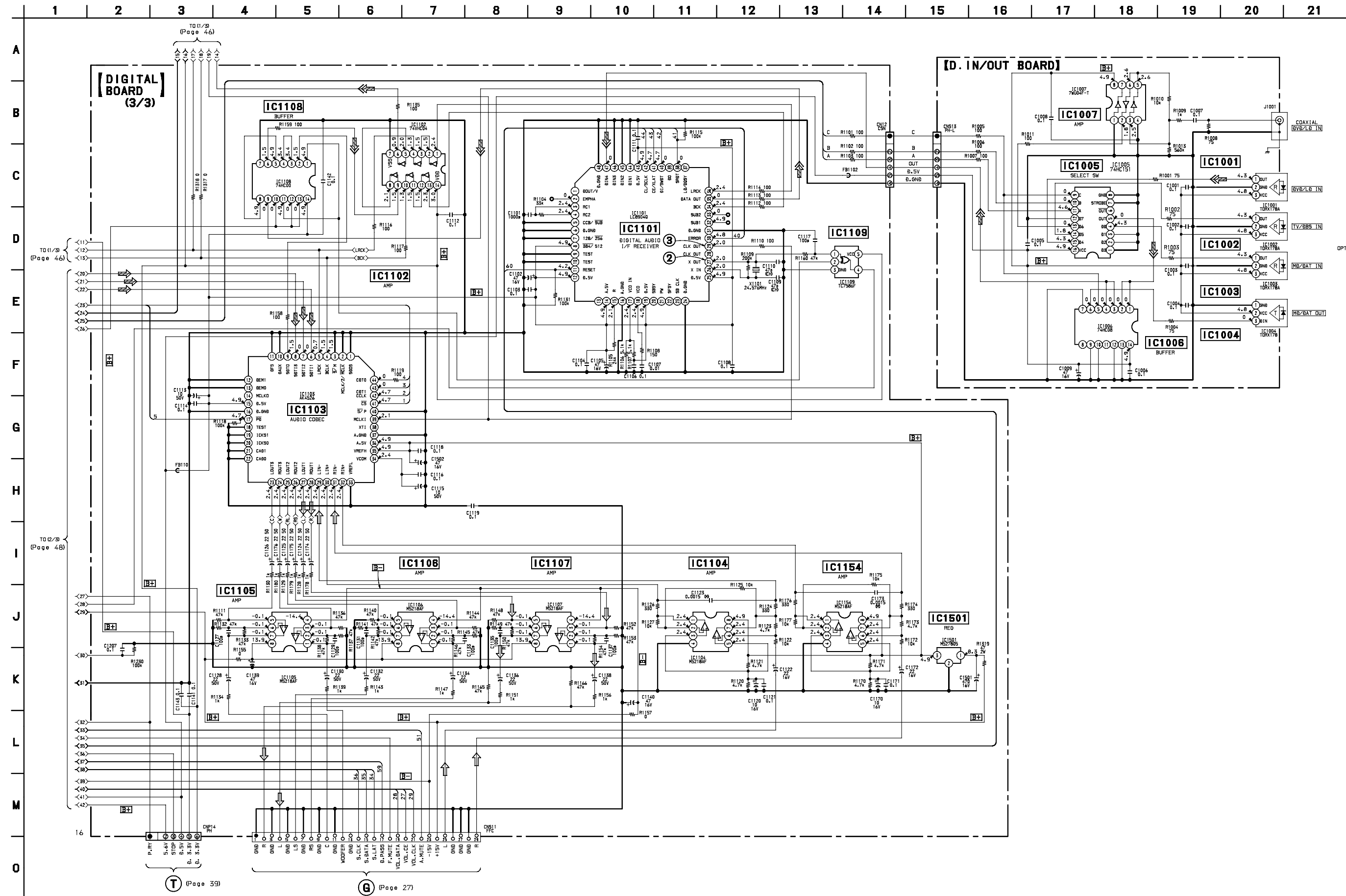
• Semiconductor Location

Ref. No.	Location
D1202	F-4
D1203	F-3
D1204	G-2
IC1001	E-11
IC1002	D-11
IC1003	C-11
IC1004	C-11
IC1501	D-7



3-21. SCHEMATIC DIAGRAM — DIGITAL SECTION (2/3) — • See page 51 for IC Pin Functions. • See page 8 for Waveforms.





3-23. IC PIN FUNCTION DESCRIPTION
IC1103 AK4526 (DIGITAL BOARD)

Pin No.	Pin Name	I/O	Description
1	SDOS	I	SDTO source select pin “L”: internal ADC output, “H”: DAUX input ORed with serial control register if P \bar{S} = “L” (Connected to GND)
2	$\overline{\text{MCLK}}$	I	MCKO clock frequency select pin “L”: MCLK, “H”: MCLK/2. ORed with serial control register if P \bar{S} = “L” (Connected to GND)
3	\bar{S}/M	I	Audio data master/slave mode select pin “L”: slave mode, “H”: master mode (Connected to GND)
4	BCLK	I/O	Audio serial data clock pin
5	LRCK	I/O	Input/output channel clock pin
6	SDT11	I	DAC1 audio serial data input pin
7	SDT12	I	DAC2 audio serial data input pin
8	SDT13	I	DAC3 audio serial data input pin
9	SDTO	O	Audio serial data output pin
10	DAUX	I	AUX audio serial data input pin (Connected to GND)
11	DFS	I	Double speed sampling mode pin “L”: normal speed, “H”: double speed ORed with serial control register if P \bar{S} = “L” (Connected to GND)
12 – 13	DEM1 – DEM0	I	De-emphasis pin ORed with serial control register if P \bar{S} = “L” (Connected to GND)
14	MCKO	O	Master clock output pin (Not used)
15	D. 5V	—	Digital power supply pin
16	D. GND	—	Digital ground pin
17	$\overline{\text{PD}}$	I	Power-down & reset pin When “L”, the AK4526 is powered-down and the control registers are reset to default state. If the state of P \bar{S} , M \bar{S} , CAD0-1 changes, then the AK4526 must be reset by $\overline{\text{PD}}$.
18	TEST	I	X’tal oscillator select/test mode pin “H”: X’tal oscillator selected “L”: External clock source selected “NC”: If pin is floating then test mode is enabled. (Connected to GND)
19	ICKS1	I	Input clock select 1 pin (Connected to GND)
20	ICKS0	I	Input clock select 0 pin (Connected to GND)
21	CAD1	I	Chip address pin Used during the serial control mode. (Connected to GND)
22	CAD0	I	Chip address pin Used during the serial control mode. (Connected to GND)
23	LOUT3	O	Lch #3 analog output pin
24	ROUT3	O	Rch #3 analog output pin
25	LOUT2	O	Lch #2 analog output pin
26	ROUT2	O	Rch #2 analog output pin
27	LOUT1	O	Lch #1 analog output pin
28	ROUT1	O	Rch #1 analog output pin
29	LIN-	I	Lch analog negative input pin
30	LIN+	I	Lch analog positive input pin

Pin No.	Pin Name	I/O	Description
31	RIN-	I	Rch analog negative input pin
32	RIN+	I	Rch analog positive input pin
33	VREFL	I	Negative voltage reference input pin, AVSS (Connected to GND)
34	VCOM	O	Common voltage output pin, AVDD/2 Large external capacitor is used to reduce power-supply noise
35	VREFH	I	Positive voltage reference input pin, AVDD
36	A. 5V	—	Analog power supply pin
37	A. GND	—	Analog ground pin
38	XTI	I	X'tal input pin (Not used)
39	MCLKI	I	External master clock input pin if XTS = "L"
40	S/P	I	Parallel/serial select pin "L": serial control mode, "H": parallel control mode (Connected to GND)
41	CS	I	Chip select pin in serial mode
42	CCLK	I	Control data clock pin in serial mode
43	CDTI	I	Control data input in serial mode
44	CDTO	O	Control data output pin in serial mode

If pins TEST, ICKS0, ICKS1, \overline{PD} , $\overline{S/P}$, DFS, DEM0, DEM1, CAD0, CAD1, $\overline{S/M}$, \overline{MCLK} , SDOS are not driven, then TEST, ICKS0, ICKS1, CAD0, CAD1, must be tied to either AVSS or AVDD. \overline{PD} , $\overline{S/P}$, DFS, DEM0, DEM1, $\overline{S/M}$, \overline{MCLK} , SDOS must be tied to either DVSS or DVDD.

IC1401 CXD2712R (DIGITAL BOARD)

Pin No.	Pin Name	I/O	Description
1	VSS3	—	GND
2 – 5	SOA – SOD	O	Serial data output
6, 7	ECJ0, ECJ1	I	Conditional jump input terminal (7pin Connected to GND)
8	—	NC	No connection
9	XHDWR	I	HCIF data write
10	XHDRD	I	HCIF data read
11	Vss4	—	GND
12	VDD2	—	+3.3V
13	HRDY	O	HCIF ready signal Open drain
14	XHDCS	I	HCIF chip select
15	HA0	I	HCIF address input
16 – 20	HD0 – HD4	I/O	HCIF data input/output
21	Vss5	—	GND
22	VDD3	—	+3.3V
23 – 25	HD5 – HD7	I/O	HCIF data input/output
26	XRST	I	Reset input “L”: active
27 – 30	FGP0 – FGP3	O	Test data output
31	Vss6	—	GND
32 – 40	ED0 – ED8	I/O	External RAM data input/output
41	Vss7	—	GND
42	VDD4	—	+3.3V
43 – 49	ED9 – ED15	I/O	External RAM data input/output
50	TSTD	I	Test data input “L” = normal “H” = test (Connected to GND)
51	Vss8	—	GND
52	VDD5	—	+3.3V
53 – 60	ED16 – ED23	I/O	External RAM data input/output
61	Vss9	—	GND
62 – 69	ED24 – ED31	I/O	External RAM data input/output
70	XOE	O	External RAM output enable
71	Vss10	—	GND
72	VDD6	—	+3.3V
73	CAS	O	External RAM column address strobe (Not used)
74	XWE	O	External RAM write enable (Not used)
75	RAS	O	External RAM row address strobe
76 – 80	EA0 – EA4	I/O	External RAM address output/test data input
81	Vss11	—	GND
82	VDD7	—	+3.3V
83 – 89	EA5 – EA11	I/O	External RAM address output/test data input
90	EA12	O	External RAM address output

Pin No.	Pin Name	I/O	Description
91	Vss0	—	GND
92 – 94	EA13 – EA15	O	External RAM address output
95	EA16	O	Not used
96	TSTA	I	Test data input “L” = normal “H” = test (Connecting to GND)
97	PLDIVF	I	PLL input frequency select “L” = 256Fs “H” = 128Fs (Connecting to GND)
98	PLDIVB	O	PLL output frequency select “L” = 768Fs “H” = 1024Fs (Connecting to GND)
99	CLKI	I	Master clock input
100	CLKO	O	Master clock output (Not used)
101	Vss1	—	GND
102	VDD0	—	+3.3V
103	AVss	—	GND for PLL cell
104	AVDD	—	VDD for PLL cell
105	PLLCK	I/O	PLL output/test clock input
106	XPLEN	I	PLL cell oscillation enable “L” oscillation enable “H” oscillation stop (Connecting to GND)
107	TST	I	Test data input “L” = normal “H” = test (Connecting to GND)
108	LRCT	I	Frequency counter input (Connecting to GND)
109	LROUT	O	LRCK0 divider output
110	BKOUT	O	BCK0 divider output
111	Vss2	—	GND
112	VDD1	—	+3.3V
113	BCK0	I	BCK input
114	BCK1	I	BCK input
115	LRCK0	I	LRCK input
116	LRCK1	I	LRCK input
117 – 120	SIA – SID	I	Serial data input

IC1101 CAD8495AQ (DIGITAL BOARD)

Pin No.	Pin Name	I/O	Description
1	DOUV	O	EIAJ data and parity flag output terminal (Not used)
2	EMPHA	O	Emphasis monitor output terminal (“H” = ON)
3	RC1	I	Input terminal for RC generator/oscillator
4	RC2	O	Output terminal for RC generator/oscillator
5	CCB/SUB	I	Microprocessor I/F select input terminal (CCB: H, @SUB@: L) (Connecting to GND)
6	D. GND	—	Digital GND
7	CLKMD	O	Clock output select terminal (“L” = 256fs, “H” = 128fs) (Connecting to GND)
8	CLK	I	Clock input select terminal (“H” = 512fs, “L” = 384fs)
9	TEST1	I	Test terminal (normally ground)
10	TEST2	I	Test terminal (normally ground)
11	RESET	I	Reset input terminal
12	D. VDD	—	Digital power supply
13	NC	—	No connect
14	A. VDD	—	Analog power supply
15	R	I	Input terminal for VCO generator band adjustment
16	A. GND	—	Analog GND
17	VCO IN	I	Input terminal for VCO self running frequency set
18	VCO	O	External LPF for PLL is connected to this terminal
19	D. VDD	—	Digital power supply
20	SBSY	O	CD subcode I/F and block sync output terminal (Not used)
21	PW	O	CD subcode I/F and data output terminal (Not used)
22	SFSY	O	CD subcode I/F and frame sync output terminal (Not used)
23	SBCK	I	CD subcode I/F and shift clock input terminal for data reading (Not used)
24	D. GND	—	Digital GND
25	D. VDD	—	Digital power supply
26	XIN	I	Crystal oscillator input terminal
27	XOUT	O	Crystal oscillator output terminal
28	CLK OUT1	O	VCO and crystal oscillator clock output terminal (Not used)
29	CLK OUT2	O	256fs or 128fs clock output terminal (Select CLKMD terminal)
30	ERROR	O	Error mute output terminal
31	D. GND	—	Digital GND
32	SUB1	O	Sampling frequency monitor output terminal
33	SUB2	O	Sampling frequency monitor output terminal
34	BCLK	O	Bit clock output terminal
35	DATA OUT	O	Audio data output terminal
36	LRCK	O	L, R clock output terminal (L-ch: “H”, R-ch: “L”)
37	LD/DQSY	O	Microprocessor I/F and subcode Q data sync output terminal (Not used)
38	SRDT	O	Microprocessor I/F. When CCB/SUB is “L”, data output terminal (3-state output)
39	DO	O	Microprocessor I/F. When CCB/SUB is “H”, data output terminal (high level open drain output) (Not used)
40	DI/SWDT	I	Microprocessor I/F. Data input terminal
41	CE/XLAT	I	Microprocessor I/F. Chip enable/latch input terminal
42	CL/SCLK	I	Microprocessor I/F. Clock input terminal
43	D. VDD	—	Digital power supply
44	DIN1	I	Amplifier integrate data input terminal (Connecting to GND)
45	DIN2	I	Amplifier integrate data input terminal (Connecting to GND)
46	DIN3	I	Amplifier integrate data input terminal (Connecting to GND)
47	DIN4	I	Amplifier integrate data input terminal
48	D. GND	—	Digital GND

IC1201 MB90574PFV-G-146-BND (DIGITAL BOARD)

Pin No.	Pin Name	I/O	Description
1	—	—	Not used (Connected to GND)
2	RESET	O	RF demodulator/DIR reset
3	CS	O	To AK4526 chip select
4	CCLK	O	To AK4526 clock
5	CDT1	I	To AK4526 data input
6	CDTO	O	To AK4526 data output
7	PD	O	To AK4526 reset
8	VCC	—	Power supply +5 V
9	SIN0	I	UART input. Used for rewriting flash memory
10	SOT0	O	UART output. Used for rewriting flash memory
11	—	—	Not used (Connected to GND)
12	—	—	Not used (Not connected, open)
13	—	—	Not used (Not connected, open)
14	ANA/DIG	O	Analog/digital selection (74HC157)
15	SCDIN	I	To CS4926 data input
16	SDLK	O	To CS4926 clock
17	CS	O	To CS4926 chip select
18	SCDIO/OUT	O	To CS4926 SPI data out
19	INTREQ	I	To CS4926 interrupt request
20	RESET	O	To CS4926 reset
21	XHDWR	O	To CXD2712 data write
22	XHDRD	O	To CXD2712 data read
23	HRDY	I	To CXD2712 ready
24	XHDCS	O	To CXD2712 chip select
25	HD 0	O	To CXD2712 data I/O
26	HD 1	O	To CXD2712 data I/O
27	HD 2	O	To CXD2712 data I/O
28	HD 3	O	To CXD2712 data I/O
29	HD 4	O	To CXD2712 data I/O
30	HD 5	O	To CXD2712 data I/O
31	HD 6	O	To CXD2712 data I/O
32	HD 7	O	To CXD2712 HD7
33	VSS	—	GND (Connected to GND)
34	C	—	External power regulator capacitor 0.1 μ is connected to this terminal.
35	HA0	O	To CXD2712 address
36	XRST	O	To CXD2712 reset
37	SOD	I	To CXD2712 LFE detection
38	DVCC	—	Digital power supply +5 V
39	DVSS	—	Digital GND (Connected to GND)
40	—	—	Not used (Connected to GND)
41	—	—	Not used (Connected to GND)
42	AVCC	—	Analog power supply +5 V
43	AVR+	—	Power supply +5 V
44	AVR-	—	GND (Connected to GND)
45	AVSS	—	GND (Connected to GND)
46	—	—	Not used (Connected to GND)
47	—	—	Not used (Connected to GND)
48	EVSTB	O	To TC9299 strobe
49	EVDATA	O	To TC9299 data
50	EVCLK	O	To TC9299 clock

Pin No.	Pin Name	I/O	Description
51	DISPMR	I	Display master request (Connected to MB90553 U.MREQ)
52	DISPDATA	I	Display data (Connected to MB90553 U.DATA)
53	SLV DTA/REQ	O	Slave data/request (Connected to MB90553 U.SREQ)
54	VCC	—	Power supply +5 V
55	DISP CLK	I	Display clock (Connected to MB90553 U.CLOCK)
56	LAT	O	To tuner TM301 latch
57	DATA	O	To tuner TM301 data
58	CLK	O	To tuner TM301 clock
59	—	—	Not used (Connected to GND)
60	DATA IN	I	PLL data input
61	AUSTOP	I	Auto stop input
62	STEREO	I	Stereo input
63	VSS	—	GND (Connected to GND)
64	STOP	I	AC power check
65	CCB/SUB	I	Not used (Connected to GND)
66	EMPHA	I	Not used (Connected to GND)
67	ERROR	O	Error output to CXD8495AQ
68	SUB 1	I	Not used (Connected to GND)
69	SUB 2	I	Not used (Connected to GND)
70	—	—	Not used (Connected to GND)
71	—	—	Not used (Connected to GND)
72	@U@/CED	I	U or CED (STR only)
73	—	—	Not used (Not connected, open)
74	—	—	Not used (Not connected, open)
75	SRDT	I	To CXD8495AQ C-bit
76	SWDT	O	To CXD8495AQ data
77	XLAT	O	To CXD8495AQ latch
78	SCLK	O	To CXD8495AQ clock
79	PROTEC	I	Protector input
80	VIDEO-INH	O	Video output inhibit
81	VIDEO-A	O	To NJM2296 video select A
82	VIDEO-B	O	To NJM2296 video select B
83	VIDEO-E	O	To NJM2296 video select E
84	ACMUTE	O	IC muting
85	FUNMUTE	O	Function muting
86	HSTX	—	Hardware standby (Connected to power supply +5 V)
87	MD 2	—	MD2 (To MB90553 MD2)
88	MD 1	—	MD1 (Connect to power supply)
89	MD 0	—	MD0 (To MB90553 MD0)
90	RESET	I	Reset (Connected to MB90553 U.RESET)
91	VSS	—	GND (Connected to GND)
92	X 0	—	External ceramic filter 4 MHz is connected to this terminal
93	X 1	—	External ceramic filter 4 MHz is connected to this terminal
94	VCC	—	Power supply +5 V
95	P 00	I	Flash memory rewrite (Connected to GND)
96	P 01	I	Flash memory rewrite (Connected to GND)
97	TUNER MUT	O	Tuner muting
98	SURR MUT	O	Surround muting (Connected to GND)
99	7E/8E	I	Not used (Connected to GND)
100	—	—	Not used (Connected to GND)

Pin No.	Pin Name	I/O	Description
101	RY-FRONT/A	O	Front speaker A relay
102	RY-FRONT/B	O	Front speaker B relay
103	RY-CENTER	O	Center speaker relay
104	RY-REAR	O	Rear speaker relay
105	WOOFER-RY	O	Sub Woofer relay
106	RY-HP	O	Head phone relay
107	RY-POWER	O	Power relay
108	RY-DIR-PASS	O	Direct pass relay
109	DIG-IN 2	I	Digital input select 2 (74HC151)
110	DIG-IN 1	I	Digital input select 1 (74HC151)
111	DIG-IN 0	I	Digital input select 0 (74HC151)
112	TEST 0	—	Test port 0 (Not connected, open)
113	TEST 1	—	Test port 1 (Not connected, open)
114	TEST 2	—	Test port 2 (Not connected, open)
115	—	—	Not used (Connected to GND)
116	—	—	Not used (Connected to GND)
117	—	—	Not used (Connected to GND)
118	—	—	Not used (Connected to GND)
119	VSS	—	GND (Connected to GND)
120	—	—	Not used (Connected to GND)

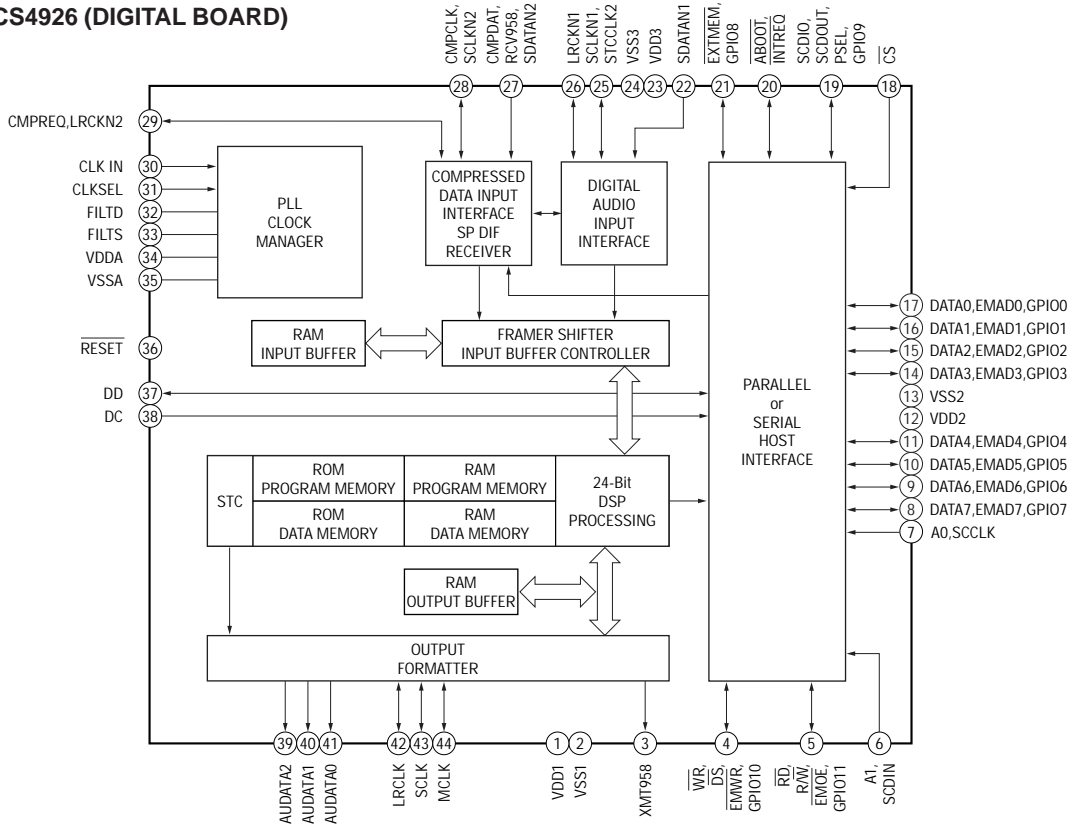
IC102 MB90553PF-G-121-BND (DISPLAY BOARD)

Pin No.	Pin Name	I/O	Description
1	LED V1	O	VIDEO 1 VISUAL display data output to LED
2	LED V2	O	VIDEO 2 AUDIO display data output to LED
3	LED V3	O	VIDEO 3 VISUAL display data output to LED
4	LED-DVD/LD	O	DVD/LD AUDIO display data output to LED
5	LED-TV/DBS	O	DVD/LD VISUAL display data output to LED
6	LED-TAPE	O	TV/DBS AUDIO display data output to LED
7	LED-MD/DAT	O	TV/DBS VISUAL display data output to LED
8	LED-CD	O	TAPE display data output to LED
9	LED-TUNER	O	MD/DAT display data output to LED
10	LED-PHONO	O	CD display data output to LED
11	VSS	—	GND (Connected to GND)
12	—	—	Not used. (Connected to GND)
13	—	—	Not used. (Connected to GND)
14	LED SUR	O	CURSOR MODE SURROUND display data output to LED
15	LED EQ	O	CURSOR MODE EQUIPMENT display data output to LED
16	LED INDEX	O	CURSOR MODE INDEX display data output to LED
17	—	—	Not used. (Connected to GND)
18	—	—	Not used. (Connected to GND)
19	SOT0	O	UART data output to rewrite flash memory
20	SIN0	I	UART data input to rewrite flash memory
21	FL CLK	O	Clock output to fluorescent display tube
22	FL DATA	O	Data output to fluorescent display tube
23	VCC	—	Power supply +5 V
24	FL LAT	O	Fluorescent latch
25	FL CLEAR	O	Fluorescent clear
26	SIRCS IN	I	SIRCS input
27	C	—	External power regulator capacitor 0.1 μ is connected to this terminal.
28	—	—	Not used (Connected to GND)
29	—	—	Not used (Connected to GND)
30	—	—	Not used (Connected to GND)
31	—	—	Not used (Connected to GND)
32	—	—	Not used (Connected to GND)
33	—	—	Not used (Connected to GND)
34	AVCC	—	Analog power supply +5 V
35	AVRH	—	AVRH (Connected to power supply +5 V)
36	AVRL	—	SVRL (Connected to GND)
37	AVSS	—	GND (Connected to GND)
38	AD KEY IN 1	I	Key input 1
39	AD KEY IN 2	I	Key input 2
40	AD KEY IN 3	I	Key input 3
41	AD KEY IN 4	I	Key input 4
42	VSS	—	GND (Connected to GND)
43	AD KEY IN 5	I	Key input 5
44	AD KEY IN 6	I	Key input 6
45	AD VERSION	I	Version input
46	AD MODEL	I	Model input
47	STOP	I	Stop input
48	—	—	Not used (Connected to GND)
49	MD 0	I	MD 0 (To MD0 of MB90574)
50	MD 1	I	MD 1 (Connected to power supply +5 V)

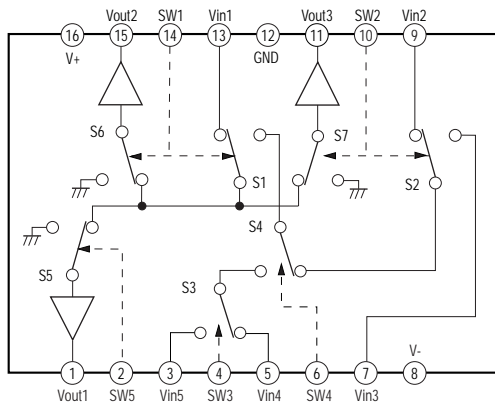
Pin No.	Pin Name	I/O	Description
51	MD 2	I	MD 2 (To MD2 of MB90574)
52	HSTX	I	Hardware STANDBY input
53	RDS CLOCK	I	RDS clock input
54	RDS DATA	I	RDS data input
55	VOL UP	O	Volume up data output
56	VOL DOWN	O	Volume down data output
57	—	—	Not used (Connected to GND)
58	U-RESET	O	Reset output (Connected to MB90574 RESET)
59	U-SREQ	I	Slave request and data input (Connected to MB90574 SLV DATA/REQ)
60	U-MREQ	O	Master request output (Connected to MB90574 DISPMR)
61	U-DATA	O	Master data output (Connected to MB90574 DISP DATA)
62	U-CLOCK	O	Master clock output (Connected to MB90574 DISPCLK)
63	AUBUS-IN	I	Audio bus input
64	—	—	Not used (Connected to GND)
65	—	—	Not used (Connected to GND)
66	—	—	Not used (Connected to GND)
67	AUBUS-OUT	O	Audio bus output
68	—	—	Not used (Connected to GND)
69	FUNCTION-UP	I	Function encoder up input
70	FUNCTION-DW	I	Function encoder down input
71	—	—	Not used (Connected to GND)
72	SP-A	I	Speaker A selector switch input
73	SP-B	I	Speaker B selector switch input
74	POW-KEY IN	I	Power key input
75	—	—	Not used (Connected to GND)
76	—	—	Not used (Connected to GND)
77	RESET	I	Reset (Display MCU)
78	—	—	Not used (Connected to GND)
79	—	—	Not used (Connected to GND)
80	—	—	Not used (Connected to GND)
81	VSS	—	GND (Connected to GND)
82	X0	—	External ceramic filter 4 MHz is connected to this terminal
83	X1	—	External ceramic filter 4 MHz is connected to this terminal
84	VCC	—	Power supply +5 V
85	—	—	Not used. (Connected to GND)
86	—	—	Not used. (Connected to GND)
87	LED BASS. B	O	BASS. B display data output to LED
88	LED VOL	O	VOLUME display data output to LED
89	LED SOUND FIELD	O	SOUND FIELD display data output to LED
90	LED MUTE	O	MUTE display data output to LED
91	LED EQ ON/OFF	O	EQ ON/OFF display data output to LED
92	LED DOLBY DIGITAL	O	DOLBY/DIGITAL display data output to LED
93	MBUS-V1	I	V1 input from MBUS
94	MBUS-V 2	I	V2 input from MBUS
95	MBUS-TV	I	TV input from MBUS
96	MBUS-STATUS	I	STATUS input from MBUS
97	—	—	Not used. (Connected to GND)
98	LAT	O	Learning microprocessor latch output
99	—	—	Not used. (Connected to GND)
100	—	—	Not used. (Connected to GND)

3-24. IC BLOCK DIAGRAMS

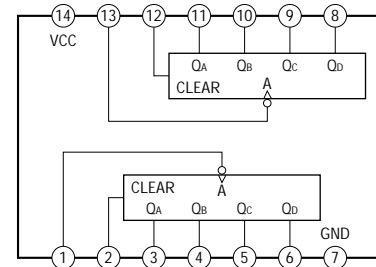
IC1301 CS4926 (DIGITAL BOARD)



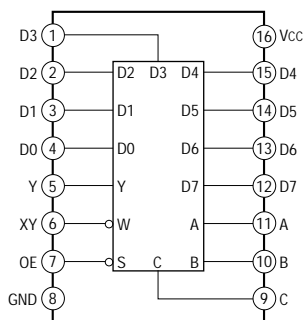
IC201 NJM2296D (VIDEO BOARD)



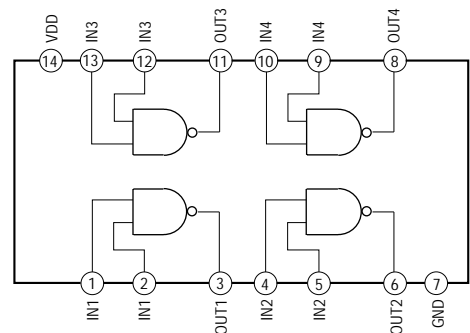
IC1403 TC74VHC393FT(EL) (DIGITAL BOARD)



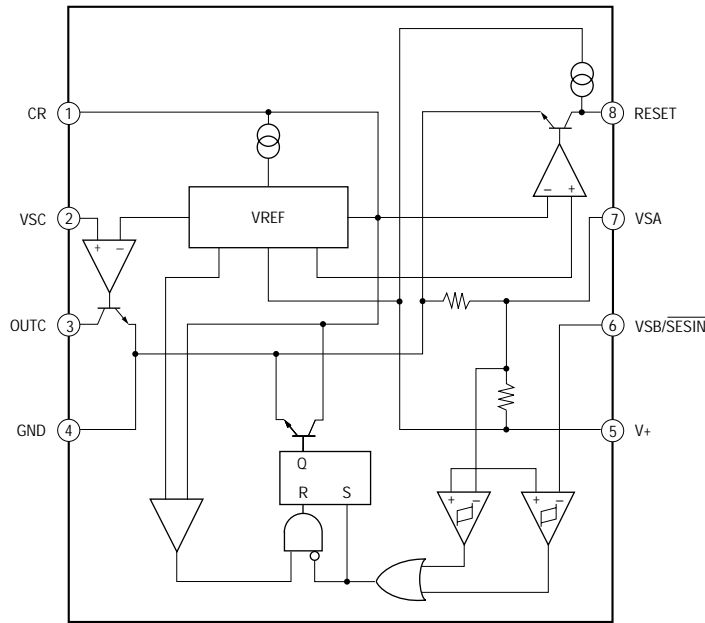
IC1005 TC74HC151AF (EL) (D. IN/OUT BOARD)



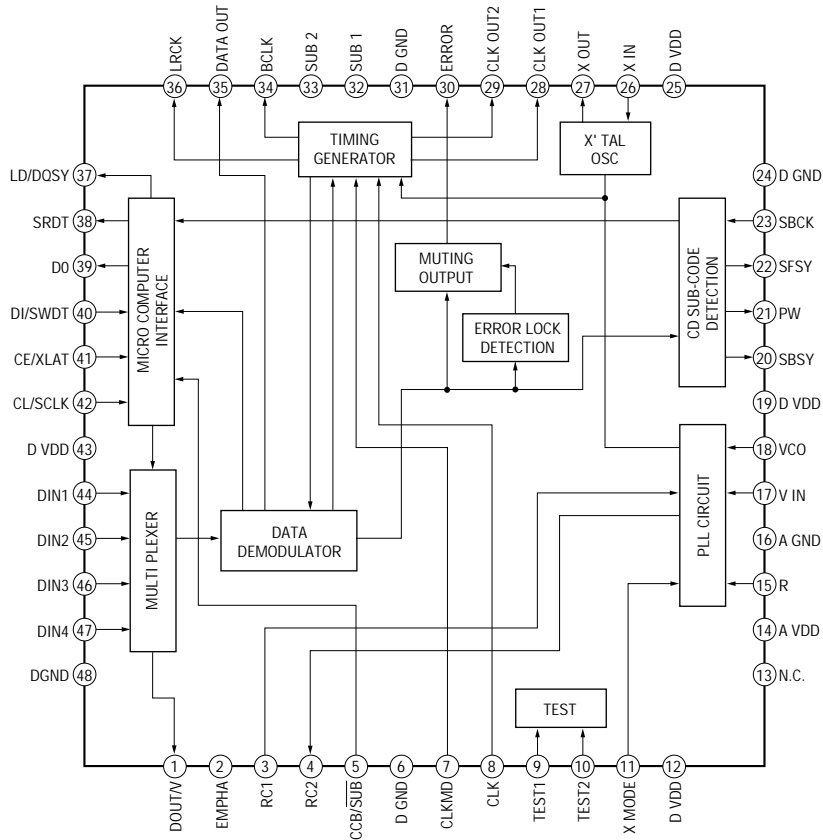
IC1108 MC74HC00AF (DIGITAL BOARD)



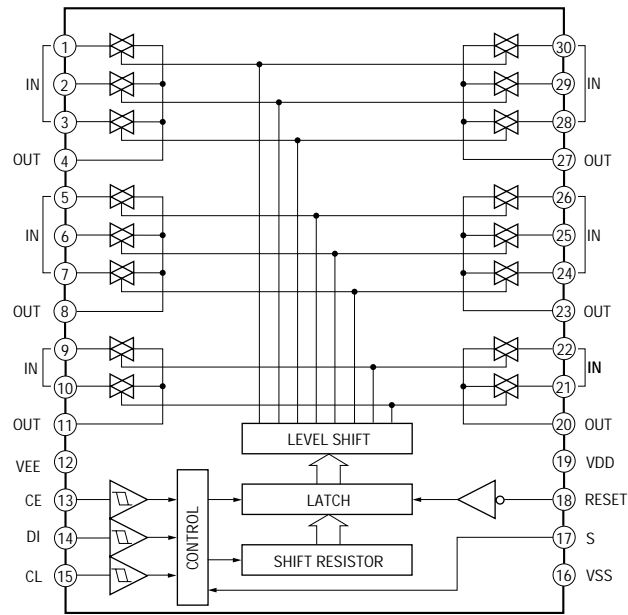
IC901 NJM2103D (REG BOARD)



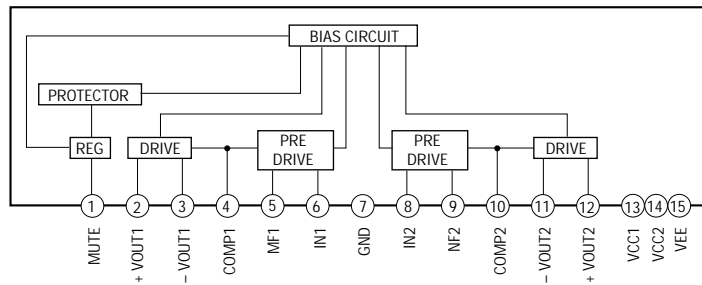
IC1101 CXD8495AQ (DIGITAL BOARD)



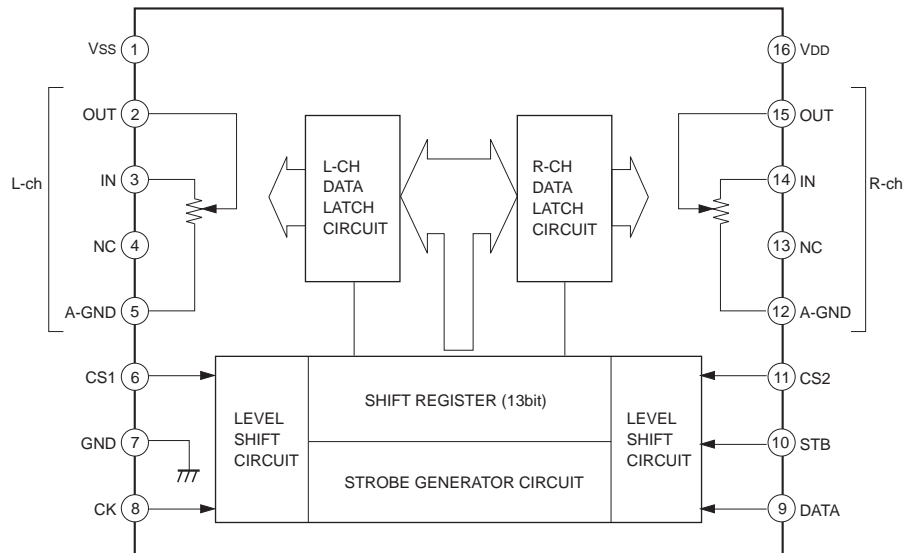
IC301 LC7822 (INPUT BOARD)



IC501, IC601, IC701 uPC2581V (INPUT BOARD)



IC414, IC415, IC416 TC9299P (INPUT BOARD)



SECTION 4 EXPLODED VIEWS

NOTE:

- -XX, -X mean standardized parts, so they may have some differences from the original one.
- Items marked “*” are not stocked since they are seldom required for routine service. Some delay should be anticipated when ordering these items.
- The mechanical parts with no reference number in the exploded views are not supplied.

- Hardware (# mark) list and accessories and packing materials are given in the last of this parts list.
- Abbreviation
 CND : Canadian
 CH : Chinese
 AUS : Australian
 MY : Malaysia
 SP : Singapore
- Color Indication of Appearance Parts Example:
 KNOB, BALANCE (WHITE) . . . (RED)

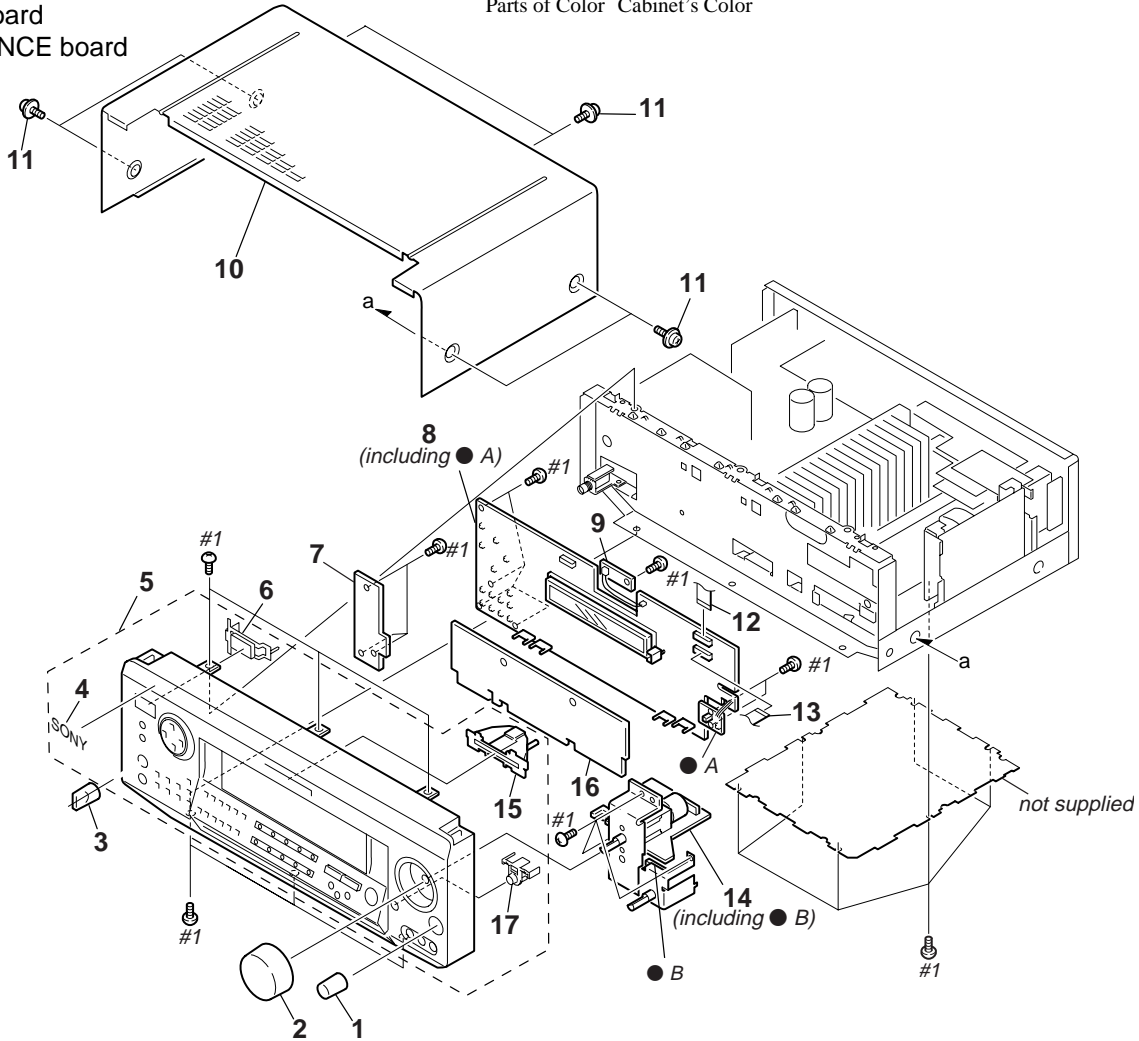
When indicating parts by reference number, please include the board name.

The components identified by mark Δ or dotted line with mark Δ are critical for safety. Replace only with part number specified.

Les composants identifiés par une marque Δ sont critiques pour la sécurité. Ne les remplacer que par une pièce portant le numéro spécifié.

4-1. FRONT PANEL SECTION

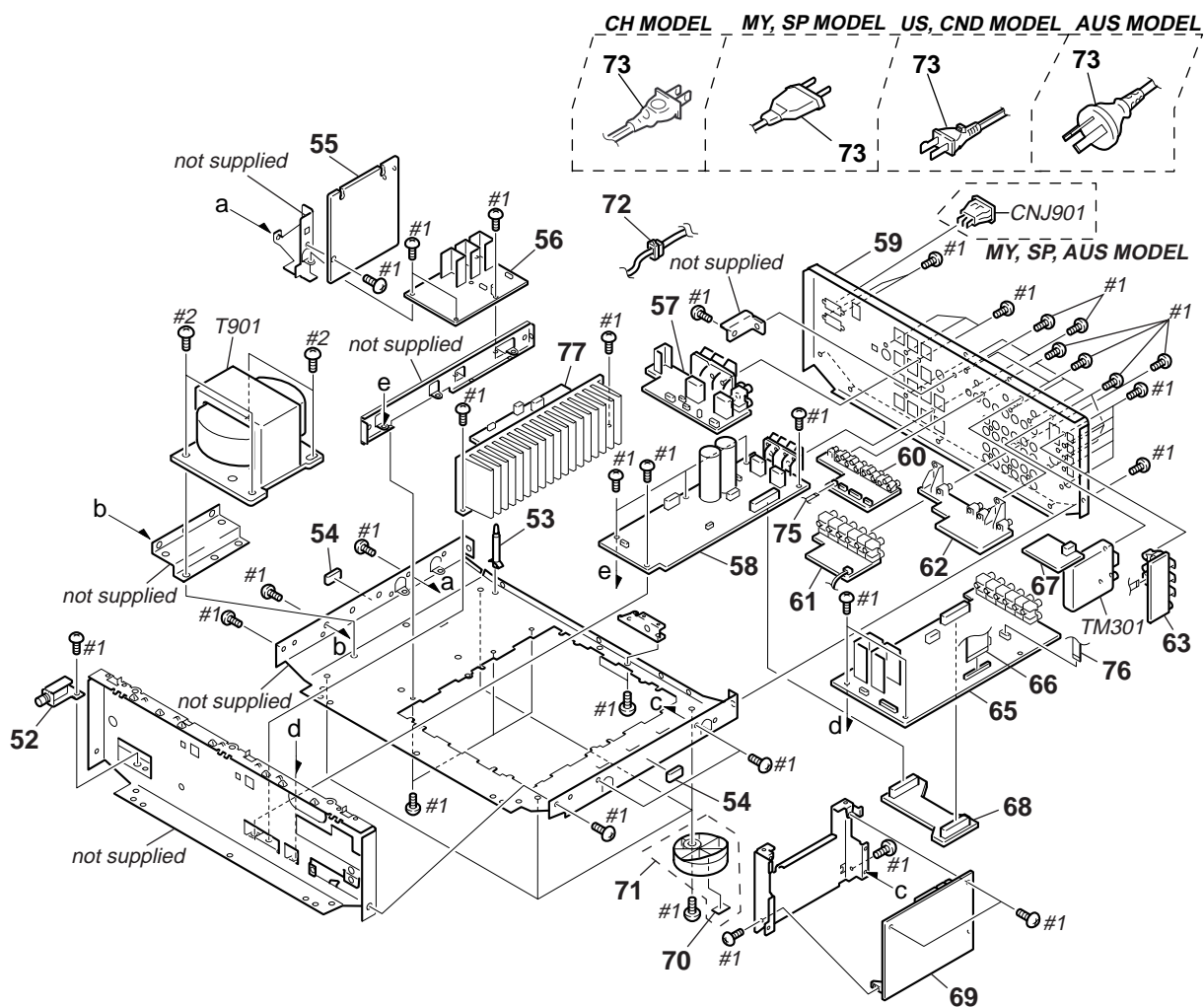
- A : L.B board
- B : BALANCE board



Ref. No.	Part No.	Description	Remarks
1	4-957-383-01	KNOB (F14)(BLACK)	
1	4-957-383-21	KNOB (F14)(GOLD)	
2	X-4949-751-1	KNOB ASSY (U8) (BLACK)	
2	X-4949-752-1	KNOB ASSY (C8) (GOLD)	
3	4-998-717-01	KNOB (BAL) (BLACK)	
3	4-998-717-11	KNOB (BAL) (GOLD)	
4	4-996-698-01	EMBLEM, SONY (SILVER)	
4	4-996-698-11	EMBLEM, SONY (GOLD)	
5	X-4949-910-1	PANEL ASSY, FRONT (BLACK) (MY,SP)	
5	X-4949-748-1	PANEL ASSY (U8), FRONT (BLACK)	(US,CND,AUS)
5	X-4949-749-1	PANEL ASSY (C8),FRONT(GOLD) (CH)	
6	4-989-843-31	BUTTON (P-T) (BLACK)	
6	4-989-843-41	BUTTON (P-T) (GOLD)	
* 7	1-670-010-11	SP SW BOARD	
* 8	A-4414-122-A	DISPLAY BOARD, COMPLETE (US,CND)	
* 8	A-4414-132-A	DISPLAY BOARD, COMPLETE (AUS)	

Ref. No.	Part No.	Description	Remarks
* 8	A-4414-136-A	DISPLAY BOARD, COMPLETE (MY,SP)	
* 8	A-4414-140-A	DISPLAY BOARD, COMPLETE (CH)	
* 9	1-670-007-11	LED BOARD	
* 10	4-982-682-01	CASE (414532)(BLACK) (US,CND,AUS)	
10	X-4947-722-1	CASE ASSY (BLACK) (MY,SP)	
10	X-4947-723-1	CASE ASSY (GOLD) (CH)	
11	3-710-901-01	SCREW, TAPPING (GOLD)	
11	3-710-901-11	SCREW, TAPPING (BLACK)	
12	1-773-161-11	WIRE (FLAT TYPE)(21 CORE)	
13	1-769-959-11	WIRE (FLAT TYPE)(11 CORE)(MY,SP,AUS,CH)	
13	1-773-025-11	WIRE (FLAT TYPE)(15 CORE)(US,CND)	
* 14	A-4414-066-A	VOLUME BOARD, COMPLETE	
15	X-3375-588-1	ESCUTCHEON (WIN) ASSY	
* 16	A-4414-123-A	SW BOARD, COMPLETE	
17	4-989-850-01	BUTTON (BB) (BLACK)	
17	4-989-850-11	BUTTON (BB) (GOLD)	

4-2. CHASSIS SECTION



Ref. No.	Part No.	Description	Remarks	Ref. No.	Part No.	Description	Remarks
* 52	1-670-006-11	H.P BOARD		* 67	1-670-000-11	TUNER BOARD	
* 53	4-924-098-31	HOLDER, PC BOARD		* 68	1-670-027-11	JOINT BOARD	
54	4-985-642-01	CUSHION		* 69	A-4414-126-A	DIGITAL BOARD, COMPLETE	
* 55	1-669-998-11	AC BOARD		70	4-977-358-11	CUSHION	
* 56	A-4414-109-A	REG BOARD, COMPLETE		71	X-4947-208-1	FOOT ASSY (F50150S)(BLACK)	
* 57	A-4414-090-A	SP BOARD, COMPLETE (MY,SP,CH)		71	X-4947-547-1	FOOT ASSY (F50150S)(GOLD)	
* 57	A-4414-124-A	SP BOARD, COMPLETE (US,CND,AUS)		* 72	3-703-244-00	BUSHING (2104), CORD	
* 58	A-4414-120-A	AMPLIFIER BOARD, COMPLETE (US,CND,AUS)		△ 73	1-696-847-11	CORD, POWER (AUS)	
* 58	A-4414-134-A	AMPLIFIER BOARD, COMPLETE (MY,SP)		△ 73	1-769-743-11	CORD, POWER (US,CND)	
* 58	A-4414-138-A	AMPLIFIER BOARD, COMPLETE (CH)		△ 73	1-769-744-11	CORD, POWER (MY,SP)	
* 59	4-999-237-11	PANEL, BACK (US)		△ 73	1-782-464-21	CORD, POWER (CH)	
* 59	4-999-237-21	PANEL, BACK (CND)		75	1-769-904-11	WIRE (FLAT TYPE) (9 CORE)(MY,SP,CH)	
* 59	4-999-237-31	PANEL, BACK (AUS)		76	1-769-876-11	WIRE (FLAT TYPE) (7 CORE)	
* 59	4-999-237-41	PANEL, BACK (MY,SP)		* 77	A-4414-112-A	REAR AMP BOARD, COMPLETE	
* 59	4-999-237-51	PANEL, BACK (CH)		△ CNJ901	1-251-416-11	OUTLET, A.C. (AUS)	
* 60	1-670-003-11	VIDEO BOARD		△ CNJ901	1-526-794-11	OUTLET, AC (MY,SP)	
* 62	1-670-013-11	S-LINK BOARD (US,CND)		△ T901	1-431-887-11	TRANSFORMER, POWER (US)	
* 62	1-670-004-11	S-VIDEO BOARD (MY,SP,CH)		△ T901	1-431-888-11	TRANSFORMER, POWER (CND)	
* 63	1-670-029-11	D.IN/OUT BOARD		△ T901	1-431-890-11	TRANSFORMER, POWER (AUS)	
* 65	A-4414-121-A	INPUT BOARD, COMPLETE (US,CND,AUS)		△ T901	1-431-894-11	TRANSFORMER, POWER (MY,SP,CH)	
* 65	A-4414-135-A	INPUT BOARD, COMPLETE (MY,SP)		△ TM301	1-693-407-11	TUNER (US,CND)	
* 65	A-4414-139-A	INPUT BOARD, COMPLETE (CH)		△ TM301	1-693-409-11	TUNER (MY,SP,AUS,CH)	
66	1-773-285-11	WIRE (FLAT TYPE) (29 CORE)					

The components identified by mark \triangle or dotted line with mark \triangle are critical for safety. Replace only with part number specified.

Les composants identifiés par une marque \triangle sont critiques pour la sécurité. Ne les remplacer que par une pièce portant le numéro spécifié.

SECTION 5

ELECTRICAL PARTS LIST

AC

AMPLIFIER

NOTE:

When indicating parts by reference number, please include the board name.

The components identified by mark Δ or dotted line with mark Δ are critical for safety. Replace only with part number specified.

Les composants identifiés par une marque Δ sont critiques pour la sécurité. Ne les remplacer que par une pièce portant le numéro spécifié.

- Due to standardization, replacements in the parts list may be different from the parts specified in the diagrams or the components used on the set.

- -XX, -X mean standardized parts, so they may have some difference from the original one.
- Items marked “*” are not stocked since they are seldom required for routine service. Some delay should be anticipated when ordering these items.
- CAPACITORS:
uF: μ F
- RESISTORS
All resistors are in ohms.
METAL: metal-film resistor
METAL OXIDE: Metal Oxide-film resistor
F: nonflammable

- COILS
uH: μ H
- SEMICONDUCTORS
In each case, u: μ , for example:
uA...: μ A..., uPA..., μ PA...,
uPB..., μ PB..., uPC..., μ PC...,
uPD..., μ PD...
- Abbreviation
CND : Canadian MY : Malaysia
AUS : Australian SP : Singapore
CH : Chinese

Ref. No.	Part No.	Description	Remarks
*	1-669-998-11	AC BOARD *****	
	1-533-217-31	HOLDER, FUSE < JACK >	
Δ CNJ901	1-540-041-11	OUTLET, AC (NONPOLAR) (2P) (CH)	
Δ CNJ901	1-540-060-11	OUTLET, AC (POLAR) (US,CND) < CONNECTOR >	
* CNP905	1-580-230-21	PIN, CONNECTOR (PC BOARD) 2P (MY,SP,AUS)	
CNP915	1-691-766-11	PLUG (MICRO CONNECTOR) 4P < CONNECTOR >	
CNV901	1-564-321-00	PIN, CONNECTOR 2P	
* CNV902	1-565-792-11	PIN, CONNECTOR 2P < DIODE >	
D907	8-719-911-19	DIODE 1SS119 < EARTH >	
* EB902	1-537-738-21	TERMINAL, EARTH (US,CND) < FUSE >	
Δ F901	1-532-504-51	FUSE TIME LGA 4A (MY,SP,AUS,CH)	
Δ F901	1-533-311-11	FUSE, GLASS CYLINDRICAL (DIA.5)8A (US,CND)	
Δ F903	1-532-464-51	FUSE TIME LAG 2.5A (MY,SP,AUS,CH) < RESISTOR >	
Δ R901	1-202-725-00	SOLID 3.3M 10% 1/2W (US,CND) < RELAY >	
Δ RY901	1-515-999-11	RELAY, POWER < TRANSFORMER >	
Δ T902	1-431-387-11	TRANSFORMER, POWER (MY,SP,AUS,CH)	
Δ T902	1-450-361-11	TRANSFORMER, POWER (US,CND)	

*	A-4414-120-A	AMPLIFIER BOARD, COMPLETE (US,CND,AUS) *****	
*	A-4414-134-A	AMPLIFIER BOARD, COMPLETE (MY,SP) *****	
*	A-4414-138-A	AMPLIFIER BOARD, COMPLETE (CH) *****	
	1-533-293-11	FUSE HOLDER	

Ref. No.	Part No.	Description	Remarks
		< CAPACITOR >	
C520	1-126-022-11	ELECT 47uF 20% 16V	
C521	1-107-597-11	CERAMIC 22PF 10% 500V	
C522	1-107-597-11	CERAMIC 22PF 10% 500V	
C523	1-162-286-31	CERAMIC 220PF 10% 50V	
C524	1-126-059-11	ELECT 10uF 20% 50V	
C525	1-136-161-00	FILM 0.047uF 5% 50V (CH,SP,MY)	
C526	1-136-153-00	FILM 0.01uF 5% 50V	
C527	1-136-161-00	FILM 0.047uF 5% 50V (CH,SP,MY)	
C570	1-126-022-11	ELECT 47uF 20% 16V	
C571	1-107-597-11	CERAMIC 22PF 10% 500V	
C572	1-107-597-11	CERAMIC 22PF 10% 500V	
C573	1-162-286-31	CERAMIC 220PF 10% 50V	
C574	1-126-059-11	ELECT 10uF 20% 50V	
C575	1-136-161-00	FILM 0.047uF 5% 50V (CH,SP,MY)	
C576	1-136-153-00	FILM 0.01uF 5% 50V	
C577	1-136-161-00	FILM 0.047uF 5% 50V (CH,SP,MY)	
C590	1-124-472-11	ELECT 470uF 20% 10V	
C598	1-126-233-11	ELECT 22uF 20% 50V	
C620	1-126-022-11	ELECT 47uF 20% 16V	
C621	1-107-597-11	CERAMIC 22PF 10% 500V	
C622	1-107-597-11	CERAMIC 22PF 10% 500V	
C623	1-162-286-31	CERAMIC 220PF 10% 50V	
C625	1-136-161-00	FILM 0.047uF 5% 50V (CH,SP,MY)	
C627	1-136-161-00	FILM 0.047uF 5% 50V (CH,SP,MY)	
C801	1-104-664-11	ELECT 47uF 20% 25V	
C803	1-117-950-11	ELECT 10000uF 20% 63V (MY,SP,CH)	
C803	1-109-932-11	ELECT(BLOCK) 10000uF 20% 71V (US,CND,AUS)	
C804	1-117-950-11	ELECT 10000uF 20% 63V (MY,SP,CH)	
C804	1-109-932-11	ELECT(BLOCK) 10000uF 20% 71V (US,CND,AUS)	
C805	1-130-781-00	FILM 0.22uF 10% 100V	
C806	1-130-781-00	FILM 0.22uF 10% 100V	
C807	1-126-967-11	ELECT 47uF 20% 50V	
C808	1-126-967-11	ELECT 47uF 20% 50V	
C811	1-126-041-11	ELECT 2200uF 20% 35V	
C812	1-126-105-11	ELECT 1000uF 20% 35V	

<p>The components identified by mark Δ or dotted line with mark Δ are critical for safety. Replace only with part number specified.</p>	<p>Les composants identifiés par une marque Δ sont critiques pour la sécurité. Ne les remplacer que par une pièce portant le numéro spécifié.</p>
---	---

AMPLIFIER

Ref. No.	Part No.	Description	Remarks	Ref. No.	Part No.	Description	Remarks
C813	1-126-022-11	ELECT	47uF 20% 16V	△F803	1-533-419-11	FUSE, GLASS CYLINDRICAL (DIA.5)4A(US,CND)	
CC48	1-136-153-00	FILM	0.01uF 5% 50V	△F804	1-532-504-51	FUSE TIME LGA 4A (MY,SP,AUS,CH)	
CC49	1-136-153-00	FILM	0.01uF 5% 50V	△F804	1-533-419-11	FUSE, GLASS CYLINDRICAL (DIA.5)4A(US,CND)	
CC98	1-136-153-00	FILM	0.01uF 5% 50V			< IC >	
CC99	1-136-153-00	FILM	0.01uF 5% 50V				
		< CONNECTOR >		IC809	8-759-708-05	IC NJM78L05A	
CNP751	1-779-978-11	PIN, CONNECTOR 3P				< COIL >	
* CNP801	1-564-243-11	PIN, CONNECTOR 6P		L501	1-411-906-11	COIL, AIR-CORE (MY,SP,CH)	
* CNP802	1-564-104-00	PIN, CONNECTOR (B3P-VH) 3P		L501	1-420-872-00	COIL, AIR-CORE (US,CND,AUS)	
CNP805	1-784-923-11	PIN, CONNECTOR 7P		L551	1-411-906-11	COIL, AIR-CORE (MY,SP,CH)	
CNP806	1-691-765-11	PLUG (MICRO CONNECTOR) 3P		L551	1-420-872-00	COIL, AIR-CORE (US,CND,AUS)	
CNS651	1-784-806-11	HOUSING,CONNECTOR(PC BOARD)13P				< TRANSISTOR >	
		< DIODE >		Q504	8-729-119-76	TRANSISTOR 2SA1175-HFE	
D501	8-719-911-19	DIODE 1SS119		Q505	8-729-209-15	TRANSISTOR 2SD2012	
D502	8-719-109-51	DIODE RD2.0ES-B2		Q506	8-749-010-25	TRANSISTOR MN2488-OPY-M	
D503	8-719-109-51	DIODE RD2.0ES-B2		Q507	8-749-010-26	TRANSISTOR MP1620-OPY-M	
D504	8-719-911-19	DIODE 1SS119		Q508	8-729-140-82	TRANSISTOR 2SA988-PAFAEA	
D505	8-719-911-19	DIODE 1SS119		Q509	8-729-281-53	TRANSISTOR 2SC1815-GR	
D506	8-719-911-19	DIODE 1SS119		Q510	8-729-900-63	TRANSISTOR DTA124ES	
D545	8-719-911-19	DIODE 1SS119		Q511	8-729-900-63	TRANSISTOR DTA124ES	
D546	8-719-911-19	DIODE 1SS119		Q546	8-729-119-79	TRANSISTOR 2SC2785-FEK	
D547	8-719-911-19	DIODE 1SS119		Q547	8-729-140-84	TRANSISTOR 2SC1841-PAFAEA	
D548	8-719-911-19	DIODE 1SS119		Q548	8-729-119-79	TRANSISTOR 2SC2785-FEK	
D549	8-719-911-19	DIODE 1SS119		Q549	8-729-140-82	TRANSISTOR 2SA988-PAFAEA	
D551	8-719-911-19	DIODE 1SS119		Q554	8-729-119-76	TRANSISTOR 2SA1175-HFE	
D552	8-719-109-51	DIODE RD2.0ES-B2		Q555	8-729-209-15	TRANSISTOR 2SD2012	
D553	8-719-109-51	DIODE RD2.0ES-B2		Q556	8-749-010-25	TRANSISTOR MN2488-OPY-M	
D554	8-719-911-19	DIODE 1SS119		Q557	8-749-010-26	TRANSISTOR MP1620-OPY-M	
D555	8-719-911-19	DIODE 1SS119		Q558	8-729-140-82	TRANSISTOR 2SA988-PAFAEA	
D556	8-719-911-19	DIODE 1SS119		Q559	8-729-281-53	TRANSISTOR 2SC1815-GR	
D601	8-719-911-19	DIODE 1SS119		Q560	8-729-900-63	TRANSISTOR DTA124ES	
D602	8-719-109-51	DIODE RD2.0ES-B2		Q561	8-729-900-63	TRANSISTOR DTA124ES	
D603	8-719-109-51	DIODE RD2.0ES-B2		Q596	8-729-119-79	TRANSISTOR 2SC2785-FEK	
D604	8-719-911-19	DIODE 1SS119		Q601	8-729-119-79	TRANSISTOR 2SC2785-FEK	
D608	8-719-911-19	DIODE 1SS119		Q604	8-729-119-76	TRANSISTOR 2SA1175-HFE	
D647	8-719-911-19	DIODE 1SS119		Q605	8-729-209-15	TRANSISTOR 2SD2012	
D648	8-719-911-19	DIODE 1SS119		Q606	8-749-010-25	TRANSISTOR MN2488-OPY-M	
D801	8-719-302-37	DIODE RBV-602 (MY,SP,CH)		Q607	8-749-010-26	TRANSISTOR MP1620-OPY-M	
D801	8-719-302-38	DIODE RBV-602-01 (US,CND,AUS)		Q608	8-729-140-82	TRANSISTOR 2SA988-PAFAEA	
D802	8-719-024-99	DIODE 11ES2-NTA2B		Q612	8-729-281-53	TRANSISTOR 2SC1815-GR	
D803	8-719-024-99	DIODE 11ES2-NTA2B		Q613	8-729-281-53	TRANSISTOR 2SC1815-GR	
D804	8-719-024-99	DIODE 11ES2-NTA2B		Q614	8-729-201-53	TRANSISTOR 2SA1015-GR	
D805	8-719-024-99	DIODE 11ES2-NTA2B		Q615	8-729-900-36	TRANSISTOR DTC124ES	
D806	8-719-160-26	DIODE RD5.6F-B2		Q616	8-729-900-36	TRANSISTOR DTC124ES	
D807	8-719-934-22	DIODE HZS30-2L		Q617	8-729-900-36	TRANSISTOR DTC124ES	
		< EARTH >		Q618	8-729-900-63	TRANSISTOR DTA124ES	
* EB701	1-537-738-21	TERMINAL, EARTH		Q801	8-729-026-68	TRANSISTOR 2SD2525(TP)	
* EB702	1-537-738-21	TERMINAL, EARTH				< RESISTOR >	
		< FUSE >		R521	1-249-422-11	CARBON 2.7K 5% 1/4W F	
△F801	1-532-506-51	FUSE TIME LAG 6.3A (AUS)		R522	1-249-433-11	CARBON 22K 5% 1/4W F	
△F801	1-533-311-11	FUSE, GLASS CYLINDRICAL(DIA.5)8A (US,CND,MY,SP,CH)		R523	1-249-414-11	CARBON 560 5% 1/4W F	
△F802	1-532-506-51	FUSE TIME LAG 6.3A (AUS)		△R524	1-249-408-11	CARBON 180 5% 1/4W F	
△F802	1-533-311-11	FUSE, GLASS CYLINDRICAL(DIA.5)8A (US,CND,MY,SP,CH)		△R525	1-249-408-11	CARBON 180 5% 1/4W F	
△F803	1-532-504-51	FUSE TIME LGA 4A (MY,SP,AUS,CH)					

<p>The components identified by mark △ or dotted line with mark △ are critical for safety. Replace only with part number specified.</p>	<p>Les composants identifiés par une marque △ sont critiques pour la sécurité. Ne les remplacer que par une pièce portant le numéro spécifié.</p>
---	---

AMPLIFIER

AUDIO

Ref. No.	Part No.	Description	Remarks
R526	1-233-352-41	ENCAPSULATED COMPONENT	
R527	1-247-850-11	CARBON 6.2K 5%	1/4W
R528	1-249-419-11	CARBON 1.5K 5%	1/4W F
R529	1-247-866-11	CARBON 30K 5%	1/4W
R530	1-249-421-11	CARBON 2.2K 5%	1/4W F
R531	1-249-433-11	CARBON 22K 5%	1/4W
R532	1-249-437-11	CARBON 47K 5%	1/4W
△R533	1-249-393-11	CARBON 10 5%	1/4W F
△R534	1-249-389-11	CARBON 4.7 5%	1/4W F
R535	1-249-431-11	CARBON 15K 5%	1/4W
R539	1-249-427-11	CARBON 6.8K 5%	1/4W F
R540	1-249-417-11	CARBON 1K 5%	1/4W F
R541	1-249-429-11	CARBON 10K 5%	1/4W
R542	1-249-429-11	CARBON 10K 5%	1/4W
R547	1-249-425-11	CARBON 4.7K 5%	1/4W F
R548	1-249-429-11	CARBON 10K 5%	1/4W
△R549	1-249-407-11	CARBON 150 5%	1/4W F
R555	1-247-881-00	CARBON 120K 5%	1/4W
R556	1-247-881-00	CARBON 120K 5%	1/4W
R571	1-249-422-11	CARBON 2.7K 5%	1/4W F
R572	1-249-433-11	CARBON 22K 5%	1/4W
R573	1-249-414-11	CARBON 560 5%	1/4W F
△R574	1-249-408-11	CARBON 180 5%	1/4W F
△R575	1-249-408-11	CARBON 180 5%	1/4W F
△R576	1-233-352-41	ENCAPSULATED COMPONENT	
R577	1-247-850-11	CARBON 6.2K 5%	1/4W
R578	1-249-419-11	CARBON 1.5K 5%	1/4W F
R579	1-247-866-11	CARBON 30K 5%	1/4W
R580	1-249-421-11	CARBON 2.2K 5%	1/4W F
R581	1-249-433-11	CARBON 22K 5%	1/4W
R582	1-249-437-11	CARBON 47K 5%	1/4W
△R583	1-249-393-11	CARBON 10 5%	1/4W F
△R584	1-249-389-11	CARBON 4.7 5%	1/4W F
R585	1-249-431-11	CARBON 15K 5%	1/4W
R586	1-249-429-11	CARBON 10K 5%	1/4W
R587	1-249-425-11	CARBON 4.7K 5%	1/4W F
△R588	1-249-393-11	CARBON 10 5%	1/4W F
△R607	1-215-891-11	METAL OXIDE 680 5%	2W F
△R607	1-216-456-00	METAL OXIDE 820 5%	2W F (MY,SP,CH) (US,CND,AUS)
R621	1-249-422-11	CARBON 2.7K 5%	1/4W F
R622	1-249-441-11	CARBON 100K 5%	1/4W
R623	1-249-414-11	CARBON 560 5%	1/4W F
△R624	1-249-408-11	CARBON 180 5%	1/4W F
△R625	1-249-408-11	CARBON 180 5%	1/4W F
△R626	1-233-352-41	ENCAPSULATED COMPONENT	
R627	1-247-850-11	CARBON 6.2K 5%	1/4W
R628	1-249-419-11	CARBON 1.5K 5%	1/4W F
R632	1-249-437-11	CARBON 47K 5%	1/4W
△R633	1-249-393-11	CARBON 10 5%	1/4W F
△R640	1-216-450-00	METAL OXIDE 82 5%	2W F (MY,SP,CH)
△R640	1-215-886-11	METAL OXIDE 100 5%	2W F (US,CND,AUS)
R641	1-249-441-11	CARBON 100K 5%	1/4W
△R642	1-215-888-00	METAL OXIDE 220 5%	2W F
R643	1-249-441-11	CARBON 100K 5%	1/4W
△R644	1-216-456-00	METAL OXIDE 820 5%	2W F

Ref. No.	Part No.	Description	Remarks
R645	1-249-441-11	CARBON 100K 5%	1/4W
R650	1-249-425-11	CARBON 4.7K 5%	1/4W F
R657	1-249-429-11	CARBON 10K 5%	1/4W
△R658	1-249-393-11	CARBON 10 5%	1/4W F
R672	1-249-433-11	CARBON 22K 5%	1/4W
R739	1-215-868-00	METAL OXIDE 680 5%	1W F
R789	1-215-868-00	METAL OXIDE 680 5%	1W F
R801	1-247-843-11	CARBON 3.3K 5%	1/4W
△R802	1-249-401-11	CARBON 47 5%	1/4W F
△RR48	1-249-393-11	CARBON 10 5%	1/4W F
△RR49	1-249-393-11	CARBON 10 5%	1/4W F
△RR98	1-249-393-11	CARBON 10 5%	1/4W F
△RR99	1-249-393-11	CARBON 10 5%	1/4W F
< RELAY >			
RY501	1-515-920-11	RELAY (24V)	
RY502	1-515-920-11	RELAY (24V)	
RY602	1-515-793-11	RELAY	
< TERMINAL >			
TM501	1-537-922-11	TERMINAL BOARD (SPEAKERS) (US,CND,AUS)	
TM501	1-694-429-21	TERMINAL BOARD (SPEAKERS) (MY,SP,CH)	

*	1-670-001-11	AUDIO BOARD	

< CAPACITOR >			
C396	1-126-022-11	ELECT 47uF 20%	16V
C397	1-126-022-11	ELECT 47uF 20%	16V
C398	1-162-282-31	CERAMIC 100PF 10%	50V
C399	1-162-294-31	CERAMIC 0.001uF 10%	50V
CC08	1-162-282-31	CERAMIC 100PF 10%	50V
CC09	1-162-282-31	CERAMIC 100PF 10%	50V
CC10	1-162-282-31	CERAMIC 100PF 10%	50V
CC11	1-162-282-31	CERAMIC 100PF 10%	50V
CC12	1-162-282-31	CERAMIC 100PF 10%	50V
CC13	1-162-282-31	CERAMIC 100PF 10%	50V
CC58	1-162-282-31	CERAMIC 100PF 10%	50V
CC59	1-162-282-31	CERAMIC 100PF 10%	50V
CC60	1-162-282-31	CERAMIC 100PF 10%	50V
CC61	1-162-282-31	CERAMIC 100PF 10%	50V
CC62	1-162-282-31	CERAMIC 100PF 10%	50V
CC63	1-162-282-31	CERAMIC 100PF 10%	50V
< CONNECTOR >			
CNS351	1-784-729-11	CONNECTOR, FFC 7P	
< IC >			
IC303	8-759-805-14	IC LC7822	
< JACK >			
J304	1-784-920-11	JACK,PIN 6P(VIDEO1IN/OUT,VIDEO2 IN)	
J305	1-784-920-11	JACK,PIN 6P (VIDEO2OUT,DVD,DVD/LD,TV/DBS)	

The components identified by mark △ or dotted line with mark △ are critical for safety. Replace only with part number specified.

Les composants identifiés par une marque △ sont critiques pour la sécurité. Ne les remplacer que par une pièce portant le numéro spécifié.

AUDIO

D.IN/OUT

DIGITAL

Ref. No.	Part No.	Description	Remarks
< RESISTOR >			
R315	1-249-417-11	CARBON 1K 5%	1/4W F
R316	1-249-417-11	CARBON 1K 5%	1/4W F
R317	1-249-417-11	CARBON 1K 5%	1/4W F
R318	1-249-417-11	CARBON 1K 5%	1/4W F
R319	1-249-417-11	CARBON 1K 5%	1/4W F
R320	1-249-417-11	CARBON 1K 5%	1/4W F
R365	1-249-417-11	CARBON 1K 5%	1/4W F
R366	1-249-417-11	CARBON 1K 5%	1/4W F
R367	1-249-417-11	CARBON 1K 5%	1/4W F
R368	1-249-417-11	CARBON 1K 5%	1/4W F
R369	1-249-417-11	CARBON 1K 5%	1/4W F
R370	1-249-417-11	CARBON 1K 5%	1/4W F
R394	1-249-397-11	CARBON 22 5%	1/4W F
R395	1-249-397-11	CARBON 22 5%	1/4W F
R398	1-249-417-11	CARBON 1K 5%	1/4W F
R399	1-249-425-11	CARBON 4.7K 5%	1/4W F

*	1-670-029-11	D.IN/OUT BOARD *****	
< CAPACITOR >			
C1001	1-165-319-11	CERAMIC CHIP 0.1uF	50V
C1002	1-165-319-11	CERAMIC CHIP 0.1uF	50V
C1003	1-165-319-11	CERAMIC CHIP 0.1uF	50V
C1004	1-165-319-11	CERAMIC CHIP 0.1uF	50V
C1005	1-165-319-11	CERAMIC CHIP 0.1uF	50V
C1006	1-165-319-11	CERAMIC CHIP 0.1uF	50V
C1007	1-164-346-11	CERAMIC CHIP 1uF	16V
C1008	1-165-319-11	CERAMIC CHIP 0.1uF	50V
C1009	1-104-664-11	ELECT 47uF 20%	16V
< CONNECTOR >			
CNS13	1-564-723-11	PIN, CONNECTOR (SMALL TYPE) 7P	
< IC >			
IC1001	8-749-923-05	IC TORX178	
IC1002	8-749-923-05	IC TORX178	
IC1003	8-749-923-05	IC TORX178	
IC1004	8-749-923-04	IC TOTX178	
IC1005	8-759-236-19	IC TC74HC151AF(EL)	
IC1006	8-759-235-19	IC TC74HC08AF(EL)	
IC1007	8-759-242-70	IC TC7WU04F	
< JACK >			
J1001	1-779-382-11	JACK, PIN 1P (DVD/LD IN)	
< RESISTOR >			
R1001	1-216-022-00	METAL CHIP 75 5%	1/10W
R1002	1-216-022-00	METAL CHIP 75 5%	1/10W
R1003	1-216-022-00	METAL CHIP 75 5%	1/10W
R1004	1-216-022-00	METAL CHIP 75 5%	1/10W
R1005	1-216-025-91	RES.CHIP 100 5%	1/10W
R1006	1-216-025-91	RES.CHIP 100 5%	1/10W
R1007	1-216-025-91	RES.CHIP 100 5%	1/10W
R1008	1-216-022-00	METAL CHIP 75 5%	1/10W
R1009	1-216-049-91	RES.CHIP 1K 5%	1/10W
R1010	1-216-073-00	METAL CHIP 10K 5%	1/10W

Ref. No.	Part No.	Description	Remarks
R1011	1-216-025-91	RES.CHIP 100 5%	1/10W
R1013	1-216-115-00	METAL CHIP 560K 5%	1/10W

*	A-4414-126-A	DIGITAL BOARD, COMPLETE *****	
< CAPACITOR >			
C1101	1-163-275-11	CERAMIC CHIP 0.001uF	5% 50V
C1102	1-126-022-11	ELECT 47uF	20% 16V
C1103	1-165-319-11	CERAMIC CHIP 0.1uF	50V
C1104	1-165-319-11	CERAMIC CHIP 0.1uF	50V
C1105	1-126-022-11	ELECT 47uF	20% 16V
C1106	1-165-319-11	CERAMIC CHIP 0.1uF	50V
C1107	1-163-021-91	CERAMIC CHIP 0.01uF	10% 50V
C1108	1-165-319-11	CERAMIC CHIP 0.1uF	50V
C1109	1-163-243-11	CERAMIC CHIP 47PF	5% 50V
C1110	1-163-243-11	CERAMIC CHIP 47PF	5% 50V
C1111	1-165-319-11	CERAMIC CHIP 0.1uF	50V
C1112	1-165-319-11	CERAMIC CHIP 0.1uF	50V
C1113	1-126-059-11	ELECT 10uF	20% 50V
C1114	1-165-319-11	CERAMIC CHIP 0.1uF	50V
C1115	1-126-059-11	ELECT 10uF	20% 50V
C1116	1-165-319-11	CERAMIC CHIP 0.1uF	50V
C1117	1-163-251-11	CERAMIC CHIP 100PF	5% 50V
C1118	1-165-319-11	CERAMIC CHIP 0.1uF	50V
C1119	1-165-319-11	CERAMIC CHIP 0.1uF	50V
C1120	1-126-059-11	ELECT 10uF	20% 50V
C1121	1-165-319-11	CERAMIC CHIP 0.1uF	50V
C1122	1-126-233-11	ELECT 22uF	20% 50V
C1123	1-106-347-00	MYLAR 1500PF	5% 200V
C1124	1-126-233-11	ELECT 22uF	20% 50V
C1125	1-126-233-11	ELECT 22uF	20% 50V
C1126	1-126-233-11	ELECT 22uF	20% 50V
C1127	1-163-251-11	CERAMIC CHIP 100PF	5% 50V
C1128	1-126-233-11	ELECT 22uF	20% 50V
C1129	1-163-251-11	CERAMIC CHIP 100PF	5% 50V
C1130	1-126-233-11	ELECT 22uF	20% 50V
C1131	1-163-251-11	CERAMIC CHIP 100PF	5% 50V
C1132	1-126-233-11	ELECT 22uF	20% 50V
C1133	1-163-251-11	CERAMIC CHIP 100PF	5% 50V
C1134	1-126-233-11	ELECT 22uF	20% 50V
C1135	1-163-251-11	CERAMIC CHIP 100PF	5% 50V
C1136	1-126-233-11	ELECT 22uF	20% 50V
C1137	1-163-251-11	CERAMIC CHIP 100PF	5% 50V
C1138	1-126-233-11	ELECT 22uF	20% 50V
C1139	1-126-022-11	ELECT 47uF	20% 16V
C1140	1-126-022-11	ELECT 47uF	20% 16V
C1141	1-165-319-11	CERAMIC CHIP 0.1uF	50V
C1142	1-165-319-11	CERAMIC CHIP 0.1uF	50V
C1143	1-165-319-11	CERAMIC CHIP 0.1uF	50V
C1170	1-126-059-11	ELECT 10uF	20% 50V
C1171	1-165-319-11	CERAMIC CHIP 0.1uF	50V
C1172	1-126-233-11	ELECT 22uF	20% 50V
C1173	1-106-347-00	MYLAR 1500PF	5% 200V
C1174	1-126-233-11	ELECT 22uF	20% 50V
C1175	1-126-233-11	ELECT 22uF	20% 50V
C1176	1-126-233-11	ELECT 22uF	20% 50V

DIGITAL

Ref. No.	Part No.	Description	Remarks	Ref. No.	Part No.	Description	Remarks
C1201	1-126-059-11	ELECT	10uF 20%	50V	D1203	8-719-801-78	DIODE 1SS184
C1202	1-165-319-11	CERAMIC CHIP	0.1uF	50V	D1204	8-719-016-74	DIODE 1SS352
C1203	1-165-319-11	CERAMIC CHIP	0.1uF	50V			
C1204	1-165-319-11	CERAMIC CHIP	0.1uF	50V	D1205	8-719-016-74	DIODE 1SS352
C1205	1-165-319-11	CERAMIC CHIP	0.1uF	50V	D1206	8-719-801-78	DIODE 1SS184
C1206	1-163-275-11	CERAMIC CHIP	0.001uF 5%	50V		< EARTH >	
C1207	1-165-319-11	CERAMIC CHIP	0.1uF	50V			
C1208	1-165-319-11	CERAMIC CHIP	0.1uF	50V	* EB1001	1-537-738-21	TERMINAL, EARTH
C1209	1-165-319-11	CERAMIC CHIP	0.1uF	50V		< FERRITE BEAD >	
C1210	1-163-251-11	CERAMIC CHIP	100PF 5%	50V			
C1211	1-163-251-11	CERAMIC CHIP	100PF 5%	50V	FB1101	1-410-397-21	FERRITE BEAD INDUCTOR
C1212	1-163-251-11	CERAMIC CHIP	100PF 5%	50V	FB1102	1-410-397-21	FERRITE BEAD INDUCTOR
C1213	1-163-251-11	CERAMIC CHIP	100PF 5%	50V		< IC >	
C1214	1-163-251-11	CERAMIC CHIP	100PF 5%	50V			
C1215	1-165-319-11	CERAMIC CHIP	0.1uF	50V	IC1101	8-759-294-79	IC CXD8495AQ
C1216	1-165-319-11	CERAMIC CHIP	0.1uF	50V	IC1102	8-759-523-80	IC TC74VHC04FT(EL)
C1217	1-165-319-11	CERAMIC CHIP	0.1uF	50V	IC1103	8-759-534-62	IC AK4526
C1301	1-165-319-11	CERAMIC CHIP	0.1uF	50V	IC1104	8-759-636-55	IC M5218AFP
C1302	1-165-319-11	CERAMIC CHIP	0.1uF	50V	IC1105	8-759-636-55	IC M5218AFP
C1303	1-165-319-11	CERAMIC CHIP	0.1uF	50V			
C1304	1-165-319-11	CERAMIC CHIP	0.1uF	50V	IC1106	8-759-636-55	IC M5218AFP
C1305	1-165-319-11	CERAMIC CHIP	0.1uF	50V	IC1107	8-759-636-55	IC M5218AFP
C1306	1-165-319-11	CERAMIC CHIP	0.1uF	50V	IC1108	8-759-032-01	IC MC74HC00AF
C1307	1-163-227-11	CERAMIC CHIP	10PF 0.5PF	50V	IC1109	8-759-195-02	IC TC7S86F-TE85L
C1308	1-165-319-11	CERAMIC CHIP	0.1uF	50V	IC1154	8-759-636-55	IC M5218AFP
C1309	1-124-443-00	ELECT	100uF 20%	10V	IC1201	8-759-545-83	IC MB90574PFV-G-146-BND
C1309	1-165-319-11	CERAMIC CHIP	0.1uF	50V	IC1202	8-759-523-80	IC TC74VHC04FT(EL)
C1310	1-165-319-11	CERAMIC CHIP	0.1uF	50V	IC1301	8-759-534-61	IC CS4923
C1311	1-165-319-11	CERAMIC CHIP	0.1uF	50V	IC1305	8-759-530-30	IC TC74VHC04FT(EL)
C1312	1-165-319-11	CERAMIC CHIP	0.1uF	50V	IC1401	8-752-391-87	IC CXD2712R
C1401	1-165-319-11	CERAMIC CHIP	0.1uF	50V			
C1402	1-165-319-11	CERAMIC CHIP	0.1uF	50V	IC1402	8-759-538-16	IC IDT71V016S15PHAU-TL
C1403	1-163-275-11	CERAMIC CHIP	0.001uF 5%	50V	IC1403	8-759-524-48	IC TC74VHC393FT(EL)
C1404	1-165-319-11	CERAMIC CHIP	0.1uF	50V	IC1501	8-759-231-53	IC TA7805S
C1405	1-165-319-11	CERAMIC CHIP	0.1uF	50V		< TRANSISTOR >	
C1406	1-165-319-11	CERAMIC CHIP	0.1uF	50V	Q1201	8-729-216-22	TRANSISTOR 2SA1162-G
C1407	1-165-319-11	CERAMIC CHIP	0.1uF	50V	Q1202	8-729-027-43	TRANSISTOR DTC114EKA-T146
C1408	1-165-319-11	CERAMIC CHIP	0.1uF	50V	Q1203	8-729-230-49	TRANSISTOR 2SC2712-YG
C1409	1-124-443-00	ELECT	100uF 20%	10V	Q1204	8-729-230-49	TRANSISTOR 2SC2712-YG
C1410	1-165-319-11	CERAMIC CHIP	0.1uF	50V	Q1205	8-729-230-49	TRANSISTOR 2SC2712-YG
C1411	1-165-319-11	CERAMIC CHIP	0.1uF	50V	Q1206	8-729-230-49	TRANSISTOR 2SC2712-YG
C1412	1-165-319-11	CERAMIC CHIP	0.1uF	50V	Q1207	8-729-230-49	TRANSISTOR 2SC2712-YG
C1413	1-165-319-11	CERAMIC CHIP	0.1uF	50V	Q1208	8-729-027-43	TRANSISTOR DTC114EKA-T146
C1501	1-126-012-11	ELECT	470uF 20%	16V		< RESISTOR >	
C1502	1-126-022-11	ELECT	47uF 20%	16V			
		< CONNECTOR >					
CNP10	1-784-926-11	PIN, CONNECTOR 11P			R1101	1-216-025-91	RES,CHIP 100 5% 1/10W
CNP11	1-779-977-11	PIN, CONNECTOR 6P			R1102	1-216-025-91	RES,CHIP 100 5% 1/10W
CNP12	1-784-923-11	PIN, CONNECTOR 7P			R1103	1-216-025-91	RES,CHIP 100 5% 1/10W
CNP14	1-779-978-11	PIN, CONNECTOR 3P			R1104	1-216-085-00	METAL CHIP 33K 5% 1/10W
CNP15	1-564-510-11	PLUG, CONNECTOR 7P			R1105	1-216-082-00	RES,CHIP 24K 5% 1/10W
CNS10	1-784-782-11	CONNECTOR, FFC 21P			R1106	1-216-066-00	METAL CHIP 5.1K 5% 1/10W
CNS11	1-784-790-11	CONNECTOR, FFC 29P			R1107	1-216-066-00	METAL CHIP 5.1K 5% 1/10W
		< DIODE >			R1108	1-216-029-00	METAL CHIP 150 5% 1/10W
D1101	8-719-016-74	DIODE 1SS352			R1109	1-216-104-00	METAL CHIP 200K 5% 1/10W
D1201	8-719-016-74	DIODE 1SS352			R1110	1-216-025-91	RES,CHIP 100 5% 1/10W
D1202	8-719-801-78	DIODE 1SS184			R1111	1-216-089-91	RES,CHIP 47K 5% 1/10W
					R1112	1-216-025-91	RES,CHIP 100 5% 1/10W
					R1113	1-216-025-91	RES,CHIP 100 5% 1/10W
					R1114	1-216-025-91	RES,CHIP 100 5% 1/10W
					R1115	1-216-097-91	RES,CHIP 100K 5% 1/10W

Ref. No.	Part No.	Description	Quantity	Unit	Percentage	Remarks	Ref. No.	Part No.	Description	Quantity	Unit	Percentage	Remarks
R1116	1-216-025-91	RES,CHIP	100		5%	1/10W	R1203	1-216-049-91	RES,CHIP	1K		5%	1/10W
R1117	1-216-025-91	RES,CHIP	100		5%	1/10W	R1204	1-216-049-91	RES,CHIP	1K		5%	1/10W
R1118	1-216-097-91	RES,CHIP	100K		5%	1/10W	R1205	1-216-049-91	RES,CHIP	1K		5%	1/10W
R1119	1-216-025-91	RES,CHIP	100		5%	1/10W	R1206	1-216-049-91	RES,CHIP	1K		5%	1/10W
R1120	1-216-065-91	RES,CHIP	4.7K		5%	1/10W	R1207	1-216-049-91	RES,CHIP	1K		5%	1/10W
R1121	1-216-065-91	RES,CHIP	4.7K		5%	1/10W	R1208	1-216-049-91	RES,CHIP	1K		5%	1/10W
R1122	1-216-073-00	METAL CHIP	10K		5%	1/10W	R1209	1-216-049-91	RES,CHIP	1K		5%	1/10W
R1123	1-216-065-91	RES,CHIP	4.7K		5%	1/10W	R1210	1-216-049-91	RES,CHIP	1K		5%	1/10W
R1124	1-216-037-00	METAL CHIP	330		5%	1/10W	R1211	1-216-049-91	RES,CHIP	1K		5%	1/10W
R1125	1-216-073-00	METAL CHIP	10K		5%	1/10W	R1212	1-216-049-91	RES,CHIP	1K		5%	1/10W
R1126	1-216-037-00	METAL CHIP	330		5%	1/10W	R1213	1-216-049-91	RES,CHIP	1K		5%	1/10W
R1127	1-216-073-00	METAL CHIP	10K		5%	1/10W	R1214	1-216-049-91	RES,CHIP	1K		5%	1/10W
R1128	1-216-049-91	RES,CHIP	1K		5%	1/10W	R1215	1-216-025-91	RES,CHIP	100		5%	1/10W
R1129	1-216-049-91	RES,CHIP	1K		5%	1/10W	R1216	1-216-025-91	RES,CHIP	100		5%	1/10W
R1130	1-216-049-91	RES,CHIP	1K		5%	1/10W	R1217	1-216-025-91	RES,CHIP	100		5%	1/10W
R1131	1-216-097-91	RES,CHIP	100K		5%	1/10W	R1218	1-216-049-91	RES,CHIP	1K		5%	1/10W
R1132	1-216-089-91	RES,CHIP	47K		5%	1/10W	R1219	1-216-049-91	RES,CHIP	1K		5%	1/10W
R1133	1-216-089-91	RES,CHIP	47K		5%	1/10W	R1220	1-216-049-91	RES,CHIP	1K		5%	1/10W
R1134	1-216-049-91	RES,CHIP	1K		5%	1/10W	R1221	1-216-049-91	RES,CHIP	1K		5%	1/10W
R1135	1-216-025-91	RES,CHIP	100		5%	1/10W	R1222	1-216-049-91	RES,CHIP	1K		5%	1/10W
R1136	1-216-089-91	RES,CHIP	47K		5%	1/10W	R1223	1-216-104-00	METAL CHIP	200K		5%	1/10W
R1137	1-216-089-91	RES,CHIP	47K		5%	1/10W	R1224	1-216-295-91	SHORT	0			
R1138	1-216-089-91	RES,CHIP	47K		5%	1/10W	R1225	1-216-689-11	METAL CHIP	39K		0.5%	1/10W
R1139	1-216-049-91	RES,CHIP	1K		5%	1/10W	R1226	1-216-689-11	METAL CHIP	39K		0.5%	1/10W
R1140	1-216-089-91	RES,CHIP	47K		5%	1/10W	R1227	1-216-073-00	METAL CHIP	10K		5%	1/10W
R1141	1-216-089-91	RES,CHIP	47K		5%	1/10W	R1228	1-216-073-00	METAL CHIP	10K		5%	1/10W
R1142	1-216-089-91	RES,CHIP	47K		5%	1/10W	R1229	1-216-097-91	RES,CHIP	100K		5%	1/10W
R1143	1-216-049-91	RES,CHIP	1K		5%	1/10W	R1230	1-216-097-91	RES,CHIP	100K		5%	1/10W
R1144	1-216-089-91	RES,CHIP	47K		5%	1/10W	R1231	1-216-049-91	RES,CHIP	1K		5%	1/10W
R1145	1-216-089-91	RES,CHIP	47K		5%	1/10W	R1232	1-216-049-91	RES,CHIP	1K		5%	1/10W
R1146	1-216-089-91	RES,CHIP	47K		5%	1/10W	R1233	1-216-049-91	RES,CHIP	1K		5%	1/10W
R1147	1-216-049-91	RES,CHIP	1K		5%	1/10W	R1234	1-216-049-91	RES,CHIP	1K		5%	1/10W
R1148	1-216-089-91	RES,CHIP	47K		5%	1/10W	R1235	1-216-049-91	RES,CHIP	1K		5%	1/10W
R1149	1-216-089-91	RES,CHIP	47K		5%	1/10W	R1236	1-216-049-91	RES,CHIP	1K		5%	1/10W
R1150	1-216-089-91	RES,CHIP	47K		5%	1/10W	R1237	1-216-049-91	RES,CHIP	1K		5%	1/10W
R1151	1-216-049-91	RES,CHIP	1K		5%	1/10W	R1238	1-216-049-91	RES,CHIP	1K		5%	1/10W
R1152	1-216-089-91	RES,CHIP	47K		5%	1/10W	R1239	1-216-073-00	METAL CHIP	10K		5%	1/10W
R1153	1-216-089-91	RES,CHIP	47K		5%	1/10W	R1240	1-216-073-00	METAL CHIP	10K		5%	1/10W
R1154	1-216-089-91	RES,CHIP	47K		5%	1/10W	R1241	1-216-073-00	METAL CHIP	10K		5%	1/10W
R1155	1-216-295-91	SHORT	0				R1242	1-216-057-00	METAL CHIP	2.2K		5%	1/10W
R1156	1-216-049-91	RES,CHIP	1K		5%	1/10W	R1243	1-216-025-91	RES,CHIP	100		5%	1/10W
R1157	1-216-295-91	SHORT	0				R1244	1-216-057-00	METAL CHIP	2.2K		5%	1/10W
R1158	1-216-025-91	RES,CHIP	100		5%	1/10W	R1245	1-216-057-00	METAL CHIP	2.2K		5%	1/10W
R1159	1-216-025-91	RES,CHIP	100		5%	1/10W	R1246	1-216-025-91	RES,CHIP	100		5%	1/10W
R1160	1-216-089-91	RES,CHIP	47K		5%	1/10W	R1247	1-216-025-91	RES,CHIP	100		5%	1/10W
R1165	1-216-089-91	RES,CHIP	47K		5%	1/10W	R1248	1-216-065-91	RES,CHIP	4.7K		5%	1/10W
R1166	1-216-089-91	RES,CHIP	47K		5%	1/10W	R1249	1-216-073-00	METAL CHIP	10K		5%	1/10W
R1170	1-216-065-91	RES,CHIP	4.7K		5%	1/10W	R1250	1-216-065-91	RES,CHIP	4.7K		5%	1/10W
R1171	1-216-065-91	RES,CHIP	4.7K		5%	1/10W	R1251	1-216-073-00	METAL CHIP	10K		5%	1/10W
R1172	1-216-073-00	METAL CHIP	10K		5%	1/10W	R1252	1-216-057-00	METAL CHIP	2.2K		5%	1/10W
R1173	1-216-065-91	RES,CHIP	4.7K		5%	1/10W	R1253	1-216-057-00	METAL CHIP	2.2K		5%	1/10W
R1174	1-216-037-00	METAL CHIP	330		5%	1/10W	R1254	1-216-057-00	METAL CHIP	2.2K		5%	1/10W
R1175	1-216-073-00	METAL CHIP	10K		5%	1/10W	R1255	1-216-057-00	METAL CHIP	2.2K		5%	1/10W
R1176	1-216-037-00	METAL CHIP	330		5%	1/10W	R1256	1-216-057-00	METAL CHIP	2.2K		5%	1/10W
R1177	1-216-073-00	METAL CHIP	10K		5%	1/10W	R1257	1-216-057-00	METAL CHIP	2.2K		5%	1/10W
R1178	1-216-049-91	RES,CHIP	1K		5%	1/10W	R1258	1-216-057-00	METAL CHIP	2.2K		5%	1/10W
R1179	1-216-049-91	RES,CHIP	1K		5%	1/10W	R1259	1-216-073-00	METAL CHIP	10K		5%	1/10W
R1180	1-216-049-91	RES,CHIP	1K		5%	1/10W	R1260	1-216-065-91	RES,CHIP	4.7K		5%	1/10W
R1201	1-216-097-91	RES,CHIP	100K		5%	1/10W	R1261	1-216-057-00	METAL CHIP	2.2K		5%	1/10W
R1202	1-216-049-91	RES,CHIP	1K		5%	1/10W	R1262	1-216-057-00	METAL CHIP	2.2K		5%	1/10W

DIGITAL

DISPLAY

Ref. No.	Part No.	Description	Remarks
R1263	1-216-057-00	METAL CHIP	2.2K 5% 1/10W
R1264	1-216-057-00	METAL CHIP	2.2K 5% 1/10W
R1265	1-216-049-91	RES,CHIP	1K 5% 1/10W
R1266	1-216-049-91	RES,CHIP	1K 5% 1/10W
R1267	1-216-073-00	METAL CHIP	10K 5% 1/10W
R1268	1-216-073-00	METAL CHIP	10K 5% 1/10W
R1269	1-216-065-91	RES,CHIP	4.7K 5% 1/10W
R1270	1-216-025-91	RES,CHIP	100 5% 1/10W
R1271	1-216-073-00	METAL CHIP	10K 5% 1/10W
R1272	1-216-049-91	RES,CHIP	1K 5% 1/10W
R1273	1-216-073-00	METAL CHIP	10K 5% 1/10W
R1274	1-216-073-00	METAL CHIP	10K 5% 1/10W
R1275	1-216-025-91	RES,CHIP	100 5% 1/10W
R1276	1-216-025-91	RES,CHIP	100 5% 1/10W
R1277	1-216-025-91	RES,CHIP	100 5% 1/10W
R1278	1-216-025-91	RES,CHIP	100 5% 1/10W
R1279	1-216-025-91	RES,CHIP	100 5% 1/10W
R1280	1-216-025-91	RES,CHIP	100 5% 1/10W
R1281	1-216-295-91	SHORT	0
R1282	1-216-295-91	SHORT	0
R1283	1-216-295-91	SHORT	0
R1285	1-216-073-00	METAL CHIP	10K 5% 1/10W
R1286	1-216-025-91	RES,CHIP	100 5% 1/10W
R1287	1-216-097-91	RES,CHIP	100K 5% 1/10W
R1301	1-216-065-91	RES,CHIP	4.7K 5% 1/10W
R1302	1-216-065-91	RES,CHIP	4.7K 5% 1/10W
R1303	1-216-065-91	RES,CHIP	4.7K 5% 1/10W
R1304	1-216-025-91	RES,CHIP	100 5% 1/10W
R1305	1-216-025-91	RES,CHIP	100 5% 1/10W
R1306	1-216-041-00	METAL CHIP	470 5% 1/10W
R1307	1-216-065-91	RES,CHIP	4.7K 5% 1/10W
R1308	1-216-065-91	METAL CHIP	4.7K 5% 1/10W
R1309	1-216-025-91	RES,CHIP	100 5% 1/10W
R1310	1-216-121-91	RES,CHIP	1M 5% 1/10W
R1311	1-216-065-91	METAL CHIP	4.7K 5% 1/10W
R1312	1-216-025-91	RES,CHIP	100 5% 1/10W
R1313	1-216-065-91	METAL CHIP	4.7K 5% 1/10W
R1314	1-216-295-91	SHORT	0
R1315	1-216-295-91	SHORT	0
R1316	1-216-295-91	SHORT	0
R1317	1-216-295-91	SHORT	0
R1318	1-216-295-91	SHORT	0
△R1319	1-215-884-11	METAL OXIDE	47 5% 2W F
R1320	1-216-061-00	METAL CHIP	3.3K 5% 1/10W
R1321	1-216-061-00	METAL CHIP	3.3K 5% 1/10W
R1322	1-216-061-00	METAL CHIP	3.3K 5% 1/10W
R1323	1-216-061-00	METAL CHIP	3.3K 5% 1/10W
R1324	1-216-061-00	METAL CHIP	3.3K 5% 1/10W
R1325	1-216-061-00	METAL CHIP	3.3K 5% 1/10W
R1326	1-216-061-00	METAL CHIP	3.3K 5% 1/10W
R1327	1-216-061-00	METAL CHIP	3.3K 5% 1/10W
R1328	1-216-061-00	METAL CHIP	3.3K 5% 1/10W
R1329	1-216-061-00	METAL CHIP	3.3K 5% 1/10W
R1330	1-216-061-00	METAL CHIP	3.3K 5% 1/10W
R1401	1-216-025-91	RES,CHIP	100 5% 1/10W
R1402	1-216-025-91	RES,CHIP	100 5% 1/10W
R1403	1-216-025-91	RES,CHIP	100 5% 1/10W
R1404	1-216-097-91	RES,CHIP	100K 5% 1/10W
R1405	1-216-025-91	RES,CHIP	100 5% 1/10W
R1406	1-216-073-00	METAL CHIP	10K 5% 1/10W

Ref. No.	Part No.	Description	Remarks
R1407	1-216-295-91	SHORT	0
R1408	1-216-025-91	RES,CHIP	100 5% 1/10W
R1409	1-216-025-91	RES,CHIP	100 5% 1/10W
R1410	1-216-295-91	SHORT	0
< VIBRATOR >			
X1101	1-567-970-11	VIBRATOR, CRYSTAL 24.576MHz	
X1201	1-577-082-11	VIBRATOR, CERAMIC 4MHz	
X1301	1-767-949-21	VIBRATOR, CERAMIC 49.152MHz	

*	A-4414-122-A	DISPLAY BOARD, COMPLETE (US,CND)	

*	A-4414-136-A	DISPLAY BOARD, COMPLETE (MY,SP)	

*	A-4414-132-A	DISPLAY BOARD, COMPLETE (AUS)	

*	A-4414-140-A	DISPLAY BOARD, COMPLETE (CH)	

(including L.B BOARD)			
*	4-921-941-01	CUSHION (FL)	
*	4-990-797-01	HOLDER (FL)	
< CAPACITOR >			
C101	1-104-664-11	ELECT	47uF 20% 16V
C104	1-126-964-11	ELECT	10uF 20% 50V
C105	1-104-905-11	CAPACITOR	0.22F 5.5V
C106	1-164-159-11	CERAMIC	0.1uF 50V
C107	1-164-159-11	CERAMIC	0.1uF 50V
C108	1-164-159-11	CERAMIC	0.1uF 50V
C109	1-164-159-11	CERAMIC	0.1uF 50V
C110	1-164-159-11	CERAMIC	0.1uF 50V
C111	1-164-159-11	CERAMIC	0.1uF 50V
C112	1-164-159-11	CERAMIC	0.1uF 50V
C113	1-164-159-11	CERAMIC	0.1uF 50V
C117	1-164-159-11	CERAMIC	0.1uF 50V
C118	1-164-159-11	CERAMIC	0.1uF 50V
C119	1-104-664-11	ELECT	47uF 20% 16V
C120	1-164-159-11	CERAMIC	0.1uF 50V
C121	1-104-664-11	ELECT	47uF 20% 16V
C122	1-164-159-11	CERAMIC	0.1uF 50V
C123	1-164-159-11	CERAMIC	0.1uF 50V
C124	1-162-294-31	CERAMIC	0.001uF 10% 50V
C180	1-164-159-11	CERAMIC	0.1uF 50V
C181	1-136-177-00	CERAMIC	1uF 5% 50V
C182	1-164-159-11	CERAMIC	0.1uF 50V
C183	1-126-916-11	ELECT	1000uF 20% 6.3V
C184	1-126-964-11	ELECT	10uF 20% 50V
C185	1-162-306-11	CERAMIC	0.01uF 20% 16V
C186	1-162-306-11	CERAMIC	0.01uF 20% 16V
CC20	1-164-159-11	CERAMIC	0.1uF 50V
< CONNECTOR >			
CNP105	1-564-510-11	PLUG, CONNECTOR 7P	
CNP106	1-784-919-11	CONNECTOR, PC BOARD (PLUG) 5P	
CNP113	1-779-366-11	CONNECTOR, BOARD TO BOARD 4P	
CNP114	1-779-366-11	CONNECTOR, BOARD TO BOARD 4P	
CNP115	1-779-366-11	CONNECTOR, BOARD TO BOARD 4P	

The components identified by mark △ or dotted line with mark △ are critical for safety. Replace only with part number specified.	Les composants identifiés par une marque △ sont critiques pour la sécurité. Ne les remplacer que par une pièce portant le numéro spécifié.
--	--

Ref. No.	Part No.	Description	Remarks	Ref. No.	Part No.	Description	Remarks
CNP116	1-779-366-11	CONNECTOR, BOARD TO BOARD 4P		Q181	8-729-900-36	TRANSISTOR DTC124ES	
CNS103	1-784-772-11	CONNECTOR, FFC 11P (MY,SP,AUS,CH)		Q182	8-729-620-05	TRANSISTOR 2SC2603-EF	
CNS103	1-784-776-11	CONNECTOR, FFC 15P (US,CND)		Q183	8-729-801-93	TRANSISTOR 2SD1387	
CNS104	1-784-743-11	CONNECTOR, FFC 21P		Q184	8-729-801-93	TRANSISTOR 2SD1387	
CNS107	1-770-397-11	HOUSING, CONNECTOR(PC BOARD)4P					
		< DIODE >					
D101	8-719-313-45	DIODE SEL6810A-TH10		R101	1-249-411-11	CARBON 330 5%	1/4W
D102	8-719-024-99	DIODE 11ES2-NTA2B		R102	1-249-411-11	CARBON 330 5%	1/4W
D103	8-719-911-19	DIODE 1SS119		R103	1-249-437-11	CARBON 47K 5%	1/4W
D104	8-719-046-39	DIODE SEL5821A-TH15		R104	1-247-772-00	CARBON 3.6 5%	1/4W
D105	8-719-046-39	DIODE SEL5821A-TH15		R105	1-249-393-11	CARBON 10 5%	1/4W F
D106	8-719-046-39	DIODE SEL5821A-TH15		R106	1-249-437-11	CARBON 47K 5%	1/4W
D108	8-719-046-39	DIODE SEL5821A-TH15		R107	1-249-433-11	CARBON 22K 5%	1/4W
D119	8-719-046-39	DIODE SEL5821A-TH15		R110	1-249-419-11	CARBON 1.5K 5%	1/4W F
D122	8-719-046-39	DIODE SEL5821A-TH15		R111	1-247-807-31	CARBON 100 5%	1/4W
D180	8-719-911-19	DIODE 1SS119		R112	1-247-807-31	CARBON 100 5%	1/4W
D181	8-719-911-19	DIODE 1SS119		R113	1-247-807-31	CARBON 100 5%	1/4W
D182	8-719-911-19	DIODE 1SS119		R114	1-247-807-31	CARBON 100 5%	1/4W
D183	8-719-911-19	DIODE 1SS119		△R115	1-249-385-11	CARBON 2.2 5%	1/6W F
D184	8-719-059-14	DIODE SID313BP-TP19		R116	1-249-429-11	CARBON 10K 5%	1/4W
D185	8-719-059-14	DIODE SID313BP-TP19		R117	1-249-433-11	CARBON 22K 5%	1/4W
D186	8-719-059-14	DIODE SID313BP-TP19		R118	1-249-433-11	CARBON 22K 5%	1/4W
		< FILTER >		R119	1-249-417-11	CARBON 1K 5%	1/4W F
FL101	1-517-781-11	INDICATOR TUBE, FLUORESCENT		R120	1-249-417-11	CARBON 1K 5%	1/4W F
		< IC >		R121	1-249-417-11	CARBON 1K 5%	1/4W F
IC101	8-759-459-83	IC NJL55H400A (REMOTE SENSOR)		R122	1-249-429-11	CARBON 10K 5%	1/4W
IC102	8-759-535-50	IC MB90553PF-G-121-BND		R123	1-249-417-11	CARBON 1K 5%	1/4W F
IC103	8-759-962-08	IC BA6208		R124	1-249-411-11	CARBON 330 5%	1/4W
IC104	8-759-463-11	IC MSC1162AGS-BK		R125	1-249-425-11	CARBON 4.7K 5%	1/4W F
IC105	8-759-389-51	IC MSC1164GS-KR1		R126	1-249-425-11	CARBON 4.7K 5%	1/4W F
IC180	8-759-927-72	IC TL1591CP		R127	1-249-425-11	CARBON 4.7K 5%	1/4W F
IC181	8-759-545-07	IC TMP87C447U-4A06		R128	1-249-425-11	CARBON 4.7K 5%	1/4W F
		< COIL >		R129	1-249-417-11	CARBON 1K 5%	1/4W F
L101	1-410-509-11	INDUCTOR 10uH		R130	1-249-425-11	CARBON 4.7K 5%	1/4W F
L150	1-408-080-00	INDUCTOR 100uH		R131	1-249-425-11	CARBON 4.7K 5%	1/4W F
		< TRANSISTOR >		R132	1-249-425-11	CARBON 4.7K 5%	1/4W F
Q101	8-729-119-76	TRANSISTOR 2SA1175-HFE		R133	1-249-411-11	CARBON 330 5%	1/4W
Q102	8-729-900-36	TRANSISTOR DTC124ES		R134	1-249-411-11	CARBON 330 5%	1/4W
Q103	8-729-900-36	TRANSISTOR DTC124ES		R135	1-249-411-11	CARBON 330 5%	1/4W
Q104	8-729-900-36	TRANSISTOR DTC124ES		△R161	1-249-385-11	CARBON 2.2 5%	1/6W F
Q105	8-729-900-36	TRANSISTOR DTC124ES		R162	1-249-421-11	CARBON 2.2K 5%	1/4W F
Q106	8-729-900-36	TRANSISTOR DTC124ES		R163	1-249-421-11	CARBON 2.2K 5%	1/4W F
Q107	8-729-900-36	TRANSISTOR DTC124ES		R164	1-249-411-11	CARBON 330 5%	1/4W
Q108	8-729-900-36	TRANSISTOR DTC124ES		R165	1-249-429-11	CARBON 10K 5%	1/4W
Q109	8-729-900-36	TRANSISTOR DTC124ES		R166	1-249-411-11	CARBON 330 5%	1/4W
Q110	8-729-900-36	TRANSISTOR DTC124ES		R167	1-249-413-11	CARBON 470 5%	1/4W F
Q112	8-729-900-36	TRANSISTOR DTC124ES		R168	1-249-415-11	CARBON 680 5%	1/4W F
Q113	8-729-900-36	TRANSISTOR DTC124ES		R169	1-249-417-11	CARBON 1K 5%	1/4W F
Q114	8-729-900-36	TRANSISTOR DTC124ES		R170	1-249-419-11	CARBON 1.5K 5%	1/4W F
Q116	8-729-900-36	TRANSISTOR DTC124ES		R171	1-249-425-11	CARBON 4.7K 5%	1/4W F
Q117	8-729-900-36	TRANSISTOR DTC124ES		R172	1-249-421-11	CARBON 2.2K 5%	1/4W F
Q118	8-729-900-36	TRANSISTOR DTC124ES		R175	1-249-415-11	CARBON 680 5%	1/4W F
Q119	8-729-900-36	TRANSISTOR DTC124ES		R176	1-249-413-11	CARBON 470 5%	1/4W F
Q120	8-729-900-36	TRANSISTOR DTC124ES		R177	1-249-411-11	CARBON 330 5%	1/4W
Q122	8-729-900-36	TRANSISTOR DTC124ES		R178	1-249-417-11	CARBON 1K 5%	1/4W F
Q180	8-729-620-05	TRANSISTOR 2SC2603-EF		R179	1-249-411-11	CARBON 330 5%	1/4W

The components identified by mark △ or dotted line with mark △ are critical for safety. Replace only with part number specified.	Les composants identifiés par une marque △ sont critiques pour la sécurité. Ne les remplacer que par une pièce portant le numéro spécifié.
--	--

DISPLAY	H.P	INPUT
----------------	------------	--------------

Ref. No.	Part No.	Description	Remarks
R180	1-249-393-11	CARBON 10 5%	1/4W F
R181	1-249-429-11	CARBON 10K 5%	1/4W
R182	1-249-425-11	CARBON 4.7K 5%	1/4W F
R183	1-249-429-11	CARBON 10K 5%	1/4W
R184	1-249-429-11	CARBON 10K 5%	1/4W
R185	1-249-425-11	CARBON 4.7K 5%	1/4W F
R186	1-249-429-11	CARBON 10K 5%	1/4W
R187	1-249-383-11	CARBON 1.5 5%	1/6W F
R188	1-249-429-11	CARBON 10K 5%	1/4W
R189	1-247-772-00	CARBON 3.6 5%	1/4W
R190	1-249-441-11	CARBON 100K 5%	1/4W
R191	1-247-807-31	CARBON 100 5%	1/4W
R192	1-249-383-11	CARBON 1.5 5%	1/6W F
R193	1-247-807-31	CARBON 100 5%	1/4W
R194	1-247-807-31	CARBON 100 5%	1/4W
R195	1-247-807-31	CARBON 100 5%	1/4W
R196	1-247-807-31	CARBON 100 5%	1/4W
R197	1-249-441-11	CARBON 100K 5%	1/4W
R198	1-249-429-11	CARBON 10K 5%	1/4W
R199	1-249-429-11	CARBON 10K 5%	1/4W
RR10	1-249-425-11	CARBON 4.7K 5%	1/4W F
RR11	1-249-411-11	CARBON 330 5%	1/4W (MY,SP,CH)
RR12	1-249-413-11	CARBON 470 5%	1/4W F (MY,SP,CH)
RR13	1-249-415-11	CARBON 680 5%	1/4W F (CH)
RR20	1-249-425-11	CARBON 4.7K 5%	1/4W F
RRR1	1-249-417-11	CARBON 1K 5%	1/4W F
RRR4	1-249-417-11	CARBON 1K 5%	1/4W F (MY,SPAUS,CH)
< SWITCH >			
S102	1-762-750-11	SWITCH, TACTILE (MUTING)	
S131	1-762-750-11	SWITCH, TACTILE (POWER)	
S132	1-762-750-11	SWITCH, TACTILE (DISP)	
S133	1-762-750-11	SWITCH, TACTILE (PRE+)	
S135	1-762-750-11	SWITCH, TACTILE (LEFT)	
S136	1-762-750-11	SWITCH, TACTILE (UP)	
S137	1-762-750-11	SWITCH, TACTILE (RIGHT)	
S138	1-762-750-11	SWITCH, TACTILE (FM/AM)	
S139	1-762-750-11	SWITCH, TACTILE (FM MODE)	
S142	1-762-750-11	SWITCH, TACTILE (MEMORY)	
S143	1-762-750-11	SWITCH, TACTILE (SLEEP)	
S144	1-762-750-11	SWITCH, TACTILE (TUN+)	
S145	1-762-750-11	SWITCH, TACTILE (TUN-)	
S146	1-762-750-11	SWITCH, TACTILE (PRE-)	
S147	1-762-750-11	SWITCH, TACTILE (DOWN)	
< VIBRATOR >			
X101	1-577-082-11	VIBRATOR, CERAMIC 4MHz	
X180	1-767-938-21	VIBRATOR, CERAMIC 7.28MHz	

*	1-670-006-11	H.P BOARD	*****
< JACK >			
J701	1-568-519-41	JACK, LARGE TYPE (PHONES)	

Ref. No.	Part No.	Description	Remarks
*	A-4414-121-A	INPUT BOARD, COMPLETE (US,CND,AUS)	*****
*	A-4414-135-A	INPUT BOARD, COMPLETE (MY,SP)	*****
*	A-4414-139-A	INPUT BOARD, COMPLETE (CH)	*****
7-685-872-09	SCREW +BVTT 3X8 (S)		
< CAPACITOR >			
C301	1-126-045-11	ELECT 2.2uF 20%	50V
C303	1-126-101-11	ELECT 100uF 20%	16V
C304	1-125-896-91	MYLAR 0.0091uF 5%	50V
C305	1-136-159-00	FILM 0.033uF 5%	50V
C306	1-126-045-11	ELECT 2.2uF 20%	50V
C307	1-162-282-31	CERAMIC 100PF 10%	50V
C308	1-162-286-31	CERAMIC 220PF 10%	50V
C310	1-162-294-31	CERAMIC 0.001uF 10%	50V
C311	1-126-233-11	ELECT 22uF 20%	50V
C351	1-126-045-11	ELECT 2.2uF 20%	50V
C353	1-126-101-11	ELECT 100uF 20%	16V
C354	1-125-896-91	MYLAR 0.0091uF 5%	50V
C355	1-136-159-00	FILM 0.033uF 5%	50V
C356	1-126-045-11	ELECT 2.2uF 20%	50V
C357	1-162-282-31	CERAMIC 100PF 10%	50V
C358	1-162-286-31	CERAMIC 220PF 10%	50V
C360	1-162-294-31	CERAMIC 0.001uF 10%	50V
C361	1-126-233-11	ELECT 22uF 20%	50V
C388	1-126-052-11	ELECT 100uF 20%	16V
C389	1-126-052-11	ELECT 100uF 20%	16V
C392	1-126-022-11	ELECT 47uF 20%	16V
C393	1-162-294-31	CERAMIC 0.001uF 10%	50V
C394	1-126-022-11	ELECT 47uF 20%	16V
C395	1-162-282-31	CERAMIC 100PF 10%	50V
C401	1-126-233-11	ELECT 22uF 20%	50V
C402	1-126-233-11	ELECT 22uF 20%	50V
C403	1-126-233-11	ELECT 22uF 20%	50V
C404	1-162-199-31	CERAMIC 10PF 5%	50V
C405	1-162-199-31	CERAMIC 10PF 5%	50V
C406	1-162-199-31	CERAMIC 10PF 5%	50V
C407	1-126-233-11	ELECT 22uF 20%	50V
C408	1-126-233-11	ELECT 22uF 20%	50V
C409	1-126-233-11	ELECT 22uF 20%	50V
C416	1-126-233-11	ELECT 22uF 20%	50V
C417	1-126-233-11	ELECT 22uF 20%	50V
C418	1-126-233-11	ELECT 22uF 20%	50V
C419	1-162-282-31	CERAMIC 100PF 10%	50V
C451	1-126-233-11	ELECT 22uF 20%	50V
C452	1-126-233-11	ELECT 22uF 20%	50V
C453	1-126-233-11	ELECT 22uF 20%	50V
C454	1-162-199-31	CERAMIC 10PF 5%	50V
C455	1-162-199-31	CERAMIC 10PF 5%	50V
C456	1-162-199-31	CERAMIC 10PF 5%	50V
C457	1-126-233-11	ELECT 22uF 20%	50V
C458	1-126-233-11	ELECT 22uF 20%	50V
C459	1-126-233-11	ELECT 22uF 20%	50V
C466	1-126-233-11	ELECT 22uF 20%	50V
C467	1-126-233-11	ELECT 22uF 20%	50V
C468	1-126-233-11	ELECT 22uF 20%	50V
C491	1-164-159-11	CERAMIC 0.1uF	50V

Ref. No.	Part No.	Description	Remarks	Ref. No.	Part No.	Description	Remarks
C496	1-126-052-11	ELECT	100uF 20% 16V			< DIODE >	
C497	1-126-052-11	ELECT	100uF 20% 16V				
C498	1-126-022-11	ELECT	47uF 20% 16V				
C499	1-126-022-11	ELECT	47uF 20% 16V	D301	8-719-911-19	DIODE 1SS119	
C501	1-126-233-11	ELECT	22uF 20% 50V			< IC >	
C502	1-162-282-31	CERAMIC	100PF 10% 50V	IC301	8-759-805-14	IC LC7822	
C503	1-102-233-00	CERAMIC	33PF 10% 500V	IC302	8-759-636-74	IC M5218AP-22	
C504	1-102-230-00	CERAMIC	4PF 0.25PF 500V	IC304	8-759-634-50	IC M5218AL	
C505	1-126-101-11	ELECT	100uF 20% 16V	IC401	8-759-604-40	IC M5F78M15	
C539	1-162-282-31	CERAMIC	100PF 10% 50V	IC402	8-759-604-46	IC M5F79M15	
C551	1-126-233-11	ELECT	22uF 20% 50V	IC403	8-759-604-39	IC M5F78M12	
C552	1-162-282-31	CERAMIC	100PF 10% 50V	IC404	8-759-708-05	IC NJM78L05A	
C553	1-102-233-00	CERAMIC	33PF 10% 500V	IC405	8-759-634-50	IC M5218AL	
C554	1-102-230-00	CERAMIC	4PF 0.25PF 500V	IC406	8-759-634-50	IC M5218AL	
C555	1-126-101-11	ELECT	100uF 20% 16V	IC407	8-759-634-50	IC M5218AL	
C580	1-162-282-31	CERAMIC	100PF 10% 50V	IC414	8-759-534-63	IC TC9299P	
C589	1-162-282-31	CERAMIC	100PF 10% 50V	IC415	8-759-534-63	IC TC9299P	
C593	1-126-101-11	ELECT	100uF 20% 16V	IC416	8-759-534-63	IC TC9299P	
C594	1-126-074-91	ELECT	22uF 20% 100V	IC501	8-759-326-52	IC uPC2581V	
C595	1-126-074-91	ELECT	22uF 20% 100V	IC601	8-759-326-52	IC uPC2581V	
C601	1-126-233-11	ELECT	22uF 20% 50V	IC701	8-759-326-52	IC uPC2581V	
C602	1-162-282-31	CERAMIC	100PF 10% 50V			< JACK >	
C603	1-102-233-00	CERAMIC	33PF 10% 500V	J301	1-784-429-11	JACK, PIN 4P (PHONO/CD)	
C604	1-102-230-00	CERAMIC	4PF 0.25PF 500V	J302	1-784-429-11	JACK, PIN 4P (MD/DAT)	
C605	1-126-101-11	ELECT	100uF 20% 16V			< TRANSISTOR >	
C639	1-162-282-31	CERAMIC	100PF 10% 50V				
C651	1-126-233-11	ELECT	22uF 20% 50V	Q301	8-729-119-79	TRANSISTOR 2SC2785-FEK	
C652	1-162-282-31	CERAMIC	100PF 10% 50V	Q302	8-729-141-30	TRANSISTOR 2SC3623A-LK	
C653	1-102-233-00	CERAMIC	33PF 10% 500V	Q303	8-729-141-30	TRANSISTOR 2SC3623A-LK	
C654	1-102-230-00	CERAMIC	4PF 0.25PF 500V	Q304	8-729-141-30	TRANSISTOR 2SC3623A-LK	
C655	1-126-101-11	ELECT	100uF 20% 16V	Q352	8-729-141-30	TRANSISTOR 2SC3623A-LK	
C689	1-162-282-31	CERAMIC	100PF 10% 50V	Q353	8-729-141-30	TRANSISTOR 2SC3623A-LK	
C701	1-126-233-11	ELECT	22uF 20% 50V	Q354	8-729-141-30	TRANSISTOR 2SC3623A-LK	
C702	1-162-282-31	CERAMIC	100PF 10% 50V	Q501	8-729-900-36	TRANSISTOR DTC124ES	
C703	1-102-233-00	CERAMIC	33PF 10% 500V	Q503	8-729-900-63	TRANSISTOR DTA124ES	
C704	1-102-230-00	CERAMIC	4PF 0.25PF 500V	Q614	8-729-201-53	TRANSISTOR 2SA1015-GR	
C705	1-126-101-11	ELECT	100uF 20% 16V			< RESISTOR >	
C739	1-162-282-31	CERAMIC	100PF 10% 50V	R301	1-249-401-11	CARBON 47 5% 1/4W F	
C751	1-126-233-11	ELECT	22uF 20% 50V	R302	1-249-441-11	CARBON 100K 5% 1/4W	
C752	1-162-282-31	CERAMIC	100PF 10% 50V	R303	1-249-440-11	CARBON 82K 5% 1/4W	
C753	1-102-233-00	CERAMIC	33PF 10% 500V	R304	1-249-408-11	CARBON 180 5% 1/4W F	
C754	1-102-230-00	CERAMIC	4PF 0.25PF 500V	R305	1-249-428-11	CARBON 8.2K 5% 1/4W F	
C755	1-126-101-11	ELECT	100uF 20% 16V	R306	1-249-441-11	CARBON 100K 5% 1/4W	
C780	1-162-282-31	CERAMIC	100PF 10% 50V	R307	1-247-807-31	CARBON 100 5% 1/4W	
C789	1-162-282-31	CERAMIC	100PF 10% 50V	R308	1-249-441-11	CARBON 100K 5% 1/4W	
CC04	1-162-282-31	CERAMIC	100PF 10% 50V	R309	1-249-413-11	CARBON 470 5% 1/4W F	
CC05	1-162-282-31	CERAMIC	100PF 10% 50V	R310	1-249-417-11	CARBON 1K 5% 1/4W F	
CC06	1-162-282-31	CERAMIC	100PF 10% 50V	R311	1-249-417-11	CARBON 1K 5% 1/4W F	
CC54	1-162-282-31	CERAMIC	100PF 10% 50V	R312	1-249-417-11	CARBON 1K 5% 1/4W F	
CC55	1-162-282-31	CERAMIC	100PF 10% 50V	R315	1-249-437-11	CARBON 47K 5% 1/4W	
CC56	1-162-282-31	CERAMIC	100PF 10% 50V	R335	1-249-437-11	CARBON 47K 5% 1/4W	
		< CONNECOR >		R336	1-249-425-11	CARBON 4.7K 5% 1/4W F	
CNS301	1-784-768-11	CONNECTOR, FFC 7P		R331	1-249-441-11	CARBON 100K 5% 1/4W F	
CNS306	1-784-790-11	CONNECTOR, FFC 29P		R337	1-249-441-11	CARBON 100K 5% 1/4W	
CNS403	1-691-765-11	PLUG (MICRO CONNECTOR) 3P		R338	1-249-417-11	CARBON 1K 5% 1/4W F	
CNS404	1-691-765-11	PLUG (MICRO CONNECTOR) 3P		R339	1-249-417-11	CARBON 1K 5% 1/4W F	
CNS501	1-784-806-11	HOUSING,CONNECTOR(PC BOARD)13P		R340	1-249-417-11	CARBON 1K 5% 1/4W F	
CNS702	1-779-977-11	PIN, CONNECTOR 6P					

Ref. No.	Part No.	Description	Remarks
		< CONNECTOR >	
* CNP701	1-564-241-11	PIN, CONNECTOR (B4P-VH) 4P	
CNP711	1-779-977-11	PIN, CONNECTOR 6P	
* CNP712	1-564-242-00	PIN, CONNECTOR 5P	
CNP713	1-691-765-11	PLUG (MICRO CONNECTOR) 3P	
		< DIODE >	
D701	8-719-911-19	DIODE 1SS119	
D702	8-719-109-51	DIODE RD2.0ES-B2	
D703	8-719-109-51	DIODE RD2.0ES-B2	
D704	8-719-911-19	DIODE 1SS119	
D751	8-719-911-19	DIODE 1SS119	
D752	8-719-109-51	DIODE RD2.0ES-B2	
D753	8-719-109-51	DIODE RD2.0ES-B2	
D754	8-719-911-19	DIODE 1SS119	
		< TRANSISTOR >	
Q704	8-729-119-76	TRANSISTOR 2SA1175-HFE	
Q708	8-729-140-82	TRANSISTOR 2SA988-PAFAEA	
Q754	8-729-119-76	TRANSISTOR 2SA1175-HFE	
Q758	8-729-140-82	TRANSISTOR 2SA988-PAFAEA	
		< RESISTOR >	
R702	1-247-881-00	CARBON 120K 5%	1/4W
R721	1-249-433-11	CARBON 22K 5%	1/4W
R722	1-249-422-11	CARBON 2.7K 5%	1/4W F
R723	1-249-414-11	CARBON 560 5%	1/4W F
△R724	1-249-408-11	CARBON 180 5%	1/4W F
△R725	1-249-408-11	CARBON 180 5%	1/4W F
△R726	1-233-352-41	ENCAPSULATED COMPONENT	
R727	1-247-850-11	CARBON 6.2K 5%	1/4W
R728	1-249-419-11	CARBON 1.5K 5%	1/4W F
R732	1-249-437-11	CARBON 47K 5%	1/4W
△R733	1-249-393-11	CARBON 10 5%	1/4W F
R752	1-247-881-00	CARBON 120K 5%	1/4W
R771	1-249-433-11	CARBON 22K 5%	1/4W
R772	1-249-422-11	CARBON 2.7K 5%	1/4W F
R773	1-249-414-11	CARBON 560 5%	1/4W F
△R774	1-249-408-11	CARBON 180 5%	1/4W F
△R775	1-249-408-11	CARBON 180 5%	1/4W F
△R776	1-233-352-41	ENCAPSULATED COMPONENT	
R777	1-247-850-11	CARBON 6.2K 5%	1/4W
R778	1-249-419-11	CARBON 1.5K 5%	1/4W F
R782	1-249-437-11	CARBON 47K 5%	1/4W
△R783	1-249-393-11	CARBON 10 5%	1/4W F

* A-4414-109-A	REG BOARD, COMPLETE		

1-533-217-31	HOLDER, FUSE		
		< CAPACITOR >	
C819	1-136-165-00	FILM 0.1uF 5%	50V
C820	1-136-165-00	FILM 0.1uF 5%	50V
C821	1-136-165-00	FILM 0.1uF 5%	50V
C822	1-136-165-00	FILM 0.1uF 5%	50V
C823	1-136-165-00	FILM 0.1uF 5%	50V

Ref. No.	Part No.	Description	Remarks
C824	1-126-937-11	ELECT 4700uF 20%	16V
C825	1-126-935-11	ELECT 470uF 20%	16V
C826	1-126-935-11	ELECT 470uF 20%	16V
C827	1-126-935-11	ELECT 470uF 20%	16V
C901	1-164-097-11	CERAMIC 0.022uF	50V
C902	1-164-097-11	CERAMIC 0.022uF	50V
C903	1-126-768-11	ELECT 2200uF 20%	16V
C904	1-126-960-11	ELECT 1uF 20%	50V
C905	1-126-959-11	ELECT 0.47uF 20%	50V
C906	1-124-464-11	ELECT 0.22uF 20%	50V
C911	1-164-159-11	CERAMIC 0.1uF	50V
C914	1-164-159-11	CERAMIC 0.1uF	50V
C916	1-164-159-11	CERAMIC 0.1uF	50V
C917	1-164-159-11	CERAMIC 0.1uF	50V
		< CONNECTOR >	
CNP803	1-564-320-00	PIN, CONNECTOR (B2P-VH) 2P	
CNP809	1-779-977-11	PIN, CONNECTOR 6P	
		< DIODE >	
D808	8-719-025-03	DIODE RBA-402-SL	
D901	8-719-024-99	DIODE 11ES2-NTA2B	
D902	8-719-024-99	DIODE 11ES2-NTA2B	
D903	8-719-024-99	DIODE 11ES2-NTA2B	
D904	8-719-024-99	DIODE 11ES2-NTA2B	
D905	8-719-911-19	DIODE 1SS119	
D906	8-719-911-19	DIODE 1SS119	
		< EARTH >	
* EB901	1-537-738-21	TERMINAL, EARTH	
		< FUSE >	
△F805	1-532-504-51	FUSE TIME LGA 4A (MY,SP,AUS,CH)	
△F805	1-533-419-11	FUSE, GLASS CYLINDRICAL (DIA.5)4A(US,CND)	
		< IC >	
IC801	8-759-231-53	IC TA7805S	
IC802	8-759-445-59	IC BA033T	
IC803	8-759-445-59	IC BA033T	
IC901	8-759-333-83	IC NJM2103D	
		< TRANSISTOR >	
Q901	8-729-119-79	TRANSISTOR 2SC2785-FEK	
Q902	8-729-026-68	TRANSISTOR 2SD2525(TP)	
		< RESISTOR >	
R902	1-249-429-11	CARBON 10K 5%	1/4W
R903	1-249-425-11	CARBON 4.7K 5%	1/4W F
R904	1-249-417-11	CARBON 1K 5%	1/4W F
R905	1-249-428-11	CARBON 8.2K 5%	1/4W F
R906	1-249-421-11	CARBON 2.2K 5%	1/4W F
R908	1-249-433-11	CARBON 22K 5%	1/4W
R909	1-249-439-11	CARBON 68K 5%	1/4W
R910	1-249-437-11	CARBON 47K 5%	1/4W
R912	1-249-430-11	CARBON 12K 5%	1/4W

The components identified by mark △ or dotted line with mark △ are critical for safety. Replace only with part number specified.	Les composants identifiés par une marque △ sont critiques pour la sécurité. Ne les remplacer que par une pièce portant le numéro spécifié.
--	--

S-LINK	S-VIDEO	SP
---------------	----------------	-----------

Ref. No.	Part No.	Description	Remarks
*	1-670-013-11	S-LINK BOARD (US,CND) *****	
		< CAPACITOR >	
C268	1-126-964-11	ELECT 10uF 20%	50V
C269	1-162-294-31	CERAMIC 0.001uF 10%	50V
C270	1-162-294-31	CERAMIC 0.001uF 10%	50V
C271	1-162-294-31	CERAMIC 0.001uF 10%	50V
C272	1-162-294-31	CERAMIC 0.001uF 10%	50V
		< CONNECTOR >	
CNS251	1-784-768-11	CONNECTOR, FFC 7P	
		< IC >	
IC251	8-759-388-26	IC NJM2129D	
IC254	8-759-135-80	IC UPC358C	
		< JACK >	
J255	1-563-330-11	JACK (VIDEO 1)	
J256	1-563-330-11	JACK (VIDEO 2)	
J257	1-563-330-11	JACK (MONITOR)	
J258	1-563-330-11	JACK (TV/DBS)	
		< TRANSISTOR >	
Q251	8-729-119-76	TRANSISTOR 2SA1175-HFE	
Q252	8-729-119-76	TRANSISTOR 2SA1175-HFE	
Q253	8-729-119-76	TRANSISTOR 2SA1175-HFE	
Q254	8-729-119-79	TRANSISTOR 2SC2785-FEK	
Q255	8-729-119-79	TRANSISTOR 2SC2785-FEK	
Q256	8-729-119-76	TRANSISTOR 2SA1175-HFE	
Q257	8-729-119-76	TRANSISTOR 2SA1175-HFE	
Q258	8-729-119-79	TRANSISTOR 2SC2785-FEK	
		< RESISTOR >	
R261	1-247-843-11	CARBON 3.3K 5%	1/4W
R262	1-249-429-11	CARBON 10K 5%	1/4W
R263	1-249-429-11	CARBON 10K 5%	1/4W
R264	1-247-843-11	CARBON 3.3K 5%	1/4W
R265	1-249-417-11	CARBON 1K 5%	1/4W F
R266	1-249-417-11	CARBON 1K 5%	1/4W F
R267	1-249-417-11	CARBON 1K 5%	1/4W F
R268	1-249-437-11	CARBON 47K 5%	1/4W
R269	1-249-433-11	CARBON 22K 5%	1/4W
R270	1-249-427-11	CARBON 6.8K 5%	1/4W F
R271	1-249-417-11	CARBON 1K 5%	1/4W F
R272	1-249-417-11	CARBON 1K 5%	1/4W F
R273	1-249-414-11	CARBON 560 5%	1/4W F
R274	1-249-413-11	CARBON 470 5%	1/4W F
R275	1-249-417-11	CARBON 1K 5%	1/4W F
R276	1-249-417-11	CARBON 1K 5%	1/4W F
R277	1-249-413-11	CARBON 470 5%	1/4W F
R278	1-249-414-11	CARBON 560 5%	1/4W F

*	1-670-004-11	S-VIDEO BOARD (MY,SP,CH) *****	
---	--------------	-----------------------------------	--

Ref. No.	Part No.	Description	Remarks
		< CAPACITOR >	
C251	1-136-165-00	FILM 0.1uF 5%	50V
C252	1-136-165-00	FILM 0.1uF 5%	50V
C253	1-126-964-11	ELECT 10uF 20%	50V
C254	1-136-165-00	FILM 0.1uF 5%	50V
C255	1-136-165-00	FILM 0.1uF 5%	50V
C256	1-126-964-11	ELECT 10uF 20%	50V
C257	1-136-165-00	FILM 0.1uF 5%	50V
C258	1-126-964-11	ELECT 10uF 20%	50V
C259	1-126-964-11	ELECT 10uF 20%	50V
C260	1-136-165-00	FILM 0.1uF 5%	50V
C261	1-104-664-11	ELECT 47uF 20%	16V
C262	1-164-159-11	CERAMIC 0.1uF	50V
C263	1-164-159-11	CERAMIC 0.1uF	50V
C264	1-104-664-11	ELECT 47uF 20%	16V
C265	1-164-159-11	CERAMIC 0.1uF	50V
C266	1-164-159-11	CERAMIC 0.1uF	50V
C267	1-162-290-31	CERAMIC 470PF 10%	50V
C268	1-162-290-31	CERAMIC 470PF 10%	50V
C269	1-162-290-31	CERAMIC 470PF 10%	50V
C270	1-162-290-31	CERAMIC 470PF 10%	50V
		< CONNECTOR >	
CNS251	1-784-770-11	CONNECTOR, FFC 9P	
		< DIODE >	
D251	8-719-911-19	DIODE 1SS119	
D252	8-719-911-19	DIODE 1SS119	
		< IC >	
IC251	8-759-529-20	IC NJM2296D	
IC252	8-759-529-20	IC NJM2296D	
		< JACK >	
J251	1-537-943-11	TERMINAL, S (MONITOR)	
J252	1-764-676-11	CONNECTOR (ROUND TYPE) (VIDEO1)	
J253	1-764-676-11	CONNECTOR (ROUND TYPE) (TV/LD,DVD)	
		< RESISTOR >	
R251	1-247-804-11	CARBON 75 5%	1/4W
R252	1-249-429-11	CARBON 10K 5%	1/4W
R253	1-247-804-11	CARBON 75 5%	1/4W
R254	1-247-804-11	CARBON 75 5%	1/4W
R255	1-247-804-11	CARBON 75 5%	1/4W
R256	1-249-429-11	CARBON 10K 5%	1/4W
R257	1-247-804-11	CARBON 75 5%	1/4W
R258	1-247-804-11	CARBON 75 5%	1/4W
R259	1-247-804-11	CARBON 75 5%	1/4W
R260	1-247-804-11	CARBON 75 5%	1/4W
R261	1-247-804-11	CARBON 75 5%	1/4W
R262	1-247-804-11	CARBON 75 5%	1/4W

*	A-4414-124-A	SP BOARD, COMPLETE (US,CND,AUS) *****	
---	--------------	--	--

*	A-4414-090-A	SP BOARD, COMPLETE (MY,SP,CH) *****	
---	--------------	--	--

	7-685-872-09	SCREW +BVTT 3X8 (S)	
--	--------------	---------------------	--

SP

SP SW

SW

Ref. No.	Part No.	Description	Remarks
< CAPACITOR >			
C624	1-126-059-11	ELECT 10uF 20% 50V	
C626	1-136-153-00	FILM 0.01uF 5% 50V	
C724	1-126-059-11	ELECT 10uF 20% 50V	
C726	1-136-153-00	FILM 0.01uF 5% 50V	
C794	1-126-059-11	ELECT 10uF 20% 50V	
C795	1-126-941-11	ELECT 470uF 20% 25V	
CC41	1-162-290-31	CERAMIC 470PF 10% 50V	(MY,SP,CH)
CC42	1-162-290-31	CERAMIC 470PF 10% 50V	(MY,SP,CH)
CC43	1-162-290-31	CERAMIC 470PF 10% 50V	(MY,SP,CH)
< JACK >			
CNJ701	1-774-136-11	CONNECTOR, ROUND TYPE 6P (WIRELESS REAR SPEAKER)	
< CONNECTOR >			
CNP601	1-564-320-00	PIN, CONNECTOR (B2P-VH) 2P	
CNP602	1-784-922-11	PIN, CONNECTOR 5P	
CNP603	1-779-977-11	PIN, CONNECTOR 6P	
< DIODE >			
D543	8-719-911-19	DIODE 1SS119	
D605	8-719-911-19	DIODE 1SS119	
D606	8-719-911-19	DIODE 1SS119	
D607	8-719-911-19	DIODE 1SS119	
D649	8-719-911-19	DIODE 1SS119	
D705	8-719-911-19	DIODE 1SS119	
D706	8-719-911-19	DIODE 1SS119	
D749	8-719-911-19	DIODE 1SS119	
< IC >			
IC702	8-759-605-01	IC M5F78M18L	
< JACK >			
J501	1-770-157-21	JACK, PIN 2P (WOOFER)	
< COIL >			
L601	1-411-906-11	COIL, AIR-CORE (MY,SP,CH)	
L601	1-420-872-00	COIL, AIR-CORE (US,CND,AUS)	
L701	1-411-906-11	COIL, AIR-CORE (MY,SP,CH)	
L701	1-420-872-00	COIL, AIR-CORE (US,CND,AUS)	
L751	1-411-906-11	COIL, AIR-CORE (MY,SP,CH)	
L751	1-420-872-00	COIL, AIR-CORE (US,CND,AUS)	
< TRANSISTOR >			
Q544	8-729-119-79	TRANSISTOR 2SC2785-FEK	
Q609	8-729-281-53	TRANSISTOR 2SC1815-GR	
Q610	8-729-900-63	TRANSISTOR DTA124ES	
Q611	8-729-900-63	TRANSISTOR DTA124ES	
Q645	8-729-119-79	TRANSISTOR 2SC2785-FEK	
Q709	8-729-281-53	TRANSISTOR 2SC1815-GR	
Q710	8-729-900-63	TRANSISTOR DTA124ES	
Q745	8-729-119-79	TRANSISTOR 2SC2785-FEK	
Q747	8-729-620-05	TRANSISTOR 2SC2603-EF	
Q748	8-729-030-19	TRANSISTOR 2SB1640	

Ref. No.	Part No.	Description	Remarks
< RESISTOR >			
R543	1-249-429-11	CARBON 10K 5%	1/4W
R544	1-249-425-11	CARBON 4.7K 5%	1/4W F
△R545	1-249-411-11	CARBON 330 5%	1/4W
R629	1-247-866-11	CARBON 30K 5%	1/4W
R630	1-249-421-11	CARBON 2.2K 5%	1/4W F
R631	1-249-433-11	CARBON 22K 5%	1/4W
△R634	1-249-389-11	CARBON 4.7 5%	1/4W F
R635	1-249-431-11	CARBON 15K 5%	1/4W
R636	1-249-433-11	CARBON 22K 5%	1/4W
R647	1-249-429-11	CARBON 10K 5%	1/4W
R648	1-249-425-11	CARBON 4.7K 5%	1/4W F
△R649	1-249-407-11	CARBON 150 5%	1/4W F
R729	1-247-866-11	CARBON 30K 5%	1/4W
R730	1-249-421-11	CARBON 2.2K 5%	1/4W F
R731	1-249-433-11	CARBON 22K 5%	1/4W
△R734	1-249-389-11	CARBON 4.7 5%	1/4W F
R735	1-249-431-11	CARBON 15K 5%	1/4W
R737	1-249-429-11	CARBON 10K 5%	1/4W
R738	1-247-887-00	CARBON 220K 5%	1/4W
R743	1-249-425-11	CARBON 4.7K 5%	1/4W F
R744	1-249-425-11	CARBON 4.7K 5%	1/4W F
R745	1-249-421-11	CARBON 2.2K 5%	1/4W F
R746	1-249-421-11	CARBON 2.2K 5%	1/4W F
R747	1-249-429-11	CARBON 10K 5%	1/4W
R748	1-249-425-11	CARBON 4.7K 5%	1/4W F
△R749	1-249-407-11	CARBON 150 5%	1/4W F
△R784	1-249-389-11	CARBON 4.7 5%	1/4W F
R787	1-249-429-11	CARBON 10K 5%	1/4W
R788	1-247-887-00	CARBON 220K 5%	1/4W
< RELAY >			
RY503	1-515-793-11	RELAY	
RY601	1-515-920-11	RELAY (24V)	
RY701	1-515-920-11	RELAY (24V)	
< SWITCH >			
S501	1-692-196-11	SWITCH, SLIDE (IMPEDANCE SELECT)	
< TERMINAL >			
TM701	1-537-923-11	TERMINAL BOARD (SPEAKERS)(US,CND,AUS)	
TM701	1-694-431-21	TERMINAL BOARD (SPEAKERS)(MY,SP,CH)	

*	1-670-010-11	SP SW BOARD	*****
< DIODE >			
D120	8-719-911-19	DIODE 1SS119	
D121	8-719-911-19	DIODE 1SS119	
< RESISTOR >			
R173	1-249-421-11	CARBON 2.2K 5%	1/4W F
R174	1-249-419-11	CARBON 1.5K 5%	1/4W F

The components identified by mark △ or dotted line with mark △ are critical for safety. Replace only with part number specified.	Les composants identifiés par une marque △ sont critiques pour la sécurité. Ne les remplacer que par une pièce portant le numéro spécifié.
--	--

SW	TUNER	VIDEO
-----------	--------------	--------------

Ref. No.	Part No.	Description	Remarks
		< SWITCH >	
S134	1-762-268-11	SWITCH, ROTARY (SPEAKERS)	
S140	1-762-750-11	SWITCH, TACTILE (SET UP)	
S141	1-762-750-11	SWITCH, TACTILE (CURSOR)	

*	A-4414-123-A	SW BOARD, COMPLETE *****	
		< CAPACITOR >	
C114	1-164-159-11	CERAMIC 0.1uF	50V
C115	1-164-159-11	CERAMIC 0.1uF	50V
C116	1-164-159-11	CERAMIC 0.1uF	50V
		< CONNECTOR >	
CNS113	1-770-397-11	HOUSING, CONNECTOR(PC BOARD)4P	
CNS114	1-770-397-11	HOUSING, CONNECTOR(PC BOARD)4P	
CNS115	1-770-397-11	HOUSING, CONNECTOR(PC BOARD)4P	
CNS116	1-770-397-11	HOUSING, CONNECTOR(PC BOARD)4P	
		< DIODE >	
D109	8-719-046-39	DIODE SEL5821A-TH15	
D110	8-719-046-39	DIODE SEL5821A-TH15	
D112	8-719-046-39	DIODE SEL5821A-TH15	
D113	8-719-046-39	DIODE SEL5821A-TH15	
D114	8-719-046-39	DIODE SEL5821A-TH15	
D116	8-719-046-39	DIODE SEL5821A-TH15	
D117	8-719-046-39	DIODE SEL5821A-TH15	
D118	8-719-046-39	DIODE SEL5821A-TH15	
		< RESISTOR >	
R136	1-249-413-11	CARBON 470 5%	1/4W F
R137	1-249-411-11	CARBON 330 5%	1/4W
R138	1-249-411-11	CARBON 330 5%	1/4W
R139	1-249-411-11	CARBON 330 5%	1/4W
R140	1-249-415-11	CARBON 680 5%	1/4W F
R141	1-249-413-11	CARBON 470 5%	1/4W F
R142	1-249-413-11	CARBON 470 5%	1/4W F
R143	1-249-413-11	CARBON 470 5%	1/4W F
R144	1-249-417-11	CARBON 1K 5%	1/4W F
R145	1-249-415-11	CARBON 680 5%	1/4W F
R146	1-249-415-11	CARBON 680 5%	1/4W F
R147	1-249-415-11	CARBON 680 5%	1/4W F
R148	1-249-419-11	CARBON 1.5K 5%	1/4W F
R149	1-249-417-11	CARBON 1K 5%	1/4W F
R150	1-249-417-11	CARBON 1K 5%	1/4W F
R151	1-249-417-11	CARBON 1K 5%	1/4W F
R152	1-249-421-11	CARBON 2.2K 5%	1/4W F
R153	1-249-419-11	CARBON 1.5K 5%	1/4W F
R154	1-249-419-11	CARBON 1.5K 5%	1/4W F
R155	1-249-419-11	CARBON 1.5K 5%	1/4W F
R156	1-249-425-11	CARBON 4.7K 5%	1/4W F
R157	1-249-421-11	CARBON 2.2K 5%	1/4W F
R158	1-249-421-11	CARBON 2.2K 5%	1/4W F
R159	1-249-425-11	CARBON 4.7K 5%	1/4W F
R160	1-249-425-11	CARBON 4.7K 5%	1/4W F

Ref. No.	Part No.	Description	Remarks
		< SWITCH >	
S103	1-762-750-11	SWITCH, TACTILE (BOOST)	
S105	1-762-750-11	SWITCH, TACTILE (SHIFT)	
S106	1-762-750-11	SWITCH, TACTILE (DIRECT)	
S107	1-762-750-11	SWITCH, TACTILE (EQ ON/OFF)	
S108	1-762-750-11	SWITCH, TACTILE (DVD/LD)	
S109	1-762-750-11	SWITCH, TACTILE (6)	
S110	1-762-750-11	SWITCH, TACTILE (1)	
S111	1-762-750-11	SWITCH, TACTILE (INPUT)	
S112	1-762-750-11	SWITCH, TACTILE (TV/DBS)	
S113	1-762-750-11	SWITCH, TACTILE (7)	
S114	1-762-750-11	SWITCH, TACTILE (2)	
S115	1-762-750-11	SWITCH, TACTILE (GENRE)	
S116	1-762-750-11	SWITCH, TACTILE (PHONO)	
S117	1-762-750-11	SWITCH, TACTILE (8)	
S118	1-762-750-11	SWITCH, TACTILE (3)	
S119	1-762-750-11	SWITCH, TACTILE (SF MODE)	
S120	1-762-750-11	SWITCH, TACTILE (TUNER)	
S121	1-762-750-11	SWITCH, TACTILE (9)	
S122	1-762-750-11	SWITCH, TACTILE (4)	
S123	1-762-750-11	SWITCH, TACTILE (SF ON/OFF)	
S124	1-762-750-11	SWITCH, TACTILE (CD)	
S125	1-762-750-11	SWITCH, TACTILE (0)	
S126	1-762-750-11	SWITCH, TACTILE (5)	
S127	1-762-750-11	SWITCH, TACTILE (TAPE)	
S128	1-762-750-11	SWITCH, TACTILE (VIDEO 1)	
S130	1-762-750-11	SWITCH, TACTILE (VIDEO 2)	

*	1-670-000-11	TUNER BOARD *****	
		< CONNECTOR >	
CNS304	1-564-721-11	PIN, CONNECTOR (SMALL TYPE) 5P	
CNS305	1-774-289-11	PIN, CONNECTOR (PC BOARD) 15P	

*	1-670-003-11	VIDEO BOARD *****	
		< CAPACITOR >	
C201	1-126-964-11	ELECT 10uF	20% 50V
C202	1-126-964-11	ELECT 10uF	20% 50V
C203	1-126-964-11	ELECT 10uF	20% 50V
C204	1-126-964-11	ELECT 10uF	20% 50V
C205	1-162-215-31	CERAMIC 47PF	5% 50V
C206	1-162-215-31	CERAMIC 47PF	5% 50V
C207	1-162-215-31	CERAMIC 47PF	5% 50V
C209	1-164-159-11	CERAMIC 0.1uF	50V
C210	1-164-159-11	CERAMIC 0.1uF	50V
C211	1-164-159-11	CERAMIC 0.1uF	50V
C212	1-164-159-11	CERAMIC 0.1uF	50V
C213	1-126-933-11	ELECT 100uF	20% 16V
C214	1-126-933-11	ELECT 100uF	20% 16V
		< CONNECTOR >	
CNS211	1-784-733-11	CONNECTOR, FFC 11P (MY,SP,AUS,CH)	
CNS211	1-784-737-11	CONNECTOR, FFC 15P (US,CND)	
CNS212	1-784-731-11	CONNECTOR, FFC 9P (MY,SP,CH)	
CNS215	1-784-729-11	CONNECTOR, FFC 7P (US,CND)	

Ref. No.	Part No.	Description	Remarks	Ref. No.	Part No.	Description	Remarks
< DIODE >				< RESISTOR >			
D201	8-719-911-19	DIODE 1SS119		R413	1-249-437-11	CARBON 47K 5%	1/4W
D202	8-719-911-19	DIODE 1SS119		R414	1-249-437-11	CARBON 47K 5%	1/4W
< IC >				R415	1-249-437-11	CARBON 47K 5%	1/4W
IC201	8-759-529-20	IC NJM2296D		R416	1-249-429-11	CARBON 10K 5%	1/4W
IC202	8-759-701-65	IC NJM79M05FA		R417	1-247-843-11	CARBON 3.3K 5%	1/4W
< JACK >				R418	1-249-437-11	CARBON 47K 5%	1/4W
J201	1-766-399-11	JACK, PIN 3P (MONITOR/VIDE 1)		R419	1-249-437-11	CARBON 47K 5%	1/4W
J202	1-766-400-11	JACK, PIN 2P (VIDEO 2)		R420	1-249-437-11	CARBON 47K 5%	1/4W
J203	1-766-400-11	JACK, PIN 2P (TV/DBS,DVD/LD)		R421	1-249-437-11	CARBON 47K 5%	1/4W
J204	1-563-330-11	JACK (S-LINK)		R463	1-249-437-11	CARBON 47K 5%	1/4W
< RESISTOR >				R464	1-249-437-11	CARBON 47K 5%	1/4W
R201	1-247-804-11	CARBON 75 5%	1/4W	R465	1-249-437-11	CARBON 47K 5%	1/4W
R202	1-247-804-11	CARBON 75 5%	1/4W	R466	1-249-429-11	CARBON 10K 5%	1/4W
R203	1-247-804-11	CARBON 75 5%	1/4W	R467	1-247-843-11	CARBON 3.3K 5%	1/4W
R204	1-247-804-11	CARBON 75 5%	1/4W	R468	1-247-843-11	CARBON 3.3K 5%	1/4W
R205	1-247-804-11	CARBON 75 5%	1/4W	R469	1-249-437-11	CARBON 47K 5%	1/4W
R206	1-247-804-11	CARBON 75 5%	1/4W	R470	1-249-437-11	CARBON 47K 5%	1/4W
R207	1-247-804-11	CARBON 75 5%	1/4W	R471	1-249-437-11	CARBON 47K 5%	1/4W
*****				RR108	1-249-411-11	CARBON 330 5%	1/4W
* A-4414-066-A VOLUME BOARD, COMPLETE				< VARIABLE RESISTOR >			
*****				RV401	1-225-445-11	RES, VAR, CARBON 100KX6	(MASTER VLUME)
(including BALANCE BOARD)				RV402	1-238-965-21	RES, VAR, CARBON 100K/100K (BALANCE)	
< CAPACITOR >				*****			
C410	1-126-233-11	ELECT 22uF 20%	50V	MISCELLANEOUS			
C411	1-126-233-11	ELECT 22uF 20%	50V	*****			
C412	1-126-233-11	ELECT 22uF 20%	50V	12	1-773-161-11	WIRE (FLAT TYPE)(21 CORE)	
C413	1-162-199-31	CERAMIC 10PF 5%	50V	13	1-769-959-11	WIRE (FLAT TYPE)(11 CORE)(MY,SPAUS,CH)	
C414	1-162-199-31	CERAMIC 10PF 5%	50V	13	1-773-025-11	WIRE (FLAT TYPE)(15 CORE)(US,CND)	
C415	1-162-199-31	CERAMIC 10PF 5%	50V	66	1-773-285-11	WIRE (FLAT TYPE) (29 CORE)	
C421	1-162-286-31	CERAMIC 220PF 10%	50V	△ 73	1-696-847-11	CORD, POWER (AUS)	
C422	1-162-286-31	CERAMIC 220PF 10%	50V	△ 73	1-769-743-11	CORD, POWER (US,CND)	
C423	1-162-286-31	CERAMIC 220PF 10%	50V	△ 73	1-769-744-11	CORD, POWER (MY,SP)	
C460	1-126-233-11	ELECT 22uF 20%	50V	△ 73	1-782-464-21	CORD, POWER (CH)	
C461	1-126-233-11	ELECT 22uF 20%	50V	75	1-769-904-11	WIRE (FLAT TYPE) (9 CORE)(MY,SP,CH)	
C462	1-126-233-11	ELECT 22uF 20%	50V	76	1-769-876-11	WIRE (FLAT TYPE) (7 CORE)	
C463	1-162-199-31	CERAMIC 10PF 5%	50V	△ CNJ901	1-251-416-11	OUTLET, A.C. (AUS)	
C464	1-162-199-31	CERAMIC 10PF 5%	50V	△ CNJ901	1-526-794-11	OUTLET, AC (MY,SP)	
C465	1-162-199-31	CERAMIC 10PF 5%	50V	△ T901	1-431-887-11	TRANSFORMER, POWER (US)	
C471	1-162-286-31	CERAMIC 220PF 10%	50V	△ T901	1-431-888-11	TRANSFORMER, POWER (CND)	
C472	1-162-286-31	CERAMIC 220PF 10%	50V	△ T901	1-431-890-11	TRANSFORMER, POWER (AUS)	
C473	1-162-286-31	CERAMIC 220PF 10%	50V	△ T901	1-431-894-11	TRANSFORMER, POWER (MY,SP,CH)	
< CONNECTOR >				△ TM301	1-693-407-11	TUNER (US,CND)	
CNP101	1-770-388-11	PIN, CONNECTOR (PC BOARD) 4P		△ TM301	1-693-409-11	TUNER (MY,SP,AUS,CH)	
* CNS402	1-564-726-11	PIN, CONNECTOR (SMALL TYPE)10P		*****			
< IC >							
IC408	8-759-634-50	IC M5218AL					
IC409	8-759-634-50	IC M5218AL					
IC410	8-759-634-50	IC M5218AL					

The components identified by mark △ or dotted line with mark △ are critical for safety. Replace only with part number specified.	Les composants identifiés par une marque △ sont critiques pour la sécurité. Ne les remplacer que par une pièce portant le numéro spécifié.
--	--

Ref. No.	Part No.	Description	Remarks
		ACCESSORIES & PACKING MATERIALS *****	
	1-475-726-12	REMOTE COMMANDER (RM-LJ301)	
	1-501-374-11	ANTENNA, LOOP	
	1-776-258-11	CORD, AVC CONNECTION (US,CND)	
	1-777-172-11	CORD, CONNECTION (US,CND)	
	3-864-441-11	MANUAL, INSTRUCTION (RM-LJ301) (ENGLISH/FRENCH/SPANISH)	
	3-864-441-21	MANUAL, INSTRUCTION (RM-LJ301)(FRENCH)(CND)	
	3-864-441-31	MANUAL, INSTRUCTION (RM-LJ301) (ENGLISH/CHINESE)(MY,SP,CH)	
	3-864-483-11	MANUAL, INSTRUCTION (ENGLISH)(US,CND)	
	3-864-483-21	MANUAL, INSTRUCTION (ENGLISH)(AUS)	
	3-864-483-31	MANUAL, INSTRUCTION (FRENCH)(CND)	
	3-864-483-51	MANUAL, INSTRUCTION (ENGLISH/CHINESE) (MY,SP)	
	3-864-483-61	MANUAL, INSTRUCTION (ENGLISH/CHINESE) (CH)	
	4-210-990-01	LID, BATTERY CASE (For RM-LJ301)	

		***** HARDWARE LIST *****	
#1	7-685-646-79	SCREW +BVTP 3X8 TYPE2 IT-3	
#2	7-685-881-09	SCREW +BVTT 4X8 (S)	
#3	7-685-872-09	SCREW +BVTT 3X8 (S)	

STR-DE825/V818

SONY®

SERVICE MANUAL

US Model
Canadian Model
E Model
Australian Model
STR-DE825
Chinese Model
STR-V818

CORRECTION-1

Correct your service manual as shown below.

Page	INCORRECT	CORRECT																																																				
77	<p>REAR AMP BOARD, COMPLETE *****</p> <table border="1"> <thead> <tr> <th>Ref. No.</th> <th>Part No.</th> <th>Description</th> <th>Remark</th> </tr> </thead> <tbody> <tr><td> </td><td> </td><td> </td><td> </td></tr> <tr><td> </td><td> </td><td> </td><td> </td></tr> <tr><td> </td><td> </td><td> </td><td> </td></tr> <tr><td> </td><td> </td><td> </td><td> </td></tr> <tr><td> </td><td> </td><td> </td><td> </td></tr> </tbody> </table>	Ref. No.	Part No.	Description	Remark																					<p>REAR AMP BOARD, COMPLETE *****</p> <table border="1"> <thead> <tr> <th>Ref. No.</th> <th>Part No.</th> <th>Description</th> <th>Remark</th> </tr> </thead> <tbody> <tr> <td>Q705</td> <td>8-729-209-15</td> <td>TRANSISTOR 2SD2012</td> <td></td> </tr> <tr> <td>Q706</td> <td>8-749-010-25</td> <td>IC MN2488-OPY-M</td> <td></td> </tr> <tr> <td>Q707</td> <td>8-749-010-26</td> <td>IC MP1620-OPY-M</td> <td></td> </tr> <tr> <td>Q755</td> <td>8-729-209-15</td> <td>TRANSISTOR 2SD2012</td> <td></td> </tr> <tr> <td>Q756</td> <td>8-749-010-25</td> <td>IC MN2488-OPY-M</td> <td></td> </tr> <tr> <td>Q757</td> <td>8-749-010-26</td> <td>IC MP1620-OPY-M</td> <td></td> </tr> </tbody> </table>	Ref. No.	Part No.	Description	Remark	Q705	8-729-209-15	TRANSISTOR 2SD2012		Q706	8-749-010-25	IC MN2488-OPY-M		Q707	8-749-010-26	IC MP1620-OPY-M		Q755	8-729-209-15	TRANSISTOR 2SD2012		Q756	8-749-010-25	IC MN2488-OPY-M		Q757	8-749-010-26	IC MP1620-OPY-M	
	Ref. No.	Part No.	Description	Remark																																																		
Ref. No.	Part No.	Description	Remark																																																			
Q705	8-729-209-15	TRANSISTOR 2SD2012																																																				
Q706	8-749-010-25	IC MN2488-OPY-M																																																				
Q707	8-749-010-26	IC MP1620-OPY-M																																																				
Q755	8-729-209-15	TRANSISTOR 2SD2012																																																				
Q756	8-749-010-25	IC MN2488-OPY-M																																																				
Q757	8-749-010-26	IC MP1620-OPY-M																																																				

(SPM-00002)

