

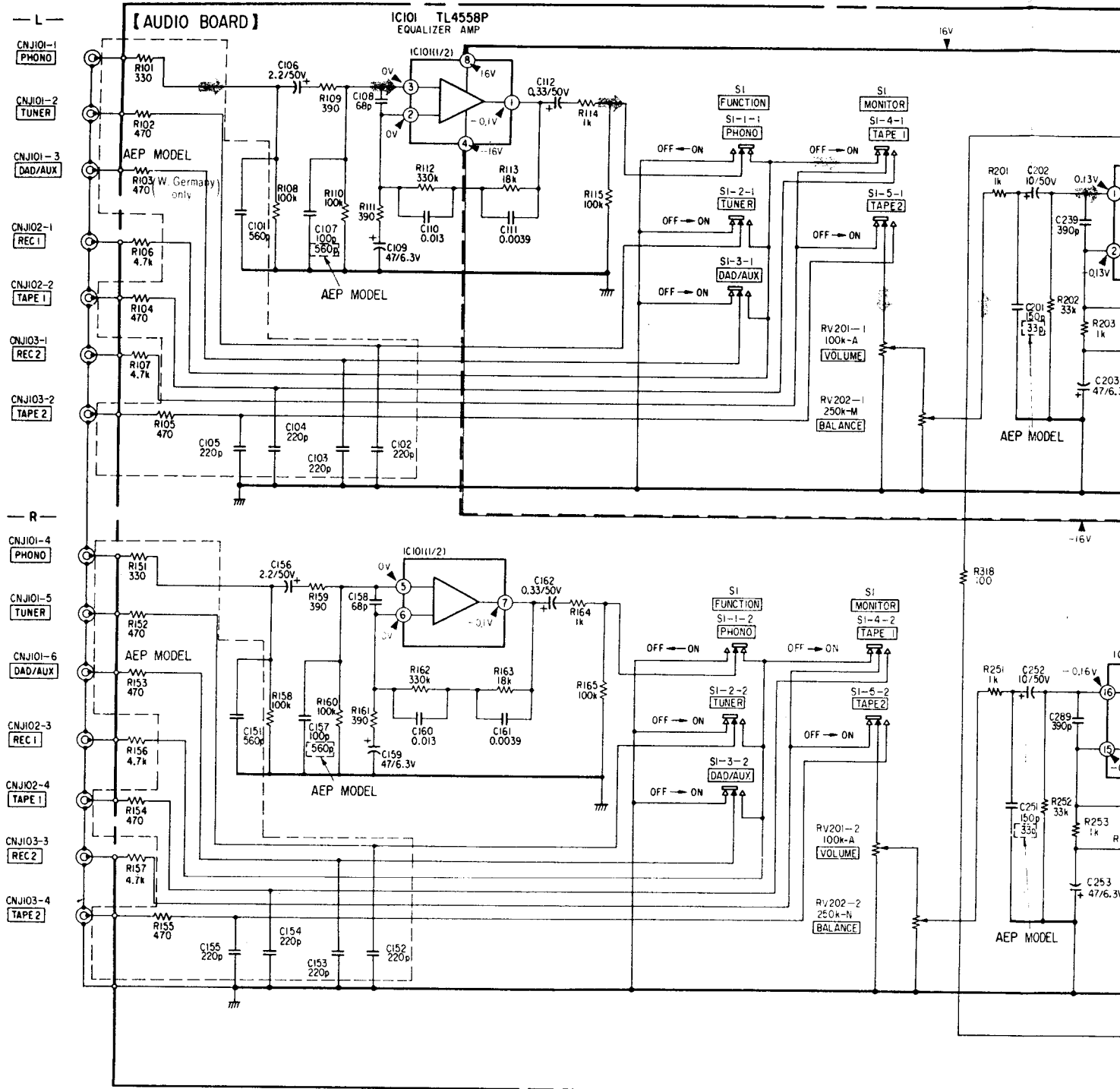
A

B

C

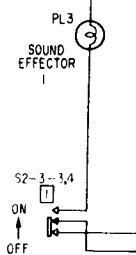
D

3-2. SCHEMATIC DIAGRAM



INTEGRATED - STEREO AMPLIFIER,  
SONY TA-AX22

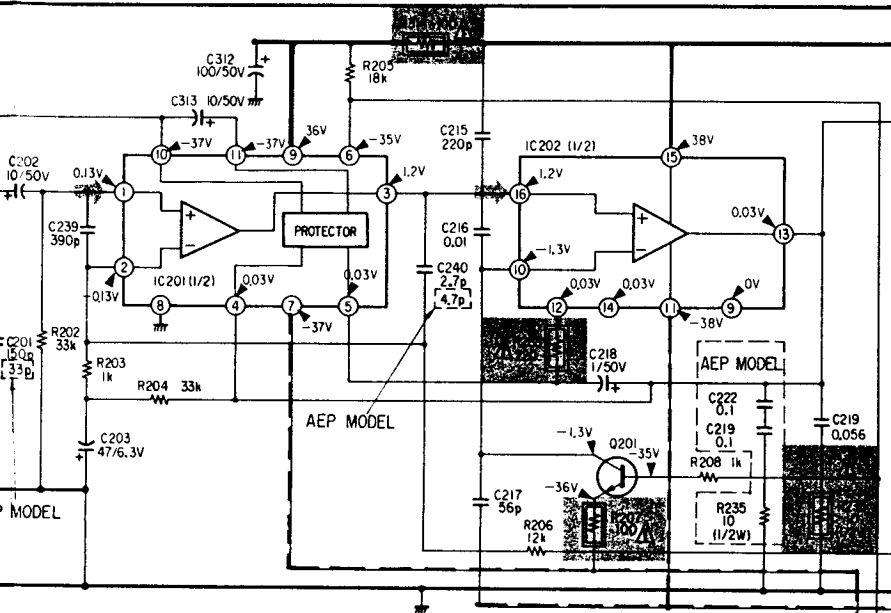
[TONE BOARD(1/3)]



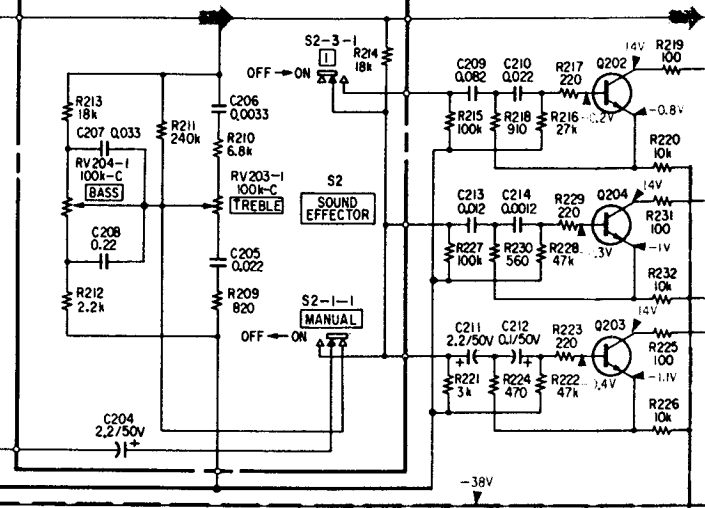
IC201 STK3041  
POWER DRIVE AMP

IC202 STK2129  
POWER AMP

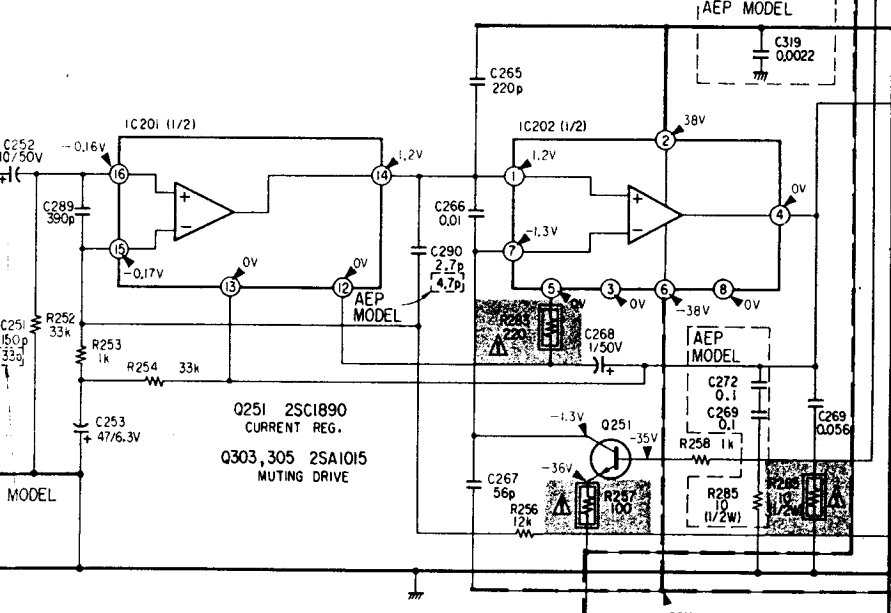
Q202, 203, 204 2SC2021  
SOUND EFFECTOR DRIVE



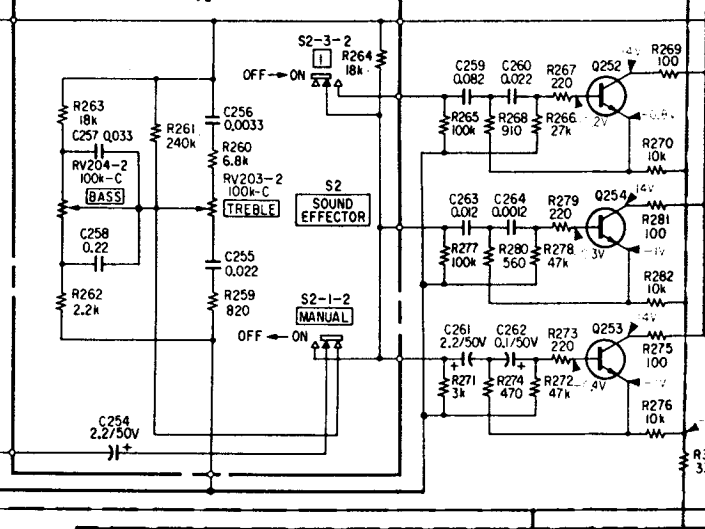
[TONE BOARD(1/3)]



Q201 2SC1890  
CURRENT REG



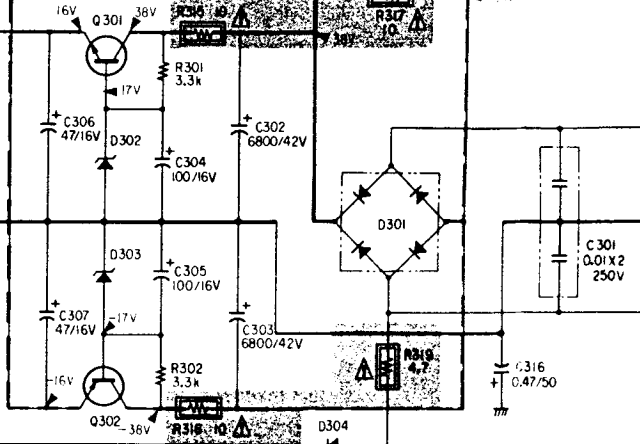
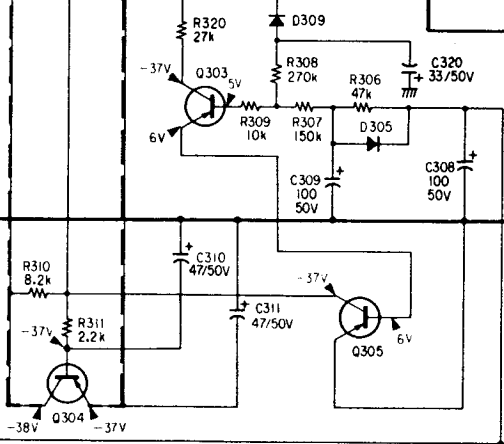
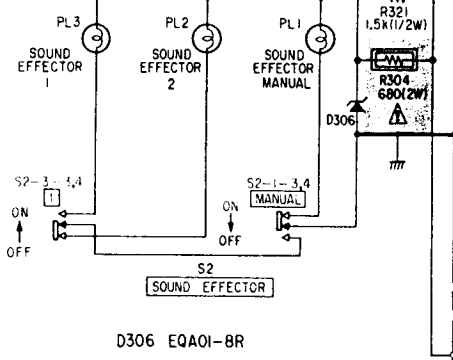
[TONE BOARD(1/3)]



Q251 2SC1890  
CURRENT REG.  
Q303, 305 2SA1015  
MUTING DRIVE

Q252, 253, 254 2SC2021  
SOUND EFFECTOR DRIVE

ARD(1/3)]



D306 EQAOI-8R

Q304 2SA1015  
MUTING

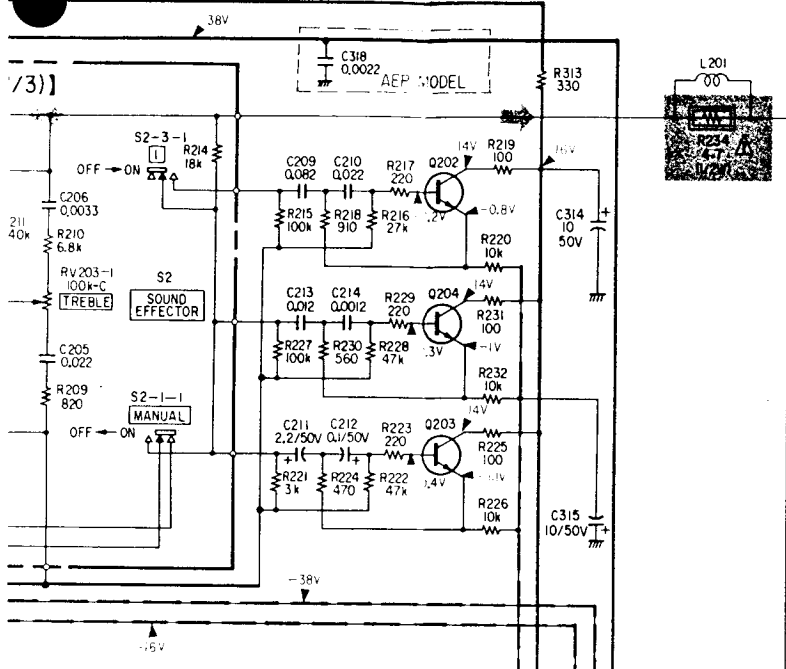
D302, 303 HZ16  
VOL. REG.

D305, 309 IS1555  
MUTING

Q301 2SD667 Q302 2SB647  
VOL. REG.

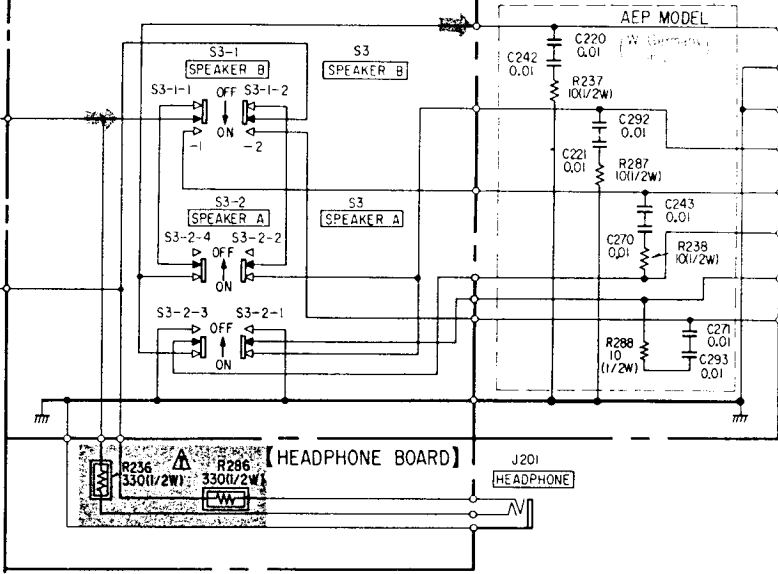
D304 10E-1 D301 S2VB20  
MUTING

Q202, 203, 204 2SC2021  
SOUND EFFECTOR DRIVE

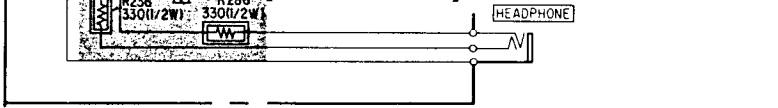


[SPEAKER SW BOARD]

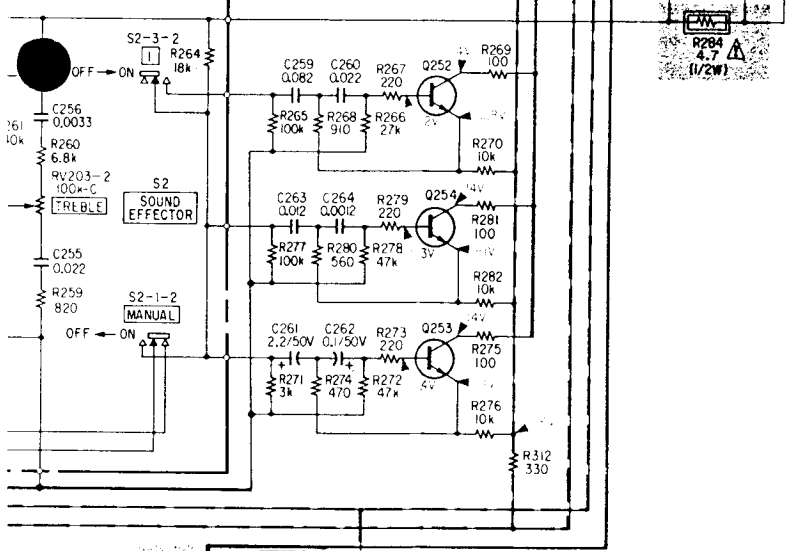
[SPEAKER BOARD]



[HEADPHONE BOARD]

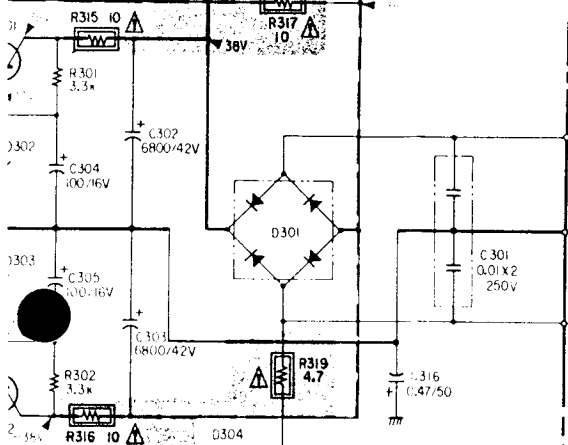
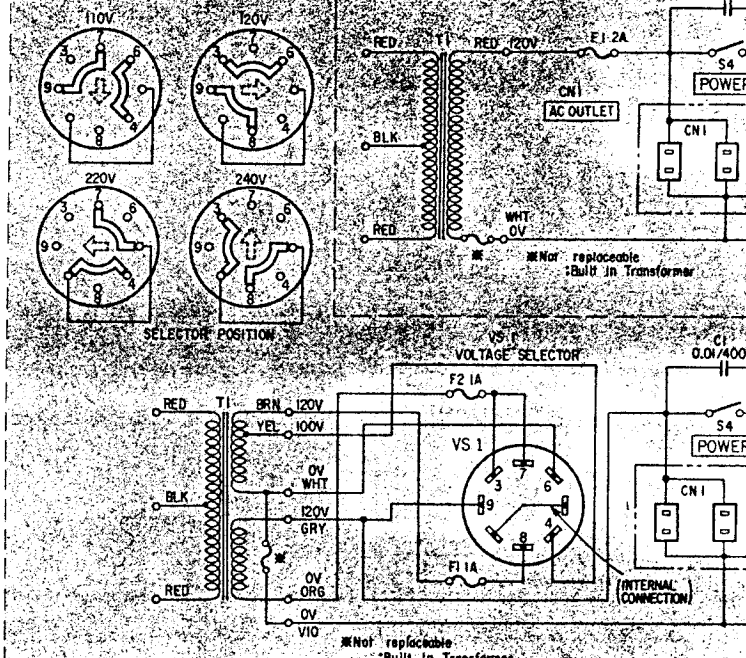


Q252, 253, 254 2SC2021  
SOUND EFFECTOR DRIVE



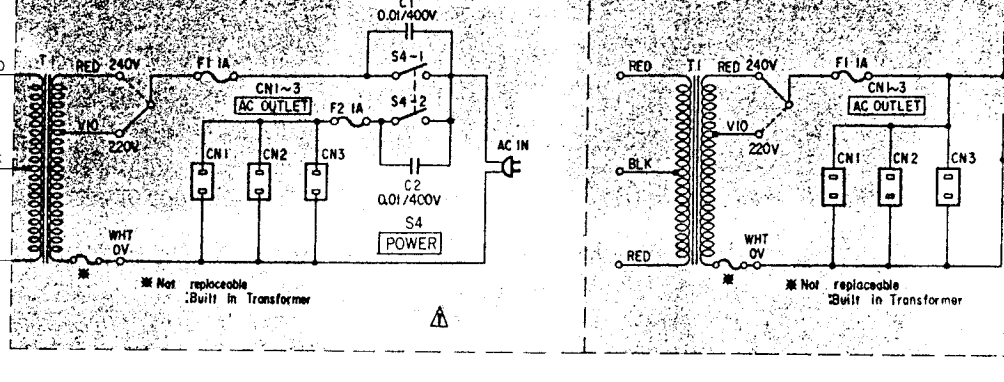
E MODEL

US, Canadian MODEL

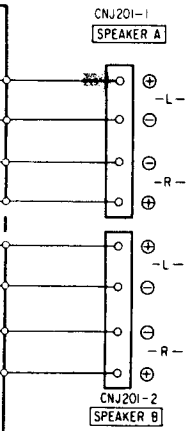


AEP MODEL

UK MODEL



L








1

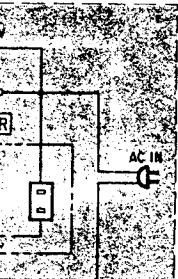
**Note:** Les composants identifiés par une trame et une marque ⚠ sont critiques pour la sécurité. Ne les remplacer que par une pièce portant le numéro spécifié.

**Note:** The components identified by shading and mark ⚠ are critical for safety. Replace only with part number specified.

**Note:**

- All capacitors are in  $\mu\text{F}$  unless otherwise noted.  $\text{pF}$  :  $\mu\mu\text{F}$  50WV or less are not indicated except for electrolytics and tantalums.
- All resistors are in ohms,  $\frac{1}{4}\text{W}$  unless otherwise noted.  $\text{k}\Omega$  :  $1000\Omega$ ,  $\text{M}\Omega$  :  $1000\text{k}\Omega$
-  : nonflammable resistor.
-  : panel designation.
-  : B+ bus.
-  : B- bus.
- Voltages are dc with respect to ground unless otherwise noted.
- Readings are taken under no-signal conditions with a VOM ( $50\text{ k}\Omega/\text{V}$ ).
- Voltage variations may be noted due to normal production tolerances.
-  : signal path

2

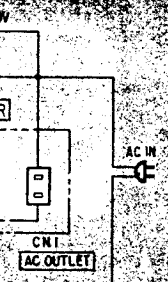


3

• Switch

Ref. No.	Switch	Position
S1-1	PHONO	ON
S1-2	TUNER	OFF
S1-3	DAD/AUX	OFF
S1-4	TAPE 1	OFF
S1-5	TAPE 2	OFF
S2-1	SE MANUAL	ON
S2-3	SE 1	OFF
S3-1	SPEAKER B	OFF
S3-2	SPEAKER A	ON
S4	POWER	OFF

4



5

