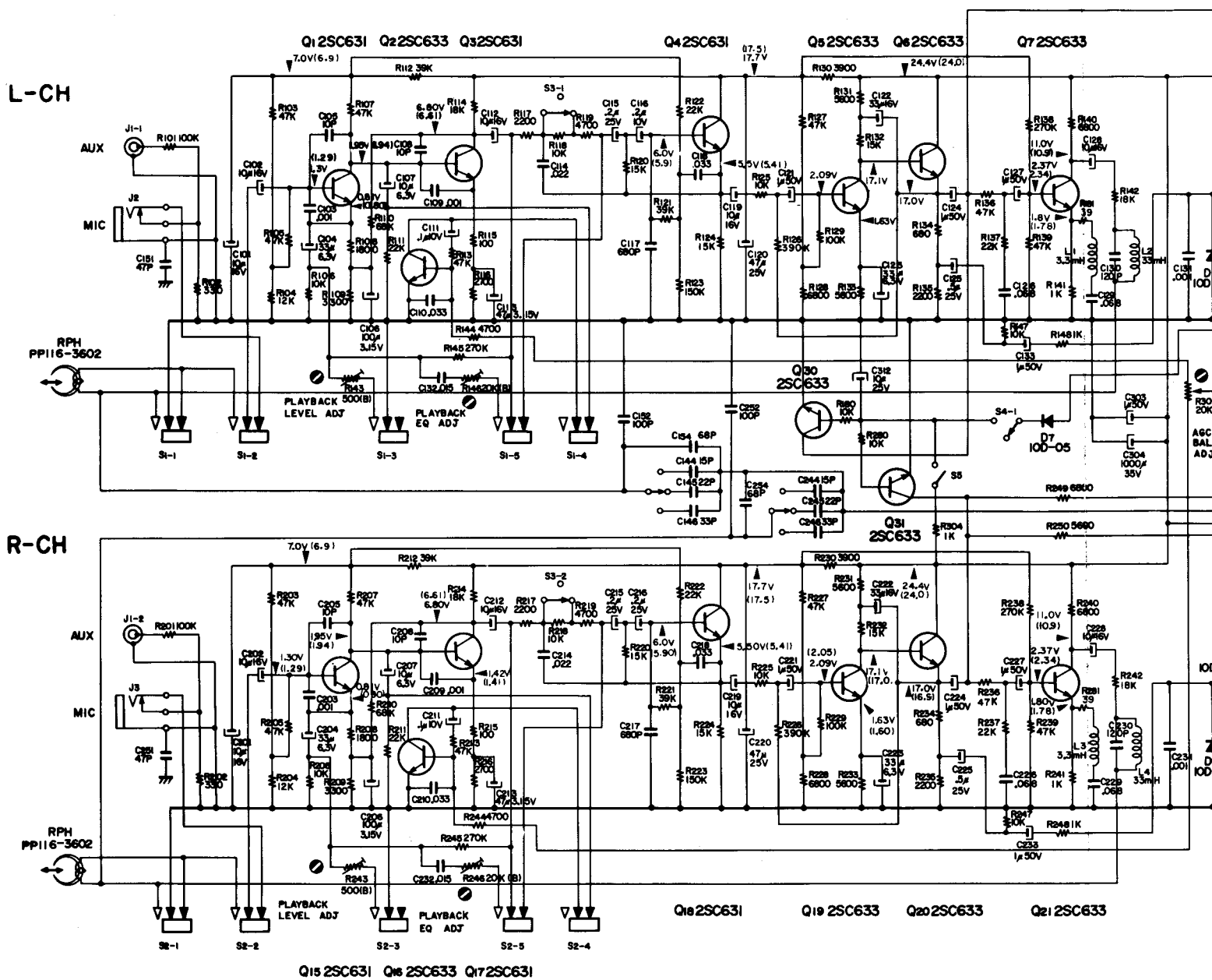


Schematic Diagram

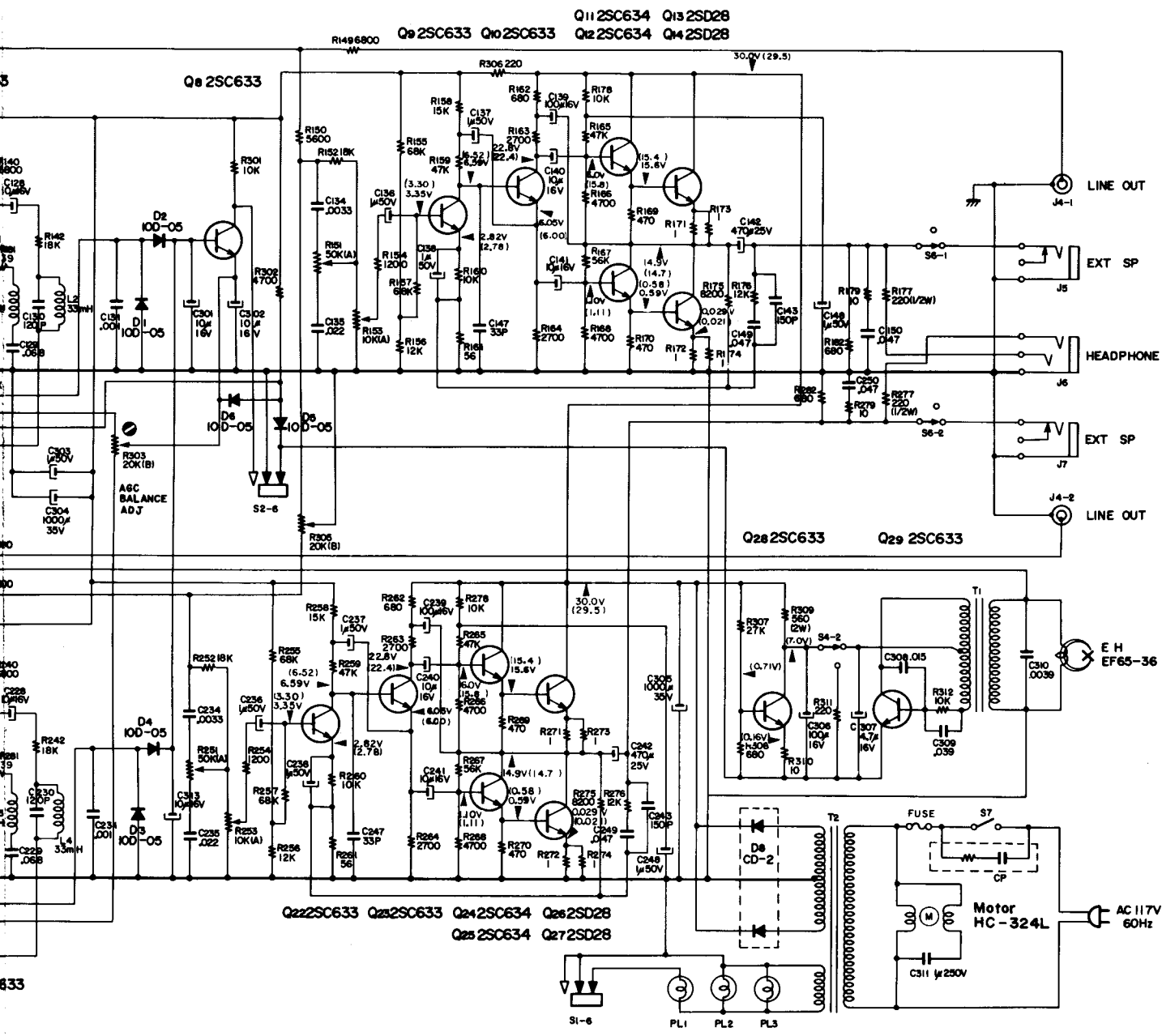


SCHEMATIC NOTES:

1. : Adjustable
2. : Grounding to Chassis
3. All resistors and capacitors are in Ω and μF respectively unless otherwise specified.

4. The letter (A) or (B) suffixed to rated value of potentiometer indicates its characteristic.
5. Voltage values are measured to ground with a VTVM in PLAYBACK and RECORD modes at the speed of $1\frac{1}{8}$ ips (4.8 cm/s). Variations may be noted because of normal production tolerances. Voltage values in RECORD mode are enclosed in parentheses

SW	N
S1	S
S	S
S	S
S	S
S	S



SWITCH NO.	DESCRIPTION	POSITION IN DIAGRAM
S ₁ S ₂	REC/PB SWITCH	REC
S ₃	NOISE SUPPRESS SWITCH	OFF
S ₄	MUTING SWITCH	FORWARD
S ₅	MUTING SWITCH	OFF
S ₆	SPEAKER/MONITOR SWITCH	ON
S ₇	POWER SWITCH	OFF

