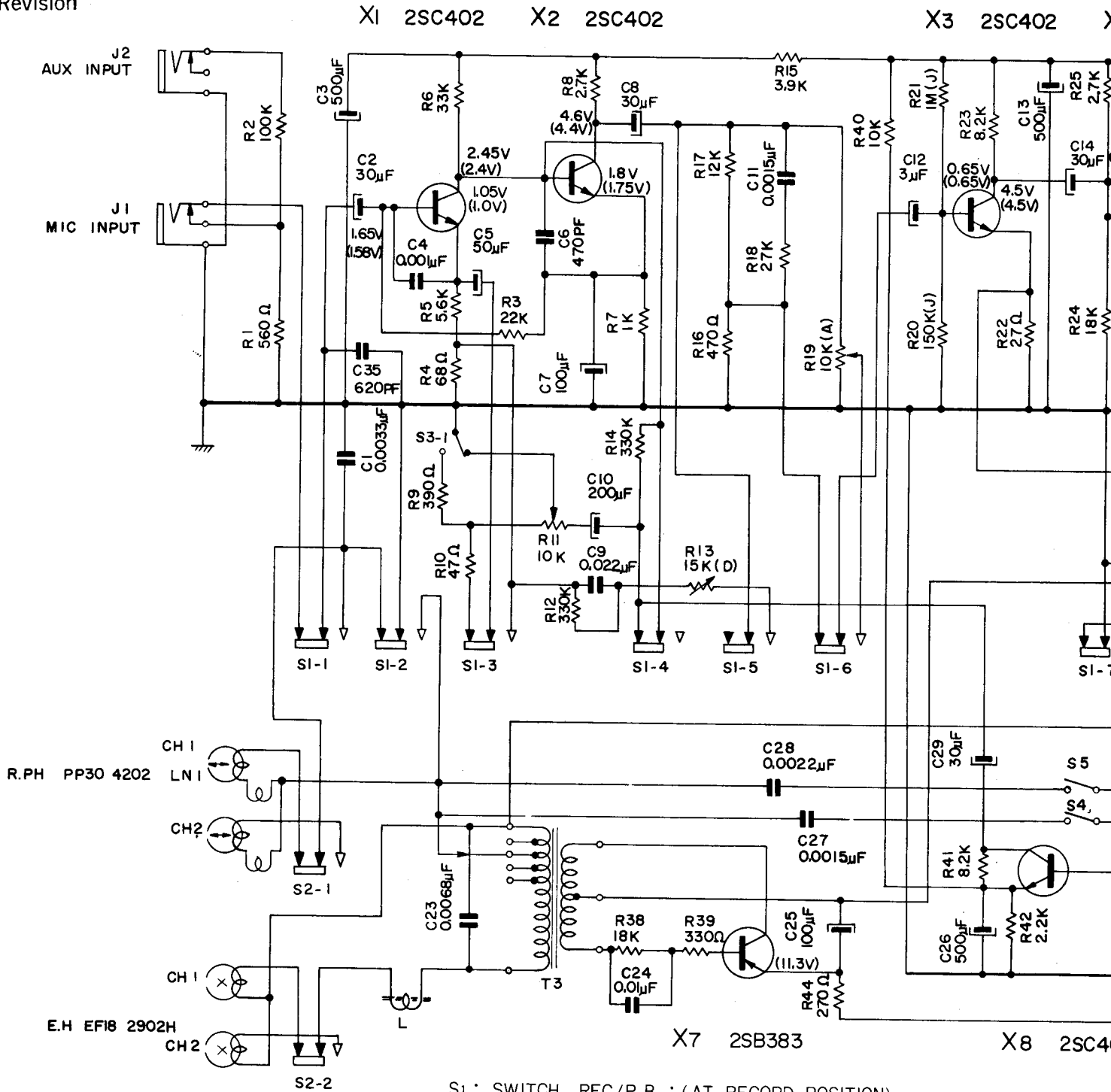


Circuit Schematic

First Revision



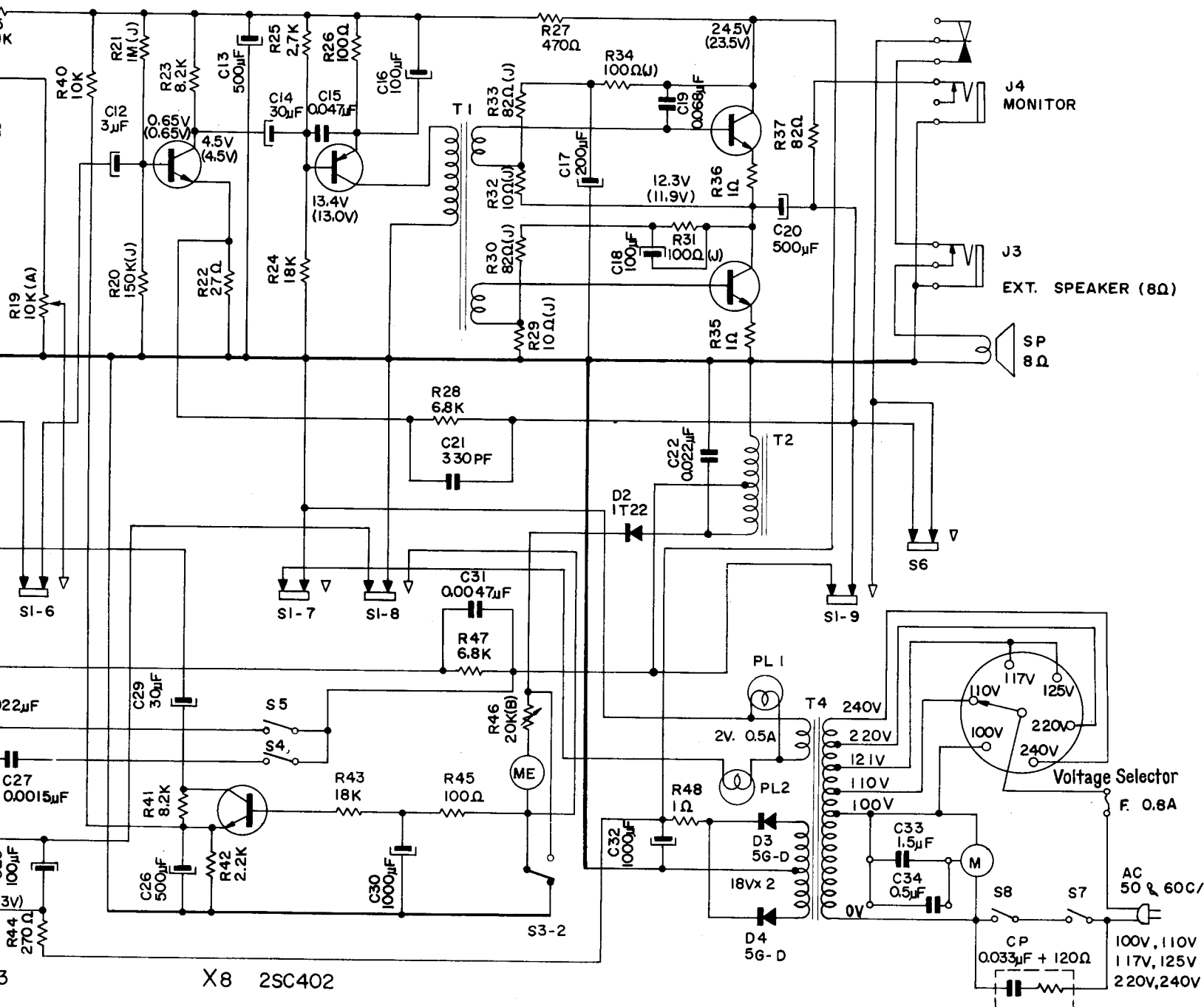
- S1 : SWITCH, REC/P.B. : (AT RECORD POSITION)
- S2 : SWITCH, CHANNEL SELECTOR (CHANNEL-1 POSITION)
- S3 : SWITCH, AUTO/MANUAL SELECTOR (MANUAL POSITION)
- S4 : SWITCH, EQUALIZER (ON 3/4 & 1/8 1PS POSITION)
- S5 : SWITCH, EQUALIZER (ON 1/8 1PS POSITION)
- S6 : SWITCH, SPEAKER ON/OFF
- S7 : SWITCH, POWER ON/OFF
- S8 : SWITCH, AUTOMATIC SHUT-OFF

VALUES IN PARENTHESES ARE MEASURED WITH 0 SIGNAL ON DC

X3 2SC402 X4 2SB381

X5 2SD28

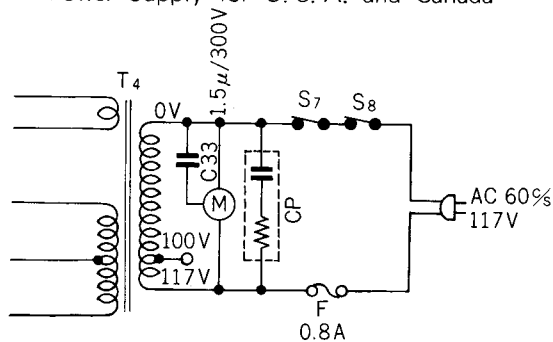
X6 2SD28



X8 2SC402

POSITION)
 CHANNEL-1 POSITION)
 OR (MANUAL POSITION)
 1% 1PS POSITION)
 POSITION)

Power Supply for U. S. A. and Canada



D WITH 0 SIGNAL ON DC