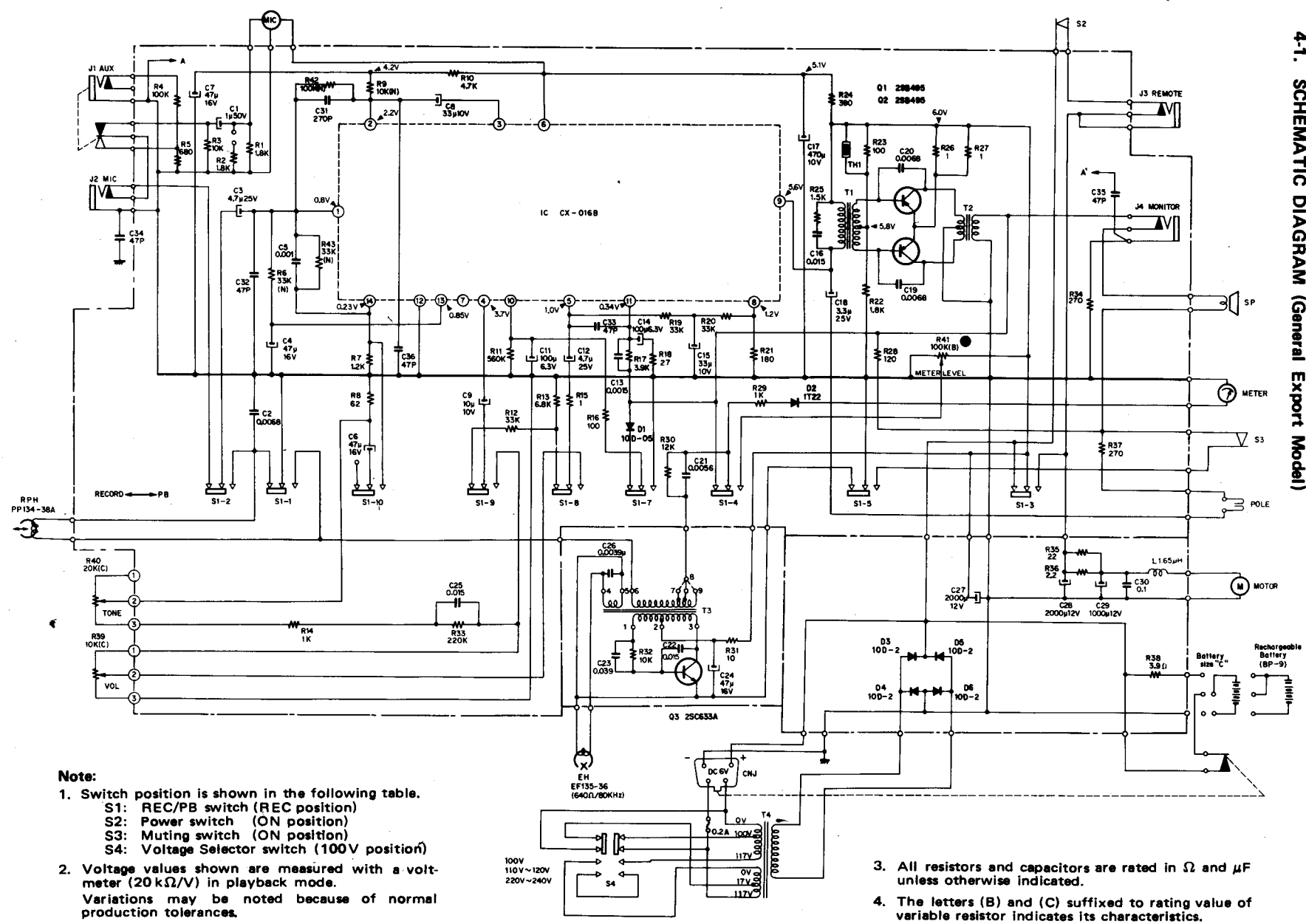


SECTION 4
DIAGRAMS

4-1. SCHEMATIC DIAGRAM (General Export Model)

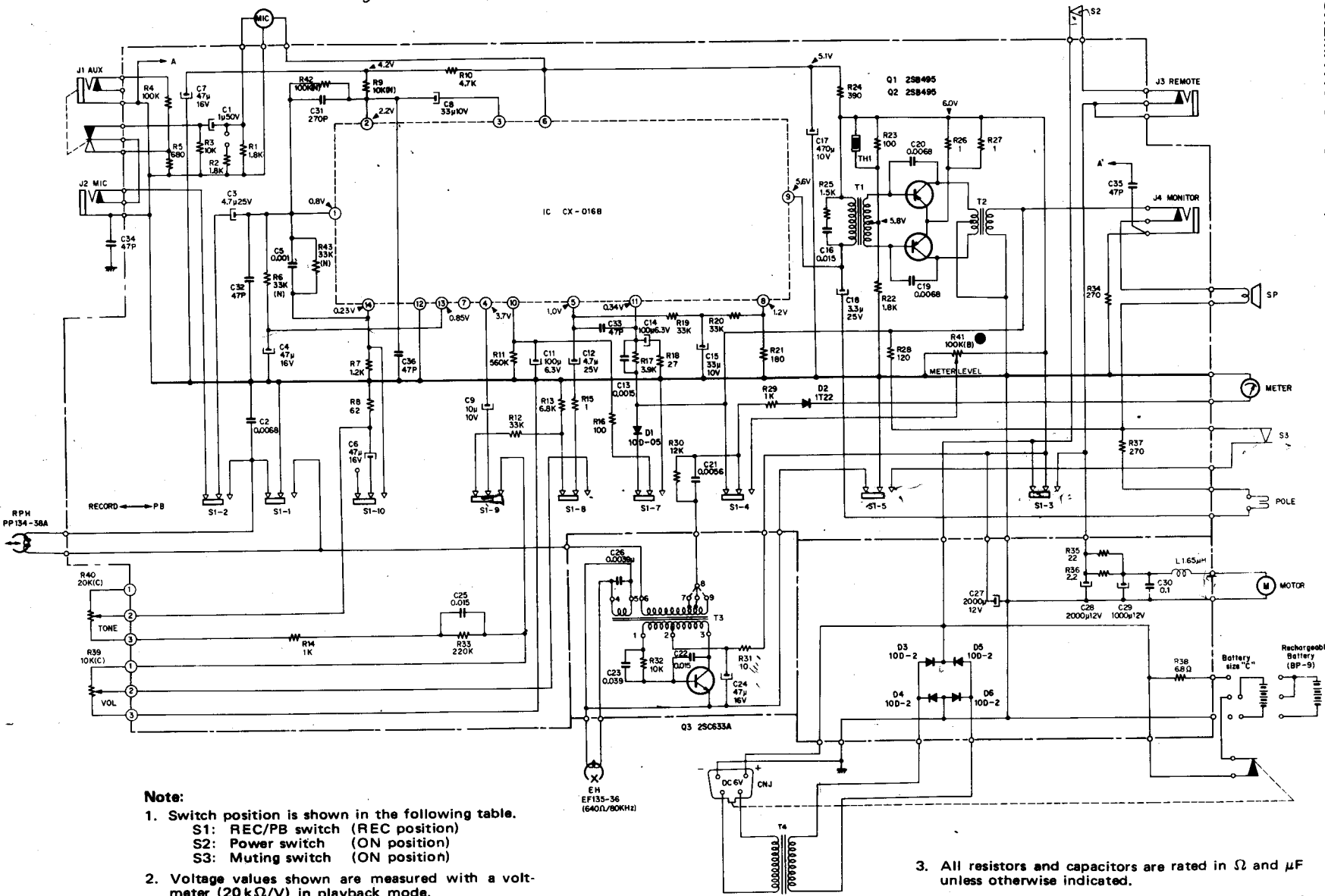


Note:

- Switch position is shown in the following table.
 S1: REC/PB switch (REC position)
 S2: Power switch (ON position)
 S3: Muting switch (ON position)
 S4: Voltage Selector switch (100V position)
- Voltage values shown are measured with a voltmeter (20 kΩ/V) in playback mode. Variations may be noted because of normal production tolerances.

- All resistors and capacitors are rated in Ω and μF unless otherwise indicated.
- The letters (B) and (C) suffixed to rating value of variable resistor indicates its characteristics.

25B495 } TCG = 158



Note:

1. Switch position is shown in the following table.
 S1: REC/PB switch (REC position)
 S2: Power switch (ON position)
 S3: Muting switch (ON position)
2. Voltage values shown are measured with a voltmeter (20 kΩ/V) in playback mode. Variations may be noted because of normal production tolerances.

3. All resistors and capacitors are rated in Ω and μF unless otherwise indicated.
4. The letters (B) and (C) suffixed to rating value of variable resistor indicates its characteristics.