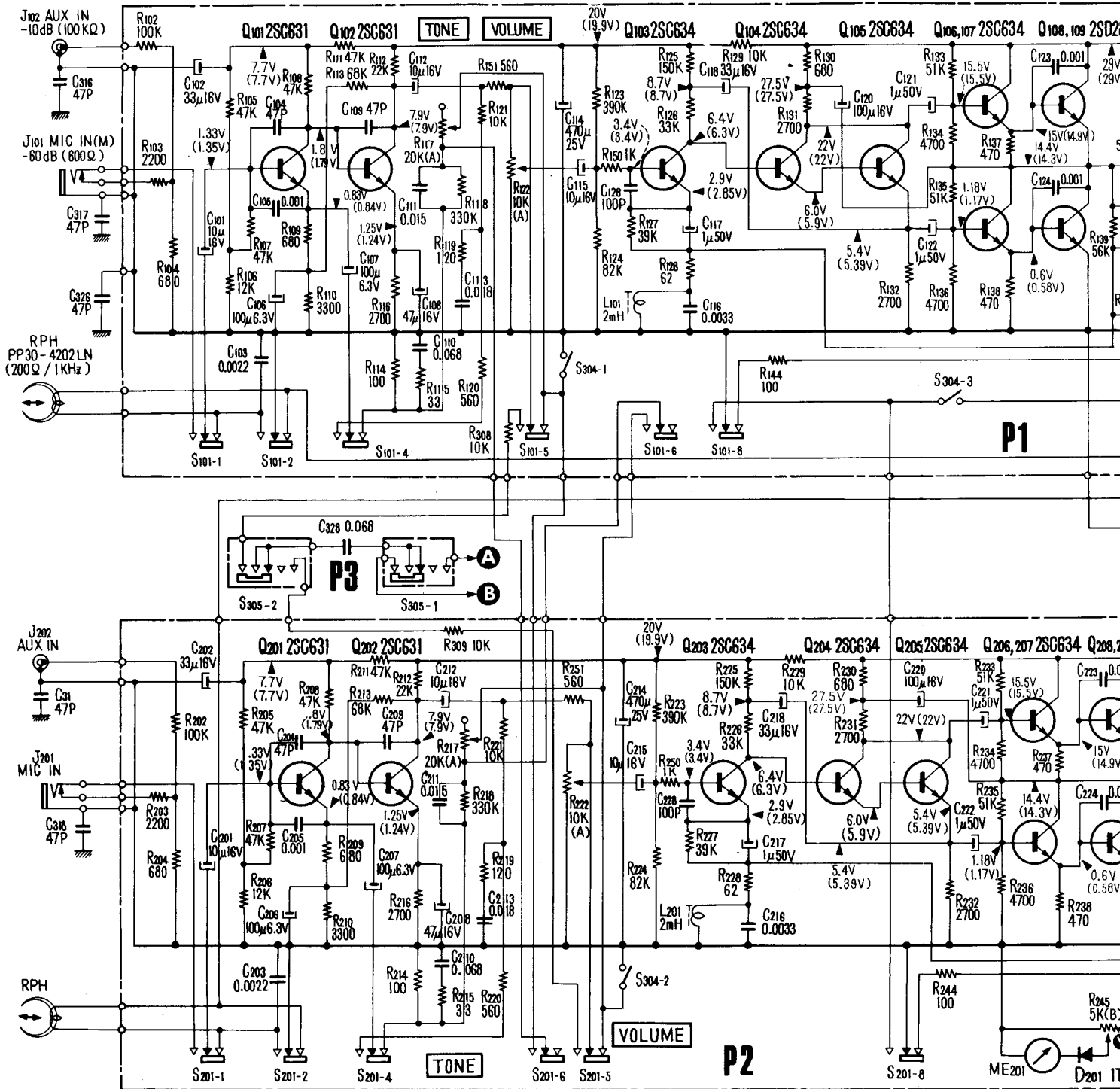


12. SCHEMATIC DIAGRAM

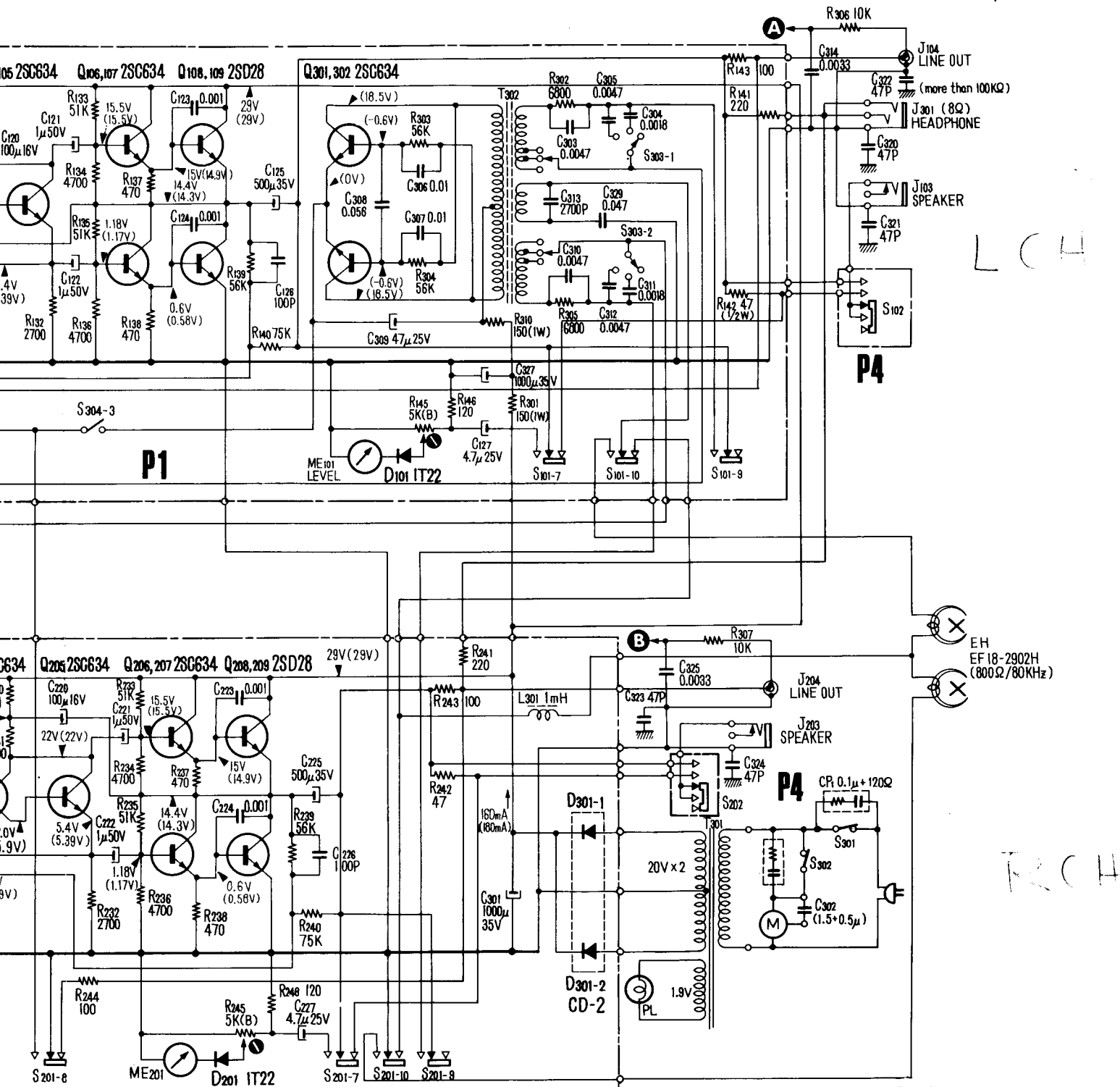


Note:

1. All resistors and capacitors are rated in Ω and μF unless otherwise specified.
2. Ⓢ : adjustable
3. Ⓢ : grounded to chassis
4. The letter (A) or (B) suffixed to rating value of variable resistor indicates its characteristics.
5. DC voltages shown in BLUE color are measured to ground circuit with a VTVM. Values in () are taken in record mode. Variations may be noted due to normal production tolerances.

6. Switch positions are shown in the following table.

Symbol	Description
S101, 201	Record/playback switch
S102, 202	SPEAKER switch
S301	POWER switch
S302	Auto shut-off switch
S303	Record equalizer switch
S304-1-2	Muting switch
S304-3	Bias osc. on/off switch
S305	SOS switch



LCH

RCH

connections are shown in the following table.

Position	Description	Position
S101-1	Record/playback switch	playback
S101-2	SPEAKER switch	OFF
	POWER switch	ON
	Auto shut-off switch	ON
	Record equalizer switch	7 1/2 ips (19 cm/s)
S101-2	Muting switch	OFF
	Bias osc. on/off switch	OFF
	SOS switch	R → L

