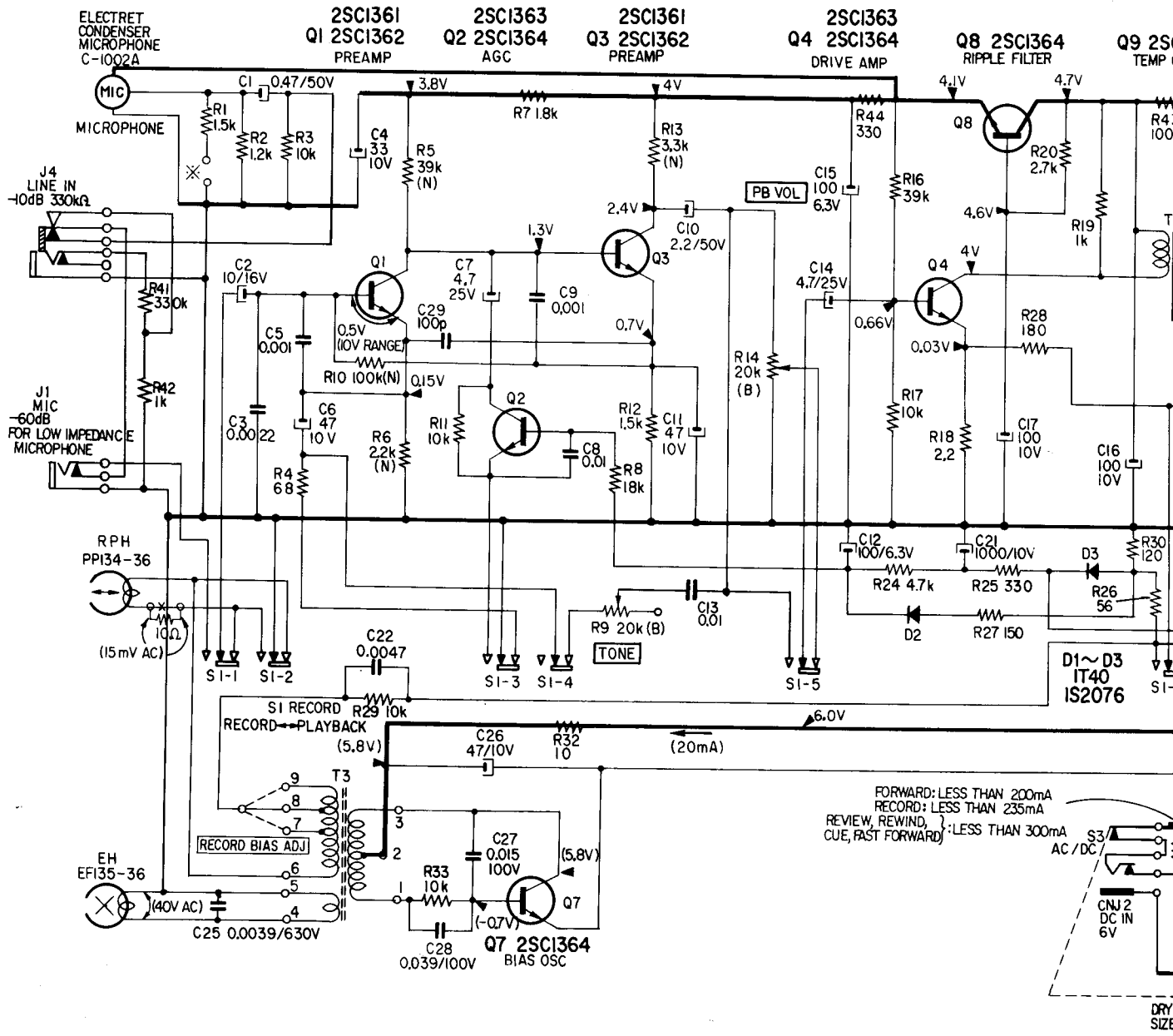
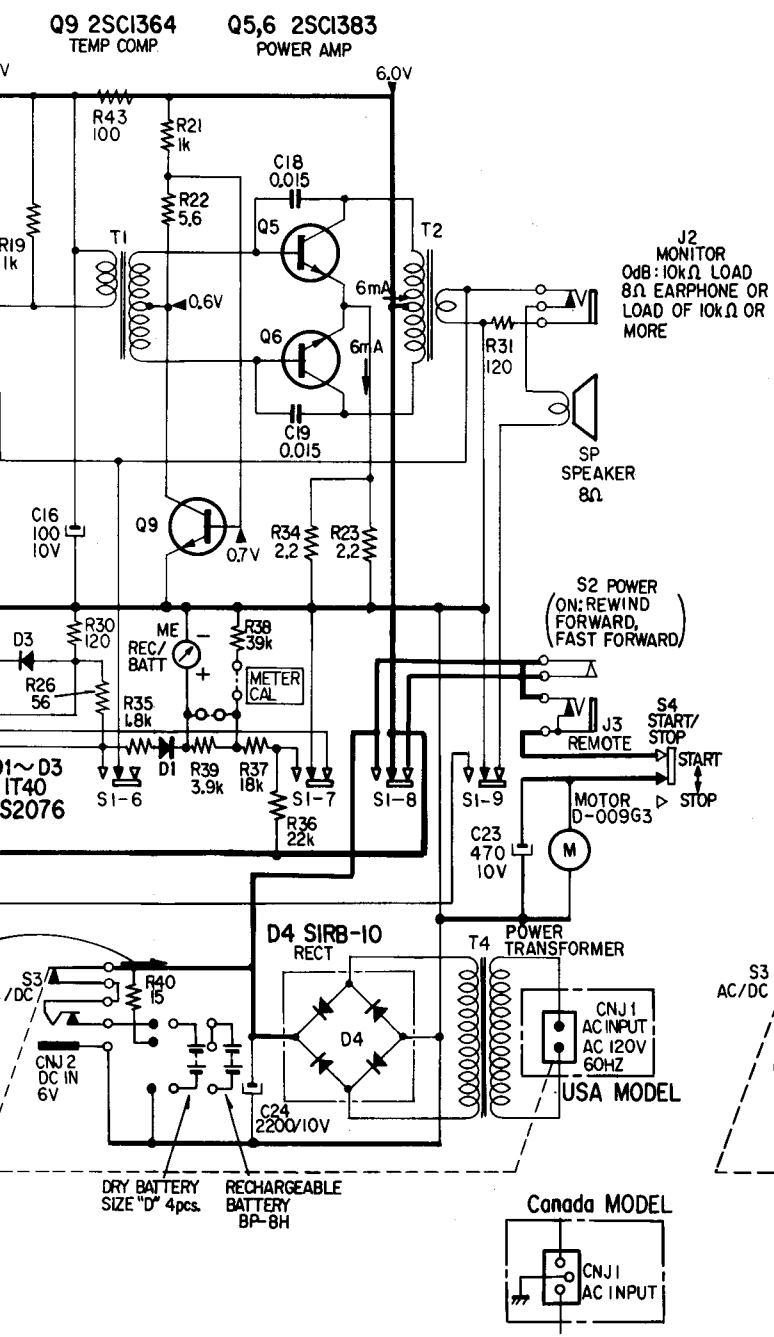


4-3. SCHEMATIC DIAGRAM

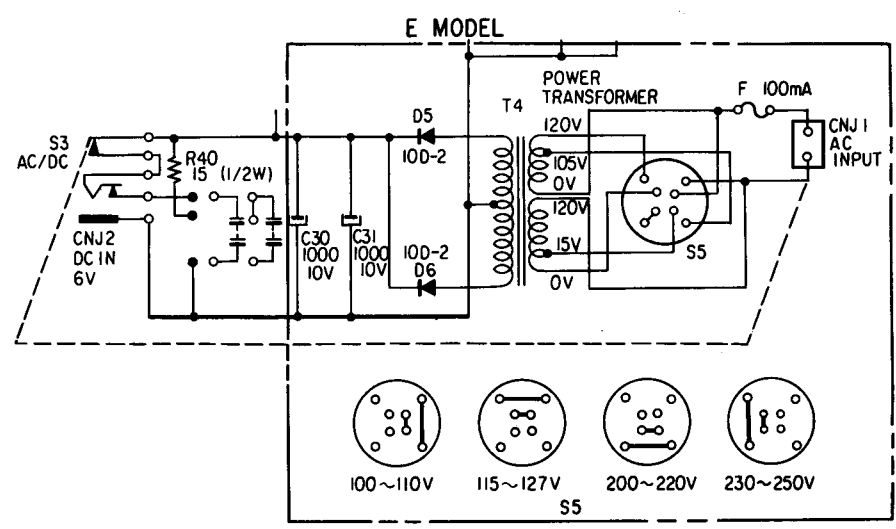




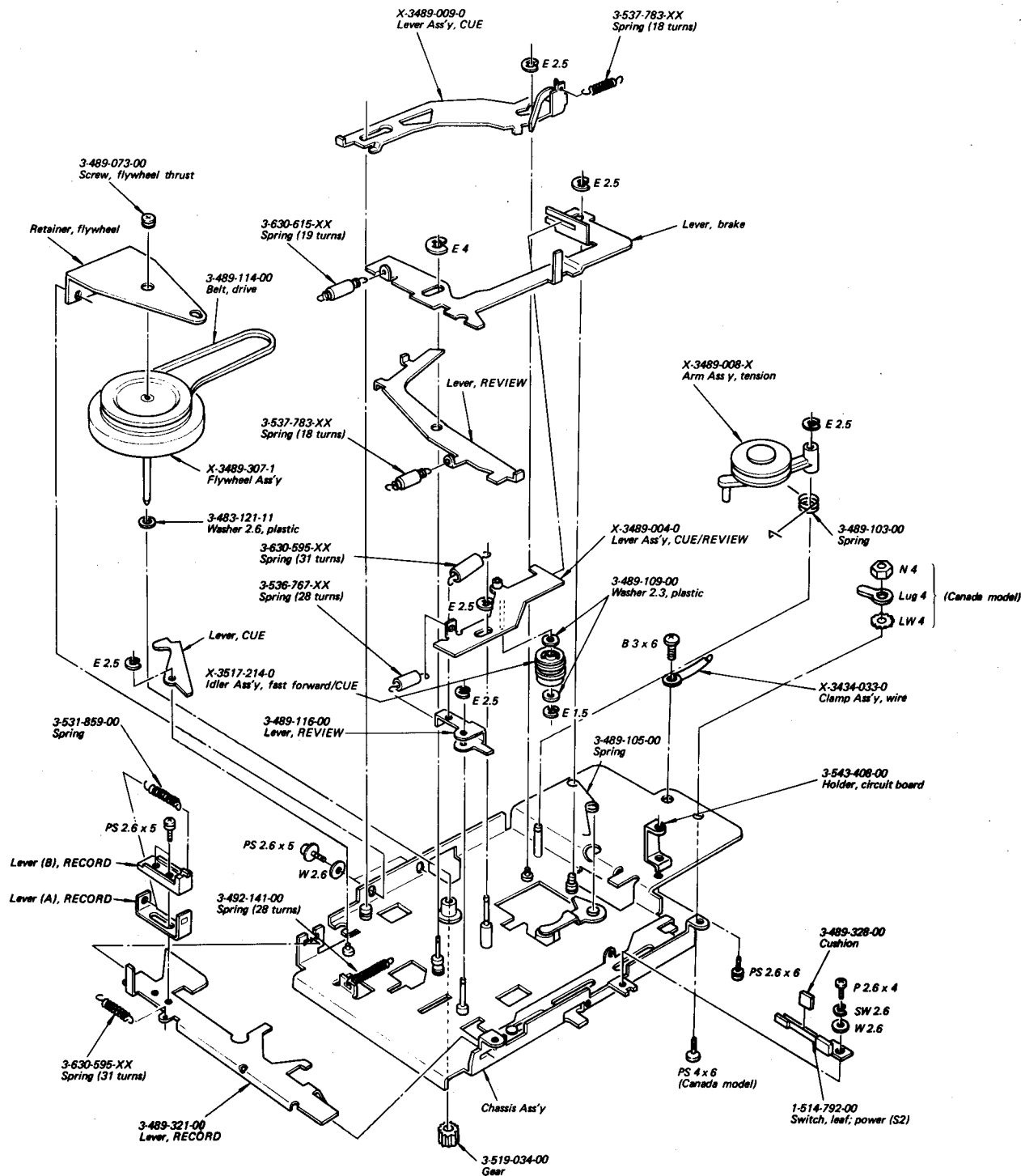
**Note:**

- All capacitors are in  $\mu\text{F}$  unless otherwise noted. 50 or less working volts are omitted except for electrolytic type.  $\rho = \mu\mu\text{F}$
- All resistors are in  $\Omega$ ,  $\frac{1}{4}\text{W}$ , unless otherwise noted.  $k = 1,000$   $M = 1,000k$
- In using electret condenser microphone with red mark on side of case, connect resistor R1 shown with \* in parallel with R2.
- (N) indicates a low-noise resistor.
- Voltages are DC with respect to ground unless otherwise noted. Readings taken under no-signal conditions with a VOM (20  $k\Omega/V$ ). Readings in ( ) are in RECORD mode. Voltage variations may be noted due to normal production tolerances.
- AC voltage readings on bias oscillator circuit taken with a VTVM.
- — : B+ circuit
- Switch Mode:

Ref. No.	Switch	Mode
S1	RECORD/playback	PLAYBACK
S2	power	OFF
S3	AC/DC	DC
S4	START/STOP	START
S5	Voltage Selector	



5-2.



**Note:**

- Items with no part number and/or items with no part number and no description are seldom required for routine service and are not stocked at local part depots. Allow extra time for delivery of these parts.
- All screws are Phillips (cross recess) type unless otherwise noted. (-) = slotted head