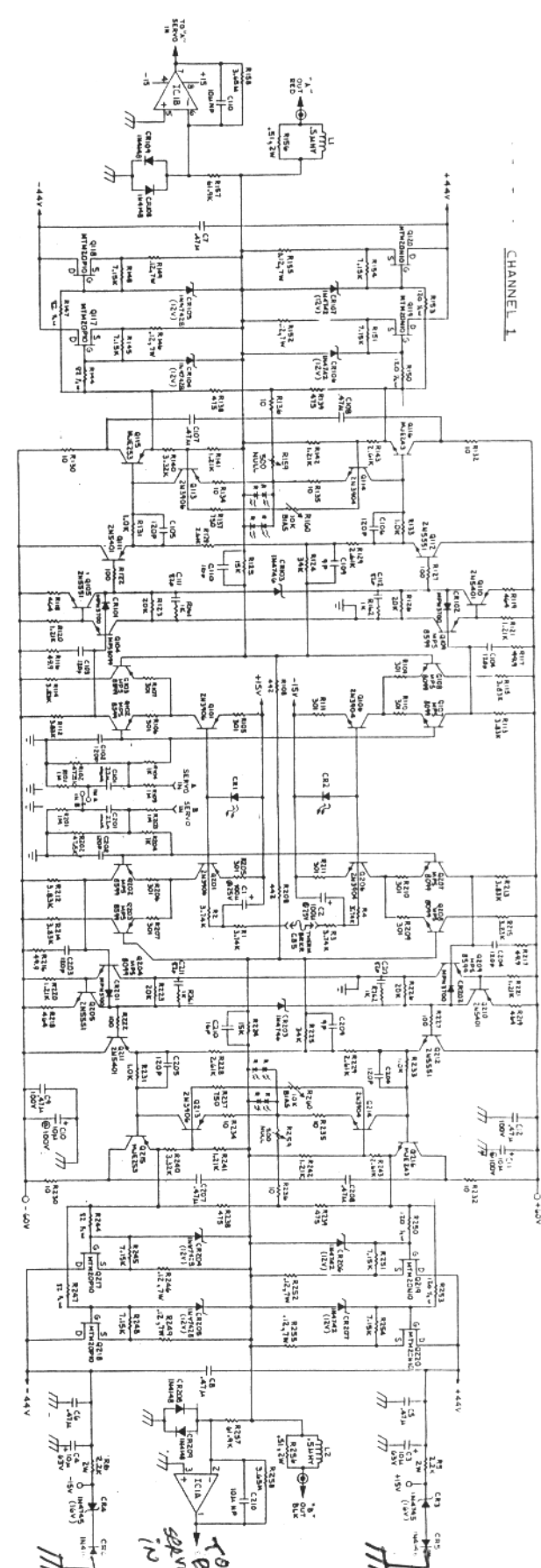
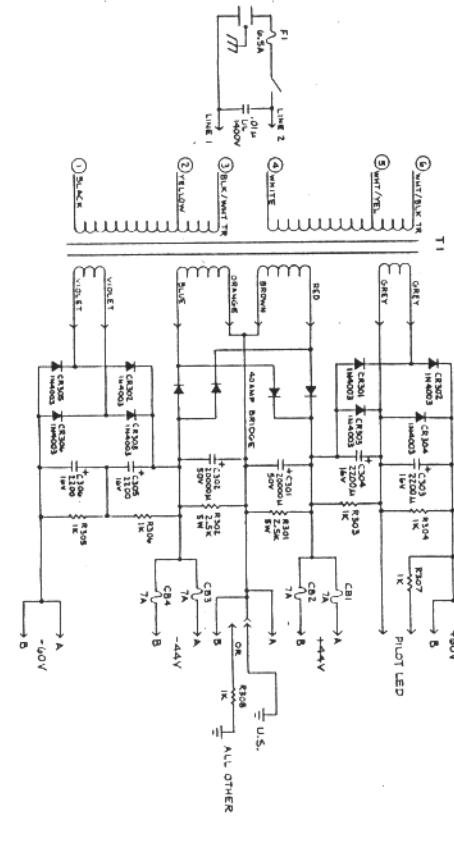


CHANNEL 1



CHANNEL 2 (SAME AS CHANNEL 1)

POWER SUPPLY



TRANSFORMER (T1) WINDINGS		HOOKUPS	
INPUT	100 VOLTS	100 VOLTS	200 VOLTS
JOIN	BLACK AND WHITE	BLACK TO WHITE	BLACK TO WHITE
CONNECT	YELLOW TO WHT/YEL	BLACK/WHIT TO WHT/BLK	YELLOW TO WHITE
TO	BLACK AND WHITE	BLACK AND WHITE	BLACK
LINE 1	YELLOW WHT/YEL	BLK/WHIT	BLACK
LINE 2	BLK/WHIT	WHT/BLK	BLACK
LINE 3	WHT/YEL	WHT/BLK	BLACK
LINE 4	BLK/WHIT	WHT/BLK	BLACK
LINE 5	WHT/YEL	WHT/BLK	BLACK
LINE 6	BLK/WHIT	WHT/BLK	BLACK
LINE 7	WHT/YEL	WHT/BLK	BLACK
LINE 8	BLK/WHIT	WHT/BLK	BLACK
LINE 9	WHT/YEL	WHT/BLK	BLACK
LINE 10	BLK/WHIT	WHT/BLK	BLACK

- NOTES:
1. ALL RESISTANCE VALUES ARE IN OHMS.
 2. ALL CAPACITANCE VALUES ARE IN FARADS.

SUMO ANDROMEDA II
11/23/89