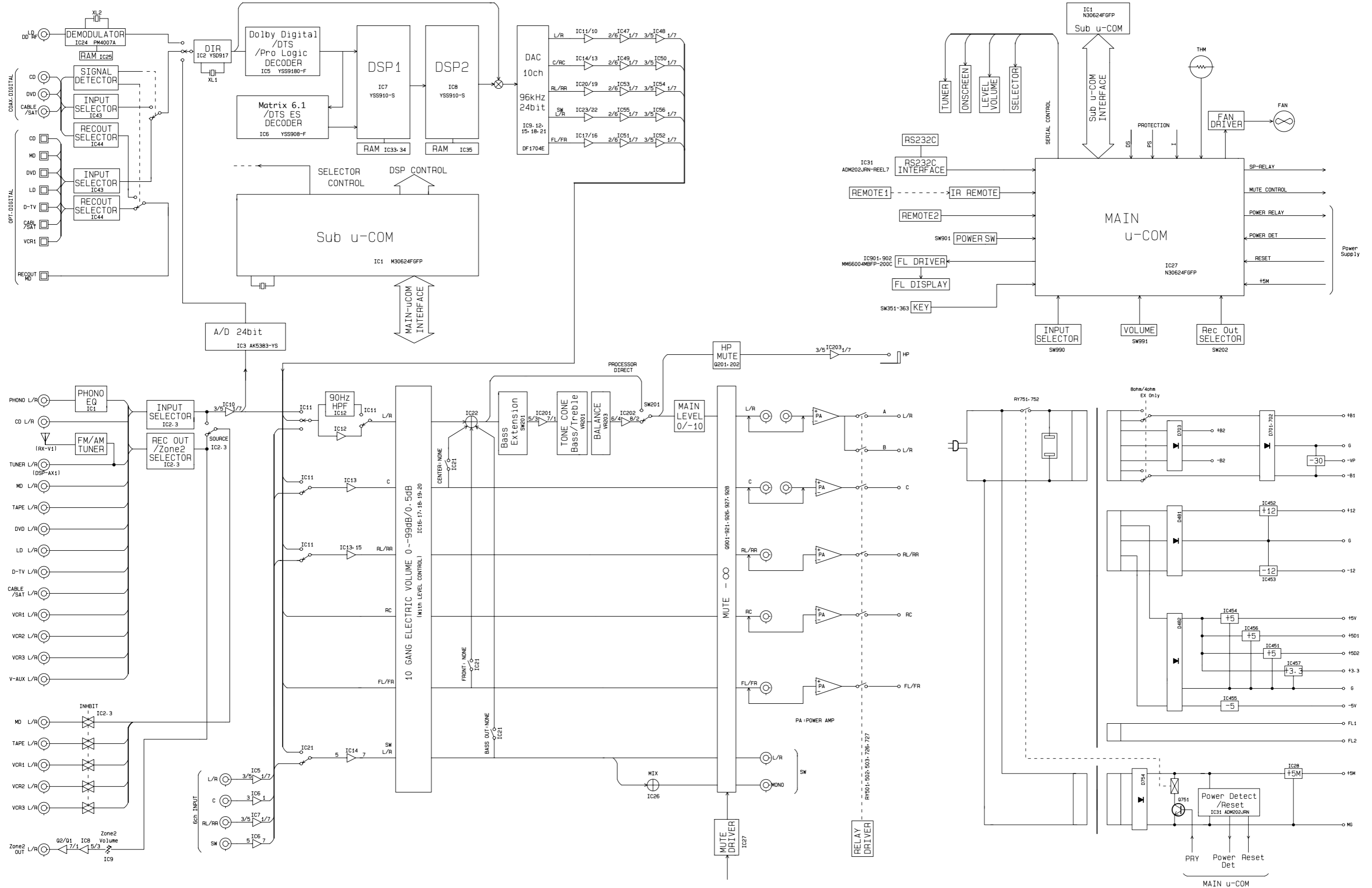
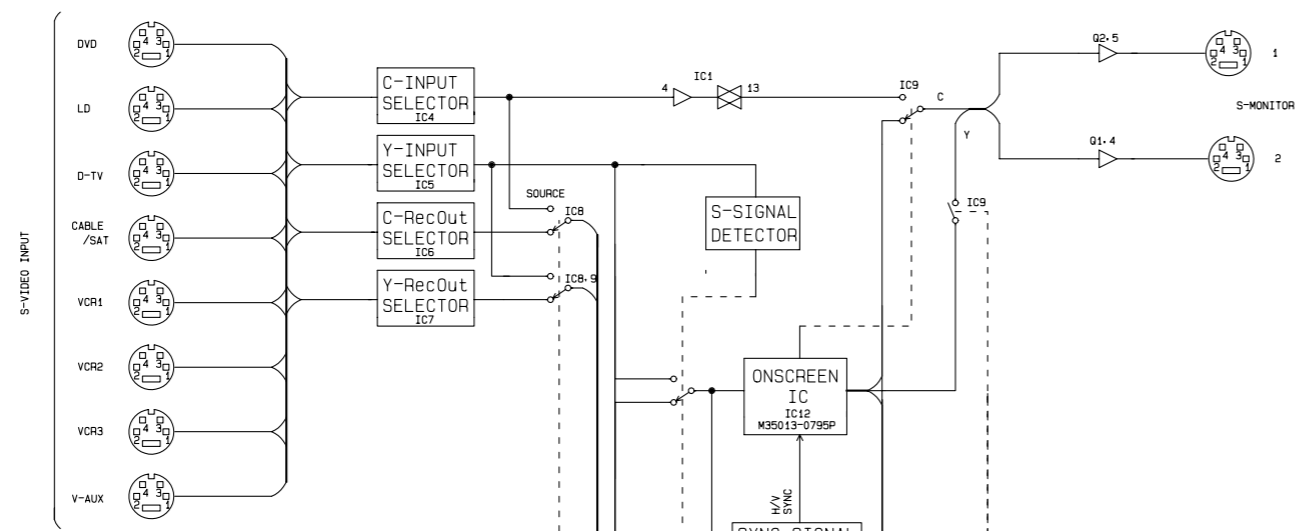


■ BLOCK DIAGRAM

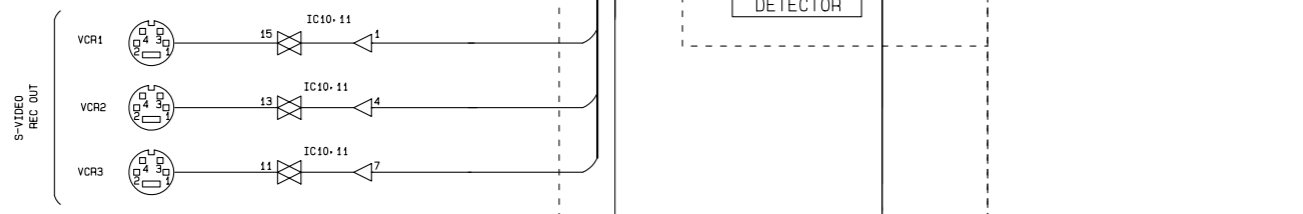


BLOCK DIAGRAM

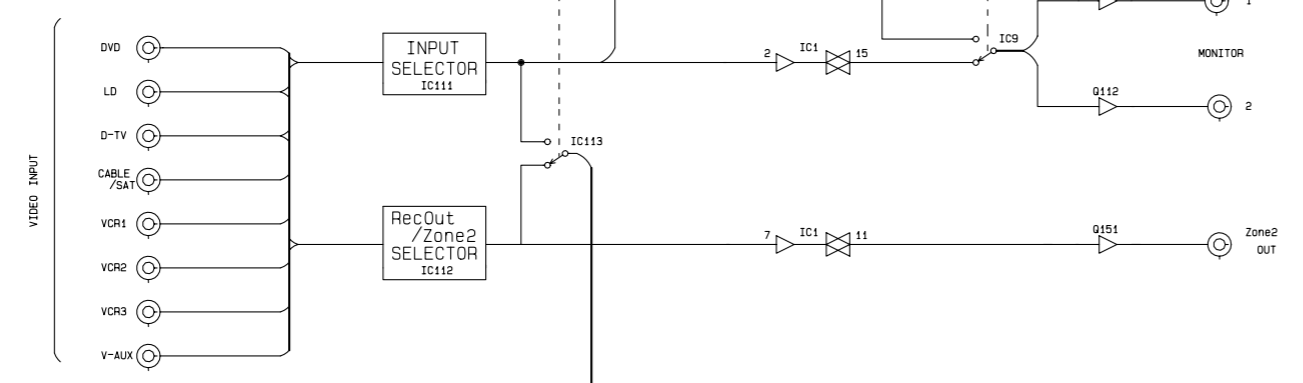
1



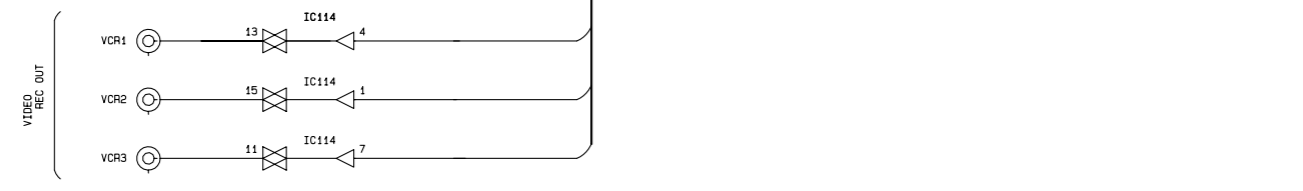
2



3

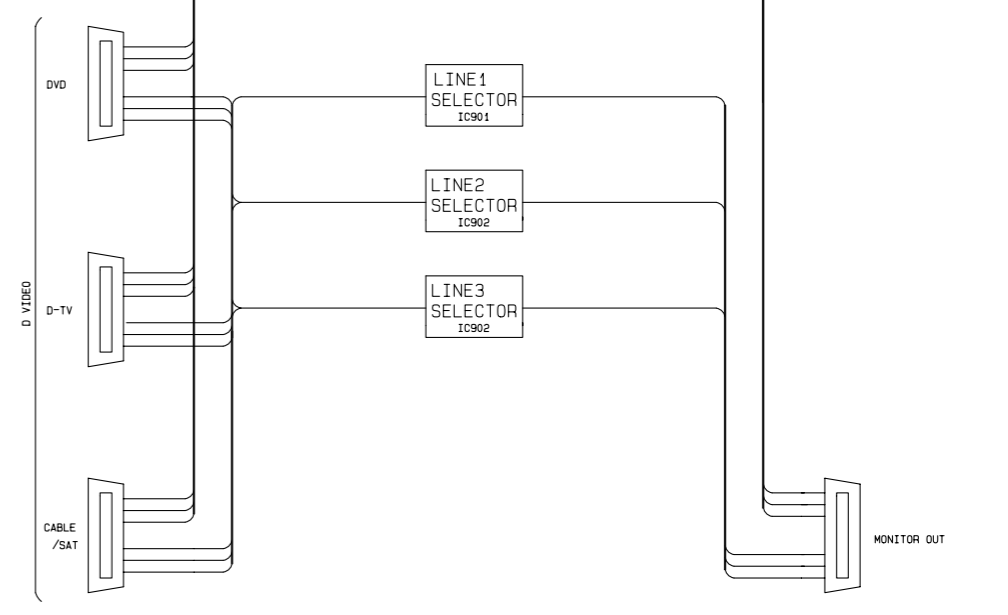
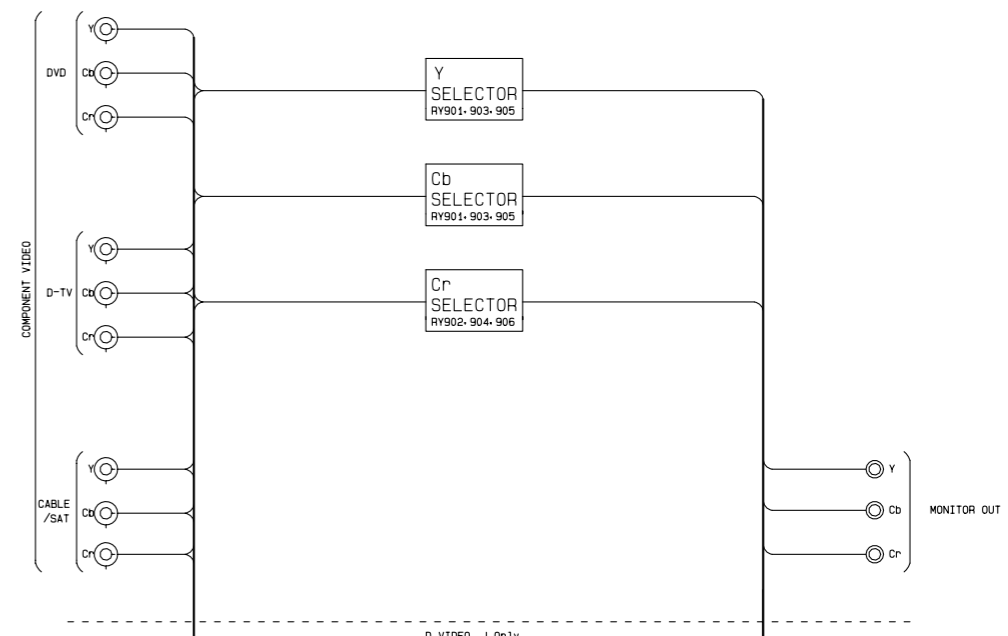


4

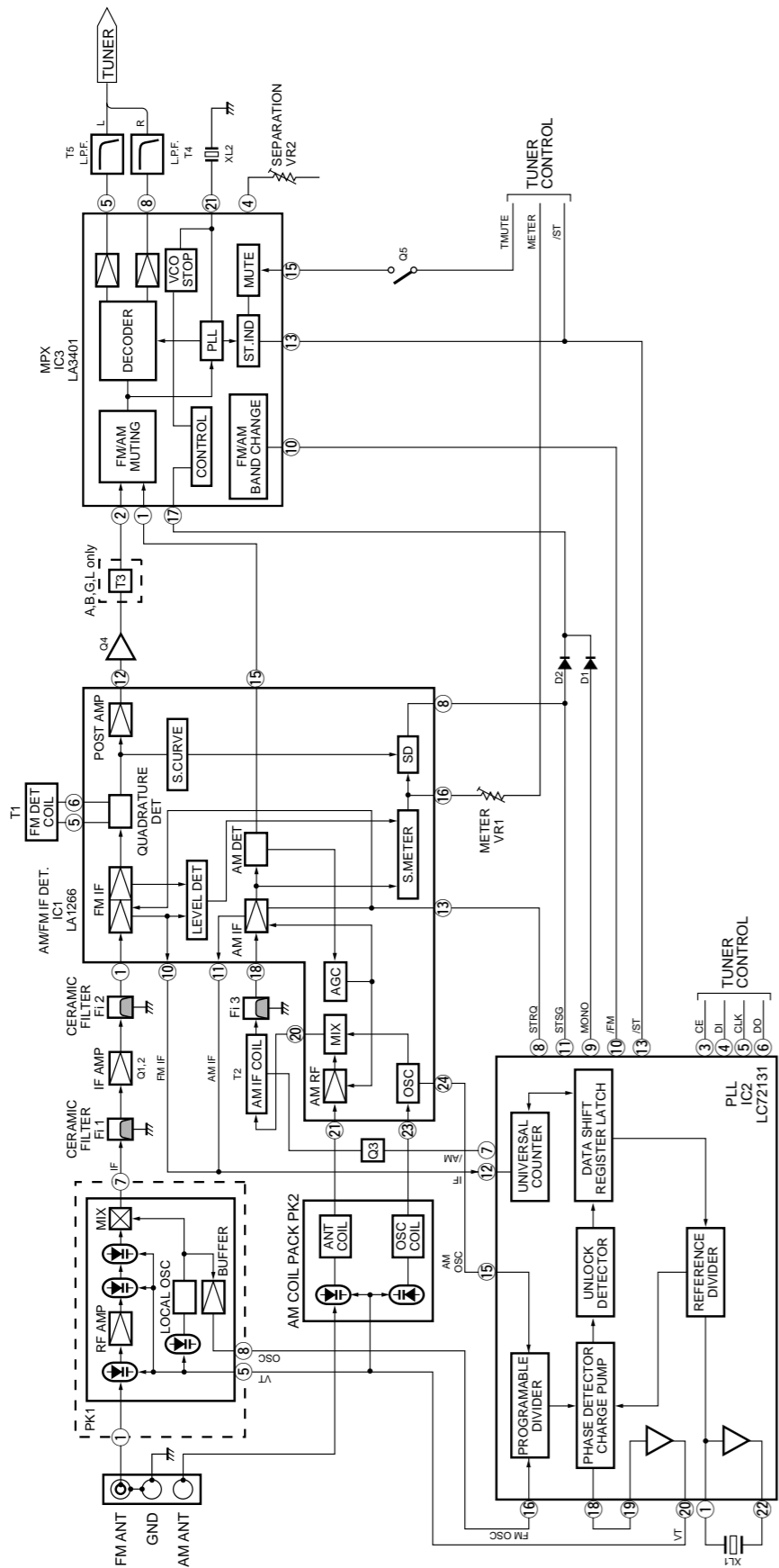


5

6

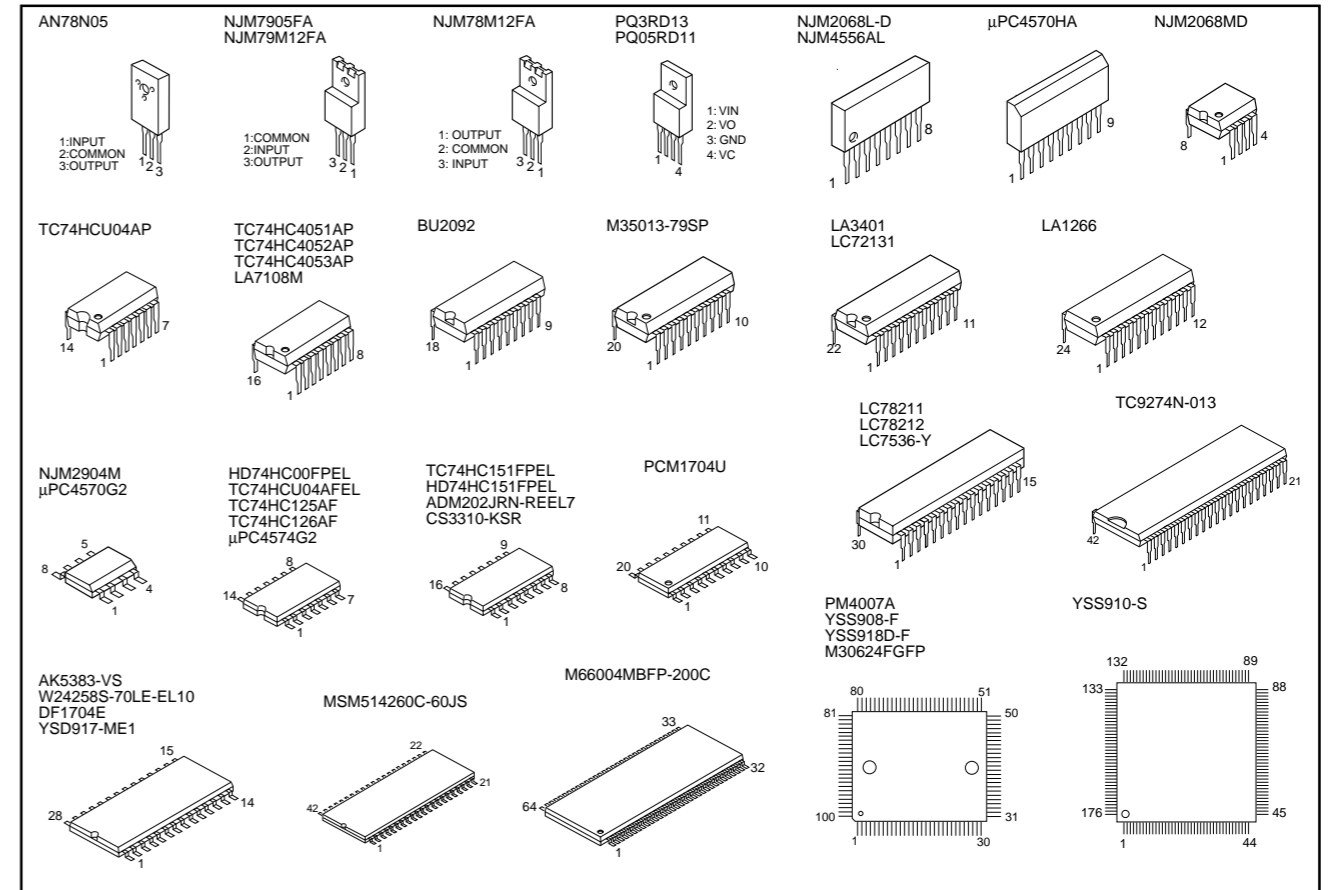


■ BLOCK DIAGRAM (TUNER : RX-V1 only)

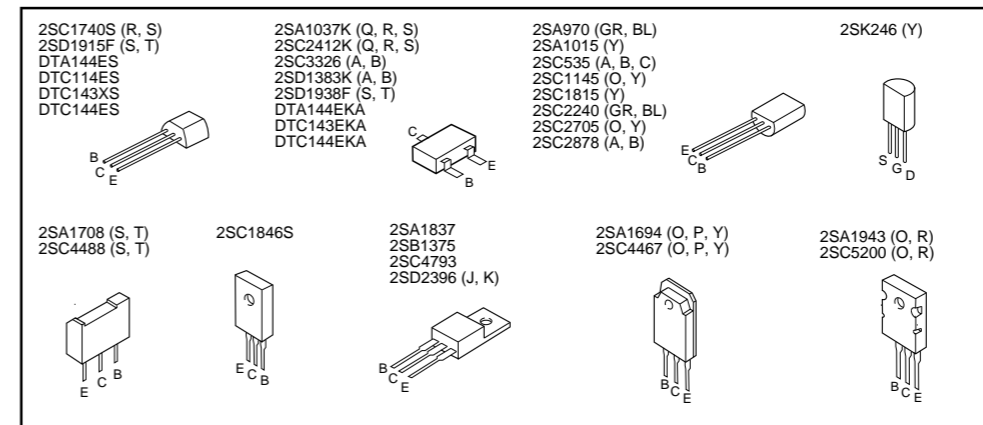


■ PIN CONNECTION DIAGRAM

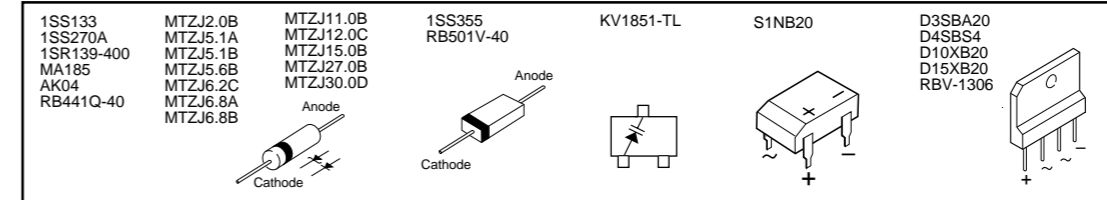
● ICs



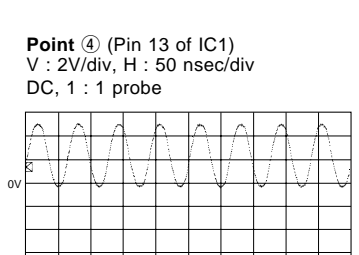
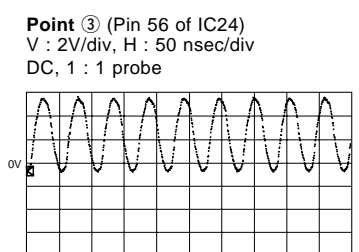
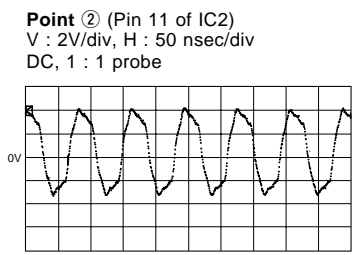
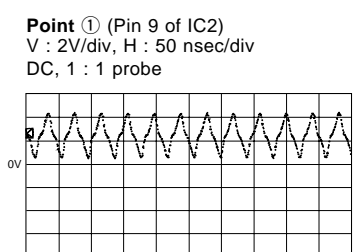
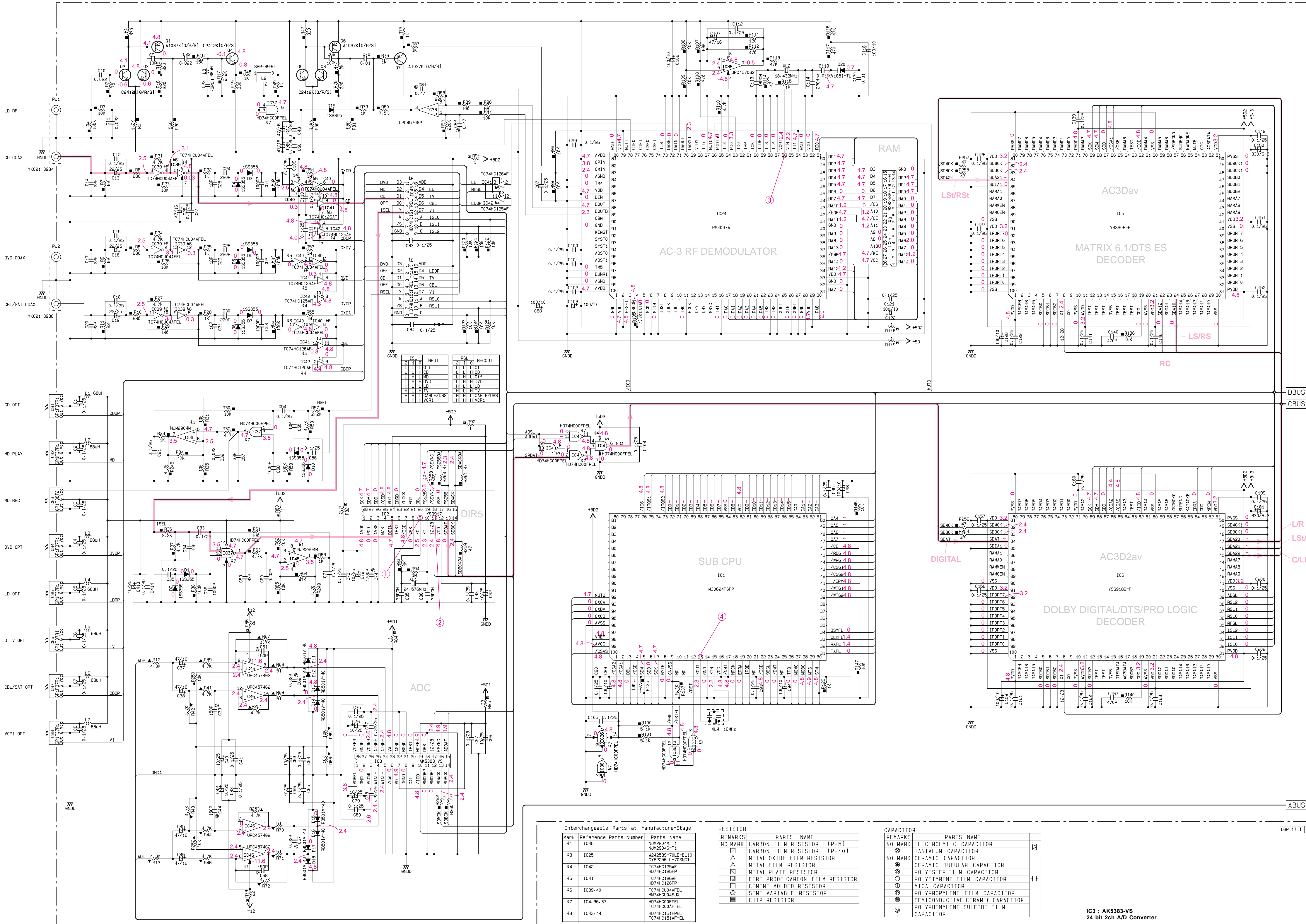
● Transistors



● Diodes

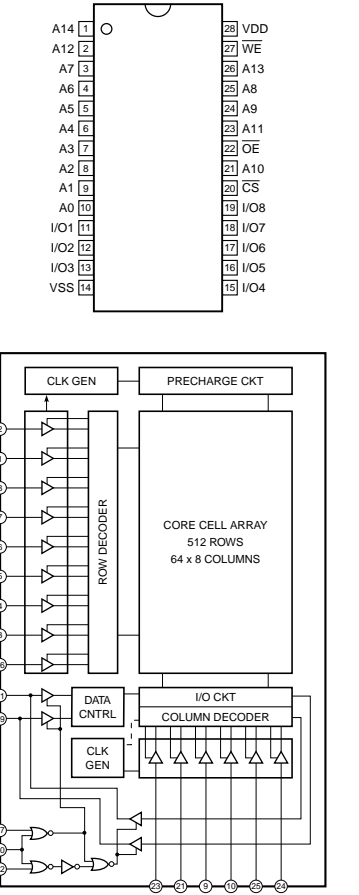


SCHEMATIC DIAGRAM (DSP(1)-1)



IC25 : W24258S-70LE-EL10

32K X 8 bits Static RAM



Interchangeable Parts at Manufacturer's Stage

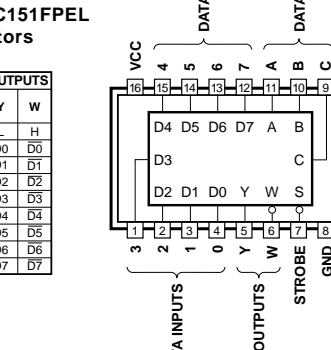
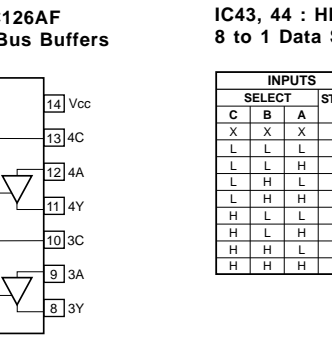
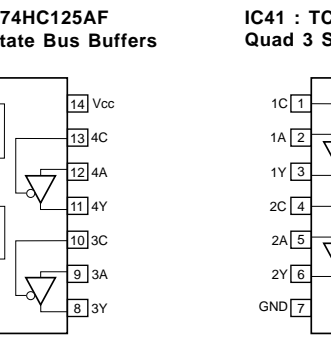
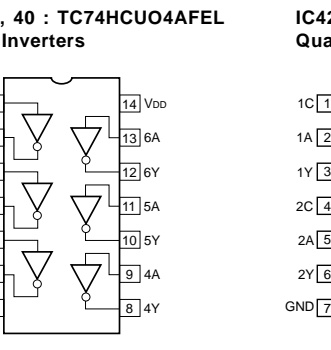
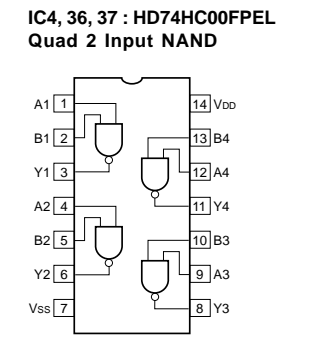
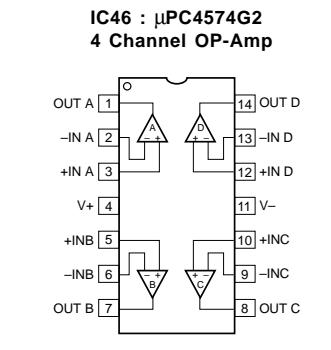
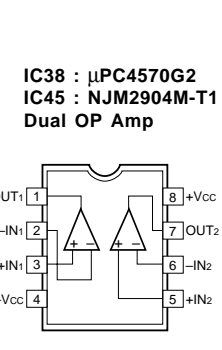
| Mark | Reference Parts Number | Parts Name |
|------|------------------------|-------------------|
| 41 | IC46 | NJM2904M-T1 |
| 43 | IC25 | W24258S-70LE-EL10 |
| 44 | IC42 | TC74HC125AF |
| 45 | IC41 | TC74HC126AF |
| 46 | IC39-40 | TC74HC04AFEL |
| 47 | IC4-36-37 | HD74HC00FPEL |
| 48 | IC43-44 | HD74HC151FPEL |

RESISTOR

| MARK | PARTS NAME |
|---------|---------------------------------|
| NO MARK | CARBON FILM RESISTOR [P=5] |
| NO MARK | CARBON FILM RESISTOR [P=10] |
| △ | METAL OXIDE FILM RESISTOR |
| □ | METAL FILM RESISTOR |
| □ | METAL PLATE RESISTOR |
| □ | FIRE-PROOF CARBON FILM RESISTOR |
| □ | CEMENT MOLDED RESISTOR |
| □ | SEMI-VARIABLE RESISTOR |
| ■ | CHIP RESISTOR |

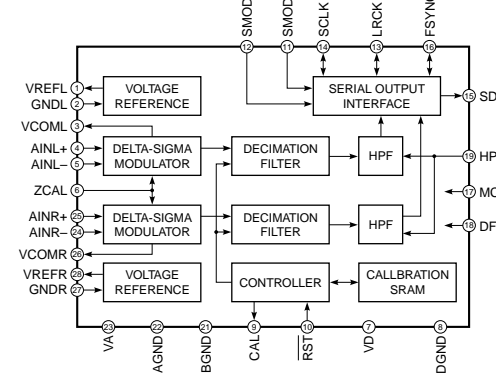
CAPACITOR

| MARK | PARTS NAME |
|---------|--------------------------------------|
| NO MARK | ELECTROLYTIC CAPACITOR |
| ⊗ | TANTALUM CAPACITOR |
| NO MARK | CERAMIC CAPACITOR |
| ⊙ | CERAMIC TUBULAR CAPACITOR |
| ⊙ | POLYESTER FILM CAPACITOR |
| ⊙ | FIRE-PROOF CARBON FILM CAPACITOR |
| ⊙ | MICA CAPACITOR |
| ⊙ | POLYPROPYLENE FILM CAPACITOR |
| ⊙ | SEMICONDUCTIVE CERAMIC CAPACITOR |
| ⊙ | POLYPHENYLENE SULFIDE FILM CAPACITOR |



IC3 : AK583-VS

24 bit 2ch A/D Converter



All voltage are measured with a 10M Ω /V DC electric volt meter.
Components having special characteristics are marked with Δ , and must be replaced with parts having specifications equal to those originally installed.
Schematic diagram is subject to change without notice.

SCHEMATIC DIAGRAM (DSP(1)-2)

RAM

RAM

RAM

DSP6

DSP6

IC7

YSS910-S

IC8

YSS910-S

RESISTOR

| REMARKS | PARTS NAME |
|---------|---------------------------------|
| NO MARK | CARBON FILM RESISTOR (P=5) |
| □ | CARBON FILM RESISTOR (P=10) |
| △ | METAL OXIDE FILM RESISTOR |
| ○ | METAL FILM RESISTOR |
| ■ | METAL PLATE RESISTOR |
| ▨ | FIRE-PROOF CARBON FILM RESISTOR |
| ⊠ | CEMENT MOLDED RESISTOR |
| ⊞ | SEMI-VARIABLE RESISTOR |
| ⊞ | CHIP RESISTOR |

CAPACITOR

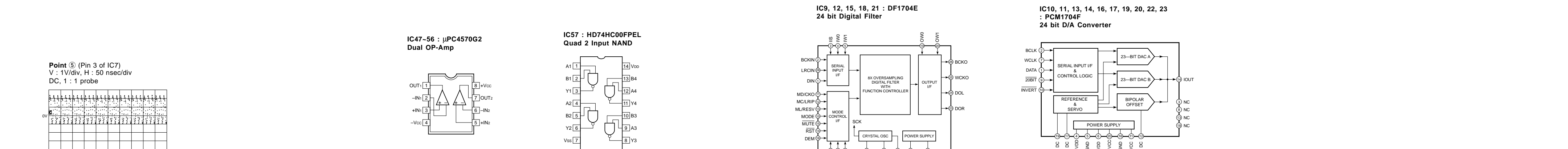
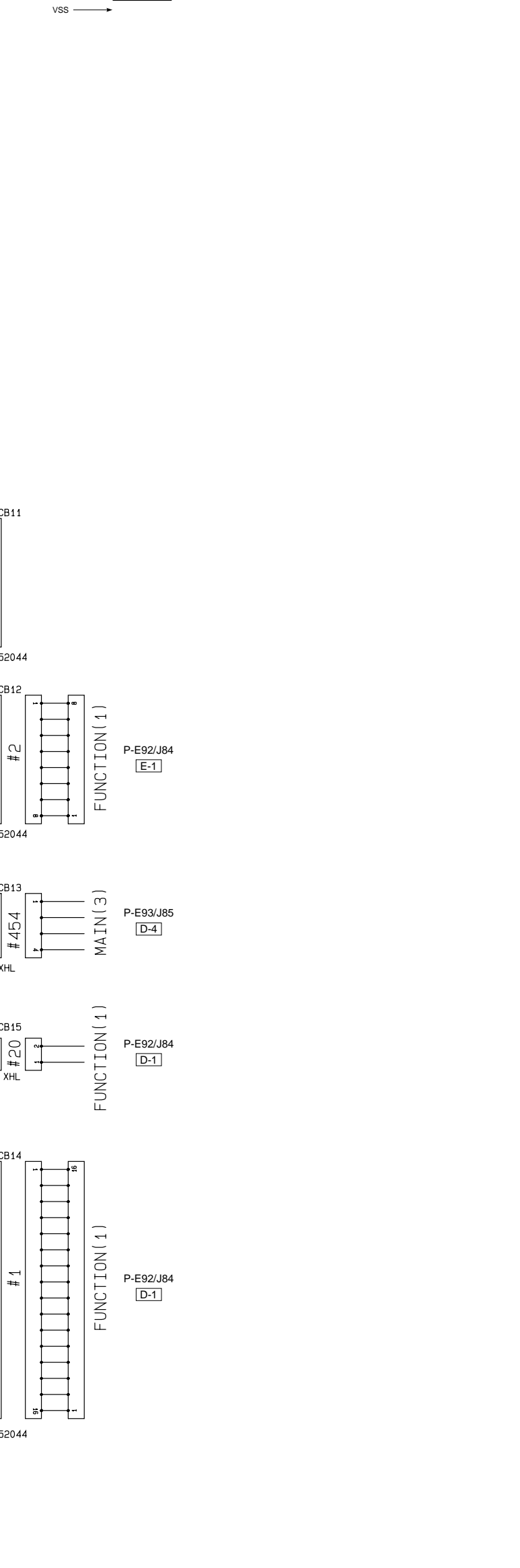
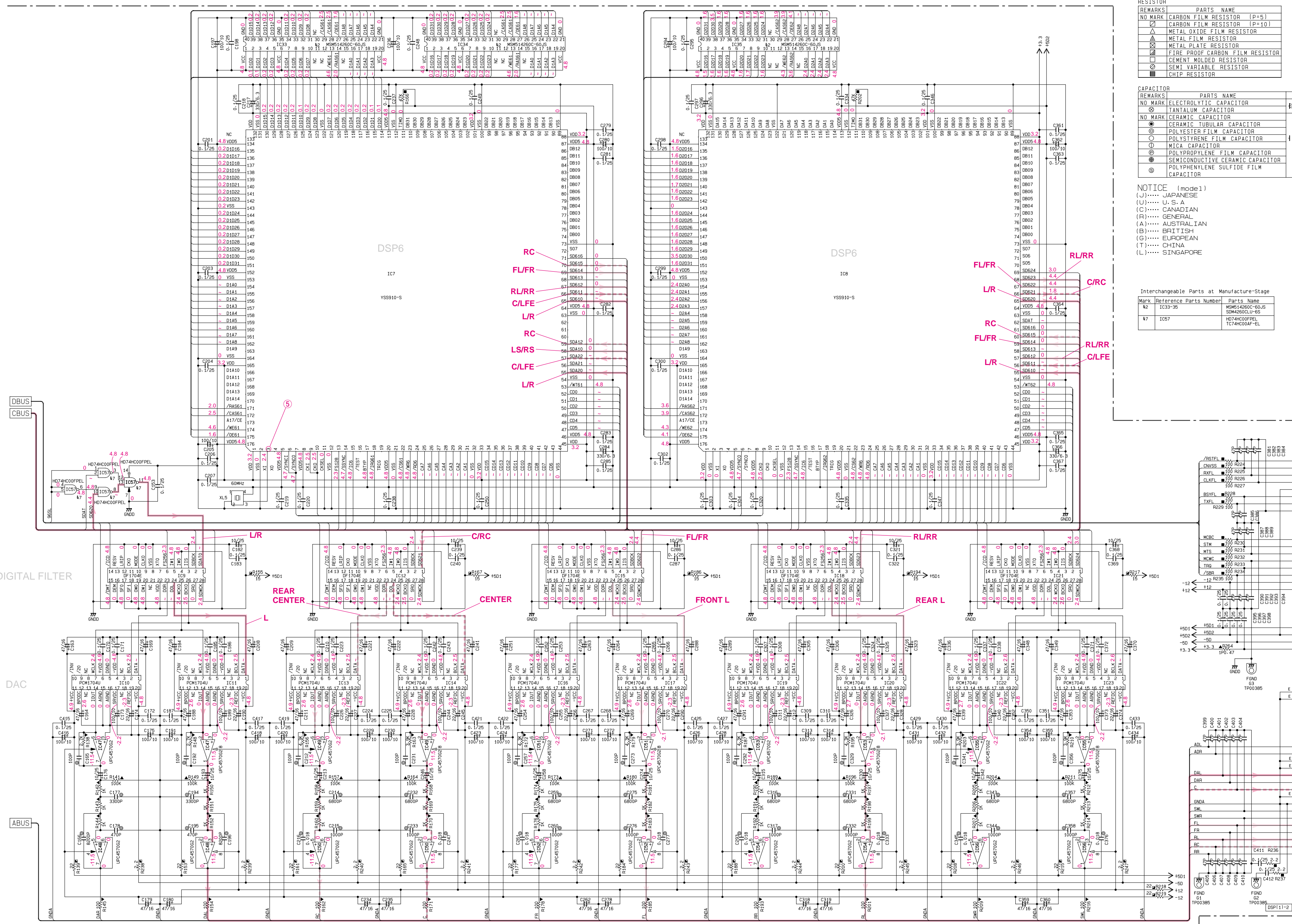
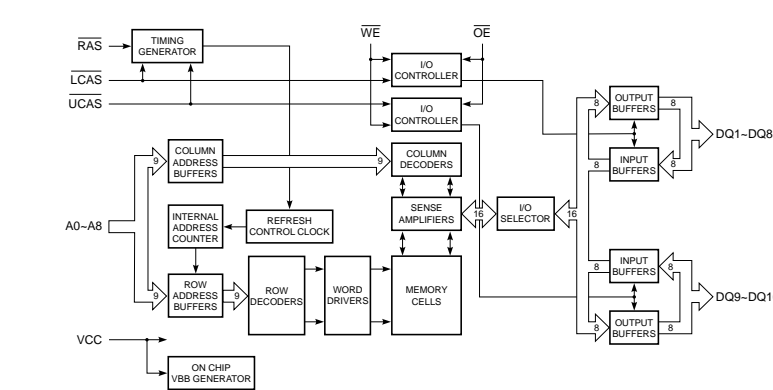
| REMARKS | PARTS NAME |
|---------|--------------------------------------|
| NO MARK | ELECTROLYTIC CAPACITOR |
| ⊗ | TANTALUM CAPACITOR |
| ⊙ | CERAMIC CAPACITOR |
| ⊚ | CERAMIC TUBULAR CAPACITOR |
| ⊖ | POLYSTYRENE FILM CAPACITOR |
| ⊕ | MICA CAPACITOR |
| ⊖ | POLYPROPYLENE FILM CAPACITOR |
| ⊕ | SEMICONDUCTIVE CERAMIC CAPACITOR |
| ⊖ | POLYPHENYLENE SULFIDE FILM CAPACITOR |

NOTICE (model)

(J)..... JAPANESE
(U)..... U.S.A
(C)..... CANADIAN
(R)..... GENERAL
(A)..... AUSTRALIAN
(B)..... BRITISH
(G)..... EUROPEAN
(T)..... CHINA
(L)..... SINGAPORE

Interchangeable Parts at Manufacture-Stage

| Mark | Reference Parts Number | Parts Name |
|------|------------------------|-------------------------------|
| 42 | IC33-35 | MSM514260C-60JS |
| 47 | IC57 | HD74HC00FPEL TC74HC00AP-EL |



* All voltage are measured with a 10MΩ/V DC electric voltmeter.
 * Components having special characteristics are marked with a triangle and must be replaced with parts having specifications equal to those originally installed.
 * Schematic diagram is subject to change without notice.

SCHEMATIC DIAGRAM (FUNCTION)

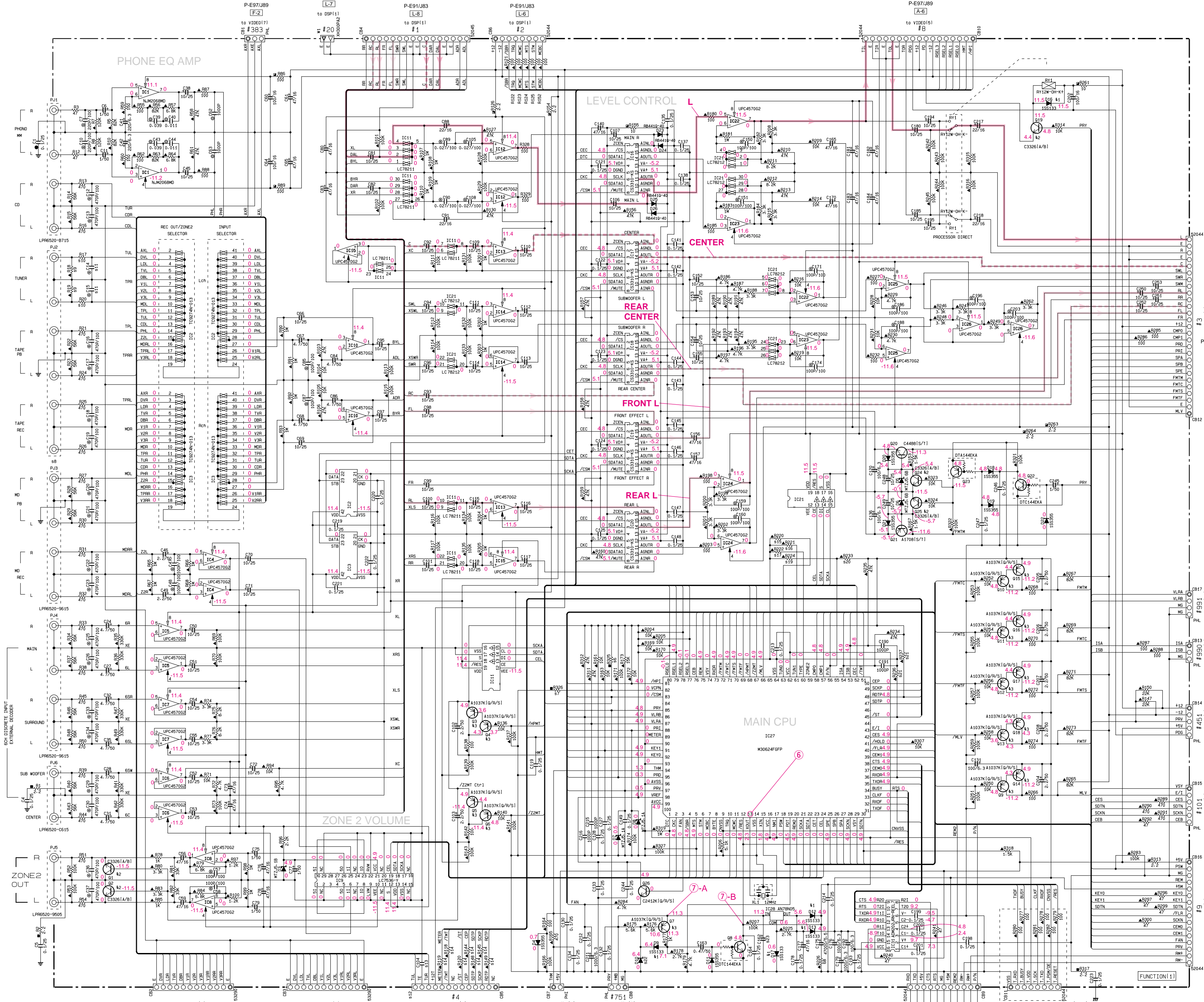


Table with 2 columns: CAPACITOR and RESISTOR. Lists various capacitor and resistor types and their part numbers.

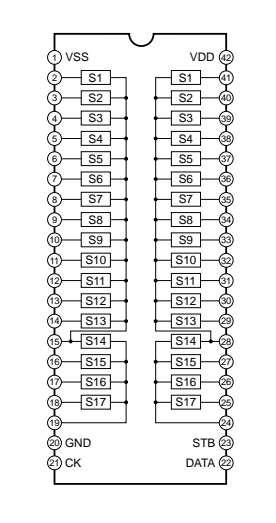
Table with 2 columns: CAPACITOR and RESISTOR. Lists various capacitor and resistor types and their part numbers.

NOTICE (model) (J)..... JAPANESE (U)..... U. S. A (C)..... CANADIAN (R)..... GENERAL (A)..... AUSTRALIAN (B)..... BRITISH (G)..... EUROPEAN (T)..... CHINA (L)..... SINGAPORE

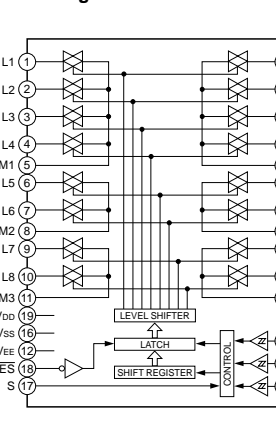
Table with 2 columns: CIRCUIT CHANGES BY MARKET and X: NOT USED. Lists circuit changes for different markets.

Table with 2 columns: Interchangeable Parts at Manufacture-Stage and Part Name. Lists interchangeable parts and their names.

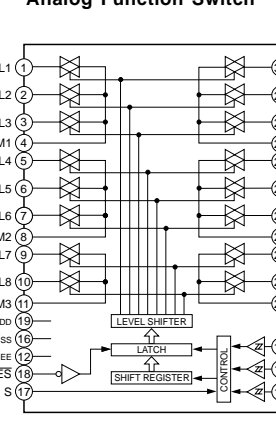
IC3 : TC9274N-013 Analog Function Switch



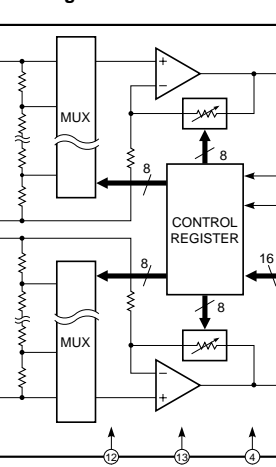
IC11 : LC78211 Analog Function Switch



IC21 : LC78212 Analog Function Switch



IC16-20 : CS3310-KS Stereo Digital Volume Control



IC9 : LC7536-Y Electric Controlled Volume

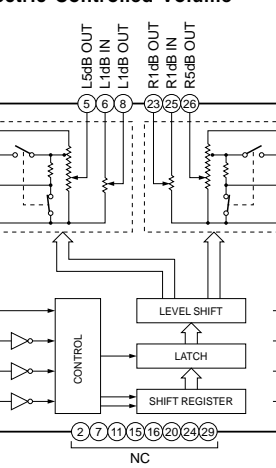
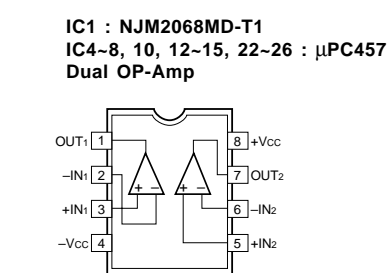
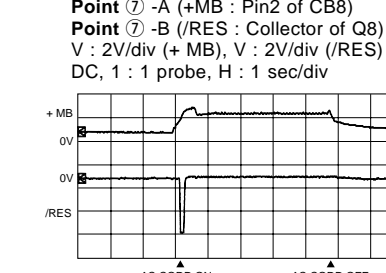
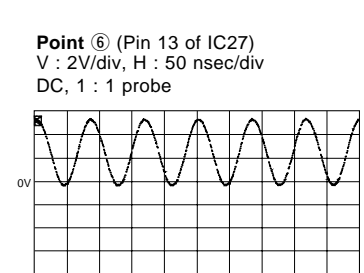
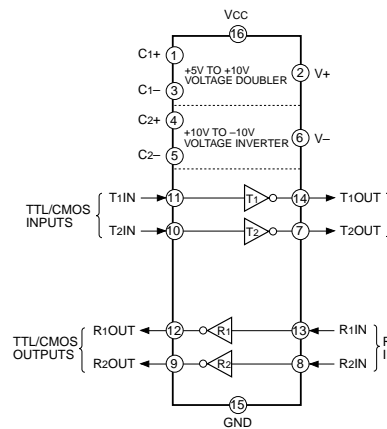


Table with 2 columns: LAST NO. and LISTED NO. Lists last and listed numbers for various components.

Table with 2 columns: LAST NO. and LISTED NO. Lists last and listed numbers for various components.

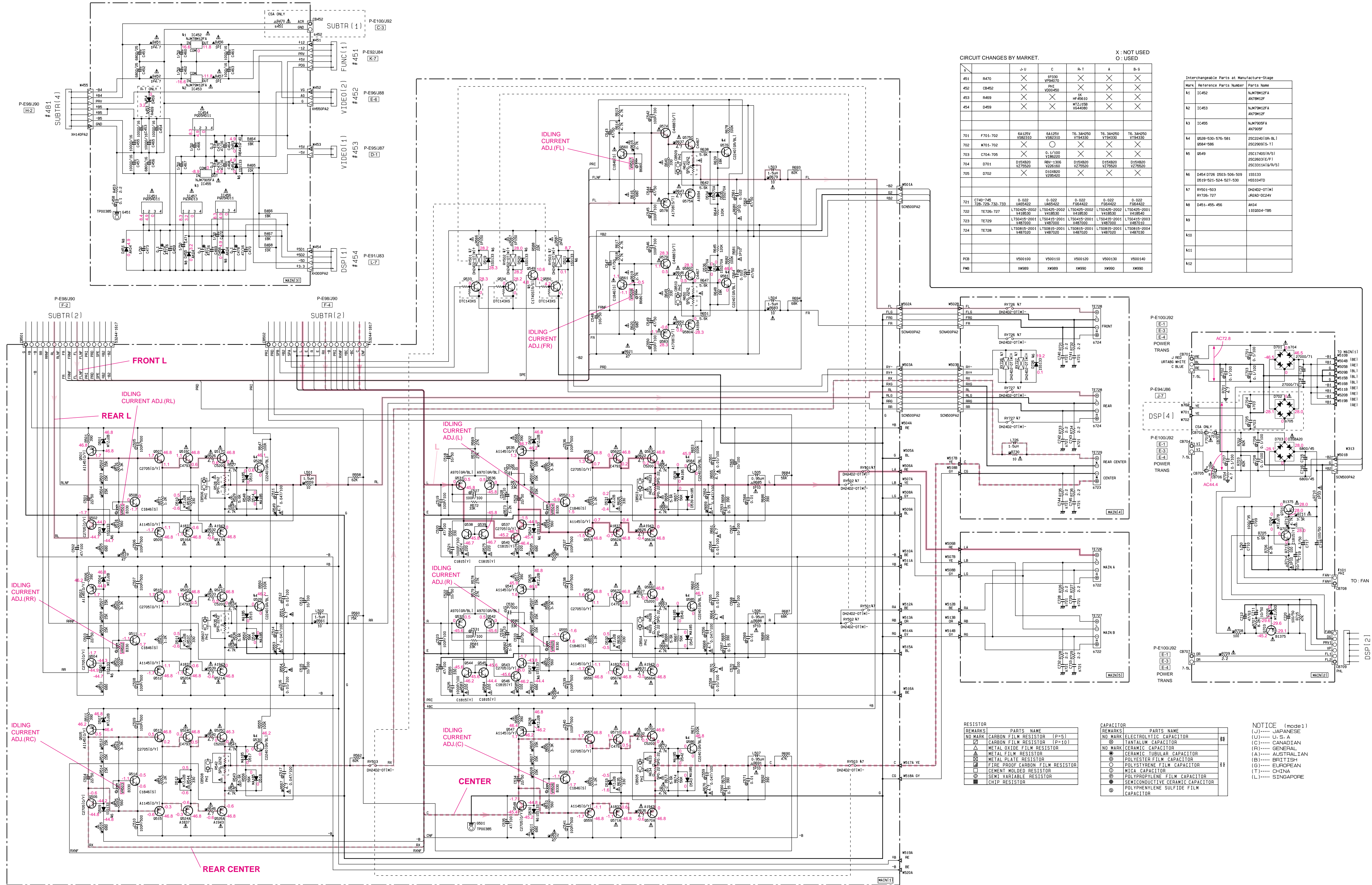


IC31 : ADM202JRN-REEL RS-232 Line Drive/Receiver



All voltage are measured with a 10MΩ/V DC electric volt meter. Components having special characteristics are marked with a triangle and must be replaced with parts having specifications equal to those originally installed. Schematic diagram is subject to change without notice.

SCHEMATIC DIAGRAM (MAIN)



CIRCUIT CHANGES BY MARKET.

| | J-U | C | R-T | A | B-G |
|-----|-----------|--------------|--------------|--------------|--------------|
| 451 | R470 | X | FP330 | X | X |
| 452 | CB452 | X | PH1 | X | X |
| 453 | W619 | X | VF100450 | X | X |
| 454 | D459 | X | VF100450 | X | X |
| 701 | F701-702 | 6A125V | 6A125V | T6.3A4050 | T6.3A4050 |
| 702 | W701-702 | Y802110 | Y802110 | Y184330 | Y184330 |
| 703 | C704-705 | X | X | X | X |
| 704 | D701 | D158B20 | RV1-1306 | D158B20 | D158B20 |
| 705 | D702 | X | D104B20 | V27500 | V27500 |
| 721 | C740-746 | 0.022 | 0.022 | 0.022 | 0.022 |
| 722 | TE726-727 | LS10445-2002 | LS10445-2002 | LS10445-2002 | LS10445-2001 |
| 723 | TE729 | LS10445-2001 | LS10445-2001 | LS10445-2001 | LS10445-2003 |
| 724 | TE728 | LS10445-2001 | LS10445-2001 | LS10445-2001 | LS10445-2004 |
| PCB | Y500100 | Y500110 | Y500120 | Y500130 | Y500140 |
| PMI | XW989 | XW989 | XW990 | XW990 | XW990 |

X : NOT USED
O : USED

Interchangeable Parts at Manufacture-Stage

| Mark | Reference Parts Number | Parts Name |
|------|------------------------|-----------------|
| k1 | IC452 | NJM78M12FA |
| k2 | IC453 | NJM78M12FA |
| k3 | IC455 | NJM7805FA |
| k4 | Q528-Q30-576-581 | 2SC2240 (Gr-RL) |
| k5 | Q549 | 2SC1740S (Gr-S) |
| k6 | D454-D726 | D503-506-509 |
| k7 | RY501-503 | HS104TD |
| k8 | RY726-727 | 2SC2240 (Gr-S) |
| k9 | D451-455-456 | AK4 |
| k10 | | 1E6504-TBS |
| k11 | | |
| k12 | | |

RESISTOR

| REMARKS | PARTS NAME |
|---------|---------------------------------|
| NO MARK | CARBON FILM RESISTOR (P=5) |
| □ | CARBON FILM RESISTOR (P=10) |
| △ | METAL OXIDE FILM RESISTOR |
| ▲ | METAL FILM RESISTOR |
| ■ | METAL PLATE RESISTOR |
| □ | FIRE PROOF CARBON FILM RESISTOR |
| □ | CEMENT MOLDED RESISTOR |
| □ | SEMI VARIABLE RESISTOR |
| ■ | CHIP RESISTOR |

CAPACITOR

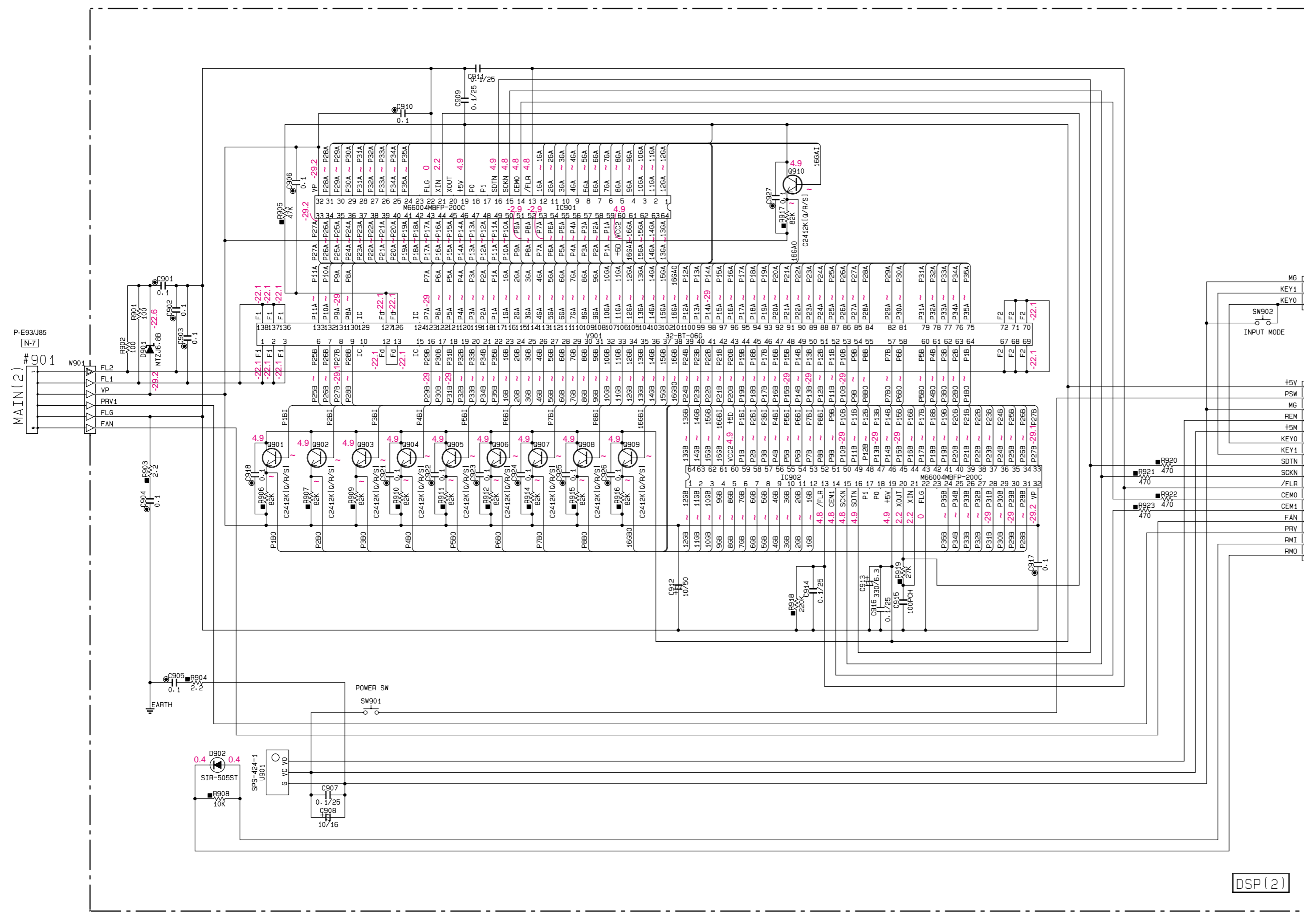
| REMARKS | PARTS NAME |
|---------|--------------------------------------|
| NO MARK | ELECTROLYTIC CAPACITOR |
| ⊗ | TANTALUM CAPACITOR |
| NO MARK | CERAMIC CAPACITOR |
| ⊙ | CERAMIC TUBULAR CAPACITOR |
| ⊙ | POLYESTER FILM CAPACITOR |
| ⊙ | POLYSTYRENE FILM CAPACITOR |
| ⊙ | MICA CAPACITOR |
| ⊙ | POLYPROPYLENE FILM CAPACITOR |
| ⊙ | SEMICONDUCTIVE CERAMIC CAPACITOR |
| ⊙ | POLYPHENYLENE SULFIDE FILM CAPACITOR |

NOTICE (mode1)

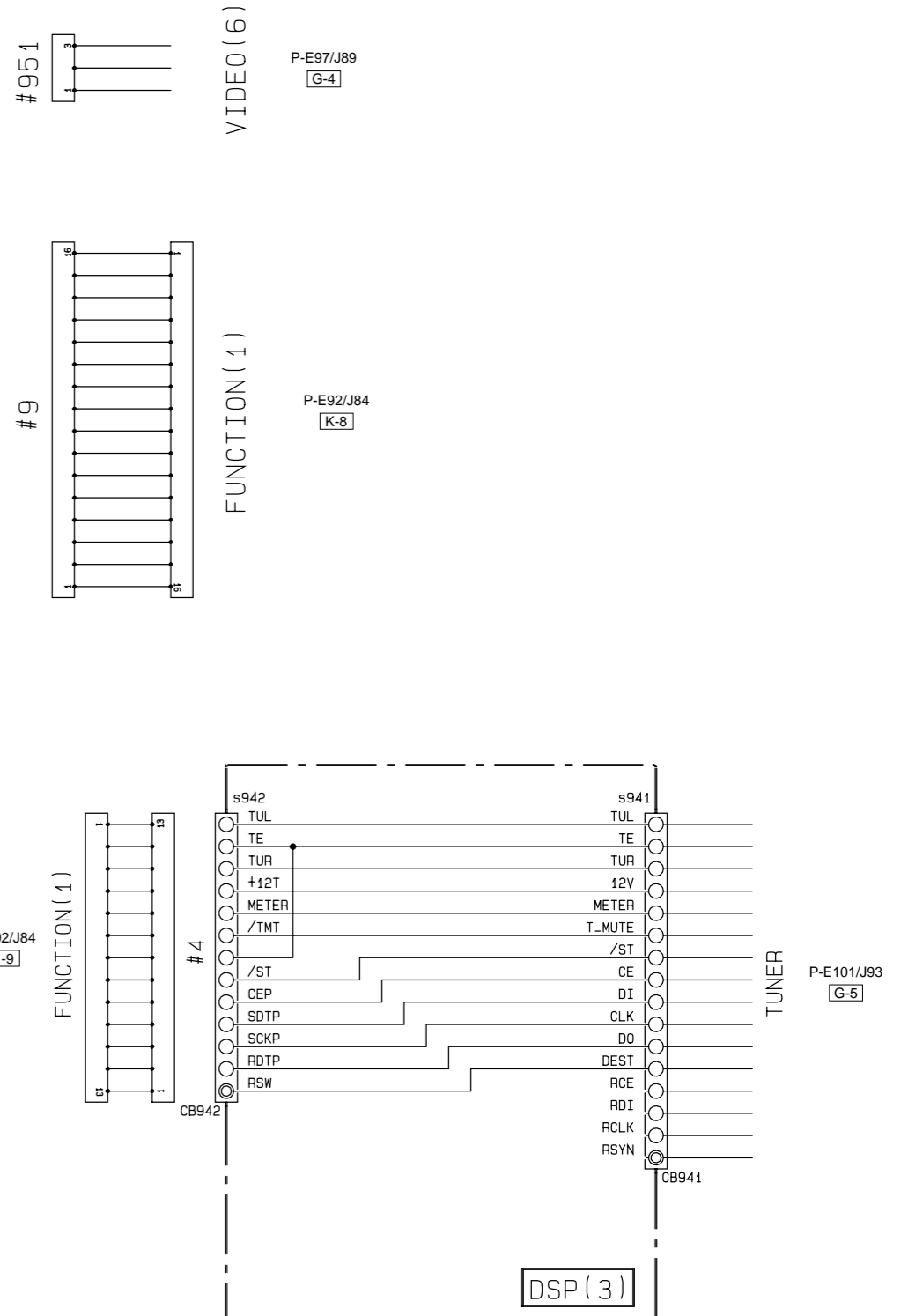
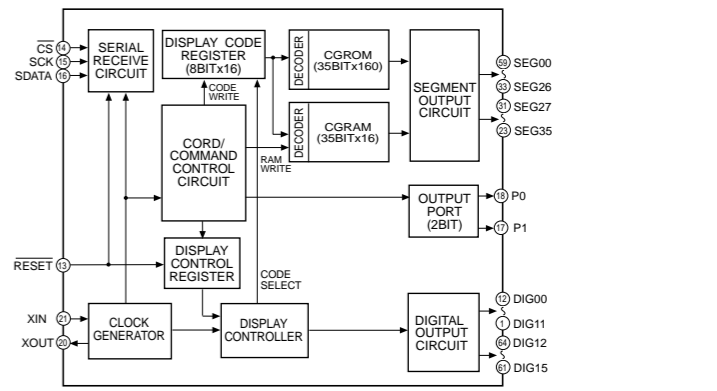
- (J)..... JAPANESE
- (U)..... U.S.A
- (C)..... CANADIAN
- (R)..... GENERAL
- (A)..... AUSTRALIAN
- (B)..... BRITISH
- (G)..... EUROPEAN
- (T)..... CHINA
- (L)..... SINGAPORE

- All voltage are measured with a 10MΩ/V DC electric volt meter.
- Components having special characteristics are marked △ and must be replaced with parts having specifications equal to those originally installed.
- Schematic diagram is subject to change without notice.

SCHEMATIC DIAGRAM (DSP(2))



IC901, 902 : M66004MBFP-200C FL Display Driver



RESISTOR

| REMARKS | PARTS NAME |
|---------|---------------------------------|
| NO MARK | CARBON FILM RESISTOR (P=5) |
| □ | CARBON FILM RESISTOR (P=10) |
| △ | METAL OXIDE FILM RESISTOR |
| ▲ | METAL FILM RESISTOR |
| ⊠ | METAL PLATE RESISTOR |
| ⊞ | FIRE PROOF CARBON FILM RESISTOR |
| □ | CEMENT MOLDED RESISTOR |
| ⊙ | SEMI VARIABLE RESISTOR |
| ■ | CHIP RESISTOR |

CAPACITOR

| REMARKS | PARTS NAME |
|---------|--------------------------------------|
| NO MARK | ELECTROLYTIC CAPACITOR |
| ⊗ | TANTALUM CAPACITOR |
| NO MARK | CERAMIC CAPACITOR |
| ⊙ | CERAMIC TUBULAR CAPACITOR |
| ⊚ | POLYESTER FILM CAPACITOR |
| ○ | POLYSTYRENE FILM CAPACITOR |
| ⊖ | MICA CAPACITOR |
| ⊕ | POLYPROPYLENE FILM CAPACITOR |
| ⊙ | SEMICONDUCTIVE CERAMIC CAPACITOR |
| ⊚ | POLYPHENYLENE SULFIDE FILM CAPACITOR |

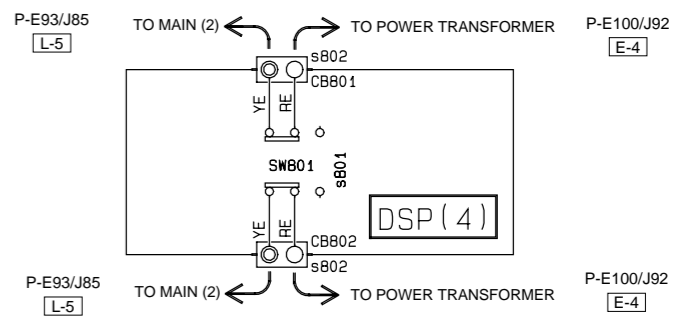
NOTICE (mode1)
 (J)..... JAPANESE
 (U)..... U. S. A.
 (C)..... CANADIAN
 (R)..... GENERAL
 (A)..... AUSTRALIAN
 (B)..... BRITISH
 (G)..... EUROPEAN
 (T)..... CHINA
 (L)..... SINGAPORE

CIRCUIT CHANGES BY MARKET. X: NOT USED

| s | Parts Number | J. R. T. B. G | U. A | C | Memo |
|-----|--------------|---------------|---------|---------|--------------------|
| 941 | CB941 | X | V096370 | V096370 | Tuner I/F Board |
| 942 | CB942 | X | VM92360 | VM92360 | Tuner I/F Board |
| 801 | SW801 | X | X | V207550 | Impedance Selector |
| 802 | CB801-802 | X | X | LA00200 | Impedance Selector |

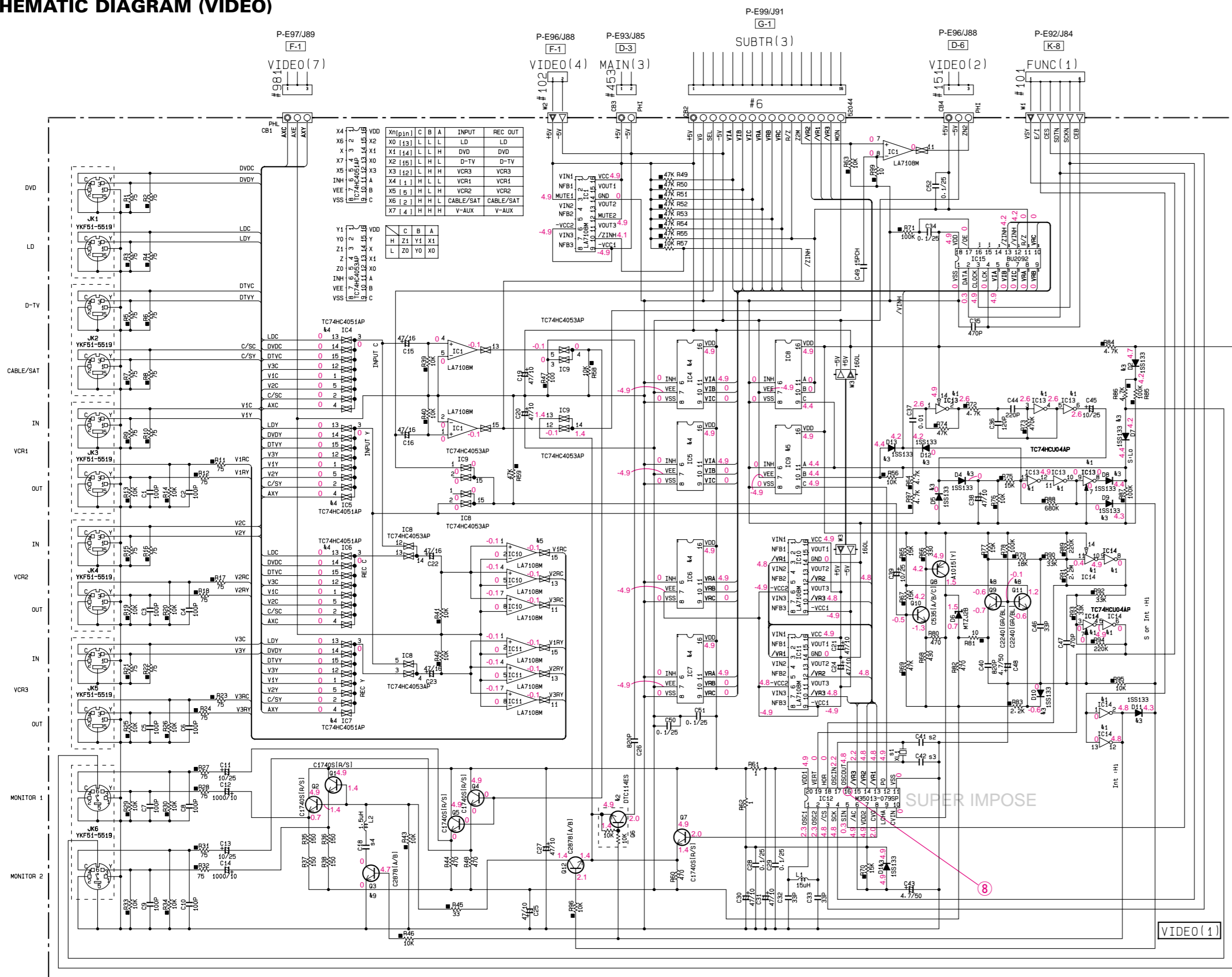
Interchangeable Parts at Manufacture-Stage

| Mark | Reference Parts Number | Parts Name |
|------|------------------------|------------|
| | | |



* All voltage are measured with a 10MΩ/V DC electric volt meter.
 * Components having special characteristics are marked △ and must be replaced with parts having specifications equal to those originally installed.
 * Schematic diagram is subject to change without notice.

SCHEMATIC DIAGRAM (VIDEO)



CIRCUIT CHANGES BY MARKET. X: NOT USED

| Parts Number | J | U-C | R-T | A | B | G |
|--------------|-------------------|-------------------|-------------------|---------------------|---------------------|---------------------|
| 1 | XL1 | 14.3181MHz V08920 | 14.3181MHz V08920 | 17.734470MHz V04950 | 17.734470MHz V04950 | 17.734470MHz V04950 |
| 2 | C41 | CH 20P V09020 | CH 20P V09020 | CK 2P V09970 | CK 2P V09970 | CK 2P V09970 |
| 3 | C42 | CH 15P V08990 | CH 15P V08990 | CJ 3P V08980 | CJ 3P V08980 | CJ 3P V08980 |
| 4 | C18 | 1500P U80315 | 1500P U80315 | B20P U80382 | B20P U80382 | B20P U80382 |
| 351 | R354 | X | 1.8k 0.1 R02618 | X | 1.8k 0.1 R02618 | X |
| 352 | R355 | X | 3.7k 0.1 R02627 | X | 3.7k 0.1 R02627 | X |
| 353 | R356 | X | 3.3k 0.1 R02633 | X | 3.3k 0.1 R02633 | X |
| 354 | R361 | X | 4.7k 0.1 R02647 | X | 4.7k 0.1 R02647 | X |
| 355 | SK355-356 360-361 | X | EV11A SKHBA14A | X | EV11A SKHBA14A | X |
| 901 | CB903 | FE-VN 23P V48650 | X | X | X | X |

NOTICE (model)
 (J)..... JAPANESE
 (U)..... U.S.A
 (C)..... CANADIAN
 (R)..... GENERAL
 (A)..... AUSTRALIAN
 (B)..... BRITISH
 (G)..... EUROPEAN
 (T)..... CHINA
 (L)..... SINGAPORE

RESISTOR

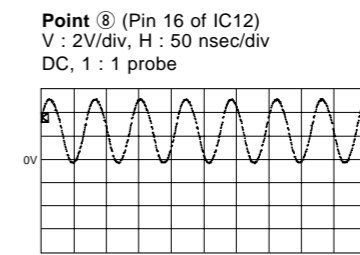
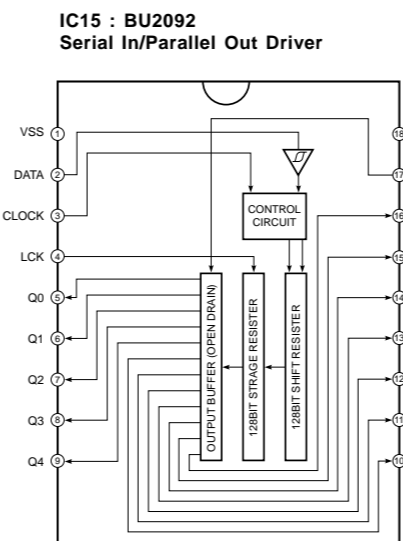
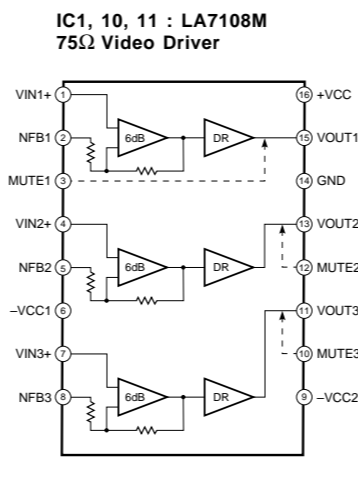
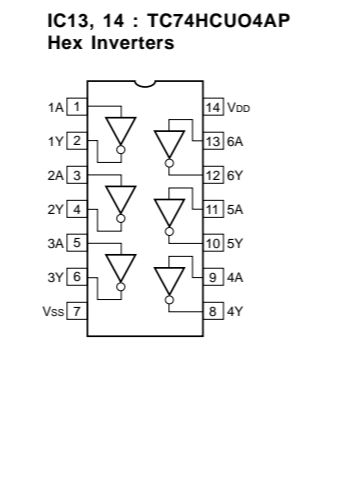
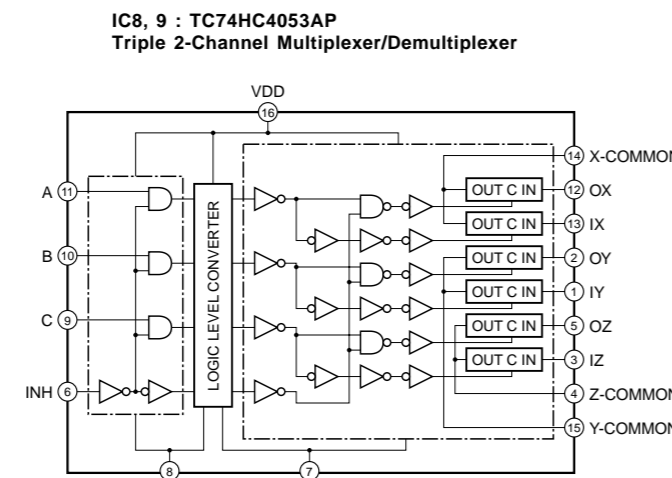
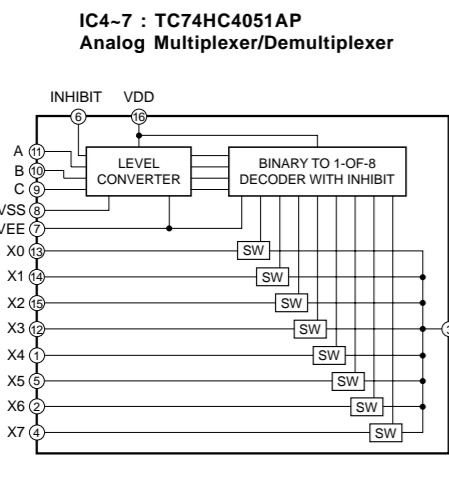
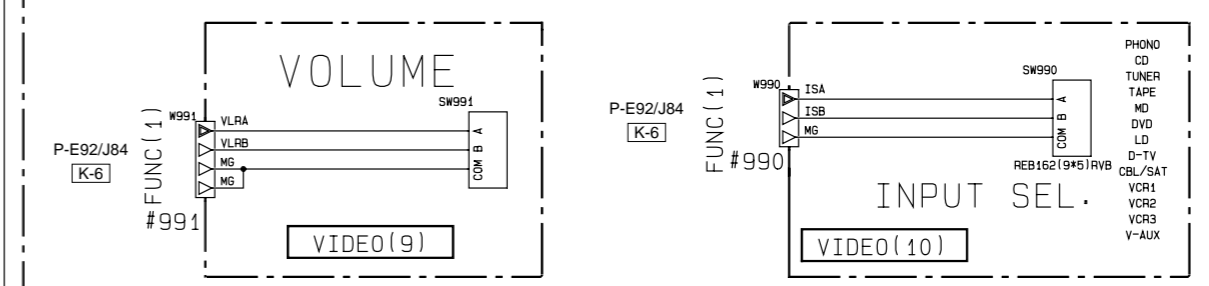
| REMARKS | PARTS NAME |
|---------|---------------------------------|
| NO MARK | CARBON FILM RESISTOR (P=5) |
| □ | CARBON FILM RESISTOR (P=10) |
| △ | METAL OXIDE FILM RESISTOR |
| ○ | GENERAL |
| ⊠ | METAL PLATE RESISTOR |
| ⊙ | FINE PROOF CARBON FILM RESISTOR |
| ⊚ | CEMENT MOLDED RESISTOR |
| ⊛ | SEMI VARIABLE RESISTOR |
| ⊜ | CHIP RESISTOR |

CAPACITOR

| REMARKS | PARTS NAME |
|---------|--------------------------------------|
| NO MARK | ELECTROLYTIC CAPACITOR |
| ⊖ | TANTALUM CAPACITOR |
| NO MARK | CERAMIC CAPACITOR |
| ⊙ | CERAMIC TUBULAR CAPACITOR |
| ⊚ | POLYESTER FILM CAPACITOR |
| ○ | POLYSTYRENE FILM CAPACITOR |
| ⊚ | MICA CAPACITOR |
| ⊙ | POLYPROPYLENE FILM CAPACITOR |
| ⊚ | SEMICONDUCTIVE CERAMIC CAPACITOR |
| ⊚ | POLYPHENYLENE SULFIDE FILM CAPACITOR |

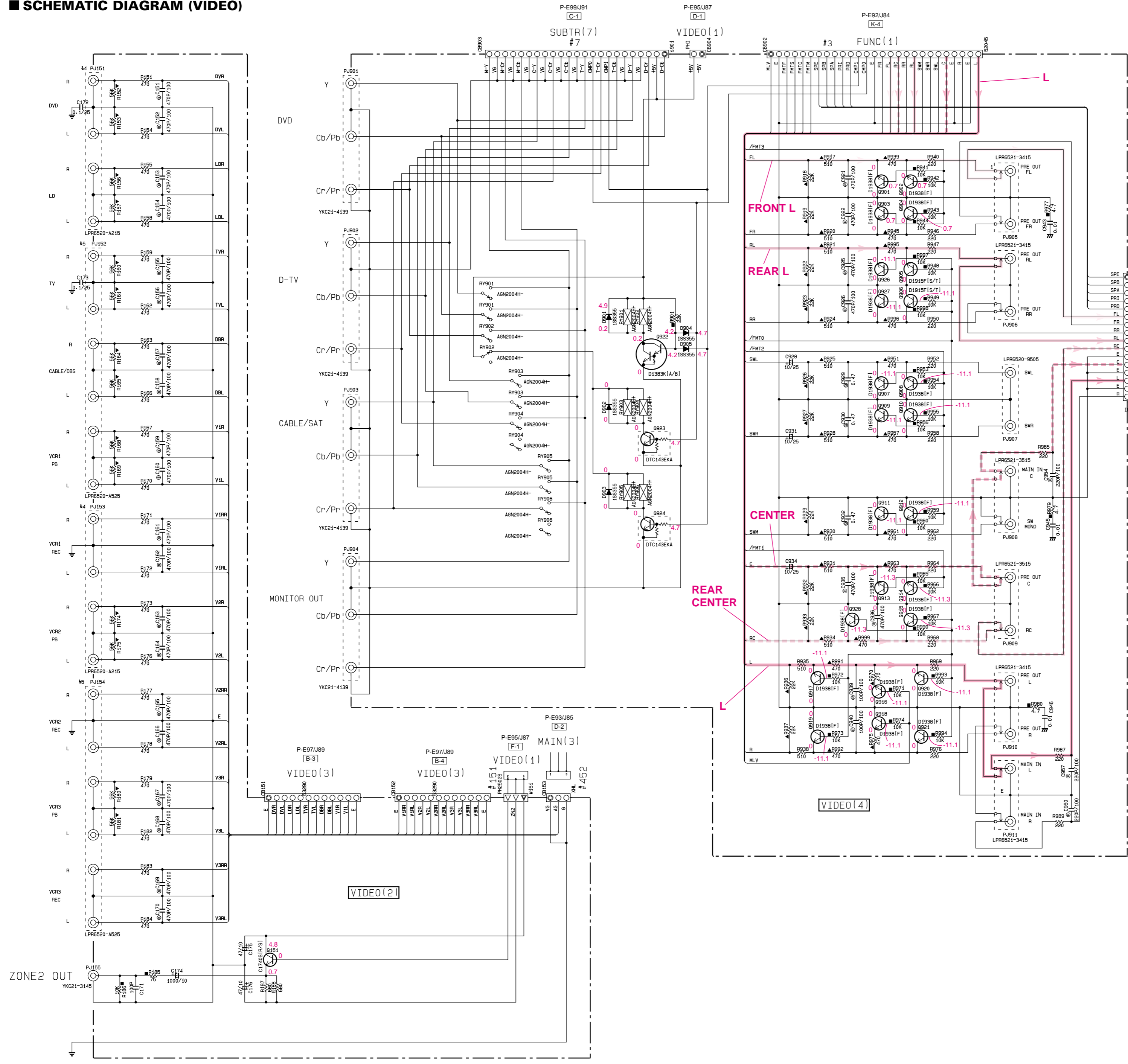
Interchangeable Parts at Manufacture-Stage

| Mark | Reference Parts Number | Parts Name |
|------|------------------------------|----------------------------------------|
| k1 | IC13-14 | TC74HC4044P M74HC4044N |
| k2 | 06 | DT114ES DT114ESA |
| k3 | D1-2-4-5-7-13 | ISS133 HSS104TD |
| k4 | PJ151-153 | LP8650-A215 YK21-3325 |
| k5 | PJ152-154 | LP8650-A525 YK21-3757 |
| k6 | C218-219 | UM6210 100P/50 VW95490 100P/50 |
| k7 | C214-215 | UM65422 0.022P/50 UA35422 0.022P/50 |
| k8 | SK351-354-357-359 362-363 | EV11A SKHBA14A |
| k9 | | |
| k10 | | |
| k11 | | |
| k12 | | |



* All voltage are measured with a 10MΩ/V DC electric volt meter.
 * Components having special characteristics are marked △ and must be replaced with parts having specifications equal to those originally installed.
 * Schematic diagram is subject to change without notice.

SCHEMATIC DIAGRAM (VIDEO)



CIRCUIT CHANGES BY MARKET. X : NOT USED

| s | Parts Number | J | U-C | R-T | A | B | G |
|-----|----------------------|--------------------|--------------------|--------------------|----------------------|----------------------|----------------------|
| 1 | XL1 | 14.3181MHz VJ98950 | 14.3181MHz VJ98950 | 14.3181MHz VJ98950 | 17.734475MHz VJ98950 | 17.734475MHz VJ98950 | 17.734475MHz VJ98950 |
| 2 | C41 | CH 20P VJ90020 | CH 20P VJ90020 | CH 20P VJ90020 | CK 2P VJ89870 | CK 2P VJ89870 | CK 2P VJ89870 |
| 3 | C42 | CH 15P VJ89890 | CH 15P VJ89890 | CH 15P VJ89890 | CJ 3P VJ89890 | CJ 3P VJ89890 | CJ 3P VJ89890 |
| 4 | C18 | 1500P UB05315 | 1500P UB05315 | 1500P UB05315 | B20P UB05282 | B20P UB05282 | B20P UB05282 |
| 351 | R354 | X | 1.8K 0.1 R025618 | X | 1.8K 0.1 R025618 | X | X |
| 352 | R355 | X | 2.7K 0.1 R025627 | X | 2.7K 0.1 R025627 | X | X |
| 353 | R356 | X | 3.3K 0.1 R025633 | X | 3.3K 0.1 R025633 | X | X |
| 354 | R361 | X | 4.7K 0.1 R025647 | X | 4.7K 0.1 R025647 | X | X |
| 355 | SW355, 356, 360, 361 | X | E10114 SKHVB014A | X | E10114 SKHVB014A | X | X |
| 901 | CB903 | FE-VN 23P V486950 | X | X | X | X | X |

NOTICE (mode1)
 (J)..... JAPANESE
 (U)..... U. S. A.
 (C)..... CANADIAN
 ()..... GENERAL
 (A)..... AUSTRALIAN
 (B)..... BRITISH
 (G)..... EUROPEAN
 (T)..... CHINA
 (L)..... SINGAPORE

CAPACITOR

| REMARKS | PARTS NAME |
|---------|--------------------------------------|
| NO MARK | ELECTROLYTIC CAPACITOR |
| ⊗ | TANTALUM CAPACITOR |
| NO MARK | CERAMIC CAPACITOR |
| ⊙ | CERAMIC TUBULAR CAPACITOR |
| ⊖ | POLYESTER FILM CAPACITOR |
| ⊕ | POLYSTYRENE FILM CAPACITOR |
| ⊖ | MICA CAPACITOR |
| ⊖ | POLYPROPYLENE FILM CAPACITOR |
| ⊖ | SEMICONDUCTIVE CERAMIC CAPACITOR |
| ⊖ | POLYPHENYLENE SULFIDE FILM CAPACITOR |

RESISTOR

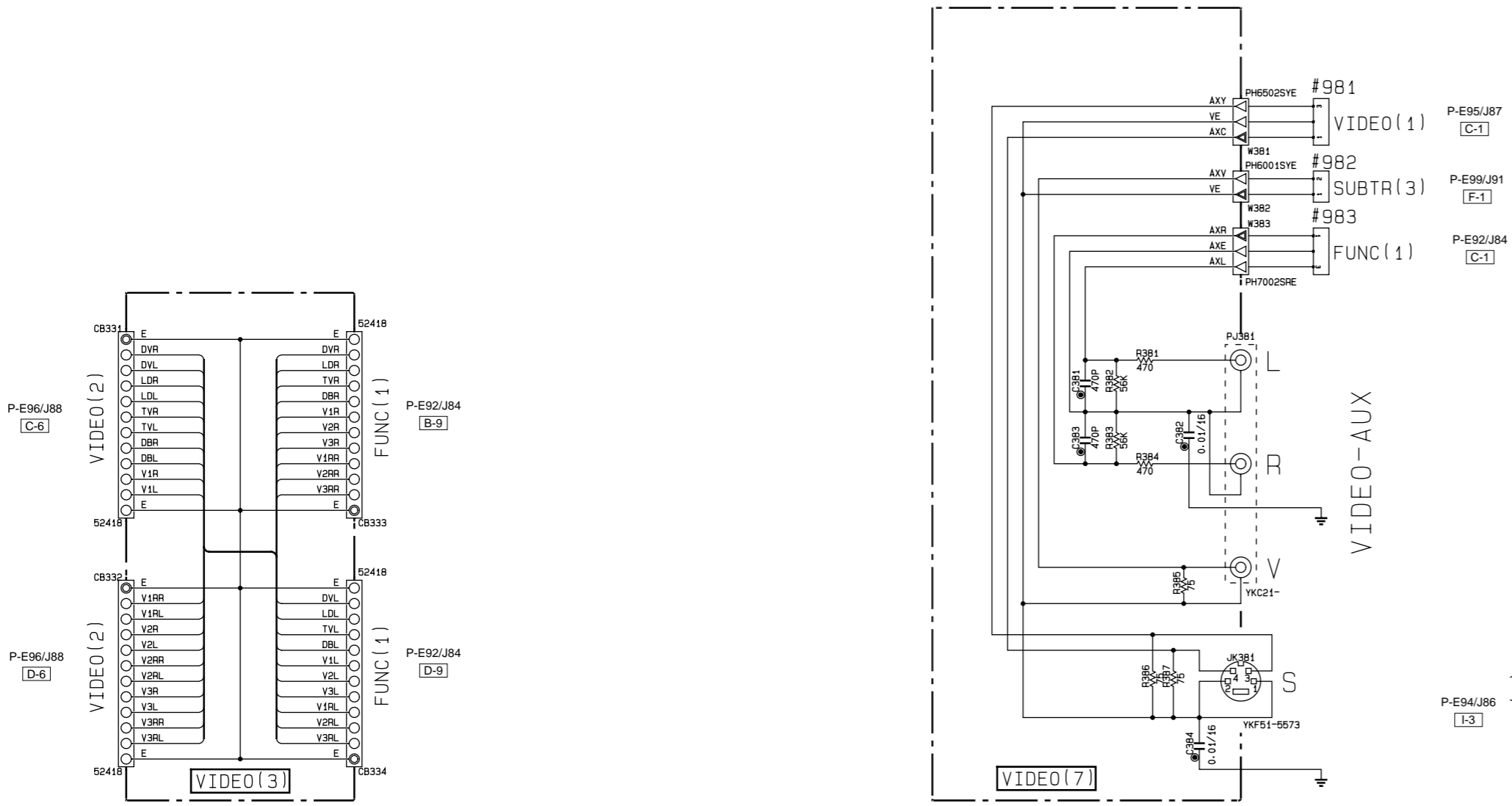
| REMARKS | PARTS NAME |
|---------|---------------------------------|
| NO MARK | CARBON FILM RESISTOR (P=5) |
| ⊖ | CARBON FILM RESISTOR (P=10) |
| ⊖ | METAL OXIDE FILM RESISTOR |
| ⊖ | METAL FILM RESISTOR |
| ⊖ | METAL PLATE RESISTOR |
| ⊖ | FIRE PROOF CARBON FILM RESISTOR |
| ⊖ | CEMENT MOLDED RESISTOR |
| ⊖ | SEMI VARIABLE RESISTOR |
| ⊖ | CHIP RESISTOR |

Interchangeable Parts at Manufacture-Stage

| Mark | Reference Parts Number | Parts Name |
|------|-----------------------------|--------------------------------------|
| #1 | IC13-14 | T074HCU04AP M074HCU04N |
| #2 | 06 | DT114ES UN4211 DT114ESA |
| #3 | D1-2, 4, 5, 7-13 | 1S5133 H55104TD |
| #4 | PJ151-153 | LPR6520-A215 YKC21-3325 |
| #5 | PJ152-154 | LPR6520-A525 YKC21-3757 |
| #6 | C218-219 | UA65210 100P/50 VY95490 100p/50 |
| #7 | C214-215 | UA65422 0.022/50 UA35422 0.022/50 |
| #8 | SW351-354, 357-359, 360-363 | E10114 SKHVB014A |
| #9 | | |
| #10 | | |
| #11 | | |
| #12 | | |

* All voltage are measured with a 10MΩ/V DC electric volt meter.
 * Components having special characteristics are marked Δ and must be replaced with parts having specifications equal to those originally installed.
 * Schematic diagram is subject to change without notice.

SCHEMATIC DIAGRAM (VIDEO)



CIRCUIT CHANGES BY MARKET. X : NOT USED

| s | Parts Number | J | U-C | R-T | A | B | G |
|-----|-------------------|--------------------|--------------------|--------------------|----------------------|----------------------|----------------------|
| 1 | XL1 | 14.3181MHz VQ38020 | 14.3181MHz VQ38020 | 14.3181MHz VQ38020 | 17.734475MHz VY34250 | 17.734475MHz VY34250 | 17.734475MHz VY34250 |
| 2 | C41 | CH 20P VJ90020 | CH 20P VJ90020 | CH 20P VJ90020 | CK 2P VJ99870 | CK 2P VJ99870 | CK 2P VJ99870 |
| 3 | C42 | CH 15P VJ85920 | CH 15P VJ85920 | CH 15P VJ85920 | CJ 3P VJ89880 | CJ 3P VJ89880 | CJ 3P VJ89880 |
| 4 | C18 | 1500P UB05315 | 1500P UB05315 | 1500P UB05315 | B20P UB05282 | B20P UB05282 | B20P UB05282 |
| 351 | R354 | X | 1.8K 0.1 RD25618 | X | 1.8K 0.1 RD25618 | X | X |
| 352 | R355 | X | 2.7K 0.1 RD25627 | X | 2.7K 0.1 RD25627 | X | X |
| 353 | R356 | X | 3.3K 0.1 RD25633 | X | 3.3K 0.1 RD25633 | X | X |
| 354 | R361 | X | 4.7K 0.1 RD25647 | X | 4.7K 0.1 RD25647 | X | X |
| 355 | SW355-356 350-351 | X | EV011A SKHVBAD14A | X | EV011A SKHVBAD14A | X | X |
| 901 | CB903 | FE-VN 23P V485950 | X | X | X | X | X |

NOTICE (model)
 (J)..... JAPANESE
 (U)..... U.S.A
 (C)..... CANADIAN
 (R)..... GENERAL
 (A)..... AUSTRALIAN
 (B)..... BRITISH
 (G)..... EUROPEAN
 (T)..... CHINA
 (L)..... SINGAPORE

CAPACITOR

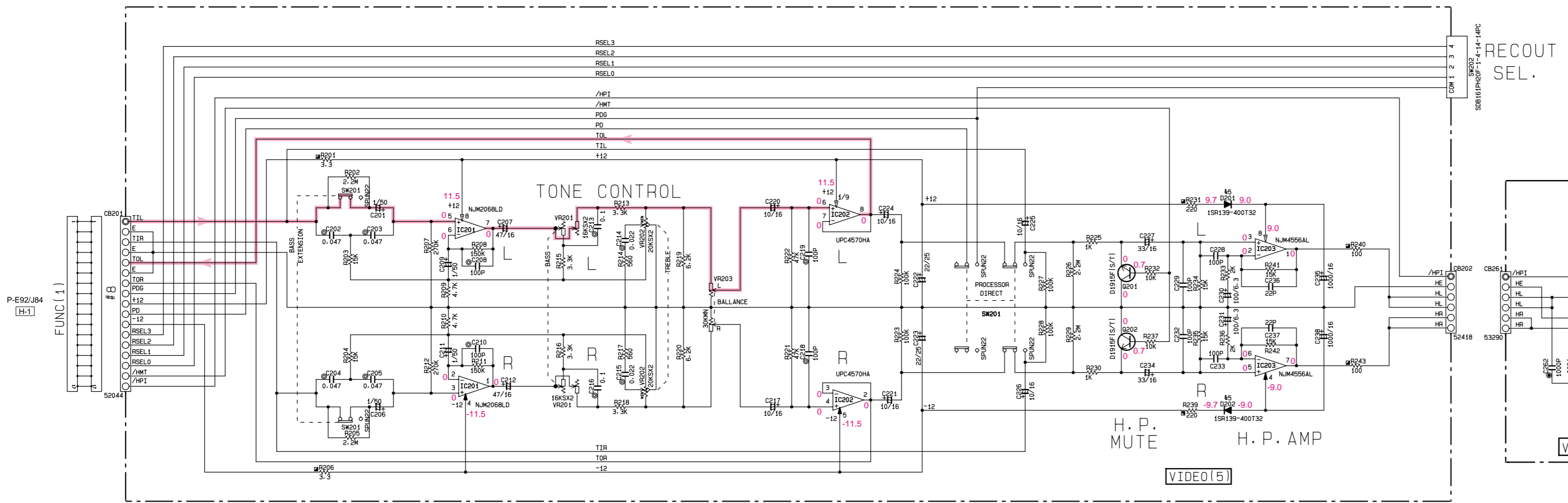
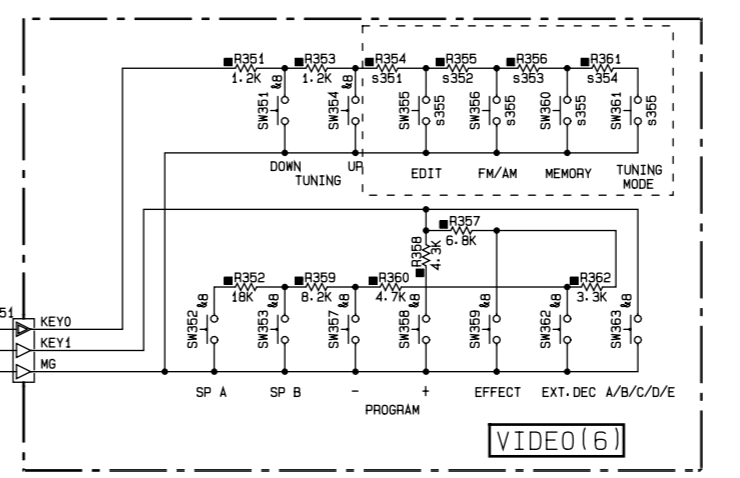
| REMARKS | PARTS NAME |
|---------|--------------------------------------|
| NO MARK | ELECTROLYTIC CAPACITOR |
| ⊗ | TANTALUM CAPACITOR |
| NO MARK | CERAMIC CAPACITOR |
| ⊙ | CERAMIC TUBULAR CAPACITOR |
| ⊕ | POLYESTER FILM CAPACITOR |
| ○ | POLYSTYRENE FILM CAPACITOR |
| ⊖ | MICA CAPACITOR |
| ⊖ | POLYPROPYLENE FILM CAPACITOR |
| ⊖ | SEMICONDUCTIVE CERAMIC CAPACITOR |
| ⊖ | POLYPHENYLENE SULFIDE FILM CAPACITOR |

RESISTOR

| REMARKS | PARTS NAME |
|---------|---------------------------------|
| NO MARK | CARBON FILM RESISTOR (P=5) |
| ⊠ | CARBON FILM RESISTOR (P=10) |
| △ | METAL OXIDE FILM RESISTOR |
| ▲ | METAL FILM RESISTOR |
| ⊠ | METAL PLATE RESISTOR |
| ⊠ | FIRE PROOF CARBON FILM RESISTOR |
| ⊠ | CEMENT MOLDED RESISTOR |
| ⊠ | SEMI VARIABLE RESISTOR |
| ⊠ | CHIP RESISTOR |

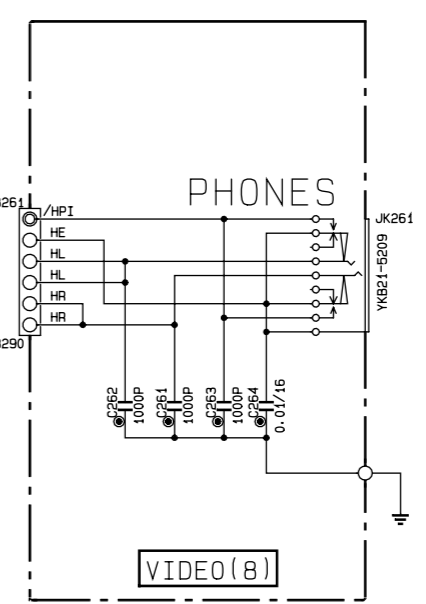
Interchangeable Parts at Manufacture-Stage

| Mark | Reference Parts Number | Parts Name |
|------|------------------------------|---------------------------------|
| #1 | IC13-14 | TCT4HC04AP MM74HC04N |
| #2 | 06 | DTC114ES LM4211 DTC114ESA |
| #3 | D1-2-4-5-7-13 | 1SS133 HSS104TD |
| #4 | PJ151-153 | LPR6520-A215 YKC21-3325 |
| #5 | PJ152-154 | LPR6520-1S25 YKC21-3757 |
| #6 | | |
| #7 | | |
| #8 | SW351-354-357-359 352-353 | EV011A SKHVBAD14A |
| #9 | | |
| #10 | | |
| #11 | | |
| #12 | | |



P-E92/J84 [H-1]

REC OUT SEL.

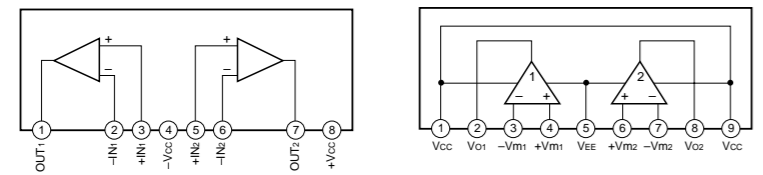


REC OUT SELECTOR

| REC OUT/ZONE 2 | VIDEO AUX | VCR3 | VCR2 | VCR1 | CBU/SAT | TV | LD | SOURCE/REMOTE | DVD | MD | TAPE | TUNER | CD | PHONO |
|----------------|-----------|------|------|------|---------|----|----|---------------|-----|----|------|-------|----|-------|
| RSEL0 | 0 | 1 | 1 | 0 | 0 | 1 | 1 | 0 | 0 | 1 | 1 | 0 | 0 | 1 |
| RSEL1 | 0 | 0 | 0 | 0 | 1 | 1 | 1 | 1 | 0 | 0 | 0 | 0 | 0 | 1 |
| RSEL2 | 1 | 1 | 0 | 0 | 0 | 0 | 0 | 0 | 0 | 0 | 1 | 1 | 1 | 1 |
| RSEL3 | 1 | 1 | 1 | 1 | 1 | 1 | 1 | 0 | 0 | 0 | 0 | 0 | 0 | 0 |

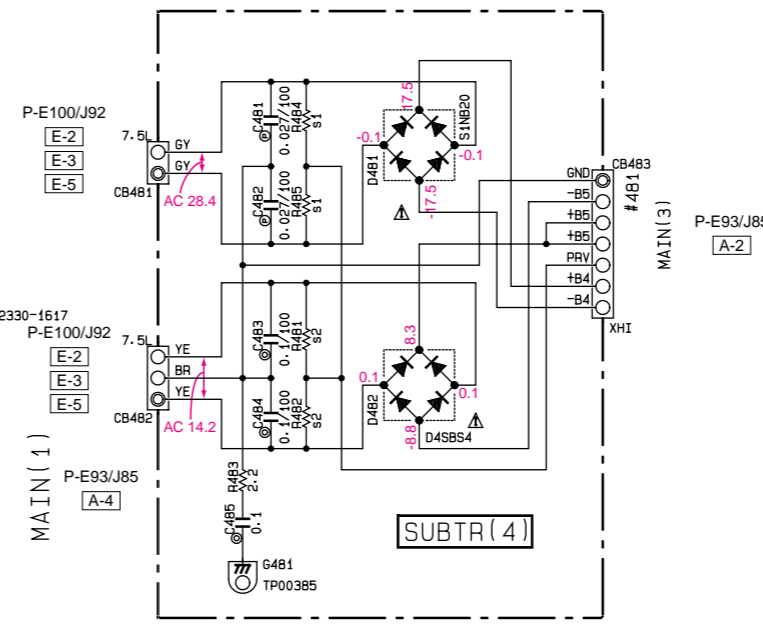
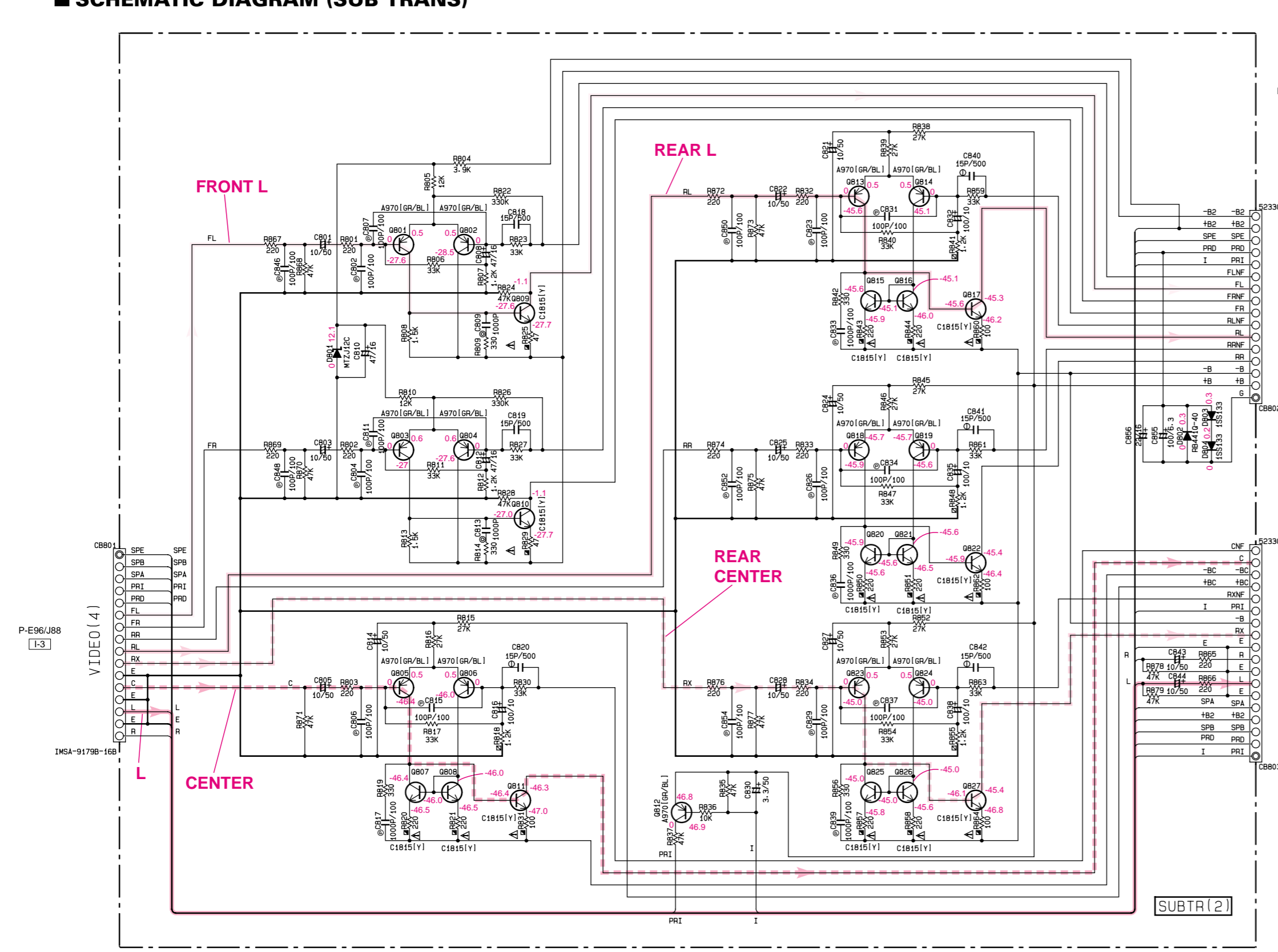
IC201 : NJM2068L-D
 IC202 : NJM4556AL
 Dual OP-Amp

IC202 : μPC4570HA
 Dual OP-Amp



* All voltage are measured with a 10MΩ/V DC electric volt meter.
 * Components having special characteristics are marked △ and must be replaced with parts having specifications equal to those originally installed.
 * Schematic diagram is subject to change without notice.

SCHEMATIC DIAGRAM (SUB TRANS)



| s | Reference No | J | U | C | R-T | A | B | G |
|----|--------------|-------------|-------------|-------------|-------------|-------------|-------------|-------------|
| s1 | R484-485 | X | 82K HF45762 | 82K HF45762 | X | X | X | X |
| s2 | R481, 482 | 33K HF45733 | 56K HF45756 | 56K HF45756 | 33K HF45733 | 33K HF45733 | 33K HF45733 | 33K HF45733 |

CAPACITOR

| REMARKS | PARTS NAME |
|---------|--------------------------------------|
| NO MARK | ELECTROLYTIC CAPACITOR |
| ⊗ | TANTALUM CAPACITOR |
| NO MARK | CERAMIC CAPACITOR |
| ⊙ | CERAMIC TUBULAR CAPACITOR |
| ⊖ | POLYESTER FILM CAPACITOR |
| ○ | POLYSTYRENE FILM CAPACITOR |
| ⊕ | MICA CAPACITOR |
| ⊗ | POLYPROPYLENE FILM CAPACITOR |
| ⊙ | SEMICONDUCTIVE CERAMIC CAPACITOR |
| ⊖ | POLYPHENYLENE SULFIDE FILM CAPACITOR |

RESISTOR

| REMARKS | PARTS NAME |
|---------|---------------------------------|
| NO MARK | CARBON FILM RESISTOR (P=5) |
| ⊗ | CARBON FILM RESISTOR (P=10) |
| △ | METAL OXIDE FILM RESISTOR |
| ▲ | METAL FILM RESISTOR |
| ⊖ | METAL PLATE RESISTOR |
| ⊗ | FIRE PROOF CARBON FILM RESISTOR |
| ⊖ | CEMENT MOLDED RESISTOR |
| ⊗ | SEMI VARIABLE RESISTOR |
| ■ | CHIP RESISTOR |

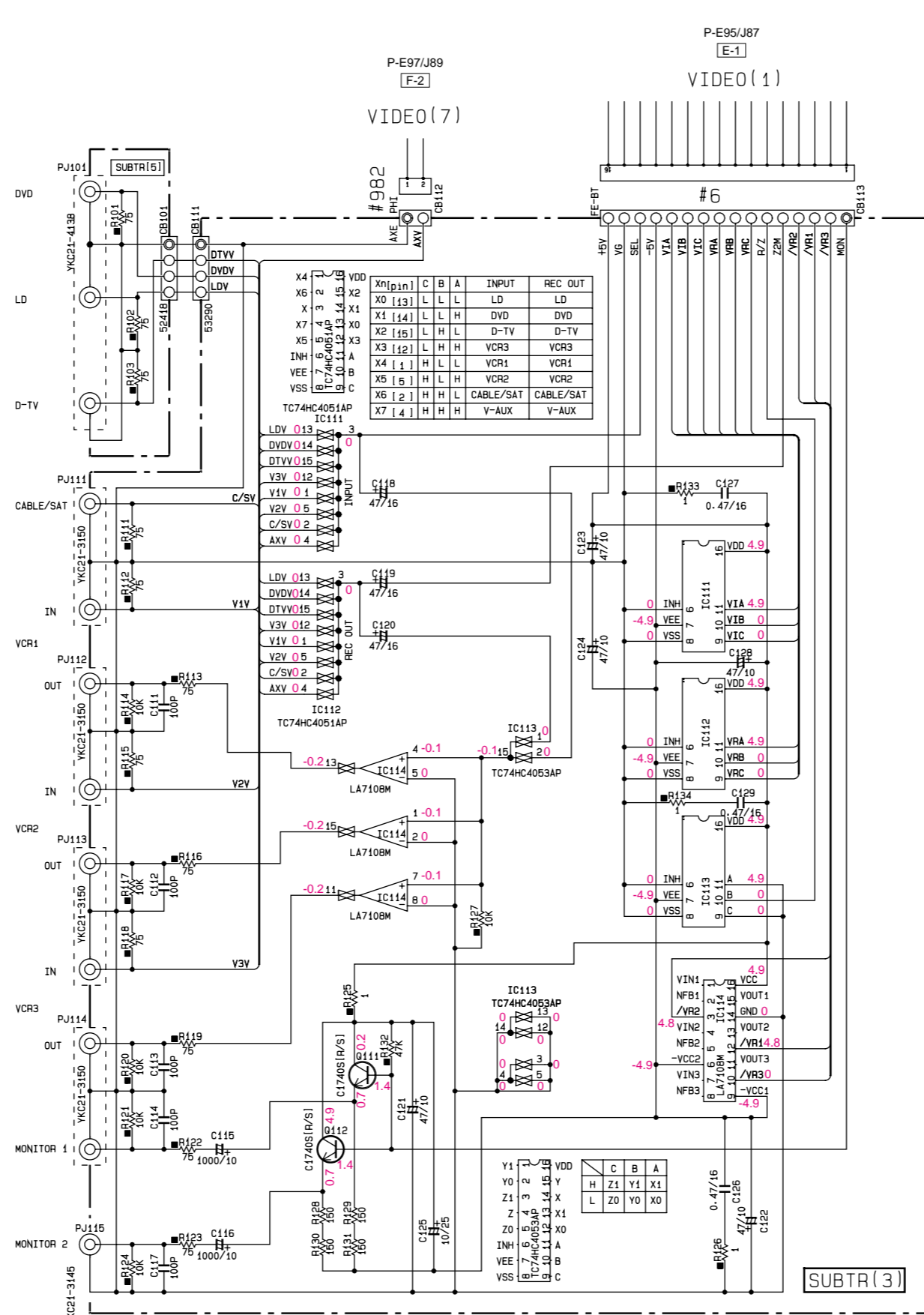
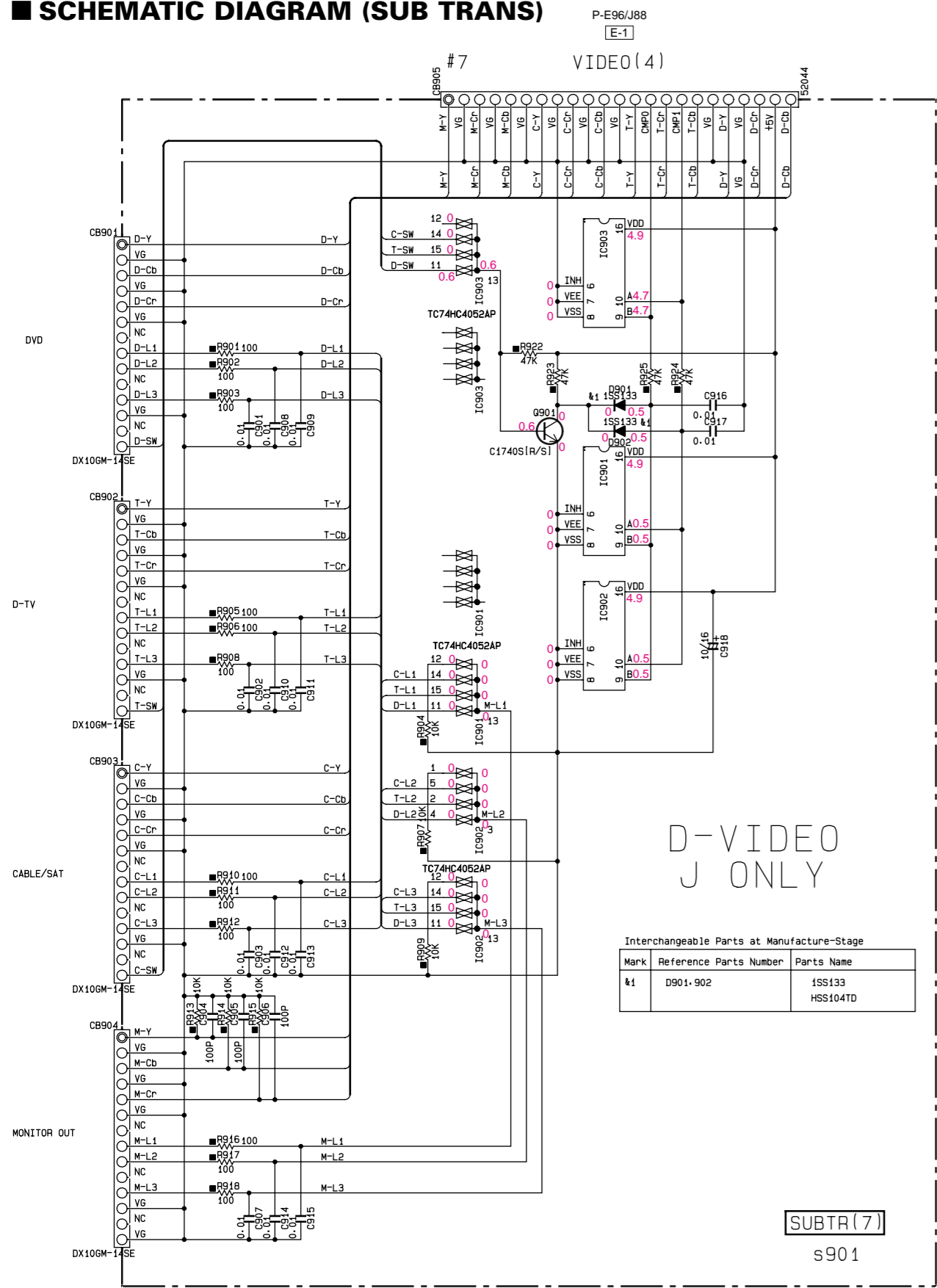
Interchangeable Parts at Manufacture-Stage

| Mark | Reference Parts Number | Parts Name |
|------|------------------------|--------------------|
| k1 | | |
| k2 | | |
| k3 | | |
| k4 | | |
| k5 | | |
| k6 | | |
| k7 | | |
| k8 | | |
| k9 | | |
| k10 | D751-803-804 | ISS133 HSS104TD |
| k11 | | |
| k12 | | |

NOTICE (model)
 (J)..... JAPANESE
 (U)..... U.S. A
 (C)..... CANADIAN
 (R)..... GENERAL
 (A)..... AUSTRALIAN
 (B)..... BRITISH
 (G)..... EUROPEAN
 (T)..... CHINA
 (L)..... SINGAPORE

* All voltage are measured with a 10MΩ/V DC electric volt meter.
 * Components having special characteristics are marked △ and must be replaced with parts having specifications equal to those originally installed.
 * Schematic diagram is subject to change without notice.

SCHEMATIC DIAGRAM (SUB TRANS)



Interchangeable Parts at Manufacture-Stage

| Mark | Reference Parts Number | Parts Name |
|------|------------------------|--------------------|
| k1 | | |
| k2 | | |
| k3 | | |
| k4 | | |
| k5 | | |
| k6 | | |
| k7 | | |
| k8 | | |
| k9 | | |
| k10 | D751-803-804 | 1SS133 HSS104TD |
| k11 | | |
| k12 | | |

CIRCUIT CHANGES BY MARKET.

| Reference No | J | U | C | R-T | A | B | G |
|--------------|---|---|---|-----|---|---|---|
| 901 | ○ | × | × | × | × | × | × |

X : NOT USED
O : USED

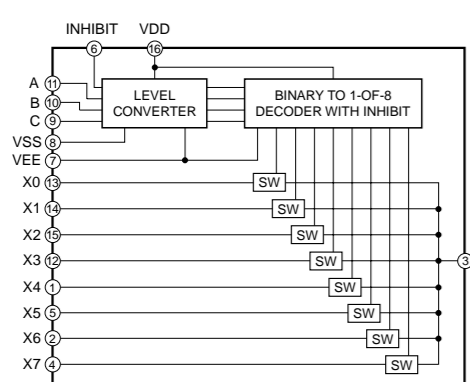
CAPACITOR

| REMARKS | PARTS NAME |
|---------|--------------------------------------|
| NO MARK | ELECTROLYTIC CAPACITOR |
| ⊗ | TANTALUM CAPACITOR |
| NO MARK | CERAMIC CAPACITOR |
| ● | CERAMIC TUBULAR CAPACITOR |
| ⊙ | POLYESTER FILM CAPACITOR |
| ○ | POLYSTYRENE FILM CAPACITOR |
| ⊖ | MICA CAPACITOR |
| ⊕ | POLYPROPYLENE FILM CAPACITOR |
| ⊗ | SEMICONDUCTIVE CERAMIC CAPACITOR |
| ⊙ | POLYPHENYLENE SULFIDE FILM CAPACITOR |

RESISTOR

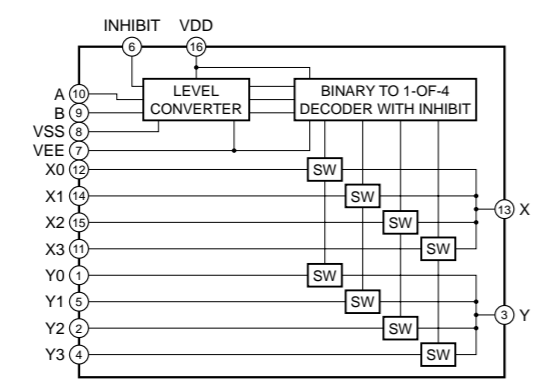
| REMARKS | PARTS NAME |
|---------|---------------------------------|
| NO MARK | CARBON FILM RESISTOR (P=5) |
| ⊗ | CARBON FILM RESISTOR (P=10) |
| NO MARK | CERAMIC CAPACITOR |
| ⊙ | CERAMIC TUBULAR CAPACITOR |
| ⊕ | METAL OXIDE FILM RESISTOR |
| ⊖ | METAL FILM RESISTOR |
| ⊗ | METAL PLATE RESISTOR |
| ⊙ | FIRE PROOF CARBON FILM RESISTOR |
| ⊖ | CEMENT MOLDED RESISTOR |
| ⊕ | SEMI VARIABLE RESISTOR |
| ⊗ | CHIP RESISTOR |

IC111, 112 : TC74HC4051AP
Analog Multiplexer/Demultiplexer



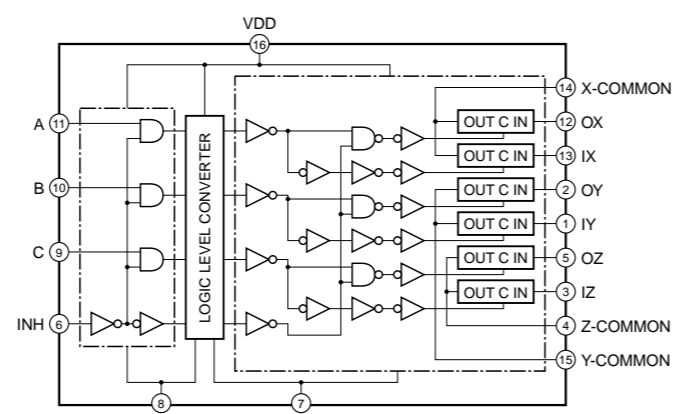
| INPUT STATES | | | | "ON" CHANNEL (S) |
|--------------|---|---|---|------------------|
| INHIBIT | C | B | A | |
| 0 | 0 | 0 | 0 | 0 |
| 0 | 0 | 0 | 1 | 1 |
| 0 | 0 | 1 | 0 | 2 |
| 0 | 0 | 1 | 1 | 3 |
| 0 | 1 | 0 | 0 | 4 |
| 0 | 1 | 0 | 1 | 5 |
| 0 | 1 | 1 | 0 | 6 |
| 0 | 1 | 1 | 1 | 7 |
| 1 | X | X | X | NONE |

IC901-903 : TC74HC4052AP
Analog Multiplexers/Demultiplexers



| INHIBIT | B | A | |
|---------|---|---|--------|
| 0 | 0 | 0 | 0x, 0y |
| 0 | 0 | 1 | 1x, 1y |
| 0 | 1 | 0 | 2x, 2y |
| 0 | 1 | 1 | 3x, 3y |
| 1 | X | X | NONE |

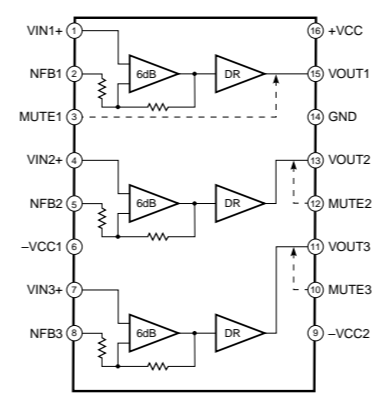
IC113 : TC74HC4053AP
Triple 2-Channel Multiplexer/Demultiplexer



| CONTROL INPUTS | | | | "ON" CHANNEL |
|----------------|---|---|---|-------------------------------------|
| INHIBIT | C | B | A | |
| L | L | L | L | 0x (Pin 12), 0y (Pin 2), 0z (Pin 5) |
| L | L | L | L | 1x (Pin 13), 1y (Pin 1), 1z (Pin 3) |
| L | L | L | H | 0x, 0y, 0z |
| L | L | H | L | 1x, 0y, 0z |
| L | L | H | H | 0x, 1y, 0z |
| L | H | L | L | 0x, 0y, 1z |
| L | H | L | H | 1x, 0y, 1z |
| L | H | H | L | 0x, 1y, 1z |
| L | H | H | H | 1x, 1y, 1z |
| H | X | X | X | NOTE |

* Don't Care

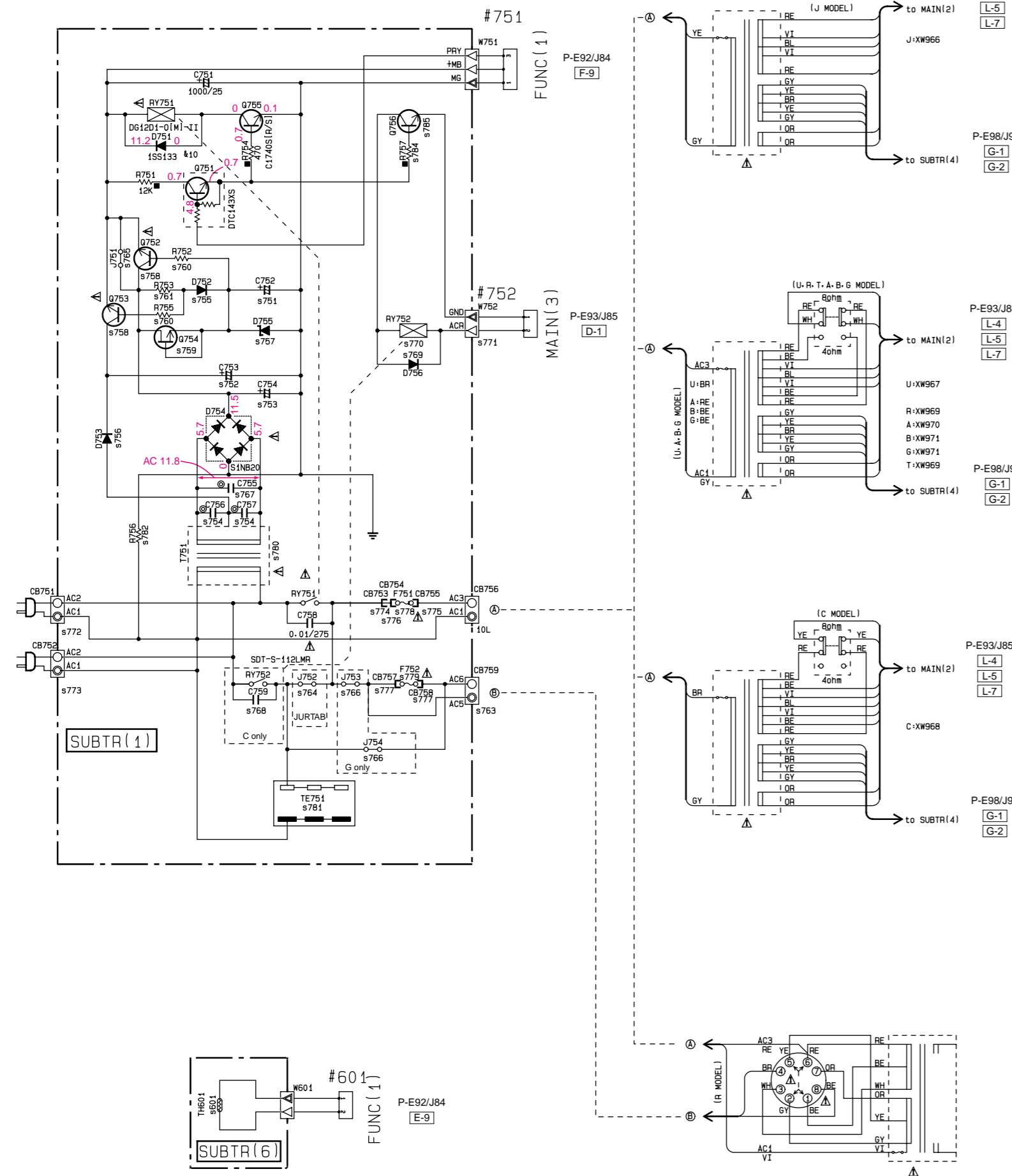
IC114 : LA7108M
75Ω Video Driver



NOTICE (mode1)
(J)..... JAPANESE
(U)..... U. S. A
(C)..... CANADIAN
(R)..... GENERAL
(A)..... AUSTRALIAN
(B)..... BRITISH
(G)..... EUROPEAN
(T)..... CHINA
(L)..... SINGAPORE

* All voltage are measured with a 10MΩ/V DC electric volt meter.
* Components having special characteristics are marked ⊖ and must be replaced with parts having specifications equal to those originally installed.
* Schematic diagram is subject to change without notice.

SCHEMATIC DIAGRAM (SUB TRANS)



Interchangeable Parts at Manufacture-Stage

| Mark | Reference Parts Number | Parts Name |
|------|------------------------|-----------------|
| #1 | | |
| #2 | | |
| #3 | | |
| #4 | | |
| #5 | | |
| #6 | | |
| #7 | | |
| #8 | | |
| #9 | | |
| #10 | D751 | ISS133 HSS104TD |
| #11 | | |
| #12 | | |

CIRCUIT CHANGES BY MARKET.

X : NOT USED
O : USED

| Reference No | J | U | C | R-T | A | B | G |
|--------------|-----------|---------------------|---------------------|---------------------|----------------------------------------------|---------------------|---------------------|
| 601 | TH601 | VM84230 | VM84240 | VM84240 | VM84240 | VM84240 | VM84240 |
| 751 | C752 | X | X | X | UJ14710 10/25 | X | X |
| 752 | C753 | X | X | X | UJ16710 10/50 | X | X |
| 753 | C754 | X | X | X | UJ19747 47/100 | X | X |
| 754 | C756-757 | X | X | X | 0.01 V171670 | X | X |
| 755 | D752 | X | X | X | IF00460 ISS133 HSS104TD | X | X |
| 756 | D753 | X | X | X | VU26410 VSR139-400T32 | X | X |
| 757 | D755 | X | X | X | V643990 MTJ11B | X | X |
| 758 | D752-753 | X | X | X | VRS1080 D239510/K1 | X | X |
| 759 | D754 | X | X | X | IE10262 K2461Y1 | X | X |
| 760 | R752-755 | X | X | X | HF45510 100 | X | X |
| 761 | R753 | X | X | X | HF45710 10K | X | X |
| 762 | H5751 | X | X | X | V560990 | X | X |
| 763 | CB759 | X | X | X | LA00241 10L | X | X |
| 764 | J752 | O | O | X | O | O | O |
| 765 | J751 | O | O | O | X | O | O |
| 766 | J753-754 | X | X | X | X | X | O |
| 767 | C755 | 0.01 V171670 | 0.01 V171670 | 0.01 V171670 | X | 0.01 V171670 | 0.01 V171670 |
| 768 | C759 | X | X | X | V197540 0.5L/275 | X | X |
| 769 | D756 | X | X | X | IF00460 ISS133 HSS104TD | X | X |
| 770 | R752 | X | X | X | V271230 SD1-S-112LMR | X | X |
| 771 | W752 | X | X | X | V660990 | X | X |
| 772 | CB751 | X | V687990 | V687990 | V687990 | V687990 | V687990 |
| 773 | CB752 | LA00387 | X | X | X | X | X |
| 774 | CB753 | VS99610 | VS99610 | VS99610 | VS99610 | X | X |
| 775 | CB755 | VS99610 | VS99610 | VS99610 | VP20650 | VP20650 | VP20650 |
| 776 | CB754 | X | X | X | VP20650 | VP20650 | VP20650 |
| 777 | CB757-758 | X | X | X | VP20650 | X | VP20650 |
| 778 | F751 | VU23840 124125V | VU23830 124250V | VU23830 124250V | VU23830 124250V | KB00176 T6-3AL250V | KB00176 T6-3AL250V |
| 779 | F752 | X | X | X | KB00176 T6-3AL250V | X | Y194290 T2-5AH250V |
| 780 | T751 | XW972 | XW973 | XW973 | XW974 | XW975 | XW976 |
| 781 | TE751 | VV11880 S2-7651-212 | VV11880 S2-7651-212 | VV11880 S2-7651-212 | V474650 S2-7731-210 | V191500 S2-7721-210 | VU54330 S2-7631-212 |
| 782 | R756 | X | H200511 1/2P2-2M | H200511 1/2P2-2M | X | X | X |
| 783 | | | | | | | |
| 784 | R757 | X | X | X | RD25547 470 | X | X |
| 785 | Q756 | X | X | X | IC17402 C17402(R/S) C2603(E/F) C3311A(Q/R/S) | X | X |

CAPACITOR

| REMARKS | PARTS NAME |
|---------|--------------------------------------|
| NO MARK | ELECTROLYTIC CAPACITOR |
| ⊗ | TANTALUM CAPACITOR |
| NO MARK | CERAMIC CAPACITOR |
| ⊙ | CERAMIC TUBULAR CAPACITOR |
| ⊕ | POLYESTER FILM CAPACITOR |
| ○ | POLYSTYRENE FILM CAPACITOR |
| ⊖ | MICA CAPACITOR |
| ⊗ | POLYPROPYLENE FILM CAPACITOR |
| ⊙ | SEMICONDUCTIVE CERAMIC CAPACITOR |
| ⊕ | POLYPHENYLENE SULFIDE FILM CAPACITOR |

RESISTOR

| REMARKS | PARTS NAME |
|---------|---------------------------------|
| NO MARK | CARBON FILM RESISTOR (P=5) |
| ⊗ | CARBON FILM RESISTOR (P=10) |
| NO MARK | CERAMIC RESISTOR |
| △ | METAL OXIDE FILM RESISTOR |
| ⊕ | METAL FILM RESISTOR |
| ⊗ | METAL PLATE RESISTOR |
| ⊙ | FIRE PROOF CARBON FILM RESISTOR |
| ⊖ | CEMENT MOLDED RESISTOR |
| ⊕ | SEMI VARIABLE RESISTOR |
| ⊗ | CHIP RESISTOR |

NOTICE (model)

(J)..... JAPANESE
 (U)..... U.S. A
 (C)..... CANADIAN
 (R)..... GENERAL
 (A)..... AUSTRALIAN
 (B)..... BRITISH
 (G)..... EUROPEAN
 (T)..... CHINA
 (L)..... SINGAPORE

* All voltage are measured with a 10MΩ/V DC electric volt meter.
 * Components having special characteristics are marked Δ and must be replaced with parts having specifications equal to those originally installed.
 * Schematic diagram is subject to change without notice.

■ SCHEMATIC DIAGRAM (TUNER : RX-V1 only)

| CAPACITOR | |
|-----------|----------------------------------|
| REMARKS | PARTS NAME |
| NO MARK | ELECTROLYTIC CAPACITOR |
| NO MARK | TANTALUM CAPACITOR |
| ⊙ | CERAMIC TUBULAR CAPACITOR |
| ⊙ | POLYESTER FILM CAPACITOR |
| ○ | POLYSTYRENE FILM CAPACITOR |
| ⊖ | MICA CAPACITOR |
| ⊕ | POLYPROPYLENE FILM CAPACITOR |
| ⊙ | SEMICONDUCTIVE CERAMIC CAPACITOR |

| RESISTOR | |
|----------|---------------------------------|
| REMARKS | PARTS NAME |
| NO MARK | CARBON FILM RESISTOR (P=5) |
| □ | CARBON FILM RESISTOR (P=10) |
| △ | METAL OXIDE FILM RESISTOR |
| △ | METAL FILM RESISTOR |
| ⊠ | METAL PLATE RESISTOR |
| ⊠ | FIRE PROOF CARBON FILM RESISTOR |
| ⊠ | CEMENT MOLDED RESISTOR |
| ⊠ | SEMI VARIABLE RESISTOR |
| ⊠ | CHIP RESISTOR |

NOTICE (mode1)
 (J)..... JAPANESE
 (U)..... U. S. A
 (C)..... CANADIAN
 (R)..... GENERAL
 (A)..... AUSTRALIAN
 (B)..... BRITISH
 (G)..... EUROPEAN
 (T)..... CHINA
 (L)..... SINGAPORE

Interchangeable Parts at Manufacture-Stage

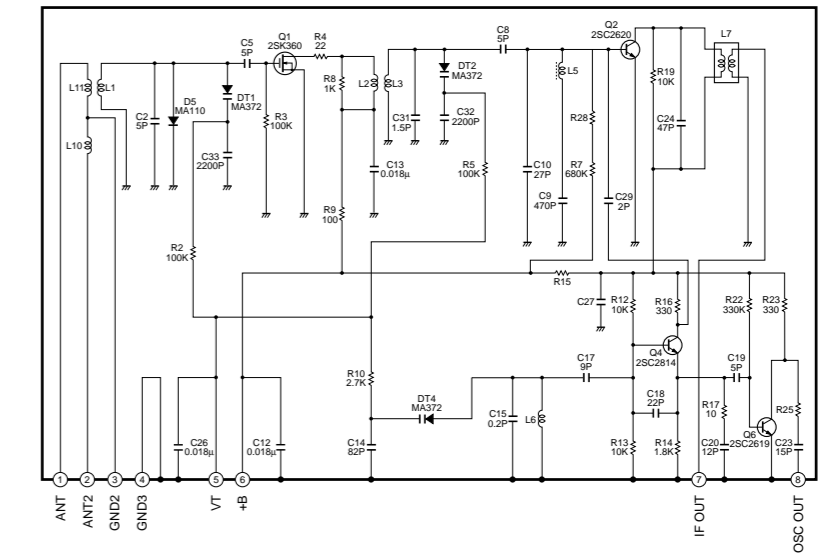
| Mark | Reference Parts Number | Parts Name |
|------|------------------------|----------------------------|
| K1 | Ds. 2 | HSS104 1SS133 1SS176 |

CIRCUIT CHANGES BY MARKET.

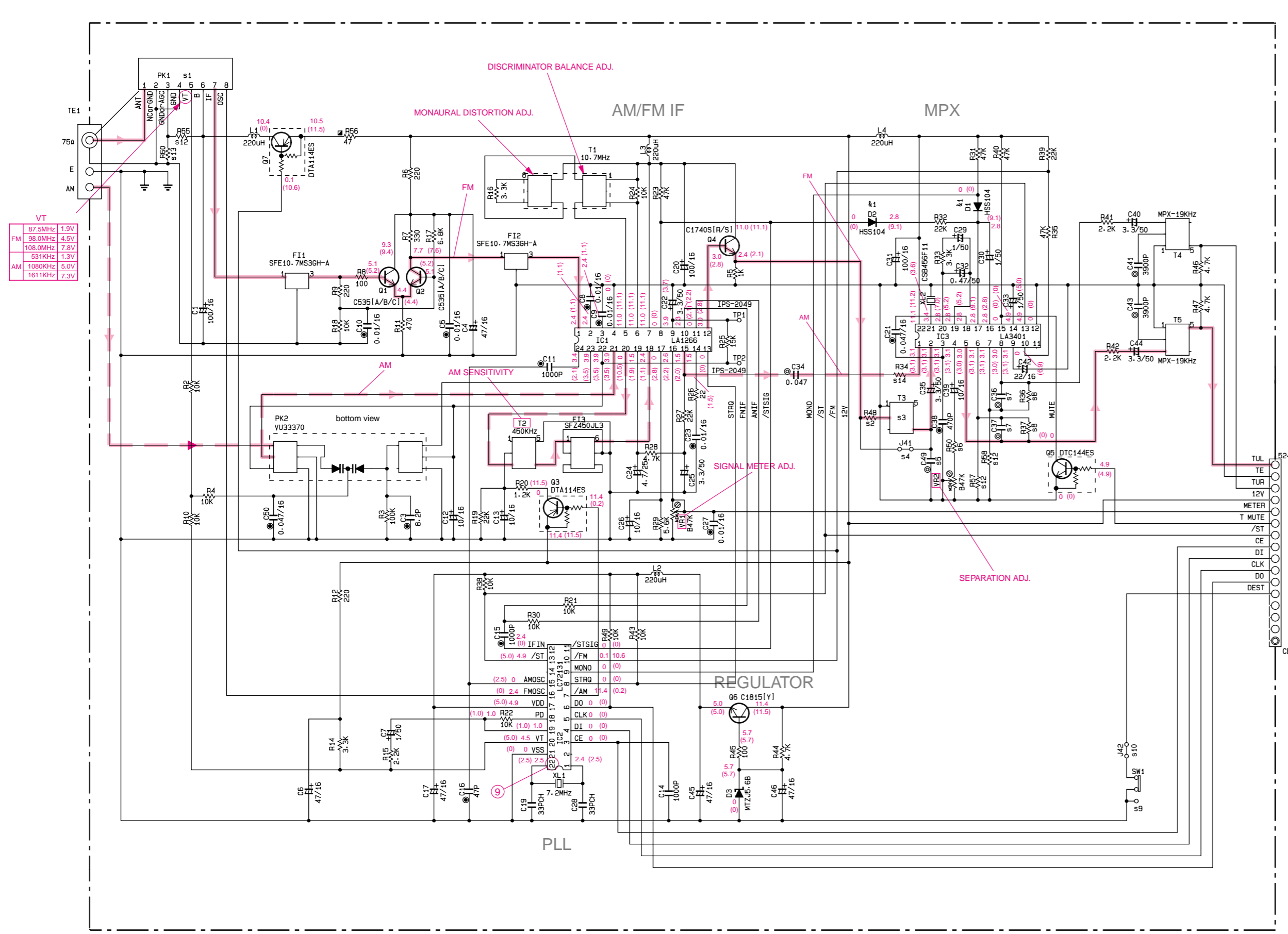
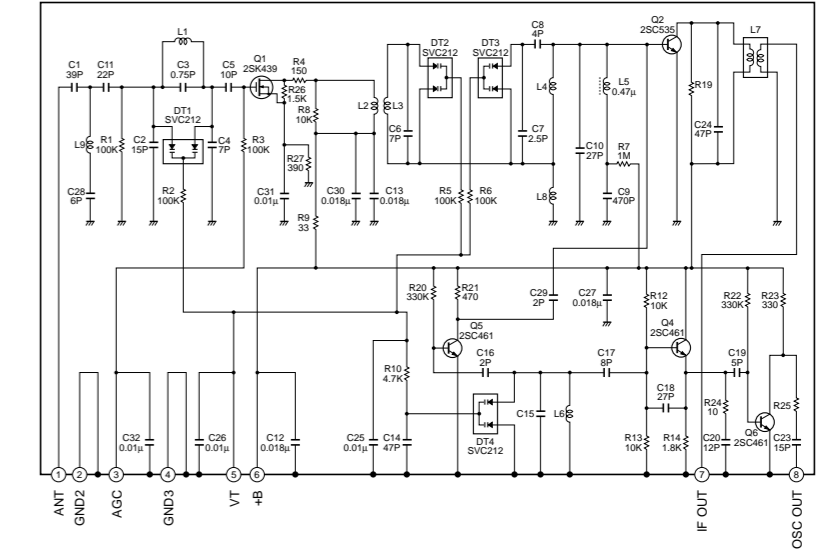
| S. | J | U.C | R. T | A. B. G. L |
|----|-----------|------------------|------------------|------------------|
| | V251850 | V561860 | V251870 | V251880 |
| 1 | PK1 | V290900 | V290910 | V271670 |
| 2 | R48 | / | / | 4.7K |
| 3 | T3 | / | / | XYA2 VT48680 |
| 4 | J41 | ○ | ○ | / |
| 5 | C49 | 2200P UA95322 | 2200P UA95322 | 120P UA95212 |
| 6 | R50 | 22K | 22K | 1K |
| 7 | C36-37 | 680P UA95268 | 1000P UA95310 | 1000P UA95310 |
| 8 | R36-37 | 75K | 75K | 180K |
| 9 | SW1 | / | / | V560260 |
| 10 | J42 | / | / | ○ |
| 11 | / | / | / | / |
| 12 | R55-57-58 | / | / | 270K |
| 13 | R60 | / | / | 180K |
| 14 | R34 | 10K | 10K | 27K |

○ : USED
 □ : NOT USED

PK1 : ENV-172C8G1R (V290910) U, C, R, T models



PK1 : ENV-172A4G1 (V2716700) A, B, G, L models

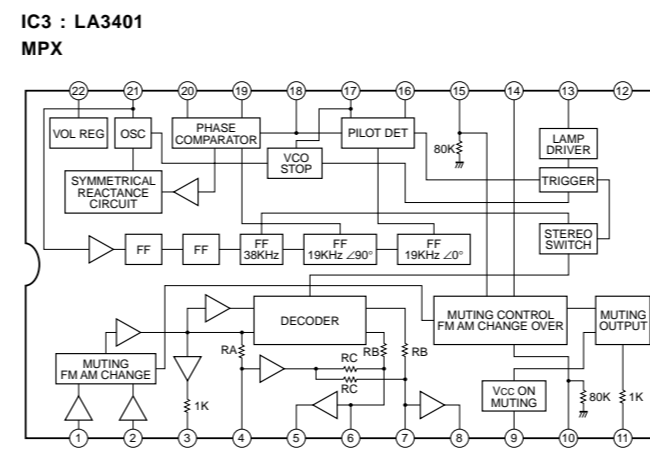
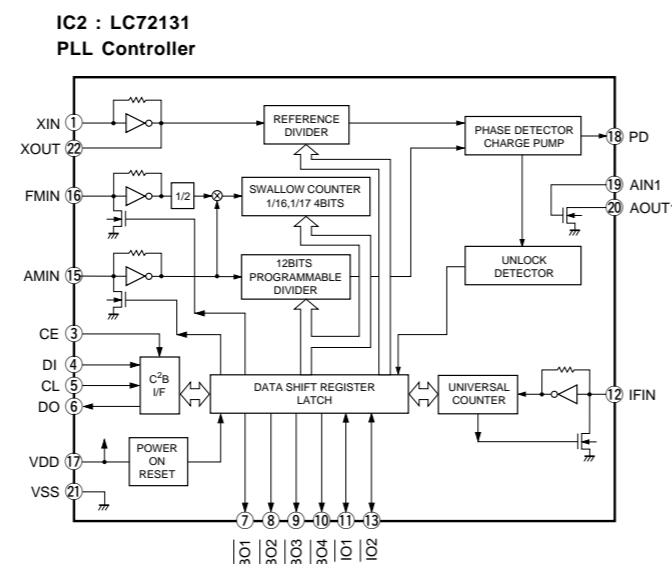
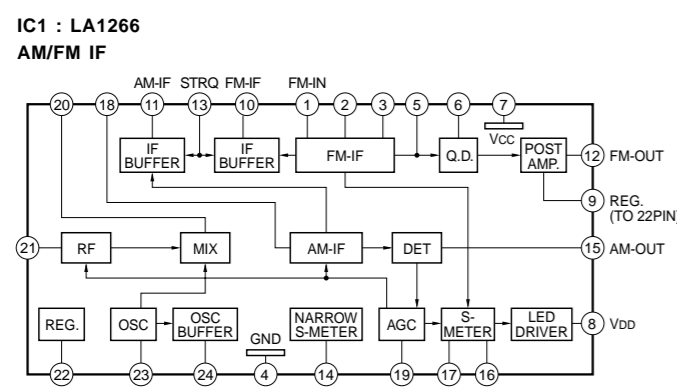
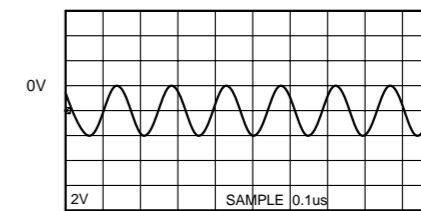


VT

| | | |
|---------|----------|------|
| 87.5MHz | 1.9V | |
| FM | 98.0MHz | 4.5V |
| | 108.0MHz | 7.8V |
| | 151.0MHz | 1.3V |
| AM | 1080kHz | 5.0V |
| | 1611kHz | 7.3V |

P-E94/J86
K-6

Point ⑨ (Pin22 of IC2)
 V : 2V/div H : 0.1 μsec/div
 DC range 1 : 1 probe



* All voltage are measured with a 10MΩ/V DC electric volt meter.
 * Components having special characteristics are marked △ and must be replaced with parts having specifications equal to those originally installed.
 * Schematic diagram is subject to change without notice.