

MINI COMPONENT SYSTEM GX-700 GX-700VCD SERVICE MANUAL

GX-700VCD

GX-700 is composed of GX-700, NX-GX500, NXC700 and NX-E700.
GX-700VCD is composed of GX-700VCD, NX-GX500, NXC700 and NX-E700.
NX-C700 requires replacement as a unit.
NX-E700 requires replacement as a unit.

IMPORTANT NOTICE

This manual has been provided for the use of authorized YAMAHA Retailers and their service personnel. It has been assumed that basic service procedures inherent to the industry, and more specifically YAMAHA Products, are already known and understood by the users, and have therefore not been restated.

WARNING: Failure to follow appropriate service and safety procedures when servicing this product may result in personal injury, destruction of expensive components, and failure of the product to perform as specified. For these reasons, we advise all YAMAHA product owners that any service required should be performed by an authorized YAMAHA Retailer or the appointed service representative.

IMPORTANT: The presentation or sale of this manual to any individual or firm does not constitute authorization, certification or recognition of any applicable technical capabilities, or establish a principle-agent relationship of any form.

The data provided is believed to be accurate and applicable to the unit(s) indicated on the cover. The research, engineering, and service departments of YAMAHA are continually striving to improve YAMAHA products. Modifications are, therefore, inevitable and specifications are subject to change without notice or obligation to retrofit. Should any discrepancy appear to exist, please contact the distributor's Service Division.

WARNING: Static discharges can destroy expensive components. Discharge any static electricity your body may have accumulated by grounding yourself to the ground buss in the unit (heavy gauge black wires connect to this buss).

IMPORTANT: Turn the unit OFF during disassembly and part replacement. Recheck all work before you apply power to the unit.

CONTENTS

TO SERVICE PERSONNEL	1~2	CD ERROR MESSAGES	18
GX-700 PANELS	3~4	CD STANDARD OPERATION CHART	19~22
GX-700VCD PANELS	5	ADJUSTMENTS	23~25
SPECIFICATIONS	6	IC DATA	26~32
INTERNAL VIEW	7	DISPLAY DATA	33~34
DISASSEMBLY PROCEDURES	8~12	BLOCK DIAGRAM	35~39
VOLUME RANGE	13	PRINTED CIRCUIT BOARD	40~64
SYSTEM CONTROL CHECK	13	PIN CONNECTION DIAGRAM	65
TEST MODE	14	SCHEMATIC DIAGRAM	66~74
SYSTEM TEST MODE	14	PARTS LIST	75~110
RECEIVER TEST MODE	15~16	GREASE APPLICATION DIAGRAM	111~112
TAPE TEST MODE	16	GX-700 REMOTE CONTROL TRANSMITTER	113
CD TEST MODE	17	GX-700VCD REMOTE CONTROL TRANSMITTER	114
ALL FUNCTION TEST MODE	18	NX-GX500	115



このサービスマニュアルは、エコマーク認定の再生紙を使用しています。
 This Service Manual uses recycled paper.



■ TO SERVICE PERSONNEL

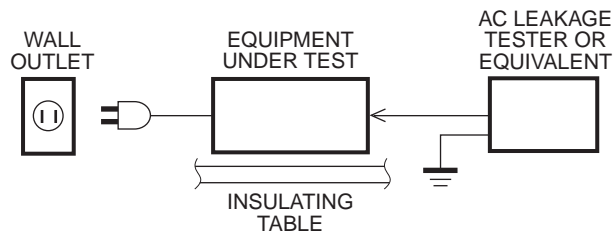
1. Critical Components Information.

Components having special characteristics are marked and must be replaced with parts having specifications equal to those originally installed.

2. Leakage Current Measurement (For 120V Models Only).

When service has been completed, it is imperative to verify that all exposed conductive surfaces are properly insulated from supply circuits.

- Meter impedance should be equivalent to 1500 ohm shunted by 0.15 μ F.



- Leakage current must not exceed 0.5mA.
- Be sure to test for leakage with the AC plug in both polarities.



“CAUTION”

“F201 : FOR CONTINUED PROTECTION AGAINST RISK OF FIRE, REPLACE ONLY WITH SAME TYPE 2.0A, 125V FUSE.”

“F202 : FOR CONTINUED PROTECTION AGAINST RISK OF FIRE, REPLACE ONLY WITH SAME TYPE 4.0A, 125V FUSE.”

CAUTION

F201 : REPLACE WITH SAME TYPE 2.0A, 125V FUSE.

F202 : REPLACE WITH SAME TYPE 4.0A, 125V FUSE.

ATTENTION

F201 : UTILISER UN FUSIBLE DE RECHANGE DE MEME TYPE DE 2.0A, 125V.

F202 : UTILISER UN FUSIBLE DE RECHANGE DE MEME TYPE DE 4.0A, 125V.

CAUTION : USE OF CONTROLS OR ADJUSTMENTS OR PERFORMANCE OF PROCEDURES OTHER THAN THOSE SPECIFIED HEREIN MAY RESULT IN HAZARDOUS RADIATION EXPOSURE.

THE COMPACT DISC PLAYER SHOULD NOT BE ADJUSTED OR REPAIRED BY ANYONE EXCEPT PROPERLY QUALIFIED SERVICE PERSONNEL.

PROTECTION OF EYES FROM LASER BEAM DURING SERVICING

This set employs a laser. Therefore, be sure to carefully follow the instructions below when servicing .

1. Laser Diode Properties

- Material : GaAlAs
- Wavelength : 780 nm
- Emission Duration : Continuous
- Laser Output : max. 44.6 μ W*

* This output is the value measured at a distance of about 200 mm from the objective lens surface on the Optical Pick-up Block.

2. When checking the laser diode emission, keep your eyes more than 30 cm away from the objective lens.

WARNING: CHEMICAL CONTENT NOTICE!

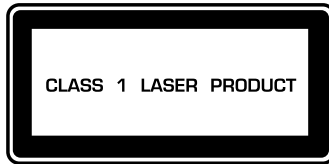
The solder used in the production of this product contains LEAD. In addition, other electrical/electronic and/or plastic (where applicable) components may also contain traces of chemicals found by the California Health and Welfare Agency (and possibly other entities) to cause cancer and/or birth defects or other reproductive harm.

DO NOT PLACE SOLDER, ELECTRICAL/ELECTRONIC OR PLASTIC COMPONENTS IN YOUR MOUTH FOR ANY REASON WHATSOEVER!

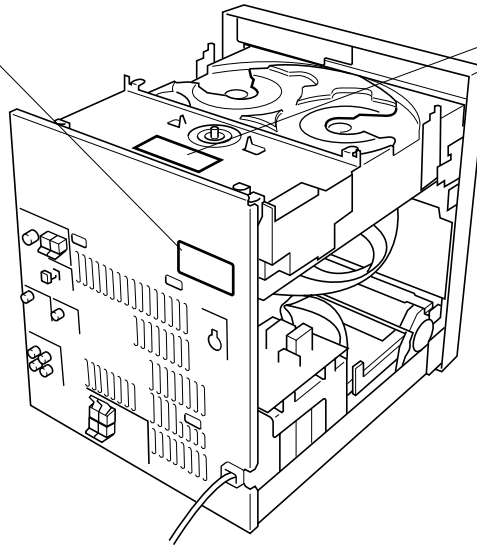
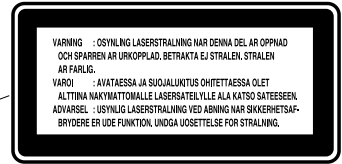
Avoid prolonged, unprotected contact between solder and your skin! When soldering, do not inhale solder fumes or expose eyes to solder/flux vapor!

If you come in contact with solder or components located inside the enclosure of this product, wash your hands before handling food.

① B, G, R, L, T models



② B, G, R, L, T models

**English**

- ① THIS PRINTING (SEE POSITION SHOWN IN THE ILLUSTRATION) INFORMS THE USER THAT THE APPARATUS CONTAINS A LASER COMPONENT.
- ② THIS LABEL (SEE POSITION SHOWN IN THE ILLUSTRATION) WARNS THAT ANY FURTHER PROCEDURE WILL BRING THE USER INTO EXPOSURE WITH THE LASER BEAM.

CAUTION : USE OF CONTROLS, ADJUSTMENTS OR PERFORMANCE OF PROCEDURES OTHER THAN THOSE SPECIFIED HEREIN, MAY RESULT IN HAZARDOUS RADIATION EXPOSURE.

Swedish

- ① DENNA MÄRKNING (SE FIGUR) UPPLYSER OM ATT DET I APPARATEN INGÅR EN LASERKOMPONENT AV TYP KLAS 1.
- ② VARNINGSMÄRKNING (SE FIGUR) FÖR STRÅLNING. INGREPP I APPARATEN BÖR ENDAST FÖRETAGAS AV FACKMAN MED KÄNNEDOM OM LASER. APPARATEN INNEHÅLLER EN LASERKOMPONENT SOM AVGER STRÅLNING ÖVERSTIGANDE GRÄNSEN FÖR LASERKLASS 1.

VARNING : OSYNLIG LASERSTRÅLNING NÄR DENNA DEL ÄR ÖPPNAD: BETRAKTA EJ STRÅLEN.

Danish

- ① DETTE MÆRKAT ER ANBRAGT SOM VIST I ILLUSTRATIONEN FOR AT ADVARE BRUGEREN OM AT APPARATET INDEHOLDER EN LASERKOMPONENT.
- ② DETTE MÆRKAT OM LASEREN ER ANBRAGT PÅ APPARATET SOM EN OPLYSNING OM AT APPARATET INDEHOLDER ET LASERKOMPONENT.

ADVARSEL : INDGREG BOR KUN FORETAGES AF EN FAGMAND DA DER ER RISIKO FOR RADIOAKTIV STRÅLING.

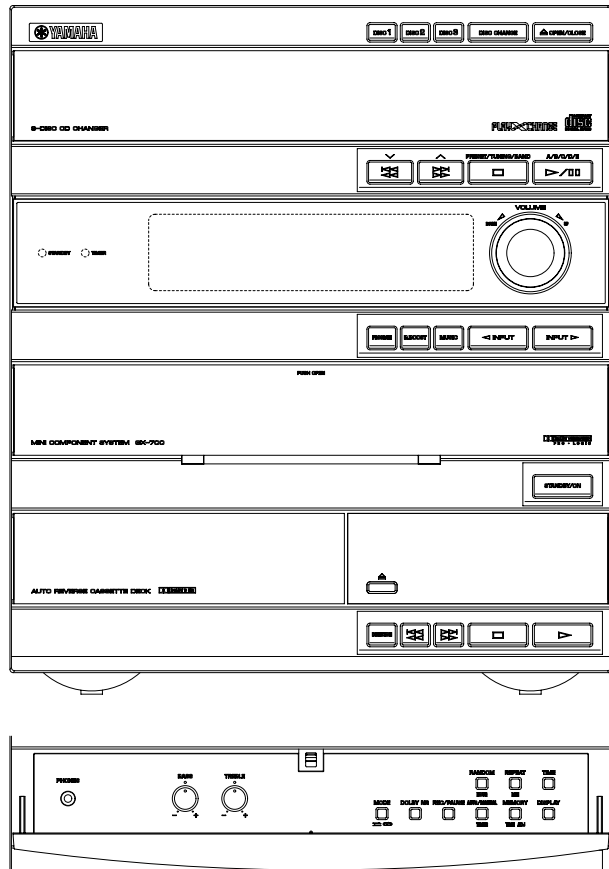
ADVARSEL : USYNLIG LASERSTRÅLING VED ÅBNING.
UNDGÅ UDSAETTELSE FOR STRÅLING.

Finnish

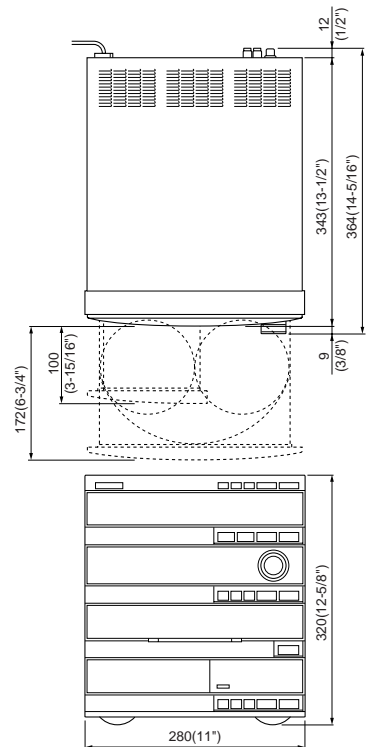
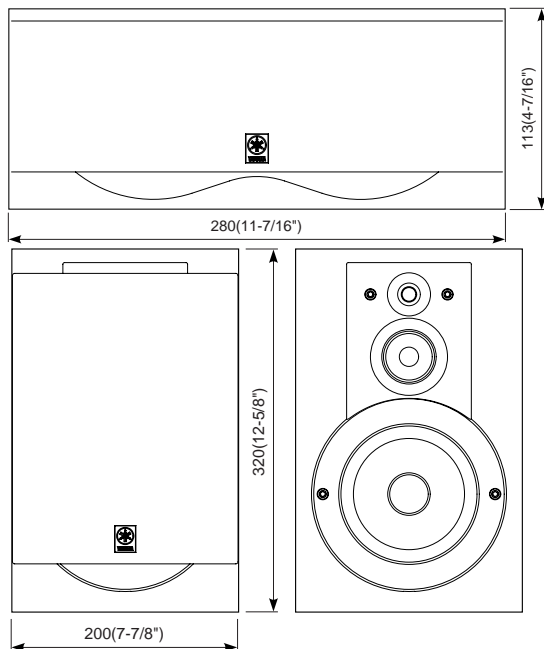
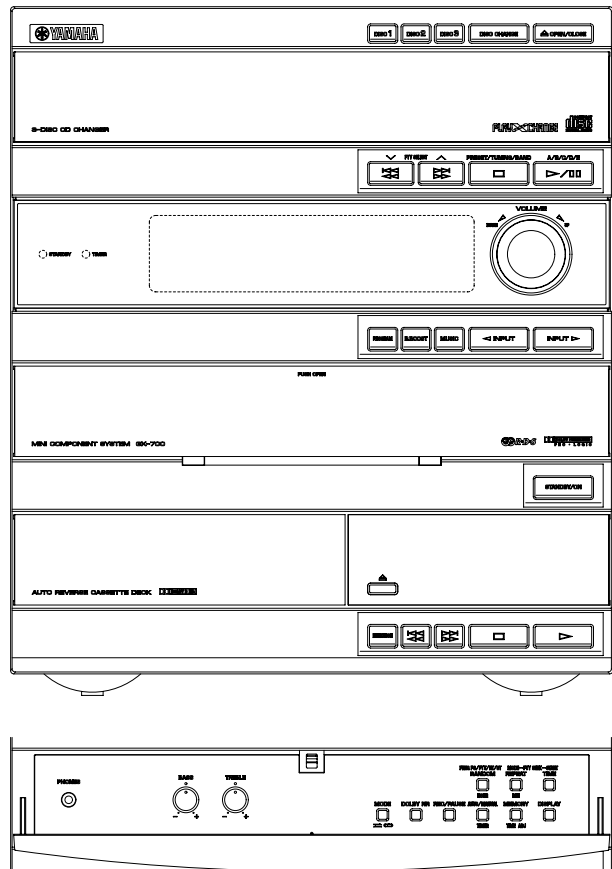
VARO! :
AVATTAESSA OLET ALTTIINA NÄKYMÄTTÖMÄLLE LASERSÄTEILYLLE. ÄLÄ KATSO SÄTEESEEN.

■ GX-700 PANELS

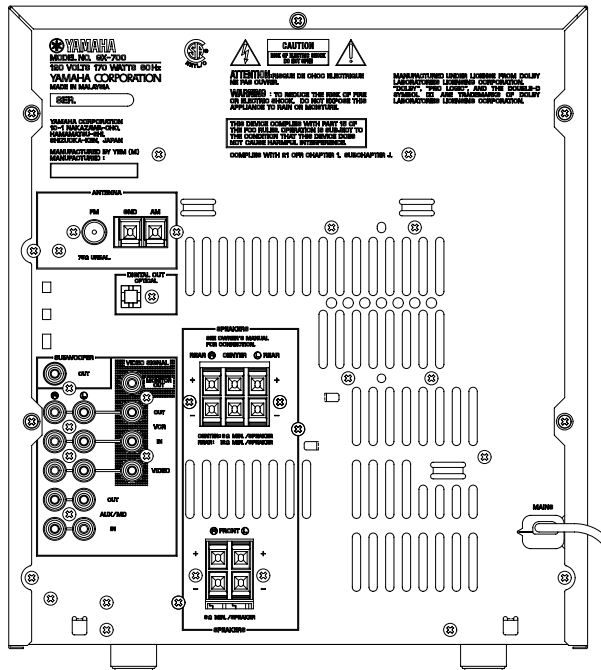
▼ U, C, R, A models



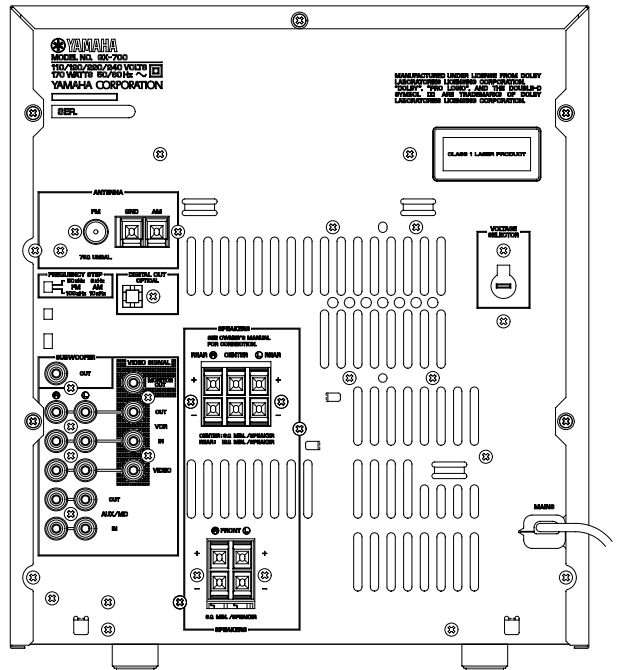
▼ B, G models



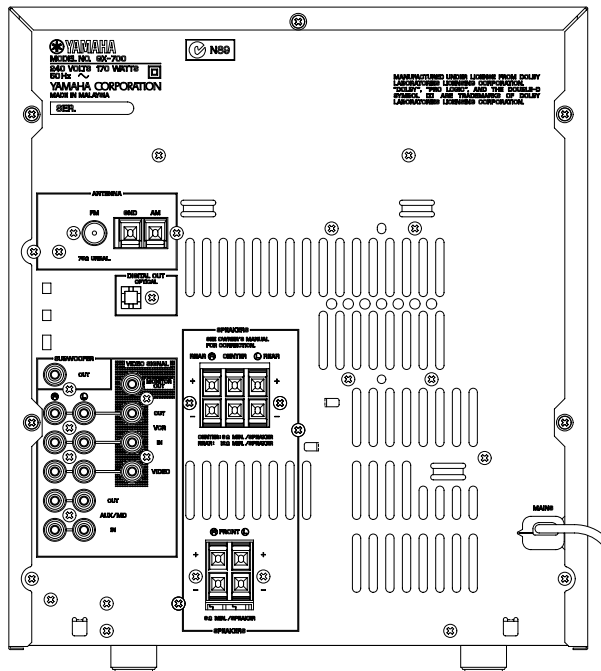
▼ U, C models



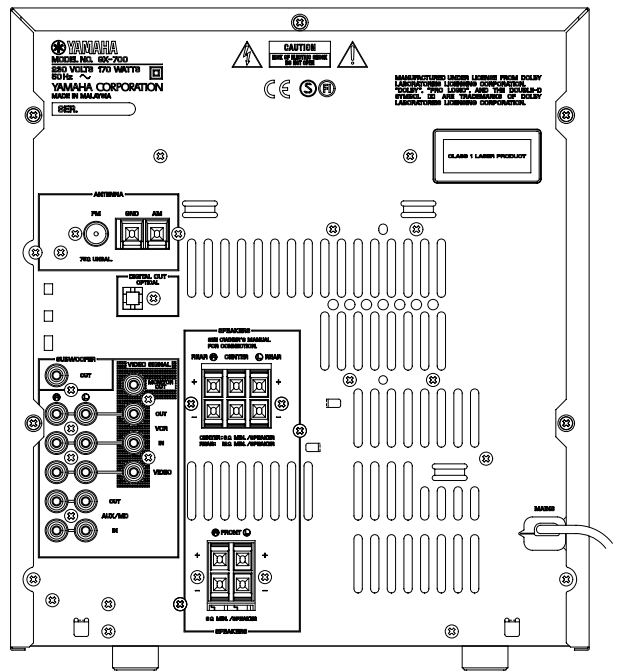
▼ R model



▼ A model



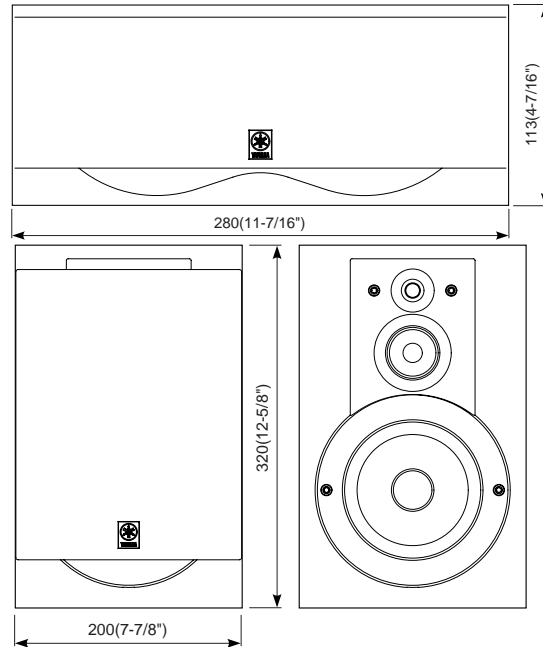
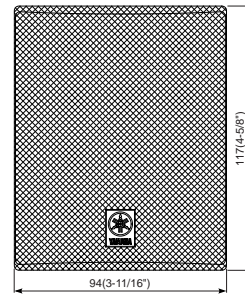
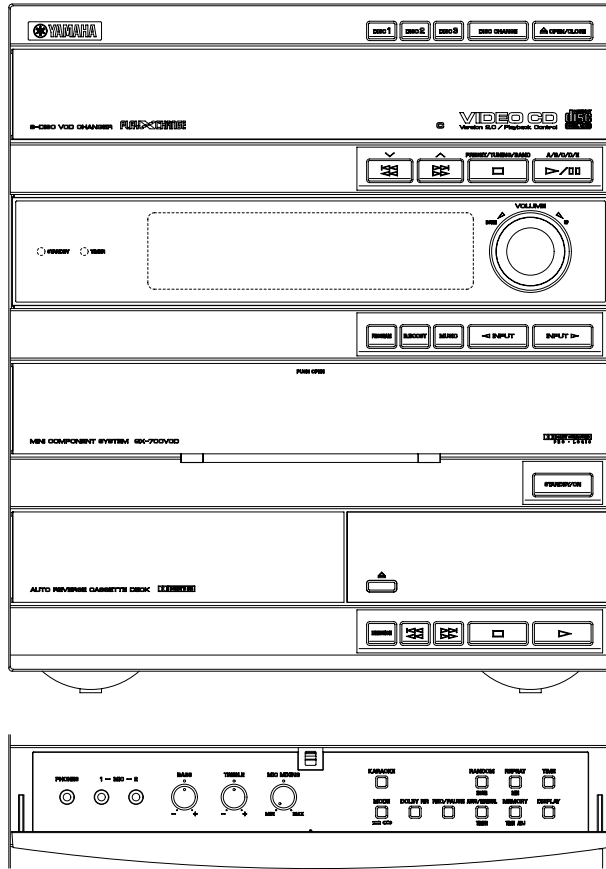
▼ B, G models



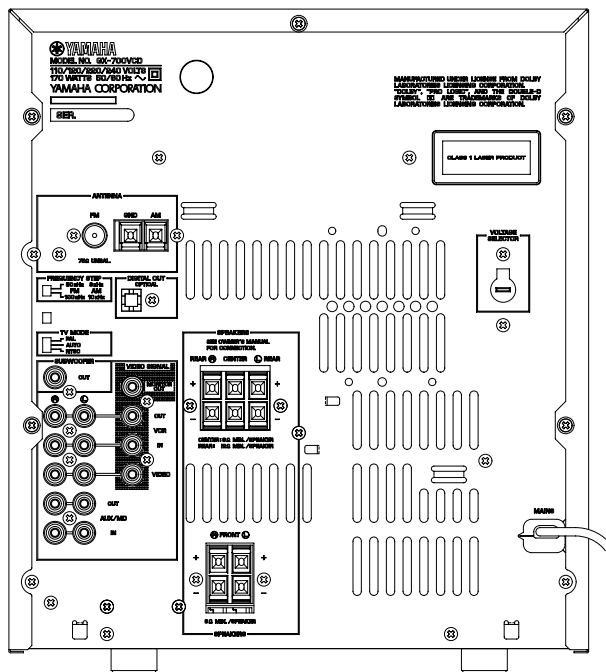
GX-700VCD

■ GX-700VCD PANELS

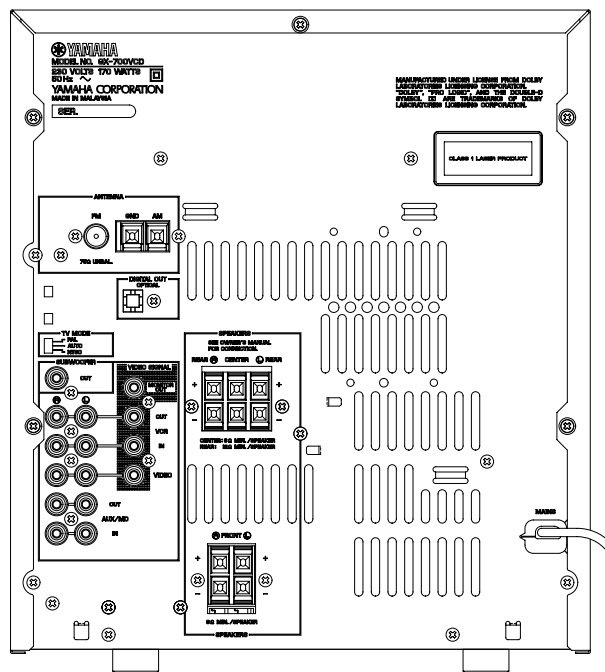
GX-700/VCD



▼ R, T models



▼ L model



■ SPECIFICATIONS

■ AMPLIFIER SECTION

Minimum RMS Output Power per Channel

FRONT, 1kHz, 0.9% THD, 6Ω	80W + 80W
FRONT, 1kHz, 10% THD, 6Ω	100W + 100W
CENTER, 1kHz, 0.9% THD, 6Ω	80W
CENTER, 1kHz, 10% THD, 6Ω	100W
REAR, 1kHz, 0.9% THD, 6Ω	25W
REAR, 1kHz, 10% THD, 6Ω	30W

Input Sensitivity/Impedance

AUX/MD	200mV/47kΩ
--------	------------

Spectrum Analyzed Band

	5 band (100Hz, 350Hz, 1kHz, 3.5kHz, 10kHz)
--	---

■ VIDEO SECTION (GX-700VCD only)

Signal Level	1Vp-p/75Ω
--------------	-----------

■ TUNER SECTION

FM Tuning Range

U, C models	87.5 to 107.9MHz
R, T models	87.5 to 108.0MHz/87.50 to 108.00MHz
A, B, G, L models	87.50 to 108.00MHz

AM Tuning Range

U, C models	530 to 1,710kHz
R, T models	530 to 1,710kHz/531 to 1,611kHz
A, B, G, L models	531 to 1,611kHz

FM Usable Sensitivity (75Ω)

30dB S/N Quieting, Mono, 1kHz, 100% mod. R, U, C, L, T models	1.5μV (14.8dBf)
DIN Mono, S/N 26dB (A, B, G only)	1.8μV

■ CD CHANGER SECTION

Type	3-Disc Carousel Auto-changer
------	------------------------------

Signal Readout	Non-contact, 3-beam semi-conductor laser pick-up
----------------	---

D/A Converter	1bit DAC
---------------	----------

Filter	8-time oversampling digital filter
--------	------------------------------------

Wow & Flutter	Unmeasurable
---------------	--------------

■ TAPE DECK SECTION

Type	Auto Reverse 4-Track 2-Channel playback/recording stereo Cassette Deck
------	---

Heads

REC/PB	Hard permalloy
Erase	Double Gap Ferrite

Motors

Main	DC servo motor
Tray Loading	DC motor

Wow & Flutter

W.PEAK	±0.19%
W.RMS	0.09%

Frequency Response (-20dB)

Type I/Normal tape	50 to 15,000Hz ± 3dB
Type II/High (CrO ₂) tape	50 to 16,000Hz ± 3dB

S/N Ratio

NR off	58dB
Dolby B NR on	66dB

■ FRONT SPEAKER SECTION (NX-GX500)

Type	3-Way Bass-reflex Design (Magnetic-Shielding Type)
------	---

Speakers	13cm (5-1/8") woofer 5cm (1-15/16") tweeter 2cm (13/16") super tweeter
----------	--

Frequency Range	60 to 20,000Hz
-----------------	----------------

Maximum Input	240W
---------------	------

Impedance	6Ω
-----------	----

Sound Pressure Level	87dB/1m • 2.45V (1W/6Ω)
----------------------	-------------------------

■ CENTER SPEAKER SECTION (NX-C700)

Type	Full Range (Magnetic-Shielding Type)
------	---

Speakers	8cm (3-1/8") full range X 2
----------	-----------------------------

Frequency Range	120 to 20,000Hz
-----------------	-----------------

Maximum Input	170W
---------------	------

Impedance	6Ω
-----------	----

Sound Pressure Level	87dB/1m • 2.45V (1W/6Ω)
----------------------	-------------------------

■ REAR SPEAKER SECTION (NX-E700)

Type	Full Range (Magnetic-Shielding Type)
------	---

Speakers	8cm (3-1/8") full range
----------	-------------------------

Frequency Range	150 to 20,000Hz
-----------------	-----------------

Maximum Input	40W
---------------	-----

Impedance	12Ω
-----------	-----

Sound Pressure Level	84dB/1m • 2.45V (1W/6Ω)
----------------------	-------------------------

■ GENERAL

Power Supply

U, C models	AC120V, 60Hz
A model	AC240V, 50Hz
B, G, L models	AC230V, 50Hz
R, T models	AC110/120/220/240V, 60/50Hz

Power Consumption	170W (approx. 1W when set to the standby mode)
-------------------	---

Dimensions (W X H X D)

GX-700	280 X 320 X 364mm (11" X 12-5/8" X 14-5/16")
NX-GX500	200 X 320 X 218mm (7-7/8" X 12-5/8" X 8-9/16")
NX-C700	280 X 113 X 177mm (11-7/16" X 4-7/16" X 6-15/16")
NX-E700	94 X 117 X 108mm (3-11/16" X 4-5/8" X 4-1/4")

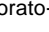
Weight

GX-700	10.7kg (23 lbs. 9 oz)
NX-GX500	3.8kg (8 lbs. 6 oz)/each
NX-C700	2.0kg (4 lbs. 6 oz)
NX-E700	0.7kg (1 lbs. 8 oz)/each

Accessories

AM loop antenna	X 1
Indoor FM antenna	X 1
Remote Control Transmitter	X 1
Battery (size "AA", R06)	X 2
Speaker Cord (Front, Center, Rear)	X 5
Screws (Rear)	X 2
Pads (Center)	X 4
Mounting Brackets (Rear)	X 2

* Specifications subject to change without notice.

* Manufactured under license from Dolby Laboratories Licensing Corporation. "DOLBY", "PRO LOGIC", and the double-D symbol  are trademarks of Dolby Laboratories Licensing Corporation.

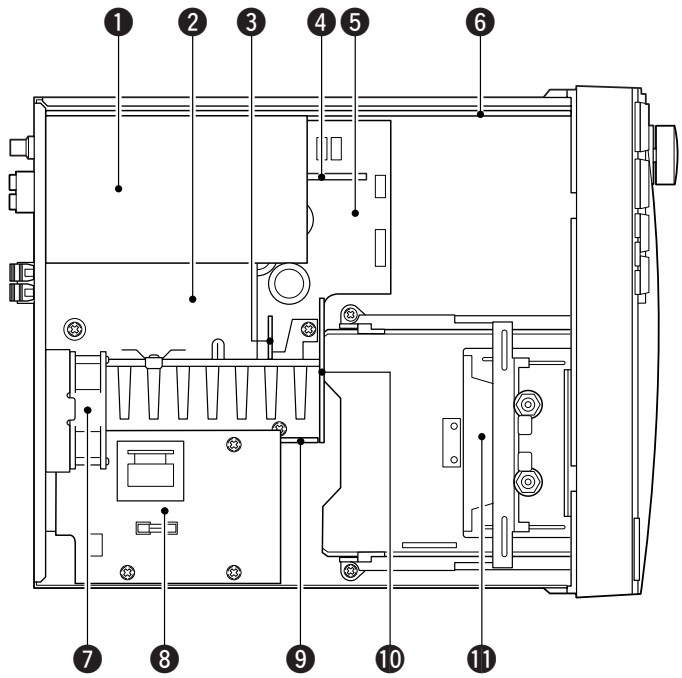
U U.S.A. model
C Canadian model
A Australian model
B British model

G European model
R General model
L Singapore model
T China model

INTERNAL VIEW

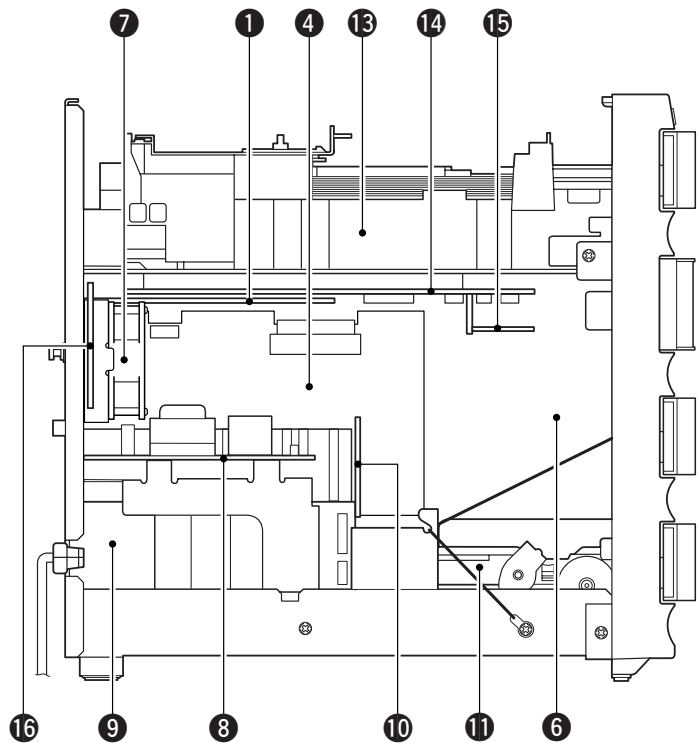
GX-700/VCD

Top side



- ① P.C.B. TUNER
- ② P.C.B. EFFECT (2)
- ③ P.C.B. MAIN (5)
- ④ P.C.B. EFFECT (1)
- ⑤ P.C.B. MAIN (1)
- ⑥ P.C.B. INPUT (1)
- ⑦ FAN
- ⑧ P.C.B. MAIN (2)
- ⑨ P.C.B. MAIN (3)
- ⑩ P.C.B. MAIN (6)
- ⑪ DECK MECHANICAL UNIT

Left side



- ⑬ GX-700 CD MECHANICAL UNIT
GX-700VCD VCD MECHANICAL UNIT
- ⑭ GX-700 P.C.B. CD
GX-700VCD P.C.B. VCD (1)
- ⑮ VCD MODULE (GX-700VCD only)
- ⑯ P.C.B. MAIN (4) (R, T only)

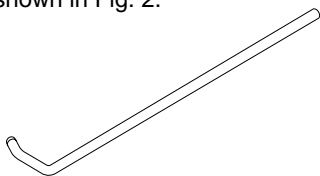
DISASSEMBLY PROCEDURES (Remove parts in the order as numbered.)

1. Removal of Top Cover

Remove 11 screws (①) in Fig. 1.

2. Removal of CD/VCD Mechanical Unit

- Disconnect the power cord from the AC outlet.
- Push the Friction Arm (the bottom side of the CD/VCD Mechanical Unit) with the Ejecting Tool or a tool like as shown in Fig. 2.



Ejecting Tool for CD Tray (TX946040)

- Pull the Tray forward approx. 5cm (2") and remove the CD Lid in Fig. 2.
- Push the Tray back to the original, closed position.
- Disconnect the Flat Connecting Cables (CB9) and remove 3 connectors (CB8 , CB7 and CB10) in Fig. 2
- Remove 4 screws (②) and then remove the CD Mechanical Unit in Fig. 1.

3. Removal of Panel Unit

- Rotate the Loading Gear, then open the Tray and remove the Cassette Lid in Fig. 2.
- Push the Tray back to the original, closed position.
- Disconnect the flat connecting cables (CB10, CB13 and CB11) and remove a connector (CB805) in Fig. 2.
- Remove 6 screws (③ and ④) and then remove the Panel Unit in Fig. 1.

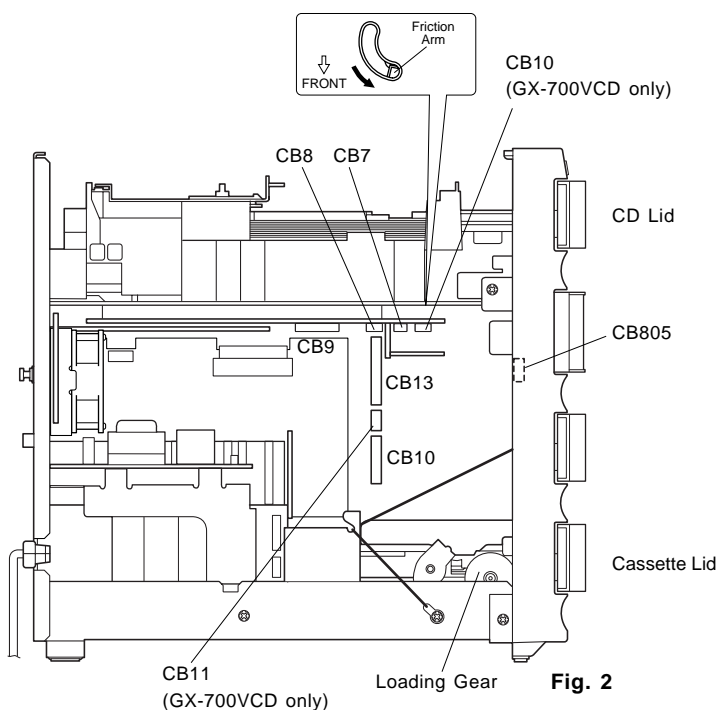


Fig. 2

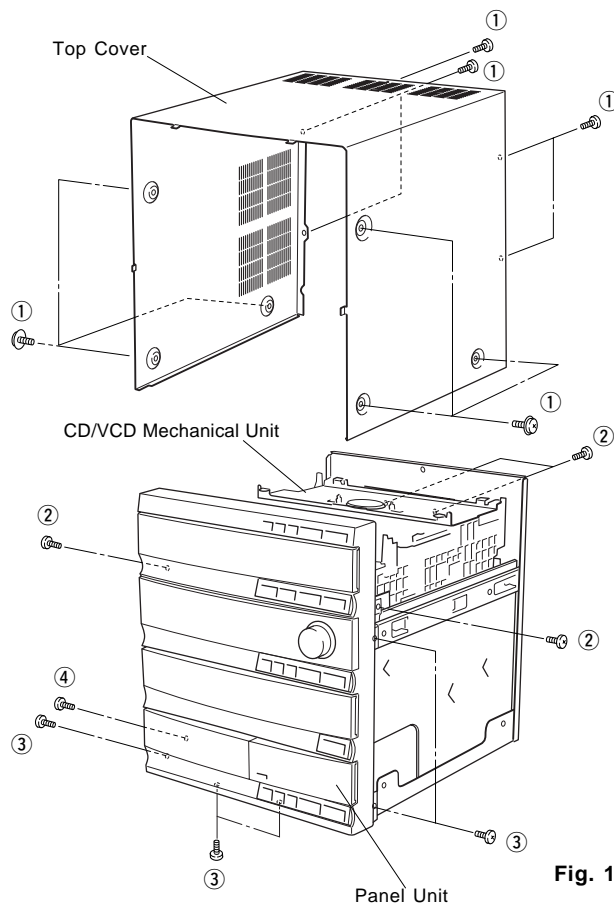


Fig. 1

4. Removal of Deck Mechanical Unit

- Remove 4 screws (⑤) and then remove the Deck Mechanical Unit in Fig. 3.
- Remove 3 connectors (W2, W3 and W4) in Fig. 3.

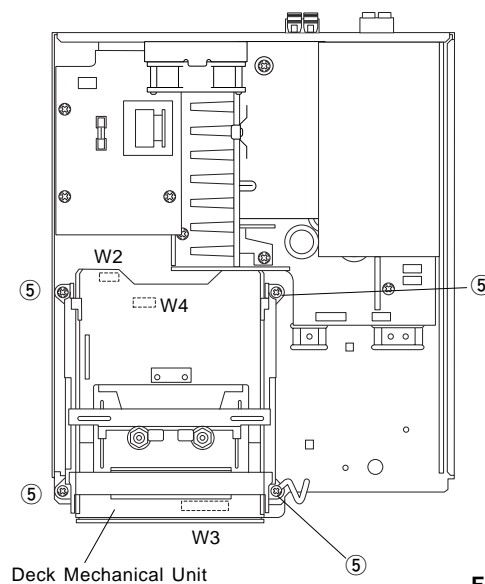


Fig. 3

5. Operation Check of P.C.B. CD/VCD

- a. Remove the CD Mechanical Unit.
- b. Remove 4 screws (⑥) and then remove the P.C.B. CD/VCD in Fig. 4.
- c. Place blocks (at 3 locations) to hold the CD Mechanical Unit horizontally as shown in the Fig. 5.
- d. Connect the Flat Connecting Cable (CB9) and 3 connectors (CB8, CB7 and CB10) in Fig. 4 and Fig. 5.
- e. Connect the power plug and turn on the Power Switch.

GX-700/VCD

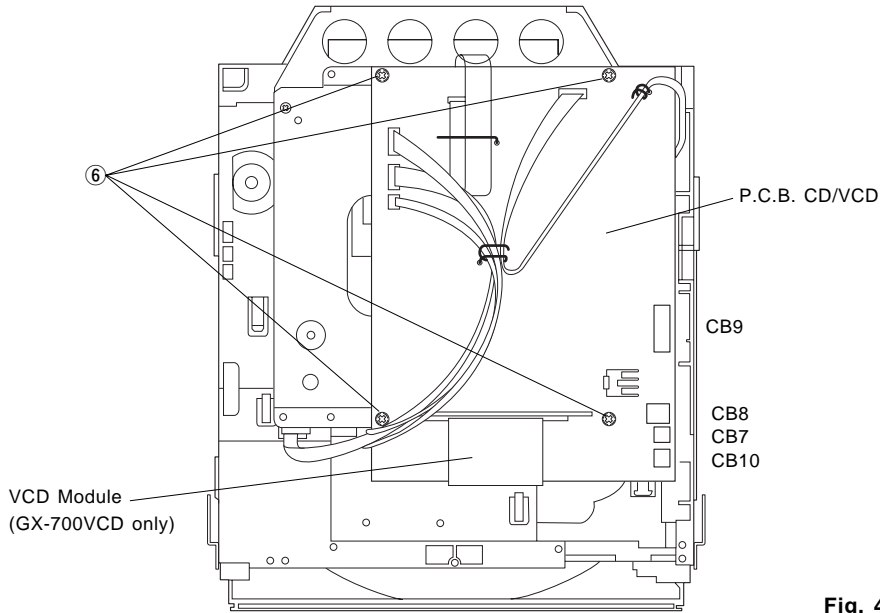


Fig. 4

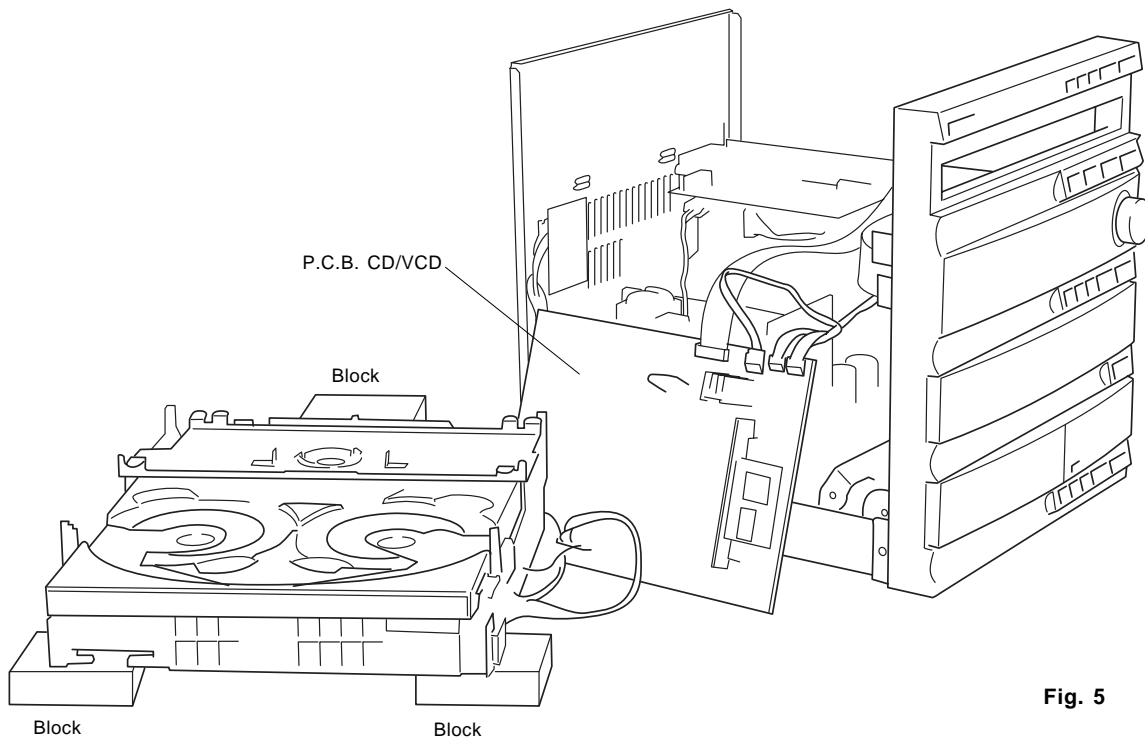


Fig. 5

6. Operation Check of P.C.B. Main (1)

- a. Remove the CD Mechanical Unit.
- b. Remove the Panel Unit.
- c. Remove the Deck Mechanical Unit.
- d. Remove 4 screws (⑦) and then remove the Fan in Fig. 6.
- e. Remove 5 screws (⑧) in Fig. 6.
- f. Remove 1 screw (⑨) and then remove the P.C.B. Main (2) in Fig. 7.
- g. Remove 3 screws (⑩) in Fig. 7.
- h. Remove 4 screws (⑪) and then remove the Power Transformer in Fig. 8.
- i. Place the main unit on its left side (viewed from the front) and remove the Bottom Cover in Fig. 9.
- j. Install the Panel Unit to the main unit in Fig. 9.
- k. Connect the flat connecting cables (CB10, CB13 and CB11) and remove a connector (CB805) in Fig. 2.
- l. Connect the power plug and turn on the Power Switch.

CAUTION

When the power to this equipment is turned on with the CD/VCD Mechanical Unit disconnected, the capacitor C255(4700/16) of the Main P.C.B. (CD/VCD power supply section) is charged. Connecting the CD/VCD P.C.B. in this state may cause damage to its IC. Therefore, when installing the CD/VCD Mechanical Unit, be sure to discharge the capacitor C255(4700/16) of the Main P.C.B. before making connections. (To discharge it, short the W201 terminal +B and GND with a resistor(270Ω 1W).)

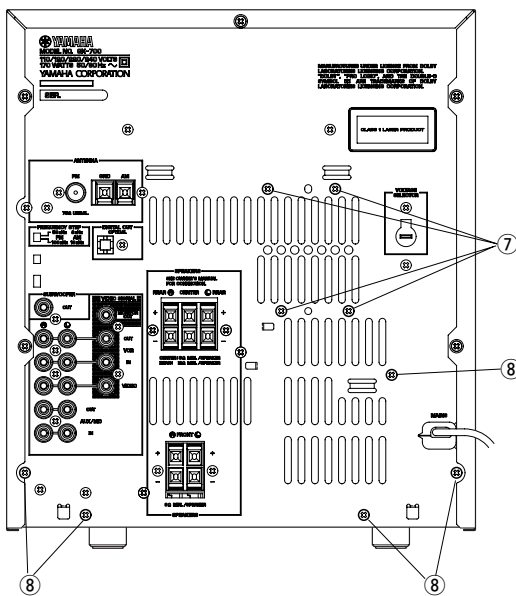


Fig. 6

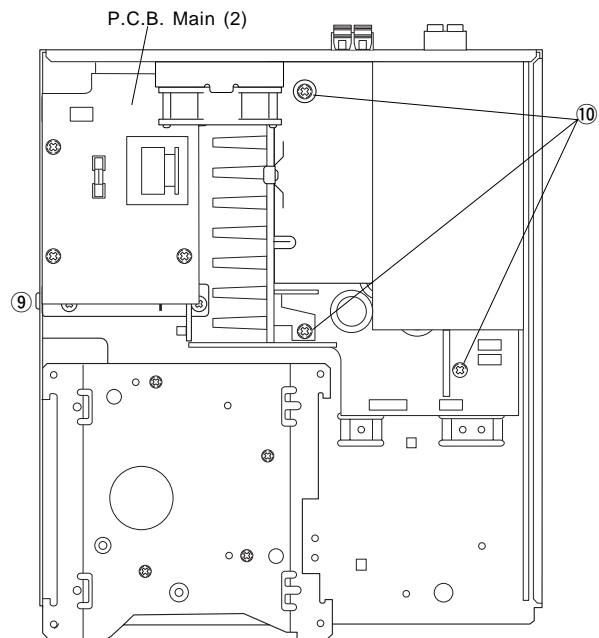


Fig. 7

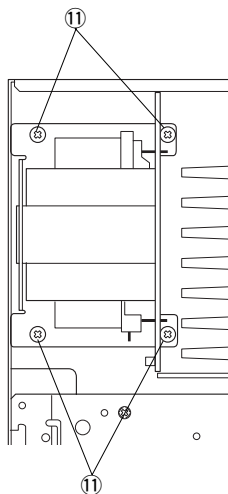
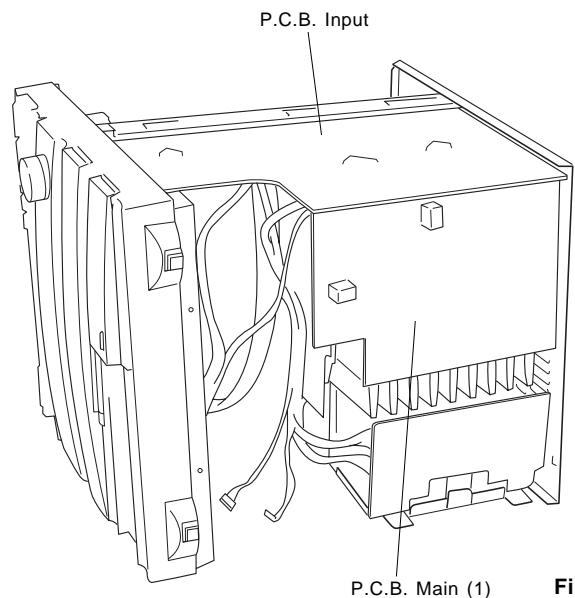


Fig. 8



P.C.B. Main (1)

Fig. 9

7. Removal of Tray & Traverse Unit

- a. Remove 4 screws (12) and then remove the Clamp Bracket in Fig. 10.
- b. Remove 2 screws (13) and then remove the Tray Brackets in Fig. 10.
- c. Push the Friction Arm (the bottom side of the CD Mechanical Unit) with a screwdriver or the like and pull out the Tray forward as in Fig. 10.
- d. Remove 4 screws (14) and take out the Slider in Fig. 11.
- e. Disconnect the Flat Connecting Cable (16P) and connectors (6P).
- f. Remove the Traverse Unit in Fig. 11.

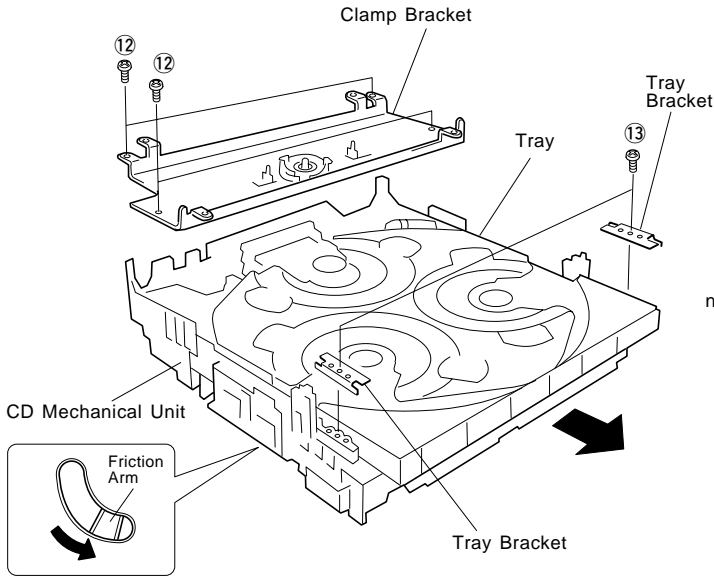


Fig. 10

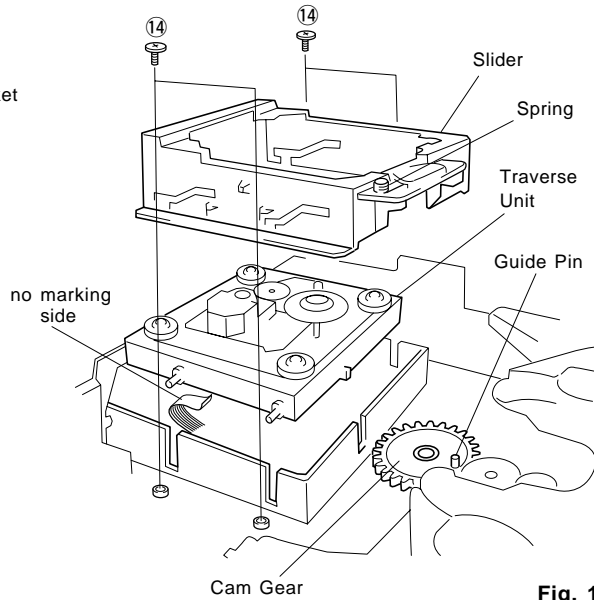


Fig. 11

● Precaution for Installation of Tray

Be sure to fit the shaft of the Friction Gear into the groove in the Tray.

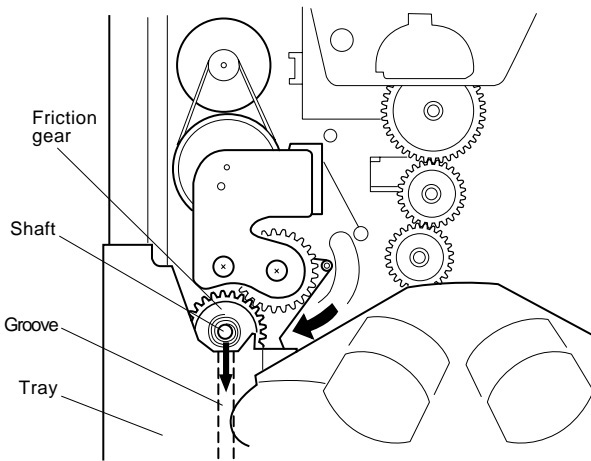


Fig. A

● Installation of Traverse Unit & Slider

- a. Fit the Traverse Unit into the Chassis.
- b. Turn the Cam Gear until its Guide Pin comes to the position as shown in Fig. 11.
- c. Fit the Slider into the Traverse Unit. Set the Spring of the Slider so that it holds down the Guide Pin of the Cam Gear (as shown in Fig. B). (Press the Spring of the Slider once and release it, and it will hold down the Guide Pin of the Cam Gear.)
- d. After installation, check that the Clamp moves up and down by turning the Load Gear.

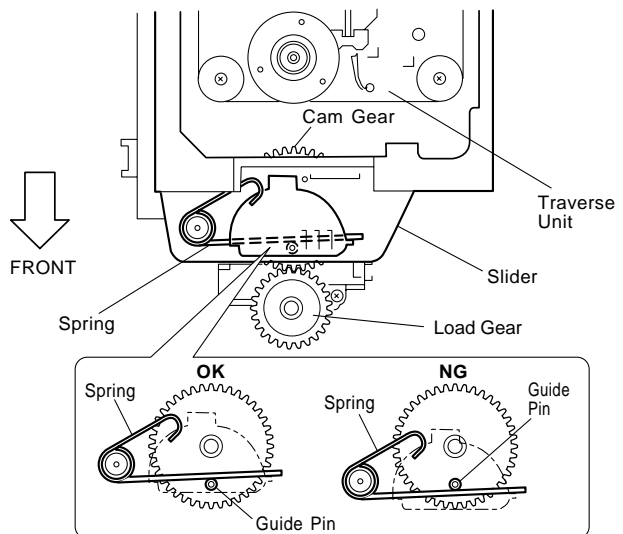


Fig. B

8. Removal of Pick-up Head

- a. Remove the Gear A in Fig. 12.
- b. Pull out the Sled Shaft and remove the Pick-up Head in Fig. 12.

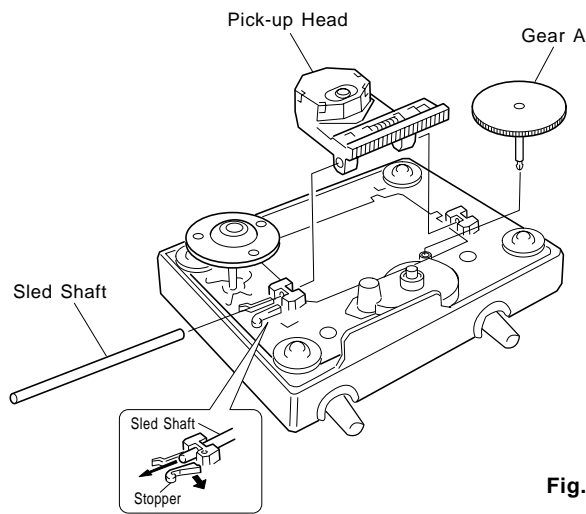


Fig. 12

- Check that the disc table height is as specified below.

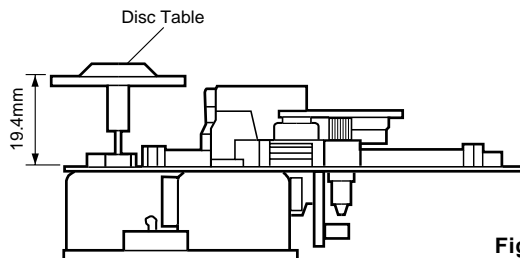


Fig. C

9. Removal of Cassette Mechanism

Remove 4 screws (15) and then pull out the Cassette Mechanism in Fig. 13.

10. Removal of Main Motor

Remove 2 screws (16) in Fig. 13.

11. Removal of Pinch Roller

Detach the hook and then remove the Pinch Roller in Fig. 14.

12. Removal of Head Ass'y

- a. Remove 1 screw (17) and then remove the Relay P.C.B. in Fig. 14.
 - b. Remove 2 screws (18) and then remove the Head Ass'y in Fig. 14.
- * Perform the adjustment of azimuth after installing the Head Ass'y.

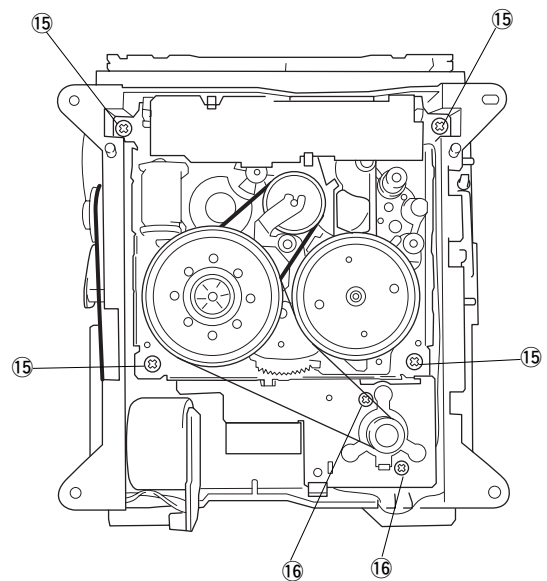


Fig. 13

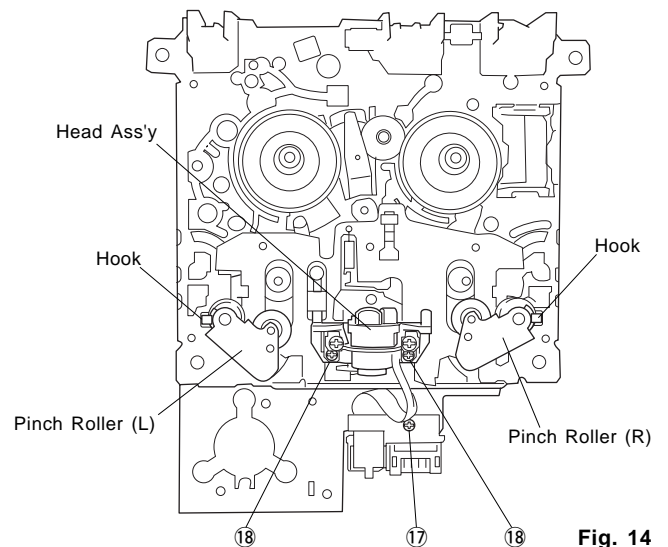


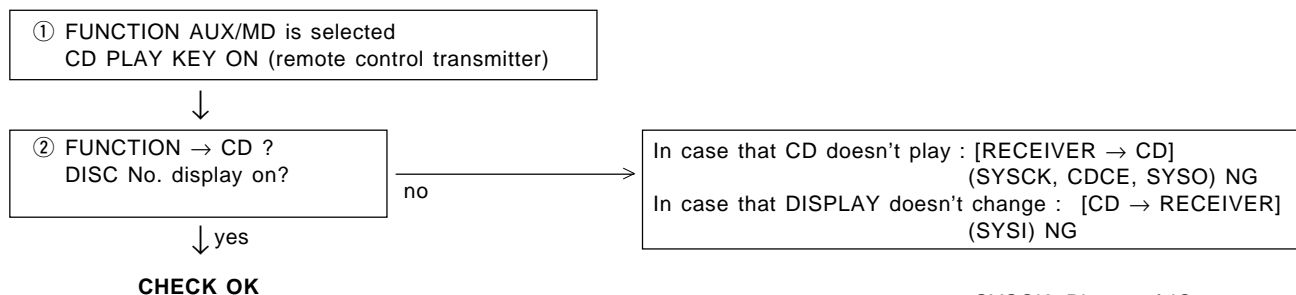
Fig. 14

■ VOLUME RANGE

DISPLAY	dB	DISPLAY	dB	DISPLAY	dB
VOL MIN	-∞	VOL 10	-55	VOL 56	-9
VOL 01	-79	VOL 11	-54	VOL 57	-8
VOL 02	-73	.	1dB step	VOL 58	-7
VOL 03	-68			VOL 59	-6
VOL 04	-64			VOL 60	-5
VOL 05	-61			VOL 61	-4
VOL 06	-59			VOL 62	-3
VOL 07	-58			VOL 63	-2
VOL 08	-57			VOL 54	-11
VOL 09	-56	VOL 55	-10	VOL MAX	0

NOTE) When VOLUME is at minimum, MUTE of AMP is on.

■ SYSTEM CONTROL CHECK



SYSCK: Pin 20 of IC8
 CDCE: Pin 25 of IC8
 SYSO: Pin 21 of IC8
 SYSI: Pin 22 of IC8

■ TEST MODE

To facilitate inspection, measurement and location of any faulty point, 6 types of built-in Test Mode are provided, one for each section.

- System Test Mode : Test mode for the system section. It is also used when entering the test mode for each section.
- Receiver Test Mode : Test mode for the receiver section
- Tape Test Mode : Test mode for the deck section
- CD Test Mode : Test mode for the CD section
- MD Test Mode : Test mode for the MD section (unused for this unit)
- All Function Test Mode : Test mode for all functions

■ SYSTEM TEST MODE

This test mode is used for the system section. Also, this mode must be executed first when entering the test mode for each section.

Starting Procedure

In the STANDBY mode, press the STANDBY/ON button while pressing the RANDOM button and the PLAY/PAUSE(CD) button simultaneously. Once the SYSTEM TEST MODE is set, causal factors for the previous power off appear on the FL display.

Causal factors for power off at starting

Display	Description
<Key Operate	Power off by button operation
<Off Timer	Power off by Off Timer setting
<Sleep Timer	Power off by Sleep Timer function
<Auto Off	Power off by Auto Power Off function
<I-Protect	Power off by detection of an abnormal current value
<V-Protect	Power off by detection of an abnormal voltage value
<Temp Over	Power off by detection of an abnormal temperature value
<AC Cut	Power off by AC power cut
<??	Unknown

Operation Procedure (Selection/finalizing of TEST MODE for each section)

- 1) Select the TEST MODE by the section name, pressing the ▷INPUT (up) or ◁INPUT (down) button.

Display	Description	Ref. page
<Key Operate	Causal factors for power off are displayed. (This state is available immediately after starting.)	14
Test RECEIVER	RECEIVER TEST MODE	15
Test TAPE	TAPE TEST MODE	16
Test CD	CD TEST MODE	17
Test MD	MD TEST MODE (Unused for this unit)	—
Test All Func	ALL FUNCTION TEST MODE	18
Escape Test	The test mode is canceled.	—

- 2) Pressing the MUSIC button will shift the mode to the selected test mode.
For the details of the selected test mode, refer to the Ref. page in the above step 1).

RECEIVER TEST MODE

When RECEIVER TEST MODE is set through SYSTEM TEST MODE, "01 G.E.TEST" appears on the FL display. (01 is the test program No.)

Test programs from 01 to 25 are incorporated in RECEIVER TEST MODE.

Operation Procedure (Selection/execution of Test Program)

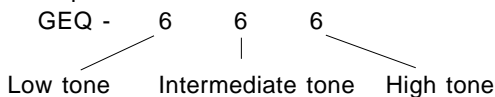
- 1) Select the test program by pressing the ▷▷TAPE (up) or ◀◀TAPE (down) button.
- 2) Pressing the STANDBY/ON button will execute the selected test program.
- 3) Repeat selection/execution of the test program as necessary.

No. & DISPLAY	FUNCTION	PURPOSE & OPERATION
01 G , E , TEST	Equalizer check mode	Used to check EQ. Pressing the STANDBY/ON button will set the Equalizer Test mode. For the details, refer to page 16.
02 FL + CLEAR	FL display full lighting, RAM CLEAR	Used for lighting of all display segments and clearing of RAM. (Note that the user memory will be cleared.) At the first pressing of the STANDBY/ON button, all display segments light up and at the second pressing, MEMORY and M-CLEAR light up for 2 seconds and RAM of CPU is initialized. (The product mode is restored.) (Presetting of the tuner becomes the manufacturer preset state.)
03 FL FULL	FL display full lighting	Used to check lighting of all display segments. At the first pressing of the STANDBY/ON button, all display segments light up and at the second pressing, this mode is canceled. (The product mode is restored.)
04 APO - ON/OFF 05 RDS - OFF/ON 06 A , PS - ON/OFF 07 A , M , - RDS/ALL 08 CT > C - ON/OFF 09 L > CT - ON/OFF 10 PSR2 - ON/OFF 11 RTBL - ON/OFF 12 SEC - OFF/ON	Do not use No. 04 to 12 functions as they are not for servicing.	
13 Temp	Temperature Detection & Fan Control	Used to check the fan. Pressing the STANDBY/ON button sets the fan test mode. (The detected temperature and the fan control level are displayed. For the details, refer to page 16.)
14 PEAK - ON/OFF 15 AMPC - OFF/ON 16 CDCH - ON/OFF 17 REM CODE 18 L , EN - ON/OFF 19 ALL CH > 20 RDS E / F 21 SUR TEST 22 KEYC - OFF/ON 23 AM - IF	Do not use No. 14 to 23 functions as they are not for servicing.	
24 CANCEL	Used to cancel the test program. (The product mode is restored when the STANDBY/ON button is pressed.)	
25 DEST	Destination display mode	

Equalizer test mode (Test program No. 01)

When the equalizer test mode is set, "GEQ - xxx" is displayed. "xxx" represents the 3 band value of GEQ. It is possible to set the GEQ value directly, using the buttons on the remote control unit.

Example : To obtain flat



Displayed value	0	1	2	3	4	5	6	7	8	9	A	B	C
Gain (dB)	-12	-10	-8	-6	-4	-2	0	+2	+4	+6	+8	+10	+12

Operation Procedure

- To set a value for each band
[0] to [9], [A(TIME)], [B(PROG)], [C(R.TIME)]
- To set all bands to Min (-12dB)
[D(EDIT)]
- To set all bands to Max (+12dB)
[E(+10)]
- To cancel this test mode, press the STANDBY/ON button. (The production mode will be restored.)

Fan test mode (Test program No. 13)

When the fan test mode is set, "Temp xx y" is displayed. "xx" represents the detected temperature of the Power IC and "y" the value of the fan control level. It is possible to run the fan regardless of the detected temperature.

Operation Procedure

Pressing the ▷INPUT (up) or ◁INPUT (down) button causes the fan control level value to change. To cancel this test mode, press the STANDBY/ON button. (The production mode will be restored.)

● MAKER'S PRESET

BAND	MARKETS	PRESET No.							
		1	2	3	4	5	6	7	8
FM (MHz)	U, C, R, T (100k/10k)	98.1	95.1	87.5	101.5	107.9	88.1	106.1	107.9
	A, B, G, L, R, T (50k/9k)	98.10	95.10	87.50	101.50	108.00	88.10	106.10	107.90
AM (kHz)	U, C, R, T (100k/10k)	630	1080	1400	530	1710	900	1350	1440
	A, B, G, L, R, T (50k/9k)	630	1080	1404	531	1611	900	1350	1440

NOTE 1) PRESET PAGE A : FM B : AM C : FM D : AM E : FM

CAUTION : When executing Test program No. 2 RAM CLEAR, be sure to write down the preset memory contents of the tuner, using a table like the one shown below. Execution of RAM CLEAR will set the memory contents of the tuner back in the factory preset state which means that all the memories preset by the user will be erased.

Preset group	P1	P2	P3	P4	P5	P6	P7	P8
A								
B								
C								
D								
E								

■ TAPE TEST MODE

When TAPE TEST MODE is set through SYSTEM TEST MODE, "Tape Test XXXX" appears on the FL display. (XXXX is the counter value.)

The operation condition of the deck section will be as follows.

- When the reverse mode is set to "endless", the number of playback repetition becomes unlimited. (It is set to "8 " times in the product mode.)
- When in the REC mode, AUX/MD is used automatically for the input source.

■ CD TEST MODE

When CD TEST MODE is set through SYSTEM TEST MODE, "00 TM1 0: 00" appears on the FL display.

The CD TEST MODE is enabled. Each button operates as follows for each mode. The MODE No. is increased by pushing "+10" button.

Button	MODE 1	MODE 2	MODE 3
" 0 "	Open/close the tray	Focus search	Cancel adjust pass *2
" 1 "	Clamp up/down	Play (PLL)	Auto adjustment mode 1 *1 Tracking Offset, Focus Offset, Focus Gain
" 2 "	DISC change	Play (without PLL)	Auto adjustment mode 2 *1 Tracking Balance, Tracking Gain
" 3 "	Mechanism home process	Focus on, Tracking off, Feed off	Auto adjustment mode 3 *1 Focus Gain, Tracking Gain, Focus Balance
" 4 "	Jump to test mode 4	+10 track kick	Read and display the servo coefficient
" 5 "	Tray close, Clamp down	-10 track kick	Displayed servo coefficient address up
" 6 "	—	+1 track kick	Displayed servo coefficient address down
" 7 "	Enter normal operation (without mecha. INIT.)	-1 track kick	Displayed servo coefficient increment
" 8 "	Enter normal operation	+30 track kick	Displayed servo coefficient decrement
" 9 "	Start TEST REPEAT (Do not use this function as it is not for servicing.)	-30 track kick	Send the displayed servo coefficient *2

Button	MODE 4	MODE 5 (GX-700VCD only)
" 0 "	Feed forward (outer direction)	CD-ROM module load
" 1 "	Feed backward (inner direction)	CD-G module load
" 2 "	Rotate the disc motor	Decoder play command
" 3 "	Retard the disc motor	Decoder pause command
" 4 "	port TBLL ← Low, port TBLR ← High	Decoder abort command
" 5 "	port TSLW High/Low alternate	Decoder soft reset
" 6 "	Tray port control (open/close)	Decoder hard reset
" 7 "	Line mute on/off	—
" 8 "	—	—
" 9 "	Jump to Test mode 1	—

*1 "Adj-" lights during the adjustment and disappears at the end of the adjustment.

*2 When the mode is reset to the Production Mode after the servo coefficients are renewed by this operation, auto adjustment is not available unless the auto adjustment pass function is cancelled.

The following buttons test mode functions do not depend on the test mode No.

OPEN/CLOSE	Open/close the tray
DISC CHANGE	Clamp up/down
<input type="checkbox"/> (STOP)	Controls for the tray, the disc table and clamping stop. STANDBY command for the servo system.
<input type="checkbox"/> / <input type="checkbox"/>	Play (PLL)
<input type="checkbox"/>	Feed forward (outer direction)
<input type="checkbox"/>	Feed backward (inner direction)
DISC 1	Tray close, clamber down

[VCD Module condition check]

If the VCD module is in a good condition, the blue background appears on the monitor screen when in the CD test mode.

If the blue background does not appear, the possibility is that the VCD module has failed.

NOTE: None of the components of the VCD module can be supplied separately. Only a VCD module unit (VZ150200) is available.

■ ALL FUNCTION TEST MODE

When ALL FUNCTION TEST MODE is set through SYSTEM TEST MODE, "AUX/MD" appears on the FL display.

The operation condition in this mode will be as follows.

- AUX/MD is used as the input source of the receiver section, which is then set to the Dolby Pro Logic mode (GX-700VCD only).
- When a CD is loaded, Full Repeat Play is executed automatically for it.
- When a cassette tape is loaded, Endless Rec Play is executed by the cassette deck automatically.

■ CD ERROR MESSAGES

Error message can be obtained on the display by pushing STOP and TIME buttons simultaneously when CD has stopped (sometimes with the tray open) by a defect.

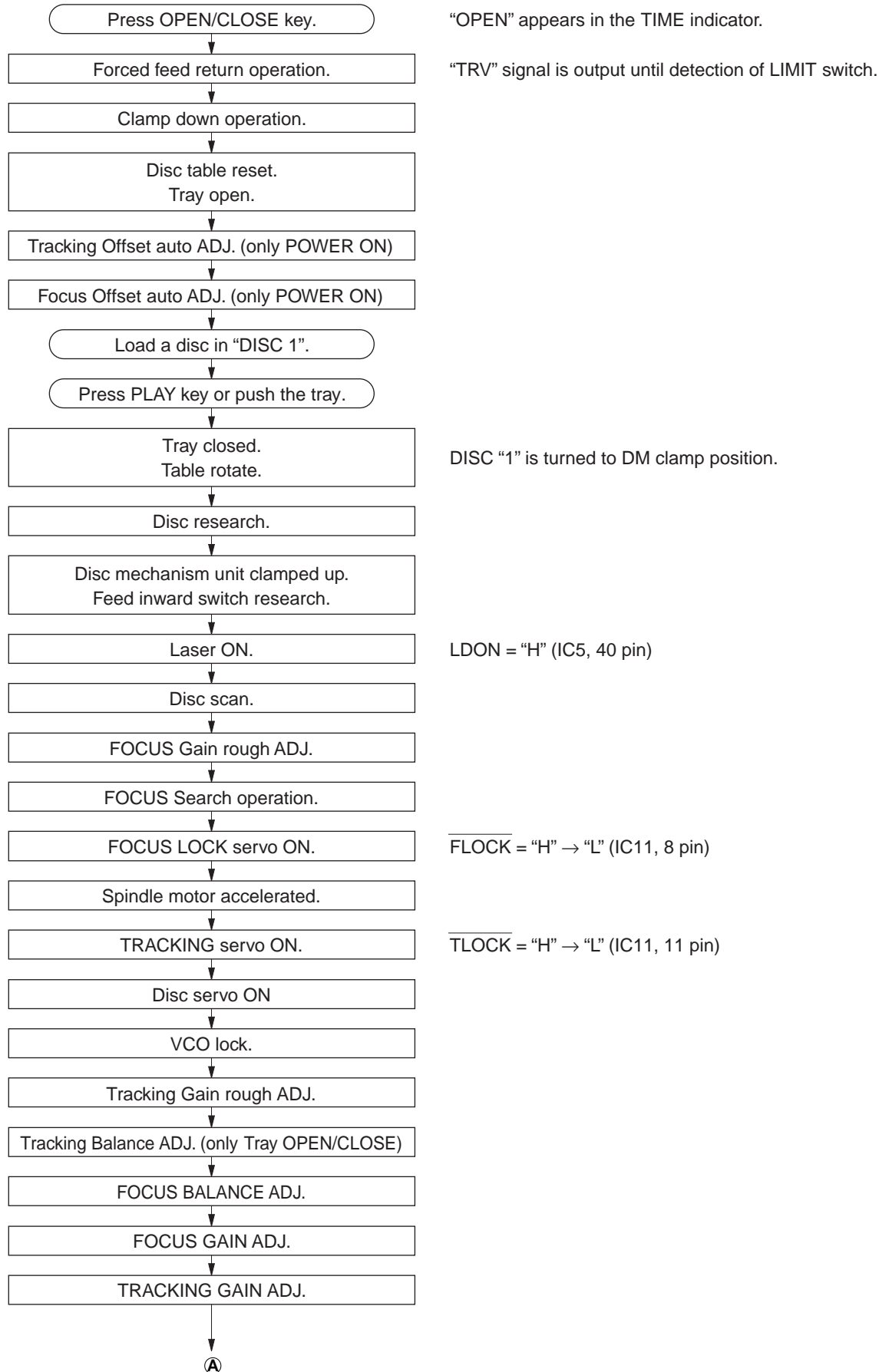
INDICATION	STATE	CONTENTS OF ERROR
E-10	PLAY	CD fails in the disc data reading after the state shift.
E-20	SCAN	
E-30	PAUSE	
E-70	SEARCH	
E-11	PLAY	CD fails in the disc data reading.
E-21	SCAN	
E-31	PAUSE	
E-73	SEARCH	CD fails in the TOC data reading.
E-04	LOAD, SEARCH	Tracking servo is not effective at the disc motor servo PLL.
E-14	LOAD, SEARCH	Disc motor servo PLL is not effective.
E-35		CD fails in focus search.
E-06	SEARCH, PLAY, PAUSE	CD fails in escaping from the lead-in area.
E-47	SEARCH	The inner limit switch does not operate at the feed inner control.
E-57	STOP	
E-77	LOAD, EJECT, CHANGE	
E-18	PLAY	CD fails in recovery from the focus out.
E-28	SCAN	
E-38	PAUSE	
E-48	SEARCH	
E-68	LOAD, DISC CHANGE	
E-AA		Clamp down switch does not operate at the clamp down control.
E-AB		Clamp up switch does not operate at the clamp up control.
E-AC		Close switch does not operate at the tray close control.
E-AD		Open switch does not operate at the tray open control.
E-AE		CD fails in the table control.
E-AF		CD fails in the mecha. home process.
MN ERR		MN662741 does not give response of SENSE with resetting by the units microcomputer.

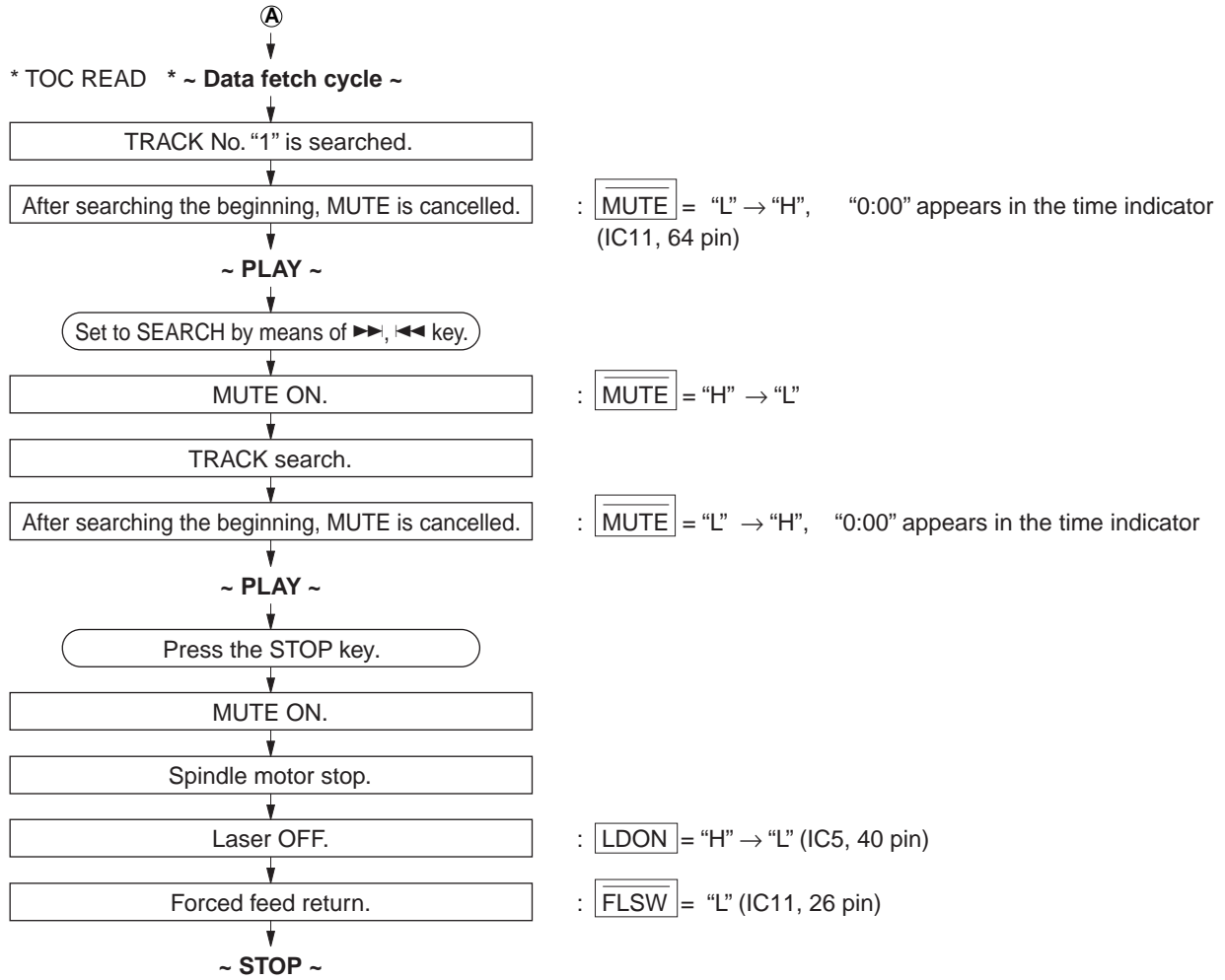
When "MECHA ER" message appears on the display;

Possible symptoms are, the clamp does not move up or down, the table does not turn, mecha. sensor switch malfunctions, etc. The normal operation may be restored by tuning off the power once and then on again. If it does not work in this way, disassemble the CD mechanical unit and investigate the cause of the failure.

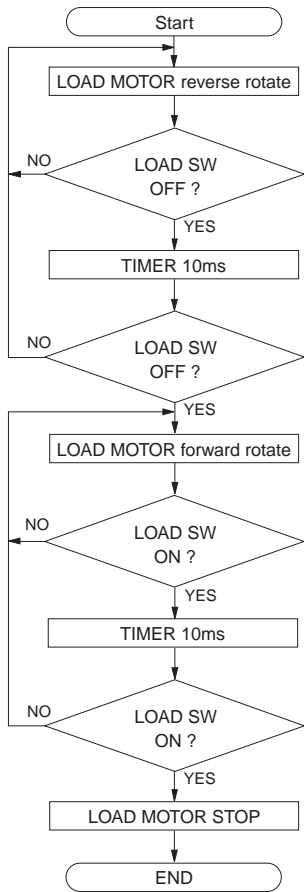
■ CD STANDARD OPERATION CHART

GX-700/VCD

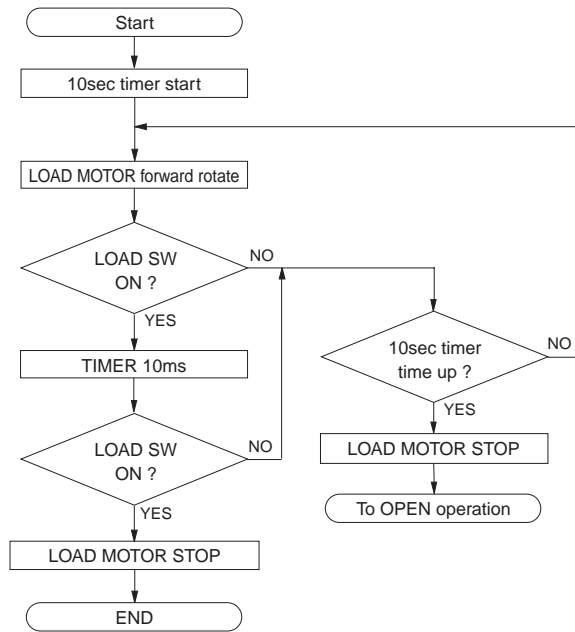




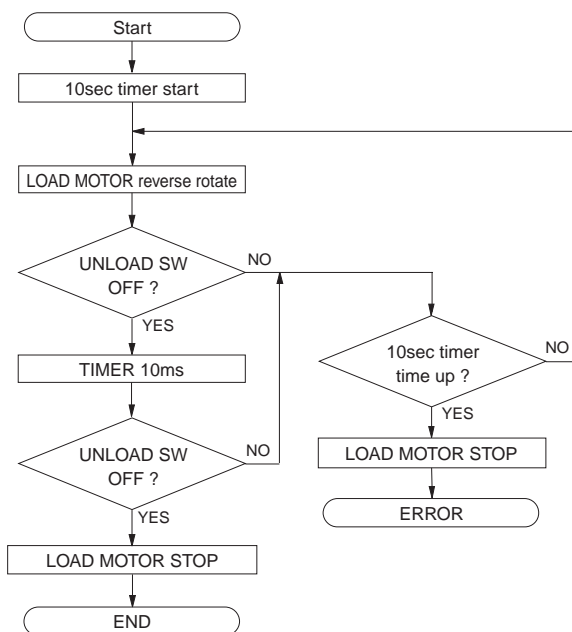
● HOME operation



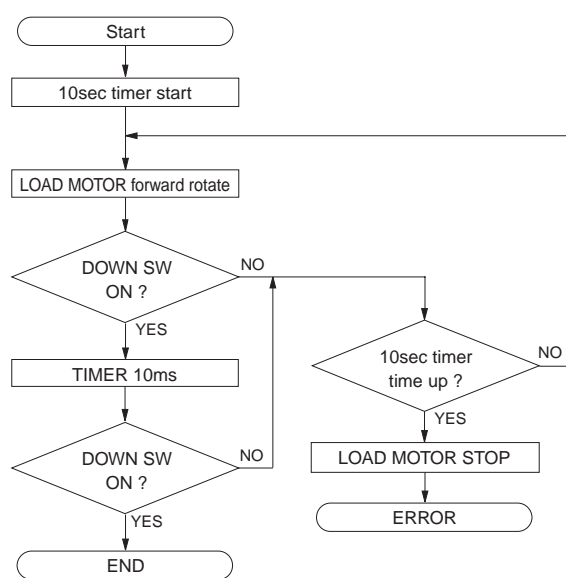
● CLOSE operation



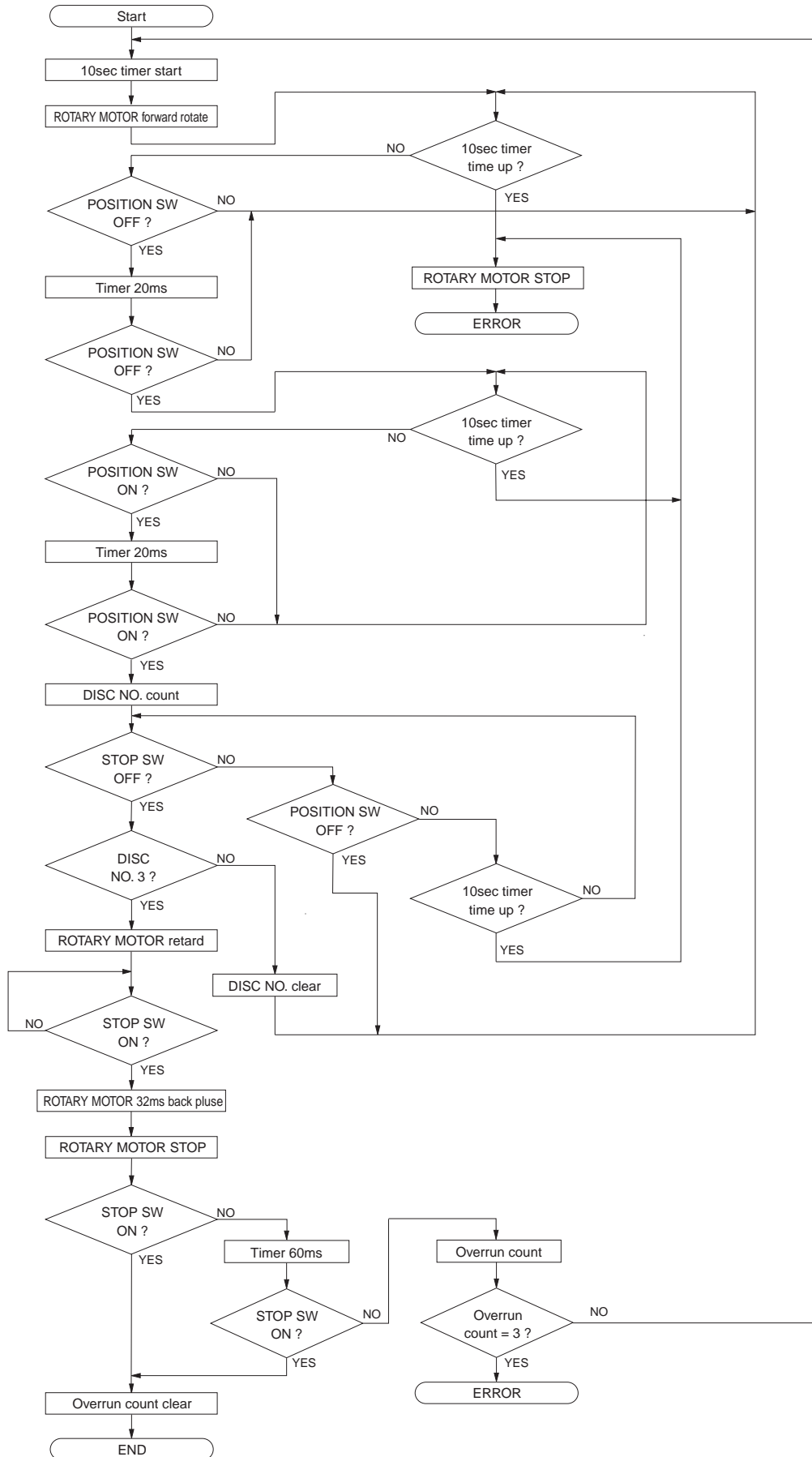
● OPEN operation



● DOWN operation



● ROTARY TRAY initialization operation



■ ADJUSTMENTS (DECK SECTION ONLY)

1. Before adjustment

- Since head magnetization, dust accumulations, etc. are likely to introduce error in the various characteristics, it is very important that the heads are properly demagnetized and cleaned.
- Make adjustments of mechanical system, playback system and recording system in that order.
- Except for azimuth adjustment, adjust in the forward direction.
- Adjust at TAPE TEST MODE.

2. Instruments required

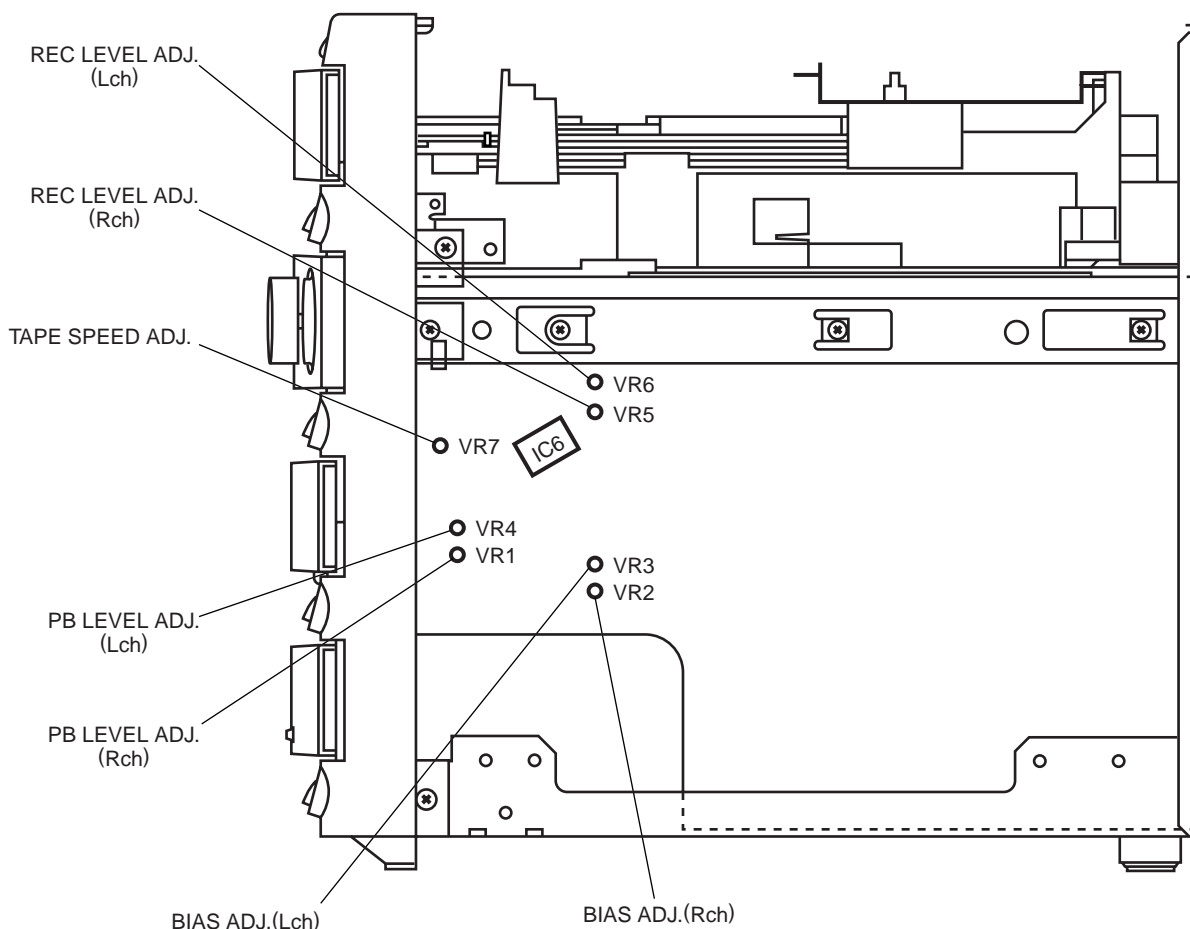
- Audio frequency oscillator
- ACVM or dual channel (ACVM)
- DCVM
- Wow/flutter meter
- Oscilloscope
- Frequency counter
- Torque meter
- TW-2111A (TX911580) ... Take up/back tension (FWD)
- TW-2121A (TX911570) Take up/back tension (RVS)

CT-160L (TX911120) FF/REW

3. Test tape required

- MTT-111N (TX911650) Normal speed
- MTT-114N (TX911680) Azimuth
- MTT-212N (TX911660) Playback level
- MTT-256 (TX911300) Playback frequency response (Normal)
- MTT-356 (TX911310) Playback frequency response (CrO₂)
- Reference tape
 - Type I/Normal (LH) TDK AC225 (VU167200)
 - Type II/High (CrO₂) TDK AC514 (VU167300)

● Test point



“MECHANICAL ADJUSTMENT”

Step	Item to be Adjusted	Tape	Instrument required	Mode	Adjustment part	Rating	Remarks
1	Check each torque	CT-160L (FF, REW)	Torque meter	FF REW		FF, REW torque : within 70 ~ 160g/cm.	
		TW-2111A (FWD)		PLAY	Take up torque : 30 ~ 70g/cm.		
		TW-2121A (RVS)			Back tension : 1.5 ~ 6g/cm.		
2	Check FF, REW take up time	AC-514 (C-60)		FF REW		80 to 120 seconds.	
3	Azimuth	MTT-114N 10kHz, -10dB	ACVM Oscilloscope	PLAY	Azimuth adjustment screw. (Fig. A)	Playback output of L and R is maximum and phase difference should be minimum both directions. (Fig. B)	After the adjustment make sure to apply screw lock paint.
4	Tape Speed	MTT-111N 3kHz, -10dB	Frequency counter	PLAY	VR7	3000Hz ± 15Hz	Perform adjustment at the center of the test tape, if possible.
5	Wow/Flutter	MTT-111N 3kHz, -10dB	Wow/flutter meter	PLAY		Less than 0.19% (WRMS)	Confirm at center of the test tape, if possible.

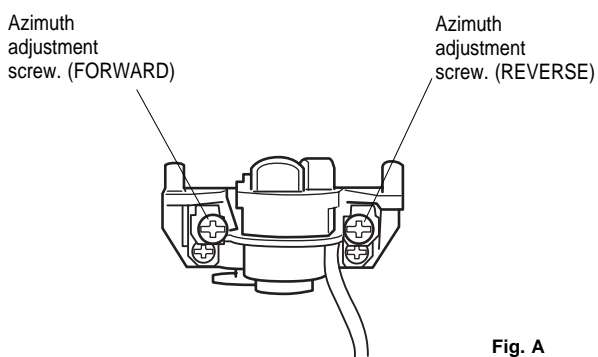


Fig. A

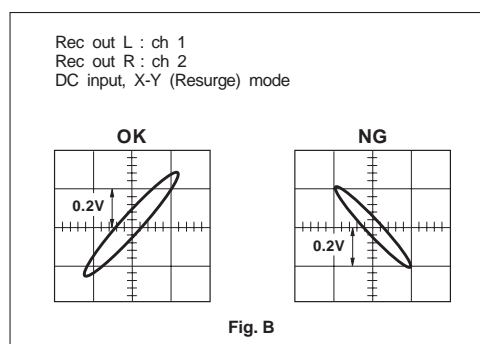


Fig. B

“ELECTRICAL ADJUSTMENT”

- Use 560 mV (250 nwb/m) for 0 dB as the standard level of the unit.
0dB = 250 nwb/m (315 Hz) = - 7 dBV (Rec out level)

< Playback section >

Step	Item to be Adjusted	Tape	Instrument required	Mode	Points of measurement	Adjustment parts	Rating
1	Playback level (315Hz)	MTT-212N 315Hz, 250nwb/m	ACVM	PLAY	REC OUT	VR4 (L ch) VR1 (R ch)	- 7 dBV ± 0.3 dBV
2	Confirmation of playback frequency response	Test tape for frequency check. 3180µs + 120µs (LH) (MTT-256) 3180µs + 70µs (CrO ₂) (MTT-356)	ACVM Oscilloscope	PLAY	REC OUT		Check that the 10kHz playback level is within 0 ± 3 dB of the 1kHz playback level. (Fig. C)

● PLAYBACK FREQUENCY RESPONSE

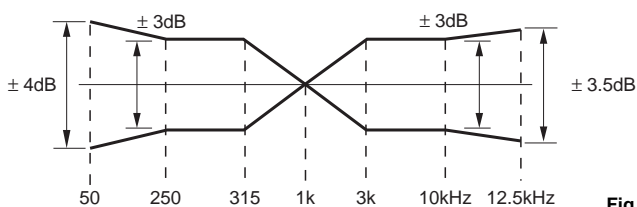


Fig. C

< Recording section >

Step	Item to be Adjusted	Tape	Instrument required	Mode	Measurement conditions	Points of measurement	Adjustment parts	Rating
1	Recording level	AC-514 High (CrO ₂)	ACVM Audio frequency oscillator	REC PLAY	Input 1 kHz Signal to AUX IN from Audio Frequency Oscillator. Adjust output level of Audio Frequency Oscillator so that the voltage of REC OUT becomes - 27 dBV.	REC OUT	VR6 (L ch) VR5 (R ch)	Adjust for equal record and playback levels. (- 27 dBV ± 0.3 dBV)
2	Recording bias (Total frequency response)	AC-514 High (CrO ₂)	ACVM Audio frequency oscillator	REC PLAY	Input 12.5 kHz Signal to AUX IN from Audio Frequency Oscillator. Adjust output level of Audio Frequency Oscillator so that the voltage of REC OUT becomes - 27 dBV.	REC OUT	VR3 (L ch) VR2 (R ch)	Adjust for equal record and playback levels. (- 27 dBV ± 0.3 dBV)
		AC-225 Normal (LH)						Adjust for equal record and playback levels. (Fig. D) Perform record bias adjustment of High (CrO ₂) tape again, if the rating was not satisfied.
3	Confirmation of recorded level	AC-514 High (CrO ₂)	ACVM Audio frequency oscillator	REC PLAY		REC OUT		Confirm recorded level rating as in step 1. When recorded level rating is improper, go back to step 1 and also carry out adjustments in step 2 again.

● TOTAL FREQUENCY RESPONSE (- 27 dBV)

Dolby NR B & OFF
Type I (Normal)/Type II (High)

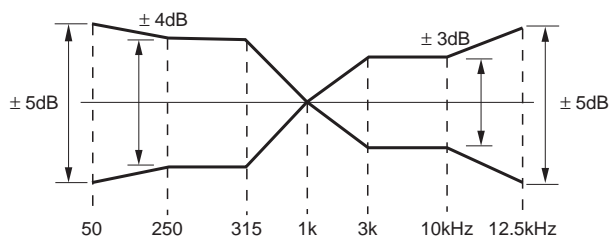
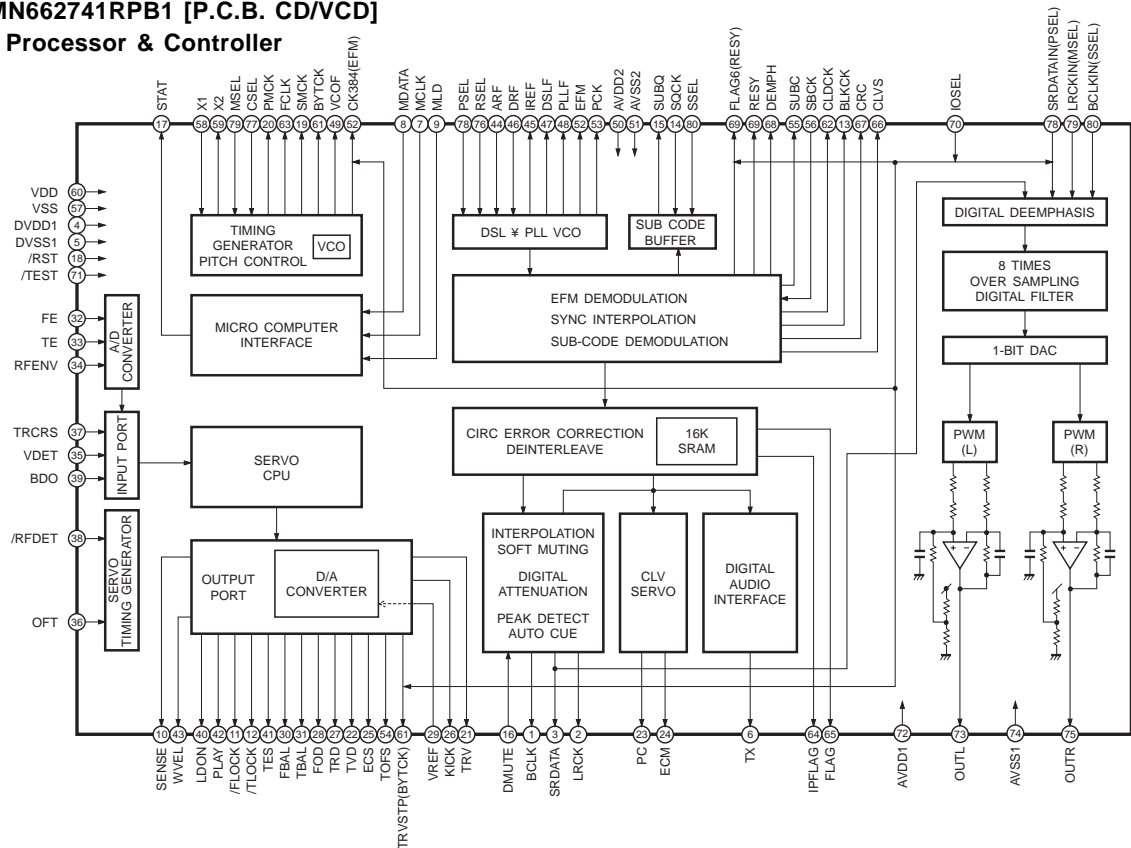


Fig. D

IC DATA

IC5 : MN662741RPB1 [P.C.B. CD/VCD]

Signal Processor & Controller



Pin No.	Name	I/O	Function
1	BCLK	O	Bit clock output for SRDATA
2	LRCK	O	L/R identification signal output H : L-ch audio data L : R-ch audio data
3	SRDATA	O	Serial data output
4	DVDD1	I	Power supply for digital circuits (+5)
5	DVSS1	I	GND for digital circuits
6	TX	O	Digital audio interface output signal
7	MCLK	I	Microcomputer command clock signal input (Latches the data at a rising edge)
8	MDATA	I	Microcomputer command data input
9	MLD	I	Microcomputer command load signal input L : Load
10	SENSE	O	Sense signal output (OFT, FESL, NACEND, NAJEND, SFG, NWTEND)
11	FLOCK	O	Focus servo pull-in signal (L : Pull-in status)
12	TLOCK	O	Tracking servo pull-in signal (L : Pull-in status)
13	BLKCK	O	Sub-code block clock signal (f _{BLKCK} = 75Hz)
14	SQCK	I	External clock input for sub-code Q register
15	SUBQ	O	Sub-code Q data output
16	DMUTE	I	Muting input H : Mute
17	STAT	O	Status signal (CRC, CUE, CLVS, TTSTOP, FCLV, SQOK, FLAG6, SENSE, FLOCK, TLOCK)
18	RST	I	Reset input (Reset when being at L for 472 ns or longer at IOSEL = L) L : Reset
19	SMCK	O	8.4672MHz clock signal output at MSEL = H 4.2336MHz clock signal output at MSEL = L (NC)
20	PMCK	O	88.2kHz clock signal output (NC)
21	TRV	O	Traverse (Feed) forced feed output 3-State
22	TVD	O	Traverse (Feed) drive output
23	PC	O	Spindle motor ON signal L : ON (NC)
24	ECM	O	Spindle motor drive signal (Forced mode output) 3-State
25	ECS	O	Spindle motor drive signal (Servo error signal output)
26	KICK	O	Kick pulse output 3-State
27	TRD	O	Tracking drive output
28	FOD	O	Focus drive output

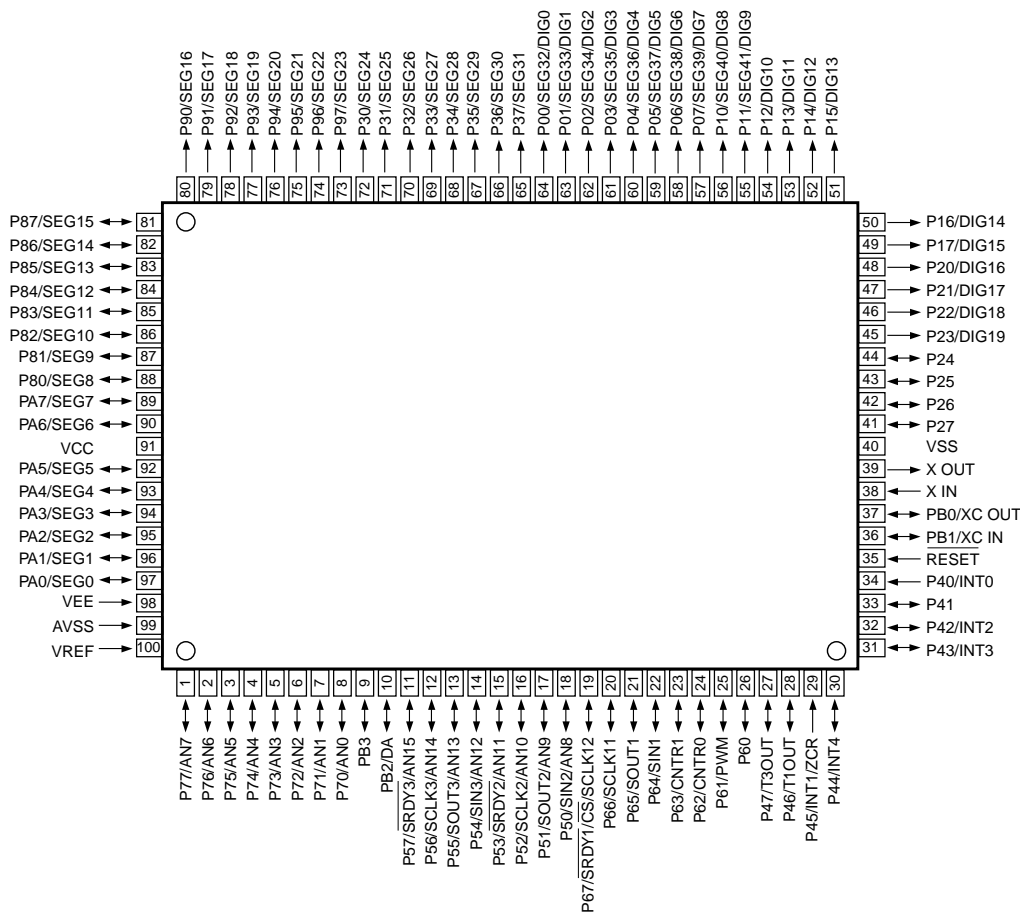
IC5 : MN662741RPB1 [P.C.B. CD/VCD]

Signal Processor & Controller

Pin No.	Name	I/O	Function
29	VREF	I	Reference voltage for D/A output section (TVD, ECS, TRD, FOD, FBAL, TBAL, TOFS)
30	FBAL	O	Focus balance adjustment output
31	TBAL	O	Tracking balance adjustment output
32	FE	I	Focus error signal input (Analog input)
33	TE	I	Tracking error signal input (Analog input)
34	RFENV	I	RF envelope signal input (Analog input)
35	VDET	I	Vibration detection signal input H : Detect
36	OFT	I	Off track signal input H : Off track
37	TRCRS	I	Track cross signal input
38	RFDET	I	RF detection signal input L : Detect
39	BDO	I	Drop out signal input H : Drop out
40	LDON	O	Laser ON signal output H : ON
41	TES	O	Tracking error shunt signal output H : Shunt
42	PLAY	O	Play signal output H : PLAY (NC)
43	WVEL	O	Double speed status signal output L : Double speed (NC)
44	ARF	I	RF signal input
45	IREF	I	Reference current input pin
46	DRF	I	Bias pin for DSL (NC)
47	DSLFL	I/O	DSL loop filter pin
48	PLLFL	I/O	PLL loop filter pin
49	VCOFL	I/O	VCO loop filter pin (NC)
50	AVDD2	I	Power supply for analog circuits (For DSL, PLL, A/D input blocks, and D/A output blocks) (+5)
51	AVSS2	I	GND for analog circuits (For DSL, PLL, A/D input blocks, and D/A output blocks) (GND)
52	EFM	O	EFM signal output At IOSEL = H : EFM signal output At IOSEL = L : 16.9344 MHz clock output (*1)
53	PCK	O	PLL extraction clock output (f _{PCK} = 4.32MHz) (NC)
54	TOFS	O	Tracking offset adjustment output (NC)
55	SUBC	O	Sub-code serial output
56	SBCK	I	Clock input for sub-code serial output (With pull-up resistor)
57	VSS	I	GND for oscillation circuit
58	X1	I	Crystal oscillation circuit input pin (f = 16.9344MHz, 33.8688MHz)
59	X2	O	Crystal oscillation circuit output pin (f = 16.9344MHz, 33.8688MHz)
60	VDD	I	Power supply for oscillation circuit (+5)
61	BYTCK	O	At IOSEL = H : Byte clock signal output At IOSEL = L : Traverse stop signal output H : STOP mode (*1)
62	CLDCK	O	Sub-code frame clock signal output (f _{CLDCK} = 7.35kHz)
63	FCLK	O	Crystal frame clock signal output (f _{FCLK} = 7.35kHz) (NC)
64	IPFLAG	O	Interpolation flag signal output H : Interpolation
65	FLAG	O	Flag signal output (NC)
66	CLVS	O	Spindle servo phase synchronous status signal out H : CLV L : Rough servo (NC)
67	CRC	O	Sub-code CRC check result output H : OK L : NG (NC)
68	DEMPH	O	De-emphasis detection signal output H : ON (NC)
69	RESY	O	At IOSEL = H : Frame resynchronizing signal RESY output H : Synchronous L : Asynchronous (*1) At IOSEL = L : Error correction, and deinterleave RAM address reset signal FLAG6 output L : Address reset generated
70	IOSEL	I	Mode selector pin (*1)
71	TEST	I	Test pin (Normal : H) (+5)
72	AVDD1	I	Power supply for analog circuits (For audio output section) (Commonly used for L-ch and R-ch)
73	OUTL	O	L-ch audio output
74	AVSS1	I	GND for analog circuits (For audio output section) (Commonly used for L-ch and R-ch)
75	OUTR	O	R-ch audio output
76	RSEL	I	RF signal polarity specification pin When the bright level is "H", RSEL = H When the bright level is "L", RSEL = L
77	CSEL	I	Crystal oscillation frequency specification pin (H : Crystal oscillation frequency = 33.8688 MHz, L : Crystal oscillation frequency = 16.9344 MHz)
78	PSEL	I	At IOSEL = H : Test pin (Normally L) At IOSEL = L : SRDATA input (*1)
79	MSEL	I	At IOSEL = H : SMCK pin output frequency selector pin H : SMCK = 8.4672MHz, L : SMCK = 4.2336MHz At IOSEL = L : LRCK input H : L-ch data, L : R-ch data SMCK = Fixed at 4.2336 MHz (*1)
80	SSEL	I	At IOSEL = H : SUBQ pin output mode selector pin H : Q-code buffer working mode (*1) At IOSEL = L : BCLK input Q-code buffer mode fixed

*1 These models used "L".

IC11 : M38199EF [P.C.B. CD/VCD]
8 bit μ-COM (CD CPU)



Pin No.	Port	Name	I/O	Function
1	P77	ADR	I	Tray table address detect SW
2	AN6	NTSC	I	Video out PAL/AUTO/NTSC select detect (GX-700VCD only))
3	P75	OPSW	I	Tray open SW
4	P74	/CLSW	I	Tray close SW
5	P73	/STOP	I	Tray table STOP position detect SW
6	P72	/UPSW	I	Clamper up SW
7	P71	/DWSW	I	Clamper down SW
8	P70	/FLOCK	I	Focus servo lock
9	PB3			Open
10	PB2			Open
11	P57	/TLOCK	I	Tracking servo lock
12	P56	/SCLK	O	Serial clock to servo LSI
13	P55	SOUT	O	Serial out to servo LSI
14	P54	SIN	I	Serial in from servo LSI (Q-code or SENSE)
15	P53	HSEL	O	Address/data select signal (GX-700VCD only))
16	P52	/SCLKD	O	Serial clock from decoder (GX-700VCD only))
17	P51	SOD	O	Serial out to decoder (GX-700VCD only))
18	P50	SID	I	Serial in from decoder (GX-700VCD only))
19	P67	/CS	I	System communication chip enable
20	P66	/DCLK	I	Serial clock from system μ-COM (Auto transfer)
21	P65	DSO	O	Serial out to system μ-COM
22	P64	DSI	I	Serial in from system μ-COM
23	P63	STAT	I	Servo status signal
24	P62			Not used
25	P61			Not used
26	P60	/FLSW	I	Feed origin SW
27	P47	/HRDY	I	Decoder data out OK signal (GX-700VCD only))

IC11 : M38199EF [P.C.B. CD/VCD]

8 bit μ -COM (CD CPU)

Pin No.	Port	Name	I/O	Function
28	P46			Open
29	INT1	BLKCK	I	Q-code read OK signal
30	INT4			Open
31	INT3			Open
32	INT2	/HINT	I	Decoder interrupt signal (GX-700VCD only)
33	P41	DEPH	O	De-emphasis control (GX-700VCD only)
34	INT0	/CSINT	I	System μ -COM data automatic transfer initialize, start signal
35	/RESET	RESET	I	Reset
36	XCIN	XCIN		Open
37	XCOU	XCOU		Open
38	XIN	XIN	I	8 MHz (MAIN CLOCK)
39	XOUT	XOUT	O	8 MHz (MAIN CLOCK)
40	VSS	GND		GND
41	P27	K3	I	Not used
42	P26	K2	I	Not used
43	P25	K1	I	Not used
44	P24	K0	I	Not used
45	P23	KD3	O	Not used
46	P22	KD2	O	Not used
47	P21	KD1	O	Not used
48	P20	KD0	O	Not used
49	P17		O	Not used
50	P16		O	Not used
51	P15		O	Not used
52	P14		O	Not used
53	P13		O	Not used
54	P12	/DECRST	O	Decoder reset (GX-700VCD only)
55	P11	DRV	O	Servo driver on
56	P10	FCSG	O	Focus gain high (NC)
57	P07	TROP	O	Tray open control signal (implied clamper control)
58	P06	TRCL	O	Tray close control signal
59	P05	TBL +	O	Tray table revolution
60	P04	TBL -	O	Tray table brake
61	P03			Open
62	P02	/MNRST	O	Servo LSI reset signal
63	P01		O	Open
64	P00	/MUTE	O	Line mute
65	P37	/PON	O	Servo LSI power ON control
66	P36		O	Open
67	P35	DMUTE	O	Digital mute
68	P34	/MLD	O	Microprocessor command store request
69	P33	CMDSEL	O	Serial 2 \rightarrow μ -COM command
70	P32	QSEL	O	Serial 2 \rightarrow Q-code read
71	P31	DOSEL	O	Decoder serial I/O out select (GX-700VCD only)
72	P30	/TSPD	O	Tray table revolution speed control (H : Low speed)
73	P97	VMUTE	O	Video mute (GX-700VCD only)
74	P96		O	Not used
75	P95		O	Not used
76	P94		O	Not used
77	P93		O	Not used
78	P92		O	Not used
79	P91		O	Not used
80	P90		O	Not used
81	P87		O	Not used
82	P86		O	Not used
83	P85		O	Not used
84	P84		O	Not used

IC11 : M38199EF [P.C.B. CD/VCD]**8 bit μ -COM (CD CPU)**

Pin No.	Port	Name	I/O	Function
85	P83		O	Not used
86	P82		O	Not used
87	P81		O	Not used
88	P80		O	Not used
89	PA7		O	Not used
90	PA6		O	Not used
91	VCC	VCC		+5V
92	PA5		O	Not used
93	PA4		O	Not used
94	PA3		O	Not used
95	PA2		O	Not used
96	PA1		O	Not used
97	PA0		O	Not used
98	VEE	VEE		GND
99	AVSS	AVSS		GND (VSS)
100	VREF	VREF		+5V (VCC)

IC8 : M38199EF [P.C.B. INPUT]**8 bit μ -COM (SYSTEM CPU)**

No.	Port	Name	I/O	Function
1	AN7	MSEL	I	MODEL/PRO LOGIC MODE DETECT (A-D)
2	AN6	SPEIN	I	SPECTRUM ANALYZER (BA3835F) IN (A-D)
3	AN5	DSEL	I	MARKET SELECT IN (A-D)
4	AN4	KEY4	I	KEY 4 IN (A-D)
5	AN3	KEY3	I	KEY 3 IN (A-D)
6	AN2	KEY2	I	KEY 2 IN (A-D)
7	AN1	KEY1	I	KEY 1 IN (A-D)
8	AN0	KEY0	I	KEY 0 IN (A-D)
9	PB3			OPEN
10	DA	FAN	O	FAN CONTROL OUT
11	AN15	THER	I	AMP THERMAL DETECT
12	SCLK3	FLCLK	O	SERIAL CLOCK FOR FL DRIVER M66004
13	SO3	FLDATA	O	SERIAL OUT FOR FL DRIVER M66004
14	SI3			OPEN
15	AN11	VPRT	I	ABNORMAL VOLTAGE DETECT
16	SCLK2	TUCLK	O	LC72131/LC72720/M65853FP/LA2787/LV1017/LC75393/LC7536Y CLK OUT
17	SO2	TUDO	O	LC72131/LC72720/M65853FP/LA2787/LV1017/LC75393/LC7536Y DATA OUT
18	SI2	TUDATA	I	LC72131/LC72720 DATA IN
19	P67	/STAD	I	STATION IN (TUNER) [L : STATION AVAILABLE]
20	SCLK1	SYSCK	O	SYSTEM COMMAND CLOCK
21	SO1	SYSO	O	SYSTEM COMMAND OUT
22	SI1	SYSI	I	SYSTEM COMMAND IN
23	P63	TUMUTE	O	TUNER MUTE [H : MUTE ON]
24	P62	/AMPMUTE	O	AMP MUTE [L : MUTE ON]
25	P61	CDCE	O	SYSTEM COMMUNICATION CD CE
26	P60	CDRES	O	CD RESET
27	P47	MDCE	O	SYSTEM COMMUNICATION MD CE

IC8 : M38199EF [P.C.B. INPUT]

8 bit μ -COM (SYSTEM CPU)

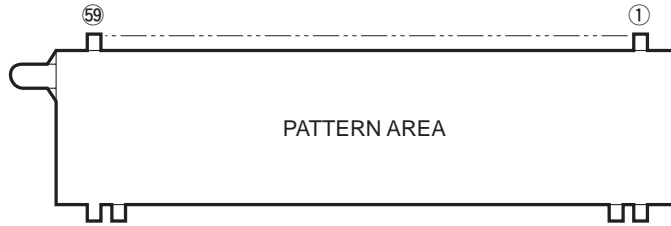
No.	Port	Name	I/O	Function
28	P46	MDRES	O	MD RESET
29	INT1	ACIN	I	POWER DOWN AC PULSE IN
30	INT4	PDN	O	MD POWER DOWN
31	INT3			OPEN
32	INT2	REMO	I	REMOTE CONTROL SIGNAL IN
33	P41	STEIN	I	TUNER STEREO/MONO DETECT
34	INT0			OPEN
35	/RESET	RESET	I	RESET
36	XCIN	XCIN	I	32.768 kHz IN (SUB CLOCK)
37	XCOUT	XCOUT	O	32.768 kHz OUT (SUB CLOCK)
38	XIN	XIN	I	8 MHz IN (MAIN CLOCK)
39	XOUT	XOUT	O	8 MHz OUT (MAIN CLOCK)
40	VSS	GND	O	GND
41	P27	SPEA	O	SPECTRUM ANALYZER (BA3835F) A OUT
42	P26	SPEB	O	SPECTRUM ANALYZER (BA3835F) B OUT
43	P25	SPEC	O	SPECTRUM ANALYZER (BA3835F) C OUT
44	P24	SPESEL	O	SPECTRUM ANALYZER (BA3835F) SEL OUT
45	P23	DLCE	O	LA2787/LV1017 CE
46	P22	KALATCH	O	KARAOKE IC M65853 LATCH
47	P21	FLRES	O	FL DRIVER RESET
48	P20	FLCE	O	FL DRIVER CE
49	P17	TUCE	O	LC72131/LC72720/LC75393 CE
50	P16	STLED	O	STANDBY LED ON [H : LED ON]
51	P15	TMLLED	O	TIMER LED ON [H : LED ON]
52	P14	/BC	O	PRO LOGIC IC CONTROL-BC
53	P13	TEST0	O	TEST PORT
54	P12	TEST1	O	TEST PORT
55	P11	DSEL0	O	MD DIGITAL INPUT SELECT
56	P10	DSEL1	O	MD DIGITAL INPUT SELECT
57	P07	PRON	O	POWER RELAY CONTROL [H : ON]
58	P06	SRON	O	SPEAKER RELAY CONTROL [H : ON]
59	P05	/SMUTE	O	SUB WOOFER MUTE [L : MUTE ON]
60	P04	/A	O	PRO LOGIC IC CONTROL-A [H : ON]
61	P03	/YMA	O	Y MERSION ON [L : ON]
62	P02	IN1B	O	4052 INPUT SELECT
63	P01	IN1A	O	4052 INPUT SELECT
64	P00	IN2A	O	4052 INPUT SELECT
65	P37	IN2B	O	4052 INPUT SELECT
66	P36	RECA	O	4066 CONTROL
67	P35	RECB	O	4066 CONTROL
68	P34	VSEL0	O	LA7956 INPUT SELECT
69	P33	VSEL1	O	LA7956 INPUT SELECT
70	P32	VCR	O	VCR REC INHIBIT [H : INHIBIT]
71	P31	PBMUTE	O	DECK PLAYBACK MUTE
72	P30	RMUTE	O	DECK REC MUTE
73	P97	REC	O	DECK AMP REC
74	P96	BIAS	O	DECK BIAS ON
75	P95	DOLBY	O	DOLBY ON
76	P94	TPEQ	O	TAPE EQUALIZER SELECT [H : 120 μ]
77	P93	SOL	O	DECK SOLENOID ON
78	P92	CPM	O	DECK CAPSTAN MOTOR ON
79	P91	CLOSE	O	TAPE LOADING MOTOR CLOSE
80	P90	OPEN	O	TAPE LOADING MOTOR OPEN
81	P87	ENVA	I	VR ENCODER A
82	P86	ENVB	I	VR ENCODER B
83	P85	ENMA	I	MD ENCODER A
84	P84	ENMB	I	MD ENCODER B

**IC8 : M38199EF [P.C.B. INPUT]
8 bit μ -COM (SYSTEM CPU)**

No.	Port	Name	I/O	Function
85	P83	/HP	I	HEAD PHONE DETECT [L : HP DETECT]
86	P82	MIC	I	MIC DETECT
87	P81	CASS	I	CASSETTE IN DETECT
88	P80	PLSW	I	DECK MECHA PLAY POSITION DETECT
89	PA7	CRO2	I	CrO2 (70 μ s) POSITION DETECT
90	PA6	/IPRT	I	AMP OVER CURRENT DC VOLTAGE DETECT [L : ABNORMAL DETECT]
91	VCC	+5V		+5V
92	PA5	CLSW	I	DECK CLOSE SW
93	PA4	RECINHF	I	REC INHIBIT FORWARD (SIDE-A)
94	PA3	RECINHR	I	REC INHIBIT REVERSE (SIDE-B)
95	PA2	OPSW	I	DECK OPEN SW
96	PA1	REEL	I	REEL MOTOR PULSE DETECT
97	PA0	MUSIC	I	TAPE MUSIC SENSOR
98	VEE	VEE		GND
99	AVSS	AVSS		GND
100	VREF	VREF		+5V

■ DISPLAY DATA

● V801 : 16-BT-63GK (V2959000)

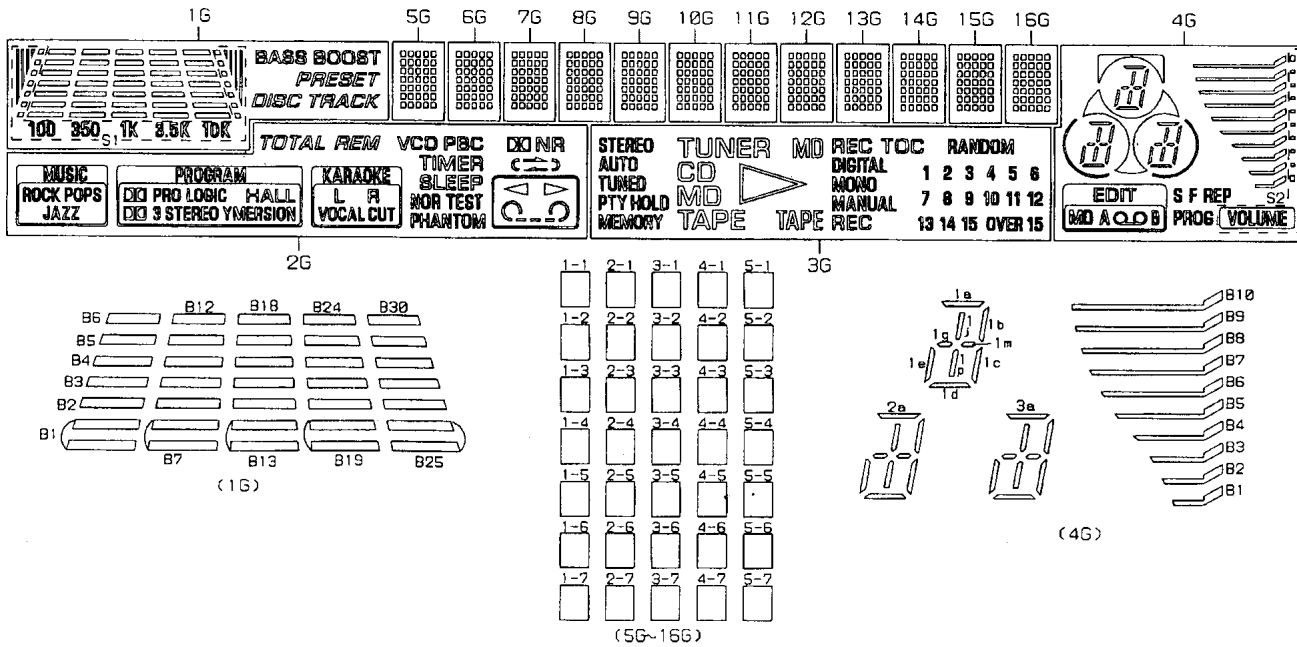


● PIN CONNECTION

Pin No.	1	2	3	4	5	6	7	8	9	10	11	12	13	14	15	16	17	18	19	20	21	22	23	24	25	26	27	28	29	30
Connection	F1	F1	NP	NP	P35	P34	P33	P32	P31	P30	P29	P28	P27	P26	P25	P24	P23	P22	P21	P20	P19	P18	P17	P16	P15	P14	P13	P12	P11	P10
Pin No.	31	32	33	34	35	36	37	38	39	40	41	42	43	44	45	46	47	48	49	50	51	52	53	54	55	56	57	58	59	
Connection	P9	P8	P7	P6	P5	P4	P3	P2	P1	16G	15G	14G	13G	12G	11G	10G	9G	8G	7G	6G	5G	4G	3G	2G	1G	NP	NP	F2	F2	

Note 1) F1, F2 Filament 3) NC No Connection 5) 1G-16G Grid
 2) NP No Pin 4) P1-P35 Datum Line

● GRID ASSIGNMENT

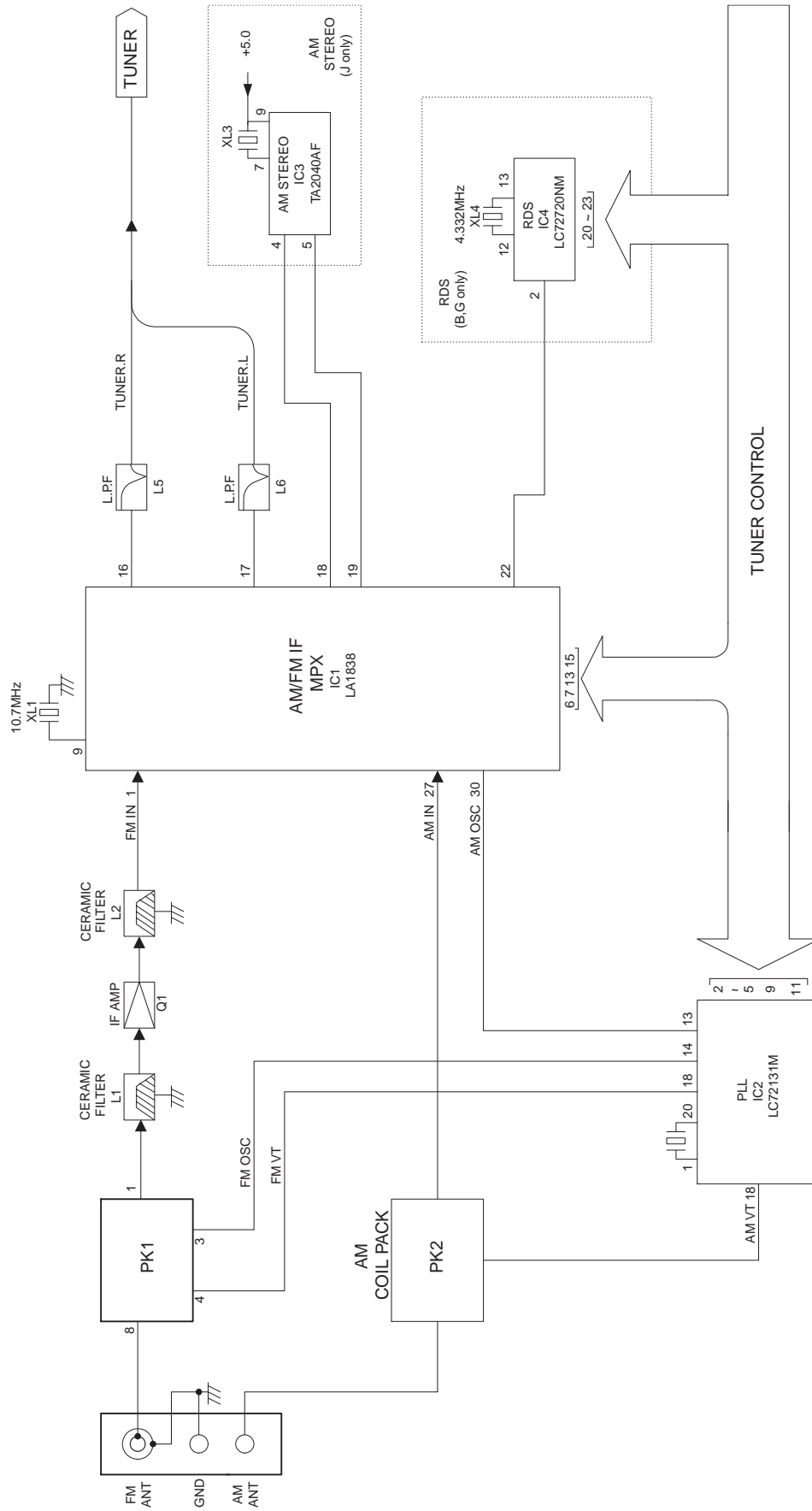


● ANODE CONNECTION

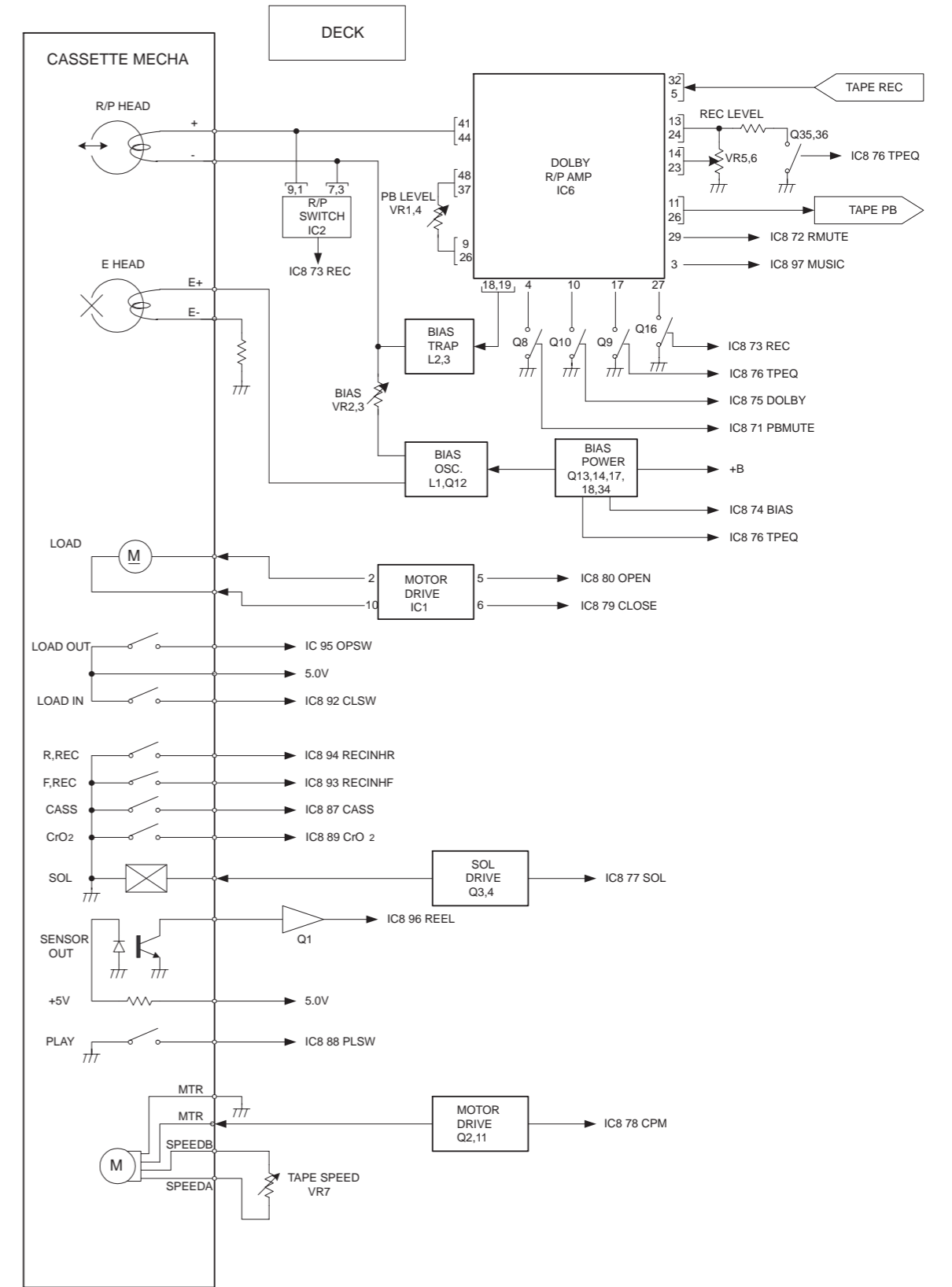
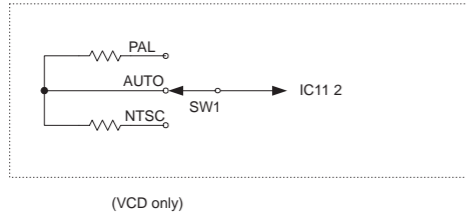
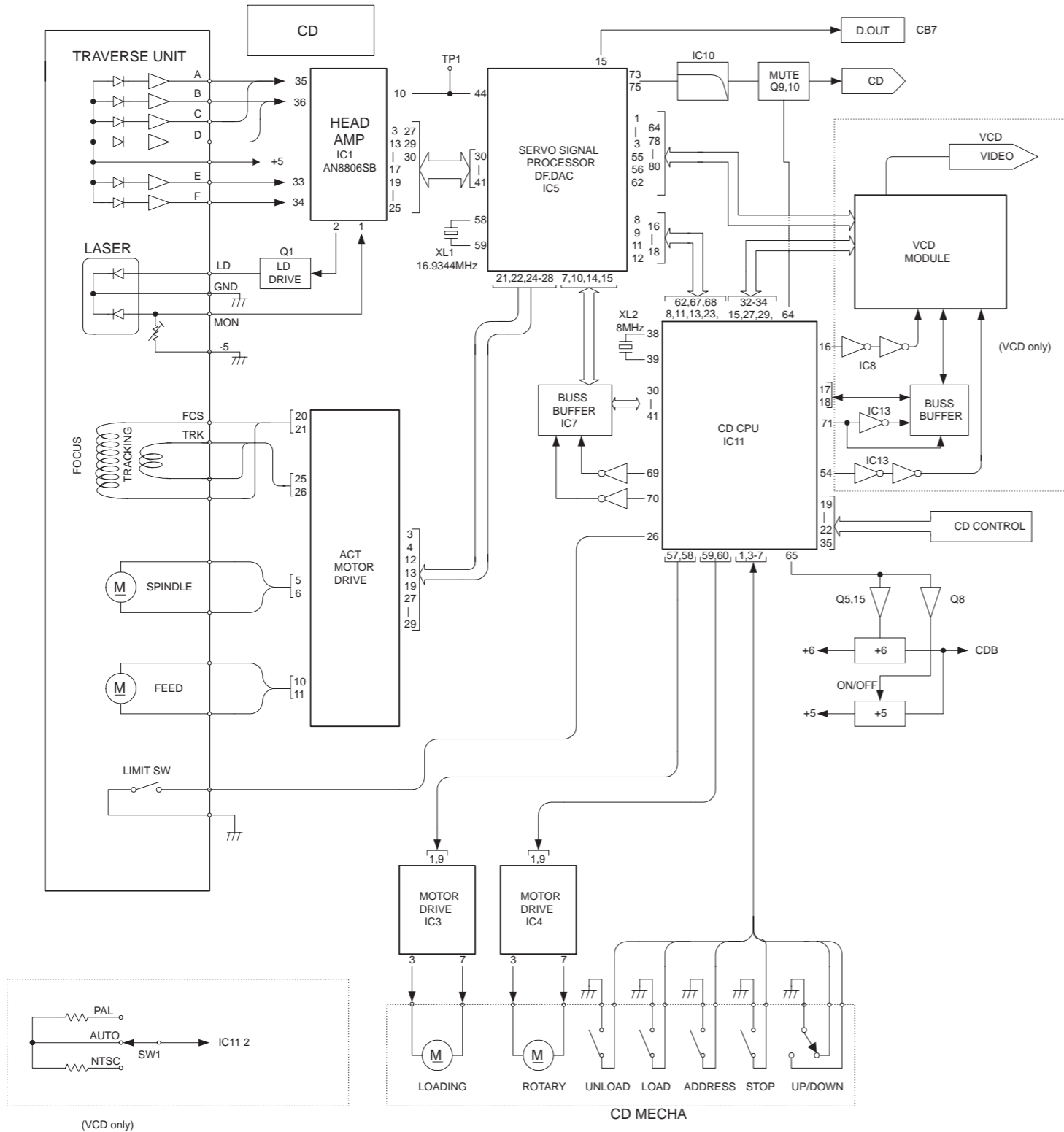
	1G	2G	3G	4G	5G~16G
P1	BASS BOOST	JAZZ	TAPE (右)	S2	1-1
P2	PRESET	ROCK		B1	2-1
P3	DISC	POPS	TAPE (左)	B2	3-1
P4	TRACK		MD (左)	B3	4-1
P5	S1	IMMERSION	CD	B4	5-1
P6	B1	3 STEREO	MEMORY	B5	1-2
P7	B2		PTY HOLD	B6	2-2
P8	B3	HALL	TUNED	B7	3-2
P9	B4	DIGI PRO LOGIC	AUTO	B8	4-2
P10	B5		MD (右)	B9	5-2
P11	B6	VOCAL CUT	TUNER	B10	1-3
P12	B7	R	STEREO		2-3
P13	B8	L	REC (T)	1a, 1b, 1d 1g, 1m	3-3
P14	B9		MANUAL	1c	4-3
P15	B10	PHANTOM	MONO	1e	5-3
P16	B11	NOR	DIGITAL	1j, 1p	1-4
P17	B12	TEST	REC (L)	2a, 2b, 2d 2g, 2m	2-4
P18	B13	SLEEP	TOC	2c	3-4

	1G	2G	3G	4G	5G~16G
P19	B14	TIMER	RANDOM	2e	4-4
P20	B15		1	2j, 2p	5-4
P21	B16		2	3a, 3b, 3d 3g, 3m	1-5
P22	B17		3	3c	2-5
P23	B18		4	3e	3-5
P24	B19		5	3j, 3p	4-5
P25	B20		6	()	5-5
P26	B21		7)	1-6
P27	B22		8	REP	2-6
P28	B23		9	F	3-6
P29	B24	DO NR	10	S	4-6
P30	B25	PBC	11	PROG	5-6
P31	B26	VCD	12		1-7
P32	B27	REM	13	MD	2-7
P33	B28	TOTAL	14	A	3-7
P34	B29	-	15		4-7
P35	B30	-	OVER 15	B	5-7

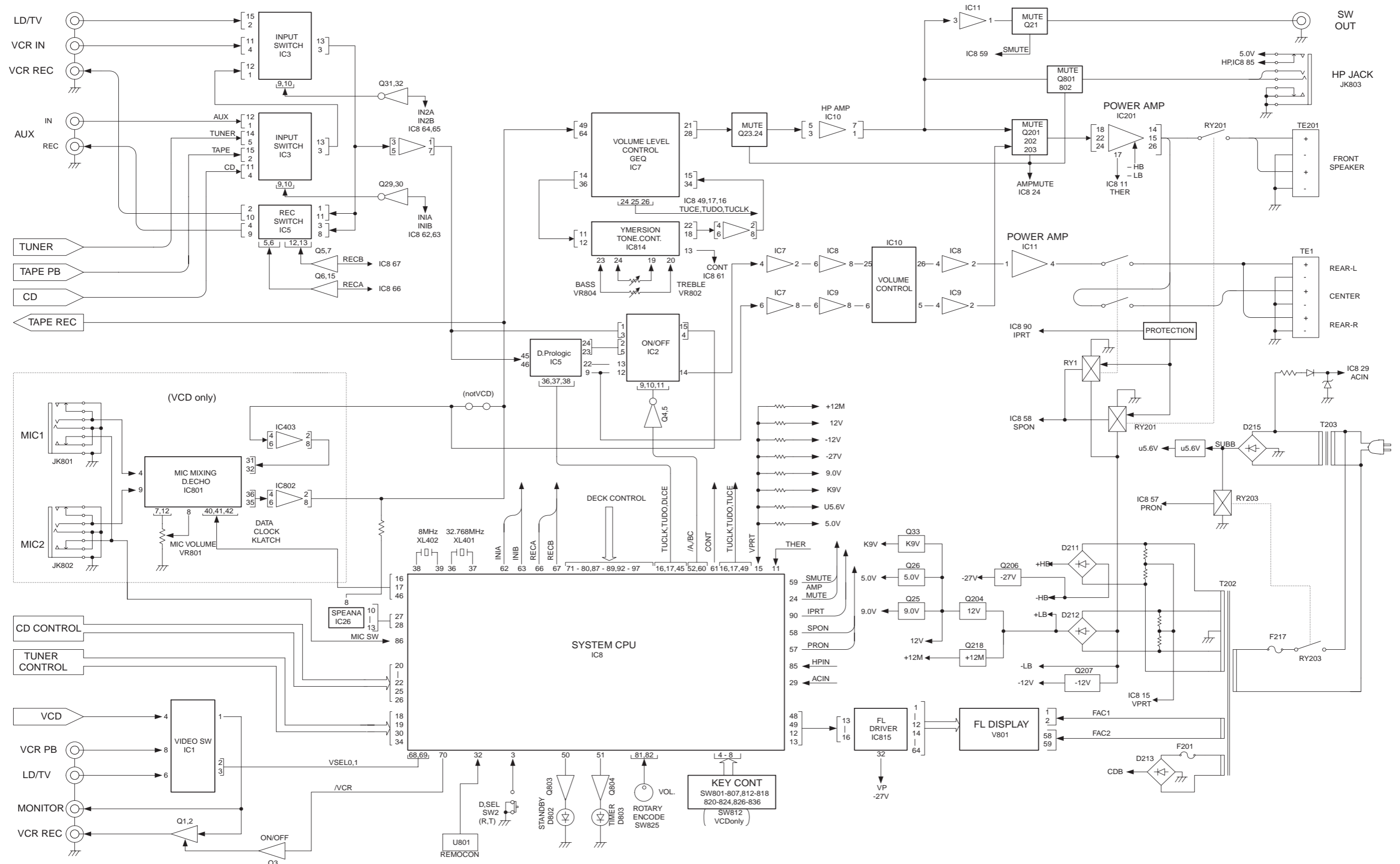
■ BLOCK DIAGRAM



■ BLOCK DIAGRAM

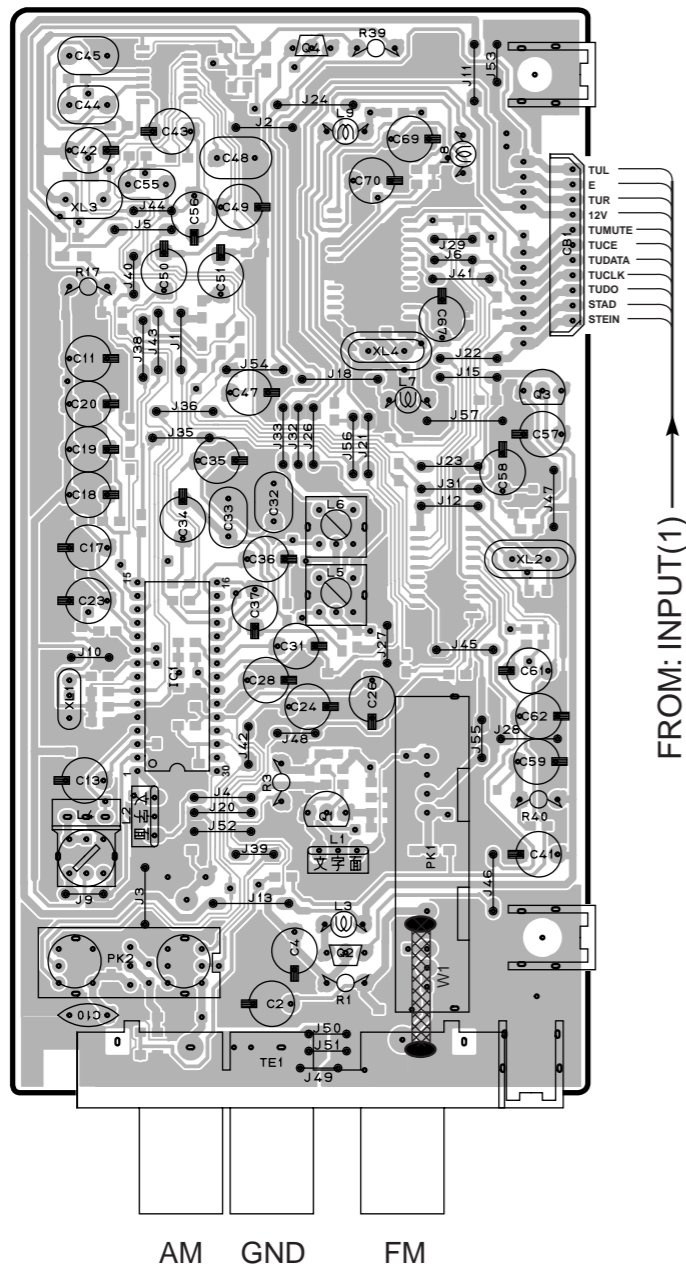


■ BLOCK DIAGRAM

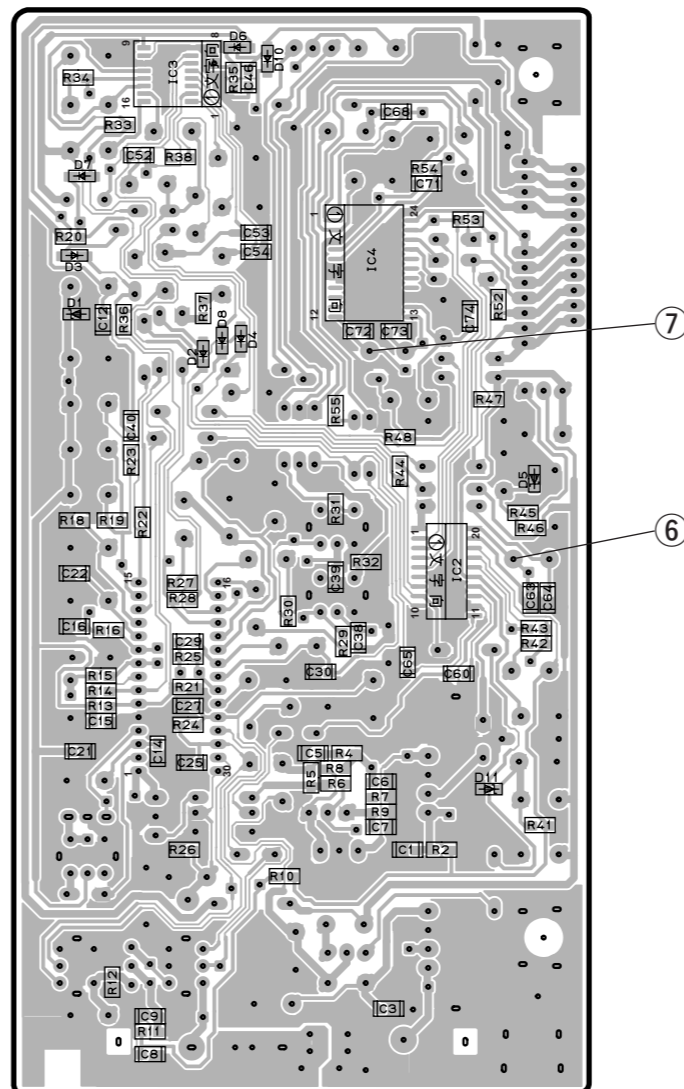


PRINTED CIRCUIT BOARD (Foil side)

P.C.B. TUNER
(Lead Type Device)



P.C.B. TUNER
(Surface Mount Device)

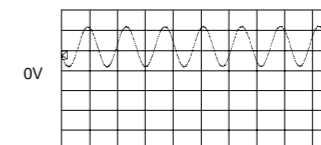


CIRCUIT CHANGES BY MARKET.

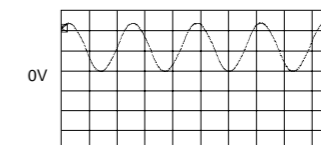
	U, C, R, T, L, A	B, G	J
X3	X	X	O
X4	X	O	X
IC3	X	X	O
IC4	X	O	X
Q4	X	X	O
D6 ~ 8, 10	X	X	O
L7 ~ 9	X	O	X
C68, 71 ~ 74	X	O	X
C46, 52 ~ 54	X	X	O
C29	O	O	X
C42 ~ 51, 55, 56	X	X	O
C67, 69, 70	X	O	X
R33 ~ 38	X	X	O
R54	X	O	X
R25	O	O	X
R39	X	X	O
J21	X	O	X
J1, 40, 44	X	X	O

O : USED
X : NOT USED

Point ⑥ (Pin20 of IC2)
V : 2V/div H : 0.1 μsec/div
DC range 1 : 1 probe



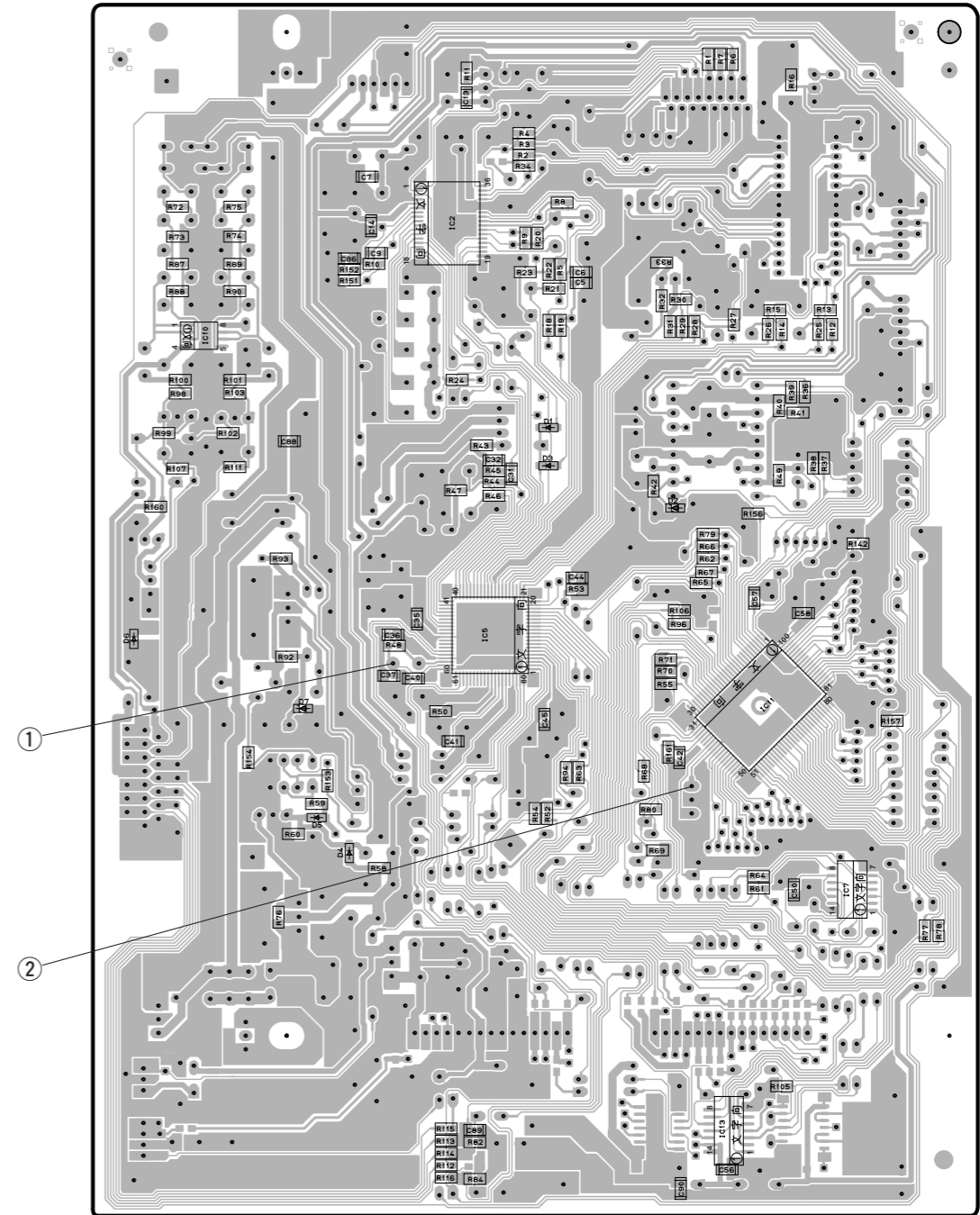
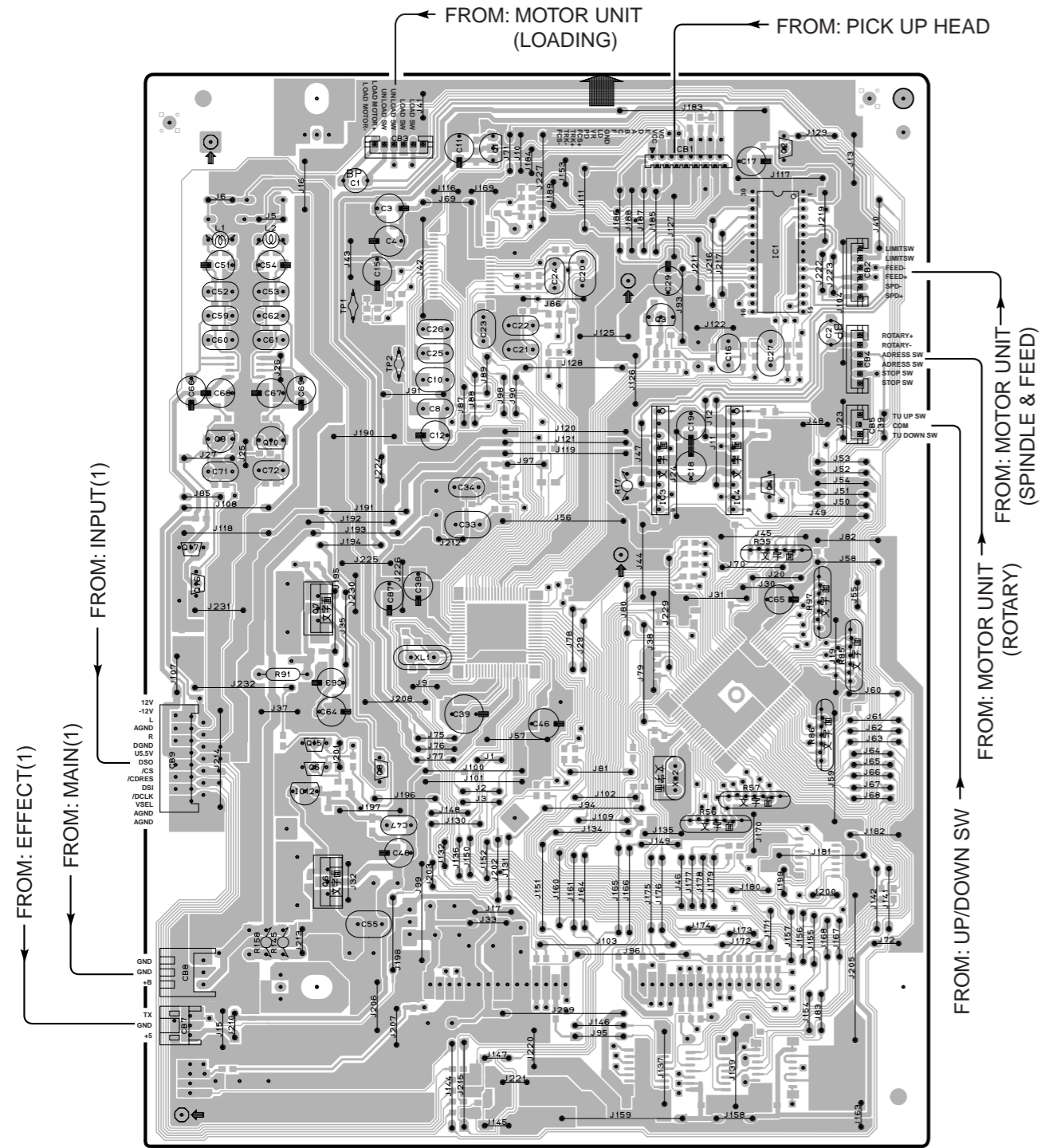
Point ⑦ (Pin12 of IC4)
V : 2V/div H : 0.1 μsec/div
DC range 1 : 1 probe



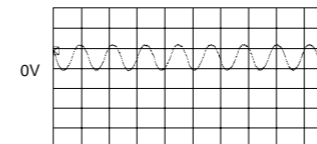
PRINTED CIRCUIT BOARD (Foil side)

GX-700 P.C.B. CD (Lead Type Device)

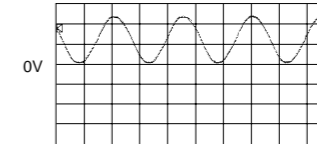
GX-700 P.C.B. CD (Surface Mount Device)



Point ① (Pin59 of IC5)
 V : 5V/div H : 50 nsec/div
 DC range 1 : 1 probe



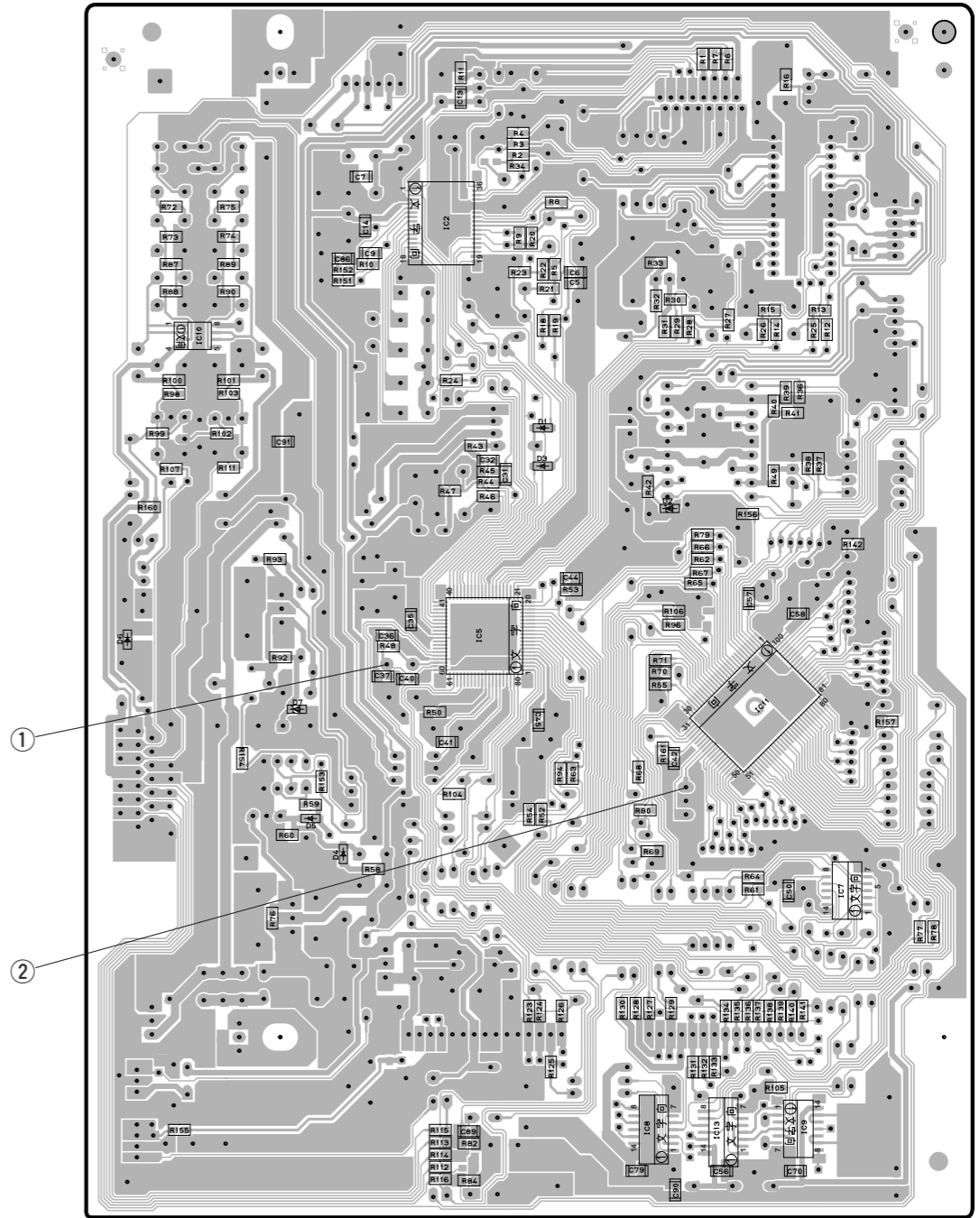
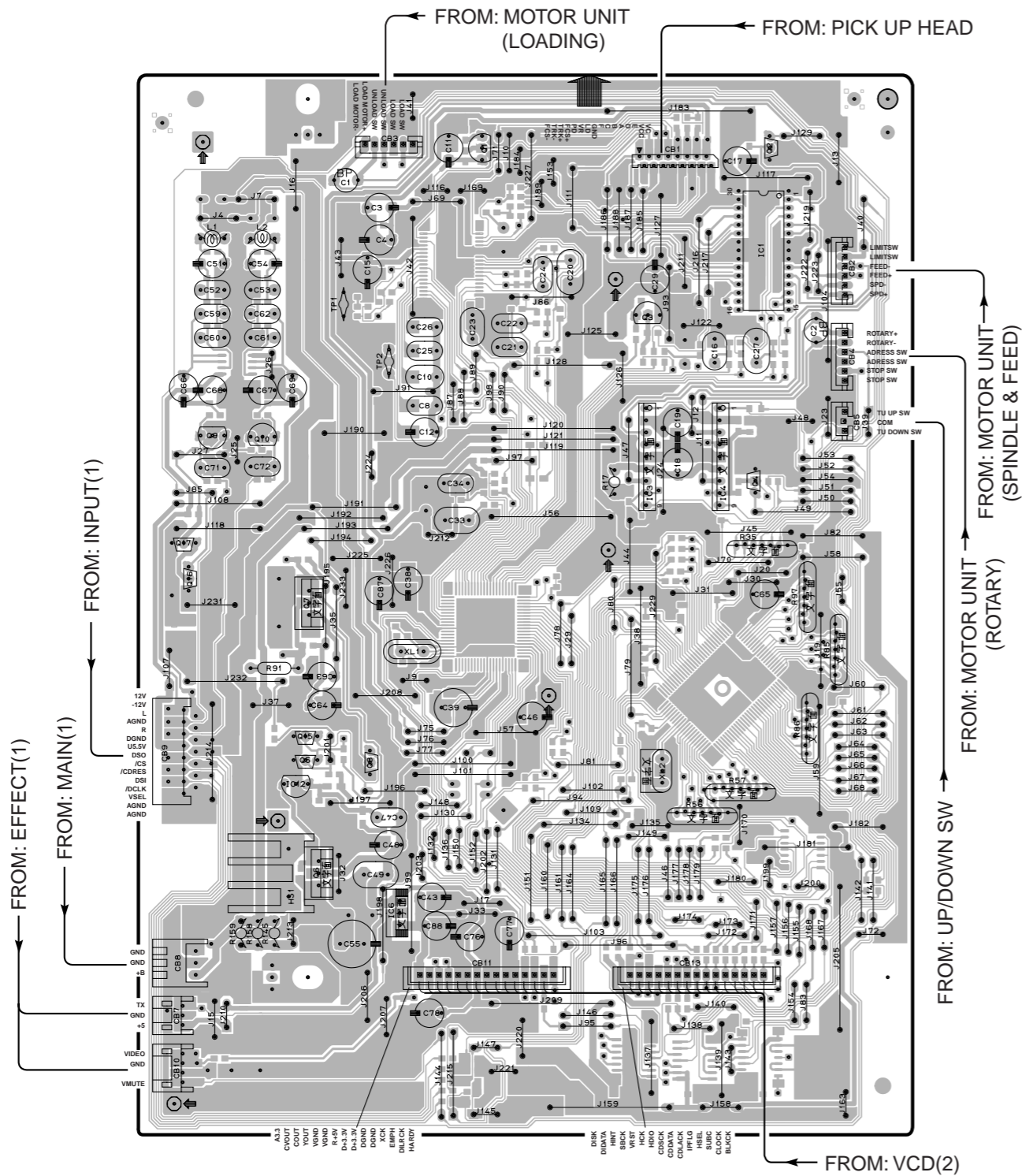
Point ② (Pin39 of IC11)
 V : 2V/div H : 50 nsec/div
 DC range 1 : 1 probe



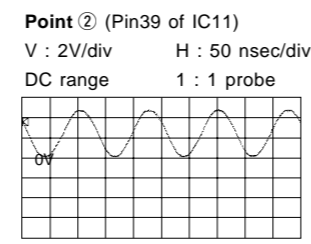
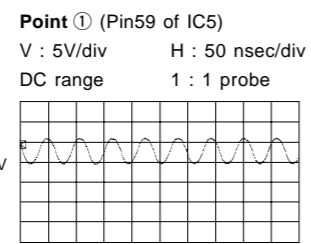
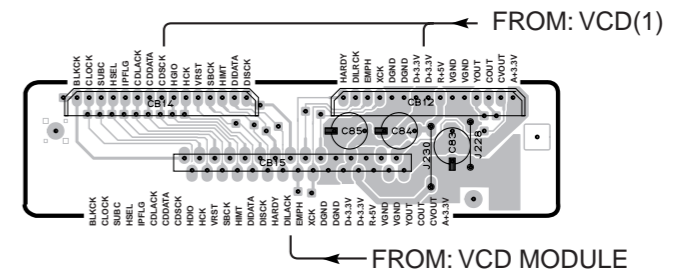
PRINTED CIRCUIT BOARD (Foil side)

GX-700VCD P.C.B. VCD(1) (Lead Type Device)

GX-700VCD P.C.B. VCD(1) (Surface Mount Device)

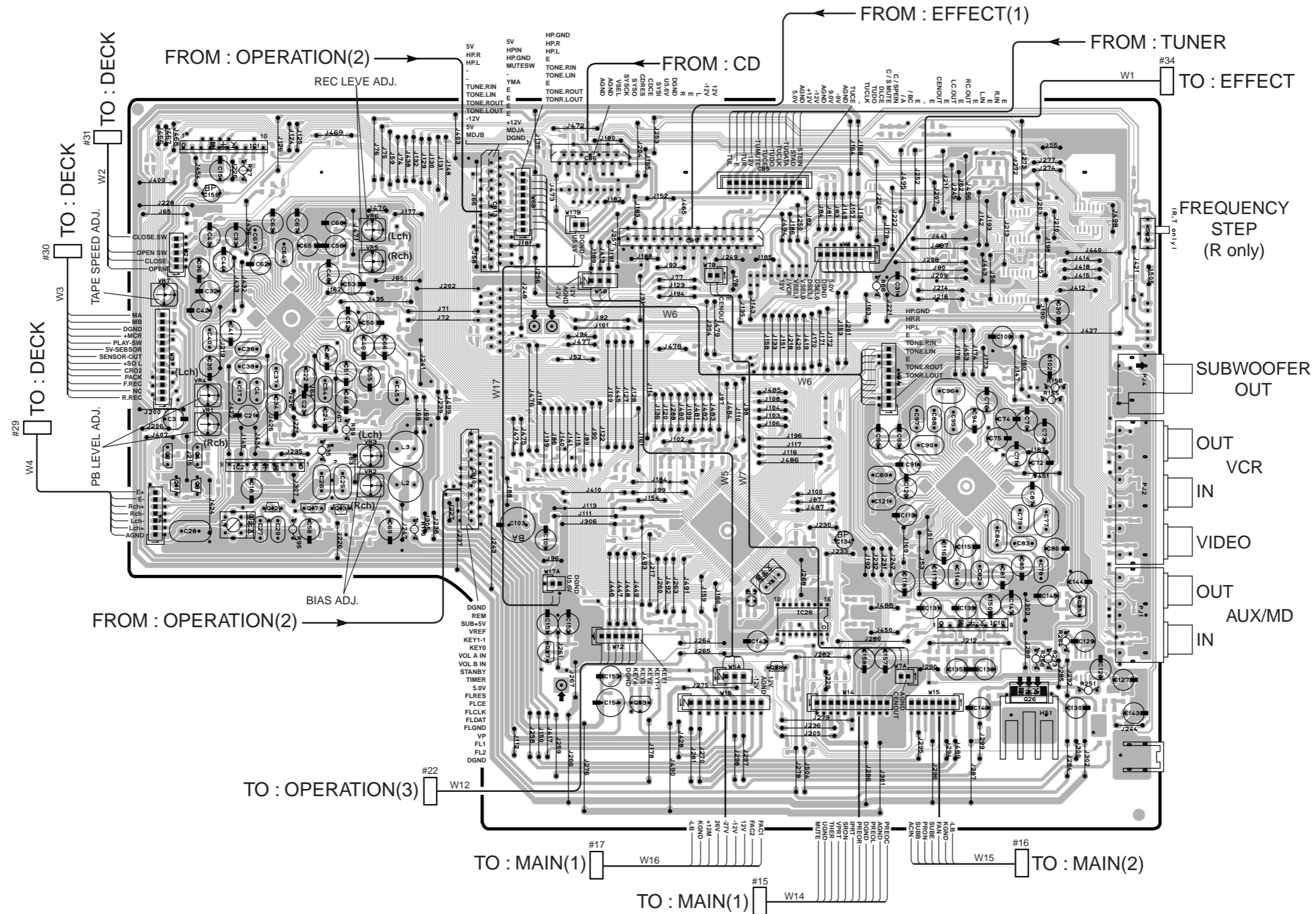


GX-700VCD P.C.B. VCD(2)



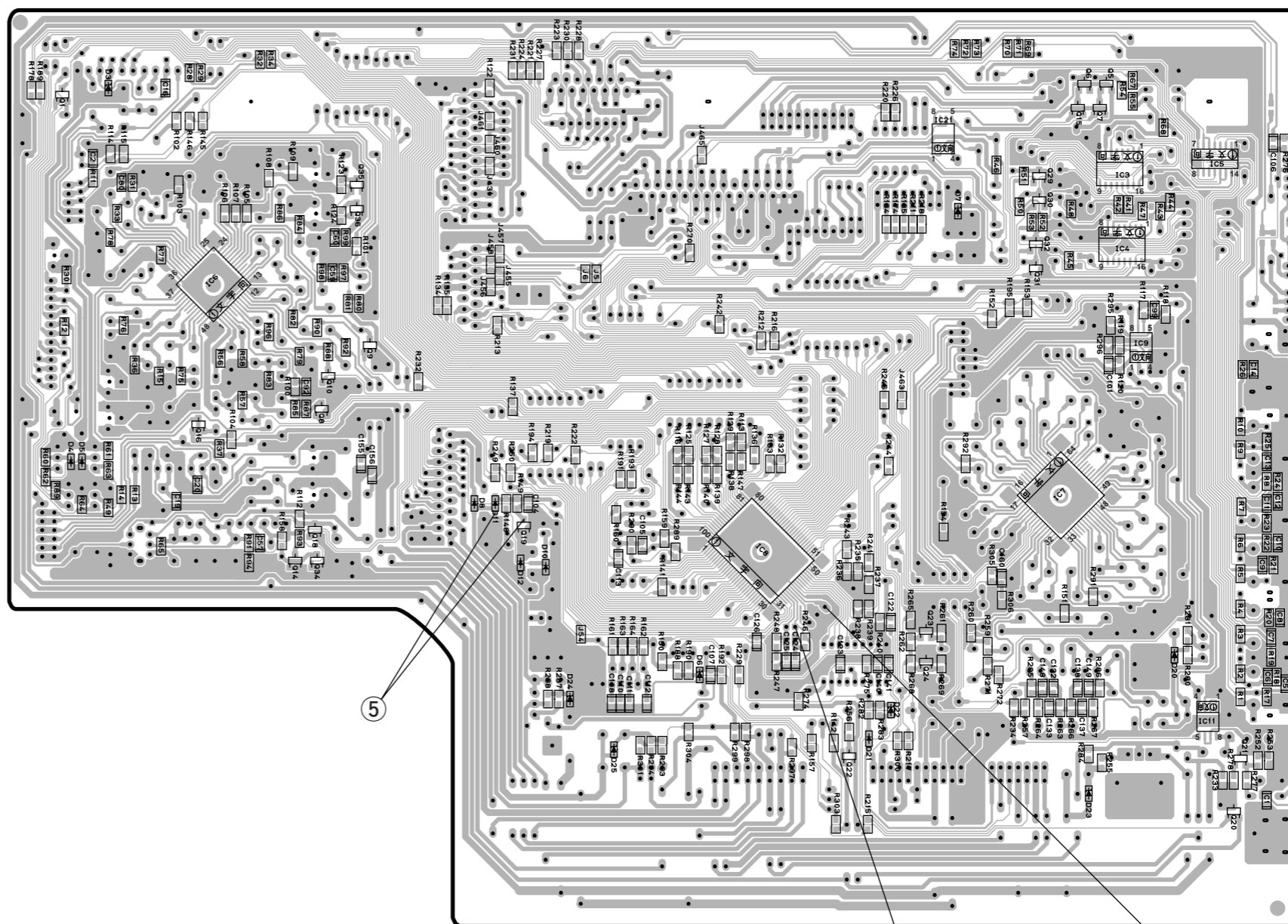
PRINTED CIRCUIT BOARD (Foil side)

GX-700 P.C.B. INPUT(1) (Lead Type Device)



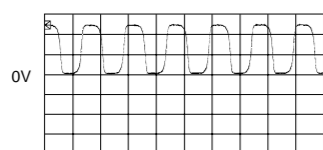
PRINTED CIRCUIT BOARD (Foil side)

GX-700 P.C.B. INPUT(1) (Surface Mount Device)



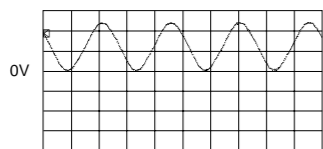
Point ③ (Pin37 of IC8)

V : 2V/div H : 20 μ sec/div
DC range 1 : 1 probe



Point ④ (Pin39 of IC8)

V : 2V/div H : 50 nsec/div
DC range 1 : 1 probe

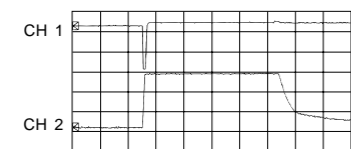


Point ⑤

CH1 : Collector of Q19 V : 2V/div (CH1)
CH2 : Anode of D11 V : 2V/div (CH2)

H : 0.5 sec/div DC range 1 : 1 probe

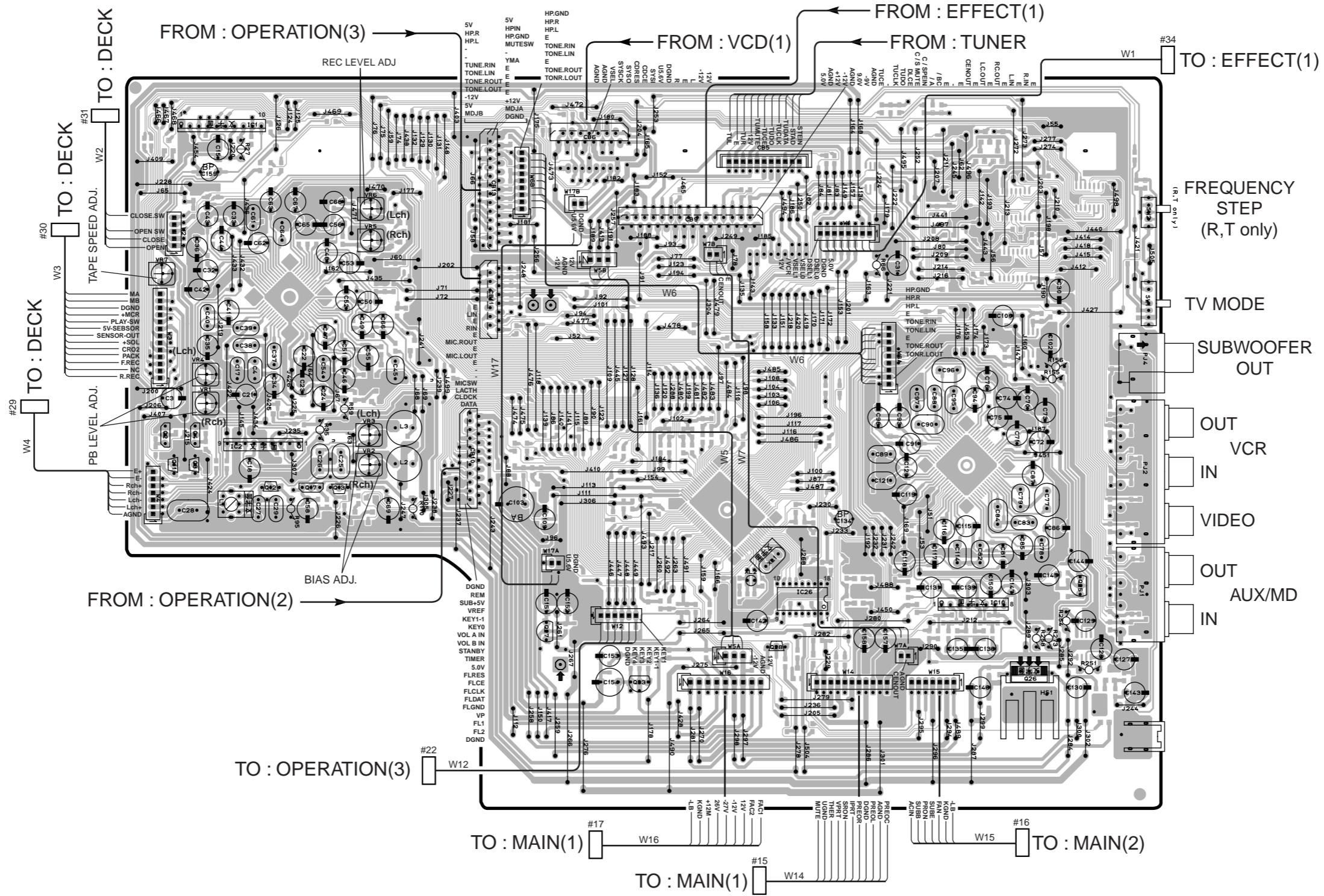
(This waveform is not available by pushing the power switch ON and OFF.)



With the POWER ON, disconnect the A/C power cord. Reconnect the A/C power cord and the above waveforms will start. Disconnect the power cord from the AC outlet.

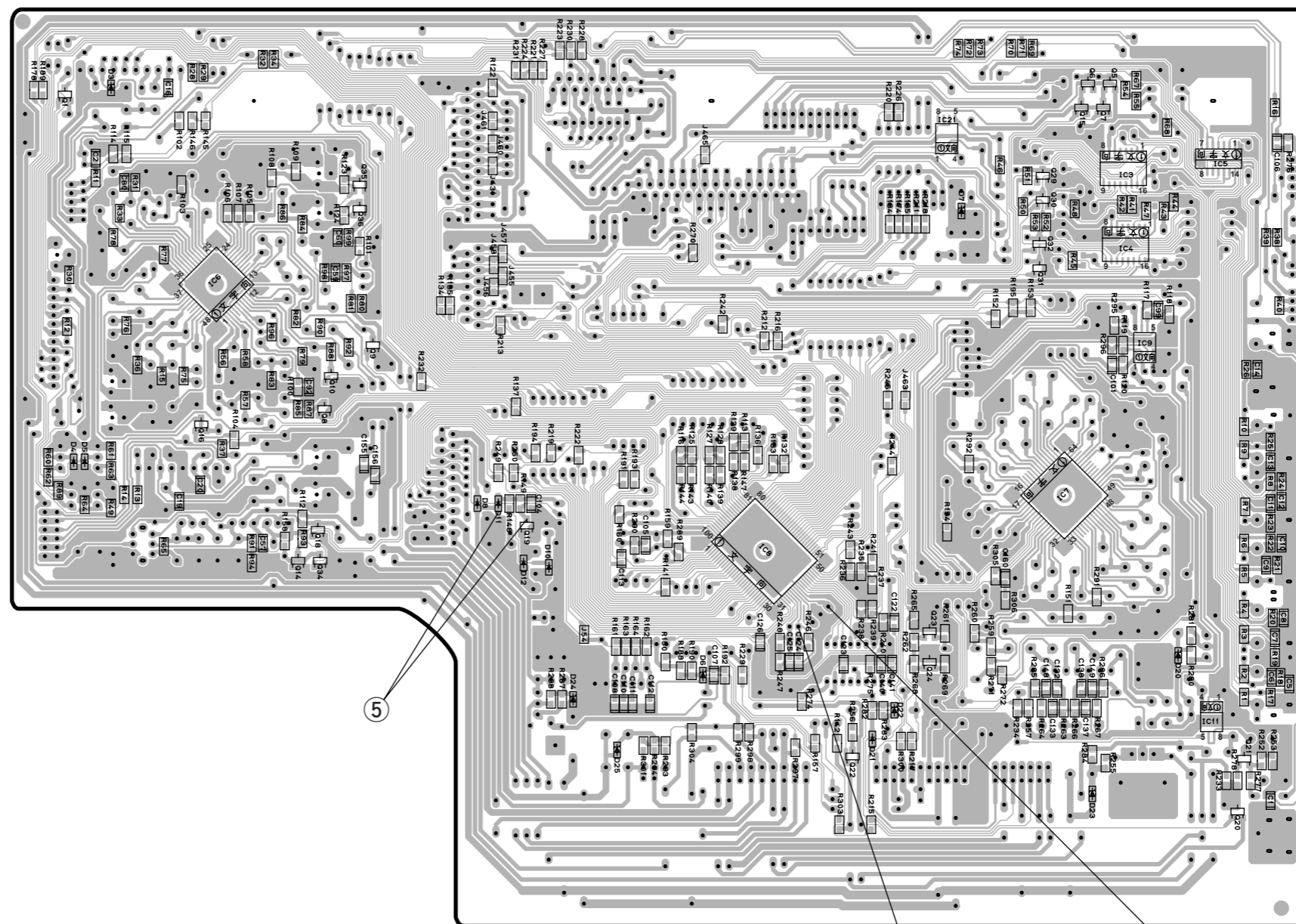
PRINTED CIRCUIT BOARD (Foil side)

GX-700VCD P.C.B. INPUT(1) (Lead Type Device)



PRINTED CIRCUIT BOARD (Foil side)

GX-700VCD P.C.B. INPUT(1) (Surface Mount Device)



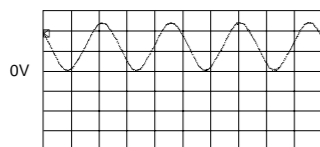
Point ③ (Pin37 of IC8)

V : 2V/div H : 20 μ sec/div
DC range 1 : 1 probe



Point ④ (Pin39 of IC8)

V : 2V/div H : 50 nsec/div
DC range 1 : 1 probe

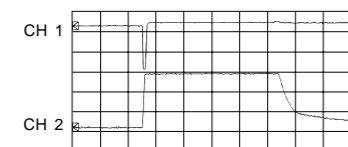


Point ⑤

CH1 : Collector of Q19 V : 2V/div (CH1)
CH2 : Anode of D11 V : 2V/div (CH2)

H : 0.5 sec/div DC range 1 : 1 probe

(This waveform is not available by pushing the power switch ON and OFF.)

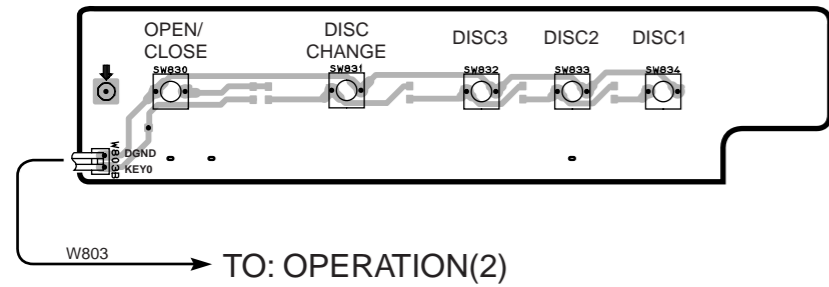


With the POWER ON, disconnect the A/C power cord. Reconnect the A/C power cord and the above waveforms will start.

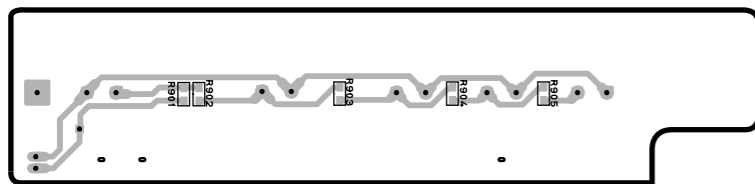
Disconnect the power cord from the AC outlet.

PRINTED CIRCUIT BOARD (Foil side)

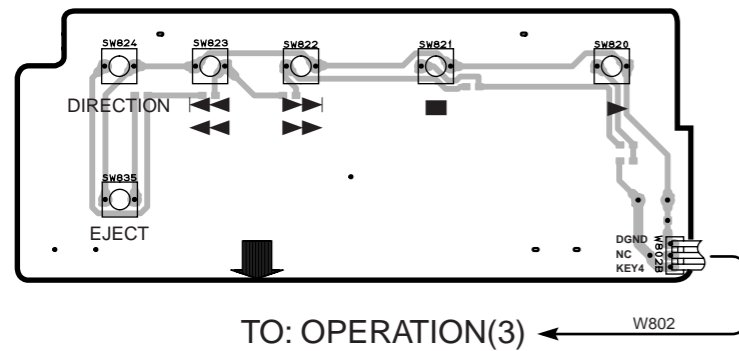
P.C.B. OPERATION(1) (Lead Type Device)



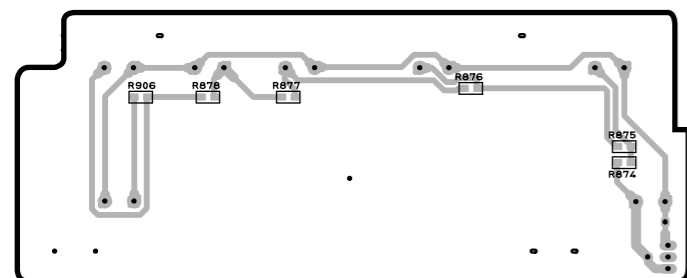
P.C.B. OPERATION(1) (Surface Mount Device)



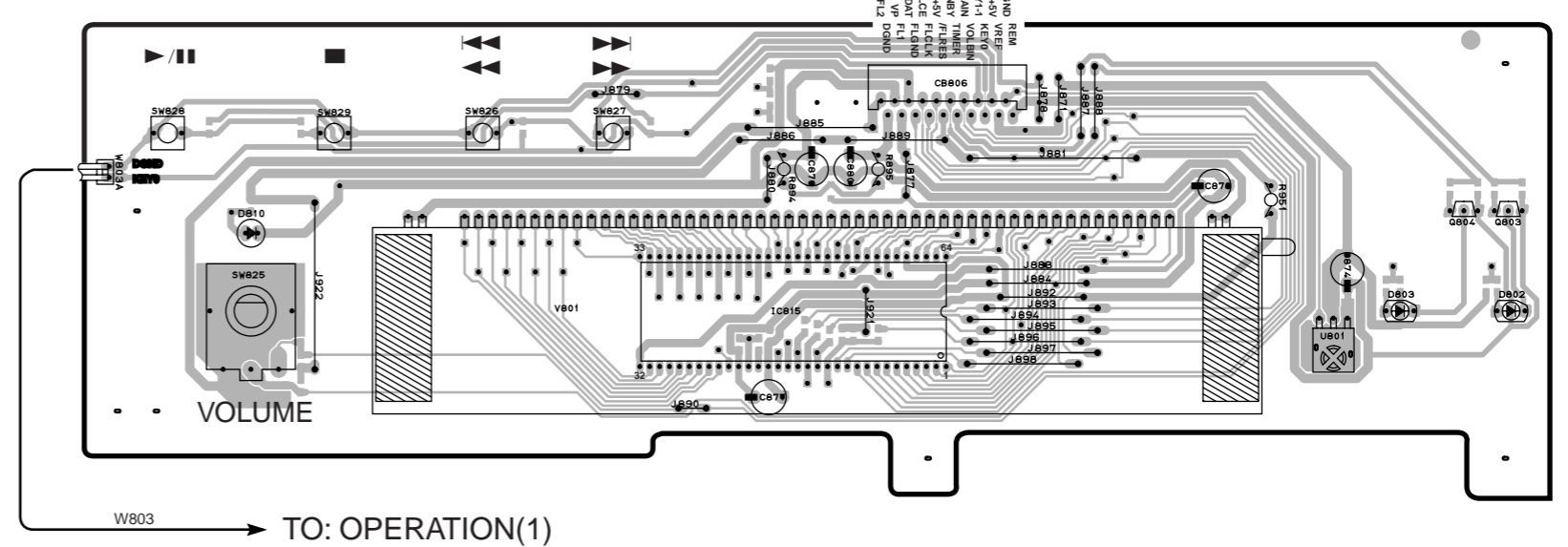
P.C.B. OPERATION(4) (Lead Type Device)



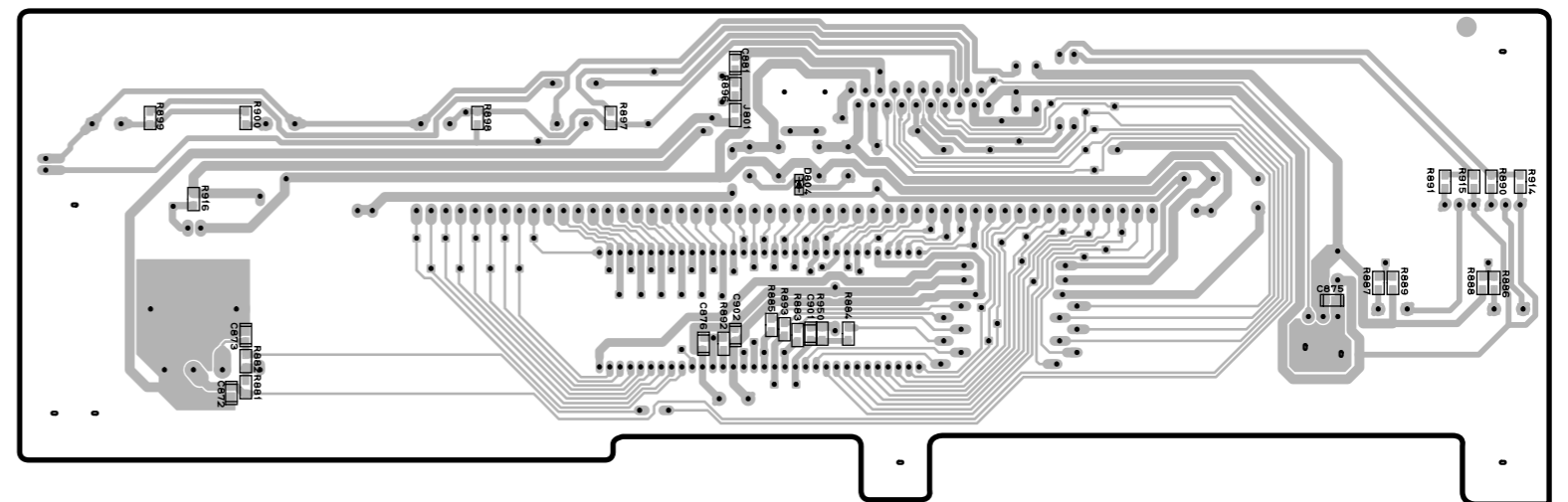
P.C.B. OPERATION(4) (Surface Mount Device)



P.C.B. OPERATION(2) (Lead Type Device)



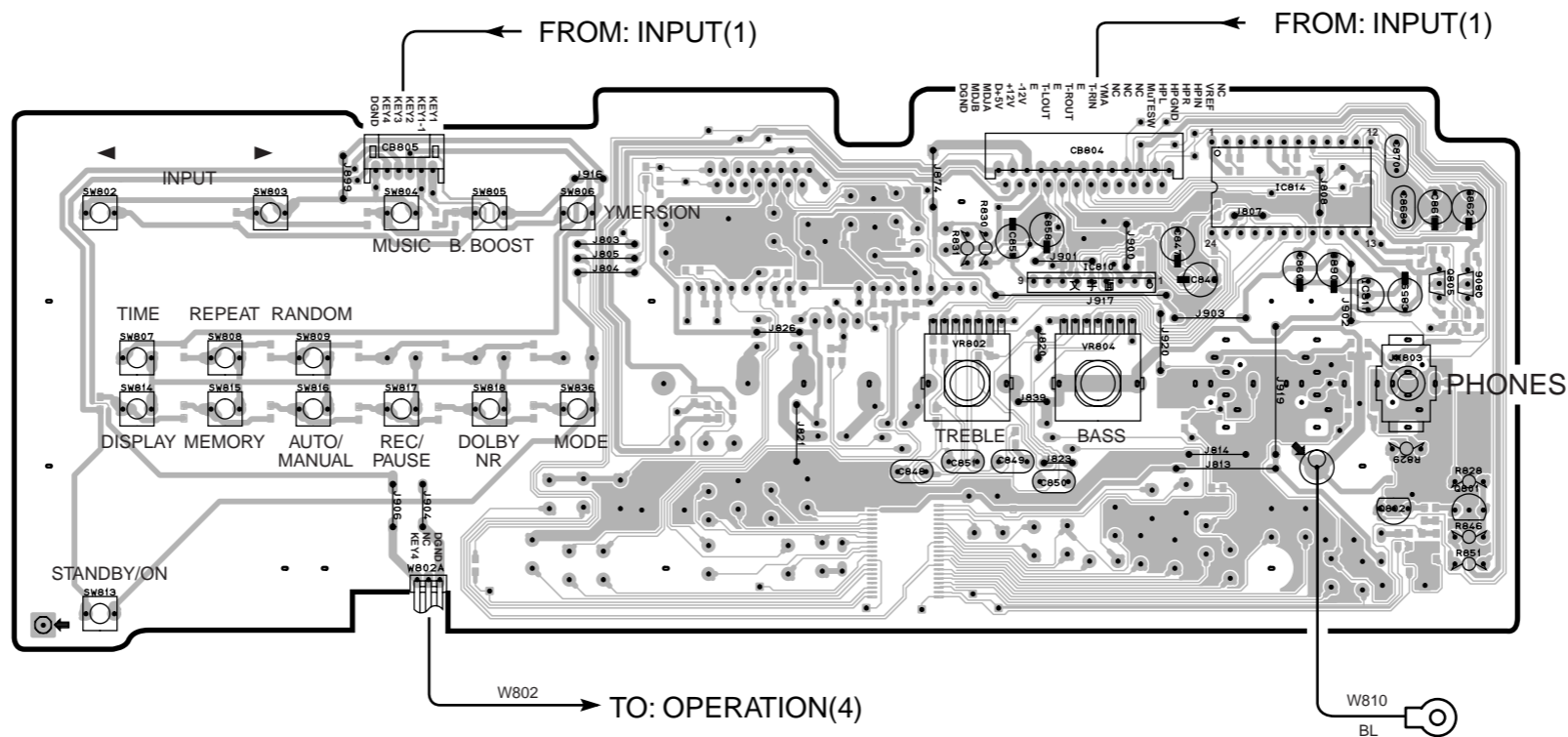
P.C.B. OPERATION(2) (Surface Mount Device)



PRINTED CIRCUIT BOARD (Foil side)

1

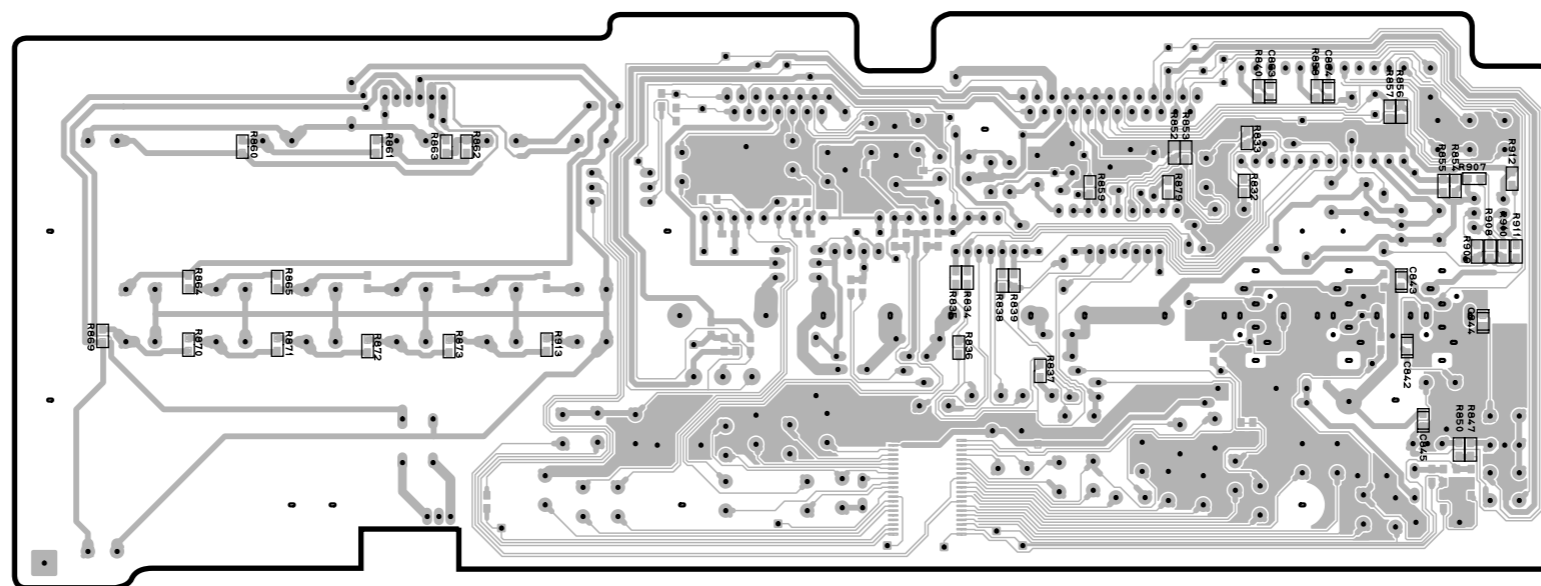
GX-700 P.C.B. OPERATION(3) (Lead Type Device)



2

3

GX-700 P.C.B. OPERATION(3) (Surface Mount Device)



4

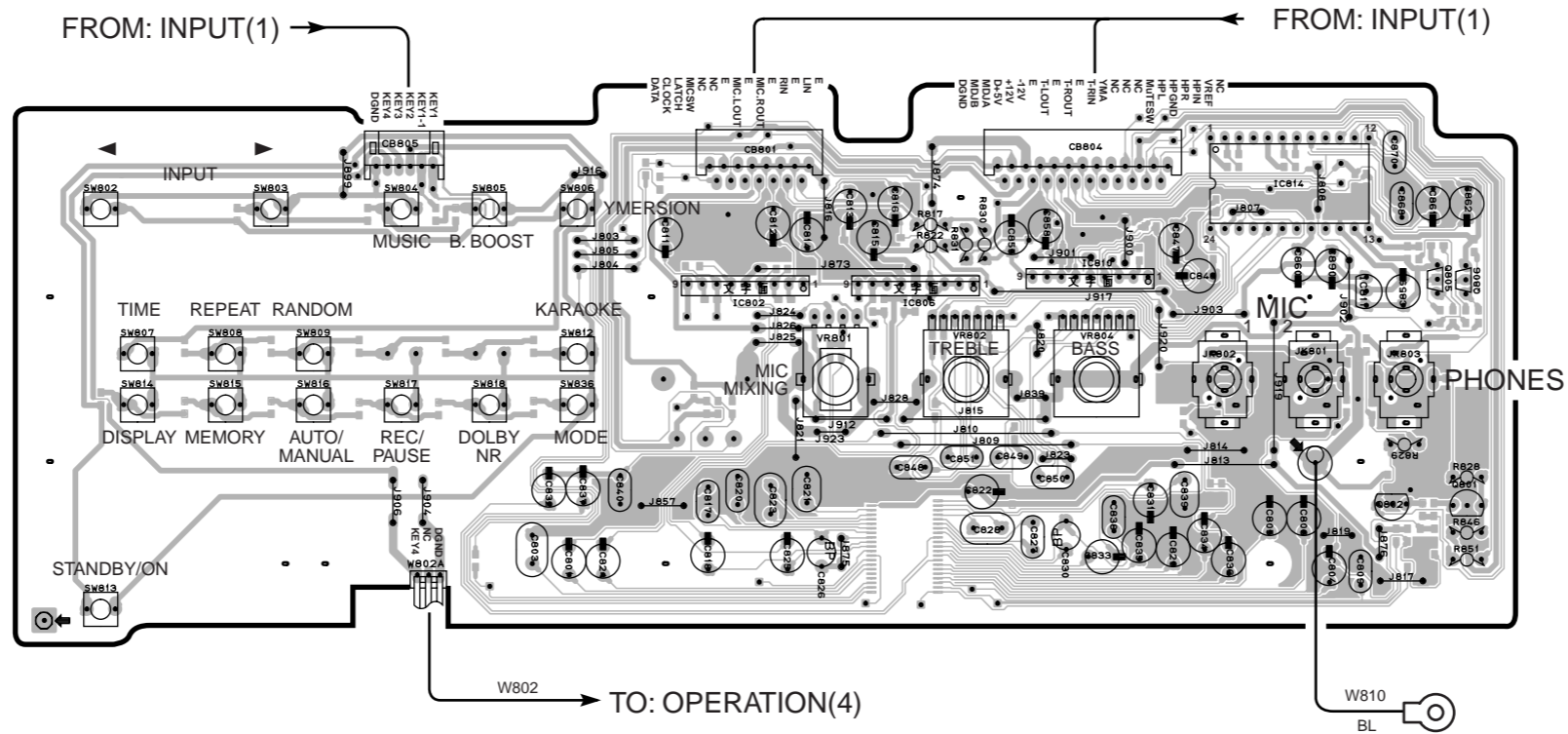
5

6

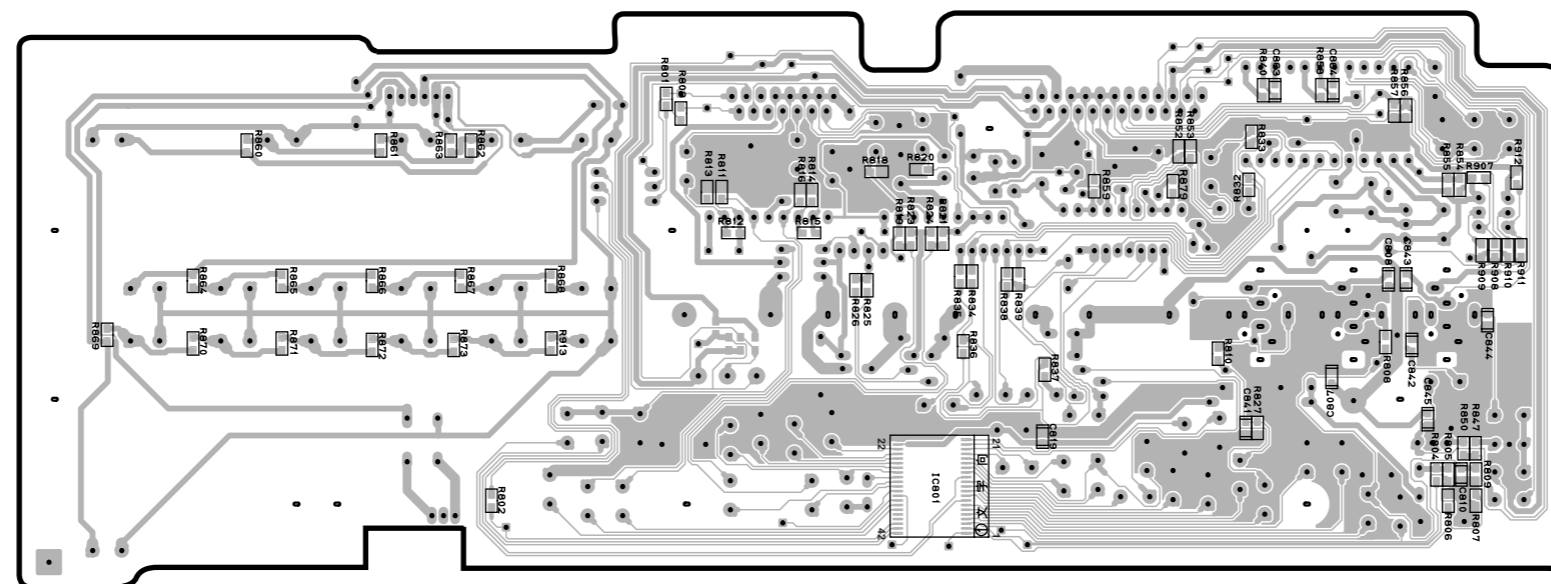
GX-700/GX-700VCD

PRINTED CIRCUIT BOARD (Foil side)

GX-700VCD P.C.B. OPERATION(3) (Lead Type Device)

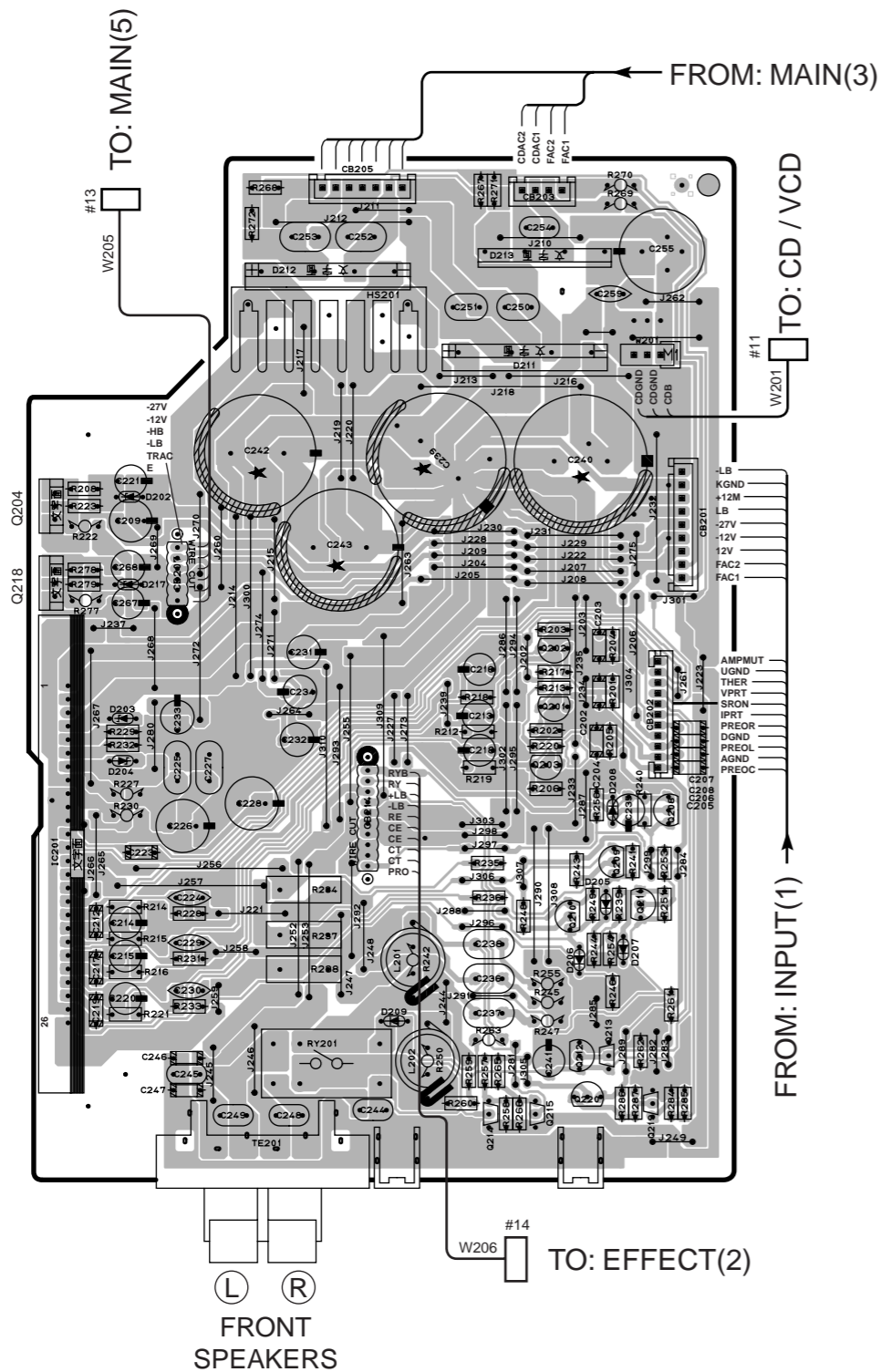


GX-700VCD P.C.B. OPERATION(3) (Surface Mount Device)

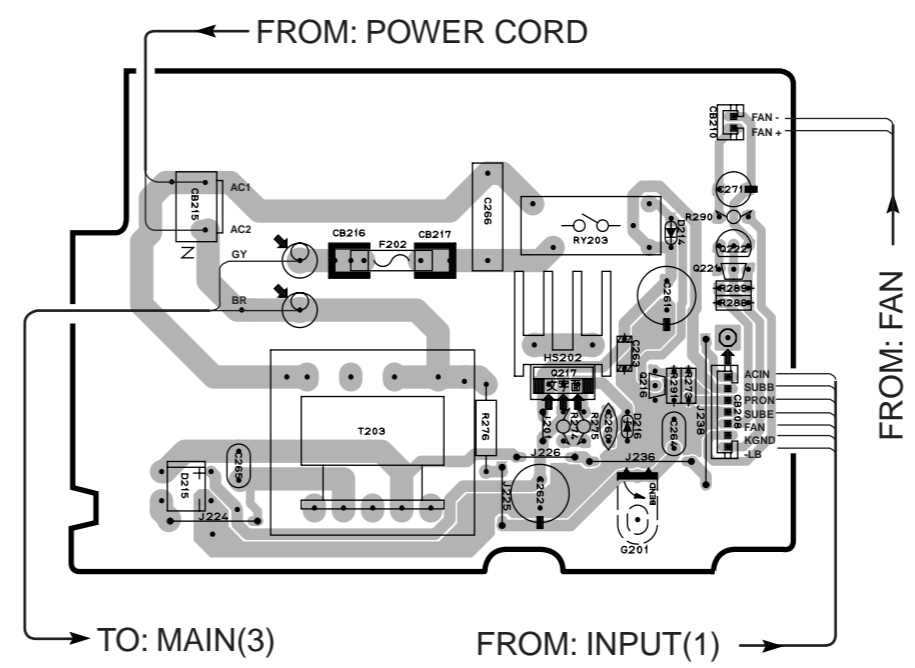


PRINTED CIRCUIT BOARD (Foil side)

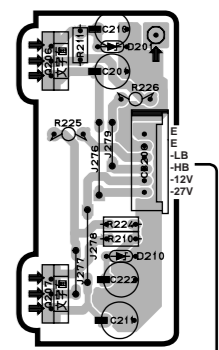
P.C.B. MAIN(1)



P.C.B. MAIN(2)

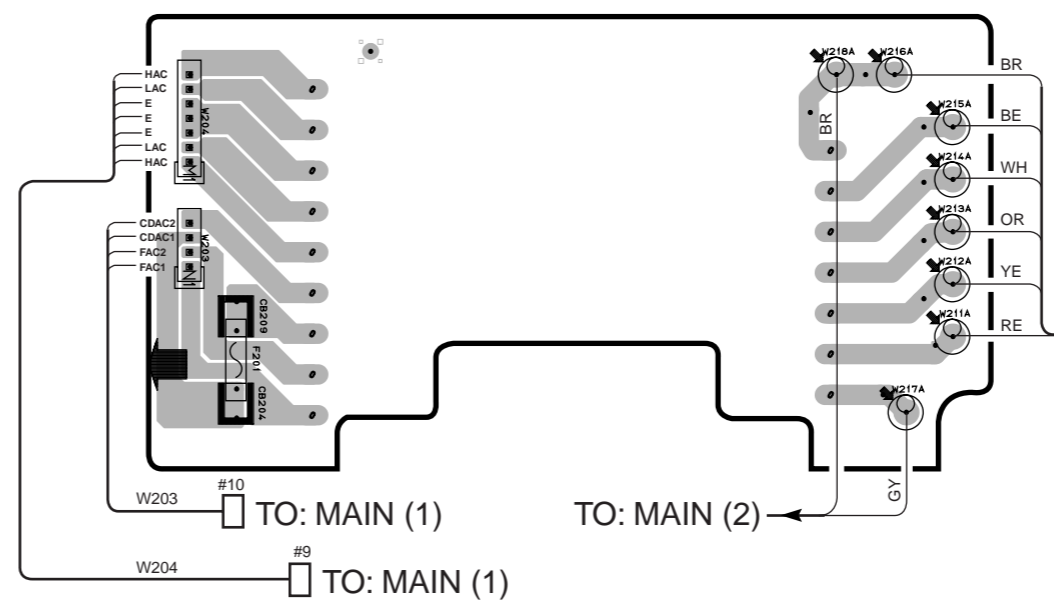


P.C.B. MAIN (5)

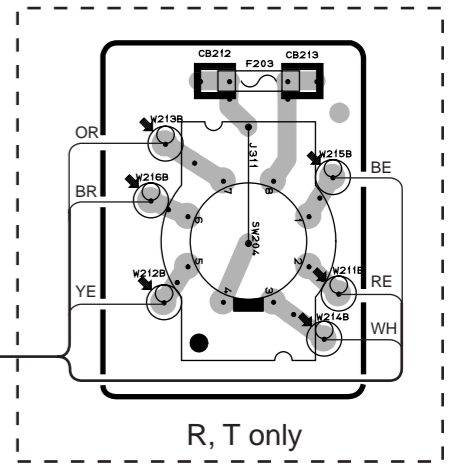


FROM: MAIN(1)

P.C.B. MAIN (3)



P.C.B. MAIN (4)



R, T only
VOLTAGE SELECTOR

SW204

110V	1-2/5-6
120V	2-3/6-7
240V	3-4/7-8
220V	4-5/8-1

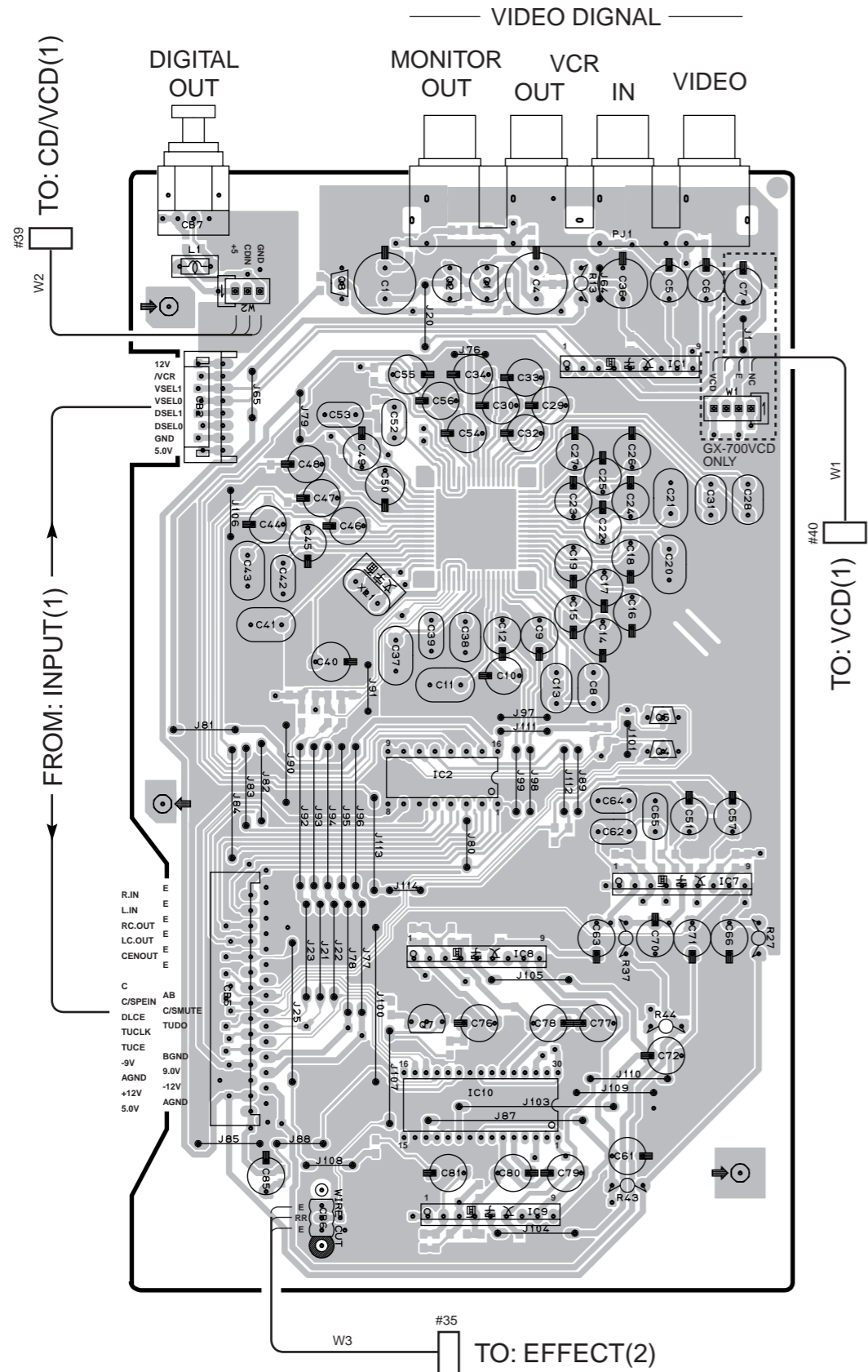
CIRCUIT CHANGES BY MARKET.

	U, C	R, T	A, B, G, L
Q217	X	O	X
HS202	X	O	X
D216	X	O	X
C260, 262	X	O	X
R274, 275	X	O	X
R276	O	X	X
J201	O	X	O

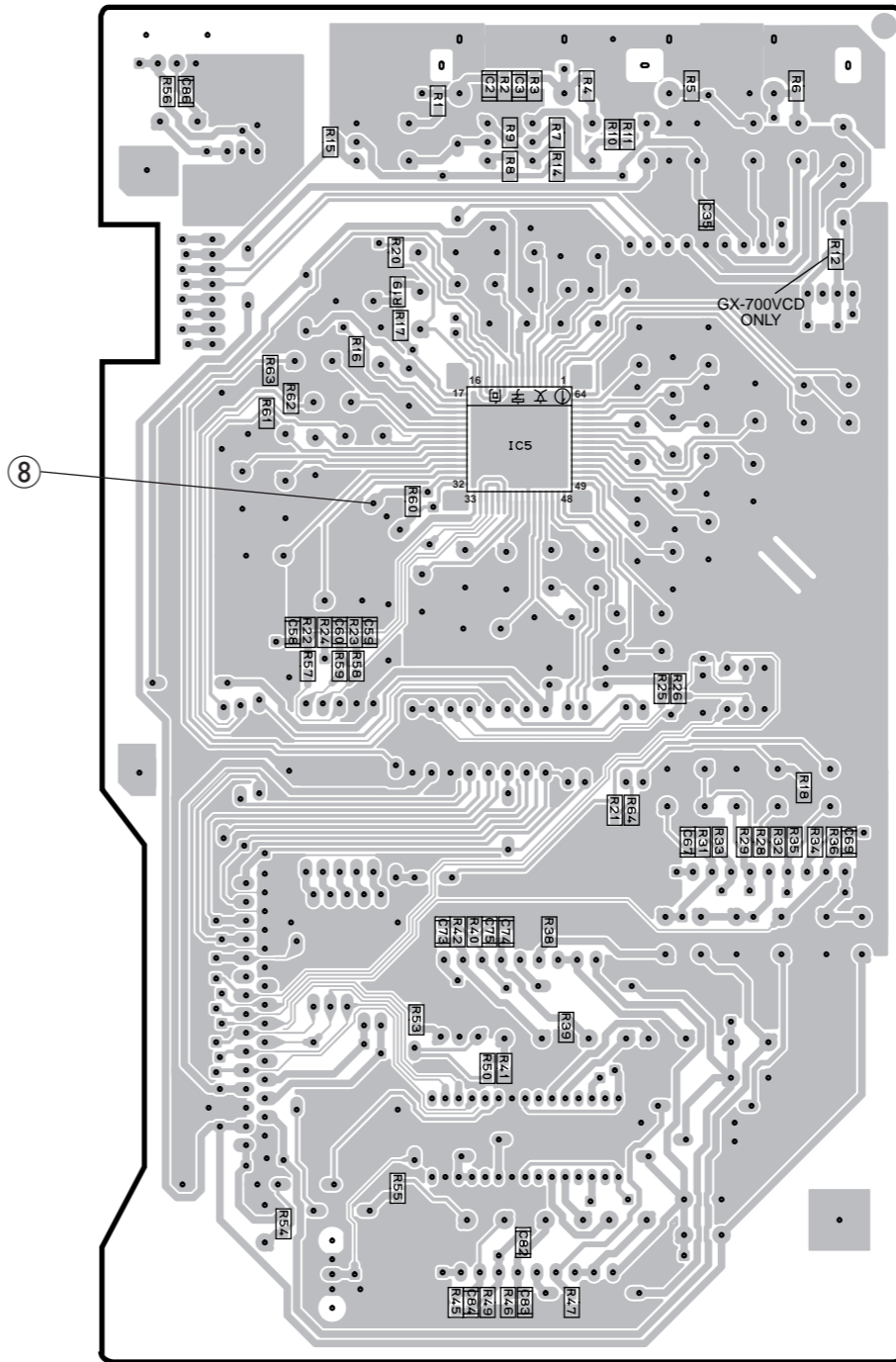
O : USED
X : NOT USED

PRINTED CIRCUIT BOARD (Foil side)

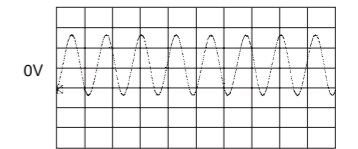
P.C.B. EFFECT(1) (Lead Type Device)



P.C.B. EFFECT(1) (Surface Mount Device)

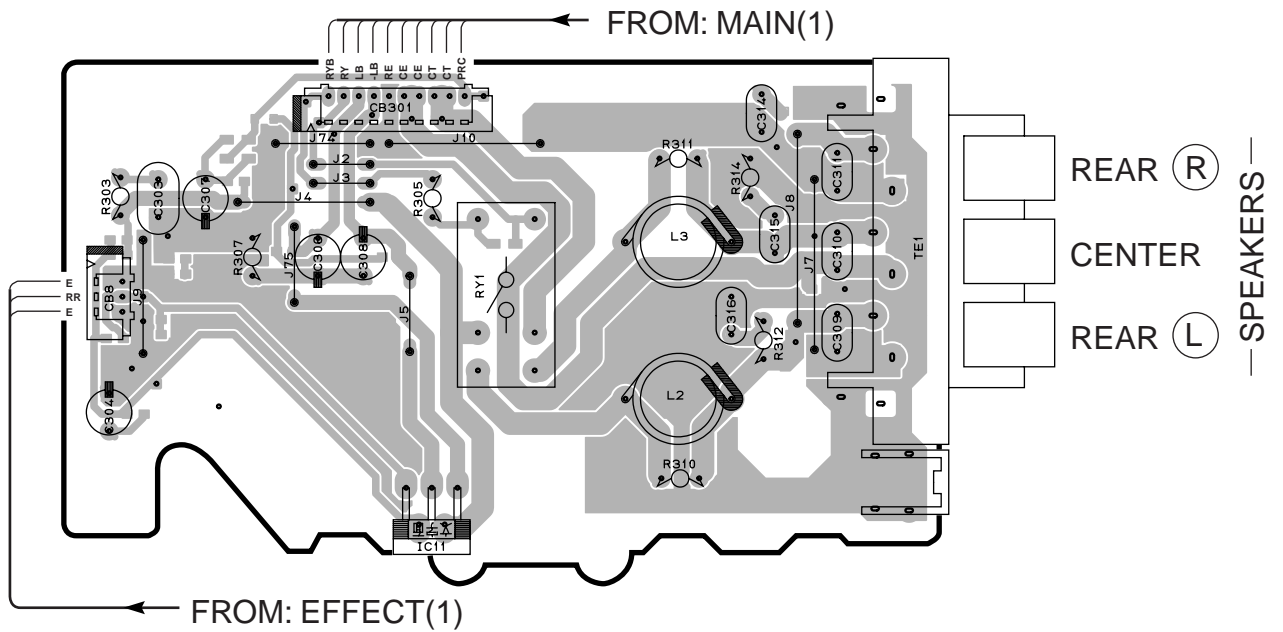


Point ⑧ (Pin32 of IC5)
 V : 2V/div H : 0.1 μsec/div
 DC range 1 : 1 probe

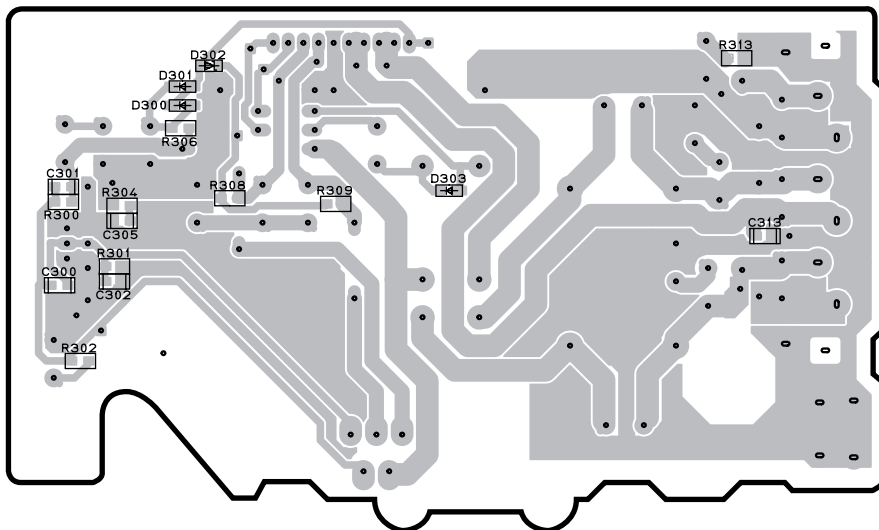


■ PRINTED CIRCUIT BOARD (Foil side)

P.C.B. EFFECT(2) (Lead Type Device)



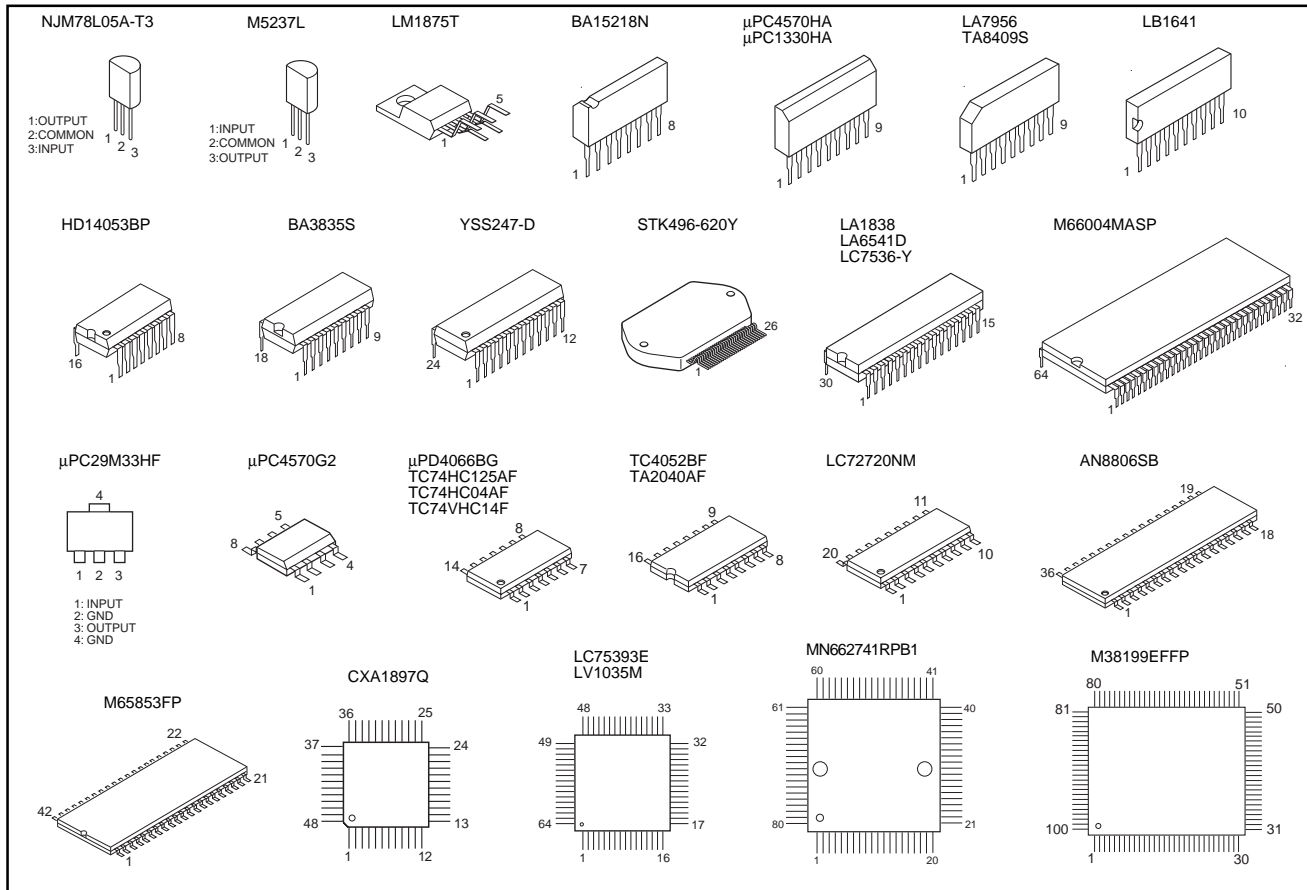
P.C.B. EFFECT(2) (Surface Mount Device)



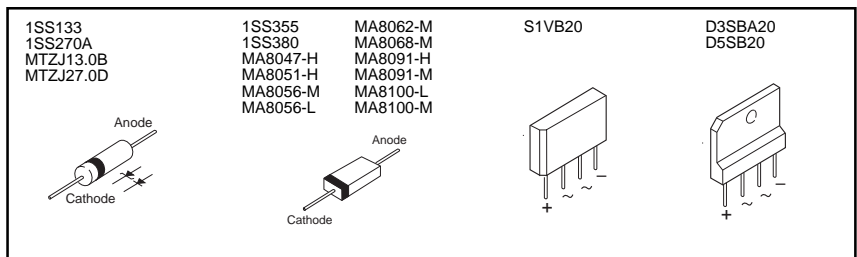
GX-700VCD

PIN CONNECTION DIAGRAM

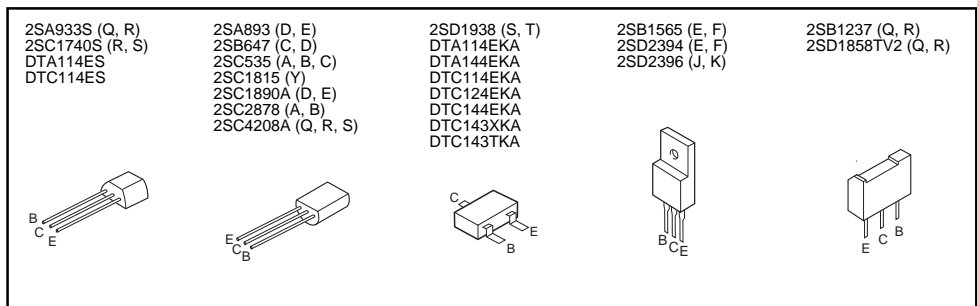
ICs



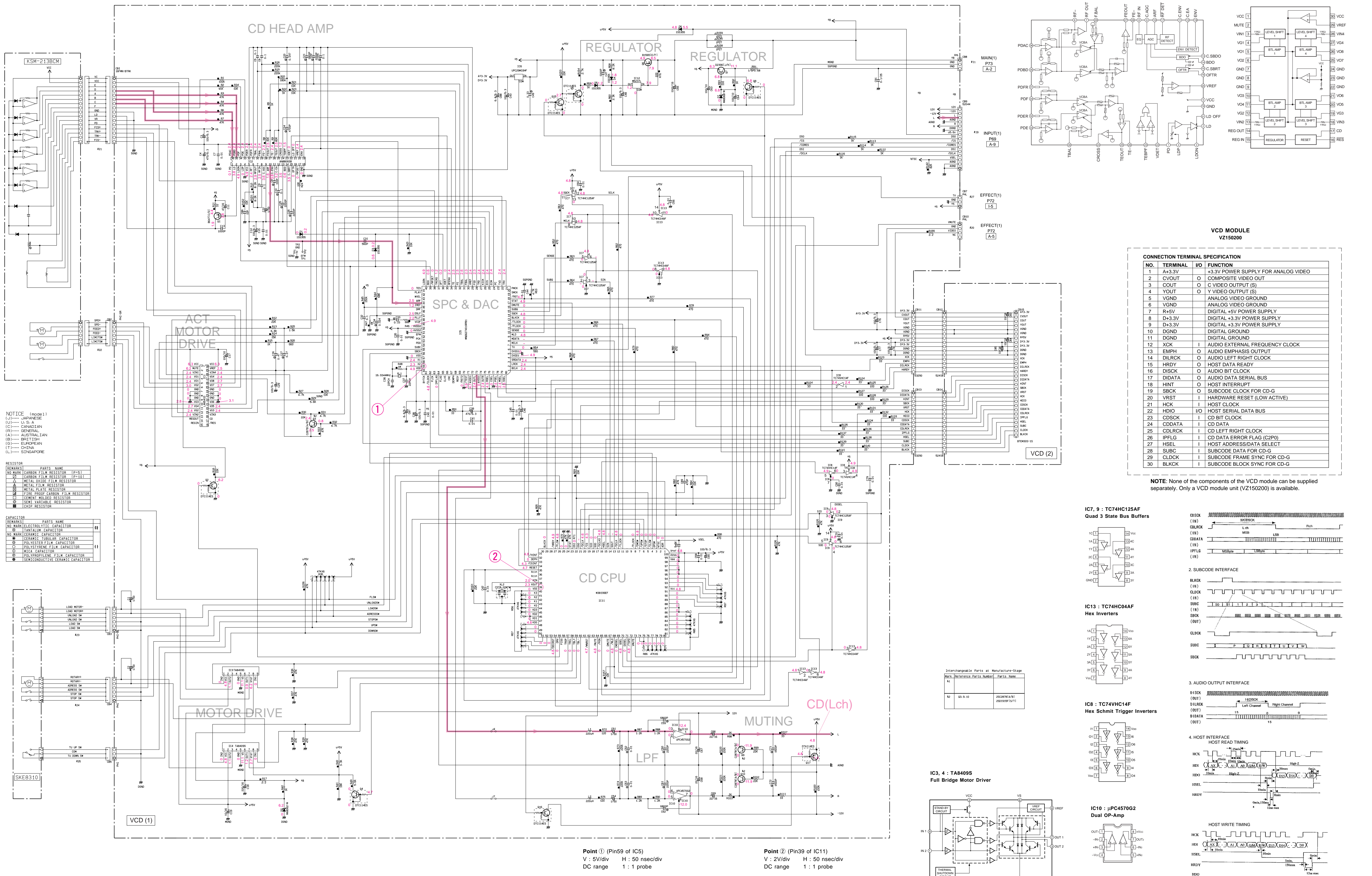
Diodes



Transistors



SCHEMATIC DIAGRAM (GX-700VCD VCD)



NOTICE (model1)
 (J)..... JAPANESE
 (U)..... U.S.A.
 (C)..... CANADIAN
 (R)..... GENERAL
 (A)..... AUSTRALIAN
 (B)..... BRITISH
 (G)..... EUROPEAN
 (T)..... CHINA
 (L)..... SINGAPORE

RESISTOR
 (S)..... PARTS NAME
 NO. MARK CARBON FILM RESISTOR (P-15)
 (C) CARBON FILM RESISTOR (P-10)
 (M) METAL FILM RESISTOR
 (A) METAL FILM RESISTOR
 (R) METAL FILM RESISTOR
 (F) FINE PITCH CARBON FILM RESISTOR
 (T) THERMISTOR RESISTOR
 (V) SEMI VARIABLE RESISTOR
 (W) CHIP RESISTOR

CAPACITOR
 (S)..... PARTS NAME
 NO. MARK ELECTROLYTIC CAPACITOR
 (C) CERAMIC CAPACITOR
 (M) CERAMIC TUBULAR CAPACITOR
 (P) POLYESTER FILM CAPACITOR
 (O) POLYESTER FILM CAPACITOR
 (M) MICA CAPACITOR
 (P) POLYPROPYLENE FILM CAPACITOR
 (S) SEMICONDUCTIVE CERAMIC CAPACITOR

INTERCHANGEABLE PARTS AT MANUFACTURE-STAGE
 Mark Reference Parts Number Parts Name
 M1 50-50-10 28287610/1 28281915/11

IC3, 4 : TA8409S Full Bridge Motor Driver
 (S)..... PARTS NAME
 NO. MARK TA8409S

IC10 : μPC4570G2 Dual OP-Amp
 (S)..... PARTS NAME
 NO. MARK μPC4570G2

IC7, 9 : TC74HC125AF Quad 3 State Bus Buffers
 (S)..... PARTS NAME
 NO. MARK TC74HC125AF

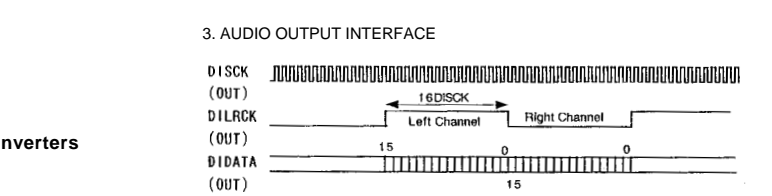
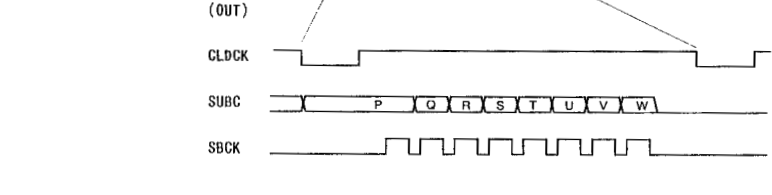
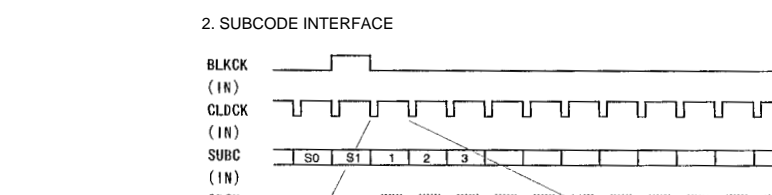
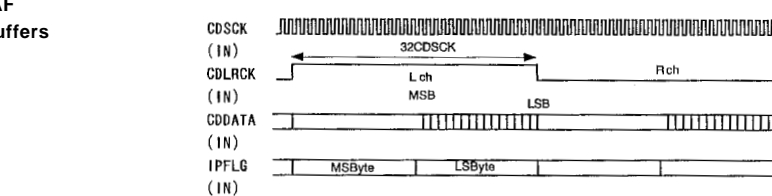
IC8 : TC74VHC14F Hex Schmitt Trigger Inverters
 (S)..... PARTS NAME
 NO. MARK TC74VHC14F

IC9 : TC74HC04F Hex Inverters
 (S)..... PARTS NAME
 NO. MARK TC74HC04F

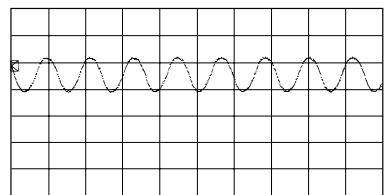
CONNECTION TERMINAL SPECIFICATION

NO.	TERMINAL	I/O	FUNCTION
1	A+3.3V	O	+3.3V POWER SUPPLY FOR ANALOG VIDEO
2	CVOUT	O	COMPOSITE VIDEO OUT
3	COUT	O	C VIDEO OUTPUT (S)
4	YOUT	O	Y VIDEO OUTPUT (S)
5	VGND	O	ANALOG VIDEO GROUND
6	VGND	O	ANALOG VIDEO GROUND
7	R+5V	O	DIGITAL +5V POWER SUPPLY
8	D+3.3V	O	DIGITAL +3.3V POWER SUPPLY
9	DGND	O	DIGITAL GROUND
10	DGND	O	DIGITAL GROUND
11	DGND	O	DIGITAL GROUND
12	XCK	I	AUDIO EXTERNAL FREQUENCY CLOCK
13	EMPH	O	AUDIO EMPHASIS OUTPUT
14	DILRCK	O	AUDIO LEFT RIGHT CLOCK
15	HRDY	O	HOST DATA READY
16	DISCK	O	AUDIO BIT CLOCK
17	DIDATA	O	AUDIO DATA SERIAL BUS
18	HINT	O	HOST INTERRUPT
19	SBCK	O	SUBCODE CLOCK FOR CD-G
20	VRST	I	HARDWARE RESET (LOW ACTIVE)
21	HCK	I	HOST CLOCK
22	HDIO	I/O	HOST SERIAL DATA BUS
23	CDSCCK	I	CD BIT CLOCK
24	CDATA	I	CD DATA
25	CDLRCCK	I	CD LEFT RIGHT CLOCK
26	IFPLG	I	CD DATA ERROR FLAG (CZP0)
27	HSEL	I	HOST ADDRESS DATA SELECT
28	SUBC	I	SUBCODE DATA FOR CD-G
29	CLKCK	I	SUBCODE FRAME SYNC FOR CD-G
30	BLKCK	I	SUBCODE BLOCK SYNC FOR CD-G

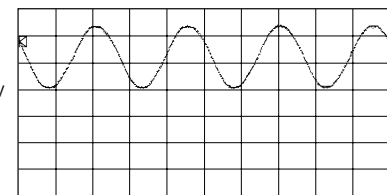
NOTE: None of the components of the VCD module can be supplied separately. Only a VCD module unit (VZ150200) is available.



Point ① (Pin59 of IC5)
 V : 5V/div H : 50 nsec/div
 DC range 1 : 1 probe



Point ② (Pin39 of IC11)
 V : 2V/div H : 50 nsec/div
 DC range 1 : 1 probe



Interchangeable Parts at Manufacture-Stage

Mark	Reference Parts Number	Parts Name
M1	50-50-10	28287610/1 28281915/11

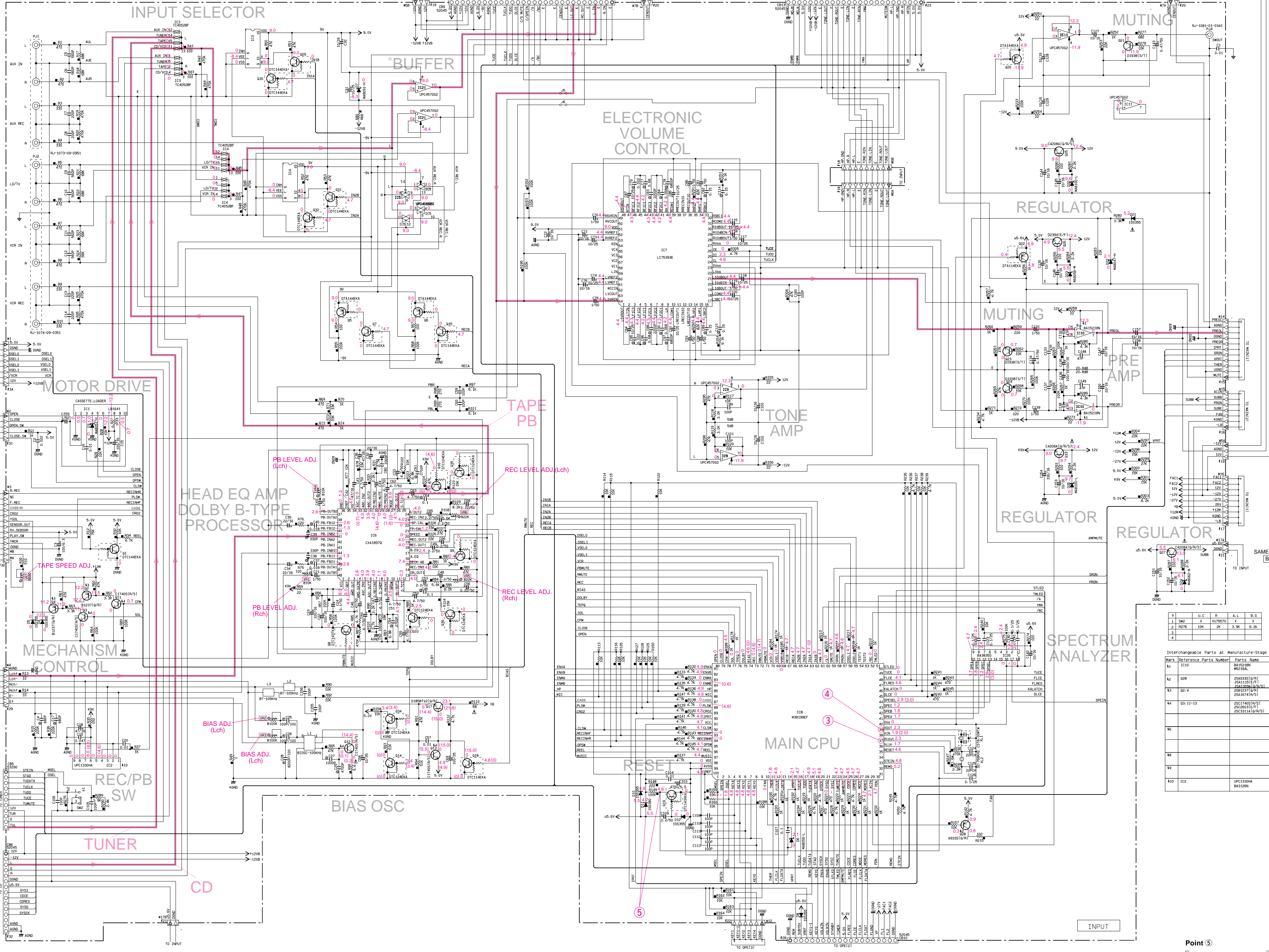
* All voltage are measured with a 10MΩ/V DC electric volt meter.
 * Components having special characteristics are marked Δ and must be replaced with parts having specifications equal to those originally installed.
 * Schematic diagram is subject to change without notice.

SCHEMATIC DIAGRAM (GX-700 INPUT)

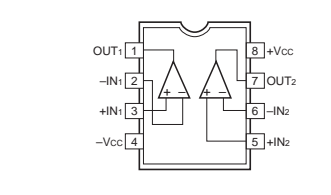
The voltages are measured by LH tape at PLAY mode (no-signal condition) Only the voltages () are at REC mode.

DOLBY NR OFF

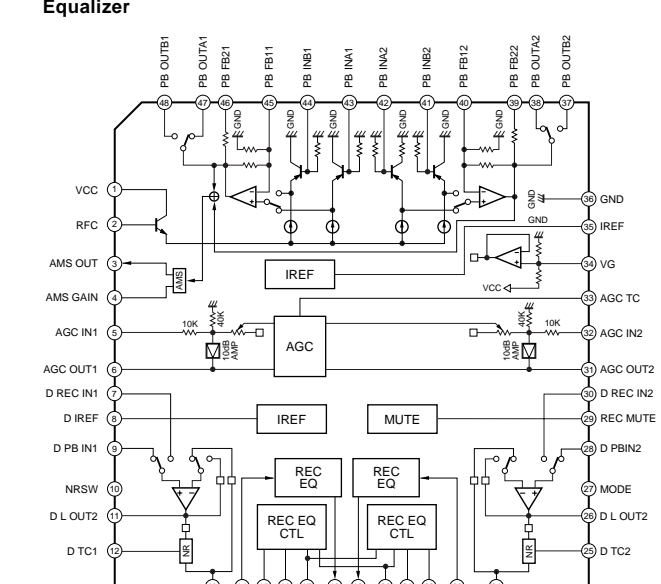
Table with 3 columns: CAPACITOR, RESISTOR, and NOTICE (model). Lists various electronic components and their specifications.



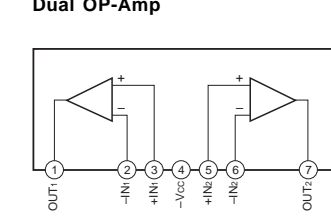
IC9, 11, 21 : μ PC45700Z Dual OP-Amp



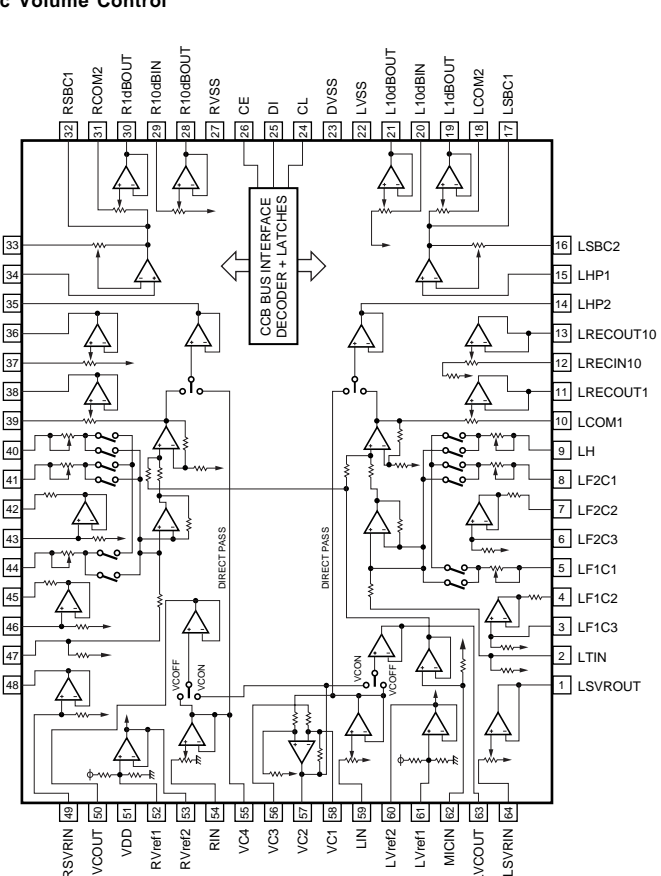
IC6 : CXA1897Q Dolby B-Type Noise Reduction System with Recording/Playback Equalizer



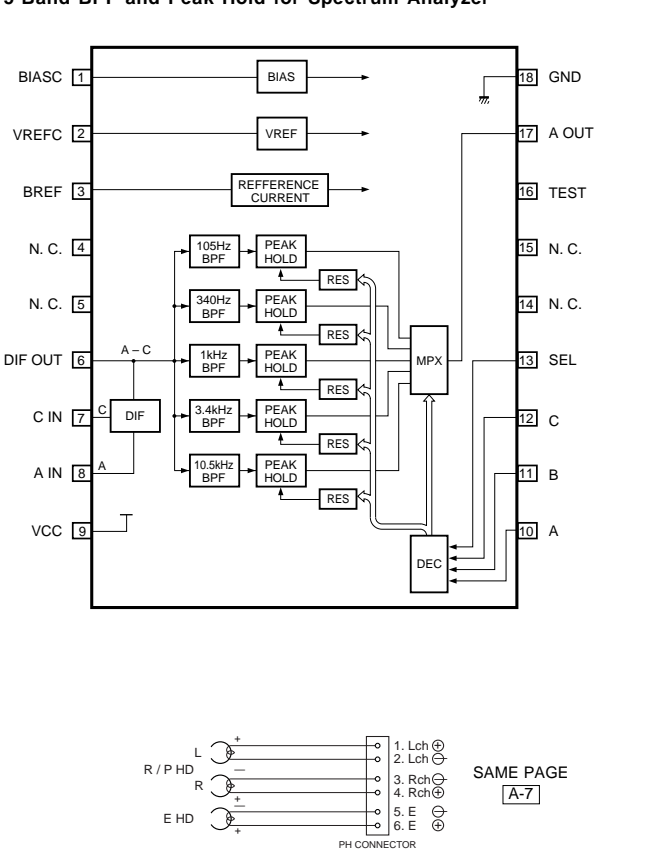
IC10 : BA15218N Dual OP-Amp



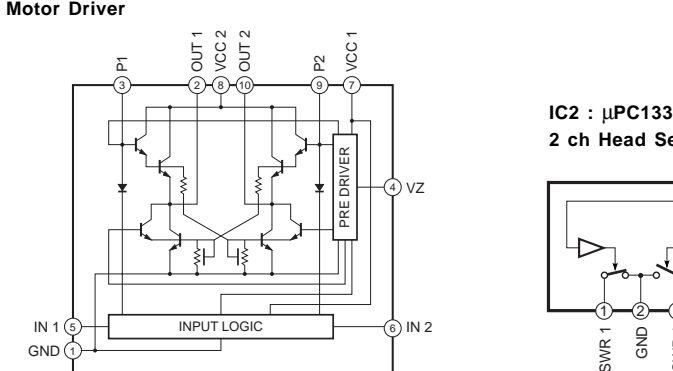
IC7 : LC75393E Electronic Volume Control



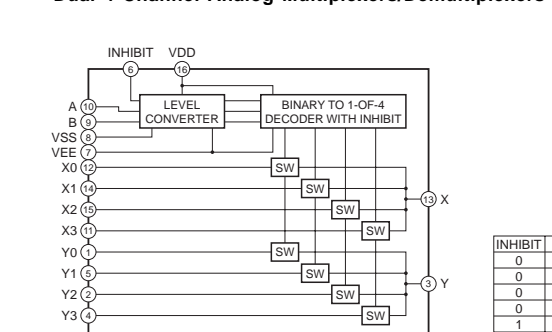
IC26 : BA3835S 5-Band BPF and Peak Hold for Spectrum Analyzer



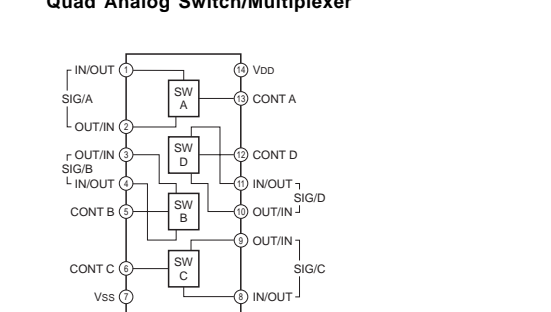
IC1 : LB1641 Motor Driver



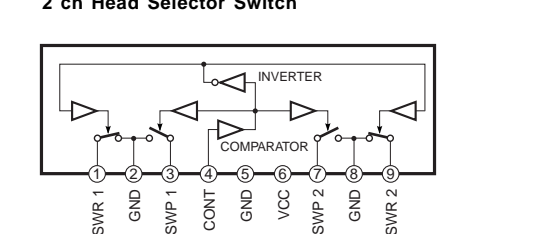
IC3, 4 : TC4052BF Dual 4 Channel Analog Multiplexers/Demultiplexers



IC5 : μ PD4066BG Quad Analog Switch/Multiplexer



IC2 : μ PC1330HA 2 ch Head Selector Switch



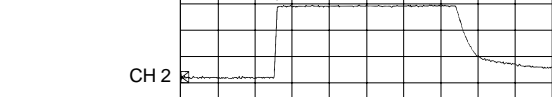
Point ⑤

CH1 : Collector of Q19 V : 2V/div (CH1)

CH2 : Anode of D11 V : 2V/div (CH2)

H : 0.5 sec/div DC range 1 : 1 probe

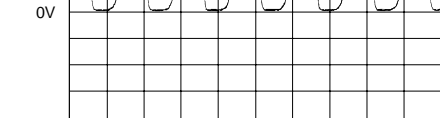
(This waveform is not available by pushing the power switch ON and OFF.)



Point ③ (Pin37 of IC8)

V : 2V/div H : 20 μ sec/div

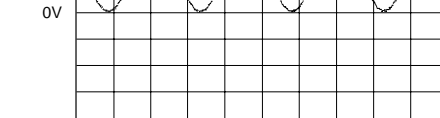
DC range 1 : 1 probe



Point ④ (Pin39 of IC8)

V : 50 nsec/div H : 50 nsec/div

DC range 1 : 1 probe

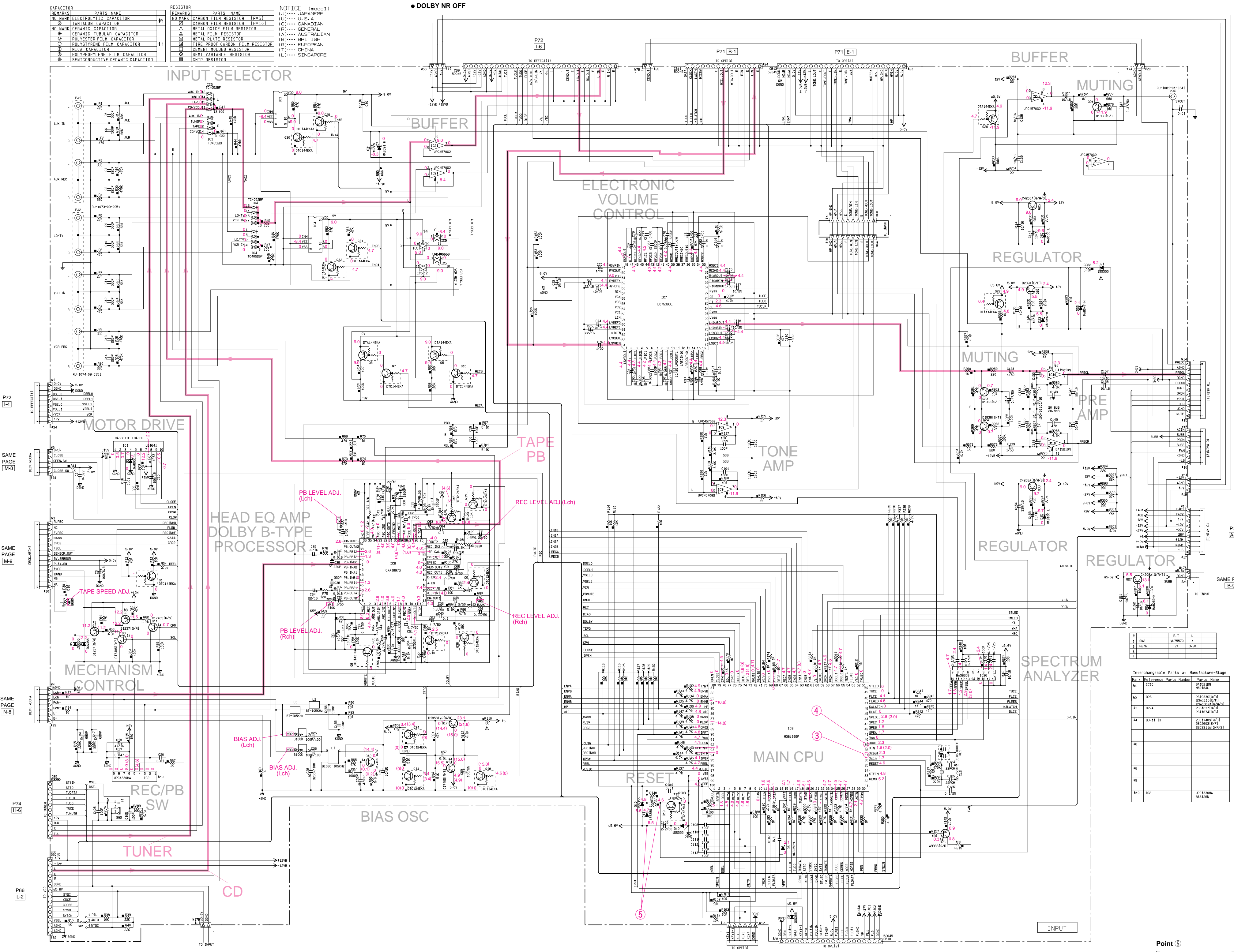


All voltage are measured with a 10M Ω /V DC electric volt meter. Components having special characteristics are marked Δ . and must be replaced with parts having specifications equal to those originally installed. Schematic diagram is subject to change without notice.

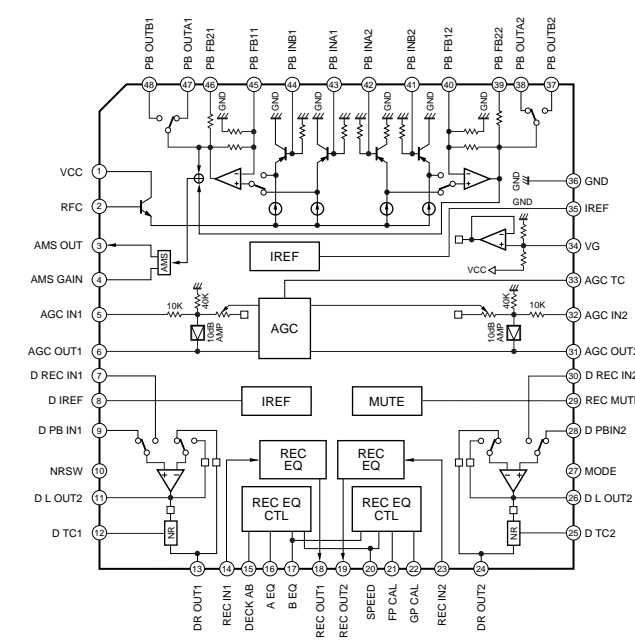
SCHEMATIC DIAGRAM (GX-700VCD INPUT)

The voltages are measured by LH tape at PLAY mode (no-signal condition) Only the voltages () are at REC mode.

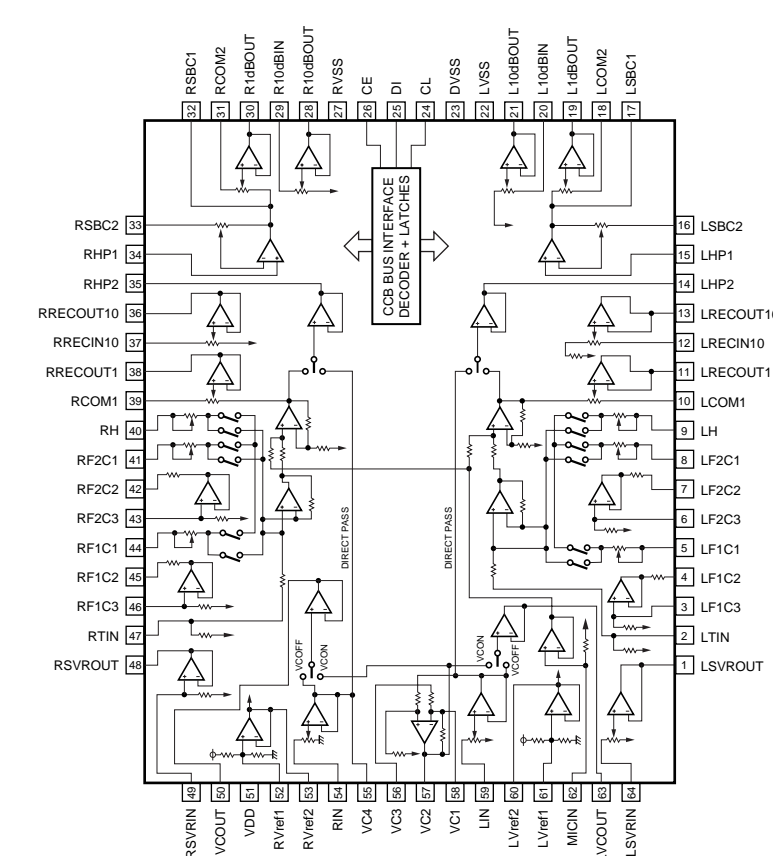
• DOLBY NR OFF



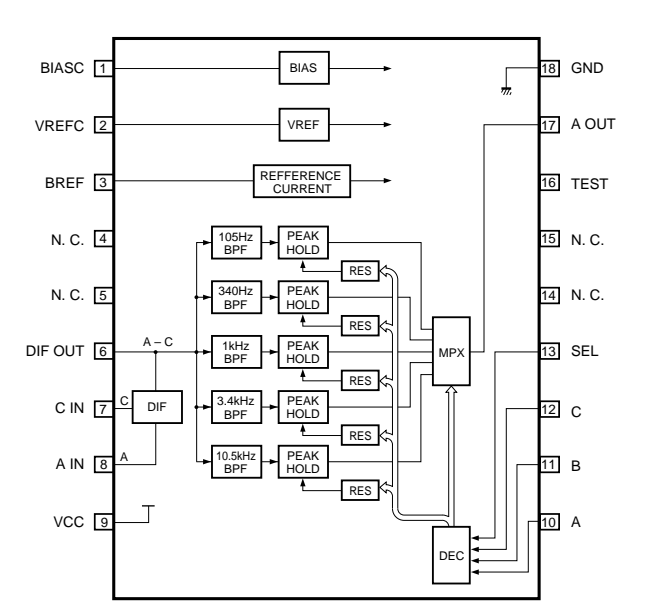
IC6 : CXA1897Q Dolby B-Type Noise Reduction System with Recording/Playback Equalizer



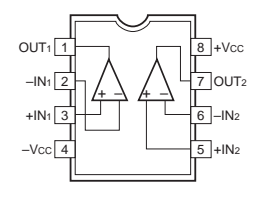
IC7 : LC75393E Electronic Volume Control



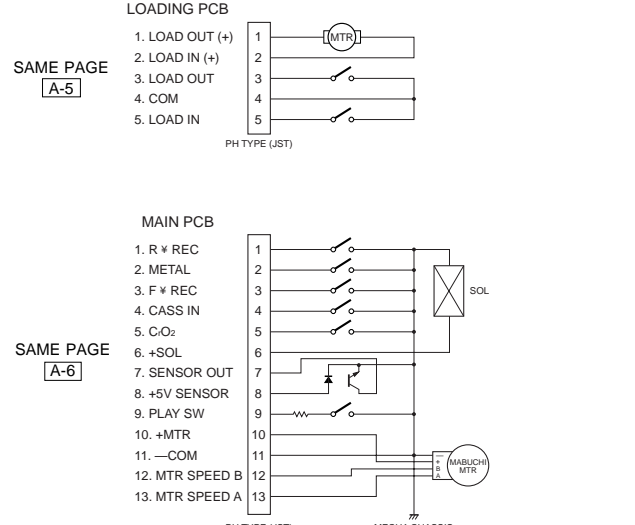
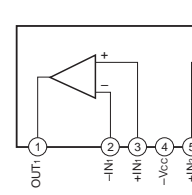
IC26 : BA3835S 5-Band BPF and Peak Hold for Spectrum Analyzer



IC9, 11, 21 : μPC4570G2 Dual OP-Amp

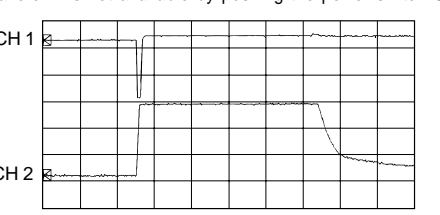


IC10 : BA15218N Dual OP-Amp



Interchangeable Parts at Manufacture Stage table with columns for Part No., Part Name, and Remarks.

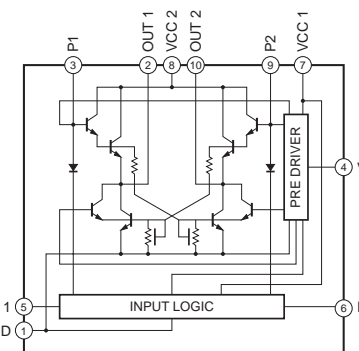
Point ⑤ CH1 : Collector of Q19 V : 2V/div (CH1) CH2 : Anode of D11 V : 2V/div (CH2) H : 0.5 sec/div DC range 1 : 1 probe (This waveform is not available by pushing the power switch ON and OFF.)



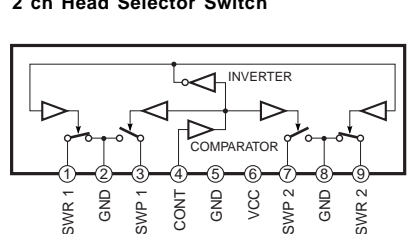
With the POWER ON, disconnect the A/C power cord. Reconnect the A/C power cord and the above waveforms will start. Disconnect the power cord from the AC outlet.

All voltage are measured with a 10MΩ/V DC electric volt meter. Components having special characteristics are marked Δ and must be replaced with parts having specifications equal to those originally installed. Schematic diagram is subject to change without notice.

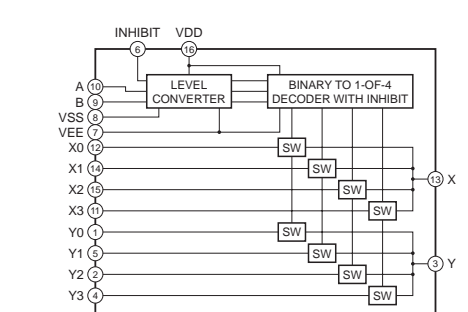
IC1 : LB1641 Motor Driver



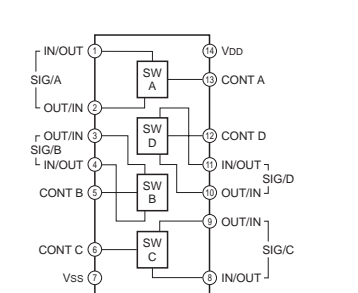
IC2 : μPC1330HA 2 ch Head Selector Switch



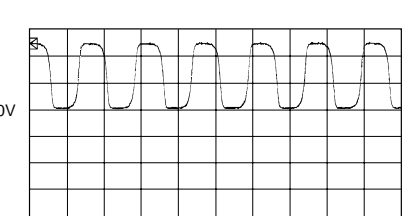
IC3, 4 : TC4052BF Dual 4 Channel Analog Multiplexers/Demultiplexers



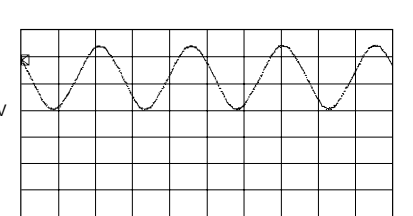
IC5 : μPD4066BG Quad Analog Switch/Multiplexer



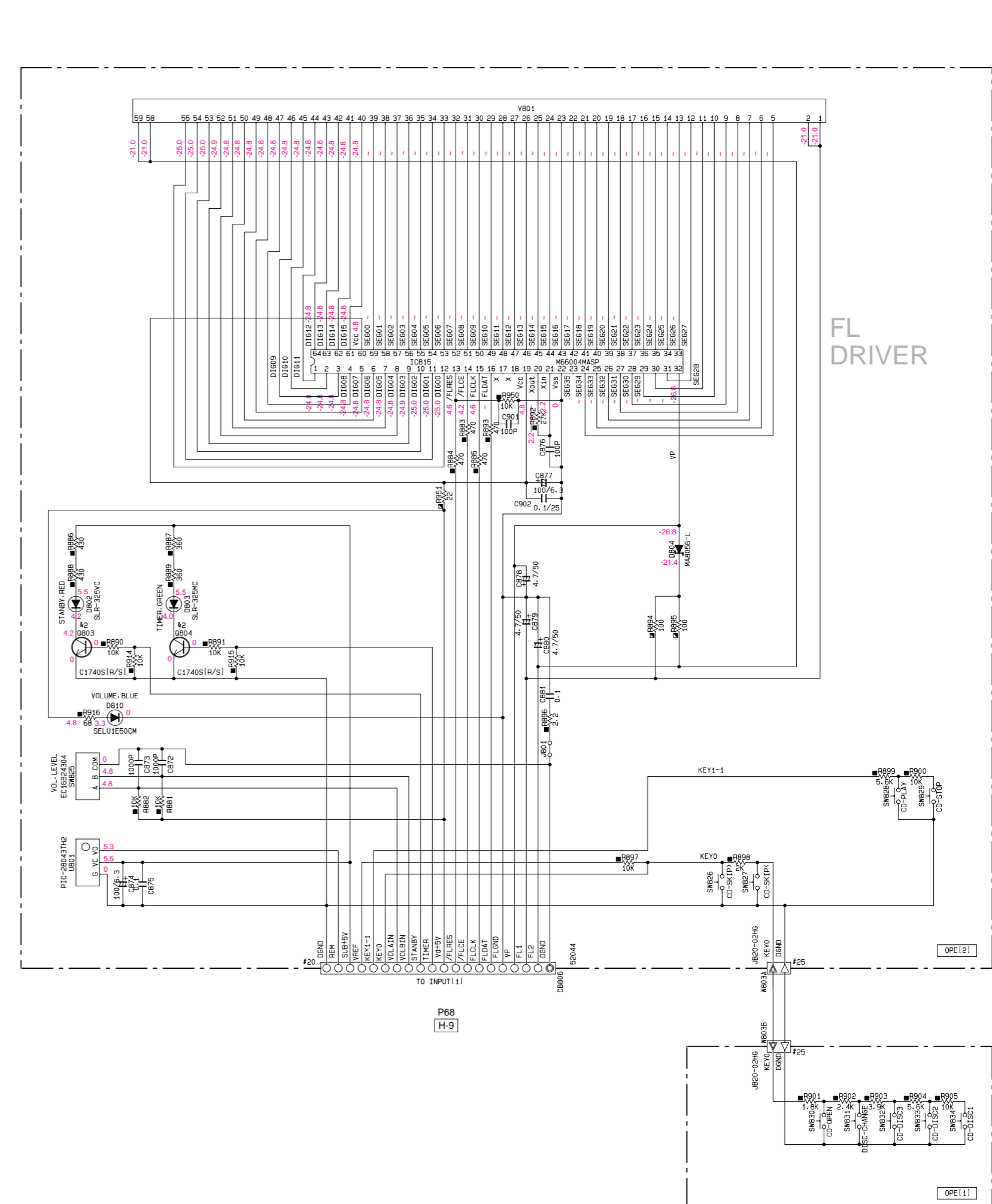
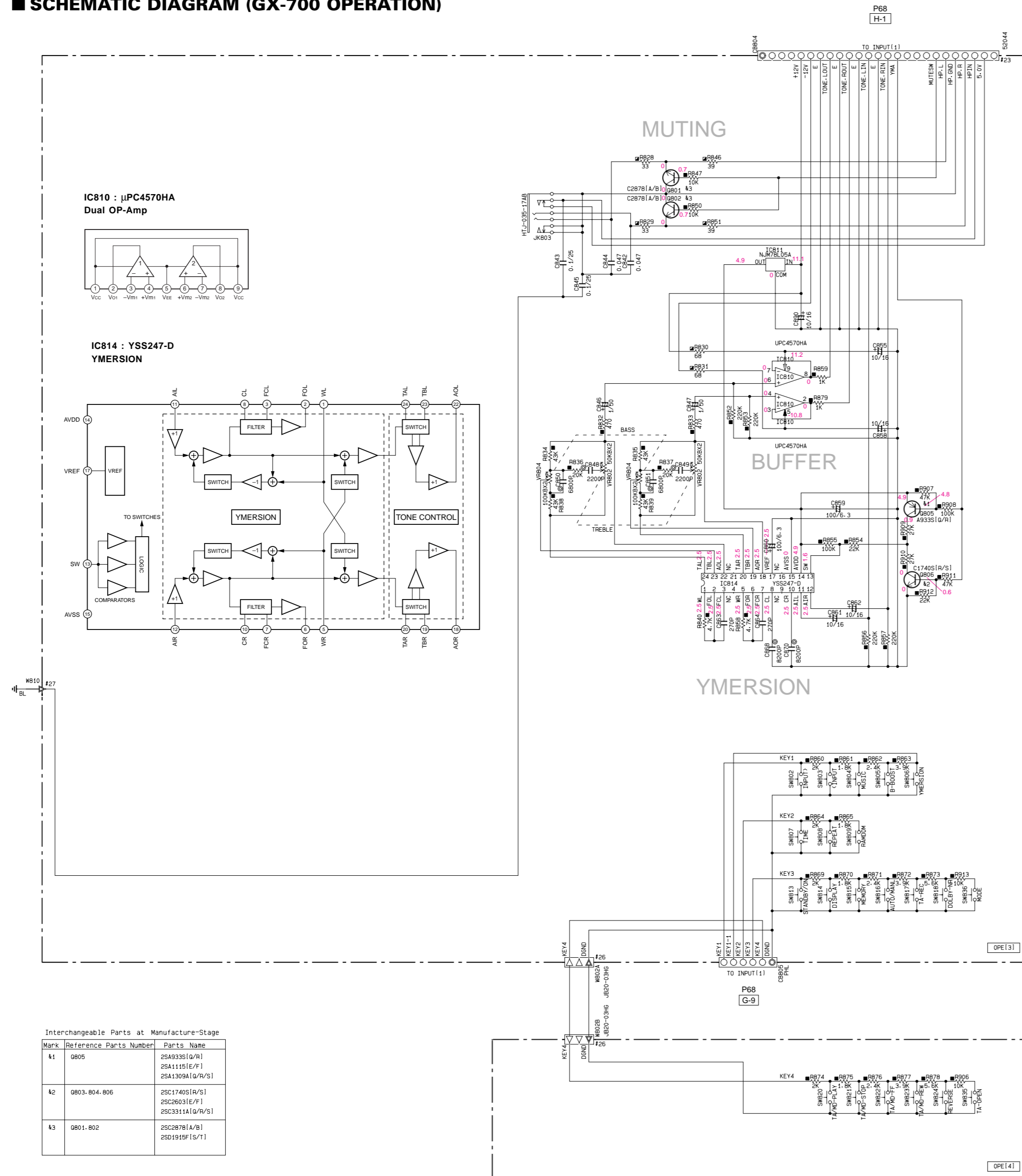
Point ③ (Pin37 of IC8) V : 2V/div H : 20 μsec/div DC range 1 : 1 probe



Point ④ (Pin39 of IC8) V : 2V/div H : 50 nsec/div DC range 1 : 1 probe



SCHEMATIC DIAGRAM (GX-700 OPERATION)



Interchangeable Parts at Manufacture-Stage

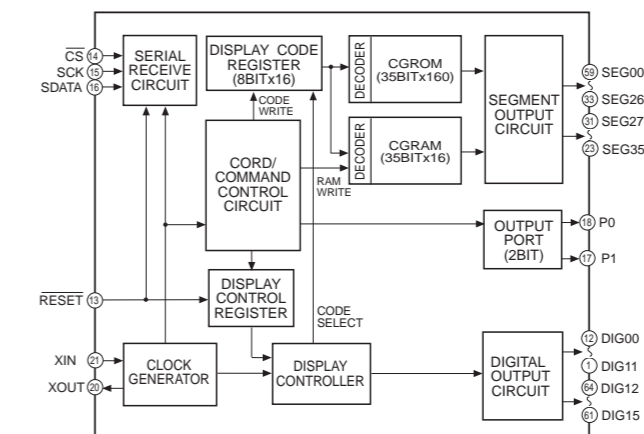
Mark	Reference Parts Number	Parts Name	
k1	0805	2S4933S(g/R) 2S4111S(E/F) 2S41309A(g/R/S)	
	k2	0803.804.806	2SC1740S(R/S) 2SC2603(E/F) 2SC3311A(g/R/S)
		k3	0801.802

REMARKS	CAPACITOR	PARTS NAME
NO MARK	ELECTROLYTIC CAPACITOR	
⊗	TANTALUM CAPACITOR	
NO MARK	CERAMIC CAPACITOR	
⊙	CERAMIC TUBULAR CAPACITOR	
⊕	POLYESTER FILM CAPACITOR	
○	POLYSTYRENE FILM CAPACITOR	
□	MICA CAPACITOR	
⊗	POLYPROPYLENE FILM CAPACITOR	
⊙	SEMICONDUCTIVE CERAMIC CAPACITOR	

REMARKS	RESISTOR	PARTS NAME
NO MARK	CARBON FILM RESISTOR [P=6]	
⊗	CARBON FILM RESISTOR [P=10]	
△	METAL OXIDE FILM RESISTOR	
▲	METAL FILM RESISTOR	
⊠	METAL PLATE RESISTOR	
⊞	FIRE PROOF CARBON FILM RESISTOR	
⊡	CEMENT MOLDED RESISTOR	
⊚	SEMI VARIABLE RESISTOR	
■	CHIP RESISTOR	

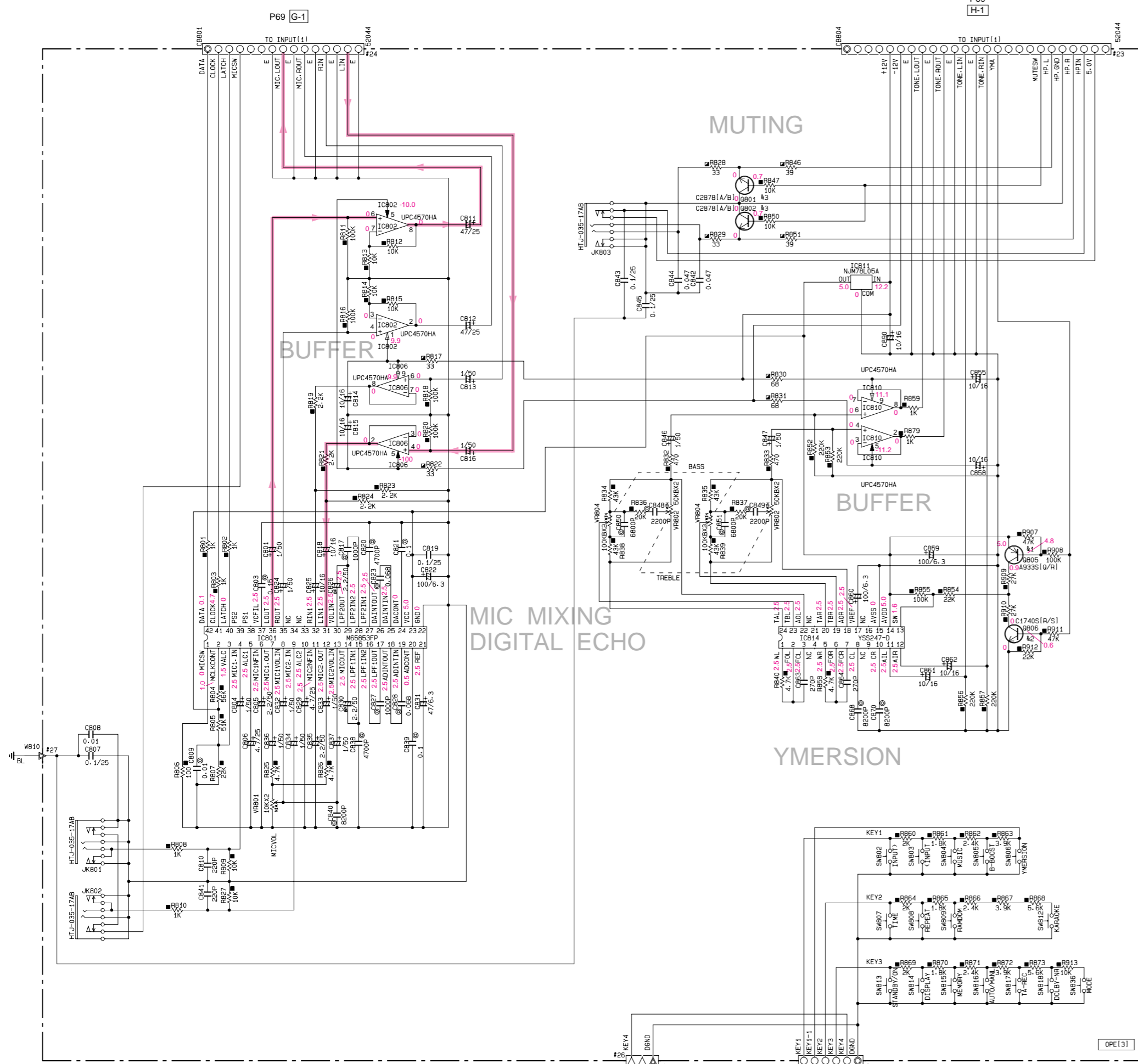
NOTICE (model)
 (J)..... JAPANESE
 (U)..... U.S.A
 (C)..... CANADIAN
 (R)..... GENERAL
 (A)..... AUSTRALIAN
 (B)..... BRITISH
 (G)..... EUROPEAN
 (T)..... CHINA
 (L)..... SINGAPORE

IC815 : M66004MASP
FL Driver



* All voltage are measured with a 10MΩ/V DC electric volt meter.
 * Components having special characteristics are marked Δ and must be replaced with parts having specifications equal to those originally installed.
 * Schematic diagram is subject to change without notice.

■ SCHEMATIC DIAGRAM (GX-700VCD OPERATION)



Interchangeable Parts at Manufacture-Stage

Mark	Reference Parts Number	Parts Name
k1	0805	2S49335(G/R)
		2S41115(E/F)
		2S41309A(I/R/S)
k2	0803.804.806	2SC1740S(R/S)
		2SC2603(E/F)
		2SC331A(I/R/S)
k3	0801.802	2SC2878(A/B)
		2SD1915F(S/T)

RESISTOR

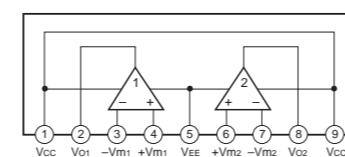
REMARKS	PARTS NAME
NO MARK	CARBON FILM RESISTOR (P=5)
□	CARBON FILM RESISTOR (P=10)
△	METAL OXIDE FILM RESISTOR
▲	METAL FILM RESISTOR
⊠	METAL PLATE RESISTOR
■	FIRE PROOF CARBON FILM RESISTOR
□	CEMENT MOLDED RESISTOR
⊞	SEMI VARIABLE RESISTOR
■	CHIP RESISTOR

CAPACITOR

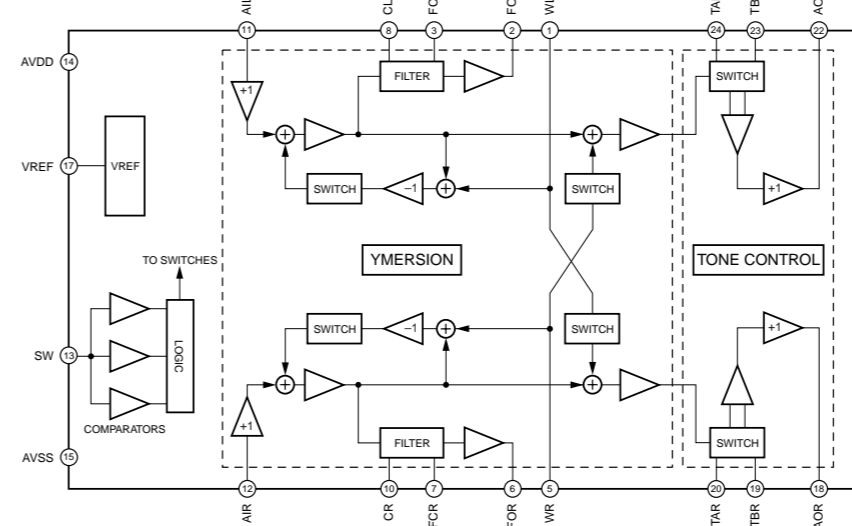
REMARKS	PARTS NAME
NO MARK	ELECTROLYTIC CAPACITOR
⊗	TANTALUM CAPACITOR
NO MARK	CERAMIC CAPACITOR
⊙	CERAMIC TUBULAR CAPACITOR
⊖	POLYESTER FILM CAPACITOR
⊕	POLYSTYRENE FILM CAPACITOR
⊖	MICA CAPACITOR
⊕	POLYPROPYLENE FILM CAPACITOR
⊙	SEMICONDUCTIVE CERAMIC CAPACITOR

NOTICE (mode1)
 (J)..... JAPANESE
 (U)..... U. S. A.
 (C)..... CANADIAN
 (A)..... GENERAL
 (R)..... AUSTRALIAN
 (B)..... BRITISH
 (T)..... EUROPEAN
 (T)..... CHINA
 (L)..... SINGAPORE

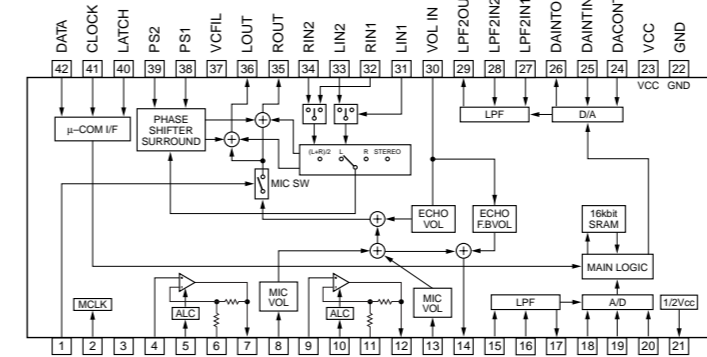
IC802, 806, 810 : μPC4570HA
Dual OP-Amp



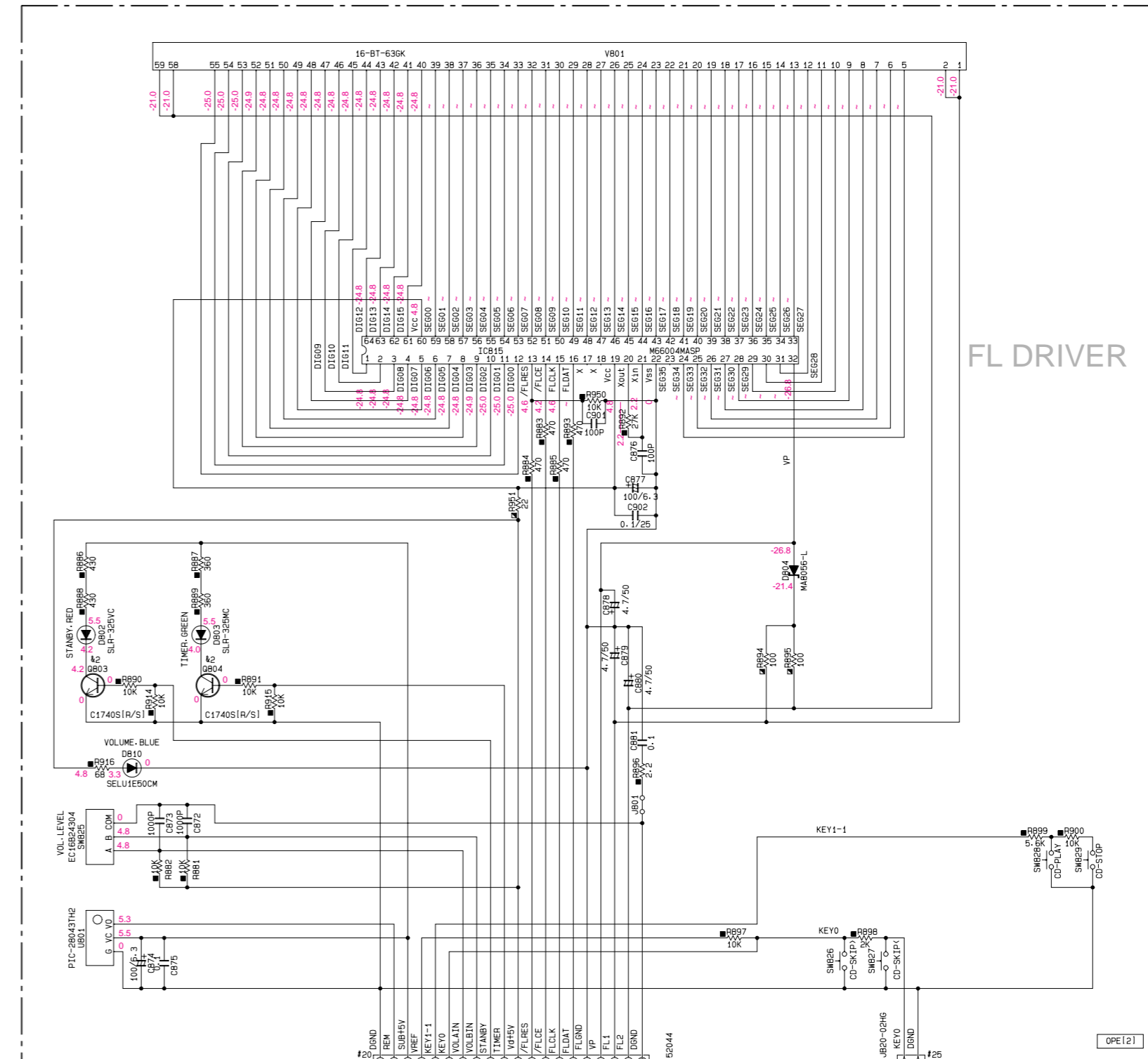
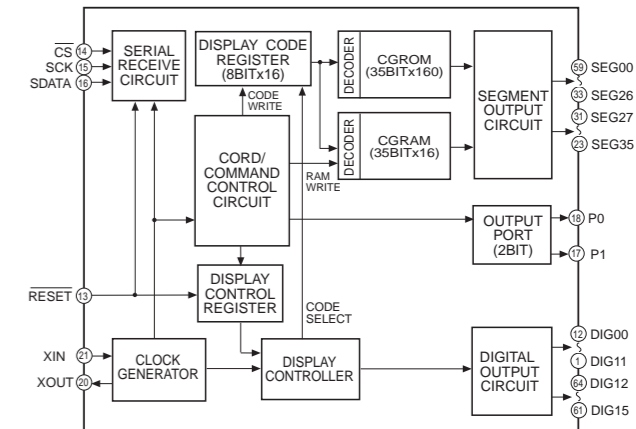
IC814 : YSS247-D
YMERSON



IC801 : M65853FP
Mic Amp with Digital Echo



IC815 : M66004MASP
FL Driver

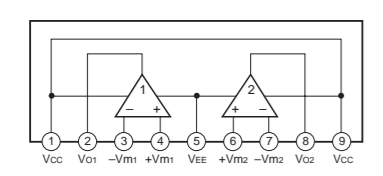


FL DRIVER

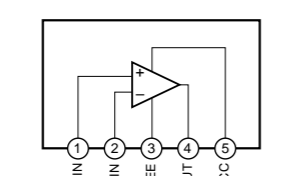
* All voltage are measured with a 10MΩ/V DC electric volt meter.
 * Components having special characteristics are marked △ and must be replaced with parts having specifications equal to those originally installed.
 * Schematic diagram is subject to change without notice.

SCHEMATIC DIAGRAM (GX-700/GX-700VCD EFFECT)

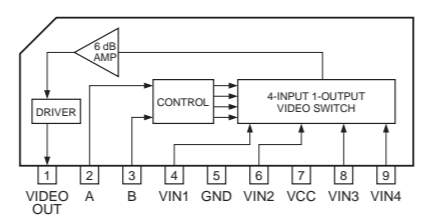
IC7 - 9 : μPC4570HA Dual OP-Amp



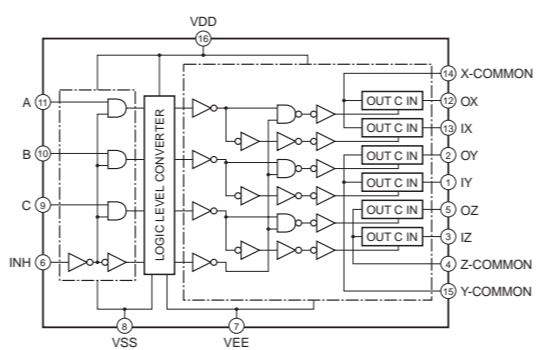
IC11 : LM1875T Power Amp



IC1 : LA7956 Video Amp

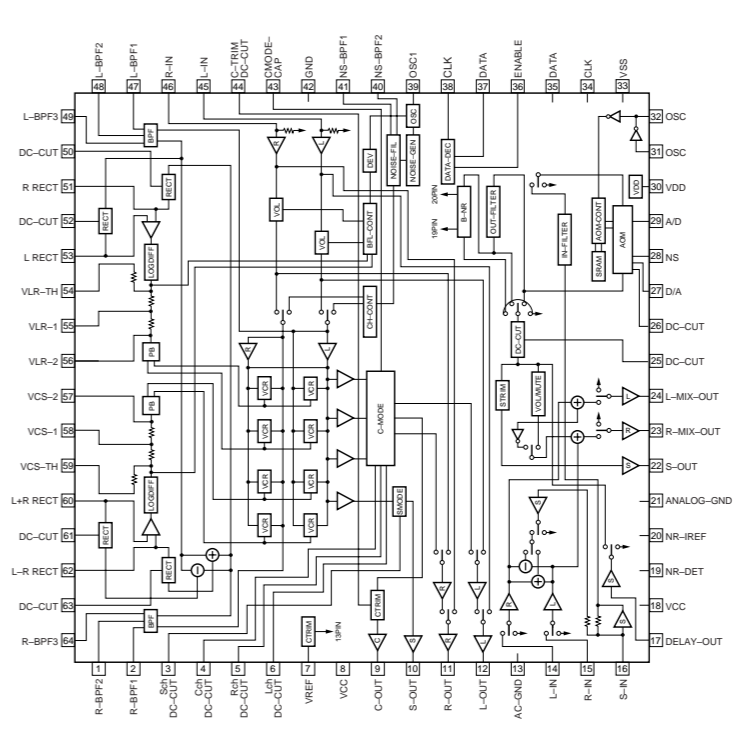


IC2 : HD14053BP Triple 2 Channel Analog Multiplexers/Demultiplexers

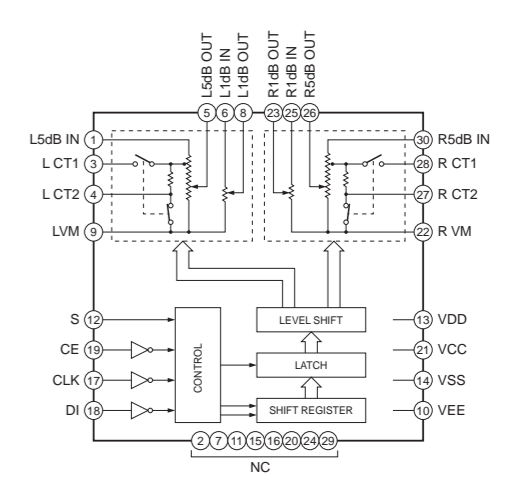


CONTROL SIGNALS table with columns: SIGNAL, C, A, B, D, E, F, G, H, I, J, K, L, M, N, O, P, Q, R, S, T, U, V, W, X, Y, Z, COMMON.

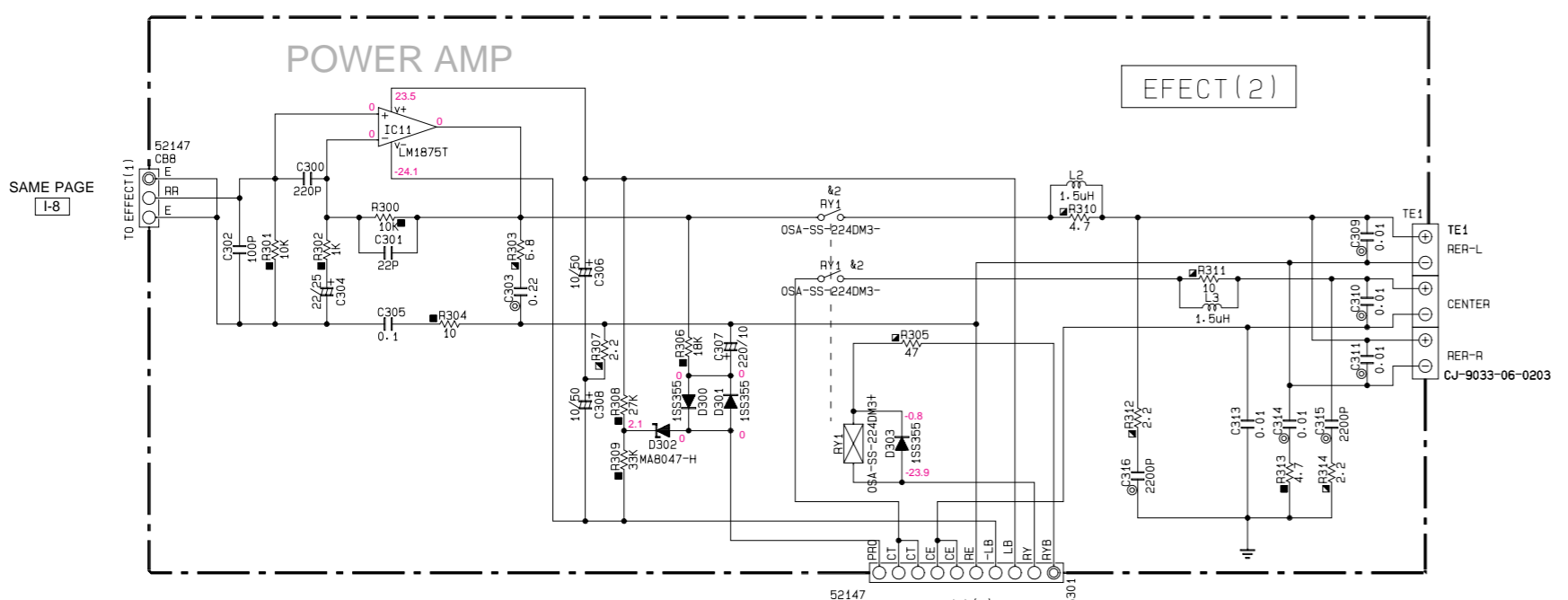
IC5 : LV1035M Dolby ProLogic Decoder



IC10 : LC7536-Y Electric Controlled Volume



NOTICE (model) (J)..... JAPANESE (U)..... U.S.A (C)..... CANADIAN (R)..... GENERAL (A)..... AUSTRALIAN (B)..... BRITISH (G)..... EUROPEAN (T)..... CHINA (L)..... SINGAPORE



Point ⑧ (Pin32 of IC5) V : 2V/div H : 0.1 μsec/div DC range 1 : 1 probe

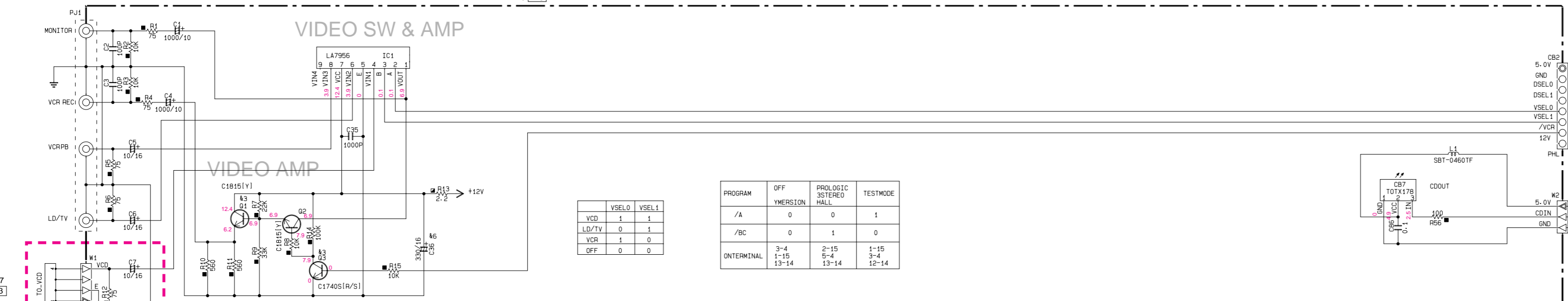
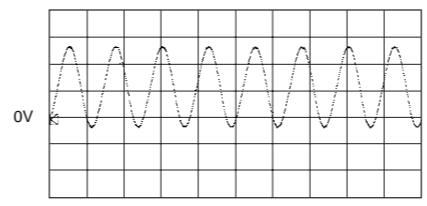
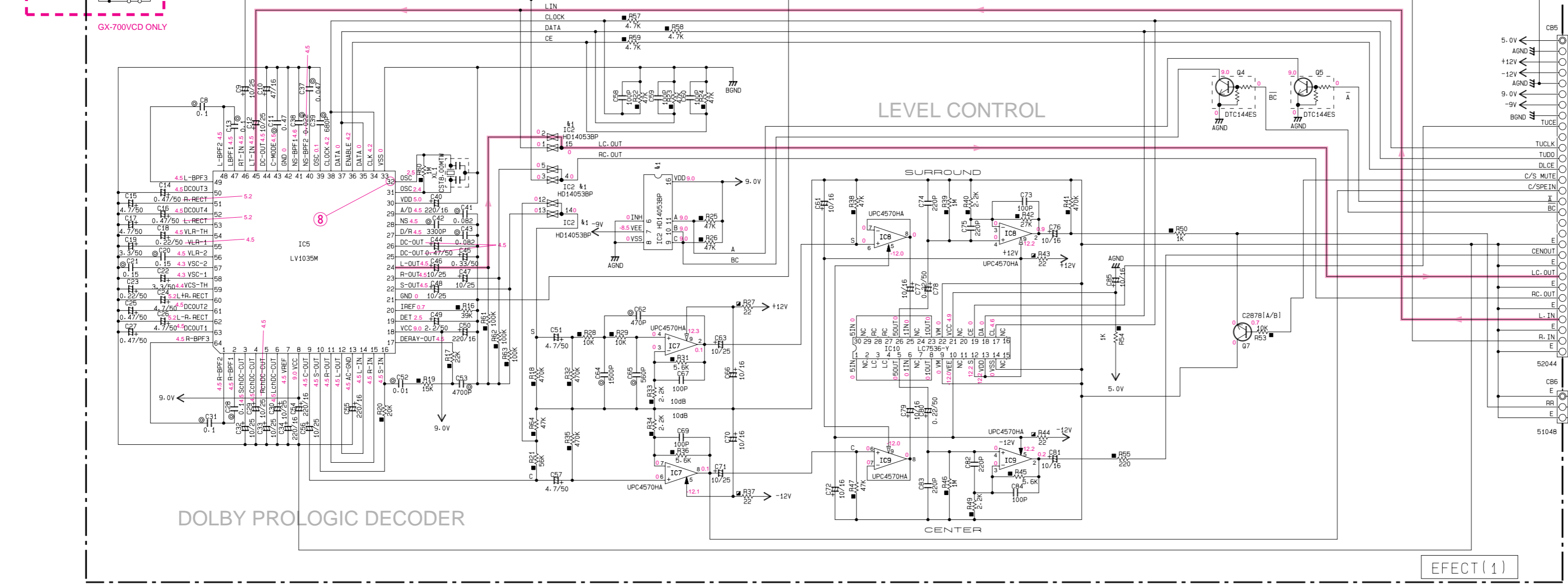


Table with columns: VSEL0, VSEL1, PROGRAM, OFF, YMERSON, PROLOGIC STEREO HALL, TESTMODE.

Table with columns: PROGRAM, OFF, YMERSON, PROLOGIC STEREO HALL, TESTMODE.

RESISTOR table with columns: REMARKS, PARTS NAME, NO MARK, CARBON FILM RESISTOR [P=5], CARBON FILM RESISTOR [P=10], METAL OXIDE FILM RESISTOR, METAL FILM RESISTOR, METAL PLATE RESISTOR, FIRE PROOF CARBON FILM RESISTOR, CEMENT MOLDED RESISTOR, SEMI VARIABLE RESISTOR, CHIP RESISTOR.

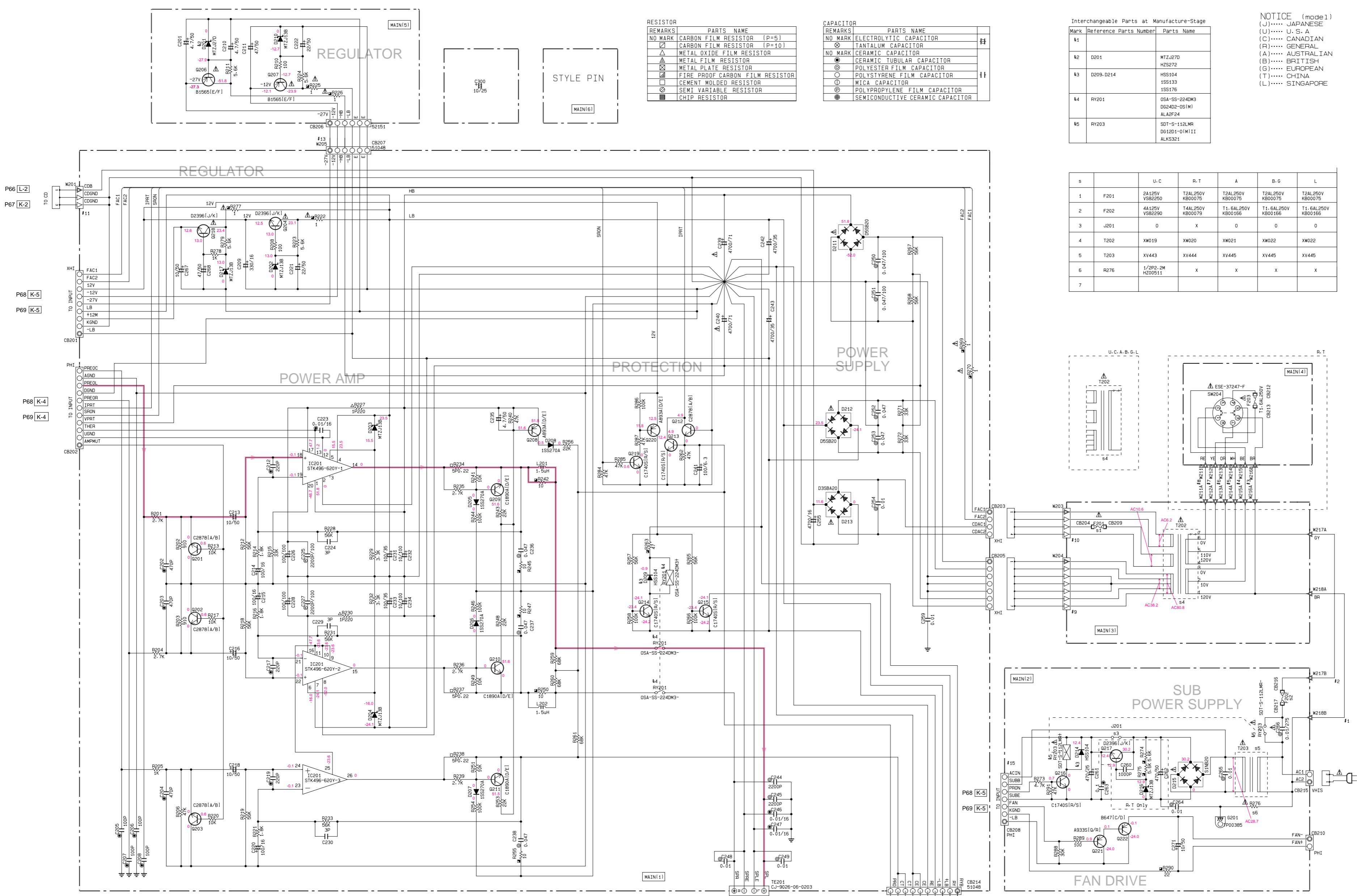
CAPACITOR table with columns: REMARKS, PARTS NAME, NO MARK, ELECTROLYTIC CAPACITOR, TANTALUM CAPACITOR, CERAMIC CAPACITOR, CERAMIC TUBULAR CAPACITOR, POLYESTER FILM CAPACITOR, POLYSTYRENE FILM CAPACITOR, MICA CAPACITOR, POLYPROPYLENE FILM CAPACITOR, SEMICONDUCTIVE CERAMIC CAPACITOR, POLYPHENYLENE SULFIDE FILM CAPACITOR.



Interchangeable Parts at Manufacture-Stage table with columns: Mark, Reference Parts Number, Parts Name.

* All voltage are measured with a 10MΩ/V DC electric volt meter. * Components having special characteristics are marked Δ and must be replaced with parts having specifications equal to those originally installed. * Schematic diagram is subject to change without notice.

SCHEMATIC DIAGRAM (GX-700/GX-700VCD MAIN)



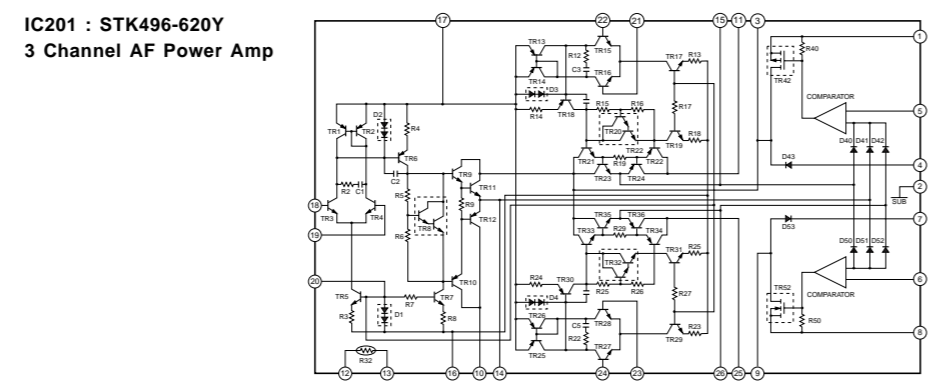
REMARKS	PARTS NAME
NO MARK	CARBON FILM RESISTOR (P=5)
▢	CARBON FILM RESISTOR (P=10)
▴	METAL OXIDE FILM RESISTOR
▾	METAL FILM RESISTOR
▣	METAL PLATE RESISTOR
▤	FIRE PROOF CARBON FILM RESISTOR
▥	CEMENT MOLDED RESISTOR
▦	SEMI VARIABLE RESISTOR
▧	CHIP RESISTOR

REMARKS	PARTS NAME
NO MARK	ELECTROLYTIC CAPACITOR
○	TANTALUM CAPACITOR
NO MARK	CERAMIC CAPACITOR
⊗	CERAMIC TUBULAR CAPACITOR
⊙	POLYESTER FILM CAPACITOR
○	POLYSTYRENE FILM CAPACITOR
⊕	MICA CAPACITOR
⊖	POLYPROPYLENE FILM CAPACITOR
⊗	SEMICONDUCTIVE CERAMIC CAPACITOR

Interchangeable Parts at Manufacture-Stage		
Mark	Reference Parts Number	Parts Name
K1		
K2	D201	MTZJ27D H2S272
K3	D209,D214	H5S104 1S8133 1S5176
K4	RY201	05A-SS-224DM3 D624D2-051M1 AL42F24
K5	RY203	S07-S-112LMR D61201-01M111 ALKS21

NOTICE (mode1)
 (J)..... JAPANESE
 (U)..... U.S.A.
 (C)..... CANADIAN
 (R)..... GENERAL
 (A)..... AUSTRALIAN
 (B)..... BRITISH
 (G)..... EUROPEAN
 (T)..... CHINA
 (L)..... SINGAPORE

s		U.C	R.T	A	B.G	L
1	F201	2A125V VS82250	T2AL250V KB00075	T2AL250V KB00075	T2AL250V KB00075	T2AL250V KB00075
2	F202	4A125V VS82290	T4AL250V KB00079	T1.6AL250V KB00166	T1.6AL250V KB00166	T1.6AL250V KB00166
3	J201	0	X	0	0	0
4	T202	XW019	XW020	XW021	XW022	XW022
5	T203	XV443	XV444	XV445	XV445	XV445
6	R276	1/2P2.2M H200511	X	X	X	X
7						



IC201 : STK496-620Y
 3 Channel AF Power Amp

* All voltage are measured with a 10MΩ/V DC electric volt meter.
 * Components having special characteristics are marked ▴ and must be replaced with parts having specifications equal to those originally installed.
 * Schematic diagram is subject to change without notice.

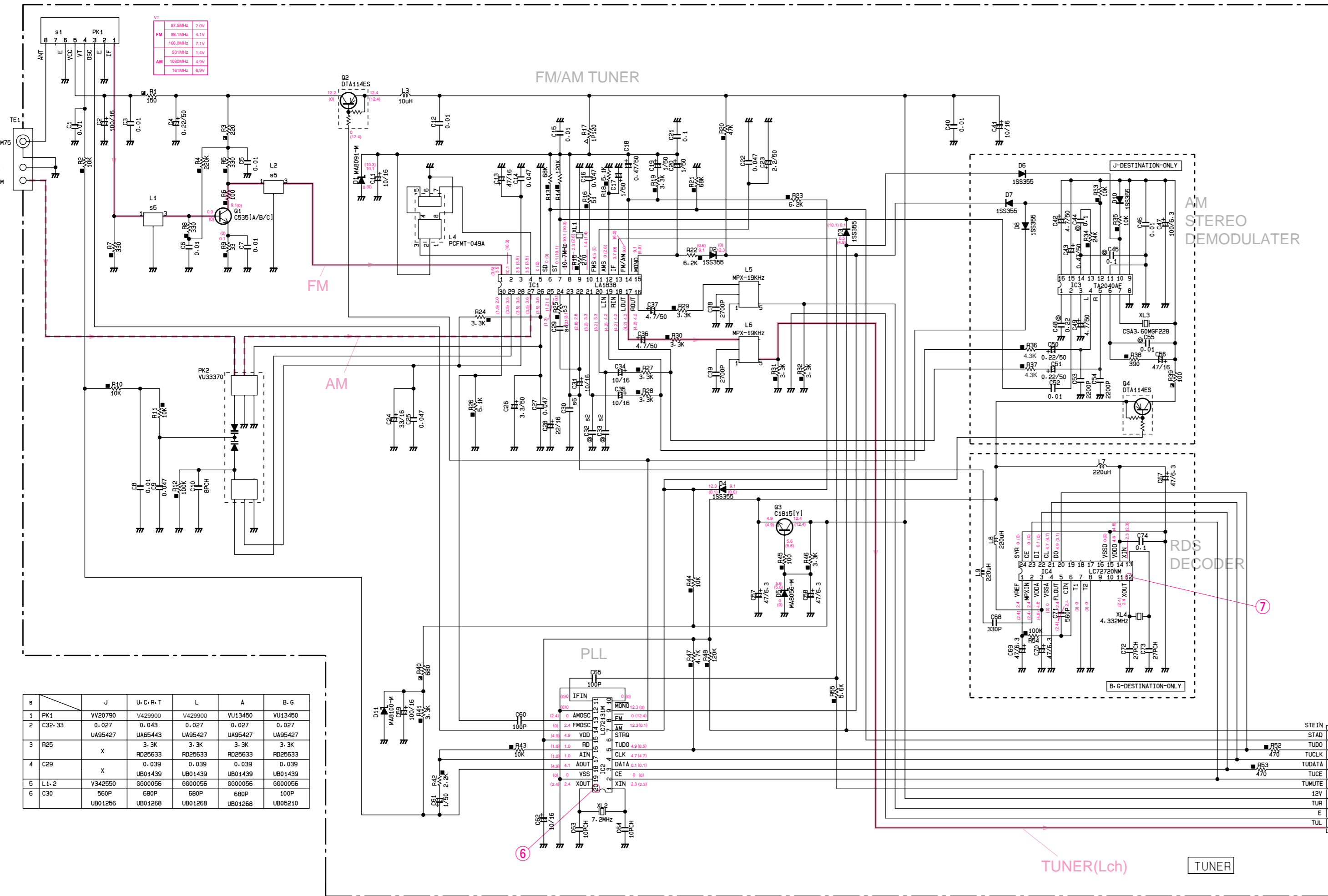
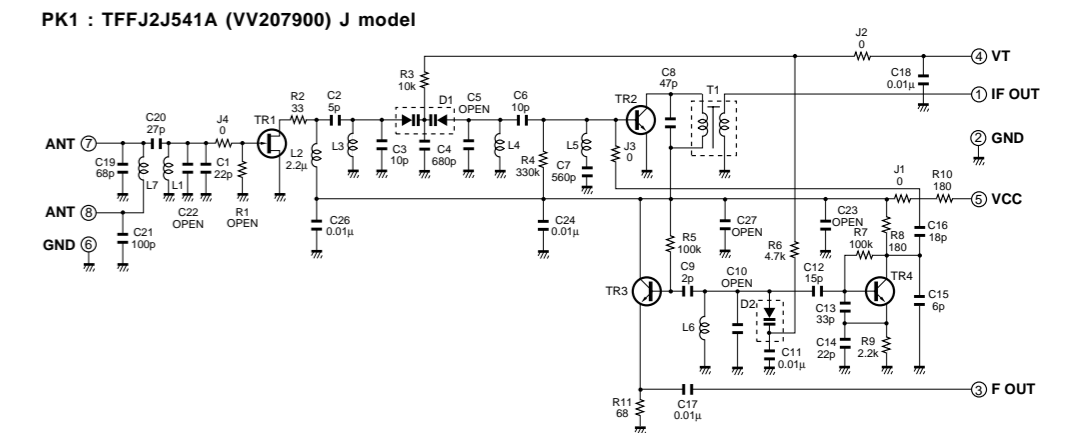
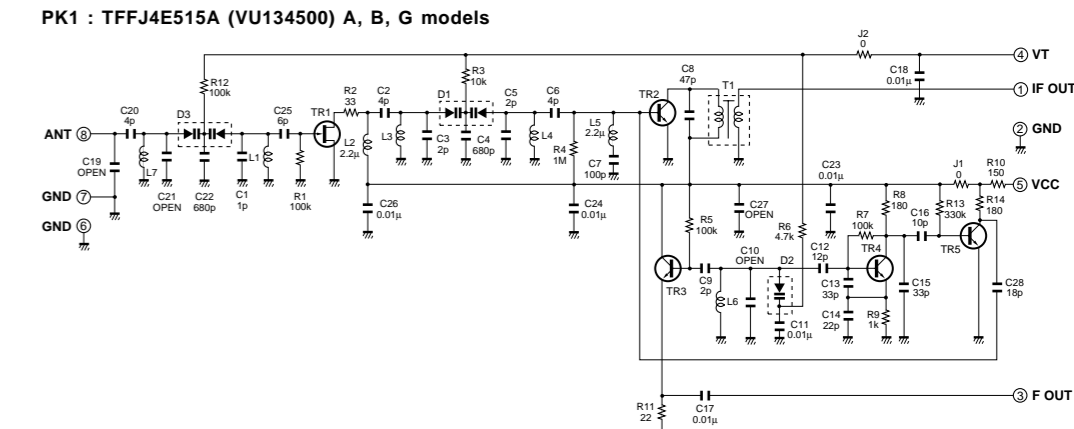
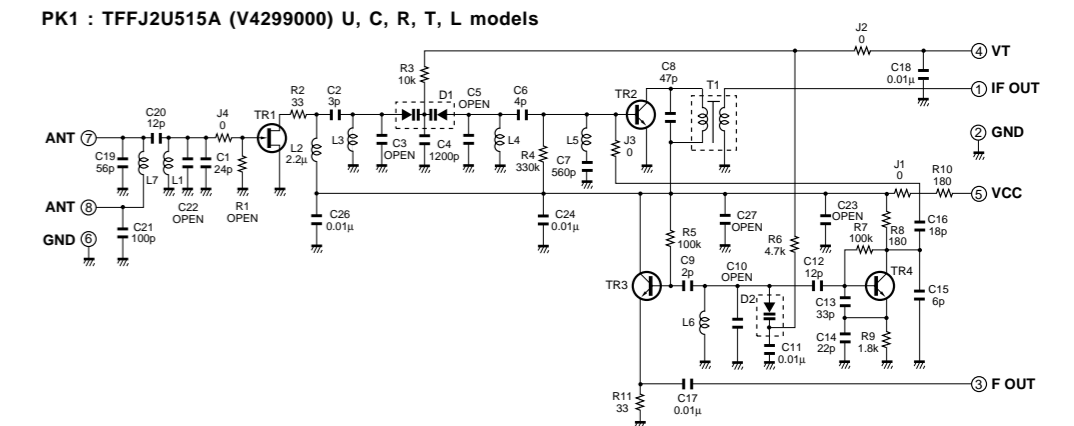
SCHEMATIC DIAGRAM (GX-700/GX-700VCD TUNER)

Each voltage represents the voltage when receiving FM (stereo) signal and the voltage in the parentheses () is the voltage when receiving AM signal.

PK1 : TFFJ2U515A (V429900) U, C, R, T, L models

PK1 : TFFJ4E515A (VU134500) A, B, G models

PK1 : TFFJ2J541A (VV207900) J model



S	J	U-C-R-T	L	A	B-G
1	PK1	VV20790	V429900	VU13450	VU13450
2	C32-33	0.027	0.043	0.027	0.027
		UA95427	UA65443	UA95427	UA95427
3	R25	X	3.3K	3.3K	3.3K
			RD25633	RD25633	RD25633
4	C29	X	0.039	0.039	0.039
			UB01439	UB01439	UB01439
5	L1-2	Y342550	6600056	6600056	6600056
			680P	680P	100P
6	C30	UB01256	UB01268	UB01268	UB05210

RESISTOR

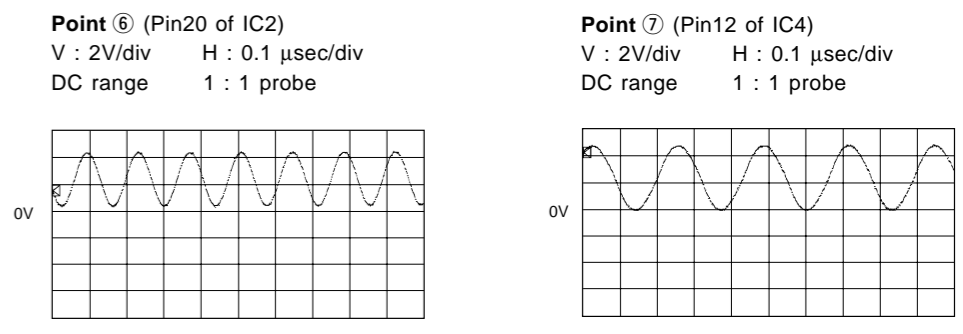
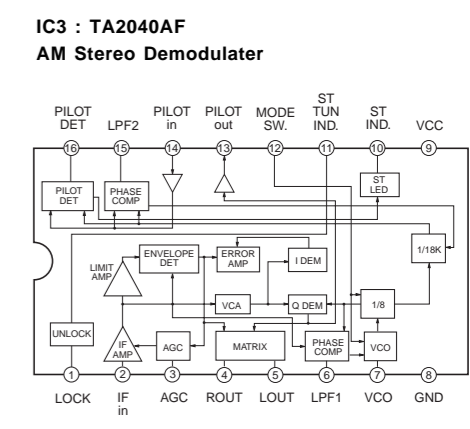
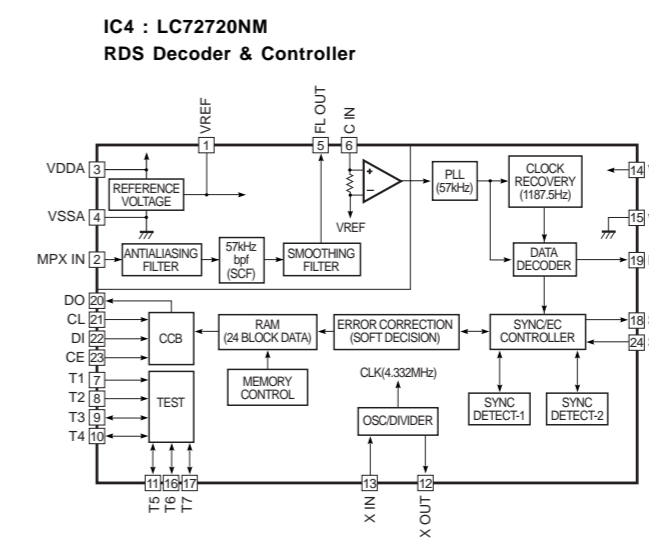
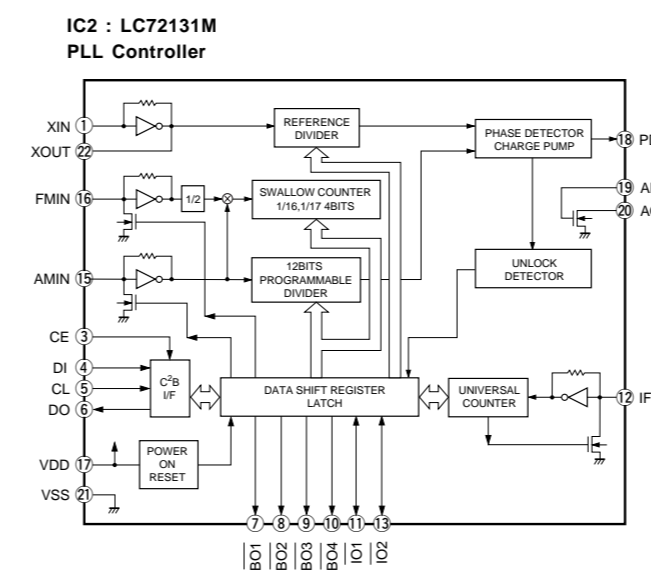
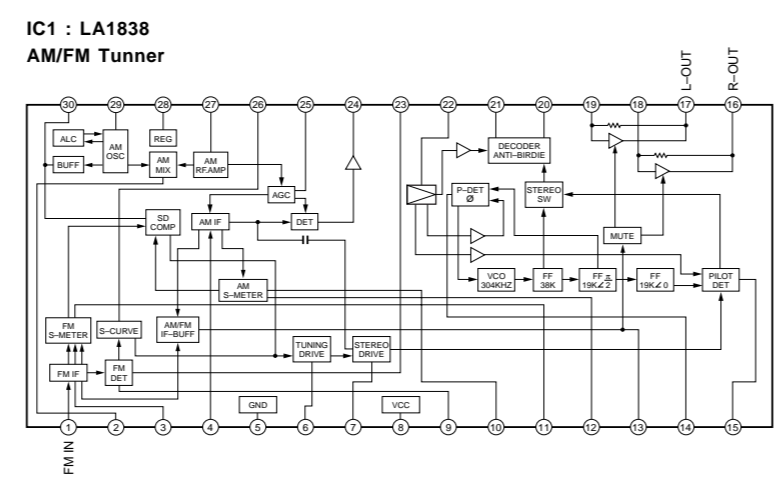
REMARKS	PARTS NAME
NO MARK	CARBON FILM RESISTOR (P=5)
△	CARBON FILM RESISTOR (P=10)
□	METAL OXIDE FILM RESISTOR
⊠	METAL FILM RESISTOR
⊞	METAL PLATE RESISTOR
▨	FIRE PROOF CARBON FILM RESISTOR
▩	CEMENT MOLDED RESISTOR
⊚	SEMI VARIABLE RESISTOR
■	CHIP RESISTOR

CAPACITOR

REMARKS	PARTS NAME
NO MARK	ELECTROLYTIC CAPACITOR
⊗	TANTALUM CAPACITOR
NO MARK	CERAMIC CAPACITOR
⊙	CERAMIC TUBULAR CAPACITOR
⊚	POLYESTER FILM CAPACITOR
○	POLYSTYRENE FILM CAPACITOR
⊖	MICA CAPACITOR
⊕	POLYPROPYLENE FILM CAPACITOR
⊙	SEMICONDUCTIVE CERAMIC CAPACITOR

NOTICE (model)

(J)..... JAPANESE
 (U)..... U. S. A
 (C)..... CANADIAN
 (F)..... GENERAL
 (A)..... AUSTRALIAN
 (B)..... BRITISH
 (G)..... EUROPEAN
 (T)..... CHINA
 (L)..... SINGAPORE



* All voltage are measured with a 10MΩ/V DC electric volt meter.
 * Components having special characteristics are marked △ and must be replaced with parts having specifications equal to those originally installed.
 * Schematic diagram is subject to change without notice.

PARTS LIST

■ ELECTRICAL PARTS

■ WARNING

Components having special characteristics are marked \triangle and must be replaced with parts having specifications equal to those originally installed.

- Carbon resistors (1/6W or 1/4W) are not included in the ELECTRICAL PARTS List. For the part Nos. of the carbon resistors refer to the last page.

- Chip resistors are listed on page 95.

ABBREVIATIONS IN THIS LIST ARE AS FOLLOWS :

C.A.EL.CHP	: CHIP ALUMI. ELECTROLYTIC CAP	L.EMIT	: LIGHT EMITTING MODULE
C.CE	: CERAMIC CAP	LED.DSPLY	: LED DISPLAY
C.CE.ARRAY	: CERAMIC CAP ARRAY	LED.INFRD	: LED, INFRARED
C.CE.CHP	: CHIP CERAMIC CAP	MODUL.RF	: MODULATOR, RF
C.CE.ML	: MULTILAYER CERAMIC CAP	PHOT.CPL	: PHOTO COUPLER
C.CE.M.CHP	: CHIP MULTILAYER CERAMIC CAP	PHOT.INTR	: PHOTO INTERRUPTER
C.CE.SAFTY	: RECOGNIZED CERAMIC CAP	PHOT.RFLCT	: PHOTO REFLECTOR
C.CE.TUBLR	: CERAMIC TUBULAR CAP	PIN.TEST	: PIN, TEST POINT
C.CE.SMI	: SEMI CONDUCTIVE CERAMIC CAP	PLST.RIVET	: PLASTIC RIVET
C.EL	: ELECTROLYTIC CAP	R.ARRAY	: RESISTOR ARRAY
C.MICA	: MICA CAP	R.CAR	: CARBON RESISTOR
C.ML.FLM	: MULTILAYER FILM CAP	R.CAR.CHP	: CHIP RESISTOR
C.MP	: METALLIZED PAPER CAP	R.CAR.FP	: FLAME PROOF CARBON RESISTOR
C.MYLAR	: MYLAR FILM CAP	R.FUS	: FUSABLE RESISTOR
C.MYLAR.ML	: MULTILAYER MYLAR FILM CAP	R.MTL.CHP	: CHIP METAL FILM RESISTOR
C.PAPER	: PAPER CAPACITOR	R.MTL.FLM	: METAL FILM RESISTOR
C.PLS	: POLYSTYRENE FILM CAP	R.MTL.OXD	: METAL OXIDE FILM RESISTOR
C.POL	: POLYESTER FILM CAP	R.MTL.PLAT	: METAL PLATE RESISTOR
C.POLY	: POLYETHYLENE FILM CAP	RSNR.CE	: CERAMIC RESONATOR
C.PP	: POLYPROPYLENE FILM CAP	RSNR.CRYS	: CRYSTAL RESONATOR
C.TNTL	: TANTALUM CAP	R.TW.CEM	: TWIN CEMENT FIXED RESISTOR
C.TNTL.CHP	: CHIP TANTALUM CAP	R.WW	: WIRE WOUND RESISTOR
C.TRIM	: TRIMMER CAP	SCR.BND.HD	: BIND HEAD B-TITE SCREW
CN	: CONNECTOR	SCR.BW.HD	: BW HEAD TAPPING SCREW
CN.BS.PIN	: CONNECTOR, BASE PIN	SCR.CUP	: CUP TITE SCREW
CN.CANNON	: CONNECTOR, CANNON	SCR.TERM	: SCREW TERMINAL
CN.DIN	: CONNECTOR, DIN	SCR.TR	: SCREW, TRANSISTOR
CN.FLAT	: CONNECTOR, FLAT CABLE	SUPRT.PCB	: SUPPORT, P.C.B.
CN.POST	: CONNECTOR, BASE POST	SURG.PRTCT	: SURGE PROTECTOR
COIL.MX.AM	: COIL, AM MIX	SW.TACT	: TACT SWITCH
COIL.AT.FM	: COIL, FM ANTENNA	SW.LEAF	: LEAF SWITCH
COIL.DT.FM	: COIL, FM DETECT	SW.LEVER	: LEVER SWITCH
COIL.MX.FM	: COIL, FM MIX	SW.MICRO	: MICRO SWITCH
COIL.OUTPT	: OUTPUT COIL	SW.PUSH	: PUSH SWITCH
DIOD.ARRAY	: DIODE ARRAY	SW.RT.ENC	: ROTARY ENCODER
DIODE.BRG	: DIODE BRIDGE	SW.RT.MTR	: ROTARY SWITCH WITH MOTOR
DIODE.CHP	: CHIP DIODE	SW.RT	: ROTARY SWITCH
DIODE.VAR	: VARACTOR DIODE	SW.SLIDE	: SLIDE SWITCH
DIOD.Z.CHP	: CHIP ZENER DIODE	TERM.SP	: SPEAKER TERMINAL
DIODE.ZENR	: ZENER DIODE	TERM.WRAP	: WRAPPING TERMINAL
DSCR.CE	: CERAMIC DISCRIMINATOR	THRMST.CHP	: CHIP THERMISTOR
FER.BEAD	: FERRITE BEADS	TR.CHP	: CHIP TRANSISTOR
FER.CORE	: FERRITE CORE	TR.DGT	: DIGITAL TRANSISTOR
FET.CHP	: CHIP FET	TR.DGT.CHP	: CHIP DIGITAL TRANSISTOR
FL.DSPLY	: FLUORESCENT DISPLAY	TRANS	: TRANSFORMER
FLTR.CE	: CERAMIC FILTER	TRANS.PULS	: PULSE TRANSFORMER
FLTR.COMB	: COMB FILTER MODULE	TRANS.PWR	: POWER TRANSFORMER ASS'y
FLTR.LC.RF	: LC FILTER, EMI	TUNER.AM	: TUNER PACK, AM
GND.MTL	: GROUND PLATE	TUNER.FM	: TUNER PACK, FM
GND.TERM	: GROUND TERMINAL	TUNER.PK	: FRONT-END TUNER PACK
HOLDER.FUS	: FUSE HOLDER	VR	: ROTARY POTENTIOMETER
IC.PRTCT	: IC PROTECTOR	VR.MTR	: POTENTIOMETER WITH MOTOR
JUMPER.CN	: JUMPER CONNECTOR	VR.SW	: POTENTIOMETER WITH ROTARY SW
JUMPER.TST	: JUMPER, TEST POINT	VR.SLIDE	: SLIDE POTENTIOMETER
L.DTCT	: LIGHT DETECTING MODULE	VR.TRIM	: TRIMMER POTENTIOMETER

Note) Those parts marked with “#” are not included in the P.C.B. ass'y.

GX-700 P.C.B. CD

Schm Ref.	PART NO.	Description		
*	V4003600	P.C.B.	CD	
CB1	V2731000	CN.FMN	16P	
CB2	VU929500	CN.BS.PIN	6P	
CB3	VU534900	CN.BS.PIN	6P	
CB4	VB390200	CN.BS.PIN	6P	
CB5	VB389900	CN.BS.PIN	3P	
CB7	VB858200	CN.BS.PIN	3P	
CB8	LB919030	CN.BS.PIN	3P	
CB9	VM929900	CN.BS.PIN	15P	
C1	UN866100	C.EL	1uF	50V
C2	UN866100	C.EL	1uF	50V
C3	UR818100	C.EL	100uF	6.3V
C4	UR818470	C.EL	470uF	6.3V
C5	UB045100	C.CE.M.CHP	0.1uF	50V
C6	UB045100	C.CE.M.CHP	0.1uF	50V
C7	UB044100	C.CE.M.CHP	0.01uF	50V
C8	UA952100	C.MYLAR	100pF	50V
C9	UB045100	C.CE.M.CHP	0.1uF	50V
C10	UA655100	C.MYLAR	0.1uF	50V
C11	UR837470	C.EL	47uF	16V
C12	UR866100	C.EL	1uF	50V
C13	UB013100	C.CE.M.CHP	1000pF	50V
C14	UB044100	C.CE.M.CHP	0.01uF	50V
C15	UR818100	C.EL	100uF	6.3V
C16	UA655100	C.MYLAR	0.1uF	50V
C17	UR828100	C.EL	100uF	10V
C18	UR838220	C.EL	220uF	16V
C19	UR837100	C.EL	10uF	16V
C20	UA954470	C.MYLAR	0.047uF	50V
C21	UA953180	C.MYLAR	1800pF	50V
C22	UA953220	C.MYLAR	2200pF	50V
C23	UA655100	C.MYLAR	0.1uF	50V
C24	UA953470	C.MYLAR	4700pF	50V
C25	UA953220	C.MYLAR	2200pF	50V
C26	UA953220	C.MYLAR	2200pF	50V
C27	UA655270	C.MYLAR	0.27uF	50V
C29	UR818100	C.EL	100uF	6.3V
C31	UB012560	C.CE.M.CHP	560pF	50V
C32	UB045100	C.CE.M.CHP	0.1uF	50V
C33	UA655330	C.MYLAR	0.33uF	50V
C34	UA654240	C.MYLAR	0.024uF	50V
C35	UB044100	C.CE.M.CHP	0.01uF	50V
C36	VJ900300	C.CE.M.CHP	22pF	50V
C37	VJ900300	C.CE.M.CHP	22pF	50V
C38	UR818100	C.EL	100uF	6.3V
C39	UR818470	C.EL	470uF	6.3V
C40	UB044100	C.CE.M.CHP	0.01uF	50V
C41	UB044100	C.CE.M.CHP	0.01uF	50V
C42	UB044100	C.CE.M.CHP	0.01uF	50V
C44	UB044100	C.CE.M.CHP	0.01uF	50V
C45	UB044100	C.CE.M.CHP	0.01uF	50V
C46	UR818100	C.EL	100uF	6.3V
C47	UA653100	C.MYLAR	1000pF	50V

* New Parts

Schm Ref.	PART NO.	Description		
C48	UR818100	C.EL	100uF	6.3V
C50	UB044100	C.CE.M.CHP	0.01uF	50V
C51	UR866100	C.EL	1uF	50V
C52	UA954100	C.MYLAR	0.01uF	50V
C53	UA954100	C.MYLAR	0.01uF	50V
C54	UR866100	C.EL	1uF	50V
C55	UA655330	C.MYLAR	0.33uF	50V
C56	UB044100	C.CE.M.CHP	0.01uF	50V
C57	UB044100	C.CE.M.CHP	0.01uF	50V
C58	UB044100	C.CE.M.CHP	0.01uF	50V
C59	UA953680	C.MYLAR	6800pF	50V
C60	UA953220	C.MYLAR	2200pF	50V
C61	UA953220	C.MYLAR	2200pF	50V
C62	UA953680	C.MYLAR	6800pF	50V
C63	UR828100	C.EL	100uF	10V
C64	UR837100	C.EL	10uF	16V
C65	UR818100	C.EL	100uF	6.3V
C66	UR837220	C.EL	22uF	25V
C67	UR837220	C.EL	22uF	25V
C68	UR837220	C.EL	22uF	25V
C69	UR837220	C.EL	22uF	25V
C71	UA953150	C.MYLAR	1500pF	50V
C72	UA953150	C.MYLAR	1500pF	50V
C86	UB051100	C.CE.M.CHP	10pF	50V
C87	VR498100	C.EL	6.8uF	6.3V
C89	UB012470	C.CE.M.CHP	470pF	50V
C90	UB044100	C.CE.M.CHP	0.01uF	50V
C91	UB045100	C.CE.M.CHP	0.1uF	50V
C100	UB045100	C.CE.M.CHP	0.1uF	50V
C101	UB045100	C.CE.M.CHP	0.1uF	50V
C102	UB045100	C.CE.M.CHP	0.1uF	50V
D1	VT332900	DIODE	1SS355	
D2	VU993400	DIODE.ZENR	MA8062-M	6.2V
D3	VT332900	DIODE	1SS355	
D4	VT332900	DIODE	1SS355	
D5	VT332900	DIODE	1SS355	
D6	VT332900	DIODE	1SS355	
D7	VU993800	DIODE.ZENR	MA8068-M	6.8V
G1	VR463400	TERM.GND	D3.5	TP00385
G2	VR463400	TERM.GND	D3.5	TP00385
HS1	Vi835500	HEAT.SINK	PH-0124S-B	
HS2	VA119100	HEAT.SINK		
IC1	XV986A00	IC	LA6541D	DRIVER
IC2	XS741A00	IC	AN8806SB	
IC3	XR274A00	IC	TA8409SE	
IC4	XR274A00	IC	TA8409SE	
IC5	XT342A00	IC	MN662741RBP1	
IC7	XQ248A00	IC	TC74HC125AF	BUS BU
IC10	XF291A00	IC	uPC4570G2	
IC11	XW063A00	IC	M38197MAA-624FP	CP
IC12	XQ667A00	IC	M5237L	
IC13	XS993A00	IC	TC74HC04AF	INV
L1	VU889500	COIL	220uH	

* New Parts

GX-700 P.C.B. CD & INPUT

Schm Ref.	PART NO.	Description		
L2	VU889500	COIL	220uH	
Q1	VR402300	TR	2SB647 C,D	
Q2	VD678700	TR.DGT	DTC114ES	
Q3	iC287820	TR	2SC2878 A,B	
Q4	VD678700	TR.DGT	DTC114ES	
Q5	VD678700	TR.DGT	DTC114ES	
Q6	VS883300	TR	2SB1565 E,F	
Q7	VR510800	TR	2SD2396 J,K	
Q8	VD678700	TR.DGT	DTC114ES	
Q9	iC287820	TR	2SC2878 A,B	
Q10	iC287820	TR	2SC2878 A,B	
Q15	VD678700	TR.DGT	DTC114ES	
Q16	VD678700	TR.DGT	DTC114ES	
Q17	VD678500	TR.DGT	DTA114ES	
R17	HV753220	R.CAR.FP	2.2Ω 1/4W	
R35	VH307000	R.ARRAY	RGLE6X473J	
R56	VH307000	R.ARRAY	RGLE6X473J	
R57	VH307000	R.ARRAY	RGLE6X473J	
R85	VH307000	R.ARRAY	RGLE6X473J	
R86	VH307000	R.ARRAY	RGLE6X473J	
R91	Vi868300	R.FUS	0.68Ω 1/6W	
R97	VH307000	R.ARRAY	RGLE6X473J	
* R145	V3733100	R.MTL.OXD	39Ω 1W	
* R158	V3733100	R.MTL.OXD	39Ω 1W	
TP1	VL448600	JUMPER.TST		
TP2	VL448600	JUMPER.TST		
XL1	VJ719800	RSNR.CRYS	16.9344MHz	
XL2	VJ802400	RSNR.CE	8MHz	
	VJ828000	PIN	IMSA-6024-03E	
*	V4002300	P.C.B.	INPUT(UC)	
*	V4002400	P.C.B.	INPUT(R)	
*	V4002500	P.C.B.	INPUT(A)	
*	V4002600	P.C.B.	INPUT(BG)	
CB5	VQ963200	CN.BS.PIN	11P	
CB6	VM859600	CN.BS.PIN	15P	
CB9	VP327200	CN	30P	
CB10	VQ047500	CN.BS.PIN	20P	
CB13	VP082900	CN.BS.PIN	25P	
C1	UB044100	C.CE.M.CHP	0.01uF 50V	
C2	UB044220	C.CE.M.CHP	0.022uF 50V	
C3	UR818100	C.EL	100uF 6.3V	
C4	UA952680	C.MYLAR	680pF 50V	
C5	UB012560	C.CE.M.CHP	560pF 50V	
C6	UB012560	C.CE.M.CHP	560pF 50V	
C7	UB012220	C.CE.M.CHP	220pF 50V	
C8	UB012220	C.CE.M.CHP	220pF 50V	
C9	UB012560	C.CE.M.CHP	560pF 50V	
C10	UB012560	C.CE.M.CHP	560pF 50V	
C11	UB012560	C.CE.M.CHP	560pF 50V	
C12	UB012560	C.CE.M.CHP	560pF 50V	

* New Parts

Schm Ref.	PART NO.	Description		
C13	UB012220	C.CE.M.CHP	220pF 50V	
C14	UB012220	C.CE.M.CHP	220pF 50V	
C15	UR838100	C.EL	100uF 16V	
C16	UB044100	C.CE.M.CHP	0.01uF 50V	
C17	UA952680	C.MYLAR	680pF 50V	
C18	UR837470	C.EL	47uF 16V	
C19	UB044470	C.CE.M.CHP	0.047uF 50V	
C20	UB044100	C.CE.M.CHP	0.01uF 50V	
C21	UR866100	C.EL	1uF 50V	
C22	UR838100	C.EL	100uF 16V	
C23	UR838100	C.EL	100uF 16V	
C24	UR865100	C.EL	0.1uF 50V	
C25	UT652100	C.PP	100pF 100V	
C26	UT652100	C.PP	100pF 100V	
C27	UA953100	C.MYLAR	1000pF 50V	
C28	UT653820	C.PP	8200pF 100V	
C29	UA953470	C.MYLAR	4700pF 50V	
C30	UR837100	C.EL	10uF 16V	
C31	UR847100	C.EL	10uF 25V	
C32	UR837220	C.EL	22uF 25V	
C33	UR866470	C.EL	4.7uF 50V	
C34	UR837220	C.EL	22uF 25V	
C35	UR837220	C.EL	22uF 25V	
C36	UR866330	C.EL	3.3uF 50V	
C37	UA954180	C.MYLAR	0.018uF 50V	
C38	FG612220	C.CE	220pF 50V	
C39	FG612220	C.CE	220pF 50V	
C40	UA954180	C.MYLAR	0.018uF 50V	
C41	UR866100	C.EL	1uF 50V	
C42	UR837470	C.EL	47uF 16V	
C43	UR866470	C.EL	4.7uF 50V	
C44	UR866470	C.EL	4.7uF 50V	
C45	UA655100	C.MYLAR	0.1uF 50V	
C46	UR865470	C.EL	0.47uF 50V	
C47	UR866470	C.EL	4.7uF 50V	
C48	UR866220	C.EL	2.2uF 50V	
C49	UR866220	C.EL	2.2uF 50V	
C50	UR866470	C.EL	4.7uF 50V	
C51	UR866470	C.EL	4.7uF 50V	
C52	UR866470	C.EL	4.7uF 50V	
C53	UR866220	C.EL	2.2uF 50V	
C54	UA953270	C.MYLAR	2700pF 50V	
C55	UR866470	C.EL	4.7uF 50V	
C56	UR865220	C.EL	0.22uF 50V	
C57	UB044100	C.CE.M.CHP	0.01uF 50V	
C58	UR847100	C.EL	10uF 25V	
C59	UB052100	C.CE.M.CHP	100pF 50V	
C60	UB052100	C.CE.M.CHP	100pF 50V	
C61	UA953270	C.MYLAR	2700pF 50V	
C62	UR866470	C.EL	4.7uF 50V	
C63	UR866470	C.EL	4.7uF 50V	
C64	UA655100	C.MYLAR	0.1uF 50V	
C65	UR866220	C.EL	2.2uF 50V	

* New Parts

GX-700 P.C.B. INPUT

Schm Ref.	PART NO.	Description		
C66	UR866220	C.EL	2.2uF	50V
C67	UR866220	C.EL	2.2uF	50V
C68	UR865220	C.EL	0.22uF	50V
C69	UR848100	C.EL	100uF	25V
C70	UR866100	C.EL	1uF	50V
C71	UR837220	C.EL	22uF	25V
C72	UR837100	C.EL	10uF	16V
C73	UR847100	C.EL	10uF	25V
C74	UR847100	C.EL	10uF	25V
C75	UR837220	C.EL	22uF	25V
C76	UR866100	C.EL	1uF	50V
C77	UA655680	C.MYLAR	0.68uF	50V
C78	UA953680	C.MYLAR	6800pF	50V
C79	UA954220	C.MYLAR	0.022uF	50V
C80	UB013220	C.CE.M.CHP	2200pF	50V
C81	UR866100	C.EL	1uF	50V
C82	UA654750	C.MYLAR	0.075uF	50V
C83	UA953220	C.MYLAR	2200pF	50V
C84	UA954680	C.MYLAR	0.068uF	50V
C85	UR847100	C.EL	10uF	25V
C86	UR866100	C.EL	1uF	50V
C87	UR847100	C.EL	10uF	25V
C88	UA953220	C.MYLAR	2200pF	50V
C89	UA654750	C.MYLAR	0.075uF	50V
C90	UA954680	C.MYLAR	0.068uF	50V
C91	UR847100	C.EL	10uF	25V
C92	UB013220	C.CE.M.CHP	2200pF	50V
C93	UR866100	C.EL	1uF	50V
C94	UR847100	C.EL	10uF	25V
C95	UA954220	C.MYLAR	0.022uF	50V
C96	UA655680	C.MYLAR	0.68uF	50V
C97	UA953680	C.MYLAR	6800pF	50V
C98	UR866100	C.EL	1uF	50V
C99	UB052100	C.CE.M.CHP	100pF	50V
C100	UR837100	C.EL	10uF	16V
C101	UB052100	C.CE.M.CHP	100pF	50V
C102	UR837100	C.EL	10uF	16V
C103	VF992600	C.EL	4700uF	5.5V
C104	UB044100	C.CE.M.CHP	0.01uF	50V
C105	UB052100	C.CE.M.CHP	100pF	50V
C106	UB052100	C.CE.M.CHP	100pF	50V
C107	UB245100	C.CE.M.CHP	0.1uF	25V
C108	UB052100	C.CE.M.CHP	100pF	50V
C109	UR866220	C.EL	2.2uF	50V
C110	UB052100	C.CE.M.CHP	100pF	50V
C111	UB052100	C.CE.M.CHP	100pF	50V
C112	UB052100	C.CE.M.CHP	100pF	50V
C113	UB052100	C.CE.M.CHP	100pF	50V
C114	UA654750	C.MYLAR	0.075uF	50V
C115	UR847100	C.EL	10uF	25V
C116	UR866100	C.EL	1uF	50V
C117	UR847100	C.EL	10uF	25V
C118	UR847100	C.EL	10uF	25V

* New Parts

Schm Ref.	PART NO.	Description		
C119	UR866100	C.EL	1uF	50V
C120	UR847100	C.EL	10uF	25V
C121	UA654750	C.MYLAR	0.075uF	50V
C122	UB245100	C.CE.M.CHP	0.1uF	25V
C123	UB245100	C.CE.M.CHP	0.1uF	25V
C124	VJ900300	C.CE.M.CHP	22pF	50V
C125	VJ900300	C.CE.M.CHP	22pF	50V
C126	UB245100	C.CE.M.CHP	0.1uF	25V
C127	UR837100	C.EL	10uF	16V
C128	UR837100	C.EL	10uF	16V
C129	UR837100	C.EL	10uF	16V
C130	UR837100	C.EL	10uF	16V
C131	UR866100	C.EL	1uF	50V
C132	UB051470	C.CE.M.CHP	47pF	50V
C133	UB051470	C.CE.M.CHP	47pF	50V
C134	UN865470	C.EL	0.47uF	50V
C135	UR838100	C.EL	100uF	16V
C136	UR838100	C.EL	100uF	16V
C137	UB051470	C.CE.M.CHP	47pF	50V
C138	UB051470	C.CE.M.CHP	47pF	50V
C139	UR866100	C.EL	1uF	50V
C140	UB245100	C.CE.M.CHP	0.1uF	25V
C141	UB245100	C.CE.M.CHP	0.1uF	25V
C142	UR837100	C.EL	10uF	16V
C143	UR865470	C.EL	0.47uF	50V
C144	UR837100	C.EL	10uF	16V
C145	UR837100	C.EL	10uF	16V
C146	UR837100	C.EL	10uF	16V
C147	UR837220	C.EL	22uF	25V
C148	UB051470	C.CE.M.CHP	47pF	50V
C149	UB051470	C.CE.M.CHP	47pF	50V
C150	UR837220	C.EL	22uF	25V
C151	UR837100	C.EL	10uF	16V
C152	UR837100	C.EL	10uF	16V
C153	UR837100	C.EL	10uF	16V
C154	UR838330	C.EL	330uF	16V
C155	UB012330	C.CE.M.CHP	330pF	50V
C156	UB012330	C.CE.M.CHP	330pF	50V
C157	UR837100	C.EL	10uF	16V
C158	UR837100	C.EL	10uF	16V
C159	UN866100	C.EL	1uF	50V
C160	UB052100	C.CE.M.CHP	100pF	50V
D3	VU992700	DIODE.ZENR	MA8051-H	5.3V
D4	VT332900	DIODE	1SS355	
D5	VT332900	DIODE	1SS355	
D6	VU992900	DIODE.ZENR	MA8056-L	5.4V
D7	VU995100	DIODE.ZENR	MA8091-H	9.4V
D8	VT332900	DIODE	1SS355	
D10	VT332900	DIODE	1SS355	
D11	VV833200	DIODE	1SS380	
D12	VT332900	DIODE	1SS355	
D20	VU995300	DIODE.ZENR	MA8100-L	9.7V
D21	VT332900	DIODE	1SS355	



* New Parts

GX-700 P.C.B. INPUT & MAIN

Schm Ref.	PART NO.	Description	
D22	VU992300	DIODE.ZENR	MA8047-H 4.9V
D23	VU993000	DIODE.ZENR	MA8056-M 5.6V
D24	VU993400	DIODE.ZENR	MA8062-M 6.2V
D25	VU995300	DIODE.ZENR	MA8100-L 9.7V
D26	VV220700	DIODE.SHOT	RB501V-40
HS1	VN126800	HEAT.SINK	U0T-16C25-MP
IC1	XF494A00	IC	LB1641
* IC2	XD864A00	IC	uPC1330HA
* IC3	XG903A00	IC	TC4052BF MPX
* IC4	XG903A00	IC	TC4052BF MPX
IC5	XF293A00	IC	uPD4066G-T1
IC6	XV473A00	IC	CXA1897Q
IC7	XV474A00	IC	LC75393E
IC8	XW069A00	IC	M38199MF-096FP CPU
IC9	XF291A00	IC	uPC4570G2
IC10	XG938A00	IC	BA15218N
IC11	XF291A00	IC	uPC4570G2
IC21	XF291A00	IC	uPC4570G2
IC26	XR275A00	IC	BA3835S
L1	VM547800	COIL.BIAS	105KHz
L2	GE900780	COIL.BIAS	105KHz
L3	GE900780	COIL.BIAS	105KHz
PJ1	VV306900	JACK.PIN	4P
PJ2	VV307000	JACK.PIN	6P
* PJ4	VV306800	JACK.PIN	1P
Q1	VV655700	TR.DGT	DTC144EKA
Q2	VE613300	TR	2SB1237 Q,R
Q3	iC174020	TR	2SC1740S R,S
Q4	VE613300	TR	2SB1237 Q,R
Q5	VV655300	TR.DGT	DTA144EKA
Q6	VV655300	TR.DGT	DTA144EKA
Q7	VV655700	TR.DGT	DTC144EKA
* Q8	V3752400	TR.DGT	DTC143TKA
Q9	VV655500	TR.DGT	DTC124EKA
Q10	VV655500	TR.DGT	DTC124EKA
Q11	iC174020	TR	2SC1740S R,S
Q12	iC174020	TR	2SC1740S R,S
Q13	iC174020	TR	2SC1740S R,S
Q14	VV655500	TR.DGT	DTC124EKA
Q15	VV655700	TR.DGT	DTC144EKA
Q16	VV655500	TR.DGT	DTC124EKA
Q17	VE613400	TR	2SD1858 Q,R
Q18	VV655400	TR.DGT	DTC114EKA
Q19	V3033500	TR.DGT	DTC143XKA
Q20	VV655300	TR.DGT	DTA144EKA
Q21	VZ725900	TR	2SD1938F S,T
Q22	VV655000	TR.DGT	DTA114EKA
Q23	VZ725900	TR	2SD1938F S,T
Q24	VZ725900	TR	2SD1938F S,T
△ Q25	VK407600	TR	2SC4208A Q,R,S
△ Q26	VS883400	TR	2SD2394 E,F
△ Q27	VK407600	TR	2SC4208A Q,R,S
Q28	iA093320	TR	2SA933S Q,R

* New Parts

Schm Ref.	PART NO.	Description	
Q29	VV655700	TR.DGT	DTC144EKA
Q30	VV655700	TR.DGT	DTC144EKA
Q31	VV655700	TR.DGT	DTC144EKA
Q32	VV655700	TR.DGT	DTC144EKA
△ Q33	VK407600	TR	2SC4208A Q,R,S
Q34	VV655500	TR.DGT	DTC124EKA
Q35	VV655500	TR.DGT	DTC124EKA
Q36	VV655500	TR.DGT	DTC124EKA
R27	VP940100	R.MTL.OXD	33Ω 1W
R35	HV755150	R.CAR.FP	150Ω 1/4W
R59	HV754220	R.CAR.FP	22Ω 1/4W
R66	HV755560	R.CAR.FP	560Ω 1/4W
△ R95	HV753560	R.CAR.FP	5.6Ω 1/4W
△ R110	HV754680	R.CAR.FP	68Ω 1/4W
R155	HV754220	R.CAR.FP	22Ω 1/4W
R156	HV754220	R.CAR.FP	22Ω 1/4W
R251	HV754220	R.CAR.FP	22Ω 1/4W
R254	HV754220	R.CAR.FP	22Ω 1/4W
R258	HV754220	R.CAR.FP	22Ω 1/4W
R273	HV754220	R.CAR.FP	22Ω 1/4W
SW2	VU755700	SW.SLIDE	SS029-P012BEB(R)
VR1	VJ693600	VR.TRIM	B10KΩ
VR2	VJ694300	VR.TRIM	B150KΩ
VR3	VJ694300	VR.TRIM	B150KΩ
VR4	VJ693600	VR.TRIM	B10KΩ
VR5	VJ693800	VR.TRIM	B22KΩ
VR6	VJ693800	VR.TRIM	B22KΩ
VR7	VJ692900	VR.TRIM	B680Ω
XL1	VJ802400	RSNR.CE	8MHz
XL2	VQ328900	RSNR.CRYS	32.768KHz
	VJ828000	PIN	IMS-A-6024-03E
	BB071360	SCR.TERM	8.3x13
*	V4001300	P.C.B.	MAIN(UC)
*	V4001400	P.C.B.	MAIN(R)
*	V4001500	P.C.B.	MAIN(ABG)
CB201	VL845300	CN.BS.PIN	9P
CB202	VB390700	CN.BS.PIN	11P
CB203	VL844800	CN.BS.PIN	4P
CB204	VP206500	HOLDER.FUS	EYF-52BC
CB205	VL845100	CN.BS.PIN	7P
CB206	VK026500	CN.BS.PIN	6P
CB207	Vi878400	CN.BS.PIN	6P
CB208	VB390300	CN.BS.PIN	7P
CB209	VP206500	HOLDER.FUS	EYF-52BC
CB210	VB389800	CN.BS.PIN	2P
CB212	VP206500	HOLDER.FUS	EYF-52BC(R)
CB213	VP206500	HOLDER.FUS	EYF-52BC(R)
CB214	Vi878800	CN.BS.PIN	10P
CB215	VG879900	CN.BS.PIN	2P
CB216	VP206500	HOLDER.FUS	EYF-52BC

* New Parts

GX-700 P.C.B. MAIN

GX-700VCD

Schm Ref.	PART NO.	Description
CB217	VP206500	HOLDER.FUS EYF-52BC
C201	UR866470	C.EL 4.7uF 50V
C202	VF466900	C.CE.TUBLR 470pF 50V
C203	VF466900	C.CE.TUBLR 470pF 50V
C204	VF466900	C.CE.TUBLR 470pF 50V
C205	VF466800	C.CE.TUBLR 100pF 50V
C206	VF466800	C.CE.TUBLR 100pF 50V
C207	VF466800	C.CE.TUBLR 100pF 50V
C208	VF466800	C.CE.TUBLR 100pF 50V
C209	UR838330	C.EL 330uF 16V
C210	UR866470	C.EL 4.7uF 50V
C211	UR867470	C.EL 47uF 50V
C212	VG278400	C.CE.TUBLR 220pF 50V
C213	UR867100	C.EL 10uF 50V
C214	UR838100	C.EL 100uF 16V
C215	UR838100	C.EL 100uF 16V
C216	UR867100	C.EL 10uF 50V
C217	VG278400	C.CE.TUBLR 220pF 50V
C218	UR867100	C.EL 10uF 50V
C219	VG278400	C.CE.TUBLR 220pF 50V
C220	UR838100	C.EL 100uF 16V
C221	UR867220	C.EL 22uF 50V
C222	UR867220	C.EL 22uF 50V
C223	VF467300	C.CE.TUBLR 0.01uF 16V
C224	FG650300	C.CE 3pF 50V
C225	UT653220	C.PP 2200pF 100V
C226	UR798100	C.EL 100uF 100V
C227	UT653220	C.PP 2200pF 100V
C228	UR798100	C.EL 100uF 100V
C229	FG650300	C.CE 3pF 50V
C230	FG650300	C.CE 3pF 50V
C231	UR858100	C.EL 100uF 35V
C232	UR897100	C.EL 10uF 100V
C233	UR858100	C.EL 100uF 35V
C234	UR897100	C.EL 10uF 100V
C235	UR866470	C.EL 4.7uF 50V
C236	UA954470	C.MYLAR 0.047uF 50V
C237	UA954470	C.MYLAR 0.047uF 50V
C238	UA954470	C.MYLAR 0.047uF 50V
△ * C239	V3671100	C.EL 4700uF 71V
△ * C240	V3671100	C.EL 4700uF 71V
* C241	UR818100	C.EL 100uF 6.3V
* C242	V3671000	C.EL 4700uF 35V
* C243	V3671000	C.EL 4700uF 35V
C244	UA953220	C.MYLAR 2200pF 50V
C245	UA953220	C.MYLAR 2200pF 50V
C246	VF467300	C.CE.TUBLR 0.01uF 16V
C247	VF467300	C.CE.TUBLR 0.01uF 16V
C248	UA954100	C.MYLAR 0.01uF 50V
C249	UA954100	C.MYLAR 0.01uF 50V
C250	VR324800	C.MYLAR 0.047uF 100V
C251	VR324800	C.MYLAR 0.047uF 100V
C252	UA954470	C.MYLAR 0.047uF 50V

Schm Ref.	PART NO.	Description
C253	UA954470	C.MYLAR 0.047uF 50V
C254	UA954100	C.MYLAR 0.01uF 50V
C255	UR739470	C.EL 4700uF 16V
C259	FG644100	C.CE 0.01uF 50V
C260	FG613100	C.CE 1000pF 50V(R)
C261	UR848470	C.EL 470uF 25V
C262	UR768470	C.EL 470uF 50V(R)
C263	VJ599100	C.CE.TUBLR 0.1uF 50V
C264	UA954100	C.MYLAR 0.01uF 50V
C265	UA954100	C.MYLAR 0.01uF 50V
△ C266	VS741700	C.CE.SAFETY 0.01uF 275V
C267	UR867100	C.EL 10uF 50V
C268	UR867470	C.EL 47uF 50V
C271	UR867100	C.EL 10uF 50V
C300	UR847100	C.EL 10uF 25V
D201	VG443100	DIODE.ZENR MTZJ27D 27V
D202	VG440500	DIODE.ZENR MTZJ13B 13V
D203	VG440500	DIODE.ZENR MTZJ13B 13V
D204	VG440500	DIODE.ZENR MTZJ13B 13V
D205	VN008700	DIODE 1SS270A
D206	VN008700	DIODE 1SS270A
D207	VN008700	DIODE 1SS270A
D208	VN008700	DIODE 1SS270A
D209	VD631600	DIODE 1SS133,176,HSS104
D210	VG440500	DIODE.ZENR MTZJ13B 13V
△ D211	VN011400	DIODE.BRG D5SB20 5A 200V
△ D212	VN011400	DIODE.BRG D5SB20 5A 200V
△ D213	VN011300	DIODE.BRG D3SBA20 4A 200V
D214	VD631600	DIODE 1SS133,176,HSS104
△ D215	VR253700	DIODE.BRG S1NB20 1.0A 200V
D216	VG440500	DIODE.ZENR MTZJ13B 13V(R)
D217	VG440500	DIODE.ZENR MTZJ13B 13V
△ F201	KB000750	FUSE.MNI T2.0A 250V(RABG)
△ F201	VS822500	FUSE 2.0A 125V(UC)
△ F202	KB000790	FUSE T4.0A 250V(R)
△ F202	KB001660	FUSE T1.6A 250V(ABG)
△ F202	VS822900	FUSE T4.0A 125V(UC)
△ F203	KB001660	FUSE T1.6A 250V(R)
G201	VR463400	TERM.GND D3.5 TP00385
HS201	V2692300	HEAT.SINK BPUE36-30
HS202	VN126800	HEAT.SINK U0T-16C25-MP(R)
IC201	XW057A00	IC STK496-620Y 80W 3C
L201	VU038100	COIL 1.5uH
L202	VU038100	COIL 1.5uH
Q201	iC287820	TR 2SC2878 A,B
Q202	iC287820	TR 2SC2878 A,B
Q203	iC287820	TR 2SC2878 A,B
△ # Q204	VR510800	TR 2SD2396 J,K
△ Q206	VS883300	TR 2SB1565 E,F
△ Q207	VS883300	TR 2SB1565 E,F
Q208	VP883000	TR 2SA893A D,E
Q209	VP883100	TR 2SC1890A D,E
Q210	VP883100	TR 2SC1890A D,E

* New Parts

* New Parts

GX-700 P.C.B. MAIN & EFFECT

Schm Ref.	PART NO.	Description	
Q211	VP883100	TR	2SC1890A D,E
Q212	iC287820	TR	2SC2878 A,B
Q213	iC174020	TR	2SC1740S R,S
Q214	iC174020	TR	2SC1740S R,S
Q215	iC174020	TR	2SC1740S R,S
Q216	iC174020	TR	2SC1740S R,S
Q217	VR510800	TR	2SD2396 J,K(R)
△# Q218	VR510800	TR	2SD2396 J,K
Q219	iC174020	TR	2SC1740S R,S
Q220	VP883000	TR	2SA893A D,E
Q221	iA093320	TR	2SA933S Q,R
Q222	VR402300	TR	2SB647 C,D
△ R222	HV753100	R.CAR.FP	1Ω 1/4W
△ R225	HV753100	R.CAR.FP	1Ω 1/4W
△ R226	HV753100	R.CAR.FP	1Ω 1/4W
R227	VP940400	R.MTL.OXD	100Ω 1W
R230	VP940400	R.MTL.OXD	100Ω 1W
* R234	V3158200	R.MTL.PLAT	0.22Ω
* R237	V3158200	R.MTL.PLAT	0.22Ω
* R238	V3158200	R.MTL.PLAT	0.22Ω
R242	HV754100	R.CAR.FP	10Ω 1/4W
R245	HV754100	R.CAR.FP	10Ω 1/4W
R247	HV754100	R.CAR.FP	10Ω 1/4W
R250	HV754100	R.CAR.FP	10Ω 1/4W
R255	HV754100	R.CAR.FP	10Ω 1/4W
R263	HV754470	R.CAR.FP	47Ω 1/4W
△ R269	HV753100	R.CAR.FP	1Ω 1/4W
△ R270	HV753100	R.CAR.FP	1Ω 1/4W
R274	HV756560	R.CAR.FP	5.6KΩ 1/4W(R)
R275	HV756560	R.CAR.FP	5.6KΩ 1/4W(R)
△ R277	HV753100	R.CAR.FP	1Ω 1/4W
R290	HV754220	R.CAR.FP	22Ω 1/4W
RY201	VU161600	RELAY	DC OSA-SS-224DM3
△ RY203	V2712300	RELAY	DC SDT-S-112LMR
△ SW204	VA961800	VOLT.SELCT	ESE-37247-F(R)
△ T203	XV443A00	TRANS.PWR	(UC)
△ T203	XV444A00	TRANS.PWR	(R)
△ T203	XV445A00	TRANS.PWR	(ABG)
TE201	V2996200	TERM.SP	4P CJ-9026-06-0203
	VJ828000	PIN	IMSA-6024-03E
	BB071360	SCR.TERM	8.3x13
	EP600140	SCR.BND.HD	3x10 MFZN2-BL
*	V4003800	P.C.B.	EFFECT
CB2	VB858700	CN.BS.PIN	8P
CB5	VQ045900	CN.BS.PIN	30P
CB6	Vi878100	CN.BS.PIN	3P
CB7	VT707200	L.EMIT	TOTX178
CB8	VK024700	CN.BS.PIN	3P
CB301	VF728200	CN.BS.PIN	10P
C1	UR829100	C.EL	1000uF 10V

* New Parts

Schm Ref.	PART NO.	Description	
C2	UB052100	C.CE.M.CHP	100pF 50V
C3	UB052100	C.CE.M.CHP	100pF 50V
C4	UR829100	C.EL	1000uF 10V
C5	UR837100	C.EL	10uF 16V
C6	UR837100	C.EL	10uF 16V
C8	UA655100	C.MYLAR	0.1uF 50V
C9	UR847100	C.EL	10uF 25V
C10	UR837470	C.EL	47uF 16V
C11	UA655470	C.MYLAR	0.47uF 50V
C12	UR847100	C.EL	10uF 25V
C13	UA655100	C.MYLAR	0.1uF 50V
C14	UR865470	C.EL	0.47uF 50V
C15	UR866470	C.EL	4.7uF 50V
C16	UR865470	C.EL	0.47uF 50V
C17	UR866470	C.EL	4.7uF 50V
C18	UR865220	C.EL	0.22uF 50V
C19	UR866330	C.EL	3.3uF 50V
C20	UA655150	C.MYLAR	0.15uF 50V
C21	UA655150	C.MYLAR	0.15uF 50V
C22	UR866330	C.EL	3.3uF 50V
C23	UR865220	C.EL	0.22uF 50V
C24	UR866470	C.EL	4.7uF 50V
C25	UR865470	C.EL	0.47uF 50V
C26	UR866470	C.EL	4.7uF 50V
C27	UR865470	C.EL	0.47uF 50V
C28	UA655100	C.MYLAR	0.1uF 50V
C29	UR847100	C.EL	10uF 25V
C30	UR847100	C.EL	10uF 25V
C31	UA655100	C.MYLAR	0.1uF 50V
C32	UR847100	C.EL	10uF 25V
C33	UR847100	C.EL	10uF 25V
C34	UR838220	C.EL	220uF 16V
C35	UB013100	C.CE.M.CHP	1000pF 50V
C36	UR838330	C.EL	330uF 16V
C37	UA954470	C.MYLAR	0.047uF 50V
C38	UA954220	C.MYLAR	0.022uF 50V
C39	UA952680	C.MYLAR	680pF 50V
C40	UR838220	C.EL	220uF 16V
C41	UA954820	C.MYLAR	0.082uF 50V
C42	UA953330	C.MYLAR	3300pF 50V
C43	UA954820	C.MYLAR	0.082uF 50V
C44	UR865470	C.EL	0.47uF 50V
* C45	UR865330	C.EL	0.33uF 50V
C46	UR847100	C.EL	10uF 25V
C47	UR847100	C.EL	10uF 25V
C48	UR847100	C.EL	10uF 25V
C49	UR866220	C.EL	2.2uF 50V
C50	UR838220	C.EL	220uF 16V
C51	UR866470	C.EL	4.7uF 50V
C52	UA954100	C.MYLAR	0.01uF 50V
C53	UA953470	C.MYLAR	4700pF 50V
C54	UR838220	C.EL	220uF 16V
C55	UR838220	C.EL	220uF 16V

* New Parts

GX-700 P.C.B. EFFECT & OPERATION

Schm Ref.	PART NO.	Description		
C56	UR847100	C.EL	10uF	25V
C57	UR866470	C.EL	4.7uF	50V
C58	UB052100	C.CE.M.CHP	100pF	50V
C59	UB052100	C.CE.M.CHP	100pF	50V
C60	UB052100	C.CE.M.CHP	100pF	50V
C61	UR837100	C.EL	10uF	16V
C62	UA952470	C.MYLAR	470pF	50V
C63	UR847100	C.EL	10uF	25V
C64	UA953150	C.MYLAR	1500pF	50V
C65	UA952560	C.MYLAR	560pF	50V
C66	UR837100	C.EL	10uF	16V
C67	UB052100	C.CE.M.CHP	100pF	50V
C69	UB052100	C.CE.M.CHP	100pF	50V
C70	UR837100	C.EL	10uF	16V
C71	UR847100	C.EL	10uF	25V
C72	UR837100	C.EL	10uF	16V
C73	UB052100	C.CE.M.CHP	100pF	50V
C74	UB012220	C.CE.M.CHP	220pF	50V
C75	UB012220	C.CE.M.CHP	220pF	50V
C76	UR837100	C.EL	10uF	16V
C77	UR837100	C.EL	10uF	16V
C78	UR865220	C.EL	0.22uF	50V
C79	UR837100	C.EL	10uF	16V
C80	UR865220	C.EL	0.22uF	50V
C81	UR837100	C.EL	10uF	16V
C82	UB012220	C.CE.M.CHP	220pF	50V
C83	UB012220	C.CE.M.CHP	220pF	50V
C84	UB052100	C.CE.M.CHP	100pF	50V
C85	UR837100	C.EL	10uF	16V
C86	UB045100	C.CE.M.CHP	0.1uF	50V
C90	UR837100	C.EL	10uF	16V
C300	UB012220	C.CE.M.CHP	220pF	50V
C301	UB051220	C.CE.M.CHP	22pF	50V
C302	UB052100	C.CE.M.CHP	100pF	50V
C303	UA655220	C.MYLAR	0.22uF	50V
C304	UR847220	C.EL	22uF	25V
C305	UB045100	C.CE.M.CHP	0.1uF	50V
C306	UR867100	C.EL	10uF	50V
C307	UR828220	C.EL	220uF	10V
C308	UR867100	C.EL	10uF	50V
C309	UA954100	C.MYLAR	0.01uF	50V
C310	UA954100	C.MYLAR	0.01uF	50V
C311	UA954100	C.MYLAR	0.01uF	50V
C313	UB044100	C.CE.M.CHP	0.01uF	50V
C314	UA954100	C.MYLAR	0.01uF	50V
C315	UA953220	C.MYLAR	2200pF	50V
C316	UA953220	C.MYLAR	2200pF	50V
D300	VT332900	DIODE	1SS355	
D301	VT332900	DIODE	1SS355	
D302	VU992300	DIODE.ZENR	MA8047-H	4.9V
D303	VT332900	DIODE	1SS355	
IC1	XH436A00	IC	LA7956	
IC2	iG054600	IC	HD14053BP	MPX

* New Parts

Schm Ref.	PART NO.	Description		
* IC5	XV873A00	IC	LV1035M	
IC7	XB247A00	IC	uPC4570HA	
IC8	XB247A00	IC	uPC4570HA	
IC9	XB247A00	IC	uPC4570HA	
IC10	XS884A00	IC	LC7536Y	
IC11	XV466A00	IC	LM1875T	POWER
L1	VD473700	COIL	60uH	
L2	VU038100	COIL	1.5uH	
L3	VU038100	COIL	1.5uH	
PJ1	VV307100	JACK.PIN	4P	
Q1	iC181510	TR	2SC1815	Y
Q2	iC181510	TR	2SC1815	Y
Q3	iC174020	TR	2SC1740S	R,S
Q4	VG722000	TR.DGT	DTC144ES	
Q5	VG722000	TR.DGT	DTC144ES	
Q7	iC287820	TR	2SC2878	A,B
R13	HV753220	R.CAR.FP	2.2Ω	1/4W
R27	HV754220	R.CAR.FP	22Ω	1/4W
R37	HV754220	R.CAR.FP	22Ω	1/4W
R43	HV754220	R.CAR.FP	22Ω	1/4W
R44	HV754220	R.CAR.FP	22Ω	1/4W
R303	HV753680	R.CAR.FP	6.8Ω	1/4W
R305	HV754470	R.CAR.FP	47Ω	1/4W
R307	HV753220	R.CAR.FP	2.2Ω	1/4W
R310	HV753470	R.CAR.FP	4.7Ω	1/4W
R311	HV754100	R.CAR.FP	10Ω	1/4W
R312	HV753220	R.CAR.FP	2.2Ω	1/4W
R314	HV753220	R.CAR.FP	2.2Ω	1/4W
RY1	VU161600	RELAY	DC OSA-SS-224DM3	
TE1	VU900200	TERM.SP	6P	
XL1	VJ802400	RSNR.CE	8MHz	
	VJ828000	PIN	IMS A-6024-03E	
	BB071360	SCR.TERM	8.3x13	
* V4003100	P.C.B.	OPERATION		
CB804	VQ045400	CN.BS.PIN	25P	
CB805	VB858500	CN.BS.PIN	6P	
CB806	VQ045000	CN.BS.PIN	20P	
C822	UR818100	C.EL	100uF	6.3V
C842	UB044470	C.CE.M.CHP	0.047uF	50V
C843	UB245100	C.CE.M.CHP	0.1uF	25V
C844	UB044470	C.CE.M.CHP	0.047uF	50V
C845	UB245100	C.CE.M.CHP	0.1uF	25V
C846	UR866100	C.EL	1uF	50V
C847	UR866100	C.EL	1uF	50V
C848	UA953220	C.MYLAR	2200pF	50V
C849	UA953220	C.MYLAR	2200pF	50V
C850	UA953680	C.MYLAR	6800pF	50V
C851	UA953680	C.MYLAR	6800pF	50V
C855	UR837100	C.EL	10uF	16V
C858	UR837100	C.EL	10uF	16V

* New Parts

GX-700 P.C.B. OPERATION & TUNER

Schm Ref.	PART NO.	Description		
C859	UR818100	C.EL	100uF	6.3V
C860	UR818100	C.EL	100uF	6.3V
C861	UR837100	C.EL	10uF	16V
C862	UR837100	C.EL	10uF	16V
C863	UB012270	C.CE.M.CHP	270pF	50V
C864	UB012270	C.CE.M.CHP	270pF	50V
C868	UA953820	C.MYLAR	8200pF	50V
C870	UA953820	C.MYLAR	8200pF	50V
C872	UB013100	C.CE.M.CHP	1000pF	50V
C873	UB013100	C.CE.M.CHP	1000pF	50V
C874	UR818100	C.EL	100uF	6.3V
C875	UB045100	C.CE.M.CHP	0.1uF	50V
C876	UB052100	C.CE.M.CHP	100pF	50V
C877	UM388100	C.EL	100uF	10V
C878	UR866470	C.EL	4.7uF	50V
C879	UR866470	C.EL	4.7uF	50V
C880	UR866470	C.EL	4.7uF	50V
C881	UB045100	C.CE.M.CHP	0.1uF	50V
C890	UR837100	C.EL	10uF	16V
C901	UB052100	C.CE.M.CHP	100pF	50V
C902	UB245100	C.CE.M.CHP	0.1uF	25V
D802	VS132300	LED(re)	SLR-325VCT31	
D803	VR711400	LED(gr)	SLR-325MC	
D804	VU992900	DIODE.ZENR	MA8056-L	5.4V
* D810	V3253600	LED(bu)	SELU1E50CM	
IC810	XB247A00	IC	uPC4570HA	
IC811	XJ757A00	IC	NJM78L05A-T3	
IC814	XT952A00	IC	YSS247-D	
IC815	XW059A00	IC	M66004MASP	
JK803	VT941600	JACK.MNI	SW HTJ-035-17AB	
Q801	iC287820	TR	2SC2878 A,B	
Q802	iC287820	TR	2SC2878 A,B	
Q803	iC174020	TR	2SC1740S R,S	
Q804	iC174020	TR	2SC1740S R,S	
Q805	iA093320	TR	2SA933S Q,R	
Q806	iC174020	TR	2SC1740S R,S	
R828	HV754330	R.CAR.FP	33Ω	1/4W
R829	HV754330	R.CAR.FP	33Ω	1/4W
R830	HV754680	R.CAR.FP	68Ω	1/4W
R831	HV754680	R.CAR.FP	68Ω	1/4W
R846	HV754390	R.CAR.FP	39Ω	1/4W
R851	HV754390	R.CAR.FP	39Ω	1/4W
R894	HV755100	R.CAR.FP	100Ω	1/4W
R895	HV755100	R.CAR.FP	100Ω	1/4W
R951	HV754220	R.CAR.FP	22Ω	1/4W
SW802	VG392900	SW.TACT	SKHVAA	
SW803	VG392900	SW.TACT	SKHVAA	
SW804	VG392900	SW.TACT	SKHVAA	
SW805	VG392900	SW.TACT	SKHVAA	
SW806	VG392900	SW.TACT	SKHVAA	
SW807	VG392900	SW.TACT	SKHVAA	
SW808	VG392900	SW.TACT	SKHVAA	
SW809	VG392900	SW.TACT	SKHVAA	

* New Parts

Schm Ref.	PART NO.	Description		
SW813	VG392900	SW.TACT	SKHVAA	
SW814	VG392900	SW.TACT	SKHVAA	
SW815	VG392900	SW.TACT	SKHVAA	
SW816	VG392900	SW.TACT	SKHVAA	
SW817	VG392900	SW.TACT	SKHVAA	
SW818	VG392900	SW.TACT	SKHVAA	
SW820	VG392900	SW.TACT	SKHVAA	
SW821	VG392900	SW.TACT	SKHVAA	
SW822	VG392900	SW.TACT	SKHVAA	
SW823	VG392900	SW.TACT	SKHVAA	
SW824	VG392900	SW.TACT	SKHVAA	
SW825	VT941400	SW.RT.ENC	EC16B24304	
SW826	VG392900	SW.TACT	SKHVAA	
SW827	VG392900	SW.TACT	SKHVAA	
SW828	VG392900	SW.TACT	SKHVAA	
SW829	VG392900	SW.TACT	SKHVAA	
SW830	VG392900	SW.TACT	SKHVAA	
SW831	VG392900	SW.TACT	SKHVAA	
SW832	VG392900	SW.TACT	SKHVAA	
SW833	VG392900	SW.TACT	SKHVAA	
SW834	VG392900	SW.TACT	SKHVAA	
SW835	VG392900	SW.TACT	SKHVAA	
SW836	VG392900	SW.TACT	SKHVAA	
U801	V2856200	L.DTCT	PIC-28043TH2	
V801	V2959000	FL.DSPLY	16-BT-63GK	
VR802	V2969400	VR	B50KΩ	
VR804	V2969500	VR	B100KΩ	
	VJ828000	PIN	IMSA-6024-03E	
	VU351500	SPACER	FL	
* V3112800		SHEET.FL		
* V3281500		SPACER.LED	LDS-20K	
* V4000200		P.C.B./CHP	TUNER/TU-02(UCR)	
* V4000300		P.C.B./CHP	TUNER/TU-02(A)	
* V4000400		P.C.B./CHP	TUNER/TU-02(BG)	
CB1	VQ961400	CN.BS.PIN	11P	
C1	UB044100	C.CE.M.CHP	0.01uF	50V
C2	UR838100	C.EL	100uF	16V
C3	UB044100	C.CE.M.CHP	0.01uF	50V
C4	UR865220	C.EL	0.22uF	50V
C5	UB044100	C.CE.M.CHP	0.01uF	50V
C6	UB044100	C.CE.M.CHP	0.01uF	50V
C7	UB044100	C.CE.M.CHP	0.01uF	50V
C8	UB044100	C.CE.M.CHP	0.01uF	50V
C9	UB044470	C.CE.M.CHP	0.047uF	50V
C10	VA760500	C.CE	8pF	50V
C11	UR837100	C.EL	10uF	16V
C12	UB044100	C.CE.M.CHP	0.01uF	50V
C13	UR837470	C.EL	47uF	16V
C14	UB044470	C.CE.M.CHP	0.047uF	50V
C15	UB044100	C.CE.M.CHP	0.01uF	50V

* New Parts

GX-700 P.C.B. TUNER

Schm Ref.	PART NO.	Description		
C16	UB044470	C.CE.M.CHP	0.047uF	50V
C17	UR866100	C.EL	1uF	50V
C18	UR865470	C.EL	0.47uF	50V
C19	UR866100	C.EL	1uF	50V
C20	UR866100	C.EL	1uF	50V
C21	UB045100	C.CE.M.CHP	0.1uF	50V
C22	UB044470	C.CE.M.CHP	0.047uF	50V
C23	UR866220	C.EL	2.2uF	50V
C24	UR837330	C.EL	33uF	16V
C25	UB044470	C.CE.M.CHP	0.047uF	50V
C26	UR866330	C.EL	3.3uF	50V
C27	UB044470	C.CE.M.CHP	0.047uF	50V
C28	UR837220	C.EL	22uF	25V
C29	UB014270	C.CE.M.CHP	0.027uF	50V
C30	UB012680	C.CE.M.CHP	680pF	50V(UCRA)
C30	UB052100	C.CE.M.CHP	100pF	50V(BG)
C31	UR837100	C.EL	10uF	16V
C32	UA654430	C.MYLAR	0.043uF	50V(UCR)
C32	UA954270	C.MYLAR	0.027uF	50V(ABG)
C33	UA654430	C.MYLAR	0.043uF	50V(UCR)
C33	UA954270	C.MYLAR	0.027uF	50V(ABG)
C34	UR837100	C.EL	10uF	16V
C35	UR837100	C.EL	10uF	16V
C36	UR866470	C.EL	4.7uF	50V
C37	UR866470	C.EL	4.7uF	50V
C38	UB013270	C.CE.M.CHP	2700pF	50V
C39	UB013270	C.CE.M.CHP	2700pF	50V
C40	UB044100	C.CE.M.CHP	0.01uF	50V
C41	UR837100	C.EL	10uF	16V
C57	UR817470	C.EL	47uF	6.3V
C58	UR817470	C.EL	47uF	6.3V
C59	UR838100	C.EL	100uF	16V
C60	UB052100	C.CE.M.CHP	100pF	50V
C61	UR866100	C.EL	1uF	50V
C62	UR837100	C.EL	10uF	16V
C63	VJ899500	C.CE.M.CHP	10pF	50V
C64	VJ899500	C.CE.M.CHP	10pF	50V
C65	UB052100	C.CE.M.CHP	100pF	50V
C67	UR817470	C.EL	47uF	6.3V(BG)
C68	UB012330	C.CE.M.CHP	330pF	50V(BG)
C69	UR817470	C.EL	47uF	6.3V(BG)
C70	UR817470	C.EL	47uF	6.3V(BG)
C71	UB012560	C.CE.M.CHP	560pF	50V(BG)
C72	VJ900500	C.CE.M.CHP	27pF	50V(BG)
C73	VJ900500	C.CE.M.CHP	27pF	50V(BG)
C74	UB045100	C.CE.M.CHP	0.1uF	50V(BG)
D1	VU995000	DIODE.ZENR	MA8091-M	9.1V
D2	VT332900	DIODE	1SS355	
D3	VT332900	DIODE	1SS355	
D4	VT332900	DIODE	1SS355	
D5	VU993000	DIODE.ZENR	MA8056-M	5.6V
D11	VU995400	DIODE.ZENR	MA8100-M	10V
IC1	XV228A00	IC	LA1838 FM,AM IF	

* New Parts

Schm Ref.	PART NO.	Description		
IC2	XV229A00	IC	LC72131M	
IC4	XV230A00	IC	LC72720NM(BG)	
L1	GG000560	FLTR.CE	SFE10.7(UCRA)	
* L1	V4545200	FLTR.CE	10.7MHz(BG)	
L2	GG000560	FLTR.CE	SFE10.7(UCRA)	
* L2	V4545200	FLTR.CE	10.7MHz(BG)	
L3	VU887900	COIL	10uH	
L4	VU434500	FLTR.CE	450K PCFMT-049A	
L5	VR888000	FLTR.LC	19KHz	
L6	VR888000	FLTR.LC	19KHz	
L7	VU889500	COIL	220uH(BG)	
L8	VU889500	COIL	220uH(BG)	
L9	VU889500	COIL	220uH(BG)	
* PK1	V4299000	TUNER.FM	TFFJ2U584A(UCR)	
PK1	VU134500	TUNER.FM	TFFJ4E515A(ABG)	
PK2	VU333700	COIL.RF.AM	940536051A	
Q1	iC053540	TR	2SC535 A,B,C	
Q2	VD678500	TR.DGT	DTA114ES	
Q3	iC181510	TR	2SC1815 Y	
R1	HV755150	R.CAR.FP	150Ω	1/4W
R3	HV755220	R.CAR.FP	220Ω	1/4W
R17	VV901100	R.MTL.OXD	120Ω	1W
R40	HV755680	R.CAR.FP	680Ω	1/4W
TE1	VU477800	TERM.ANT	AJ-2038-040	
XL1	V2717200	FLTR.CE	CDA10.7MG74-A	
XL2	VY734600	RSNR.CRYS	7.2MHz	
* XL4	V3930900	RSNR.CRYS	4.332MHz(BG)	
	BB071360	SCR.TERM	8.3x13	

* New Parts

GX-700VCD P.C.B. VCD

Schm Ref.	PART NO.	Description		
	V4003700	P.C.B.	VCD	
CB1	V2731000	CN.FMN	16P	
CB2	VU929500	CN.BS.PIN	6P	
CB3	VU534900	CN.BS.PIN	6P	
CB4	VB390200	CN.BS.PIN	6P	
CB5	VB389900	CN.BS.PIN	3P	
CB7	VB858200	CN.BS.PIN	3P	
CB8	LB919030	CN.BS.PIN	3P	
CB9	VM929900	CN.BS.PIN	15P	
CB10	VB858300	CN.BS.PIN	4P	
CB11	VQ963600	CN.BS.PIN	15P	
CB12	VQ961800	CN.BS.PIN	15P	
CB13	VQ963600	CN.BS.PIN	15P	
CB14	VQ961800	CN.BS.PIN	15P	
CB15	VZ085400	CN	30P	
C1	UN866100	C.EL	1uF	50V
C2	UN866100	C.EL	1uF	50V
C3	UR818100	C.EL	100uF	6.3V
C4	UR818470	C.EL	470uF	6.3V
C5	UB045100	C.CE.M.CHP	0.1uF	50V
C6	UB045100	C.CE.M.CHP	0.1uF	50V
C7	UB044100	C.CE.M.CHP	0.01uF	50V
C8	UA952100	C.MYLAR	100pF	50V
C9	UB045100	C.CE.M.CHP	0.1uF	50V
C10	UA655100	C.MYLAR	0.1uF	50V
C11	UR837470	C.EL	47uF	16V
C12	UR866100	C.EL	1uF	50V
C13	UB013100	C.CE.M.CHP	1000pF	50V
C14	UB044100	C.CE.M.CHP	0.01uF	50V
C15	UR818100	C.EL	100uF	6.3V
C16	UA655100	C.MYLAR	0.1uF	50V
C17	UR828100	C.EL	100uF	10V
C18	UR838220	C.EL	220uF	16V
C19	UR837100	C.EL	10uF	16V
C20	UA954470	C.MYLAR	0.047uF	50V
C21	UA953180	C.MYLAR	1800pF	50V
C22	UA953220	C.MYLAR	2200pF	50V
C23	UA655100	C.MYLAR	0.1uF	50V
C24	UA953470	C.MYLAR	4700pF	50V
C25	UA953220	C.MYLAR	2200pF	50V
C26	UA953220	C.MYLAR	2200pF	50V
C27	UA655270	C.MYLAR	0.27uF	50V
C29	UR818100	C.EL	100uF	6.3V
C31	UB012560	C.CE.M.CHP	560pF	50V
C32	UB045100	C.CE.M.CHP	0.1uF	50V
C33	UA655330	C.MYLAR	0.33uF	50V
C34	UA654240	C.MYLAR	0.024uF	50V
C35	UB044100	C.CE.M.CHP	0.01uF	50V
C36	VJ900300	C.CE.M.CHP	22pF	50V
C37	VJ900300	C.CE.M.CHP	22pF	50V
C38	UR818100	C.EL	100uF	6.3V
C39	UR818470	C.EL	470uF	6.3V
C40	UB044100	C.CE.M.CHP	0.01uF	50V

* New Parts

Schm Ref.	PART NO.	Description		
C41	UB044100	C.CE.M.CHP	0.01uF	50V
C42	UB044100	C.CE.M.CHP	0.01uF	50V
C43	UR818100	C.EL	100uF	6.3V
C44	UB044100	C.CE.M.CHP	0.01uF	50V
C45	UB044100	C.CE.M.CHP	0.01uF	50V
C46	UR818100	C.EL	100uF	6.3V
C47	UR866100	C.EL	1uF	50V
C48	UR818100	C.EL	100uF	6.3V
C49	UA655330	C.MYLAR	0.33uF	50V
C50	UB044100	C.CE.M.CHP	0.01uF	50V
C51	UR866100	C.EL	1uF	50V
C52	UA954100	C.MYLAR	0.01uF	50V
C53	UA954100	C.MYLAR	0.01uF	50V
C54	UR866100	C.EL	1uF	50V
* C55	UR739100	C.EL	1000uF	16V
C56	UB044100	C.CE.M.CHP	0.01uF	50V
C57	UB044100	C.CE.M.CHP	0.01uF	50V
C58	UB044100	C.CE.M.CHP	0.01uF	50V
C59	UA953680	C.MYLAR	6800pF	50V
C60	UA953220	C.MYLAR	2200pF	50V
C61	UA953220	C.MYLAR	2200pF	50V
C62	UA953680	C.MYLAR	6800pF	50V
C63	UR828100	C.EL	100uF	10V
C64	UR837330	C.EL	33uF	16V
C65	UR818100	C.EL	100uF	6.3V
C66	UR837220	C.EL	22uF	25V
C67	UR837220	C.EL	22uF	25V
C68	UR837220	C.EL	22uF	25V
C69	UR837220	C.EL	22uF	25V
C70	UB044100	C.CE.M.CHP	0.01uF	50V
C71	UA953150	C.MYLAR	1500pF	50V
C72	UA953150	C.MYLAR	1500pF	50V
C76	UR818100	C.EL	100uF	6.3V
C77	UR818100	C.EL	100uF	6.3V
C78	UR818100	C.EL	100uF	6.3V
C79	UB044100	C.CE.M.CHP	0.01uF	50V
C83	UR837100	C.EL	10uF	16V
C84	UR837100	C.EL	10uF	16V
C85	UR837100	C.EL	10uF	16V
C86	UB051100	C.CE.M.CHP	10pF	50V
C87	VR498100	C.EL	6.8uF	6.3V
C88	VR498100	C.EL	6.8uF	6.3V
C89	UB012470	C.CE.M.CHP	470pF	50V
C90	UB044100	C.CE.M.CHP	0.01uF	50V
C91	UB045100	C.CE.M.CHP	0.1uF	50V
C100	UB045100	C.CE.M.CHP	0.1uF	50V
C101	UB045100	C.CE.M.CHP	0.1uF	50V
C102	UB045100	C.CE.M.CHP	0.1uF	50V
D1	VT332900	DIODE	1SS355	
D2	VU993400	DIODE.ZENR	MA8062-M	6.2V
D3	VT332900	DIODE	1SS355	
D4	VT332900	DIODE	1SS355	
D5	VT332900	DIODE	1SS355	

* New Parts

GX-700VCD P.C.B. VCD & INPUT

GX-700VCD

Schm Ref.	PART NO.	Description	
D6	VT332900	DIODE	1SS355
D7	VU993800	DIODE.ZENR	MA8068-M 6.8V
G1	VR463400	TERM.GND	D3.5 TP00385
G2	VR463400	TERM.GND	D3.5 TP00385
HS1	VN126800	HEAT.SINK	UOT-16C25-MP
HS2	VA119100	HEAT.SINK	
IC1	XV986A00	IC	LA6541D DRIVER
IC2	XS741A00	IC	AN8806SB
IC3	XR274A00	IC	TA8409SE
IC4	XR274A00	IC	TA8409SE
IC5	XT342A00	IC	MN662741RPB1
IC6	XT333A00	IC	uPC29M33HF 3.3V
IC7	XQ248A00	IC	TC74HC125AF BUS BU
IC8	XN961A00	IC	TC74VHC14F INV
IC9	XQ248A00	IC	TC74HC125AF BUS BU
IC10	XF291A00	IC	uPC4570G2
IC11	XW066A00	IC	M38199MF-097FP CPU
IC12	XQ667A00	IC	M5237L
IC13	XS993A00	IC	TC74HC04AF INV
L1	VU889500	COIL	220uH
L2	VU889500	COIL	220uH
Q1	VR402300	TR	2SB647 C,D
Q2	VD678700	TR.DGT	DTC114ES
Q3	iC287820	TR	2SC2878 A,B
Q4	VD678700	TR.DGT	DTC114ES
Q5	VD678700	TR.DGT	DTC114ES
Q6	VS883300	TR	2SB1565 E,F
Q7	VR510800	TR	2SD2396 J,K
Q8	VD678700	TR.DGT	DTC114ES
Q9	iC287820	TR	2SC2878 A,B
Q10	iC287820	TR	2SC2878 A,B
Q15	VD678700	TR.DGT	DTC114ES
Q16	VD678700	TR.DGT	DTC114ES
Q17	VD678500	TR.DGT	DTA114ES
R17	HV753220	R.CAR.FP	2.2Ω 1/4W
R35	VH307000	R.ARRAY	RGLE6X473J
R56	VH307000	R.ARRAY	RGLE6X473J
R57	VH307000	R.ARRAY	RGLE6X473J
R85	VH307000	R.ARRAY	RGLE6X473J
R86	VH307000	R.ARRAY	RGLE6X473J
R91	Vi868300	R.FUS	0.68Ω 1/6W
R97	VH307000	R.ARRAY	RGLE6X473J
* R145	VU318400	R.MTL.OXD	27Ω 1W
* R158	VU318400	R.MTL.OXD	27Ω 1W
* R159	VU318400	R.MTL.OXD	27Ω 1W
TP1	VL448600	JUMPER.TST	
TP2	VL448600	JUMPER.TST	
XL1	VJ719800	RSNR.CRYS	16.9344MHz
XL2	VJ802400	RSNR.CE	8MHz
	VJ828000	PIN	IMSA-6024-03E

* New Parts

Schm Ref.	PART NO.	Description	
* V4002700	P.C.B.	INPUT(RT)	
* V4002800	P.C.B.	INPUT(L)	
CB5	VQ963200	CN.BS.PIN	11P
CB6	VM859600	CN.BS.PIN	15P
CB9	VP327200	CN	30P
CB10	VQ047500	CN.BS.PIN	20P
CB11	VM859600	CN.BS.PIN	15P
CB13	VP082900	CN.BS.PIN	25P
C1	UB044100	C.CE.M.CHP	0.01uF 50V
C2	UB044220	C.CE.M.CHP	0.022uF 50V
C3	UR818100	C.EL	100uF 6.3V
C4	UA952680	C.MYLAR	680pF 50V
C5	UB012560	C.CE.M.CHP	560pF 50V
C6	UB012560	C.CE.M.CHP	560pF 50V
C7	UB012220	C.CE.M.CHP	220pF 50V
C8	UB012220	C.CE.M.CHP	220pF 50V
C9	UB012560	C.CE.M.CHP	560pF 50V
C10	UB012560	C.CE.M.CHP	560pF 50V
C11	UB012560	C.CE.M.CHP	560pF 50V
C12	UB012560	C.CE.M.CHP	560pF 50V
C13	UB012220	C.CE.M.CHP	220pF 50V
C14	UB012220	C.CE.M.CHP	220pF 50V
C15	UR838100	C.EL	100uF 16V
C16	UB044100	C.CE.M.CHP	0.01uF 50V
C17	UA952680	C.MYLAR	680pF 50V
C18	UR837470	C.EL	47uF 16V
C19	UB044470	C.CE.M.CHP	0.047uF 50V
C20	UB044100	C.CE.M.CHP	0.01uF 50V
C21	UR866100	C.EL	1uF 50V
C22	UR838100	C.EL	100uF 16V
C23	UR838100	C.EL	100uF 16V
C24	UR865100	C.EL	0.1uF 50V
C25	UT652100	C.PP	100pF 100V
C26	UT652100	C.PP	100pF 100V
C27	UA953100	C.MYLAR	1000pF 50V
C28	UT653820	C.PP	8200pF 100V
C29	UA953470	C.MYLAR	4700pF 50V
C30	UR837100	C.EL	10uF 16V
C31	UR847100	C.EL	10uF 25V
C32	UR837220	C.EL	22uF 25V
C33	UR866470	C.EL	4.7uF 50V
C34	UR837220	C.EL	22uF 25V
C35	UR837220	C.EL	22uF 25V
C36	UR866330	C.EL	3.3uF 50V
C37	UA954180	C.MYLAR	0.018uF 50V
C38	FG612220	C.CE	220pF 50V
C39	FG612220	C.CE	220pF 50V
C40	UA954180	C.MYLAR	0.018uF 50V
C41	UR866100	C.EL	1uF 50V
C42	UR837470	C.EL	47uF 16V
C43	UR866470	C.EL	4.7uF 50V
C44	UR866470	C.EL	4.7uF 50V
C45	UA655100	C.MYLAR	0.1uF 50V

* New Parts

GX-700VCD P.C.B. INPUT

Schm Ref.	PART NO.	Description		
C46	UR865470	C.EL	0.47uF	50V
C47	UR866470	C.EL	4.7uF	50V
C48	UR866220	C.EL	2.2uF	50V
C49	UR866220	C.EL	2.2uF	50V
C50	UR866470	C.EL	4.7uF	50V
C51	UR866470	C.EL	4.7uF	50V
C52	UR866470	C.EL	4.7uF	50V
C53	UR866220	C.EL	2.2uF	50V
C54	UA953270	C.MYLAR	2700pF	50V
C55	UR866470	C.EL	4.7uF	50V
C56	UR865220	C.EL	0.22uF	50V
C57	UB044100	C.CE.M.CHP	0.01uF	50V
C58	UR847100	C.EL	10uF	25V
C59	UB052100	C.CE.M.CHP	100pF	50V
C60	UB052100	C.CE.M.CHP	100pF	50V
C61	UA953270	C.MYLAR	2700pF	50V
C62	UR866470	C.EL	4.7uF	50V
C63	UR866470	C.EL	4.7uF	50V
C64	UA655100	C.MYLAR	0.1uF	50V
C65	UR866220	C.EL	2.2uF	50V
C66	UR866220	C.EL	2.2uF	50V
C67	UR866220	C.EL	2.2uF	50V
C68	UR865220	C.EL	0.22uF	50V
C69	UR848100	C.EL	100uF	25V
C70	UR866100	C.EL	1uF	50V
C71	UR837220	C.EL	22uF	25V
C72	UR837100	C.EL	10uF	16V
C73	UR847100	C.EL	10uF	25V
C74	UR847100	C.EL	10uF	25V
C75	UR837220	C.EL	22uF	25V
C76	UR866100	C.EL	1uF	50V
C77	UA655680	C.MYLAR	0.68uF	50V
C78	UA953680	C.MYLAR	6800pF	50V
C79	UA954220	C.MYLAR	0.022uF	50V
C80	UB013220	C.CE.M.CHP	2200pF	50V
C81	UR866100	C.EL	1uF	50V
C82	UA654750	C.MYLAR	0.075uF	50V
C83	UA953220	C.MYLAR	2200pF	50V
C84	UA954680	C.MYLAR	0.068uF	50V
C85	UR847100	C.EL	10uF	25V
C86	UR866100	C.EL	1uF	50V
C87	UR847100	C.EL	10uF	25V
C88	UA953220	C.MYLAR	2200pF	50V
C89	UA654750	C.MYLAR	0.075uF	50V
C90	UA954680	C.MYLAR	0.068uF	50V
C91	UR847100	C.EL	10uF	25V
C92	UB013220	C.CE.M.CHP	2200pF	50V
C93	UR866100	C.EL	1uF	50V
C94	UR847100	C.EL	10uF	25V
C95	UA954220	C.MYLAR	0.022uF	50V
C96	UA655680	C.MYLAR	0.68uF	50V
C97	UA953680	C.MYLAR	6800pF	50V
C98	UR866100	C.EL	1uF	50V

* New Parts

Schm Ref.	PART NO.	Description		
C99	UB052100	C.CE.M.CHP	100pF	50V
C100	UR837100	C.EL	10uF	16V
C101	UB052100	C.CE.M.CHP	100pF	50V
C102	UR837100	C.EL	10uF	16V
C103	VF992600	C.EL	4700uF	5.5V
C104	UB044100	C.CE.M.CHP	0.01uF	50V
C105	UB052100	C.CE.M.CHP	100pF	50V
C106	UB052100	C.CE.M.CHP	100pF	50V
C107	UB245100	C.CE.M.CHP	0.1uF	25V
C108	UB052100	C.CE.M.CHP	100pF	50V
C109	UR866220	C.EL	2.2uF	50V
C110	UB052100	C.CE.M.CHP	100pF	50V
C111	UB052100	C.CE.M.CHP	100pF	50V
C112	UB052100	C.CE.M.CHP	100pF	50V
C113	UB052100	C.CE.M.CHP	100pF	50V
C114	UA654750	C.MYLAR	0.075uF	50V
C115	UR847100	C.EL	10uF	25V
C116	UR866100	C.EL	1uF	50V
C117	UR847100	C.EL	10uF	25V
C118	UR847100	C.EL	10uF	25V
C119	UR866100	C.EL	1uF	50V
C120	UR847100	C.EL	10uF	25V
C121	UA654750	C.MYLAR	0.075uF	50V
C122	UB245100	C.CE.M.CHP	0.1uF	25V
C123	UB245100	C.CE.M.CHP	0.1uF	25V
C124	VJ900300	C.CE.M.CHP	22pF	50V
C125	VJ900300	C.CE.M.CHP	22pF	50V
C126	UB245100	C.CE.M.CHP	0.1uF	25V
C127	UR837100	C.EL	10uF	16V
C128	UR837100	C.EL	10uF	16V
C129	UR837100	C.EL	10uF	16V
C130	UR837100	C.EL	10uF	16V
C131	UR866100	C.EL	1uF	50V
C132	UB051470	C.CE.M.CHP	47pF	50V
C133	UB051470	C.CE.M.CHP	47pF	50V
C134	UN865470	C.EL	0.47uF	50V
C135	UR838100	C.EL	100uF	16V
C136	UR838100	C.EL	100uF	16V
C137	UB051470	C.CE.M.CHP	47pF	50V
C138	UB051470	C.CE.M.CHP	47pF	50V
C139	UR866100	C.EL	1uF	50V
C140	UB245100	C.CE.M.CHP	0.1uF	25V
C141	UB245100	C.CE.M.CHP	0.1uF	25V
C142	UR837100	C.EL	10uF	16V
C143	UR865470	C.EL	0.47uF	50V
C144	UR837100	C.EL	10uF	16V
C145	UR837100	C.EL	10uF	16V
C146	UR837100	C.EL	10uF	16V
C147	UR837220	C.EL	22uF	25V
C148	UB051470	C.CE.M.CHP	47pF	50V
C149	UB051470	C.CE.M.CHP	47pF	50V
C150	UR837220	C.EL	22uF	25V
C151	UR837100	C.EL	10uF	16V

* New Parts

GX-700VCD P.C.B. INPUT

Schm Ref.	PART NO.	Description		
C152	UR837100	C.EL	10uF	16V
C153	UR837100	C.EL	10uF	16V
C154	UR838330	C.EL	330uF	16V
C155	UB012330	C.CE.M.CHP	330pF	50V
C156	UB012330	C.CE.M.CHP	330pF	50V
C157	UR837100	C.EL	10uF	16V
C158	UR837100	C.EL	10uF	16V
C159	UN866100	C.EL	1uF	50V
C160	UB052100	C.CE.M.CHP	100pF	50V
D3	VU992700	DIODE.ZENR	MA8051-H	5.3V
D4	VT332900	DIODE	1SS355	
D5	VT332900	DIODE	1SS355	
D6	VU992900	DIODE.ZENR	MA8056-L	5.4V
D7	VU995100	DIODE.ZENR	MA8091-H	9.4V
D8	VT332900	DIODE	1SS355	
D10	VT332900	DIODE	1SS355	
D11	VV833200	DIODE	1SS380	
D12	VT332900	DIODE	1SS355	
D20	VU995300	DIODE.ZENR	MA8100-L	9.7V
D21	VT332900	DIODE	1SS355	
D22	VU992300	DIODE.ZENR	MA8047-H	4.9V
D23	VU993000	DIODE.ZENR	MA8056-M	5.6V
D24	VU993400	DIODE.ZENR	MA8062-M	6.2V
D25	VU995300	DIODE.ZENR	MA8100-L	9.7V
D26	VV220700	DIODE.SHOT	RB501V-40	
HS1	VN126800	HEAT.SINK	UOT-16C25-MP	
IC1	XF494A00	IC	LB1641	
* IC2	XD864A00	IC	uPC1330HA	
* IC3	XG903A00	IC	TC4052BF MPX	
* IC4	XG903A00	IC	TC4052BF MPX	
IC5	XF293A00	IC	uPD4066G-T1	
IC6	XV473A00	IC	CXA1897Q	
IC7	XV474A00	IC	LC75393E	
IC8	XW069A00	IC	M38199MF-096FP CPU	
IC9	XF291A00	IC	uPC4570G2	
IC10	XG938A00	IC	BA15218N	
IC11	XF291A00	IC	uPC4570G2	
IC21	XF291A00	IC	uPC4570G2	
IC26	XR275A00	IC	BA3835S	
L1	VM547800	COIL.BIAS	105KHz	
L2	GE900780	COIL.BIAS	105KHz	
L3	GE900780	COIL.BIAS	105KHz	
PJ1	VV306900	JACK.PIN	4P	
PJ2	VV307000	JACK.PIN	6P	
* PJ4	VV306800	JACK.PIN	1P	
Q1	VV655700	TR.DGT	DTC144EKA	
Q2	VE613300	TR	2SB1237 Q,R	
Q3	iC174020	TR	2SC1740S R,S	
Q4	VE613300	TR	2SB1237 Q,R	
Q5	VV655300	TR.DGT	DTA144EKA	
Q6	VV655300	TR.DGT	DTA144EKA	
Q7	VV655700	TR.DGT	DTC144EKA	
* Q8	V3752400	TR.DGT	DTC143TKA	

* New Parts

Schm Ref.	PART NO.	Description		
Q9	VV655500	TR.DGT	DTC124EKA	
Q10	VV655500	TR.DGT	DTC124EKA	
Q11	iC174020	TR	2SC1740S R,S	
Q12	iC174020	TR	2SC1740S R,S	
Q13	iC174020	TR	2SC1740S R,S	
Q14	VV655500	TR.DGT	DTC124EKA	
Q15	VV655700	TR.DGT	DTC144EKA	
Q16	VV655500	TR.DGT	DTC124EKA	
Q17	VE613400	TR	2SD1858 Q,R	
Q18	VV655400	TR.DGT	DTC114EKA	
Q19	V3033500	TR.DGT	DTC143XKA	
Q20	VV655300	TR.DGT	DTA144EKA	
Q21	VZ725900	TR	2SD1938F S,T	
Q22	VV655000	TR.DGT	DTA114EKA	
Q23	VZ725900	TR	2SD1938F S,T	
Q24	VZ725900	TR	2SD1938F S,T	
Q25	VK407600	TR	2SC4208A Q,R,S	
Q26	VS883400	TR	2SD2394 E,F	
Q27	VK407600	TR	2SC4208A Q,R,S	
Q28	iA093320	TR	2SA933S Q,R	
Q29	VV655700	TR.DGT	DTC144EKA	
Q30	VV655700	TR.DGT	DTC144EKA	
Q31	VV655700	TR.DGT	DTC144EKA	
Q32	VV655700	TR.DGT	DTC144EKA	
Q33	VK407600	TR	2SC4208A Q,R,S	
Q34	VV655500	TR.DGT	DTC124EKA	
Q35	VV655500	TR.DGT	DTC124EKA	
Q36	VV655500	TR.DGT	DTC124EKA	
R27	VP940100	R.MTL.OXD	33Ω 1W	
R35	HV755150	R.CAR.FP	150Ω 1/4W	
R59	HV754220	R.CAR.FP	22Ω 1/4W	
R66	HV755560	R.CAR.FP	560Ω 1/4W	
R95	HV753560	R.CAR.FP	5.6Ω 1/4W	
R110	HV754680	R.CAR.FP	68Ω 1/4W	
R155	HV754220	R.CAR.FP	22Ω 1/4W	
R156	HV754220	R.CAR.FP	22Ω 1/4W	
R251	HV754220	R.CAR.FP	22Ω 1/4W	
R254	HV754220	R.CAR.FP	22Ω 1/4W	
R258	HV754220	R.CAR.FP	22Ω 1/4W	
R273	HV754220	R.CAR.FP	22Ω 1/4W	
SW1	VU755800	SW.SLIDE	SS029-P2130GB-PC4	
SW2	VU755700	SW.SLIDE	SS029-P012BEB(rt)	
VR1	VJ693600	VR.TRIM	B10KΩ	
VR2	VJ694300	VR.TRIM	B150KΩ	
VR3	VJ694300	VR.TRIM	B150KΩ	
VR4	VJ693600	VR.TRIM	B10KΩ	
VR5	VJ693800	VR.TRIM	B22KΩ	
VR6	VJ693800	VR.TRIM	B22KΩ	
VR7	VJ692900	VR.TRIM	B680Ω	
XL1	VJ802400	RSNR.CE	8MHz	
XL2	VQ328900	RSNR.CRYS	32.768KHz	
	VJ828000	PIN	IMS-A-6024-03E	
	BB071360	SCR.TERM	8.3x13	

* New Parts

GX-700VCD P.C.B. MAIN

Schm Ref.	PART NO.	Description		
	V4266600	P.C.B.	MAIN(RT)	
	V4266700	P.C.B.	MAIN(L)	
CB201	VL845300	CN.BS.PIN	9P	
CB202	VB390700	CN.BS.PIN	11P	
CB203	VL844800	CN.BS.PIN	4P	
CB204	VP206500	HOLDER.FUS	EYF-52BC	
CB205	VL845100	CN.BS.PIN	7P	
CB206	VK026500	CN.BS.PIN	6P	
CB207	Vi878400	CN.BS.PIN	6P	
CB208	VB390300	CN.BS.PIN	7P	
CB209	VP206500	HOLDER.FUS	EYF-52BC	
CB210	VB389800	CN.BS.PIN	2P	
CB212	VP206500	HOLDER.FUS	EYF-52BC(RT)	
CB213	VP206500	HOLDER.FUS	EYF-52BC(RT)	
CB214	Vi878800	CN.BS.PIN	10P	
CB215	VG879900	CN.BS.PIN	2P	
CB216	VP206500	HOLDER.FUS	EYF-52BC	
CB217	VP206500	HOLDER.FUS	EYF-52BC	
C201	UR866470	C.EL	4.7uF	50V
C202	VF466900	C.CE.TUBLR	470pF	50V
C203	VF466900	C.CE.TUBLR	470pF	50V
C204	VF466900	C.CE.TUBLR	470pF	50V
C205	VF466800	C.CE.TUBLR	100pF	50V
C206	VF466800	C.CE.TUBLR	100pF	50V
C207	VF466800	C.CE.TUBLR	100pF	50V
C208	VF466800	C.CE.TUBLR	100pF	50V
C209	UR838330	C.EL	330uF	16V
C210	UR866470	C.EL	4.7uF	50V
C211	UR867470	C.EL	47uF	50V
C212	VG278400	C.CE.TUBLR	220pF	50V
C213	UR867100	C.EL	10uF	50V
C214	UR838100	C.EL	100uF	16V
C215	UR838100	C.EL	100uF	16V
C216	UR867100	C.EL	10uF	50V
C217	VG278400	C.CE.TUBLR	220pF	50V
C218	UR867100	C.EL	10uF	50V
C219	VG278400	C.CE.TUBLR	220pF	50V
C220	UR838100	C.EL	100uF	16V
C221	UR867220	C.EL	22uF	50V
C222	UR867220	C.EL	22uF	50V
C223	VF467300	C.CE.TUBLR	0.01uF	16V
C224	FG650300	C.CE	3pF	50V
C225	UT653220	C.PP	2200pF	100V
C226	UR798100	C.EL	100uF	100V
C227	UT653220	C.PP	2200pF	100V
C228	UR798100	C.EL	100uF	100V
C229	FG650300	C.CE	3pF	50V
C230	FG650300	C.CE	3pF	50V
C231	UR858100	C.EL	100uF	35V
C232	UR897100	C.EL	10uF	100V
C233	UR858100	C.EL	100uF	35V
C234	UR897100	C.EL	10uF	100V
C235	UR866470	C.EL	4.7uF	50V

* New Parts

Schm Ref.	PART NO.	Description		
C236	UA954470	C.MYLAR	0.047uF	50V
C237	UA954470	C.MYLAR	0.047uF	50V
C238	UA954470	C.MYLAR	0.047uF	50V
△ C239	V3671100	C.EL	4700uF	71V
△ C240	V3671100	C.EL	4700uF	71V
C241	UR818100	C.EL	100uF	6.3V
C242	V3671000	C.EL	4700uF	35V
C243	V3671000	C.EL	4700uF	35V
C244	UA953220	C.MYLAR	2200pF	50V
C245	UA953220	C.MYLAR	2200pF	50V
C246	VF467300	C.CE.TUBLR	0.01uF	16V
C247	VF467300	C.CE.TUBLR	0.01uF	16V
C248	UA954100	C.MYLAR	0.01uF	50V
C249	UA954100	C.MYLAR	0.01uF	50V
C250	VR324800	C.MYLAR	0.047uF	100V
C251	VR324800	C.MYLAR	0.047uF	100V
C252	UA954470	C.MYLAR	0.047uF	50V
C253	UA954470	C.MYLAR	0.047uF	50V
C254	UA954100	C.MYLAR	0.01uF	50V
C255	UR739470	C.EL	4700uF	16V
C259	FG644100	C.CE	0.01uF	50V
C260	FG613100	C.CE	1000pF	50V(RT)
C261	UR848470	C.EL	470uF	25V
C262	UR768470	C.EL	470uF	50V(RT)
C263	VJ599100	C.CE.TUBLR	0.1uF	50V
C264	UA954100	C.MYLAR	0.01uF	50V
C265	UA954100	C.MYLAR	0.01uF	50V
△ C266	VS741700	C.CE.SAFTY	0.01uF	275V
C267	UR867100	C.EL	10uF	50V
C268	UR867470	C.EL	47uF	50V
C271	UR867100	C.EL	10uF	50V
C300	UR847100	C.EL	10uF	25V
D201	VG443100	DIODE.ZENR	MTZJ27D	27V
D202	VG440500	DIODE.ZENR	MTZJ13B	13V
D203	VG440500	DIODE.ZENR	MTZJ13B	13V
D204	VG440500	DIODE.ZENR	MTZJ13B	13V
D205	VN008700	DIODE	1SS270A	
D206	VN008700	DIODE	1SS270A	
D207	VN008700	DIODE	1SS270A	
D208	VN008700	DIODE	1SS270A	
D209	VD631600	DIODE	1SS133,176,HSS104	
D210	VG440500	DIODE.ZENR	MTZJ13B	13V
△ D211	VN011400	DIODE.BRG	D5SB20	5A 200V
△ D212	VN011400	DIODE.BRG	D5SB20	5A 200V
△ D213	VN011300	DIODE.BRG	D3SBA20	4A 200V
D214	VD631600	DIODE	1SS133,176,HSS104	
△ D215	VR253700	DIODE.BRG	S1NB20	1.0A 200V
D216	VG440500	DIODE.ZENR	MTZJ13B	13V(RT)
D217	VG440500	DIODE.ZENR	MTZJ13B	13V
△ F201	KB000750	FUSE.MNI	T2.0A	250V
△ F202	KB000790	FUSE	T4.0A	250V(RT)
△ F202	KB001660	FUSE	T1.6A	250V(L)
△ F203	KB001660	FUSE	T1.6A	250V(RT)

* New Parts

GX-700VCD P.C.B. MAIN & EFFECT

GX-700VCD

Schm Ref.	PART NO.	Description
G201	VR463400	TERM.GND D3.5 TP00385
HS201	V2692300	HEAT.SINK BPUE36-30
HS202	VN126800	HEAT.SINK UOT-16C25-MP(RT)
IC201	XW057A00	IC STK496-620Y 80W 3C
L201	VU038100	COIL 1.5uH
L202	VU038100	COIL 1.5uH
Q201	iC287820	TR 2SC2878 A,B
Q202	iC287820	TR 2SC2878 A,B
Q203	iC287820	TR 2SC2878 A,B
△# Q204	VR510800	TR 2SD2396 J,K
△ Q206	VS883300	TR 2SB1565 E,F
△ Q207	VS883300	TR 2SB1565 E,F
Q208	VP883000	TR 2SA893A D,E
Q209	VP883100	TR 2SC1890A D,E
Q210	VP883100	TR 2SC1890A D,E
Q211	VP883100	TR 2SC1890A D,E
Q212	iC287820	TR 2SC2878 A,B
Q213	iC174020	TR 2SC1740S R,S
Q214	iC174020	TR 2SC1740S R,S
Q215	iC174020	TR 2SC1740S R,S
Q216	iC174020	TR 2SC1740S R,S
△# Q217	VR510800	TR 2SD2396 J,K(RT)
Q218	VR510800	TR 2SD2396 J,K
Q219	iC174020	TR 2SC1740S R,S
Q220	VP883000	TR 2SA893A D,E
Q221	iA093320	TR 2SA933S Q,R
Q222	VR402300	TR 2SB647 C,D
△ R222	HV753100	R.CAR.FP 1Ω 1/4W
△ R225	HV753100	R.CAR.FP 1Ω 1/4W
△ R226	HV753100	R.CAR.FP 1Ω 1/4W
R227	VP940400	R.MTL.OXD 100Ω 1W
R230	VP940400	R.MTL.OXD 100Ω 1W
R234	V3158200	R.MTL.PLAT 0.22Ω
R237	V3158200	R.MTL.PLAT 0.22Ω
R238	V3158200	R.MTL.PLAT 0.22Ω
R242	HV754100	R.CAR.FP 10Ω 1/4W
R245	HV754100	R.CAR.FP 10Ω 1/4W
R247	HV754100	R.CAR.FP 10Ω 1/4W
R250	HV754100	R.CAR.FP 10Ω 1/4W
R255	HV754100	R.CAR.FP 10Ω 1/4W
R263	HV754470	R.CAR.FP 47Ω 1/4W
△ R269	HV753100	R.CAR.FP 1Ω 1/4W
△ R270	HV753100	R.CAR.FP 1Ω 1/4W
R274	HV756560	R.CAR.FP 5.6KΩ 1/4W(RT)
R275	HV756560	R.CAR.FP 5.6KΩ 1/4W(RT)
△ R277	HV753100	R.CAR.FP 1Ω 1/4W
R290	HV754220	R.CAR.FP 22Ω 1/4W
RY201	VU161600	RELAY DC OSA-SS-224DM3
△ RY203	V2712300	RELAY DC SDT-S-112LMR
△ SW204	VA961800	VOLT.SELCT ESE-37247-F(RT)
△ T203	XV444A00	TRANS.PWR (RT)
△ T203	XV445A00	TRANS.PWR (L)
TE201	V2996200	TERM.SP 4P CJ-9026-06-0203

* New Parts

Schm Ref.	PART NO.	Description
	VJ828000	PIN IMSA-6024-03E
	BB071360	SCR.TERM 8.3x13
	EP600140	SCR.BND.HD 3x10 MFZN2-BL
	V4003900	P.C.B. EFFECT
* CB2	VB858700	CN.BS.PIN 8P
CB5	VQ045900	CN.BS.PIN 30P
CB6	Vi878100	CN.BS.PIN 3P
CB7	VT707200	L.EMIT TOTX178
CB8	VK024700	CN.BS.PIN 3P
CB301	VF728200	CN.BS.PIN 10P
C1	UR829100	C.EL 1000uF 10V
C2	UB052100	C.CE.M.CHP 100pF 50V
C3	UB052100	C.CE.M.CHP 100pF 50V
C4	UR829100	C.EL 1000uF 10V
C5	UR837100	C.EL 10uF 16V
C6	UR837100	C.EL 10uF 16V
C7	UR837100	C.EL 10uF 16V
C8	UA655100	C.MYLAR 0.1uF 50V
C9	UR847100	C.EL 10uF 25V
C10	UR837470	C.EL 47uF 16V
C11	UA655470	C.MYLAR 0.47uF 50V
C12	UR847100	C.EL 10uF 25V
C13	UA655100	C.MYLAR 0.1uF 50V
C14	UR865470	C.EL 0.47uF 50V
C15	UR866470	C.EL 4.7uF 50V
C16	UR865470	C.EL 0.47uF 50V
C17	UR866470	C.EL 4.7uF 50V
C18	UR865220	C.EL 0.22uF 50V
C19	UR866330	C.EL 3.3uF 50V
C20	UA655150	C.MYLAR 0.15uF 50V
C21	UA655150	C.MYLAR 0.15uF 50V
C22	UR866330	C.EL 3.3uF 50V
C23	UR865220	C.EL 0.22uF 50V
C24	UR866470	C.EL 4.7uF 50V
C25	UR865470	C.EL 0.47uF 50V
C26	UR866470	C.EL 4.7uF 50V
C27	UR865470	C.EL 0.47uF 50V
C28	UA655100	C.MYLAR 0.1uF 50V
C29	UR847100	C.EL 10uF 25V
C30	UR847100	C.EL 10uF 25V
C31	UA655100	C.MYLAR 0.1uF 50V
C32	UR847100	C.EL 10uF 25V
C33	UR847100	C.EL 10uF 25V
C34	UR838220	C.EL 220uF 16V
C35	UB013100	C.CE.M.CHP 1000pF 50V
C36	UR838330	C.EL 330uF 16V
C37	UA954470	C.MYLAR 0.047uF 50V
C38	UA954220	C.MYLAR 0.022uF 50V
C39	UA952680	C.MYLAR 680pF 50V
C40	UR838220	C.EL 220uF 16V

* New Parts

GX-700VCD P.C.B. EFFECT

Schm Ref.	PART NO.	Description		
C41	UA954820	C.MYLAR	0.082uF	50V
C42	UA953330	C.MYLAR	3300pF	50V
C43	UA954820	C.MYLAR	0.082uF	50V
C44	UR865470	C.EL	0.47uF	50V
* C45	UR865330	C.EL	0.33uF	50V
C46	UR847100	C.EL	10uF	25V
C47	UR847100	C.EL	10uF	25V
C48	UR847100	C.EL	10uF	25V
C49	UR866220	C.EL	2.2uF	50V
C50	UR838220	C.EL	220uF	16V
C51	UR866470	C.EL	4.7uF	50V
C52	UA954100	C.MYLAR	0.01uF	50V
C53	UA953470	C.MYLAR	4700pF	50V
C54	UR838220	C.EL	220uF	16V
C55	UR838220	C.EL	220uF	16V
C56	UR847100	C.EL	10uF	25V
C57	UR866470	C.EL	4.7uF	50V
C58	UB052100	C.CE.M.CHP	100pF	50V
C59	UB052100	C.CE.M.CHP	100pF	50V
C60	UB052100	C.CE.M.CHP	100pF	50V
C61	UR837100	C.EL	10uF	16V
C62	UA952470	C.MYLAR	470pF	50V
C63	UR847100	C.EL	10uF	25V
C64	UA953150	C.MYLAR	1500pF	50V
C65	UA952560	C.MYLAR	560pF	50V
C66	UR837100	C.EL	10uF	16V
C67	UB052100	C.CE.M.CHP	100pF	50V
C69	UB052100	C.CE.M.CHP	100pF	50V
C70	UR837100	C.EL	10uF	16V
C71	UR847100	C.EL	10uF	25V
C72	UR837100	C.EL	10uF	16V
C73	UB052100	C.CE.M.CHP	100pF	50V
C74	UB012220	C.CE.M.CHP	220pF	50V
C75	UB012220	C.CE.M.CHP	220pF	50V
C76	UR837100	C.EL	10uF	16V
C77	UR837100	C.EL	10uF	16V
C78	UR865220	C.EL	0.22uF	50V
C79	UR837100	C.EL	10uF	16V
C80	UR865220	C.EL	0.22uF	50V
C81	UR837100	C.EL	10uF	16V
C82	UB012220	C.CE.M.CHP	220pF	50V
C83	UB012220	C.CE.M.CHP	220pF	50V
C84	UB052100	C.CE.M.CHP	100pF	50V
C85	UR837100	C.EL	10uF	16V
C86	UB045100	C.CE.M.CHP	0.1uF	50V
C90	UR837100	C.EL	10uF	16V
C300	UB012220	C.CE.M.CHP	220pF	50V
C301	UB051220	C.CE.M.CHP	22pF	50V
C302	UB052100	C.CE.M.CHP	100pF	50V
C303	UA655220	C.MYLAR	0.22uF	50V
C304	UR847220	C.EL	22uF	25V
C305	UB045100	C.CE.M.CHP	0.1uF	50V
C306	UR867100	C.EL	10uF	50V

* New Parts

Schm Ref.	PART NO.	Description		
C307	UR828220	C.EL	220uF	10V
C308	UR867100	C.EL	10uF	50V
C309	UA954100	C.MYLAR	0.01uF	50V
C310	UA954100	C.MYLAR	0.01uF	50V
C311	UA954100	C.MYLAR	0.01uF	50V
C313	UB044100	C.CE.M.CHP	0.01uF	50V
C314	UA954100	C.MYLAR	0.01uF	50V
C315	UA953220	C.MYLAR	2200pF	50V
C316	UA953220	C.MYLAR	2200pF	50V
D300	VT332900	DIODE	1SS355	
D301	VT332900	DIODE	1SS355	
D302	VU992300	DIODE.ZENR	MA8047-H	4.9V
D303	VT332900	DIODE	1SS355	
IC1	XH436A00	IC	LA7956	
IC2	iG054600	IC	HD14053BP	MPX
* IC5	XV873A00	IC	LV1035M	
IC7	XB247A00	IC	uPC4570HA	
IC8	XB247A00	IC	uPC4570HA	
IC9	XB247A00	IC	uPC4570HA	
IC10	XS884A00	IC	LC7536Y	
IC11	XV466A00	IC	LM1875T	POWER
L1	VD473700	COIL	60uH	
L2	VU038100	COIL	1.5uH	
L3	VU038100	COIL	1.5uH	
PJ1	VV307100	JACK.PIN	4P	
Q1	iC181510	TR	2SC1815 Y	
Q2	iC181510	TR	2SC1815 Y	
Q3	iC174020	TR	2SC1740S R,S	
Q4	VG722000	TR.DGT	DTC144ES	
Q5	VG722000	TR.DGT	DTC144ES	
Q7	iC287820	TR	2SC2878 A,B	
R13	HV753220	R.CAR.FP	2.2Ω	1/4W
R27	HV754220	R.CAR.FP	22Ω	1/4W
R37	HV754220	R.CAR.FP	22Ω	1/4W
R43	HV754220	R.CAR.FP	22Ω	1/4W
R44	HV754220	R.CAR.FP	22Ω	1/4W
R303	HV753680	R.CAR.FP	6.8Ω	1/4W
R305	HV754470	R.CAR.FP	47Ω	1/4W
R307	HV753220	R.CAR.FP	2.2Ω	1/4W
R310	HV753470	R.CAR.FP	4.7Ω	1/4W
R311	HV754100	R.CAR.FP	10Ω	1/4W
R312	HV753220	R.CAR.FP	2.2Ω	1/4W
R314	HV753220	R.CAR.FP	2.2Ω	1/4W
RY1	VU161600	RELAY	DC OSA-SS-224DM3	
TE1	VU900200	TERM.SP	6P	
XL1	VJ802400	RSNR.CE	8MHz	
	VJ828000	PIN	IMSA-6024-03E	
	BB071360	SCR.TERM	8.3x13	

* New Parts

GX-700VCD P.C.B. OPERATION

GX-700VCD

Schm Ref.	PART NO.	Description
	V4003400	P.C.B. OPERATION
CB801	VM929900	CN.BS.PIN 15P
CB804	VQ045400	CN.BS.PIN 25P
CB805	VB858500	CN.BS.PIN 6P
CB806	VQ045000	CN.BS.PIN 20P
C801	UR866100	C.EL 1uF 50V
C803	UA655150	C.MYLAR 0.15uF 50V
C804	UR866100	C.EL 1uF 50V
C805	UR866220	C.EL 2.2uF 50V
C806	UR846470	C.EL 4.7uF 25V
C807	UB245100	C.CE.M.CHP 0.1uF 25V
C808	UB044100	C.CE.M.CHP 0.01uF 50V
C809	UA954100	C.MYLAR 0.01uF 50V
C810	UB012220	C.CE.M.CHP 220pF 50V
C811	UR847470	C.EL 47uF 25V
C812	UR847470	C.EL 47uF 25V
C813	UR866100	C.EL 1uF 50V
C814	UR837100	C.EL 10uF 16V
C815	UR837100	C.EL 10uF 16V
C816	UR866100	C.EL 1uF 50V
C817	UA953100	C.MYLAR 1000pF 50V
C818	UR837100	C.EL 10uF 16V
C819	UB245100	C.CE.M.CHP 0.1uF 25V
C820	UA953470	C.MYLAR 4700pF 50V
C821	UA655100	C.MYLAR 0.1uF 50V
C822	UR818100	C.EL 100uF 6.3V
C823	UA954680	C.MYLAR 0.068uF 50V
C824	UR866100	C.EL 1uF 50V
C825	UR837100	C.EL 10uF 16V
C826	UN866220	C.EL 2.2uF 50V
C827	UA953100	C.MYLAR 1000pF 50V
C828	UA954680	C.MYLAR 0.068uF 50V
C829	UR846470	C.EL 4.7uF 25V
C830	UN866220	C.EL 2.2uF 50V
C831	UR817470	C.EL 47uF 6.3V
C832	UR866100	C.EL 1uF 50V
C833	UR866100	C.EL 1uF 50V
C834	UR866100	C.EL 1uF 50V
C835	UR866220	C.EL 2.2uF 50V
C836	UR866100	C.EL 1uF 50V
C837	UR866100	C.EL 1uF 50V
C838	UA953470	C.MYLAR 4700pF 50V
C839	UA655100	C.MYLAR 0.1uF 50V
C840	UA953820	C.MYLAR 8200pF 50V
C841	UB012220	C.CE.M.CHP 220pF 50V
C842	UB044470	C.CE.M.CHP 0.047uF 50V
C843	UB245100	C.CE.M.CHP 0.1uF 25V
C844	UB044470	C.CE.M.CHP 0.047uF 50V
C845	UB245100	C.CE.M.CHP 0.1uF 25V
C846	UR866100	C.EL 1uF 50V
C847	UR866100	C.EL 1uF 50V
C848	UA953220	C.MYLAR 2200pF 50V
C849	UA953220	C.MYLAR 2200pF 50V

* New Parts

Schm Ref.	PART NO.	Description
C850	UA953680	C.MYLAR 6800pF 50V
C851	UA953680	C.MYLAR 6800pF 50V
C855	UR837100	C.EL 10uF 16V
C858	UR837100	C.EL 10uF 16V
C859	UR818100	C.EL 100uF 6.3V
C860	UR818100	C.EL 100uF 6.3V
C861	UR837100	C.EL 10uF 16V
C862	UR837100	C.EL 10uF 16V
C863	UB012270	C.CE.M.CHP 270pF 50V
C864	UB012270	C.CE.M.CHP 270pF 50V
C868	UA953820	C.MYLAR 8200pF 50V
C870	UA953820	C.MYLAR 8200pF 50V
C872	UB013100	C.CE.M.CHP 1000pF 50V
C873	UB013100	C.CE.M.CHP 1000pF 50V
C874	UR818100	C.EL 100uF 6.3V
C875	UB045100	C.CE.M.CHP 0.1uF 50V
C876	UB052100	C.CE.M.CHP 100pF 50V
C877	UM388100	C.EL 100uF 10V
C878	UR866470	C.EL 4.7uF 50V
C879	UR866470	C.EL 4.7uF 50V
C880	UR866470	C.EL 4.7uF 50V
C881	UB045100	C.CE.M.CHP 0.1uF 50V
C890	UR837100	C.EL 10uF 16V
C901	UB052100	C.CE.M.CHP 100pF 50V
C902	UB245100	C.CE.M.CHP 0.1uF 25V
D802	VS132300	LED(re) SLR-325VCT31
D803	VR711400	LED(gr) SLR-325MC
D804	VU992900	DIODE.ZENR MA8056-L 5.4V
D810	V3253600	LED(bu) SELU1E50CM
IC801	XV476A00	IC M65853FP
IC802	XB247A00	IC uPC4570HA
IC806	XB247A00	IC uPC4570HA
IC810	XB247A00	IC uPC4570HA
IC811	XJ757A00	IC NJM78L05A-T3
IC814	XT952A00	IC YSS247-D
IC815	XW059A00	IC M66004MASP
JK801	VT941600	JACK.MNI SW HTJ-035-17AB
JK802	VT941600	JACK.MNI SW HTJ-035-17AB
JK803	VT941600	JACK.MNI SW HTJ-035-17AB
Q801	iC287820	TR 2SC2878 A,B
Q802	iC287820	TR 2SC2878 A,B
Q803	iC174020	TR 2SC1740S R,S
Q804	iC174020	TR 2SC1740S R,S
Q805	iA093320	TR 2SA933S Q,R
Q806	iC174020	TR 2SC1740S R,S
R817	HV754330	R.CAR.FP 33Ω 1/4W
R822	HV754330	R.CAR.FP 33Ω 1/4W
R828	HV754330	R.CAR.FP 33Ω 1/4W
R829	HV754330	R.CAR.FP 33Ω 1/4W
R830	HV754680	R.CAR.FP 68Ω 1/4W
R831	HV754680	R.CAR.FP 68Ω 1/4W
R846	HV754390	R.CAR.FP 39Ω 1/4W
R851	HV754390	R.CAR.FP 39Ω 1/4W

* New Parts

GX-700VCD P.C.B. OPERATION & TUNER

Schm Ref.	PART NO.	Description		
R894	HV755100	R.CAR.FP	100Ω	1/4W
R895	HV755100	R.CAR.FP	100Ω	1/4W
R951	HV754220	R.CAR.FP	22Ω	1/4W
SW802	VG392900	SW.TACT	SKHVAA	
SW803	VG392900	SW.TACT	SKHVAA	
SW804	VG392900	SW.TACT	SKHVAA	
SW805	VG392900	SW.TACT	SKHVAA	
SW806	VG392900	SW.TACT	SKHVAA	
SW807	VG392900	SW.TACT	SKHVAA	
SW808	VG392900	SW.TACT	SKHVAA	
SW809	VG392900	SW.TACT	SKHVAA	
SW812	VG392900	SW.TACT	SKHVAA	
SW813	VG392900	SW.TACT	SKHVAA	
SW814	VG392900	SW.TACT	SKHVAA	
SW815	VG392900	SW.TACT	SKHVAA	
SW816	VG392900	SW.TACT	SKHVAA	
SW817	VG392900	SW.TACT	SKHVAA	
SW818	VG392900	SW.TACT	SKHVAA	
SW820	VG392900	SW.TACT	SKHVAA	
SW821	VG392900	SW.TACT	SKHVAA	
SW822	VG392900	SW.TACT	SKHVAA	
SW823	VG392900	SW.TACT	SKHVAA	
SW824	VG392900	SW.TACT	SKHVAA	
SW825	VT941400	SW.RT.ENC	EC16B24304	
SW826	VG392900	SW.TACT	SKHVAA	
SW827	VG392900	SW.TACT	SKHVAA	
SW828	VG392900	SW.TACT	SKHVAA	
SW829	VG392900	SW.TACT	SKHVAA	
SW830	VG392900	SW.TACT	SKHVAA	
SW831	VG392900	SW.TACT	SKHVAA	
SW832	VG392900	SW.TACT	SKHVAA	
SW833	VG392900	SW.TACT	SKHVAA	
SW834	VG392900	SW.TACT	SKHVAA	
SW835	VG392900	SW.TACT	SKHVAA	
SW836	VG392900	SW.TACT	SKHVAA	
U801	V2856200	L.DTCT	PIC-28043TH2	
V801	V2959000	FL.DSPLY	16-BT-63GK	
VR801	V2969300	VR	A10KΩ	
VR802	V2969400	VR	B50KΩ	
VR804	V2969500	VR	B100KΩ	
	VJ828000	PIN	IMSA-6024-03E	
	VU351500	SPACER	FL	
	V3112800	SHEET.FL		
	V3281500	SPACER.LED	LDS-20K	
	V4000200	P.C.B./CHP	TUNER/TU-02(RT)	
	V4000500	P.C.B./CHP	TUNER/TU-02(L)	
CB1	VQ961400	CN.BS.PIN	11P	
C1	UB044100	C.CE.M.CHP	0.01uF	50V
C2	UR838100	C.EL	100uF	16V
C3	UB044100	C.CE.M.CHP	0.01uF	50V

* New Parts

Schm Ref.	PART NO.	Description		
C4	UR865220	C.EL	0.22uF	50V
C5	UB044100	C.CE.M.CHP	0.01uF	50V
C6	UB044100	C.CE.M.CHP	0.01uF	50V
C7	UB044100	C.CE.M.CHP	0.01uF	50V
C8	UB044100	C.CE.M.CHP	0.01uF	50V
C9	UB044470	C.CE.M.CHP	0.047uF	50V
C10	VA760500	C.CE	8pF	50V
C11	UR837100	C.EL	10uF	16V
C12	UB044100	C.CE.M.CHP	0.01uF	50V
C13	UR837470	C.EL	47uF	16V
C14	UB044470	C.CE.M.CHP	0.047uF	50V
C15	UB044100	C.CE.M.CHP	0.01uF	50V
C16	UB044470	C.CE.M.CHP	0.047uF	50V
C17	UR866100	C.EL	1uF	50V
C18	UR865470	C.EL	0.47uF	50V
C19	UR866100	C.EL	1uF	50V
C20	UR866100	C.EL	1uF	50V
C21	UB045100	C.CE.M.CHP	0.1uF	50V
C22	UB044470	C.CE.M.CHP	0.047uF	50V
C23	UR866220	C.EL	2.2uF	50V
C24	UR837330	C.EL	33uF	16V
C25	UB044470	C.CE.M.CHP	0.047uF	50V
C26	UR866330	C.EL	3.3uF	50V
C27	UB044470	C.CE.M.CHP	0.047uF	50V
C28	UR837220	C.EL	22uF	25V
C29	UB014270	C.CE.M.CHP	0.027uF	50V
C30	UB012680	C.CE.M.CHP	680pF	50V
C31	UR837100	C.EL	10uF	16V
C32	UA654430	C.MYLAR	0.043uF	50V(RT)
C32	UA954270	C.MYLAR	0.027uF	50V(L)
C33	UA654430	C.MYLAR	0.043uF	50V(RT)
C33	UA954270	C.MYLAR	0.027uF	50V(L)
C34	UR837100	C.EL	10uF	16V
C35	UR837100	C.EL	10uF	16V
C36	UR866470	C.EL	4.7uF	50V
C37	UR866470	C.EL	4.7uF	50V
C38	UB013270	C.CE.M.CHP	2700pF	50V
C39	UB013270	C.CE.M.CHP	2700pF	50V
C40	UB044100	C.CE.M.CHP	0.01uF	50V
C41	UR837100	C.EL	10uF	16V
C57	UR817470	C.EL	47uF	6.3V
C58	UR817470	C.EL	47uF	6.3V
C59	UR838100	C.EL	100uF	16V
C60	UB052100	C.CE.M.CHP	100pF	50V
C61	UR866100	C.EL	1uF	50V
C62	UR837100	C.EL	10uF	16V
C63	VJ899500	C.CE.M.CHP	10pF	50V
C64	VJ899500	C.CE.M.CHP	10pF	50V
C65	UB052100	C.CE.M.CHP	100pF	50V
D1	VU995000	DIODE.ZENR	MA8091-M	9.1V
D2	VT332900	DIODE	1SS355	
D3	VT332900	DIODE	1SS355	
D4	VT332900	DIODE	1SS355	

* New Parts

CHIP RESISTOR

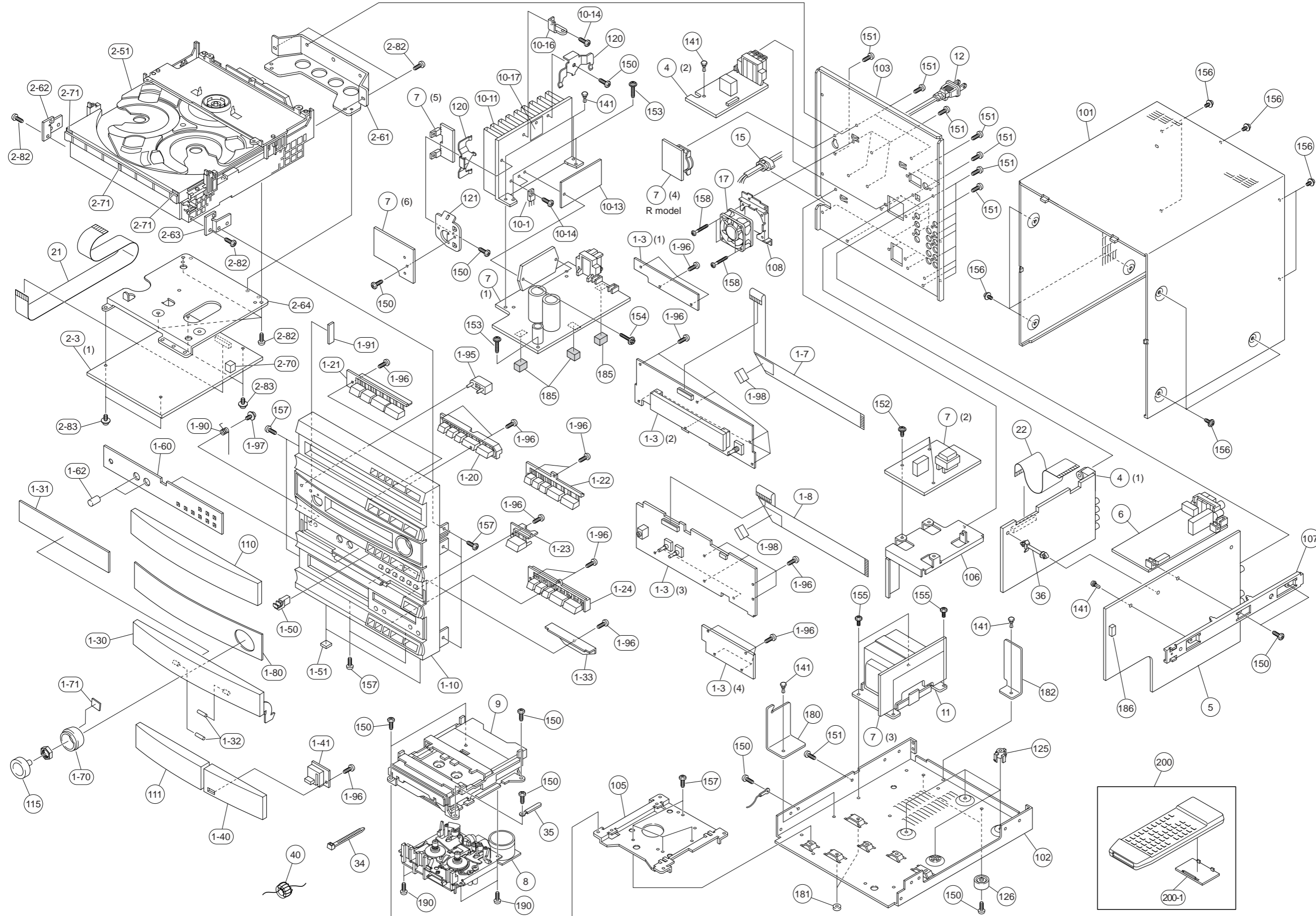
Schm Ref.	PART NO.	Description		
	RD250000	R.CAR.CHP	0Ω	1/10W
	RD253100	R.CAR.CHP	1Ω	1/10W
	RD253220	R.CAR.CHP	2.2Ω	1/10W
*	RD253470	R.CAR.CHP	4.7Ω	1/10W
	RD254100	R.CAR.CHP	10Ω	1/10W
	RD254330	R.CAR.CHP	33Ω	1/10W
	RD254510	R.CAR.CHP	51Ω	1/10W
	RD254680	R.CAR.CHP	68Ω	1/10W
	RD254750	R.CAR.CHP	75Ω	1/10W
	RD255100	R.CAR.CHP	100Ω	1/10W
	RD255120	R.CAR.CHP	120Ω	1/10W
	RD255220	R.CAR.CHP	220Ω	1/10W
	RD255270	R.CAR.CHP	270Ω	1/10W
	RD255330	R.CAR.CHP	330Ω	1/10W
	RD255360	R.CAR.CHP	360Ω	1/10W
	RD255430	R.CAR.CHP	430Ω	1/10W
	RD255470	R.CAR.CHP	470Ω	1/10W
	RD255510	R.CAR.CHP	510Ω	1/10W
	RD255560	R.CAR.CHP	560Ω	1/10W
	RD255680	R.CAR.CHP	680Ω	1/10W
	RD256100	R.CAR.CHP	1KΩ	1/10W
	RD256120	R.CAR.CHP	1.2KΩ	1/10W
	RD256150	R.CAR.CHP	1.5KΩ	1/10W
	RD256180	R.CAR.CHP	1.8KΩ	1/10W
	RD256200	R.CAR.CHP	2KΩ	1/10W
	RD256220	R.CAR.CHP	2.2KΩ	1/10W
	RD256240	R.CAR.CHP	2.4KΩ	1/10W
	RD256270	R.CAR.CHP	2.7KΩ	1/10W
	RD256300	R.CAR.CHP	3KΩ	1/10W
	RD256330	R.CAR.CHP	3.3KΩ	1/10W
	RD256390	R.CAR.CHP	3.9KΩ	1/10W
	RD256430	R.CAR.CHP	4.3KΩ	1/10W
	RD256470	R.CAR.CHP	4.7KΩ	1/10W
	RD256510	R.CAR.CHP	5.1KΩ	1/10W
	RD256560	R.CAR.CHP	5.6KΩ	1/10W
	RD256620	R.CAR.CHP	6.2KΩ	1/10W
	RD256680	R.CAR.CHP	6.8KΩ	1/10W
	RD256820	R.CAR.CHP	8.2KΩ	1/10W
	RD256910	R.CAR.CHP	9.1KΩ	1/10W
	RD257100	R.CAR.CHP	10KΩ	1/10W
	RD257120	R.CAR.CHP	12KΩ	1/10W
	RD257150	R.CAR.CHP	15KΩ	1/10W
	RD257180	R.CAR.CHP	18KΩ	1/10W
	RD257200	R.CAR.CHP	20KΩ	1/10W
	RD257220	R.CAR.CHP	22KΩ	1/10W
	RD257270	R.CAR.CHP	27KΩ	1/10W
	RD257300	R.CAR.CHP	30KΩ	1/10W
	RD257330	R.CAR.CHP	33KΩ	1/10W
	RD257390	R.CAR.CHP	39KΩ	1/10W
	RD257430	R.CAR.CHP	43KΩ	1/10W
	RD257470	R.CAR.CHP	47KΩ	1/10W
	RD257510	R.CAR.CHP	51KΩ	1/10W
	RD257560	R.CAR.CHP	56KΩ	1/10W

* New Parts

Schm Ref.	PART NO.	Description		
	RD257680	R.CAR.CHP	68KΩ	1/10W
	RD257750	R.CAR.CHP	75KΩ	1/10W
	RD257820	R.CAR.CHP	82KΩ	1/10W
	RD257910	R.CAR.CHP	91KΩ	1/10W
	RD258100	R.CAR.CHP	100KΩ	1/10W
	RD258120	R.CAR.CHP	120KΩ	1/10W
	RD258150	R.CAR.CHP	150KΩ	1/10W
	RD258180	R.CAR.CHP	180KΩ	1/10W
	RD258220	R.CAR.CHP	220KΩ	1/10W
	RD258470	R.CAR.CHP	470KΩ	1/10W
	RD259100	R.CAR.CHP	1MΩ	1/10W
	RD259220	R.CAR.CHP	2.2MΩ	1/10W
	RD259750	R.CAR.CHP	7.5MΩ	1/10W

* New Parts

■ GX-700 EXPLODED VIEW



■ GX-700 MECHANICAL PARTS

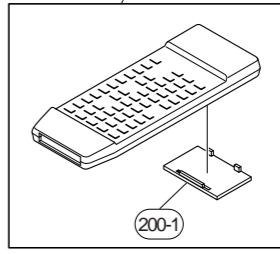
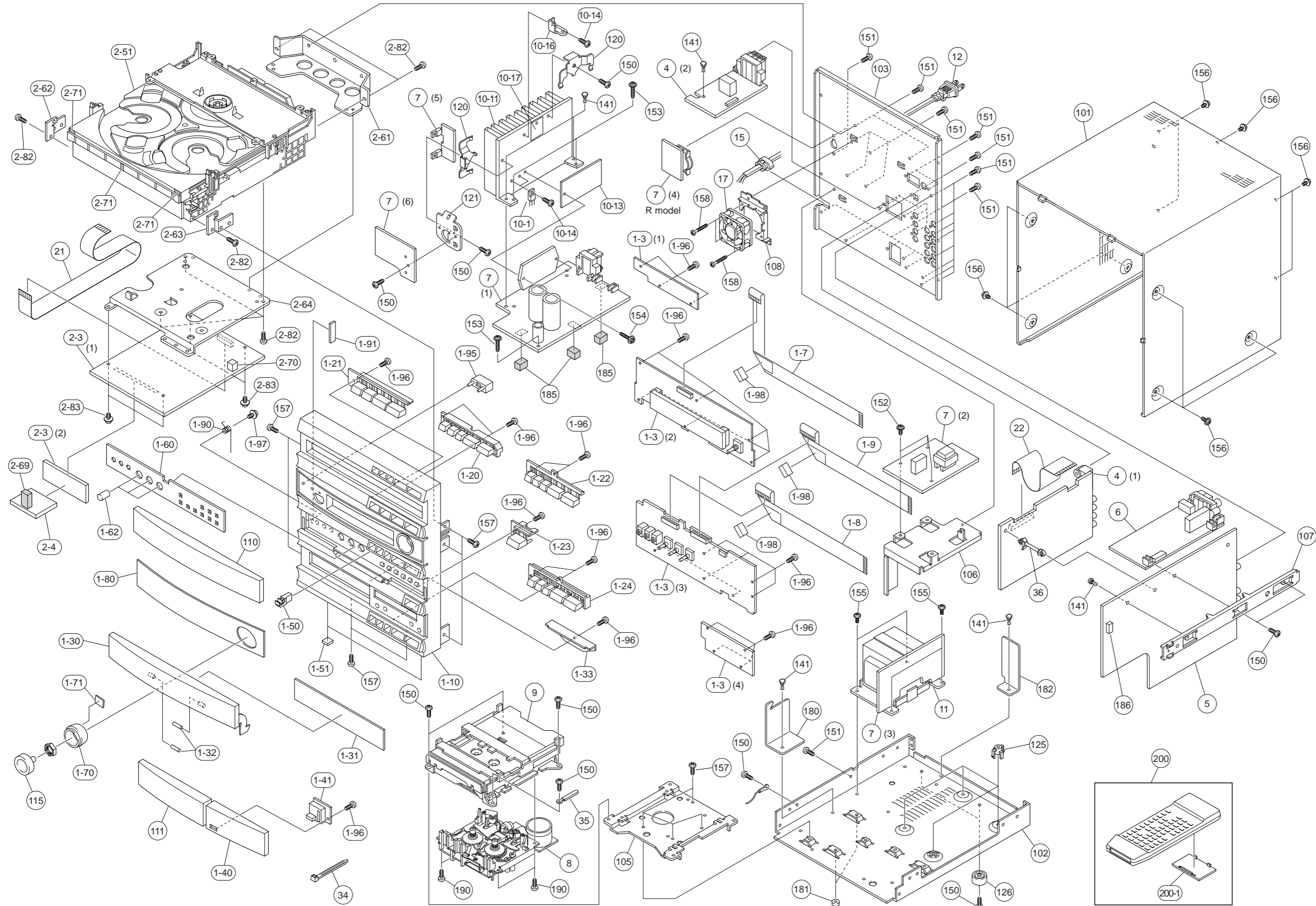
Ref. No.	PART NO.	Description	Remarks	Markets
* 1-3	V4003100	P.C.B. ASS'Y	OPERATION	
* 1-7	V3728300	BAN-CARD	25P 380mm	
1-8	MF125300	FLEXIBLE FLAT CABLE C&C	25P 300mm	
* 1-10	V3108700	FRONT PANEL		(UCRA)
* 1-10	V3108800	FRONT PANEL-RDS		(BG)
* 1-20	V3109600	BUTTON	5P-CD	
* 1-21	V3110400	BUTTON	4P-CD	
* 1-22	V3110300	BUTTON	5P-INPUT	
* 1-23	V3110000	BUTTON	1P-STANDBY	
* 1-24	V3109700	BUTTON	5P-OPERATION	
* 1-30	V3223000	LID/PANEL		(UCRA)
* 1-30	V3223100	LID/PANEL		(BG)
* 1-31	V3112100	SHEET	LID	
* 1-32	V3263300	SPRING PIN	SUS 2x16mm	
* 1-33	V3188400	STOPPER, PIN		
* 1-40	V3111700	LID	1H	
* 1-41	V3109800	BUTTON	1P-EJ	
* 1-50	V3263200	MINI SIDE ROCK	091Y	
1-51	VS010000	CUSHION, LEG		
* 1-60	V3112200	PLATE	SP	(UCRA)
* 1-60	V3112300	PLATE	SP-RDS	(BG)
* 1-62	V3110800	KNOB	D10	
* 1-70	V3237100	LENS, KNOB		
* 1-71	V3269700	REFLECTOR	LED	
* 1-80	V3113500	WINDOW, FL		
* 1-90	V3267500	SPRING	D6T	
* 1-91	V3272000	PAD, FRICTION		
* 1-95	V3112000	LENS	2P	
1-96	VD435300	BIND HEAD P-TITE SCREW	2.6x8 FCRM3-BL	
1-97	VA775100	PW HEAD P-TITE SCREW	3x8-10 FCRM3-BL	
* 1-98	V3750600	SUPPORT	FFC	
* 2-3	V4003600	P.C.B. ASS'Y	CD	
2-51	VU638400	CDC MECHANISM UNIT	YMHB310	
2-61	VU353900	FRAME	REAR	
2-62	VU354100	FRAME	F-L	
2-63	VU354200	FRAME	F-R	
2-64	VU915700	FRAME	PCB	
2-70	VQ861500	CUSHION	SHEET	
* 2-71	V4443400	SPACER, LID		
2-82	EP630220	BIND HEAD P-TITE SCREW	3x8 ZMC2-BL	
2-83	VT669300	PW HEAD B-TITE SCREW	3x8-8 MFC2	
* 4	V4003800	P.C.B. ASS'Y	EFFECT	
* 5	V4002300	P.C.B. ASS'Y	INPUT	(UC)
* 5	V4002400	P.C.B. ASS'Y	INPUT	(R)
* 5	V4002500	P.C.B. ASS'Y	INPUT	(A)
* 5	V4002600	P.C.B. ASS'Y	INPUT	(BG)
* 6	V4000200	P.C.B. ASS'Y	TUNER/TU-02	(UCR)
* 6	V4000300	P.C.B. ASS'Y	TUNER/TU-02	(A)
* 6	V4000400	P.C.B. ASS'Y	TUNER/TU-02	(BG)
* 7	V4001300	P.C.B. ASS'Y	MAIN	(UC)
* 7	V4001400	P.C.B. ASS'Y	MAIN	(R)
* 7	V4001500	P.C.B. ASS'Y	MAIN	(ABG)
* 8	AAX07650	CASSETTE DECK MECH. UNIT		F511638
* 9	AAX07660	LOADING UNIT		F511630
# 10-1	VR510800	TRANSISTOR	2SD2396 J,K	Q204,218
* 10-11	V3621800	HEAT SINK		
* 10-13	V3542000	RADIATION SHEET	61x90 TBM-51W	
10-14	EP600830	BIND HEAD B-TITE SCREW	3x8 FCRM3-BL	
10-16	VU555400	SUPPORT, HSP		

* New Parts

Ref. No.	PART NO.	Description	Remarks	Markets
10-17	VV849300	SHEET	19x24	
△ 11	XW019A00	POWER TRANSFORMER		(UC)
△ 11	XW020A00	POWER TRANSFORMER		(R)
△ 11	XW021A00	POWER TRANSFORMER		(A)
△ 11	XW022A00	POWER TRANSFORMER		(BG)
△ 12	V2296800	POWER CORD ASS'Y		(A)
△ 12	V2363800	POWER CORD ASS'Y		(UC)
△ 12	VN363700	POWER CORD ASS'Y		(G)
△ 12	VV437300	POWER CORD ASS'Y		(B)
△ 12	VZ542500	POWER CORD ASS'Y		(R)
15	V2438700	CORD STOPPER	10P1	
* 17	V3316600	DC BRUSHLESS FAN	2410ML-05W-B40-T14	
21	MF115300	FLEXIBLE FLAT CABLE C&C	15P 300mm	
* 22	MF130070	FLEXIBLE FLAT CABLE	30P 70mm	
34	VU590000	BINDING TIE	CBTD001B	
35	CB836200	BINDING TIE	S-70B	
* 36	V3263100	SUPPORT, P.C.B.	2P85	
40	VB933800	FERRITE CORE	BP53RB310190NOA	(BG)
* 101	V3505700	TOP COVER		
* 102	V3104200	CHASSIS, MAIN		
* 103	V3105200	REAR PANEL		(UC)
* 103	V3105400	REAR PANEL		(R)
* 103	V3105500	REAR PANEL		(A)
* 103	V3105700	REAR PANEL		(BG)
* 105	V3107000	CHASSIS, CASSETTE		
* 106	V3107100	FRAME, TRANSFORMER		
* 107	V3107400	FRAME, SIDE		
108	VV194200	FRAME	FAN	
* 110	V3110900	LID	CD	
* 111	V3111300	LID	CASSETTE	
* 115	V3110600	KNOB	D32	
120	V2847700	SUPPORT, IC		
* 121	V3737600	SUPPORT, PWB		
125	VR264400	SPACER	H8	
126	VS009900	LEG	22x12.5	
141	VQ368600	PUSH RIVET	P3555-B	
150	EP600830	BIND HEAD B-TITE SCREW	3x8 FCRM3-BL	
151	VN413300	BIND HEAD BONDING B-T. SCREW	3x8 MFZN2-BL	
152	VT669300	PW HEAD B-TITE SCREW	3x8-8 MFC2	
153	VT669400	PW HEAD B-TITE SCREW	3x15-8 MFC2	
154	VK865300	HEX. HEAD TAP. SCREW WITH WS	3x18 FCRM3-BL	
155	V2728500	BIND HEAD S-TITE SCREW	4x7 MFZN2-BL	
156	VE529700	PW HEAD B-TITE SCREW	3x6-8 FCRM3-BL	
157	EP600130	BIND HEAD B-TITE SCREW	3x6 ZMC2-Y	
158	VV220300	BIND HEAD B-TITE SCREW	3x30 MFZN2-BL	
* 180	V4096200	SHEET, HANGER		
* 181	V4095100	PAD	SCREW	
* 182	V4175200	SHEET, REAR		(RBG)
185	V2879500	SPACER PCB-M		
186	VS936800	DAMPER	3x5x10	
190	EP600290	BIND HEAD P-TITE SCREW	3x6 ZMC2-Y	
		ACCESSORIES		
* 200	V3191800	REMOTE CONTROL TRANSMITTER	SBAN20184A	
* 200-1	AAX03320	LID	35x55BLALPS	
	VQ147100	ANTENNA, FM	1.4m	
	VR248500	ANTENNA, AM LOOP	1.0m	
		BATTERY, MANGANESE	SUM-3,AA,R06	

* New Parts

■ GX-700VCD EXPLODED VIEW



■ GX-700VCD MECHANICAL PARTS

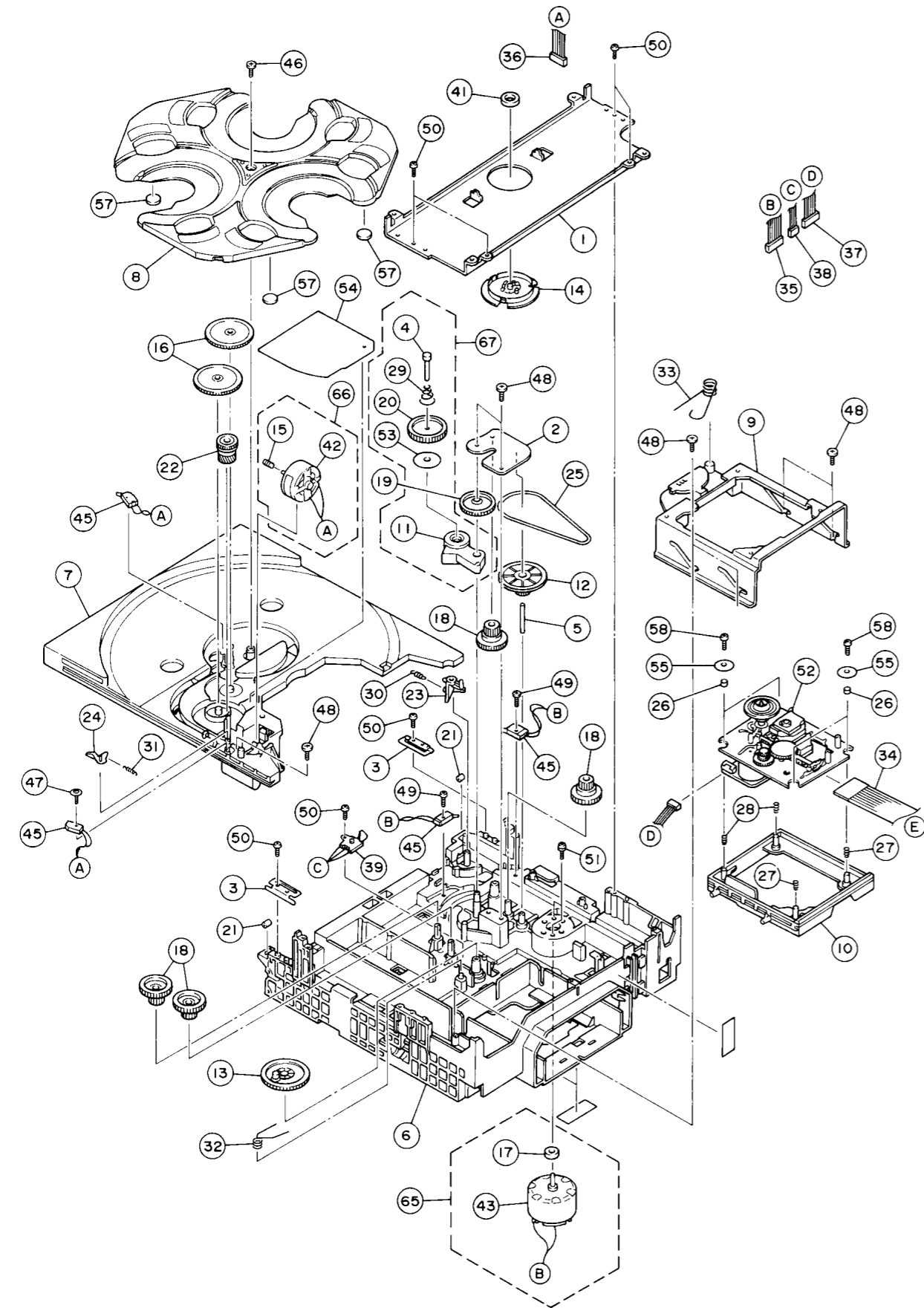
Ref. No.	PART NO.	Description	Remarks	Markets
* 1-3	V4003400	P.C.B. ASS'Y	OPERATION	
* 1-7	V3728300	BAN-CARD	25P 380mm	
1-8	MF125300	FLEXIBLE FLAT CABLE C&C	25P 300mm	
1-9	MF115250	FLEXIBLE FLAT CABLE C&C	15P 250mm	
* 1-10	V3108900	FRONT PANEL		
* 1-20	V3109600	BUTTON	5P-CD	
* 1-21	V3110400	BUTTON	4P-CD	
* 1-22	V3110300	BUTTON	5P-INPUT	
* 1-23	V3110000	BUTTON	1P-STANDBY	
* 1-24	V3109700	BUTTON	5P-OPERATION	
* 1-30	V3223200	LID, PANEL		
* 1-31	V3112100	SHEET	LID	
* 1-32	V3263300	SPRING PIN	SUS 2x16mm	
* 1-33	V3188400	STOPPER, PIN		
* 1-40	V3111700	LID	1H	
* 1-41	V3109800	BUTTON	1P-EJ	
* 1-50	V3263200	MINI SIDE ROCK	091Y	
1-51	VS010000	CUSHION, LEG		
* 1-60	V3112400	PLATE, SP		
* 1-62	V3110800	KNOB	D10	
* 1-70	V3237100	LENS, KNOB		
* 1-71	V3269700	REFLECTOR	LED	
* 1-80	V3113500	WINDOW, FL		
* 1-90	V3267500	SPRING	D6T	
* 1-91	V3272000	PAD, FRICTION		
* 1-95	V3112000	LENS	2P	
1-96	VD435300	BIND HEAD P-TITE SCREW	2.6x8 FCRM3-BL	
1-97	VA775100	PW HEAD P-TITE SCREW	3x8-10 FCRM3-BL	
* 1-98	V3750600	SUPPORT	FFC	
* 2-3	V4003700	P.C.B. ASS'Y	VCD	
2-4	VZ150200	VCD MODULE	RD-DVK020	
2-51	VU638400	CDC MECHANISM UNIT	YMHB310	
2-61	VU353900	FRAME	REAR	
2-62	VU354100	FRAME	F-L	
2-63	VU354200	FRAME	F-R	
2-64	VU915700	FRAME	PCB	
2-69	VZ208500	SPACER	PCB-VCD	
2-70	VQ861500	CUSHION	SHEET	
* 2-71	V4443400	SPACER, LID		
2-82	EP630220	BIND HEAD P-TITE SCREW	3x8 ZMC2-BL	
2-83	VT669300	PW HEAD B-TITE SCREW	3x8-8 MFC2	
* 4	V4003900	P.C.B. ASS'Y	EFFECT	(RT)
* 5	V4002700	P.C.B. ASS'Y	INPUT	(L)
* 5	V4002800	P.C.B. ASS'Y	INPUT	(RT)
* 6	V4000200	P.C.B. ASS'Y	TUNER/TU-02	(L)
* 6	V4000500	P.C.B. ASS'Y	TUNER/TU-02	(RT)
* 7	V4266600	P.C.B. ASS'Y	MAIN	(L)
* 7	V4266700	P.C.B. ASS'Y	MAIN	(L)
* 8	AAX07650	CASSETTE DECK MECH. UINT		F511638
* 9	AAX07660	LOADING UNIT		F511630
# 10-1	VR510800	TRANSISTOR	2SD2396 J,K	Q204,218
* 10-11	V3621800	HEAT SINK		
* 10-13	V3542000	RADIATION SHEET	61x90 TBM-51W	

* New Parts

Ref. No.	PART NO.	Description	Remarks	Markets
10-14	EP600830	BIND HEAD B-TITE SCREW	3x8 FCRM3-BL	
10-16	VU555400	SUPPORT, HSP		
10-17	VV849300	SHEET	19x24	
△ 11	XW020A00	POWER TRANSFORMER		(RT)
△ 11	XW022A00	POWER TRANSFORMER		(L)
△ 12	VN363700	POWER CORD ASS'Y		(L)
△ 12	VZ542500	POWER CORD ASS'Y		(RT)
15	V2438700	CORD STOPPER	10P1	
* 17	V3316600	DC BRUSHLESS FAN	2410ML-05W-B40-T14	
21	MF115300	FLEXIBLE FLAT CABLE C&C	15P 300mm	
* 22	MF130070	FLEXIBLE FLAT CABLE	30P 70mm	
34	VU590000	BINDING TIE	CBTD001B	
35	CB836200	BINDING TIE	S-70B	
* 36	V3263100	SUPPORT, P.C.B.	2P85	
* 101	V3505700	TOP COVER		
102	V3104200	CHASSIS, MAIN		
* 103	V3105900	REAR PANEL		(RT)
* 103	V3106000	REAR PANEL		(L)
* 105	V3107000	CHASSIS, CASSETTE		
* 106	V3107100	FRAME, TRANSFORMER		
* 107	V3107400	FRAME, SIDE		
108	VV194200	FRAME	FAN	
* 110	V3222700	LID	CD-V	
* 111	V3111300	LID	CASSETTE	
* 115	V3110600	KNOB	D32	
120	V2847700	SUPPORT, IC		
* 121	V3737600	SUPPORT, PWB		
125	VR264400	SPACER	H8	
126	VS009900	LEG	22x12.5	
141	VQ368600	PUSH RIVET	P3555-B	
150	EP600830	BIND HEAD B-TITE SCREW	3x8 FCRM3-BL	
151	VN413300	BIND HEAD BONDING B-T. SCREW	3x8 MFZN2-BL	
152	VT669300	PW HEAD B-TITE SCREW	3x8-8 MFC2	
153	VT669400	PW HEAD B-TITE SCREW	3x15-8 MFC2	
154	VK865300	HEX. HEAD TAP. SCREW WITH WS	3x18 FCRM3-BL	
155	V2728500	BIND HEAD S-TITE SCREW	4x7 MFZN2-BL	
156	VE529700	PW HEAD B-TITE SCREW	3x6-8 FCRM3-BL	
157	EP600130	BIND HEAD B-TITE SCREW	3x6 ZMC2-Y	
158	VV220300	BIND HEAD B-TITE SCREW	3x30 MFZN2-BL	
* 180	V4096200	SHEET, HANGER		
* 181	V4095100	PAD	SCREW	
* 182	V4175200	SHEET, REAR		
185	V2879500	SPACER PCB-M		
186	VS936800	DAMPER	3x5x10	
190	EP600290	BIND HEAD P-TITE SCREW	3x6 ZMC2-Y	
* 200	V3191900	ACCESSORIES		
200-1	V3191900	REMOTE CONTROL TRANSMITTER	SBAN20187A SYS19	
	AAX03320	LID	35x55BLALPS	
	VQ147100	ANTENNA, FM	1.4m	
	VR248500	ANTENNA, AM LOOP	1.0m	
		BATTERY, MANGANESE	SUM-3,AA,R06	

* New Parts

1 ■ EXPLODED VIEW (CD Mechanism Unit)



■ MECHANICAL PARTS (CD Mechanism Unit)

Ref. No.	PART NO.	Description	Remarks	Markets
	VU638400	CDC MECHANISM UNIT	YMHB310	YMHB310
1	CX679550	BRACKET, CLAMP		C3B1007
2	CX679540	BRACKET, GEAR		C3D1002
3	CX679560	BRACKET, TRAY		C3D1003
4	AX623770	SHAFT, FRICTION-B		C3D8014
5	AX623780	SHAFT, PULLEY		C3D2002
6	AX623930	CHASSIS, MAIN		C3A3001
7	CX679430	TRAY, SLIDE		C3A3002
8	CX679440	TRAY, ROTARY		C3A3003
9	CX679410	SLIDER, LIFT		C3B3024
10	AX623880	FRAME, MD-B		C3B3023
11	AX623620	ARM, FRICTION		C3C3006
12	AX623900	PULLEY, LOAD		C3C3010
13	CX679280	CAM GEAR, UP/DOWN		C3C3014
14	CX679380	CLAMPER		C3C3020
15	CX679320	GEAR, WORM		C3D3007
16	CX679310	GEAR, IDLER		C3D3008
17	JX601690	MOTOR, PULLEY (B)		PD3039
18	CX679360	GEAR, LOAD		C3D3011
19	CX679330	GEAR, CENTER		C3D3012
20	CX679340	GEAR, FRICTION		C3D3013
21	AX623940	ROLLER, TRAY		C3D3015
22	CX679350	GEAR, HELICAL		C3D3017
23	CX679650	LEVER, LOCK		C3D3018
24	CX679640	LEVER, BRAKE		C3D3029
25	CX679460	DRIVE BELT		C3D4001
26	CX679260	INSULATOR		C3D4003
27	EX603440	SPRING, MD-H		C3D6012
28	EX603430	SPRING, MD-G		C3D6011
29	EX603460	SPRING, FRICTION		C3D6003
30	EX603490	SPRING, LOCK		C3D6005
31	EX603470	SPRING, BRAKE		C3D6006
32	EX603450	SPRING, CAM		C3D6007
33	EX603480	SPRING, LEFT		C3D6013
34	LX610060	FFC	16P	C3D9017
35	MX605000	WIRE	6P	C3D9019
36	MX604960	FLAT WIRE	6P	C3D9018
37	MX605010	WIRE	6P	C3D9020
38	MX605020	WIRE	3P	C3D9021
39	CX679670	LEVER SWITCH	SSCF	S332061
41	AX623920	MAGNET		T990544
42	JX601670	MOTOR	RF-500TB-12560	91300130
43	JX601680	MOTOR	MNN-6F1LBOK	91433136
45	CX679660	LEVER SWITCH	JPS1220-0201	94437095
46	EX603600	SCREW (F)		C3D8010
47	EX603570	SCREW (B)		C3D8004
48	EX603580	SCREW (C)		C3D8005
49	EX603630	BIND HEAD TAPPING SCREW	2x12	8114512012
50	EX603640	BIND HEAD TAPPING SCREW	2.6x8	8114512608
51	EX603590	SCREW (E)		C3D8009
52	NX635360	TRAVERSE UNIT	KSM-213BCM	90438002
53	CX679510	FELT, FRICTION		C3D8001
54	CX679270	NEW COVER		C3D8019

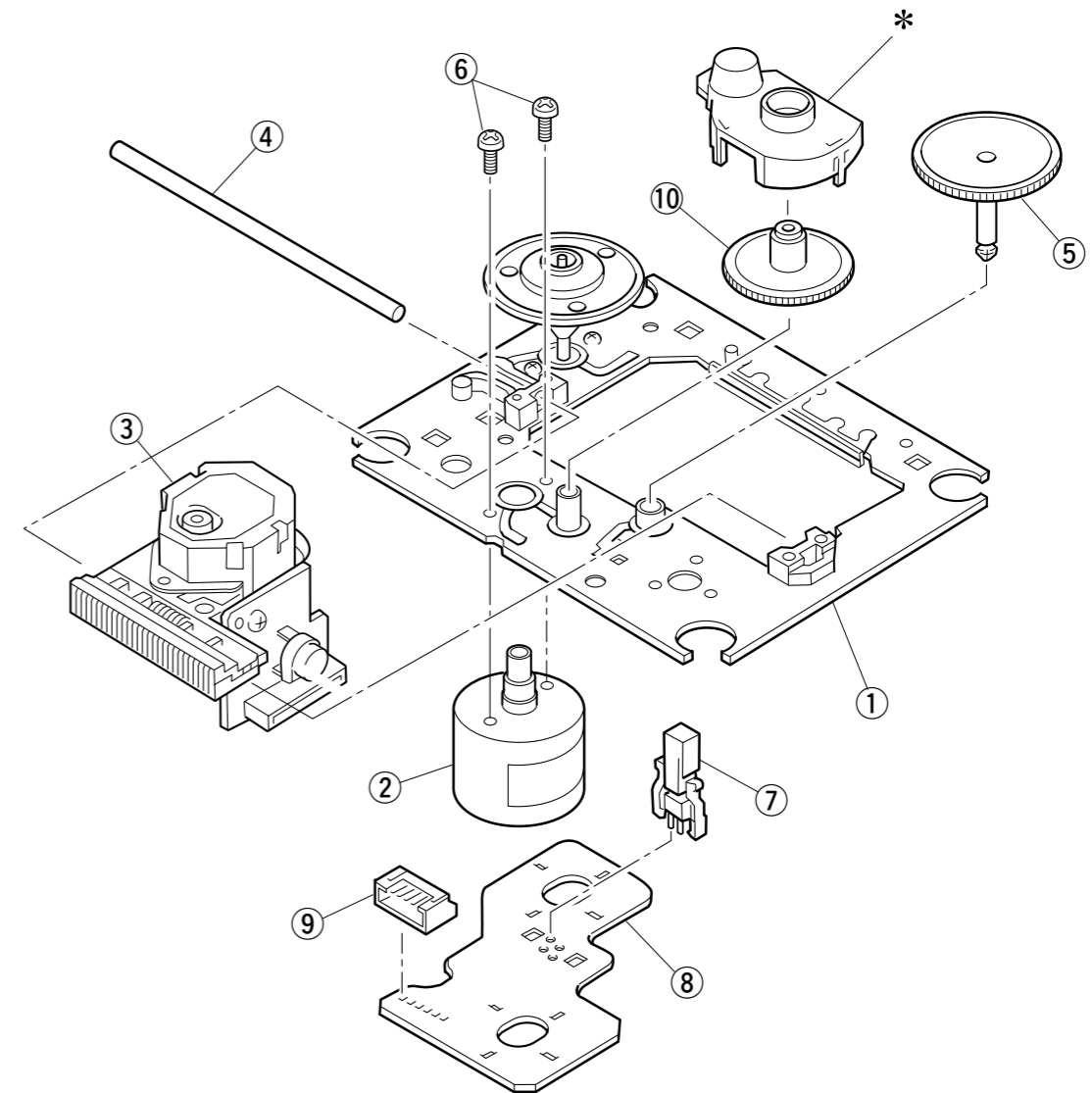
* New Parts

Ref. No.	PART NO.	Description	Remarks	Markets
55	EX603810	WASHER	C3D8018	
57	CX679400	SHEET, TRAY-B	C3D8015	
58	EX603620	BIND HEAD TAPPING SCREW	8114512008	
65	JX601720	MOTOR ASS'Y, PULLEY	C3D9008	
66	JX601700	MOTOR ASS'Y, WORM	C3D9007	
67	AX623870	FRICITION ARM ASS'Y	C3D3022	

* New Parts

EXPLODED VIEW (Traverse Unit)

Note : The parts marked with an asterisk (*) are not available separately. They are included in a Traverse Unit and supplied as that unit.

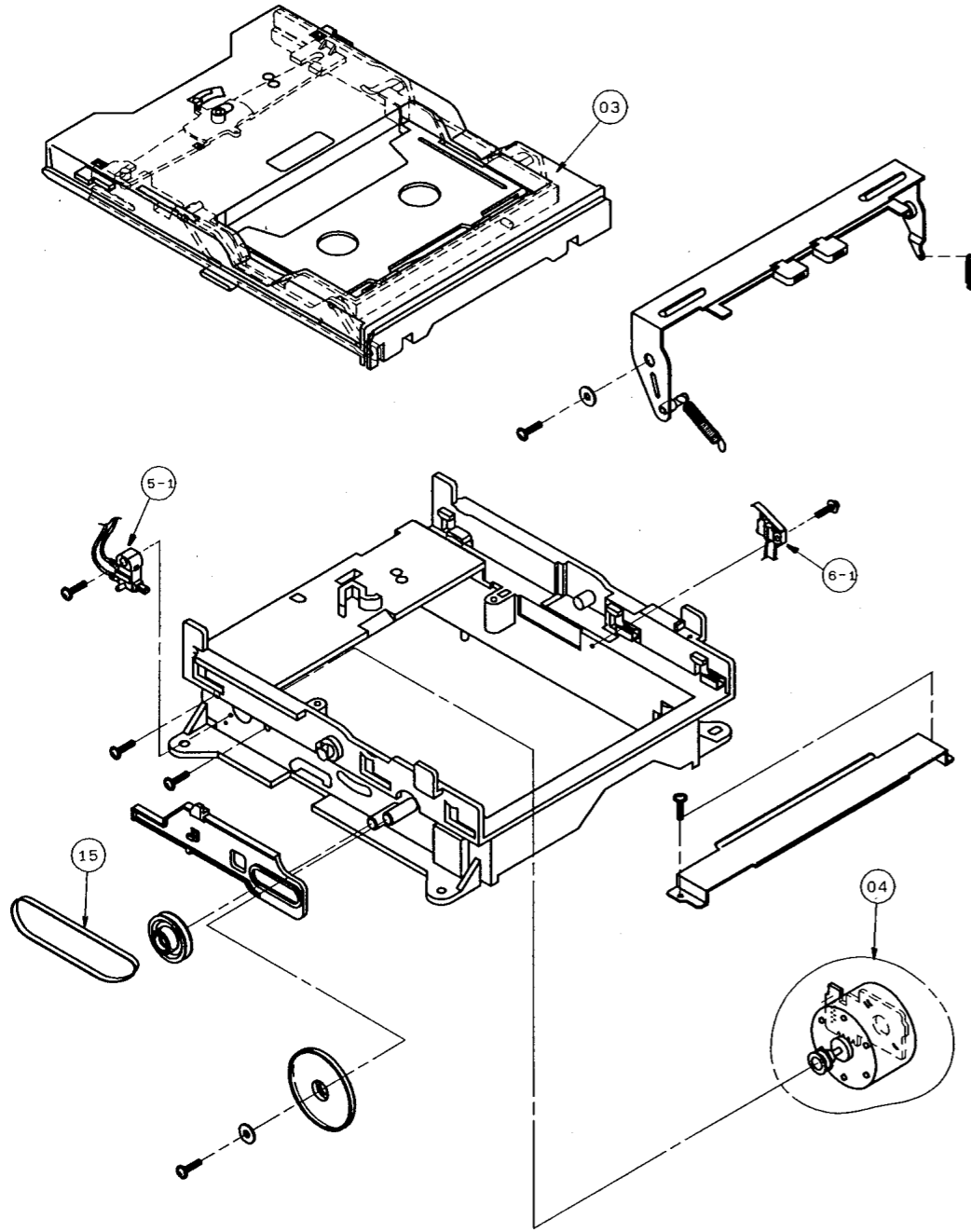


Ref. No.	PART NO.	Description	Remarks	Markets
	NX635360	TRAVERSE UNIT	KSM-213BCM	90438002
1	NX635420	MOTOR CHASSIS ASS'Y	(MB)	X26258771
2	CX679710	MOTOR GEAR ASS'Y		X26257691
3	PX601970	OPTICAL DEVICE	KSS-213B(RP)	884836711
4	AX623980	SLED SHAFT		262690801
5	CX679720	GEAR, A	(S)	262690701
6	EA020036	PAN HEAD SCREW	2x3 ZMC2-Y	762125515
7	KX604660	LEAF SWITCH		157208511
8	NX613040	PWB, MOTOR	6P(S)	163967813
9	LX610120	CONNECTOR PIN	6P	156472211
10	CX680030	GEAR		262700301

* New Parts

GX-700/GX-700VCD

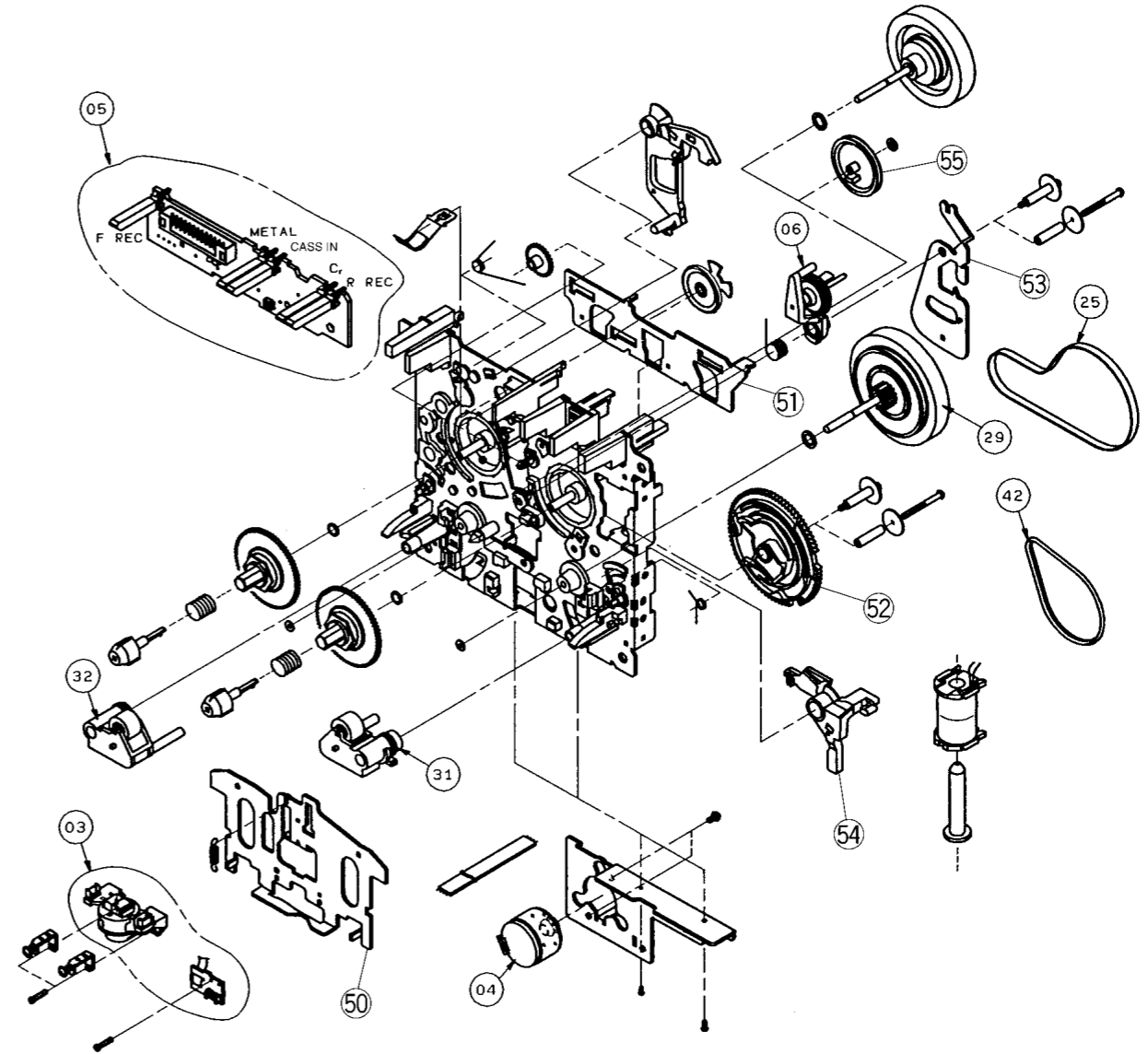
■ EXPLODED VIEW (Loading Unit)



Ref. No.	PART NO.	Description	Remarks	Markets
	AAX07660	LOADING UNIT	F511630	
* 3	AAX07480	HOLDER CST BLOCK	F527078	
* 4	AAX07460	MTR REEL BLOCK	F564313	
* 5-1	AAX07510	SWITCH	UE15S14	
* 6-1	AAX07520	SWITCH	UE18P21	
* 15	AAX07580	BELT	FF19L12	LOADING

* New Parts

■ EXPLODED VIEW (Cassette Deck Mech. Unit)



Ref. No.	PART NO.	Description	Remarks	Markets
*	AAX07650	CASSETTE DECK MECH. UNIT	F511638	
* 3	AAX07550	PLATE HD BLOCK	F513831	
* 4	AAX07450	MTR MAIN BLOCK	F525327	
* 5	AAX07470	PCB CONTROL BLOCK	F567626	
* 6	AAX07490	CLUTCH ASS'Y BLOCK	F522037	
* 25	AAX07570	BELT	FF19H11	MAIN
* 29	AAX07500	CLUTCH ASS'Y BLOCK	F522048	
* 31	AAX07530	ROLLER PINCH BLOCK	F514129	R
* 32	AAX07540	ROLLER PINCH BLOCK	F514130	L
* 42	AAX07560	BELT	FF18W12	F/R
	50	AX623570	HEAD BASE	FC61K28
	51	AX622210	PLATE, SLIDE	FC61L17
	52	CX677140	CAM, GEAR	FD52Y20
	53	CX677130	LEVER	FC62G12
	54	AX623590	LOCK LEVER	FD53D19
	55	CX679800	PULLEY, CLUTCH	FD53F14

* New Parts

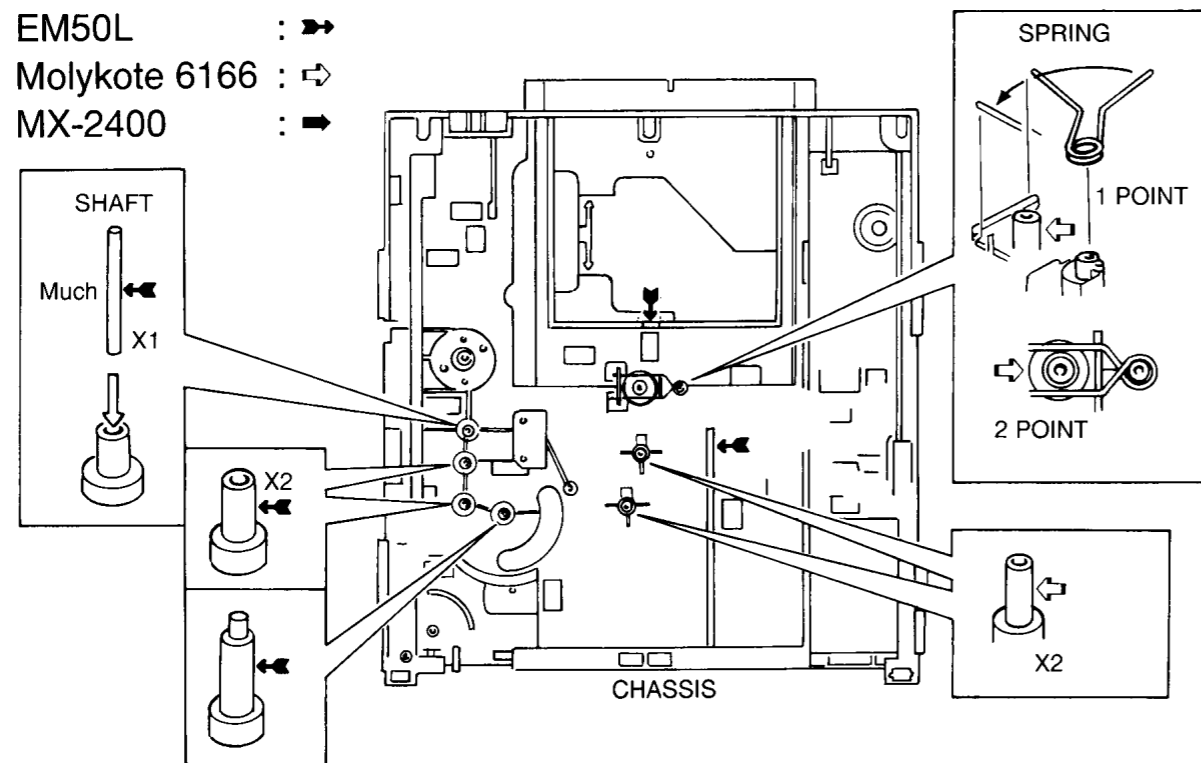
GREASE APPLICATION DIAGRAM (CD Mechanism)

● Grease to be supplied

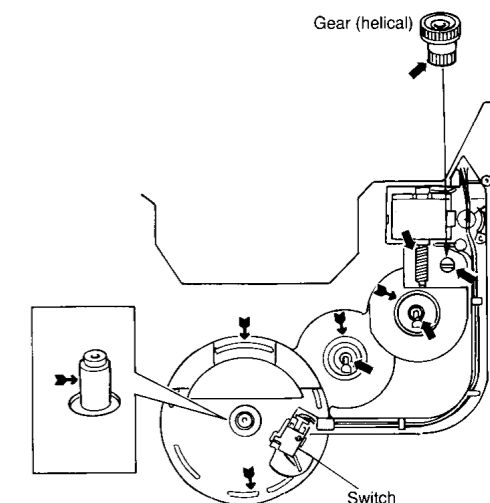
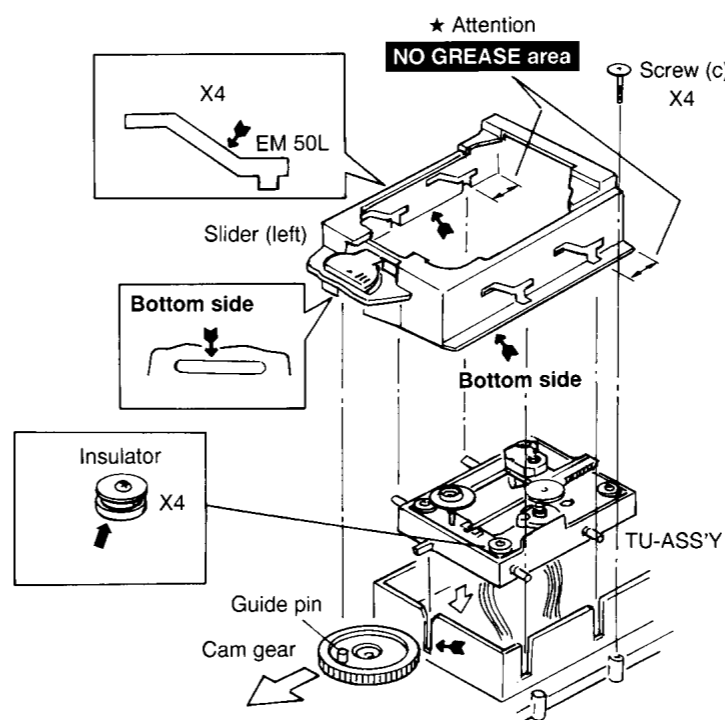
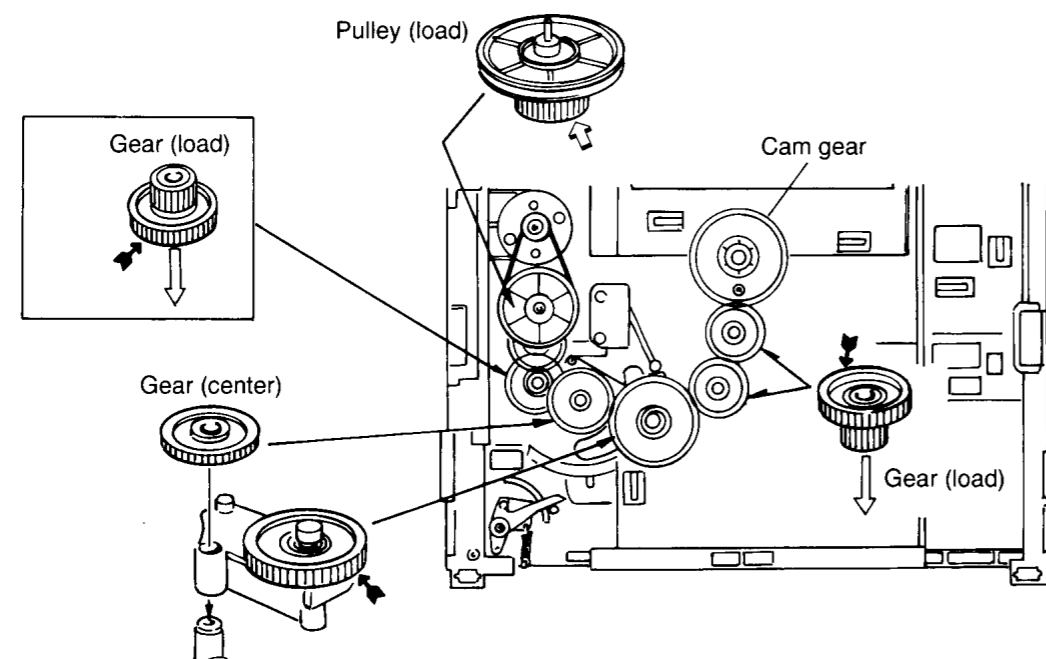
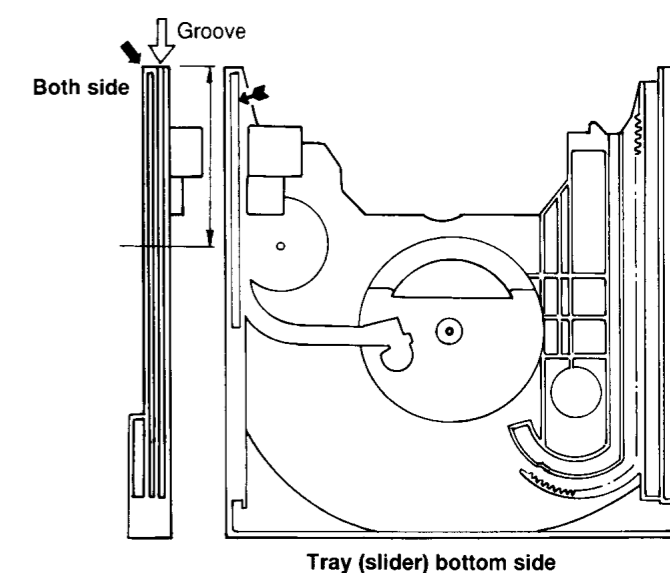
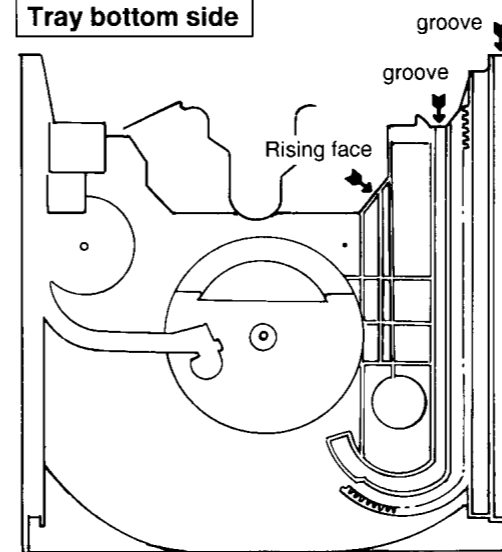
The same grease as that originally used is not available but a substitutive grease is supplied instead. When using this grease, however, make sure to wipe off the attached grease thoroughly before applying the new one.

Grease originally used	Grease to be supplied	
EM50L	FLOIL G-351	P/NO. TX913160
Molykote 6166	FLOIL G-351	P/NO. TX913160
MX-2400	FLOIL G-351	P/NO. TX913160

EM50L : ➔
Molykote 6166 : ⇄
MX-2400 : ➔

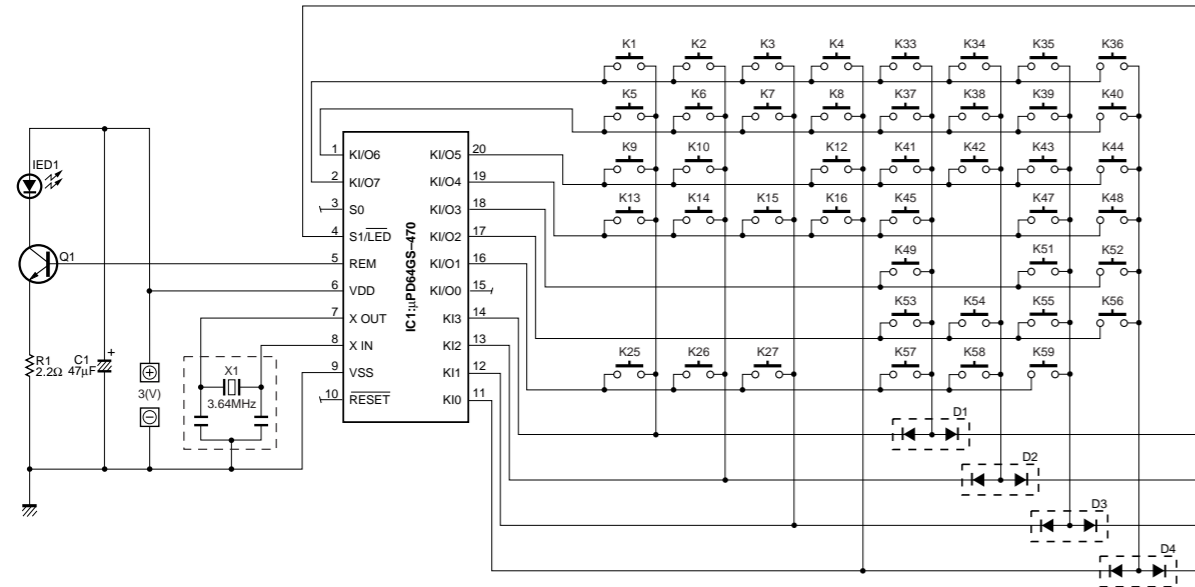


Tray bottom side



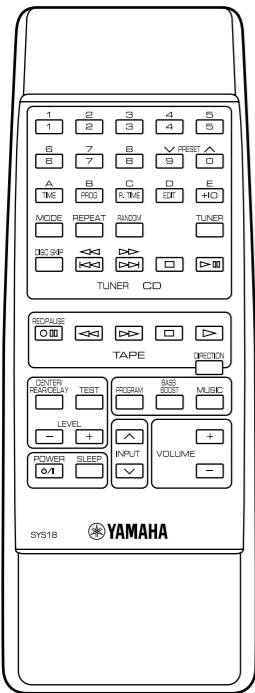
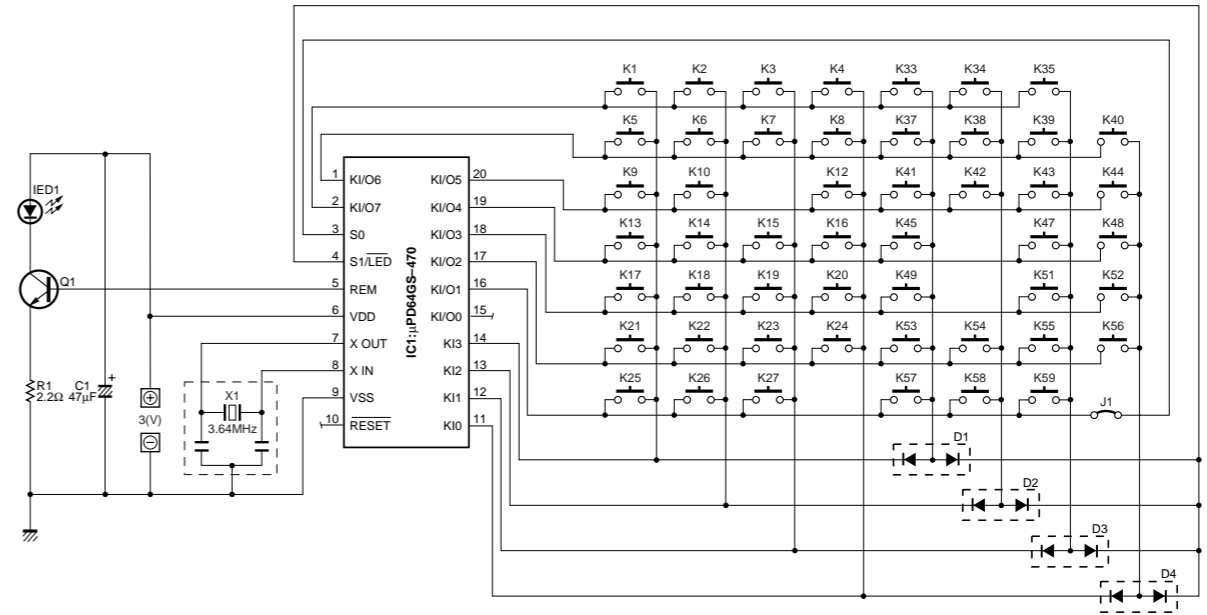
GX-700 REMOTE CONTROL TRANSMITTER

■ SCHEMATIC DIAGRAM



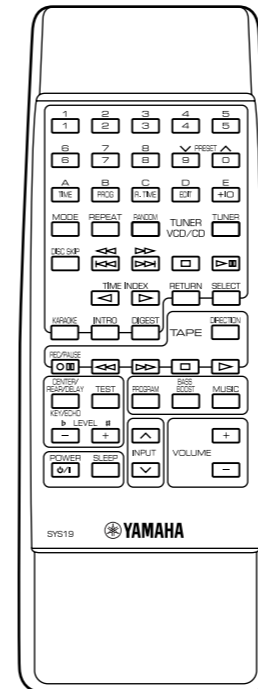
GX-700VCD REMOTE CONTROL TRANSMITTER

■ SCHEMATIC DIAGRAM



Key No.	FUNCTION	CUSTOM (HEX)	DATA (HEX)
1	2	2	78 12
2	3	3	78 13
3	4	4	78 14
4	5	5	78 15
5	PROG (CD)	B	78 0B
6	R. TIME (CD)	C	78 08
7	EDIT (CD)	D	78 09
8	+10	E	78 1A
9	REPEAT (CD)		78 0C
10	RANDOM (CD)		78 07
12	TUNER		78 4B
13	◀▶ (CD)		78 04
14	▶▶ (CD)		78 03
15	■ (CD)		78 01
16	▶▶ (CD)		78 02
25	DIRECTION (TAPE)		78 D8
26	VOLUME +		78 1E
27	VOLUME -		78 1F
33	●■ REC/PAUSE (TAPE)		78 46
34	◀▶ (TAPE)		78 45
35	▶▶ (TAPE)		78 44
36	■ (TAPE)		78 41

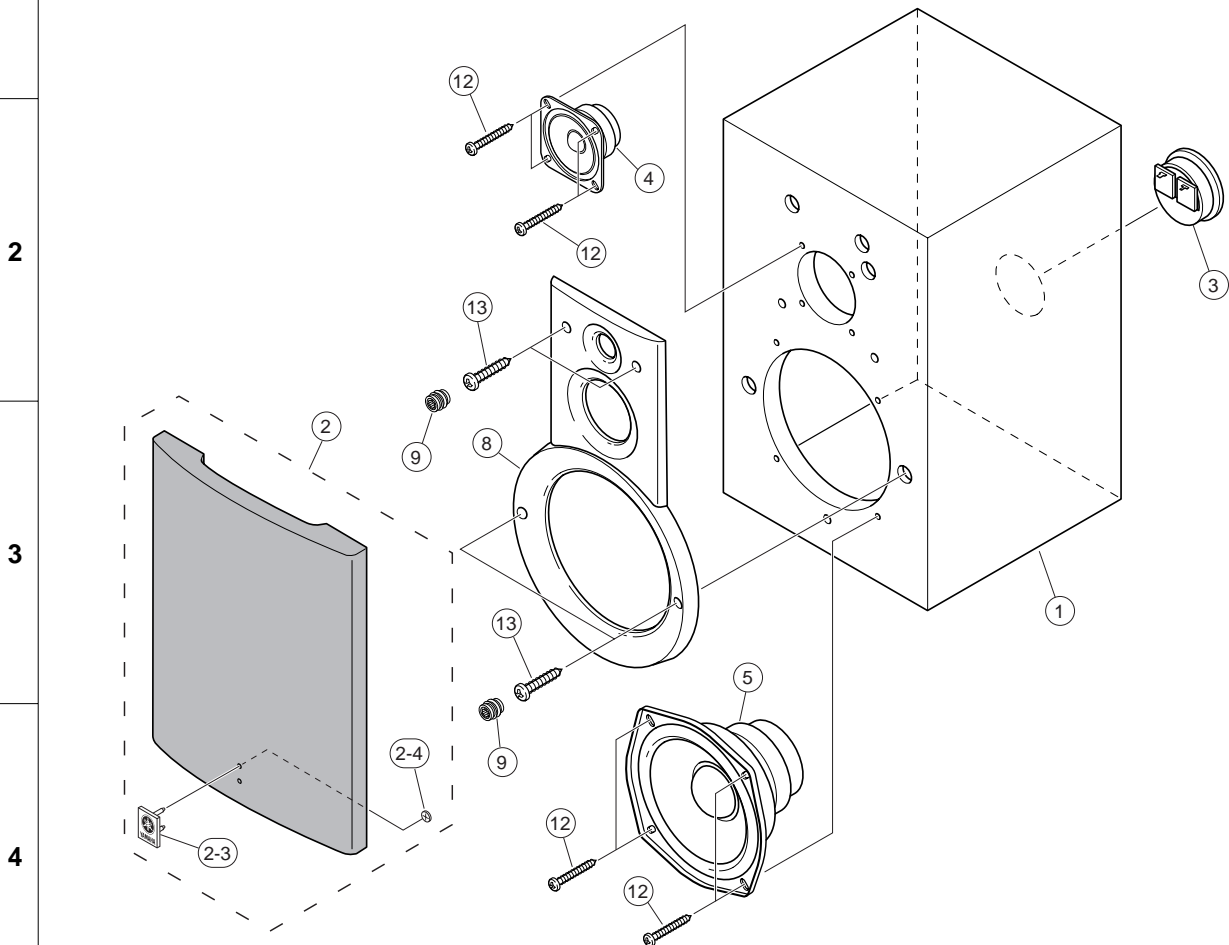
Key No.	FUNCTION	CUSTOM (HEX)	DATA (HEX)
37	▶ (TAPE)		78 42
38	CENTER/REAR/DELAY		78 48
39	TEST		78 5F
40	PROGRAM		78 5B
41	BASS BOOST		78 85
42	MUSIC		78 5A
43	LEVEL -		78 54
44	LEVEL +		78 53
45	INPUT ^		78 5E
47	⏻ / I POWER		78 0F
48	SLEEP		78 4F
49	INPUT v		78 40
51	1	1	78 11
52	6	6	78 16
53	7	7	78 17
54	8	8	78 18
55	9	PRESET	78 19
56	0	PRESET	78 10
57	TIME (CD)	A	78 0A
58	MODE (CD)		78 5D
59	DISC SKIP		78 0D



Key No.	FUNCTION	CUSTOM (HEX)	DATA (HEX)
1	2	2	78 12
2	3	3	78 13
3	4	4	78 14
4	5	5	78 15
5	PROG (CD)	B	78 0B
6	R. TIME (CD)	C	78 08
7	EDIT (CD)	D	78 09
8	+10	E	78 1A
9	REPEAT (CD)		78 0C
10	RANDOM (CD)		78 07
12	TUNER		78 4B
13	◀▶ (CD)		78 04
14	▶▶ (CD)		78 03
15	■ (CD)		78 01
16	▶▶ (CD)		78 02
17	TIME INDEX ◀ (VCD)		78 82
18	TIME INDEX ▶ (VCD)		78 81
19	RETURN (VCD)		78 8B
20	SELECT (VCD)		78 8A
21	●■ REC/PAUSE (TAPE)		78 46
22	◀▶ (TAPE)		78 45
23	▶▶ (TAPE)		78 44
24	■ (TAPE)		78 41
25	▶ (TAPE)		78 42
26	VOLUME +		78 1E

Key No.	FUNCTION	CUSTOM (HEX)	DATA (HEX)
27	VOLUME -		78 1F
33	KARAOKE		78 5C
34	INTRO		78 83
35	DIGEST		78 84
37	DIRECTION		78 D8
38	KEY/ECHO		78 48
39	TEST		78 5F
40	YMERSSION		78 5B
41	BASE BOOST		78 85
42	MUSIC		78 5A
43	LEVEL -		78 54
44	LEVEL +		78 53
45	INPUT ^		78 5E
47	⏻ / I POWER		78 0F
48	SLEEP		78 4F
49	INPUT v		78 40
51	1	1	78 11
52	6	6	78 16
53	7	7	78 17
54	8	8	78 18
55	9	PRESET	78 19
56	0	PRESET	78 10
57	TIME (CD)	A	78 0A
58	MODE (CD)		78 5D
59	DISC SKIP		78 0D

1 ■ NX-GX500 EXPLODED VIEW



Ref. No.	PART NO.	Description	Remarks	Markets
* 1	V3592800	SPEAKER CABINET	CH	
* 1	V3592900	SPEAKER CABINET	BL	
* 2	V3593000	FRONT GRILLE ASS'Y	CH	
* 2	V3593100	FRONT GRILLE ASS'Y	BL	
2-3	V2192200	EMBLEM	YAMAHA	
2-4	VP161000	PUSH NUT	SPN1.5	
* 3	V3594000	SPEAKER TERMINAL	213-S5305	
* 4	XV819A00	LOUD SPEAKER JA05U1	5cm	
* 5	XV821A00	LOUD SPEAKER JA13590	13cm	
* 8	V3490500	FRONT PANEL		
* 9	V3594600	CATCHER		
12	EP030580	BINDING HEAD TAPPING SCREW	3.5x20 MFZN2-BL	
13	EP040250	BIND HEAD TAPPING SCREW	4x16 ZMC2-BL	
		SPEAKER PACKAGE ASS'Y		
*	V3598800	SPEAKER ASS'Y	NX-C700	
*	V3790800	SPEAKER ASS'Y	NX-E700	
		ACCESSORIES		
*	V3593700	SPEAKER CORD ASS'Y	5.0m x2	NX-GX500
*	V3599200	SPEAKER CORD ASS'Y	5.0m x1	NX-C700
*	V3789200	SPEAKER CORD ASS'Y	10m x2	NX-E700
*	V3599600	FOOT	4 pieces	NX-C700

* New Parts

Parts List for Carbon Resistors

Value	1/4W Type Part No.	1/6W Type Part No.	Value	1/4W Type Part No.	1/6W Type Part No.
1.0 Ω	HJ35 3100	HF85 3100	10 kΩ	HF45 7100	HF45 7100
1.8 Ω	HJ35 3180	*	11 kΩ	HF45 7110	HF45 7110
2.2 Ω	HJ35 3220	HF85 3220	12 kΩ	HJ35 7120	HF85 7120
3.3 Ω	HJ35 3330	HF85 3330	13 kΩ	HF45 7130	HF45 7130
4.7 Ω	HJ35 3470	HF85 3470	15 kΩ	HF45 7150	HF45 7150
5.6 Ω	HJ35 3560	HF85 3560	18 kΩ	HF45 7180	HF45 7180
10 Ω	HF45 4100	HF45 4100	22 kΩ	HF45 7220	HF45 7220
15 Ω	HJ35 4150	HF85 4150	24 kΩ	HF45 7240	HF45 7240
22 Ω	HF45 4220	HF45 4220	27 kΩ	HJ35 7270	HF85 7270
27 Ω	HJ35 4270	HF85 4270	30 kΩ	HF45 7300	HF45 7300
33 Ω	HF45 4330	HF45 4330	33 kΩ	HF45 7330	HF45 7330
39 Ω	HJ35 4470	HF85 4390	36 kΩ	HF45 7360	HF45 7360
47 Ω	HF45 4470	HF45 4470	39 kΩ	HF45 7390	HF45 7390
56 Ω	HF45 4560	HF45 4560	47 kΩ	HF45 7470	HF45 7470
68 Ω	HF45 4680	HF45 4680	51 kΩ	HF45 7510	HF45 7510
75 Ω	HF45 4750	HF45 4750	56 kΩ	HF45 7560	HF45 7560
82 Ω	HF45 4820	HF45 4820	62 kΩ	HF45 7620	HF45 7620
91 Ω	HF45 4910	HF45 4910	68 kΩ	HF45 7680	HF45 7680
100 Ω	HF45 5100	HF45 5100	82 kΩ	HF45 7820	HF45 7820
110 Ω	HJ35 5110	HF85 5110	91 kΩ	HF45 7910	HF45 7910
120 Ω	HF45 5120	HF45 5120	100 kΩ	HF45 8100	HF45 8100
150 Ω	HF45 5150	HF45 5150	110 kΩ	HF45 8110	HF45 8110
160 Ω	HJ35 5160	*	120 kΩ	HF45 8120	HF45 8120
180 Ω	HF45 5180	HF45 5180	150 kΩ	HF45 8150	HF45 8150
200 Ω	HF45 5200	HF45 5200	180 kΩ	HF45 8180	HF45 8180
220 Ω	HF45 5220	HF45 5220	220 kΩ	HJ35 8220	HF85 8220
270 Ω	HF45 5270	HF45 5270	270 kΩ	HF45 8270	HF45 8270
330 Ω	HF45 5330	HF45 5330	300 kΩ	HF45 8300	HF45 8300
390 Ω	HF45 5390	HF45 5390	330 kΩ	HF45 8330	HF45 8330
430 Ω	HF45 5430	HF45 5430	390 kΩ	HJ35 8390	HF85 8390
470 Ω	HF45 5470	HF45 5470	470 kΩ	HF45 8470	HF45 8470
510 Ω	HF45 5510	HF45 5510	560 kΩ	HJ35 8560	HF85 8560
560 Ω	HF45 5560	HF45 5560	680 kΩ	HJ35 8680	HF85 8680
680 Ω	HF45 5680	HF45 5680	820 kΩ	HJ35 8820	HF85 8820
820 Ω	HF45 5820	HF45 5820	1.0 MΩ	HF45 9100	HF45 9100
910 Ω	HF45 5910	HF45 5910	1.2 MΩ	HJ35 9120	*
1.0 kΩ	HF45 6100	HF45 6100	1.5 MΩ	HJ35 9150	HF85 9150
1.2 kΩ	HF45 6120	HF45 6120	1.8 MΩ	HJ35 9180	HF85 9180
1.5 kΩ	HF45 6150	HF45 6150	2.2 MΩ	HJ35 9220	HF85 9220
1.8 kΩ	HF45 6180	HF45 6180	3.3 MΩ	HJ35 9330	HF85 9330
2.0 kΩ	HJ35 6200	HF85 6200	3.9 MΩ	HJ35 9390	*
2.2 kΩ	HF45 6220	HF45 6220	4.7 MΩ	HJ35 9470	HF85 9470
2.4 kΩ	HJ35 6240	HF85 6240			
2.7 kΩ	HF45 6270	HF45 6270			
3.0 kΩ	HF45 6300	HF45 6300			
3.3 kΩ	HF45 6330	HF45 6330			
3.6 kΩ	HJ35 6360	HF85 6360			
3.9 kΩ	HF45 6390	HF45 6390			
4.7 kΩ	HF45 6470	HF45 6470			
5.1 kΩ	HF45 6510	HF45 6510			
5.6 kΩ	HF45 6560	HF45 6560			
6.8 kΩ	HF45 6680	HF45 6680			
8.2 kΩ	HF45 6820	HF45 6820			
9.1 kΩ	HF45 6910	HF45 6910			

1/4W Type
HF45 ○○○○

1/6W Type
HF85 ○○○○

