

# MINI COMPONENT SYSTEM

# GX-707

# GX-707VCD

## SERVICE MANUAL

GX-707VCD

**GX-707 is composed of GX-707 (main unit) and NX-P707 (speakers).**  
**GX-707VCD is composed of GX-707VCD (main unit) and NX-P707 (speakers).**  
**NX-P707 is composed of NX-GX505, NX-C707 and NX-E707.**  
**The NX-C707 and NX-E707 loudspeakers are not field serviceable and must be replaced as complete units.**

### IMPORTANT NOTICE

This manual has been provided for the use of authorized YAMAHA Retailers and their service personnel. It has been assumed that basic service procedures inherent to the industry, and more specifically YAMAHA Products, are already known and understood by the users, and have therefore not been restated.

**WARNING:** Failure to follow appropriate service and safety procedures when servicing this product may result in personal injury, destruction of expensive components, and failure of the product to perform as specified. For these reasons, we advise all YAMAHA product owners that any service required should be performed by an authorized YAMAHA Retailer or the appointed service representative.

**IMPORTANT:** The presentation or sale of this manual to any individual or firm does not constitute authorization, certification or recognition of any applicable technical capabilities, or establish a principle-agent relationship of any form.

The data provided is believed to be accurate and applicable to the unit(s) indicated on the cover. The research, engineering, and service departments of YAMAHA are continually striving to improve YAMAHA products. Modifications are, therefore, inevitable and specifications are subject to change without notice or obligation to retrofit. Should any discrepancy appear to exist, please contact the distributor's Service Division.

**WARNING:** Static discharges can destroy expensive components. Discharge any static electricity your body may have accumulated by grounding yourself to the ground buss in the unit (heavy gauge black wires connect to this buss).

**IMPORTANT:** Turn the unit OFF during disassembly and part replacement. Recheck all work before you apply power to the unit.

## CONTENTS

TO SERVICE PERSONNEL .....	1—2	ALL FUNCTION TEST MODE .....	18
GX-707 PANELS .....	3—4	CD ERROR MESSAGES .....	18
GX-707VCD PANELS .....	5	CD STANDARD OPERATION CHART .....	19—20
SPECIFICATIONS .....	6	ADJUSTMENTS .....	21—23
INTERNAL VIEW .....	7	IC DATA .....	24—30
DISASSEMBLY PROCEDURES .....	8—12	DISPLAY DATA .....	31—32
VOLUME RANGE .....	13	BLOCK DIAGRAM .....	33—37
SYSTEM CONTROL CHECK .....	13	PRINTED CIRCUIT BOARD .....	38—62
TEST MODE .....	14	PIN CONNECTION DIAGRAM .....	63
SYSTEM TEST MODE .....	14	SCHEMATIC DIAGRAM .....	64—72
RECEIVER TEST MODE .....	15—16	PARTS LIST .....	73—108
TAPE TEST MODE .....	16	GX-707 REMOTE CONTROL TRANSMITTER .....	109
CD TEST MODE .....	17	GX-707VCD REMOTE CONTROL TRANSMITTER .....	110




このサービスマニュアルは、エコマーク認定の再生紙を使用しています。  
This Service Manual uses recycled paper.



## ■ TO SERVICE PERSONNEL

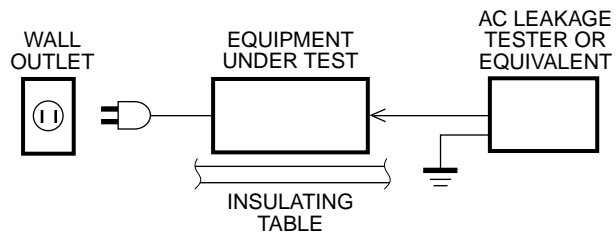
### 1. Critical Components Information.

Components having special characteristics are marked  and must be replaced with parts having specifications equal to those originally installed.

### 2. Leakage Current Measurement (For 120V Models Only).

When service has been completed, it is imperative to verify that all exposed conductive surfaces are properly insulated from supply circuits.

- Meter impedance should be equivalent to 1500 ohm shunted by 0.15 $\mu$ F.



- Leakage current must not exceed 0.5mA.
- Be sure to test for leakage with the AC plug in both polarities.



#### “CAUTION”

“F201 : FOR CONTINUED PROTECTION AGAINST RISK OF FIRE, REPLACE ONLY WITH SAME TYPE 2.0A, 125V FUSE.”

“F202 : FOR CONTINUED PROTECTION AGAINST RISK OF FIRE, REPLACE ONLY WITH SAME TYPE 4.0A, 125V FUSE.”

#### CAUTION

F201 : REPLACE WITH SAME TYPE 2.0A, 125V FUSE.

F202 : REPLACE WITH SAME TYPE 4.0A, 125V FUSE.

#### ATTENTION

F201 : UTILISER UN FUSIBLE DE RECHANGE DE MEME TYPE DE 2.0A, 125V.

F202 : UTILISER UN FUSIBLE DE RECHANGE DE MEME TYPE DE 4.0A, 125V.

## WARNING: CHEMICAL CONTENT NOTICE!

The solder used in the production of this product contains LEAD. In addition, other electrical/electronic and/or plastic (where applicable) components may also contain traces of chemicals found by the California Health and Welfare Agency (and possibly other entities) to cause cancer and/or birth defects or other reproductive harm.

DO NOT PLACE SOLDER, ELECTRICAL/ELECTRONIC OR PLASTIC COMPONENTS IN YOUR MOUTH FOR ANY REASON WHATSOEVER!

Avoid prolonged, unprotected contact between solder and your skin! When soldering, do not inhale solder fumes or expose eyes to solder/flux vapor!

If you come in contact with solder or components located inside the enclosure of this product, wash your hands before handling food.

## WARNING: Laser Safety

This product contains a laser beam component. This component may emit invisible, as well as visible radiation, which may cause eye damage. To protect your eyes and skin from laser radiation, the following precautions must be used during servicing of the unit.

- 1) When testing and/or repairing any component within the product, keep your eyes and skin more than 30 cm away from the laser pick-up unit at all times. Do not stare at the laser beam at any time.
- 2) Do not attempt readjustment, disassembly or repair of the laser pick-up, unless noted elsewhere in this manual.
- 3) CAUTION : Use of controls, adjustments or performance of procedures other than those specified herein may result in hazardous radiation exposure.

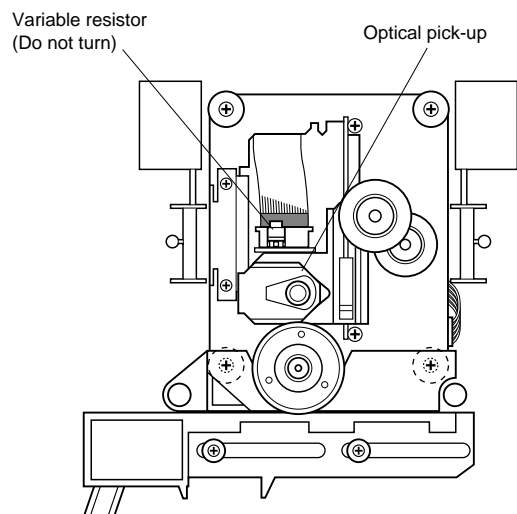
## Laser Emitting conditions:

- 1) When the Top Cover is removed, and the STANDBY SW is turned to the "ON" position, the laser component will emit a beam for several seconds to detect if a disc is present. During this time (5-10 sec.) the laser may radiate through the lens of the laser pick-up unit. Do not attempt any servicing during this period!  
If no disc is detected, the laser will stop emitting the beam. When a disc is set, you will not be exposed to any laser emissions.
- 2) The laser power level can be adjusted with the VR on the pick-up PWB, however, this level has been set by the factory prior to shipping from the factory. Do not adjust this laser level control unless instruction is provided elsewhere in this manual. Adjustment of this control can increase the laser emission level from the device.

## Laser Diode Properties

Material	: GaAlAs
Wavelength	: 780 nm
Emission duration	: Continuous
Laser output	: Max. 44.6 $\mu$ W*
ANSI Class	: Class 1

\* This output is the value measured at a distance of about 200 mm from the objective lens surface on the Optical Pick-up Block.



**VARO!** : AVATTAESSA JA SUOJALUKITUS OHITETTAESSA OLET ALTTIINA NÄKYMÄTTÖMÄLLE LASER-SÄTEILYLLE. ÄLÄ KATSO SÄTEESEEN.

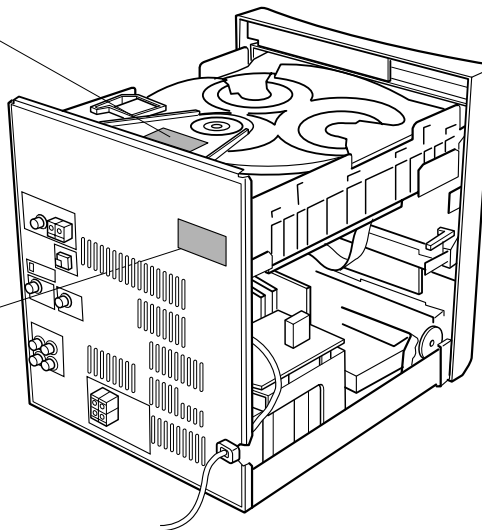
**WARNING!** : OSYNLIG LASERSTRÅLNING NÄR DENNA DEL ÄR ÖPPNAD OCH SPÄRREN ÄR URKOPPLAD. BETRAKTA EJ STRÅLEN.

## B, G, R, L, T models

CAUTION - VISIBLE AND / OR INVISIBLE LASER RADIATION WHEN OPEN. AVOID EXPOSURE TO BEAM.
VARNING - SYNLIG OCH / ELLER OSYNLIG LASERSTRÅLNING NÄR DENNA DEL ÄR ÖPPNAD. STRÅLEN ÄR FARLIG.
VARO ! AVATTAESSA OLET ALTTIINA NÄKYMÄLLE JA / TAI NÄKYMÄTTÖMÄLLE LASERSÄTEILYLLE. ÄLÄ KATSO SÄTEESEEN.
VARNING - SYNLIG OCH / ELLER OSYNLIG LASERSTRÅLNING NÄR DENNA DEL ÄR ÖPPNAD. BETRAKTA EJ STRÅLEN.
VORSICHT ! SICHTBARE UND / ODER UNSICHTBARE LASERSTRÄHLUNG WENN ABDECKUNG GEÖFFNET. NICHT DEM STRAHL AUSSETZEN.

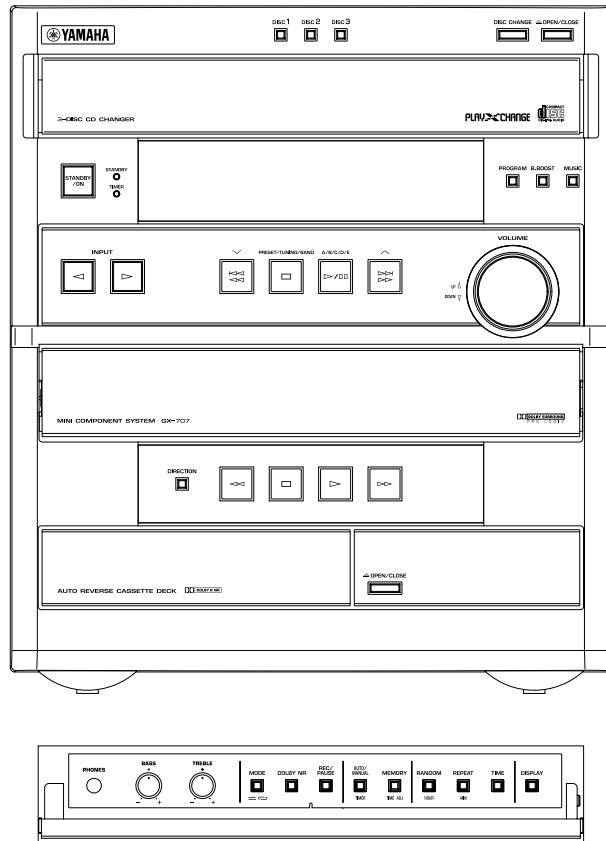
## B, G, R, L, T models

CLASS 1 LASER PRODUCT LASER KLASSE 1 PRODUKT LUOKAN 1 LASERLAITE KLASS 1 LASER APPARAT
---

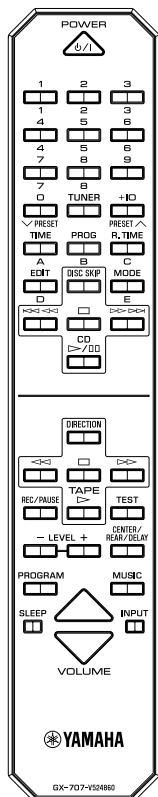
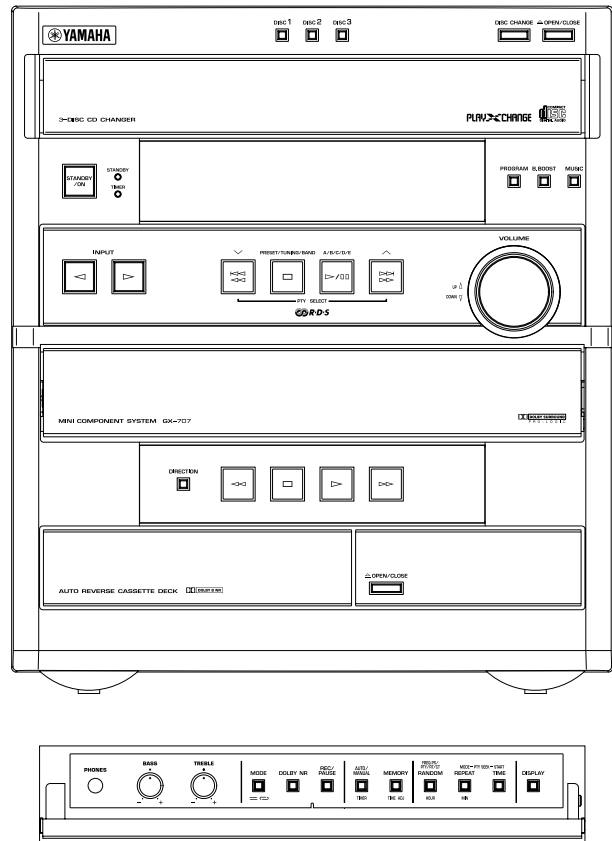


# ■ GX-707 PANELS

## ▼ U, C, R, A models



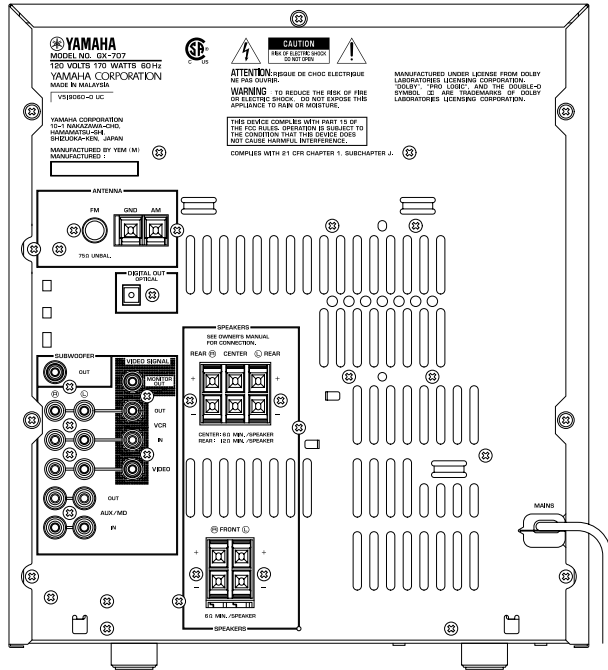
## ▼ B, G models



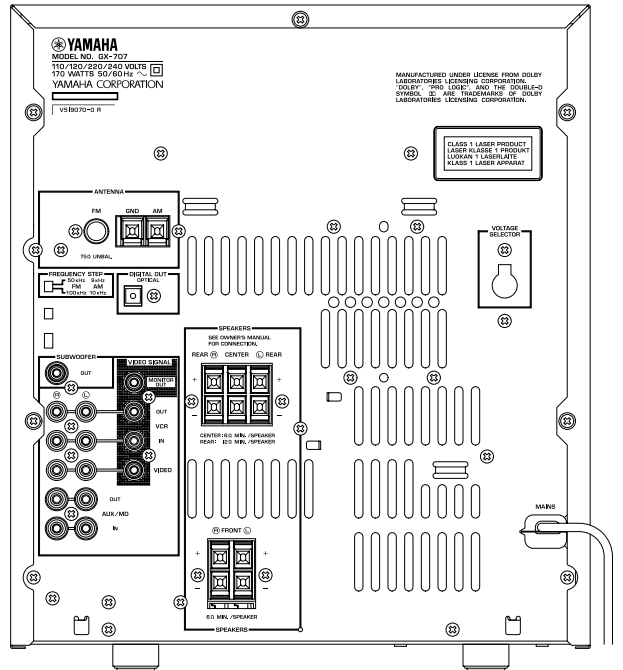
GX-707/MCD



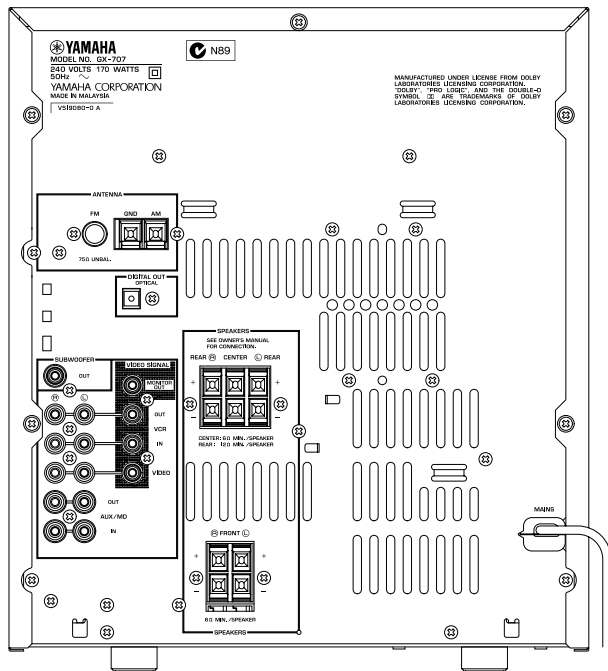
▼ U, C models



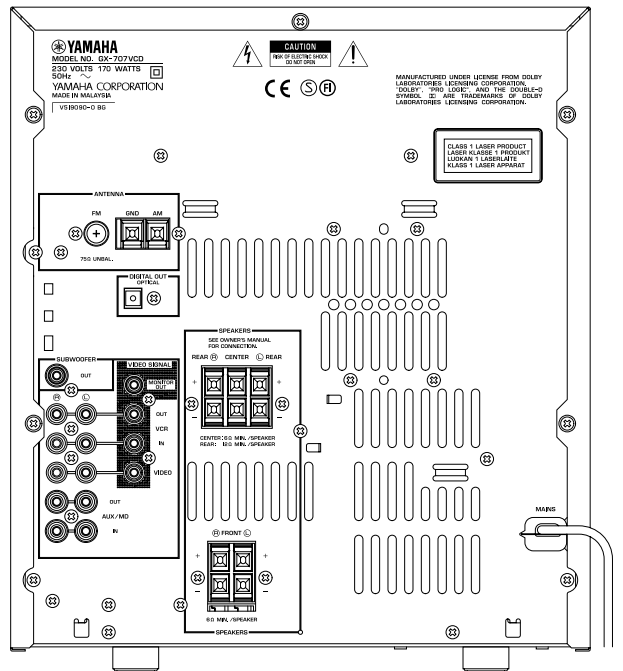
▼ R model



▼ A model



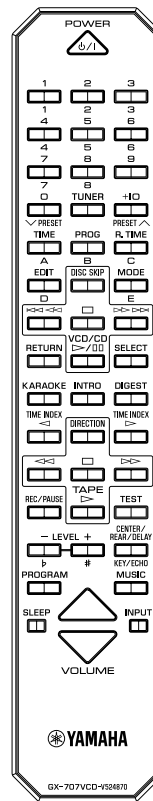
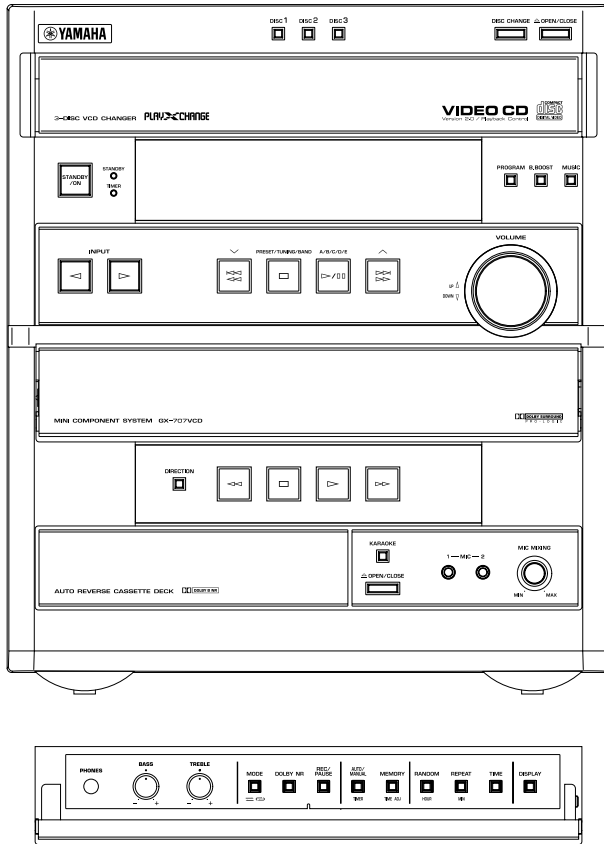
▼ B, G models



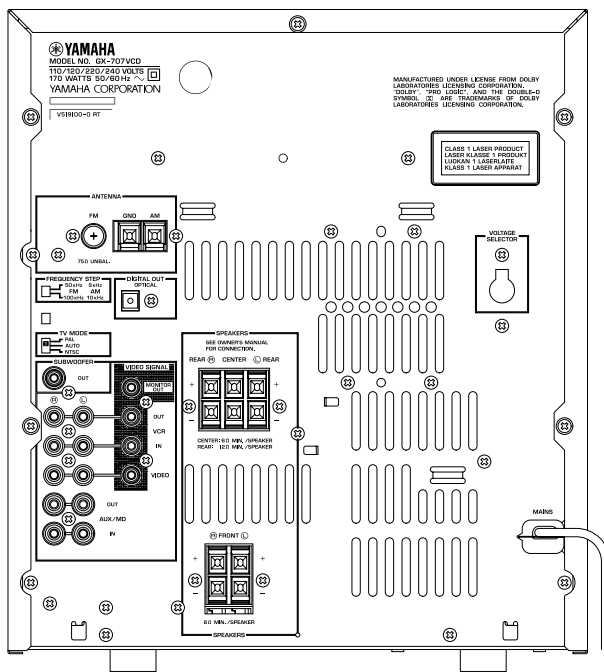
GX-707VCD

**■ GX-707VCD PANELS**

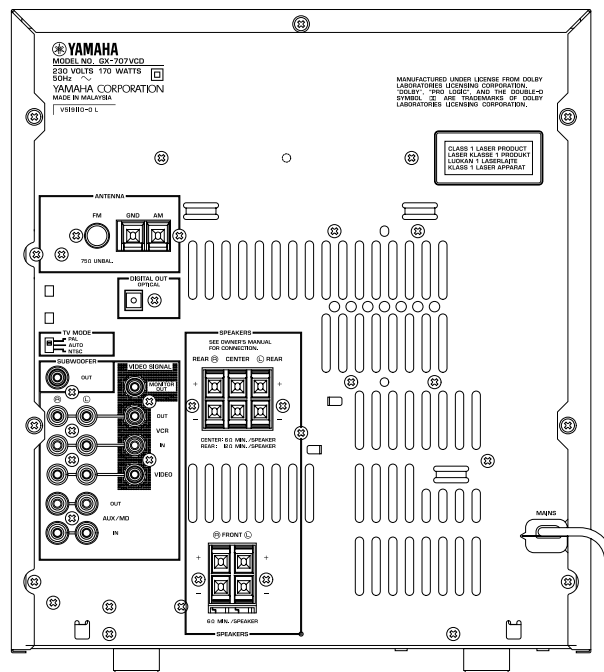
GX-707VCD



**▼ R, T models**



**▼ L model**



## ■ SPECIFICATIONS

### ■ AMPLIFIER SECTION

#### Minimum RMS Output Power per Channel

FRONT, 1kHz, 0.9% THD, 6Ω	80W + 80W
FRONT, 1kHz, 10% THD, 6Ω	100W + 100W
CENTER, 1kHz, 0.9% THD, 6Ω	80W
CENTER, 1kHz, 10% THD, 6Ω	100W
REAR, 1kHz, 0.9% THD, 6Ω	25W
REAR, 1kHz, 10% THD, 6Ω	30W

#### Input Sensitivity/Impedance

AUX/MD	200mV/47kΩ
--------	------------

Spectrum Analyzed Band	5 band (100Hz, 350Hz, 1kHz, 3.5kHz, 10kHz)
------------------------	---

### ■ VIDEO SECTION (GX-707VCD only)

Signal Level	1Vp-p/75Ω
--------------	-----------

### ■ TUNER SECTION

#### FM Tuning Range

U, C models	87.5 to 107.9MHz
R, T models	87.5 to 108.0MHz/87.50 to 108.00MHz
A, B, G, L models	87.50 to 108.00MHz

#### AM Tuning Range

U, C models	530 to 1,710kHz
R, T models	530 to 1,710kHz/531 to 1,611kHz
A, B, G, L models	531 to 1,611kHz

#### FM Usable Sensitivity (75Ω)

30dB S/N Quieting, Mono, 1kHz, 100% mod. R, U, C, L, T models	1.5μV (14.8dBf)
DIN Mono, S/N 26dB (A, B, G only)	1.8μV

### ■ CD CHANGER SECTION

Type	3-Disc Carousel Auto-changer
Signal Readout	Non-contact, 3-beam semi-conductor laser pick-up

D/A Converter	1bit DAC
---------------	----------

Filter	8-time oversampling digital filter
--------	------------------------------------

Wow & Flutter	Unmeasurable
---------------	--------------

### ■ TAPE DECK SECTION

Type	Auto Reverse 4-Track 2-Channel playback/recording stereo Cassette Deck
------	---

#### Heads

REC/PB	Hard permalloy
Erase	Double Gap Ferrite

#### Motors

Main	DC servo motor
Tray Loading	DC motor

#### Wow & Flutter

W.PEAK	±0.19%
W.RMS	0.09%

#### Frequency Response (-20dB)

Type I/Normal tape	50 to 15,000Hz ± 3dB
Type II/High (CrO <sub>2</sub> ) tape	50 to 16,000Hz ± 3dB

#### S/N Ratio

NR off	58dB
Dolby B NR on	66dB

### ■ FRONT SPEAKER SECTION (NX-GX505)

Type	3way Bass Reflex Magnetic Shielding Type
------	---

Speakers	13cm (5-1/8") Cone Type (Woofer) 5cm (1-15/16") Cone Type (Tweeter) 2cm (13/16") Piezo Type (Super Tweeter)
----------	---

Frequency Range	60Hz to 27kHz
-----------------	---------------

Nominal Input	100W
---------------	------

Maximum Input	220W
---------------	------

Impedance	6Ω
-----------	----

Sensitivity	90dB/2.83V, 1m
-------------	----------------

Crossover Frequency	3kHz
---------------------	------

### ■ CENTER SPEAKER SECTION (NX-C707)

Type	Full Range Acoustic Suspension Magnetic Shielding Type
------	---

Speakers	8cm (3-1/8") Cone Type X 2
----------	----------------------------

Frequency Range	90Hz to 25kHz
-----------------	---------------

Nominal Input	100W
---------------	------

Maximum Input	180W
---------------	------

Impedance	6Ω
-----------	----

Sensitivity	87dB/2.83V, 1m
-------------	----------------

### ■ REAR SPEAKER SECTION (NX-E707)

Type	Full Range Acoustic Suspension Magnetic Shielding Type
------	---

Speakers	8cm (3-1/8") Cone Type
----------	------------------------

Frequency Range	100 to 20,000Hz
-----------------	-----------------

Maximum Input	100W
---------------	------

Impedance	12Ω
-----------	-----

Sensitivity	84dB/2.83V, 1m
-------------	----------------

### ■ GENERAL

#### Power Supply

U, C models	AC120V, 60Hz
A model	AC240V, 50Hz
B, G, L models	AC230V, 50Hz
R, T models	AC110/120/220/240V, 60/50Hz

Power Consumption	170W
-------------------	------

(approx. 1.3W when set to the standby mode)

#### Dimensions (W X H X D)

GX-707/GX-707VCD	280 X 320 X 365mm (11" X 12-5/8" X 14-3/8")
NX-GX505	200 X 320 X 208mm (7-7/8" X 12-5/8" X 8-3/16")
NX-C707	280 X 100 X 188mm (11-7/16" X 3-15/16" X 7-3/8")
NX-E707	94 X 117 X 108mm (3-11/16" X 4-5/8" X 4-1/4")

#### Weight

GX-707/GX-707VCD	10.5kg (23 lbs. 2 oz)
NX-GX505	3.8kg (8 lbs. 6 oz)/each
NX-C707	2.0kg (4 lbs. 6 oz)
NX-E707	0.7kg (1 lbs. 8 oz)/each


#### Finish

GX-707/GX-707VCD	Black color
NX-GX505	Black color
NX-C707	Black color
NX-E707	Black color

#### Accessories

AM loop antenna	X 1
Indoor FM antenna	X 1
Remote Control Transmitter	X 1
Battery (size "AA", R06)	X 2
Speaker Cord (5m x 3, 10m x 2)	X 2
Screws (Rear)	X 2
Velcro Strips (Center)	X 4
Mounting Brackets (Rear)	X 2

\* Specifications subject to change without notice.

\* Manufactured under license from Dolby Laboratories Licensing Corporation. "DOLBY", "PRO LOGIC", and the double-D symbol  are trademarks of Dolby Laboratories Licensing Corporation.

U ..... U.S.A. model

G ..... European model

C ..... Canadian model

R ..... General model

A ..... Australian model

L ..... Singapore model

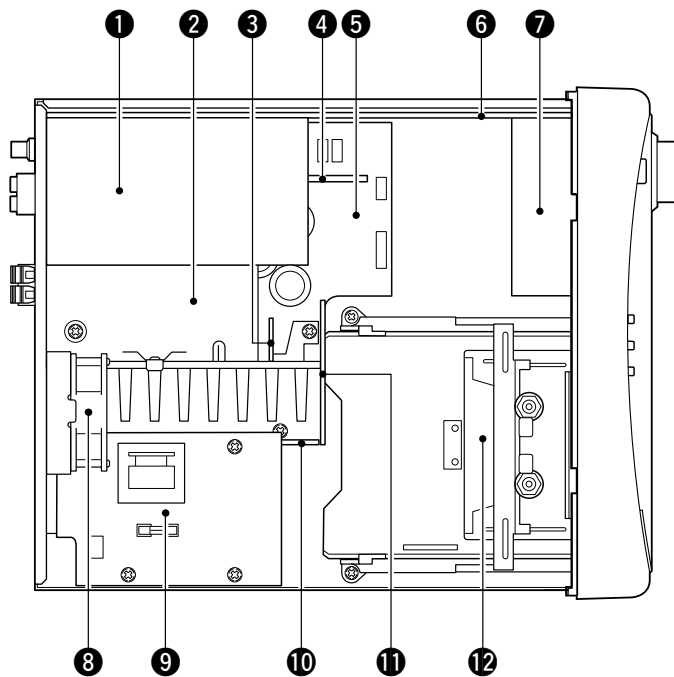
B ..... British model

T ..... China model

■ INTERNAL VIEW

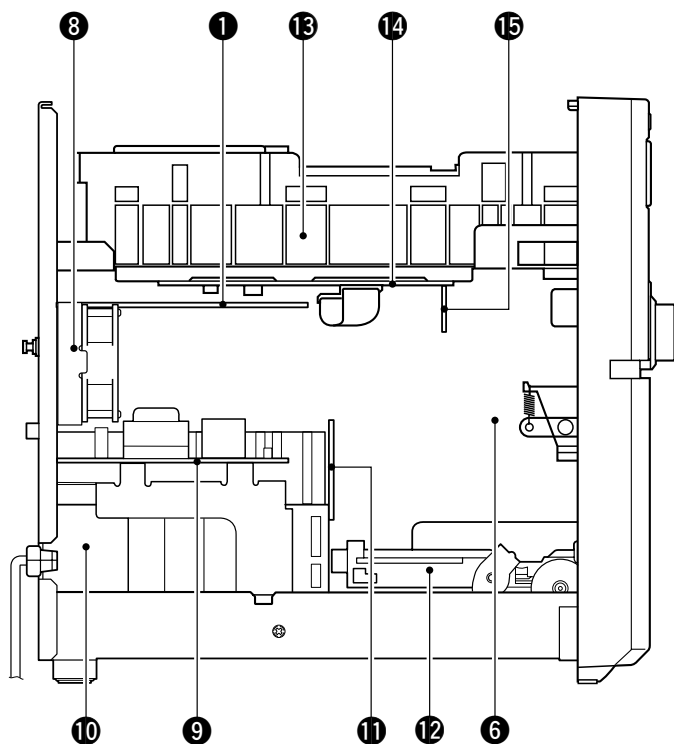
GX-707/VCD

**Top side** (with CD/VCD Mechanical Unit removed)



- ① TUNER P.C.B.
- ② EFFECT P.C.B. (2)
- ③ MAIN P.C.B. (5)
- ④ EFFECT P.C.B. (1)
- ⑤ MAIN P.C.B. (1)
- ⑥ INPUT P.C.B. (1)
- ⑦ OPERATION P.C.B. (3)  
(GX-707VCD only)
- ⑧ FAN
- ⑨ MAIN P.C.B. (2)
- ⑩ MAIN P.C.B. (3)
- ⑪ MAIN P.C.B. (6)
- ⑫ DECK MECHANICAL UNIT
- ⑬ GX-707 CD MECHANICAL UNIT  
GX-707VCD VCD MECHANICAL UNIT
- ⑭ GX-707 CD P.C.B.  
GX-707VCD VCD P.C.B.
- ⑮ VCD MODULE (GX-707VCD only)

**Left side**



## DISASSEMBLY PROCEDURES (Remove parts in the order as numbered.)

### 1. Removal of Top Cover

Remove 11 screws (①) in Fig. 1.

### 2. Removal of CD/VCD Mechanical Unit

- Disconnect the power cord from the AC outlet.
- Push the Friction Arm (the bottom side of the CD/VCD Mechanical Unit) with a finger as shown in Fig. 2.
- Pull the Tray forward approx. 5cm (2") and remove the CD Lid in Fig. 2.
- Push the Tray back to the original, closed position.
- Disconnect the Flat Connecting Cables (CB10) on the CD/VCD P.C.B. and remove 3 connectors (CB11, CB12 and CB9) on the CD/VCD P.C.B. in Fig. 2.
- Remove 4 screws (②) and then remove the CD Mechanical Unit in Fig. 1.

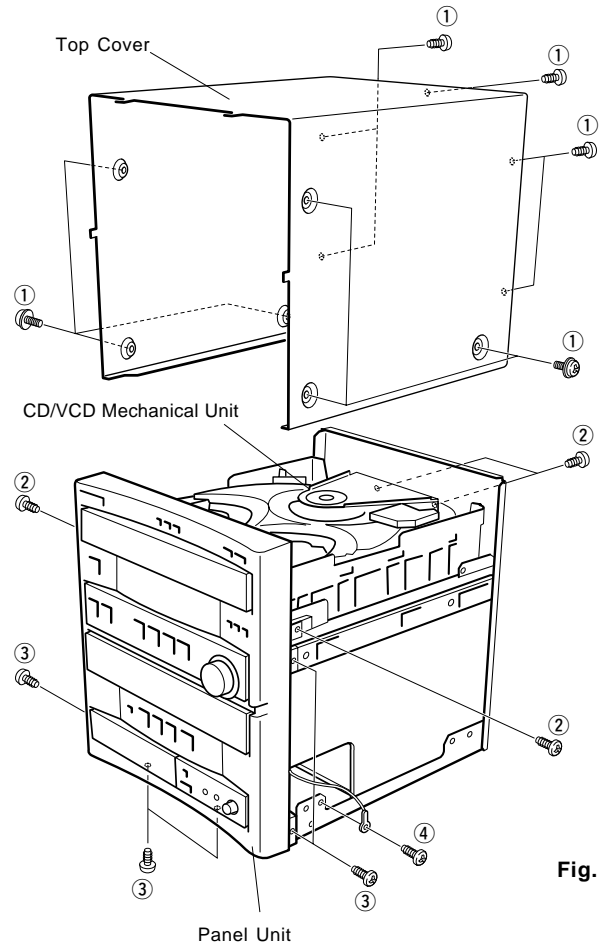


Fig. 1

### 3. Removal of Panel Unit

- Rotate the Loading Gear, then open the Tray and remove the Cassette Lid in Fig. 2.
- Push the Tray back to the original, closed position.
- Disconnect the flat connecting cables (CB10, CB13 and CB11) on the INPUT P.C.B. and remove a connector (CB805) in Fig. 2.
- Remove 5 screws (③) and 2 screws (④), and then remove the Panel Unit in Fig. 1 and Fig. 2.

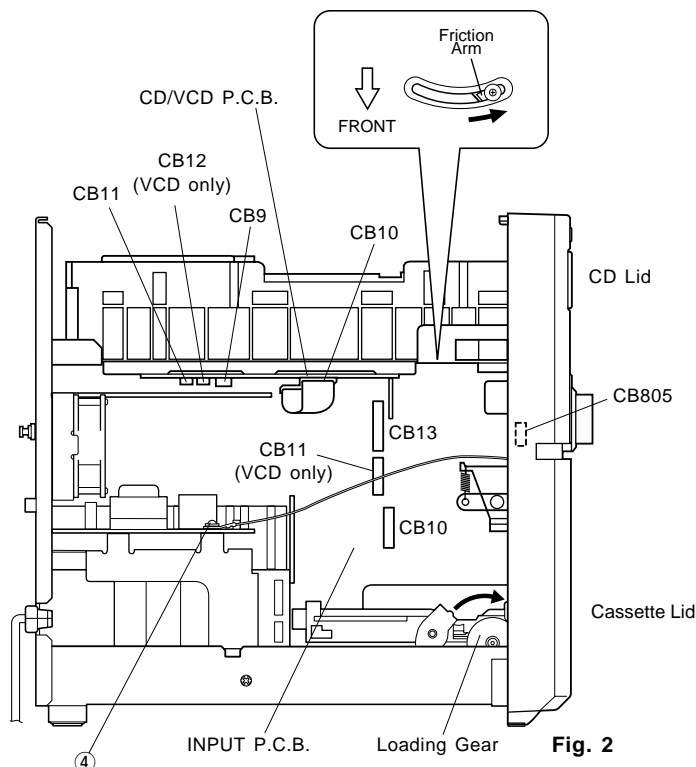


Fig. 2

### 4. Removal of Deck Mechanical Unit

- Remove 4 screws (⑤) and then remove the Deck Mechanical Unit in Fig. 3.
- Remove 3 connectors (W2, W3 and W4) in Fig. 3.

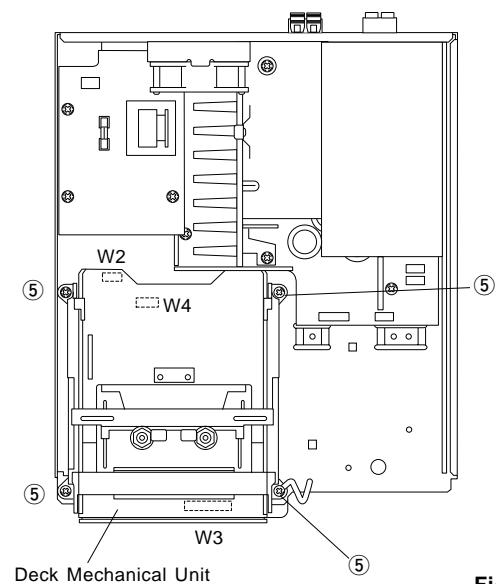
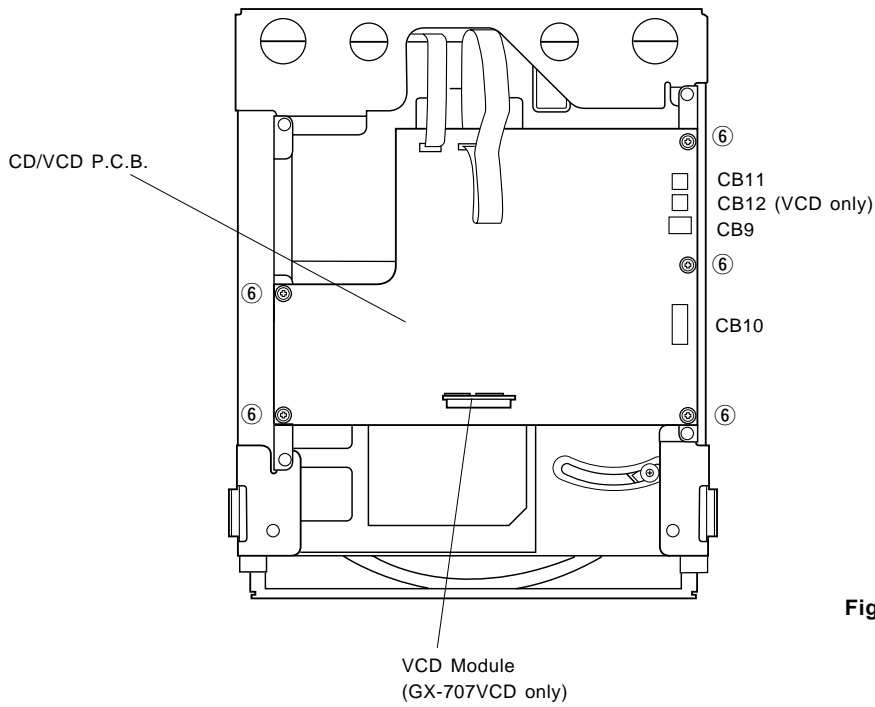


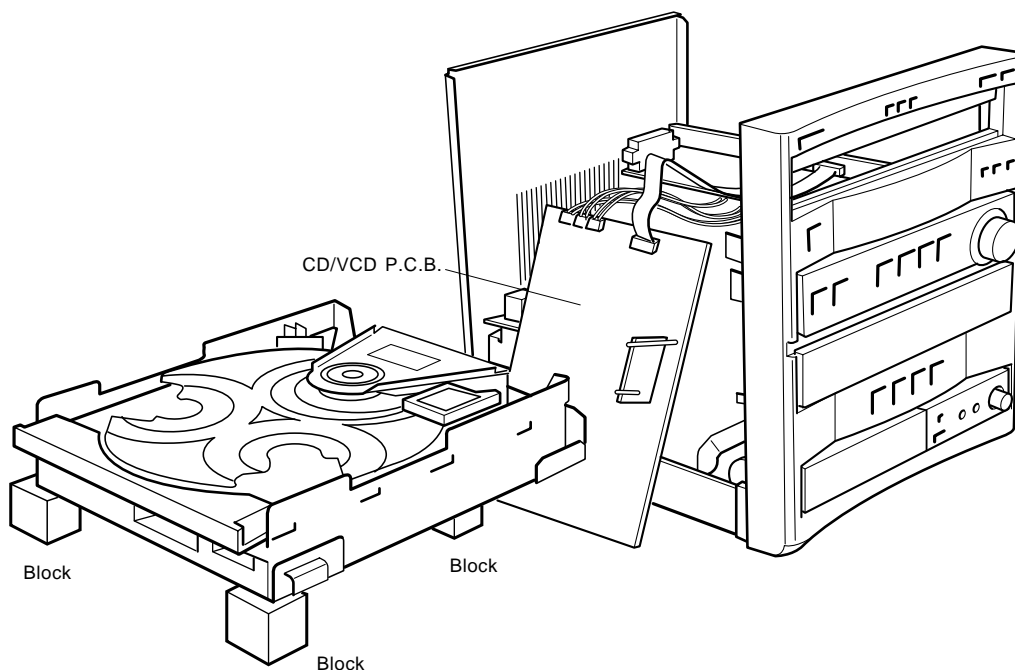
Fig. 3

**5. Operation Check of CD/VCD P.C.B.**

- a. Remove the CD Mechanical Unit.
- b. Remove 5 screws ( ⑥ ) and then remove the CD/VCD P.C.B. in Fig. 4.
- c. Place blocks (at 3 locations) to hold the CD Mechanical Unit horizontally as shown in the Fig. 5.
- d. Connect the Flat Connecting Cable ( CB10 ) and 3 connectors ( CB11, CB12 and CB9 ) in Fig. 4 and Fig. 5.
- e. Fit insulating material (thick paper, etc.)to prevent the chassis from contacting the CD/VCD P.C.B.
- f. Connect the power plug and turn on the Power Switch.



**Fig. 4**



**Fig. 5**

**6. Operation Check of Main P.C.B. (1)**

- a. Remove the CD Mechanical Unit.
- b. Remove the Panel Unit.
- c. Remove the Deck Mechanical Unit.
- d. Remove 4 screws (7) and then remove the Fan in Fig. 6.
- e. Remove 5 screws (8) in Fig. 6.
- f. Remove 1 screw (9) and then remove the P.C.B. Main (2) in Fig. 7.
- g. Remove 3 screws (10) in Fig. 7.
- h. Remove 4 screws (11) and then remove the Power Transformer in Fig. 8.
- i. Place the main unit on its left side (viewed from the front) and remove the Bottom Cover in Fig. 9.
- j. Install the Panel Unit to the main unit in Fig. 9.
- k. Connect the flat connecting cables ( CB10, CB13 and CB11 ) and remove a connector ( CB805 ) in Fig. 2.
- l. Connect the power plug and turn on the Power Switch.

**CAUTION**

When the power to this equipment is turned on with the CD/VCD Mechanical Unit disconnected, the capacitor C255(4700/16) of the Main P.C.B. (CD/VCD power supply section) is charged. Connecting the CD/VCD P.C.B. in this state may cause damage to its IC. Therefore, when installing the CD/VCD Mechanical Unit, be sure to discharge the capacitor C255(4700/16) of the Main P.C.B. before making connections. (To discharge it, short the W201 terminal +B and GND with a resistor(270Ω 1W).)

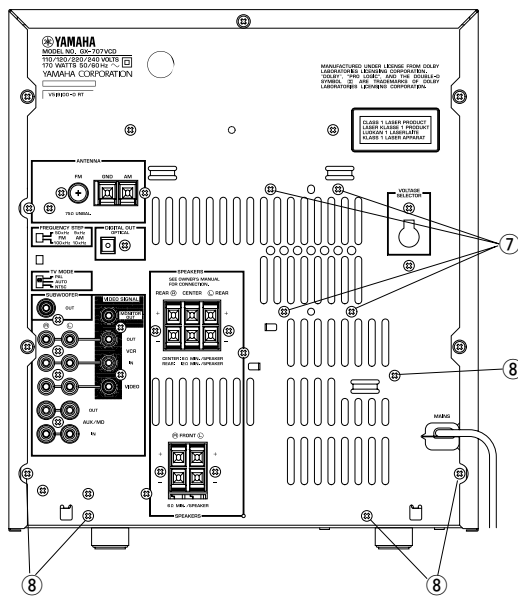


Fig. 6

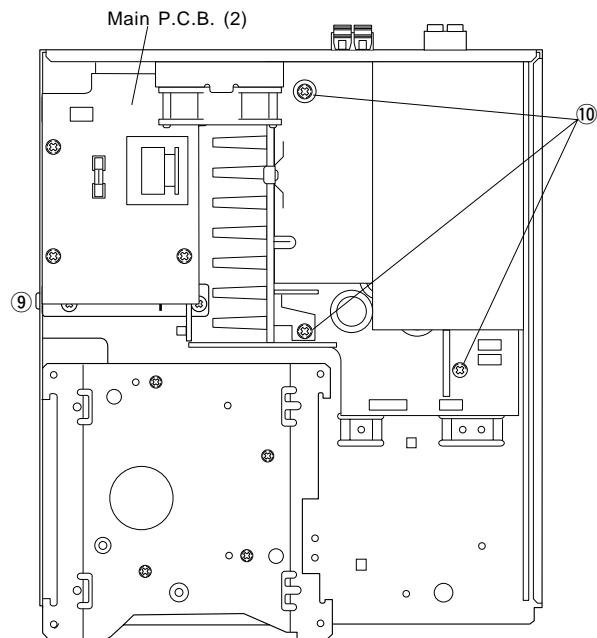


Fig. 7

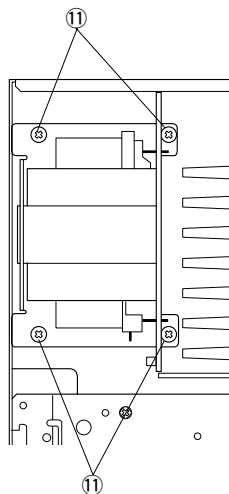


Fig. 8

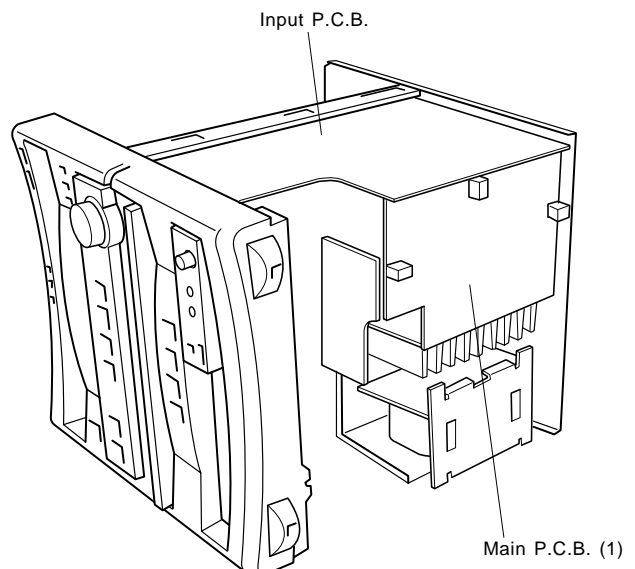


Fig. 9

**7. Removal of Tray & Traverse Unit**

- a. Remove 2 screws ( 12 ) and then remove the Clamper Bracket in Fig. 10.
- b. Remove 1 screw ( 13 ) and then remove the Lever Switch in Fig. 10.
- c. Disconnect the Flat Connecting Cable ( 9P ) in Fig. 10.
- d. Push the Friction Arm ( the bottom side of the CD Mechanical Unit ) with a screwdriver or the like and pull out the Tray forward as in Fig. 10.
- e. Unhook 1 Tray hook in Fig. 11 and pull out the Tray.
- f. Remove 4 screws ( 14 and 15 ) in Fig. 12.
- g. Disconnect the Flat Connecting Cable ( 16P ) and connectors ( 6P ).
- h. Take out the Traverse Unit with the Slider Cam and the TU Holder in Fig. 12.
- i. Remove 2 screws ( 16 ) and then remove the TU Holder in Fig. 12.

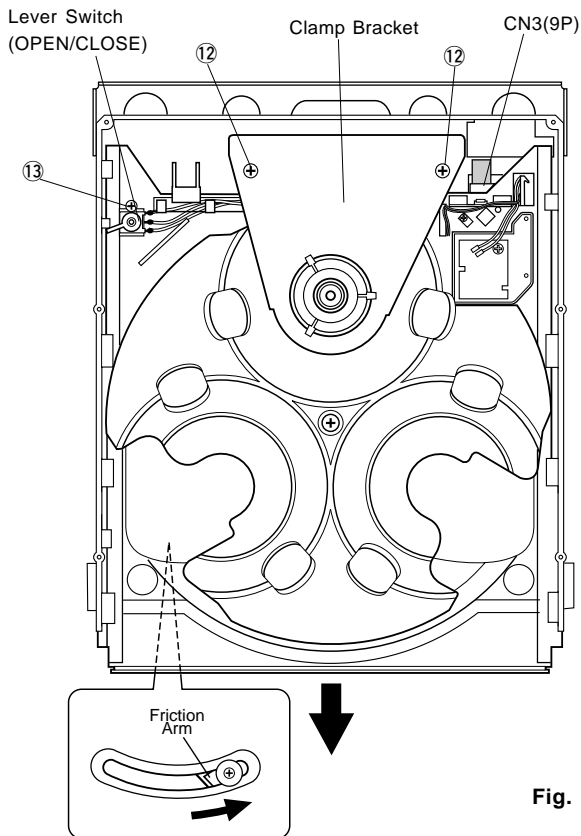


Fig. 10

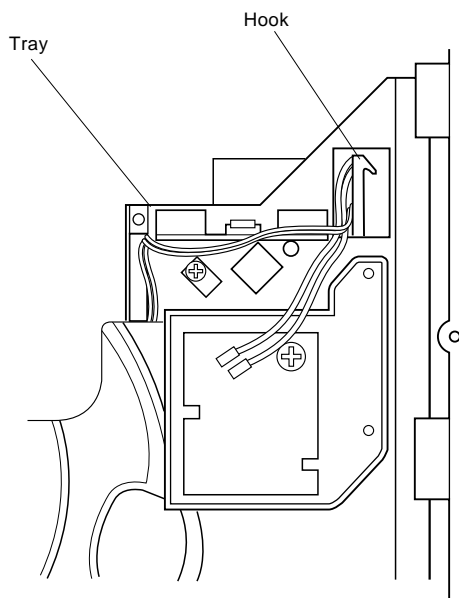


Fig. 11

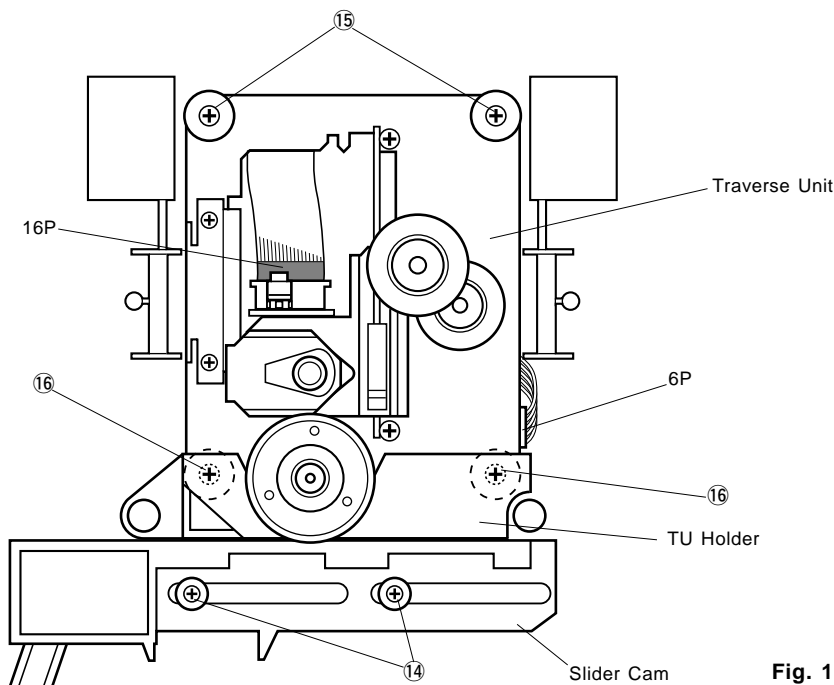


Fig. 12

GX-707/MCD



**8. Removal of Pick-up Head**

- a. Remove a washer ( 17 ) and then remove the Driving Gear in Fig. 13.
- b. Remove 2 screws ( 18 ), pull out the Guide Rod and then remove the Pick-up Head in Fig. 13.

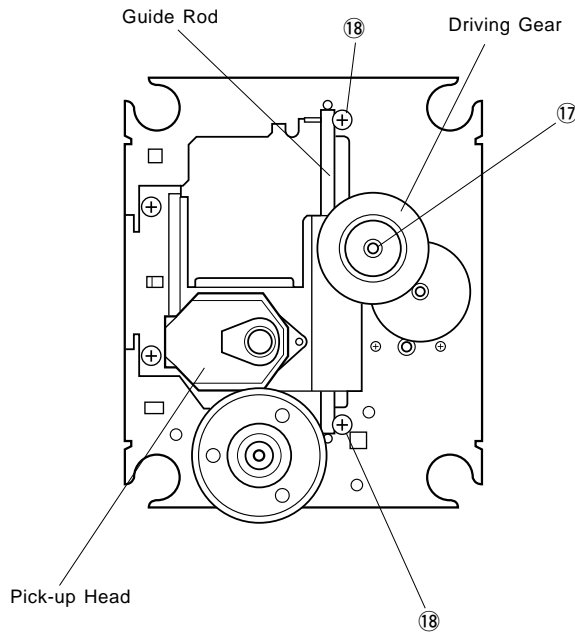


Fig. 13

- Check that the disc table height is as specified below.

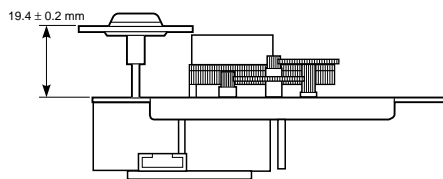


Fig. A

**9. Removal of Cassette Mechanism**

Remove 4 screws ( 19 ) and then pull out the Cassette Mechanism in Fig. 14.

**10. Removal of Main Motor**

Remove 2 screws ( 20 ) in Fig. 14.

**11. Removal of Pinch Roller**

Detach the hook and then remove the Pinch Roller in Fig. 15.

**12. Removal of Head Ass'y**

- a. Remove 1 screw ( 21 ) and then remove the Relay P.C.B. in Fig. 15.
  - b. Remove 2 screws ( 22 ) and then remove the Head Ass'y in Fig. 15.
- \* Perform the azimuth adjustment after installing the Head Ass'y.

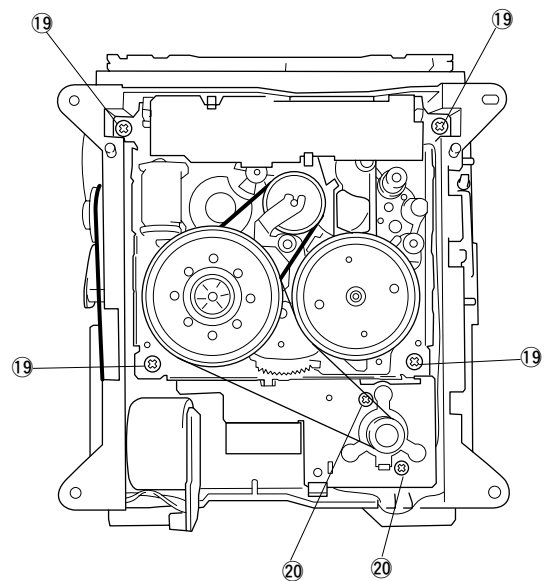


Fig. 14

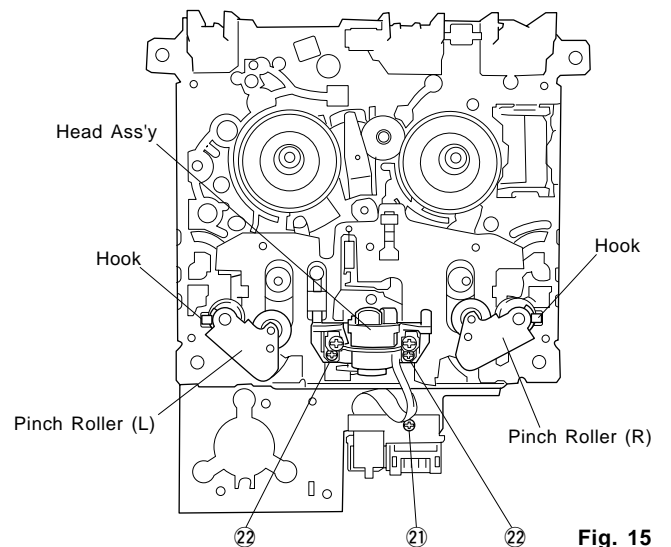
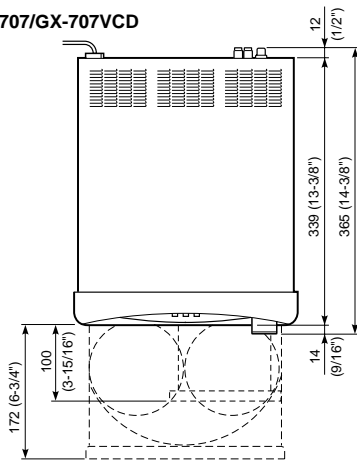


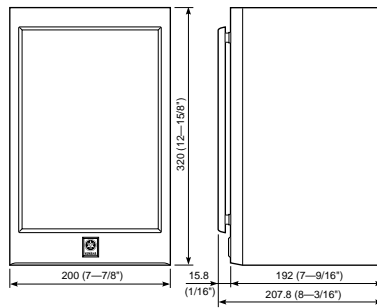
Fig. 15

● DIMENSIONS

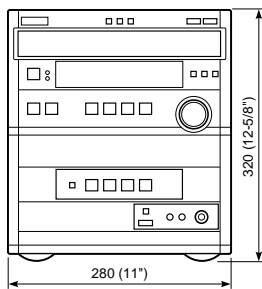
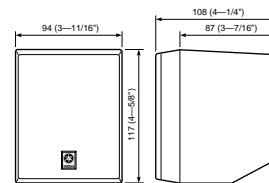
● GX-707/GX-707VCD



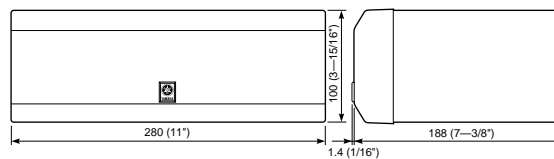
● NX-GX505



● NX-E707



● NX-C707



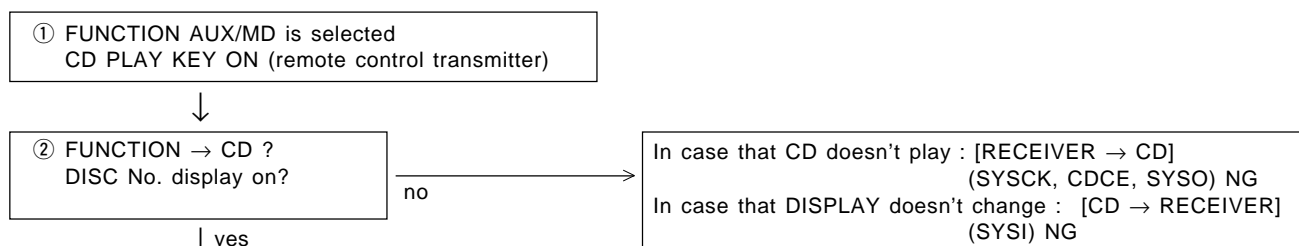
Unit : mm (inch)

■ VOLUME RANGE

DISPLAY	dB	DISPLAY	dB	DISPLAY	dB
VOL MIN	-∞	VOL 10	-55	VOL 56	-9
VOL 01	-79	VOL 11	-54	VOL 57	-8
VOL 02	-73	.	1dB step	VOL 58	-7
VOL 03	-68			VOL 59	-6
VOL 04	-64			VOL 60	-5
VOL 05	-61			VOL 61	-4
VOL 06	-59			VOL 62	-3
VOL 07	-58			VOL 63	-2
VOL 08	-57			VOL 54	-11
VOL 09	-56	VOL 55	-10	VOL MAX	0

NOTE) When VOLUME is at minimum, AMP MUTE is on.

■ SYSTEM CONTROL CHECK



SYSCK: Pin 20 of IC8  
 CDCE: Pin 25 of IC8  
 SYSO: Pin 21 of IC8  
 SYSI: Pin 22 of IC8

## ■ TEST MODE

To facilitate inspection, measurement and location of any faulty point, 6 types of built-in Test Modes are provided, one for each section.

- System Test Mode : Test mode for the system section. It is also used when entering the test mode for each section.
- Receiver Test Mode : Test mode for the receiver section
- Tape Test Mode : Test mode for the deck section
- CD Test Mode : Test mode for the CD section
- MD Test Mode : Test mode for the MD section (unused for this unit)
- All Function Test Mode : Test mode for all functions

## ■ SYSTEM TEST MODE

This test mode is used for the system section. Also, this mode must be executed first when entering the test mode for each section.

### Starting Procedure

In the STANDBY mode, press the STANDBY/ON button while pressing the RANDOM button and the PLAY/PAUSE(CD) button simultaneously. Once the SYSTEM TEST MODE is set, causal factors for the previous power off appear on the FL display.

Causal factors for power off at starting

Display	Description
<Key Operate	Power off by button operation
<Off Timer	Power off by Off Timer setting
<Sleep Timer	Power off by Sleep Timer function
<Auto Off	Power off by Auto Power Off function
<I-Protect	Power off by detection of an abnormal current value
<V-Protect	Power off by detection of an abnormal voltage value
<Temp Over	Power off by detection of an abnormal temperature value
<AC Cut	Power off by AC power cut
<??	Unknown

### Operation Procedure (Selection/finalizing of TEST MODE for each section)

- 1) Select the TEST MODE by the section name, pressing the ▷INPUT (up) or ◁INPUT (down) button.

Display	Description	Ref. page
<Key Operate	Causal factors for power off are displayed. (This state is available immediately after starting.)	14
Test RECEIVER	RECEIVER TEST MODE	15
Test TAPE	TAPE TEST MODE	16
Test CD	CD TEST MODE	17
Test MD	MD TEST MODE (Unused for this unit)	—
Test All Func	ALL FUNCTION TEST MODE	18
Escape Test	The test mode is canceled.	—

- 2) Pressing the MUSIC button will shift the mode to the selected test mode.  
For the details of the selected test mode, refer to the Ref. page in the above step 1).

## RECEIVER TEST MODE

When the RECEIVER TEST MODE is set through the SYSTEM TEST MODE, "01 G.E.TEST" appears on the FL display. (01 is the test program No.)

Test programs from 01 to 25 are incorporated in RECEIVER TEST MODE.

### Operation Procedure (Selection/execution of Test Program)

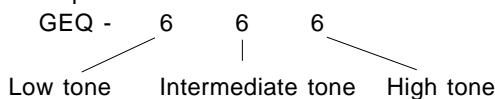
- 1) Select the test program by pressing the  $\triangleright$ TAPE (up) or  $\triangleleft$ TAPE (down) button.
- 2) Pressing the STANDBY/ON button will execute the selected test program.
- 3) Repeat selection/execution of the test program as necessary.

No. & DISPLAY	FUNCTION	PURPOSE & OPERATION
01 G , E , TEST	Equalizer check mode	Used to check EQ. Pressing the STANDBY/ON button will set the Equalizer Test mode. For the details, refer to page 16.
02 FL + CLEAR	FL display full lighting, RAM CLEAR	Used for lighting of all display segments and clearing of RAM. (Note that the user memory will be cleared.) At the first pressing of the STANDBY/ON button, all display segments light up and at the second pressing, MEMORY and M-CLEAR light up for 2 seconds and RAM of CPU is initialized. (The normal operating mode is restored.) (Presetting of the tuner becomes the manufacturer preset state.)
03 FL FULL	FL display full lighting	Used to check lighting of all display segments. At the first pressing of the STANDBY/ON button, all display segments light up and at the second pressing, this mode is canceled. (The normal operating mode is restored.)
04 APO - ON/OFF 05 RDS - OFF/ON 06 A , PS - ON/OFF 07 A , M , - RDS/ALL 08 CT > C - ON/OFF 09 L > CT - ON/OFF 10 PSR2 - ON/OFF 11 RTBL - ON/OFF 12 SEC - OFF/ON	Do not use No. 04 to 12 functions as they are not for servicing.	
13 Temp	Temperature Detection & Fan Control	Used to check the fan. Pressing the STANDBY/ON button sets the fan test mode. (The detected temperature and the fan control level are displayed. For the details, refer to page 16.)
14 PEAK - ON/OFF 15 AMPC - OFF/ON 16 CDCH - ON/OFF 17 REM CODE 18 L , EN - ON/OFF 19 ALL CH > 20 RDS E / F 21 SUR TEST 22 KEYC - OFF/ON 23 AM - IF	Do not use No. 14 to 23 functions as they are not for servicing.	
24 CANCEL	Used to cancel the test program. (The normal operating mode is restored when the STANDBY/ON button is pressed.)	
25 DEST	Destination display mode	

### Equalizer test mode (Test program No. 01)

When the equalizer test mode is set, "GEQ - xxx" is displayed. "xxx" represents the 3 band value of GEQ. It is possible to set the GEQ value directly, using the buttons on the remote control unit.

Example : To obtain flat



Displayed value	0	1	2	3	4	5	6	7	8	9	A	B	C
Gain (dB)	-12	-10	-8	-6	-4	-2	0	+2	+4	+6	+8	+10	+12

#### Operation Procedure

- To set a value for each band  
[ 0 ] to [ 9 ], [ A(TIME) ], [ B(PROG) ], [ C(R.TIME) ]
- To set all bands to Min (-12dB)  
[ D(EDIT) ]
- To set all bands to Max (+12dB)  
[ E(+10) ]
- To cancel this test mode, press the STANDBY/ON button. (The normal operating mode will be restored.)

### Fan test mode (Test program No. 13)

When the fan test mode is set, "Temp xx y" is displayed. "xx" represents the detected temperature of the Power IC and "y" the value of the fan control level. It is possible to run the fan regardless of the detected temperature.

#### Operation Procedure

Pressing the ▷INPUT (up) or ◁INPUT (down) button causes the fan control level value to change. To cancel this test mode, press the STANDBY/ON button. (The normal operating mode will be restored.)

#### ● FACTORY PRESET

BAND	MARKETS	PRESET No.							
		1	2	3	4	5	6	7	8
FM (MHz)	U, C, R, T (100k/10k)	98.1	95.1	87.5	101.5	107.9	88.1	106.1	107.9
	A, B, G, L, R, T (50k/9k)	98.10	95.10	87.50	101.50	108.00	88.10	106.10	107.90
AM (kHz)	U, C, R, T (100k/10k)	630	1080	1400	530	1710	900	1350	1440
	A, B, G, L, R, T (50k/9k)	630	1080	1404	531	1611	900	1350	1440

NOTE 1) PRESET PAGE ..... A : FM B : AM C : FM D : AM E : FM

**CAUTION :** When executing Test program No. 2 RAM CLEAR, be sure to write down the preset memory contents of the tuner, using a table like the one shown below. Execution of RAM CLEAR will set the memory contents of the tuner back to the factory preset state which means that all the memories preset by the user will be erased.

Preset group	P1	P2	P3	P4	P5	P6	P7	P8
A								
B								
C								
D								
E								

### ■ TAPE TEST MODE

When the TAPE TEST MODE is set through the SYSTEM TEST MODE, "Tape Test XXXX" appears on the FL display. (XXXX is the counter value.)

The operating condition of the deck section will be as follows.

- When the reverse mode is set to "endless", the number of playback repetition becomes unlimited. (It is set to "8" times in the normal operating mode.)
- When in the REC mode, AUX/MD is used automatically for the input source.

## ■ CD TEST MODE

When the CD TEST MODE is set through the SYSTEM TEST MODE, "00 TM1 0: 00" appears on the FL display.

The CD TEST MODE is enabled. Each button operates as follows for each mode. The MODE No. is increased by pushing "+10" button.

Button	MODE 1	MODE 2	MODE 3
" 0 "	Open/close the tray	Focus search	Cancel adjust pass *2
" 1 "	Clamp up/down	Play (PLL)	Auto adjustment mode 1 *1 Tracking Offset, Focus Offset, Focus Gain
" 2 "	DISC change	Play (without PLL)	Auto adjustment mode 2 *1 Tracking Balance, Tracking Gain
" 3 "	Mechanism home process	Focus on, Tracking off, Feed off	Auto adjustment mode 3 *1 Focus Gain, Tracking Gain, Focus Balance
" 4 "	Jump to test mode 4	+10 track kick	Read and display the servo coefficient
" 5 "	Tray close, Clamp down	-10 track kick	Displayed servo coefficient address up
" 6 "	—	+1 track kick	Displayed servo coefficient address down
" 7 "	Enter normal operation (without mecha. INIT.)	-1 track kick	Displayed servo coefficient increment
" 8 "	Enter normal operation	+30 track kick	Displayed servo coefficient decrement
" 9 "	Start TEST REPEAT (Do not use this function as it is not for servicing.)	-30 track kick	Send the displayed servo coefficient *2

Button	MODE 4	MODE 5 (GX-707VCD only)
" 0 "	Feed forward (outer direction)	CD-ROM module load
" 1 "	Feed backward (inner direction)	CD-G module load
" 2 "	Rotate the disc motor	Decoder play command
" 3 "	Retard the disc motor	Decoder pause command
" 4 "	port TBLL ← Low, port TBLR ← High	Decoder abort command
" 5 "	port TSLW High/Low alternate	Decoder soft reset
" 6 "	Tray port control (open/close)	Decoder hard reset
" 7 "	Line mute on/off	—
" 8 "	—	—
" 9 "	Jump to Test mode 1	—

\*1 "Adj-" lights during the adjustment and disappears at the end of the adjustment.

\*2 When the mode is reset to the normal operating mode after the servo coefficients are reset by this operation, auto adjustment is not available unless the auto adjustment pass function is cancelled.

The following buttons test mode functions do not depend on the test mode No.

<b>OPEN/CLOSE</b>	Open/close the tray
<b>DISC CHANGE</b>	Clamp up/down
<input type="checkbox"/> <b>(STOP)</b>	Controls for the tray, the disc table and clamping stop. STANDBY command for the servo system.
<input type="checkbox"/> / <input type="checkbox"/>	Play (PLL)
<input type="checkbox"/>	Feed forward (outer direction)
<input type="checkbox"/>	Feed backward (inner direction)
<b>DISC 1</b>	Tray close, clamber down

### [VCD Module condition check]

If the VCD module is in a good condition, the blue background appears on the monitor screen when in the CD test mode.

If the blue background does not appear, the possibility is that the VCD module has failed.

NOTE: None of the components of the VCD module can be supplied separately. Only a VCD module unit (VZ150200) is available.

## ■ ALL FUNCTION TEST MODE

When ALL FUNCTION TEST MODE is set through SYSTEM TEST MODE, "AUX/MD" appears on the FL display.

The operation condition in this mode will be as follows.

- AUX/MD is used as the input source of the receiver section, which is then set to the Dolby Pro Logic mode (GX-707VCD only).
- When a CD is loaded, Full Repeat Play is executed automatically for it.
- When a cassette tape is loaded, Endless Rec Play is executed by the cassette deck automatically.

## ■ CD ERROR MESSAGES

The error message can be obtained on the display by pushing the STOP and TIME buttons simultaneously when the CD has stopped (sometimes with the tray open) by a defect.

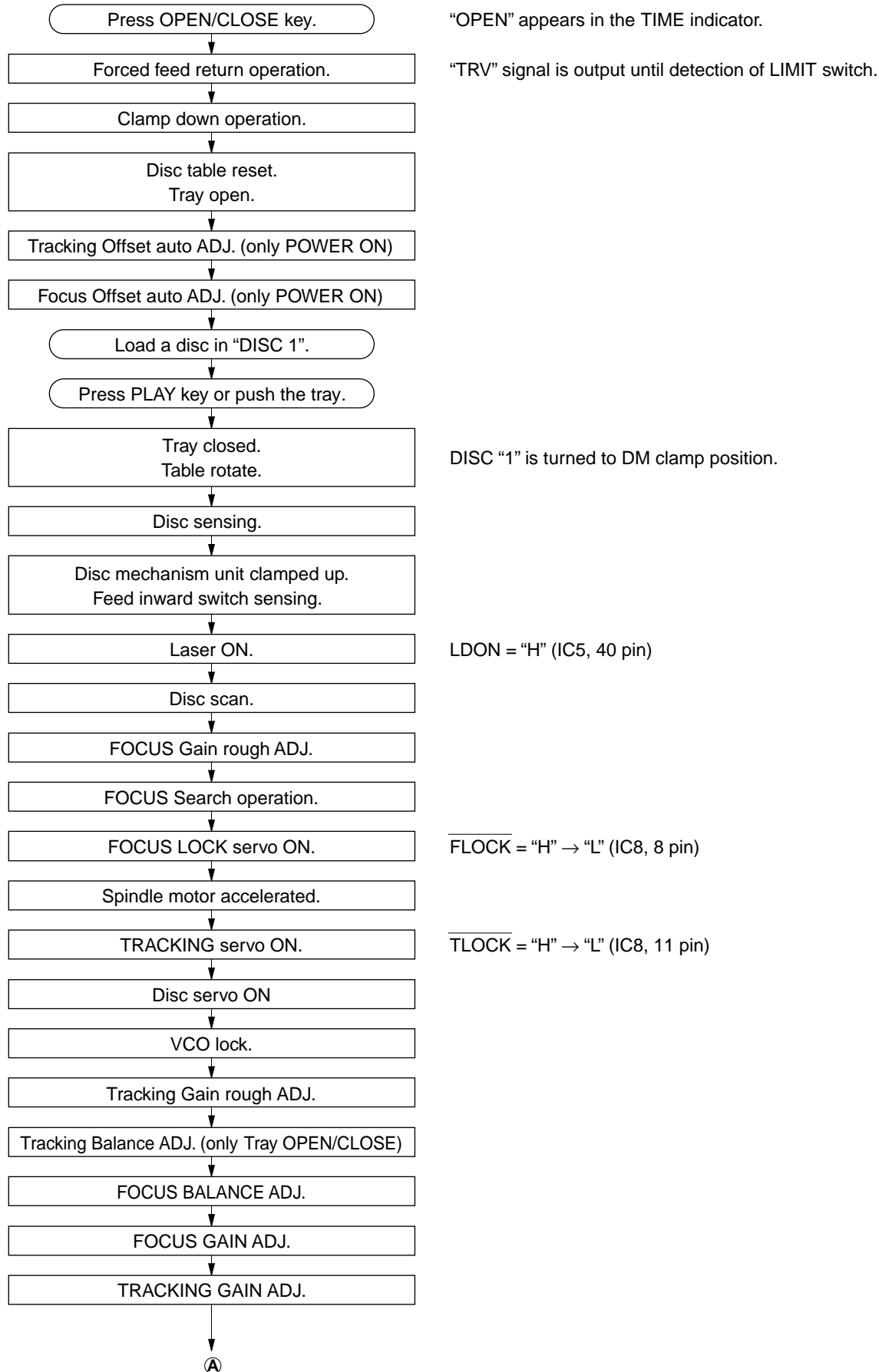
INDICATION	STATE	CONTENTS OF ERROR
E-10	PLAY	CD fails in the disc data reading after the state shift.
E-20	SCAN	
E-30	PAUSE	
E-70	SEARCH	
E-11	PLAY	CD fails in the disc data reading.
E-21	SCAN	
E-31	PAUSE	
E-73	SEARCH	CD fails in the TOC data reading.
E-04	LOAD, SEARCH	Tracking servo is not effective at the disc motor servo PLL.
E-14	LOAD, SEARCH	Disc motor servo PLL is not effective.
E-35		CD fails in focus search.
E-06	SEARCH, PLAY, PAUSE	CD fails in escaping from the lead-in area.
E-47	SEARCH	The inner limit switch does not operate at the feed inner control.
E-57	STOP	
E-77	LOAD, EJECT, CHANGE	
E-18	PLAY	CD fails in recovery from the focus out.
E-28	SCAN	
E-38	PAUSE	
E-48	SEARCH	
E-68	LOAD, DISC CHANGE	
E-AA		Clamp down switch does not operate at the clamp down control.
E-AB		Clamp up switch does not operate at the clamp up control.
E-AC		Close switch does not operate at the tray close control.
E-AD		Open switch does not operate at the tray open control.
E-AE		CD fails in the table control.
E-AF		CD fails in the mecha. home process.
MN ERR		MN35511 does not give response of SENSE with resetting by the units microcomputer.

When "MECHA ER" message appears on the display;

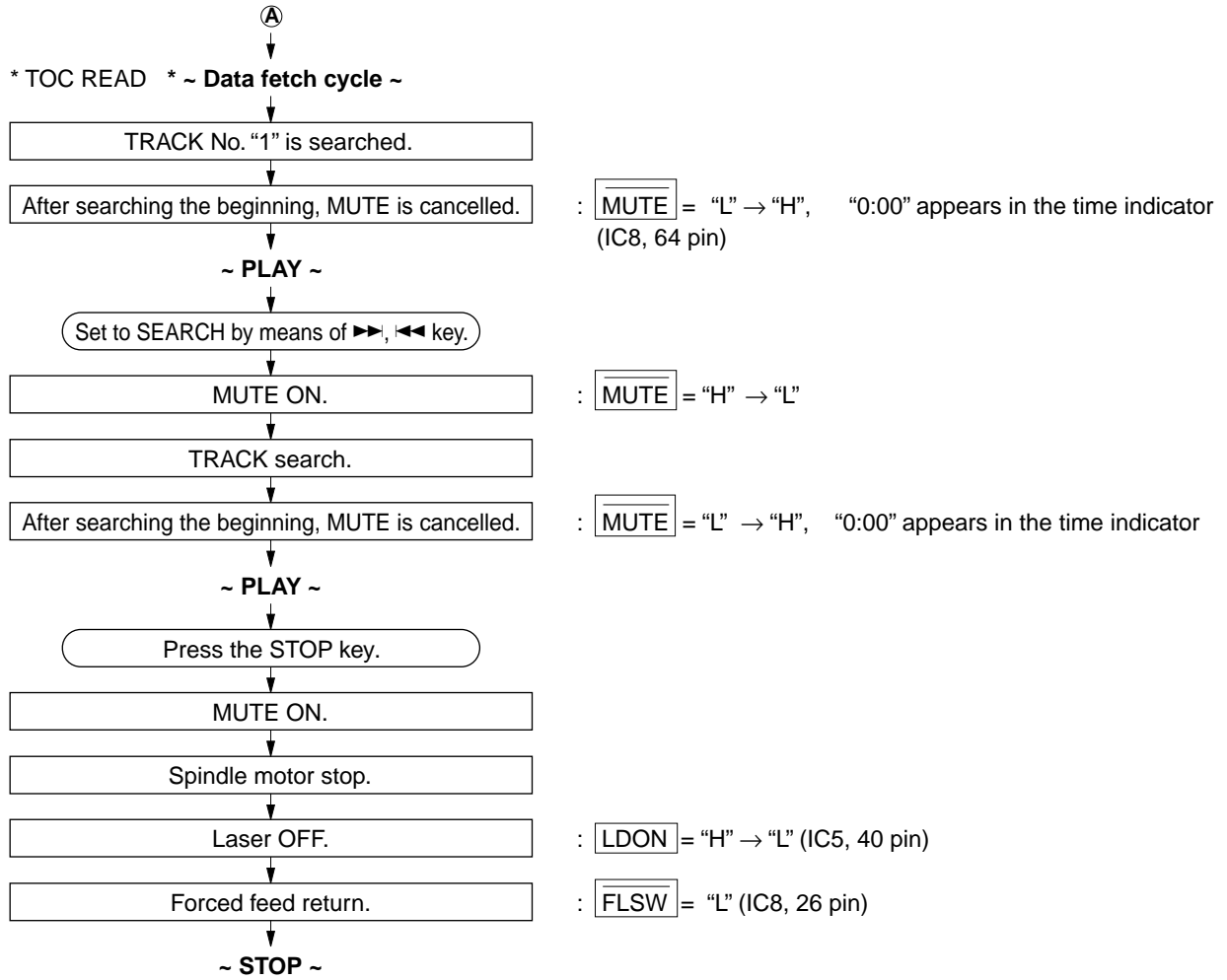
Possible symptoms are, the clamp does not move up or down, the table does not turn, mecha. sensor switch malfunctions, etc. The normal operation may be restored by tuning off the power once and then on again. If it does not work in this way, disassemble the CD mechanical unit and investigate the cause of the failure.

## ■ CD STANDARD OPERATION CHART

GX-707/MCD







## ■ ADJUSTMENTS (DECK SECTION ONLY)

### 1. Before adjustment

- Since head magnetization, dust accumulations, etc. are likely to introduce error in the various characteristics, it is very important that the heads are properly demagnetized and cleaned.
- Make adjustments of mechanical system, playback system and recording system in that order.
- Except for azimuth adjustment, adjust in the forward direction.
- Adjust using the TAPE TEST MODE (shown on page 16).

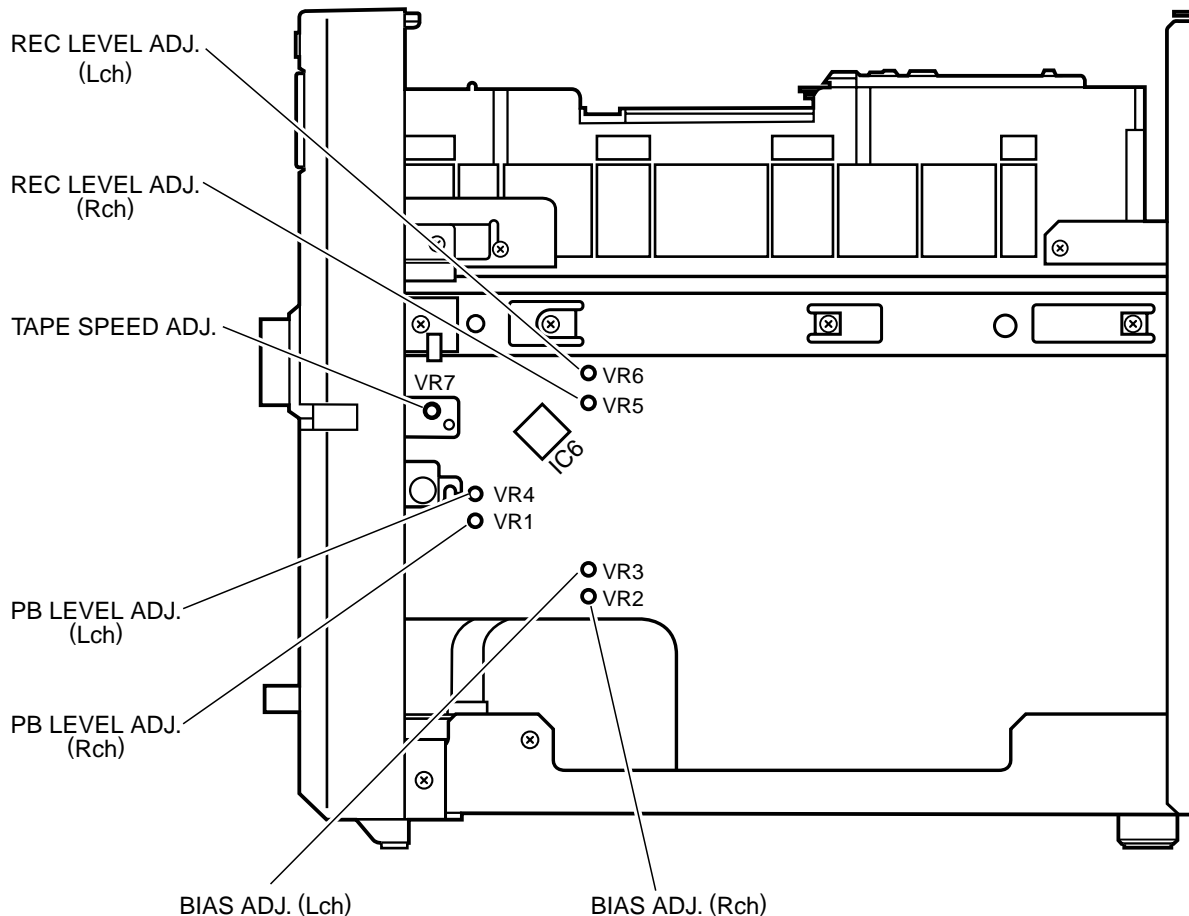
### 2. Instruments required

- Audio frequency oscillator
- ACVM or dual channel (ACVM)
- DCVM
- Wow/flutter meter
- Oscilloscope
- Frequency counter
- Torque meter
- TW-2111A (TX911580) ... Take up/back tension (FWD)
- TW-2121A (TX911570) .... Take up/back tension (RVS)
- CT-160L (TX911120) ..... FF/REW

### 3. Test tape required

- MTT-111N (TX911650) ..... Normal speed
- MTT-114N (TX911680) ..... Azimuth
- MTT-212N (TX911660) ..... Playback level
- MTT-256 (TX911300) ..... Playback frequency response (Normal)
- MTT-356 (TX911310) ..... Playback frequency response (CrO<sub>2</sub>)
- Reference tape
- Type I/Normal (LH) ..... TDK AC225 (VU167200)
- Type II/High (CrO<sub>2</sub>) ..... TDK AC514 (VU167300)

### ● Test point



“MECHANICAL ADJUSTMENT”

Step	Item to be Adjusted	Tape	Instrument required	Mode	Adjustment part	Rating	Remarks
1	Check each torque	CT-160L (FF, REW)	Torque meter	FF REW		FF, REW torque : within 70—160g/cm.	
		TW-2111A (FWD)		PLAY	Take up torque : 30—60g/cm.		
		TW-2121A (RVS)			Back tension : 1.5—6g/cm.		
2	Check FF, REW take up time	AC-514 (C-60)		FF REW		80 to 120 seconds.	
3	Azimuth	MTT-114N 10kHz, -10dB	ACVM Oscilloscope	PLAY	Azimuth adjustment screw. (Fig. A)	Playback output of L and R is maximum and phase difference should be minimum both directions. (Fig. B)	After the adjustment make sure to apply screw lock paint.
4	Tape Speed	MTT-111N 3kHz, -10dB	Frequency counter	PLAY	VR7	3000Hz ± 15Hz	Perform adjustment at the center of the test tape, if possible.
5	Wow/Flutter	MTT-111N 3kHz, -10dB	Wow/flutter meter	PLAY		Less than 0.19% (WRMS)	Confirm at center of the test tape, if possible.

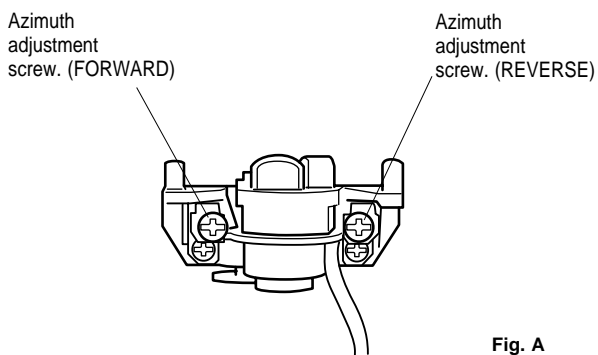


Fig. A

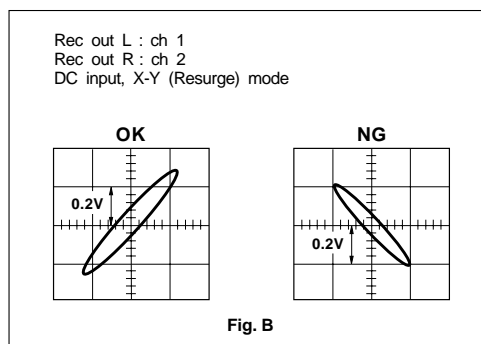


Fig. B

“ELECTRICAL ADJUSTMENT”

- Use 560 mV (250 nwb/m) for 0 dB as the standard level of the unit.  
0dB = 250 nwb/m (315 Hz) = - 7 dBV (Rec out level)

< Playback section >

Step	Item to be Adjusted	Tape	Instrument required	Mode	Points of measurement	Adjustment parts	Rating
1	Playback level (315Hz)	MTT-212N 315Hz, 250nwb/m	ACVM	PLAY	REC OUT	VR4 (L ch) VR1 (R ch)	- 7 dBV ± 0.3 dBV
2	Confirmation of playback frequency response	Test tape for frequency check. 3180μs + 120μs (LH) (MTT-256) 3180μs + 70μs (CrO <sub>2</sub> ) (MTT-356)	ACVM Oscilloscope	PLAY	REC OUT		Check that the 10kHz playback level is within 0 ± 3 dB of the 1kHz playback level. (Fig. C)

● PLAYBACK FREQUENCY RESPONSE

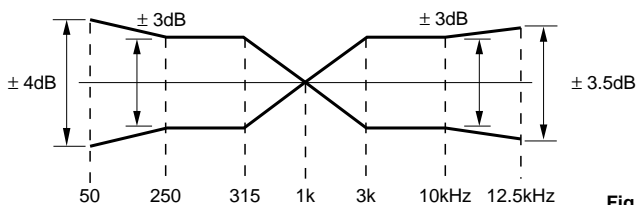


Fig. C

< Recording section >

Step	Item to be Adjusted	Tape	Instrument required	Mode	Measurement conditions	Points of measurement	Adjustment parts	Rating
1	Recording level	AC-514 High (CrO <sub>2</sub> )	ACVM Audio frequency oscillator	REC PLAY	Input 1 kHz Signal to AUX IN from Audio Frequency Oscillator. Adjust output level of Audio Frequency Oscillator so that the voltage of REC OUT becomes - 27 dBV.	REC OUT	VR6 (L ch) VR5 (R ch)	Adjust for equal record and playback levels. (- 27 dBV ± 0.3 dBV)
2	Recording bias (Total frequency response)	AC-514 High (CrO <sub>2</sub> )	ACVM Audio frequency oscillator	REC PLAY	Input 12.5 kHz Signal to AUX IN from Audio Frequency Oscillator. Adjust output level of Audio Frequency Oscillator so that the voltage of REC OUT becomes - 27 dBV.	REC OUT	VR3 (L ch) VR2 (R ch)	Adjust for equal record and playback levels. (- 27 dBV ± 0.3 dBV)
		AC-225 Normal (LH)						Adjust for equal record and playback levels. (Fig. D) Perform record bias adjustment of High (CrO <sub>2</sub> ) tape again, if the rating was not satisfied.
3	Confirmation of recorded level	AC-514 High (CrO <sub>2</sub> )	ACVM Audio frequency oscillator	REC PLAY		REC OUT		Confirm recorded level rating as in step 1. When recorded level rating is improper, go back to step 1 and also carry out adjustments in step 2 again.

● TOTAL FREQUENCY RESPONSE ( - 27 dBV)

Dolby NR B & OFF

Type I (Normal)/Type II (High)

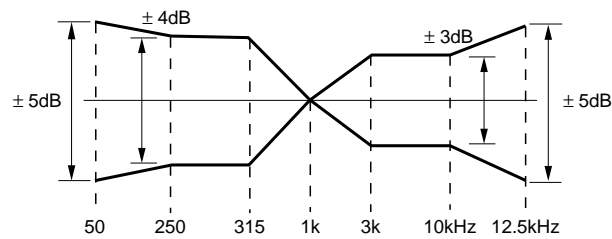
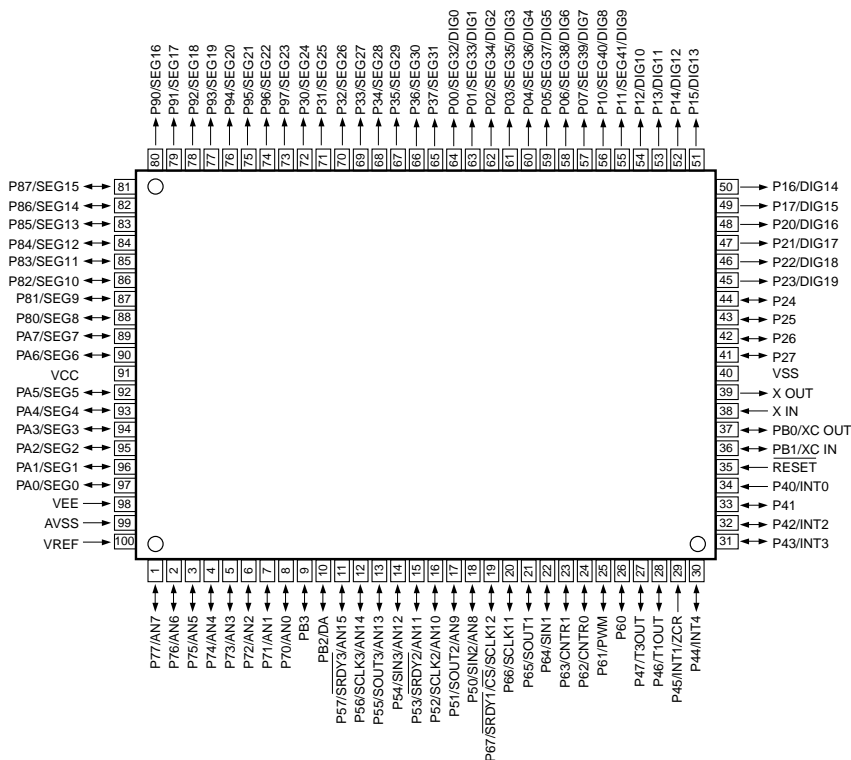


Fig. D

## IC DATA

IC8 : M38199EF [CD/VCD P.C.B.]

8 bit  $\mu$ -COM (CD CPU)



Pin No.	Port	Name	I/O	Function
1	P77	ADR	I	Tray table address detect SW
2	AN6	NTSC	I	Video out PAL/AUTO/NTSC select detect (GX-707VCD only)
3	P75	OPSW	I	Tray open SW
4	P74	/CLSW	I	Tray close SW
5	P73	/STOP	I	Tray table STOP position detect SW
6	P72	/UPSW	I	Clamper up SW
7	P71	/DWSW	I	Clamper down SW
8	P70	/FLOCK	I	Focus servo lock
9	PB3			Open
10	PB2			Open
11	P57	/TLOCK	I	Tracking servo lock
12	P56	/SCLK	O	Serial clock to servo LSI
13	P55	SOUT	O	Serial out to servo LSI
14	P54	SIN	I	Serial in from servo LSI (Q-code or SENSE)
15	P53	HSEL	O	Address/data select signal (GX-707VCD only)
16	P52	/SCLKD	O	Serial clock from decoder (GX-707VCD only)
17	P51	SOD	O	Serial out to decoder (GX-707VCD only)
18	P50	SID	I	Serial in from decoder (GX-707VCD only)
19	P67	/CS	I	System communication chip enable
20	P66	/DCLK	I	Serial clock from system $\mu$ -COM (Auto transfer)
21	P65	DSO	O	Serial out to system $\mu$ -COM
22	P64	DSI	I	Serial in from system $\mu$ -COM
23	P63	STAT	I	Servo status signal
24	P62			Not used
25	P61			Not used
26	P60	/FLSW	I	Feed origin SW
27	P47	/HRDY	I	Decoder data out OK signal (GX-707VCD only)
28	P46			Open
29	INT1	BLKCK	I	Q-code read OK signal
30	INT4			Open

## IC8 : M38199EF [CD/VCD P.C.B.]

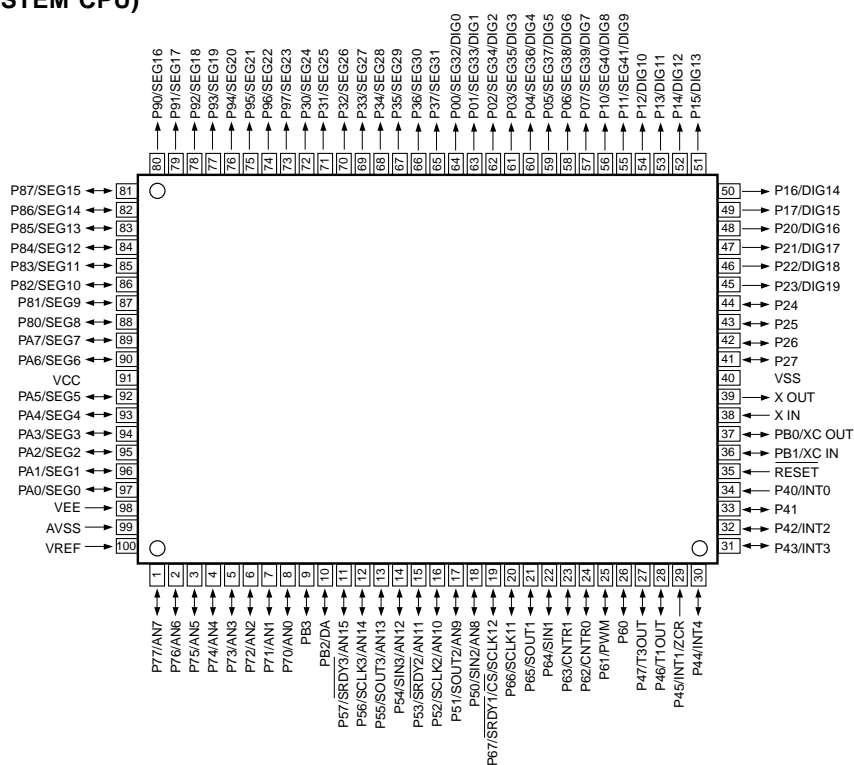
8 bit  $\mu$ -COM (CD CPU)

Pin No.	Port	Name	I/O	Function
31	INT3			Open
32	INT2	/HINT	I	Decoder interrupt signal (GX-707VCD only)
33	P41	DEPH	O	De-emphasis control (GX-707VCD only)
34	INT0	/CSINT	I	System $\mu$ -COM data automatic transfer initialize, start signal
35	/RESET	RESET	I	Reset
36	XCIN	XCIN		Open
37	XCOU	XCOU		Open
38	XIN	XIN	I	8 MHz (MAIN CLOCK)
39	XOUT	XOUT	O	8 MHz (MAIN CLOCK)
40	VSS	GND		GND
41	P27	K3	I	Not used
42	P26	K2	I	Not used
43	P25	K1	I	Not used
44	P24	K0	I	Not used
45	P23	KD3	O	Not used
46	P22	KD2	O	Not used
47	P21	KD1	O	Not used
48	P20	KD0	O	Not used
49	P17		O	Not used
50	P16		O	Not used
51	P15		O	Not used
52	P14		O	Not used
53	P13		O	Not used
54	P12	/DECRST	O	Decoder reset (GX-707VCD only)
55	P11	DRV	O	Servo driver on
56	P10	FCSG	O	Focus gain high (NC)
57	P07	TROP	O	Tray open control signal (implied clamper control)
58	P06	TRCL	O	Tray close control signal
59	P05	TBL +	O	Tray table revolution
60	P04	TBL -	O	Tray table brake
61	P03			Open
62	P02	/MNRST	O	Servo LSI reset signal
63	P01		O	Open
64	P00	/MUTE	O	Line mute
65	P37	/PON	O	Servo LSI power ON control
66	P36		O	Open
67	P35	DMUTE	O	Digital mute
68	P34	/MLD	O	Microprocessor command store request
69	P33	CMDSEL	O	Serial 2 $\rightarrow$ $\mu$ -COM command
70	P32	QSEL	O	Serial 2 $\rightarrow$ Q-code reed
71	P31	DOSEL	O	Decoder serial I/O out select (GX-707VCD only)
72	P30	/TSPD	O	Tray table revolution speed control (H : Low speed)
73	P97	VMUTE	O	Video mute (GX-707VCD only)
74	P96		O	Not used
75	P95		O	Not used
76	P94		O	Not used
77	P93		O	Not used
78	P92		O	Not used
79	P91		O	Not used
80	P90		O	Not used
81	P87		O	Not used
82	P86		O	Not used
83	P85		O	Not used
84	P84		O	Not used
85	P83		O	Not used
86	P82		O	Not used
87	P81		O	Not used
88	P80		O	Not used
89	PA7		O	Not used
90	PA6		O	Not used
91	VCC	VCC		+5V

**IC8 : M38199EF [CD/VCD P.C.B.]**  
**8 bit μ-COM (CD CPU)**

Pin No.	Port	Name	I/O	Function
92	PA5		O	Not used
93	PA4		O	Not used
94	PA3		O	Not used
95	PA2		O	Not used
96	PA1		O	Not used
97	PA0		O	Not used
98	VEE	VEE		GND
99	AVSS	AVSS		GND (VSS)
100	VREF	VREF		+5V (VCC)

**IC8 : M38199EF [INPUT P.C.B.]**  
**8 bit μ-COM (SYSTEM CPU)**



No.	Port	Name	I/O	Function
1	AN7	MSEL	I	MODEL/PRO LOGIC MODE DETECT (A-D)
2	AN6	SPEIN	I	SPECTRUM ANALYZER (BA3835F) IN (A-D)
3	AN5	DSEL	I	MARKET SELECT IN (A-D)
4	AN4	KEY4	I	KEY 4 IN (A-D)
5	AN3	KEY3	I	KEY 3 IN (A-D)
6	AN2	KEY2	I	KEY 2 IN (A-D)
7	AN1	KEY1	I	KEY 1 IN (A-D)
8	AN0	KEY0	I	KEY 0 IN (A-D)
9	PB3			OPEN
10	DA	FAN	O	FAN CONTROL OUT
11	AN15	THER	I	AMP THERMAL DETECT
12	SCLK3	FLCLK	O	SERIAL CLOCK FOR FL DRIVER M66004
13	SO3	FLDATA	O	SERIAL OUT FOR FL DRIVER M66004
14	SI3			OPEN
15	AN11	VPRT	I	ABNORMAL VOLTAGE DETECT

## IC8 : M38199EF [INPUT P.C.B.]

8 bit  $\mu$ -COM (SYSTEM CPU)

No.	Port	Name	I/O	Function
16	SCLK2	TUCLK	O	LC72131/LC72720/M65853FP/LA2787/LV1017/LC75393/LC7536Y CLK OUT
17	SO2	TUDO	O	LC72131/LC72720/M65853FP/LA2787/LV1017/LC75393/LC7536Y DATA OUT
18	SI2	TUDATA	I	LC72131/LC72720 DATA IN
19	P67	/STAD	I	STATION IN (TUNER) [L : STATION AVAILABLE]
20	SCLK1	YSCK	O	SYSTEM COMMAND CLOCK
21	SO1	YSO	O	SYSTEM COMMAND OUT
22	SI1	YSI	I	SYSTEM COMMAND IN
23	P63	TUMUTE	O	TUNER MUTE [H : MUTE ON]
24	P62	/AMPMUTE	O	AMP MUTE [L : MUTE ON]
25	P61	CDCE	O	SYSTEM COMMUNICATION CD CE
26	P60	CDRES	O	CD RESET
27	P47	MDCE	O	SYSTEM COMMUNICATION MD CE
28	P46	MDRES	O	MD RESET
29	INT1	ACIN	I	POWER DOWN AC PULSE IN
30	INT4	PDN	O	MD POWER DOWN
31	INT3			OPEN
32	INT2	REMO	I	REMOTE CONTROL SIGNAL IN
33	P41	STEIN	I	TUNER STEREO/MONO DETECT
34	INT0			OPEN
35	/RESET	RESET	I	RESET
36	XCIN	XCIN	I	32.768 kHz IN (SUB CLOCK)
37	XCOU	XCOU	O	32.768 kHz OUT (SUB CLOCK)
38	XIN	XIN	I	8 MHz IN (MAIN CLOCK)
39	XOUT	XOUT	O	8 MHz OUT (MAIN CLOCK)
40	VSS	GND	O	GND
41	P27	SPEA	O	SPECTRUM ANALYZER (BA3835F) A OUT
42	P26	SPEB	O	SPECTRUM ANALYZER (BA3835F) B OUT
43	P25	SPEC	O	SPECTRUM ANALYZER (BA3835F) C OUT
44	P24	SPESEL	O	SPECTRUM ANALYZER (BA3835F) SEL OUT
45	P23	DLCE	O	LA2787/LV1017 CE
46	P22	KALATCH	O	KARAOKE IC M65853 LATCH
47	P21	FLRES	O	FL DRIVER RESET
48	P20	FLCE	O	FL DRIVER CE
49	P17	TUCE	O	LC72131/LC72720/LC75393 CE
50	P16	STLED	O	STANDBY LED ON [H : LED ON]
51	P15	TMLED	O	TIMER LED ON [H : LED ON]
52	P14	/BC	O	PRO LOGIC IC CONTROL-BC (Note 1)
53	P13	TEST0	O	TEST PORT
54	P12	TEST1	O	TEST PORT
55	P11	DSEL0	O	MD DIGITAL INPUT SELECT
56	P10	DSEL1	O	MD DIGITAL INPUT SELECT
57	P07	PRON	O	POWER RELAY CONTROL [H : ON]
58	P06	SRON	O	SPEAKER RELAY CONTROL [H : ON]
59	P05	/SMUTE	O	SUB WOOFER MUTE [L : MUTE ON]
60	P04	/A	O	PRO LOGIC IC CONTROL-A [H : ON] (Note 1)
61	P03	/YMA	O	Y MERSION ON [L : ON]
62	P02	IN1B	O	4052 INPUT SELECT (Note 2)
63	P01	IN1A	O	4052 INPUT SELECT (Note 2)
64	P00	IN2A	O	4052 INPUT SELECT (Note 3)
65	P37	IN2B	O	4052 INPUT SELECT (Note 3)
66	P36	RECA	O	4066 CONTROL
67	P35	RECB	O	4066 CONTROL
68	P34	VSEL0	O	LA7956 INPUT SELECT (Note 4)
69	P33	VSEL1	O	LA7956 INPUT SELECT (Note 4)
70	P32	VCR	O	VCR REC INHIBIT [H : INHIBIT]
71	P31	PBMUTE	O	DECK PLAYBACK MUTE
72	P30	RMUTE	O	DECK REC MUTE
73	P97	REC	O	DECK AMP REC
74	P96	BIAS	O	DECK BIAS ON
75	P95	DOLBY	O	DOLBY ON



## IC8 : M38199EF [INPUT P.C.B.]

8 bit  $\mu$ -COM (SYSTEM CPU)

No.	Port	Name	I/O	Function
76	P94	TPEQ	O	TAPE EQUALIZER SELECT [ H : 120 $\mu$ ]
77	P93	SOL	O	DECK SOLENOID ON
78	P92	CPM	O	DECK CAPSTAN MOTOR ON
79	P91	CLOSE	O	TAPE LOADING MOTOR CLOSE
80	P90	OPEN	O	TAPE LOADING MOTOR OPEN
81	P87	ENVA	I	VR ENCODER A
82	P86	ENVB	I	VR ENCODER B
83	P85	ENMA	I	MD ENCODER A
84	P84	ENMB	I	MD ENCODER BHEAD PHONE DETECT [ L : HP DETECT]
85	P83	/HP	I	MIC DETECT
86	P82	MIC	I	CASSETTE IN DETECT
87	P81	CASS	I	DECK MECHA PLAY POSITION DETECT
88	P80	PLSW	I	CrO2 (70 $\mu$ s) POSITION DETECT
89	PA7	CRO2	I	AMP OVER CURRENT DC VOLTAGE DETECT [ L : ABNORMAL DETECT]
90	PA6	/IPRT	I	+5V
91	VCC	+5V		DECK CLOSE SW
92	PA5	CLSW	I	REC INHIBIT FORWARD (SIDE-A)
93	PA4	RECINHF	I	REC INHIBIT REVERSE (SIDE-B)
94	PA3	RECINHR	I	DECK OPEN SW
95	PA2	OPSW	I	REEL MOTOR PULSE DETECT
96	PA1	REEL	I	TAPE MUSIC SENSOR
97	PA0	MUSIC	I	GND
98	VEE	VEE		GND
99	AVSS	AVSS		+5V
100	VREF	VREF		

## (Note 1) Pin 52, 60

/BC (Pin 52)	/A (Pin 60)	PROGRAM
0	0	OFF YMERSION
1	0	PROLOGIC 3STEREO HALL
0	1	TEST MODE

## (Note 2) Pin 62, 63

IN1B (Pin 62)	IN1A (Pin 63)	FUNCTION
0	0	AUX
0	1	TUNER
1	0	TAPE
1	1	CD/VCD

## (Note 3) Pin 64, 65

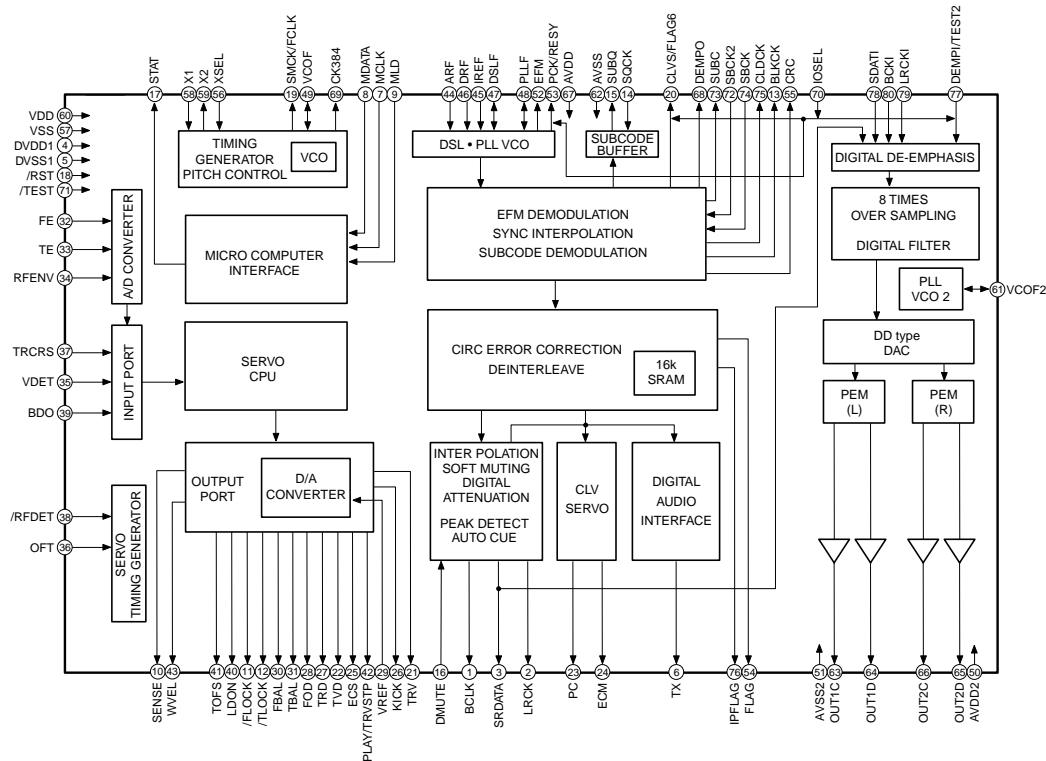
IN2A (Pin 64)	IN2B (Pin 65)	FUNCTION
0	0	IC3 OUT
0	1	LD/TV
1	1	VCR

## (Note 4) Pin 68, 69

VSEL0 (Pin 68)	VSEL1 (Pin 69)	FUNCTION
0	0	OFF
1	0	VCR
0	1	LD/TV
1	1	VCD

IC5 : MN35511AL [CD/VCD P.C.B.]  
Signal Processor & Controller

GX-707/VCD



Pin No.	Name	I/O	Function
1	BCLK	O	Bit clock output for SR DATA
2	LRCK	O	L/R identification signal output
3	SRDATA	O	Serial data output
4	DVDD1	I	Power supply for digital circuit (+5)
5	DVSS1	I	GND for digital circuit
6	TX	O	Digital audio interface output signal
7	MCLK	I	Microprocessor command clock signal input (data latched at leading edge)
8	MDATA	I	Microprocessor command data input
9	MLD	I	Microprocessor command load signal input (L : LOAD)
10	SENSE	O	Sense signal output (OFT, FESL, NACEND, NAJEND, SFG, NWTEND)
11	FLOCK	O	Focus servo drawing signal (L : when drawn)
12	TLOCK	O	Tracking servo drawing signal (L : when drawn)
13	BLKCK	O	Sub code block clock signal (BLKCK=75Hz)
14	SQCK	I	Clock input for sub-code Q register
15	SUBQ	O	Sub-code Q code output
16	DMUTE	I	Muting input (H : MUTE)
17	STAT	O	Status signal (CRC, STCNT, CLVS, TTSTOP, SQOK, RESY, FCLV, FLAG6, SENSE, /FLOCK, /RFDET, /TLOCK)
18	RST	I	Reset input (L : RESET)
19	SMCK/ FCLK	O	4.2336MHz clock signal output SMCK when command is defaulted. (Note 1) (NC) SMCK (8.4672MHz), FCLK (7.35kHz) or "L" fixed is selected when command is switched.
20	CLVS/ FLAG6	O	With command defaulted : CLVS when IOSEL=H, FLAG6 when IOSEL=L (NC) These settings can be reversed by command (FLAG6 when IOSEL=H).
21	TRV	O	Traverse (Feed) forced feed output 3-State
22	TVD	O	Traverse (Feed) drive output
23	PC	O	Spindle motor ON signal L : ON (default) (NC)
24	ECM	O	Spindle motor drive signal (forced mode output) 3-State
25	ECS	O	Spindle motor drive signal (servo error signal output)
26	KICK	O	Kick pulse output 3-State
27	TRD	O	Tracking drive output
28	FOD	O	Focus drive output
29	VREF	I	Reference voltage for DA output block (TVD, ECS, TRD, FOD, FBAL, TBAL)
30	FBAL	O	Focus balance adjustment output
31	TBAL	O	Tracking balance adjustment output
32	FE	I	Focus error signal input (analog input)

29 (Note 1) At the SMCK/FCLK pin, output does not stop while /RST=L.

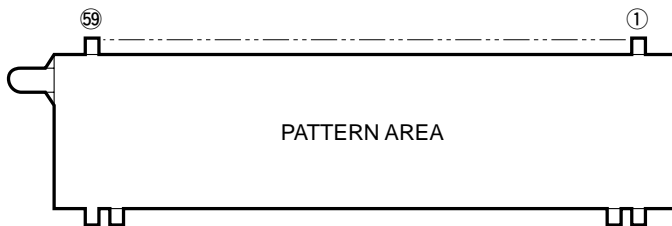
## IC5 : MN35511AL [CD/VCD P.C.B.]

## Signal Processor &amp; Controller

Pin No.	Name	I/O	Function
33	TE	I	Tracking error signal input (analog input)
34	RFENV	I	RF envelope signal input (analog input)
35	VDET	I	Oscillation detect signal input (H : DETECT)
36	OFT	I	Off track signal input (H : OFF TRACK)
37	TRCRS	I	Track cross signal input (analog input)
38	RFDET	I	RF detect signal input (L : DETECT)
39	BDO	I	Drop out signal input (H : DROP OUT)
40	LDON	O	Laser ON signal output (H : ON)
41	TOFS	O	Tracking offset adjustment output (NC)
42	PLAY/TRVSTOP	O	Switched by command. PLAY (Play signal output) when command is defaulted. (NC)
43	WVEL	O	Double speed status signal output (H : double speed) (NC)
44	ARF	I	RF signal input
45	IREF	I	Reference current input terminal
46	DRF	I	Bias terminal for DSL
47	DSLFL	I/O	Loop filter terminal for DSL
48	PLLF	I/O	Loop filter terminal for PLL
49	VCOF	I/O	Loop filter terminal for VCO (NC)
50	AVDD2	I	Power supply for analog circuit (for AD of DSL, PLL, DA output blocks) (+5)
51	AVSS2	I	GND for analog circuit (for AD of DSL, PLL, DA output blocks) (GND)
52	EFM	O	EFM signal output (NC)
53	PCK/ RESY	O	With command defaulted : PLL extract clock output PCK when IOSEL=H, frame re-synchronous signal RESY when IOSEL=L These settings can be reversed by command (RESY when IOSEL=H). (NC)
54	FLAG	O	Flag signal output (NC)
55	CRC	O	Sub-code CRC check result output (H : OK, L : NG) (NC)
56	XSEL	I	L : Normal mode (GND) H : • For internal master clock, VCO2 output clock for jitter adsorbing PLL is used instead of Xtal oscillation output (X2). • VCO2 is always fixed to oscillation mode regardless of VCO2 oscillation stop command or resetting (/RST=L) and Xtal oscillation is stopped.
57	VSS	I	GND for oscillation circuit
58	X1	I	Crystal oscillation circuit input terminal
59	X2	O	Crystal oscillation circuit output terminal
60	VDD	I	Power supply for oscillation circuit (+5)
61	VCOF2	O	PLL loop filter terminal for jitter adsorption (GND)
62	AVSS1	O	GND for audio DAC
63	OUT1C	O	PEM output terminal 1C
64	OUT1D	O	PEM output terminal 1D
65	OUT2D	O	PEM output terminal 2D
66	OUT2C	O	PEM output terminal 2C
67	AVDD1	I	Power supply terminal for audio DAC
68	DEMPO	O	Deemphasis detect signal output (NC)
69	CK384	O	384fs clock output (At the CK384 pin, output does not stop while /RST=L.) (NC) Xtal system when command is defaulted. Signal processing system when command is switched
70	IOSEL	I	Mode selecting terminal (GX-707 : +5, GX-707VCD : GND)
71	TEST	I	Test mode setting terminal (Normal : H) (+5)
72	SBCK2	I	Sub-code data read clock input (NC)
73	SUBC	O	Sub-code serial output (SBCK effective) when command is defaulted. PACK data usable (SBCK2 effective) when command is switched
74	SBCK	I	Clock input for sub-code serial output (with pull-up resistor) (GX-707 : NC)
75	CLDCK	O	Sub-code frame clock signal output when command is defaulted (fCLDCK=7.35kHz) PACK synchronous signal when command is switched
76	IPFLAG	O	Interpolation flag signal output (H : INTERPOLATION) (GX-707 : NC)
77	DEMPI /TEST2	I	When IOSEL=H, L : NORMAL H : TEST2 (GND) Emphasis control in accordance with DEMPO When IOSEL=L, external DEMP1 input terminal For emphasis control, DEMPO, OR of DEMP1, DEMP1, forced OFF or forced ON is selected by command. When command is defaulted, DEMPO and OR of DEMP1
78	SDATI	I	SRDATA input (effective only when IOSEL=L)
79	LRCKI	I	LRCK input (effective only when IOSEL=L) H : Lch data, L : Rch data
80	BCKI	I	BCK input (effective only when IOSEL=L)

# ■ DISPLAY DATA

● V800 : 16-BT-63GK (V2959000)

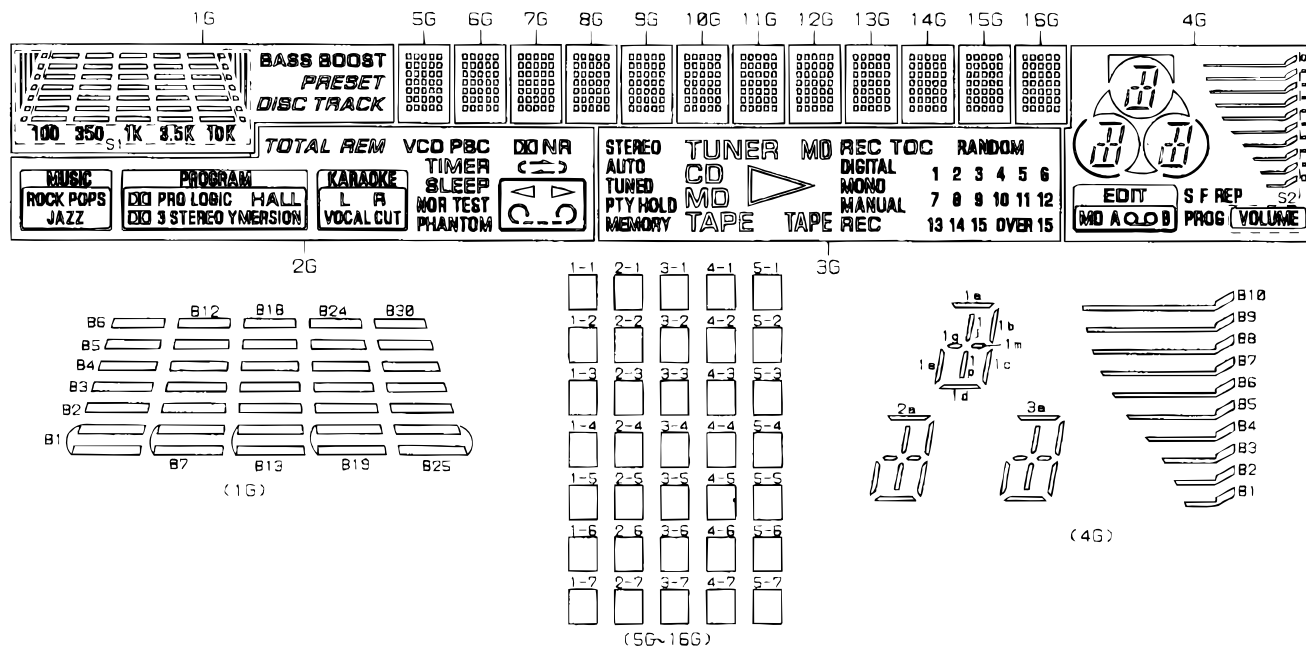


● PIN CONNECTION

Pin No.	1	2	3	4	5	6	7	8	9	10	11	12	13	14	15	16	17	18	19	20	21	22	23	24	25	26	27	28	29	30
Connection	F1	F1	NP	NP	P35	P34	P33	P32	P31	P30	P29	P28	P27	P26	P25	P24	P23	P22	P21	P20	P19	P18	P17	P16	P15	P14	P13	P12	P11	P10
Pin No.	31	32	33	34	35	36	37	38	39	40	41	42	43	44	45	46	47	48	49	50	51	52	53	54	55	56	57	58	59	
Connection	P9	P8	P7	P6	P5	P4	P3	P2	P1	16G	15G	14G	13G	12G	11G	10G	9G	8G	7G	6G	5G	4G	3G	2G	1G	NP	NP	F2	F2	

Note 1) F1, F2 ..... Filament      3) NC ..... No Connection      5) 1G-16G ..... Grid  
 2) NP ..... No Pin                  4) P1-P35 ..... Datum Line

● GRID ASSIGNMENT

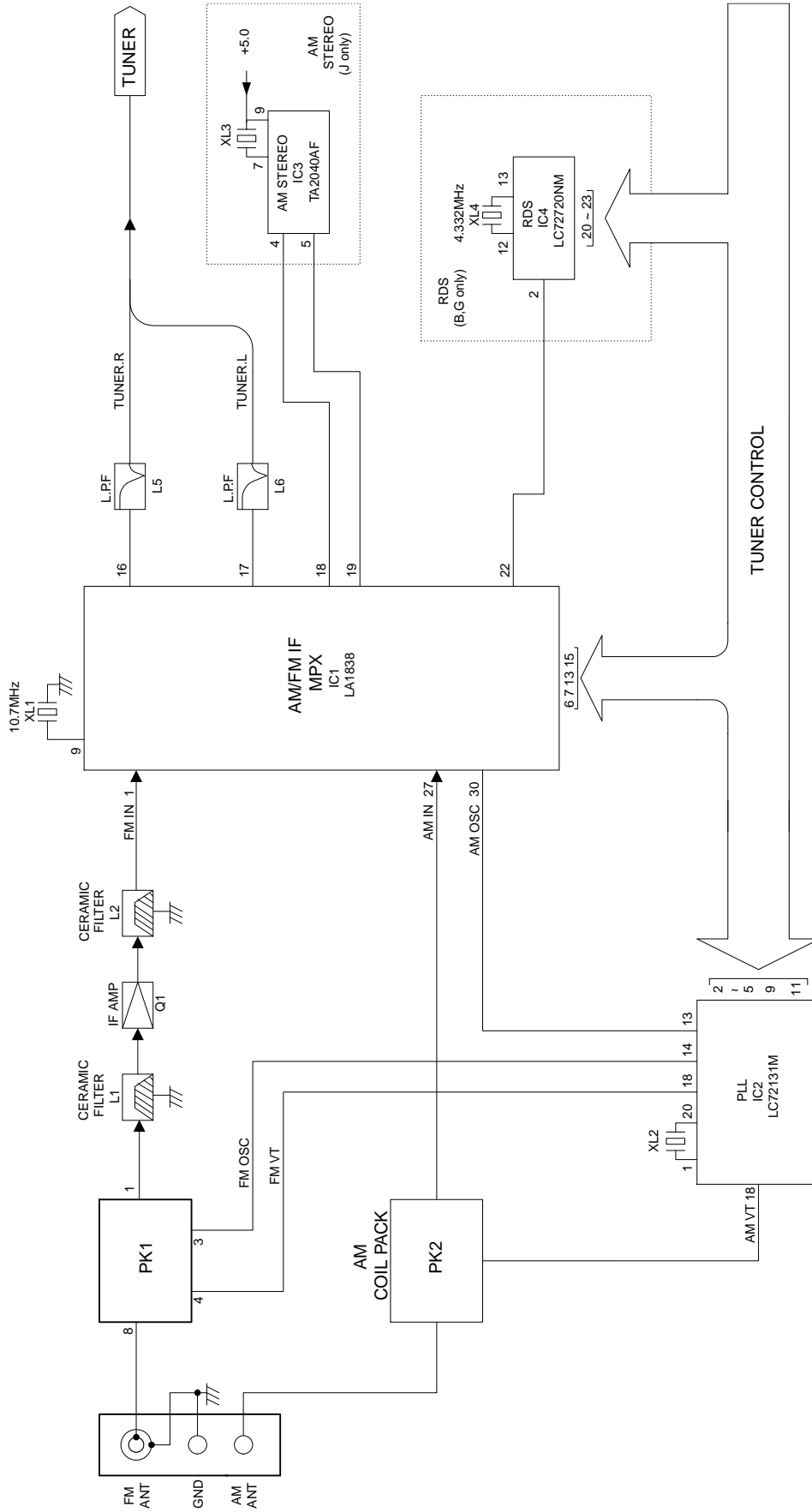


## ● ANODE CONNECTION

	1G	2G	3G	4G	5G~16G
P1	BASS BOOST	JAZZ	TAPE (RIGHT)	S2	1-1
P2	PRESET	ROCK		B1	2-1
P3	DISC	POPS	TAPE (LEFT)	B2	3-1
P4	TRACK		MD (LEFT)	B3	4-1
P5	S1	YMERISION	CD	B4	5-1
P6	B1	3 STEREO	MEMORY	B5	1-2
P7	B2		PTY HOLD	B6	2-2
P8	B3	HALL	TUNED	B7	3-2
P9	B4	DX PRO LOGIC	AUTO	B8	4-2
P10	B5		MD (RIGHT)	B9	5-2
P11	B6	VOCAL CUT	TUNER	B10	1-3
P12	B7	R	STEREO		2-3
P13	B8	L	REC (BELOW)	1a, 1b, 1d 1g, 1m	3-3
P14	B9		MANUAL	1c	4-3
P15	B10	PHANTOM	MONO	1e	5-3
P16	B11	NOR	DIGITAL	1j, 1p	1-4
P17	B12	TEST	REC (UPPER)	2a, 2b, 2d 2g, 2n	2-4
P18	B13	SLEEP	TOC	2c	3-4

	1G	2G	3G	4G	5G~16G
P19	B14	TIMER	RANDOM	2e	4-4
P20	B15		1	2j, 2p	5-4
P21	B16		2	3a, 3b, 3d 3g, 3n	1-5
P22	B17	(CENTER)	3	3c	2-5
P23	B18	(LEFT)	4	3e	3-5
P24	B19		5	3j, 3p	4-5
P25	B20		6		5-5
P26	B21		7		1-6
P27	B22		8	REP	2-6
P28	B23		9	F	3-6
P29	B24	DCNR	10	S	4-6
P30	B25	PBC	11	PROG	5-6
P31	B26	VCD	12		1-7
P32	B27	REM	13	MD	2-7
P33	B28	TOTAL	14	A	3-7
P34	B29	-	15		4-7
P35	B30	-	OVER 15	B	5-7

■ BLOCK DIAGRAM



(TUNER) Page 72

■ BLOCK DIAGRAM

1

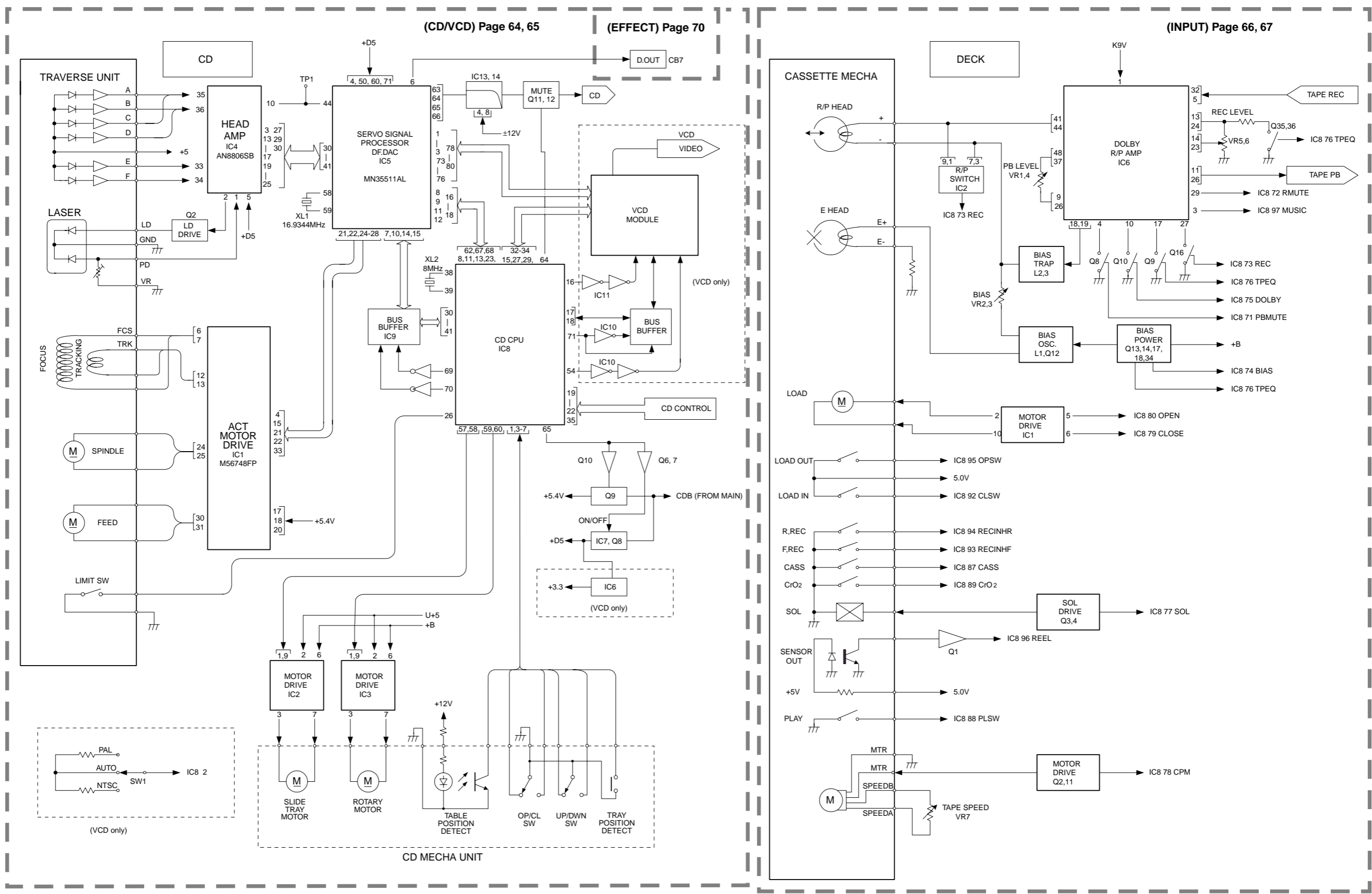
2

3

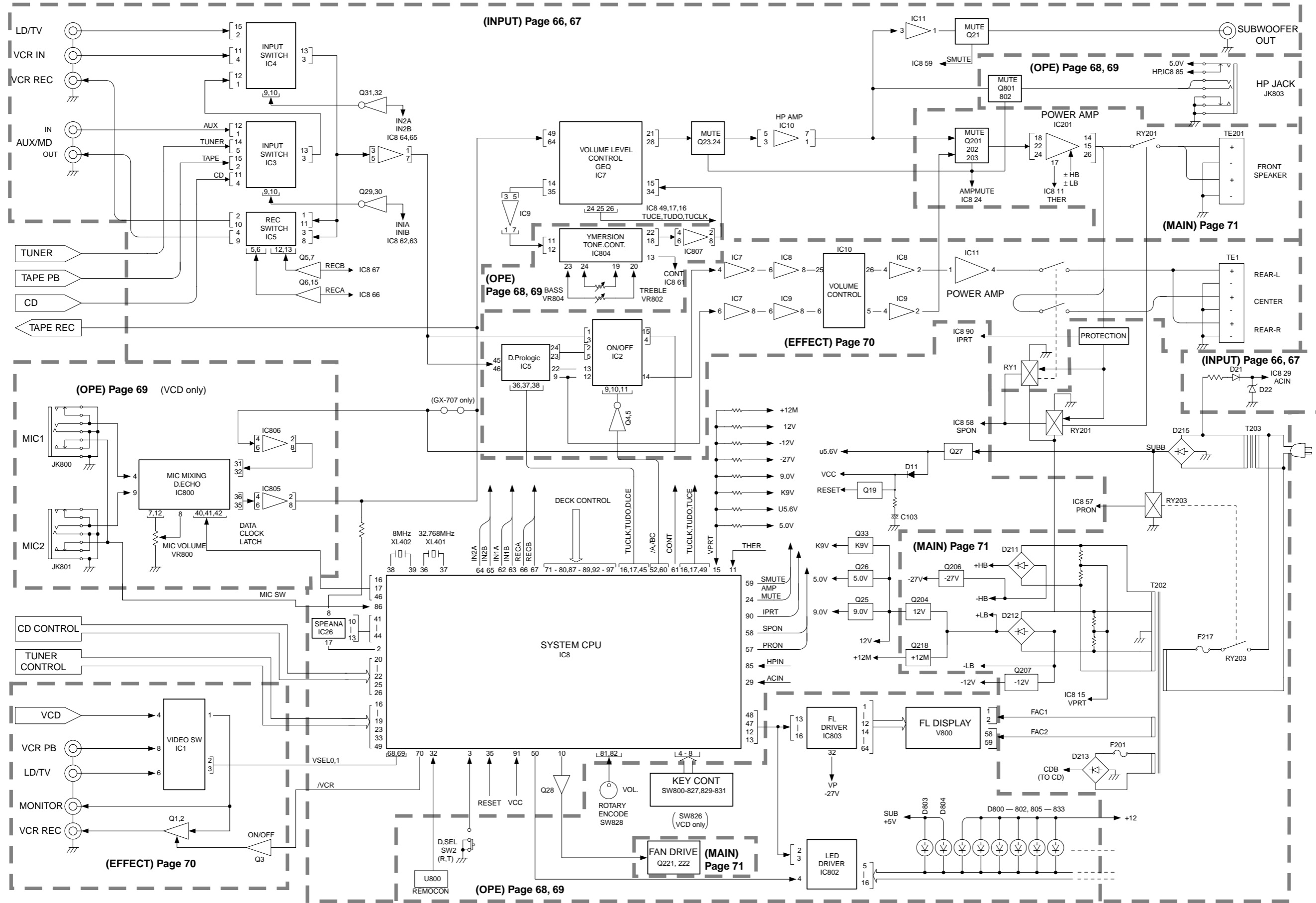
4

5

6



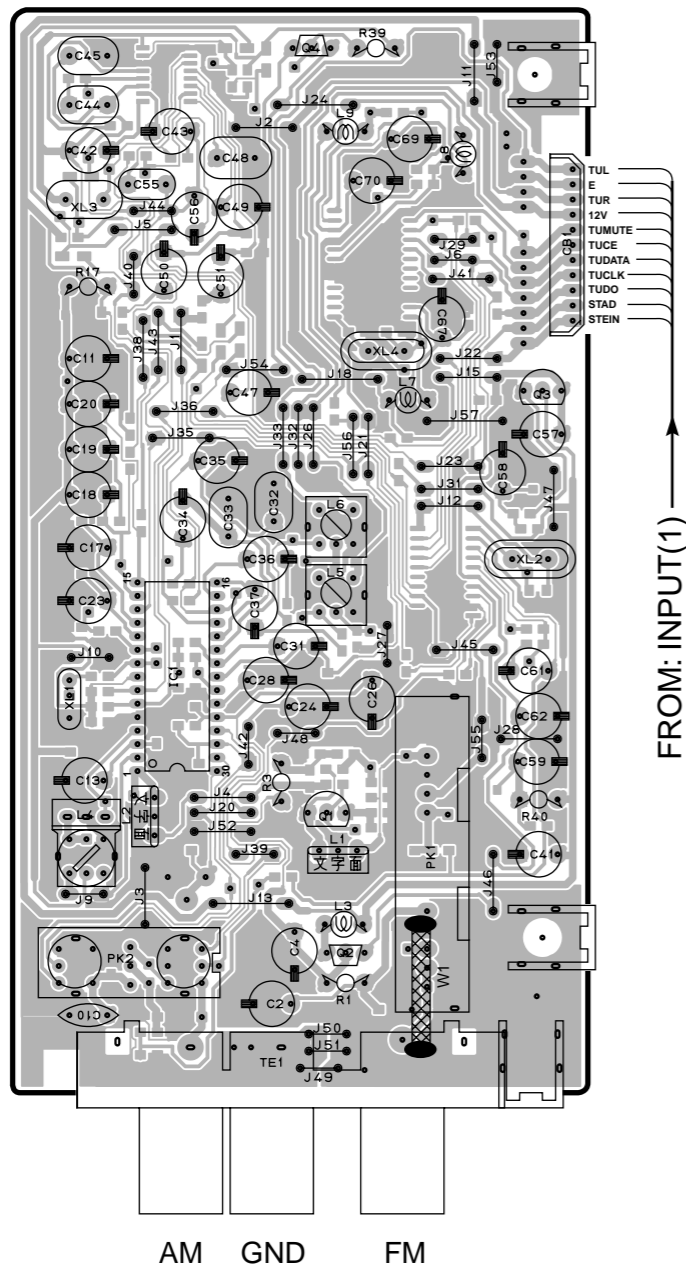
BLOCK DIAGRAM



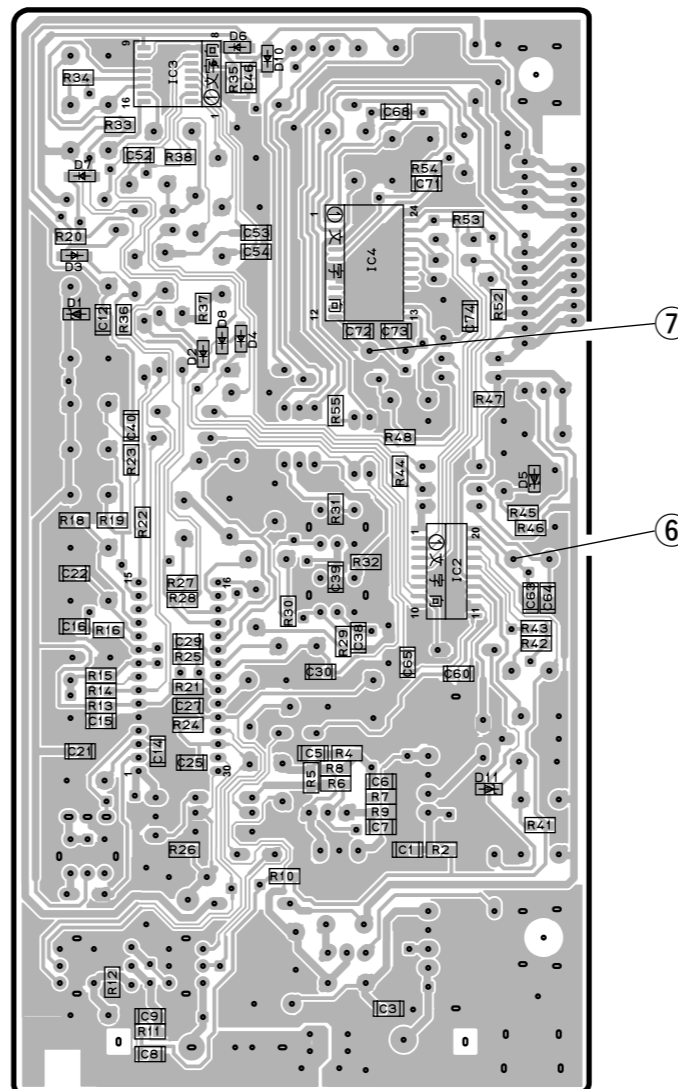


PRINTED CIRCUIT BOARD (Foil side)

TUNER P.C.B.  
(Lead Type Device)



TUNER P.C.B.  
(Surface Mount Device)

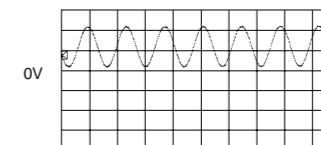


CIRCUIT CHANGES BY MARKET.

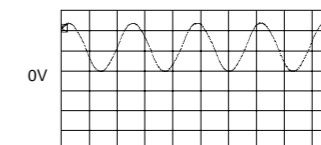
	U, C, R, T, L, A	B, G	J
X3	X	X	O
X4	X	O	X
IC3	X	X	O
IC4	X	O	X
Q4	X	X	O
D6 ~ 8, 10	X	X	O
L7 ~ 9	X	O	X
C68, 71 ~ 74	X	O	X
C46, 52 ~ 54	X	X	O
C29	O	O	X
C42 ~ 51, 55, 56	X	X	O
C67, 69, 70	X	O	X
R33 ~ 38	X	X	O
R54	X	O	X
R25	O	O	X
R39	X	X	O
J21	X	O	X
J1, 40, 44	X	X	O

O : USED  
X : NOT USED

Point ⑥ (Pin20 of IC2)  
V : 2V/div    H : 0.1 μsec/div  
DC range    1 : 1 probe



Point ⑦ (Pin12 of IC4)  
V : 2V/div    H : 0.1 μsec/div  
DC range    1 : 1 probe



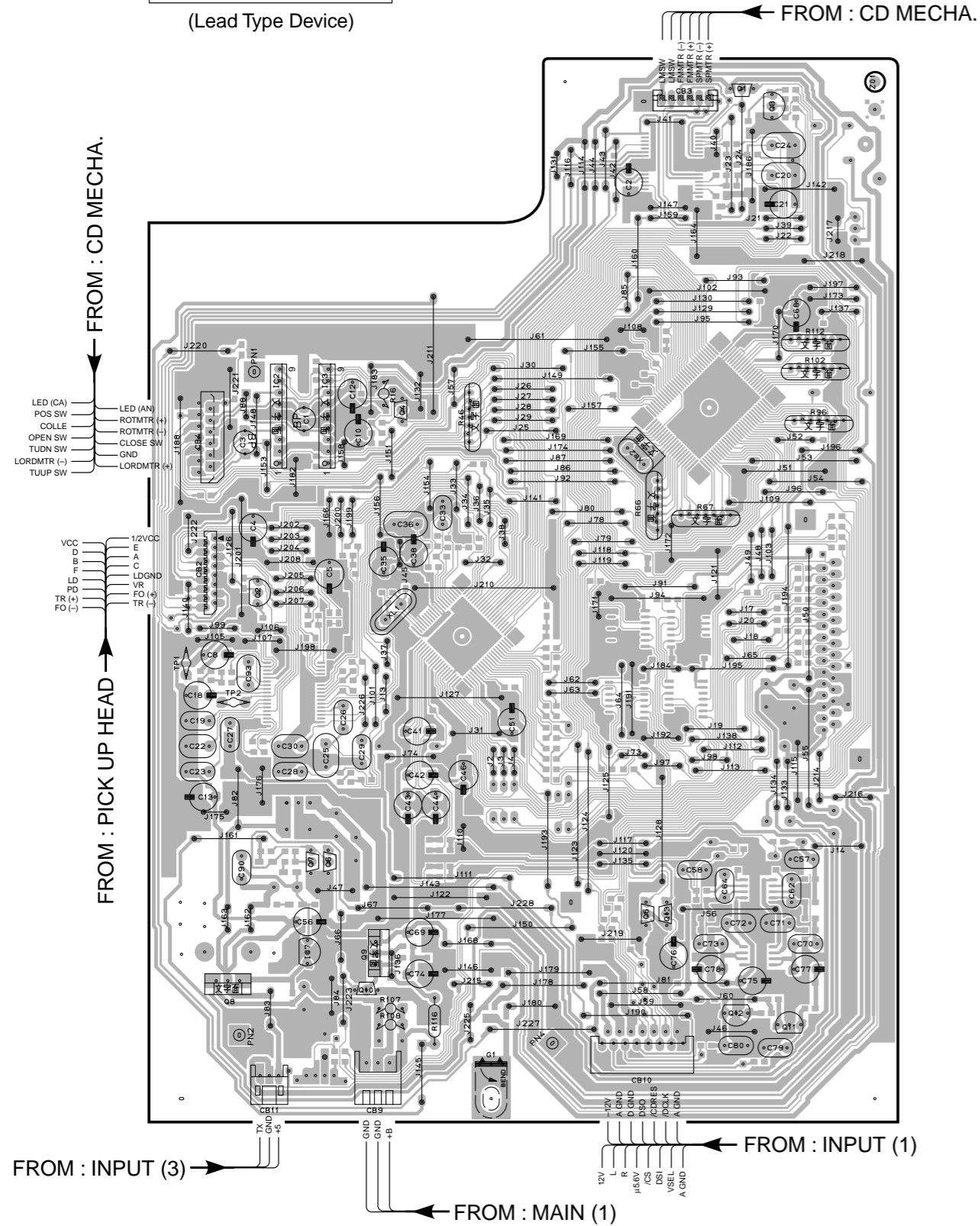
● Semiconductor Location

Ref. No.	Location	Ref. No.	Location	Ref. No.	Location
D1	D2	IC1	A3	Q1	B4
D2	D2	IC2	E3	Q2	B4
D3	D2	IC3	D2	Q3	B3
D4	D2	IC4	E2	Q4	B2
D5	E3				
D6	D2				
D7	D2				
D8	D2				
D9	D2				
D10	D2				
D11	E4				

PRINTED CIRCUIT BOARD (Foil side)

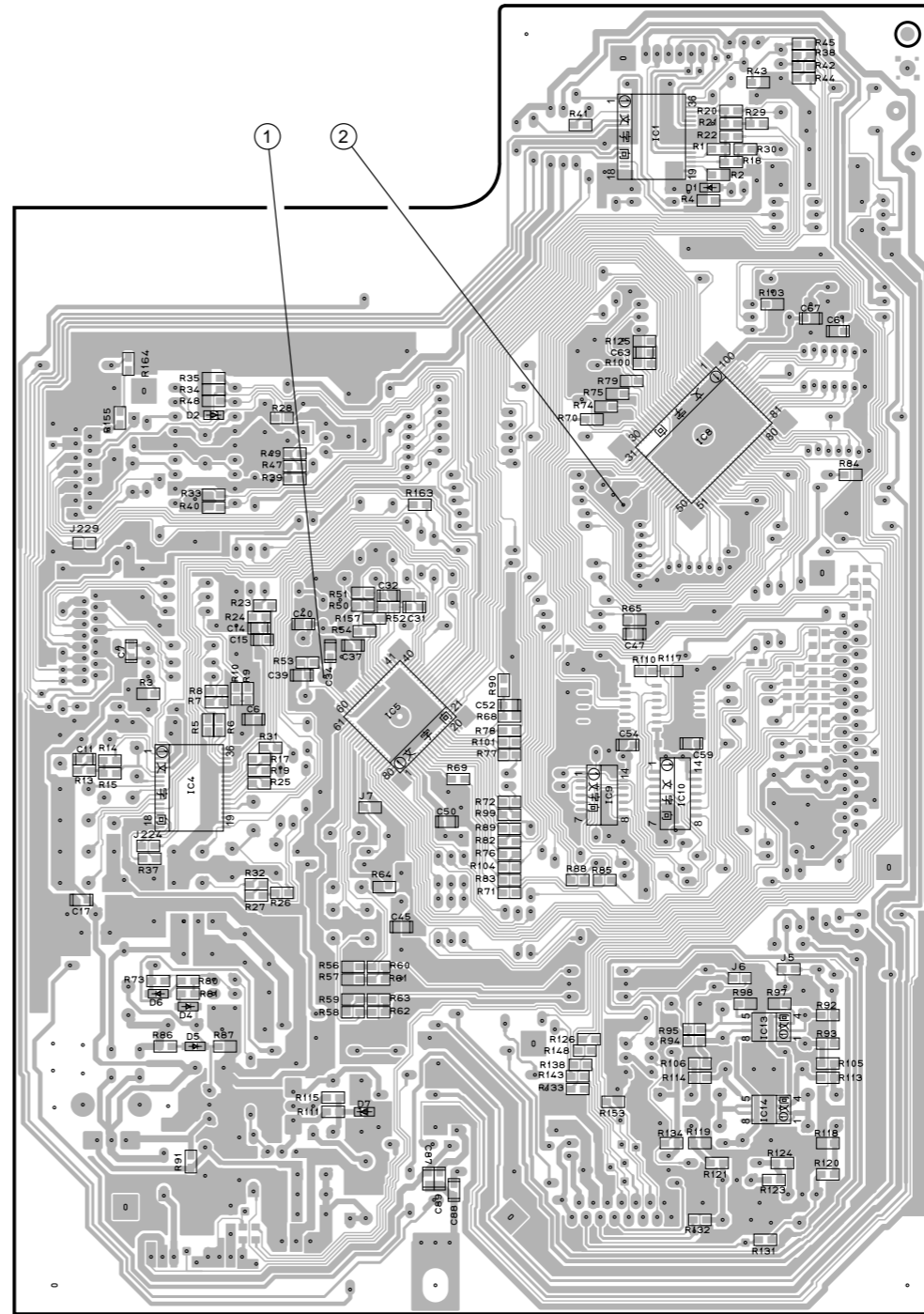
GX-707 CD P.C.B.

(Lead Type Device)



GX-707 CD P.C.B.

(Surface Mount Device)

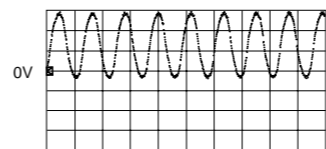


Semiconductor Location

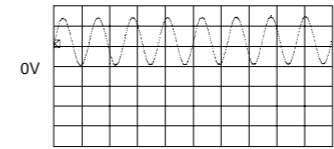
Ref. No.	Location	Ref. No.	Location
D1	F2	IC1	F2
D2	E2	IC2	B3
D4	E4	IC3	B3
D5	E4	IC4	E4
D6	E4	IC5	F3
D7	E4	IC7	B4
		IC8	F3
		IC9	F4
		IC10	F4
		IC13	G4
		IC14	G4

Ref. No.	Location
Q1	C1
Q2	B3
Q3	C1
Q4	B3
Q5	C4
Q6	B4
Q7	B4
Q8	B5
Q9	B4
Q10	B5
Q11	C5
Q12	C5
Q13	C4

Point ① (Pin59 of IC5)  
 V : 2V/div H : 50 nsec/div  
 DC range 1 : 1 probe



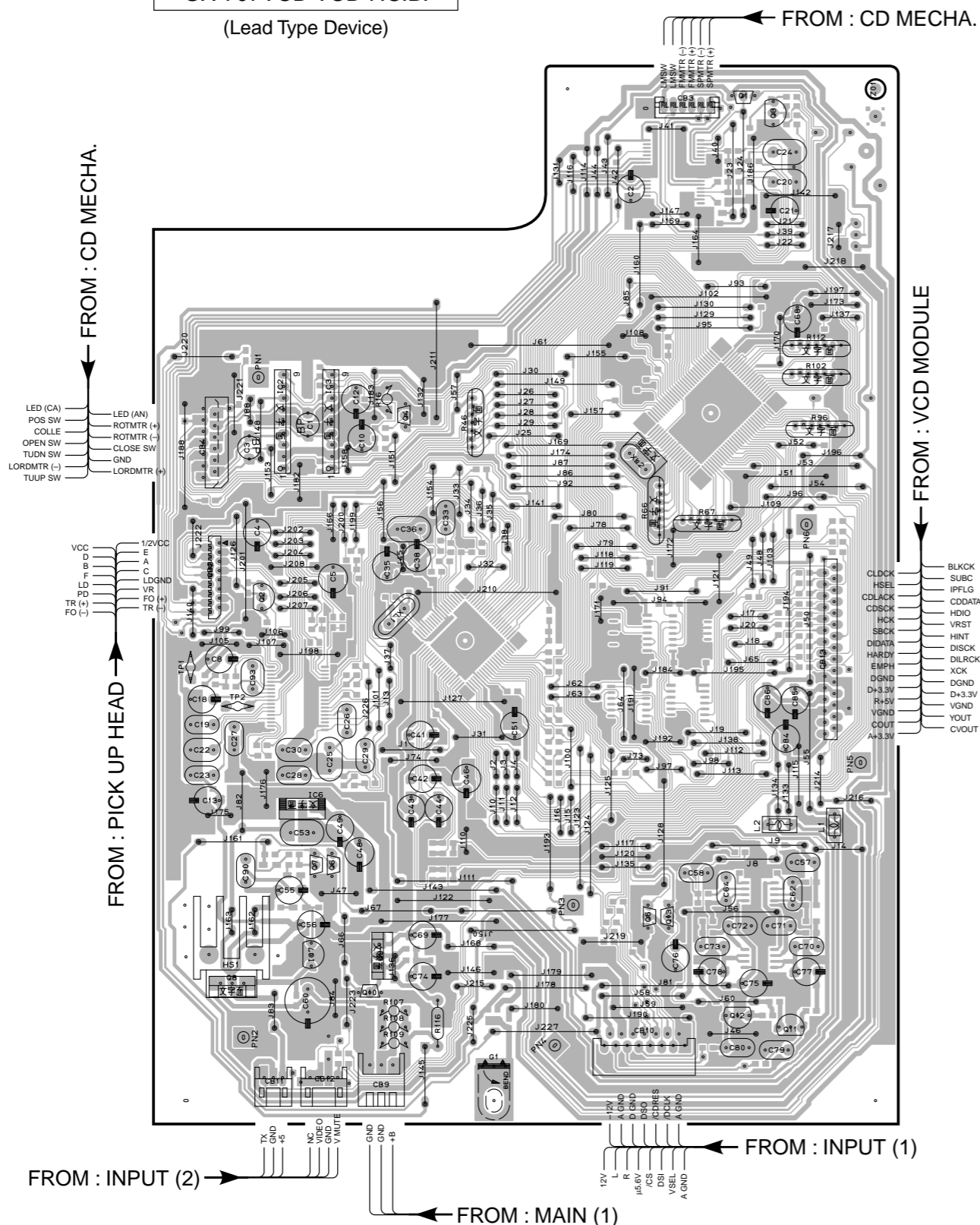
Point ② (Pin39 of IC8)  
 V : 2V/div H : 0.1 μsec/div  
 DC range 1 : 1 probe



PRINTED CIRCUIT BOARD (Foil side)

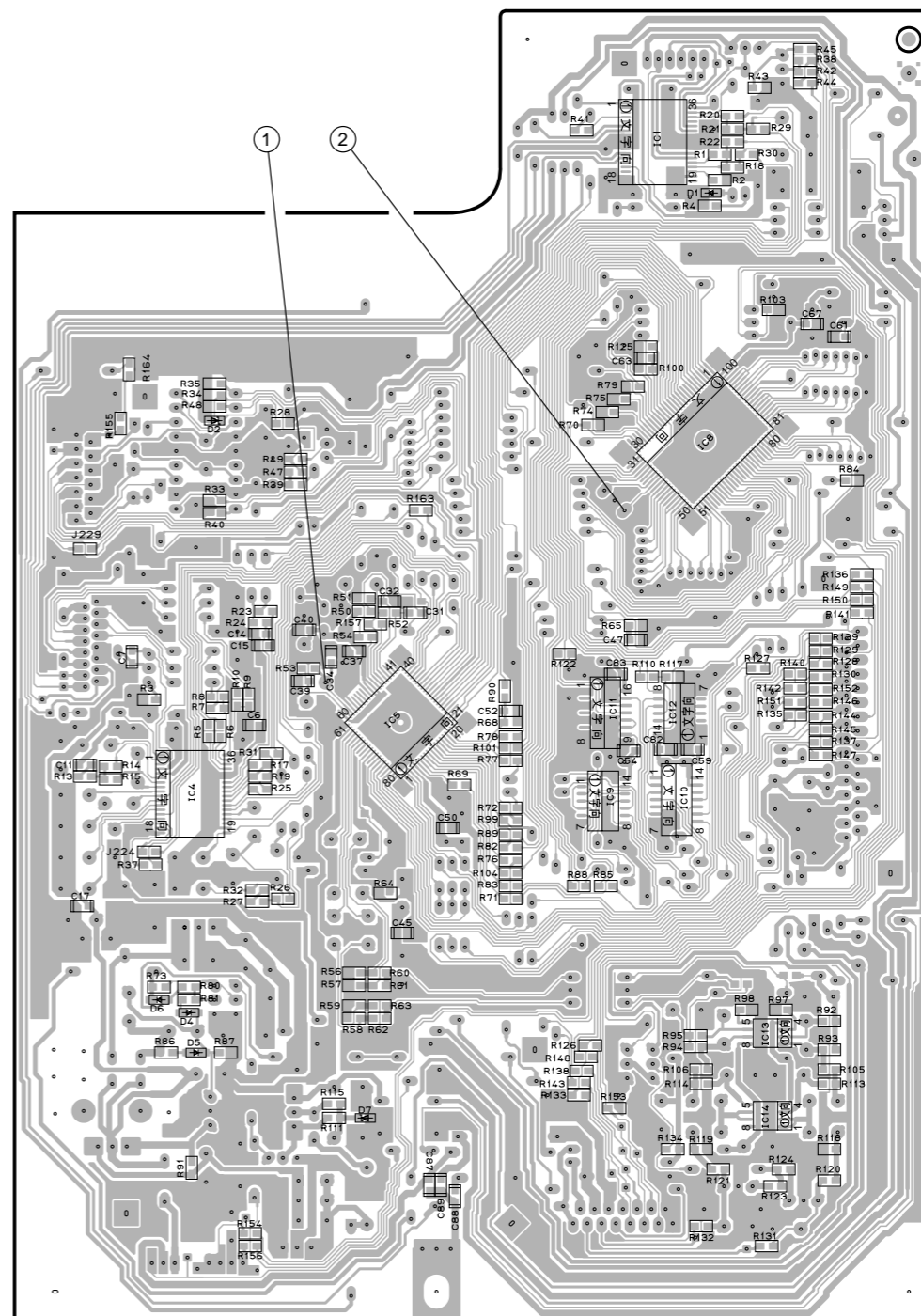
GX-707VCD VCD P.C.B.

(Lead Type Device)



GX-707VCD VCD P.C.B.

(Surface Mount Device)



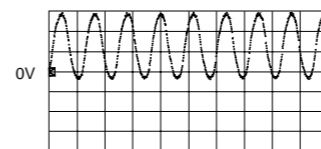
Semiconductor Location

Ref. No.	Location
D1	F2
D2	E2
D4	E4
D5	E4
D6	E4
D7	E4

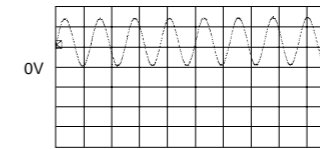
Ref. No.	Location
IC1	F2
IC2	B3
IC3	B3
IC4	E4
IC5	F3
IC6	B4
IC7	B4
IC8	F3
IC9	F4
IC10	F4
IC11	F3
IC12	F3
IC13	G4
IC14	G4

Ref. No.	Location
Q1	C1
Q2	B3
Q3	C1
Q4	B3
Q5	C4
Q6	B4
Q7	B4
Q8	B5
Q9	B4
Q10	B5
Q11	C5
Q12	C5
Q13	C4

Point ① (Pin59 of IC5)  
 V : 2V/div H : 50 nsec/div  
 DC range 1 : 1 probe



Point ② (Pin39 of IC8)  
 V : 2V/div H : 0.1 μsec/div  
 DC range 1 : 1 probe

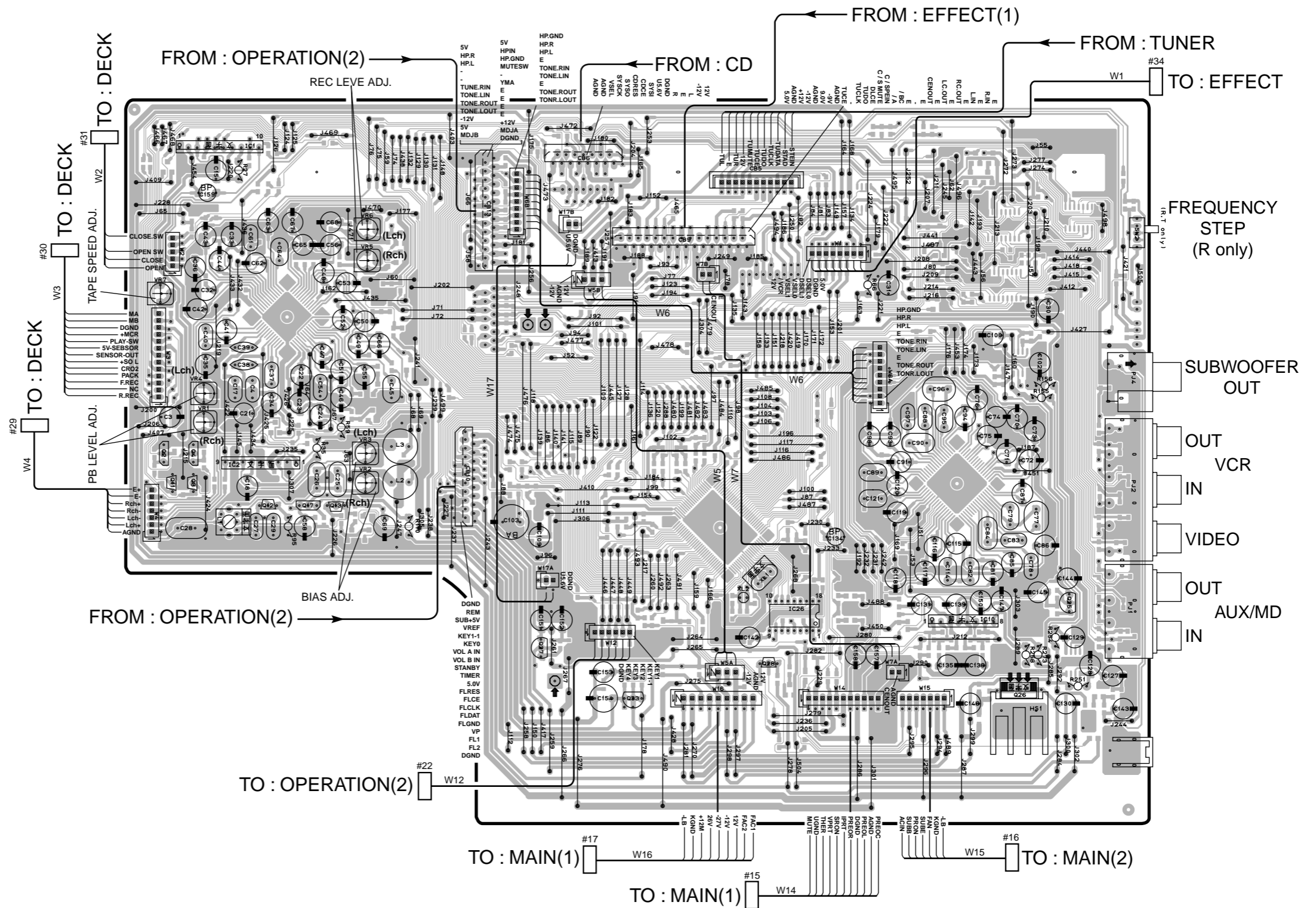


PRINTED CIRCUIT BOARD (Foil side)

Semiconductor Location

Ref. No.	Location	Ref. No.	Location
IC1	C2	Q2	C3
IC2	D3	Q3	C3
IC10	G4	Q4	C4
IC26	F4	Q11	C3
		Q12	D3
		Q13	D3
		Q17	D3
		Q25	G4
		Q26	G4
		Q27	E4
		Q28	F4
		Q33	E4

GX-707 INPUT P.C.B. (1) (Lead Type Device)

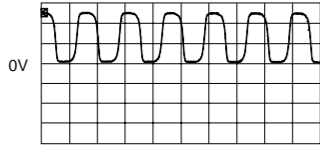


**PRINTED CIRCUIT BOARD (Foil side)**

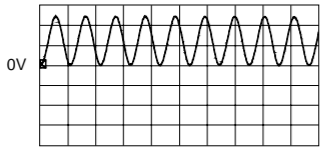
GX-707 INPUT P.C.B. (1) (Surface Mount Device)

1  
2  
3  
4  
5  
6

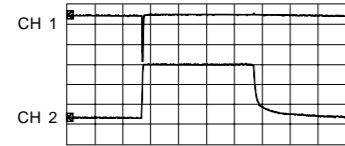
**Point ③** (Pin37 of IC8)  
 V : 2V/div H : 20 μsec/div  
 DC range 1 : 1 probe



**Point ④** (Pin39 of IC8)  
 V : 2V/div H : 50 μsec/div  
 DC range 1 : 1 probe



**Point ⑤**  
 CH1 : Collector of Q19  
 CH2 : Anode of D11  
 V : 2V/div (CH1) V : 2V/div (CH2)  
 H : 2 sec/div DC range 1 : 1 probe  
 (This waveform is not available by pushing the power switch ON and OFF.)



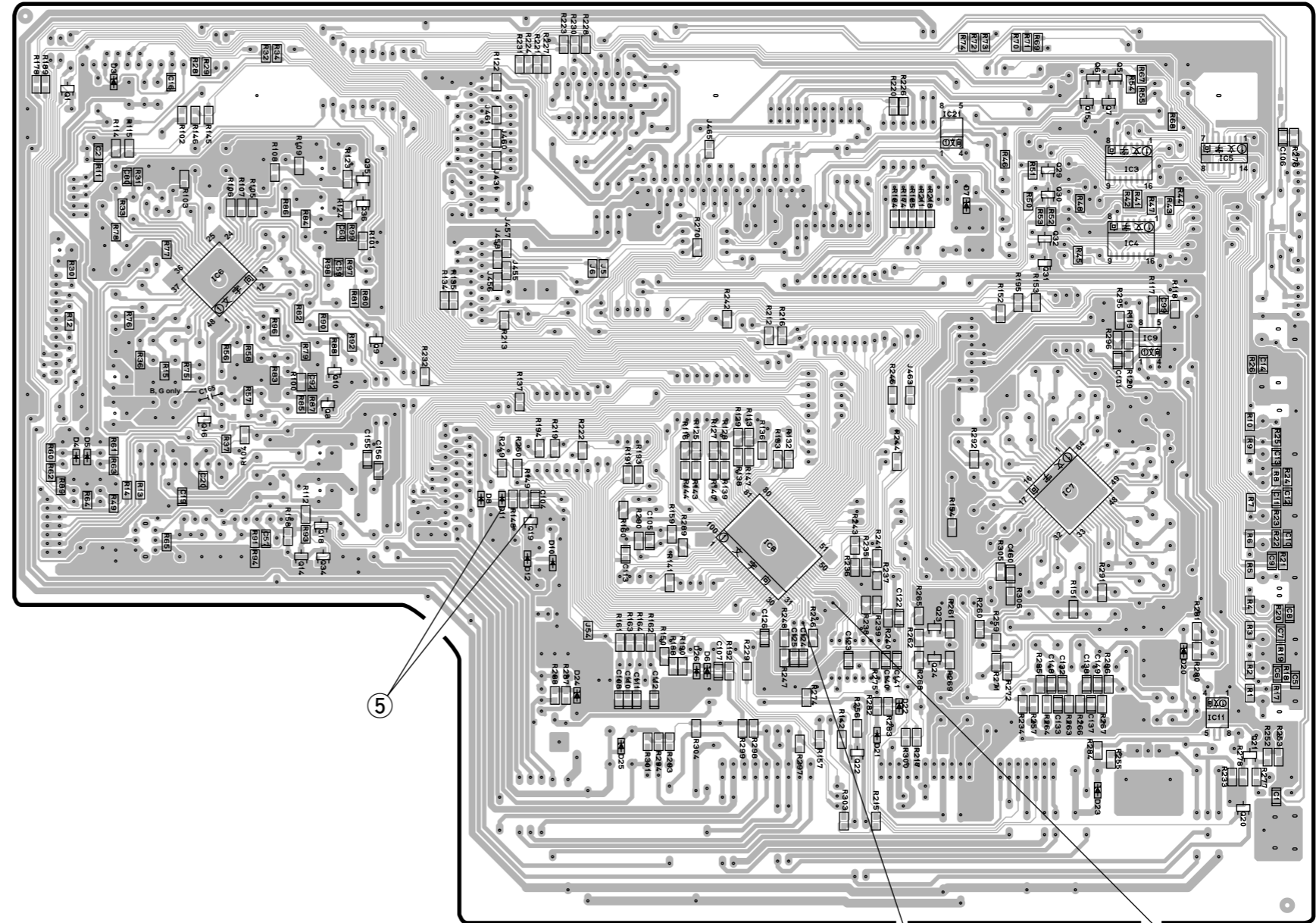
With the POWER ON, disconnect the A/C power cord. Reconnect the A/C power cord and the above waveforms will start.  
 Disconnect the power cord from the AC outlet.

**● Semiconductor Location**

Ref. No.	Location
D3	C2
D4	C3
D5	C3
D6	E4
D7	F2
D8	D3
D10	E4
D11	D3
D12	D4
D20	G4
D21	F4
D22	F4
D23	F4
D24	E4
D25	E4
D26	E4

Ref. No.	Location
IC3	G2
IC4	G2
IC5	G2
IC6	C3
IC7	F3
IC8	E3
IC9	G3
IC11	G4
IC21	F2

Ref. No.	Location
Q1	C2
Q5	G2
Q6	F2
Q7	G2
Q8	D3
Q9	D3
Q10	D3
Q14	D4
Q15	F2
Q16	C3
Q18	D3
Q19	D3
Q20	G4
Q21	G4
Q22	F4
Q23	F4
Q24	F4
Q29	F2
Q30	F2
Q31	F3
Q32	F2
Q34	D4
Q35	D2
Q36	D2

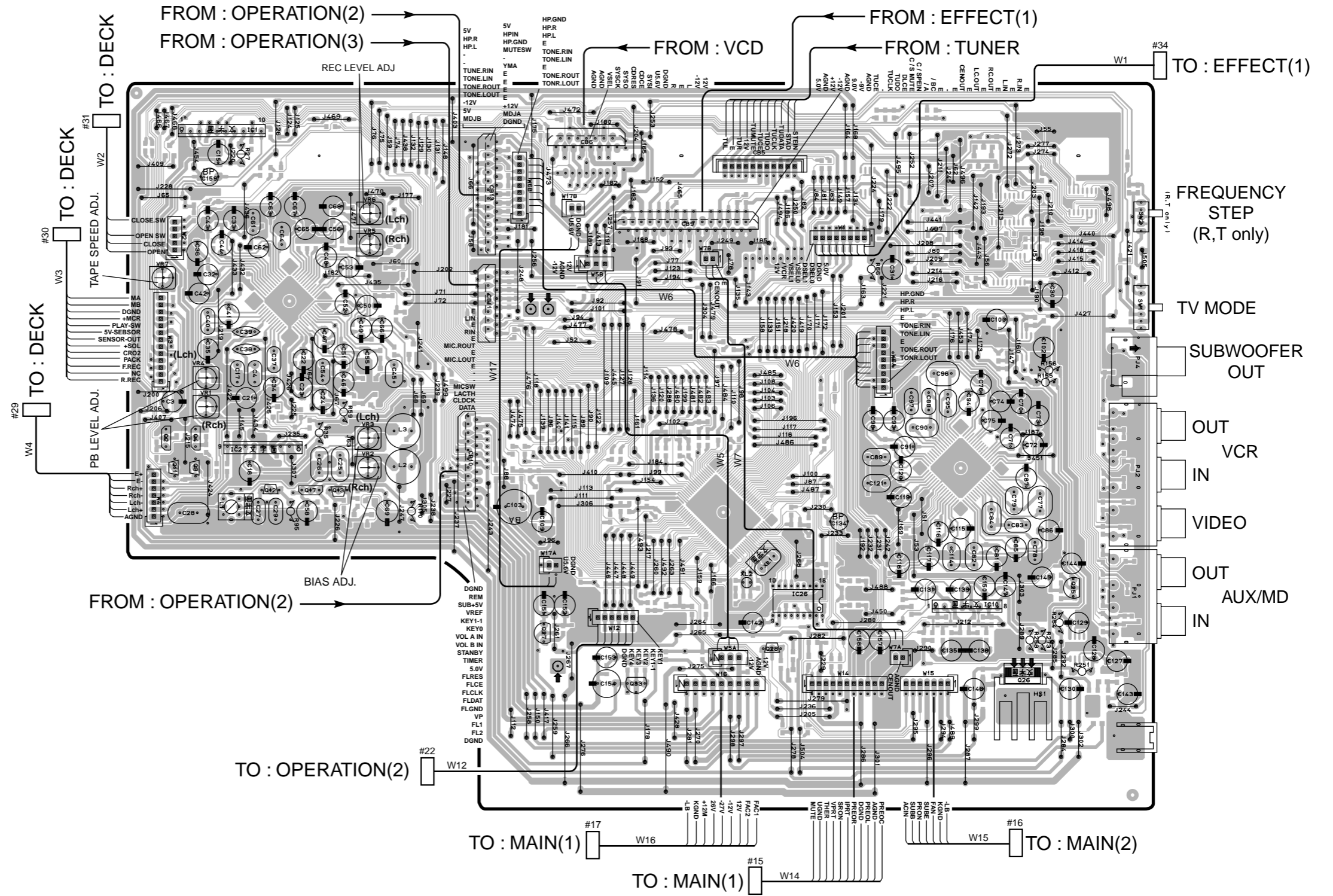


PRINTED CIRCUIT BOARD (Foil side)

Semiconductor Location

Ref. No.	Location	Ref. No.	Location
IC1	C2	Q2	C3
IC2	D3	Q3	C3
IC10	G4	Q4	C4
IC26	F4	Q11	C3
		Q12	D3
		Q13	D3
		Q17	D3
		Q25	G4
		Q26	G4
		Q27	E4
		Q28	F4
		Q33	E4

GX-707VCD INPUT P.C.B. (1) (Lead Type Device)





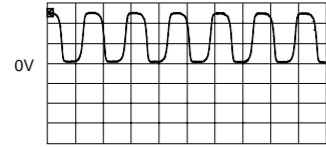
**PRINTED CIRCUIT BOARD (Foil side)**

**GX-707VCD INPUT P.C.B. (1) (Surface Mount Device)**

1

**Point ③ (Pin37 of IC8)**

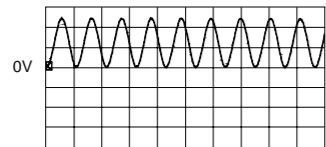
V : 2V/div H : 20 μsec/div  
DC range 1 : 1 probe



2

**Point ④ (Pin39 of IC8)**

V : 2V/div H : 50 μsec/div  
DC range 1 : 1 probe



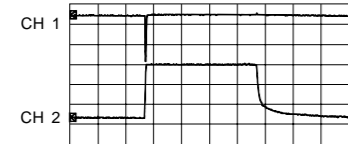
3

**Point ⑤**

CH1 : Collector of Q19  
CH2 : Anode of D11

V : 2V/div (CH1) V : 2V/div (CH2)  
H : 2 sec/div DC range 1 : 1 probe

(This waveform is not available by pushing the power switch ON and OFF.)



With the POWER ON, disconnect the A/C power cord. Reconnect the A/C power cord and the above waveforms will start.

Disconnect the power cord from the AC outlet.

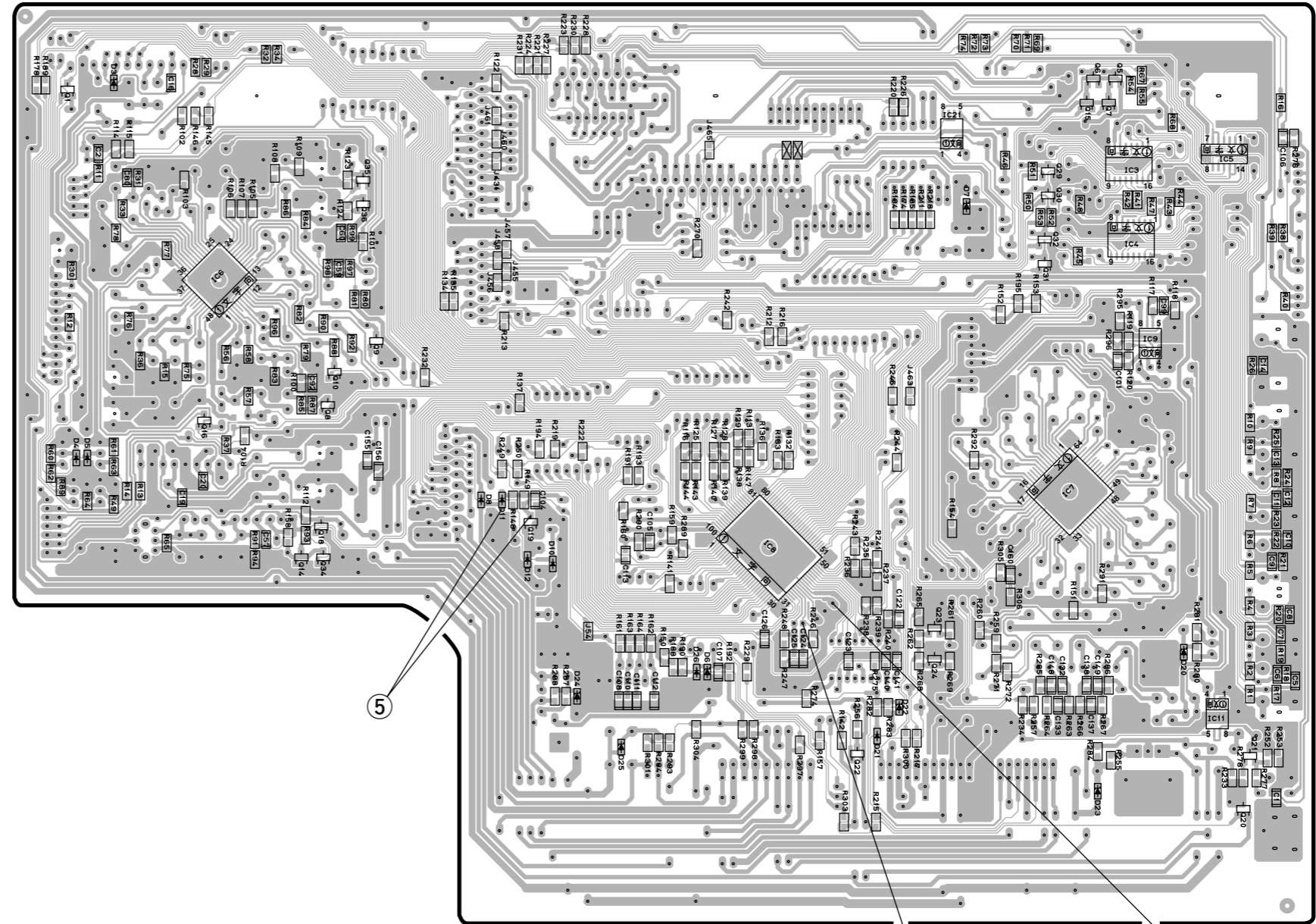
4

**● Semiconductor Location**

Ref. No.	Location
D3	C2
D4	C3
D5	C3
D6	E4
D7	F2
D8	D3
D10	E4
D11	D3
D12	D4
D20	G4
D21	F4
D22	F4
D23	F4
D24	E4
D25	E4
D26	E4

Ref. No.	Location
IC3	G2
IC4	G2
IC5	G2
IC6	C3
IC7	F3
IC8	E3
IC9	G3
IC11	G4
IC21	F2

Ref. No.	Location
Q1	C2
Q5	G2
Q6	F2
Q7	G2
Q8	D3
Q9	D3
Q10	D3
Q14	D4
Q15	F2
Q16	C3
Q18	D3
Q19	D3
Q20	G4
Q21	G4
Q22	F4
Q23	F4
Q24	F4
Q29	F2
Q30	F2
Q31	F3
Q32	F2
Q34	D4
Q35	D2
Q36	D2

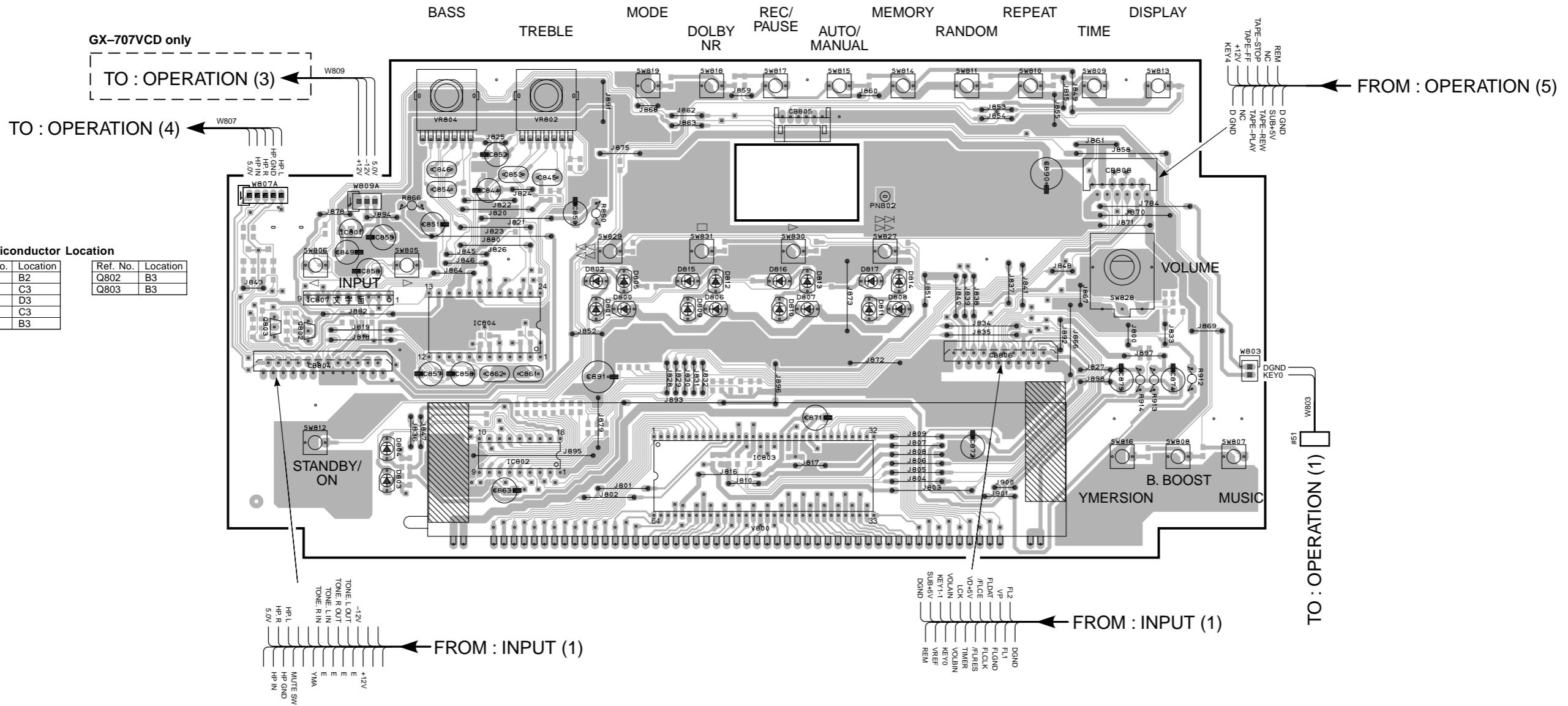


5

6

PRINTED CIRCUIT BOARD (Foil side)

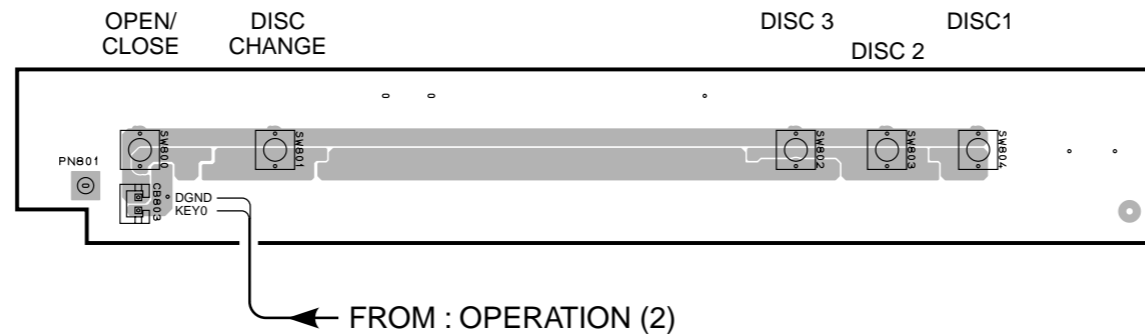
OPERATION P.C.B. ( 2 ) (Lead Type Device)



Semiconductor Location

Ref. No.	Location	Ref. No.	Location
IC801	B2	Q802	B3
IC802	C3	Q803	B3
IC803	D3		
IC804	C3		
IC807	B3		

OPERATION P.C.B. ( 1 ) (Lead Type Device)



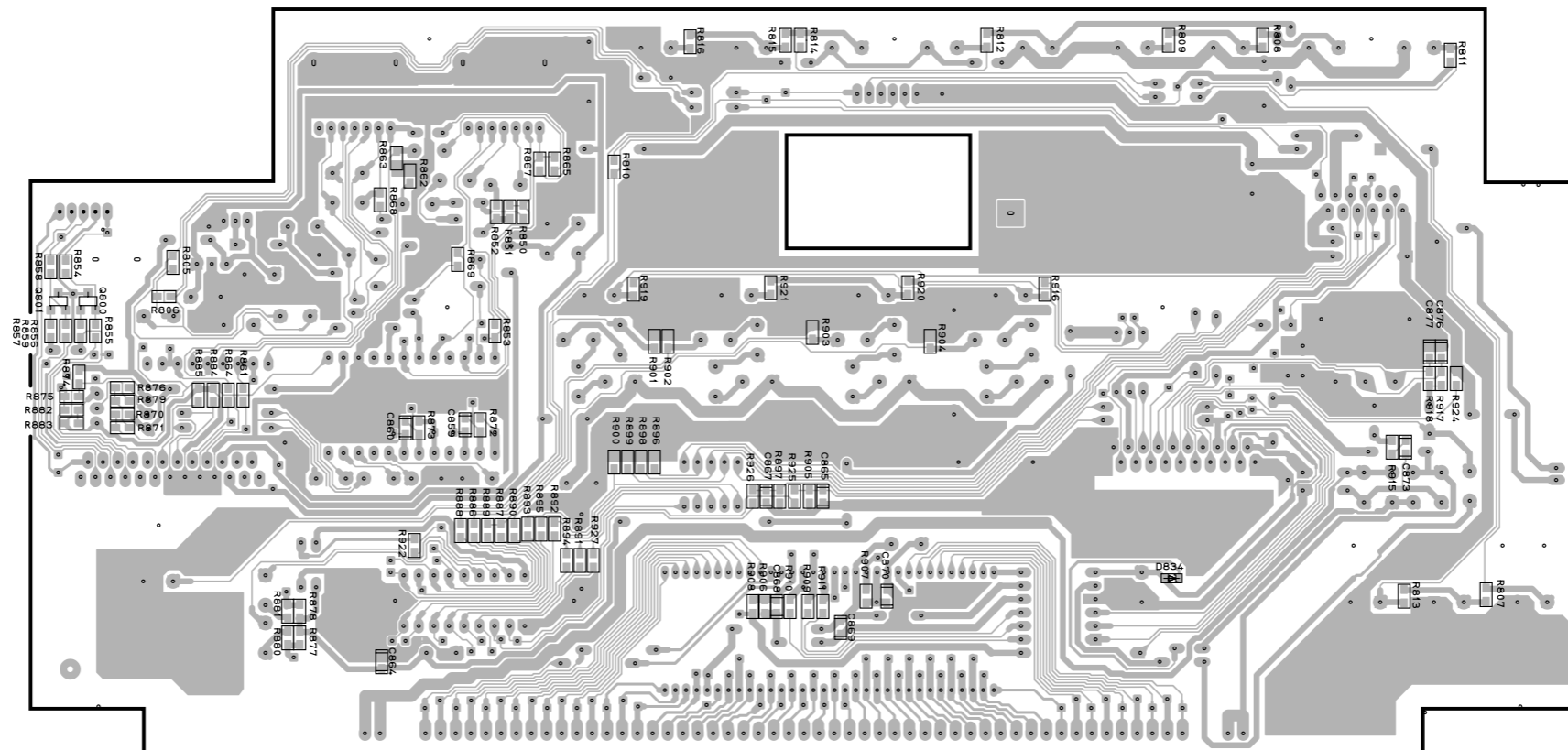


PRINTED CIRCUIT BOARD (Foil side)

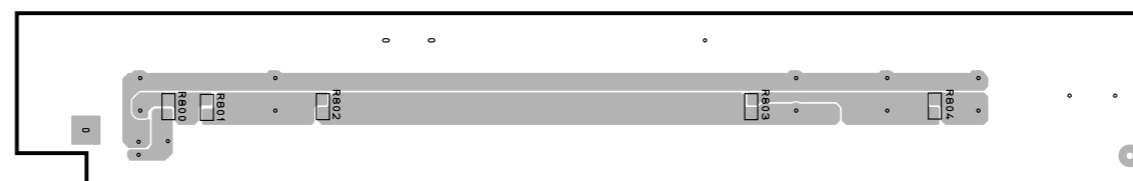
Semiconductor Location

Ref. No.	Location	Ref. No.	Location
D834	E3	Q800	B2
		Q801	B2

OPERATION P.C.B. ( 2 ) (Surface Mount Device)



OPERATION P.C.B. ( 1 ) (Surface Mount Device)



1

2

3

4

5

6

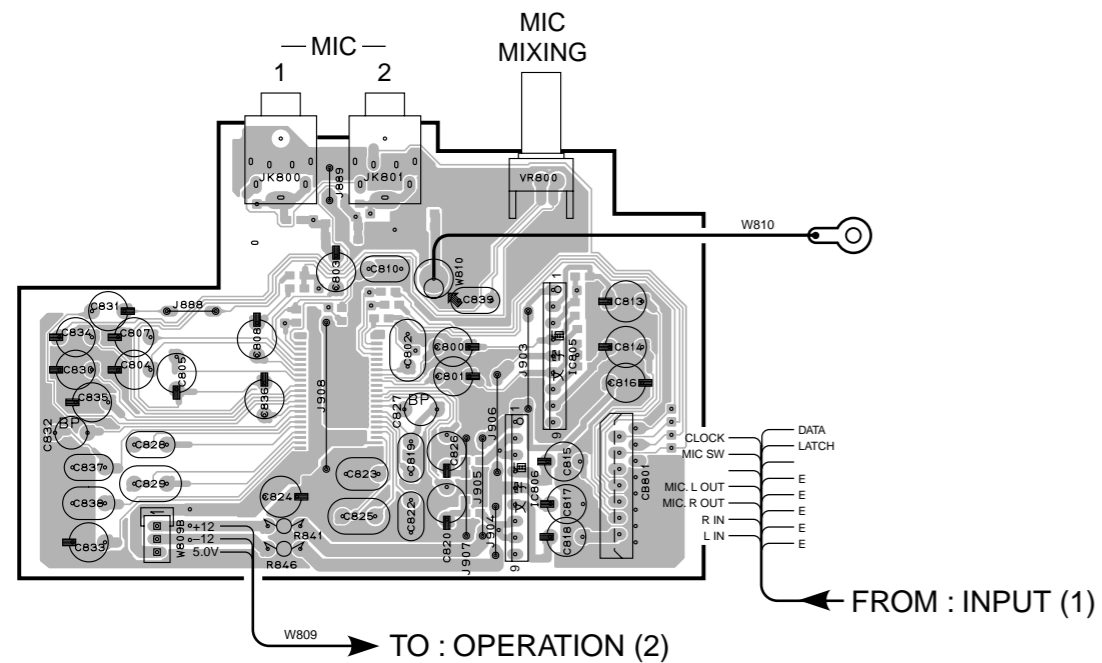
PRINTED CIRCUIT BOARD (Foil side)

GX-707VCD OPERATION P.C.B. ( 3 )

(Lead Type Device)

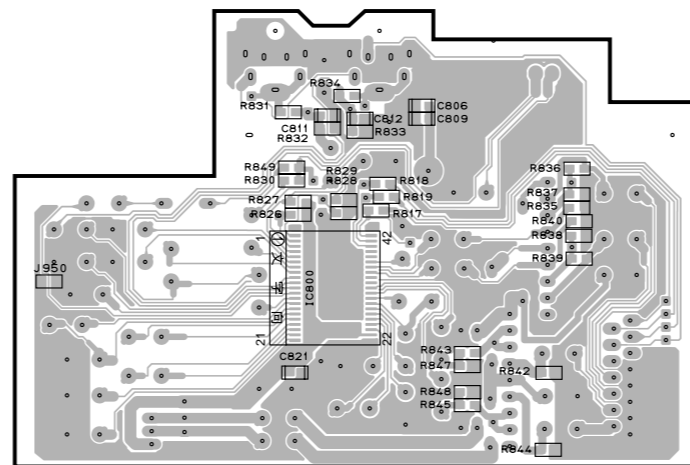
● Semiconductor Location

Ref. No.	Location
IC800	E2
IC805	B2
IC806	B3



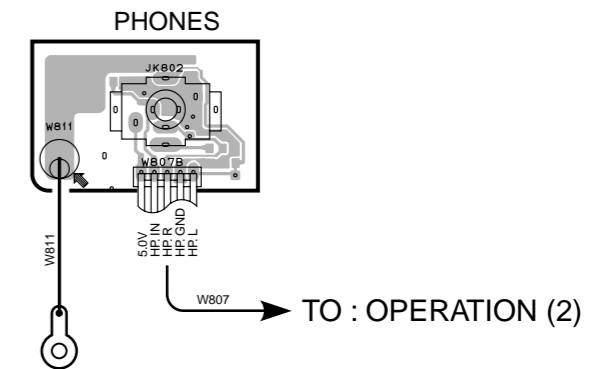
GX-707VCD OPERATION P.C.B. ( 3 )

(Surface Mount Device)



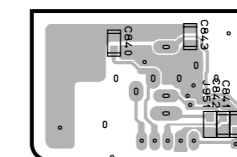
OPERATION P.C.B. ( 4 )

(Lead Type Device)



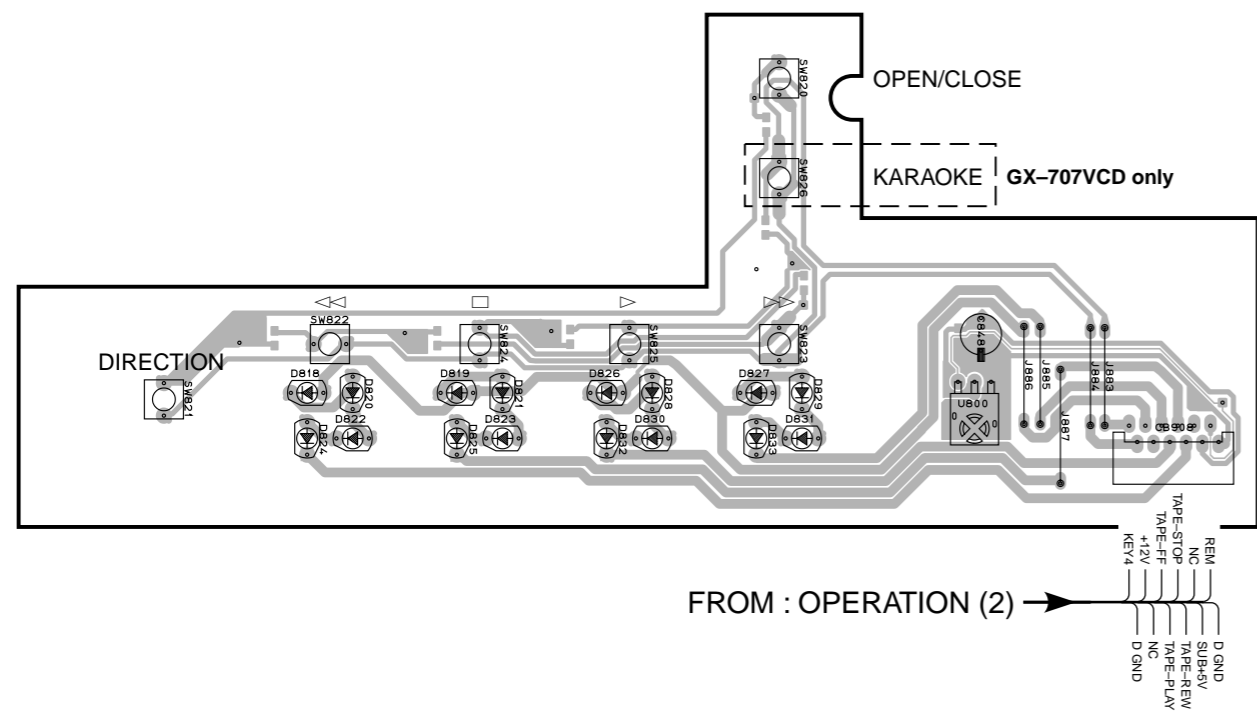
OPERATION P.C.B. ( 4 )

(Surface Mount Device)



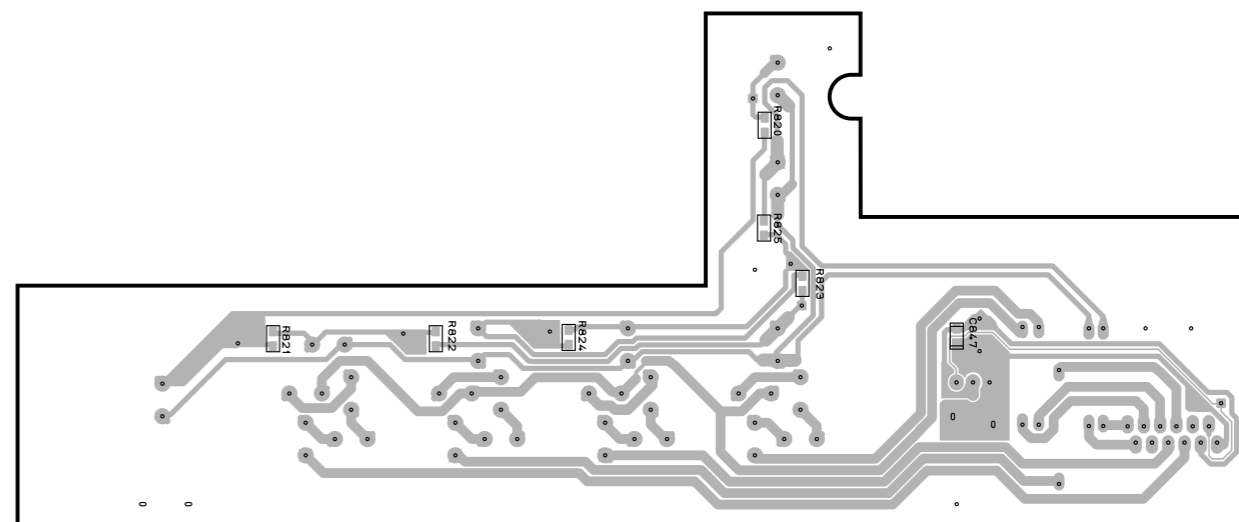
OPERATION P.C.B. ( 5 )

(Lead Type Device)



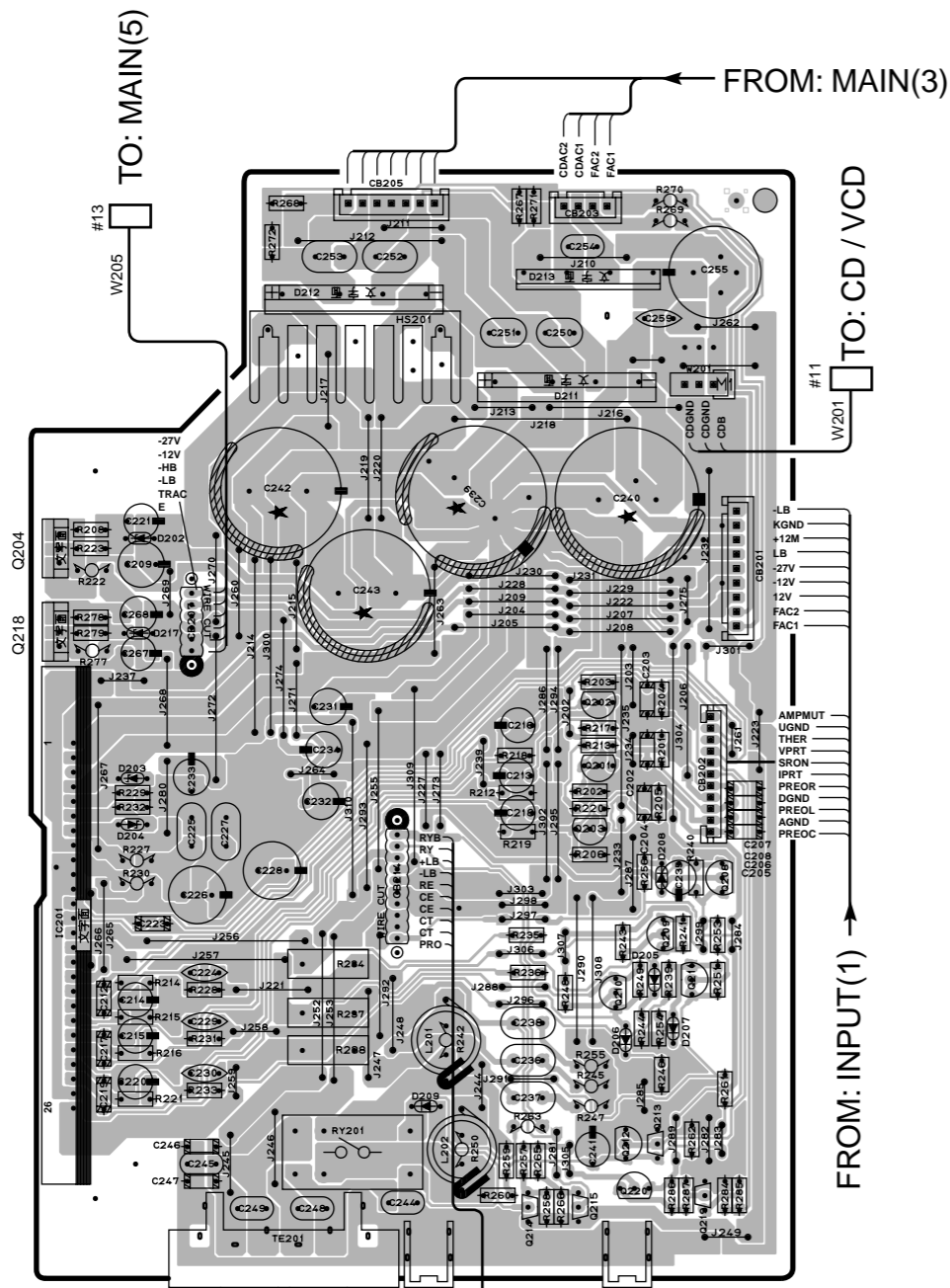
OPERATION P.C.B. ( 5 )

(Surface Mount Device)



PRINTED CIRCUIT BOARD (Foil side)

MAIN P.C.B. (1)

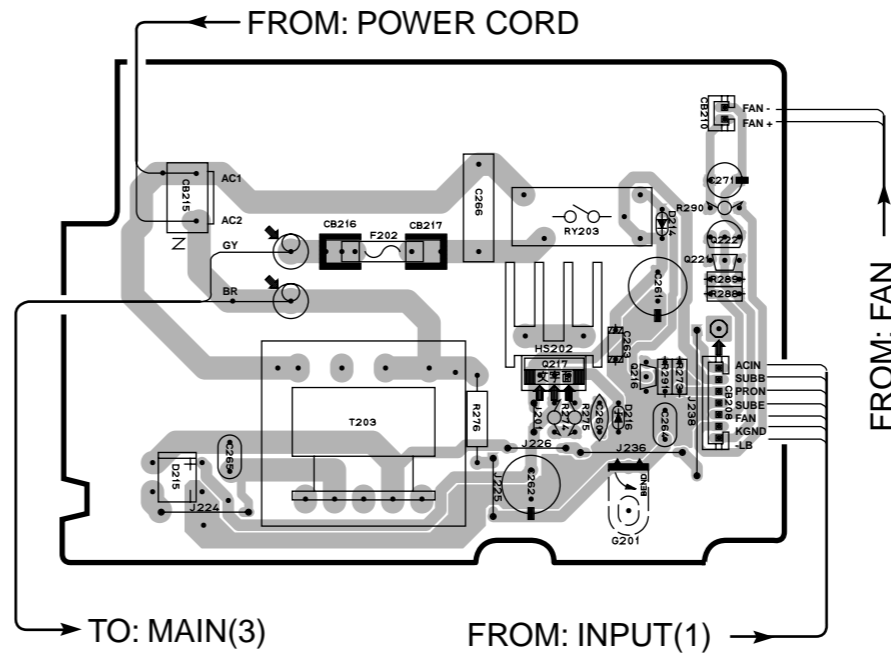


FRONT SPEAKERS

● Semiconductor Location

Ref. No.	Location	Ref. No.	Location
D202	A3	Q201	B3
D203	A3	Q202	B3
D204	A3	Q203	B3
D205	C4	Q204	A3
D206	B4	Q208	C4
D207	C4	Q209	C4
D208	C4	Q210	B4
D209	B4	Q211	C4
D211	B2	Q212	B4
D212	B2	Q213	C4
D213	B2	Q214	B4
D217	A3	Q215	B4
		Q218	A3
		Q219	C4
		Q220	B4
IC201	A4		

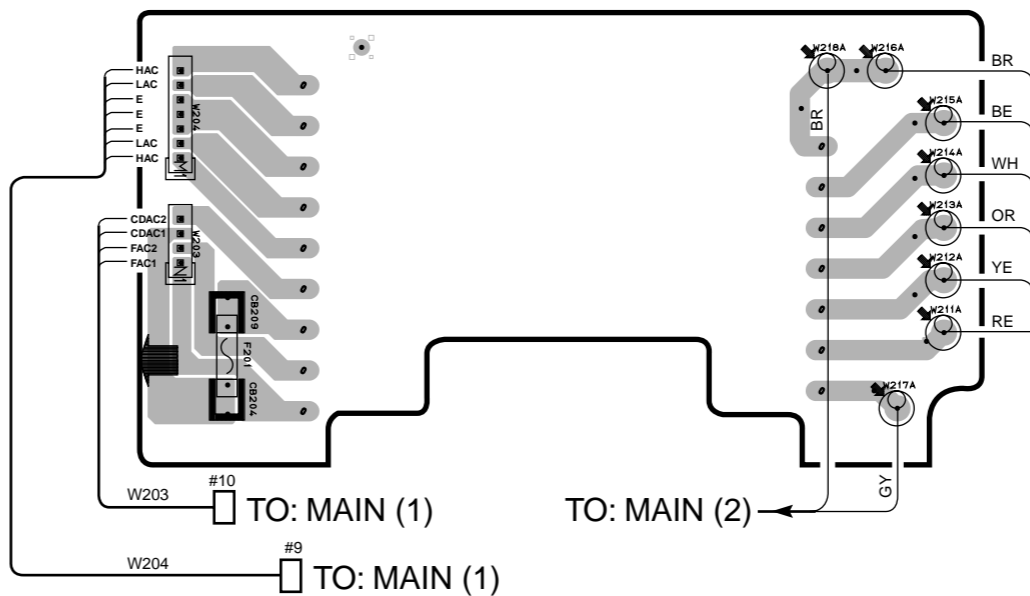
MAIN P.C.B. (2)



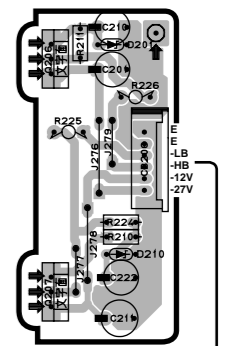
● Semiconductor Location

Ref. No.	Location	Ref. No.	Location
D201	G2	Q206	G3
D210	G33	Q207	G3
D214	F2	Q216	F2
D215	D3	Q217	E2
D216	E2	Q221	F2
		Q222	F2

MAIN P.C.B. (3)

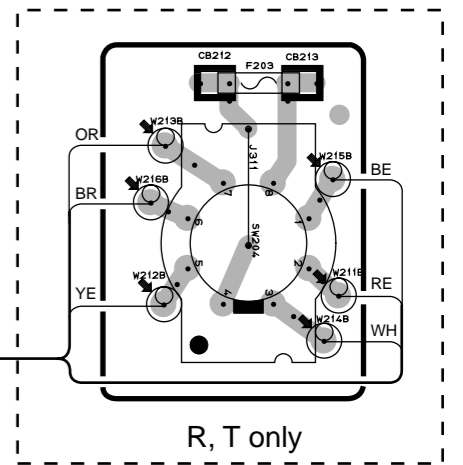


MAIN P.C.B. (5)



FROM: MAIN(1)

MAIN P.C.B. (4)



VOLTAGE SELECTOR

SW204

110V	1-2/5-6
120V	2-3/6-7
240V	3-4/7-8
220V	4-5/8-1

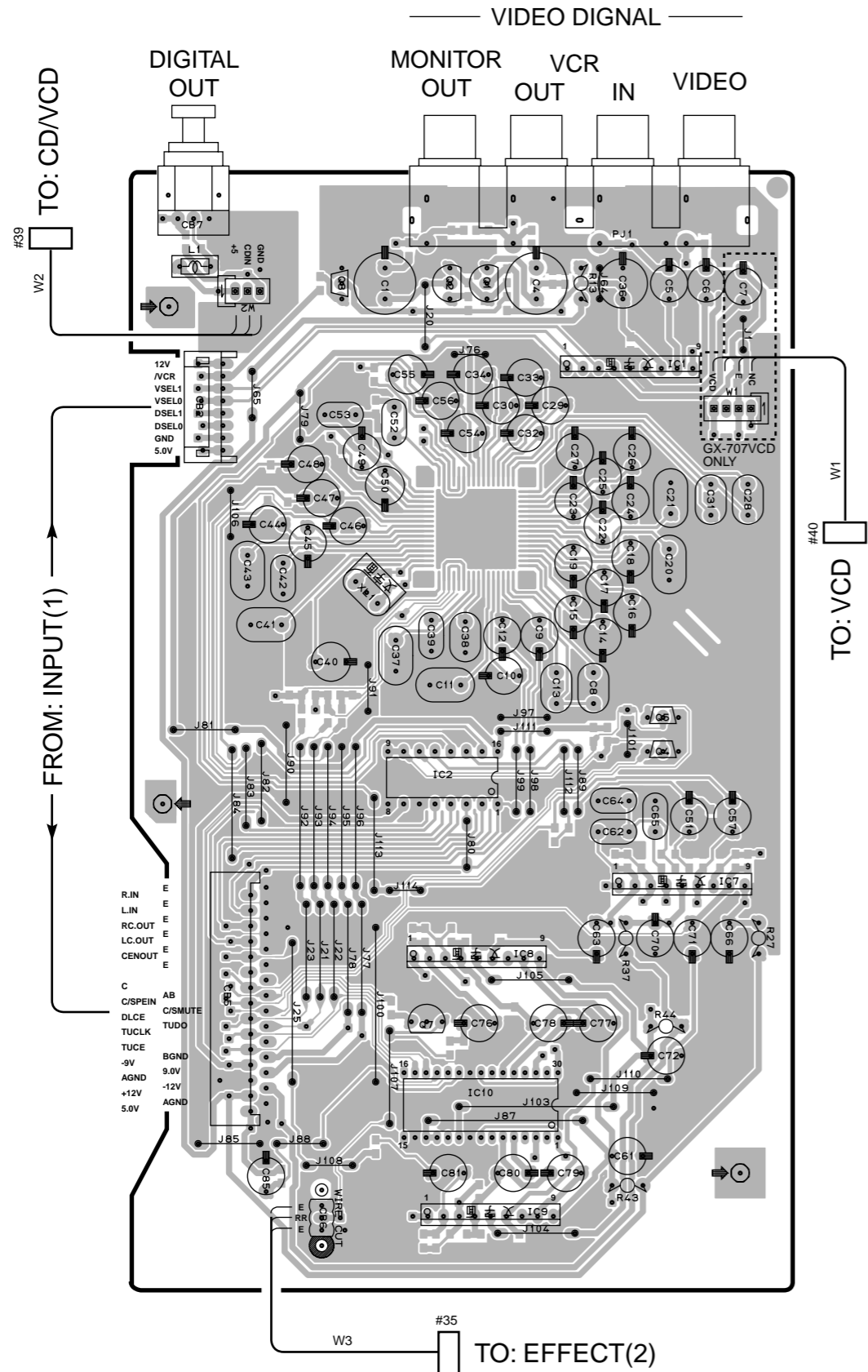
CIRCUIT CHANGES BY MARKET.

	U, C	R, T	A, B, G, L
Q217	X	O	X
HS202	X	O	X
D216	X	O	X
C260, 262	X	O	X
R274, 275	X	O	X
R276	O	X	X
J201	O	X	O

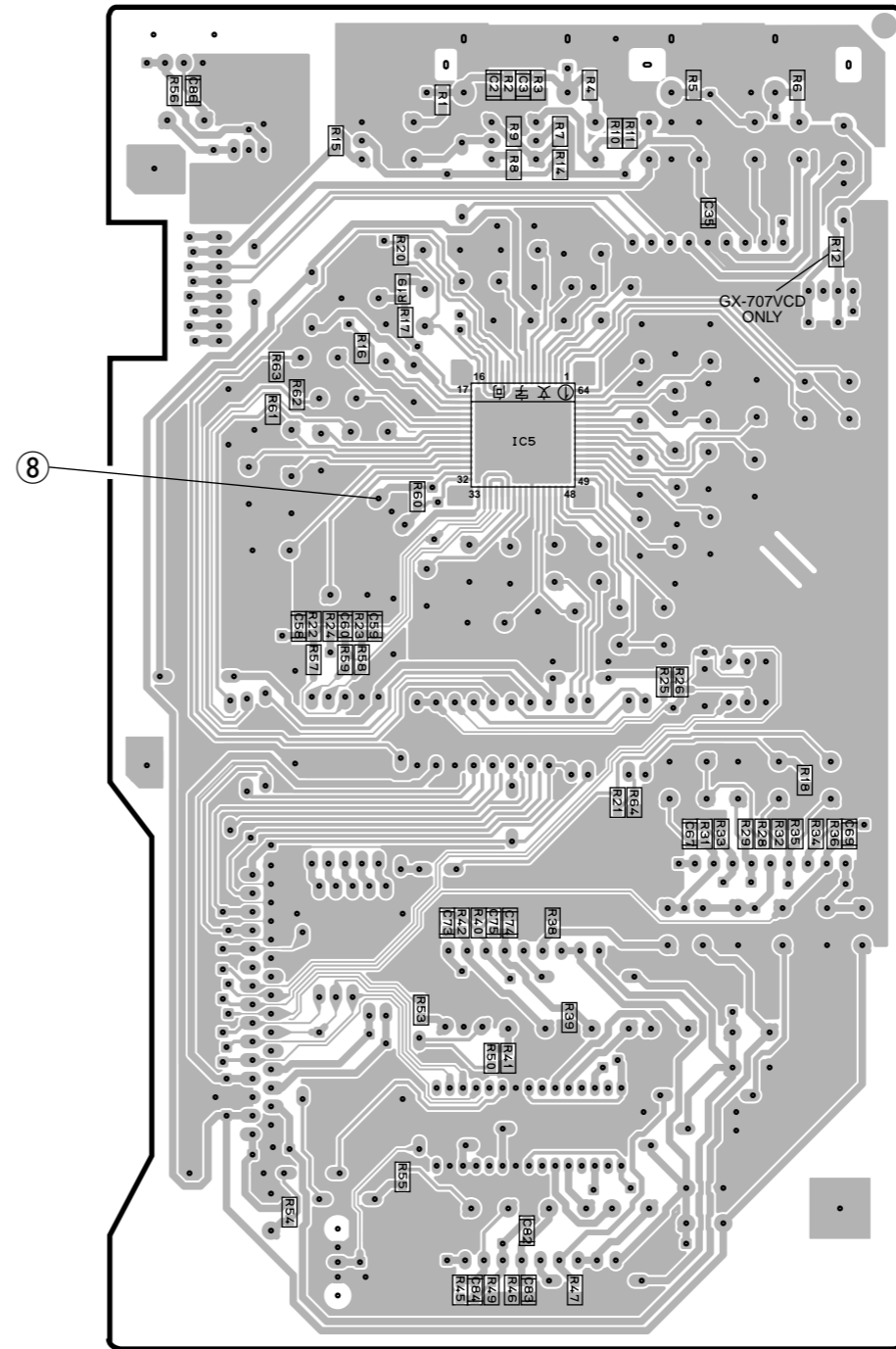
O : USED  
X : NOT USED

PRINTED CIRCUIT BOARD (Foil side)

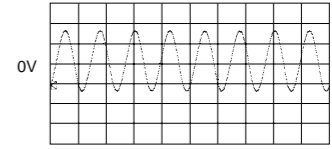
EFFECT P.C.B. (1) (Lead Type Device)



EFFECT P.C.B. (1) (Surface Mount Device)



Point 8 (Pin32 of IC5)  
 V : 2V/div H : 0.1 μsec/div  
 DC range 1 : 1 probe

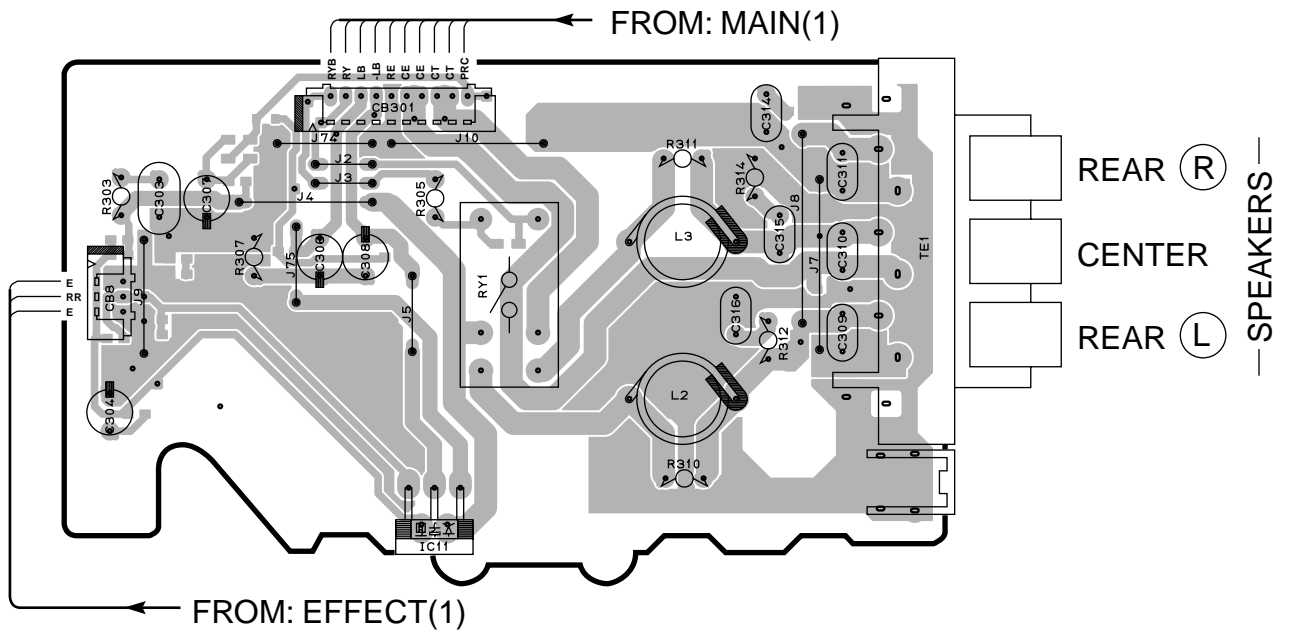


Semiconductor Location

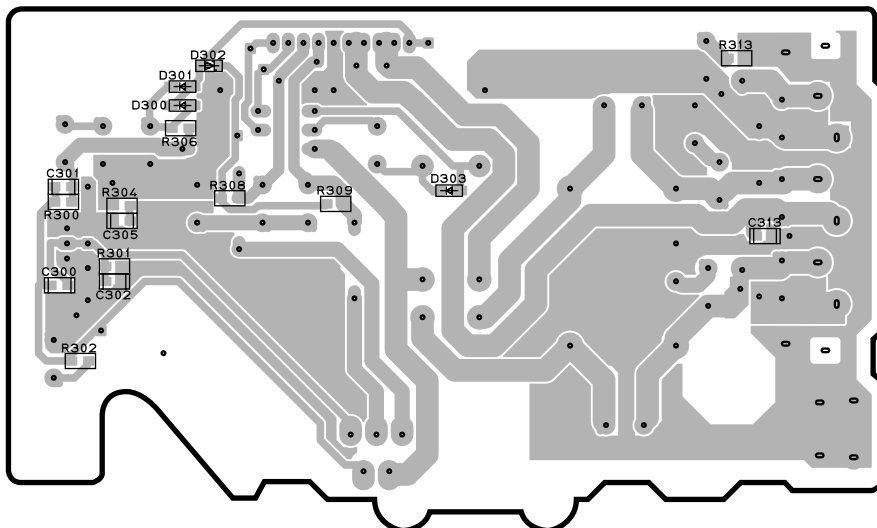
Ref. No.	Location	Ref. No.	Location
IC1	C2	Q1	C2
IC2	C4	Q2	C2
IC5	F3	Q3	B2
IC7	C44	Q4	C4
IC8	C4	Q5	C3
IC9	C5	Q7	C5
IC10	C5		

PRINTED CIRCUIT BOARD (Foil side)

EFFECT P.C.B. (2) (Lead Type Device)

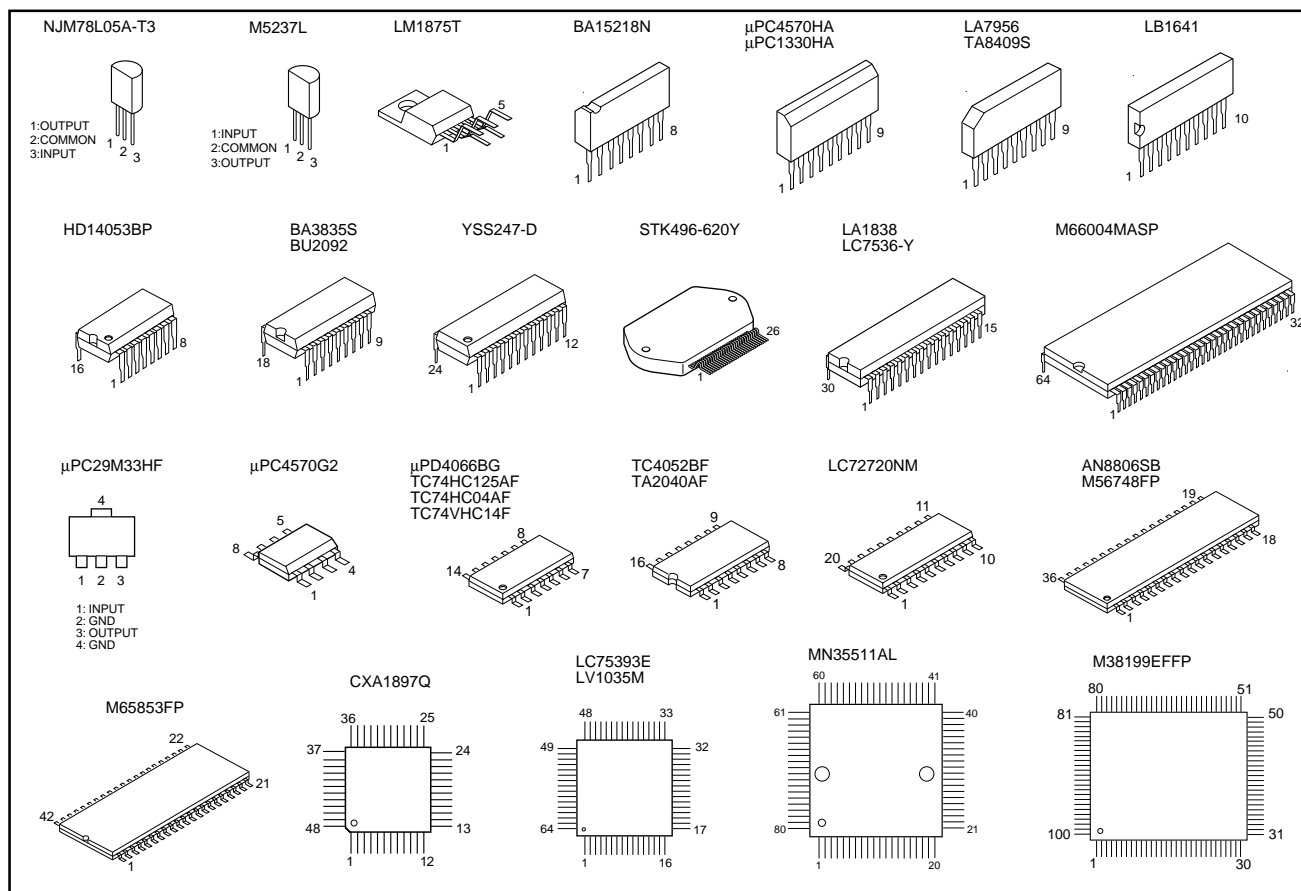


EFFECT P.C.B. (2) (Surface Mount Device)

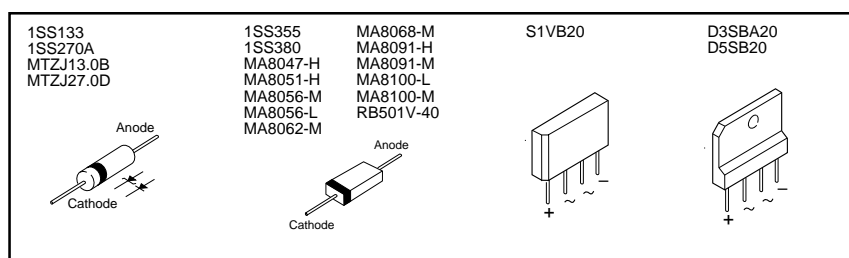


# PIN CONNECTION DIAGRAM

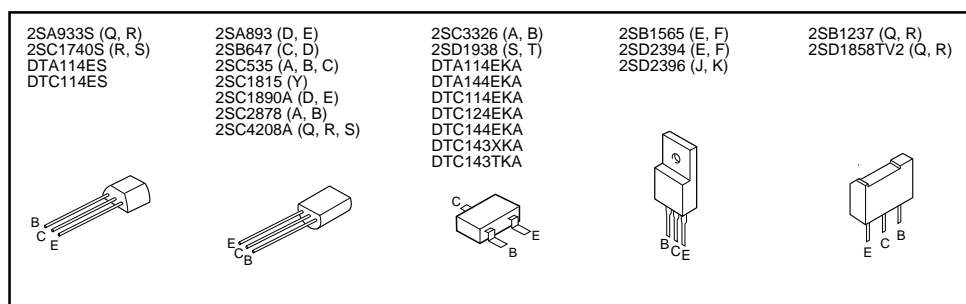
## ICs



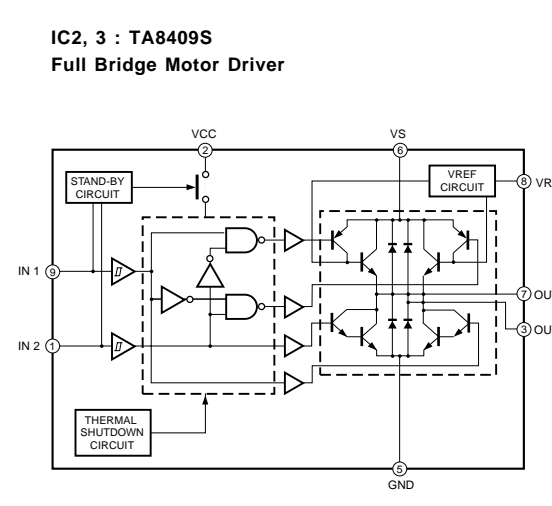
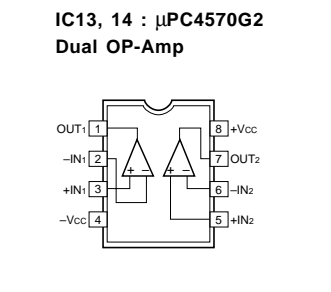
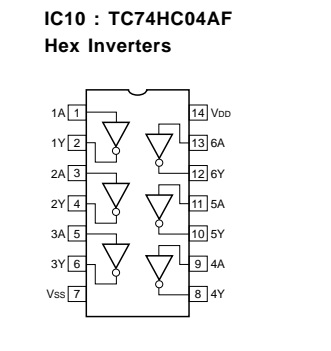
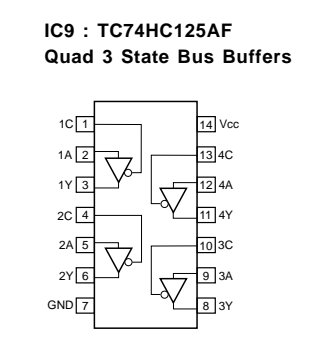
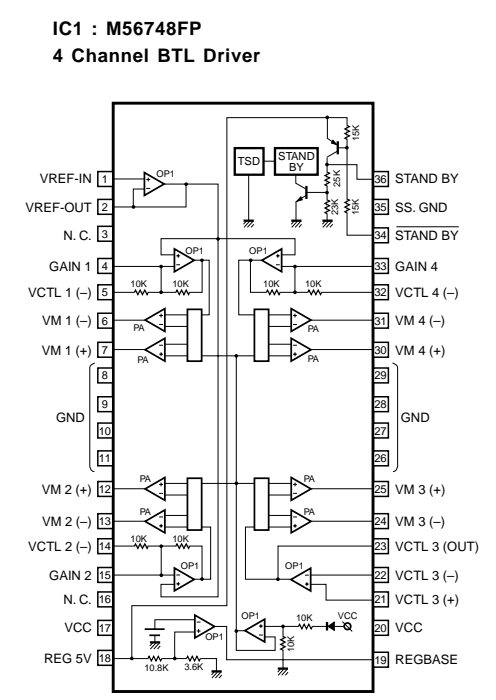
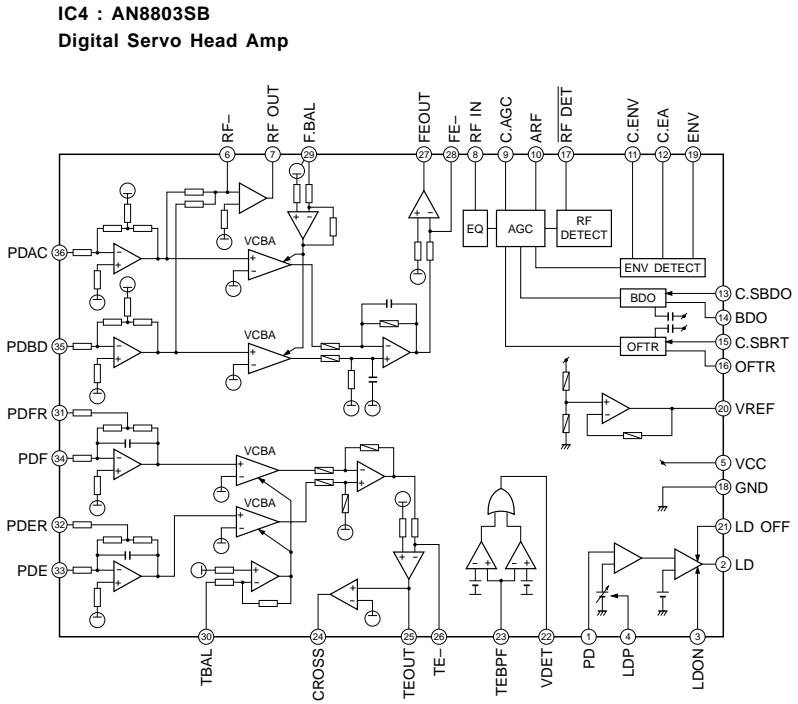
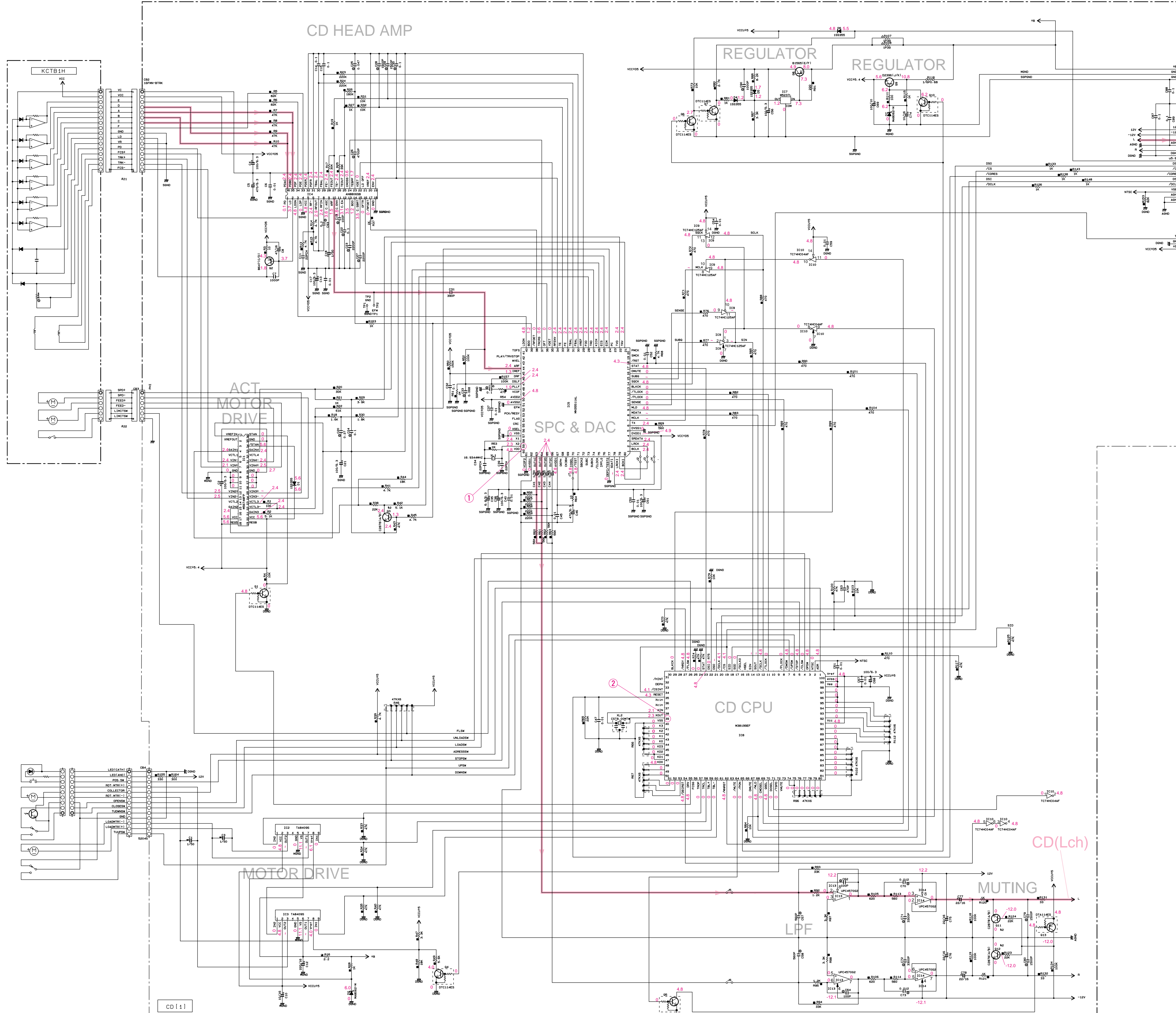
## Diodes



## Transistors

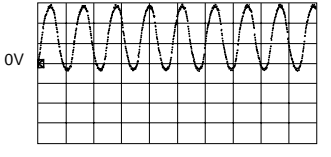


■ SCHEMATIC DIAGRAM (GX-707 CD)

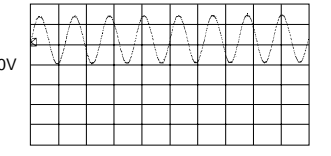


INPUT (IN1)	INPUT (IN2)	OUTPUT (OUT 1)	OUTPUT (OUT 2)	MODE (MOTOR)
0	0	H	L	STOP
0	1	H	H	CLOCKW
1	1	L	L	BRAKE

Point ① (Pin59 of IC5)  
V : 5V/div H : 50 nsec/div  
DC range 1 : 1 probe



Point ② (Pin39 of IC11)  
V : 2V/div H : 50 nsec/div  
DC range 1 : 1 probe

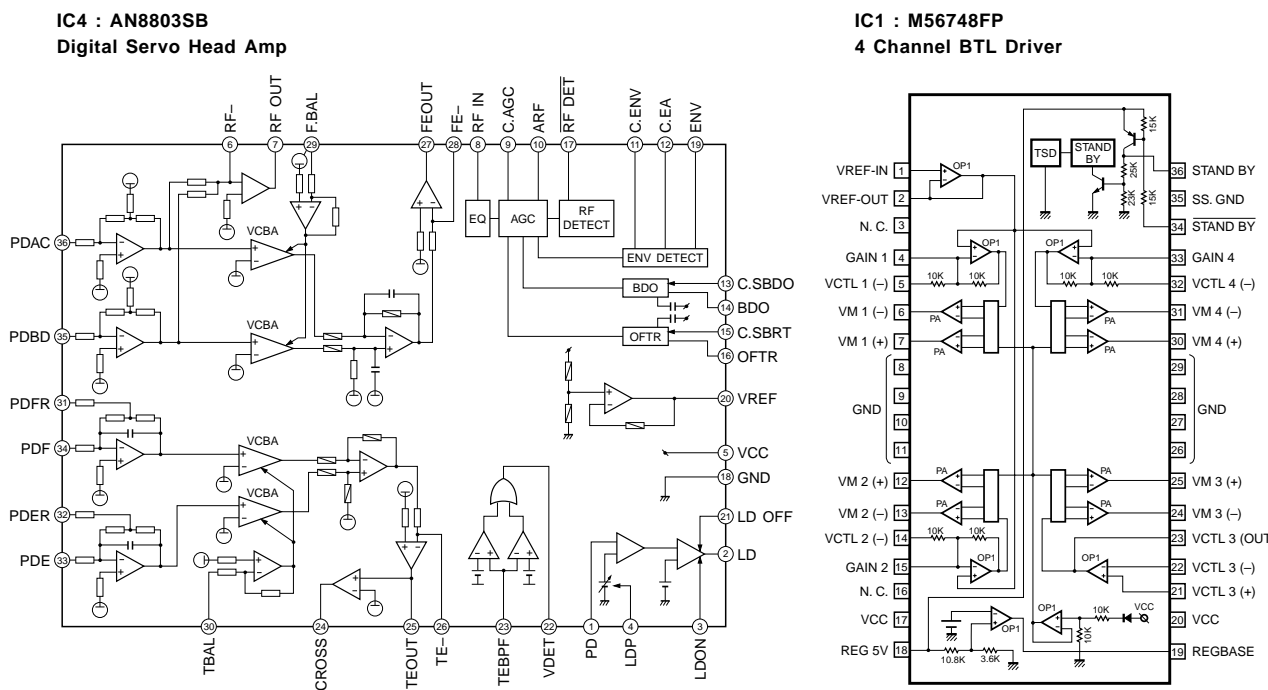
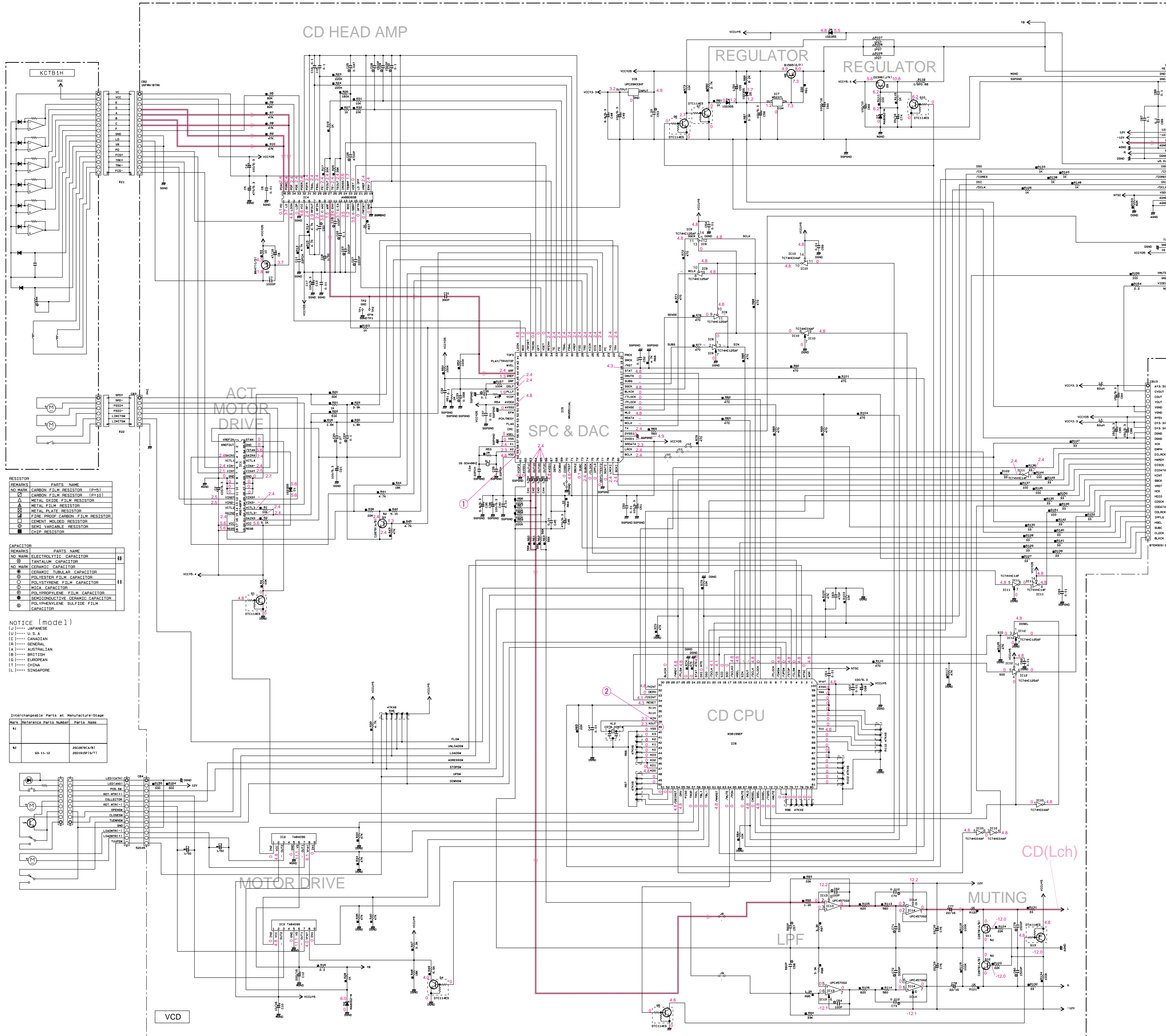


CD(Lch)

\* All voltage are measured with a 10MΩ/V DC electric volt meter.  
\* Components having special characteristics are marked with Δ and must be replaced with parts having specifications equal to those originally installed.  
\* Schematic diagram is subject to change without notice.



SCHEMATIC DIAGRAM (GX-707VCD VCD)

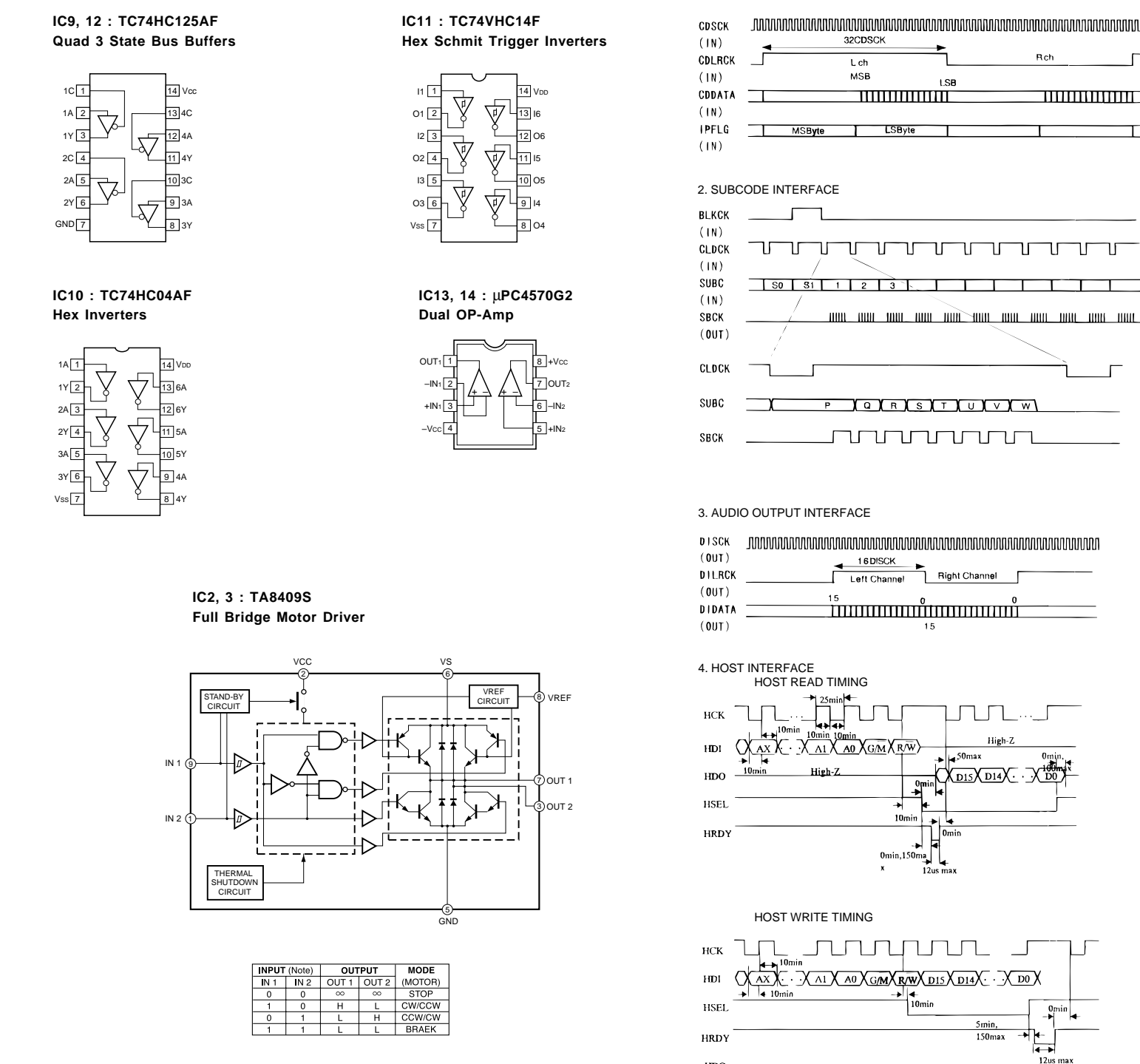


**VCD MODULE VZ150200**

**CONNECTION TERMINAL SPECIFICATION**

NO.	TERMINAL	I/O	FUNCTION
1	A+3.3V	O	+3.3V POWER SUPPLY FOR ANALOG VIDEO
2	CVOUT	O	COMPOSITE VIDEO OUT
3	CYOUT	O	C VIDEO OUTPUT (S)
4	YOUT	O	Y VIDEO OUTPUT (S)
5	VGND	O	ANALOG VIDEO GROUND
6	VGND	O	ANALOG VIDEO GROUND
7	R+5V	O	DIGITAL +5V POWER SUPPLY
8	D+3.3V	O	DIGITAL +3.3V POWER SUPPLY
9	D+3.3V	O	DIGITAL +3.3V POWER SUPPLY
10	DGND	O	DIGITAL GROUND
11	DGND	O	DIGITAL GROUND
12	XCK	I	AUDIO EXTERNAL FREQUENCY CLOCK
13	EMPH	O	AUDIO EMPHASIS OUTPUT
14	DILRCK	O	AUDIO LEFT RIGHT CLOCK
15	HRDY	O	HOST DATA READY
16	DISCK	O	AUDIO BIT CLOCK
17	DIDATA	O	AUDIO DATA SERIAL BUS
18	INT	O	HOST INTERRUPT
19	SBCK	O	SUBCODE CLOCK FOR CD-G
20	VRST	I	HARDWARE RESET (LOW ACTIVE)
21	HCK	I	HOST CLOCK
22	HDIO	I/O	HOST SERIAL DATA BUS
23	CDSCCK	I	CD BIT CLOCK
24	CDDATA	I	CD DATA
25	CDLCK	I	CD LEFT RIGHT CLOCK
26	IPFLG	I	CD DATA ERROR FLAG (CZP0)
27	HSEL	I	HOST ADDRESS DATA SELECT
28	SUBC	I	SUBCODE DATA FOR CD-G
29	BLCKC	I	SUBCODE FRAME SYNC FOR CD-G
30	BLCKC	I	SUBCODE BLOCK SYNC FOR CD-G

**NOTE:** None of the components of the VCD module can be supplied separately. Only a VCD module unit (VZ150200) is available.



\* All voltage are measured with a 10MΩ/V DC electric volt meter.  
 \* Components having special characteristics are marked Δ and must be replaced with parts having specifications equal to those originally installed.  
 \* Schematic diagram is subject to change without notice.



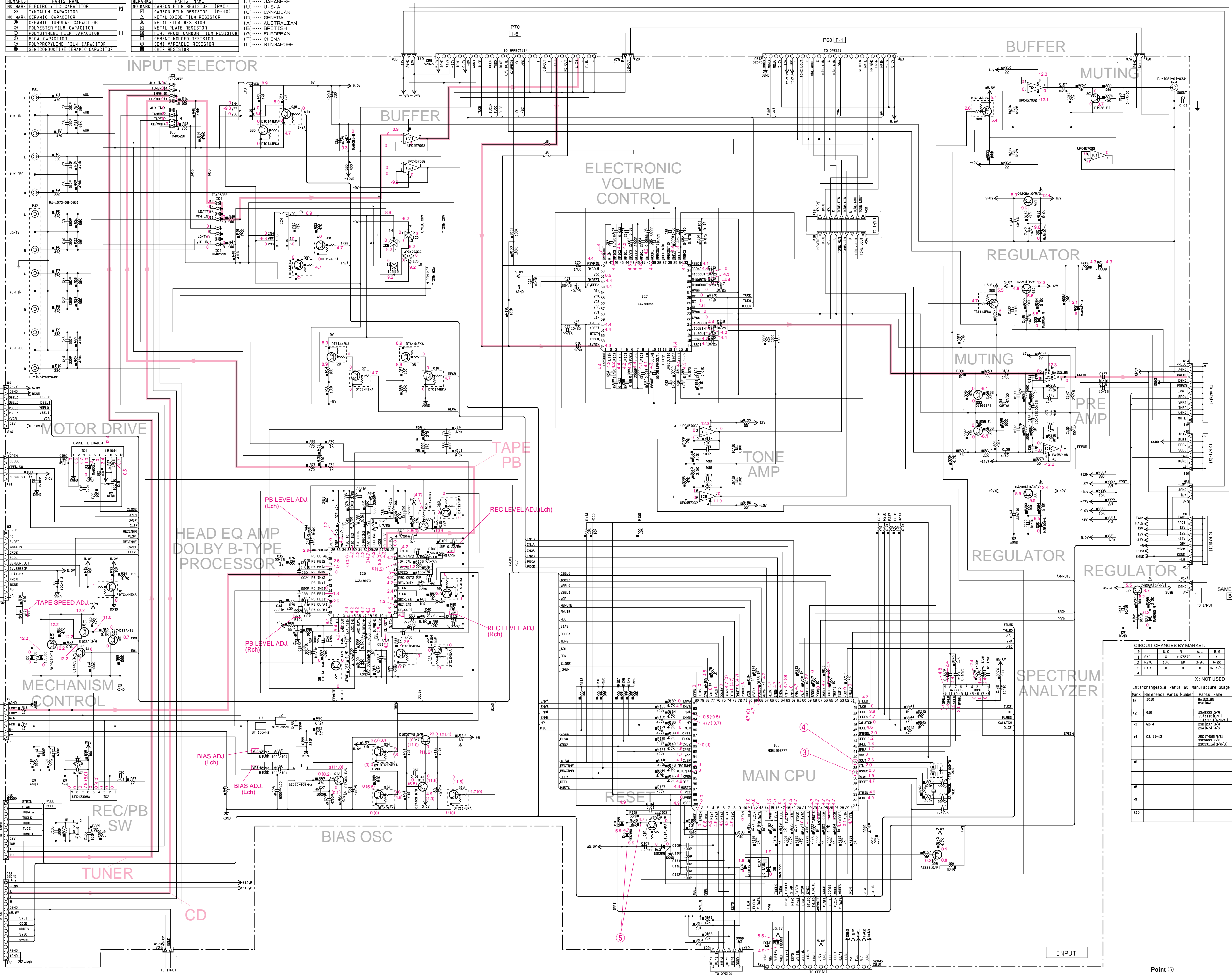
SCHEMATIC DIAGRAM (GX-707 INPUT)

The voltages are measured by LH tape at PLAY mode (no-signal condition) Only the voltages ( ) are at CD REC mode.

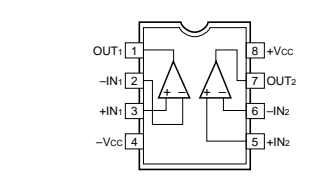
• DOLBY NR OFF

Table with 2 columns: CAPACITOR PARTS NAME, RESISTOR PARTS NAME. Lists various capacitor and resistor types and their corresponding part names.

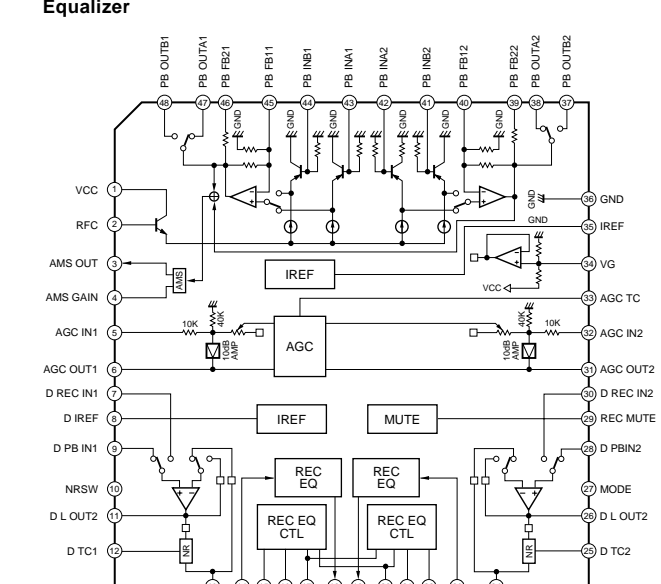
NOTICE (mode1)



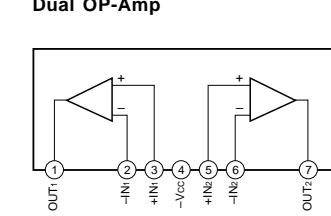
IC9, 11, 21 :  $\mu$ PC45702G Dual OP-Amp



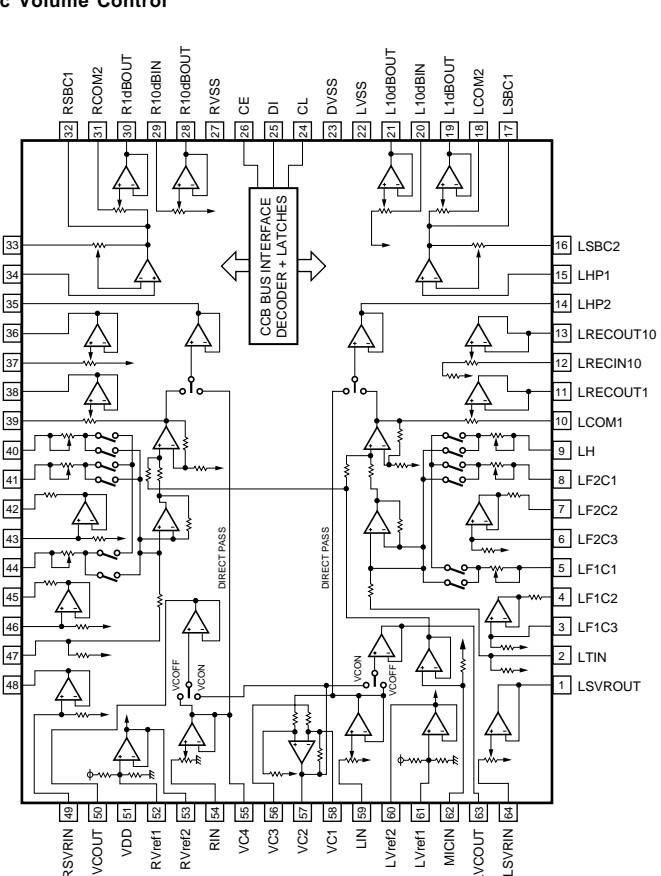
IC6 : CXA1897Q Dolby B-Type Noise Reduction System with Recording/Playback Equalizer



IC10 : BA15218N Dual OP-Amp



IC7 : LC75393E Electronic Volume Control



IC26 : BA3835S 5-Band BPF and Peak Hold for Spectrum Analyzer

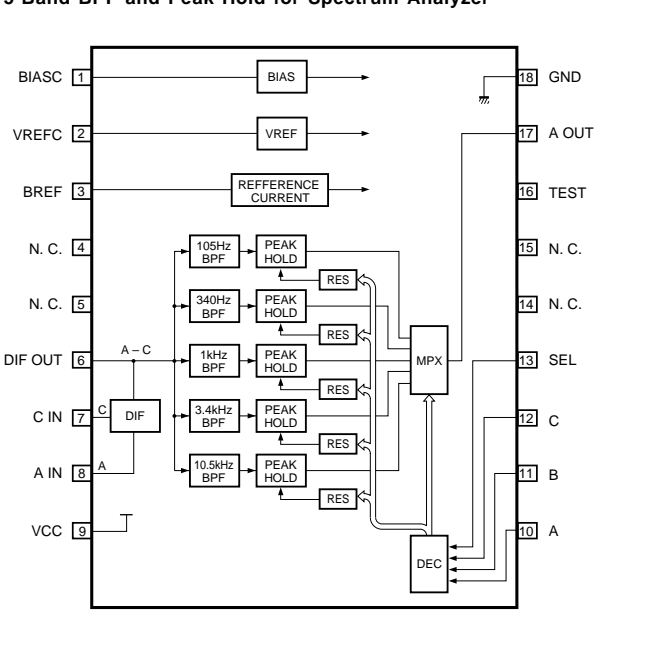


Table with 4 columns: Part No., Description, Remarks, and Remarks. Lists interchangeable parts and their details.

Interchangeable Parts at Manufacture Stage

Table with 4 columns: Part No., Description, Remarks, and Remarks. Lists interchangeable parts and their details.

Interchangeable Parts Substituted

Table with 4 columns: Part No., Description, Remarks, and Remarks. Lists interchangeable parts and their details.

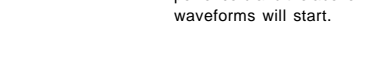
Point ⑤

CH1 : Collector of Q19 V : 2V/div (CH1)

CH2 : Anode of D11 V : 2V/div (CH2)

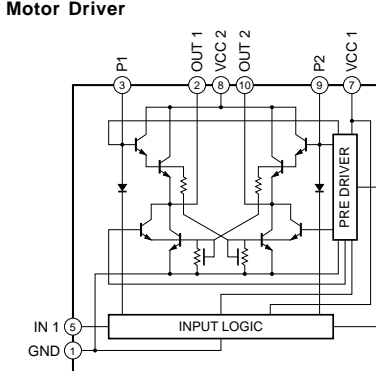
H : 2 sec/div DC range 1 : 1 probe

(This waveform is not available by pushing the power switch ON and OFF.)

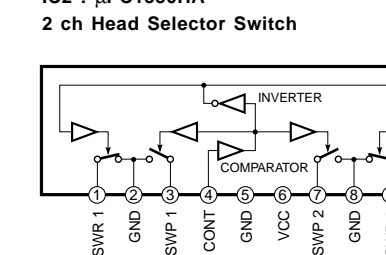


With the POWER ON, disconnect the power cord from the AC outlet.

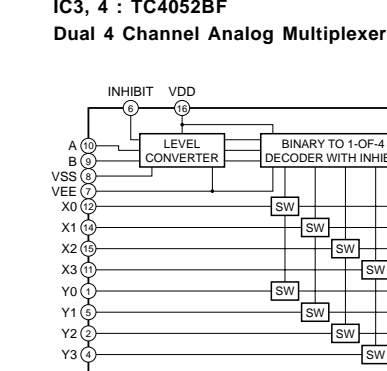
IC1 : LB1641 Motor Driver



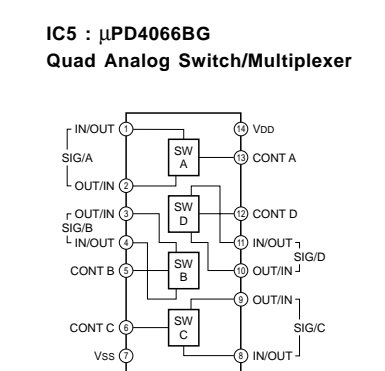
IC2 :  $\mu$ PC1330HA 2 ch Head Selector Switch



IC3, 4 : TC4052BF Dual 4 Channel Analog Multiplexers/Demultiplexers



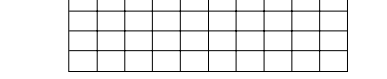
IC5 :  $\mu$ PD4066BG Quad Analog Switch/Multiplexer



Point ③ (Pin37 of IC8)

V : 2V/div H : 20  $\mu$ sec/div

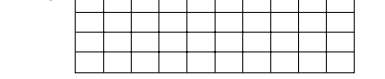
DC range 1 : 1 probe



Point ④ (Pin39 of IC8)

V : 50  $\mu$ sec/div

DC range 1 : 1 probe



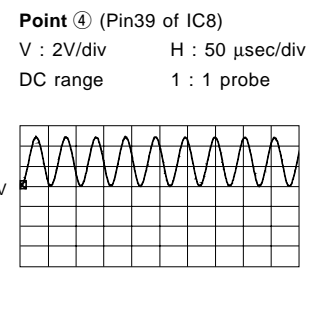
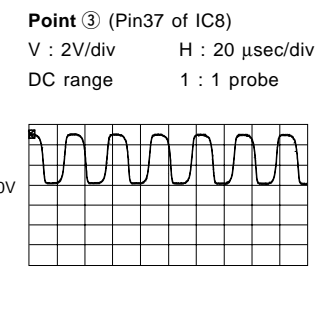
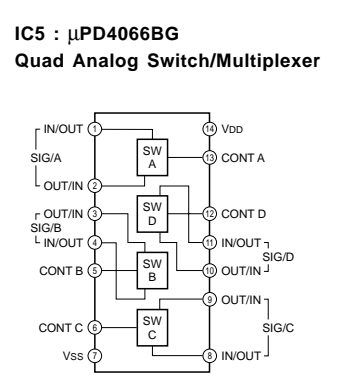
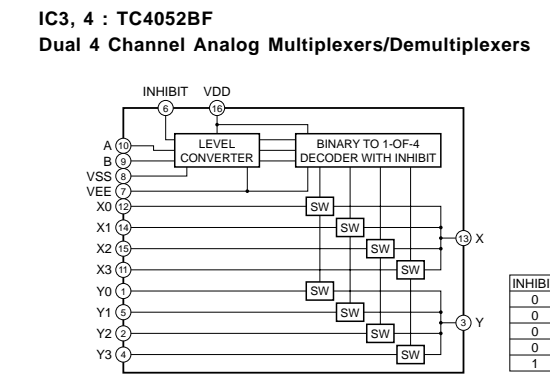
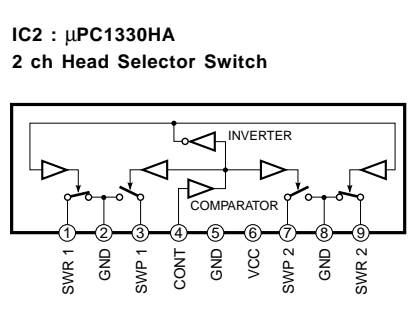
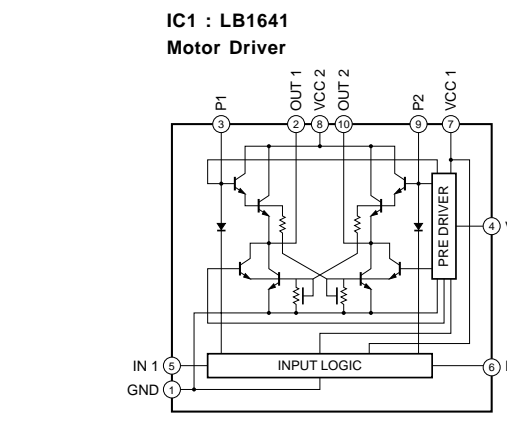
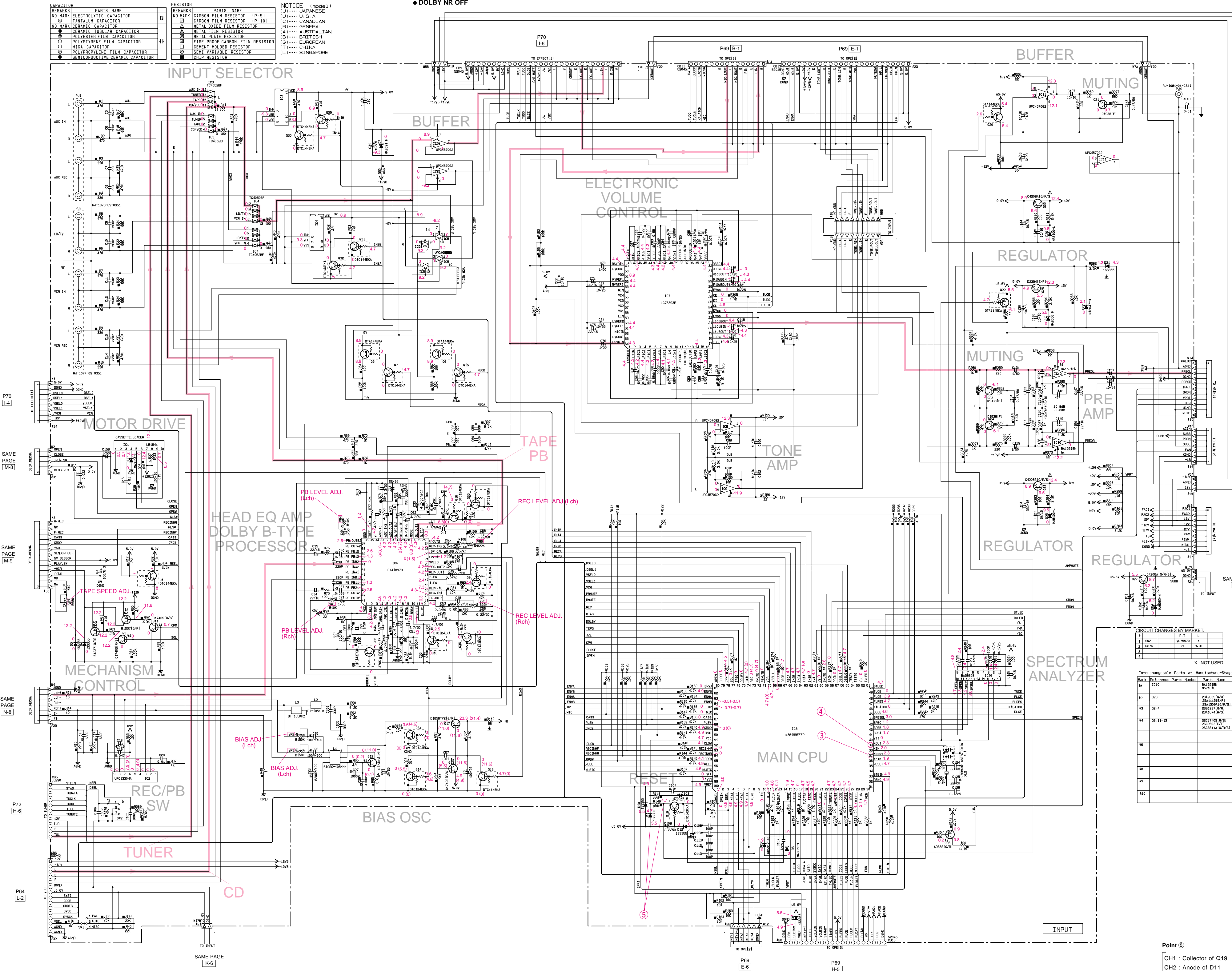
All voltage are measured with a 10M $\Omega$ /V DC electric volt meter. Components having special characteristics are marked  $\Delta$ . and must be replaced with parts having specifications equal to those originally installed. Schematic diagram is subject to change without notice.



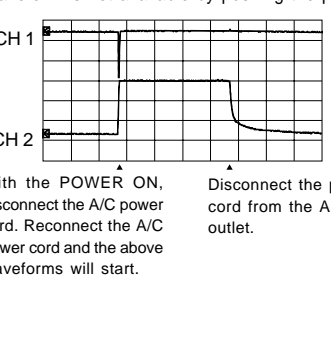
SCHEMATIC DIAGRAM (GX-707VCD INPUT)

The voltages are measured by LH tape at PLAY mode (no-signal condition) Only the voltages ( ) are at CD REC mode.

• DOLBY NR OFF

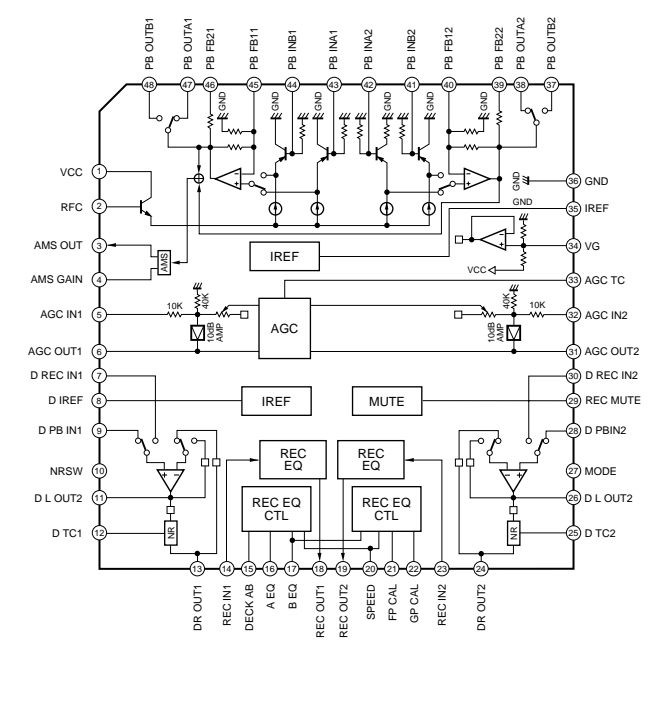


Point ⑤  
CH1: Collector of Q19 V: 2V/div (CH1)  
CH2: Anode of D11 V: 2V/div (CH2)  
H: 2 sec/div DC range 1:1 probe  
(This waveform is not available by pushing the power switch ON and OFF.)

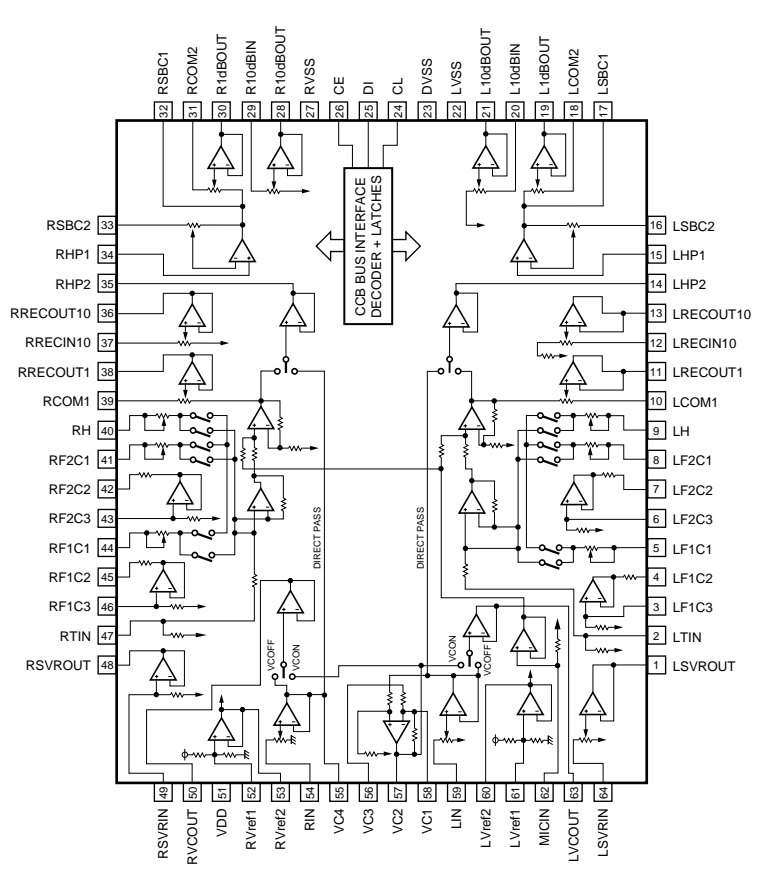


With the POWER ON, disconnect the A/C power cord. Reconnect the A/C power cord and the above waveforms will start.

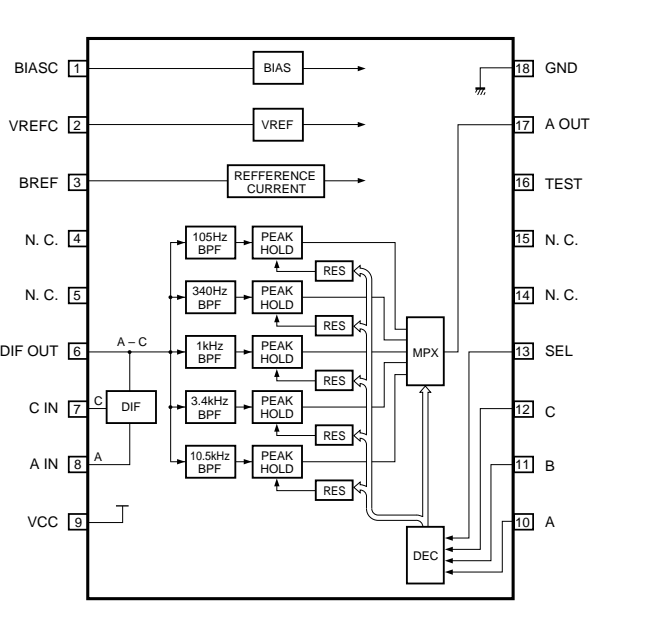
IC6: CXA1897Q Dolby B-Type Noise Reduction System with Recording/Playback Equalizer



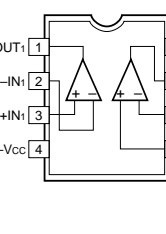
IC7: LC75393E Electronic Volume Control



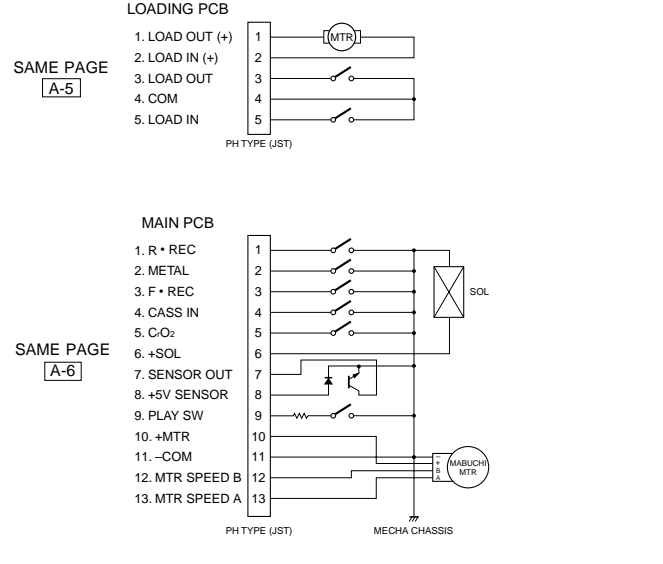
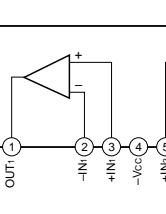
IC26: BA3835S 5-Band BPF and Peak Hold for Spectrum Analyzer



IC9, 11, 21: uPC4570G2 Dual OP-Amp



IC10: BA15218N Dual OP-Amp

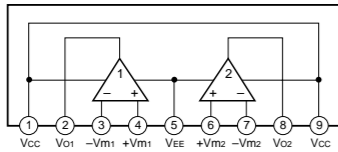


\* All voltage are measured with a 10MΩ/V DC electric volt meter.  
\* Components having special characteristics are marked Δ and must be replaced with parts having specifications equal to those originally installed.  
\* Schematic diagram is subject to change without notice.

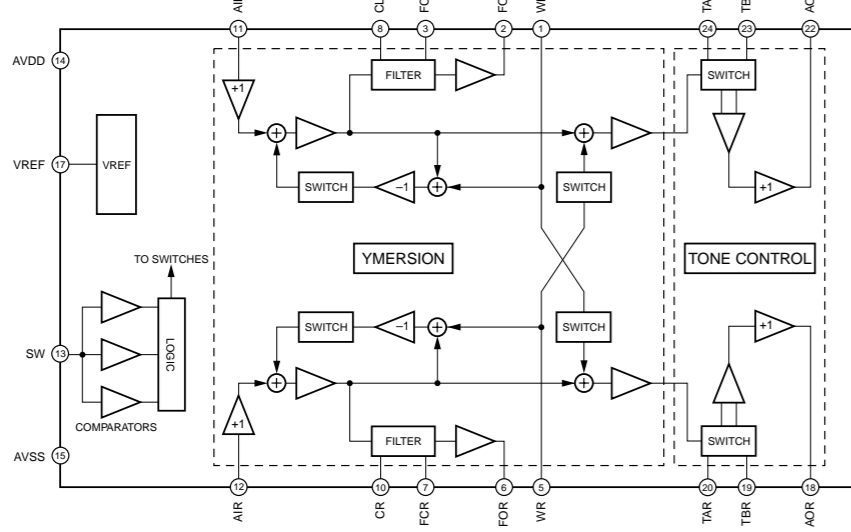


SCHEMATIC DIAGRAM (GX-707 OPERATION)

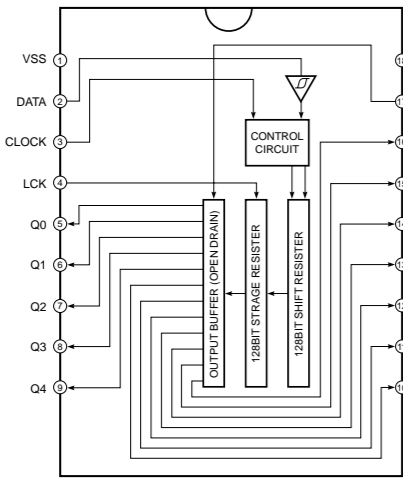
IC807 :  $\mu$ PC4570HA  
Dual OP-Amp



IC804 : YSS247-D  
YMERSON



IC802 : BU2092  
Serial In/Parallel Out Driver



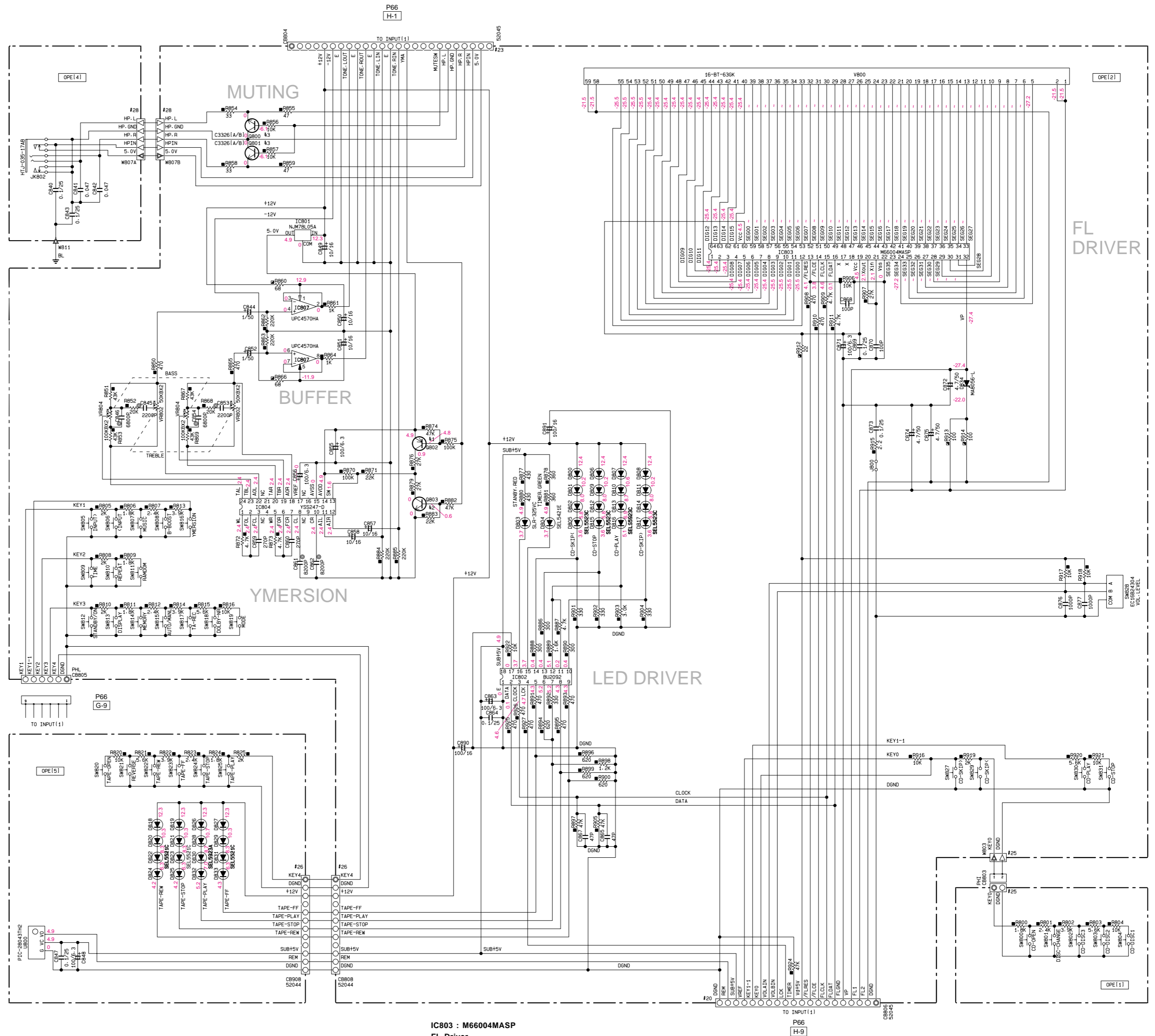
Interchangeable Parts at Manufacture-Stage

Mark	Reference Parts Number	Parts Name
k1	Q802	2S49331G/R/1
		2S411151E/F/1
		2S4130941G/R/S/1
k2	Q803	2S17405R/S/1
		2S26031E/F/1
		2S331141G/R/S/1
k3	Q800-801	2S33261A/B/1
		2S33266

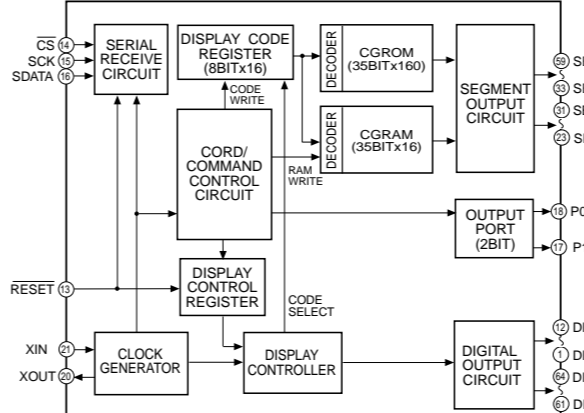
REMARKS	PARTS NAME
NO MARK	CARBON FILM RESISTOR (P=5)
K	CARBON FILM RESISTOR (P=10)
M	METAL OXIDE FILM RESISTOR
Δ	METAL FILM RESISTOR
□	METAL PLATE RESISTOR
⊠	FIRE-PROOF CARBON FILM RESISTOR
□	CEMENT MOLDED RESISTOR
⊞	SEMI-VARIABLE RESISTOR
■	CHIP RESISTOR

REMARKS	PARTS NAME
NO MARK	ELECTROLYTIC CAPACITOR
⊗	TANTALUM CAPACITOR
NO MARK	CERAMIC CAPACITOR
●	CERAMIC TUBULAR CAPACITOR
⊙	POLYESTER FILM CAPACITOR
○	POLYSTYRENE FILM CAPACITOR
○	MICA CAPACITOR
⊙	POLYPROPYLENE FILM CAPACITOR
●	SEMICONDUCTIVE CERAMIC CAPACITOR

NOTICE (mode1)  
(J)..... JAPANESE  
(U)..... U.S.A  
(C)..... CANADIAN  
(R)..... GENERAL  
(A)..... AUSTRALIAN  
(B)..... BRITISH  
(G)..... EUROPEAN  
(T)..... CHINA  
(L)..... SINGAPORE

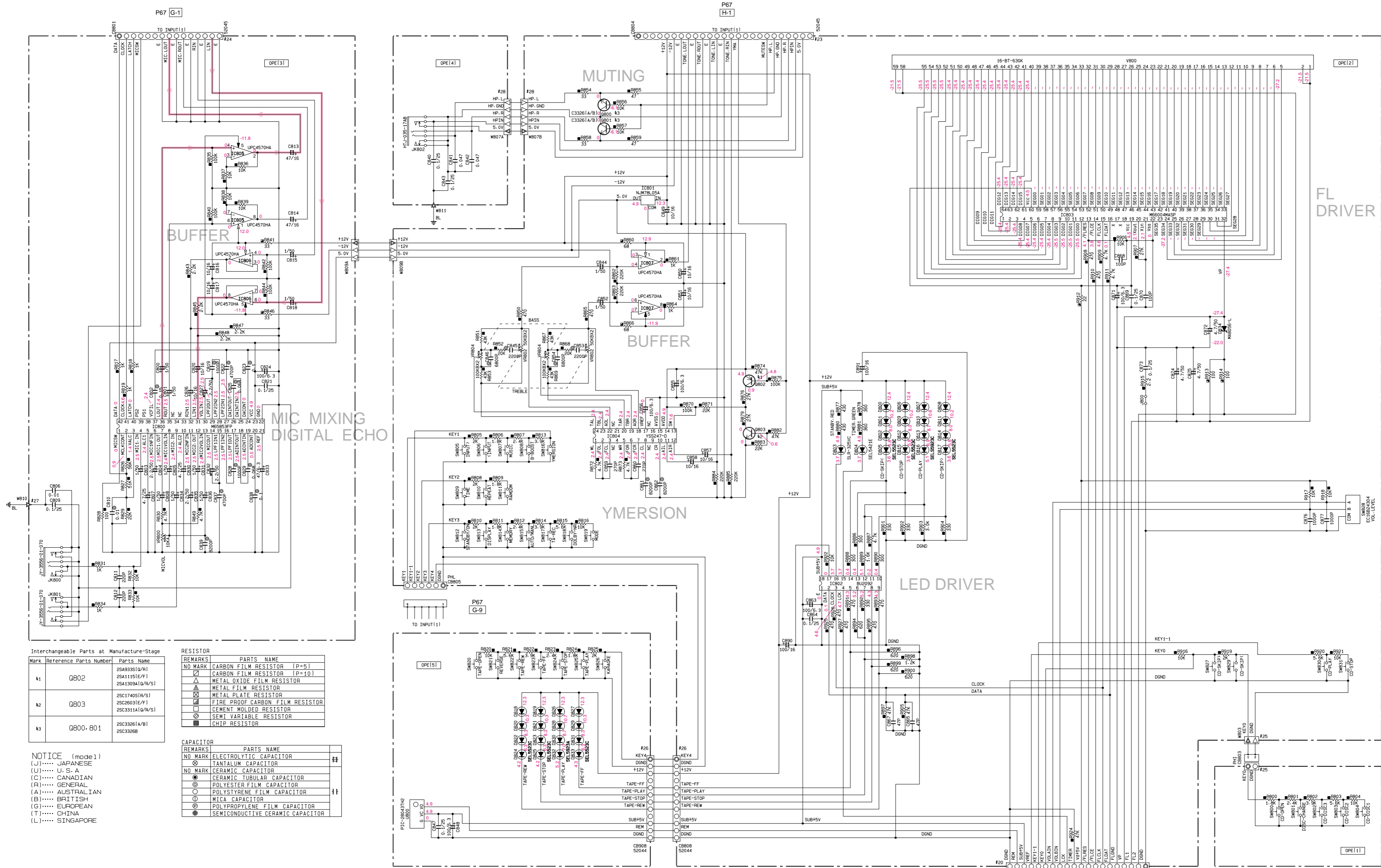


IC803 : M66004MASP  
FL Driver

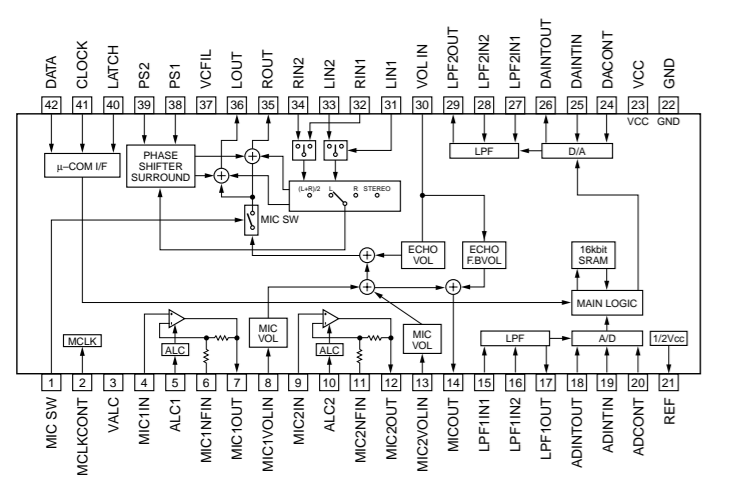


\* All voltage are measured with a 10M $\Omega$ /V DC electric volt meter.  
\* Components having special characteristics are marked  $\Delta$  and must be replaced with parts having specifications equal to those originally installed.  
\* Schematic diagram is subject to change without notice.

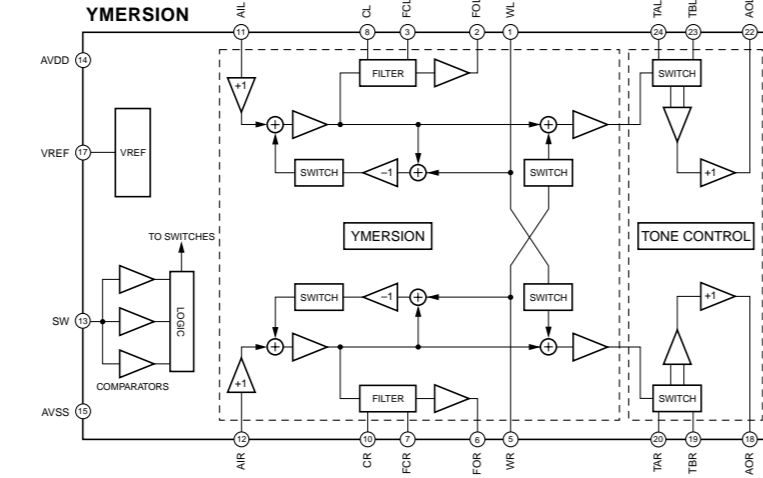
■ SCHEMATIC DIAGRAM (GX-707VCD OPERATION)



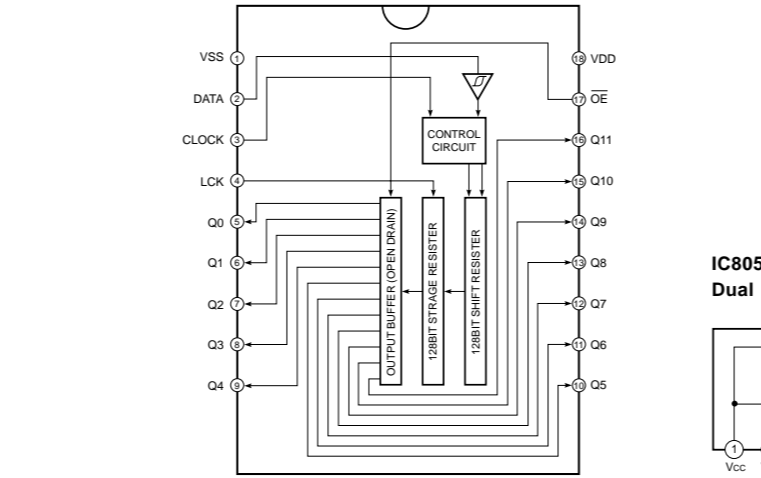
IC801 : M65853FP  
Mic Amp with Digital Echo



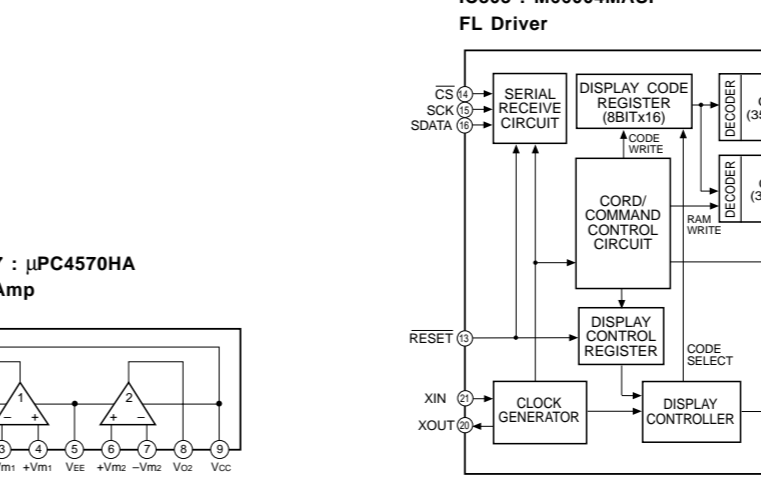
IC804 : YSS247-D  
YMERSON



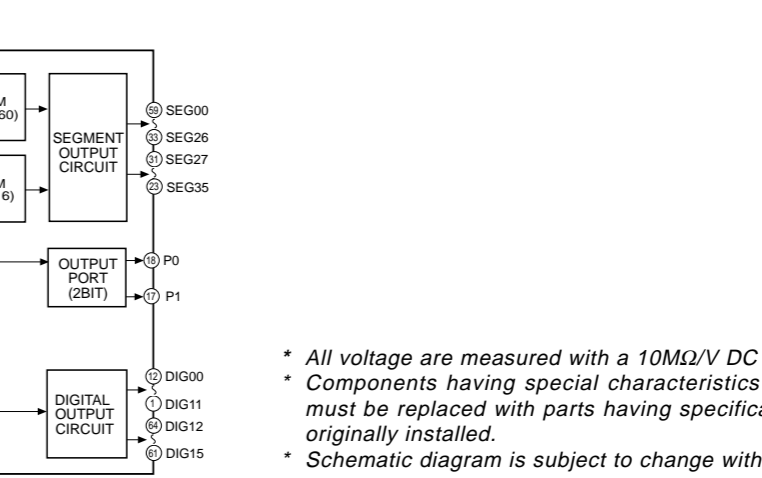
IC802 : BU2092  
Serial In/Parallel Out Driver



IC803 : M66004MASP  
FL Driver



IC805-807 : μPC4570HA  
Dual OP-Amp



Interchangeable Parts at Manufacture-Stage

Mark	Reference Parts Number	Parts Name
k1	Q802	25A49393(A/R/S) 25A41151(E/F1) 25A1309(A/R/S)
k2	Q803	25C17405(A/R/S) 25C2603(E/F1) 25C331(A/R/S)
k3	Q800-B01	25C3326(A/R/S) 25C3326B

RESISTOR

REMARKS	PARTS NAME
NO MARK	CARBON FILM RESISTOR (P=5)
△	CARBON FILM RESISTOR (P=10)
□	METAL OXIDE FILM RESISTOR
◇	METAL FILM RESISTOR
○	METAL PLATE RESISTOR
⊗	FIRE PROOF CARBON FILM RESISTOR
⊙	CEMENT MOLDED RESISTOR
⊕	SEMI VARIABLE RESISTOR
●	CHIP RESISTOR

CAPACITOR

REMARKS	PARTS NAME
NO MARK	ELECTROLYTIC CAPACITOR
⊗	TANTALUM CAPACITOR
NO MARK	CERAMIC CAPACITOR
⊙	CERAMIC TUBULAR CAPACITOR
○	POLYESTER FILM CAPACITOR
⊕	POLYSTYRENE FILM CAPACITOR
⊖	MICA CAPACITOR
⊙	POLYPROPYLENE FILM CAPACITOR
●	SEMICONDUCTIVE CERAMIC CAPACITOR

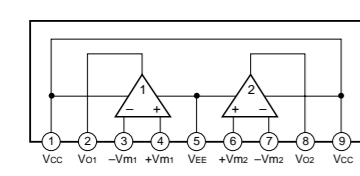
NOTICE (model)  
(J)..... JAPANESE  
(U)..... U.S.A  
(C)..... CANADIAN  
(R)..... GENERAL  
(A)..... AUSTRALIAN  
(B)..... BRITISH  
(G)..... EUROPEAN  
(T)..... CHINA  
(L)..... SINGAPORE

\* All voltage are measured with a 10MΩ/V DC electric volt meter.  
\* Components having special characteristics are marked △ and must be replaced with parts having specifications equal to those originally installed.  
\* Schematic diagram is subject to change without notice.

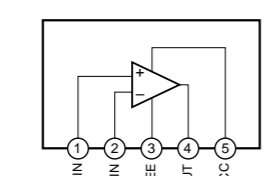


■ SCHEMATIC DIAGRAM (GX-707/GX-707VCD EFFECT)

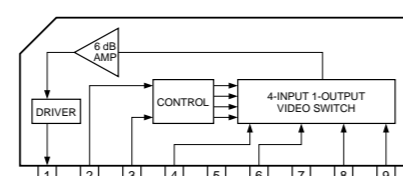
IC7 - 9 :  $\mu$ PC4570HA  
Dual OP-Amp



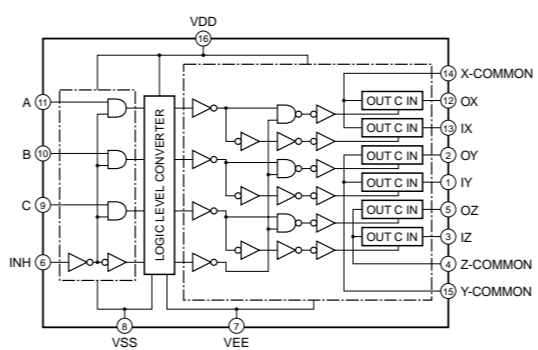
IC11 : LM1875T  
Power Amp



IC1 : LA7956  
Video Amp

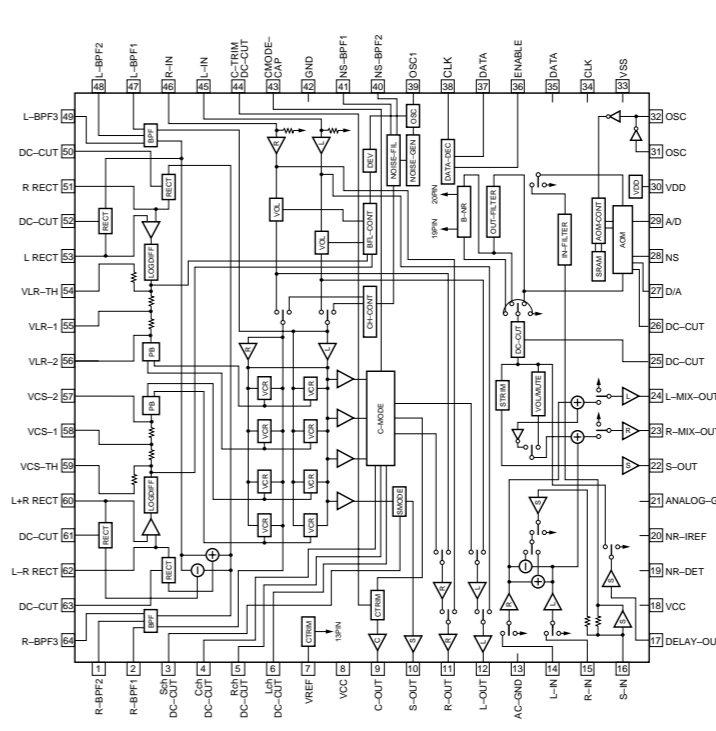


IC2 : HD14053BP  
Triple 2 Channel Analog Multiplexers/Demultiplexers

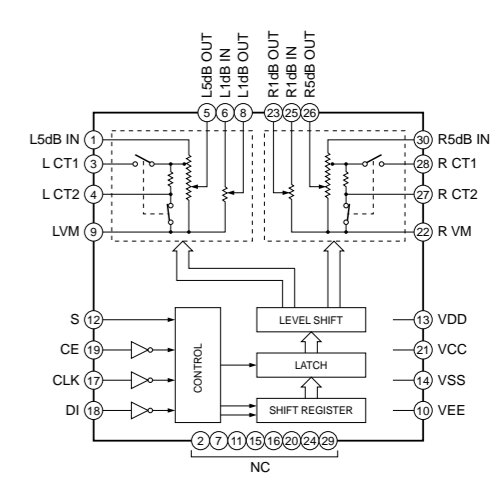


CONTROL	INPUT	OUTPUT	FUNCTION
L	L	L	Left Channel
R	R	R	Right Channel
C	C	C	Center Channel
S	S	S	Surround Channel
...	...	...	...

IC5 : LV1035M  
Dolby ProLogic Decoder



IC10 : LC7536-Y  
Electric Controlled Volume

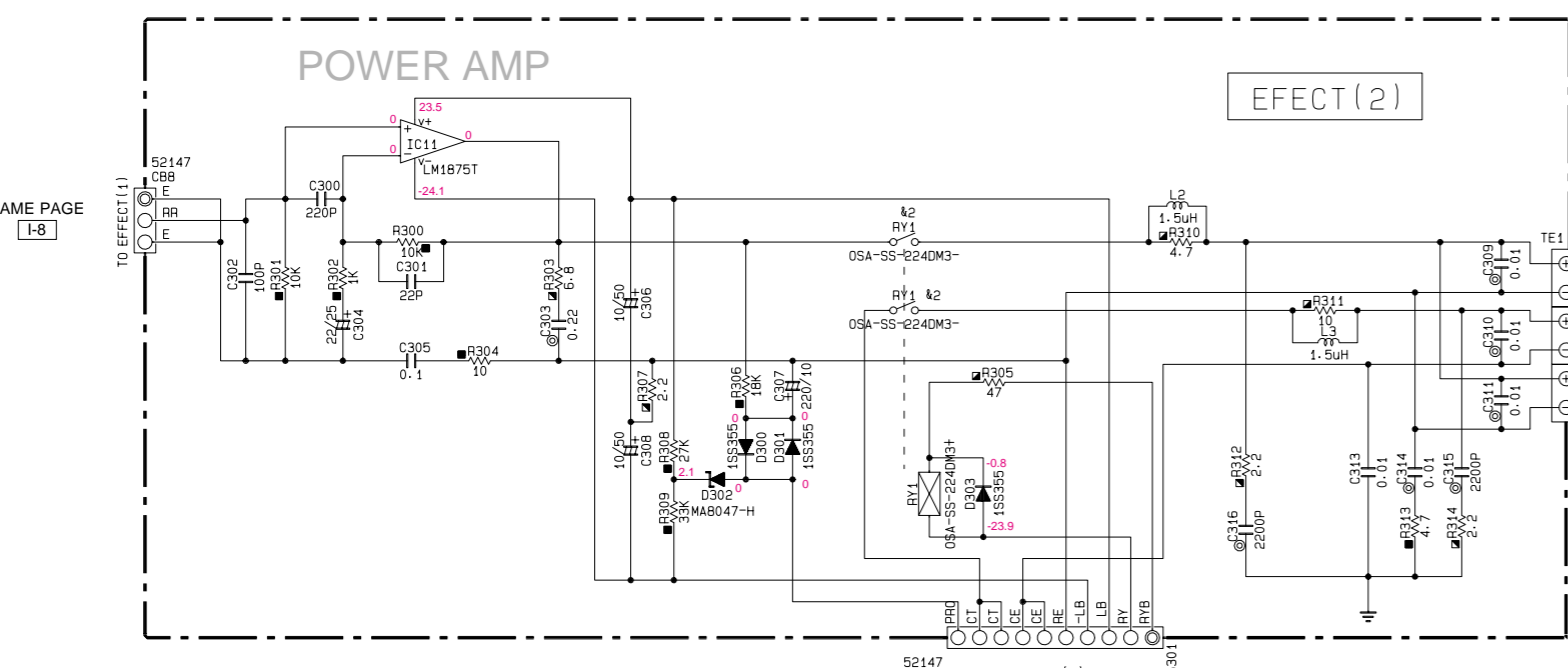


NOTICE (model)  
(J)..... JAPANESE  
(U)..... U.S.A  
(C)..... CANADIAN  
(A)..... AUSTRALIAN  
(B)..... BRITISH  
(G)..... EUROPEAN  
(T)..... CHINA  
(L)..... SINGAPORE

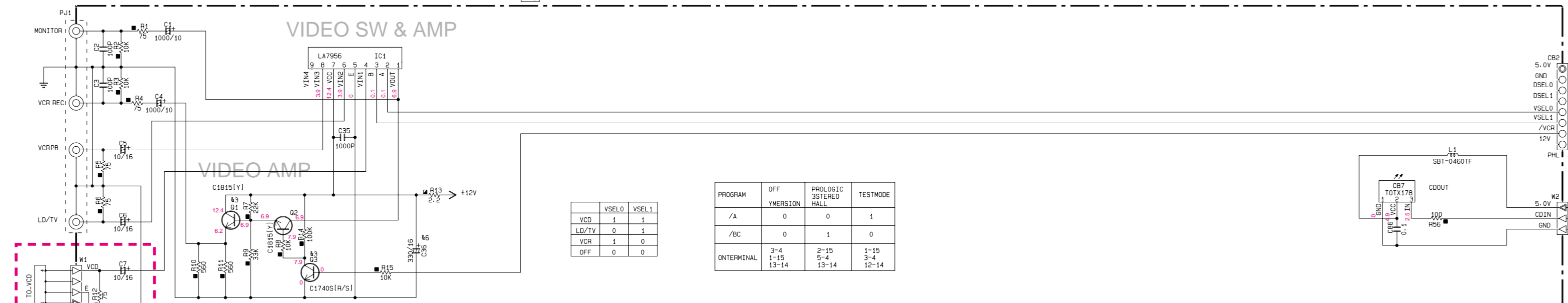
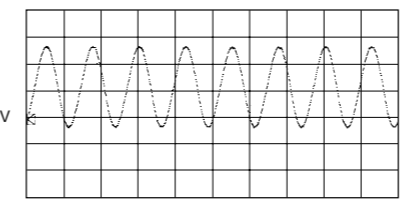
REMARKS	PARTS NAME	REMARKS	PARTS NAME
NO MARK	CARBON FILM RESISTOR [P=5]	NO MARK	CARBON FILM RESISTOR [P=10]
△	METAL OXIDE FILM RESISTOR	△	METAL FILM RESISTOR
□	METAL PLATE RESISTOR	□	FIRE PROOF CARBON FILM RESISTOR
⊗	CEMENT MOLDED RESISTOR	⊗	SEMI VARIABLE RESISTOR
■	CHIP RESISTOR		

REMARKS	PARTS NAME	REMARKS	PARTS NAME
NO MARK	ELECTROLYTIC CAPACITOR	⊗	TANTALUM CAPACITOR
NO MARK	CERAMIC CAPACITOR	⊙	CERAMIC TUBULAR CAPACITOR
⊙	POLYESTER FILM CAPACITOR	○	POLYSTYRENE FILM CAPACITOR
⊖	MICA CAPACITOR	⊕	POLYPROPYLENE FILM CAPACITOR
⊗	SEMICONDUCTIVE CERAMIC CAPACITOR	⊙	POLYPHENYLENE SULFIDE FILM CAPACITOR

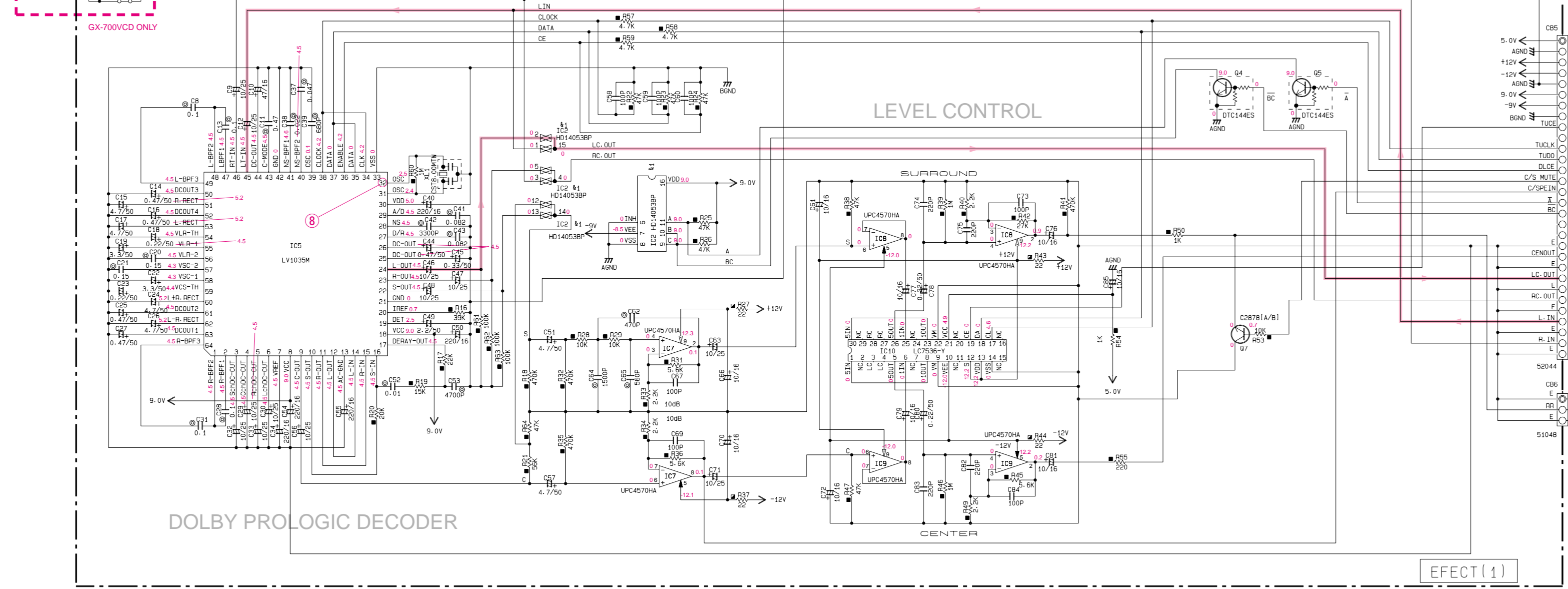
Mark	Reference Parts Number	Parts Name
k1	IC2	HD14053BP UP04053BC
k2	RY1	OSA-SS-224DM3 062402-051M1 AL42F24
k3	Q3	2SC1740S(R/S) 2SC2603(E/F) 2SC3311A(G/R/S)
k4		



Point ⑧ (Pin32 of IC5)  
V : 2V/div H : 0.1 μsec/div  
DC range 1 : 1 probe

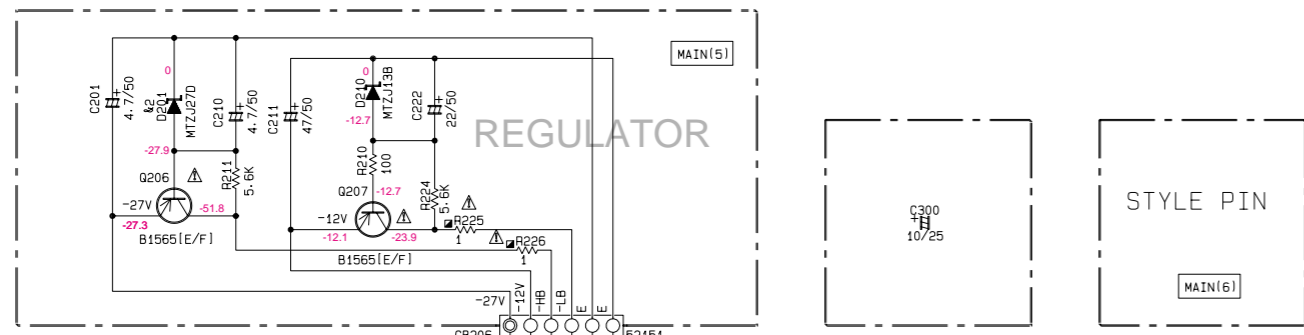


PROGRAM	OFF	YMERSON	PROLOGIC STEREO HALL	TESTMODE
/A	0	0	1	1
/BC	0	0	1	0
ONTERMINAL	3-4 1-15 13-14	2-15 5-4 13-14	1-15 3-4 12-14	



\* All voltage are measured with a 10MΩ/V DC electric volt meter.  
\* Components having special characteristics are marked △ and must be replaced with parts having specifications equal to those originally installed.  
\* Schematic diagram is subject to change without notice.

■ SCHEMATIC DIAGRAM (GX-707/GX-707VCD MAIN)



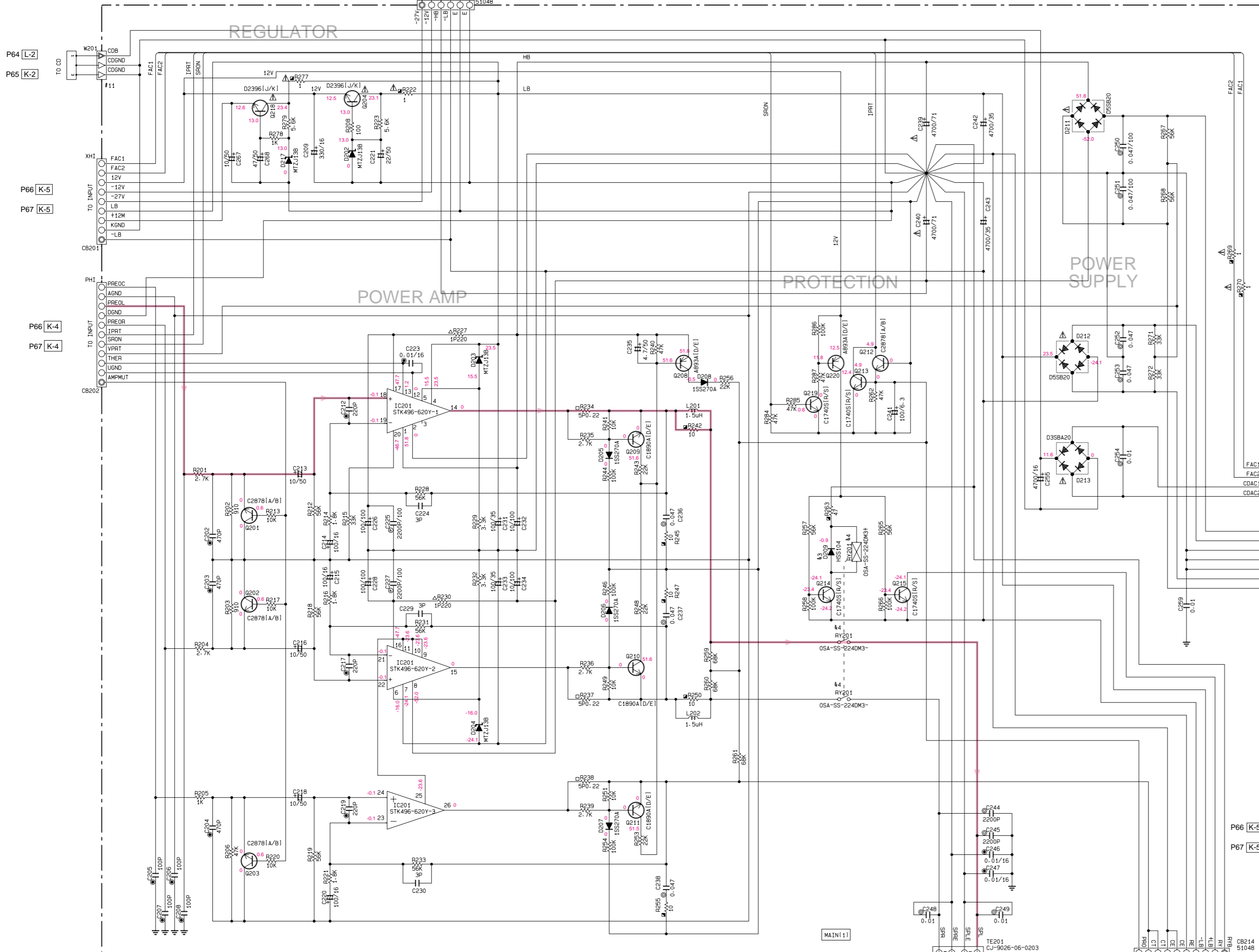
REMARKS	PARTS NAME
NO MARK	CARBON FILM RESISTOR (P=5)
△	CARBON FILM RESISTOR (P=10)
▲	METAL OXIDE FILM RESISTOR
▴	METAL FILM RESISTOR
⊠	POLYESTER FILM RESISTOR
⊡	FIRE PROOF CARBON FILM RESISTOR
⊞	CEMENT MOLDED RESISTOR
⊚	SEMI VARIABLE RESISTOR
⊛	CHIP RESISTOR

REMARKS	PARTS NAME
NO MARK	ELECTROLYTIC CAPACITOR
⊗	TANTALUM CAPACITOR
NO MARK	CERAMIC CAPACITOR
⊙	CERAMIC TUBULAR CAPACITOR
○	POLYSTYRENE FILM CAPACITOR
⊕	MICA CAPACITOR
⊖	POLYPROPYLENE FILM CAPACITOR
⊙	SEMICONDUCTIVE CERAMIC CAPACITOR

Interchangeable Parts at Manufacture-Stage

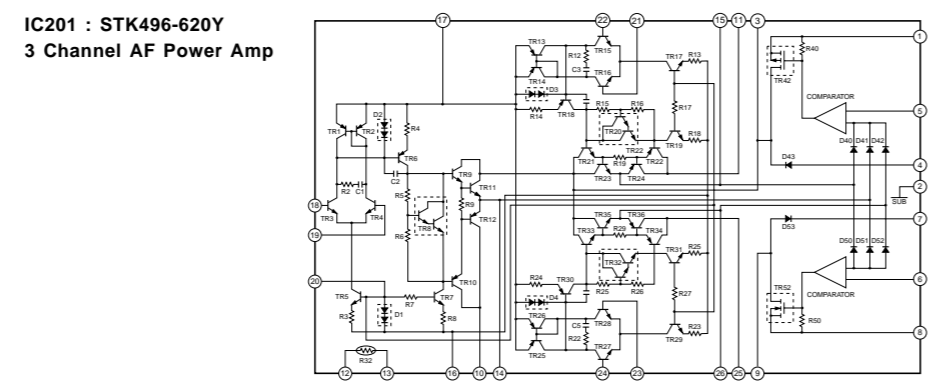
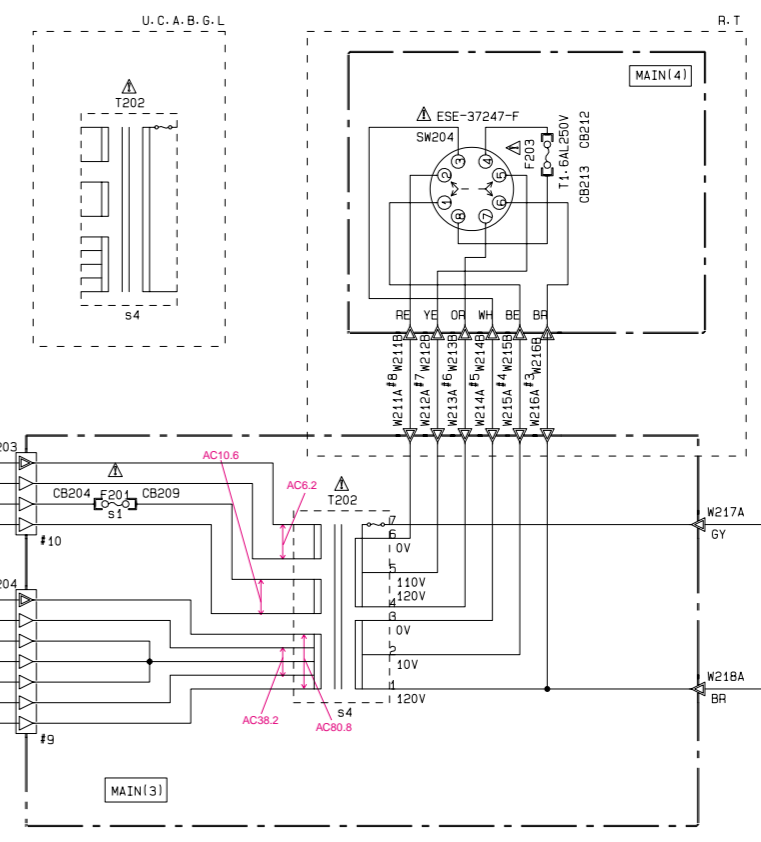
Mark	Reference Parts Number	Parts Name
k1		
k2	D201	MTZJ27D H2S272
k3	D209,D214	H5S104 1S8133 1S5176
k4	RY201	OSA-SS-224DM3 D624D2-051M1 AL42F24
k5	RY203	S07-S-112LMR D61201-01M111 ALKS321

NOTICE (model)  
 (J)..... JAPANESE  
 (U)..... U. S. A  
 (C)..... CANADIAN  
 (R)..... GENERAL  
 (A)..... AUSTRALIAN  
 (B)..... BRITISH  
 (G)..... EUROPEAN  
 (T)..... CHINA  
 (L)..... SINGAPORE



CIRCUIT CHANGES BY MARKET. O:USED X:NOT USED

S	F201	U.C	R.T	A	B.G	L
1	F201	2A125V V582250	T2AL250V KB00075	T2AL250V KB00075	T2AL250V KB00075	T2AL250V KB00075
2	F202	4A125V V582290	T4AL250V KB00079	T1.6AL250V KB00166	T1.6AL250V KB00166	T1.6AL250V KB00166
3	J201	0	X	0	0	0
4	T202	XW019	XW020	XW021	XW022	XW022
5	T203	XV443	XV444	XV445	XV445	XV445
6	R276	1/2P2.2M H200511	X	X	X	X
7						



\* All voltage are measured with a 10MΩ/V DC electric volt meter.  
 \* Components having special characteristics are marked △ and must be replaced with parts having specifications equal to those originally installed.  
 \* Schematic diagram is subject to change without notice.



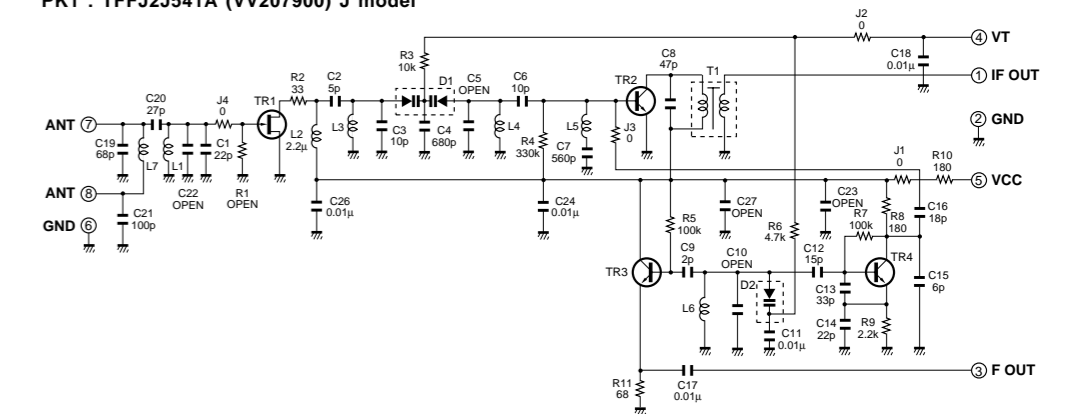
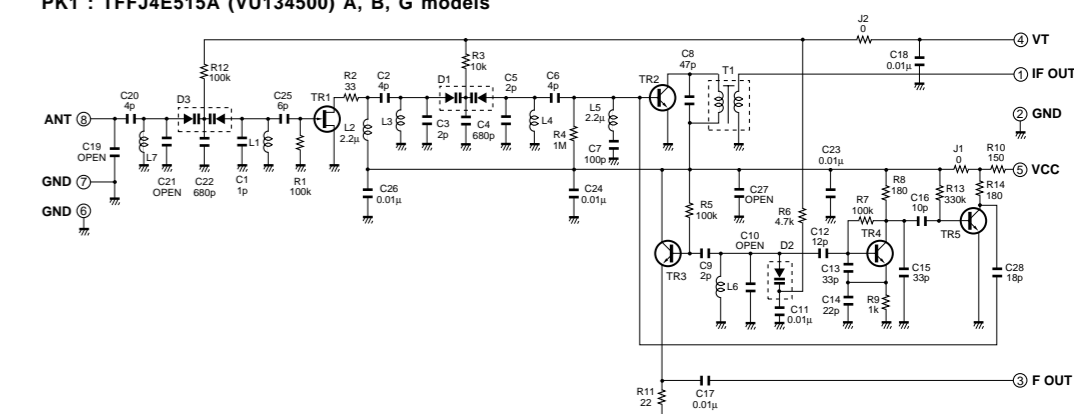
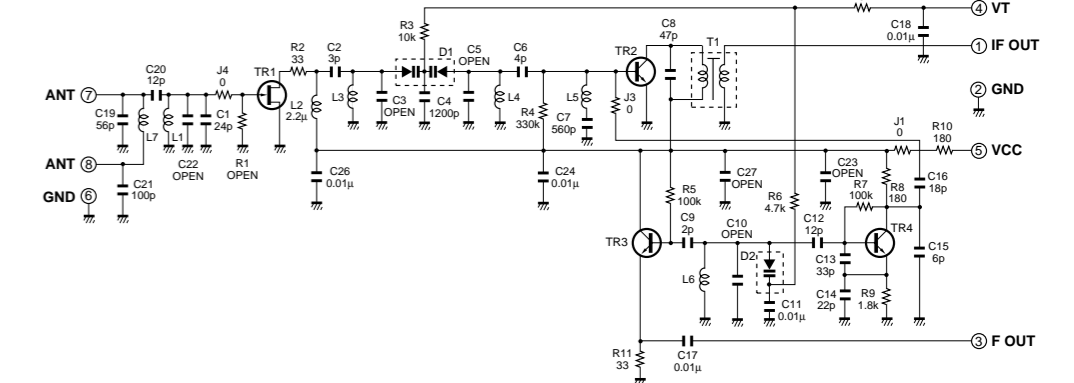
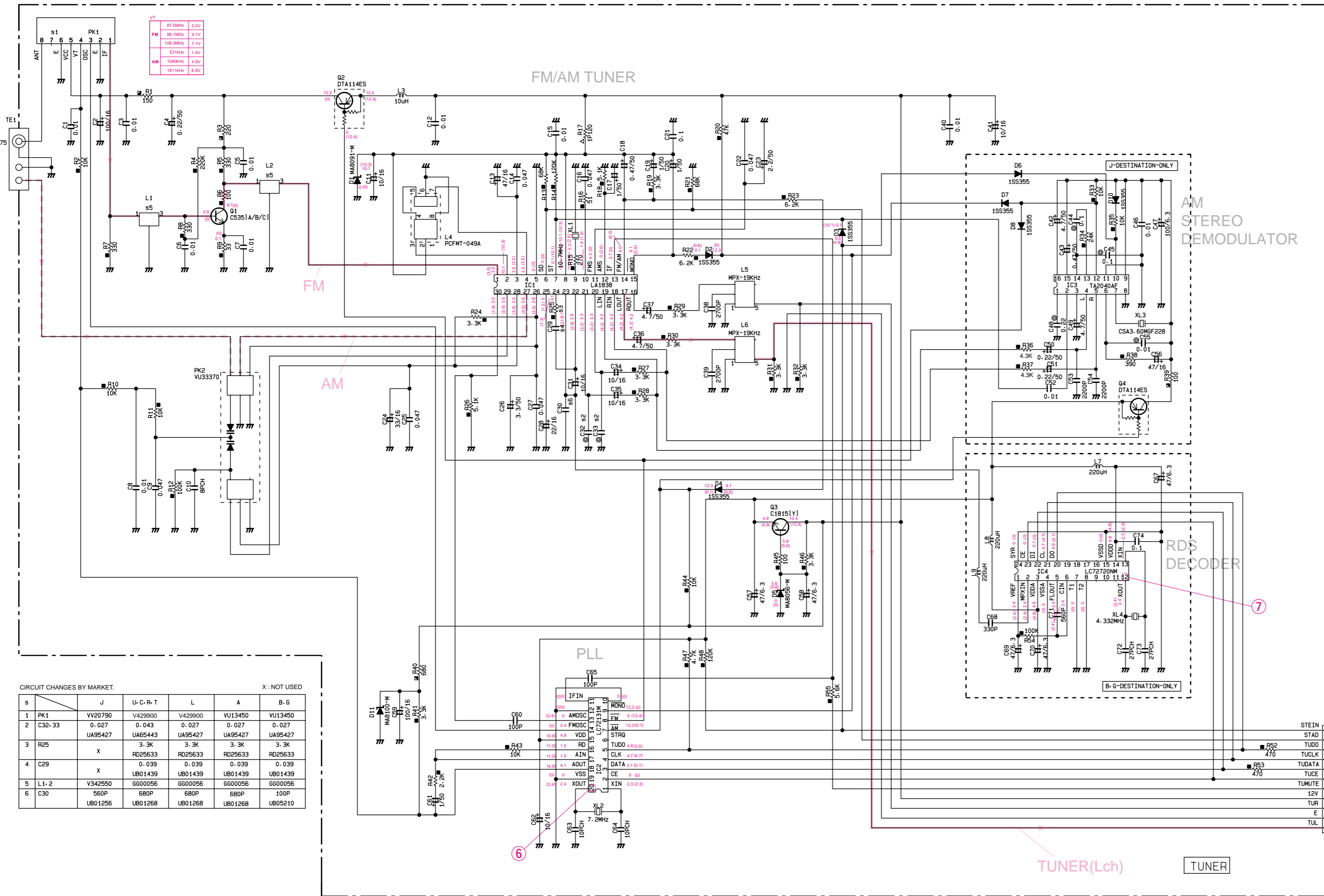
SCHEMATIC DIAGRAM (GX-707/GX-707VCD TUNER)

Each voltage represents the voltage when receiving FM (stereo) signal and the voltage in the parentheses ( ) is the voltage when receiving AM signal.

PK1 : TFFJ2U515A (V429900) U, C, R, T, L models

PK1 : TFFJ4E515A (VU134500) A, B, G models

PK1 : TFFJ2J541A (VV207900) J model



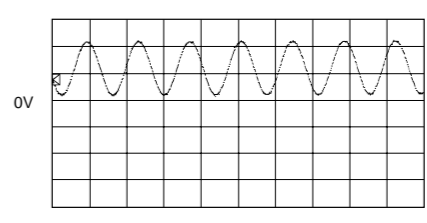
CIRCUIT CHANGES BY MARKET. Table with columns for market (S, PK1, C32-33, R25, C29, L1-2, C30) and models (J, U-C-R-T, L, A, B-G) with corresponding component values.

RESISTOR table with columns for Remarks, Parts Name, and values.

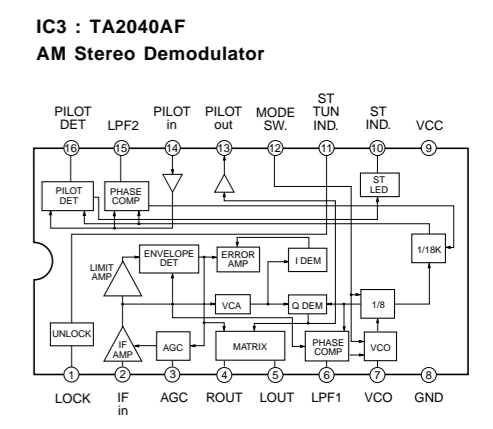
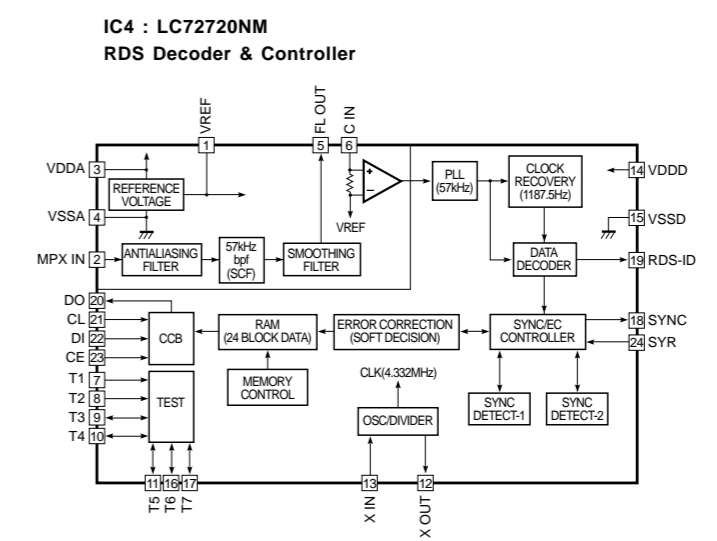
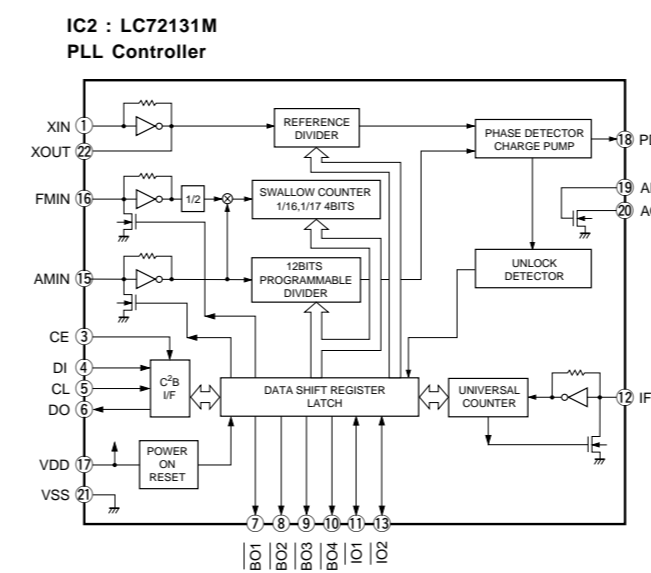
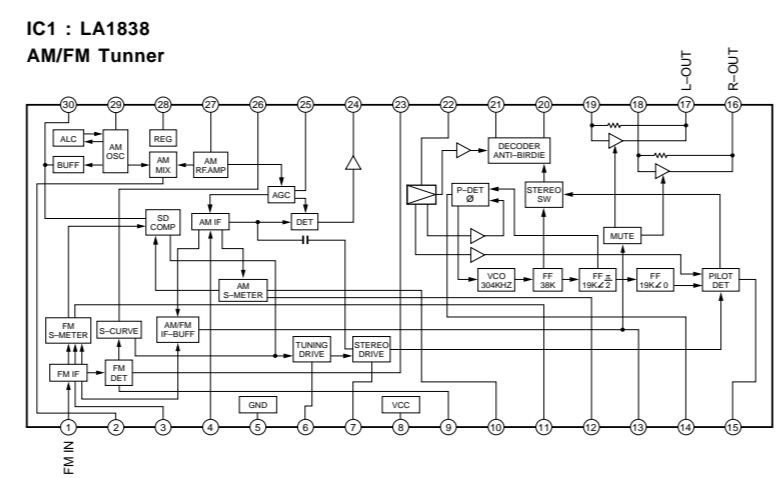
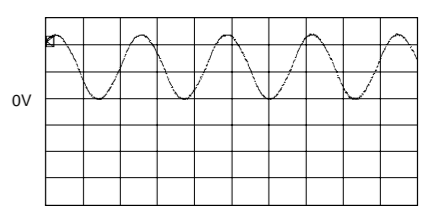
CAPACITOR table with columns for Remarks, Parts Name, and values.

NOTICE (model) (J)..... JAPANESE (U)..... U. S. A (C)..... CANADIAN (F)..... GENERAL (A)..... AUSTRALIAN (B)..... BRITISH (G)..... EUROPEAN (T)..... CHINA (L)..... SINGAPORE

Point ⑥ (Pin20 of IC2) V : 2V/div H : 0.1 μsec/div DC range 1 : 1 probe



Point ⑦ (Pin12 of IC4) V : 2V/div H : 0.1 μsec/div DC range 1 : 1 probe



\* All voltage are measured with a 10MΩ/V DC electric volt meter. \* Components having special characteristics are marked Δ and must be replaced with parts having specifications equal to those originally installed. \* Schematic diagram is subject to change without notice.

# PARTS LIST

## ■ ELECTRICAL PARTS

### ■ WARNING

Components having special characteristics are marked  $\triangle$  and must be replaced with parts having specifications equal to those originally installed.

- Carbon resistors (1/6W or 1/4W) are not included in the ELECTRICAL PARTS List. For the part Nos. of the carbon resistors refer to the last page.
- Chip resistors are listed on page 93.

### ABBREVIATIONS IN THIS LIST ARE AS FOLLOWS :

C.A.EL.CHP	: CHIP ALUMI. ELECTROLYTIC CAP	L.EMIT	: LIGHT EMITTING MODULE
C.CE	: CERAMIC CAP	LED.DSPLY	: LED DISPLAY
C.CE.ARRAY	: CERAMIC CAP ARRAY	LED.INFRD	: LED, INFRARED
C.CE.CHP	: CHIP CERAMIC CAP	MODUL.RF	: MODULATOR, RF
C.CE.ML	: MULTILAYER CERAMIC CAP	PHOT.CPL	: PHOTO COUPLER
C.CE.M.CHP	: CHIP MULTILAYER CERAMIC CAP	PHOT.INTR	: PHOTO INTERRUPTER
C.CE.SAFTY	: RECOGNIZED CERAMIC CAP	PHOT.RFLCT	: PHOTO REFLECTOR
C.CE.TUBLR	: CERAMIC TUBULAR CAP	PIN.TEST	: PIN, TEST POINT
C.CE.SMI	: SEMI CONDUCTIVE CERAMIC CAP	PLST.RIVET	: PLASTIC RIVET
C.EL	: ELECTROLYTIC CAP	R.ARRAY	: RESISTOR ARRAY
C.MICA	: MICA CAP	R.CAR	: CARBON RESISTOR
C.ML.FLM	: MULTILAYER FILM CAP	R.CAR.CHP	: CHIP RESISTOR
C.MP	: METALLIZED PAPER CAP	R.CAR.FP	: FLAME PROOF CARBON RESISTOR
C.MYLAR	: MYLAR FILM CAP	R.FUS	: FUSABLE RESISTOR
C.MYLAR.ML	: MULTILAYER MYLAR FILM CAP	R.MTL.CHP	: CHIP METAL FILM RESISTOR
C.PAPER	: PAPER CAPACITOR	R.MTL.FLM	: METAL FILM RESISTOR
C.PLS	: POLYSTYRENE FILM CAP	R.MTL.OXD	: METAL OXIDE FILM RESISTOR
C.POL	: POLYESTER FILM CAP	R.MTL.PLAT	: METAL PLATE RESISTOR
C.POLY	: POLYETHYLENE FILM CAP	RSNR.CE	: CERAMIC RESONATOR
C.PP	: POLYPROPYLENE FILM CAP	RSNR.CRYS	: CRYSTAL RESONATOR
C.TNTL	: TANTALUM CAP	R.TW.CEM	: TWIN CEMENT FIXED RESISTOR
C.TNTL.CHP	: CHIP TANTALUM CAP	R.WW	: WIRE WOUND RESISTOR
C.TRIM	: TRIMMER CAP	SCR.BND.HD	: BIND HEAD B-TITE SCREW
CN	: CONNECTOR	SCR.BW.HD	: BW HEAD TAPPING SCREW
CN.BS.PIN	: CONNECTOR, BASE PIN	SCR.CUP	: CUP TITE SCREW
CN.CANNON	: CONNECTOR, CANNON	SCR.TERM	: SCREW TERMINAL
CN.DIN	: CONNECTOR, DIN	SCR.TR	: SCREW, TRANSISTOR
CN.FLAT	: CONNECTOR, FLAT CABLE	SUPRT.PCB	: SUPPORT, P.C.B.
CN.POST	: CONNECTOR, BASE POST	SURG.PRTCT	: SURGE PROTECTOR
COIL.MX.AM	: COIL, AM MIX	SW.TACT	: TACT SWITCH
COIL.AT.FM	: COIL, FM ANTENNA	SW.LEAF	: LEAF SWITCH
COIL.DT.FM	: COIL, FM DETECT	SW.LEVER	: LEVER SWITCH
COIL.MX.FM	: COIL, FM MIX	SW.MICRO	: MICRO SWITCH
COIL.OUTPT	: OUTPUT COIL	SW.PUSH	: PUSH SWITCH
DIOD.ARRAY	: DIODE ARRAY	SW.RT.ENC	: ROTARY ENCODER
DIODE.BRG	: DIODE BRIDGE	SW.RT.MTR	: ROTARY SWITCH WITH MOTOR
DIODE.CHP	: CHIP DIODE	SW.RT	: ROTARY SWITCH
DIODE.VAR	: VARACTOR DIODE	SW.SLIDE	: SLIDE SWITCH
DIOD.Z.CHP	: CHIP ZENER DIODE	TERM.SP	: SPEAKER TERMINAL
DIODE.ZENR	: ZENER DIODE	TERM.WRAP	: WRAPPING TERMINAL
DSCR.CE	: CERAMIC DISCRIMINATOR	THRMST.CHP	: CHIP THERMISTOR
FER.BEAD	: FERRITE BEADS	TR.CHP	: CHIP TRANSISTOR
FER.CORE	: FERRITE CORE	TR.DGT	: DIGITAL TRANSISTOR
FET.CHP	: CHIP FET	TR.DGT.CHP	: CHIP DIGITAL TRANSISTOR
FL.DSPLY	: FLUORESCENT DISPLAY	TRANS	: TRANSFORMER
FLTR.CE	: CERAMIC FILTER	TRANS.PULS	: PULSE TRANSFORMER
FLTR.COMB	: COMB FILTER MODULE	TRANS.PWR	: POWER TRANSFORMER ASS'y
FLTR.LC.RF	: LC FILTER, EMI	TUNER.AM	: TUNER PACK, AM
GND.MTL	: GROUND PLATE	TUNER.FM	: TUNER PACK, FM
GND.TERM	: GROUND TERMINAL	TUNER.PK	: FRONT-END TUNER PACK
HOLDER.FUS	: FUSE HOLDER	VR	: ROTARY POTENTIOMETER
IC.PRTCT	: IC PROTECTOR	VR.MTR	: POTENTIOMETER WITH MOTOR
JUMPER.CN	: JUMPER CONNECTOR	VR.SW	: POTENTIOMETER WITH ROTARY SW
JUMPER.TST	: JUMPER, TEST POINT	VR.SLIDE	: SLIDE POTENTIOMETER
L.DTCT	: LIGHT DETECTING MODULE	VR.TRIM	: TRIMMER POTENTIOMETER

**Note)** Those parts marked with “#” are not included in the P.C.B. ass'y.



**GX-707 P.C.B. INPUT**

GX-707VCD

Schm Ref.	PART NO.	Description		
*	V5500700	P.C.B.	INPUT(UC)	
*	V5500800	P.C.B.	INPUT(R)	
*	V5500900	P.C.B.	INPUT(A)	
*	V5501000	P.C.B.	INPUT(BG)	
CB5	VQ963200	CN.BS.PIN	11P	
CB6	VM859600	CN.BS.PIN	15P	
CB9	VP327200	CN.FFC	30P	
CB10	VQ047500	CN.BS.PIN	20P	
CB13	VP082900	CN.BS.PIN	25P	
C1	UB044100	C.CE.M.CHP	0.01uF	50V
C2	UB044220	C.CE.M.CHP	0.022uF	50V
C3	UR818100	C.EL	100uF	6.3V
C4	UA952680	C.MYLAR	680pF	50V
C5	UB012560	C.CE.M.CHP	560pF	50V
C6	UB012560	C.CE.M.CHP	560pF	50V
C7	UB012220	C.CE.M.CHP	220pF	50V
C8	UB012220	C.CE.M.CHP	220pF	50V
C9	UB012560	C.CE.M.CHP	560pF	50V
C10	UB012560	C.CE.M.CHP	560pF	50V
C11	UB012560	C.CE.M.CHP	560pF	50V
C12	UB012560	C.CE.M.CHP	560pF	50V
C13	UB012220	C.CE.M.CHP	220pF	50V
C14	UB012220	C.CE.M.CHP	220pF	50V
C15	UR838100	C.EL	100uF	16V
C16	UB044100	C.CE.M.CHP	0.01uF	50V
C17	UA952680	C.MYLAR	680pF	50V
C18	UR837470	C.EL	47uF	16V
C19	UB044470	C.CE.M.CHP	0.047uF	50V
C20	UB044100	C.CE.M.CHP	0.01uF	50V
C21	UR866100	C.EL	1uF	50V
C22	UR838100	C.EL	100uF	16V
C23	UR838100	C.EL	100uF	16V
C24	UR865100	C.EL	0.1uF	50V
C25	UT652100	C.PP	100pF	100V
C26	UT652100	C.PP	100pF	100V
C27	UA953100	C.MYLAR	1000pF	50V
C28	UT653820	C.PP	8200pF	100V
C29	UA953470	C.MYLAR	4700pF	50V
C30	UR837100	C.EL	10uF	16V
C31	UR847100	C.EL	10uF	25V
C32	UR837220	C.EL	22uF	25V
C33	UR866470	C.EL	4.7uF	50V
C34	UR837220	C.EL	22uF	25V
C35	UR837220	C.EL	22uF	25V
C36	UR866330	C.EL	3.3uF	50V
C37	UA954180	C.MYLAR	0.018uF	50V
C38	FG612220	C.CE	220pF	50V
C39	FG612220	C.CE	220pF	50V
C40	UA954180	C.MYLAR	0.018uF	50V
C41	UR866100	C.EL	1uF	50V
C42	UR837470	C.EL	47uF	16V
C43	UR866470	C.EL	4.7uF	50V
C44	UR866470	C.EL	4.7uF	50V

\* New Parts

Schm Ref.	PART NO.	Description		
C45	UA655100	C.MYLAR	0.1uF	50V
C46	UR865470	C.EL	0.47uF	50V
C47	UR866470	C.EL	4.7uF	50V
C48	UR866220	C.EL	2.2uF	50V
C49	UR866220	C.EL	2.2uF	50V
C50	UR866470	C.EL	4.7uF	50V
C51	UR866470	C.EL	4.7uF	50V
C52	UR866470	C.EL	4.7uF	50V
C53	UR866220	C.EL	2.2uF	50V
C54	UA953270	C.MYLAR	2700pF	50V
C55	UR866470	C.EL	4.7uF	50V
C56	UR865220	C.EL	0.22uF	50V
C57	UB044100	C.CE.M.CHP	0.01uF	50V
C58	UR847100	C.EL	10uF	25V
C59	UB052100	C.CE.M.CHP	100pF	50V
C60	UB052100	C.CE.M.CHP	100pF	50V
C61	UA953270	C.MYLAR	2700pF	50V
C62	UR866470	C.EL	4.7uF	50V
C63	UR866470	C.EL	4.7uF	50V
C64	UA655100	C.MYLAR	0.1uF	50V
C65	UR866220	C.EL	2.2uF	50V
C66	UR866220	C.EL	2.2uF	50V
C67	UR866220	C.EL	2.2uF	50V
C68	UR865220	C.EL	0.22uF	50V
C69	UR848100	C.EL	100uF	25V
C70	UR866100	C.EL	1uF	50V
C71	UR837220	C.EL	22uF	25V
C72	UR837100	C.EL	10uF	16V
C73	UR847100	C.EL	10uF	25V
C74	UR847100	C.EL	10uF	25V
C75	UR837220	C.EL	22uF	25V
C76	UR866100	C.EL	1uF	50V
C77	UA655680	C.MYLAR	0.68uF	50V
C78	UA953680	C.MYLAR	6800pF	50V
C79	UA954220	C.MYLAR	0.022uF	50V
C80	UB013220	C.CE.M.CHP	2200pF	50V
C81	UR866100	C.EL	1uF	50V
C82	UA654750	C.MYLAR	0.075uF	50V
C83	UA953220	C.MYLAR	2200pF	50V
C84	UA954680	C.MYLAR	0.068uF	50V
C85	UR847100	C.EL	10uF	25V
C86	UR866100	C.EL	1uF	50V
C87	UR847100	C.EL	10uF	25V
C88	UA953220	C.MYLAR	2200pF	50V
C89	UA654750	C.MYLAR	0.075uF	50V
C90	UA954680	C.MYLAR	0.068uF	50V
C91	UR847100	C.EL	10uF	25V
C92	UB013220	C.CE.M.CHP	2200pF	50V
C93	UR866100	C.EL	1uF	50V
C94	UR847100	C.EL	10uF	25V
C95	UA954220	C.MYLAR	0.022uF	50V
C96	UA655680	C.MYLAR	0.68uF	50V
C97	UA953680	C.MYLAR	6800pF	50V

\* New Parts

## GX-707 P.C.B. INPUT

Schm Ref.	PART NO.	Description		
C98	UR866100	C.EL	1uF	50V
C99	UB052100	C.CE.M.CHP	100pF	50V
C100	UR837100	C.EL	10uF	16V
C101	UB052100	C.CE.M.CHP	100pF	50V
C102	UR837100	C.EL	10uF	16V
C103	VF992600	C.EL	4700uF	5.5V
C104	UB044100	C.CE.M.CHP	0.01uF	50V
C105	UB052100	C.CE.M.CHP	100pF	50V
C106	UB052100	C.CE.M.CHP	100pF	50V
C107	UB245100	C.CE.M.CHP	0.1uF	25V
C108	UB052100	C.CE.M.CHP	100pF	50V
C109	UR866220	C.EL	2.2uF	50V
C110	UB052100	C.CE.M.CHP	100pF	50V
C111	UB052100	C.CE.M.CHP	100pF	50V
C112	UB052100	C.CE.M.CHP	100pF	50V
C113	UB052100	C.CE.M.CHP	100pF	50V
C114	UA654750	C.MYLAR	0.075uF	50V
C115	UR847100	C.EL	10uF	25V
C116	UR866100	C.EL	1uF	50V
C117	UR847100	C.EL	10uF	25V
C118	UR847100	C.EL	10uF	25V
C119	UR866100	C.EL	1uF	50V
C120	UR847100	C.EL	10uF	25V
C121	UA654750	C.MYLAR	0.075uF	50V
C122	UB245100	C.CE.M.CHP	0.1uF	25V
C123	UB245100	C.CE.M.CHP	0.1uF	25V
C124	VJ900300	C.CE.M.CHP	22pF	50V
C125	VJ900300	C.CE.M.CHP	22pF	50V
C126	UB245100	C.CE.M.CHP	0.1uF	25V
C127	UR837100	C.EL	10uF	16V
C128	UR837100	C.EL	10uF	16V
C129	UR837100	C.EL	10uF	16V
C130	UR837100	C.EL	10uF	16V
C131	UR866100	C.EL	1uF	50V
C132	UB051470	C.CE.M.CHP	47pF	50V
C133	UB051470	C.CE.M.CHP	47pF	50V
C134	UN865470	C.EL	0.47uF	50V
C135	UR838100	C.EL	100uF	16V
C136	UR838100	C.EL	100uF	16V
C137	UB051470	C.CE.M.CHP	47pF	50V
C138	UB051470	C.CE.M.CHP	47pF	50V
C139	UR866100	C.EL	1uF	50V
C140	UB245100	C.CE.M.CHP	0.1uF	25V
C141	UB245100	C.CE.M.CHP	0.1uF	25V
C142	UR837100	C.EL	10uF	16V
C143	UR865470	C.EL	0.47uF	50V
C144	UR837100	C.EL	10uF	16V
C145	UR837100	C.EL	10uF	16V
C146	UR837100	C.EL	10uF	16V
C147	UR837220	C.EL	22uF	25V
C148	UB051470	C.CE.M.CHP	47pF	50V
C149	UB051470	C.CE.M.CHP	47pF	50V
C150	UR837220	C.EL	22uF	25V

\* New Parts

Schm Ref.	PART NO.	Description		
C151	UR837100	C.EL	10uF	16V
C152	UR837100	C.EL	10uF	16V
C153	UR837100	C.EL	10uF	16V
C154	UR838330	C.EL	330uF	16V
C155	UB012330	C.CE.M.CHP	330pF	50V
C156	UB012330	C.CE.M.CHP	330pF	50V
C157	UR837100	C.EL	10uF	16V
C158	UR837100	C.EL	10uF	16V
C159	UN866100	C.EL	1uF	50V
C160	UB052100	C.CE.M.CHP	100pF	50V
C165	VF467300	C.CE.TUBLR	0.01uF	16V(BG)
D3	VU992700	DIODE.ZENR	MA8051-H	5.3V
D4	VT332900	DIODE	1SS355	
D5	VT332900	DIODE	1SS355	
D6	VU992900	DIODE.ZENR	MA8056-L	5.4V
D7	VU995100	DIODE.ZENR	MA8091-H	9.4V
D8	VT332900	DIODE	1SS355	
D10	VT332900	DIODE	1SS355	
D11	VV833200	DIODE	1SS380	
D12	VT332900	DIODE	1SS355	
D20	VU995300	DIODE.ZENR	MA8100-L	9.7V
D21	VT332900	DIODE	1SS355	
D22	VU992300	DIODE.ZENR	MA8047-H	4.9V
D23	VU993000	DIODE.ZENR	MA8056-M	5.6V
D24	VU993400	DIODE.ZENR	MA8062-M	6.2V
D25	VU995300	DIODE.ZENR	MA8100-L	9.7V
D26	VV220700	DIODE.SHOT	RB501V-40	
HS1	VN126800	HEAT.SINK	U0T-16C25-MP	
IC1	XF494A00	IC	LB1641	
IC2	XD864A00	IC	uPC1330HA	
IC3	XG903A00	IC	TC4052BF MPX	
IC4	XG903A00	IC	TC4052BF MPX	
IC5	XF293A00	IC	uPD4066G-T1	
IC6	XV473A00	IC	CXA1897Q	
IC7	XV474A00	IC	LC75393E	
IC8	XY614A00	IC.CPU	M38199MF-235FP CPU	
IC9	XF291A00	IC	uPC4570G2	
IC10	XG938A00	IC	BA15218N	
IC11	XF291A00	IC	uPC4570G2	
IC21	XF291A00	IC	uPC4570G2	
IC26	XR275A00	IC	BA3835S	
L1	VM547800	COIL.BIAS	105KHz	
L2	GE900780	COIL.BIAS	105KHz	
L3	GE900780	COIL.BIAS	105KHz	
PJ1	VV306900	JACK.PIN	4P	
PJ2	VV307000	JACK.PIN	6P	
PJ4	VV306800	JACK.PIN	1P	
PN1	V3750200	PIN	L=70	
PN2	V3750200	PIN	L=70	
PN3	V3750200	PIN	L=70	
Q1	VV655700	TR.DGT	DTC144EKA	
Q2	VE613300	TR	2SB1237 Q,R	
Q3	iC174020	TR	2SC1740S R,S	

\* New Parts

**GX-707 P.C.B. INPUT & MAIN**

GX-707VCD

Schm Ref.	PART NO.	Description
Q4	VE613300	TR 2SB1237 Q,R
Q5	VV655300	TR.DGT DTA144EKA
Q6	VV655300	TR.DGT DTA144EKA
Q7	VV655700	TR.DGT DTC144EKA
Q8	V3752400	TR.DGT DTC143TKA
Q9	VV655500	TR.DGT DTC124EKA
Q10	VV655500	TR.DGT DTC124EKA
Q11	iC174020	TR 2SC1740S R,S
Q12	iC174020	TR 2SC1740S R,S
Q13	iC174020	TR 2SC1740S R,S
Q14	VV655500	TR.DGT DTC124EKA
Q15	VV655700	TR.DGT DTC144EKA
Q16	VV655500	TR.DGT DTC124EKA
Q17	VE613400	TR 2SD1858 Q,R
Q18	VV655400	TR.DGT DTC114EKA
Q19	V3033500	TR.DGT DTC143XKA
Q20	VV655300	TR.DGT DTA144EKA
Q21	VZ725900	TR 2SD1938F S,T
Q22	VV655000	TR.DGT DTA114EKA
Q23	VZ725900	TR 2SD1938F S,T
Q24	VZ725900	TR 2SD1938F S,T
△ Q25	VK407600	TR 2SC4208A Q,R,S
△ Q26	VS883400	TR 2SD2394 E,F
△ Q27	VK407600	TR 2SC4208A Q,R,S
Q28	iA093320	TR 2SA933S Q,R
Q29	VV655700	TR.DGT DTC144EKA
Q30	VV655700	TR.DGT DTC144EKA
Q31	VV655700	TR.DGT DTC144EKA
Q32	VV655700	TR.DGT DTC144EKA
△ Q33	VK407600	TR 2SC4208A Q,R,S
Q34	VV655500	TR.DGT DTC124EKA
Q35	VV655500	TR.DGT DTC124EKA
Q36	VV655500	TR.DGT DTC124EKA
R27	VP940100	R.MTL.OXD 33Ω 1W
R35	HV755150	R.CAR.FP 150Ω 1/4W
R59	HV754220	R.CAR.FP 22Ω 1/4W
R66	HV755560	R.CAR.FP 560Ω 1/4W
△ R95	HV753560	R.CAR.FP 5.6Ω 1/4W
△ R110	HV754680	R.CAR.FP 68Ω 1/4W
R155	HV754220	R.CAR.FP 22Ω 1/4W
R156	HV754220	R.CAR.FP 22Ω 1/4W
R251	HV754220	R.CAR.FP 22Ω 1/4W
R254	HV754220	R.CAR.FP 22Ω 1/4W
R258	HV754220	R.CAR.FP 22Ω 1/4W
R273	HV754220	R.CAR.FP 22Ω 1/4W
ST1	BB071360	SCR.TERM 8.3x13
SW2	VU755700	SW.SLIDE SS029-P012BEB(R)
VR1	VJ693600	VR.TRIM B10KΩ
VR2	VJ694300	VR.TRIM B150KΩ
VR3	VJ694300	VR.TRIM B150KΩ
VR4	VJ693600	VR.TRIM B10KΩ
VR5	VJ693800	VR.TRIM B22KΩ
VR6	VJ693800	VR.TRIM B22KΩ

\* New Parts

Schm Ref.	PART NO.	Description
VR7	VJ692900	VR.TRIM B680Ω
XL1	VJ802400	RSNR.CE 8MHz
XL2	VQ328900	RSNR.CRYST 32.768KHz
	V4001300	P.C.B. MAIN(UC)
	V4001400	P.C.B. MAIN(R)
	V4001500	P.C.B. MAIN(ABG)
CB201	VL845300	CN.BS.PIN 9P
CB202	VB390700	CN.BS.PIN 11P
CB203	VL844800	CN.BS.PIN 4P
CB204	VP206500	HOLDER.FUS EYF-52BCT
CB205	VL845100	CN.BS.PIN 7P
CB206	VK026500	CN.BS.PIN 6P
CB207	Vi878400	CN.BS.PIN 6P
CB208	VB390300	CN.BS.PIN 7P
CB209	VP206500	HOLDER.FUS EYF-52BCT
CB210	VB389800	CN.BS.PIN 2P
CB212	VP206500	HOLDER.FUS EYF-52BCT(R)
CB213	VP206500	HOLDER.FUS EYF-52BCT(R)
CB214	Vi878800	CN.BS.PIN 10P
CB215	VG879900	CN.BS.PIN 2P
CB216	VP206500	HOLDER.FUS EYF-52BCT
CB217	VP206500	HOLDER.FUS EYF-52BCT
C201	UR866470	C.EL 4.7uF 50V
C202	VF466900	C.CE.TUBLR 470pF 50V
C203	VF466900	C.CE.TUBLR 470pF 50V
C204	VF466900	C.CE.TUBLR 470pF 50V
C205	VF466800	C.CE.TUBLR 100pF 50V
C206	VF466800	C.CE.TUBLR 100pF 50V
C207	VF466800	C.CE.TUBLR 100pF 50V
C208	VF466800	C.CE.TUBLR 100pF 50V
C209	UR838330	C.EL 330uF 16V
C210	UR866470	C.EL 4.7uF 50V
C211	UR867470	C.EL 47uF 50V
C212	VG278400	C.CE.TUBLR 220pF 50V
C213	UR867100	C.EL 10uF 50V
C214	UR838100	C.EL 100uF 16V
C215	UR838100	C.EL 100uF 16V
C216	UR867100	C.EL 10uF 50V
C217	VG278400	C.CE.TUBLR 220pF 50V
C218	UR867100	C.EL 10uF 50V
C219	VG278400	C.CE.TUBLR 220pF 50V
C220	UR838100	C.EL 100uF 16V
C221	UR867220	C.EL 22uF 50V
C222	UR867220	C.EL 22uF 50V
C223	VF467300	C.CE.TUBLR 0.01uF 16V
C224	FG650300	C.CE 3pF 50V
C225	UT653220	C.PP 2200pF 100V
C226	UR798100	C.EL 100uF 100V
C227	UT653220	C.PP 2200pF 100V
C228	UR798100	C.EL 100uF 100V
C229	FG650300	C.CE 3pF 50V

\* New Parts

## GX-707 P.C.B. MAIN

Schm Ref.	PART NO.	Description		
C230	FG650300	C.CE	3pF	50V
C231	UR858100	C.EL	100uF	35V
C232	UR897100	C.EL	10uF	100V
C233	UR858100	C.EL	100uF	35V
C234	UR897100	C.EL	10uF	100V
C235	UR866470	C.EL	4.7uF	50V
C236	UA954470	C.MYLAR	0.047uF	50V
C237	UA954470	C.MYLAR	0.047uF	50V
C238	UA954470	C.MYLAR	0.047uF	50V
△ C239	V3671100	C.EL	4700uF	71V
△ C240	V3671100	C.EL	4700uF	71V
C241	UR818100	C.EL	100uF	6.3V
C242	V3671000	C.EL	4700uF	35V
C243	V3671000	C.EL	4700uF	35V
C244	UA953220	C.MYLAR	2200pF	50V
C245	UA953220	C.MYLAR	2200pF	50V
C246	VF467300	C.CE.TUBLR	0.01uF	16V
C247	VF467300	C.CE.TUBLR	0.01uF	16V
C248	UA954100	C.MYLAR	0.01uF	50V
C249	UA954100	C.MYLAR	0.01uF	50V
C250	VR324800	C.MYLAR	0.047uF	100V
C251	VR324800	C.MYLAR	0.047uF	100V
C252	UA954470	C.MYLAR	0.047uF	50V
C253	UA954470	C.MYLAR	0.047uF	50V
C254	UA954100	C.MYLAR	0.01uF	50V
C255	UR739470	C.EL	4700uF	16V
C259	FG644100	C.CE	0.01uF	50V
C260	FG613100	C.CE	1000pF	50V(R)
C261	UR848470	C.EL	470uF	25V
C262	UR768470	C.EL	470uF	50V(R)
C263	VJ599100	C.CE.TUBLR	0.1uF	50V
C264	UA954100	C.MYLAR	0.01uF	50V
C265	UA954100	C.MYLAR	0.01uF	50V
△ C266	VS741700	C.CE.SAFTY	0.01uF	275V
C267	UR867100	C.EL	10uF	50V
C268	UR867470	C.EL	47uF	50V
C271	UR867100	C.EL	10uF	50V
C300	UR847100	C.EL	10uF	25V
D201	VG443100	DIODE.ZENR	MTZJ27D	27V
D202	VG440500	DIODE.ZENR	MTZJ13B	13V
D203	VG440500	DIODE.ZENR	MTZJ13B	13V
D204	VG440500	DIODE.ZENR	MTZJ13B	13V
D205	VN008700	DIODE	1SS270A	
D206	VN008700	DIODE	1SS270A	
D207	VN008700	DIODE	1SS270A	
D208	VN008700	DIODE	1SS270A	
D209	VD631600	DIODE	1SS133,176	
D210	VG440500	DIODE.ZENR	MTZJ13B	13V
△ D211	VN011400	DIODE.BRG	D5SB20	5A 200V
△ D212	VN011400	DIODE.BRG	D5SB20	5A 200V
△ D213	VN011300	DIODE.BRG	D3SBA20	4A 200V
D214	VD631600	DIODE	1SS133,176	
△ D215	VR253700	DIODE.BRG	S1NB20	1.0A 200V

\* New Parts

Schm Ref.	PART NO.	Description		
D216	VG440500	DIODE.ZENR	MTZJ13B	13V(R)
D217	VG440500	DIODE.ZENR	MTZJ13B	13V
△ F201	KB000750	FUSE.MNI	T2.0A	250V(RABG)
△ F201	VS822500	FUSE	2.0A	125V(UC)
△ F202	KB000790	FUSE	T4.0A	250V(R)
△ F202	KB001660	FUSE	T1.6A	250V(ABG)
△ F202	VS822900	FUSE	T4.0A	125V(UC)
△ F203	KB001660	FUSE	T1.6A	250V(R)
G201	VR463400	TERM.GND	D3.5	TP00385
HS201	V2692300	HEAT.SINK	BPUE36-30	
HS202	VN126800	HEAT.SINK	U0T-16C25-MP(R)	
IC201	XW057A00	IC	STK496-620Y	80W 3C
L201	VU038100	COIL	1.5uH	
L202	VU038100	COIL	1.5uH	
Q201	iC287820	TR	2SC2878 A,B	
Q202	iC287820	TR	2SC2878 A,B	
Q203	iC287820	TR	2SC2878 A,B	
△ # Q204	VR510800	TR	2SD2396 J,K	
△ Q206	VS883300	TR	2SB1565 E,F	
△ Q207	VS883300	TR	2SB1565 E,F	
Q208	VP883000	TR	2SA893A D,E	
Q209	VP883100	TR	2SC1890A D,E	
Q210	VP883100	TR	2SC1890A D,E	
Q211	VP883100	TR	2SC1890A D,E	
Q212	iC287820	TR	2SC2878 A,B	
Q213	iC174020	TR	2SC1740S R,S	
Q214	iC174020	TR	2SC1740S R,S	
Q215	iC174020	TR	2SC1740S R,S	
Q216	iC174020	TR	2SC1740S R,S	
Q217	VR510800	TR	2SD2396 J,K(R)	
△ # Q218	VR510800	TR	2SD2396 J,K	
Q219	iC174020	TR	2SC1740S R,S	
Q220	VP883000	TR	2SA893A D,E	
Q221	iA093320	TR	2SA933S Q,R	
Q222	VR402300	TR	2SB647 C,D	
△ R222	HV753100	R.CAR.FP	1Ω	1/4W
△ R225	HV753100	R.CAR.FP	1Ω	1/4W
△ R226	HV753100	R.CAR.FP	1Ω	1/4W
R227	VP940400	R.MTL.OXD	100Ω	1W
R230	VP940400	R.MTL.OXD	100Ω	1W
R234	V3158200	R.MTL.PLAT	0.22Ω	
R237	V3158200	R.MTL.PLAT	0.22Ω	
R238	V3158200	R.MTL.PLAT	0.22Ω	
R242	HV754100	R.CAR.FP	10Ω	1/4W
R245	HV754100	R.CAR.FP	10Ω	1/4W
R247	HV754100	R.CAR.FP	10Ω	1/4W
R250	HV754100	R.CAR.FP	10Ω	1/4W
R255	HV754100	R.CAR.FP	10Ω	1/4W
R263	HV754470	R.CAR.FP	47Ω	1/4W
△ R269	HV753100	R.CAR.FP	1Ω	1/4W
△ R270	HV753100	R.CAR.FP	1Ω	1/4W
R274	HV756560	R.CAR.FP	5.6KΩ	1/4W(R)
R275	HV756560	R.CAR.FP	5.6KΩ	1/4W(R)

\* New Parts

GX-707 P.C.B. MAIN & CD

GX-707VCD

Schm Ref.	PART NO.	Description		
△ R277	HV753100	R.CAR.FP	1Ω	1/4W
R290	HV754220	R.CAR.FP	22Ω	1/4W
RY201	VU161600	RELAY	DC OSA-SS-224DM3	
△ RY203	V2712300	RELAY	DC SDT-S-112LMR	
△ SW204	VA961800	VOLT.SELCT	ESE-37247-F(R)	
△ T203	XV443A00	TRANS.PWR	(UC)	
△ T203	XV444A00	TRANS.PWR	(R)	
△ T203	XV445A00	TRANS.PWR	(ABG)	
△ TE201	V2996200	TERM.SP	4P	
	V3750100	PIN	L=50	
	BB071360	SCR.TERM	8.3x13	
	EP600140	SCR.BND.HD	3x10	MFZN2-BL
*	V5503100	P.C.B.	CD	
CB2	V2731000	CN.FMN	16P	
CB3	VB390200	CN.BS.PIN	6P	
CB4	VM923600	CN.BS.PIN	13P	
CB9	LB919030	CN.BS.PIN	3P	
CB10	VM929900	CN.BS.PIN	15P	
CB11	VB858200	CN.BS.PIN	3P	
C1	UN866100	C.EL	1uF	50V
C2	UR818100	C.EL	100uF	6.3V
C3	UN866100	C.EL	1uF	50V
C4	UR818100	C.EL	100uF	6.3V
C5	UR818470	C.EL	470uF	6.3V
C6	UB044100	C.CE.M.CHP	0.01uF	50V
C7	UB013100	C.CE.M.CHP	1000pF	50V
C8	UR837470	C.EL	47uF	16V
C10	UR837100	C.EL	10uF	16V
C11	VJ900300	C.CE.M.CHP	22pF	50V
C12	UR838220	C.EL	220uF	16V
C13	UR818100	C.EL	100uF	6.3V
C14	UB045100	C.CE.M.CHP	0.1uF	50V
C15	UB045100	C.CE.M.CHP	0.1uF	50V
C17	UB044100	C.CE.M.CHP	0.01uF	50V
C18	UR866100	C.EL	1uF	50V
C19	UA952100	C.MYLAR	100pF	50V
C20	UA655270	C.MYLAR	0.27uF	50V
C21	UR818100	C.EL	100uF	6.3V
C22	UA655100	C.MYLAR	0.1uF	50V
C23	UA953220	C.MYLAR	2200pF	50V
C24	UA655100	C.MYLAR	0.1uF	50V
C25	UA954470	C.MYLAR	0.047uF	50V
C26	UA953470	C.MYLAR	4700pF	50V
C27	UA953220	C.MYLAR	2200pF	50V
C28	UA953150	C.MYLAR	1500pF	50V
C29	UA953150	C.MYLAR	1500pF	50V
C30	UA655100	C.MYLAR	0.1uF	50V
* C31	UB052390	C.CE.M.CHP	390pF	50V
C32	UB045100	C.CE.M.CHP	0.1uF	50V
C33	UA954680	C.MYLAR	0.068uF	50V

\* New Parts

Schm Ref.	PART NO.	Description		
C34	VJ900300	C.CE.M.CHP	22pF	50V
C35	VR498100	C.EL	6.8uF	6.3V
C36	UA655100	C.MYLAR	0.1uF	50V
C37	UB044100	C.CE.M.CHP	0.01uF	50V
C38	UR818100	C.EL	100uF	6.3V
C39	VJ900300	C.CE.M.CHP	22pF	50V
C40	UB044100	C.CE.M.CHP	0.01uF	50V
C41	UR866100	C.EL	1uF	50V
C42	UR866100	C.EL	1uF	50V
C43	UR866100	C.EL	1uF	50V
C44	UR866100	C.EL	1uF	50V
C45	UB044100	C.CE.M.CHP	0.01uF	50V
C46	UR818470	C.EL	470uF	6.3V
C47	UB044100	C.CE.M.CHP	0.01uF	50V
C50	UB044100	C.CE.M.CHP	0.01uF	50V
C51	UR818100	C.EL	100uF	6.3V
C52	UB044100	C.CE.M.CHP	0.01uF	50V
C54	UB044100	C.CE.M.CHP	0.01uF	50V
C56	UR818100	C.EL	100uF	6.3V
C57	UA952560	C.MYLAR	560pF	50V
C58	UA952560	C.MYLAR	560pF	50V
C59	UB044100	C.CE.M.CHP	0.01uF	50V
C61	UB044100	C.CE.M.CHP	0.01uF	50V
C62	UA952100	C.MYLAR	100pF	50V
C63	UB012470	C.CE.M.CHP	470pF	50V
C64	UA952100	C.MYLAR	100pF	50V
C67	UB044100	C.CE.M.CHP	0.01uF	50V
C68	UR818100	C.EL	100uF	6.3V
C69	UR828100	C.EL	100uF	10V
C70	UA954120	C.MYLAR	0.012uF	50V
C71	UA953330	C.MYLAR	3300pF	50V
C72	UA953330	C.MYLAR	3300pF	50V
C73	UA954120	C.MYLAR	0.012uF	50V
C74	UR837100	C.EL	10uF	16V
C75	UR837220	C.EL	22uF	25V
C76	UR837220	C.EL	22uF	25V
C77	UR837220	C.EL	22uF	25V
C78	UR837220	C.EL	22uF	25V
C79	UA953150	C.MYLAR	1500pF	50V
C80	UA953150	C.MYLAR	1500pF	50V
C87	UB045100	C.CE.M.CHP	0.1uF	50V
C88	UB045100	C.CE.M.CHP	0.1uF	50V
C89	UB045100	C.CE.M.CHP	0.1uF	50V
C90	UA953100	C.MYLAR	1000pF	50V
C93	UA655100	C.MYLAR	0.1uF	50V
D1	VT332900	DIODE	1SS355	
D2	VU993400	DIODE.ZENR	MA8062-M	6.2V
D4	VT332900	DIODE	1SS355	
D5	VT332900	DIODE	1SS355	
D6	VT332900	DIODE	1SS355	
D7	VU993400	DIODE.ZENR	MA8062-M	6.2V
G1	VR463400	TERM.GND	D3.5	TP00385
HS2	VA119100	HEAT.SINK		

\* New Parts

## GX-707 P.C.B. CD &amp; OPERATION

Schm Ref.	PART NO.	Description	
HS3	Vi835500	HEAT.SINK	PH-0124S-B
IC1	XT526A00	IC	M56748FP CD-DRIVER
IC2	XR274A00	IC	TA8409SE
IC3	XR274A00	IC	TA8409SE
IC4	XS741A00	IC	AN8806SB
IC5	XW915A00	IC	MN35511AL
IC7	XQ667A00	IC	M5237L
IC8	XY613A00	IC.CPU	M38197MAA-631FP CP
IC9	XQ248A00	IC	TC74HC125AF BUS BU
IC10	XS993A00	IC	TC74HC04AF INV
IC13	XF291A00	IC	uPC4570G2
IC14	XF291A00	IC	uPC4570G2
L3	VD473700	COIL	60uH
L4	VD473700	COIL	60uH
PN1	V3750200	PIN	L=70
PN2	V3750200	PIN	L=70
PN4	V3750200	PIN	L=70
Q1	VD678700	TR.DGT	DTC114ES
Q2	VR402300	TR	2SB647 C,D
Q3	iC287820	TR	2SC2878 A,B
Q4	VD678700	TR.DGT	DTC114ES
Q5	VD678700	TR.DGT	DTC114ES
Q6	VD678700	TR.DGT	DTC114ES
Q7	VD678700	TR.DGT	DTC114ES
Q8	VS883300	TR	2SB1565 E,F
Q9	VR510800	TR	2SD2396 J,K
Q10	VD678700	TR.DGT	DTC114ES
Q11	iC287820	TR	2SC2878 A,B
Q12	iC287820	TR	2SC2878 A,B
Q13	VD678500	TR.DGT	DTA114ES
R16	HV753220	R.CAR.FP	2.2Ω 1/4W
R46	VH307000	R.ARRAY	RGLE6X473J
R66	VH307000	R.ARRAY	RGLE6X473J
R67	VH307000	R.ARRAY	RGLE6X473J
R96	VH307000	R.ARRAY	RGLE6X473J
R102	VH307000	R.ARRAY	RGLE6X473J
R107	V3733100	R.MTL.OXD	39Ω 1W
R108	V3733100	R.MTL.OXD	39Ω 1W
R112	VH307000	R.ARRAY	RGLE6X473J
R116	Vi868300	R.FUS	0.68Ω 1/6W
TP1	VL448600	JUMPER.TST	
TP2	VL448600	JUMPER.TST	
XL1	VJ719800	RSNR.CRYS	16.9344MHz
XL2	VJ802400	RSNR.CE	8MHz

\* New Parts

Schm Ref.	PART NO.	Description	
*	V5502100	P.C.B.	OPERATION
CB803	VB389800	CN.BS.PIN	2P
CB804	VP082900	CN.BS.PIN	25P
CB805	VB858500	CN.BS.PIN	6P
CB806	VQ047500	CN.BS.PIN	20P
CB808	VN066500	CN.BS.PIN	12P
CB908	VN066500	CN.BS.PIN	12P
* C840	UB215100	C.CE.M.CHP	0.1uF 25V
C841	UB044470	C.CE.M.CHP	0.047uF 50V
C842	UB044470	C.CE.M.CHP	0.047uF 50V
* C843	UB215100	C.CE.M.CHP	0.1uF 25V
C844	UM416100	C.EL	1uF 50V
C845	UA953220	C.MYLAR	2200pF 50V
C846	UA953680	C.MYLAR	6800pF 50V
* C847	UB215100	C.CE.M.CHP	0.1uF 25V
C848	UM388100	C.EL	100uF 10V
C849	UM397100	C.EL	10uF 16V
C850	UM397100	C.EL	10uF 16V
C851	UM397100	C.EL	10uF 16V
C852	UM416100	C.EL	1uF 50V
C853	UA953220	C.MYLAR	2200pF 50V
C854	UA953680	C.MYLAR	6800pF 50V
C855	UM388100	C.EL	100uF 10V
C856	UM388100	C.EL	100uF 10V
C857	UM397100	C.EL	10uF 16V
C858	UM397100	C.EL	10uF 16V
C859	UB012270	C.CE.M.CHP	270pF 50V
C860	UB012270	C.CE.M.CHP	270pF 50V
C861	UA953820	C.MYLAR	8200pF 50V
C862	UA953820	C.MYLAR	8200pF 50V
C863	UM388100	C.EL	100uF 10V
* C864	UB215100	C.CE.M.CHP	0.1uF 25V
C865	UB051470	C.CE.M.CHP	47pF 50V
C867	UB051470	C.CE.M.CHP	47pF 50V
C868	UB052100	C.CE.M.CHP	100pF 50V
* C869	UB215100	C.CE.M.CHP	0.1uF 25V
C870	UB052100	C.CE.M.CHP	100pF 50V
C871	UM388100	C.EL	100uF 10V
* C872	UM416470	C.EL	4.7uF 50V
* C873	UB215100	C.CE.M.CHP	0.1uF 25V
* C874	UM416470	C.EL	4.7uF 50V
* C875	UM416470	C.EL	4.7uF 50V
C876	UB013100	C.CE.M.CHP	1000pF 50V
C877	UB013100	C.CE.M.CHP	1000pF 50V
* C890	UM398100	C.EL	100uF 16V
* C891	UM398100	C.EL	100uF 16V
* D800	V5820000	LED(gr)	SEL5523C
* D801	V5820000	LED(gr)	SEL5523C
* D802	V5820000	LED(gr)	SEL5523C
D803	VS132300	LED(re)	SLR-325VCT31
* D804	V5402400	LED(gr)	SEL5421E
* D805	V5820000	LED(gr)	SEL5523C
* D806	V5820000	LED(gr)	SEL5523C

\* New Parts

GX-707 P.C.B. OPERATION

GX-707VCD

Schm Ref.	PART NO.	Description	
* D807	V5479500	LED(or)	SELS5923C
* D808	V5820000	LED(gr)	SEL5523C
* D809	V5820000	LED(gr)	SEL5523C
* D810	V5479500	LED(or)	SELS5923C
* D811	V5820000	LED(gr)	SEL5523C
* D812	V5820000	LED(gr)	SEL5523C
* D813	V5479500	LED(or)	SELS5923C
* D814	V5820000	LED(gr)	SEL5523C
* D815	V5820000	LED(gr)	SEL5523C
* D816	V5479500	LED(or)	SELS5923C
* D817	V5820000	LED(gr)	SEL5523C
* D818	V5820000	LED(gr)	SEL5523C
* D819	V5820000	LED(gr)	SEL5523C
* D820	V5820000	LED(gr)	SEL5523C
* D821	V5820000	LED(gr)	SEL5523C
* D822	V5820000	LED(gr)	SEL5523C
* D823	V5820000	LED(gr)	SEL5523C
* D824	V5820000	LED(gr)	SEL5523C
* D825	V5820000	LED(gr)	SEL5523C
D826	V5910100	LED(or)	SEL5923A
* D827	V5820000	LED(gr)	SEL5523C
D828	V5910100	LED(or)	SEL5923A
* D829	V5820000	LED(gr)	SEL5523C
D830	V5910100	LED(or)	SEL5923A
* D831	V5820000	LED(gr)	SEL5523C
D832	V5910100	LED(or)	SEL5923A
* D833	V5820000	LED(gr)	SEL5523C
D834	VU992900	DIODE.ZENR	MA8056-L 5.4V
IC801	XJ757A00	IC	NJM78L05A-T3
* IC802	XW416A00	IC	BU2092 SER/PAR
IC803	XW059A00	IC	M66004MASP
IC804	XT952A00	IC	YSS247-D
IC807	XB247A00	IC	uPC4570HA
JK802	VT941600	JACK.MNI	SW
PN801	V3750200	PIN	L=70
PN802	V3750200	PIN	L=70
PN803	V3750200	PIN	L=70
Q800	VD303700	TR	2SC3326 A,B
Q801	VD303700	TR	2SC3326 A,B
Q802	iA093320	TR	2SA933S Q,R
Q803	iC174020	TR	2SC1740S R,S
R860	HV754680	R.CAR.FP	68Ω 1/4W
R866	HV754680	R.CAR.FP	68Ω 1/4W
R912	HV754220	R.CAR.FP	22Ω 1/4W
R913	HV755100	R.CAR.FP	100Ω 1/4W
R914	HV755100	R.CAR.FP	100Ω 1/4W
SW800	VG392900	SW.TACT	SKHVAA
SW801	VG392900	SW.TACT	SKHVAA
SW802	VG392900	SW.TACT	SKHVAA
SW803	VG392900	SW.TACT	SKHVAA
SW804	VG392900	SW.TACT	SKHVAA
SW805	VG392900	SW.TACT	SKHVAA
SW806	VG392900	SW.TACT	SKHVAA

\* New Parts

Schm Ref.	PART NO.	Description	
SW807	VG392900	SW.TACT	SKHVAA
SW808	VG392900	SW.TACT	SKHVAA
SW809	VG392900	SW.TACT	SKHVAA
SW810	VG392900	SW.TACT	SKHVAA
SW811	VG392900	SW.TACT	SKHVAA
SW812	VG392900	SW.TACT	SKHVAA
SW813	VG392900	SW.TACT	SKHVAA
SW814	VG392900	SW.TACT	SKHVAA
SW815	VG392900	SW.TACT	SKHVAA
SW816	VG392900	SW.TACT	SKHVAA
SW817	VG392900	SW.TACT	SKHVAA
SW818	VG392900	SW.TACT	SKHVAA
SW819	VG392900	SW.TACT	SKHVAA
SW820	VG392900	SW.TACT	SKHVAA
SW821	VG392900	SW.TACT	SKHVAA
SW822	VG392900	SW.TACT	SKHVAA
SW823	VG392900	SW.TACT	SKHVAA
SW824	VG392900	SW.TACT	SKHVAA
SW825	VG392900	SW.TACT	SKHVAA
SW827	VG392900	SW.TACT	SKHVAA
SW828	VT941400	SW.RT.ENC	EC16B24304
SW829	VG392900	SW.TACT	SKHVAA
SW830	VG392900	SW.TACT	SKHVAA
SW831	VG392900	SW.TACT	SKHVAA
U800	V2856200	L.DTCT	PIC-28043TH2
V800	V2959000	FL.DSPLY	16-BT-63GK
* VR802	V5089100	VR	50KΩ
* VR804	V5089200	VR	100KΩ
	VU351500	SPACER	FL
	V3112800	FL.SHEET	
	V4911100	FER.CORE	BP53RB19012080M

\* New Parts

## GX-707 P.C.B. EFFECT

Schm Ref.	PART NO.	Description		
	V4003800	P.C.B.	EFFECT	
CB2	VB858700	CN.BS.PIN	8P	
CB5	VQ045900	CN.BS.PIN	30P	
CB6	Vi878100	CN.BS.PIN	3P	
* CB7	V4164300	L.EMIT	TOTX178A	
CB8	VK024700	CN.BS.PIN	3P	
CB301	VF728200	CN.BS.PIN	10P	
C1	UR829100	C.EL	1000uF	10V
C2	UB052100	C.CE.M.CHP	100pF	50V
C3	UB052100	C.CE.M.CHP	100pF	50V
C4	UR829100	C.EL	1000uF	10V
C5	UR837100	C.EL	10uF	16V
C6	UR837100	C.EL	10uF	16V
C8	UA655100	C.MYLAR	0.1uF	50V
C9	UR847100	C.EL	10uF	25V
C10	UR837470	C.EL	47uF	16V
C11	UA655470	C.MYLAR	0.47uF	50V
C12	UR847100	C.EL	10uF	25V
C13	UA655100	C.MYLAR	0.1uF	50V
C14	UR865470	C.EL	0.47uF	50V
C15	UR866470	C.EL	4.7uF	50V
C16	UR865470	C.EL	0.47uF	50V
C17	UR866470	C.EL	4.7uF	50V
C18	UR865220	C.EL	0.22uF	50V
C19	UR866330	C.EL	3.3uF	50V
C20	UA655150	C.MYLAR	0.15uF	50V
C21	UA655150	C.MYLAR	0.15uF	50V
C22	UR866330	C.EL	3.3uF	50V
C23	UR865220	C.EL	0.22uF	50V
C24	UR866470	C.EL	4.7uF	50V
C25	UR865470	C.EL	0.47uF	50V
C26	UR866470	C.EL	4.7uF	50V
C27	UR865470	C.EL	0.47uF	50V
C28	UA655100	C.MYLAR	0.1uF	50V
C29	UR847100	C.EL	10uF	25V
C30	UR847100	C.EL	10uF	25V
C31	UA655100	C.MYLAR	0.1uF	50V
C32	UR847100	C.EL	10uF	25V
C33	UR847100	C.EL	10uF	25V
C34	UR838220	C.EL	220uF	16V
C35	UB013100	C.CE.M.CHP	1000pF	50V
C36	UR838330	C.EL	330uF	16V
C37	UA954470	C.MYLAR	0.047uF	50V
C38	UA954220	C.MYLAR	0.022uF	50V
C39	UA952680	C.MYLAR	680pF	50V
C40	UR838220	C.EL	220uF	16V
C41	UA954820	C.MYLAR	0.082uF	50V
C42	UA953330	C.MYLAR	3300pF	50V
C43	UA954820	C.MYLAR	0.082uF	50V
C44	UR865470	C.EL	0.47uF	50V
C45	UR865330	C.EL	0.33uF	50V
C46	UR847100	C.EL	10uF	25V
C47	UR847100	C.EL	10uF	25V

\* New Parts

Schm Ref.	PART NO.	Description		
C48	UR847100	C.EL	10uF	25V
C49	UR866220	C.EL	2.2uF	50V
C50	UR838220	C.EL	220uF	16V
C51	UR866470	C.EL	4.7uF	50V
C52	UA954100	C.MYLAR	0.01uF	50V
C53	UA953470	C.MYLAR	4700pF	50V
C54	UR838220	C.EL	220uF	16V
C55	UR838220	C.EL	220uF	16V
C56	UR847100	C.EL	10uF	25V
C57	UR866470	C.EL	4.7uF	50V
C58	UB052100	C.CE.M.CHP	100pF	50V
C59	UB052100	C.CE.M.CHP	100pF	50V
C60	UB052100	C.CE.M.CHP	100pF	50V
C61	UR837100	C.EL	10uF	16V
C62	UA952470	C.MYLAR	470pF	50V
C63	UR847100	C.EL	10uF	25V
C64	UA953150	C.MYLAR	1500pF	50V
C65	UA952560	C.MYLAR	560pF	50V
C66	UR837100	C.EL	10uF	16V
C67	UB052100	C.CE.M.CHP	100pF	50V
C69	UB052100	C.CE.M.CHP	100pF	50V
C70	UR837100	C.EL	10uF	16V
C71	UR847100	C.EL	10uF	25V
C72	UR837100	C.EL	10uF	16V
C73	UB052100	C.CE.M.CHP	100pF	50V
C74	UB012220	C.CE.M.CHP	220pF	50V
C75	UB012220	C.CE.M.CHP	220pF	50V
C76	UR837100	C.EL	10uF	16V
C77	UR837100	C.EL	10uF	16V
C78	UR865220	C.EL	0.22uF	50V
C79	UR837100	C.EL	10uF	16V
C80	UR865220	C.EL	0.22uF	50V
C81	UR837100	C.EL	10uF	16V
C82	UB012220	C.CE.M.CHP	220pF	50V
C83	UB012220	C.CE.M.CHP	220pF	50V
C84	UB052100	C.CE.M.CHP	100pF	50V
C85	UR837100	C.EL	10uF	16V
C86	UB045100	C.CE.M.CHP	0.1uF	50V
C90	UR837100	C.EL	10uF	16V
C300	UB012220	C.CE.M.CHP	220pF	50V
C301	UB051220	C.CE.M.CHP	22pF	50V
C302	UB052100	C.CE.M.CHP	100pF	50V
C303	UA655220	C.MYLAR	0.22uF	50V
C304	UR847220	C.EL	22uF	25V
C305	UB045100	C.CE.M.CHP	0.1uF	50V
C306	UR867100	C.EL	10uF	50V
C307	UR828220	C.EL	220uF	10V
C308	UR867100	C.EL	10uF	50V
C309	UA954100	C.MYLAR	0.01uF	50V
C310	UA954100	C.MYLAR	0.01uF	50V
C311	UA954100	C.MYLAR	0.01uF	50V
C313	UB044100	C.CE.M.CHP	0.01uF	50V
C314	UA954100	C.MYLAR	0.01uF	50V

\* New Parts



**GX-707 P.C.B. EFFECT & TUNER**

GX-707/MCD

Schm Ref.	PART NO.	Description		
C315	UA953220	C.MYLAR	2200pF	50V
C316	UA953220	C.MYLAR	2200pF	50V
D300	VT332900	DIODE	1SS355	
D301	VT332900	DIODE	1SS355	
D302	VU992300	DIODE.ZENR	MA8047-H	4.9V
D303	VT332900	DIODE	1SS355	
IC1	XH436A00	IC	LA7956	
IC2	iG054600	IC	HD14053BP	MPX
IC5	XV873A00	IC	LV1035M	
IC7	XB247A00	IC	uPC4570HA	
IC8	XB247A00	IC	uPC4570HA	
IC9	XB247A00	IC	uPC4570HA	
IC10	XS884A00	IC	LC7536Y	
IC11	XV466A00	IC	LM1875T	POWER
L1	VD473700	COIL	60uH	
L2	VU038100	COIL	1.5uH	
L3	VU038100	COIL	1.5uH	
PJ1	VV307100	JACK.PIN	4P	
Q1	iC181510	TR	2SC1815	Y
Q2	iC181510	TR	2SC1815	Y
Q3	iC174020	TR	2SC1740S	R,S
Q4	VG722000	TR.DGT	DTC144ES	
Q5	VG722000	TR.DGT	DTC144ES	
Q7	iC287820	TR	2SC2878	A,B
R13	HV753220	R.CAR.FP	2.2Ω	1/4W
R27	HV754220	R.CAR.FP	22Ω	1/4W
R37	HV754220	R.CAR.FP	22Ω	1/4W
R43	HV754220	R.CAR.FP	22Ω	1/4W
R44	HV754220	R.CAR.FP	22Ω	1/4W
R303	HV753680	R.CAR.FP	6.8Ω	1/4W
R305	HV754470	R.CAR.FP	47Ω	1/4W
R307	HV753220	R.CAR.FP	2.2Ω	1/4W
R310	HV753470	R.CAR.FP	4.7Ω	1/4W
R311	HV754100	R.CAR.FP	10Ω	1/4W
R312	HV753220	R.CAR.FP	2.2Ω	1/4W
R314	HV753220	R.CAR.FP	2.2Ω	1/4W
RY1	VU161600	RELAY	DC OSA-SS-224DM3	
TE1	VU900200	TERM.SP	6P	
XL1	VJ802400	RSNR.CE	8MHz	
	V3750100	PIN	L=50	
	BB071360	SCR.TERM	8.3x13	

\* New Parts

Schm Ref.	PART NO.	Description		
	V4000200	P.C.B./CHP	TUNER/TU-02(UCR)	
	V4000300	P.C.B./CHP	TUNER/TU-02(A)	
	V4000400	P.C.B./CHP	TUNER/TU-02(BG)	
CB1	VQ961400	CN.BS.PIN	11P	
C1	UB044100	C.CE.M.CHP	0.01uF	50V
C2	UR838100	C.EL	100uF	16V
C3	UB044100	C.CE.M.CHP	0.01uF	50V
C4	UR865220	C.EL	0.22uF	50V
C5	UB044100	C.CE.M.CHP	0.01uF	50V
C6	UB044100	C.CE.M.CHP	0.01uF	50V
C7	UB044100	C.CE.M.CHP	0.01uF	50V
C8	UB044100	C.CE.M.CHP	0.01uF	50V
C9	UB044470	C.CE.M.CHP	0.047uF	50V
C10	VA760500	C.CE	8pF	50V
C11	UR837100	C.EL	10uF	16V
C12	UB044100	C.CE.M.CHP	0.01uF	50V
C13	UR837470	C.EL	47uF	16V
C14	UB044470	C.CE.M.CHP	0.047uF	50V
C15	UB044100	C.CE.M.CHP	0.01uF	50V
C16	UB044470	C.CE.M.CHP	0.047uF	50V
C17	UR866100	C.EL	1uF	50V
C18	UR865470	C.EL	0.47uF	50V
C19	UR866100	C.EL	1uF	50V
C20	UR866100	C.EL	1uF	50V
C21	UB045100	C.CE.M.CHP	0.1uF	50V
C22	UB044470	C.CE.M.CHP	0.047uF	50V
C23	UR866220	C.EL	2.2uF	50V
C24	UR837330	C.EL	33uF	16V
C25	UB044470	C.CE.M.CHP	0.047uF	50V
C26	UR866330	C.EL	3.3uF	50V
C27	UB044470	C.CE.M.CHP	0.047uF	50V
C28	UR837220	C.EL	22uF	25V
C29	UB014270	C.CE.M.CHP	0.027uF	50V
C30	UB012680	C.CE.M.CHP	680pF	50V(UCRA)
C30	UB052100	C.CE.M.CHP	100pF	50V(BG)
C31	UR837100	C.EL	10uF	16V
C32	UA654430	C.MYLAR	0.043uF	50V(UCR)
C32	UA954270	C.MYLAR	0.027uF	50V(ABG)
C33	UA654430	C.MYLAR	0.043uF	50V(UCR)
C33	UA954270	C.MYLAR	0.027uF	50V(ABG)
C34	UR837100	C.EL	10uF	16V
C35	UR837100	C.EL	10uF	16V
C36	UR866470	C.EL	4.7uF	50V
C37	UR866470	C.EL	4.7uF	50V
C38	UB013270	C.CE.M.CHP	2700pF	50V
C39	UB013270	C.CE.M.CHP	2700pF	50V
C40	UB044100	C.CE.M.CHP	0.01uF	50V
C41	UR837100	C.EL	10uF	16V
C57	UR817470	C.EL	47uF	6.3V
C58	UR817470	C.EL	47uF	6.3V
C59	UR838100	C.EL	100uF	16V
C60	UB052100	C.CE.M.CHP	100pF	50V
C61	UR866100	C.EL	1uF	50V

\* New Parts



**GX-707VCD P.C.B. INPUT**

Schm Ref.	PART NO.	Description		
*	V5501100	P.C.B.	INPUT(RT)	
*	V5501200	P.C.B.	INPUT(L)	
CB5	VQ963200	CN.BS.PIN	11P	
CB6	VM859600	CN.BS.PIN	15P	
CB9	VP327200	CN.FFC	30P	
CB10	VQ047500	CN.BS.PIN	20P	
CB11	VM859600	CN.BS.PIN	15P	
CB13	VP082900	CN.BS.PIN	25P	
C1	UB044100	C.CE.M.CHP	0.01uF	50V
C2	UB044220	C.CE.M.CHP	0.022uF	50V
C3	UR818100	C.EL	100uF	6.3V
C4	UA952680	C.MYLAR	680pF	50V
C5	UB012560	C.CE.M.CHP	560pF	50V
C6	UB012560	C.CE.M.CHP	560pF	50V
C7	UB012220	C.CE.M.CHP	220pF	50V
C8	UB012220	C.CE.M.CHP	220pF	50V
C9	UB012560	C.CE.M.CHP	560pF	50V
C10	UB012560	C.CE.M.CHP	560pF	50V
C11	UB012560	C.CE.M.CHP	560pF	50V
C12	UB012560	C.CE.M.CHP	560pF	50V
C13	UB012220	C.CE.M.CHP	220pF	50V
C14	UB012220	C.CE.M.CHP	220pF	50V
C15	UR838100	C.EL	100uF	16V
C16	UB044100	C.CE.M.CHP	0.01uF	50V
C17	UA952680	C.MYLAR	680pF	50V
C18	UR837470	C.EL	47uF	16V
C19	UB044470	C.CE.M.CHP	0.047uF	50V
C20	UB044100	C.CE.M.CHP	0.01uF	50V
C21	UR866100	C.EL	1uF	50V
C22	UR838100	C.EL	100uF	16V
C23	UR838100	C.EL	100uF	16V
C24	UR865100	C.EL	0.1uF	50V
C25	UT652100	C.PP	100pF	100V
C26	UT652100	C.PP	100pF	100V
C27	UA953100	C.MYLAR	1000pF	50V
C28	UT653820	C.PP	8200pF	100V
C29	UA953470	C.MYLAR	4700pF	50V
C30	UR837100	C.EL	10uF	16V
C31	UR847100	C.EL	10uF	25V
C32	UR837220	C.EL	22uF	25V
C33	UR866470	C.EL	4.7uF	50V
C34	UR837220	C.EL	22uF	25V
C35	UR837220	C.EL	22uF	25V
C36	UR866330	C.EL	3.3uF	50V
C37	UA954180	C.MYLAR	0.018uF	50V
C38	FG612220	C.CE	220pF	50V
C39	FG612220	C.CE	220pF	50V
C40	UA954180	C.MYLAR	0.018uF	50V
C41	UR866100	C.EL	1uF	50V
C42	UR837470	C.EL	47uF	16V
C43	UR866470	C.EL	4.7uF	50V
C44	UR866470	C.EL	4.7uF	50V
C45	UA655100	C.MYLAR	0.1uF	50V
C46	UR865470	C.EL	0.47uF	50V
C47	UR866470	C.EL	4.7uF	50V
C48	UR866220	C.EL	2.2uF	50V
C49	UR866220	C.EL	2.2uF	50V

\* New Parts

Schm Ref.	PART NO.	Description		
C50	UR866470	C.EL	4.7uF	50V
C51	UR866470	C.EL	4.7uF	50V
C52	UR866470	C.EL	4.7uF	50V
C53	UR866220	C.EL	2.2uF	50V
C54	UA953270	C.MYLAR	2700pF	50V
C55	UR866470	C.EL	4.7uF	50V
C56	UR865220	C.EL	0.22uF	50V
C57	UB044100	C.CE.M.CHP	0.01uF	50V
C58	UR847100	C.EL	10uF	25V
C59	UB052100	C.CE.M.CHP	100pF	50V
C60	UB052100	C.CE.M.CHP	100pF	50V
C61	UA953270	C.MYLAR	2700pF	50V
C62	UR866470	C.EL	4.7uF	50V
C63	UR866470	C.EL	4.7uF	50V
C64	UA655100	C.MYLAR	0.1uF	50V
C65	UR866220	C.EL	2.2uF	50V
C66	UR866220	C.EL	2.2uF	50V
C67	UR866220	C.EL	2.2uF	50V
C68	UR865220	C.EL	0.22uF	50V
C69	UR848100	C.EL	100uF	25V
C70	UR866100	C.EL	1uF	50V
C71	UR837220	C.EL	22uF	25V
C72	UR837100	C.EL	10uF	16V
C73	UR847100	C.EL	10uF	25V
C74	UR847100	C.EL	10uF	25V
C75	UR837220	C.EL	22uF	25V
C76	UR866100	C.EL	1uF	50V
C77	UA655680	C.MYLAR	0.68uF	50V
C78	UA953680	C.MYLAR	6800pF	50V
C79	UA954220	C.MYLAR	0.022uF	50V
C80	UB013220	C.CE.M.CHP	2200pF	50V
C81	UR866100	C.EL	1uF	50V
C82	UA654750	C.MYLAR	0.075uF	50V
C83	UA953220	C.MYLAR	2200pF	50V
C84	UA954680	C.MYLAR	0.068uF	50V
C85	UR847100	C.EL	10uF	25V
C86	UR866100	C.EL	1uF	50V
C87	UR847100	C.EL	10uF	25V
C88	UA953220	C.MYLAR	2200pF	50V
C89	UA654750	C.MYLAR	0.075uF	50V
C90	UA954680	C.MYLAR	0.068uF	50V
C91	UR847100	C.EL	10uF	25V
C92	UB013220	C.CE.M.CHP	2200pF	50V
C93	UR866100	C.EL	1uF	50V
C94	UR847100	C.EL	10uF	25V
C95	UA954220	C.MYLAR	0.022uF	50V
C96	UA655680	C.MYLAR	0.68uF	50V
C97	UA953680	C.MYLAR	6800pF	50V
C98	UR866100	C.EL	1uF	50V
C99	UB052100	C.CE.M.CHP	100pF	50V
C100	UR837100	C.EL	10uF	16V
C101	UB052100	C.CE.M.CHP	100pF	50V
C102	UR837100	C.EL	10uF	16V
C103	VF992600	C.EL	4700uF	5.5V
C104	UB044100	C.CE.M.CHP	0.01uF	50V
C105	UB052100	C.CE.M.CHP	100pF	50V
C106	UB052100	C.CE.M.CHP	100pF	50V

\* New Parts

GX-707VCD

## GX-707VCD P.C.B. INPUT

Schm Ref.	PART NO.	Description		
C107	UB245100	C.CE.M.CHP	0.1uF	25V
C108	UB052100	C.CE.M.CHP	100pF	50V
C109	UR866220	C.EL	2.2uF	50V
C110	UB052100	C.CE.M.CHP	100pF	50V
C111	UB052100	C.CE.M.CHP	100pF	50V
C112	UB052100	C.CE.M.CHP	100pF	50V
C113	UB052100	C.CE.M.CHP	100pF	50V
C114	UA654750	C.MYLAR	0.075uF	50V
C115	UR847100	C.EL	10uF	25V
C116	UR866100	C.EL	1uF	50V
C117	UR847100	C.EL	10uF	25V
C118	UR847100	C.EL	10uF	25V
C119	UR866100	C.EL	1uF	50V
C120	UR847100	C.EL	10uF	25V
C121	UA654750	C.MYLAR	0.075uF	50V
C122	UB245100	C.CE.M.CHP	0.1uF	25V
C123	UB245100	C.CE.M.CHP	0.1uF	25V
C124	VJ900300	C.CE.M.CHP	22pF	50V
C125	VJ900300	C.CE.M.CHP	22pF	50V
C126	UB245100	C.CE.M.CHP	0.1uF	25V
C127	UR837100	C.EL	10uF	16V
C128	UR837100	C.EL	10uF	16V
C129	UR837100	C.EL	10uF	16V
C130	UR837100	C.EL	10uF	16V
C131	UR866100	C.EL	1uF	50V
C132	UB051470	C.CE.M.CHP	47pF	50V
C133	UB051470	C.CE.M.CHP	47pF	50V
C134	UN865470	C.EL	0.47uF	50V
C135	UR838100	C.EL	100uF	16V
C136	UR838100	C.EL	100uF	16V
C137	UB051470	C.CE.M.CHP	47pF	50V
C138	UB051470	C.CE.M.CHP	47pF	50V
C139	UR866100	C.EL	1uF	50V
C140	UB245100	C.CE.M.CHP	0.1uF	25V
C141	UB245100	C.CE.M.CHP	0.1uF	25V
C142	UR837100	C.EL	10uF	16V
C143	UR865470	C.EL	0.47uF	50V
C144	UR837100	C.EL	10uF	16V
C145	UR837100	C.EL	10uF	16V
C146	UR837100	C.EL	10uF	16V
C147	UR837220	C.EL	22uF	25V
C148	UB051470	C.CE.M.CHP	47pF	50V
C149	UB051470	C.CE.M.CHP	47pF	50V
C150	UR837220	C.EL	22uF	25V
C151	UR837100	C.EL	10uF	16V
C152	UR837100	C.EL	10uF	16V
C153	UR837100	C.EL	10uF	16V
C154	UR838330	C.EL	330uF	16V
C155	UB012330	C.CE.M.CHP	330pF	50V
C156	UB012330	C.CE.M.CHP	330pF	50V
C157	UR837100	C.EL	10uF	16V
C158	UR837100	C.EL	10uF	16V
C159	UN866100	C.EL	1uF	50V
C160	UB052100	C.CE.M.CHP	100pF	50V
D3	VU992700	DIODE.ZENR	MA8051-H	5.3V
D4	VT332900	DIODE	1SS355	
D5	VT332900	DIODE	1SS355	

\* New Parts

Schm Ref.	PART NO.	Description		
D6	VU992900	DIODE.ZENR	MA8056-L	5.4V
D7	VU995100	DIODE.ZENR	MA8091-H	9.4V
D8	VT332900	DIODE	1SS355	
D10	VT332900	DIODE	1SS355	
D11	VV833200	DIODE	1SS380	
D12	VT332900	DIODE	1SS355	
D20	VU995300	DIODE.ZENR	MA8100-L	9.7V
D21	VT332900	DIODE	1SS355	
D22	VU992300	DIODE.ZENR	MA8047-H	4.9V
D23	VU993000	DIODE.ZENR	MA8056-M	5.6V
D24	VU993400	DIODE.ZENR	MA8062-M	6.2V
D25	VU995300	DIODE.ZENR	MA8100-L	9.7V
D26	VV220700	DIODE.SHOT	RB501V-40	
HS1	VN126800	HEAT.SINK	U0T-16C25-MP	
IC1	XF494A00	IC	LB1641	
IC2	XD864A00	IC	uPC1330HA	
IC3	XG903A00	IC	TC4052BF MPX	
IC4	XG903A00	IC	TC4052BF MPX	
IC5	XF293A00	IC	uPD4066G-T1	
IC6	XV473A00	IC	CXA1897Q	
IC7	XV474A00	IC	LC75393E	
IC8	XY614A00	IC.CPU	M38199MF-235FP CPU	
IC9	XF291A00	IC	uPC4570G2	
IC10	XG938A00	IC	BA15218N	
IC11	XF291A00	IC	uPC4570G2	
IC21	XF291A00	IC	uPC4570G2	
IC26	XR275A00	IC	BA3835S	
L1	VM547800	COIL.BIAS	105KHz	
L2	GE900780	COIL.BIAS	105KHz	
L3	GE900780	COIL.BIAS	105KHz	
PJ1	VV306900	JACK.PIN	4P	
PJ2	VV307000	JACK.PIN	6P	
PJ4	VV306800	JACK.PIN	1P	
PN1	V3750200	PIN	L=70	
PN2	V3750200	PIN	L=70	
PN3	V3750200	PIN	L=70	
Q1	VV655700	TR.DGT	DTC144EKA	
Q2	VE613300	TR	2SB1237 Q,R	
Q3	iC174020	TR	2SC1740S R,S	
Q4	VE613300	TR	2SB1237 Q,R	
Q5	VV655300	TR.DGT	DTA144EKA	
Q6	VV655300	TR.DGT	DTA144EKA	
Q7	VV655700	TR.DGT	DTC144EKA	
Q8	V3752400	TR.DGT	DTC143TKA	
Q9	VV655500	TR.DGT	DTC124EKA	
Q10	VV655500	TR.DGT	DTC124EKA	
Q11	iC174020	TR	2SC1740S R,S	
Q12	iC174020	TR	2SC1740S R,S	
Q13	iC174020	TR	2SC1740S R,S	
Q14	VV655500	TR.DGT	DTC124EKA	
Q15	VV655700	TR.DGT	DTC144EKA	
Q16	VV655500	TR.DGT	DTC124EKA	
Q17	VE613400	TR	2SD1858 Q,R	
Q18	VV655400	TR.DGT	DTC114EKA	
Q19	V3033500	TR.DGT	DTC143XKA	
Q20	VV655300	TR.DGT	DTA144EKA	
Q21	VZ725900	TR	2SD1938F S,T	

\* New Parts

**GX-707VCD P.C.B. INPUT & MAIN**

GX-707VCD

Schm Ref.	PART NO.	Description	
Q22	VV655000	TR.DGT	DTA114EKA
Q23	VZ725900	TR	2SD1938F S,T
Q24	VZ725900	TR	2SD1938F S,T
△ Q25	VK407600	TR	2SC4208A Q,R,S
Q26	VS883400	TR	2SD2394 E,F
△ Q27	VK407600	TR	2SC4208A Q,R,S
Q28	iA093320	TR	2SA933S Q,R
Q29	VV655700	TR.DGT	DTC144EKA
Q30	VV655700	TR.DGT	DTC144EKA
Q31	VV655700	TR.DGT	DTC144EKA
Q32	VV655700	TR.DGT	DTC144EKA
△ Q33	VK407600	TR	2SC4208A Q,R,S
Q34	VV655500	TR.DGT	DTC124EKA
Q35	VV655500	TR.DGT	DTC124EKA
Q36	VV655500	TR.DGT	DTC124EKA
R27	VP940100	R.MTL.OXD	33Ω 1W
R35	HV755150	R.CAR.FP	150Ω 1/4W
R59	HV754220	R.CAR.FP	22Ω 1/4W
R66	HV755560	R.CAR.FP	560Ω 1/4W
△ R95	HV753560	R.CAR.FP	5.6Ω 1/4W
△ R110	HV754680	R.CAR.FP	68Ω 1/4W
R155	HV754220	R.CAR.FP	22Ω 1/4W
R156	HV754220	R.CAR.FP	22Ω 1/4W
R251	HV754220	R.CAR.FP	22Ω 1/4W
R254	HV754220	R.CAR.FP	22Ω 1/4W
R258	HV754220	R.CAR.FP	22Ω 1/4W
R273	HV754220	R.CAR.FP	22Ω 1/4W
ST1	BB071360	SCR.TERM	8.3x13
SW1	VU755800	SW.SLIDE	SS029-P2130GB-PC4
SW2	VU755700	SW.SLIDE	SS029P012BEBPC4(RT)
VR1	VJ693600	VR.TRIM	B10KΩ
VR2	VJ694300	VR.TRIM	B150KΩ
VR3	VJ694300	VR.TRIM	B150KΩ
VR4	VJ693600	VR.TRIM	B10KΩ
VR5	VJ693800	VR.TRIM	B22KΩ
VR6	VJ693800	VR.TRIM	B22KΩ
VR7	VJ692900	VR.TRIM	B680Ω
XL1	VJ802400	RSNR.CE	8MHz
XL2	VQ328900	RSNR.CRYS	32.768KHz
	V4266600	P.C.B.	MAIN(RT)
	V4266700	P.C.B.	MAIN(L)
CB201	VL845300	CN.BS.PIN	9P
CB202	VB390700	CN.BS.PIN	11P
CB203	VL844800	CN.BS.PIN	4P
CB204	VP206500	HOLDER.FUS	EYF-52BCT
CB205	VL845100	CN.BS.PIN	7P
CB206	VK026500	CN.BS.PIN	6P
CB207	Vi878400	CN.BS.PIN	6P
CB208	VB390300	CN.BS.PIN	7P
CB209	VP206500	HOLDER.FUS	EYF-52BCT
CB210	VB389800	CN.BS.PIN	2P
CB212	VP206500	HOLDER.FUS	EYF-52BCT(RT)
CB213	VP206500	HOLDER.FUS	EYF-52BCT(RT)
CB214	Vi878800	CN.BS.PIN	10P

\* New Parts

Schm Ref.	PART NO.	Description	
CB215	VG879900	CN.BS.PIN	2P
CB216	VP206500	HOLDER.FUS	EYF-52BCT
CB217	VP206500	HOLDER.FUS	EYF-52BCT
C201	UR866470	C.EL	4.7uF 50V
C202	VF466900	C.CE.TUBLR	470pF 50V
C203	VF466900	C.CE.TUBLR	470pF 50V
C204	VF466900	C.CE.TUBLR	470pF 50V
C205	VF466800	C.CE.TUBLR	100pF 50V
C206	VF466800	C.CE.TUBLR	100pF 50V
C207	VF466800	C.CE.TUBLR	100pF 50V
C208	VF466800	C.CE.TUBLR	100pF 50V
C209	UR838330	C.EL	330uF 16V
C210	UR866470	C.EL	4.7uF 50V
C211	UR867470	C.EL	47uF 50V
C212	VG278400	C.CE.TUBLR	220pF 50V
C213	UR867100	C.EL	10uF 50V
C214	UR838100	C.EL	100uF 16V
C215	UR838100	C.EL	100uF 16V
C216	UR867100	C.EL	10uF 50V
C217	VG278400	C.CE.TUBLR	220pF 50V
C218	UR867100	C.EL	10uF 50V
C219	VG278400	C.CE.TUBLR	220pF 50V
C220	UR838100	C.EL	100uF 16V
C221	UR867220	C.EL	22uF 50V
C222	UR867220	C.EL	22uF 50V
C223	VF467300	C.CE.TUBLR	0.01uF 16V
C224	FG650300	C.CE	3pF 50V
C225	UT653220	C.PP	2200pF 100V
C226	UR798100	C.EL	100uF 100V
C227	UT653220	C.PP	2200pF 100V
C228	UR798100	C.EL	100uF 100V
C229	FG650300	C.CE	3pF 50V
C230	FG650300	C.CE	3pF 50V
C231	UR858100	C.EL	100uF 35V
C232	UR897100	C.EL	10uF 100V
C233	UR858100	C.EL	100uF 35V
C234	UR897100	C.EL	10uF 100V
C235	UR866470	C.EL	4.7uF 50V
C236	UA954470	C.MYLAR	0.047uF 50V
C237	UA954470	C.MYLAR	0.047uF 50V
C238	UA954470	C.MYLAR	0.047uF 50V
C239	V3671100	C.EL	4700uF 71V
C240	V3671100	C.EL	4700uF 71V
C241	UR818100	C.EL	100uF 6.3V
C242	V3671000	C.EL	4700uF 35V
C243	V3671000	C.EL	4700uF 35V
C244	UA953220	C.MYLAR	2200pF 50V
C245	UA953220	C.MYLAR	2200pF 50V
C246	VF467300	C.CE.TUBLR	0.01uF 16V
C247	VF467300	C.CE.TUBLR	0.01uF 16V
C248	UA954100	C.MYLAR	0.01uF 50V
C249	UA954100	C.MYLAR	0.01uF 50V
C250	VR324800	C.MYLAR	0.047uF 100V
C251	VR324800	C.MYLAR	0.047uF 100V
C252	UA954470	C.MYLAR	0.047uF 50V
C253	UA954470	C.MYLAR	0.047uF 50V
C254	UA954100	C.MYLAR	0.01uF 50V

\* New Parts

## GX-707VCD P.C.B. MAIN &amp; VCD

Schm Ref.	PART NO.	Description		
C255	UR739470	C.EL	4700uF	16V
C259	FG644100	C.CE	0.01uF	50V
C260	FG613100	C.CE	1000pF	50V(RT)
C261	UR848470	C.EL	470uF	25V
C262	UR768470	C.EL	470uF	50V(RT)
C263	VJ599100	C.CE.TUBLR	0.1uF	50V
C264	UA954100	C.MYLAR	0.01uF	50V
C265	UA954100	C.MYLAR	0.01uF	50V
△ C266	VS741700	C.CE.SAFTY	0.01uF	275V
C267	UR867100	C.EL	10uF	50V
C268	UR867470	C.EL	47uF	50V
C271	UR867100	C.EL	10uF	50V
C300	UR847100	C.EL	10uF	25V
D201	VG443100	DIODE.ZENR	MTZJ27D	27V
D202	VG440500	DIODE.ZENR	MTZJ13B	13V
D203	VG440500	DIODE.ZENR	MTZJ13B	13V
D204	VG440500	DIODE.ZENR	MTZJ13B	13V
D205	VN008700	DIODE	1SS270A	
D206	VN008700	DIODE	1SS270A	
D207	VN008700	DIODE	1SS270A	
D208	VN008700	DIODE	1SS270A	
D209	VD631600	DIODE	1SS133,176	
D210	VG440500	DIODE.ZENR	MTZJ13B	13V
△ D211	VN011400	DIODE.BRG	D5SB20	5A 200V
△ D212	VN011400	DIODE.BRG	D5SB20	5A 200V
△ D213	VN011300	DIODE.BRG	D3SBA20	4A 200V
D214	VD631600	DIODE	1SS133,176	
△ D215	VR253700	DIODE.BRG	S1NB20	1.0A 200V
D216	VG440500	DIODE.ZENR	MTZJ13B	13V(RT)
D217	VG440500	DIODE.ZENR	MTZJ13B	13V
F201	KB000750	FUSE.MNI	T2.0A	250V
△ F202	KB000790	FUSE	T4.0A	250V(RT)
△ F202	KB001660	FUSE	T1.6A	250V(L)
△ F203	KB001660	FUSE	T1.6A	250V(RT)
G201	VR463400	TERM.GND	D3.5	TP00385
HS201	V2692300	HEAT.SINK	BPUE36-30	
HS202	VN126800	HEAT.SINK	U0T-16C25-MP(RT)	
IC201	XW057A00	IC	STK496-620Y	80W 3C
L201	VU038100	COIL	1.5uH	
L202	VU038100	COIL	1.5uH	
Q201	iC287820	TR	2SC2878 A,B	
Q202	iC287820	TR	2SC2878 A,B	
Q203	iC287820	TR	2SC2878 A,B	
△# Q204	VR510800	TR	2SD2396 J,K	
△ Q206	VS883300	TR	2SB1565 E,F	
△ Q207	VS883300	TR	2SB1565 E,F	
Q208	VP883000	TR	2SA893A D,E	
Q209	VP883100	TR	2SC1890A D,E	
Q210	VP883100	TR	2SC1890A D,E	
Q211	VP883100	TR	2SC1890A D,E	
Q212	iC287820	TR	2SC2878 A,B	
Q213	iC174020	TR	2SC1740S R,S	
Q214	iC174020	TR	2SC1740S R,S	
Q215	iC174020	TR	2SC1740S R,S	
Q216	iC174020	TR	2SC1740S R,S	
Q217	VR510800	TR	2SD2396 J,K(RT)	
△# Q218	VR510800	TR	2SD2396 J,K	

\* New Parts

Schm Ref.	PART NO.	Description		
Q219	iC174020	TR	2SC1740S R,S	
Q220	VP883000	TR	2SA893A D,E	
Q221	iA093320	TR	2SA933S Q,R	
Q222	VR402300	TR	2SB647 C,D	
△ R222	HV753100	R.CAR.FP	1Ω	1/4W
△ R225	HV753100	R.CAR.FP	1Ω	1/4W
△ R226	HV753100	R.CAR.FP	1Ω	1/4W
R227	VP940400	R.MTL.OXD	100Ω	1W
R230	VP940400	R.MTL.OXD	100Ω	1W
R234	V3158200	R.MTL.PLAT	0.22Ω	
R237	V3158200	R.MTL.PLAT	0.22Ω	
R238	V3158200	R.MTL.PLAT	0.22Ω	
R242	HV754100	R.CAR.FP	10Ω	1/4W
R245	HV754100	R.CAR.FP	10Ω	1/4W
R247	HV754100	R.CAR.FP	10Ω	1/4W
R250	HV754100	R.CAR.FP	10Ω	1/4W
R255	HV754100	R.CAR.FP	10Ω	1/4W
R263	HV754470	R.CAR.FP	47Ω	1/4W
△ R269	HV753100	R.CAR.FP	1Ω	1/4W
△ R270	HV753100	R.CAR.FP	1Ω	1/4W
R274	HV756560	R.CAR.FP	5.6KΩ	1/4W(RT)
R275	HV756560	R.CAR.FP	5.6KΩ	1/4W(RT)
△ R277	HV753100	R.CAR.FP	1Ω	1/4W
R290	HV754220	R.CAR.FP	22Ω	1/4W
RY201	VU161600	RELAY	DC OSA-SS-224DM3	
△ RY203	V2712300	RELAY	DC SDT-S-112LMR	
△ SW204	VA961800	VOLT.SELCT	ESE-37247-F(RT)	
△ T203	XV444A00	TRANS.PWR	(RT)	
△ T203	XV445A00	TRANS.PWR	(L)	
TE201	V2996200	TERM.SP	4P	
	V3750100	PIN	L=50	
	BB071360	SCR.TERM	8.3x13	
	EP600140	SCR.BND.HD	3x10	MFZN2-BL
	V5503200	P.C.B.	VCD	
CB2	V2731000	CN.FMN	16P	
CB3	VB390200	CN.BS.PIN	6P	
CB4	VM923600	CN.BS.PIN	13P	
CB9	LB919030	CN.BS.PIN	3P	
CB10	VM929900	CN.BS.PIN	15P	
CB11	VB858200	CN.BS.PIN	3P	
CB12	VB858300	CN.BS.PIN	4P	
CB13	VZ085400	CN	30P	
C1	UN866100	C.EL	1uF	50V
C2	UR818100	C.EL	100uF	6.3V
C3	UN866100	C.EL	1uF	50V
C4	UR818100	C.EL	100uF	6.3V
C5	UR818470	C.EL	470uF	6.3V
C6	UB044100	C.CE.M.CHP	0.01uF	50V
C7	UB013100	C.CE.M.CHP	1000pF	50V
C8	UR837470	C.EL	47uF	16V
C10	UR837100	C.EL	10uF	16V
C11	VJ900300	C.CE.M.CHP	22pF	50V
C12	UR838220	C.EL	220uF	16V
C13	UR818100	C.EL	100uF	6.3V

\* New Parts

## GX-700VCD P.C.B. VCD

Schm Ref.	PART NO.	Description		
C14	UB045100	C.CE.M.CHP	0.1uF	50V
C15	UB045100	C.CE.M.CHP	0.1uF	50V
C17	UB044100	C.CE.M.CHP	0.01uF	50V
C18	UR866100	C.EL	1uF	50V
C19	UA952100	C.MYLAR	100pF	50V
C20	UA655270	C.MYLAR	0.27uF	50V
C21	UR818100	C.EL	100uF	6.3V
C22	UA655100	C.MYLAR	0.1uF	50V
C23	UA953220	C.MYLAR	2200pF	50V
C24	UA655100	C.MYLAR	0.1uF	50V
C25	UA954470	C.MYLAR	0.047uF	50V
C26	UA953470	C.MYLAR	4700pF	50V
C27	UA953220	C.MYLAR	2200pF	50V
C28	UA953150	C.MYLAR	1500pF	50V
C29	UA953150	C.MYLAR	1500pF	50V
C30	UA655100	C.MYLAR	0.1uF	50V
C31	UB052390	C.CE.M.CHP	390pF	50V
C32	UB045100	C.CE.M.CHP	0.1uF	50V
C33	UA954680	C.MYLAR	0.068uF	50V
C34	VJ900300	C.CE.M.CHP	22pF	50V
C35	VR498100	C.EL	6.8uF	6.3V
C36	UA655100	C.MYLAR	0.1uF	50V
C37	UB044100	C.CE.M.CHP	0.01uF	50V
C38	UR818100	C.EL	100uF	6.3V
C39	VJ900300	C.CE.M.CHP	22pF	50V
C40	UB044100	C.CE.M.CHP	0.01uF	50V
C41	UR866100	C.EL	1uF	50V
C42	UR866100	C.EL	1uF	50V
C43	UR866100	C.EL	1uF	50V
C44	UR866100	C.EL	1uF	50V
C45	UB044100	C.CE.M.CHP	0.01uF	50V
C46	UR818470	C.EL	470uF	6.3V
C47	UB044100	C.CE.M.CHP	0.01uF	50V
C48	VR498100	C.EL	6.8uF	6.3V
C49	UR818100	C.EL	100uF	6.3V
C50	UB044100	C.CE.M.CHP	0.01uF	50V
C51	UR818100	C.EL	100uF	6.3V
C52	UB044100	C.CE.M.CHP	0.01uF	50V
C53	UA655330	C.MYLAR	0.33uF	50V
C54	UB044100	C.CE.M.CHP	0.01uF	50V
C55	UR866100	C.EL	1uF	50V
C56	UR818100	C.EL	100uF	6.3V
C57	UA952560	C.MYLAR	560pF	50V
C58	UA952560	C.MYLAR	560pF	50V
C59	UB044100	C.CE.M.CHP	0.01uF	50V
C60	UR739100	C.EL	1000uF	16V
C61	UB044100	C.CE.M.CHP	0.01uF	50V
C62	UA952100	C.MYLAR	100pF	50V
C63	UB012470	C.CE.M.CHP	470pF	50V
C64	UA952100	C.MYLAR	100pF	50V
C67	UB044100	C.CE.M.CHP	0.01uF	50V
C68	UR818100	C.EL	100uF	6.3V
C69	UR828100	C.EL	100uF	10V
C70	UA954120	C.MYLAR	0.012uF	50V
C71	UA953330	C.MYLAR	3300pF	50V
C72	UA953330	C.MYLAR	3300pF	50V
C73	UA954120	C.MYLAR	0.012uF	50V

\* New Parts

Schm Ref.	PART NO.	Description		
C74	UR837330	C.EL	33uF	16V
C75	UR837220	C.EL	22uF	25V
C76	UR837220	C.EL	22uF	25V
C77	UR837220	C.EL	22uF	25V
C78	UR837220	C.EL	22uF	25V
C79	UA953150	C.MYLAR	1500pF	50V
C80	UA953150	C.MYLAR	1500pF	50V
C82	UB044100	C.CE.M.CHP	0.01uF	50V
C83	UB044100	C.CE.M.CHP	0.01uF	50V
C84	V4749000	C.EL	150uF	6.3V
C85	V4749000	C.EL	150uF	6.3V
C86	V4749000	C.EL	150uF	6.3V
C87	UB045100	C.CE.M.CHP	0.1uF	50V
C88	UB045100	C.CE.M.CHP	0.1uF	50V
C89	UB045100	C.CE.M.CHP	0.1uF	50V
C93	UA655100	C.MYLAR	0.1uF	50V
D1	VT332900	DIODE	1SS355	
D2	VU993400	DIODE.ZENR	MA8062-M	6.2V
D4	VT332900	DIODE	1SS355	
D5	VT332900	DIODE	1SS355	
D6	VT332900	DIODE	1SS355	
D7	VU993400	DIODE.ZENR	MA8062-M	6.2V
G1	VR463400	TERM.GND	D3.5 TP00385	
HS1	VN126800	HEAT.SINK	U0T-16C25-MP	
HS2	VA119100	HEAT.SINK		
IC1	XT526A00	IC	M56748FP CD-DRIVER	
IC2	XR274A00	IC	TA8409SE	
IC3	XR274A00	IC	TA8409SE	
IC4	XS741A00	IC	AN8806SB	
IC5	XW915A00	IC	MN35511AL	
IC6	XT333A00	IC	uPC29M33HF 3.3V	
IC7	XQ667A00	IC	M5237L	
IC8	XY612A00	IC.CPU	M38199MF-236FP CPU	
IC9	XQ248A00	IC	TC74HC125AF BUS BU	
IC10	XS993A00	IC	TC74HC04AF INV	
IC11	XN961A00	IC	TC74VHC14F INV	
IC12	XQ248A00	IC	TC74HC125AF BUS BU	
IC13	XF291A00	IC	uPC4570G2	
IC14	XF291A00	IC	uPC4570G2	
L1	VD473700	COIL	60uH	
L2	VD473700	COIL	60uH	
L3	VD473700	COIL	60uH	
L4	VD473700	COIL	60uH	
PN1	V3750200	PIN	L=70	
PN2	V3750200	PIN	L=70	
PN3	V3750200	PIN	L=70	
PN4	V3750200	PIN	L=70	
PN5	V3750200	PIN	L=70	
PN6	V3750200	PIN	L=70	
Q1	VD678700	TR.DGT	DTC114ES	
Q2	VR402300	TR	2SB647 C,D	
Q3	iC287820	TR	2SC2878 A,B	
Q4	VD678700	TR.DGT	DTC114ES	
Q5	VD678700	TR.DGT	DTC114ES	
Q6	VD678700	TR.DGT	DTC114ES	
Q7	VD678700	TR.DGT	DTC114ES	
Q8	VS883300	TR	2SB1565 E,F	

\* New Parts

## GX-707VCD P.C.B. VCD &amp; OPERATION

Schm Ref.	PART NO.	Description	
Q9	VR510800	TR	2SD2396 J,K
Q10	VD678700	TR.DGT	DTC114ES
Q11	iC287820	TR	2SC2878 A,B
Q12	iC287820	TR	2SC2878 A,B
Q13	VD678500	TR.DGT	DTA114ES
R16	HV753220	R.CAR.FP	2.2Ω 1/4W
R46	VH307000	R.ARRAY	RGLE6X473J
R66	VH307000	R.ARRAY	RGLE6X473J
R67	VH307000	R.ARRAY	RGLE6X473J
R96	VH307000	R.ARRAY	RGLE6X473J
R102	VH307000	R.ARRAY	RGLE6X473J
R107	VU318400	R.MTL.OXD	27Ω 1W
R108	VU318400	R.MTL.OXD	27Ω 1W
R109	VU318400	R.MTL.OXD	27Ω 1W
R112	VH307000	R.ARRAY	RGLE6X473J
R116	Vi868300	R.FUS	0.68Ω 1/6W
TP1	VL448600	JUMPER.TST	
TP2	VL448600	JUMPER.TST	
XL1	VJ719800	RSNR.CRYS	16.9344MHz
XL2	VJ802400	RSNR.CE	8MHz
	V5502200	P.C.B.	OPERATION
CB801	VM859600	CN.BS.PIN	15P
CB803	VB389800	CN.BS.PIN	2P
CB804	VP082900	CN.BS.PIN	25P
CB805	VB858500	CN.BS.PIN	6P
CB806	VQ047500	CN.BS.PIN	20P
CB808	VN066500	CN.BS.PIN	12P
CB908	VN066500	CN.BS.PIN	12P
C800	UM416100	C.EL	1uF 50V
C801	UM416100	C.EL	1uF 50V
C802	UA655150	C.MYLAR	0.15uF 50V
C803	UM416100	C.EL	1uF 50V
C804	UM416220	C.EL	2.2uF 50V
C805	UM416100	C.EL	1uF 50V
C806	UB044100	C.CE.M.CHP	0.01uF 50V
C807	UM406470	C.EL	4.7uF 50V
C808	UM416100	C.EL	1uF 50V
C809	UB215100	C.CE.M.CHP	0.1uF 25V
C810	UA954100	C.MYLAR	0.01uF 50V
C811	UB012220	C.CE.M.CHP	220pF 50V
C812	UB012220	C.CE.M.CHP	220pF 50V
C813	UM397470	C.EL	47uF 16V
C814	UM397470	C.EL	47uF 16V
C815	UM416100	C.EL	1uF 50V
C816	UM397100	C.EL	10uF 16V
C817	UM397100	C.EL	10uF 16V
C818	UM416100	C.EL	1uF 50V
C819	UA953100	C.MYLAR	1000pF 50V
C820	UM397100	C.EL	10uF 16V
C821	UB215100	C.CE.M.CHP	0.1uF 25V
C822	UA953470	C.MYLAR	4700pF 50V
C823	UA655100	C.MYLAR	0.1uF 50V
C824	UM388100	C.EL	100uF 10V
C825	UA954680	C.MYLAR	0.068uF 50V

\* New Parts

Schm Ref.	PART NO.	Description	
C826	UM397100	C.EL	10uF 16V
C827	UN866220	C.EL	2.2uF 50V
C828	UA953100	C.MYLAR	1000pF 50V
C829	UA954680	C.MYLAR	0.068uF 50V
C830	UM406470	C.EL	4.7uF 50V
C831	UM416100	C.EL	1uF 50V
C832	UN866220	C.EL	2.2uF 50V
C833	UM387470	C.EL	47uF 16V
C834	UM416100	C.EL	1uF 50V
C835	UM416220	C.EL	2.2uF 50V
C836	UM416100	C.EL	1uF 50V
C837	UA953470	C.MYLAR	4700pF 50V
C838	UA655100	C.MYLAR	0.1uF 50V
C839	UA953820	C.MYLAR	8200pF 50V
C840	UB215100	C.CE.M.CHP	0.1uF 25V
C841	UB044470	C.CE.M.CHP	0.047uF 50V
C842	UB044470	C.CE.M.CHP	0.047uF 50V
C843	UB215100	C.CE.M.CHP	0.1uF 25V
C844	UM416100	C.EL	1uF 50V
C845	UA953220	C.MYLAR	2200pF 50V
C846	UA953680	C.MYLAR	6800pF 50V
C847	UB215100	C.CE.M.CHP	0.1uF 25V
C848	UM388100	C.EL	100uF 10V
C849	UM397100	C.EL	10uF 16V
C850	UM397100	C.EL	10uF 16V
C851	UM397100	C.EL	10uF 16V
C852	UM416100	C.EL	1uF 50V
C853	UA953220	C.MYLAR	2200pF 50V
C854	UA953680	C.MYLAR	6800pF 50V
C855	UM388100	C.EL	100uF 10V
C856	UM388100	C.EL	100uF 10V
C857	UM397100	C.EL	10uF 16V
C858	UM397100	C.EL	10uF 16V
C859	UB012270	C.CE.M.CHP	270pF 50V
C860	UB012270	C.CE.M.CHP	270pF 50V
C861	UA953820	C.MYLAR	8200pF 50V
C862	UA953820	C.MYLAR	8200pF 50V
C863	UM388100	C.EL	100uF 10V
C864	UB215100	C.CE.M.CHP	0.1uF 25V
C865	UB051470	C.CE.M.CHP	47pF 50V
C867	UB051470	C.CE.M.CHP	47pF 50V
C868	UB052100	C.CE.M.CHP	100pF 50V
C869	UB215100	C.CE.M.CHP	0.1uF 25V
C870	UB052100	C.CE.M.CHP	100pF 50V
C871	UM388100	C.EL	100uF 10V
C872	UM416470	C.EL	4.7uF 50V
C873	UB215100	C.CE.M.CHP	0.1uF 25V
C874	UM416470	C.EL	4.7uF 50V
C875	UM416470	C.EL	4.7uF 50V
C876	UB013100	C.CE.M.CHP	1000pF 50V
C877	UB013100	C.CE.M.CHP	1000pF 50V
C890	UM398100	C.EL	100uF 16V
C891	UM398100	C.EL	100uF 16V
D800	V5820000	LED(gr)	SEL5523C
D801	V5820000	LED(gr)	SEL5523C
D802	V5820000	LED(gr)	SEL5523C
D803	VS132300	LED(re)	SLR-325VCT31

\* New Parts



## GX-707VCD P.C.B. OPERATION &amp; EFFECT

Schm Ref.	PART NO.	Description	
D804	V5402400	LED(gr)	SEL5421E
D805	V5820000	LED(gr)	SEL5523C
D806	V5820000	LED(gr)	SEL5523C
D807	V5479500	LED(or)	SELS5923C
D808	V5820000	LED(gr)	SEL5523C
D809	V5820000	LED(gr)	SEL5523C
D810	V5479500	LED(or)	SELS5923C
D811	V5820000	LED(gr)	SEL5523C
D812	V5820000	LED(gr)	SEL5523C
D813	V5479500	LED(or)	SELS5923C
D814	V5820000	LED(gr)	SEL5523C
D815	V5820000	LED(gr)	SEL5523C
D816	V5479500	LED(or)	SELS5923C
D817	V5820000	LED(gr)	SEL5523C
D818	V5820000	LED(gr)	SEL5523C
D819	V5820000	LED(gr)	SEL5523C
D820	V5820000	LED(gr)	SEL5523C
D821	V5820000	LED(gr)	SEL5523C
D822	V5820000	LED(gr)	SEL5523C
D823	V5820000	LED(gr)	SEL5523C
D824	V5820000	LED(gr)	SEL5523C
D825	V5820000	LED(gr)	SEL5523C
D826	V5910100	LED(or)	SEL5923A
D827	V5820000	LED(gr)	SEL5523C
D828	V5910100	LED(or)	SEL5923A
D829	V5820000	LED(gr)	SEL5523C
D830	V5910100	LED(or)	SEL5923A
D831	V5820000	LED(gr)	SEL5523C
D832	V5910100	LED(or)	SEL5923A
D833	V5820000	LED(gr)	SEL5523C
D834	VU992900	DIODE.ZENR	MA8056-L 5.4V
IC800	XV476A00	IC	M65853FP
IC801	XJ757A00	IC	NJM78L05A-T3
IC802	XW416A00	IC	BU2092 SER/PAR
IC803	XW059A00	IC	M66004MASP
IC804	XT952A00	IC	YSS247-D
IC805	XB247A00	IC	uPC4570HA
IC806	XB247A00	IC	uPC4570HA
IC807	XB247A00	IC	uPC4570HA
JK800	V4971300	PHONE.JACK	2P
JK801	V4971300	PHONE.JACK	2P
JK802	VT941600	JACK.MNI	SW
PN801	V3750200	PIN	L=70
PN802	V3750200	PIN	L=70
PN803	V3750200	PIN	L=70
Q800	VD303700	TR	2SC3326 A,B
Q801	VD303700	TR	2SC3326 A,B
Q802	iA093320	TR	2SA933S Q,R
Q803	iC174020	TR	2SC1740S R,S
R841	HV754330	R.CAR.FP	33Ω 1/4W
R846	HV754330	R.CAR.FP	33Ω 1/4W
R860	HV754680	R.CAR.FP	68Ω 1/4W
R866	HV754680	R.CAR.FP	68Ω 1/4W
R912	HV754220	R.CAR.FP	22Ω 1/4W
R913	HV755100	R.CAR.FP	100Ω 1/4W
R914	HV755100	R.CAR.FP	100Ω 1/4W
SW800	VG392900	SW.TACT	SKHVAA

\* New Parts

Schm Ref.	PART NO.	Description	
SW801	VG392900	SW.TACT	SKHVAA
SW802	VG392900	SW.TACT	SKHVAA
SW803	VG392900	SW.TACT	SKHVAA
SW804	VG392900	SW.TACT	SKHVAA
SW805	VG392900	SW.TACT	SKHVAA
SW806	VG392900	SW.TACT	SKHVAA
SW807	VG392900	SW.TACT	SKHVAA
SW808	VG392900	SW.TACT	SKHVAA
SW809	VG392900	SW.TACT	SKHVAA
SW810	VG392900	SW.TACT	SKHVAA
SW811	VG392900	SW.TACT	SKHVAA
SW812	VG392900	SW.TACT	SKHVAA
SW813	VG392900	SW.TACT	SKHVAA
SW814	VG392900	SW.TACT	SKHVAA
SW815	VG392900	SW.TACT	SKHVAA
SW816	VG392900	SW.TACT	SKHVAA
SW817	VG392900	SW.TACT	SKHVAA
SW818	VG392900	SW.TACT	SKHVAA
SW819	VG392900	SW.TACT	SKHVAA
SW820	VG392900	SW.TACT	SKHVAA
SW821	VG392900	SW.TACT	SKHVAA
SW822	VG392900	SW.TACT	SKHVAA
SW823	VG392900	SW.TACT	SKHVAA
SW824	VG392900	SW.TACT	SKHVAA
SW825	VG392900	SW.TACT	SKHVAA
SW826	VG392900	SW.TACT	SKHVAA
SW827	VG392900	SW.TACT	SKHVAA
SW828	VT941400	SW.RT.ENC	EC16B24304
SW829	VG392900	SW.TACT	SKHVAA
SW830	VG392900	SW.TACT	SKHVAA
SW831	VG392900	SW.TACT	SKHVAA
U800	V2856200	L.DTCT	PIC-28043TH2
V800	V2959000	FL.DSPLY	16-BT-63GK
VR800	V5089000	VR	10KΩ
VR802	V5089100	VR	50KΩ
VR804	V5089200	VR	100KΩ
	VU351500	SPACER	FL
	V3112800	FL.SHEET	
	V4003900	P.C.B.	EFFECT(RLT)
CB2	VB858700	CN.BS.PIN	8P
CB5	VQ045900	CN.BS.PIN	30P
CB6	Vi878100	CN.BS.PIN	3P
CB7	V4164300	L.EMIT	TOTX178A
CB8	VK024700	CN.BS.PIN	3P
CB301	VF728200	CN.BS.PIN	10P
C1	UR829100	C.EL	1000uF 10V
C2	UB052100	C.CE.M.CHP	100pF 50V
C3	UB052100	C.CE.M.CHP	100pF 50V
C4	UR829100	C.EL	1000uF 10V
C5	UR837100	C.EL	10uF 16V
C6	UR837100	C.EL	10uF 16V
C7	UR837100	C.EL	10uF 16V
C8	UA655100	C.MYLAR	0.1uF 50V
C9	UR847100	C.EL	10uF 25V

\* New Parts

## GX-707VCD P.C.B. EFFECT

Schm Ref.	PART NO.	Description		
C10	UR837470	C.EL	47uF	16V
C11	UA655470	C.MYLAR	0.47uF	50V
C12	UR847100	C.EL	10uF	25V
C13	UA655100	C.MYLAR	0.1uF	50V
C14	UR865470	C.EL	0.47uF	50V
C15	UR866470	C.EL	4.7uF	50V
C16	UR865470	C.EL	0.47uF	50V
C17	UR866470	C.EL	4.7uF	50V
C18	UR865220	C.EL	0.22uF	50V
C19	UR866330	C.EL	3.3uF	50V
C20	UA655150	C.MYLAR	0.15uF	50V
C21	UA655150	C.MYLAR	0.15uF	50V
C22	UR866330	C.EL	3.3uF	50V
C23	UR865220	C.EL	0.22uF	50V
C24	UR866470	C.EL	4.7uF	50V
C25	UR865470	C.EL	0.47uF	50V
C26	UR866470	C.EL	4.7uF	50V
C27	UR865470	C.EL	0.47uF	50V
C28	UA655100	C.MYLAR	0.1uF	50V
C29	UR847100	C.EL	10uF	25V
C30	UR847100	C.EL	10uF	25V
C31	UA655100	C.MYLAR	0.1uF	50V
C32	UR847100	C.EL	10uF	25V
C33	UR847100	C.EL	10uF	25V
C34	UR838220	C.EL	220uF	16V
C35	UB013100	C.CE.M.CHP	1000pF	50V
C36	UR838330	C.EL	330uF	16V
C37	UA954470	C.MYLAR	0.047uF	50V
C38	UA954220	C.MYLAR	0.022uF	50V
C39	UA952680	C.MYLAR	680pF	50V
C40	UR838220	C.EL	220uF	16V
C41	UA954820	C.MYLAR	0.082uF	50V
C42	UA953330	C.MYLAR	3300pF	50V
C43	UA954820	C.MYLAR	0.082uF	50V
C44	UR865470	C.EL	0.47uF	50V
C45	UR865330	C.EL	0.33uF	50V
C46	UR847100	C.EL	10uF	25V
C47	UR847100	C.EL	10uF	25V
C48	UR847100	C.EL	10uF	25V
C49	UR866220	C.EL	2.2uF	50V
C50	UR838220	C.EL	220uF	16V
C51	UR866470	C.EL	4.7uF	50V
C52	UA954100	C.MYLAR	0.01uF	50V
C53	UA953470	C.MYLAR	4700pF	50V
C54	UR838220	C.EL	220uF	16V
C55	UR838220	C.EL	220uF	16V
C56	UR847100	C.EL	10uF	25V
C57	UR866470	C.EL	4.7uF	50V
C58	UB052100	C.CE.M.CHP	100pF	50V
C59	UB052100	C.CE.M.CHP	100pF	50V
C60	UB052100	C.CE.M.CHP	100pF	50V
C61	UR837100	C.EL	10uF	16V
C62	UA952470	C.MYLAR	470pF	50V
C63	UR847100	C.EL	10uF	25V
C64	UA953150	C.MYLAR	1500pF	50V
C65	UA952560	C.MYLAR	560pF	50V
C66	UR837100	C.EL	10uF	16V

\* New Parts

Schm Ref.	PART NO.	Description		
C67	UB052100	C.CE.M.CHP	100pF	50V
C69	UB052100	C.CE.M.CHP	100pF	50V
C70	UR837100	C.EL	10uF	16V
C71	UR847100	C.EL	10uF	25V
C72	UR837100	C.EL	10uF	16V
C73	UB052100	C.CE.M.CHP	100pF	50V
C74	UB012220	C.CE.M.CHP	220pF	50V
C75	UB012220	C.CE.M.CHP	220pF	50V
C76	UR837100	C.EL	10uF	16V
C77	UR837100	C.EL	10uF	16V
C78	UR865220	C.EL	0.22uF	50V
C79	UR837100	C.EL	10uF	16V
C80	UR865220	C.EL	0.22uF	50V
C81	UR837100	C.EL	10uF	16V
C82	UB012220	C.CE.M.CHP	220pF	50V
C83	UB012220	C.CE.M.CHP	220pF	50V
C84	UB052100	C.CE.M.CHP	100pF	50V
C85	UR837100	C.EL	10uF	16V
C86	UB045100	C.CE.M.CHP	0.1uF	50V
C90	UR837100	C.EL	10uF	16V
C300	UB012220	C.CE.M.CHP	220pF	50V
C301	UB051220	C.CE.M.CHP	22pF	50V
C302	UB052100	C.CE.M.CHP	100pF	50V
C303	UA655220	C.MYLAR	0.22uF	50V
C304	UR847220	C.EL	22uF	25V
C305	UB045100	C.CE.M.CHP	0.1uF	50V
C306	UR867100	C.EL	10uF	50V
C307	UR828220	C.EL	220uF	10V
C308	UR867100	C.EL	10uF	50V
C309	UA954100	C.MYLAR	0.01uF	50V
C310	UA954100	C.MYLAR	0.01uF	50V
C311	UA954100	C.MYLAR	0.01uF	50V
C313	UB044100	C.CE.M.CHP	0.01uF	50V
C314	UA954100	C.MYLAR	0.01uF	50V
C315	UA953220	C.MYLAR	2200pF	50V
C316	UA953220	C.MYLAR	2200pF	50V
D300	VT332900	DIODE	1SS355	
D301	VT332900	DIODE	1SS355	
D302	VU992300	DIODE.ZENR	MA8047-H	4.9V
D303	VT332900	DIODE	1SS355	
IC1	XH436A00	IC	LA7956	
IC2	iG054600	IC	HD14053BP	MPX
IC5	XV873A00	IC	LV1035M	
IC7	XB247A00	IC	uPC4570HA	
IC8	XB247A00	IC	uPC4570HA	
IC9	XB247A00	IC	uPC4570HA	
IC10	XS884A00	IC	LC7536Y	
IC11	XV466A00	IC	LM1875T	POWER
L1	VD473700	COIL	60uH	
L2	VU038100	COIL	1.5uH	
L3	VU038100	COIL	1.5uH	
PJ1	VV307100	JACK.PIN	4P	
Q1	iC181510	TR	2SC1815 Y	
Q2	iC181510	TR	2SC1815 Y	
Q3	iC174020	TR	2SC1740S R,S	
Q4	VG722000	TR.DGT	DTC144ES	
Q5	VG722000	TR.DGT	DTC144ES	

\* New Parts

## GX-707VCD P.C.B. EFFECT &amp; TUNER

Schm Ref.	PART NO.	Description		
Q7	iC287820	TR	2SC2878 A,B	
R13	HV753220	R.CAR.FP	2.2Ω	1/4W
R27	HV754220	R.CAR.FP	22Ω	1/4W
R37	HV754220	R.CAR.FP	22Ω	1/4W
R43	HV754220	R.CAR.FP	22Ω	1/4W
R44	HV754220	R.CAR.FP	22Ω	1/4W
R303	HV753680	R.CAR.FP	6.8Ω	1/4W
R305	HV754470	R.CAR.FP	47Ω	1/4W
R307	HV753220	R.CAR.FP	2.2Ω	1/4W
R310	HV753470	R.CAR.FP	4.7Ω	1/4W
R311	HV754100	R.CAR.FP	10Ω	1/4W
R312	HV753220	R.CAR.FP	2.2Ω	1/4W
R314	HV753220	R.CAR.FP	2.2Ω	1/4W
RY1	VU161600	RELAY	DC OSA-SS-224DM3	
TE1	VU900200	TERM.SP	6P	
XL1	VJ802400	RSNR.CE	8MHz	
	V3750100	PIN	L=50	
	BB071360	SCR.TERM	8.3x13	
	V4000200	P.C.B./CHP	TUNER/TU-02(RT)	
	V4000500	P.C.B./CHP	TUNER/TU-02(L)	
CB1	VQ961400	CN.BS.PIN	11P	
C1	UB044100	C.CE.M.CHP	0.01uF	50V
C2	UR838100	C.EL	100uF	16V
C3	UB044100	C.CE.M.CHP	0.01uF	50V
C4	UR865220	C.EL	0.22uF	50V
C5	UB044100	C.CE.M.CHP	0.01uF	50V
C6	UB044100	C.CE.M.CHP	0.01uF	50V
C7	UB044100	C.CE.M.CHP	0.01uF	50V
C8	UB044100	C.CE.M.CHP	0.01uF	50V
C9	UB044470	C.CE.M.CHP	0.047uF	50V
C10	VA760500	C.CE	8pF	50V
C11	UR837100	C.EL	10uF	16V
C12	UB044100	C.CE.M.CHP	0.01uF	50V
C13	UR837470	C.EL	47uF	16V
C14	UB044470	C.CE.M.CHP	0.047uF	50V
C15	UB044100	C.CE.M.CHP	0.01uF	50V
C16	UB044470	C.CE.M.CHP	0.047uF	50V
C17	UR866100	C.EL	1uF	50V
C18	UR865470	C.EL	0.47uF	50V
C19	UR866100	C.EL	1uF	50V
C20	UR866100	C.EL	1uF	50V
C21	UB045100	C.CE.M.CHP	0.1uF	50V
C22	UB044470	C.CE.M.CHP	0.047uF	50V
C23	UR866220	C.EL	2.2uF	50V
C24	UR837330	C.EL	33uF	16V
C25	UB044470	C.CE.M.CHP	0.047uF	50V
C26	UR866330	C.EL	3.3uF	50V
C27	UB044470	C.CE.M.CHP	0.047uF	50V
C28	UR837220	C.EL	22uF	25V
C29	UB014270	C.CE.M.CHP	0.027uF	50V
C30	UB012680	C.CE.M.CHP	680pF	50V
C31	UR837100	C.EL	10uF	16V
C32	UA654430	C.MYLAR	0.043uF	50V(RT)
C32	UA954270	C.MYLAR	0.027uF	50V(L)

\* New Parts

Schm Ref.	PART NO.	Description		
C33	UA654430	C.MYLAR	0.043uF	50V(RT)
C33	UA954270	C.MYLAR	0.027uF	50V(L)
C34	UR837100	C.EL	10uF	16V
C35	UR837100	C.EL	10uF	16V
C36	UR866470	C.EL	4.7uF	50V
C37	UR866470	C.EL	4.7uF	50V
C38	UB013270	C.CE.M.CHP	2700pF	50V
C39	UB013270	C.CE.M.CHP	2700pF	50V
C40	UB044100	C.CE.M.CHP	0.01uF	50V
C41	UR837100	C.EL	10uF	16V
C57	UR817470	C.EL	47uF	6.3V
C58	UR817470	C.EL	47uF	6.3V
C59	UR838100	C.EL	100uF	16V
C60	UB052100	C.CE.M.CHP	100pF	50V
C61	UR866100	C.EL	1uF	50V
C62	UR837100	C.EL	10uF	16V
C63	VJ899500	C.CE.M.CHP	10pF	50V
C64	VJ899500	C.CE.M.CHP	10pF	50V
C65	UB052100	C.CE.M.CHP	100pF	50V
D1	VU995000	DIODE.ZENR	MA8091-M 9.1V	
D2	VT332900	DIODE	1SS355	
D3	VT332900	DIODE	1SS355	
D4	VT332900	DIODE	1SS355	
D5	VU993000	DIODE.ZENR	MA8056-M 5.6V	
D11	VU995400	DIODE.ZENR	MA8100-M 10V	
IC1	XV228A00	IC	LA1838 FM,AM IF	
IC2	XV229A00	IC	LC72131M	
L1	GG000560	FLTR.CE	SFE10.7MS3GHY-A	
L2	GG000560	FLTR.CE	SFE10.7MS3GHY-A	
L3	VU887900	COIL	10uH	
L4	VU434500	FLTR.CE	450K PCFMT-049A	
L5	VR888000	FLTR.LC	19KHz	
L6	VR888000	FLTR.LC	19KHz	
PK1	V4299000	TUNER.FM	TFFJ2U584A	
PK2	VU333700	COIL.RF.AM	940536051A	
Q1	iC053540	TR	2SC535 A,B,C	
Q2	VD678500	TR.DGT	DTA114ES	
Q3	iC181510	TR	2SC1815 Y	
R1	HV755150	R.CAR.FP	150Ω	1/4W
R3	HV755220	R.CAR.FP	220Ω	1/4W
R17	VV901100	R.MTL.OXD	120Ω	1W
R40	HV755680	R.CAR.FP	680Ω	1/4W
TE1	VU477800	TERM.ANT	AJ-2038-040	
XL1	V5348600	FLTR.CE	CDA10.7MG79AH-A	
XL2	VY734600	RSNR.CRY5	7.2MHz	
	BB071360	SCR.TERM	8.3x13	

\* New Parts

<b>CHIP RESISTOR</b>
----------------------

Schm Ref.	PART NO.	Description		
	RD250000	R.CAR.CHP	0Ω	1/10W
	RD253100	R.CAR.CHP	1Ω	1/10W
	RD253220	R.CAR.CHP	2.2Ω	1/10W
	RD253470	R.CAR.CHP	4.7Ω	1/10W
	RD254100	R.CAR.CHP	10Ω	1/10W
	RD254330	R.CAR.CHP	33Ω	1/10W
	RD254470	R.CAR.CHP	47Ω	1/10W
	RD254510	R.CAR.CHP	51Ω	1/10W
	RD254750	R.CAR.CHP	75Ω	1/10W
	RD255100	R.CAR.CHP	100Ω	1/10W
	RD255120	R.CAR.CHP	120Ω	1/10W
	RD255220	R.CAR.CHP	220Ω	1/10W
	RD255270	R.CAR.CHP	270Ω	1/10W
	RD255300	R.CAR.CHP	300Ω	1/10W
	RD255330	R.CAR.CHP	330Ω	1/10W
	RD255360	R.CAR.CHP	360Ω	1/10W
	RD255430	R.CAR.CHP	430Ω	1/10W
	RD255470	R.CAR.CHP	470Ω	1/10W
	RD255510	R.CAR.CHP	510Ω	1/10W
	RD255560	R.CAR.CHP	560Ω	1/10W
	RD255620	R.CAR.CHP	620Ω	1/10W
	RD255680	R.CAR.CHP	680Ω	1/10W
	RD256100	R.CAR.CHP	1KΩ	1/10W
	RD256120	R.CAR.CHP	1.2KΩ	1/10W
	RD256160	R.CAR.CHP	1.6KΩ	1/10W
	RD256180	R.CAR.CHP	1.8KΩ	1/10W
	RD256200	R.CAR.CHP	2KΩ	1/10W
	RD256220	R.CAR.CHP	2.2KΩ	1/10W
	RD256240	R.CAR.CHP	2.4KΩ	1/10W
	RD256270	R.CAR.CHP	2.7KΩ	1/10W
	RD256300	R.CAR.CHP	3KΩ	1/10W
	RD256330	R.CAR.CHP	3.3KΩ	1/10W
	RD256390	R.CAR.CHP	3.9KΩ	1/10W
	RD256430	R.CAR.CHP	4.3KΩ	1/10W
	RD256470	R.CAR.CHP	4.7KΩ	1/10W
	RD256510	R.CAR.CHP	5.1KΩ	1/10W
	RD256560	R.CAR.CHP	5.6KΩ	1/10W
	RD256620	R.CAR.CHP	6.2KΩ	1/10W
	RD256680	R.CAR.CHP	6.8KΩ	1/10W
	RD256820	R.CAR.CHP	8.2KΩ	1/10W
	RD256910	R.CAR.CHP	9.1KΩ	1/10W
	RD257100	R.CAR.CHP	10KΩ	1/10W
	RD257120	R.CAR.CHP	12KΩ	1/10W
	RD257150	R.CAR.CHP	15KΩ	1/10W
	RD257180	R.CAR.CHP	18KΩ	1/10W
	RD257200	R.CAR.CHP	20KΩ	1/10W
	RD257220	R.CAR.CHP	22KΩ	1/10W
	RD257270	R.CAR.CHP	27KΩ	1/10W
	RD257300	R.CAR.CHP	30KΩ	1/10W
	RD257330	R.CAR.CHP	33KΩ	1/10W
	RD257390	R.CAR.CHP	39KΩ	1/10W
	RD257430	R.CAR.CHP	43KΩ	1/10W
	RD257470	R.CAR.CHP	47KΩ	1/10W
	RD257510	R.CAR.CHP	51KΩ	1/10W
	RD257560	R.CAR.CHP	56KΩ	1/10W
	RD257680	R.CAR.CHP	68KΩ	1/10W
	RD257750	R.CAR.CHP	75KΩ	1/10W

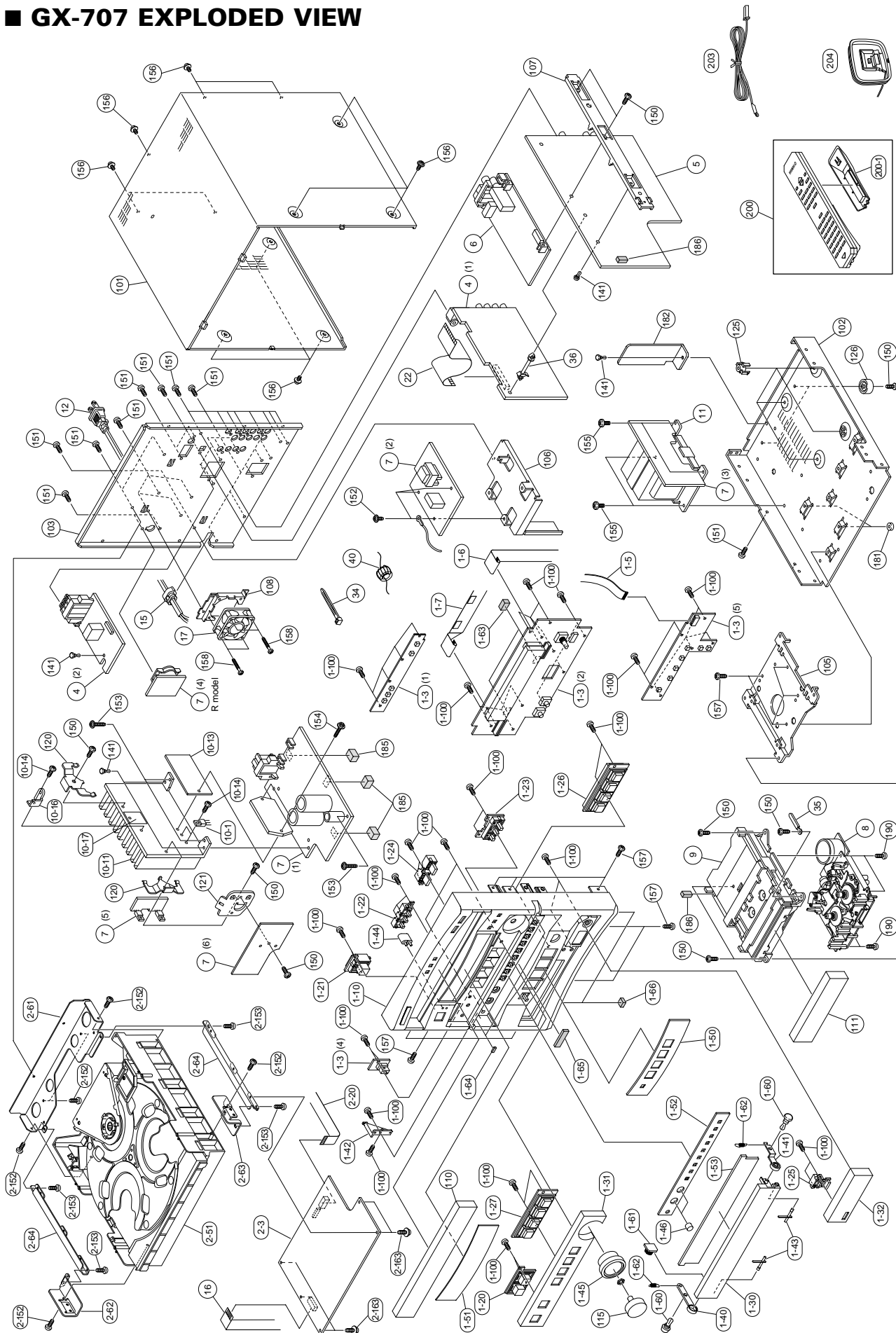
\* New Parts

Schm Ref.	PART NO.	Description		
	RD257820	R.CAR.CHP	82KΩ	1/10W
	RD258100	R.CAR.CHP	100KΩ	1/10W
	RD258120	R.CAR.CHP	120KΩ	1/10W
	RD258150	R.CAR.CHP	150KΩ	1/10W
	RD258180	R.CAR.CHP	180KΩ	1/10W
	RD258220	R.CAR.CHP	220KΩ	1/10W
	RD258470	R.CAR.CHP	470KΩ	1/10W
	RD259100	R.CAR.CHP	1MΩ	1/10W
	RD259220	R.CAR.CHP	2.2MΩ	1/10W
	RD259750	R.CAR.CHP	7.5MΩ	1/10W

\* New Parts

GX-707/GX-707VCD

■ GX-707 EXPLODED VIEW



## ■ GX-707 MECHANICAL PARTS

Ref. No.	PART NO.	Description	Remarks	Markets
* 1-3	V5502100	P.C.B. ASS'Y	OPERATION	
1-5	MF112120	FLEXIBLE FLAT CABLE	12P 120mm	
* 1-6	MF120250	FLEXIBLE FLAT CABLE	20P 250mm	
* 1-7	MF125400	FLEXIBLE FLAT CABLE	25P 400mm	
* 1-10	V5189300	FRONT PANEL		
* 1-20	V5186100	BUTTON	INPUT	
* 1-21	V5187300	BUTTON	1P	
* 1-22	V5186700	BUTTON	3P-CD	
* 1-23	V5188100	BUTTON	3P-OPE	
* 1-24	V5187200	BUTTON	2P-CD	
* 1-25	V5186900	BUTTON	EJ	
* 1-26	V5209100	BUTTON	DECK	
* 1-27	V5209200	BUTTON	CD	
* 1-30	V5188700	LID	PANEL	
* 1-31	V5189000	LID	OPE	(UCRA)
* 1-31	V5189100	LID	OPE-RDS	(BG)
* 1-32	V5188200	LID	1H	
* 1-40	V5185400	HOLDER	LID-L	
* 1-41	V5185500	HOLDER	LID-R	
* 1-42	V5185600	SUPPORT	LID	
* 1-43	V5185700	GUIDE	LID	
* 1-44	V5185900	LENS	2P	
* 1-45	V5186000	ESCUTCHEON	VOL	
* 1-46	V5186200	KNOB	ED	
* 1-50	V5186300	WINDOW	DECK	
* 1-51	V5186500	WINDOW	FL	
* 1-52	V5187000	PLATE	SP	(UCRA)
* 1-52	V5187100	PLATE	SP-RDS	(BG)
* 1-53	V5187500	SHEET		
* 1-60	V5189800	PUSH RIVET	P5070SRB	
* 1-61	V5189900	ROTARY DAMPERS	DPL-001-B150B	
* 1-62	V5189600	SPRING	D5.5E	
1-63	VV499900	SPACER	FL-T7.5	
1-64	VQ122400	CUSHION, TOP		
1-65	VS936900	DAMPER	2x10x30	
1-66	VS010000	CUSHION, LEG		
1-100	VF617600	PAN HEAD P-TITE SCREW	2.6x8 FCRM3-BL	
* 2-3	V5503100	P.C.B. ASS'Y	CD	
2-20	MF113250	FLEXIBLE FLAT CABLE	13P 250mm	
* 2-51	V5256400	CDC MECH. UNIT	MGC-E9007	
* 2-61	V5187400	FRAME	CD-REAR	
* 2-62	V5184800	FRAME	CD-L	
* 2-63	V5184900	FRAME	CD-R	
* 2-64	V5185100	FRAME	CD-SIDE	
2-152	EP630220	BIND HEAD P-TITE SCREW	3x8 ZMC2-BL	
2-153	EP600130	BIND HEAD B-TITE SCREW	3x6 ZMC2-Y	
2-163	VT669300	PW HEAD B-TITE SCREW	3x8-8 MFC2	
4	V4003800	P.C.B. ASS'Y	EFFECT	
* 5	V5500700	P.C.B. ASS'Y	INPUT	(UC)
* 5	V5500800	P.C.B. ASS'Y	INPUT	(R)
* 5	V5500900	P.C.B. ASS'Y	INPUT	(A)
* 5	V5501000	P.C.B. ASS'Y	INPUT	(BG)
6	V4000200	P.C.B. ASS'Y	TUNER/TU-02	(UCR)

\* New Parts

Ref. No.	PART NO.	Description	Remarks	Markets
6	V4000300	P.C.B. ASS'Y	TUNER/TU-02	(A)
6	V4000400	P.C.B. ASS'Y	TUNER/TU-02	(BG)
7	V4001300	P.C.B. ASS'Y	MAIN	(UC)
7	V4001400	P.C.B. ASS'Y	MAIN	(R)
7	V4001500	P.C.B. ASS'Y	MAIN	(ABG)
8	AAX07650	CASSETTE DECK MECH. UNIT		
9	AAX07660	LOADING UNIT		
△# 10-1	VR510800	TRANSISTOR	2SD2396 J,K	Q204,218
10-11	V3621800	HEAT SINK		
10-13	V3542000	RADIATION SHEET	61x90 TBM-51W	
10-14	EP600830	BIND HEAD B-TITE SCREW	3x8 FCRM3-BL	
10-16	VU555400	SUPPORT, HSP		
10-17	VV849300	SHEET	19x24	
△ 11	XW019A00	POWER TRANSFORMER		(UC)
△ 11	XW020A00	POWER TRANSFORMER		(R)
△ 11	XW021A00	POWER TRANSFORMER		(A)
△ 11	XW022A00	POWER TRANSFORMER		(BG)
△ 12	V2296800	POWER CORD ASS'Y		(A)
△ 12	V2363800	POWER CORD ASS'Y		(UC)
△ 12	VN363700	POWER CORD ASS'Y		(G)
△ 12	VV437300	POWER CORD ASS'Y		(B)
△ 12	VZ542500	POWER CORD ASS'Y		(R)
15	V2438700	CORD STOPPER	10P1	
16	MF115300	FLEXIBLE FLAT CABLE C&C	15P 300mm	
17	V3316600	DC BRUSHLESS FAN	2410ML-05W-B40-T14	
22	MF130070	FLEXIBLE FLAT CABLE	30P 70mm	
34	VU590000	BINDING TIE	CBTD001B	
35	CB836200	BINDING TIE	S-70B	
36	V3263100	SUPPORT, P.C.B.	2P85	
40	VB933800	FERRITE CORE	BP53RB310190NOA	(BG)
* 101	V5189500	TOP COVER		
102	V3104200	CHASSIS, MAIN		
* 103	V5190600	REAR PANEL		(UC)
* 103	V5190700	REAR PANEL		(R)
* 103	V5190800	REAR PANEL		(A)
* 103	V5190900	REAR PANEL		(BG)
105	V3107000	CHASSIS, CASSETTE		
106	V3107100	FRAME, TRANSFORMER		
107	V3107400	FRAME, SIDE		
108	VV194200	FRAME	FAN	
* 110	V5187900	LID	CD	
* 111	V5187800	LID	DECK	
* 115	V5186600	KNOB	D33	
120	V2847700	SUPPORT, IC		
121	V3737600	SUPPORT, PWB		
125	VR264400	SPACER	H8	
126	VS009900	LEG	22x12.5	
141	VQ368600	PUSH RIVET	P3555-B	
150	EP600830	BIND HEAD B-TITE SCREW	3x8 FCRM3-BL	
151	VN413300	BIND HEAD BONDING B-T. SCREW	3x8 MFZN2-BL	
152	VT669300	PW HEAD B-TITE SCREW	3x8-8 MFC2	
153	VT669400	PW HEAD B-TITE SCREW	3x15-8 MFC2	
154	VK865300	HEX. HEAD TAP. SCREW WITH WS	3x18 FCRM3-BL	

\* New Parts

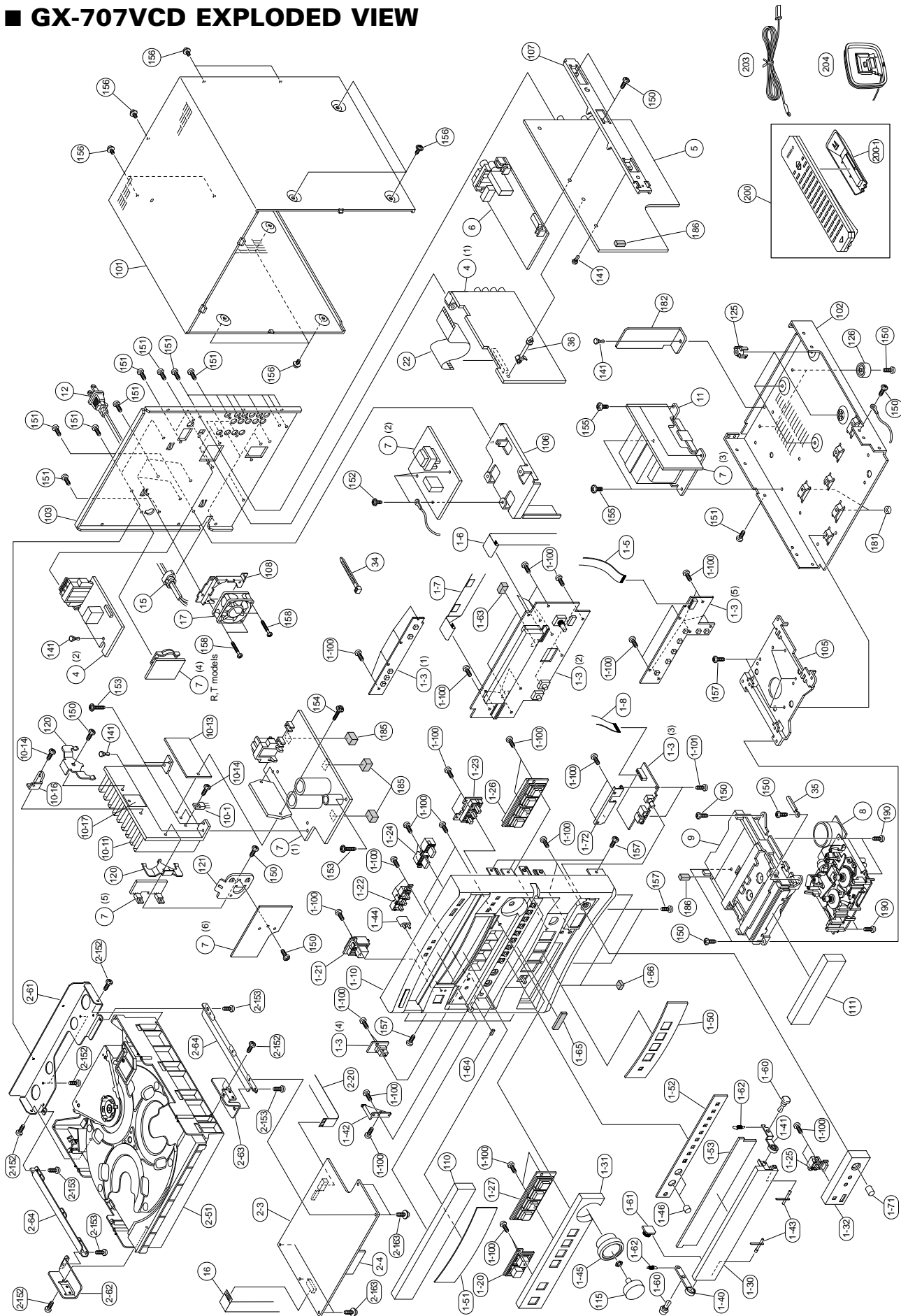
Ref. No.	PART NO.	Description	Remarks	Markets
155	V2728500	BIND HEAD S-TITE SCREW	4x7 MFZN2-BL	
* 156	V5633800	TAPPING B-TITE SCREW	3x6-8 MFNI33	
157	EP600130	BIND HEAD B-TITE SCREW	3x6 ZMC2-Y	
158	VV220300	BIND HEAD B-TITE SCREW	3x30 MFZN2-BL	
181	V4095100	PAD	SCREW	
182	V4175200	SHEET, REAR		(RBG)
185	V2879500	SPACER PCB-M		
186	VS936800	DAMPER	3x5x10	
190	EP600290	BIND HEAD P-TITE SCREW	3x6 ZMC2-Y	
		ACCESSORIES		
* 200	V5248600	REMOTE CONTROL TRANSMITTER	RC-7060-01-0008	
* 200-1	AAX14020	LID	GRYJYE	60050007
203	VQ147100	ANTENNA, FM	1.4m	
204	VR248500	ANTENNA, AM LOOP	1.0m	
		BATTERY, MANGANESE	SUM-3,AA,R06	

\* New Parts



GX-707/GX-707VCD

1 ■ GX-707VCD EXPLODED VIEW



## ■ GX-707VCD MECHANICAL PARTS

Ref. No.	PART NO.	Description	Remarks	Markets
* 1-3	V5502200	P.C.B. ASS'Y	OPERATION	
1-5	MF112120	FLEXIBLE FLAT CABLE	12P 120mm	
1-6	MF120250	FLEXIBLE FLAT CABLE	20P 250mm	
1-7	MF125400	FLEXIBLE FLAT CABLE	25P 400mm	
1-8	MF115200	FLEXIBLE FLAT CABLE	15P 200mm	
* 1-10	V5189300	FRONT PANEL		
1-20	V5186100	BUTTON	INPUT	
* 1-21	V5187300	BUTTON	1P	
* 1-22	V5186700	BUTTON	3P-CD	
* 1-23	V5188100	BUTTON	3P-OPE	
* 1-24	V5187200	BUTTON	2P-CD	
* 1-25	V5186800	BUTTON	EJ	
* 1-26	V5209100	BUTTON	DECK	
* 1-27	V5209200	BUTTON	CD	
* 1-30	V5188900	LID	PANEL	
* 1-31	V5189000	LID	OPE	
* 1-32	V5188300	LID	5H	
* 1-40	V5185400	HOLDER	LID-L	
* 1-41	V5185500	HOLDER	LID-R	
* 1-42	V5185600	SUPPORT	LID	
* 1-43	V5185700	GUIDE	LID	
* 1-44	V5185900	LENS	2P	
* 1-45	V5186000	ESCUTCHEON	VOL	
* 1-46	V5186200	KNOB	ED	
* 1-50	V5186300	WINDOW	DECK	
* 1-51	V5186500	WINDOW	FL	
* 1-52	V5187000	PLATE	SP	
* 1-53	V5187500	SHEET		
* 1-60	V5189800	PUSH RIVET	P5070SRB	
* 1-61	V5189900	ROTARY DAMPERS	DPL-001-B150B	
* 1-62	V5189600	SPRING	D5.5E	
1-63	VV499900	SPACER	FL-T7.5	
1-64	VQ122400	CUSHION, TOP		
1-65	VS936900	DAMPER	2x10x30	
1-66	VS010000	CUSHION, LEG		
1-71	V3687800	KNOB	D10	
1-72	V5185300	SUPPORT, PCB		
1-100	VF617600	PAN HEAD P-TITE SCREW	2.6x8 FCRM3-BL	
1-101	EP600130	BIND HEAD B-TITE SCREW	3x6 ZMC2-Y	
* 2-3	V5503200	P.C.B. ASS'Y	VCD	
2-4	VZ150200	VCD MODULE	RD-DVK020	
2-20	MF113250	FLEXIBLE FLAT CABLE	13P 250mm	
* 2-51	V5256400	CDC MECH. UNIT	MGC-E9007	
* 2-61	V5187400	FRAME	CD-REAR	
* 2-62	V5184800	FRAME	CD-L	
* 2-63	V5184900	FRAME	CD-R	
* 2-64	V5185100	FRAME	CD-SIDE	
2-152	EP630220	BIND HEAD P-TITE SCREW	3x8 ZMC2-BL	
2-153	EP600130	BIND HEAD B-TITE SCREW	3x6 ZMC2-Y	
2-163	VT669300	PW HEAD B-TITE SCREW	3x8-8 MFC2	
4	V4003900	P.C.B. ASS'Y	EFFECT	
* 5	V5501100	P.C.B. ASS'Y	INPUT	(RT)
* 5	V5501200	P.C.B. ASS'Y	INPUT	(L)

\* New Parts

GX-707VCD

Ref. No.	PART NO.	Description	Remarks	Markets
6	V4000200	P.C.B. ASS'Y	TUNER/TU-02	(RT)
6	V4000500	P.C.B. ASS'Y	TUNER/TU-02	(L)
7	V4266600	P.C.B. ASS'Y	MAIN	(RT)
7	V4266700	P.C.B. ASS'Y	MAIN	(L)
8	AAX07650	CASSETTE DECK MECH. UNIT		
9	AAX07660	LOADING UNIT		
△# 10-1	VR510800	TRANSISTOR	2SD2396 J,K	Q204,Q218
10-11	V3621800	HEAT SINK		
10-13	V3542000	RADIATION SHEET	61x90 TBM-51W	
10-14	EP600830	BIND HEAD B-TITE SCREW	3x8 FCRM3-BL	
10-16	VU555400	SUPPORT, HSP		
10-17	VV849300	SHEET	19x24	
△ 11	XW020A00	POWER TRANSFORMER		(RT)
△ 11	XW022A00	POWER TRANSFORMER		(L)
△ 12	VN363700	POWER CORD ASS'Y		(L)
△ 12	VZ542500	POWER CORD ASS'Y		(RT)
15	V2438700	CORD STOPPER	10P1	
16	MF115300	FLEXIBLE FLAT CABLE C&C	15P 300mm	
17	V3316600	DC BRUSHLESS FAN	2410ML-05W-B40-T14	
22	MF130070	FLEXIBLE FLAT CABLE	30P 70mm	
34	VU590000	BINDING TIE	CBTD001B	
35	CB836200	BINDING TIE	S-70B	
36	V3263100	SUPPORT, P.C.B.	2P85	
101	V5189500	TOP COVER		
102	V3104200	CHASSIS, MAIN		
* 103	V5191000	REAR PANEL		(RT)
* 103	V5191100	REAR PANEL		(L)
105	V3107000	CHASSIS, CASSETTE		
106	V3107100	FRAME, TRANSFORMER		
107	V3107400	FRAME, SIDE		
108	VV194200	FRAME	FAN	
* 110	V5188000	LID	CD	
* 111	V5187800	LID	DECK	
* 115	V5186600	KNOB	D33	
120	V2847700	SUPPORT, IC		
121	V3737600	SUPPORT, PWB		
125	VR264400	SPACER	H8	
126	VS009900	LEG	22x12.5	
141	VQ368600	PUSH RIVET	P3555-B	
150	EP600830	BIND HEAD B-TITE SCREW	3x8 FCRM3-BL	
151	VN413300	BIND HEAD BONDING B-T. SCREW	3x8 MFZN2-BL	
152	VT669300	PW HEAD B-TITE SCREW	3x8-8 MFC2	
153	VT669400	PW HEAD B-TITE SCREW	3x15-8 MFC2	
154	VK865300	HEX. HEAD TAP. SCREW WITH WS	3x18 FCRM3-BL	
155	V2728500	BIND HEAD S-TITE SCREW	4x7 MFZN2-BL	
* 156	V5633800	TAPPING B-TITE SCREW	3x6-8 MFNI33	
157	EP600130	BIND HEAD B-TITE SCREW	3x6 ZMC2-Y	
158	VV220300	BIND HEAD B-TITE SCREW	3x30 MFZN2-BL	
181	V4095100	PAD	SCREW	
182	V4175200	SHEET, REAR		
185	V2879500	SPACER PCB-M		
186	VS936800	DAMPER	3x5x10	
190	EP600290	BIND HEAD P-TITE SCREW	3x6 ZMC2-Y	

\* New Parts

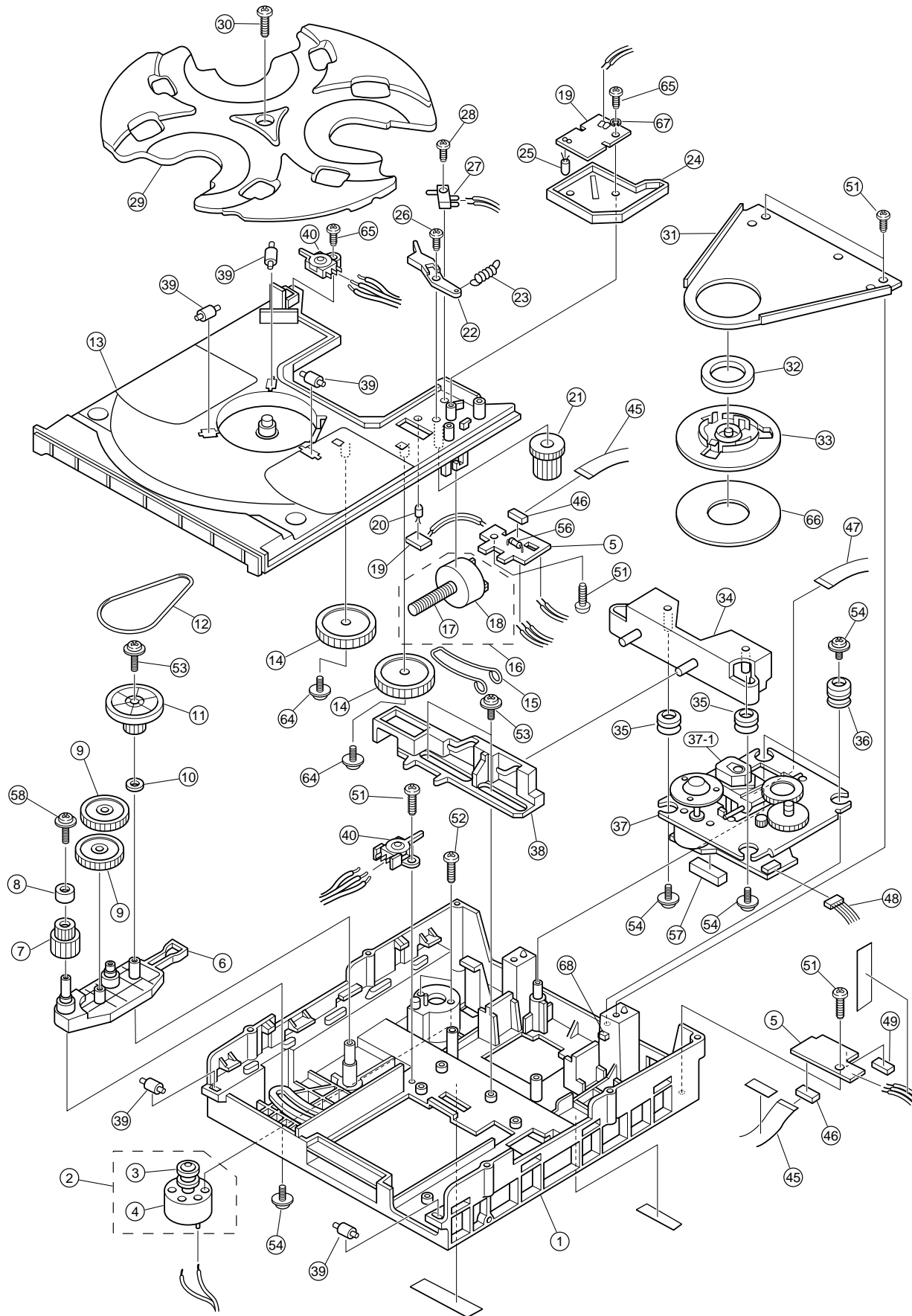
Ref. No.	PART NO.	Description	Remarks	Markets
		ACCESSORIES		
* 200	V5248700	REMOTE CONTROL TRANSMITTER	RC-7060-01-0010	
* 200-1	AAX14020	LID	GRYJYE	60050007
203	VQ147100	ANTENNA, FM	1.4m	
204	VR248500	ANTENNA, AM LOOP	1.0m	
		BATTERY, MANGANESE	SUM-3,AA,R06	

GX-707/VCD

\* New Parts

## GX-707/GX-707VCD

# 1 ■ EXPLODED VIEW (CD Mechanism Unit)



## MECHANICAL PARTS (CD Mechanism Unit)

Ref. No.	PART NO.	Description	Remarks	Markets
*	V5256400	CDC MECH. UNIT	MGC-E9007	
* 1	AAX14200	CHASSIS		E9A3001
* 2	AAX14420	MOTOR ASS'Y	LD	E9D9013
* 3	AAX14460	MOTOR PULLEY	D	ND3041
4	JX601680	MOTOR	MNN-6F1LBOK	91433136
* 5	AAX14060	P.C.B. ASS'Y	CONNECTOR	E9B9016
* 6	AAX14340	FRICTION ARM		E9C3007
* 7	AAX14110	GEAR, LOAD		E9D3011
* 8	AAX14070	COLLAR, LOAD		E9D2001
* 9	AAX14090	GEAR(A)		E9D3010
* 10	AAX14400	POLY WASHER	10x6, 4x0.8	W10001
* 11	AAX14100	GEAR, PULLEY		E9C3008
* 12	AAX14260	DRIVE BELT		E9D4001
* 13	AAX14240	TRAY, SLIDE		E9A3002
14	CX679310	GEAR, IDLER		C3D3008
* 15	AAX14210	SPRING, MOTOR(B)		E9D6003
* 16	AAX14430	MOTOR ASS'Y	TR	E9D9014
17	CX679320	GEAR, WORM		C3D3007
18	JX601670	MOTOR	RF-500TB-12560	91300130
* 19	AAX14050	P.C.B. ASS'Y	OPTICAL SENSOR	E9B9015
* 20	AAX14040	LED	SIR-34ST3F	99518209
21	CX679350	GEAR, HELICAL		C3D3017
* 22	AAX14500	LOCK ARM		E9D3013
23	EX603470	SPRING, BRAKE		C3D6014
* 24	AAX14230	SENSOR GUIDE		E9C3012
* 25	AAX14350	PHOTO TRANSISTOR	RPT-38PB3F	99518076
26	XX710010	SCREW(SUB-L)		E6D8011
27	XX702390	PUSH SWITCH	SPPB12	S331022
* 28	Ei020086	BIND HEAD TAPPING SCREW	M2x8	N230003
* 29	AAX14250	TRAY,ROTARY		E9A3003
30	EX603600	SCREW (F)		C3D8010
* 31	AAX14380	BRACKET, CLAMP		E9D1001
* 32	AAX14410	MAGNET		T990613
* 33	AAX14150	CLAMPER		E9B3005
* 34	AAX14390	TU HOLDER		E9D3009
35	XX699100	INSULATOR	BLUE 37	J021174
36	XX699110	INSULATOR	GREEN 25	J021175
37	XX699280	TRAVERSE UNIT	KCTB1H	D401500
37- 1	XX699310	PICK UP	KCP1H	T250050
* 38	AAX14220	SLIDER, CAM		E9C3006
39	AX623940	ROLLER, TRAY		C3D3015
* 40	AAX14490	LEVER SWITCH	SSS-23-3	94019118
* 45	AAX14370	FLAT WIRE	9P	E9D9012
* 46	AAX14170	CONNECTOR	9P	99552195
* 47	AAX14360	FLAT WIRE	16P	E9D9011
* 48	AAX14180	CONNECTOR	6P	E9D9033
* 49	AAX14160	CONNECTOR		99552194
* 51	AAX14300	BIND HEAD TAPPING SCREW		N230001
52	EX603590	SCREW (E)		C3D8009
* 53	XX710070	SCREW (A2)		E1D8012
54	XX699270	TAP TITE SCREW	2.6x6	N093359
* 56	AAX14530	RESISTOR	330Ω	RD14BB2C3
* 57	XX710060	CUSHION		E1D8007

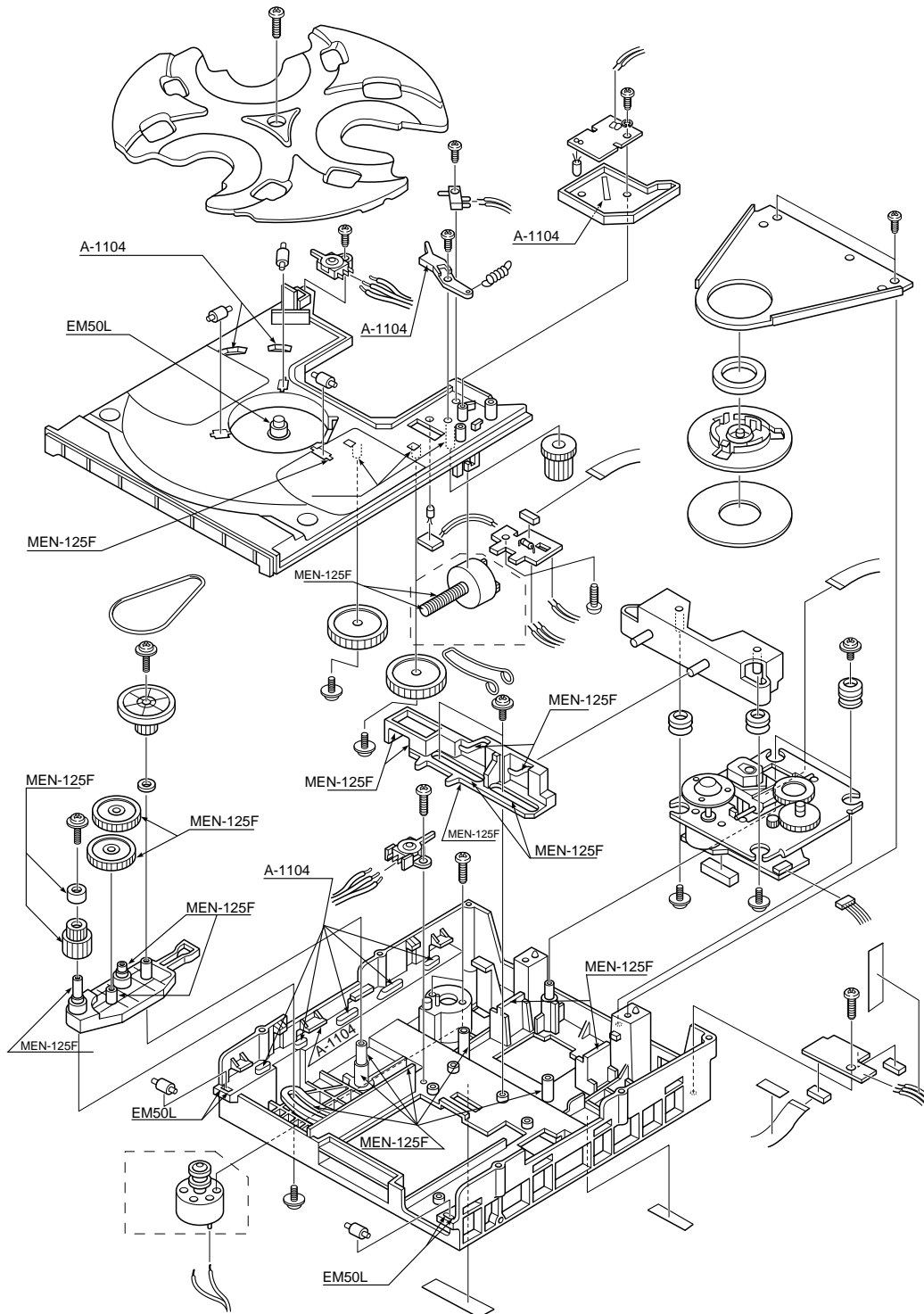
\* New Parts

GX-707/MCD

Ref. No.	PART NO.	Description	Remarks	Markets
* 58	AAX14290	SCREW (A)		E9D8006
* 64	AAX14280	SCREW (J)		C3D8028
* 65	AAX14310	BIND HEAD TAPPING SCREW	M2.6x14	N230011
* 66	AAX14140	CUSHION SHEET		E9D8008
* 67	AAX14330	SPRING WASHER	SW2.6	W90005
* 68	AAX14190	SUPPORT BLOCK		E9D8013

\* New Parts

## GREASE APPLICATION DIAGRAM (CD Mechanism)



### ● Grease to be supplied

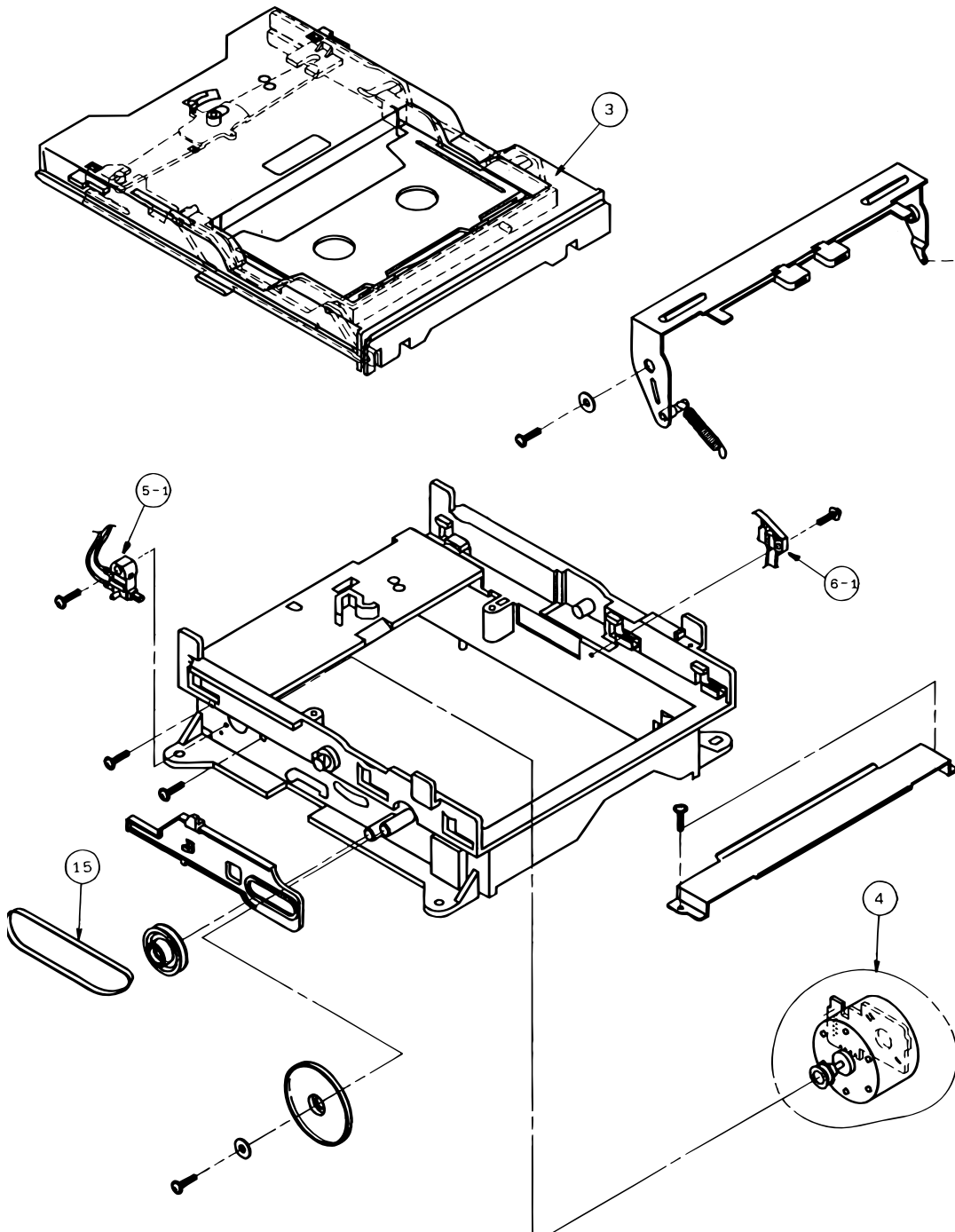
The same grease as that originally used is not available, but a substitute grease is supplied instead. When using this grease, however, make sure to wipe off the attached grease thoroughly before applying the new one.

Grease originally used	Grease to be supplied	
MEN-125F	FLOIL G-351	P/NO. TX913160
A-1104	E PASETE	P/NO. TX913420
EM50L	FLOIL G-351	P/NO. TX913160



## GX-707/GX-707VCD

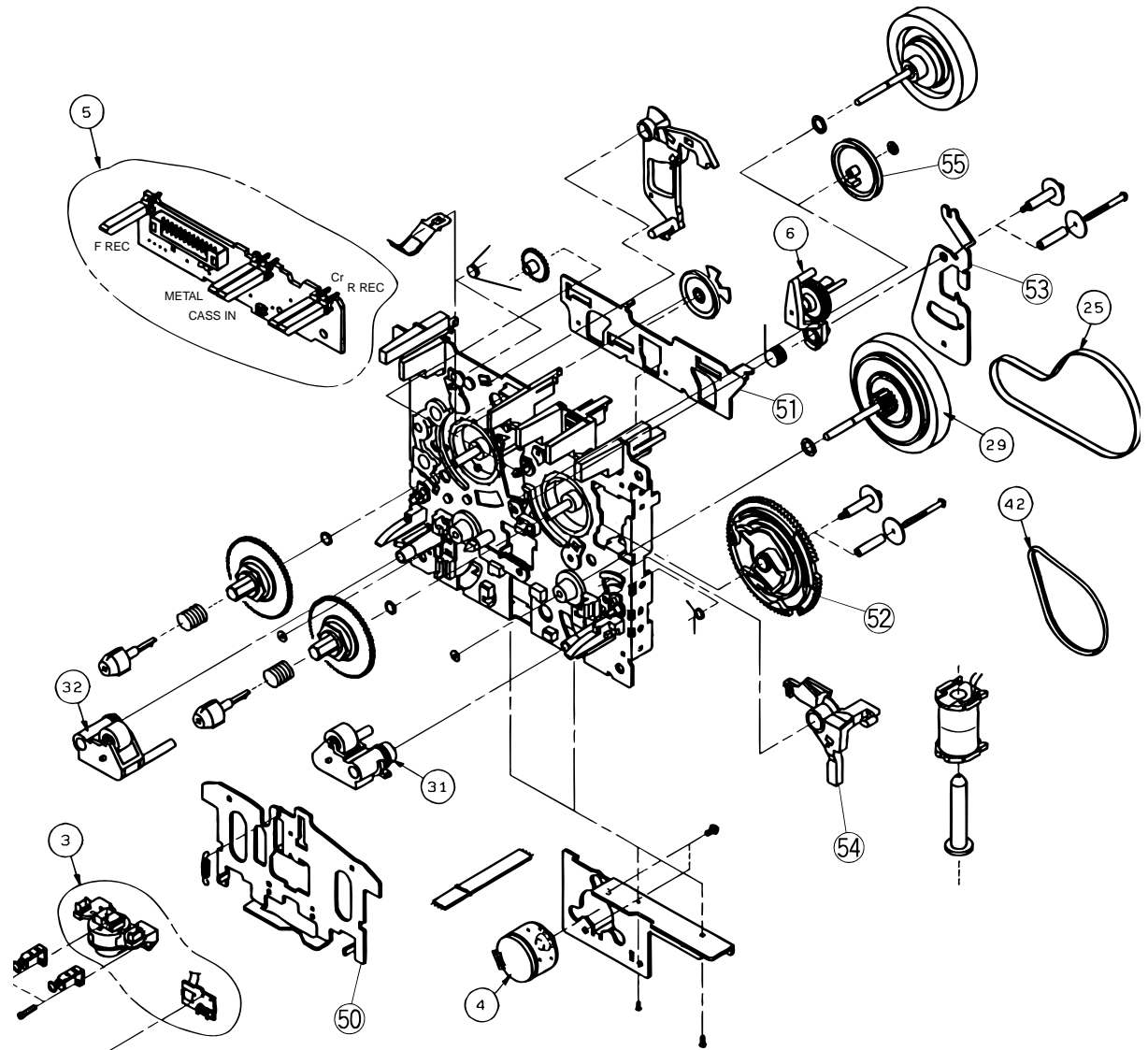
# 1 ■ EXPLODED VIEW (Loading Unit)



Ref. No.	PART NO.	Description	Remarks	Markets
	AAX07660	LOADING UNIT	F511630	
3	AAX07480	HOLDER CST ASSY	F527078	
4	AAX07460	MTR REEL	F564313	
5-1	AAX07510	SWITCH	UE15S14	
6-1	AAX07520	SWITCH	UE18P21	
15	AAX07580	BELT	FF19L12	
		LOADING		

\* New Parts

# 1 ■ EXPLODED VIEW (Cassette Deck Mech. Unit)

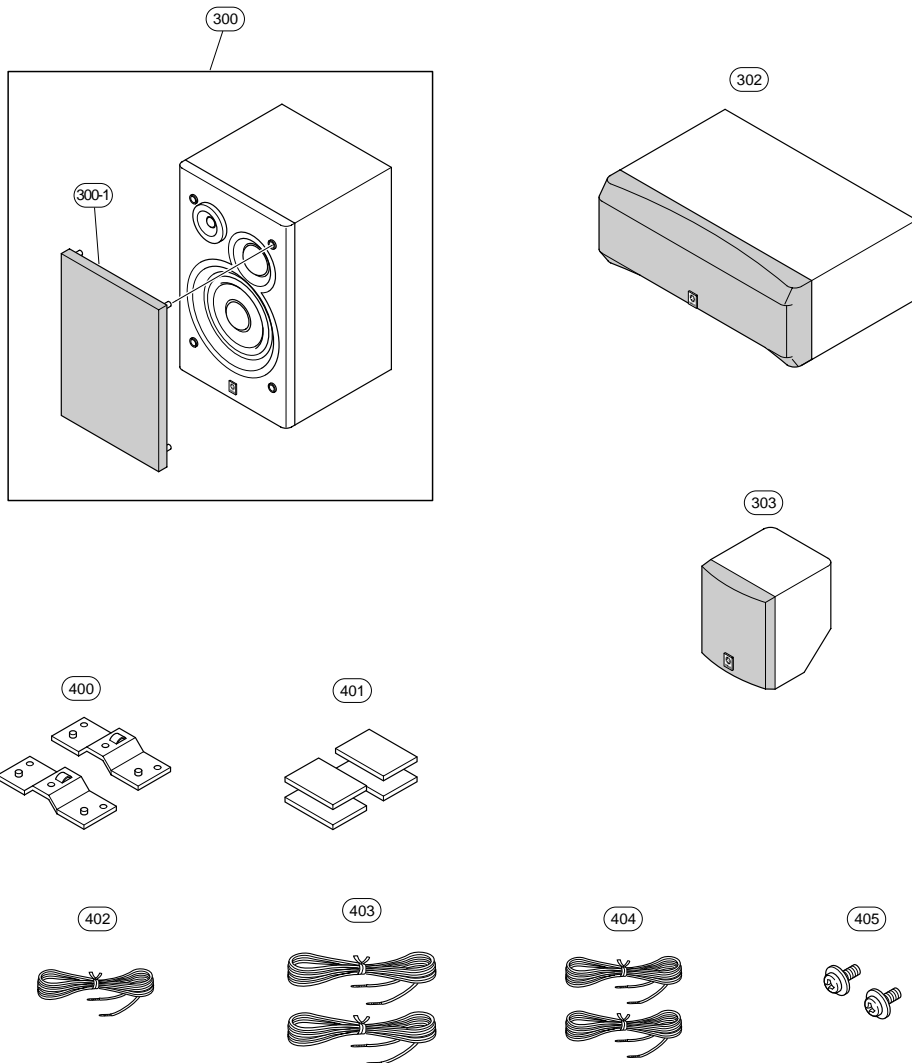


Ref. No.	PART NO.	Description	Remarks	Markets
	AAX07650	CASSETTE DECK MECH. UNIT	F511638	
3	AAX07550	PLATE HD	F513831	
4	AAX07450	MTR MAIN	F525327	
5	AAX07470	PCB CONTROL	F567626	
6	AAX07490	CLUTCH ASS'Y	F522037	
25	AAX07570	BELT	FF19H11	MAIN
29	AAX07500	CLUTCH ASS'Y	F522048	
31	AAX07530	PINCH ROLLER	F514129	R
32	AAX07540	PINCH ROLLER	F514130	L
42	AAX07560	BELT	FF18W12	F/R
50	AX623570	HEAD BASE	FC61K28	
51	AX622210	PLATE, SLIDE	FC61L17	
52	CX677140	CAM, GEAR	FD52Y20	
53	CX677130	LEVER	FC62G12	F/R
54	AX623590	LOCK LEVER	FD53D19	
55	CX679800	PULLEY, CLUTCH	FD53F14	

\* New Parts

## GX-707/GX-707VCD

# 1 ■ SPEAKERS



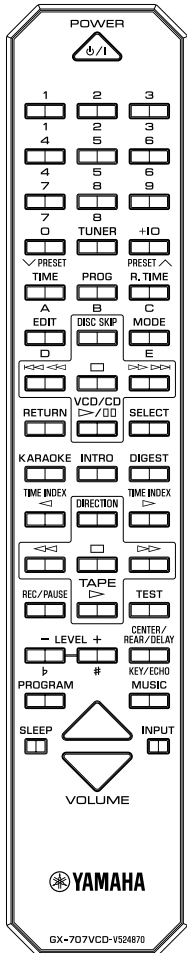
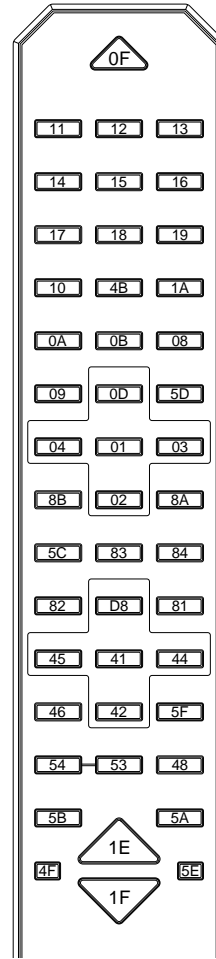
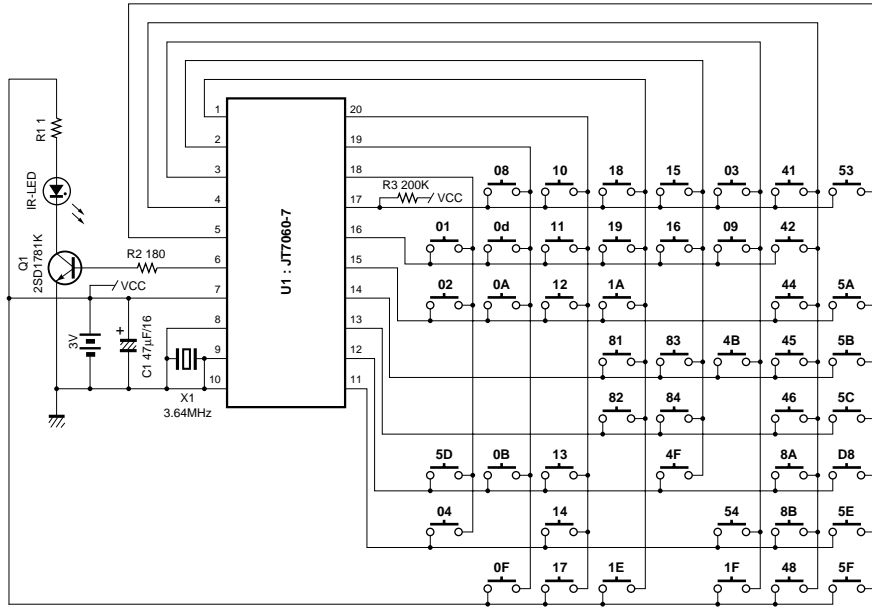
Ref. No.	PART NO.	Description	Remarks	Markets
		SPEAKER PACKAGE ASS'Y		
* 300	V5456200	SPEAKER UNIT	BL Lch	NX-GX505 BL
* 300	V5456300	SPEAKER UNIT	BL Rch	NX-GX505 BL
* 300-1	V5456900	FRONT GRILLE ASS'Y		NX-GX505 BL
* 302	V5467400	CENTER SPEAKER UNIT		NX-C707 BL
* 303	V5467500	EFFECT SPEAKER UNIT	2pcs 1set	NX-E707 BL
		ACCESSORIES		
* 400	V3789000	BRACKET	2pcs	
	401	VELCRO STRIPS		
	402	SPEAKER CORD	5m x 1	NX-C707
	403	SPEAKER CORD	10m x 2	NX-E707
	404	SPEAKER CORD	5m x 2	NX-GX505
	405	SCREW SET	M4 x PO.7 L = 8	

\* New Parts



# GX-707VCD REMOTE CONTROL TRANSMITTER

## SCHEMATIC DIAGRAM



FUNCTION	CUSTOM (HEX)	DATA (HEX)
POWER	78	0F
1	1	78 11
2	2	78 12
3	3	78 13
4	4	78 14
5	5	78 15
6	6	78 16
7	7	78 17
8	8	78 18
9		78 19
0	PRESET	78 10
TUNER		78 4B
+10	PRESET	78 1A
TIME (CD)	A	78 0A
PROG (CD)	B	78 0B
R. TIME (CD)	C	78 08
EDIT (CD)	D	78 09
DISC SKIP		78 0D
MODE	E	78 5D
◀◀ (CD)		78 04
■ (CD)		78 01
▶▶ (CD)		78 03
RETURN (VCD)		78 8B
VCD/CD ▶▶		78 02
SELECT (VCD)		78 8A

FUNCTION	CUSTOM (HEX)	DATA (HEX)
KARAOKE	78	5C
INTRO	78	83
DIGEST	78	84
TIME INDEX ◀ (VCD)	78	82
DIRECTION	78	D8
TIME INDEX ▶ (VCD)	78	81
◀◀ (TAPE)	78	45
■ (TAPE)	78	41
▶▶ (TAPE)	78	44
REC/PAUSE (TAPE)	78	46
TAPE ▶	78	42
TEST	78	5F
LEVEL -	78	54
LEVEL +	78	53
CENTER/REAR/DELAY KEY/ECHO	78	48
PROGRAM	78	5B
VOLUME UP	78	1E
MUSIC	78	5A
SLEEP	78	4F
VOLUME DOWN	78	1F
INPUT	78	5E

# Parts List for Carbon Resistors

Value	1/4W Type Part No.	1/6W Type Part No.	Value	1/4W Type Part No.	1/6W Type Part No.
1.0 Ω	HJ35 3100	HF85 3100	10 kΩ	HF45 7100	HF45 7100
1.8 Ω	HJ35 3180	*	11 kΩ	HF45 7110	HF45 7110
2.2 Ω	HJ35 3220	HF85 3220	12 kΩ	HJ35 7120	HF85 7120
3.3 Ω	HJ35 3330	HF85 3330	13 kΩ	HF45 7130	HF45 7130
4.7 Ω	HJ35 3470	HF85 3470	15 kΩ	HF45 7150	HF45 7150
5.6 Ω	HJ35 3560	HF85 3560	18 kΩ	HF45 7180	HF45 7180
10 Ω	HF45 4100	HF45 4100	22 kΩ	HF45 7220	HF45 7220
15 Ω	HJ35 4150	HF85 4150	24 kΩ	HF45 7240	HF45 7240
22 Ω	HF45 4220	HF45 4220	27 kΩ	HJ35 7270	HF85 7270
27 Ω	HJ35 4270	HF85 4270	30 kΩ	HF45 7300	HF45 7300
33 Ω	HF45 4330	HF45 4330	33 kΩ	HF45 7330	HF45 7330
39 Ω	HJ35 4470	HF85 4390	36 kΩ	HF45 7360	HF45 7360
47 Ω	HF45 4470	HF45 4470	39 kΩ	HF45 7390	HF45 7390
56 Ω	HF45 4560	HF45 4560	47 kΩ	HF45 7470	HF45 7470
68 Ω	HF45 4680	HF45 4680	51 kΩ	HF45 7510	HF45 7510
75 Ω	HF45 4750	HF45 4750	56 kΩ	HF45 7560	HF45 7560
82 Ω	HF45 4820	HF45 4820	62 kΩ	HF45 7620	HF45 7620
91 Ω	HF45 4910	HF45 4910	68 kΩ	HF45 7680	HF45 7680
100 Ω	HF45 5100	HF45 5100	82 kΩ	HF45 7820	HF45 7820
110 Ω	HJ35 5110	HF85 5110	91 kΩ	HF45 7910	HF45 7910
120 Ω	HF45 5120	HF45 5120	100 kΩ	HF45 8100	HF45 8100
150 Ω	HF45 5150	HF45 5150	110 kΩ	HF45 8110	HF45 8110
160 Ω	HJ35 5160	*	120 kΩ	HF45 8120	HF45 8120
180 Ω	HF45 5180	HF45 5180	150 kΩ	HF45 8150	HF45 8150
200 Ω	HF45 5200	HF45 5200	180 kΩ	HF45 8180	HF45 8180
220 Ω	HF45 5220	HF45 5220	220 kΩ	HJ35 8220	HF85 8220
270 Ω	HF45 5270	HF45 5270	270 kΩ	HF45 8270	HF45 8270
330 Ω	HF45 5330	HF45 5330	300 kΩ	HF45 8300	HF45 8300
390 Ω	HF45 5390	HF45 5390	330 kΩ	HF45 8330	HF45 8330
430 Ω	HF45 5430	HF45 5430	390 kΩ	HJ35 8390	HF85 8390
470 Ω	HF45 5470	HF45 5470	470 kΩ	HF45 8470	HF45 8470
510 Ω	HF45 5510	HF45 5510	560 kΩ	HJ35 8560	HF85 8560
560 Ω	HF45 5560	HF45 5560	680 kΩ	HJ35 8680	HF85 8680
680 Ω	HF45 5680	HF45 5680	820 kΩ	HJ35 8820	HF85 8820
820 Ω	HF45 5820	HF45 5820	1.0 MΩ	HF45 9100	HF45 9100
910 Ω	HF45 5910	HF45 5910	1.2 MΩ	HJ35 9120	*
1.0 kΩ	HF45 6100	HF45 6100	1.5 MΩ	HJ35 9150	HF85 9150
1.2 kΩ	HF45 6120	HF45 6120	1.8 MΩ	HJ35 9180	HF85 9180
1.5 kΩ	HF45 6150	HF45 6150	2.2 MΩ	HJ35 9220	HF85 9220
1.8 kΩ	HF45 6180	HF45 6180	3.3 MΩ	HJ35 9330	HF85 9330
2.0 kΩ	HJ35 6200	HF85 6200	3.9 MΩ	HJ35 9390	*
2.2 kΩ	HF45 6220	HF45 6220	4.7 MΩ	HJ35 9470	HF85 9470
2.4 kΩ	HJ35 6240	HF85 6240			
2.7 kΩ	HF45 6270	HF45 6270			
3.0 kΩ	HF45 6300	HF45 6300			
3.3 kΩ	HF45 6330	HF45 6330			
3.6 kΩ	HJ35 6360	HF85 6360			
3.9 kΩ	HF45 6390	HF45 6390			
4.7 kΩ	HF45 6470	HF45 6470			
5.1 kΩ	HF45 6510	HF45 6510			
5.6 kΩ	HF45 6560	HF45 6560			
6.8 kΩ	HF45 6680	HF45 6680			
8.2 kΩ	HF45 6820	HF45 6820			
9.1 kΩ	HF45 6910	HF45 6910			

**1/4W Type**

HJ35 ○○○○

10mm

**1/6W Type**

HF45 ○○○○

5mm

# **GX-707/GX-707VCD**

---

**GX-707VCD**

# **YAMAHA**

---