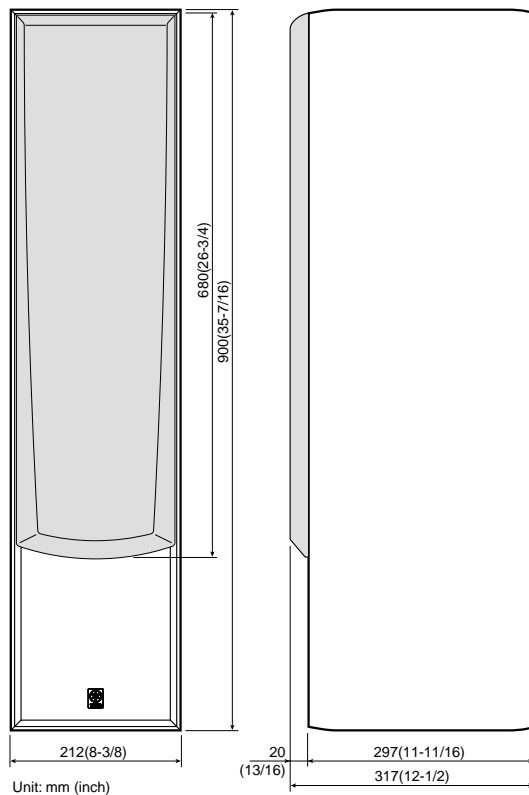


# SPEAKER SYSTEM NS-300

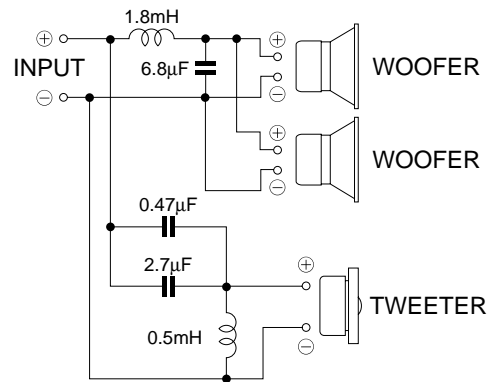
NS-300

## SERVICE MANUAL

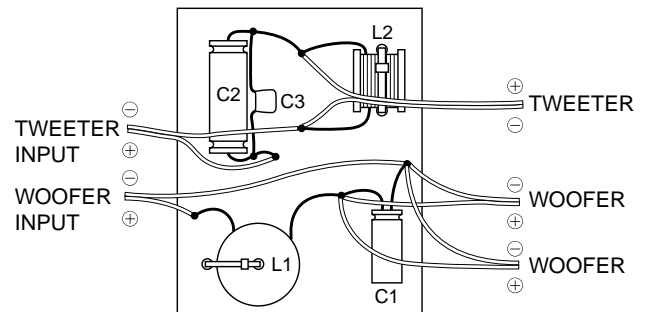
### ■ DIMENSIONS



### ■ NETWORK CIRCUIT DIAGRAM



### ■ WIRING DIAGRAM



### ■ SPECIFICATIONS

**Type** ..... 2-way 3-speaker bass reflex speaker system  
(Magnetically-shielded type)

#### Speaker Unit

**Woofer** ..... 16 cm (6.5") corn x 2

**Tweeter** ..... 3 cm (1") dome

**Nominal Impedance** ..... 6 ohms

**Frequency Response** ..... 30 Hz ~ 35 kHz

**Nominal Input Power** ..... 140 W

**Maximum Input Power** ..... 400 W

**Sensitivity** ..... 91 dB/2.83 V/m

**Crossover Frequency** ..... 3 kHz

**Dimensions (W x H x D)** ..... 212 x 900 x 317 mm  
(8-3/8" x 35-7/16" x 12-1/2")

**Weight** ..... 19.0 kg (41 lbs. 14 oz.) /1 piece

**Accessories** ..... Stand x 4, Screw (6 mm) x 4, Spike x 4,  
Wood screw (4 mm) x 4, Washer x 4, Pad x 4, Nut x 4



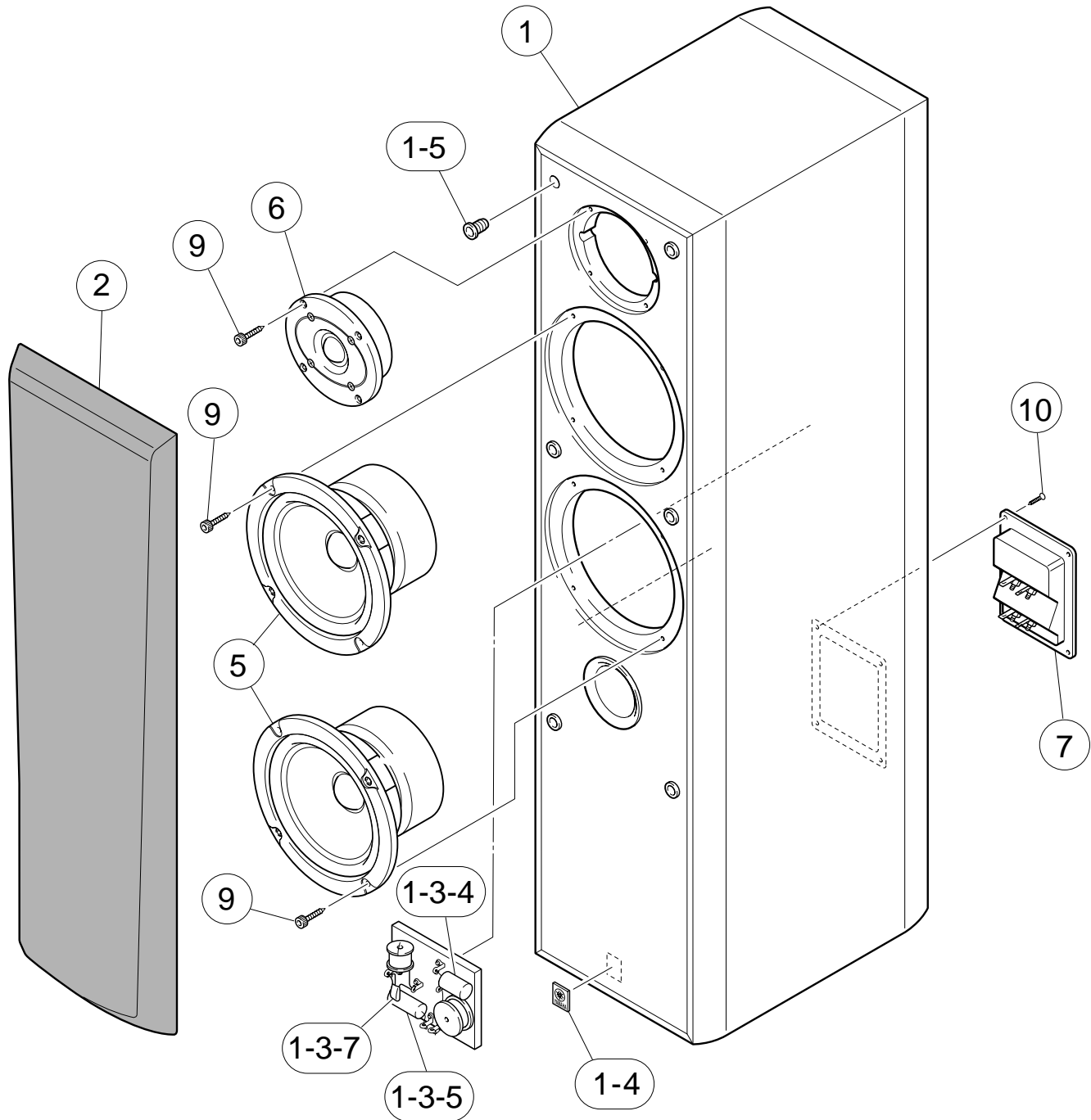
このサービスマニュアルは、エコマーク認定の再生紙を使用しています。  
This Service Manual uses recycled paper.

\* Specifications are subject change without notice due to product improvements.



NS-300

EXPLODED VIEW



The Network Ass'y is fixed with staple.

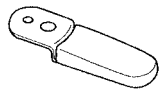
1  
2  
3  
4  
5  
6  
7

## ■ PARTS LIST

Ref. No.	PART NO.	Description			Remarks	Markets
*	1	V4015700	CABINET ASS'Y		CH	
*	1	V4015800	CABINET ASS'Y		BL	
	1-3-4	VA806800	ELECTROLYTIC CAP	6.8uF 50V		
	1-3-5	FR116270	PAPER CAP	2.7uF 160V		
*	1-3-7	V4346900	MYLAR FILM CAP	0.47uF 50V		
	1-4	V2192200	EMBLEM	YAMAHA		
	1-5	CB605250	HOLDER			
*	2	V4015500	FRONT GRILLE ASS'Y		CH	
*	2	V4585100	FRONT GRILLE ASS'Y		BL	
*	5	XW231A00	LOUD SPEAKER	16cm		
*	6	XW232A00	LOUD SPEAKER	2.5cm		
*	7	V4041400	SPEAKER TERMINAL	4P		
*	9	V4041500	HEXAGON HEAD WOOD SCREW	4x20	MFCR3	
	10	EN230180	OVAL HEAD TAPPING SCREW	3.5x16	MFC2-BL	
			ACCESSORIES			
*		V4564100	STAND ASS'Y			
		EP040070	BIND HEAD TAPPING SCREW	4x20	ZMC2-BL	
		V2450400	HEXAGONAL NUT	6.0	MFZN2-BL	
*		V4043300	SPIKE	M6.0		
*		V4402400	WASHER	13-7-2	MFZN2-BL	
*		V4053100	TAPPING SCREW	6x12	MFC2-BL	

\* New Parts

## ■ ATTACHING THE STAND



Stand x 4



Screw (6 mm) x 4

Wood screw  
(4 mm) x 4

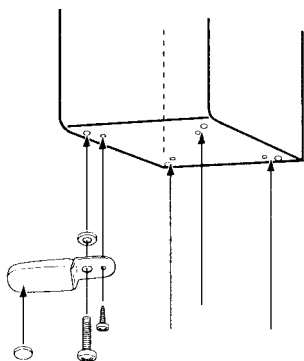
Washer x 4



Pad x 4

When positioning the speakers, be sure to use the stand to increase stability.

Use the 8 specified holes located on the base of the speaker.



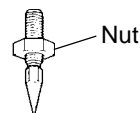
### Procedures

- Put the 6 mm screw through the inside hole on the stand.
- Place a washer on the screw on the speaker side of the stand and attach to the speaker at one of the outside holes on the base of the speaker.  
At this time, attach the stand so that it can still be moved slightly.
- Put the 4 mm wood screw through the outside hole on the stand, and screw into the inside hole on the base of the speaker.
- When both screws have been attached, tighten both of the screws so that the stand is firmly in place.  
Be sure to check that the stand is firmly attached.
- Attach the pads to the bottom of the end portion of the stand.
- Attach the other stands in the same manner and confirm that all 4 stands have been firmly attached.
- Place the speaker in the desired location.

### Note

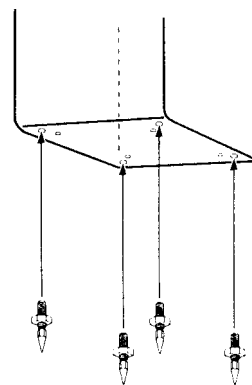
**If force is applied to the side of the speaker, it may fall and damage the speaker or cause personal injury. Please be careful.**

## ■ ATTACHING THE SPIKE



Spike x 4

When setting up the speakers on a thick carpet, use the spikes instead of the stand. With 4 points set in place to achieve increased stability and improvements in sound quality.



### Procedures

- Set the nut close to the tip of the spike and screw them into the bottom of the speaker at each of the four specified holes.
- Place the speaker in the desired location in an upright position and adjust the length of the spike to match the depth of the carpet.
- When adjustment is complete, twist the nut up to the base of the speaker firmly.

### Notes

- The tips of the spikes may scratch or otherwise damage the flooring. Please be careful when positioning the speakers.**
- If force is applied to the side of the speaker, it may fall and damage the speaker or cause personal injury. Please be careful.**