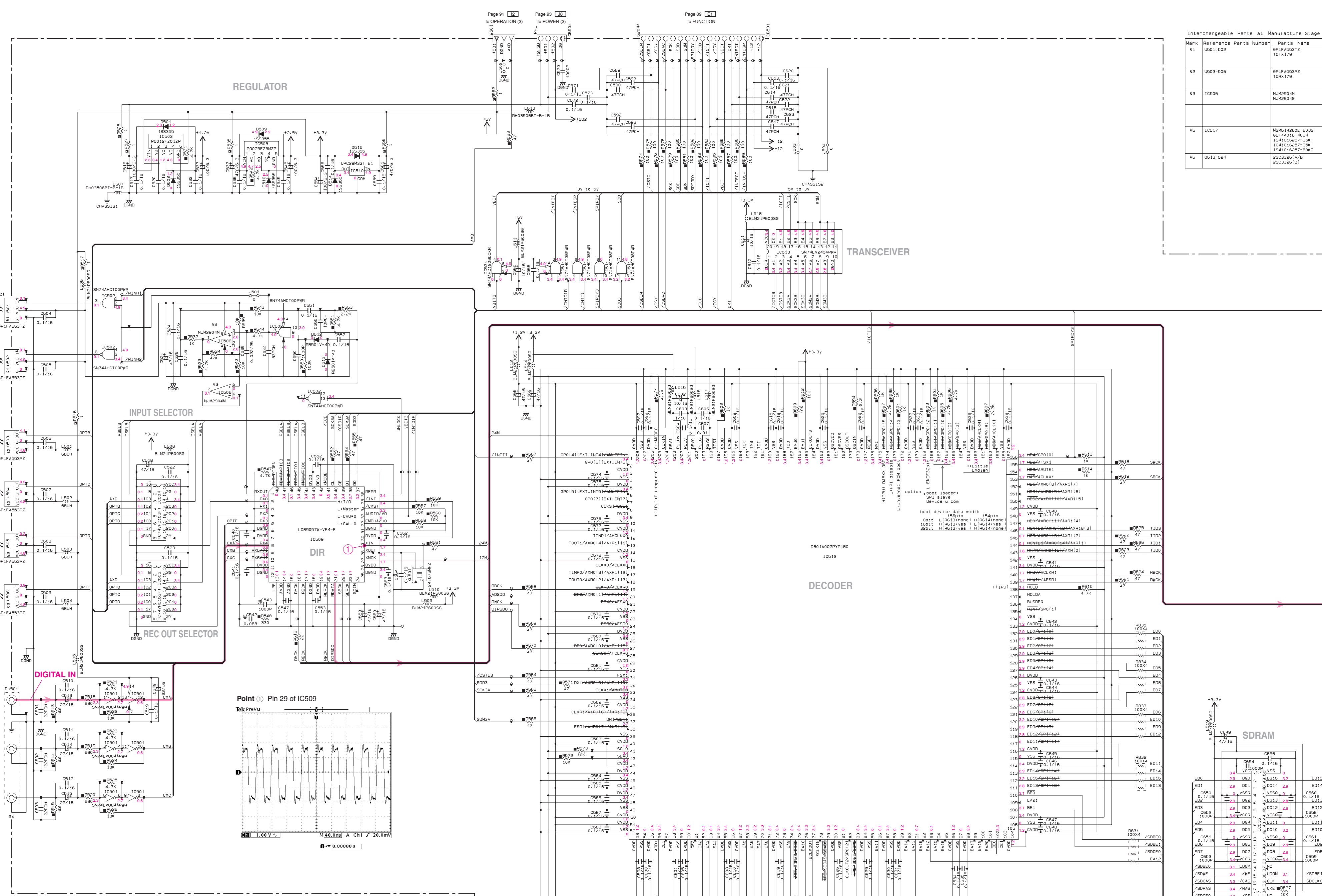


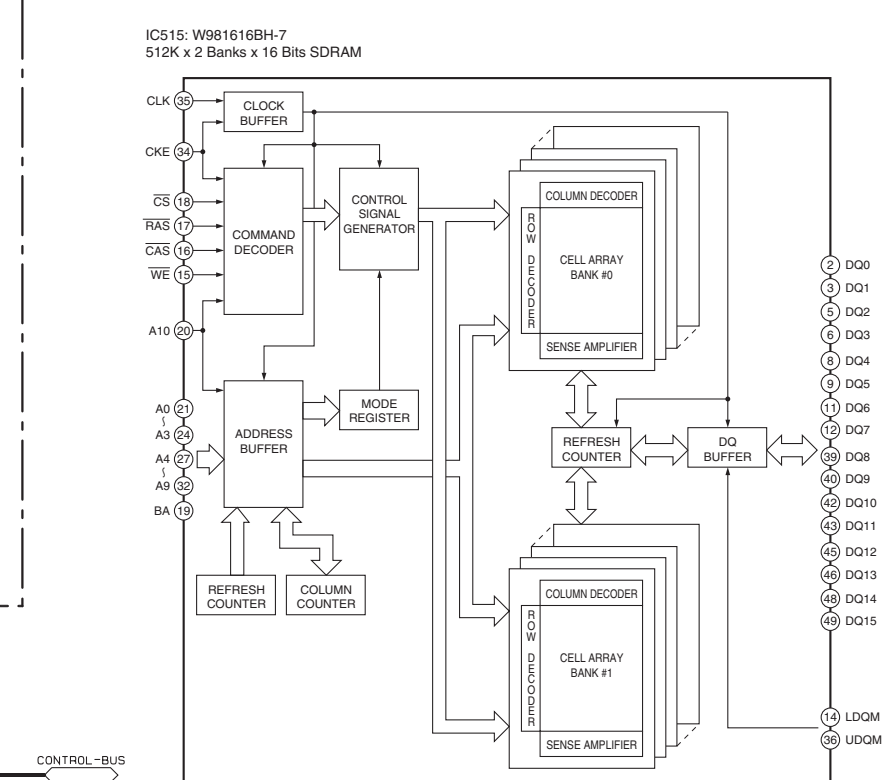
SCHEMATIC DIAGRAM (DSP 1/2)

1  
2  
3  
4  
5  
6  
7  
8  
9  
10



Interchangeable Parts at Manufacture-Stage

Mark	Reference Parts Number	Parts Name
k1	U001-002	GP1FA9531Z 1074179
k2	U003-006	GP1FA9531Z 1074179
k3	IC506	NLM2904M NLM2904G
k5	IC517	MUM51426GE-60J5 6144016R4024 1541C16297-35K 1541C16297-60K1 1541C16297-60K1
k6	D513-D24	25C330814/FB1 25C330814/FB1



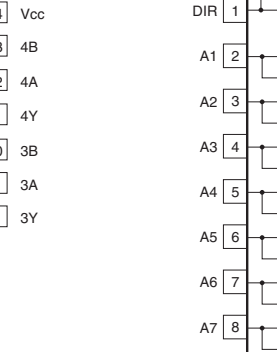
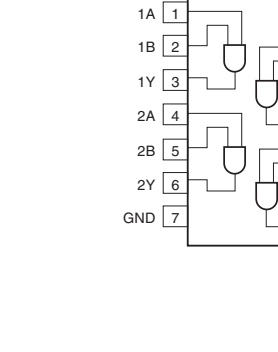
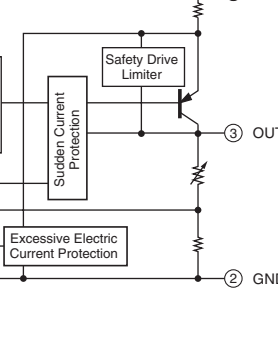
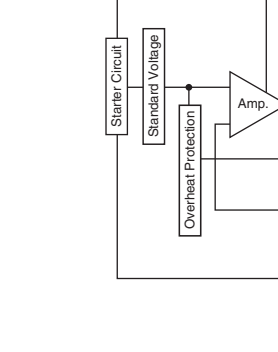
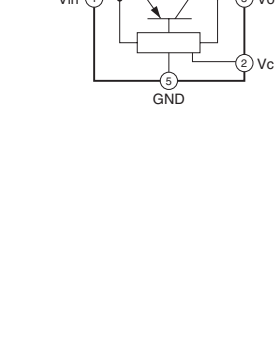
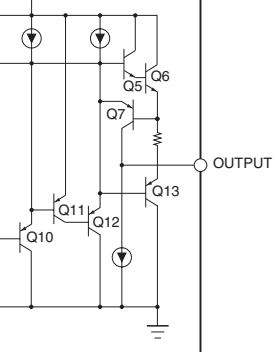
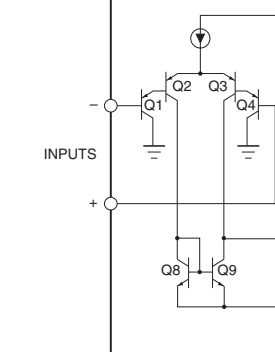
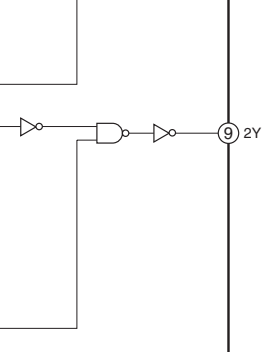
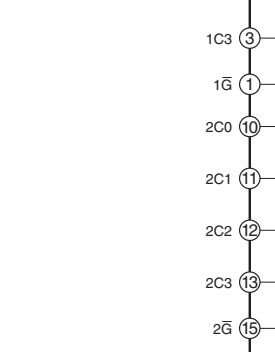
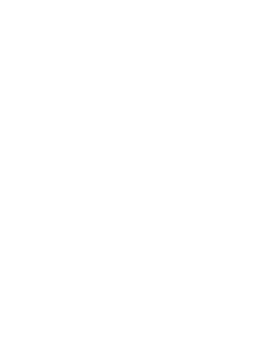
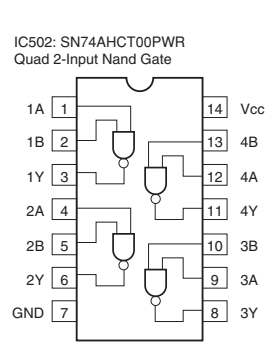
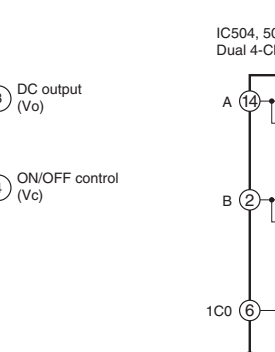
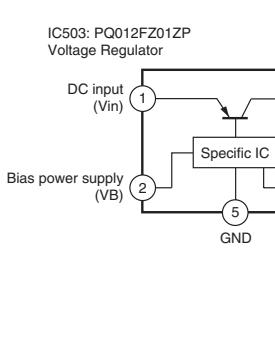
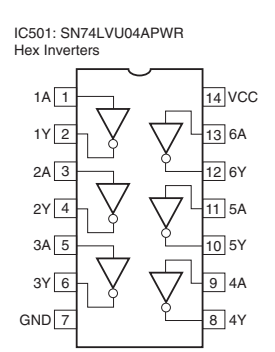
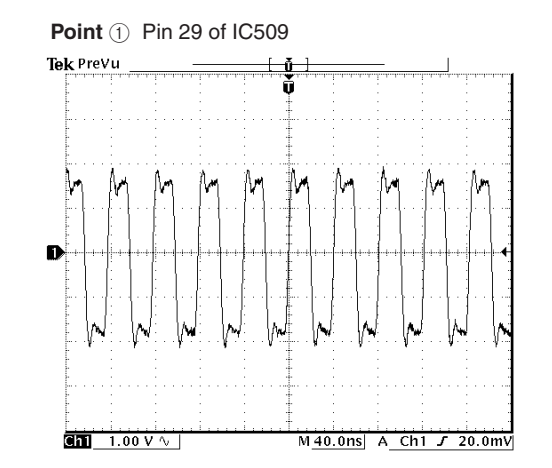
CAPACITOR

REMARKS	PARTS NAME	
NO MARK	ELECTROLYTIC CAPACITOR	EF
⊗	TANTALUM CAPACITOR	
NO MARK	CERAMIC CAPACITOR	
⊙	CERAMIC TUBULAR CAPACITOR	
⊖	POLYESTER FILM CAPACITOR	
⊕	POLYSTYRENE FILM CAPACITOR	
⊘	MICA CAPACITOR	
⊙	POLYPROPYLENE FILM CAPACITOR	
⊖	SERMI-CONDUCTIVE CERAMIC CAPACITOR	
⊙	POLYPHENYLENE SULFIDE FILM CAPACITOR	

RESISTOR

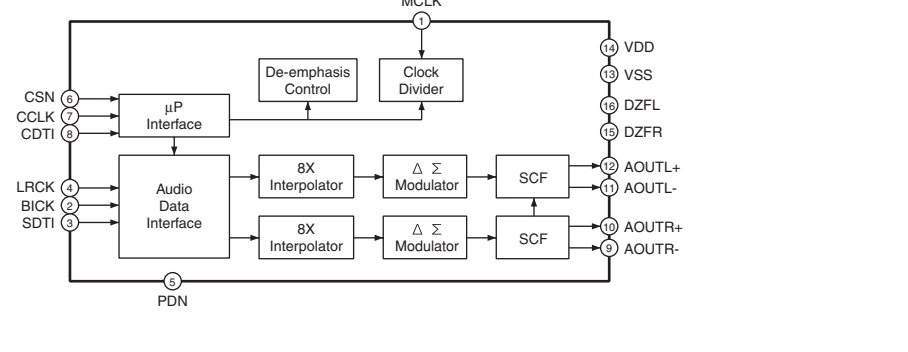
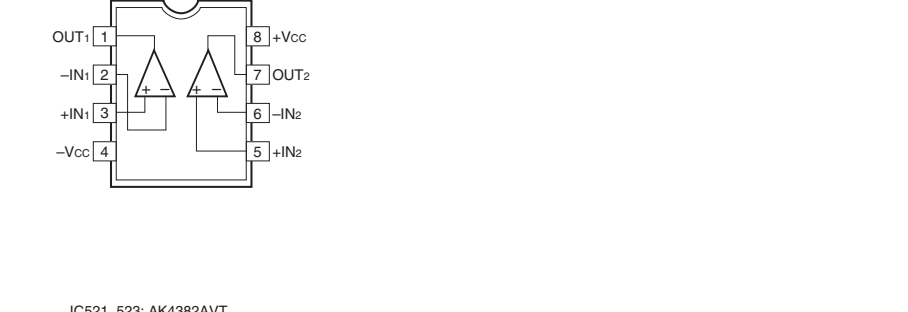
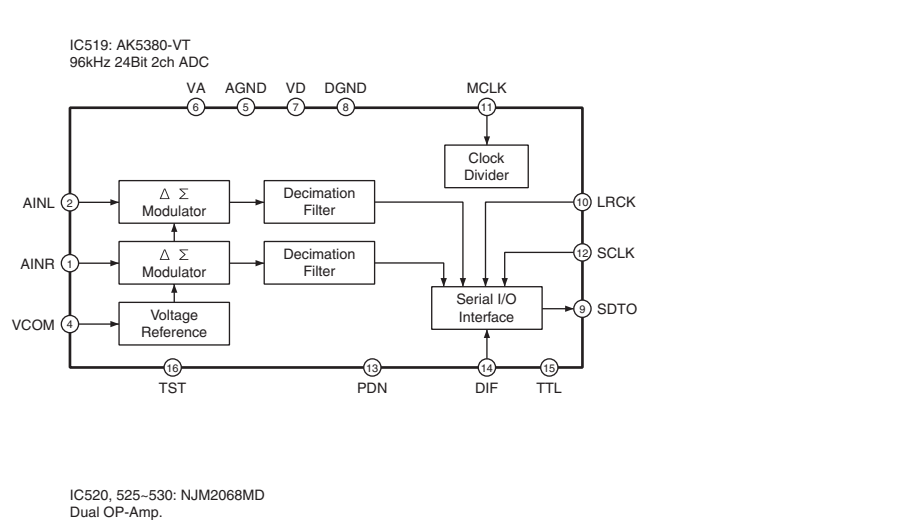
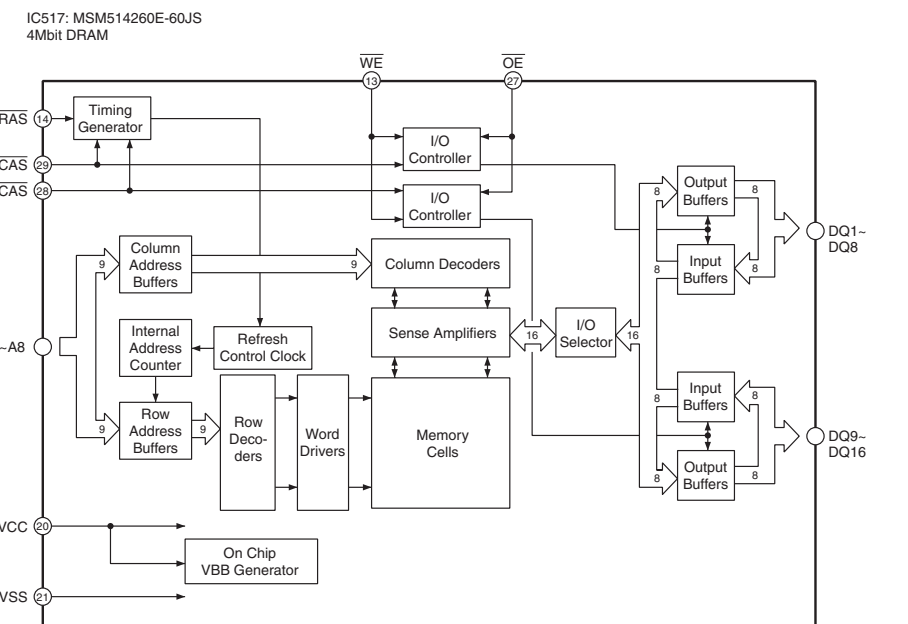
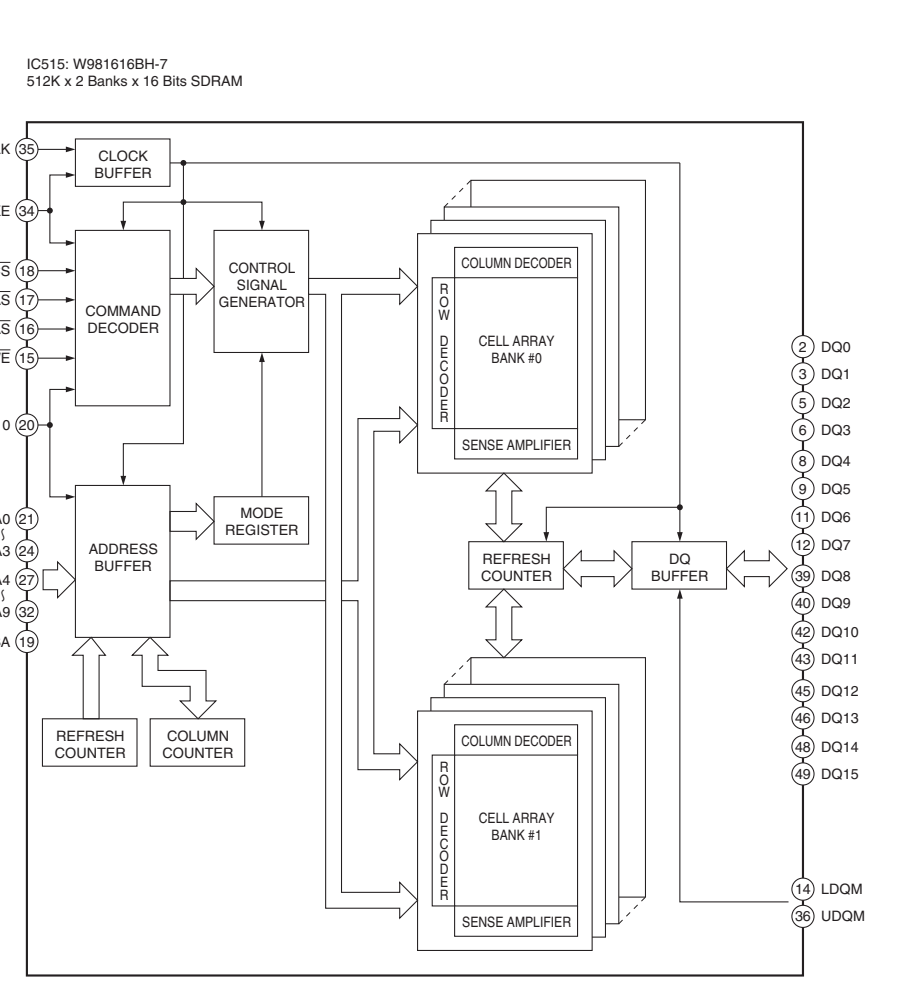
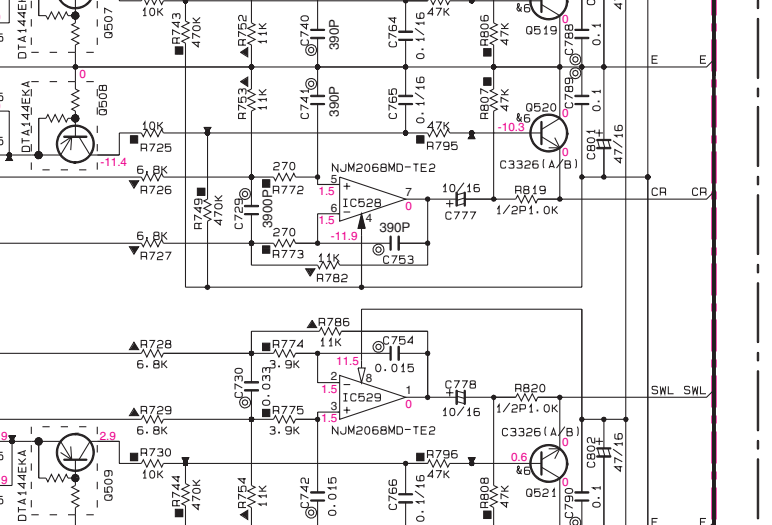
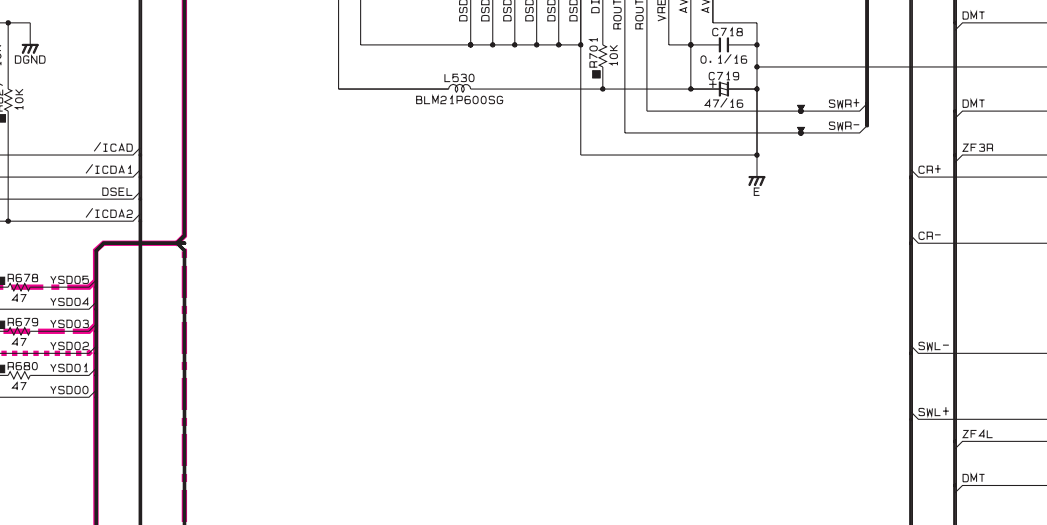
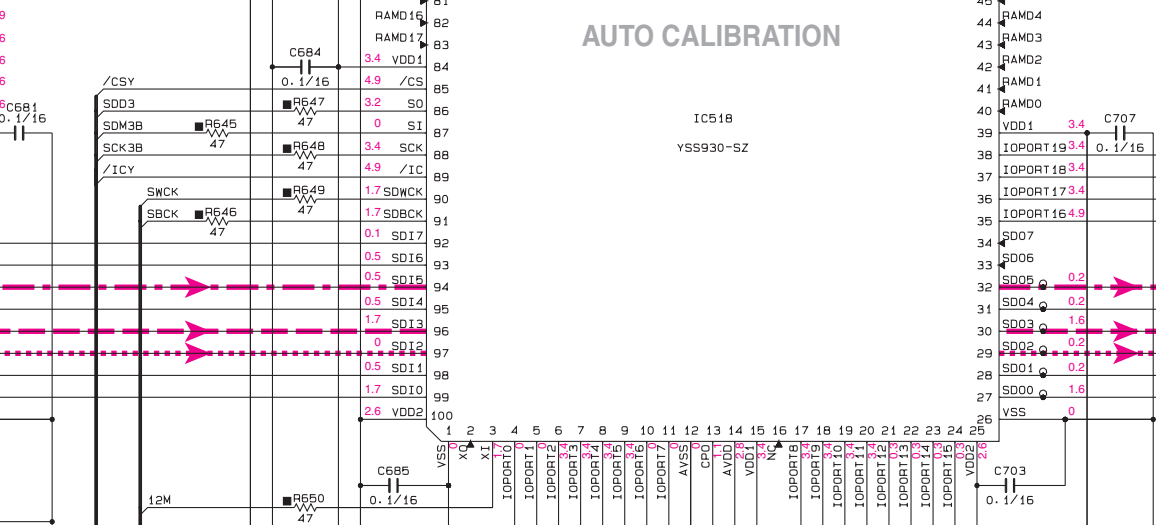
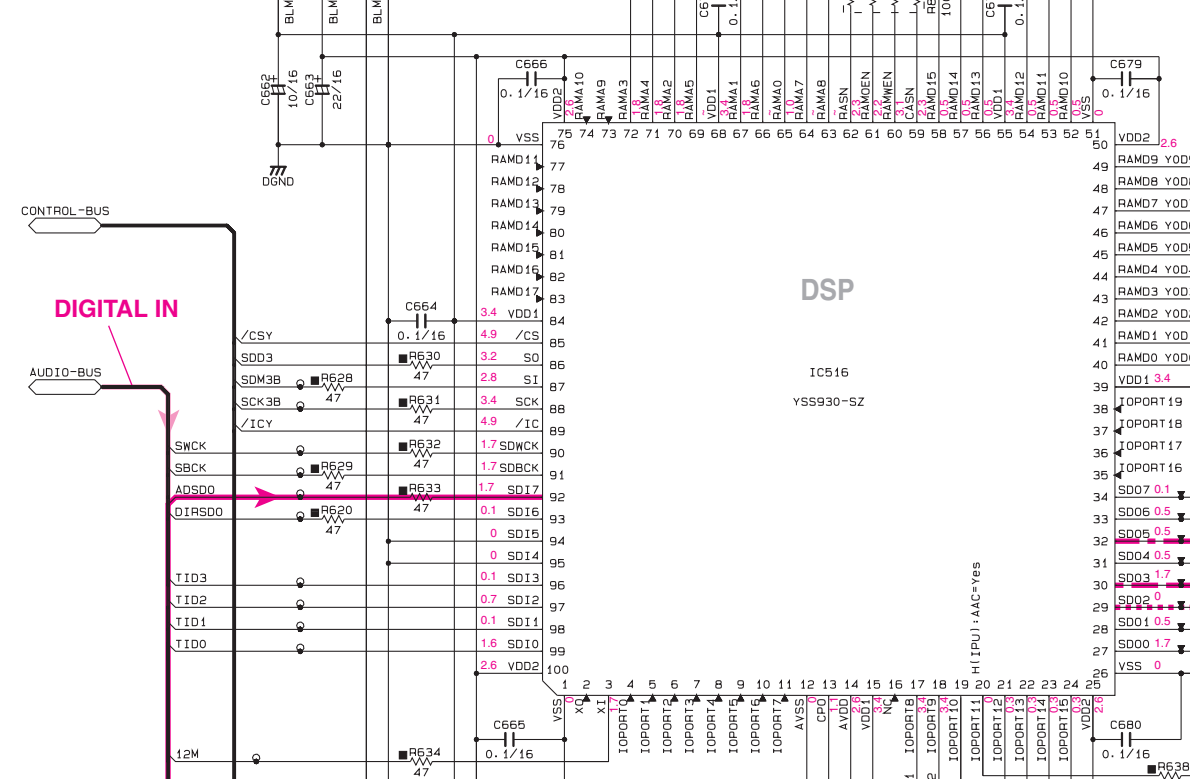
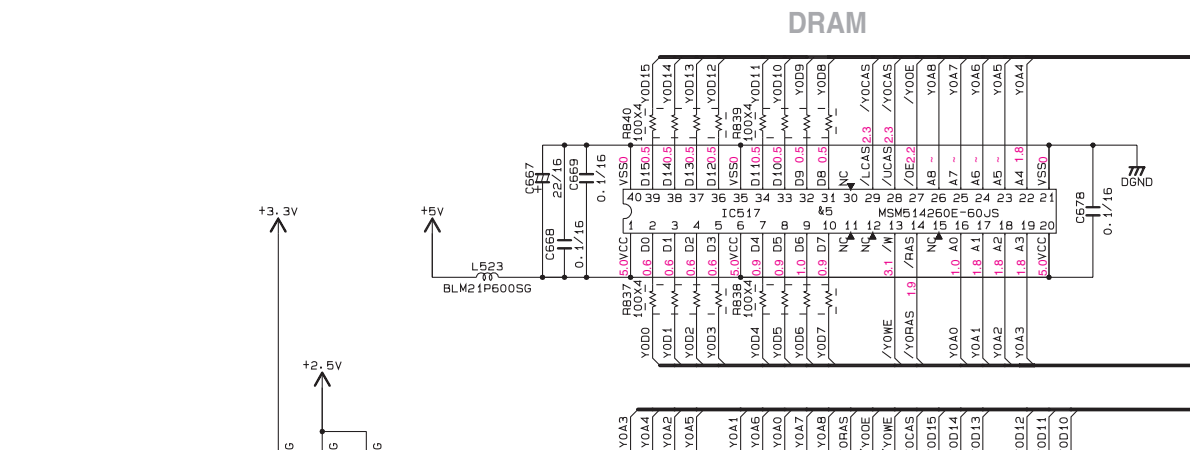
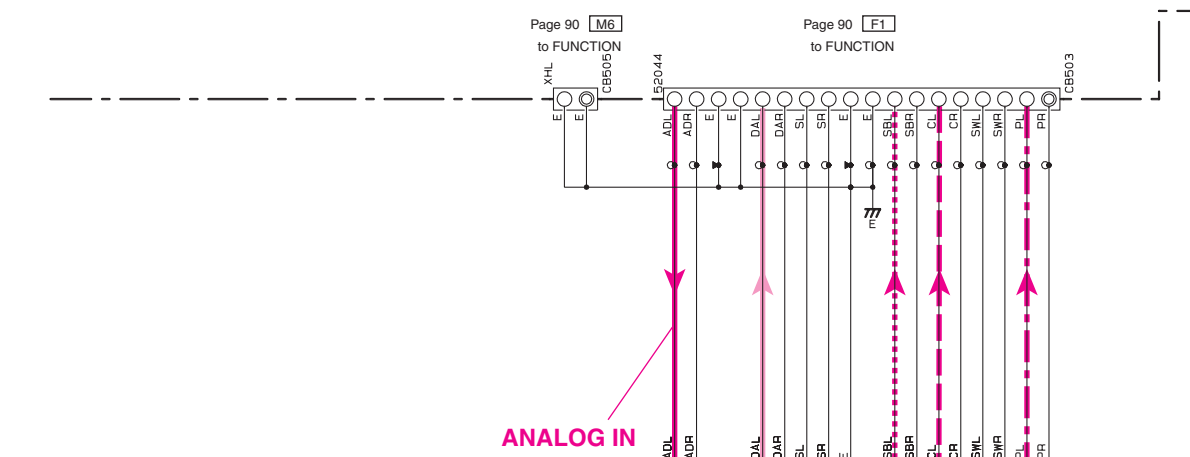
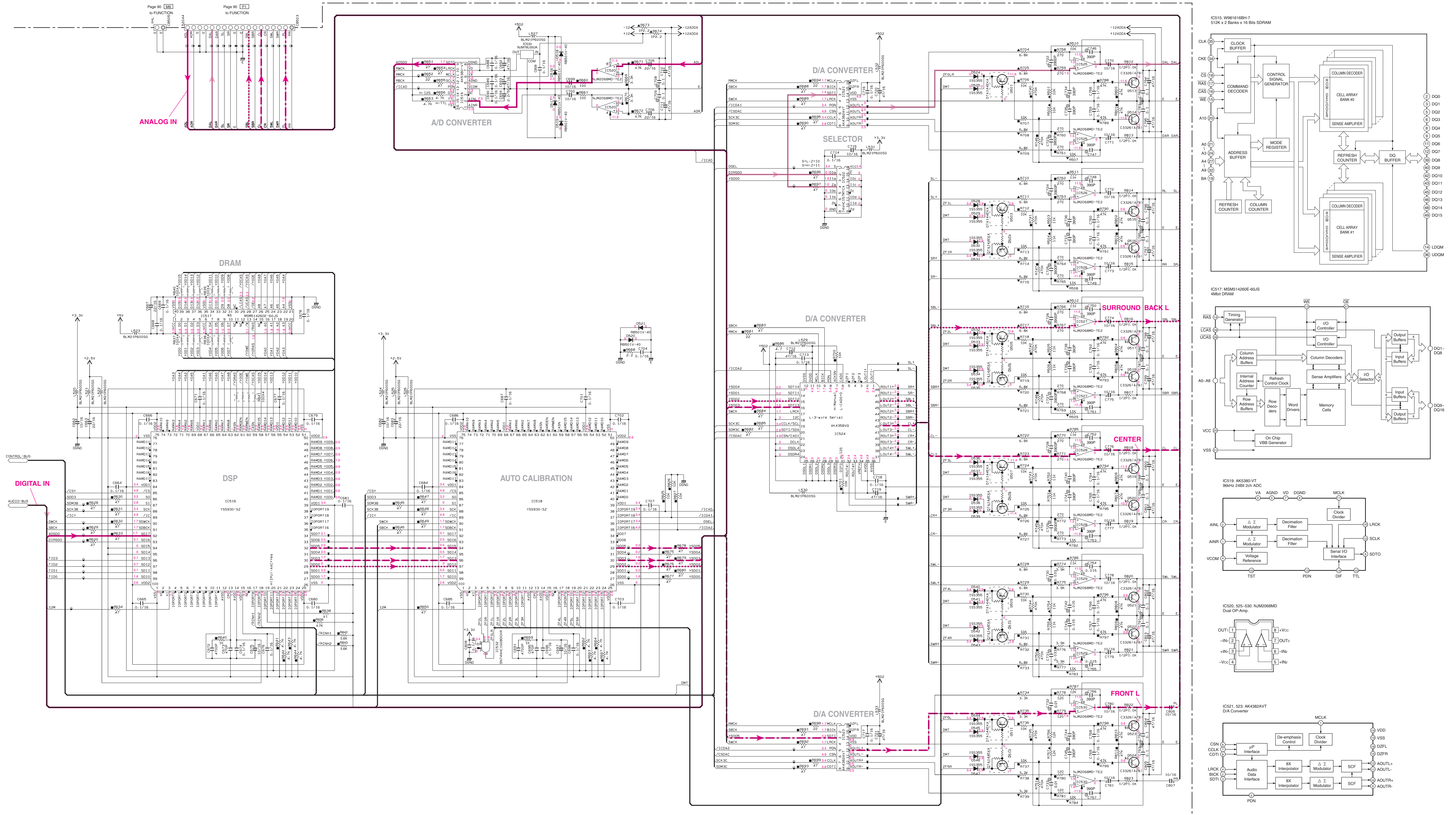
REMARKS	PARTS NAME	
NO MARK	CARBON FILM RESISTOR (P=6)	
⊗	CARBON FILM RESISTOR (P=10)	
△	METAL OXIDE FILM RESISTOR	
⊖	METAL FILM RESISTOR	
⊕	METAL PLATE RESISTOR	
⊖	FIRE PROOF CARBON FILM RESISTOR	
⊖	CEMENT MOLDED RESISTOR	
⊖	SEMI-VARIABLE RESISTOR	
⊖	CHIP RESISTOR	

NOTICE (mode1)  
 (J)..... JAPAN  
 (U)..... U.S.A.  
 (C)..... CANADA  
 (R)..... GENERAL  
 (T)..... CHINA  
 (K)..... KOREA  
 (A)..... AUSTRALIA  
 (B)..... BRITISH  
 (L)..... EUROPE  
 (S)..... SINGAPORE



★ All voltages are measured with a 10MΩ/V DC electronic volt meter.  
 ★ Components having special characteristics are marked with a triangle and must be replaced with parts having specifications equal to those originally installed.  
 ★ Schematic diagram is subject to change without notice.  
 ● 電圧は、内部抵抗10MΩの電圧計で測定したものです。  
 ● 印のある部品は、安全性確保部品を示しています。部品の交換が必要な場合、パーツリストに記載されている部品を使用してください。  
 ● 本回路図は標準回路図です。改良のため予告なく変更することがございます。

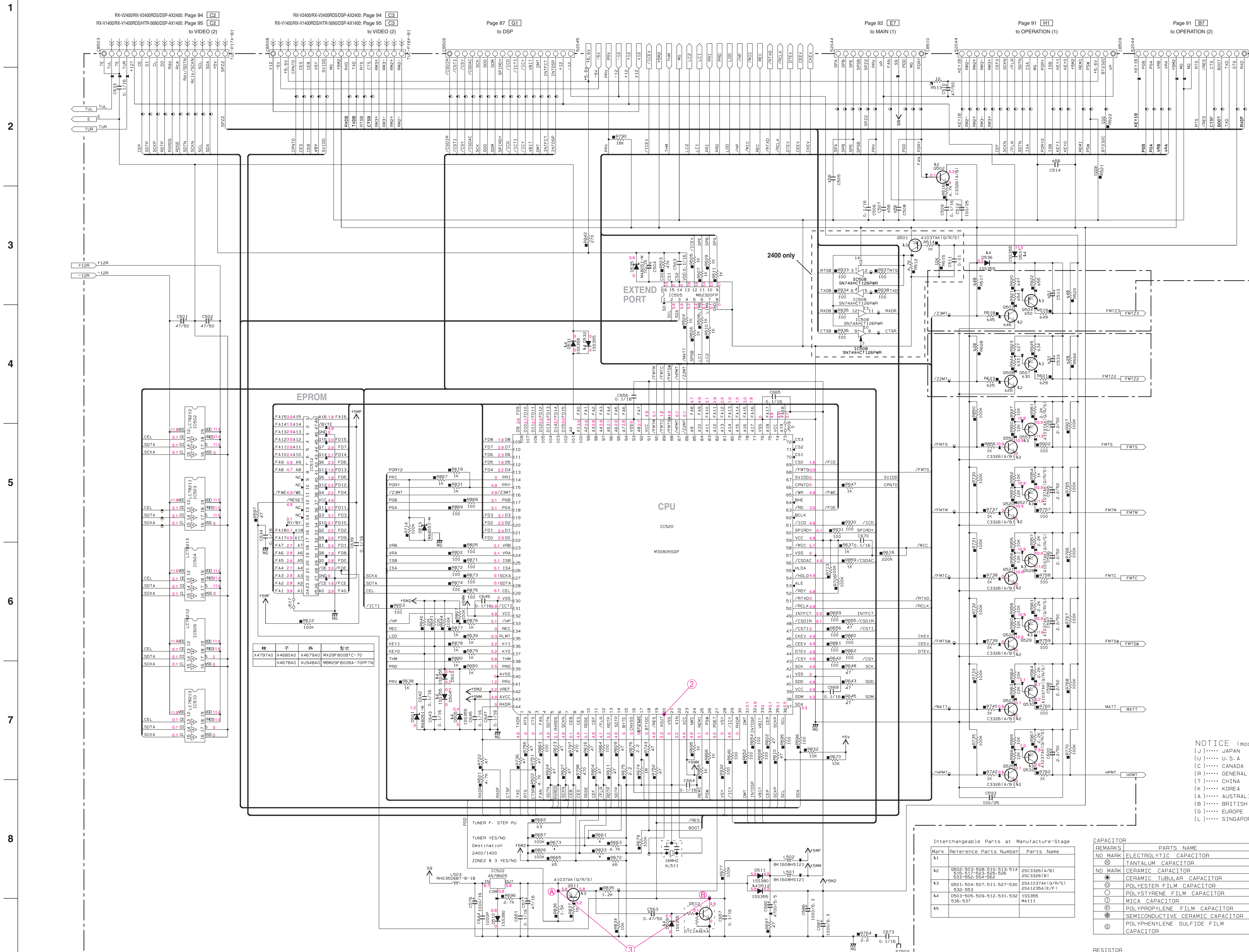
SCHEMATIC DIAGRAM (DSP 2/2)



S	Circuit No.	J	U.C.R.T.K.A.B.G.L	Mem	Remarks
1	R638	X	4.7K	AAC	
2	PU501	ALJ-1165-31-0500	MSD-293V-29N1	MB49140	2400

- ★ All voltages are measured with a 10MΩ/V DC electronic volt meter.
- ★ Components having special characteristics are marked with a triangle (▲) and must be replaced with parts having specifications equal to those originally installed.
- ★ Schematic diagram is subject to change without notice.
- 電圧は、内部抵抗10MΩの電圧計で測定したものです。
- ▲印のある部品は、安全性確保部品を示しています。部品の交換が必要な場合、パーツリストに記載されている部品を使用してください。
- 本回路図は標準回路図です。改良のため予告なく変更することがございます。

■ SCHEMATIC DIAGRAM (FUNCTION 1/2)



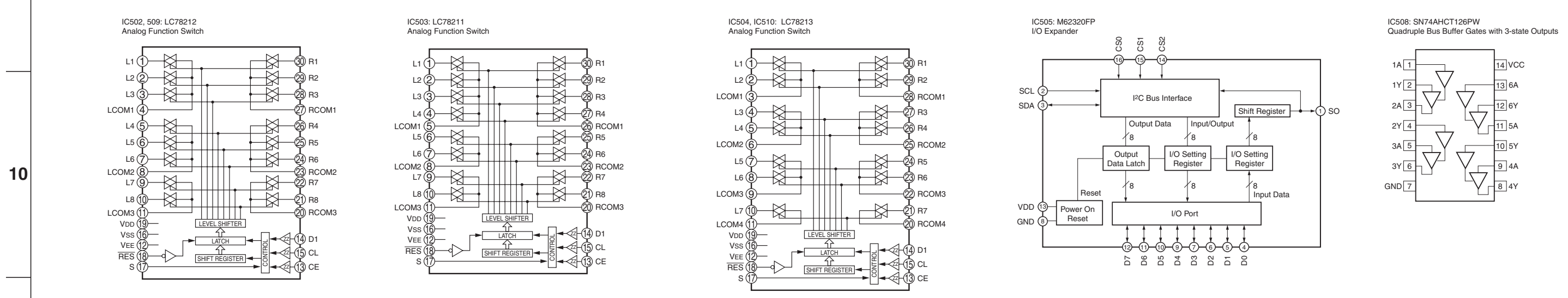
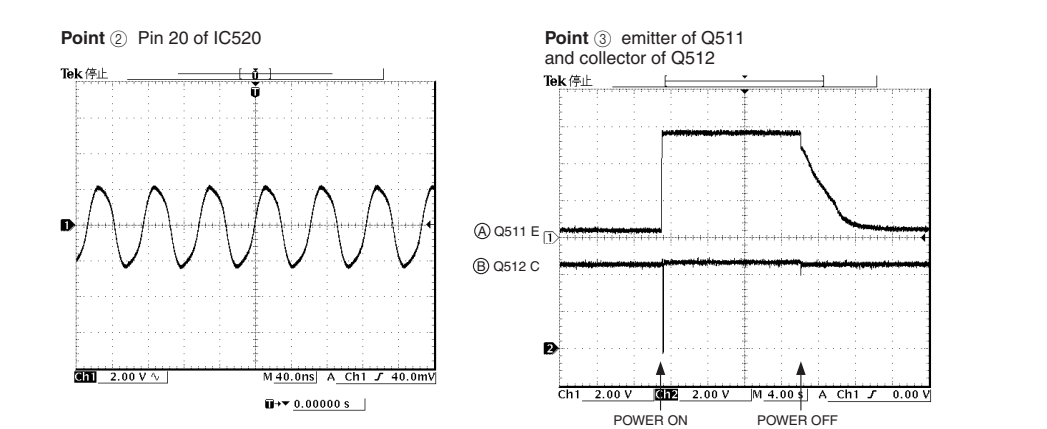
Circuit No.	J	U-C	R-L	T, K, B, G	A	Remarks	Comment
1	CS17-518	X	X	X	X	SEMKO	
2	R546-547	47	RD35447	47	RD35447	TUNER	
3	R662	X	X	X	X	TUNER	
4	R665	X	X	X	X	TUNER	
5	R672	4.7K	RD35414	4.7K	RD35414	TUNER	
6	IC506	B03841FS	B03841FS	B03841FS	B03841FS	IC506	
7	R577-908	10K	RD35710	10K	RD35710	TUNER	
8	R577-908	X	X	X	X	TUNER	
9	C560-565	4750	UR26747	4750	UR26747	C560-565	
10	C560-565	X	X	X	X	C560-565	
11	C562-566	X	X	X	X	C562-566	
12	C561-562	X	X	X	X	C561-562	
13	R587-588	X	X	X	X	R587-588	
14	R578-580	X	X	X	X	R578-580	
15	R581-582	X	X	X	X	R581-582	
16	R710-711	X	X	X	X	R710-711	
17	C571-572-579	X	X	X	X	C571-572-579	
18	IC526	X	X	X	X	IC526	
19	C568-603-604	X	X	X	X	C568-603-604	
20	C611-612	X	X	X	X	C611-612	
21	R635	X	X	X	X	R635	
22	R690-691	X	X	X	X	R690-691	
23	IC527	X	X	X	X	IC527	
24	C620-621	X	X	X	X	C620-621	
25	R693-693	X	X	X	X	R693-693	
26	R726-727	X	X	X	X	R726-727	
27	R623	X	X	X	X	R623	
28	C606-617-518	X	X	X	X	C606-617-518	
29	R783-784-785	X	X	X	X	R783-784-785	
30	R626-626	X	X	X	X	R626-626	
31	R601	X	X	X	X	R601	
32	C607	X	X	X	X	C607	
33	C533	X	X	X	X	C533	
34	C608	X	X	X	X	C608	
35	R344	X	X	X	X	R344	
36	R345	X	X	X	X	R345	
37	C609-610-611	X	X	X	X	C609-610-611	
38	C614-615	X	X	X	X	C614-615	
39	R636	X	X	X	X	R636	
40	R682-683	X	X	X	X	R682-683	
41	IC530	X	X	X	X	IC530	
42	C622-623	X	X	X	X	C622-623	
43	R694-698	X	X	X	X	R694-698	
44	R727-728	X	X	X	X	R727-728	
45	R616	X	X	X	X	R616	
46	C603-618-506	X	X	X	X	C603-618-506	
47	R787-788-789	X	X	X	X	R787-788-789	
48	R511-509	X	X	X	X	R511-509	
49	R519	X	X	X	X	R519	
50	C604	X	X	X	X	C604	
51	C613	X	X	X	X	C613	
52	R668	X	X	X	X	R668	
53	C616	X	X	X	X	C616	
54	R621	X	X	X	X	R621	
55	R622	X	X	X	X	R622	
56	C605-507-508	X	X	X	X	C605-507-508	
57	R712-715	X	X	X	X	R712-715	
58	R514-516	X	X	X	X	R514-516	
59							
60	J501-502	X	X	X	X	J501-502	
61	J503-504	X	X	X	X	J503-504	
62	J505-506	X	X	X	X	J505-506	
63	Q501	O	O	O	O	Q501	
64	R501-502-512	O	O	O	O	R501-502-512	
65	R514	O	O	O	O	R514	
66	CS11	O	O	O	O	CS11	
67	IC508	O	O	O	O	IC508	
68	R633-638	O	O	O	O	R633-638	
69							
70							
71	J501-502	WSP-244V1-03GL	WSP-244V1-01N1	WSP-244V1-01N1	WSP-244V1-01N1	J501-502	
72	J503	WSP-244V1-03GL	WSP-244V1-01N1	WSP-244V1-01N1	WSP-244V1-01N1	J503	
73	J504	WSP-244V1-03GL	WSP-244V1-01N1	WSP-244V1-01N1	WSP-244V1-01N1	J504	

NOTICE (model)  
 (J)..... JAPAN  
 (U)..... U.S.A  
 (C)..... CANADA  
 (R)..... GENERAL  
 (T)..... CHINA  
 (K)..... KOREA  
 (A)..... AUSTRALIA  
 (B)..... BRITISH  
 (G)..... EUROPE  
 (L)..... SINGAPORE

Mark	Reference Parts Number	Parts Name
k1	9502-953-508-510-513-514	2SC3338(A/B)
k2	9501-804-507-511-507-530	2SC3338(B)
k3	9503-505-509-512-531-532	A1037AK12/R/S1
k4	9503-537	2S1295A(E/F)

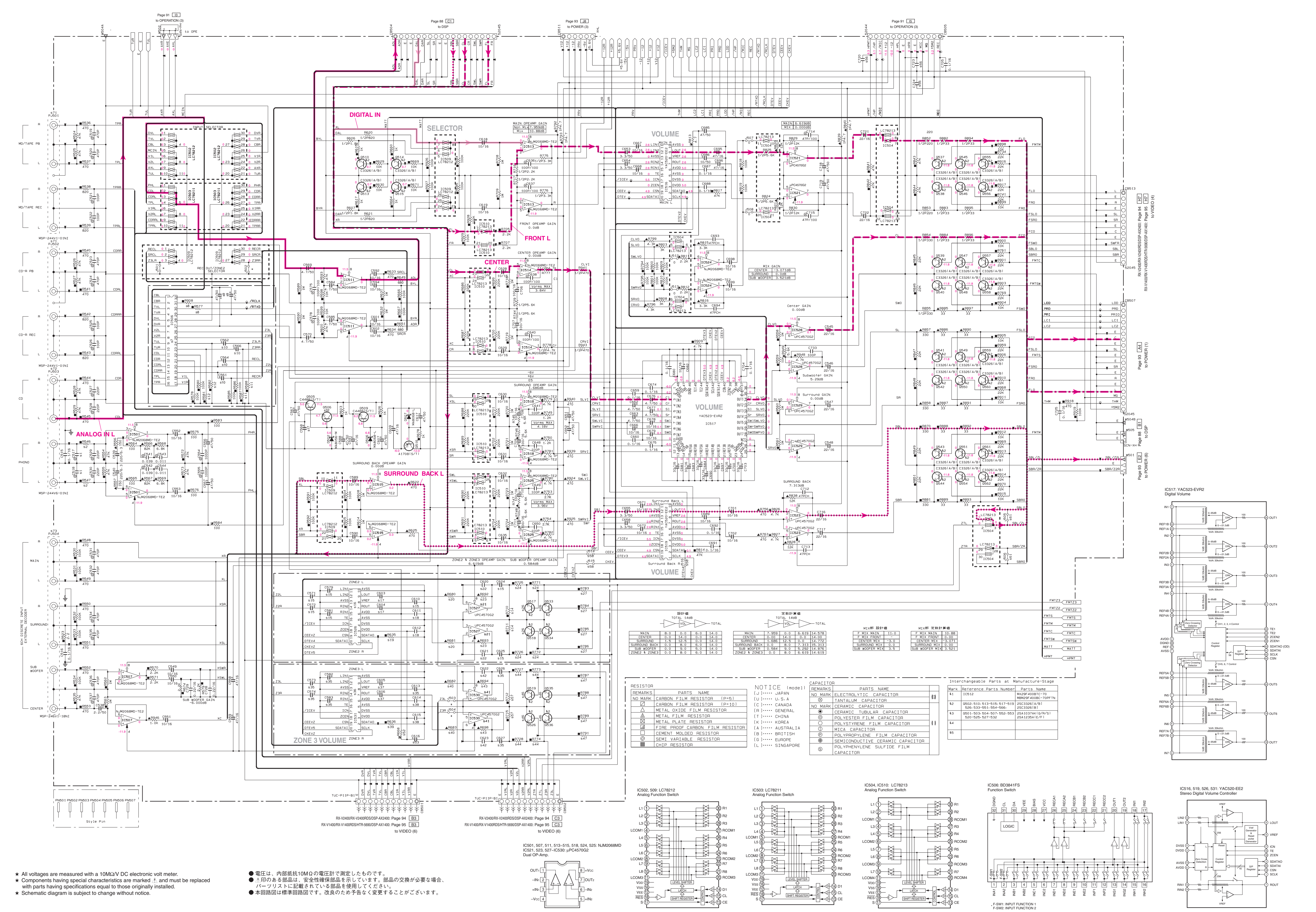
REMARKS	PARTS NAME
NO MARK	ELECTROLYTIC CAPACITOR
NO MARK	TANTALUM CAPACITOR
NO MARK	CERAMIC CAPACITOR
NO MARK	CERAMIC TUBULAR CAPACITOR
NO MARK	POLYESTER FILM CAPACITOR
NO MARK	POLYPROPYLENE FILM CAPACITOR
NO MARK	MICA CAPACITOR
NO MARK	POLYPROPYLENE FILM CAPACITOR
NO MARK	SEMICONDUCTIVE CERAMIC CAPACITOR
NO MARK	POLYPHENYLENE SULFIDE FILM CAPACITOR

REMARKS	PARTS NAME
NO MARK	CARBON FILM RESISTOR (P=5)
NO MARK	CARBON FILM RESISTOR (P=10)
NO MARK	METAL OXIDE FILM RESISTOR
NO MARK	METAL FILM RESISTOR
NO MARK	METAL PLATE RESISTOR
NO MARK	FINE-PROOF CARBON FILM RESISTOR
NO MARK	CEMENT MOLDED RESISTOR
NO MARK	SEMI-VARIABLE RESISTOR
NO MARK	CHIP RESISTOR



\* All voltages are measured with a 10MΩV DC electronic volt meter.  
 \* Components having special characteristics are marked !, and must be replaced with parts having specifications equal to those originally installed.  
 \* Schematic diagram is subject to change without notice.

SCHEMATIC DIAGRAM (FUNCTION 2/2)



設計値	実計値
TOTAL 14dB	TOTAL
MAIN 8.0 0.0 6.0 14.0	MAIN 7.959 0.0 6.619 14.578
CENTER 0.0 0.0 0.0 0.0	CENTER 0.0 0.0 0.0 0.0
SURROUND 1.5 12.5 0.0 14.0	SURROUND 1.688 12.5 0.0 14.772
SURROUND BACK 0.0 0.0 0.0 0.0	SURROUND BACK 0.0 0.0 0.0 0.0
SUB WOOFER 0.0 0.0 0.0 0.0	SUB WOOFER 0.0 0.0 0.0 0.0
ZONE 2 & ZONE 3 0.0 0.0 0.0 0.0	ZONE 2 & ZONE 3 0.0 0.0 6.619 14.619

設計値	実計値
TOTAL 14dB	TOTAL
MAIN 8.0 0.0 6.0 14.0	MAIN 7.959 0.0 6.619 14.578
CENTER 0.0 0.0 0.0 0.0	CENTER 0.0 0.0 0.0 0.0
SURROUND 1.5 12.5 0.0 14.0	SURROUND 1.688 12.5 0.0 14.772
SURROUND BACK 0.0 0.0 0.0 0.0	SURROUND BACK 0.0 0.0 0.0 0.0
SUB WOOFER 0.0 0.0 0.0 0.0	SUB WOOFER 0.0 0.0 0.0 0.0
ZONE 2 & ZONE 3 0.0 0.0 0.0 0.0	ZONE 2 & ZONE 3 0.0 0.0 6.619 14.619

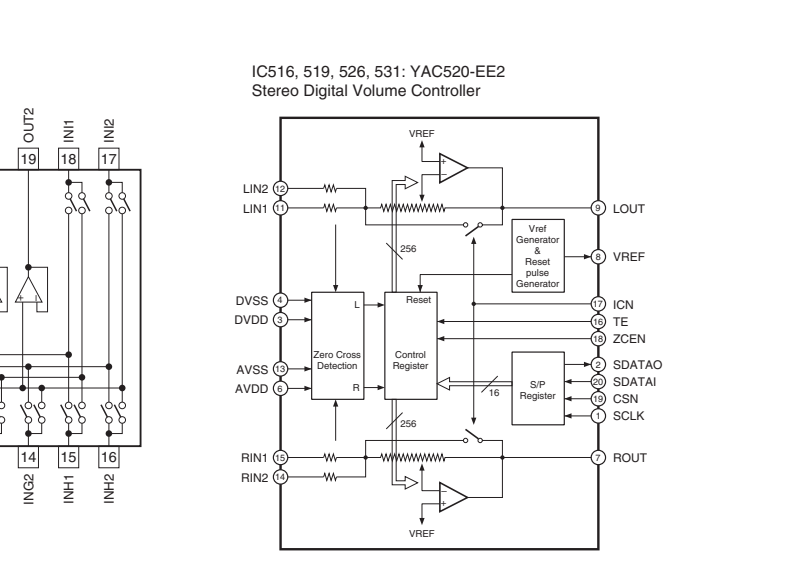
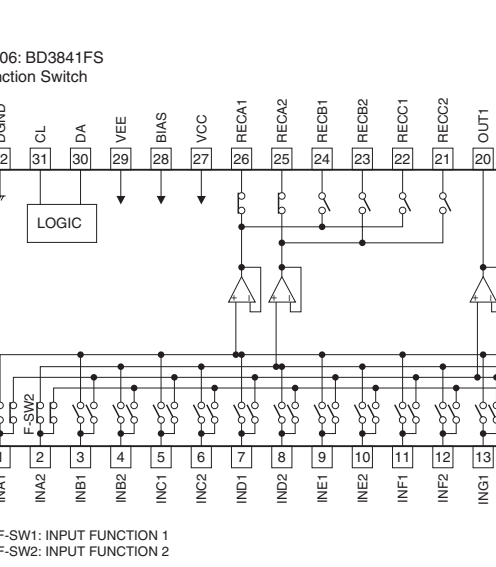
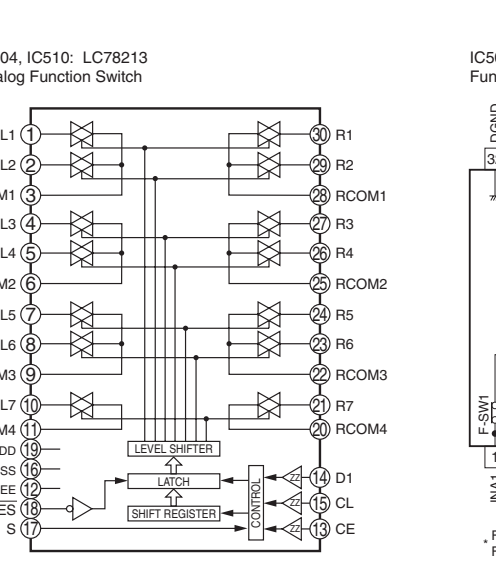
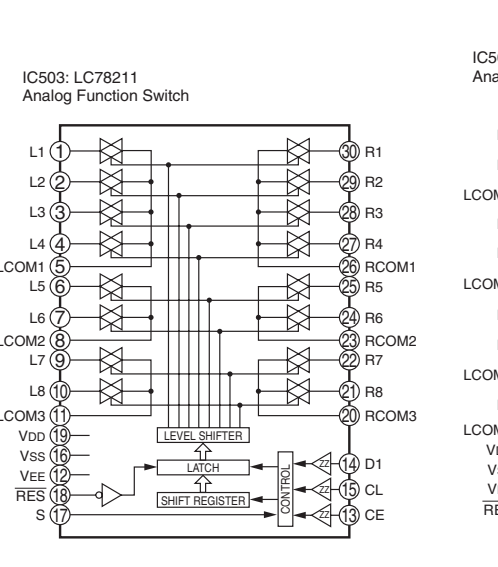
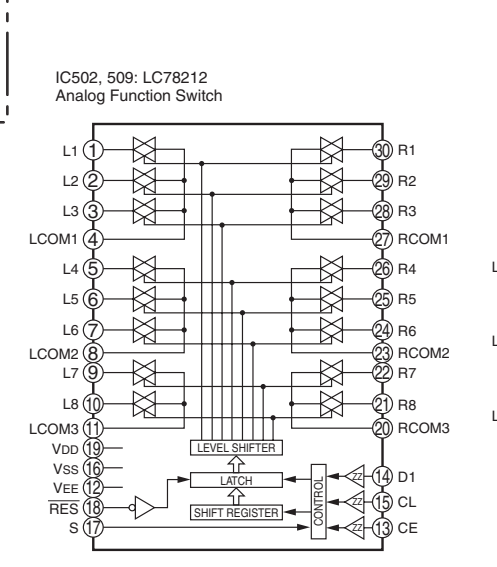
設計値	実計値
TOTAL 14dB	TOTAL
MAIN 8.0 0.0 6.0 14.0	MAIN 7.959 0.0 6.619 14.578
CENTER 0.0 0.0 0.0 0.0	CENTER 0.0 0.0 0.0 0.0
SURROUND 1.5 12.5 0.0 14.0	SURROUND 1.688 12.5 0.0 14.772
SURROUND BACK 0.0 0.0 0.0 0.0	SURROUND BACK 0.0 0.0 0.0 0.0
SUB WOOFER 0.0 0.0 0.0 0.0	SUB WOOFER 0.0 0.0 0.0 0.0
ZONE 2 & ZONE 3 0.0 0.0 0.0 0.0	ZONE 2 & ZONE 3 0.0 0.0 6.619 14.619

REMARKS	PARTS NAME
NO MARK	CARBON FILM RESISTOR (P=5)
△	CARBON FILM RESISTOR (P=10)
□	METAL OXIDE FILM RESISTOR
◇	METAL FILM RESISTOR
○	METAL PLATE RESISTOR
■	FIRE PROOF CARBON FILM RESISTOR
◎	CEMENT MOLDED RESISTOR
⊙	SEMI-VARIABLE RESISTOR
■	CHIP RESISTOR

REMARKS	PARTS NAME
(J)..... JAPAN	
(U)..... U.S.A	
(C)..... CANADA	
(R)..... GENERAL	
(T)..... CHINA	
(K)..... KOREA	
(A)..... AUSTRALIA	
(B)..... BRITISH	
(G)..... EUROPE	
(L)..... SINGAPORE	

REMARKS	PARTS NAME
NO MARK	ELECTROLYTIC CAPACITOR
□	TANTALUM CAPACITOR
○	POLYESTER FILM CAPACITOR
◇	CERAMIC TUBULAR CAPACITOR
△	CERAMIC DISC CAPACITOR
●	POLYSTYRENE FILM CAPACITOR
⊙	MICA CAPACITOR
⊚	POLYPROPYLENE FILM CAPACITOR
⊛	SEMICONDUCTIVE CERAMIC CAPACITOR
⊜	POLYPHENYLENE SULFIDE FILM CAPACITOR

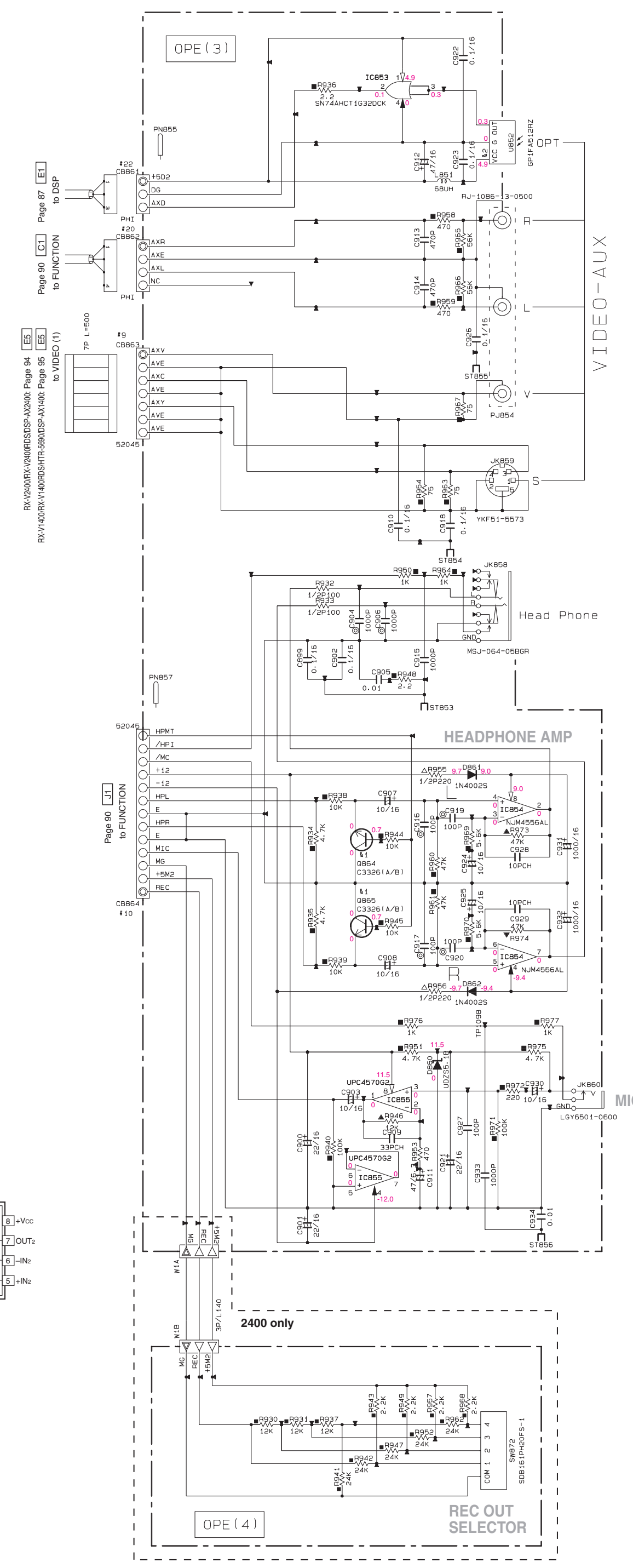
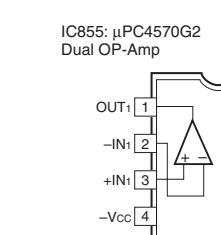
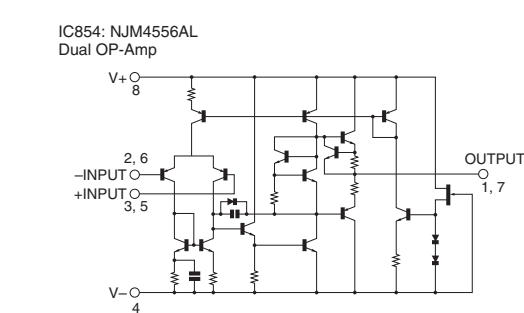
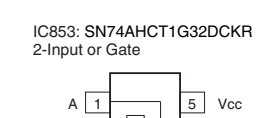
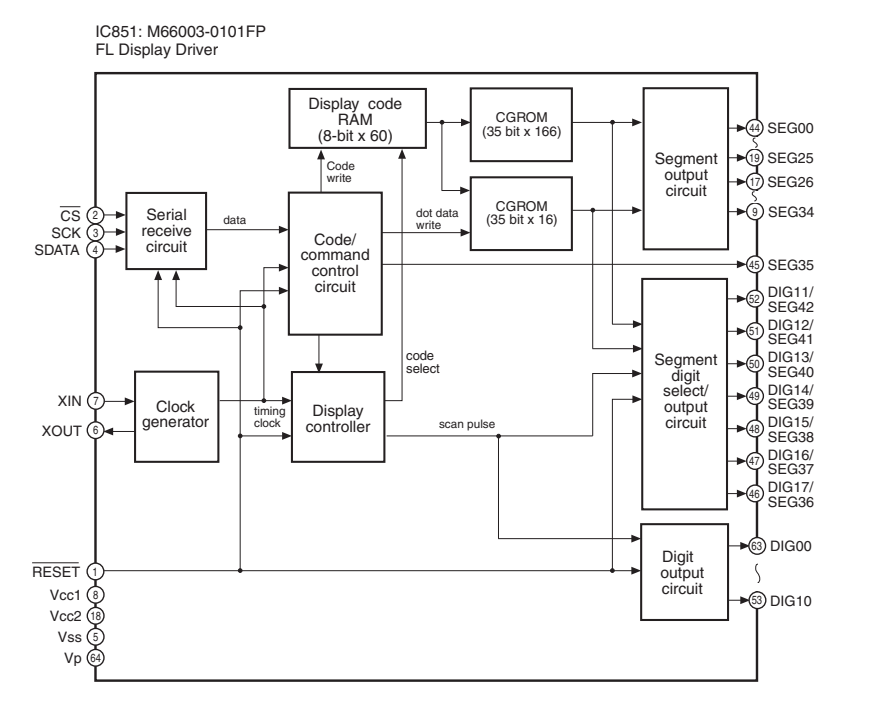
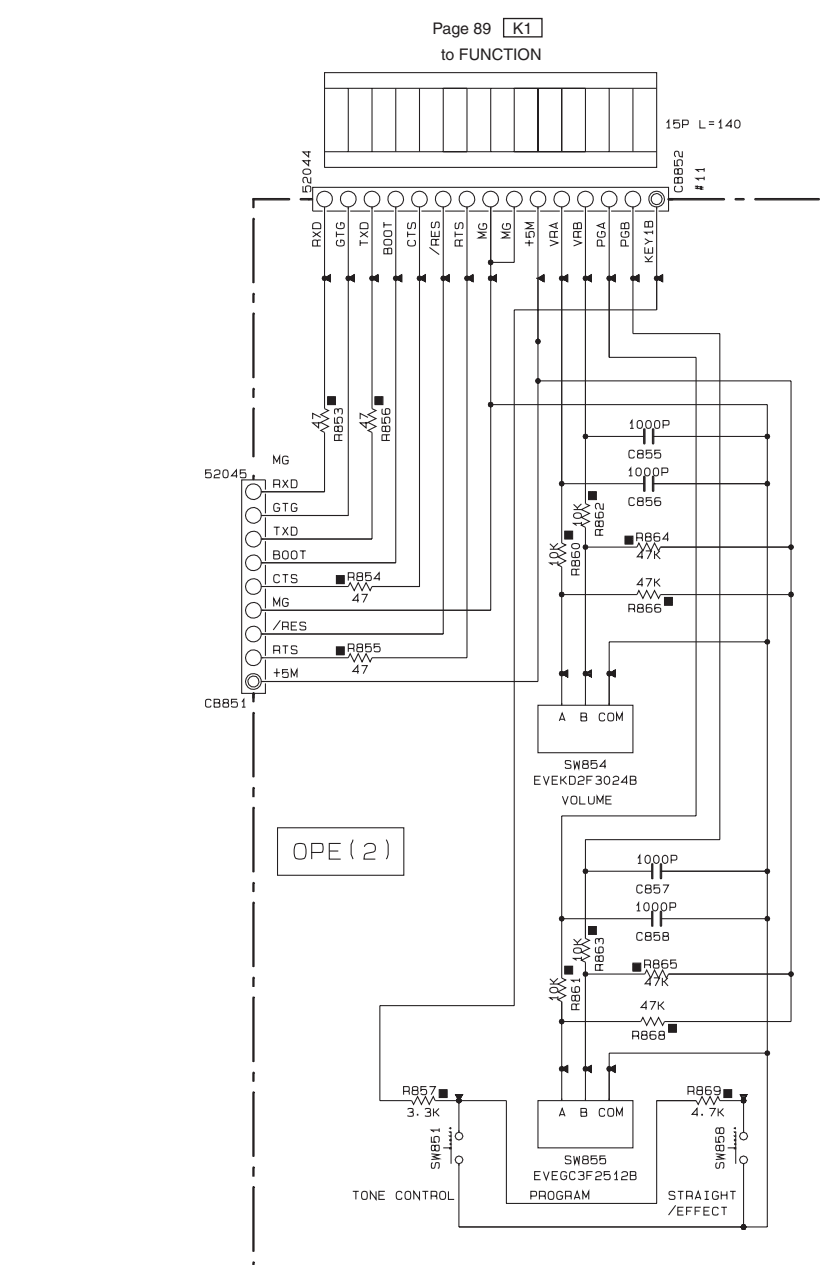
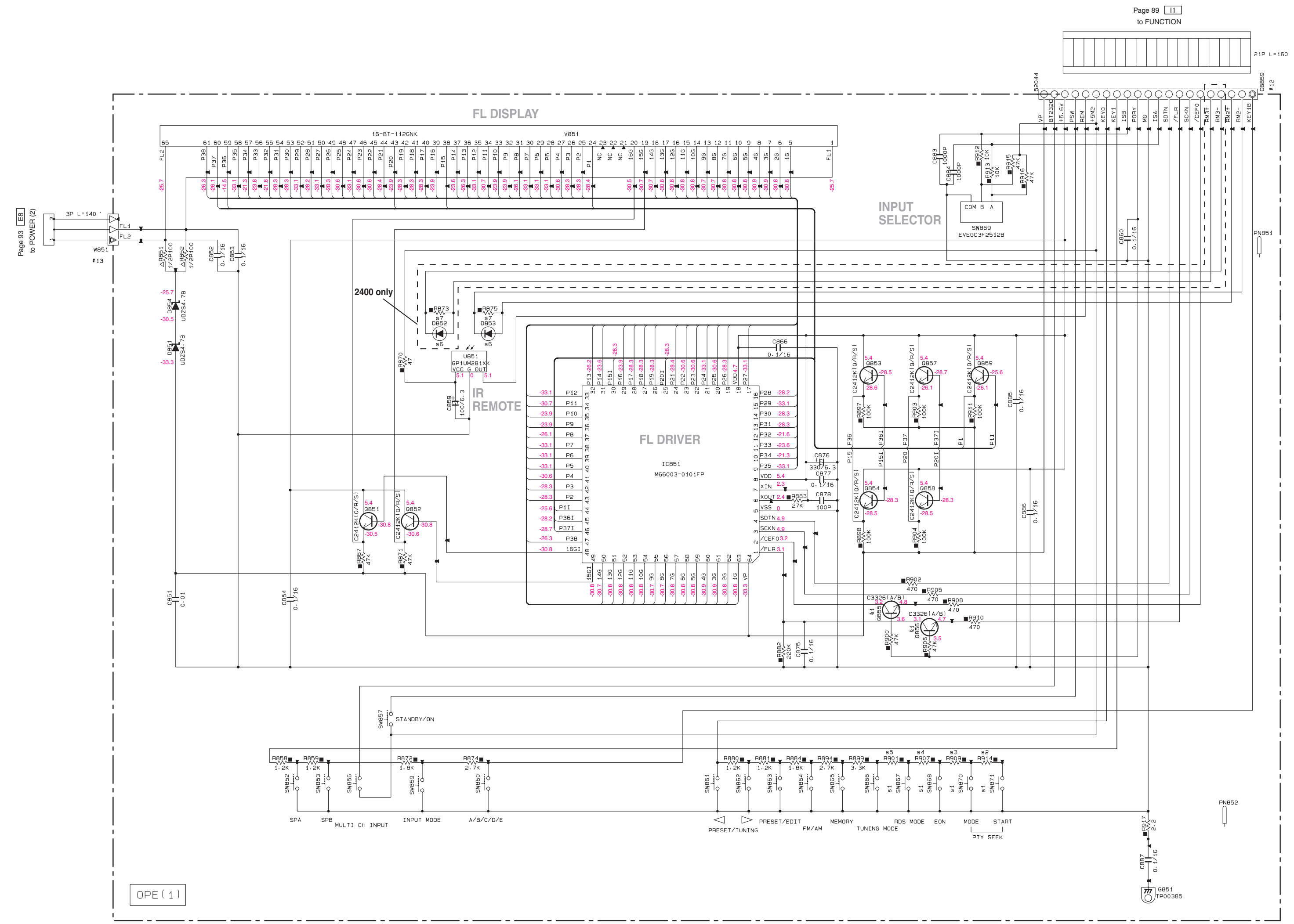
Mark	Reference Parts Number	Parts Name
41	IC512	M29F4008C-70
42	0902 610-913-918-517-519	M29F3008A/B
43	526-533-551-554-566-	25C326181
44	9201-003-004-507-550-553	25A1037AK (D/R/S)
45	520-925-527-638	25A12504E/P1



\* All voltages are measured with a 10MΩ/2V DC electronic volt meter.  
 \* Components having special characteristics are marked with a star and must be replaced with parts having specifications equal to those originally installed.  
 \* Schematic diagram is subject to change without notice.

● 電圧は、内部抵抗10MΩの電圧計で測定したものです。  
 ● \*印のある部品は、安全性確保部品を示しています。部品の交換が必要な場合、パーツリストに記載されている部品を使用してください。  
 ● 本回路図は標準回路図です。改良のため予告なく変更することがございます。

SCHEMATIC DIAGRAM (OPERATION)



NOTICE (model)  
 (J)..... JAPAN  
 (U)..... U.S.A  
 (C)..... CANADA  
 (R)..... GENERAL  
 (T)..... CHINA  
 (K)..... KOREA  
 (A)..... AUSTRALIA  
 (B)..... BRITISH  
 (G)..... EUROPE  
 (L)..... SINGAPORE

RESISTOR

REMARKS	PARTS NAME
NO MARK	CARBON FILM RESISTOR (P=5)
□	CARBON FILM RESISTOR (P=10)
△	METAL OXIDE FILM RESISTOR
⊠	METAL FILM RESISTOR
⊡	METAL PLATE RESISTOR
⊞	FIRE PROOF CARBON FILM RESISTOR
⊞	CEMENT MOLDED RESISTOR
⊞	SEMI VARIABLE RESISTOR
⊞	CHIP RESISTOR

CAPACITOR

REMARKS	PARTS NAME
NO MARK	ELECTROLYTIC CAPACITOR
⊞	TANTALUM CAPACITOR
NO MARK	CERAMIC CAPACITOR
⊞	CERAMIC TUBULAR CAPACITOR
⊞	POLYESTER FILM CAPACITOR
⊞	POLYSTYRENE FILM CAPACITOR
⊞	MICA CAPACITOR
⊞	POLYPROPYLENE FILM CAPACITOR
⊞	SEMICONDUCTIVE CERAMIC CAPACITOR
⊞	POLYPHENYLENE SULFIDE FILM CAPACITOR

Interchangeable Parts at Manufacture Stage

Mark	Reference Parts Number	Parts Name
K1	0855-855-864-865	P5C33261A/B1
K2	0852	SP1F4018R2 SP1F4018R2
K3		
K4		
K5		

2400

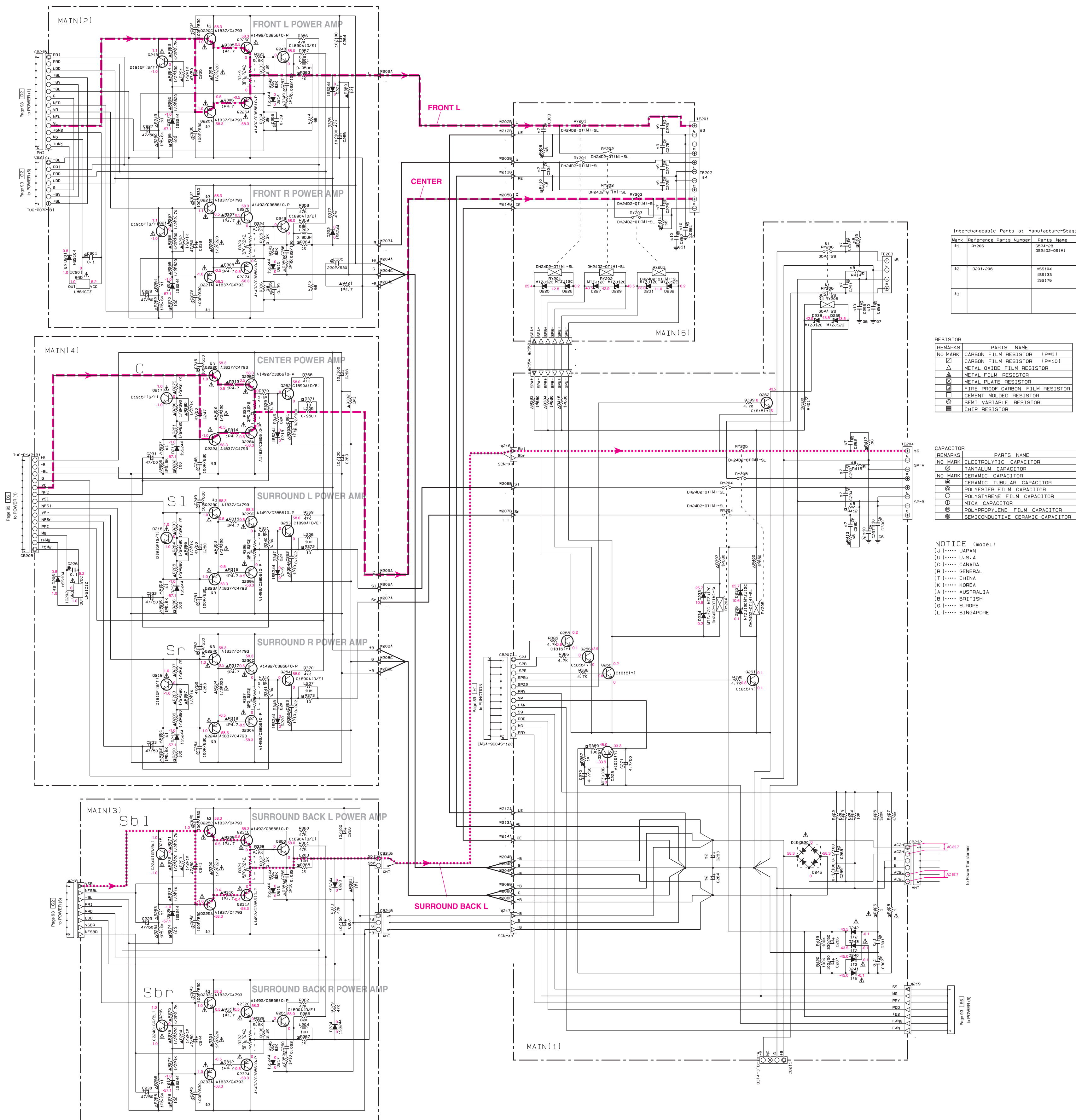
DSP-AX2400	RX-V2400	RX-V2400RDS
IC/Circuit No.	J-R-T-K-L	U-C-A
1	SW867-868	X
2	RB14	X
3	R909	X
4	R907	X
5	R901	X
6	DB52-853	X
7	RB73-875	X

1400

DSP-AX1400	RX-V1400	RX-V1400RDS
IC/Circuit No.	J-R-T-K-L	U-C-A
1	SW867-868	X
2	RB14	X
3	R909	X
4	R907	X
5	R901	X
6	DB53	X
7	RB75	X

\* All voltages are measured with a 10MQV DC electronic volt meter.  
 \* 電圧は、内部抵抗10MQの電圧計で測定したものです。  
 \* Components having special characteristics are marked !, and must be replaced with parts having specifications equal to those originally installed.  
 \* 上記のある部品は、安全性確保部品を示しています。部品の交換が必要な場合、パーツリストに記載されている部品を使用してください。  
 \* Schematic diagram is subject to change without notice.  
 \* 本回路図は標準回路図です。改良のため予告なく変更することがございます。

SCHEMATIC DIAGRAM (MAIN)



Interchangeable Parts at Manufacture-Stage

Mark	Reference Parts Number	Parts Name
41	RV006	0594-78 052402-051M
42	0201-206	H55104 155153 155176
43		

RESISTOR

REMARKS	PARTS NAME
NO MARK	CARBON FILM RESISTOR (P=5)
□	CARBON FILM RESISTOR (P=10)
△	METAL OXIDE FILM RESISTOR
▲	METAL FILM RESISTOR
⊠	METAL PLATE RESISTOR
■	FIRE PROOF CARBON FILM RESISTOR
⊙	CEMENT MOLDED RESISTOR
⊚	SEMI VARIABLE RESISTOR
■	CHIP RESISTOR

CAPACITOR

REMARKS	PARTS NAME
NO MARK	ELECTROLYTIC CAPACITOR
⊗	TANTALUM CAPACITOR
NO MARK	CERAMIC CAPACITOR
⊙	CERAMIC TUBULAR CAPACITOR
⊚	POLYESTER FILM CAPACITOR
○	POLYSTYRENE FILM CAPACITOR
⊖	MICA CAPACITOR
⊕	POLYPROPYLENE FILM CAPACITOR
●	SEMICONDUCTIVE CERAMIC CAPACITOR

NOTICE (model)

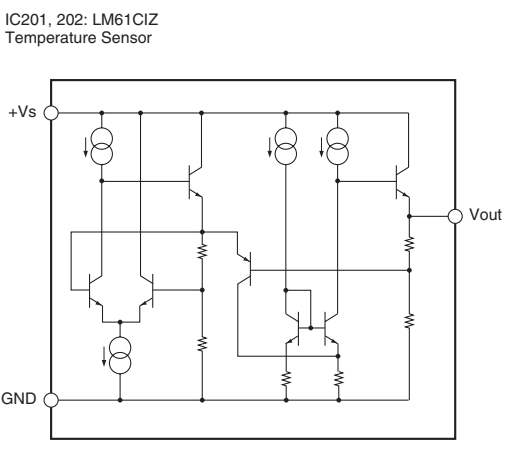
(J)..... JAPAN  
 (U)..... U.S.A  
 (C)..... CANADA  
 (R)..... GENERAL  
 (T)..... CHINA  
 (K)..... KOREA  
 (A)..... AUSTRALIA  
 (B)..... BRITISH  
 (G)..... EUROPE  
 (L)..... SINGAPORE

2400

	J	U.C.R.T.A	K.B.G.L
41	Y241150	Y241170	Y241170
42	Y241150	Y241150	Y241150
43	Y241150	Y241150	Y241150
44	Y241150	Y241150	Y241150
45	Y241150	Y241150	Y241150
46	Y241150	Y241150	Y241150
47	Y241150	Y241150	Y241150
48	Y241150	Y241150	Y241150
49	Y241150	Y241150	Y241150
50	Y241150	Y241150	Y241150

1400

	J	U.C.R.T.A	K.B.G.L
41	Y241150	Y241170	Y241170
42	Y241150	Y241150	Y241150
43	Y241150	Y241150	Y241150
44	Y241150	Y241150	Y241150
45	Y241150	Y241150	Y241150
46	Y241150	Y241150	Y241150
47	Y241150	Y241150	Y241150
48	Y241150	Y241150	Y241150
49	Y241150	Y241150	Y241150
50	Y241150	Y241150	Y241150

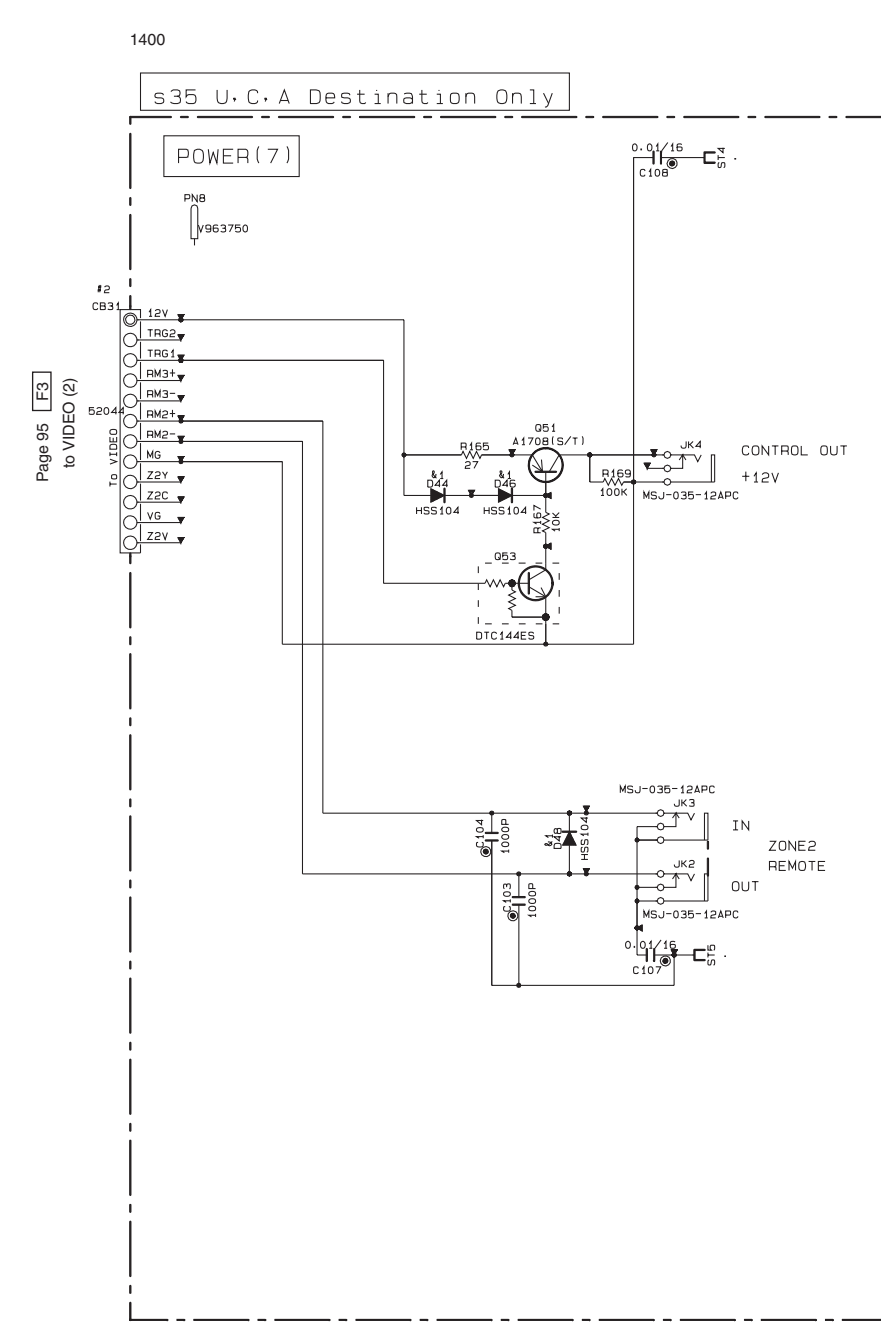
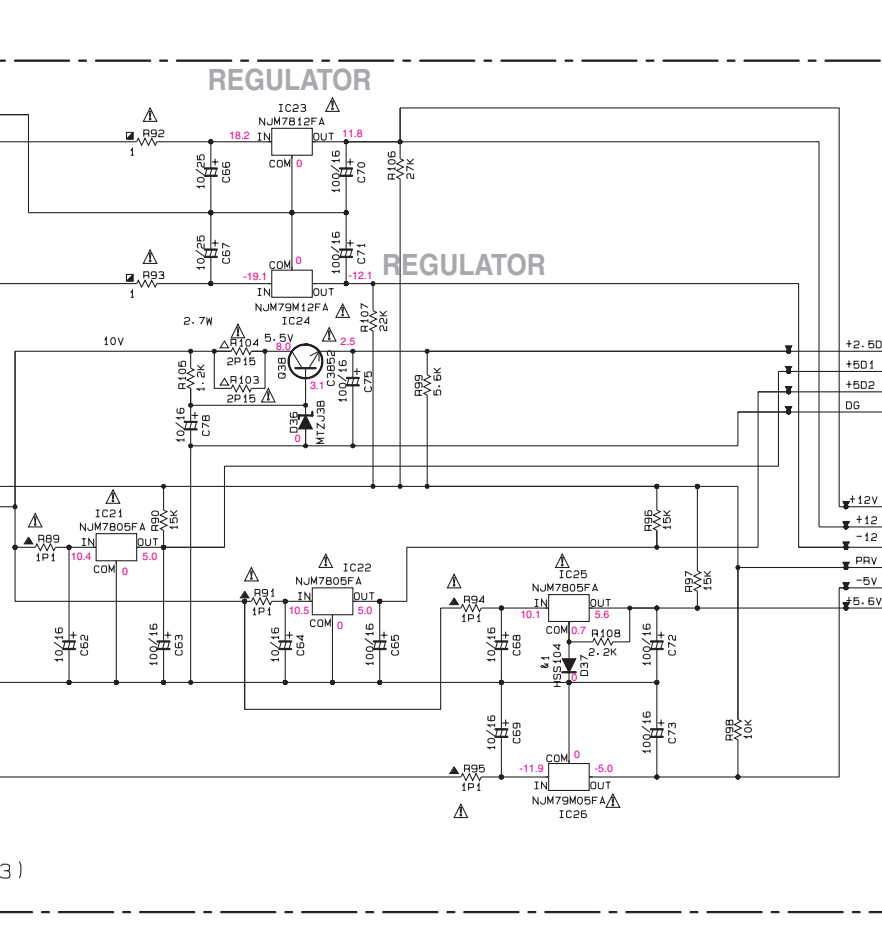
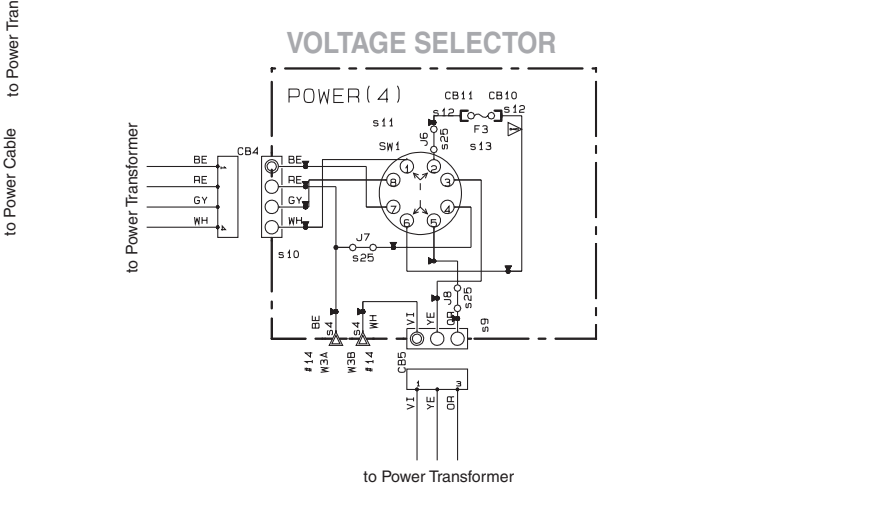
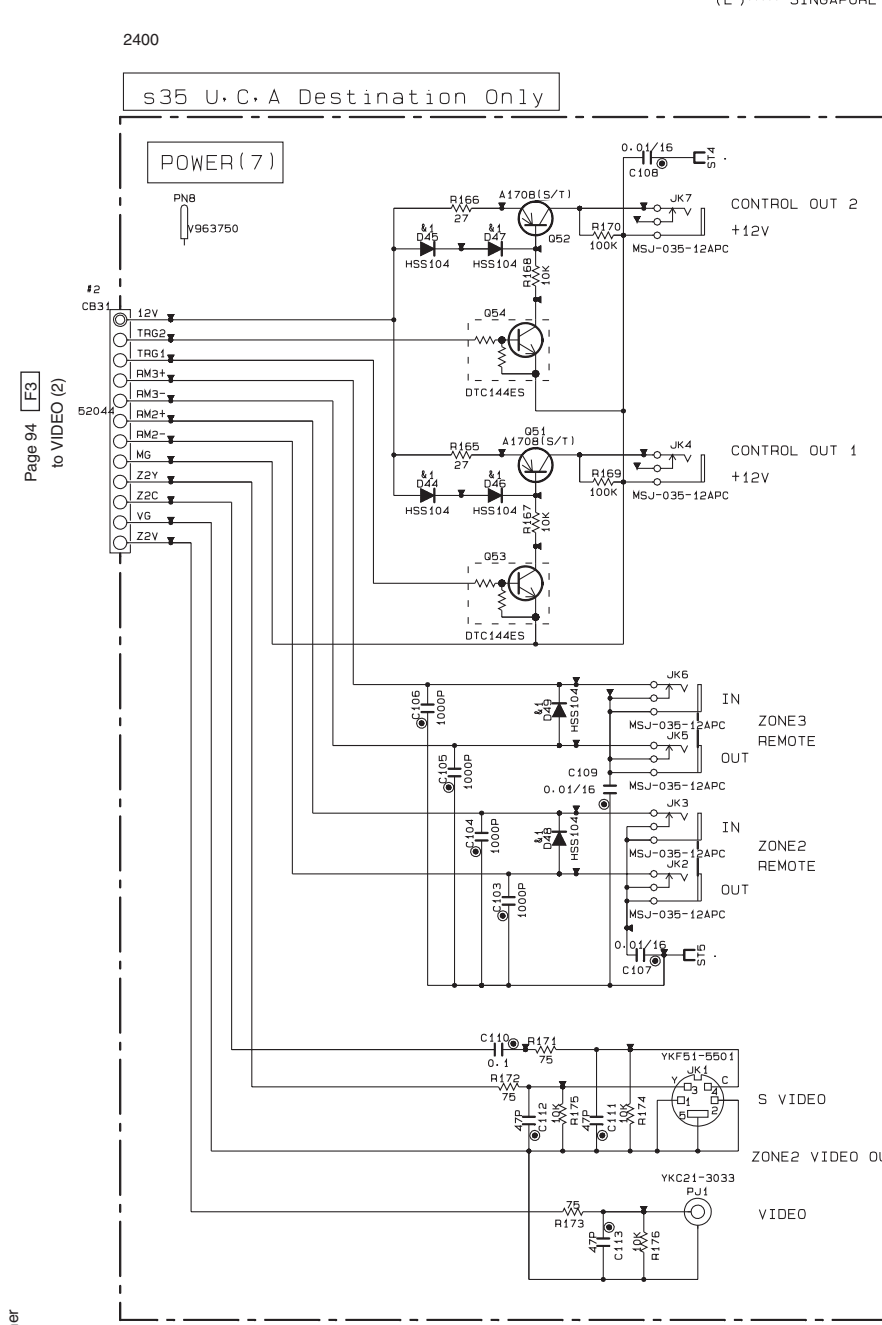
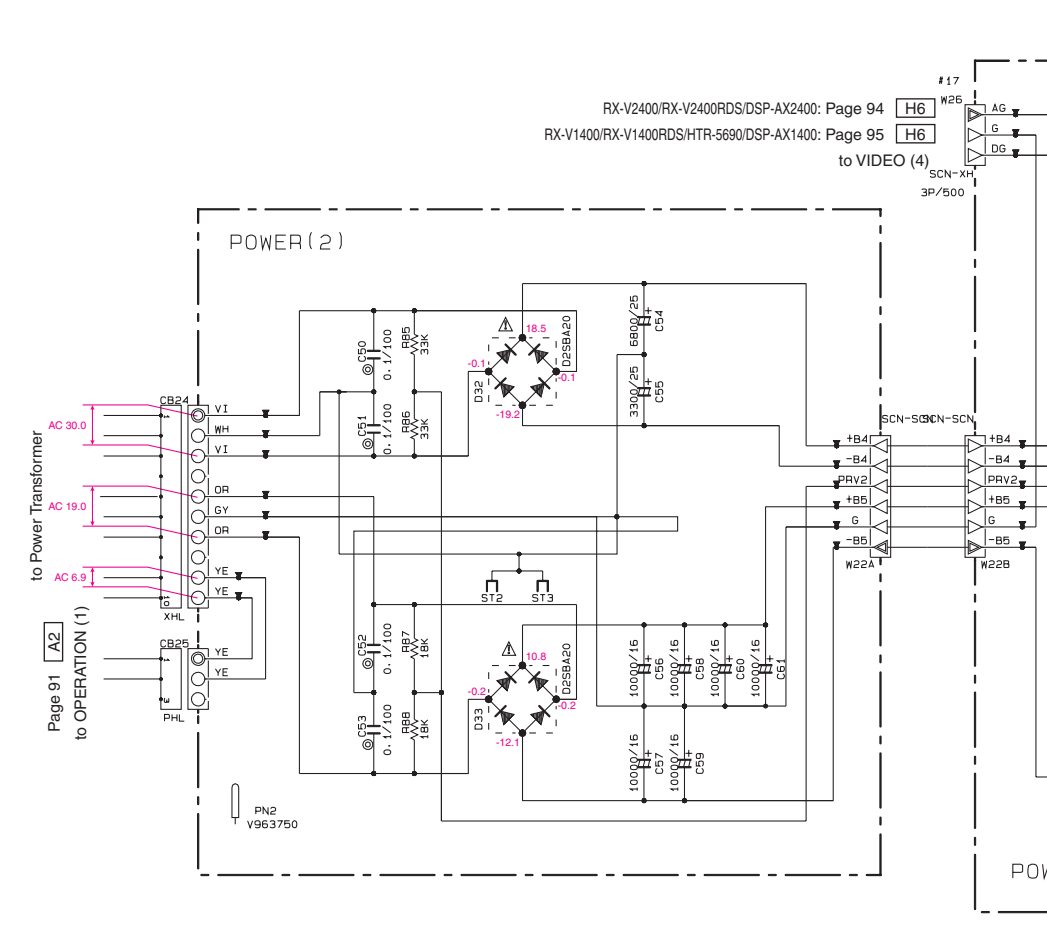
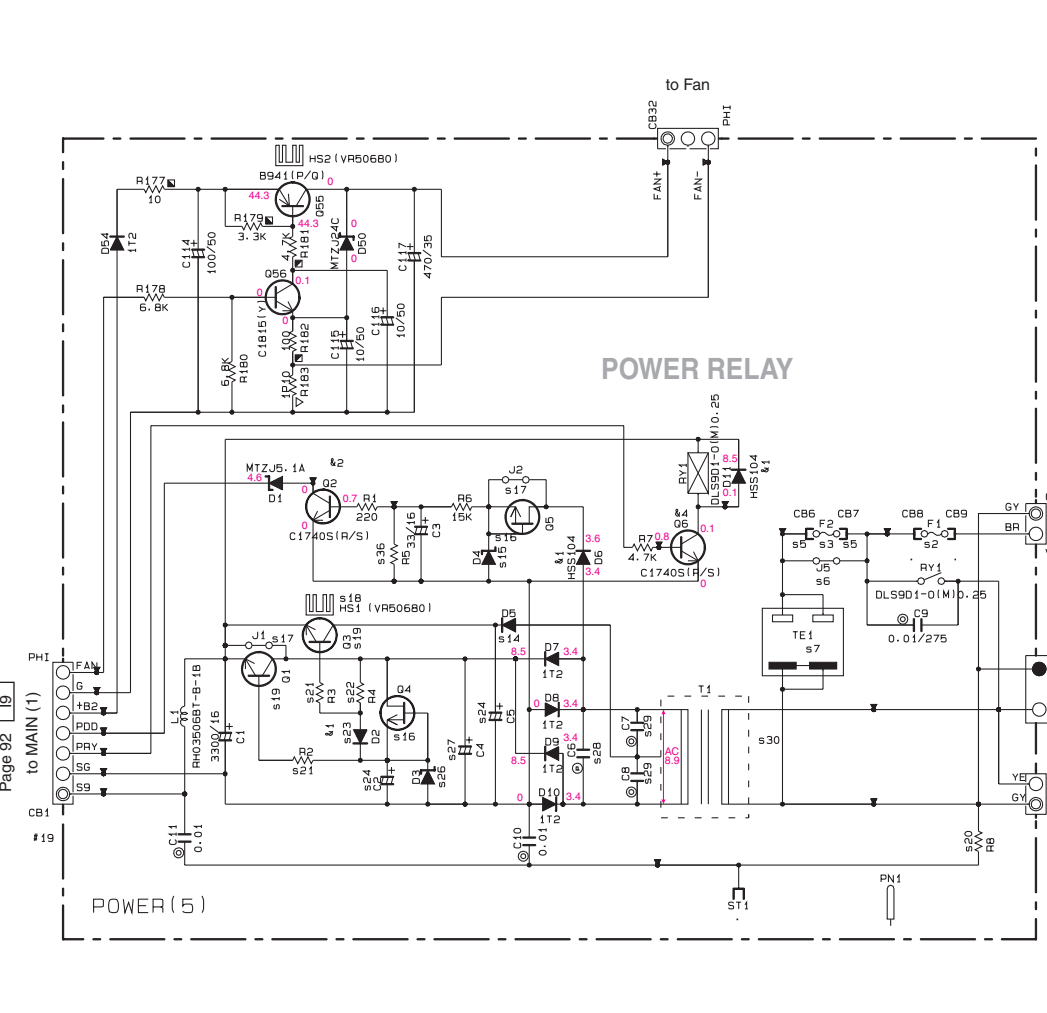
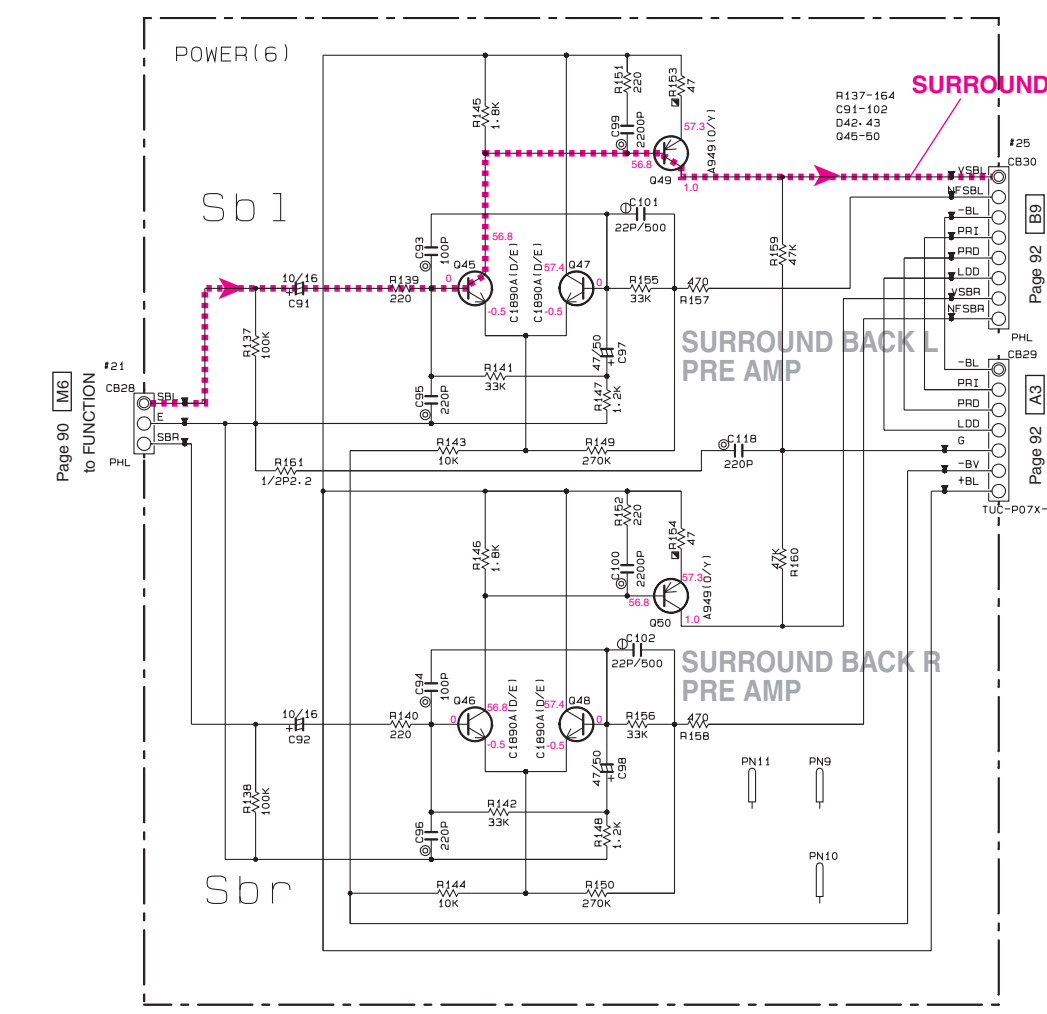
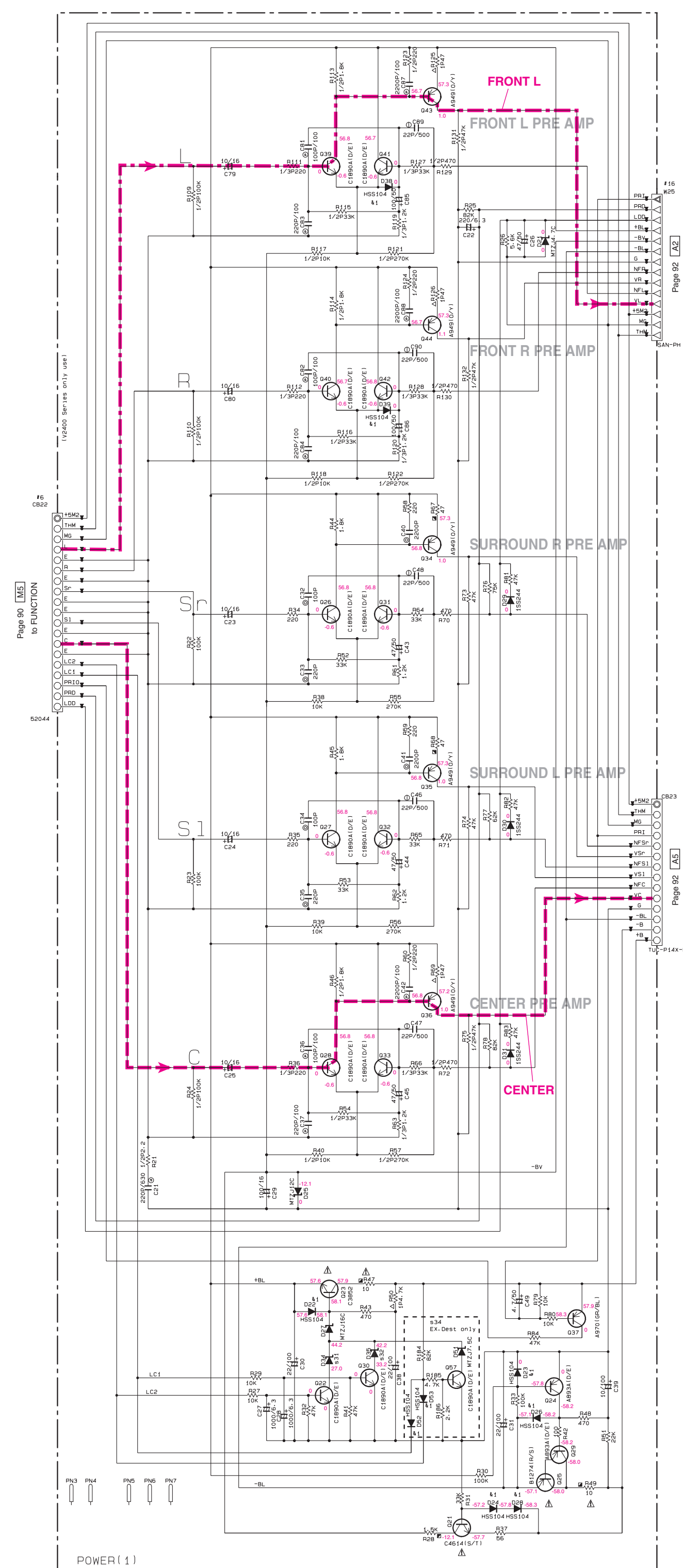


\* All voltages are measured with a 10MΩ/V DC electronic volt meter.  
 \* Components having special characteristics are marked "!" and must be replaced with parts having specifications equal to those originally installed.  
 \* Schematic diagram is subject to change without notice.

● 電圧は、内部抵抗10MΩの電圧計で測定したものです。  
 ● !印のある部品は、安全性確保部品を示しています。部品の交換が必要な場合、パーツリストに記載されている部品を使用してください。  
 ● 本回路図は標準回路図です。改良のため予告なく変更することがございます。

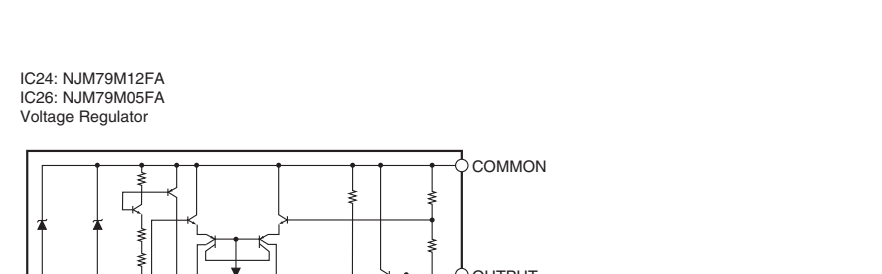
SCHEMATIC DIAGRAM (POWER)

NOTICE (note 1)  
 (J) JAPAN  
 (U) U.S.A  
 (C) CANADA  
 (R) GENERAL  
 (T) CHINA  
 (K) KOREA  
 (A) ASYRIA  
 (B) BRITISH  
 (G) EUROPE  
 (L) SINGAPORE



RESISTOR	PARTS NAME	CAPACITOR	PARTS NAME
NO MARK	CARBON FILM RESISTOR (P=5)	NO MARK	ELECTROLYTIC CAPACITOR
△	CARBON FILM RESISTOR (P=10)	NO MARK	TANTALUM CAPACITOR
□	METAL OXIDE FILM RESISTOR	NO MARK	CERAMIC CAPACITOR
◇	METAL FILM RESISTOR	NO MARK	CERAMIC TUBULAR CAPACITOR
○	METAL PLATE RESISTOR	⊙	POLYESTER FILM CAPACITOR
□	FINE PROOF CARBON FILM RESISTOR	⊖	POLYETHYLENE FILM CAPACITOR
□	CEMENT MOLDED RESISTOR	⊕	MICA CAPACITOR
⊖	SEMI-VARIABLE RESISTOR	⊙	POLYPROPYLENE FILM CAPACITOR
■	CHIP RESISTOR	⊕	SEMICONDUCTIVE CERAMIC CAPACITOR

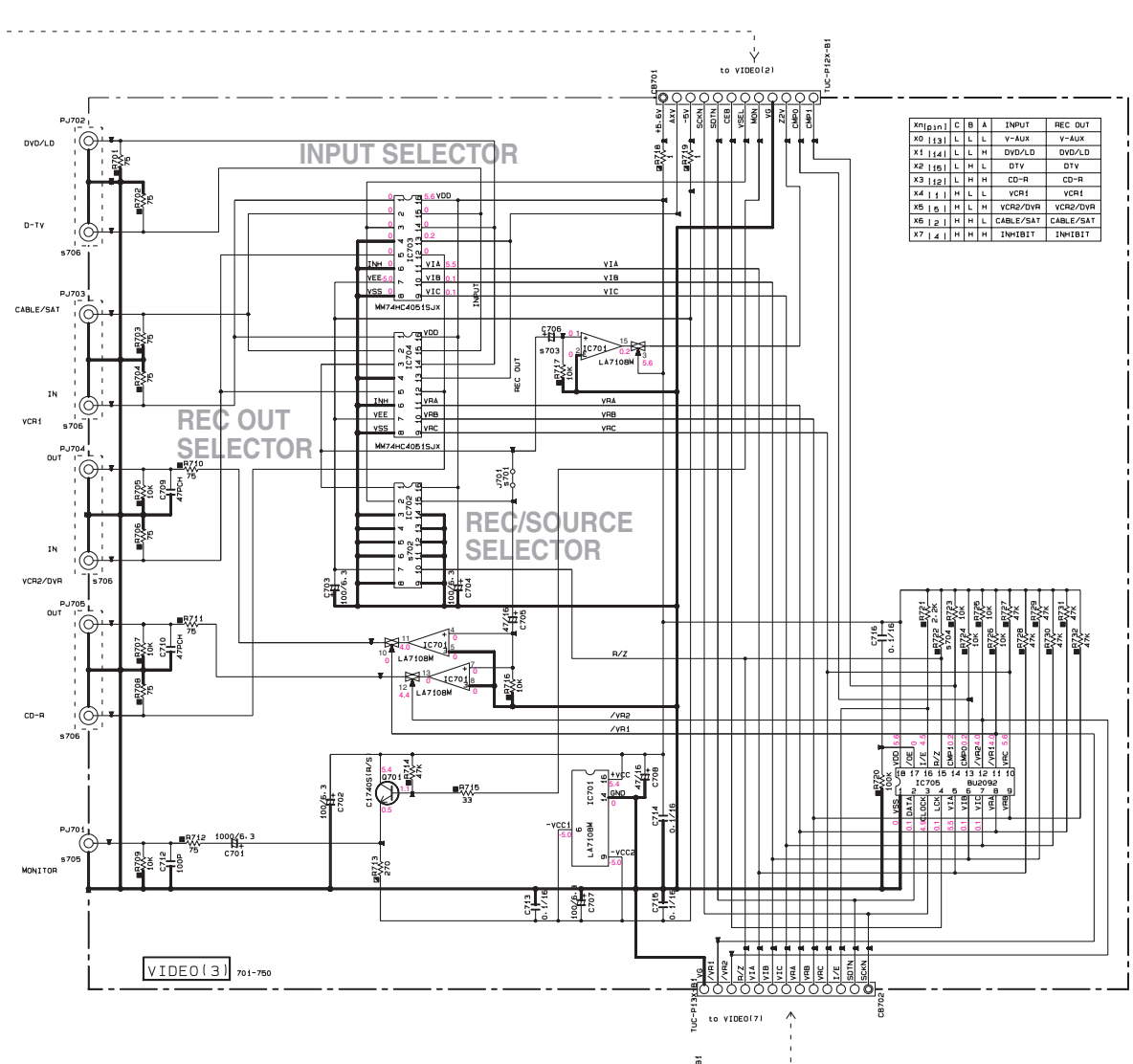
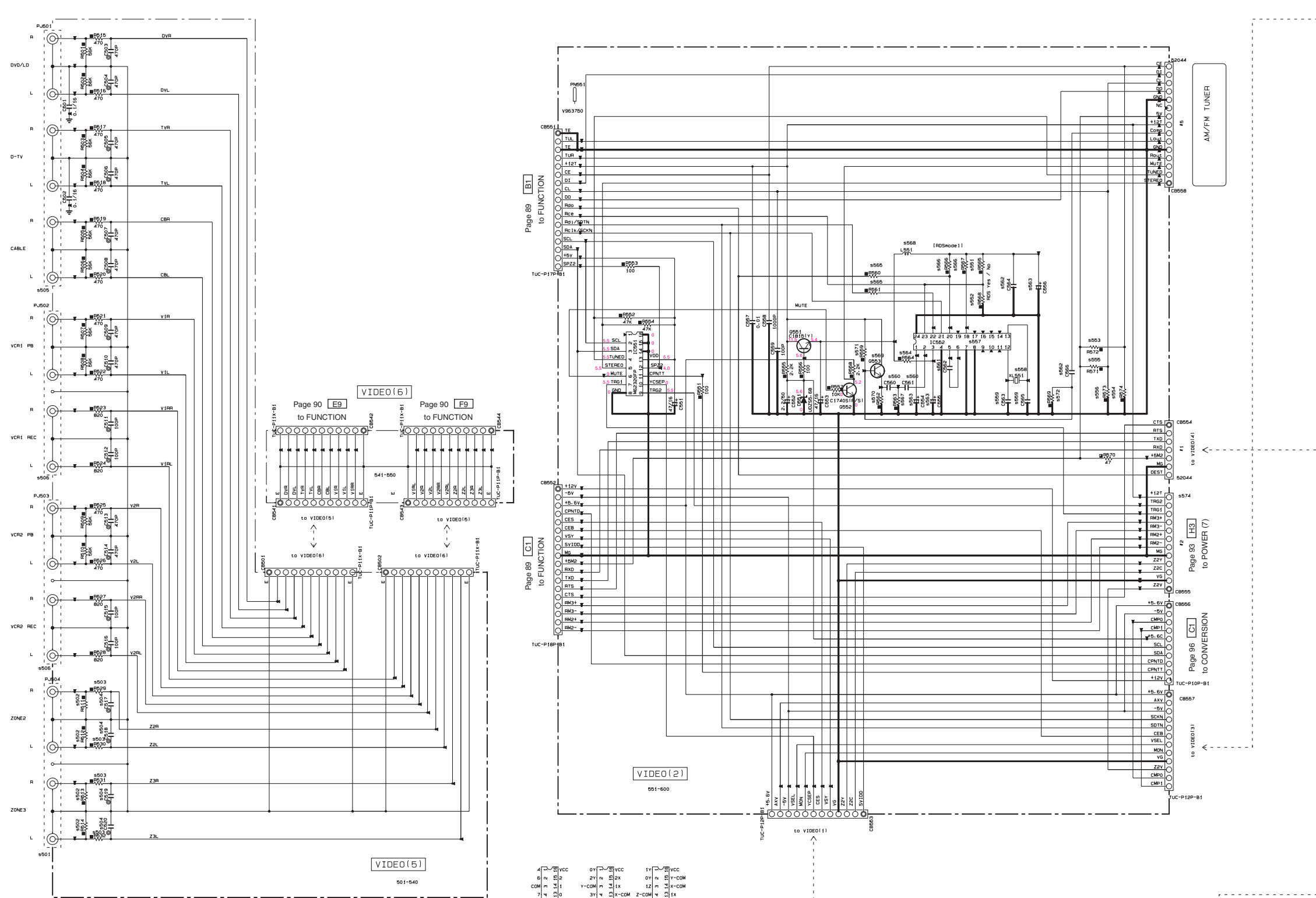
Mark	Reference Parts Number	Parts Name
41	206-4-11-20-24-26-28	HS514
42	207-39-44-49-50-53	155130
		155176
43	25C174051R/51	25C174051R/51
	25C20051R/51	25C20051R/51
	25C33141G/4/51	25C33141G/4/51



	J	U.C	R	L	T-K	A	B	G	Remarks
S1 TE2	R-30190 M89350	R-30190 M87820	x	x	x	x	x	R-30190 M87820	2400
S2 P1	R-30190 V88200	R-30190 V88200	x	x	x	x	x	R-30190 V88200	1400
S3 P2	10A120V V88200	10A120V V88200	10A120V V88200	10A120V V88200	10A120V V88200	10A120V V88200	10A120V V88200	10A120V V88200	
S4	x	x	10A120V V88200	x	x	x	x	10A120V V88200	
S5	x	x	10A120V V88200	x	x	x	x	10A120V V88200	
S6	x	x	10A120V V88200	x	x	x	x	10A120V V88200	
S7	x	x	10A120V V88200	x	x	x	x	10A120V V88200	
S8	x	x	10A120V V88200	x	x	x	x	10A120V V88200	
S9	x	x	10A120V V88200	x	x	x	x	10A120V V88200	
S10	x	x	10A120V V88200	x	x	x	x	10A120V V88200	
S11	x	x	10A120V V88200	x	x	x	x	10A120V V88200	
S12	x	x	10A120V V88200	x	x	x	x	10A120V V88200	
S13	x	x	10A120V V88200	x	x	x	x	10A120V V88200	
S14	x	x	10A120V V88200	x	x	x	x	10A120V V88200	
S15	x	x	10A120V V88200	x	x	x	x	10A120V V88200	
S16	x	x	10A120V V88200	x	x	x	x	10A120V V88200	
S17	x	x	10A120V V88200	x	x	x	x	10A120V V88200	
S18	x	x	10A120V V88200	x	x	x	x	10A120V V88200	
S19	x	x	10A120V V88200	x	x	x	x	10A120V V88200	
S20	x	x	10A120V V88200	x	x	x	x	10A120V V88200	
S21	x	x	10A120V V88200	x	x	x	x	10A120V V88200	
S22	x	x	10A120V V88200	x	x	x	x	10A120V V88200	
S23	x	x	10A120V V88200	x	x	x	x	10A120V V88200	
S24	x	x	10A120V V88200	x	x	x	x	10A120V V88200	
S25	x	x	10A120V V88200	x	x	x	x	10A120V V88200	
S26	x	x	10A120V V88200	x	x	x	x	10A120V V88200	
S27	x	x	10A120V V88200	x	x	x	x	10A120V V88200	
S28	x	x	10A120V V88200	x	x	x	x	10A120V V88200	
S29	x	x	10A120V V88200	x	x	x	x	10A120V V88200	
S30	x	x	10A120V V88200	x	x	x	x	10A120V V88200	
S31	x	x	10A120V V88200	x	x	x	x	10A120V V88200	
S32	x	x	10A120V V88200	x	x	x	x	10A120V V88200	
S33	x	x	10A120V V88200	x	x	x	x	10A120V V88200	
S34	x	x	10A120V V88200	x	x	x	x	10A120V V88200	
S35	x	x	10A120V V88200	x	x	x	x	10A120V V88200	
S36	x	x	10A120V V88200	x	x	x	x	10A120V V88200	
S37	x	x	10A120V V88200	x	x	x	x	10A120V V88200	
S38	x	x	10A120V V88200	x	x	x	x	10A120V V88200	
S39	x	x	10A120V V88200	x	x	x	x	10A120V V88200	
S40	x	x	10A120V V88200	x	x	x	x	10A120V V88200	
S41	x	x	10A120V V88200	x	x	x	x	10A120V V88200	
S42	x	x	10A120V V88200	x	x	x	x	10A120V V88200	
S43	x	x	10A120V V88200	x	x	x	x	10A120V V88200	
S44	x	x	10A120V V88200	x	x	x	x	10A120V V88200	
S45	x	x	10A120V V88200	x	x	x	x	10A120V V88200	
S46	x	x	10A120V V88200	x	x	x	x	10A120V V88200	
S47	x	x	10A120V V88200	x	x	x	x	10A120V V88200	
S48	x	x	10A120V V88200	x	x	x	x	10A120V V88200	
S49	x	x	10A120V V88200	x	x	x	x	10A120V V88200	
S50	x	x	10A120V V88200	x	x	x	x	10A120V V88200	
S51	x	x	10A120V V88200	x	x	x	x	10A120V V88200	
S52	x	x	10A120V V88200	x	x	x	x	10A120V V88200	
S53	x	x	10A120V V88200	x	x	x	x	10A120V V88200	
S54	x	x	10A120V V88200	x	x	x	x	10A120V V88200	
S55	x	x	10A120V V88200	x	x	x	x	10A120V V88200	
S56	x	x	10A120V V88200	x	x	x	x	10A120V V88200	
S57	x	x	10A120V V88200	x	x	x	x	10A120V V88200	
S58	x	x	10A120V V88200	x	x	x	x	10A120V V88200	
S59	x	x	10A120V V88200	x	x	x	x	10A120V V88200	
S60	x	x	10A120V V88200	x	x	x	x	10A120V V88200	
S61	x	x	10A120V V88200	x	x	x	x	10A120V V88200	
S62	x	x	10A120V V88200	x	x	x	x	10A120V V88200	
S63	x	x	10A120V V88200	x	x	x	x	10A120V V88200	
S64	x	x	10A120V V88200	x	x	x	x	10A120V V88200	
S65	x	x	10A120V V88200	x	x	x	x	10A120V V88200	
S66	x	x	10A120V V88200	x	x	x	x	10A120V V88200	
S67	x	x	10A120V V88200	x	x	x	x	10A120V V88200	
S68	x	x	10A120V V88200	x	x	x	x	10A120V V88200	
S69	x	x	10A120V V88200	x	x	x	x	10A120V V88200	
S70	x	x	10A120V V88200	x	x	x	x	10A120V V88200	
S71	x	x	10A120V V88200	x	x	x	x	10A120V V88200	
S72	x	x	10A120V V88200	x	x	x	x	10A120V V88200	
S73	x	x	10A120V V88200	x	x	x	x	10A120V V88200	
S74	x	x	10A120V V88200	x	x	x	x	10A120V V88200	
S75	x	x	10A120V V88200	x	x	x	x	10A120V V88200	
S76	x	x	10A120V V88200	x	x	x	x	10A120V V88200	
S77	x	x	10A120V V88200	x	x	x	x	10A120V V88200	
S78	x	x	10A120V V88200	x	x	x	x	10A120V V88200	
S79	x	x	10A120V V88200	x	x	x	x	10A120V V88200	
S80	x	x	10A120V V88200	x	x	x	x	10A120V V88200	
S81	x	x	10A120V V88200	x	x	x	x	10A120V V88200	
S82	x	x	10A120V V88200	x	x	x	x	10A120V V88200	
S83	x	x	10A120V V88200	x	x	x	x	10A120V V88200	
S84	x	x	10A120V V88200	x	x	x	x	10A120V V88200	
S85	x	x	10A120V V88200	x	x	x	x	10A120V V88200	
S86	x	x	10A120V V88200	x	x	x	x	10A120V V88200	
S87	x	x	10A120V V88200	x	x	x	x	10A120V V88200	
S88	x	x	10A120V V88200	x	x	x	x	10A120V V88200	
S89	x	x	10A120V V88200	x	x	x	x	10A120V V88200	
S90	x	x	10A120V V88200	x	x	x	x	10A120V V88200	
S91	x	x	10A120V V88200	x	x	x	x	10A120V V88200	
S92	x	x	10A120V V88200	x	x	x	x	10A120V V88200	
S93	x	x	10A120V V88200	x	x	x	x	10A120V V88200	
S94	x	x	10A120V V88200	x	x	x	x	10A120V V88200	
S95	x	x	10A120V V88200	x	x	x	x	10A120V V88200	
S96	x	x	10A120V V88200	x	x	x	x	10A120V V88200	
S97	x	x	10A120V V88200	x	x	x	x	10A120V V88200	
S98	x	x	10A120V V88200	x	x	x	x	10A120V V88200	
S99	x	x	10A120V V88200	x	x	x	x	10A120V V88200	
S100	x	x	10A120V V88200	x	x	x	x	10A120V V88200	

● All voltages are measured with a 10MΩV DC electronic volt meter.  
 ● Components having special characteristics are marked !, and must be replaced with parts having specifications equal to those originally installed.  
 ● Schematic diagram is subject to change without notice.  
 ● 電圧は、内部抵抗10MΩの電圧計で測定したものです。  
 ● !印のある部品は、安全性確保部品を示しています。部品の交換が必要な場合、パーツリストに記載されている部品を使用してください。  
 ● 本回路図は標準回路図です。改良のため予告なく変更することがございます。

SCHEMATIC DIAGRAM (VIDEO) RX-V2400/RX-V2400RDS/DSP-AX-2400



RESISTOR

REMARKS	PARTS NAME
NO MARK	CARBON FILM RESISTOR (P-5)
1	CARBON FILM RESISTOR (P-10)
2	METAL FILM RESISTOR
3	METAL FILM RESISTOR
4	METAL FILM RESISTOR
5	METAL FILM RESISTOR
6	METAL FILM RESISTOR
7	METAL FILM RESISTOR
8	METAL FILM RESISTOR
9	METAL FILM RESISTOR
10	METAL FILM RESISTOR
11	METAL FILM RESISTOR
12	METAL FILM RESISTOR
13	METAL FILM RESISTOR
14	METAL FILM RESISTOR
15	METAL FILM RESISTOR
16	METAL FILM RESISTOR
17	METAL FILM RESISTOR
18	METAL FILM RESISTOR
19	METAL FILM RESISTOR
20	METAL FILM RESISTOR
21	METAL FILM RESISTOR
22	METAL FILM RESISTOR
23	METAL FILM RESISTOR
24	METAL FILM RESISTOR
25	METAL FILM RESISTOR
26	METAL FILM RESISTOR
27	METAL FILM RESISTOR
28	METAL FILM RESISTOR
29	METAL FILM RESISTOR
30	METAL FILM RESISTOR
31	METAL FILM RESISTOR
32	METAL FILM RESISTOR
33	METAL FILM RESISTOR
34	METAL FILM RESISTOR
35	METAL FILM RESISTOR
36	METAL FILM RESISTOR
37	METAL FILM RESISTOR
38	METAL FILM RESISTOR
39	METAL FILM RESISTOR
40	METAL FILM RESISTOR
41	METAL FILM RESISTOR
42	METAL FILM RESISTOR
43	METAL FILM RESISTOR
44	METAL FILM RESISTOR
45	METAL FILM RESISTOR
46	METAL FILM RESISTOR
47	METAL FILM RESISTOR
48	METAL FILM RESISTOR
49	METAL FILM RESISTOR
50	METAL FILM RESISTOR
51	METAL FILM RESISTOR
52	METAL FILM RESISTOR
53	METAL FILM RESISTOR
54	METAL FILM RESISTOR
55	METAL FILM RESISTOR
56	METAL FILM RESISTOR
57	METAL FILM RESISTOR
58	METAL FILM RESISTOR
59	METAL FILM RESISTOR
60	METAL FILM RESISTOR
61	METAL FILM RESISTOR
62	METAL FILM RESISTOR
63	METAL FILM RESISTOR
64	METAL FILM RESISTOR
65	METAL FILM RESISTOR
66	METAL FILM RESISTOR
67	METAL FILM RESISTOR
68	METAL FILM RESISTOR
69	METAL FILM RESISTOR
70	METAL FILM RESISTOR
71	METAL FILM RESISTOR
72	METAL FILM RESISTOR
73	METAL FILM RESISTOR
74	METAL FILM RESISTOR
75	METAL FILM RESISTOR
76	METAL FILM RESISTOR
77	METAL FILM RESISTOR
78	METAL FILM RESISTOR
79	METAL FILM RESISTOR
80	METAL FILM RESISTOR
81	METAL FILM RESISTOR
82	METAL FILM RESISTOR
83	METAL FILM RESISTOR
84	METAL FILM RESISTOR
85	METAL FILM RESISTOR
86	METAL FILM RESISTOR
87	METAL FILM RESISTOR
88	METAL FILM RESISTOR
89	METAL FILM RESISTOR
90	METAL FILM RESISTOR
91	METAL FILM RESISTOR
92	METAL FILM RESISTOR
93	METAL FILM RESISTOR
94	METAL FILM RESISTOR
95	METAL FILM RESISTOR
96	METAL FILM RESISTOR
97	METAL FILM RESISTOR
98	METAL FILM RESISTOR
99	METAL FILM RESISTOR
100	METAL FILM RESISTOR

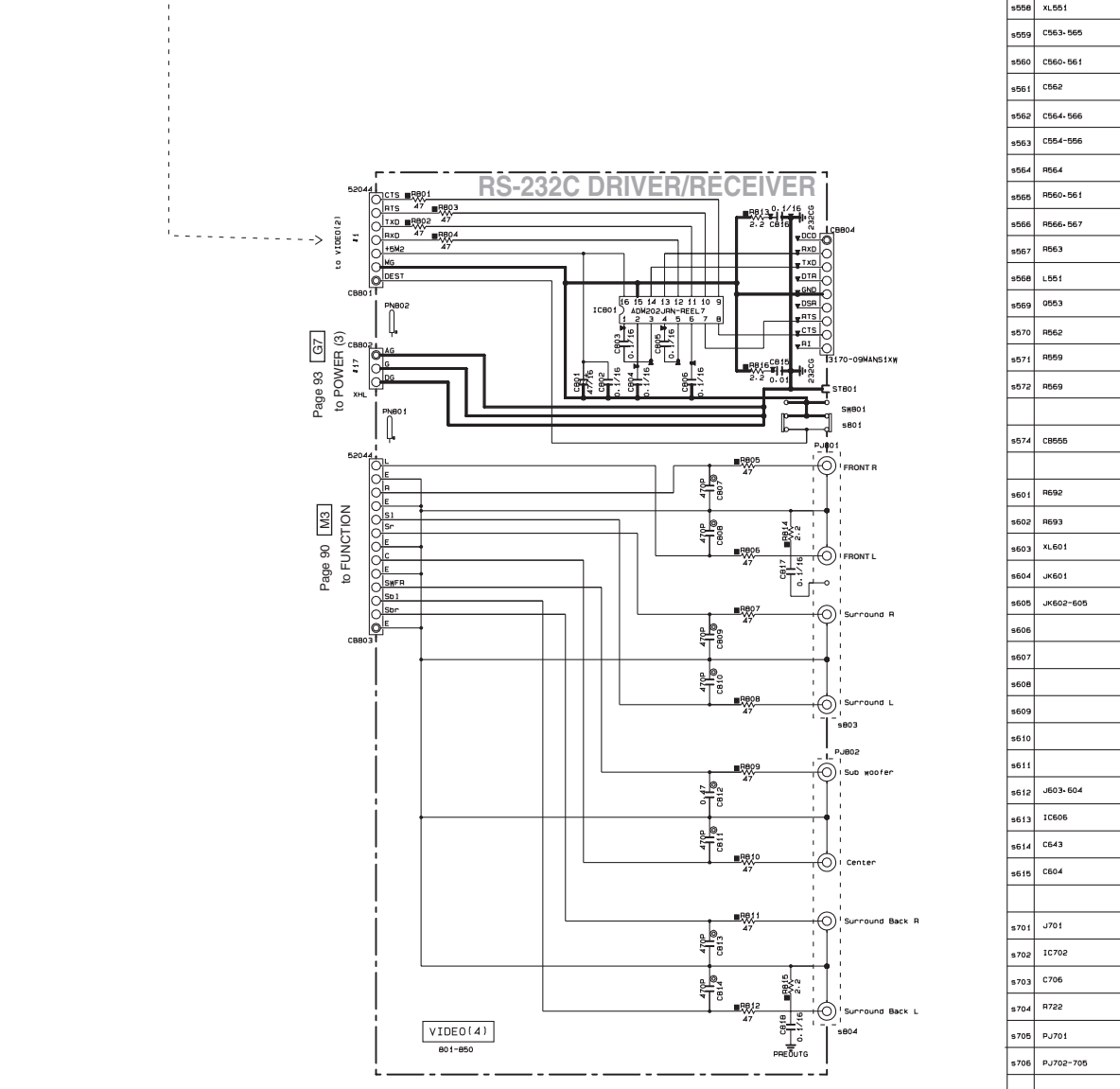
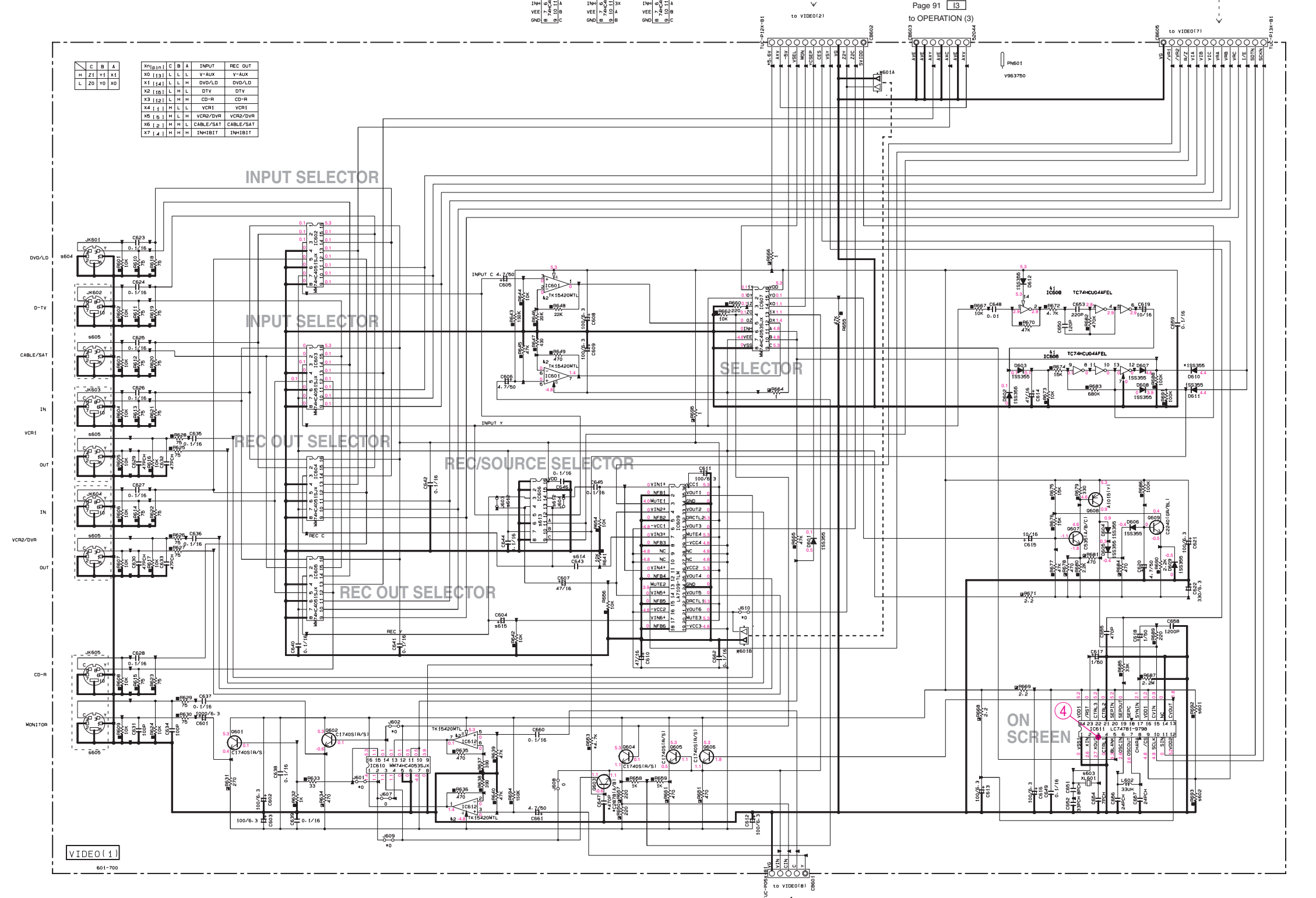
NOTICE

RESISTOR

REMARKS	PARTS NAME
1	RESISTOR
2	RESISTOR
3	RESISTOR
4	RESISTOR
5	RESISTOR
6	RESISTOR
7	RESISTOR
8	RESISTOR
9	RESISTOR
10	RESISTOR
11	RESISTOR
12	RESISTOR
13	RESISTOR
14	RESISTOR
15	RESISTOR
16	RESISTOR
17	RESISTOR
18	RESISTOR
19	RESISTOR
20	RESISTOR
21	RESISTOR
22	RESISTOR
23	RESISTOR
24	RESISTOR
25	RESISTOR
26	RESISTOR
27	RESISTOR
28	RESISTOR
29	RESISTOR
30	RESISTOR
31	RESISTOR
32	RESISTOR
33	RESISTOR
34	RESISTOR
35	RESISTOR
36	RESISTOR
37	RESISTOR
38	RESISTOR
39	RESISTOR
40	RESISTOR
41	RESISTOR
42	RESISTOR
43	RESISTOR
44	RESISTOR
45	RESISTOR
46	RESISTOR
47	RESISTOR
48	RESISTOR
49	RESISTOR
50	RESISTOR
51	RESISTOR
52	RESISTOR
53	RESISTOR
54	RESISTOR
55	RESISTOR
56	RESISTOR
57	RESISTOR
58	RESISTOR
59	RESISTOR
60	RESISTOR
61	RESISTOR
62	RESISTOR
63	RESISTOR
64	RESISTOR
65	RESISTOR
66	RESISTOR
67	RESISTOR
68	RESISTOR
69	RESISTOR
70	RESISTOR
71	RESISTOR
72	RESISTOR
73	RESISTOR
74	RESISTOR
75	RESISTOR
76	RESISTOR
77	RESISTOR
78	RESISTOR
79	RESISTOR
80	RESISTOR
81	RESISTOR
82	RESISTOR
83	RESISTOR
84	RESISTOR
85	RESISTOR
86	RESISTOR
87	RESISTOR
88	RESISTOR
89	RESISTOR
90	RESISTOR
91	RESISTOR
92	RESISTOR
93	RESISTOR
94	RESISTOR
95	RESISTOR
96	RESISTOR
97	RESISTOR
98	RESISTOR
99	RESISTOR
100	RESISTOR

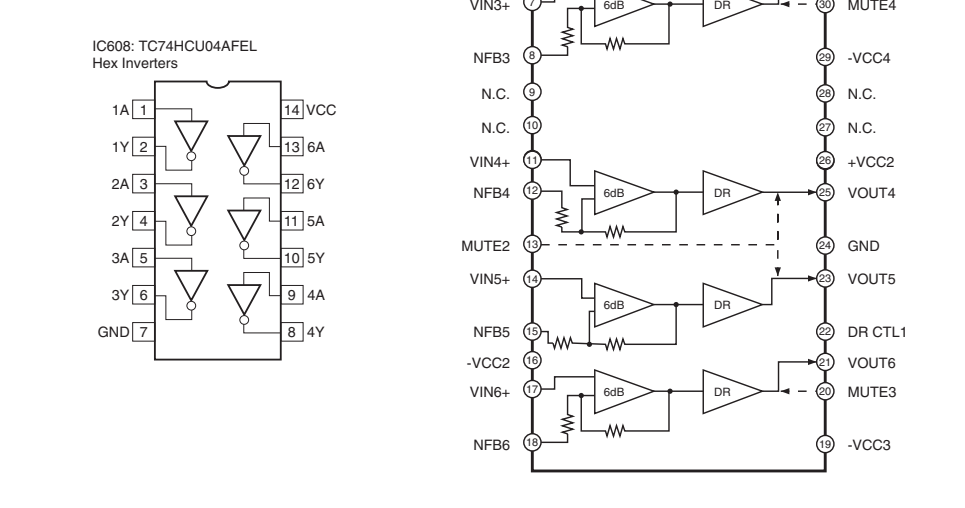
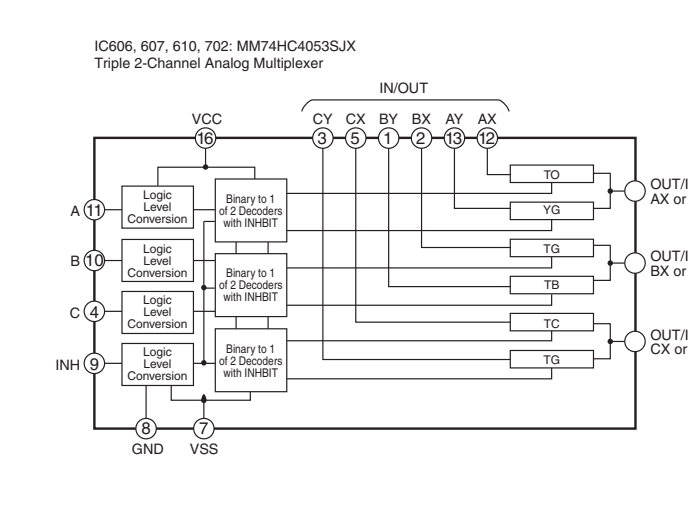
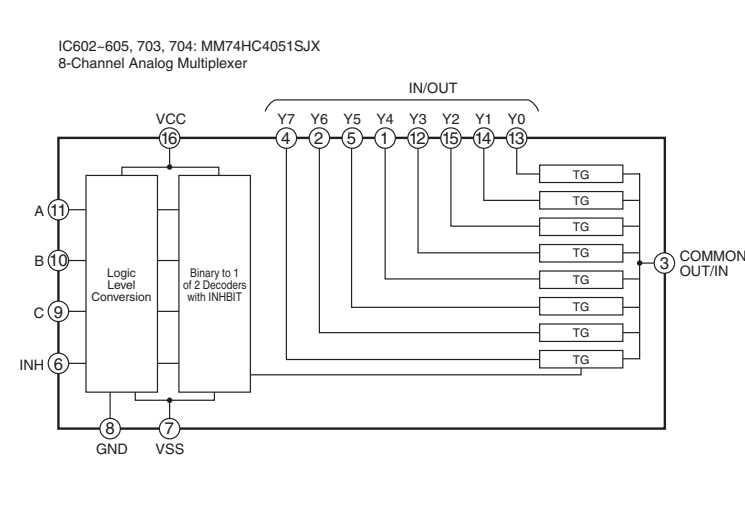
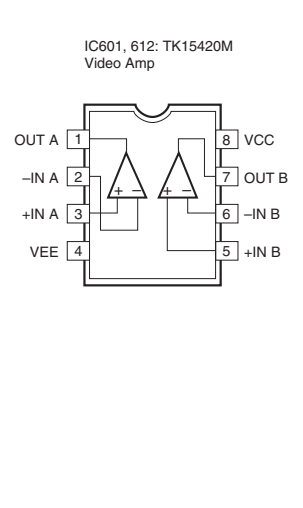
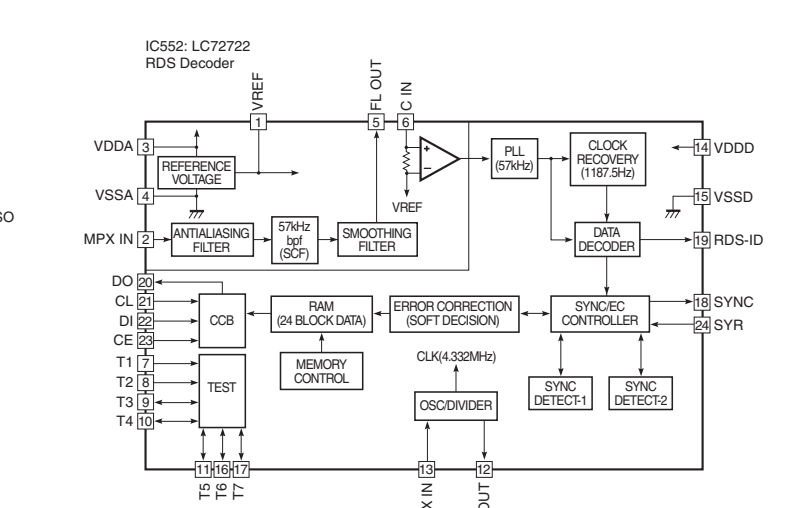
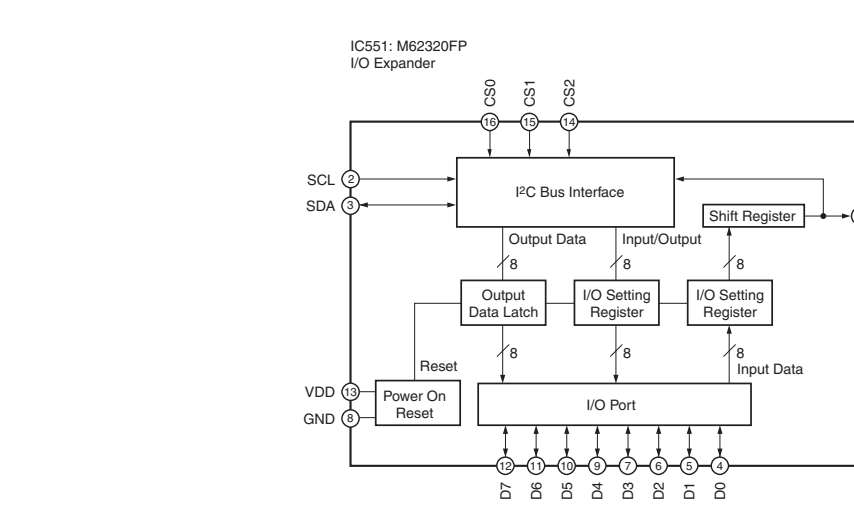
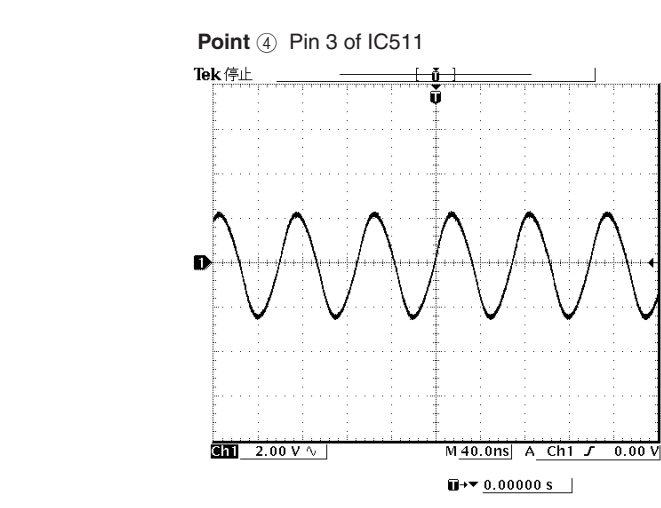
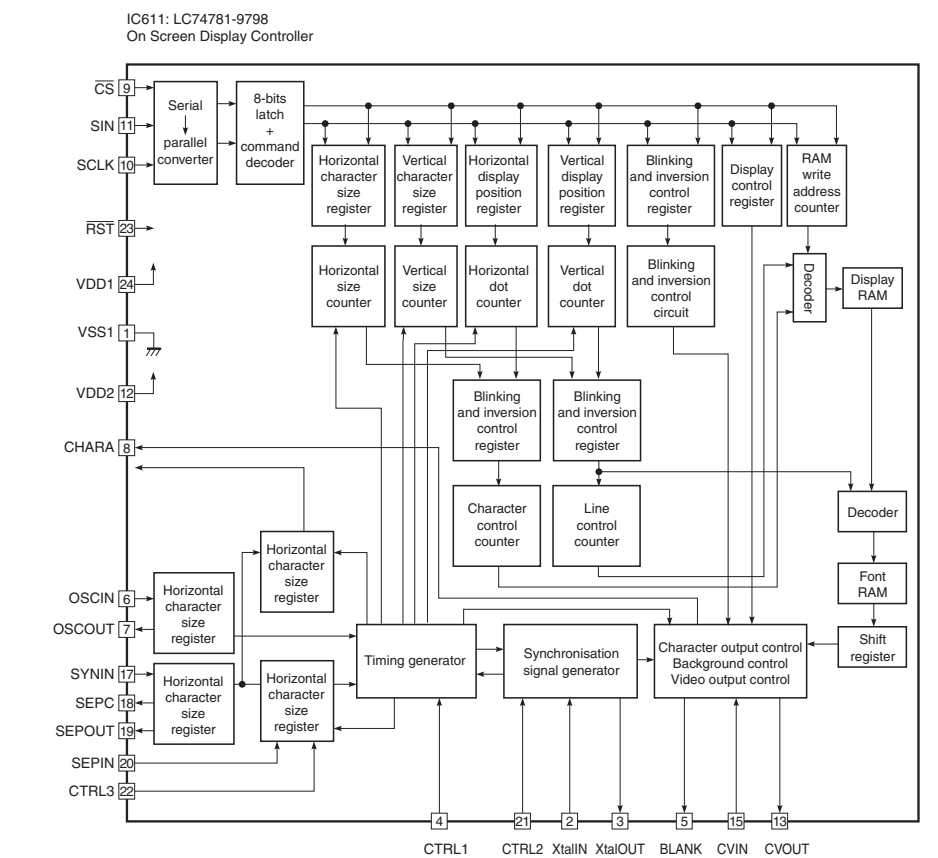
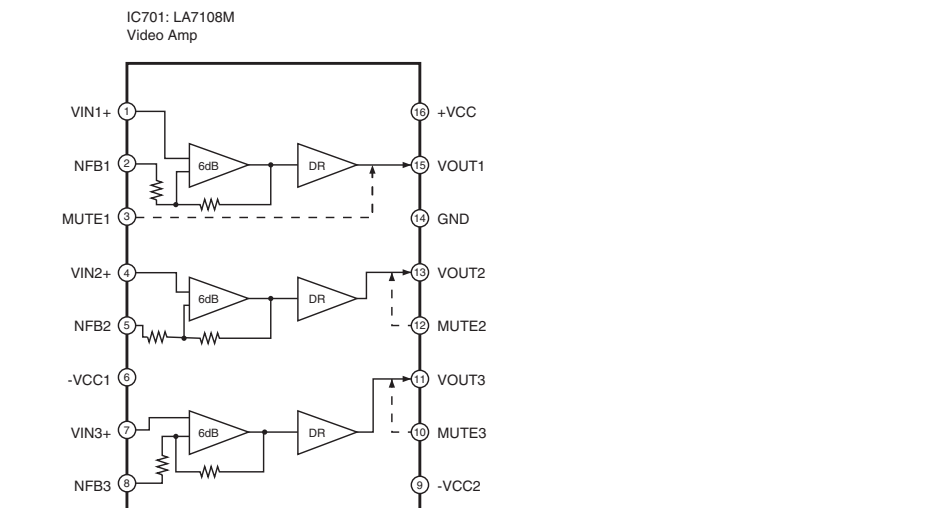
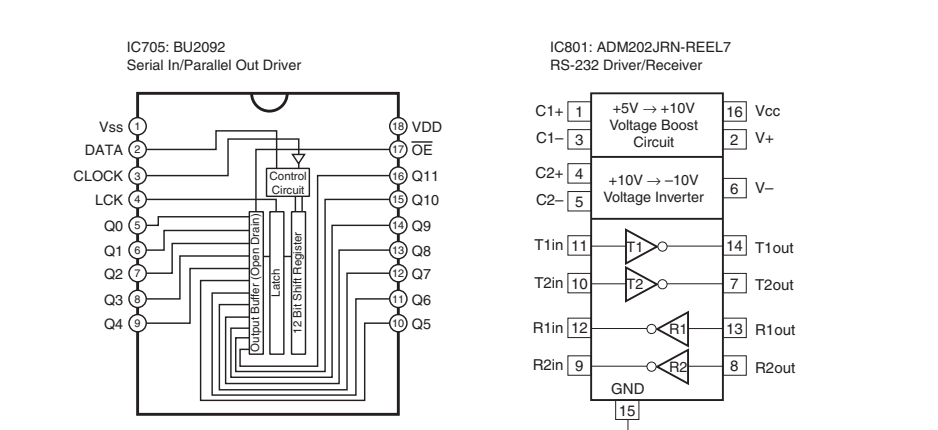
All voltages are measured with a 10MΩ/V DC electronic volt meter.  
 Components having special characteristics are marked with a triangle and must be replaced with parts having specifications equal to those originally installed.  
 Schematic diagram is subject to change without notice.

●電圧は、内部抵抗10MΩの電圧計で測定したものです。  
 ●△印のある部品は、安全性確保部品を示しています。部品の交換が必要な場合、パーツリストに記載されている部品を使用してください。  
 ●本回路図は標準回路図です。改良のため予告なく変更することがございます。



RESISTOR

REMARKS	PARTS NAME
NO MARK	CARBON FILM RESISTOR (P-5)
1	CARBON FILM RESISTOR (P-10)
2	METAL FILM RESISTOR
3	METAL FILM RESISTOR
4	METAL FILM RESISTOR
5	METAL FILM RESISTOR
6	METAL FILM RESISTOR
7	METAL FILM RESISTOR
8	METAL FILM RESISTOR
9	METAL FILM RESISTOR
10	METAL FILM RESISTOR
11	METAL FILM RESISTOR
12	METAL FILM RESISTOR
13	METAL FILM RESISTOR
14	METAL FILM RESISTOR
15	METAL FILM RESISTOR
16	METAL FILM RESISTOR
17	METAL FILM RESISTOR
18	METAL FILM RESISTOR
19	METAL FILM RESISTOR
20	METAL FILM RESISTOR
21	METAL FILM RESISTOR
22	METAL FILM RESISTOR
23	METAL FILM RESISTOR
24	METAL FILM RESISTOR
25	METAL FILM RESISTOR
26	METAL FILM RESISTOR
27	METAL FILM RESISTOR
28	METAL FILM RESISTOR
29	METAL FILM RESISTOR
30	METAL FILM RESISTOR
31	METAL FILM RESISTOR
32	METAL FILM RESISTOR
33	METAL FILM RESISTOR
34	METAL FILM RESISTOR
35	METAL FILM RESISTOR
36	METAL FILM RESISTOR
37	METAL FILM RESISTOR
38	METAL FILM RESISTOR
39	METAL FILM RESISTOR
40	METAL FILM RESISTOR
41	METAL FILM RESISTOR
42	METAL FILM RESISTOR
43	METAL FILM RESISTOR
44	METAL FILM RESISTOR
45	METAL FILM RESISTOR
46	METAL FILM RESISTOR
47	METAL FILM RESISTOR
48	METAL FILM RESISTOR
49	METAL FILM RESISTOR
50	METAL FILM RESISTOR
51	METAL FILM RESISTOR
52	METAL FILM RESISTOR
53	METAL FILM RESISTOR
54	METAL FILM RESISTOR
55	METAL FILM RESISTOR
56	METAL FILM RESISTOR
57	METAL FILM RESISTOR
58	METAL FILM RESISTOR
59	METAL FILM RESISTOR
60	METAL FILM RESISTOR
61	METAL FILM RESISTOR
62	METAL FILM RESISTOR
63	METAL FILM RESISTOR
64	METAL FILM RESISTOR
65	METAL FILM RESISTOR
66	METAL FILM RESISTOR
67	METAL FILM RESISTOR
68	METAL FILM RESISTOR
69	METAL FILM RESISTOR
70	METAL FILM RESISTOR
71	METAL FILM RESISTOR
72	METAL FILM RESISTOR
73	METAL FILM RESISTOR
74	METAL FILM RESISTOR
75	METAL FILM RESISTOR
76	METAL FILM RESISTOR
77	METAL FILM RESISTOR
78	METAL FILM RESISTOR
79	METAL FILM RESISTOR
80	METAL FILM RESISTOR
81	METAL FILM RESISTOR
82	METAL FILM RESISTOR
83	METAL FILM RESISTOR
84	METAL FILM RESISTOR
85	METAL FILM RESISTOR
86	METAL FILM RESISTOR
87	METAL FILM RESISTOR
88	METAL FILM RESISTOR
89	METAL FILM RESISTOR
90	METAL FILM RESISTOR
91	METAL FILM RESISTOR
92	METAL FILM RESISTOR
93	METAL FILM RESISTOR
94	METAL FILM RESISTOR
95	METAL FILM RESISTOR
96	METAL FILM RESISTOR
97	METAL FILM RESISTOR
98	METAL FILM RESISTOR
99	METAL FILM RESISTOR
100	METAL FILM RESISTOR



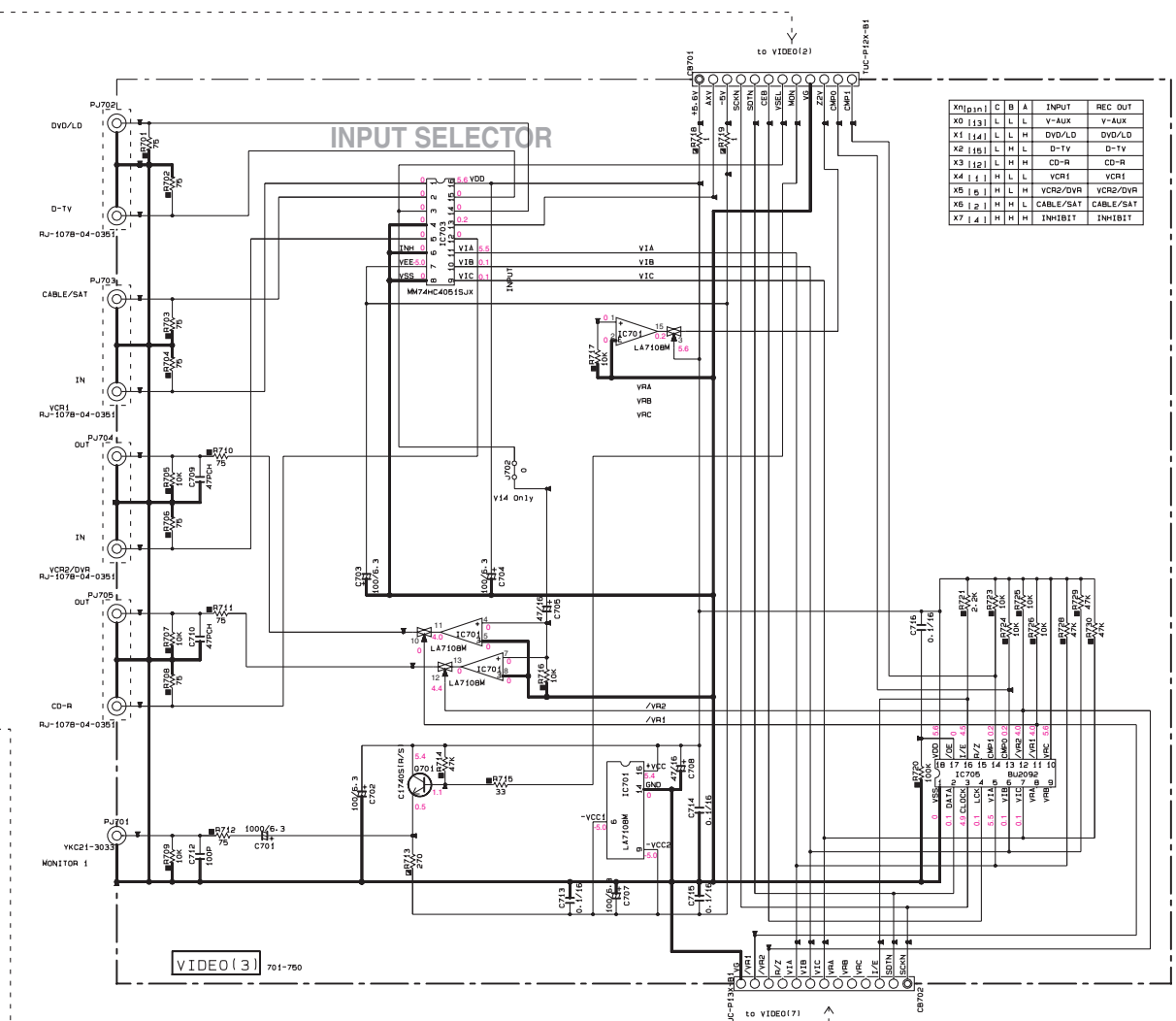
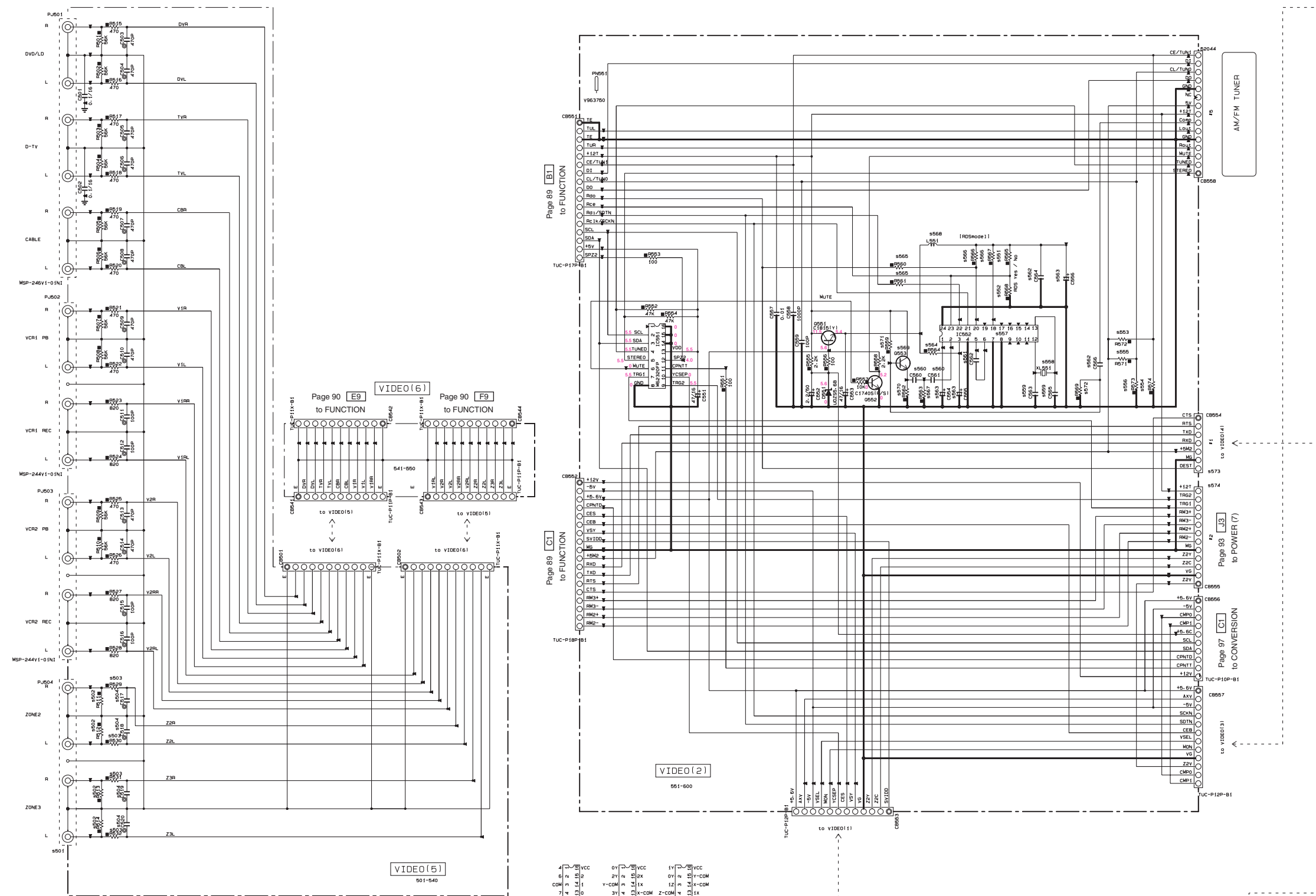


SCHEMATIC DIAGRAM (VIDEO) RX-V1400/RX-V1400RDS/HTR-5690/DSP-AX1400

RX-V2400/RX-V2400RDS/DSP-AX2400/RX-V1400/RX-V1400RDS/HTR-5690/DSP-AX1400

- All voltages are measured with a 10MΩ/V DC electronic volt meter.
- Components having special characteristics are marked **!** and must be replaced with parts having specifications equal to those originally installed.
- Schematic diagram is subject to change without notice.

- 電圧は、内部抵抗10MΩの電圧計で測定したものです。
- 1印のある部品は、安全性確保部品を示しています。部品の交換が必要な場合、パーツリストに記載されている部品を使用してください。
- 本回路図は標準回路図です。改良のため予告なく変更することがございます。

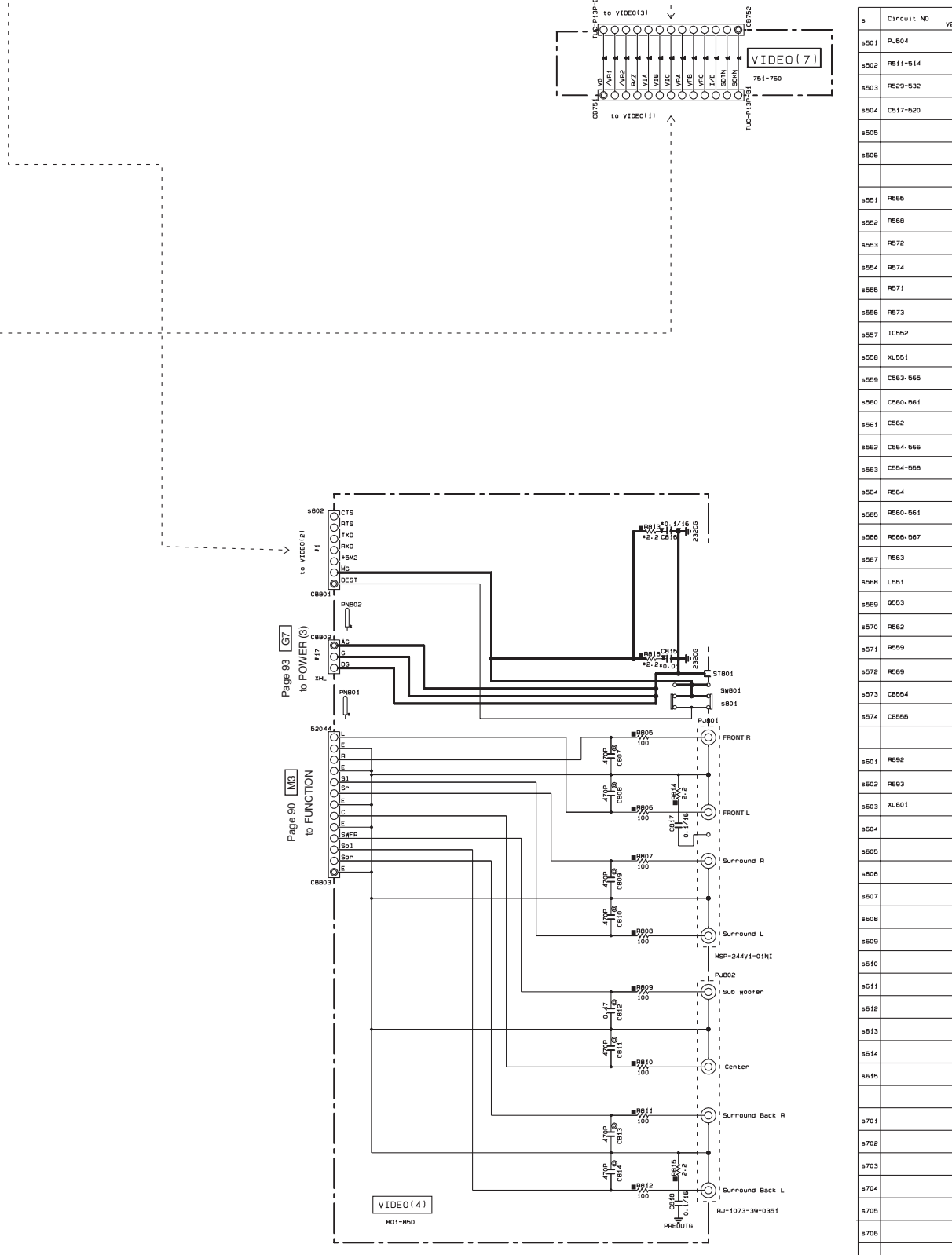
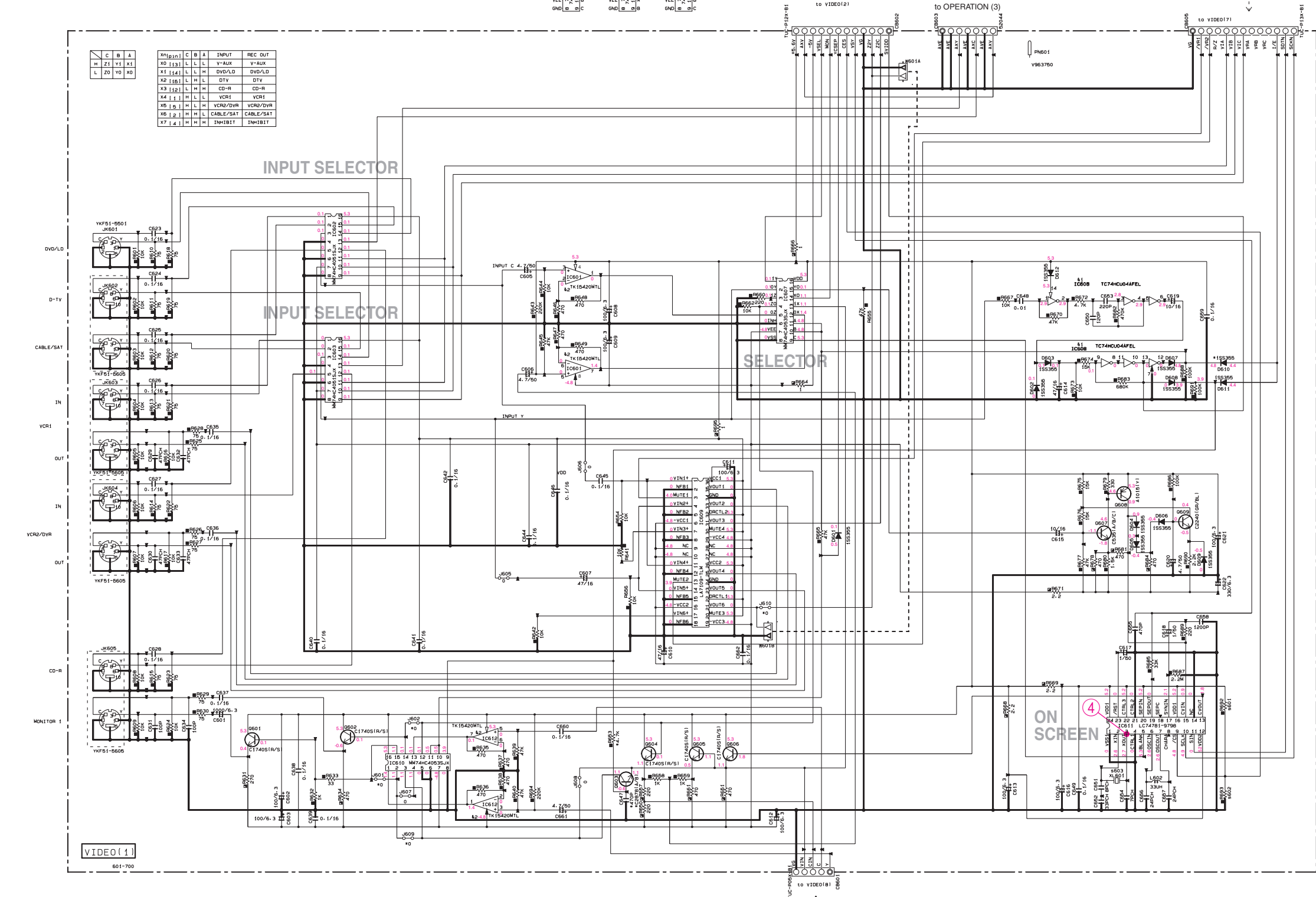
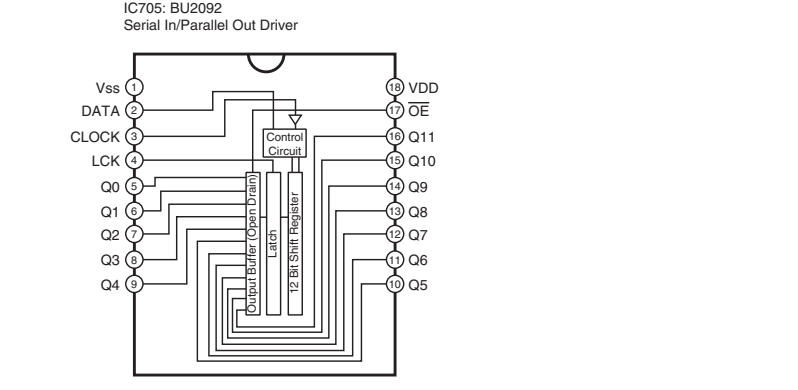


RESISTOR

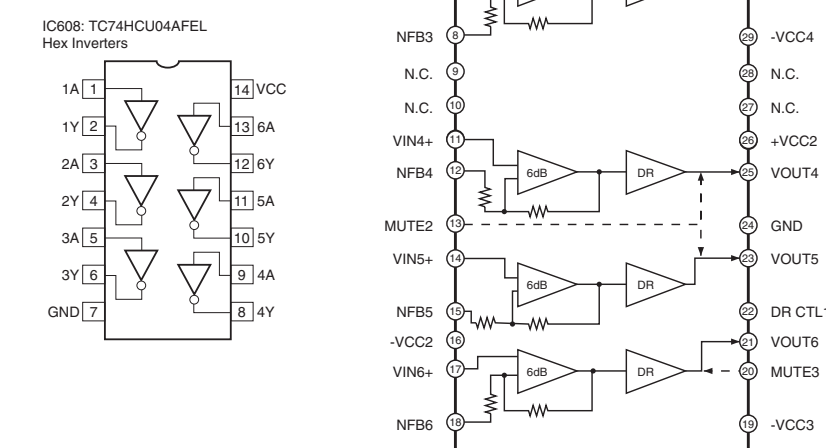
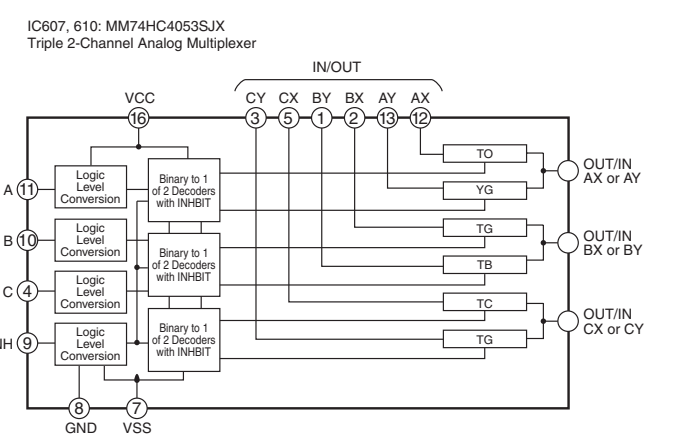
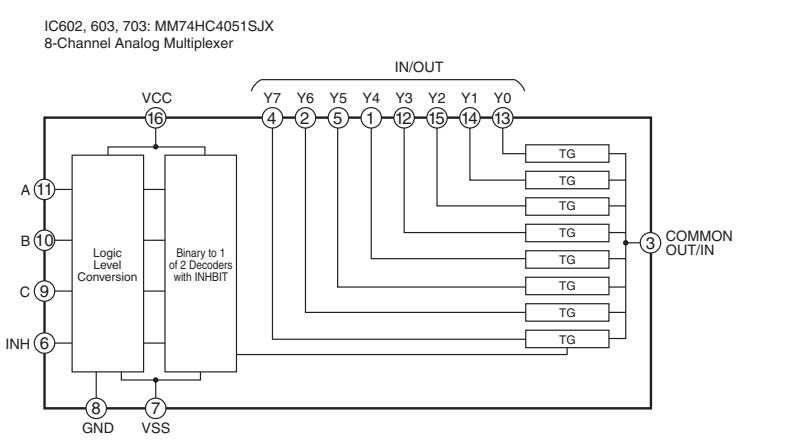
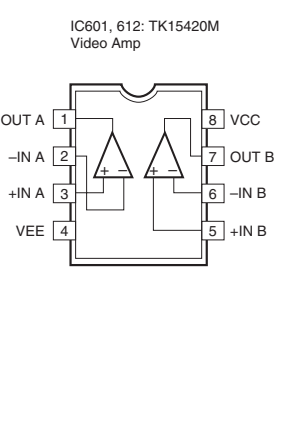
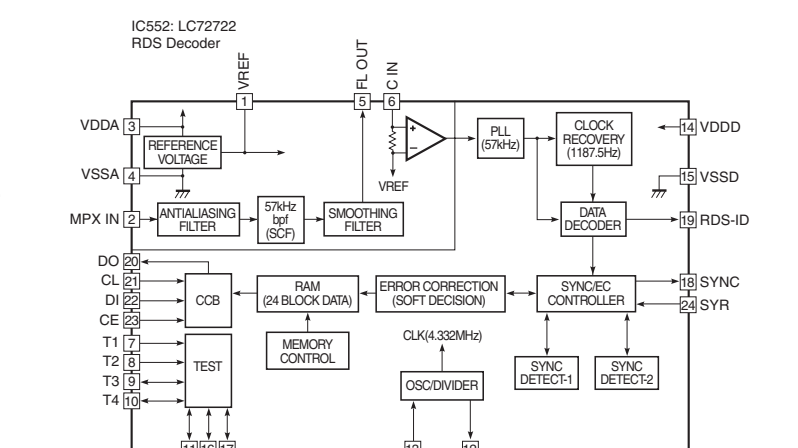
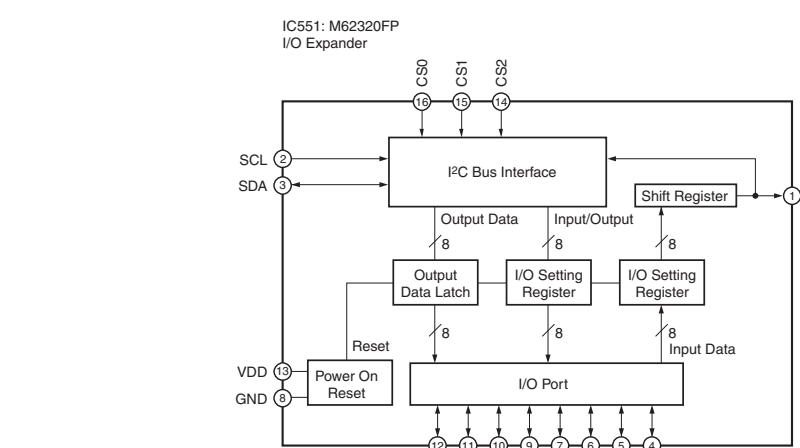
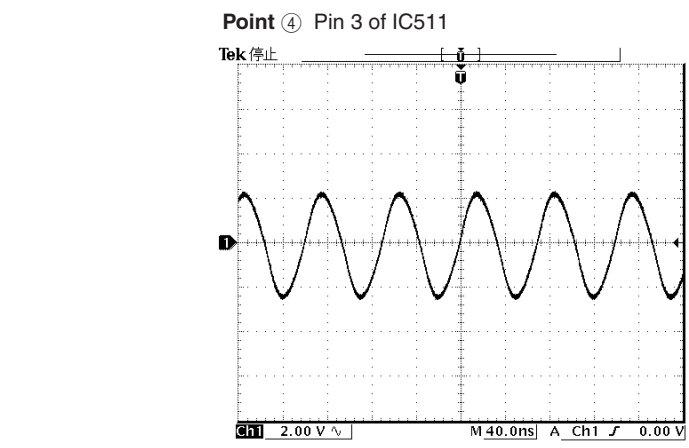
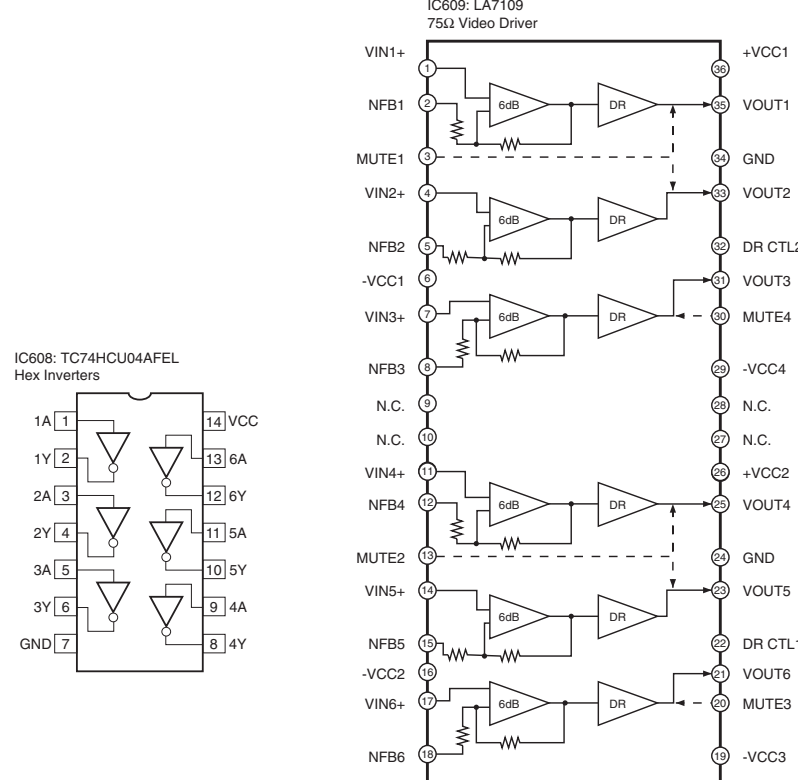
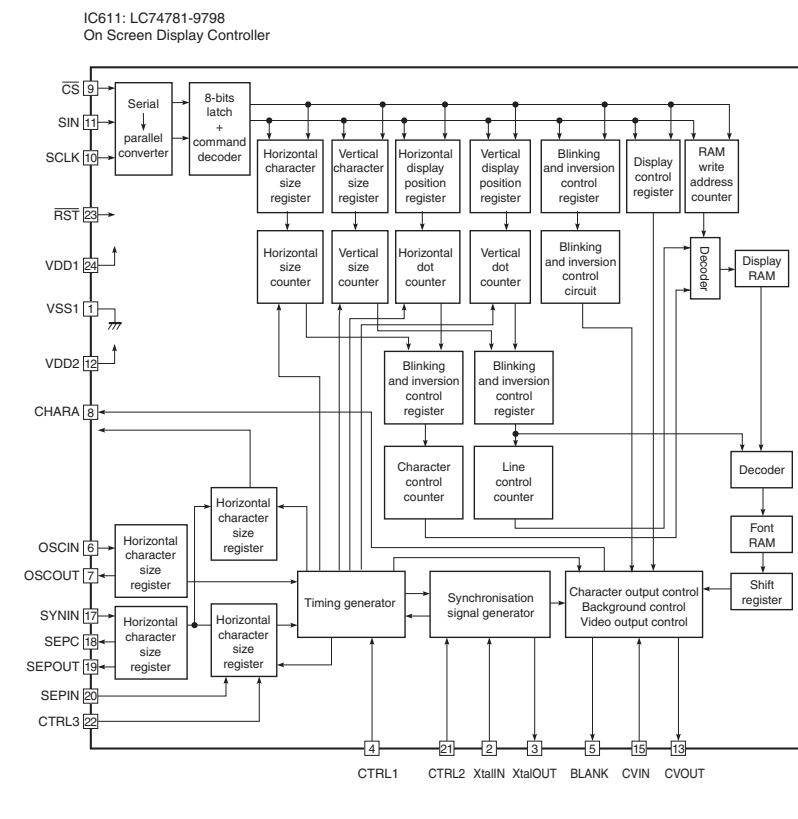
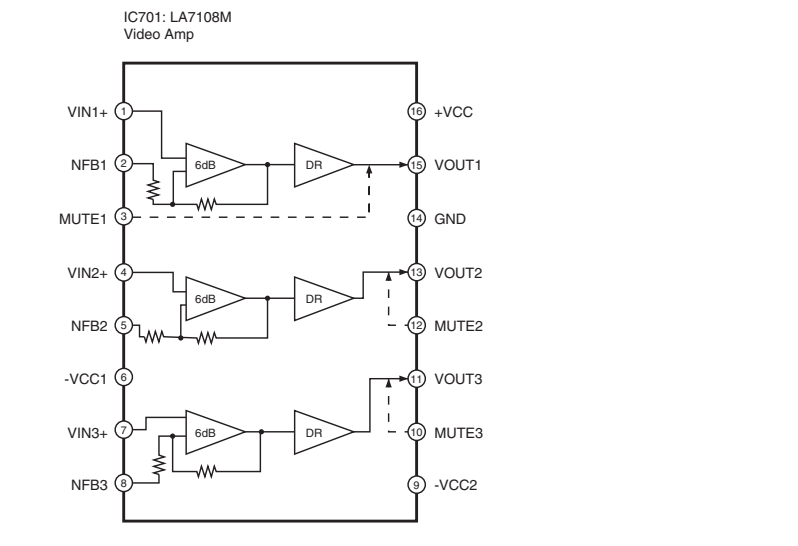
RESISTOR	PARTS NAME
NO MARK	CARBON FILM RESISTOR (P-91)
NO MARK	CARBON FILM RESISTOR (P-92)
A	METAL GLAZE FILM RESISTOR
Q	METAL FILM RESISTOR
Q	METAL PLATE RESISTOR
Q	FINE WIRE CARBON FILM RESISTOR
Q	PRECISION CARBON FILM RESISTOR
Q	CEMENT MOUNTED RESISTOR
Q	CHIP RESISTOR

NOTICE (model)

IC705: BL0292 Serial In/Parallel Out Driver



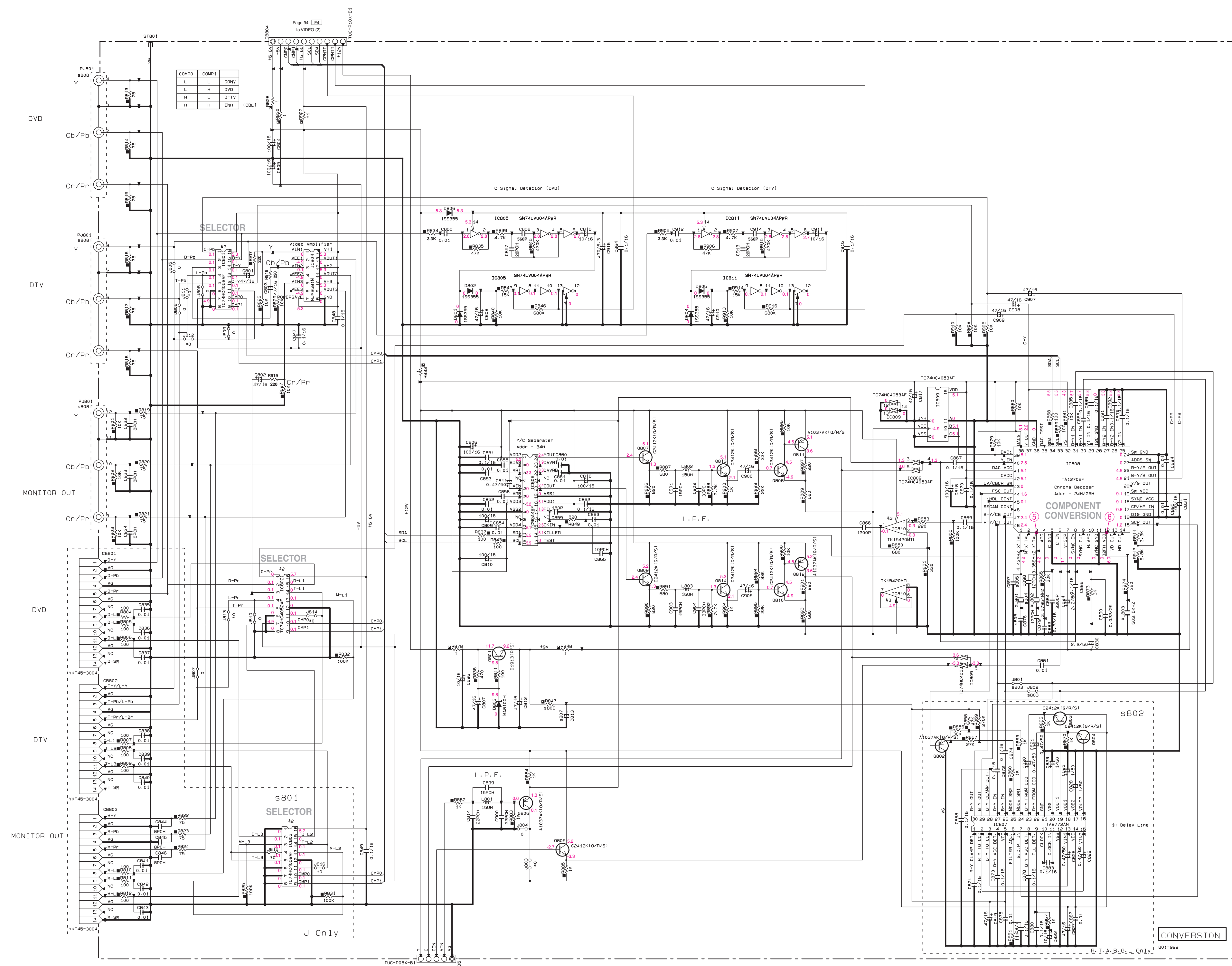
IC	MANUFACTURER	DESCRIPTION	MARKING	REMARKS
IC101	DAIICHI	MP-2441-101	MP-2441-101	
IC102	DAIICHI	MP-2441-102	MP-2441-102	
IC103	DAIICHI	MP-2441-103	MP-2441-103	
IC104	DAIICHI	MP-2441-104	MP-2441-104	
IC105	DAIICHI	MP-2441-105	MP-2441-105	
IC106	DAIICHI	MP-2441-106	MP-2441-106	
IC107	DAIICHI	MP-2441-107	MP-2441-107	
IC108	DAIICHI	MP-2441-108	MP-2441-108	
IC109	DAIICHI	MP-2441-109	MP-2441-109	
IC110	DAIICHI	MP-2441-110	MP-2441-110	
IC111	DAIICHI	MP-2441-111	MP-2441-111	
IC112	DAIICHI	MP-2441-112	MP-2441-112	
IC113	DAIICHI	MP-2441-113	MP-2441-113	
IC114	DAIICHI	MP-2441-114	MP-2441-114	
IC115	DAIICHI	MP-2441-115	MP-2441-115	
IC116	DAIICHI	MP-2441-116	MP-2441-116	
IC117	DAIICHI	MP-2441-117	MP-2441-117	
IC118	DAIICHI	MP-2441-118	MP-2441-118	
IC119	DAIICHI	MP-2441-119	MP-2441-119	
IC120	DAIICHI	MP-2441-120	MP-2441-120	
IC121	DAIICHI	MP-2441-121	MP-2441-121	
IC122	DAIICHI	MP-2441-122	MP-2441-122	
IC123	DAIICHI	MP-2441-123	MP-2441-123	
IC124	DAIICHI	MP-2441-124	MP-2441-124	
IC125	DAIICHI	MP-2441-125	MP-2441-125	
IC126	DAIICHI	MP-2441-126	MP-2441-126	
IC127	DAIICHI	MP-2441-127	MP-2441-127	
IC128	DAIICHI	MP-2441-128	MP-2441-128	
IC129	DAIICHI	MP-2441-129	MP-2441-129	
IC130	DAIICHI	MP-2441-130	MP-2441-130	
IC131	DAIICHI	MP-2441-131	MP-2441-131	
IC132	DAIICHI	MP-2441-132	MP-2441-132	
IC133	DAIICHI	MP-2441-133	MP-2441-133	
IC134	DAIICHI	MP-2441-134	MP-2441-134	
IC135	DAIICHI	MP-2441-135	MP-2441-135	
IC136	DAIICHI	MP-2441-136	MP-2441-136	
IC137	DAIICHI	MP-2441-137	MP-2441-137	
IC138	DAIICHI	MP-2441-138	MP-2441-138	
IC139	DAIICHI	MP-2441-139	MP-2441-139	
IC140	DAIICHI	MP-2441-140	MP-2441-140	
IC141	DAIICHI	MP-2441-141	MP-2441-141	
IC142	DAIICHI	MP-2441-142	MP-2441-142	
IC143	DAIICHI	MP-2441-143	MP-2441-143	
IC144	DAIICHI	MP-2441-144	MP-2441-144	
IC145	DAIICHI	MP-2441-145	MP-2441-145	
IC146	DAIICHI	MP-2441-146	MP-2441-146	
IC147	DAIICHI	MP-2441-147	MP-2441-147	
IC148	DAIICHI	MP-2441-148	MP-2441-148	
IC149	DAIICHI	MP-2441-149	MP-2441-149	
IC150	DAIICHI	MP-2441-150	MP-2441-150	
IC151	DAIICHI	MP-2441-151	MP-2441-151	
IC152	DAIICHI	MP-2441-152	MP-2441-152	
IC153	DAIICHI	MP-2441-153	MP-2441-153	
IC154	DAIICHI	MP-2441-154	MP-2441-154	
IC155	DAIICHI	MP-2441-155	MP-2441-155	
IC156	DAIICHI	MP-2441-156	MP-2441-156	
IC157	DAIICHI	MP-2441-157	MP-2441-157	
IC158	DAIICHI	MP-2441-158	MP-2441-158	
IC159	DAIICHI	MP-2441-159	MP-2441-159	
IC160	DAIICHI	MP-2441-160	MP-2441-160	
IC161	DAIICHI	MP-2441-161	MP-2441-161	
IC162	DAIICHI	MP-2441-162	MP-2441-162	
IC163	DAIICHI	MP-2441-163	MP-2441-163	
IC164	DAIICHI	MP-2441-164	MP-2441-164	
IC165	DAIICHI	MP-2441-165	MP-2441-165	
IC166	DAIICHI	MP-2441-166	MP-2441-166	
IC167	DAIICHI	MP-2441-167	MP-2441-167	
IC168	DAIICHI	MP-2441-168	MP-2441-168	
IC169	DAIICHI	MP-2441-169	MP-2441-169	
IC170	DAIICHI	MP-2441-170	MP-2441-170	
IC171	DAIICHI	MP-2441-171	MP-2441-171	
IC172	DAIICHI	MP-2441-172	MP-2441-172	
IC173	DAIICHI	MP-2441-173	MP-2441-173	
IC174	DAIICHI	MP-2441-174	MP-2441-174	
IC175	DAIICHI	MP-2441-175	MP-2441-175	
IC176	DAIICHI	MP-2441-176	MP-2441-176	
IC177	DAIICHI	MP-2441-177	MP-2441-177	
IC178	DAIICHI	MP-2441-178	MP-2441-178	
IC179	DAIICHI	MP-2441-179	MP-2441-179	
IC180	DAIICHI	MP-2441-180	MP-2441-180	
IC181	DAIICHI	MP-2441-181	MP-2441-181	
IC182	DAIICHI	MP-2441-182	MP-2441-182	
IC183	DAIICHI	MP-2441-183	MP-2441-183	
IC184	DAIICHI	MP-2441-184	MP-2441-184	
IC185	DAIICHI	MP-2441-185	MP-2441-185	
IC186	DAIICHI	MP-2441-186	MP-2441-186	
IC187	DAIICHI	MP-2441-187	MP-2441-187	
IC188	DAIICHI	MP-2441-188	MP-2441-188	
IC189	DAIICHI	MP-2441-189	MP-2441-189	
IC190	DAIICHI	MP-2441-190	MP-2441-190	
IC191	DAIICHI	MP-2441-191	MP-2441-191	
IC192	DAIICHI	MP-2441-192	MP-2441-192	
IC193	DAIICHI	MP-2441-193	MP-2441-193	
IC194	DAIICHI	MP-2441-194	MP-2441-194	
IC195	DAIICHI	MP-2441-195	MP-2441-195	
IC196	DAIICHI	MP-2441-196	MP-2441-196	
IC197	DAIICHI	MP-2441-197	MP-2441-197	
IC198	DAIICHI	MP-2441-198	MP-2441-198	
IC199	DAIICHI	MP-2441-199	MP-2441-199	
IC200	DAIICHI	MP-2441-200	MP-2441-200	



SCHEMATIC DIAGRAM (CONVERSION) RX-V2400/RX-V2400RDS/DSP-AX-2400

● All voltages are measured with a 10M $\Omega$ /V DC electronic volt meter.  
 ● Components having special characteristics are marked with a triangle and must be replaced with parts having specifications equal to those originally installed.  
 ● Schematic diagram is subject to change without notice.

● 電圧は、内部抵抗10M $\Omega$ の電圧計で測定したものです。  
 ● 凡印のある部品は、安全性確保部品を示しています。部品の交換が必要な場合、パーツリストに記載されている部品を使用してください。  
 ● 本回路図は標準回路図です。改良のため予告なく変更することがございます。



RESISTOR

REMARKS	PARTS NAME
NO MARK	ELECTROLYTIC CAPACITOR
⊗	TANTALUM CAPACITOR
NO MARK	CERAMIC CAPACITOR
⊙	CERAMIC TUBULAR CAPACITOR
⊖	POLYESTER FILM CAPACITOR
○	POLYSTYRENE FILM CAPACITOR
⊕	MICA CAPACITOR
⊗	POLYPROPYLENE FILM CAPACITOR
⊙	SEMICONDUCTIVE CERAMIC CAPACITOR

NOTICE (mode1)

REMARKS	PARTS NAME
(J)	JAPAN
(U)	U.S.A
(C)	CANADA
(R)	GENERAL
(T)	CHINA
(K)	KOREA
(A)	AUSTRALIA
(B)	BRITISH
(G)	EUROPE
(L)	SINGAPORE

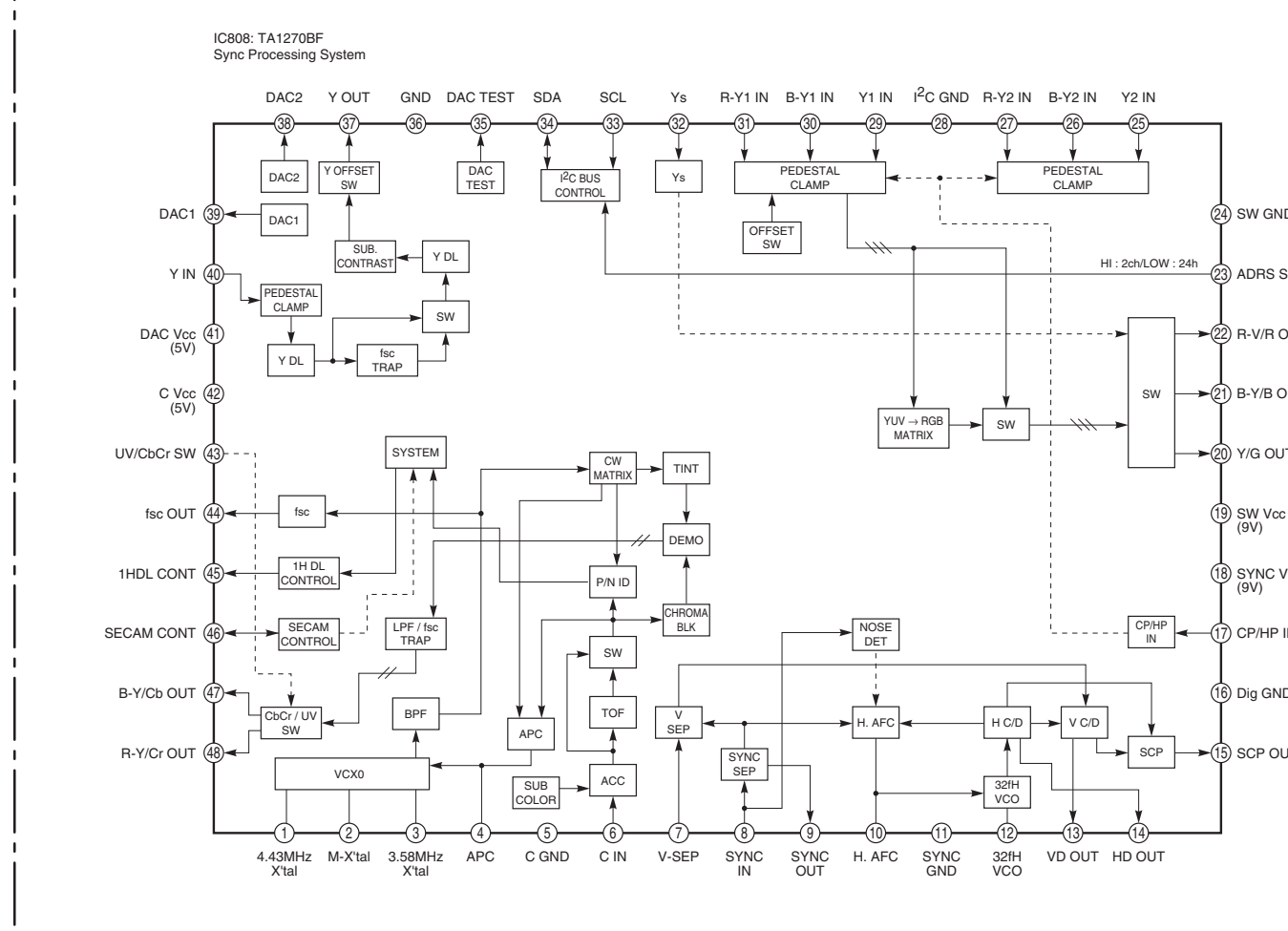
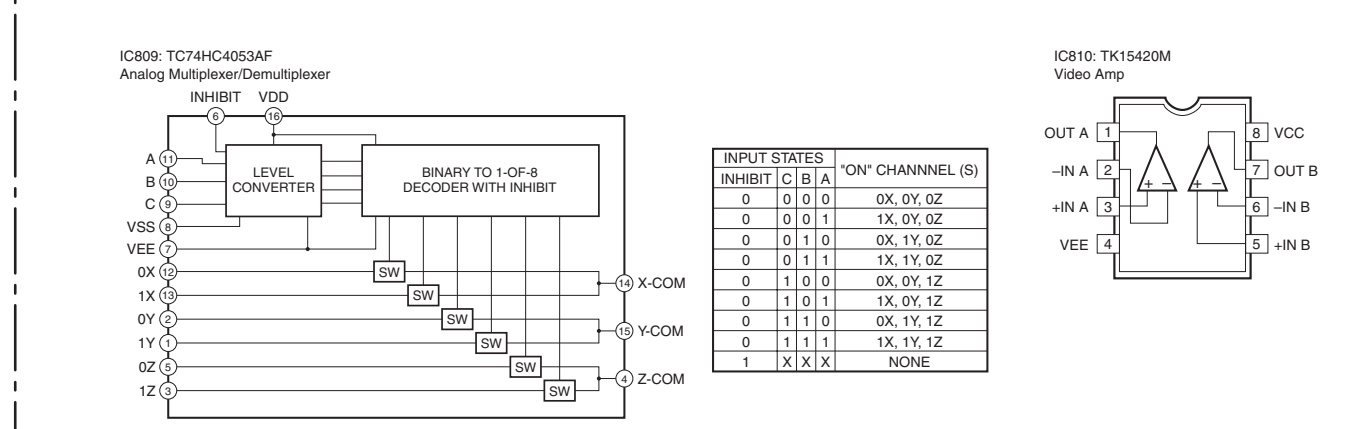
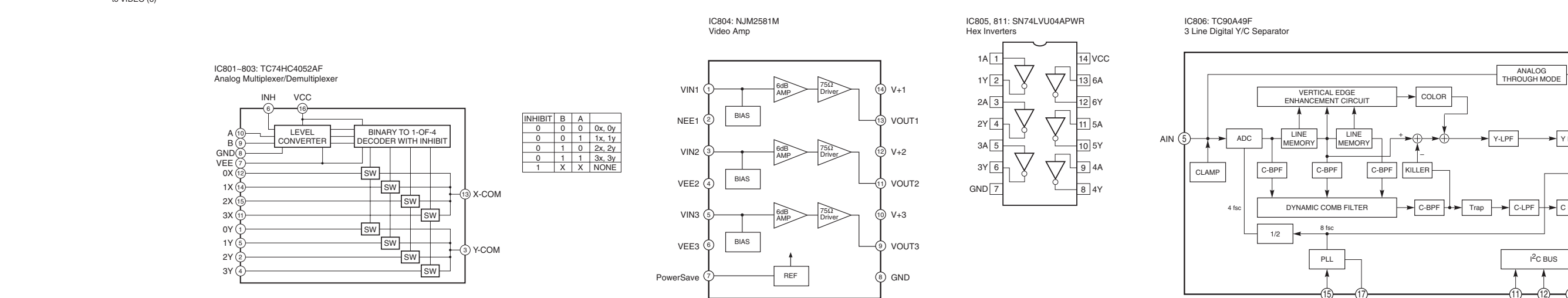
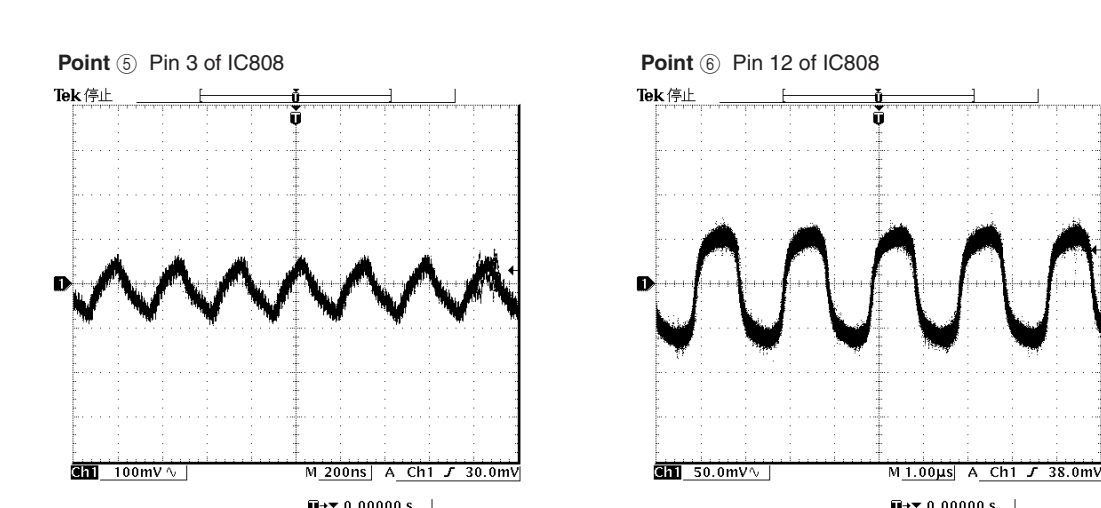
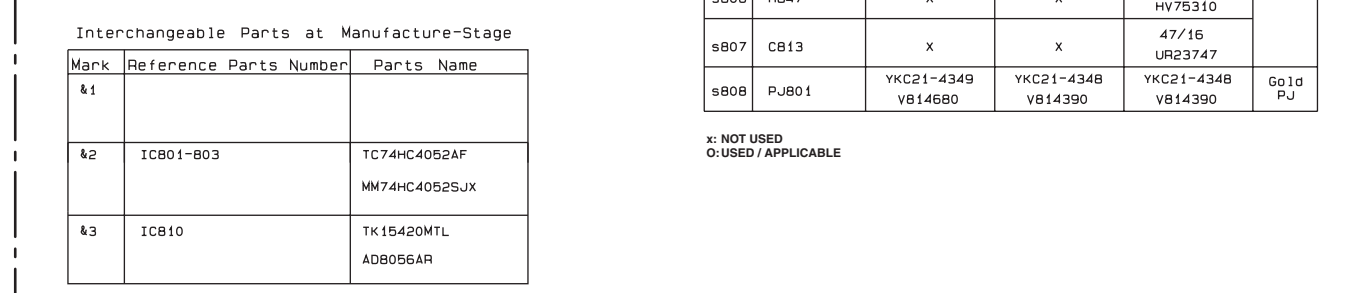
CAPACITOR

REMARKS	PARTS NAME
⊗	ELECTROLYTIC CAPACITOR
⊙	TANTALUM CAPACITOR
NO MARK	CERAMIC CAPACITOR
⊖	CERAMIC TUBULAR CAPACITOR
⊖	POLYESTER FILM CAPACITOR
○	POLYSTYRENE FILM CAPACITOR
⊕	MICA CAPACITOR
⊗	POLYPROPYLENE FILM CAPACITOR
⊙	SEMICONDUCTIVE CERAMIC CAPACITOR

Interchangeable Parts at Manufacture-Stage

Mark	Reference Parts Number	Parts Name
41		
42	IC801-803	TC74HC4053AF NM74HC4052SJX
43	IC810	TK15420ML AD8056AR

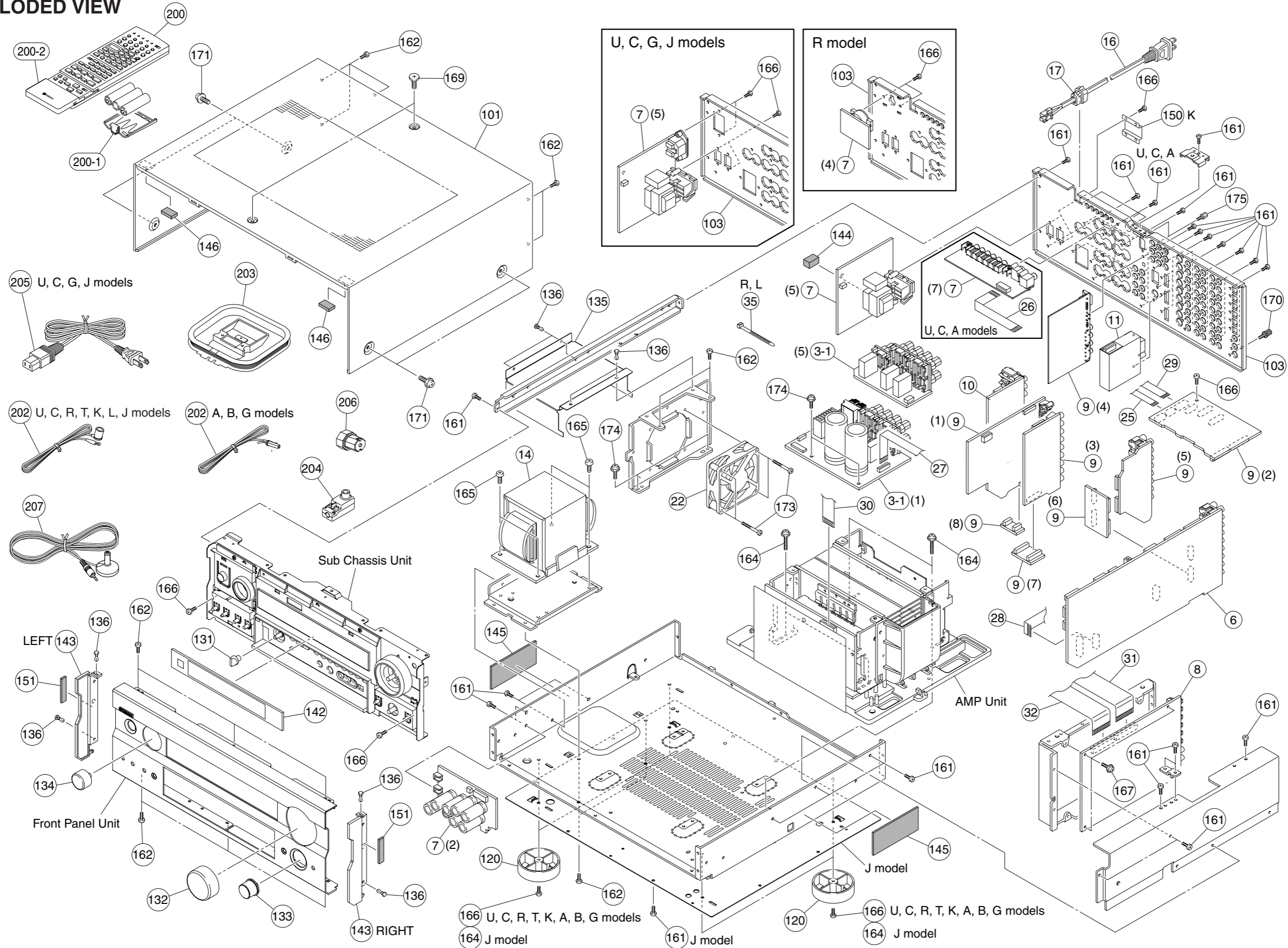
NOT USED  
 0 USED / APPLICABLE





RX-V2400/RX-V2400RDS/DSP-AX2400

EXPLODED VIEW





## RX-V2400/RX-V2400RDS/DSP-AX2400

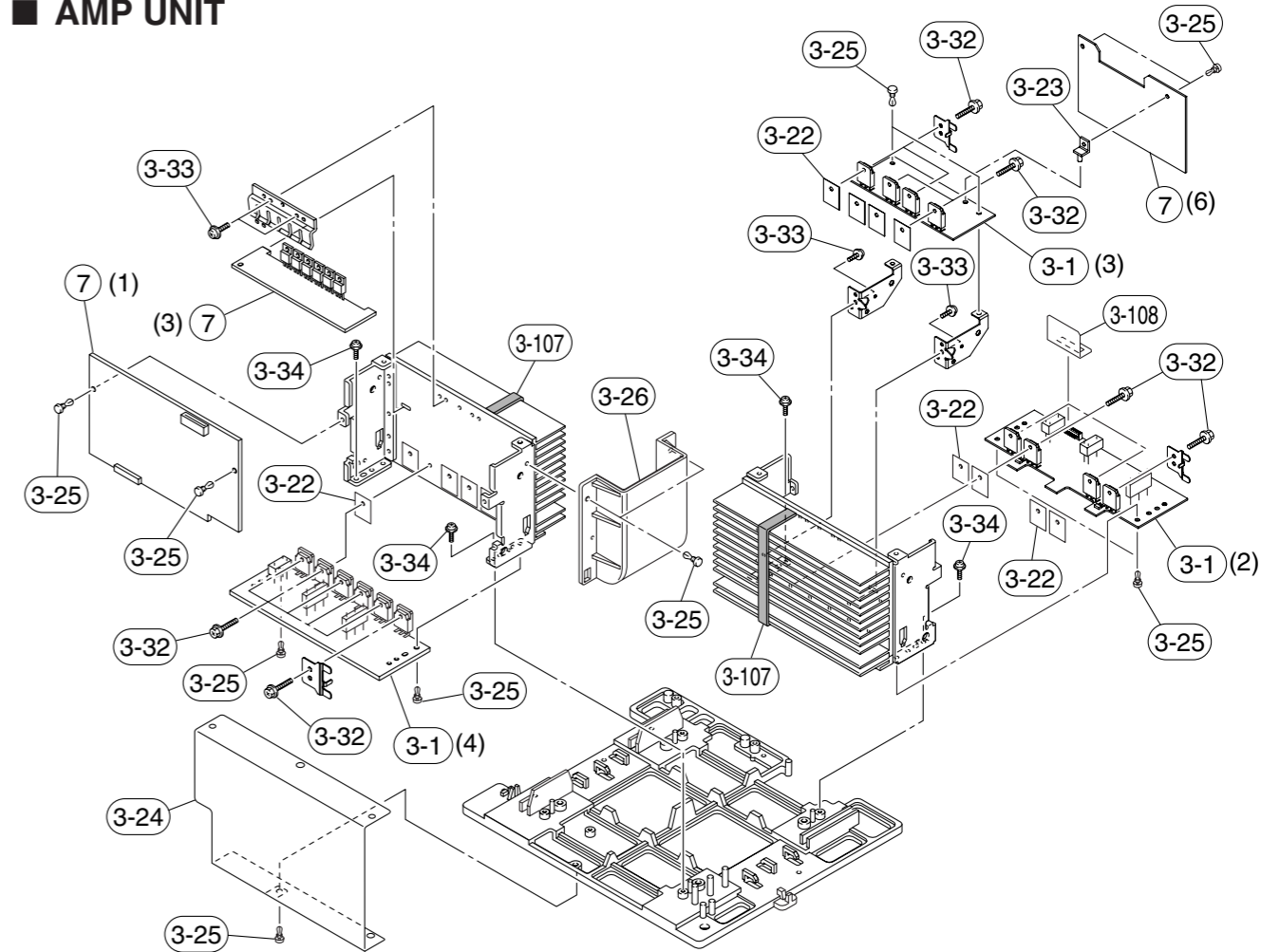
## RX-V2400/RX-V2400RDS/DSP-AX2400

## FRONT PANEL &amp; SUB CHASSIS UNIT

Schm Ref.	PART NO.	Description	Remarks	Markets	部品名	Rank
* 1-1	WB314500	FRONT PANEL			フロントパネル	
* 1-1	WB314400	FRONT PANEL			フロントパネル	
* 1-1	WB761800	FRONT PANEL			フロントパネル	
* 1-1	WB314300	FRONT PANEL			フロントパネル	
* 1-1	WB750500	FRONT PANEL			フロントパネル	
* 1-4	WB315700	ESCUTCHEON/FRONT		GD	エスカッション/F	
* 1-4	WB315600	ESCUTCHEON/FRONT		BL	エスカッション/F	
* 1-4	WB315800	ESCUTCHEON/FRONT		TI	エスカッション/F	
1-7	V6034200	EMBLEM		GD	エンブレム	
1-7	V6034100	EMBLEM		BL, TI	エンブレム	
* 2-1	WB726600	P.C.B. ASS'Y	OPERATION	JRTKL	PCBオペレーション	
* 2-1	WB726700	P.C.B. ASS'Y	OPERATION	UCA	PCBオペレーション	
* 2-1	WB726800	P.C.B. ASS'Y	OPERATION	BG	PCBオペレーション	
* 2-11	MF107500	FLEXIBLE FLAT CABLE	7P 500mm P=1.25		カード電線 C&C	
* 2-13	MB013300	S FLX FLAT CABLE C&C	13P 300mm P=1.25		Sカード電線 C&C	
* 2-14	MF115140	FLEXIBLE FLAT CABLE	15P 140mm P=1.25		カード電線 C&C	
* 2-15	MF121160	FLEXIBLE FLAT CABLE	21P 160mm P=1.25		カード電線 C&C	
* 2-22	WB311300	SUBPANEL/CASE		GD	サブパネル/ケース	
* 2-22	WB311200	SUBPANEL/CASE		BL	サブパネル/ケース	
* 2-22	WB311600	SUBPANEL/CASE		TI	サブパネル/ケース	
* 2-23	V9126500	SHAFT			シャフト	
* 2-25	WB311800	BUTTON, PLAY		GD	ボタン/P	
* 2-25	WB311700	BUTTON, PLAY		BL	ボタン/P	
* 2-25	WB311900	BUTTON, PLAY		TI	ボタン/P	
* 2-27	WB537500	ESCUTCHEON		GD	エスカッション	
* 2-27	WB537300	ESCUTCHEON		BL	エスカッション	
* 2-27	WB537600	ESCUTCHEON		TI	エスカッション	
* 2-28	WC624300	PANEL, LID		GD	パネル/リッド	
* 2-28	WC624200	PANEL, LID		BL	パネル/リッド	
* 2-28	WC624400	PANEL, LID		TI	パネル/リッド	
* 2-29	WB299900	PLATE, SP		GD	プレート/S P	
* 2-29	WB299700	PLATE, SP		BL	プレート/S P	
* 2-29	WB299800	PLATE, SP		BL	プレート/S P	
* 2-29	WB734700	PLATE, SP		TI	プレート/S P	
2-30	V6005100	HINGE, L		GD	ヒンジ L	
2-30	V6005000	HINGE, L		BL	ヒンジ L	
2-30	V6005200	HINGE, L		TI	ヒンジ L	
2-31	V6005400	HINGE, R		GD	ヒンジ R	
2-31	V6005300	HINGE, R		BL	ヒンジ R	
2-31	V6005500	HINGE, R		TI	ヒンジ R	
2-32	V4593300	SPRING, LID			スプリング/リッド	
2-33	V9124600	DAMPER, GEAR			ダンパー/ギヤ	
2-34	VQ368600	PUSH RIVET	P3555-B		プッシュリベット	01
2-36	VY940400	CUSHION, LID	T=0.8		クッション/LID	
2-38	WC144500	CUSHION/ 5X10	5x10		クッション/5X10	
* 2-46	WC308000	SPACER/HINGE			スペーサー/ヒンジ	
2-52	EP600250	BIND HEAD B-TIGHT SCREW	3x8 MFZN2Y		バインドBタイトネジ	01
2-53	VG863900	BIND HEAD TAPPING SCREW	2.6x6 MFZN2BL		バインドTPネジ	01
2-54	EP630220	BIND HEAD P-TIGHT SCREW	3x8 MFZN2BL		バインドPタイトネジ	
2-55	VE529700	PW HEAD B-TIGHT SCREW	3x6-8 MFC2BL		PWヘッドBタイトネジ	01
2-56	VK173200	SCREW, TRANSISTOR	3x15 SP MFC2		スクリューTR	01

\* New Parts \* 新規部品(マーク#の部品は、基板に含まれません)

## AMP UNIT

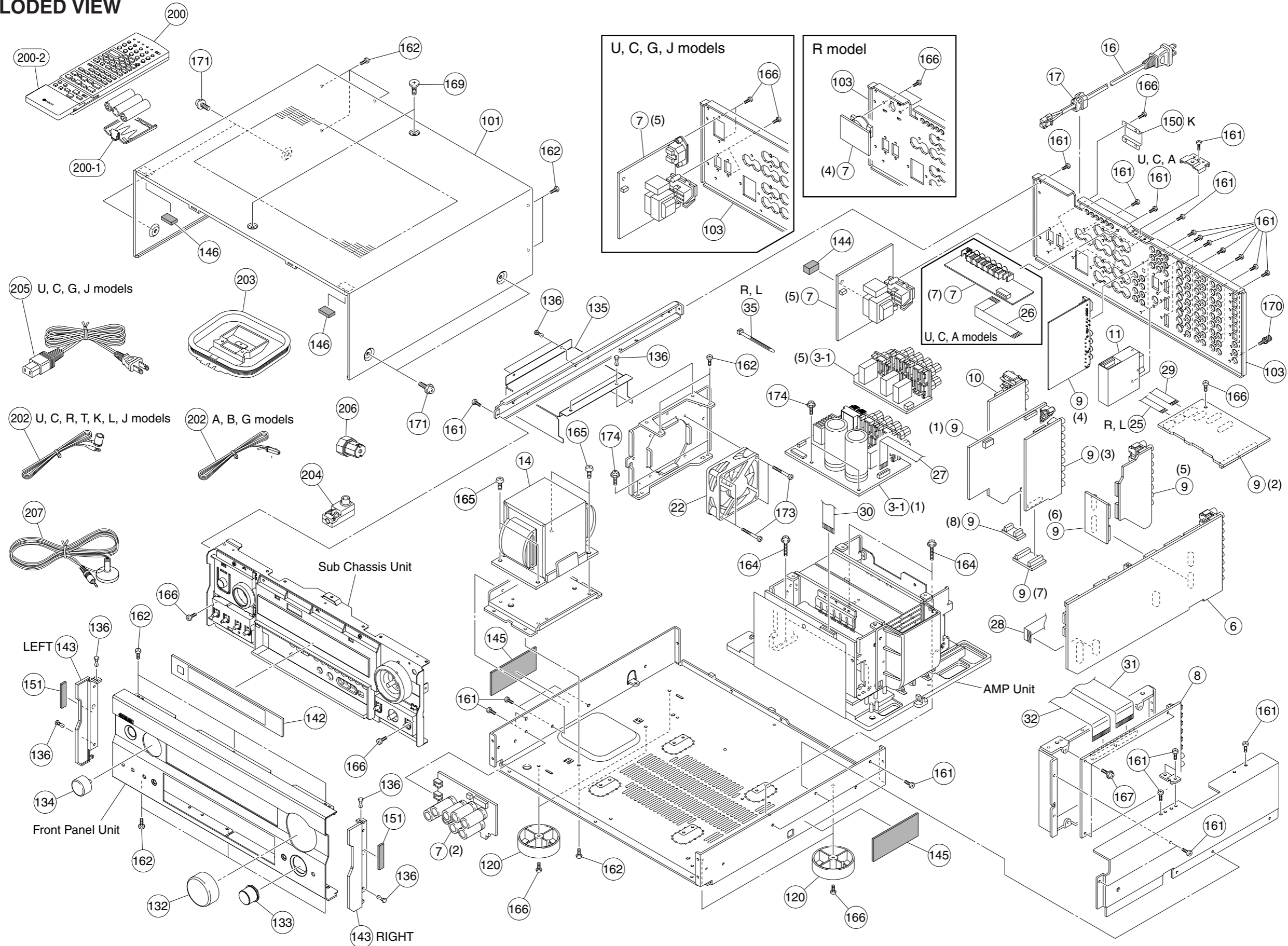


Schm Ref.	PART NO.	Description	Remarks	Markets	部品名	Rank
* 3-1	WB722100	P.C.B. ASS'Y	MAIN	J	PCBメイン	
* 3-1	WB722200	P.C.B. ASS'Y	MAIN	UCRTA	PCBメイン	
* 3-1	WB722300	P.C.B. ASS'Y	MAIN	KBGL	PCBメイン	
3-22	VV849300	SHEET	19x24		シート/放熱	01
3-23	CB091290	SUPPORT, P.C.B.	No. 1645		基板サポート	01
3-24	WB955600	SHEET/SHIELD 1400			シート/シールド	
3-25	VQ368600	PUSH RIVET	P3555-B		プッシュリベット	01
3-26	V9120600	DUCT			ダクト	
3-32	VK173200	SCREW, TRANSISTOR	3x15 SP MFC2		スクリューTR	01
3-33	VT669300	PW HEAD B-TIGHT SCREW	3x8-8 MFC2		PWヘッドBタイトネジ	
3-34	VB770200	PW HEAD P-TIGHT SCREW	3x10-8 MFC2		PWヘッドPタイトネジ	01
3-107	VP922500	DAMPER	2x10x170		ダンパー	01
* 3-108	WC558300	SPACER/PCB			スペーサー/PCB	
* 7	WB723100	P.C.B. ASS'Y	POWER	J	PCBパワー	
* 7	WB723200	P.C.B. ASS'Y	POWER	UC	PCBパワー	
* 7	WB723300	P.C.B. ASS'Y	POWER	R	PCBパワー	
* 7	WB723400	P.C.B. ASS'Y	POWER	TK	PCBパワー	
* 7	WB723500	P.C.B. ASS'Y	POWER	A	PCBパワー	
* 7	WB723600	P.C.B. ASS'Y	POWER	B	PCBパワー	
* 7	WB723700	P.C.B. ASS'Y	POWER	G	PCBパワー	
* 7	WB723800	P.C.B. ASS'Y	POWER	L	PCBパワー	

\* New Parts \* 新規部品(マーク#の部品は、基板に含まれません)

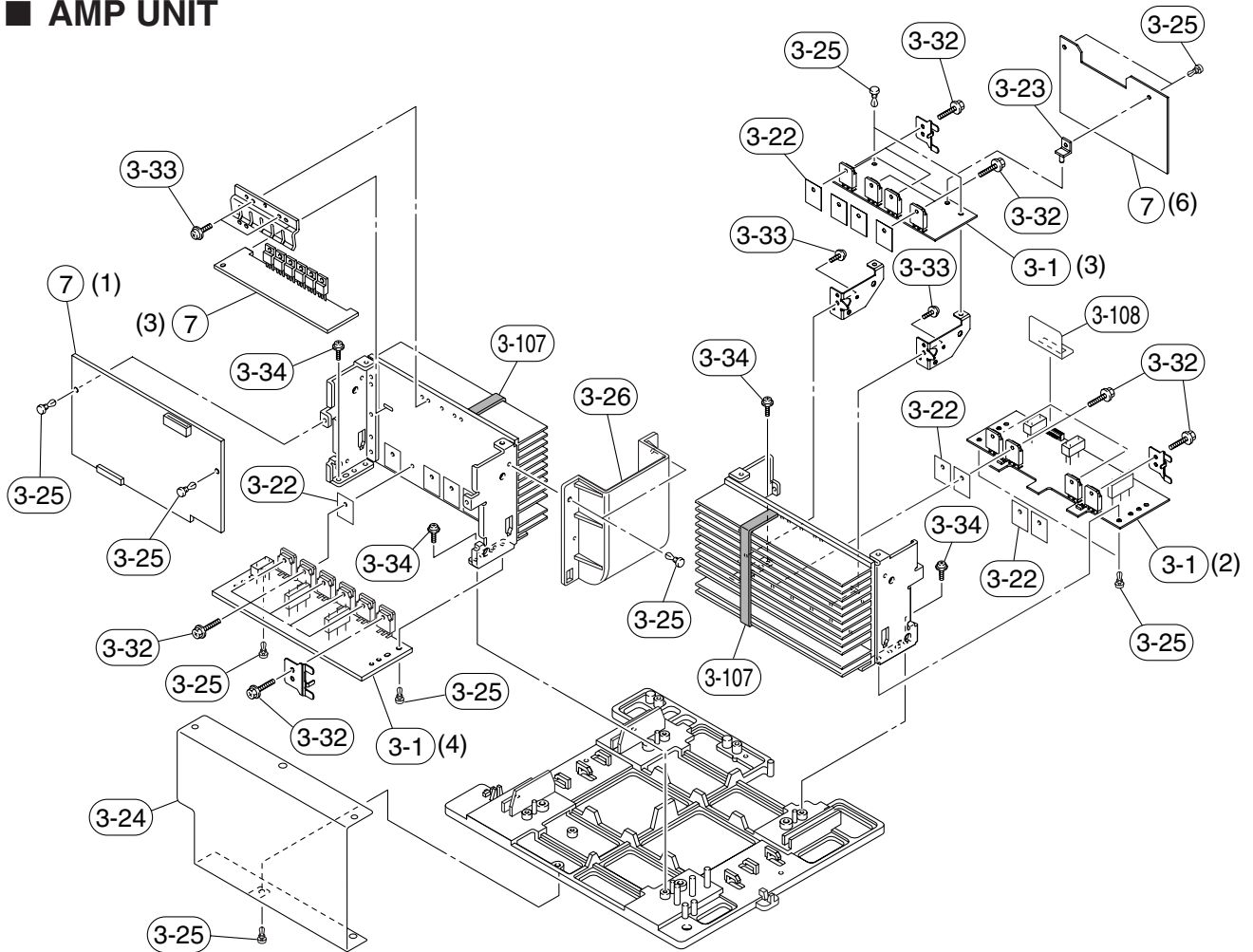
**RX-V1400/RX-V1400RDS/HTR-5690/DSP-AX1400**

**EXPLODED VIEW**



## RX-V1400/RX-V1400RDS/HTR-5690/DSP-AX1400

## AMP UNIT



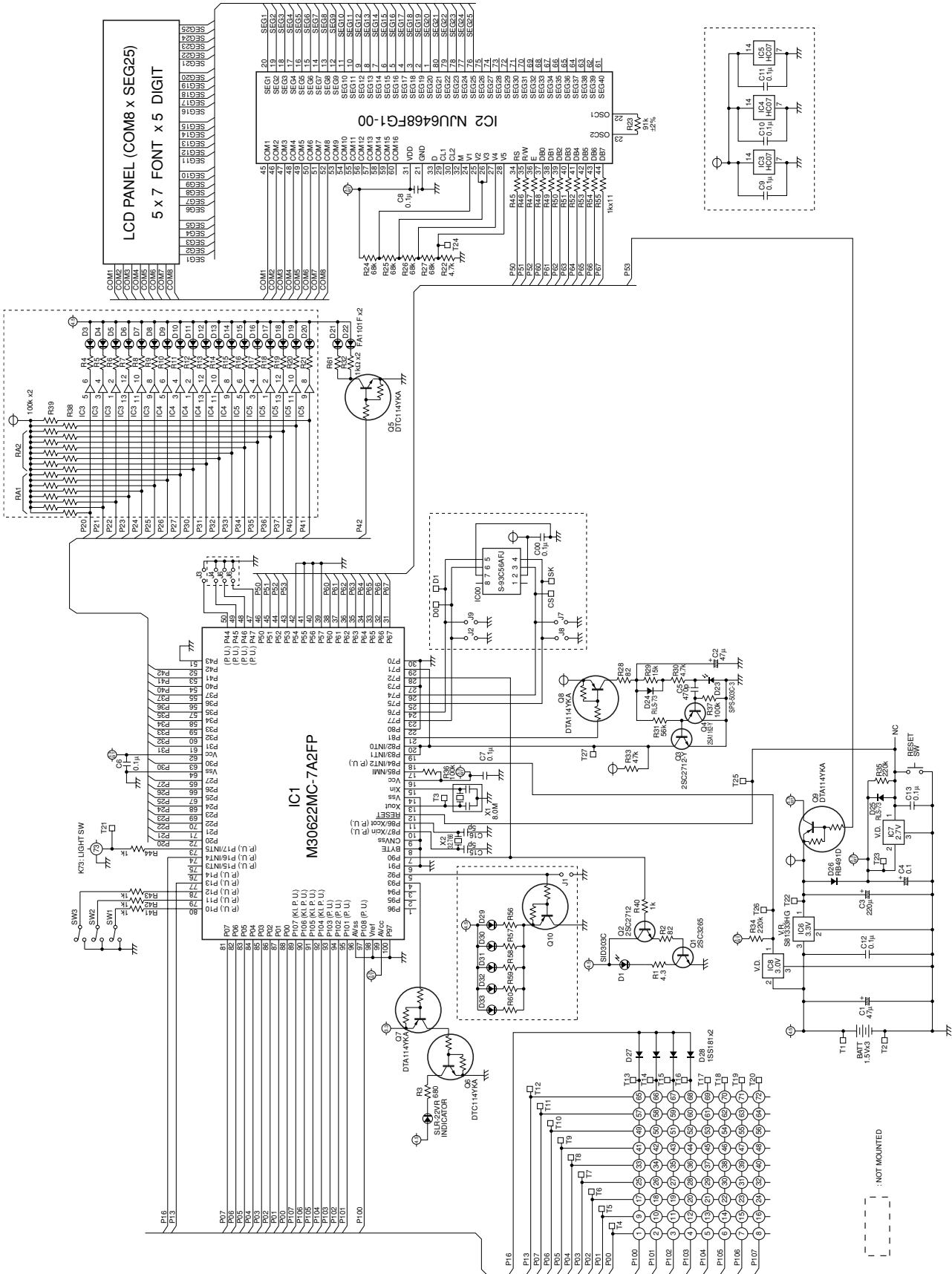
Schm Ref.	PART NO.	Description	Remarks	Markets	部品名	Rank
* 3-1	WB722400	P. C. B. ASS'Y	MAIN	J	PCBメイン	
* 3-1	WB722500	P. C. B. ASS'Y	MAIN	UCRТА	PCBメイン	
* 3-1	WB722600	P. C. B. ASS'Y	MAIN	KBGL	PCBメイン	
3-22	VV849300	SHEET	19x24		シート/放熱	01
* 3-23	CB091290	SUPPORT, P. C. B.	No. 1645		基板サポート	01
* 3-24	WB955600	SHEET/SHIELD 1400			シート/シールド	
3-25	VQ368600	PUSH RIVET	P3555-B		プッシュリベット	01
3-26	V9120600	DUCT			ダクト	02
3-32	VK173200	SCREW, TRANSISTOR	3x15 SP MFC2		スクリューTR	01
3-33	VT669300	PW HEAD B-TIGHT SCREW	3x8-8 MFC2		PWヘッドBタイトネジ	01
3-34	VB770200	PW HEAD P-TIGHT SCREW	3x10-8 MFC2		PWヘッドPタイトネジ	01
3-107	VP922500	DAMPER	2x10x170		ダンパー	01
* 3-108	WC558300	SPACER/PCB			スペーサー/PCB	
* 7	WB723900	P. C. B. ASS'Y	POWER	J	PCBパワー	
* 7	WB724000	P. C. B. ASS'Y	POWER	UC	PCBパワー	
* 7	WB724100	P. C. B. ASS'Y	POWER	R	PCBパワー	
* 7	WB724300	P. C. B. ASS'Y	POWER	TK	PCBパワー	
* 7	WB724400	P. C. B. ASS'Y	POWER	A	PCBパワー	
* 7	WB724500	P. C. B. ASS'Y	POWER	B	PCBパワー	
* 7	WB724600	P. C. B. ASS'Y	POWER	G	PCBパワー	
* 7	WB724700	P. C. B. ASS'Y	POWER	L	PCBパワー	

\* New Parts \* 新規部品(マーク#の部品は、基板に含まれません)



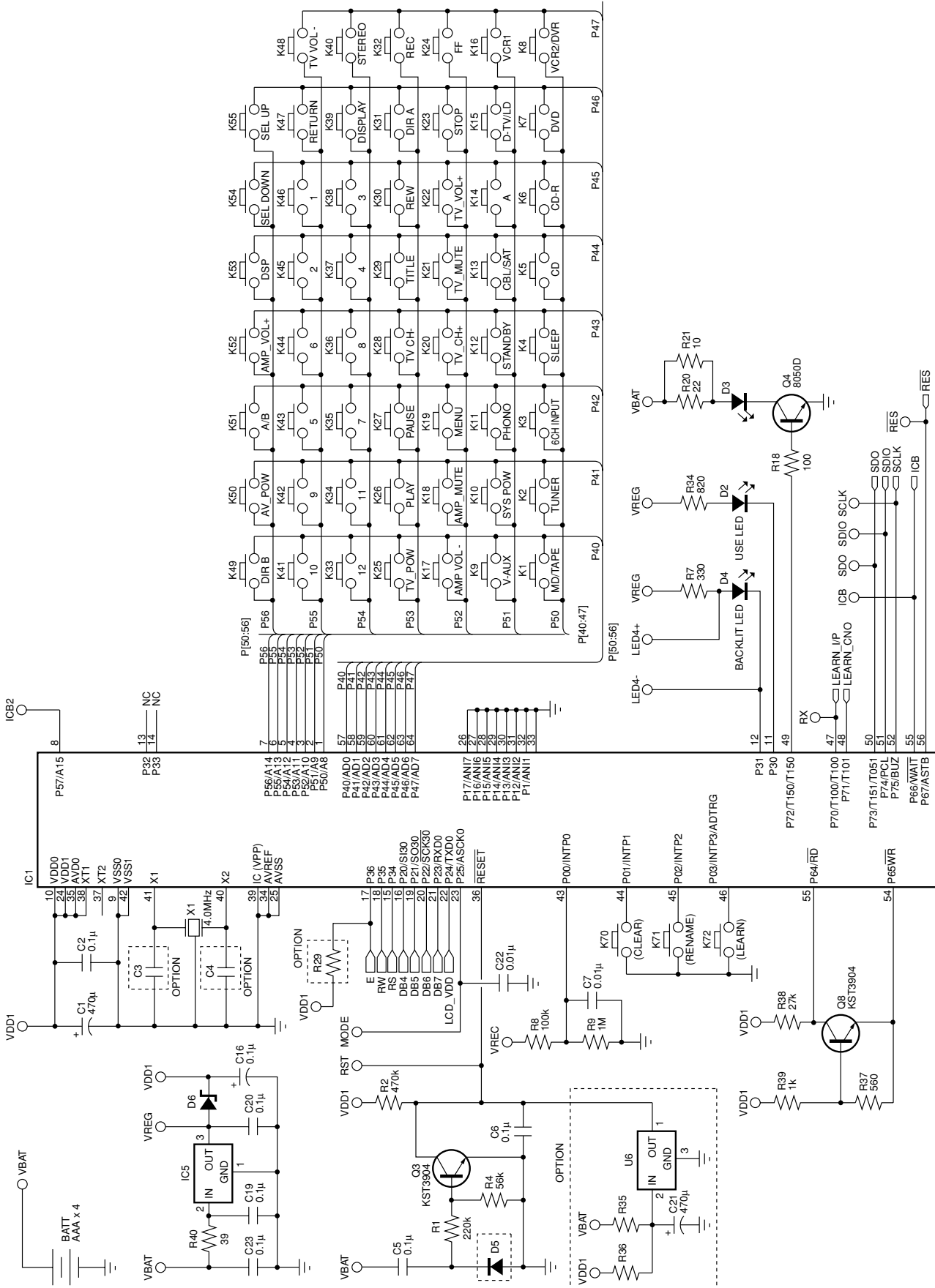
# RX-V2400/RX-V2400RDS/DSP-AX2400

## REMOTE CONTROL RAV228



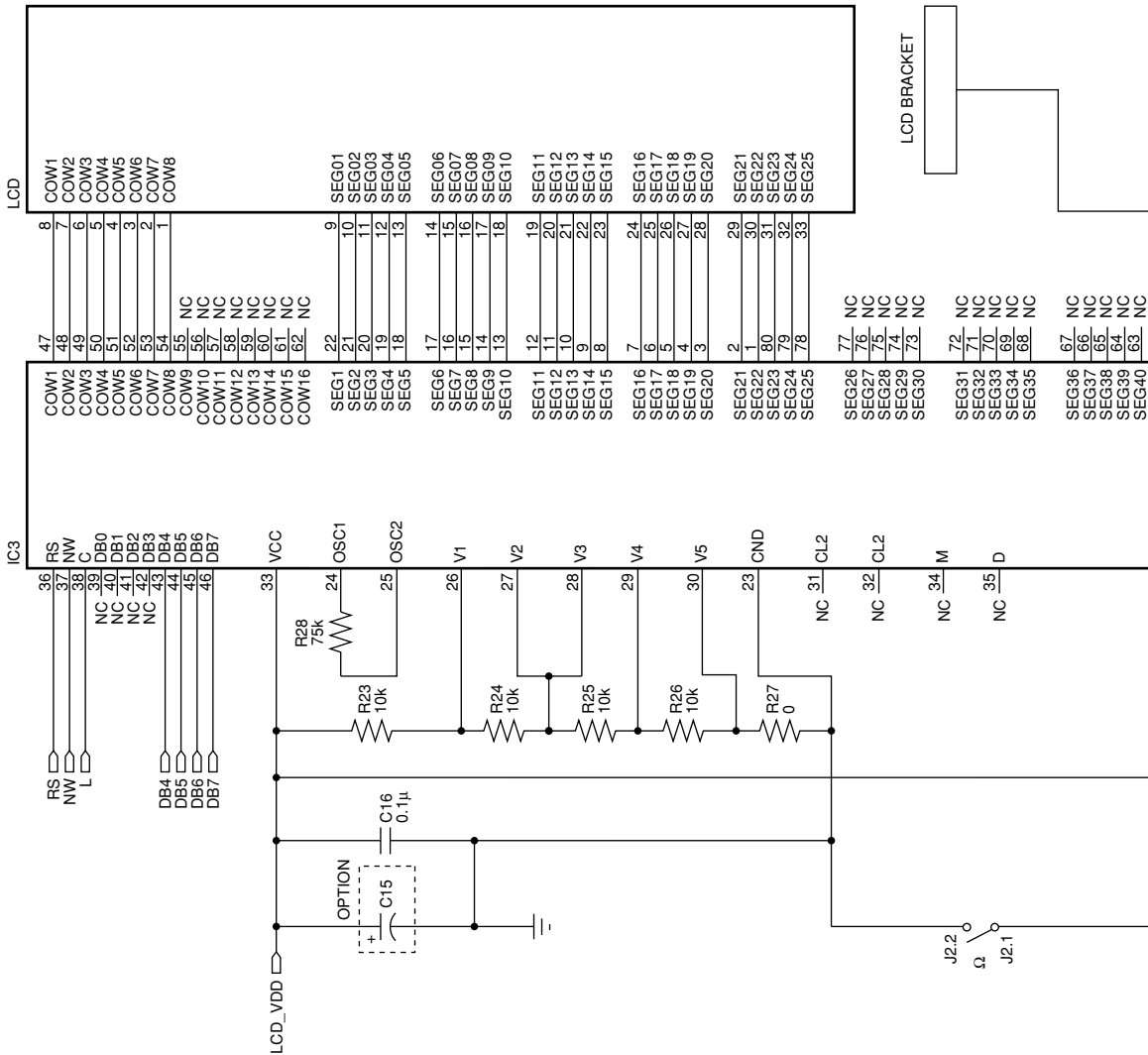
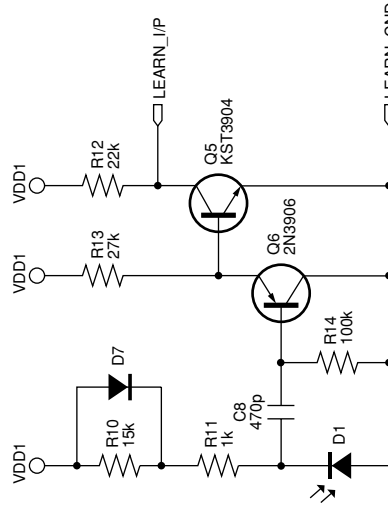
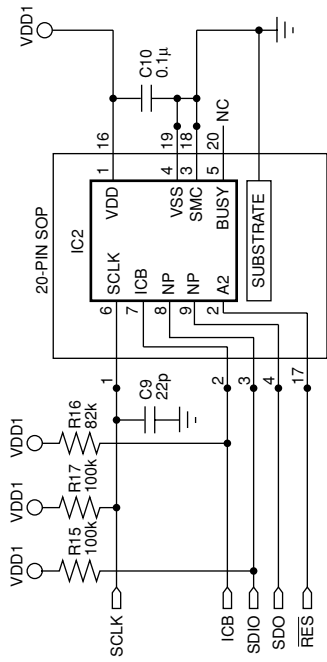
**RX-V1400/RX-V1400RDS/HTR-5690/DSP-AX1400**

■ **REMOTE CONTROL RAV238, RAV239**



RX-V2400/RX-V2400RDS/DSP-AX2400  
 RX-V1400/RX-V1400RDS/HTR-5690/DSP-AX1400

**RX-V1400/RX-V1400RDS/HTR-5690/DSP-AX1400**



LCD BRACKET

SUBSTRATE

RX-V2400/RX-V2400RDS/DSP-AX2400  
 RX-V1400/RX-V1400RDS/HTR-5690/DSP-AX1400