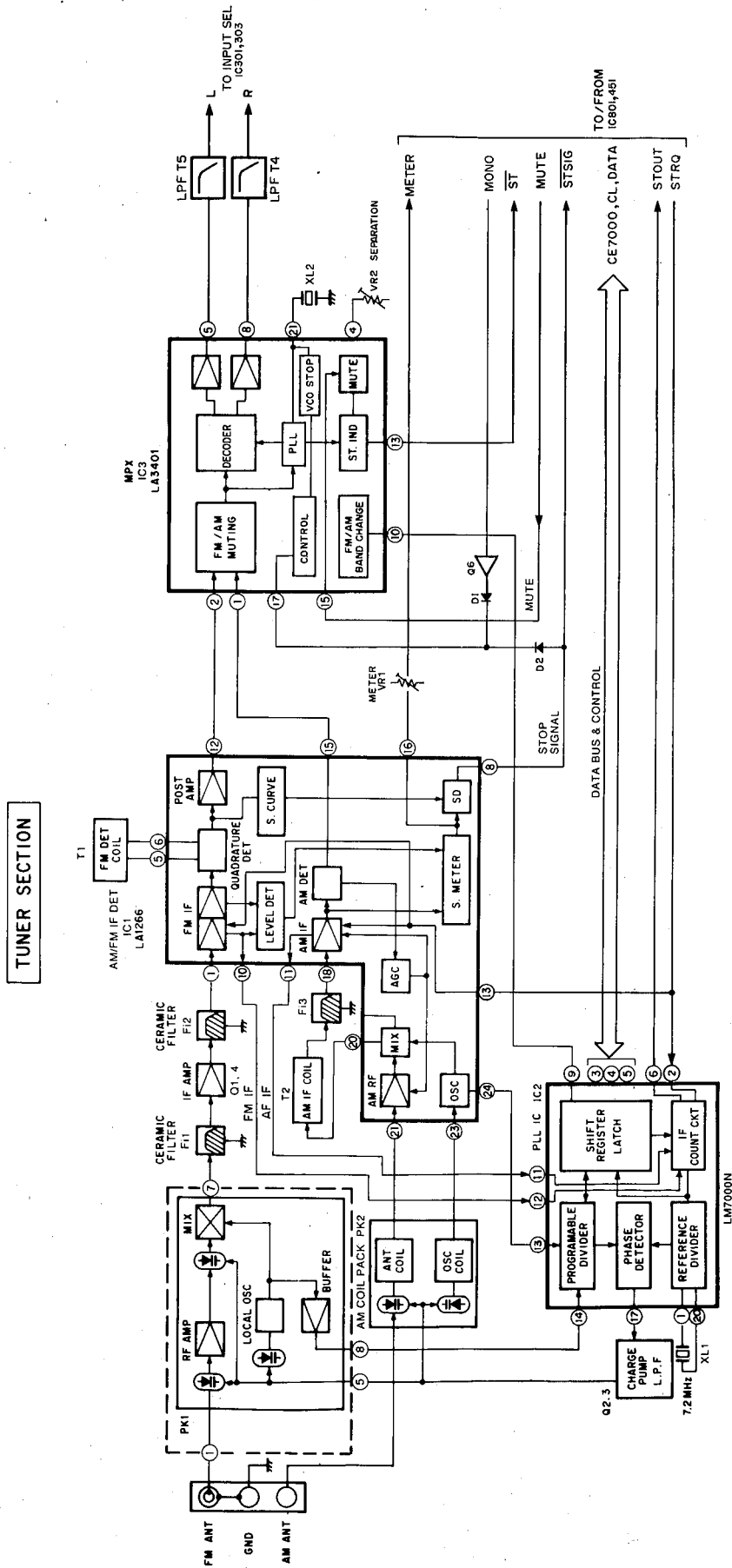
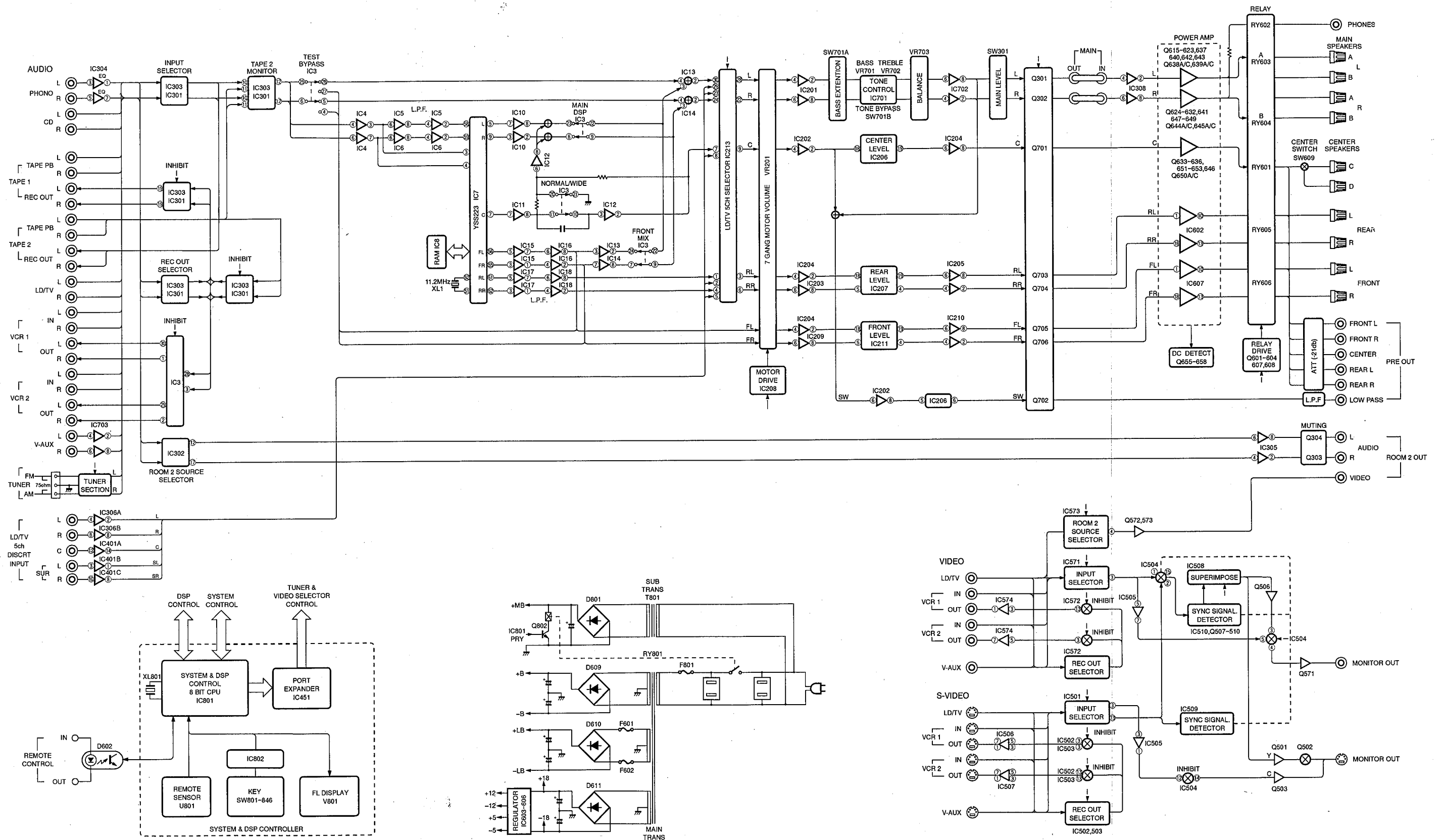


■ BLOCK DIAGRAM



■ BLOCK DIAGRAM



SCHEMATIC DIAGRAM (TUNER & OPERATION)

①, ④ and ⑤: TEST POINT WAVEFORMS (See page 24)

Each voltage given here represents that in the FM (98.1MHz, STEREO) reception mode but the one in the parentheses ( ) is that in the AM (1080kHz, MAN'L) reception mode.

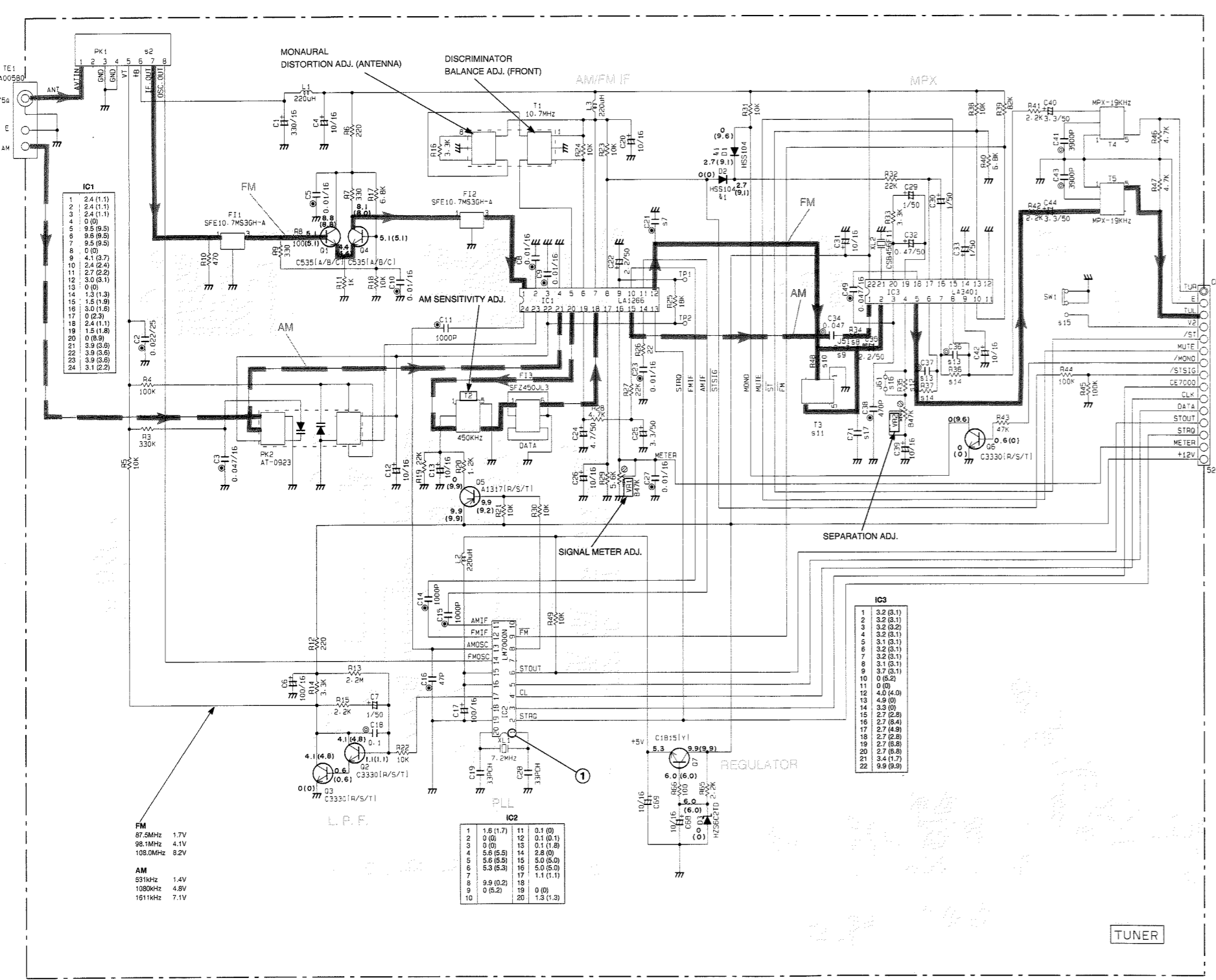
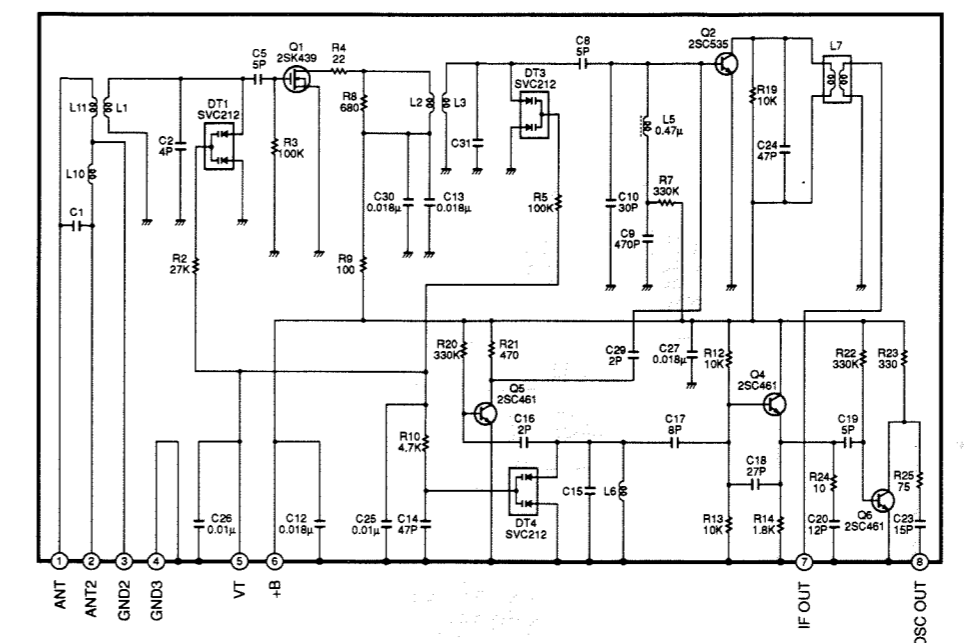


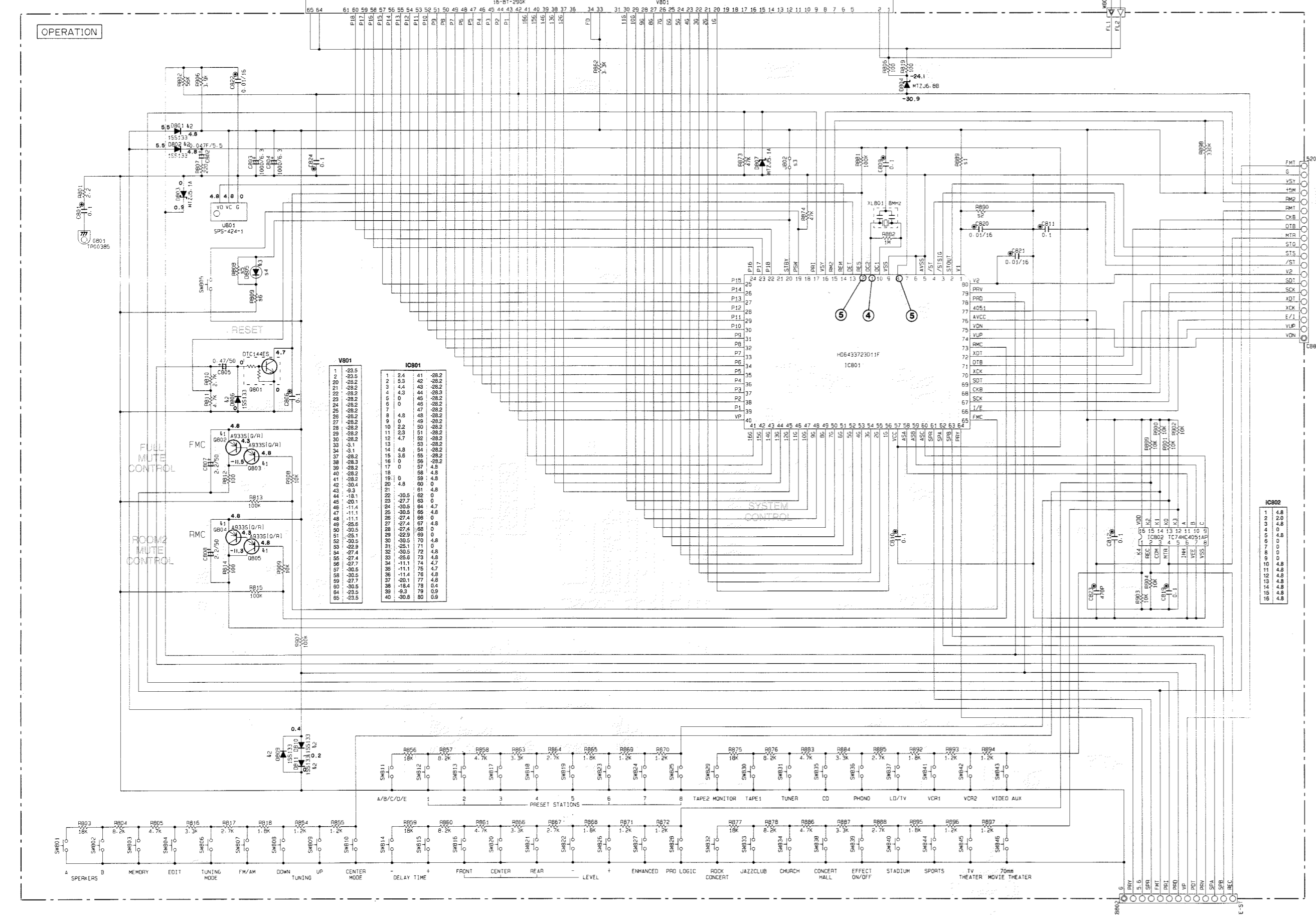
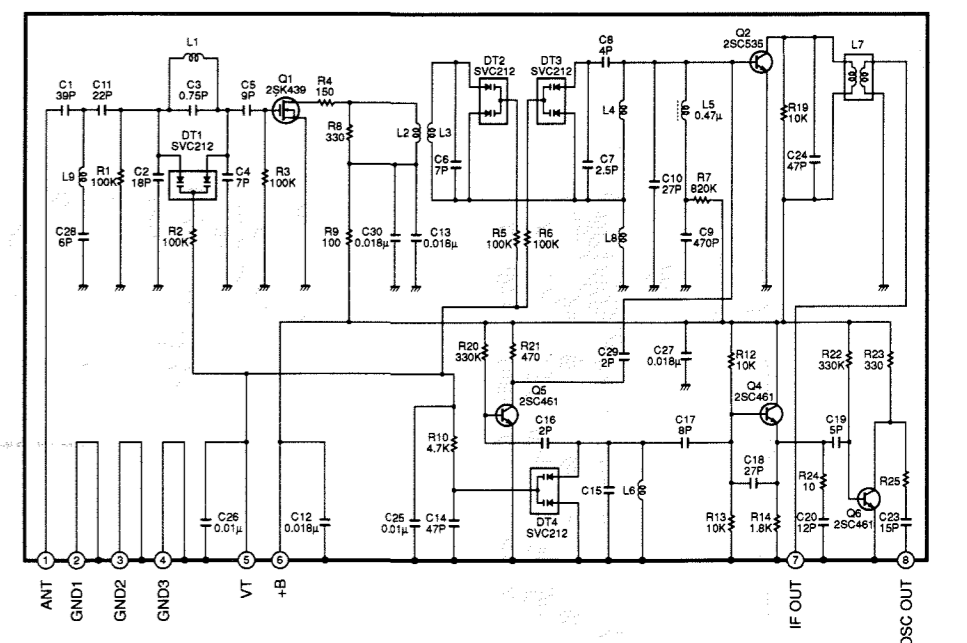
Table with 5 columns: U-C, R, A-B, S, G. It lists component values for different parts of the circuit.

Interchangeable Parts at Manufacture Stage table with columns: Name, Reference Parts Number, Parts Name.

Except G model PK1 : ENV-17298GI (VR242200)



G model PK1 : ENV-17297GI (VQ987600)



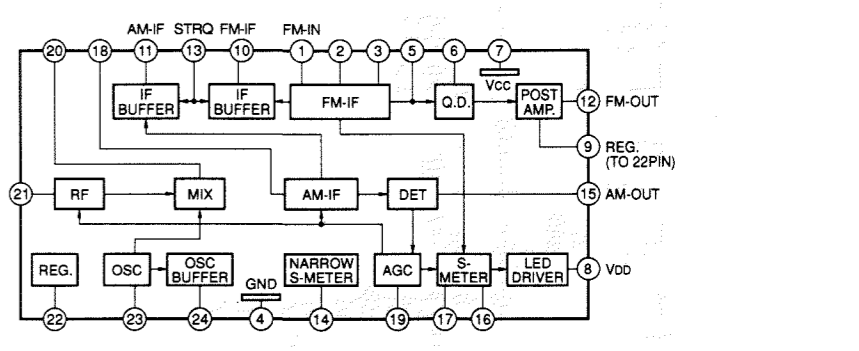
Capacitor table with columns: Remarks, Parts Name, and a list of capacitor types.

Resistor table with columns: Remarks, Parts Name, and a list of resistor types.

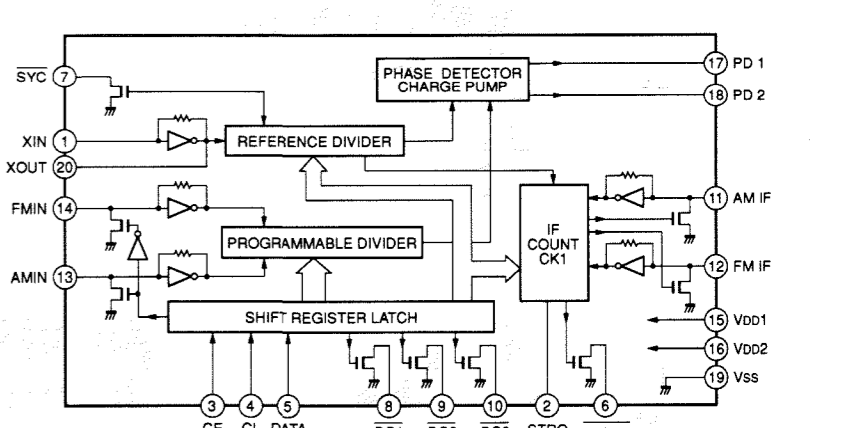
Interchangeable Parts at Manufacture Stage table for the operation section.

Capacitor table with columns: Remarks, Parts Name, and a list of capacitor types.

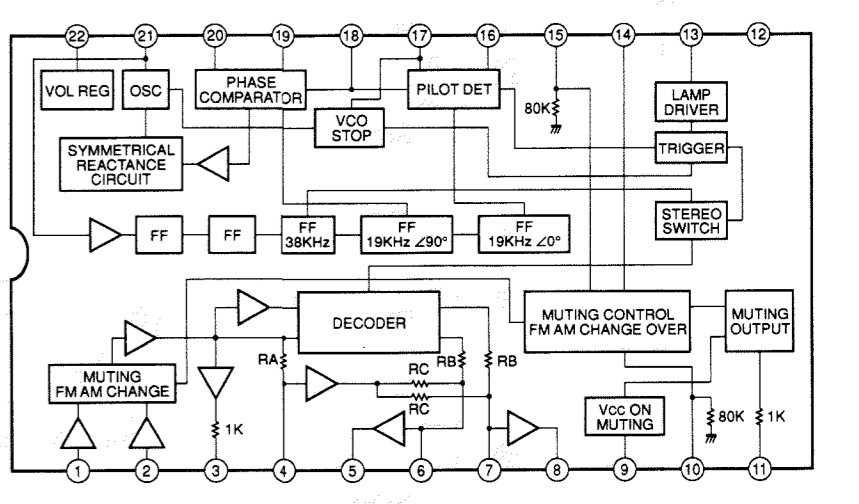
IC1 : LA1266 AM/FM IF



IC2 : LM7000N PLL Controller



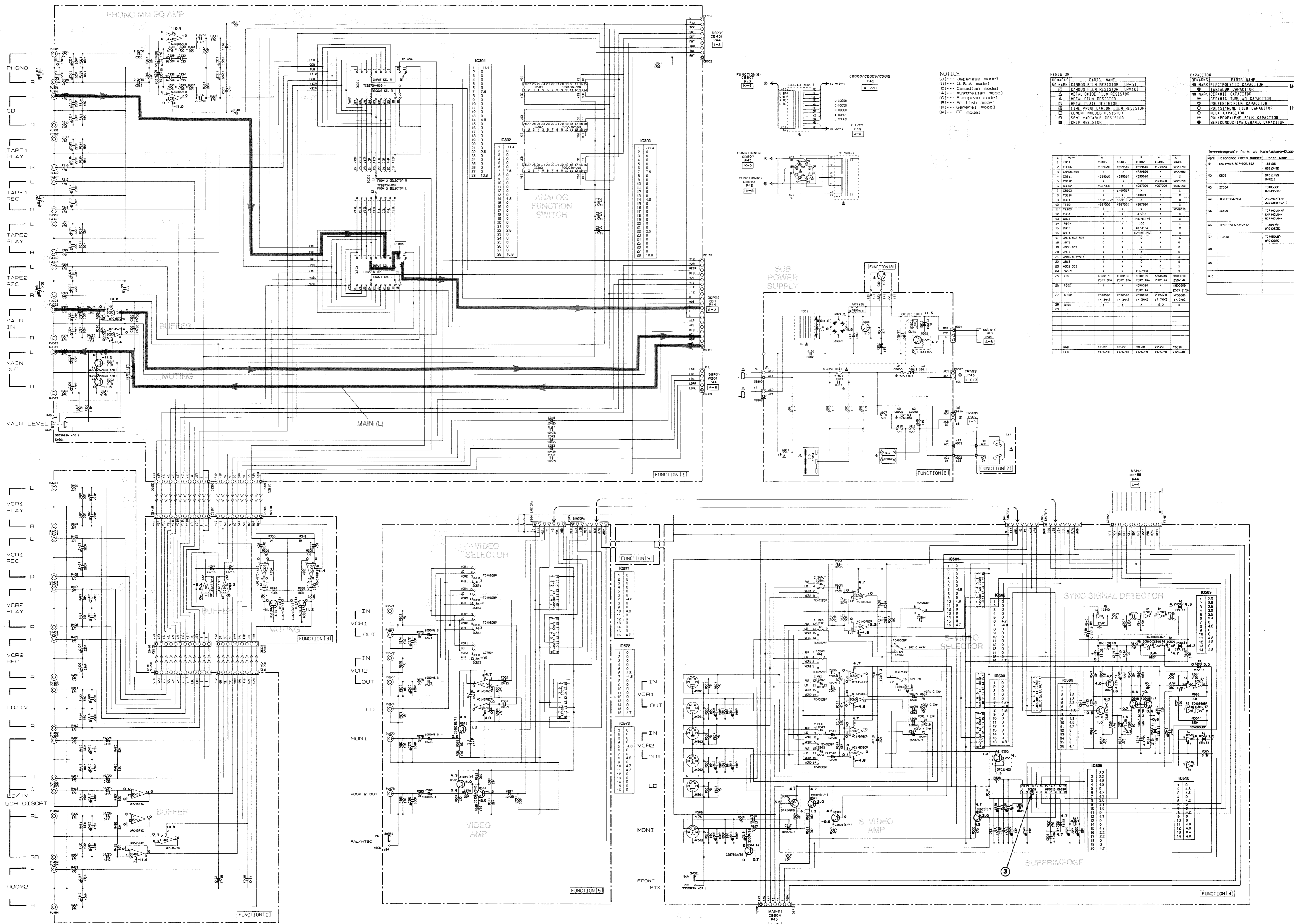
IC3 : LA3401 MPX



All voltages are measured with a 10MΩ/DC electric volt meter. Components having special characteristics are marked with a triangle and must be replaced with parts having specifications equal to those originally installed. Schematic diagram is subject to change without notice.

■ SCHEMATIC DIAGRAM (FUNCTION)

③ : TEST POINT WAVEFORMS (See page 24)



NOTICE  
 (J)..... Japanese mode)  
 (U)..... U.S.A mode)  
 (C)..... Canadian mode)  
 (A)..... Australian mode)  
 (G)..... European mode)  
 (B)..... British mode)  
 (E)..... General mode)  
 (P)..... PSP mode)

RESISTOR	REMARKS	PARTS NAME
NO MARK	CARBON FILM RESISTOR (P=5)	RES133
Ω	CARBON FILM RESISTOR (P=10)	RES134
△	METAL GLAZE FILM RESISTOR	RES135
■	METAL FILM RESISTOR	RES136
□	METAL GLAZE FILM RESISTOR	RES137
◇	FIBRE PROF. CARBON FILM RESISTOR	RES138
○	GENERAL PURPOSE RESISTOR	RES139
⊖	SEM. VARIABLE RESISTOR	RES140
⊕	CHIP RESISTOR	RES141

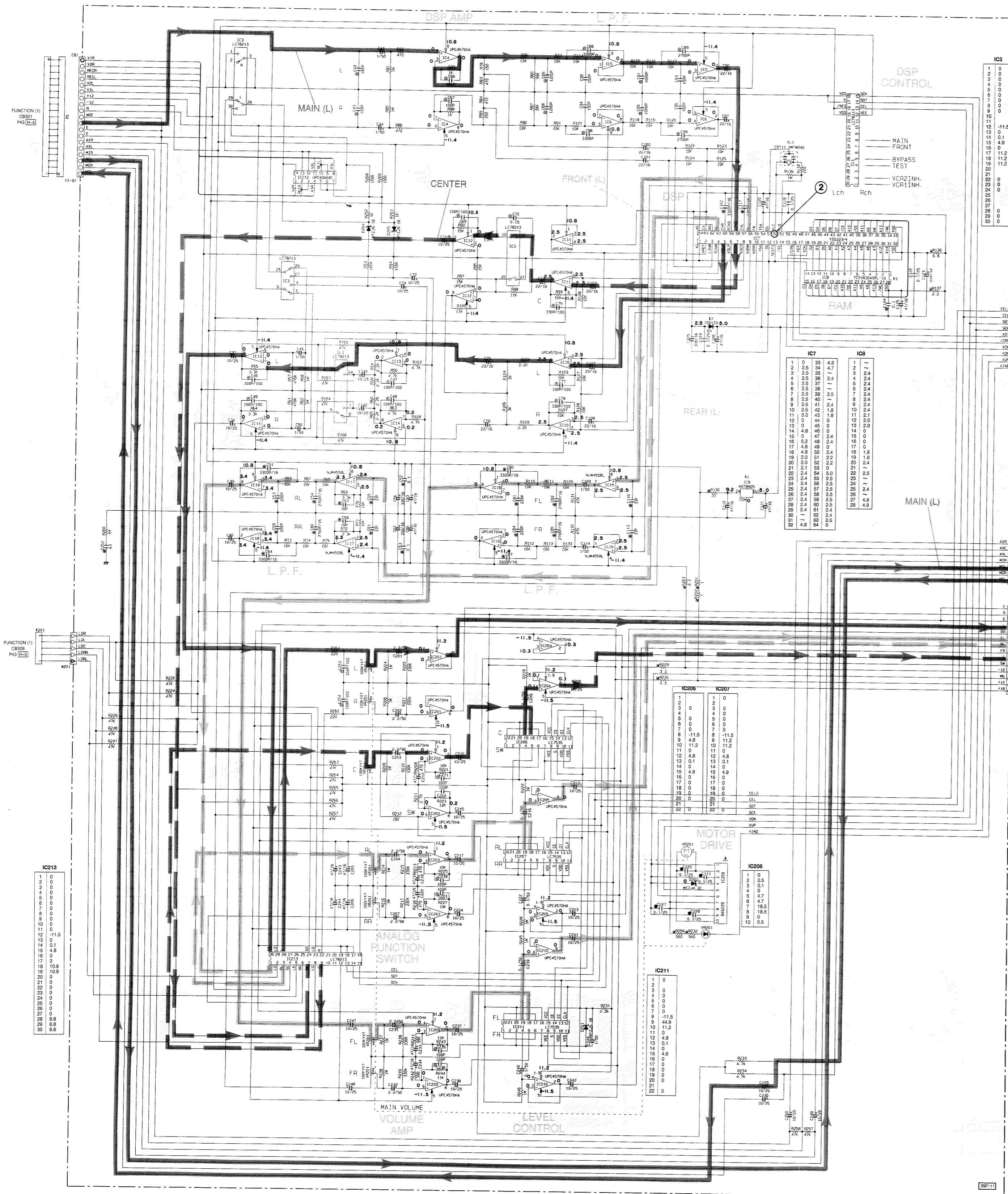
CAPACITOR	REMARKS	PARTS NAME
NO MARK	ELECTROLYTIC CAPACITOR	CAP133
○	TANTALUM CAPACITOR	CAP134
△	METAL GLAZE CERAMIC CAPACITOR	CAP135
■	CERAMIC 100V/50V CAPACITOR	CAP136
□	POLYESTER FILM CAPACITOR	CAP137
◇	POLYSTYRENE FILM CAPACITOR	CAP138
○	MICA CAPACITOR	CAP139
⊖	POLYPROPYLENE FILM CAPACITOR	CAP140
⊕	SEMICONDUCTIVE CERAMIC CAPACITOR	CAP141

Interchangeable Parts at Manufacture-Stage	Part No.	Part Name
1	0001-905-507-505-802	RES133
2	0001-905-507-505-802	RES134
3	0001-905-507-505-802	RES135
4	0001-905-507-505-802	RES136
5	0001-905-507-505-802	RES137
6	0001-905-507-505-802	RES138
7	0001-905-507-505-802	RES139
8	0001-905-507-505-802	RES140
9	0001-905-507-505-802	RES141
10	0001-905-507-505-802	RES142
11	0001-905-507-505-802	RES143
12	0001-905-507-505-802	RES144
13	0001-905-507-505-802	RES145
14	0001-905-507-505-802	RES146
15	0001-905-507-505-802	RES147
16	0001-905-507-505-802	RES148
17	0001-905-507-505-802	RES149
18	0001-905-507-505-802	RES150
19	0001-905-507-505-802	RES151
20	0001-905-507-505-802	RES152
21	0001-905-507-505-802	RES153
22	0001-905-507-505-802	RES154
23	0001-905-507-505-802	RES155
24	0001-905-507-505-802	RES156
25	0001-905-507-505-802	RES157
26	0001-905-507-505-802	RES158
27	0001-905-507-505-802	RES159
28	0001-905-507-505-802	RES160
29	0001-905-507-505-802	RES161
30	0001-905-507-505-802	RES162

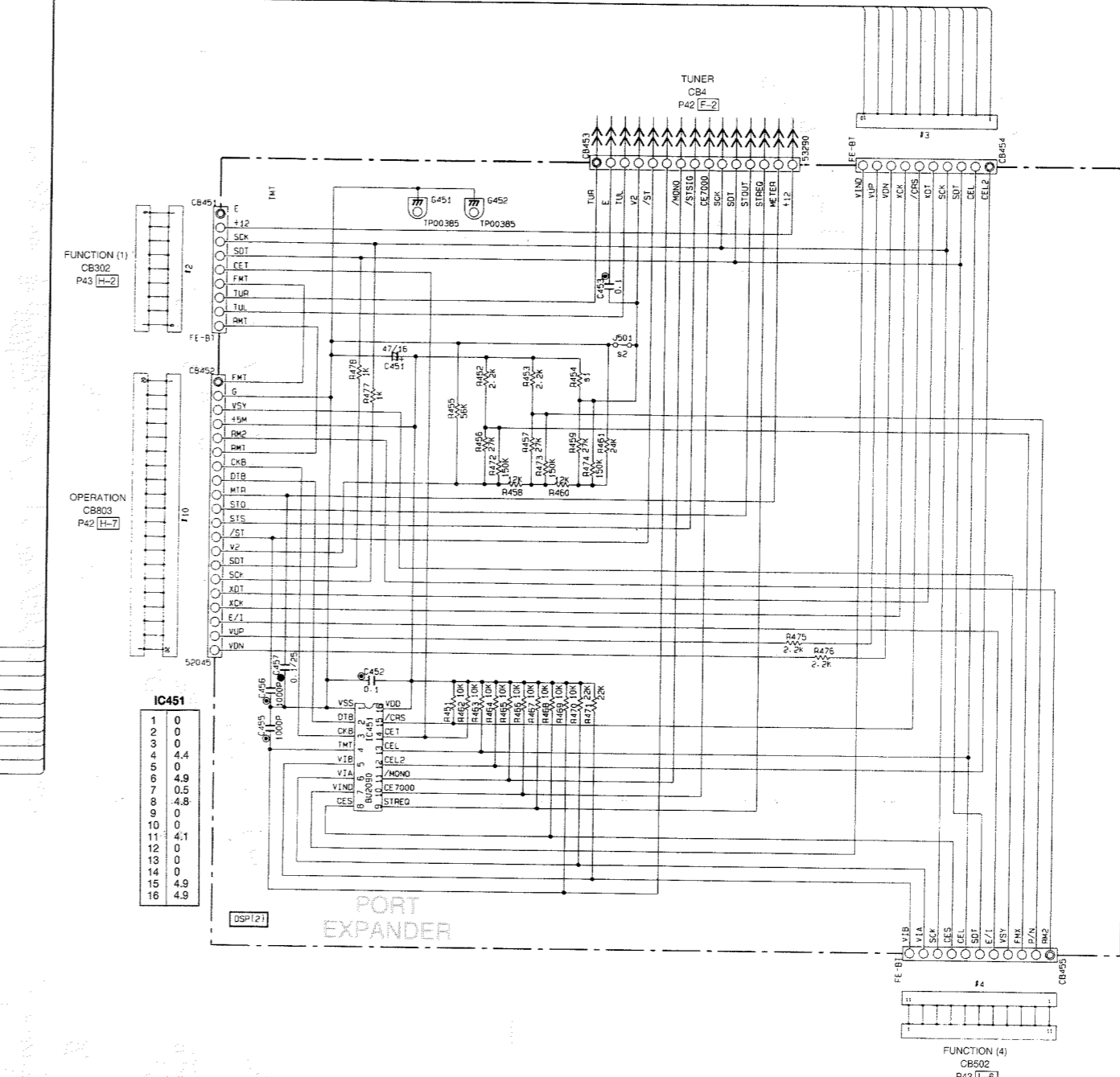
\* All voltage are measured with a 10MΩ/DC electric volt meter.  
 \* Components having special characteristics are marked △ and must be replaced with parts having specifications equal to those originally installed.  
 \* Schematic diagram is subject to change without notice.

SCHEMATIC DIAGRAM (DSP)

② : TEST POINT WAVEFORMS (See page 24)

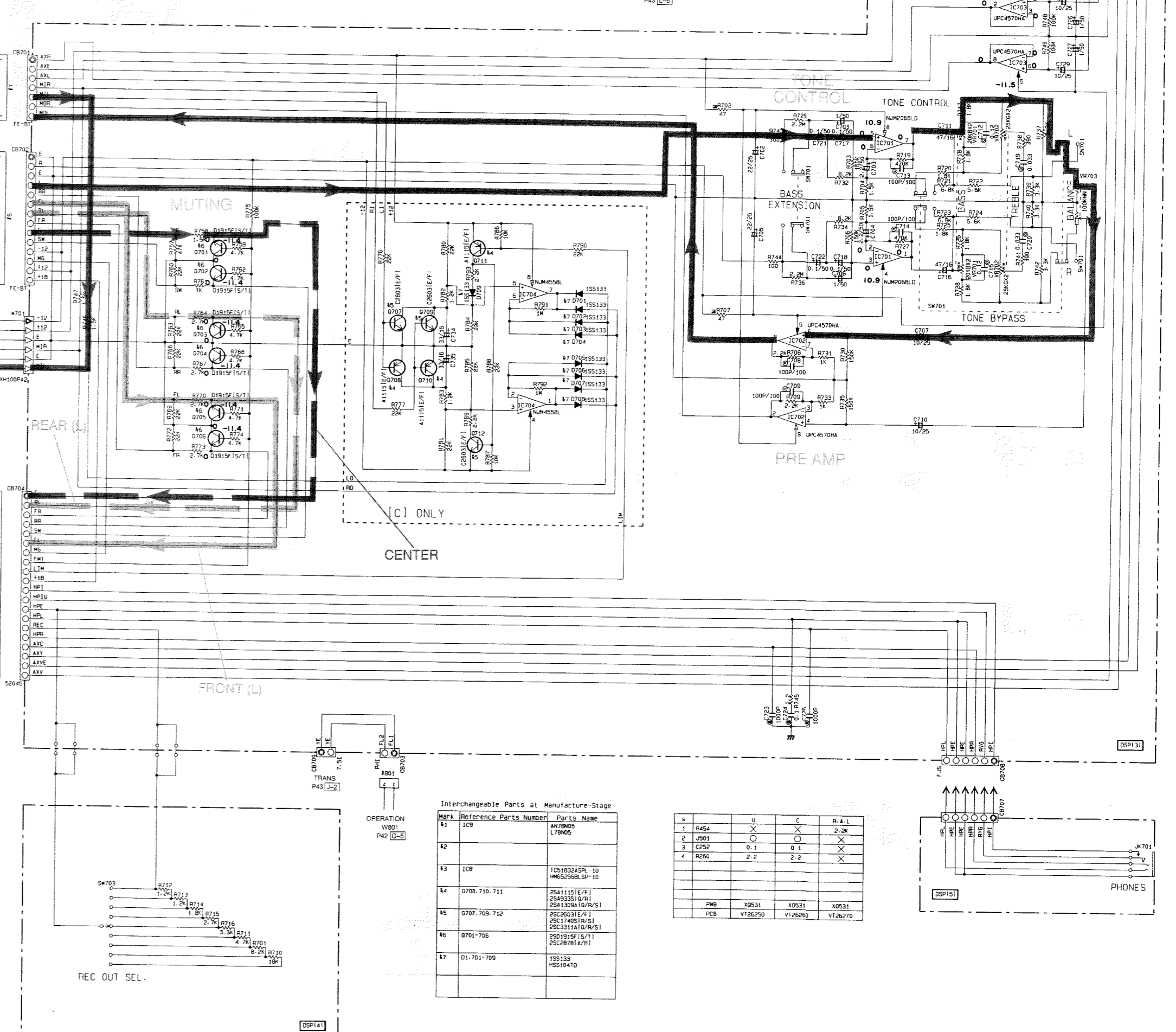
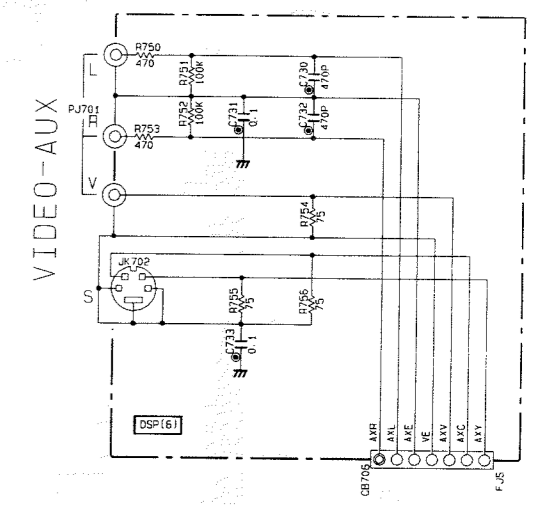


REMARKS	PARTS NAME	REMARKS	PARTS NAME
NO MARK	CARBON FILM RESISTOR (P-15)	NO MARK	ELECTROLYTIC CAPACITOR
ⓐ	CARBON FILM RESISTOR (P-10)	ⓐ	ELECTROLYTIC CAPACITOR
ⓑ	METAL OXIDE FILM RESISTOR	ⓑ	CERAMIC CAPACITOR
ⓒ	METAL FILM RESISTOR	ⓒ	POLYESTER FILM CAPACITOR
ⓓ	FIRE PROOF CARBON FILM RESISTOR	ⓓ	POLYSTYRENE FILM CAPACITOR
ⓔ	CEMENT MOUNTED RESISTOR	ⓔ	ALIC CAPACITOR
ⓕ	SLURRY VARIABLE RESISTOR	ⓕ	POLYPROPYLENE FILM CAPACITOR
ⓖ	COIL RESISTOR	ⓖ	SEMICONDUCTIVE CERAMIC CAPACITOR



CASE	IC301,303 (*)	IC3 (L/R)	IC3 (NOISE DOLBY L/R)	IC3 (FRONT)	IC3 (FRONT)
TAPE MONITOR OFF	ON	11, 12	25, 26	22, 23	22, 24
TAPE MONITOR ON	OFF	ON	OFF	OFF	10, 11
EFFECT OFF	---	---	---	---	---
HIFI DSP PROGRAM (2)	---	ON	OFF	OFF	OFF
CINEMA DSP PROGRAM (3)	---	ON	OFF	OFF	ON/OFF (4)
DOLBY PRO LOGIC	---	---	OFF	OFF	ON
CENTER MODE NORMAL	---	---	---	---	OFF
CENTER MODE WIDE	---	---	---	---	ON
TEST DOLBY	OFF	OFF	OFF	ON	ON
TEST DSP	OFF	OFF	OFF	OFF	ON/OFF
DIAG. No.2 (FRONT CHECK)	---	OFF	ON	OFF	ON

(\*) : PCS FUNCTION (1)  
 (2) : CONCERT HALL/CHURCH/JAZZ CLUB/ROCK CONCERT/STADIUM  
 (3) : SPORTS/TV THEATER/70mm MOVIE THEATER/ENHANCED  
 (4) : FRONT MIX OFF

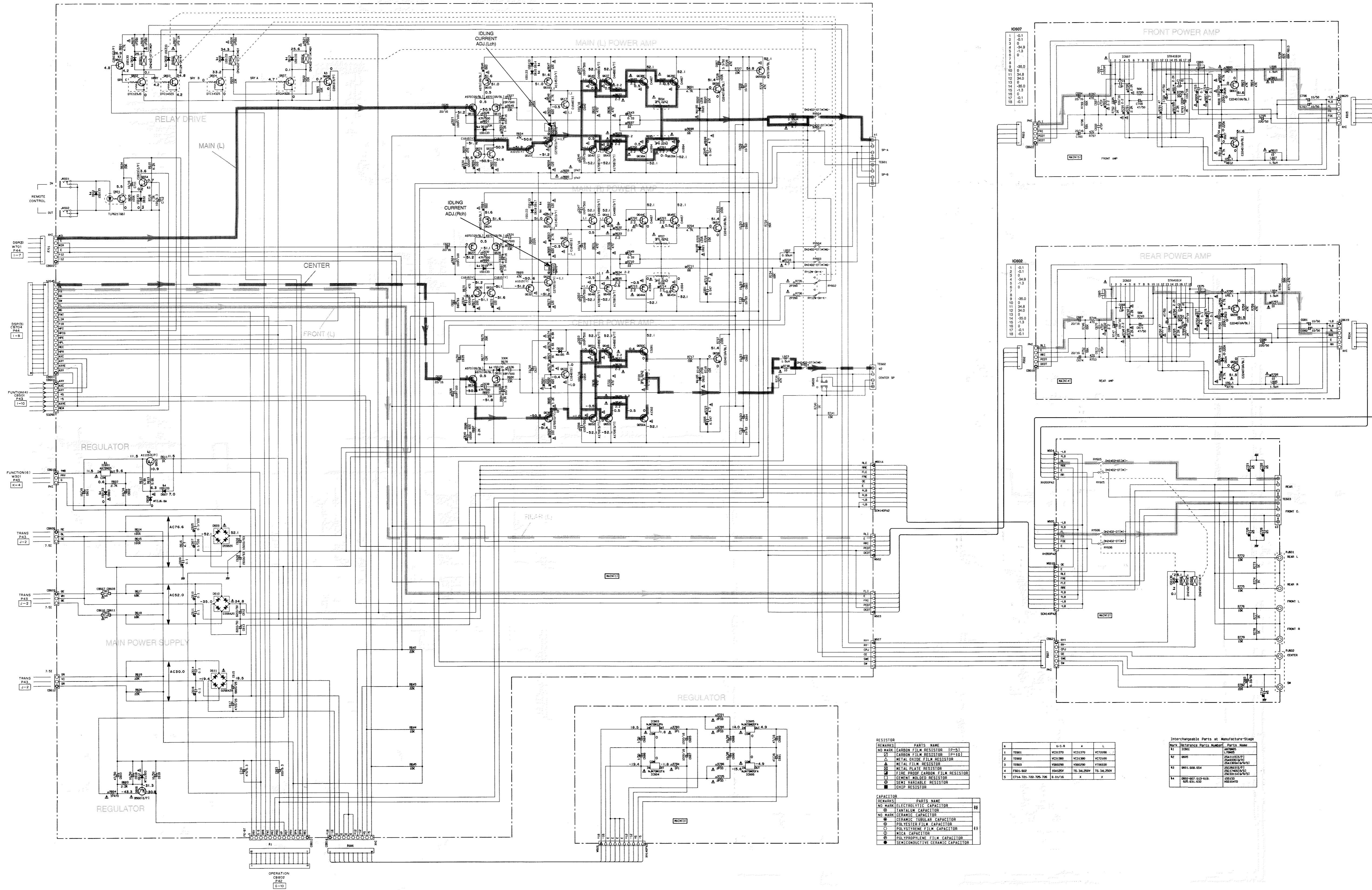


Interchangeable Parts at Manufacturer-Stage

No.	Reference Parts Number	Parts Name
1	ICP	ICP
2	ICR	ICR
3	ICR	ICR
4	ICR	ICR
5	ICR	ICR
6	ICR	ICR
7	ICR	ICR

All voltage are measured with a 10MΩ/DC electric volt meter.  
 Components having special characteristics are marked Δ and must be replaced with parts having specifications equal to those originally installed.  
 Schematic diagram is subject to change without notice.

■ SCHEMATIC DIAGRAM (MAIN)



**RESISTOR**

MARKING	PARTS NAME
NO MARK	CARBON FILM RESISTOR (P-S)
□	CARBON FILM RESISTOR (P-T)
○	METAL OXIDE FILM RESISTOR
△	METAL FILM RESISTOR
◇	METAL PLATE RESISTOR
■	FILM PROOF CARBON FILM RESISTOR
□	CEMENT WOUND RESISTOR
■	SEMI VARIABLE RESISTOR
■	CHIP RESISTOR

**CAPACITOR**

MARKING	PARTS NAME
NO MARK	ELECTROLYTIC CAPACITOR
□	TANTALUM CAPACITOR
NO MARK	CERAMIC CAPACITOR
○	CERAMIC JUBILAR CAPACITOR
○	POLYESTER FILM CAPACITOR
○	POLYSTYRENE FILM CAPACITOR
○	MYLAR CAPACITOR
○	POLYPROPYLENE FILM CAPACITOR
○	SEMICONDUCTIVE CERAMIC CAPACITOR

NO.	RESISTOR	U.C.B.	A	L
1	T801	VC3370	VC3370	VC7000
2	T802	VC3380	VC3380	VC7200
3	T803	V50200	V50200	V70500
4	F801-802	SM25H	TE-34L200V	TE-34L200V
5	C14, C21, C22, C23, C24, C25, C26, C27, C28, C29, C30, C31, C32, C33, C34, C35, C36, C37, C38, C39, C40, C41, C42, C43, C44, C45, C46, C47, C48, C49, C50, C51, C52, C53, C54, C55, C56, C57, C58, C59, C60, C61, C62, C63, C64, C65, C66, C67, C68, C69, C70, C71, C72, C73, C74, C75, C76, C77, C78, C79, C80, C81, C82, C83, C84, C85, C86, C87, C88, C89, C90, C91, C92, C93, C94, C95, C96, C97, C98, C99, C100	IS-04/4	□	□

Interchangeable Parts at Manufacture's Stage

NO.	RESISTOR	U.C.B.	A	L
1	T801	VC3370	VC3370	VC7000
2	T802	VC3380	VC3380	VC7200
3	T803	V50200	V50200	V70500
4	F801-802	SM25H	TE-34L200V	TE-34L200V
5	C14, C21, C22, C23, C24, C25, C26, C27, C28, C29, C30, C31, C32, C33, C34, C35, C36, C37, C38, C39, C40, C41, C42, C43, C44, C45, C46, C47, C48, C49, C50, C51, C52, C53, C54, C55, C56, C57, C58, C59, C60, C61, C62, C63, C64, C65, C66, C67, C68, C69, C70, C71, C72, C73, C74, C75, C76, C77, C78, C79, C80, C81, C82, C83, C84, C85, C86, C87, C88, C89, C90, C91, C92, C93, C94, C95, C96, C97, C98, C99, C100	IS-04/4	□	□

All voltage are measured with a 10MΩ/DC electric volt meter.  
 Components having special characteristics are marked Δ and must be replaced with parts having specifications equal to those originally installed.  
 Schematic diagram is subject to change without notice.