

AV RECEIVER RX-V496/RX-V496RDS HTR-5240/HTR-5240RDS SERVICE MANUAL

IMPORTANT NOTICE

This manual has been provided for the use of authorized YAMAHA Retailers and their service personnel. It has been assumed that basic service procedures inherent to the industry, and more specifically YAMAHA Products, are already known and understood by the users, and have therefore not been restated.

WARNING: Failure to follow appropriate service and safety procedures when servicing this product may result in personal injury, destruction of expensive components, and failure of the product to perform as specified. For these reasons, we advise all YAMAHA product owners that any service required should be performed by an authorized YAMAHA Retailer or the appointed service representative.

IMPORTANT: The presentation or sale of this manual to any individual of firm does not constitute authorization, certification or recognition of any applicable technical capabilities, or establish a principle-agent relationship of any form.

The data provided is believed to be accurate and applicable to the unit(s) indicated on the cover. The research, engineering, and service departments of YAMAHA are continually striving to improve YAMAHA products. Modifications are, therefore, inevitable and specifications are subject to change without notice or obligation to retrofit. Should any discrepancy appear to exist, please contact the distributor's Service Division.

WARNING: Static discharges can destroy expensive components. Discharge any static electricity your body may have accumulated by grounding yourself to the ground buss in the unit (heavy gauge black wires connect to this buss).

IMPORTANT: Turn the unit OFF during disassembly and part replacement. Recheck all work before you apply power to the unit.

■ CONTENTS

TO SERVICE PERSONNEL	1	AMP ADJUSTMENT	21
REMOTE CONTROL PANELS	1	TUNER ADJUSTMENT	22~25
FRONT PANELS	2	IC DATA	26~34
REAR PANELS	3~4	DISPLAY DATA	35
SPECIFICATIONS	5~6	BLOCK DIAGRAM	36~39
INTERNAL VIEW	7	PRINTED CIRCUIT BOARD	40~59
DISASSEMBLY PROCEDURES	7	SCHEMATIC DIAGRAM	60~67
SELF DIAGNOSIS FUNCTION	8~19	PARTS LIST	68~85
FACTORY PRESET	20	REMOTE CONTROL TRANSMITTER	86~87



このサービスマニュアルは、エコマーク認定の再生紙を使用しています。
This Service Manual uses recycled paper.



TO SERVICE PERSONNEL

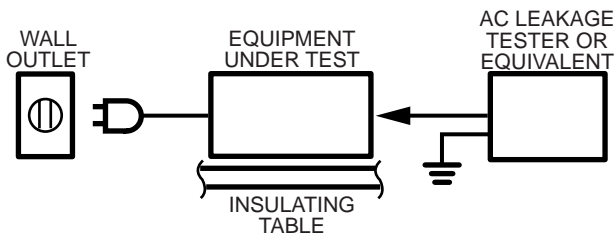
1. Critical Components information

Components having special characteristics are marked \triangle and must be replaced with parts having specifications equal to those originally installed.

2. Leakage Current Measurement (For 120V Model only)

When service has been completed, it is imperative that you verify that all exposed conductive surfaces are properly insulated from supply circuits.

- Meter impedance should be equivalent to 1500 ohm shunted by 0.15 μ F.
- Leakage current must not exceed 0.5mA.
- Be sure to test for leakage with the AC plug in both polarities.



"CAUTION"

"F804: FOR CONTINUED PROTECTION AGAINST RISK OF FIRE, REPLACE ONLY WITH SAME TYPE 6.0A, 125V FUSE."



ATTENTION

F804: UTILISER UN FUSIBLE DE RECHANGE DE MEME TYPE DE 6.0A, 125V FUSE

WARNING: CHEMICAL CONTENT NOTICE!

The solder used in the production of this product contains LEAD. In addition, other electrical/electronic and/or plastic (where applicable) components may also contain traces of chemicals found by the California Health and Welfare Agency (and possibly other entities) to cause cancer and/or birth defects or other reproductive harm.

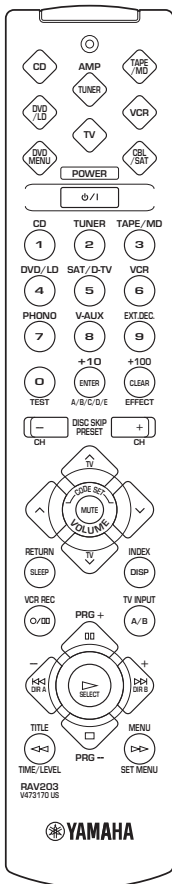
DO NOT PLACE SOLDER, ELECTRICAL/ELECTRONIC OR PLASTIC COMPONENTS IN YOUR MOUTH FOR ANY REASON WHATSOEVER!

Avoid prolonged, unprotected contact between solder and your skin! When soldering, do not inhale solder fumes or expose eyes to solder/flux vapor!

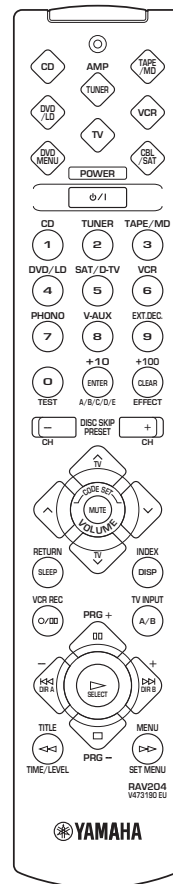
If you come in contact with solder or components located inside the enclosure of this product, wash your hands before handling food.

REMOTE CONTROL PANELS

▼ U,C,R,T,A and L models

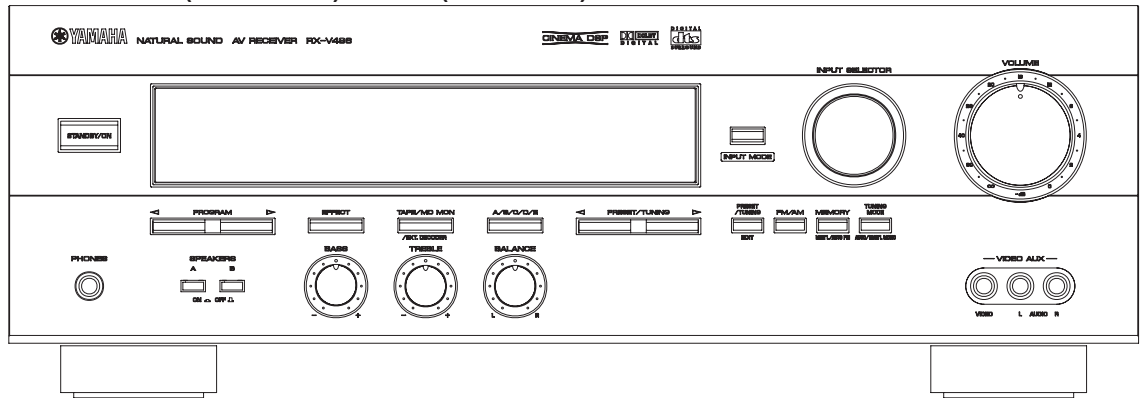


▼ B and G models

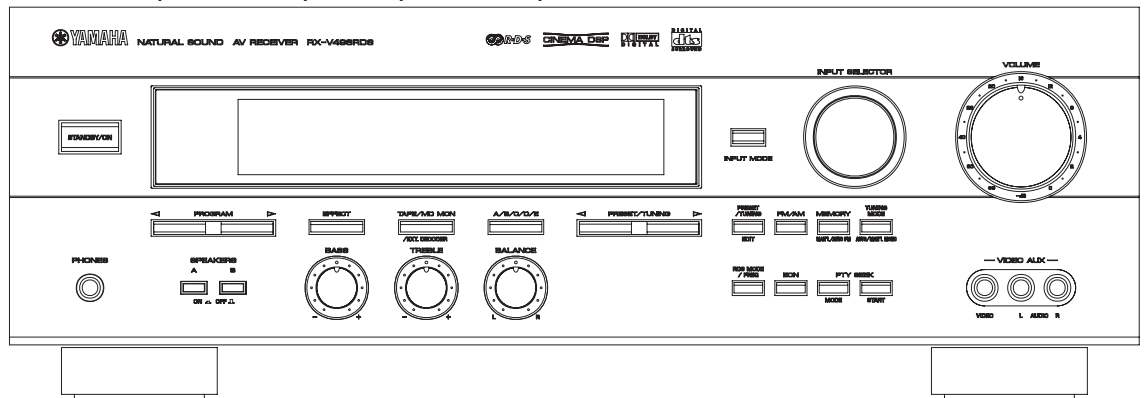


FRONT PANELS

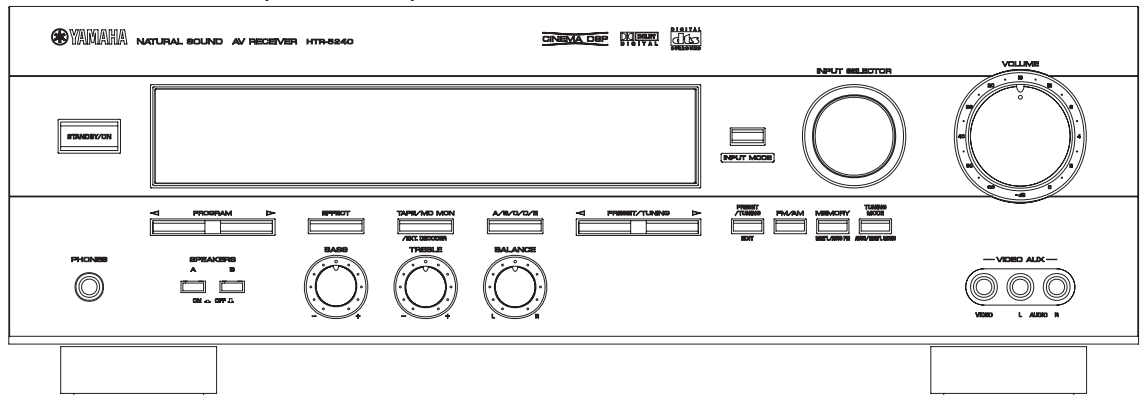
- ▼ RX-V496 • U, C, A and L models → BL (Black model)
- R and T models → BL (Black model) and GD (Gold model)



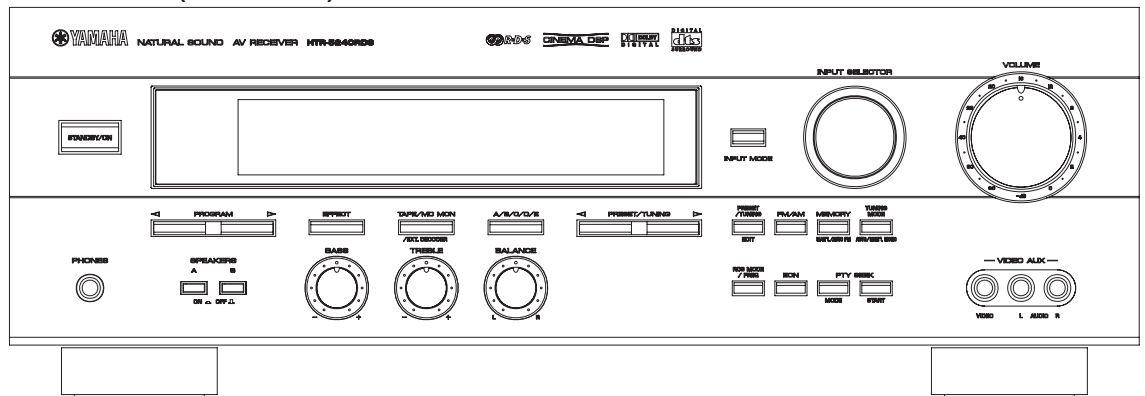
- ▼ RX-V496RDS • B model → BL (Black model)
- G model → BL (Black model) and TI (Titan model)



- ▼ HTR-5240 • U, C, T and A models → BL (Black model)

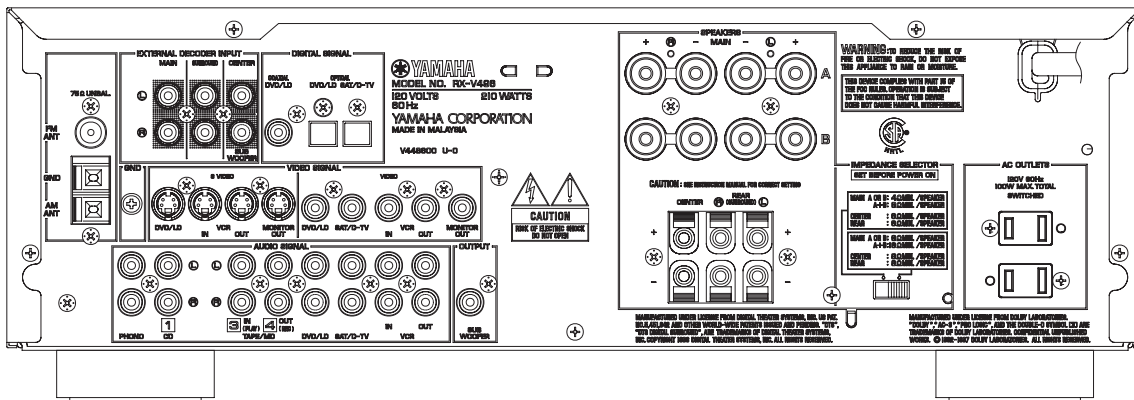


- ▼ HTR-5240RDS • G model → BL (Black model)

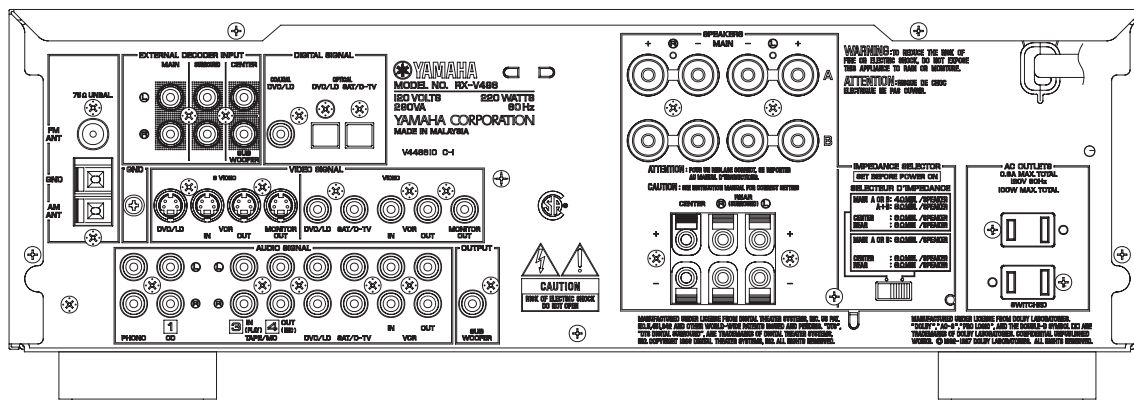


REAR PANELS

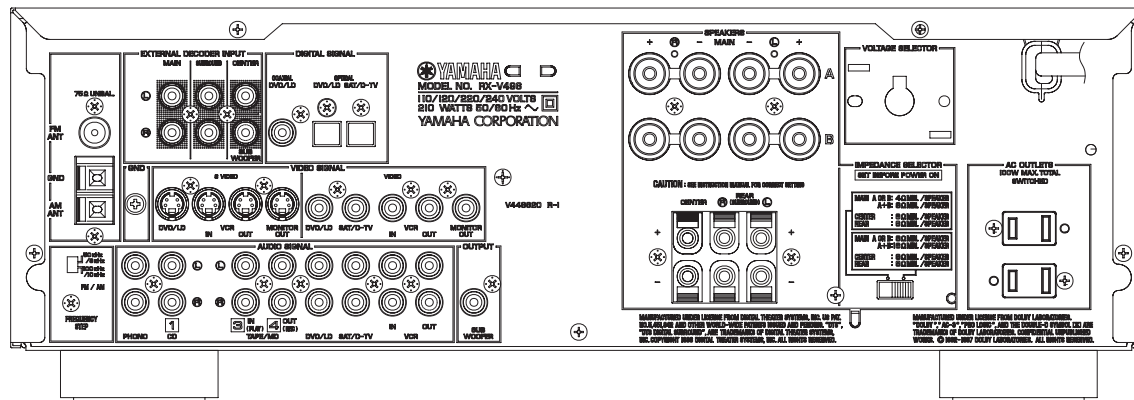
▼ RX-V496/HTR-5240 U model



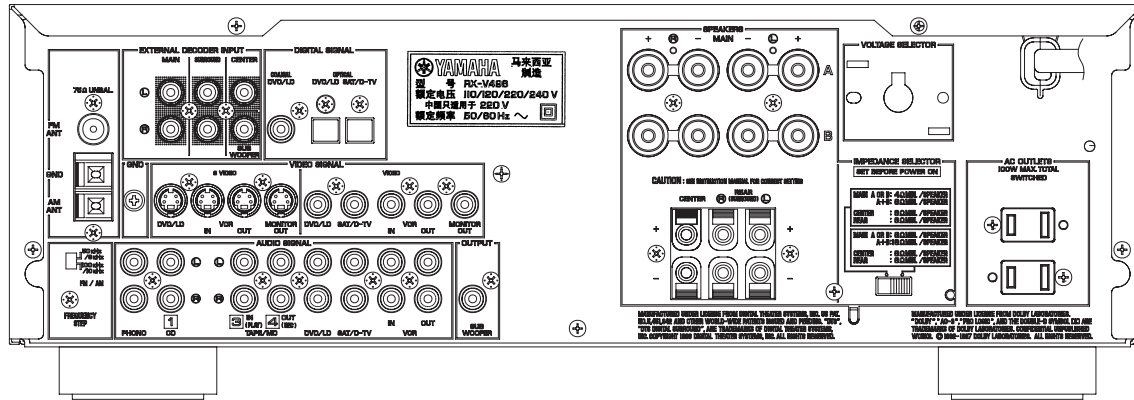
▼ RX-V496/HTR-5240 C model



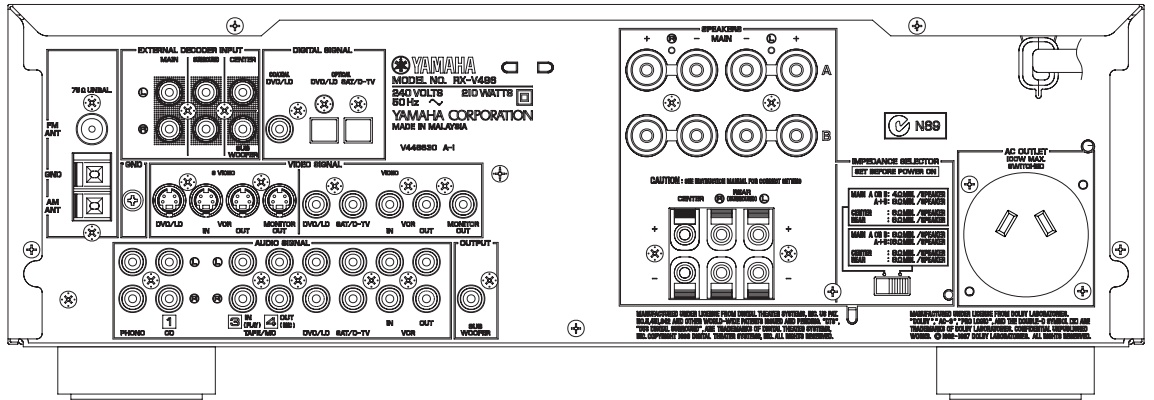
▼ RX-V496 R model



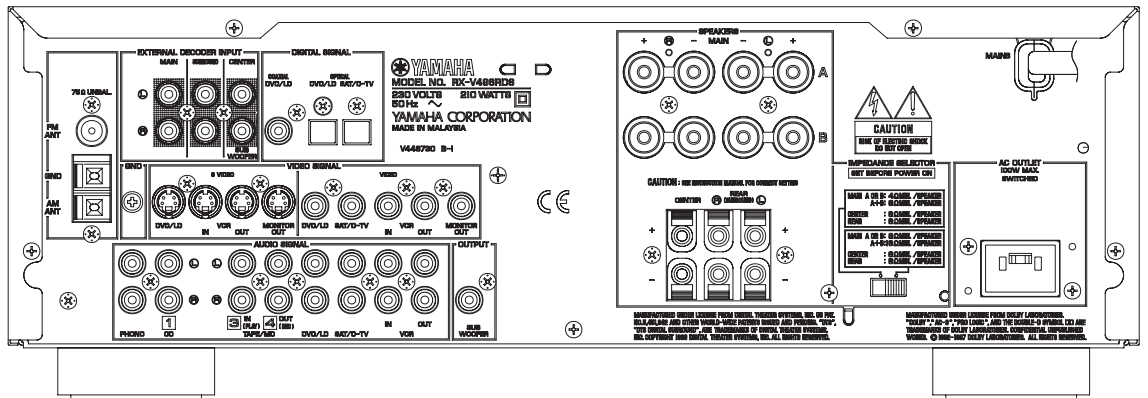
▼ RX-V496/HTR-5240 T model



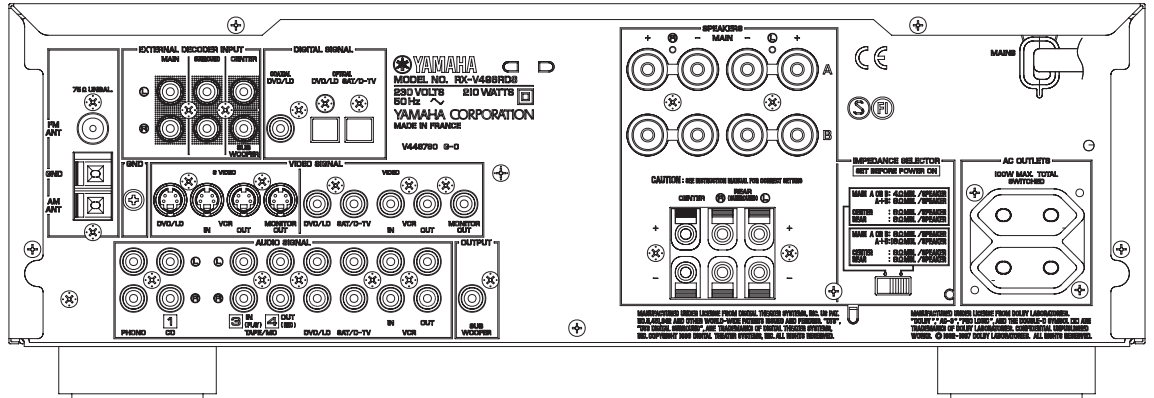
▼ RX-V496/HTR-5240 A model



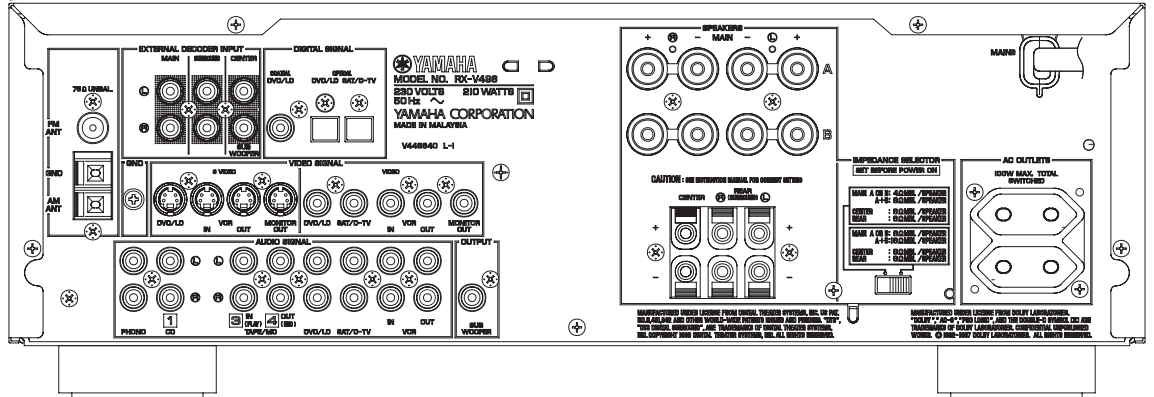
▼ RX-V496RDS B model



▼ RX-V496RDS/HTR-5240RDS G model



▼ RX-V496 L model



■ SPECIFICATIONS

■ AUDIO SECTION

Minimum RMS Output Power Per Channel (Power Amp. Section)

U, C models	
MAIN L/R, REAR L/R	
20Hz to 20kHz, 0.06% THD, 8Ω	70W+70W
1kHz, 0.09% THD, 8Ω	80W+80W
CENTER	
20Hz to 20kHz, 0.06% THD, 8Ω	70W
1kHz, 0.09% THD, 8Ω	80W
R,T,A,B,G,L models	
MAIN L/R, REAR L/R	
20Hz to 20kHz, 0.06% THD, 8Ω	65W+65W
1kHz, 0.09% THD, 8Ω	70W+70W
CENTER	
20Hz to 20kHz, 0.06% THD, 8Ω	65W
1kHz, 0.09% THD, 8Ω	70W

Maximum Power (EIAJ)

R, T models only	
MAIN L/R, REAR L/R	
1kHz, 10% THD, 8Ω	100W+100W
CENTER, 1kHz, 10% THD, 8Ω	100W

Dynamic Power Per Channel (IHF)

MAIN L/R	
U, C models	
8/6/4/2Ω	
100W+100W/120W+120W/140W+140W/160W+160W	
R,T models	
8/6/4/2Ω	
90W+90W/110W+110W/130W+130W/150W+150W	

DIN Standard Output Power Per Channel

G model only	
MAIN L/R, 1kHz, 0.7% THD, 4Ω	100W+100W

Dynamic Headroom(8Ω)

U, C models only	1.55dB
------------------	--------

IEC Power

G model only	
MAIN L/R, 1kHz, 0.06% THD, 8Ω	70W+70W

Damping Factor (SPEAKER A)

MAIN L/R, 20Hz to 20kHz, 8Ω	60
-----------------------------	----

Input Sensitivity/Input Impedance

PHONO (MM)	2.5mV/47kΩ
CD etc.	150mV/47kΩ
MAIN L/R (EXTERNAL DECODER)	150mV/47kΩ
CENTER	150mV/40kΩ
SURROUND L/R	150mV/40kΩ
SUB WOOFER	150mV/40kΩ

Maximum Input Signal Level (1kHz)

PHONO (MM), 0.1% THD	100mV
CD etc. (EFFECT ON), 0.5% THD	2.2V

Output Level/Output Impedance

REC OUT	150mV/1.2kΩ
SUB WOOFER (MAIN SP : SMALL)	4V/1.2kΩ

Headphone Jack Rated Output/Impedance

CD etc., Input=1kHz, 150mV, RL=8Ω	0.47V/390Ω
-----------------------------------	------------

Frequency Response(20Hz to 20kHz)

CD etc., MAIN	0±0.5dB
---------------	---------

RIAA Equalization Deviation

PHONO (MM)	0±0.5dB
------------	---------

Total Harmonic Distortion(20Hz to 20kHz)

PHONO (MM) to REC OUT (1V)	0.02%
CD etc.(EFFECT OFF) to MAIN SP OUT(35W/8Ω)	0.025%

Signal-to-Noise Ratio(IHF-A Network)

PHONO (MM), Input shorted, REC OUT	
U, C, R, T models	86dB
A, B, G, L models	81dB
CD etc.(EFFECT OFF), Input shorted, SP OUT	
	96dB

Residual Noise(IHF-A Network)

MAIN L/R, SP OUT	150μV
------------------	-------

Channel Separation(Vol. -30dB, EFFECT OFF)

PHONO, Input shorted, 1kHz/10kHz	60dB/55dB
CD etc, Input 5.1kΩ terminated, 1kHz/10kHz	60dB/45dB

Tone Control Characteristics

BASS : Boost/Cut	±10dB(50Hz)
: Turnover Frequency	350Hz
TREBLE : Boost/Cut	±10dB(20kHz)
: Turnover Frequency	3.5kHz

Filter Characteristics

MAIN, CENTER, REAR SP SMALL : H.P.F.	
	fc=90Hz, 12dB/oct.
SUB WOOFER : L.P.F.	
	fc=90Hz, 18dB/oct.

■ FM SECTION

Tuning Range

U, C models	87.5 to 107.9MHz
R, T models (Frequency Step: 100kHz)	87.5 to 108.0MHz
(Frequency Step: 50kHz)	87.50 to 108.00MHz

A, B, G, L models	87.50 to 108.00MHz
-------------------	--------------------

50dB Quieting Sensitivity (IHF)

U, C, R, T models only	
Mono, 1kHz, 100% mod	1.6μV(15.3dBf)
Stereo, 1kHz, 100% mod	23μV(38.5dBf)

Usable Sensitivity (DIN)

A, B, G, L models only	
DIN, Mono(S/N 26dB)	0.9μV
DIN, Stereo(S/N 46dB)	28μV

Alternate Channel Selectivity

U, C, R, T models (±400kHz)	75dB
A, B, G, L models (±300kHz)	
Selectivity(two signals, 40kHz Dev.)	55dB

Signal-to-Noise Ratio

U, C, R, T models (IHF)	
Mono/Stereo	81dB/75dB
A, B, G, L models (DIN-Weighted, 40kHz Dev.)	
Mono/Stereo	75dB/69dB

Harmonic Distortion (1kHz)

Mono/Stereo	0.1%/0.2%
-------------	-----------

Stereo Separation (1kHz)

	48dB
--	------

Frequency Response (20Hz to 15kHz)

	0±1dB
--	-------

Output Level (1kHz)

U, C, R, T models (100% mod.)	550mV
A, B, G, L models (40kHz Dev.)	550mV

Antenna Input

	75Ω unbalanced
--	----------------

■AM SECTION

Tuning Range	
U, C models	530 to 1710kHz
R, T models (Frequency Step : 10kHz)	530 to 1710kHz
(Frequency Step : 9kHz)	531 to 1611kHz
A, B, G, L models	531 to 1611kHz
Usable Sensitivity 300μV/m	
Signal-to-Noise Ratio 52dB	
Output Level (1kHz, 30% mod.) 150mV	
Antenna Loop antenna	

■VIDEO SECTION

Video Signal Type	
U, C models	NTSC
R model	NTSC/PAL
T, A, B, G, L models	PAL
Video Signal Level 1Vp-p/75Ω	
S-Video Signal Level Y:1Vp-p/75Ω,C:0.286Vp-p/75Ω	
Maximum Input Level 1.5Vp-p	
Signal-to-Noise Ratio 50dB	
Monitor Output Frequency Response (-3dB) 5Hz~10MHz	

■GENERAL

Power Supply	
U, C models	AC120V, 60Hz
R model	AC110/120/220/240V, 50/60Hz
T model	AC220V, 50Hz
A model	AC240V, 50Hz
B, G, L models	AC230V, 50Hz

Power Consumption	
U, R, T, A, B, G, L models	210W
C model	220W/290VA

Standby Power Consumption	
U, C, models	0.90W
A, B, G, L models	0.96W

Maximum Power Consumption	
R model only	
5CH Simultaneous output, 10% THD	500W

AC Outlet	
U, C, R, T, G, L models, Switched x 2	100W max(Total)
A, B models, Switched x 1	100W max

Dimensions (W x H x D)	
	435 x 151 x 390.5mm (17-1/8" x 5-15/16" x 15-3/8")

Weight	10kg(23lbs.)
---------------	--------------

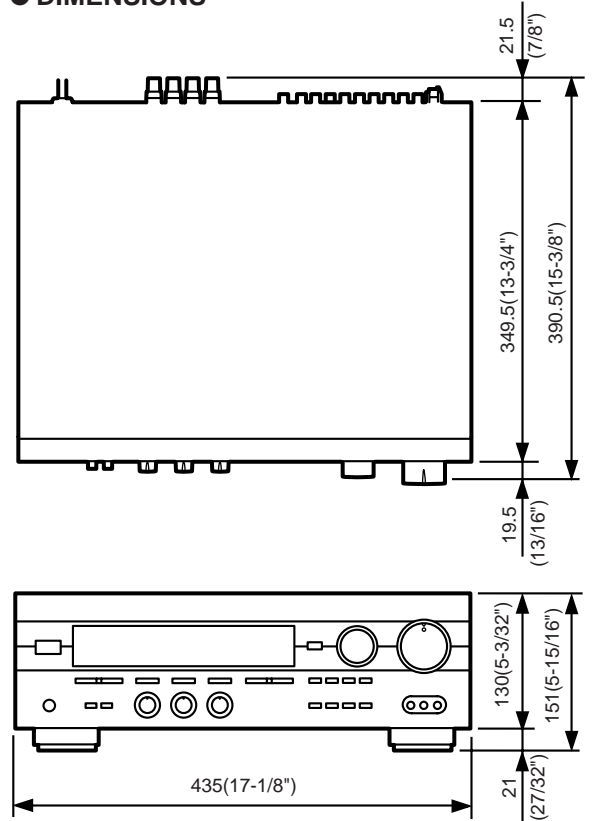
Accessories	
	Remote Control Transmitter x 1
	Indoor FM antenna x 1
	AM loop antenna x 1
	Battery (size "AAA", "R03") x 4

* Specifications subject to change without notice.

- U U. S. A. model A Australian model
- C Canadian model B British model
- R General model G European model
- T China model L Singapore model

- BL.....Black model GD.....Gold model
- TI.....Titan model

● DIMENSIONS

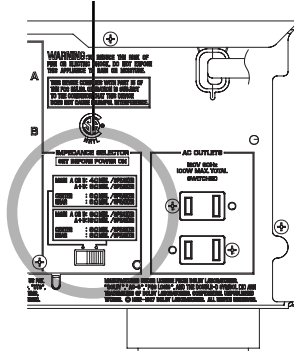


Units: mm (inch)


WARNING

Do not change the **IMPEDANCE SELECTOR** switch setting while the power to this unit is on, otherwise this unit may be damaged.

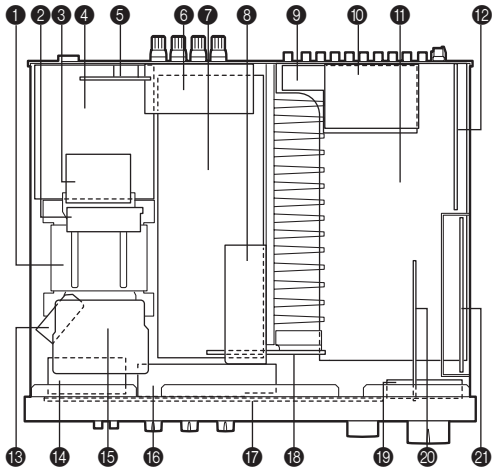
IMPEDANCE SELECTOR



Manufactured under license from Digital Theater Systems, Inc. US Pat. No. 5,451,942 and other worldwide patents issued and pending. "DTS", "DTS Digital Surround", are trademarks of Digital Theater Systems, Inc. Copyright 1996 Digital Theater Systems, inc. All rights reserved.

Manufactured under license from Dolby Laboratories. "DOLBY", "AC-3", "PRO LOGIC", and the double-D symbol  are trademarks of Dolby Laboratories. Confidential unpublished works. ©1992-1997 Dolby Laboratories. All rights reserved.

INTERNAL VIEW



- | | |
|------------------------|------------------------|
| ① POWER TRANSFORMER | ⑪ P.C.B. INPUT (1) |
| ② P.C.B. MAIN (6) | ⑫ P.C.B. TUNER |
| ③ P.C.B. MAIN (5) | ⑬ P.C.B. OPERATION (7) |
| ④ P.C.B. MAIN (2) | ⑭ P.C.B. MAIN (4) |
| ⑤ P.C.B. MAIN (7) | ⑮ P.C.B. INPUT (2) |
| (R, T models only) | ⑯ P.C.B. OPERATION (2) |
| ⑥ P.C.B. MAIN (3) | ⑰ P.C.B. OPERATION (1) |
| ⑦ P.C.B. MAIN (1) | ⑱ P.C.B. OPERATION (4) |
| ⑧ P.C.B. OPERATION (5) | ⑲ P.C.B. OPERATION (3) |
| ⑨ P.C.B. OPERATION (6) | ⑳ P.C.B. INPUT (4) |
| ⑩ P.C.B. INPUT (3) | ㉑ P.C.B. DSP |

DISASSEMBLY PROCEDURES

(Remove parts in disassembly order as numbered.)

1. Removal of Top Cover

Remove 4 screws (①) and 4 screws (②) in Fig. 1.

2. Removal of Front Panel

- Remove 5 knobs.
- Remove 6 screws (③) in Fig. 1.

3. Before Checking and Parts Replacement of Main Amplifier [P.C.B. MAIN (1)]

- Remove 2 screws (④) fixing the Main Speaker terminal in Fig. 2.
- Take out the P.C.B. MAIN (3) to Left side in Fig. 4.
- Remove 3 screws (⑤) fixing the Center/Rear Speaker terminal and the Heat Sink in Fig. 2.
- Remove the Binding Tie fixing P.C.B. MAIN (1)'s wiring in Fig. 3.

Note) When the assembling, P.C.B. MAIN (1)'s wiring regardfully for ungenerated noise induction.

- Remove 2 screws (⑥) fixing the Main Unit in Fig. 3.
 - While pull out the Main Unit to the Front Panel side, place the Main Unit on its side as shown in Fig. 4.
 - Connect to ground by shorting between G201 on P.C.B. MAIN (1) and the chassis.
- Note)** When unconnected to ground, the protection function is active.
- Insert the insulator seet (Cloth, Paper or equivalent) so that unshorted the between bottom side of P.C.B. MAIN (1) and the chassis.
 - Insert the insulator seet (Cloth, Paper or equivalent) so that unshorted the between back side of Front Panel and the Heat Sink.
 - Using a string, fix the between screw-hole of the Heat Sink and screw-hole of the Front Panel in Fig. 4.

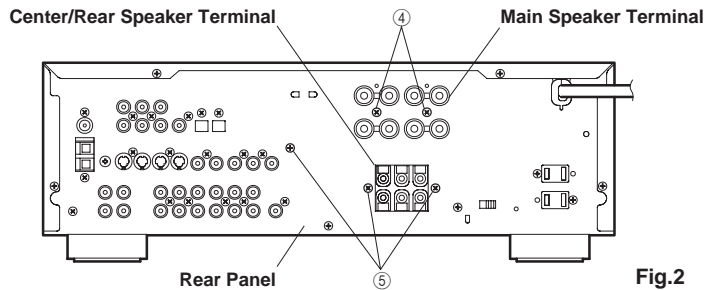


Fig.2

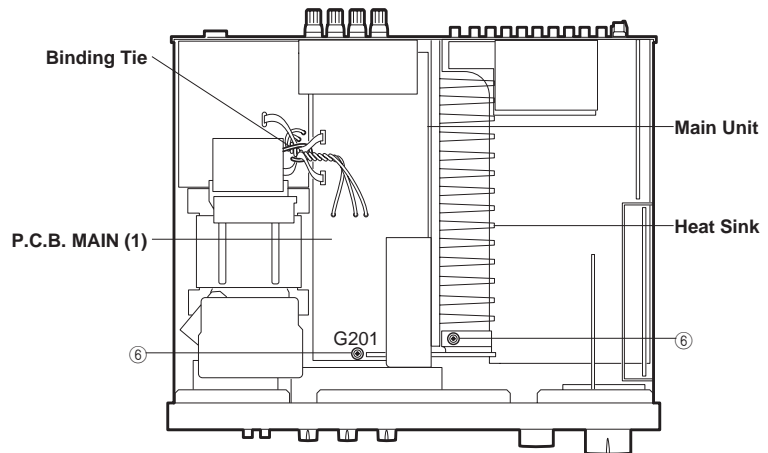


Fig.3

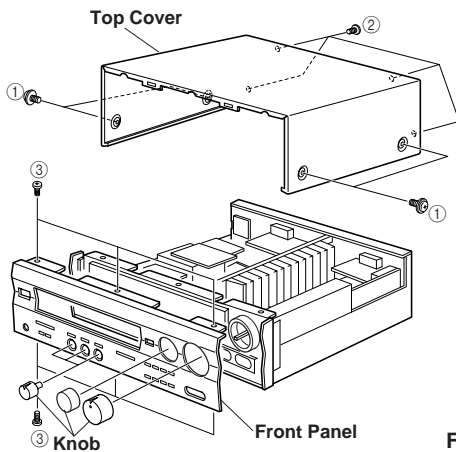


Fig.1

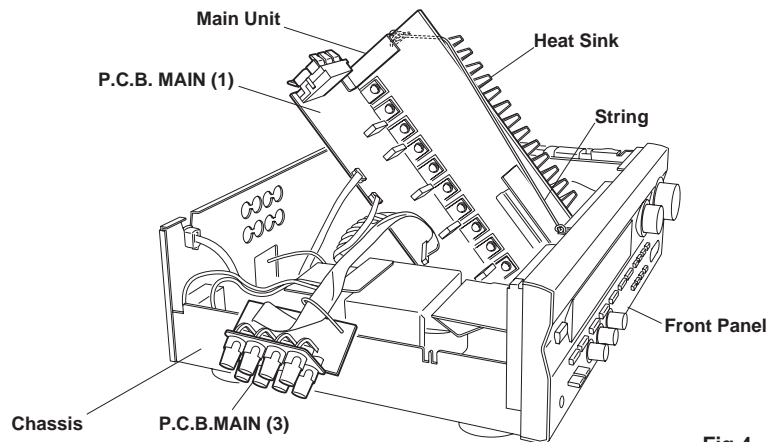


Fig.4

■ SELF DIAGNOSIS FUNCTION

1. PURPOSE AND OPERATION

The RX-V496/RX-V496RDS/HTR-5240/HTR 5240RDS has a Self Diagnosis Function to locate a faulty part, if any, by inspecting and taking measurements.

There are 12 main items in the diagnostic menu and sub-menu items as listed below.

No.	MAIN MENU	SUB-MENU	REMOTE CONTROL CODE (KEY)
1	ANALOG THROUGH	1. MAIN BYPASS 2. DSP 0dB	7A-88 ("1" [DSP mode]) ----
2	DSP THROUGH	1. YSS+SRAM M 2. YSS M 3. DSP FULL BIT	7A-89 ("2" [DSP mode]) ---- ----
3	AC-3/DTS THROUGH	1. STATUS (BINARY FORM)	----
4	PRO LOGIC	1. CENTER LARGE 2. EFFECT OFF	7A-8A ("3" [DSP mode]) ----
5	SPEAKERS SET	1. MAIN : SMALL 0dB 2. MAIN : LARGE 0dB 3. MAIN : LARGE -10dB 4. LFE/BASS : MAIN CENTER : NONE 5. LFE/BASS : MAIN 6. LFE/BASS : SUBWOOFER 7. CENTER : NONE 8. CENTER : SMALL REAR : SMALL 9. FRONT MIX	7A-8B ("4" [DSP mode]) 7A-8C ("5" [DSP mode]) 7A-8D ("6" [DSP mode]) 7A-8E ("7" [DSP mode]) 7A-8F ("8" [DSP mode]) 7A-90 ("9" [DSP mode]) 7A-91 ("0" [DSP mode]) ---- ----
6	DISPLAY CHECK (EFFECT OFF)	1. (EFFECT OFF) 2. ALL SEGMENTS TURN OFF 3. ALL SEGMENTS TURN ON 4. ALTERNATE SEGMENTS TURN ON 5. SOFTWARE RELEASE DATE	---- ---- ---- ---- ----
7	MANUAL TEST	1. ALL 2. MAIN L 3. CENTER 4. MAIN R 5. REAR R 6. REAR L 7. LFE	---- ---- ---- ---- ---- ---- ----
8	FACTORY PRESET	1. INHIBIT (Inhibit Memory Initialize) 2. RESERVED (Reserve Memory Initialize)	---- ----
9	AD DATA CHECK	1. ---- 2. KEY1, KEY2 3. TUNER SIGNAL LEVEL 4. DC PROTECTION 5. PS PROTECTION	---- ---- ---- ---- ----
10	STATUS INFORMATION FROM DSP	1./2. DSP STATUS (1)/(2) 3./4. CHANNEL STATUS (1)/(2) 5./6. BSI0 (1)/(2) 7./8. BSI1 (1)/(2) 9./10. BSI2 (1)/(2) 11./12. BSI3 (1)/(2) 13./14. BSI4 (1)/(2) 15./16. BSI5 (1)/(2)	---- ---- ---- ---- ---- ---- ---- ----
11	EEPROM WRITING FUNCTION	1. CHECK SUM MODIFICATION DATA EEPROM DATA 2. WRITING CONFIRMATION 3. START WRITING	---- ---- ----
12	CHECK SUM/ VERSION/ PORT SETTING/EXIT	1. CHECK SUM 2. VERSION 3. PORT SETTING 4. EXIT	---- ---- ---- ----

2. BEGINNING AND CANCELLATION

(1) Starting up the function and the display

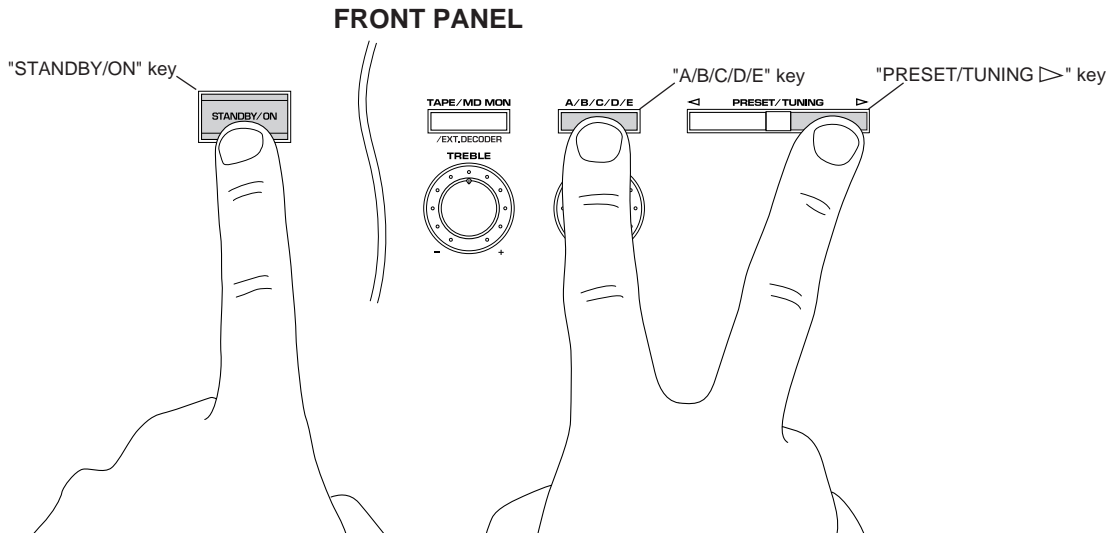
After starting up, main menu No.1 is selected.

A. How to start diagnostic program

Using the front panel keys of the main unit

Plug in the AC power cord. With the Power OFF, hold down the "PRESET/TUNING \triangleright " and "A/B/C/D/E" keys simultaneously (Step 1), then press the "STANDBY/ON" key (Step 2).

Sub menu No. 1 of the diagnosis main menu No. 1 will start.



Step2. Press the "STANDBY/ON" key.

Step1. Hold down the "PRESET/TUNING \triangleright " and "A/B/C/D/E" key simultaneously.

B. Settings for start-up of diagnostic program

The settings used when starting the diagnostic program are as follows.

1. EFFECT LEVEL :

CHANNEL	CENTER	R SUR	L SUR	SWFR
LEVEL (dB)	0	0	0	0

- 2. MUTING : OFF
- 3. INPUT (VIDEO) : DVD/LD (DVD/LD)
- 4. CENTER SPEAKER : LARGE
- 5. REAR SPEAKER : LARGE
- 6. MAIN SPEAKER : LARGE
- 7. LFE/BASS OUT : SWFR

C. Start-up display

The protection history information appears on the front panel display.

● FL display at start-up of diagnostic program

When the diagnostic program has started, the check sum of the main microcomputer or the protection history (*1) is displayed. If the protection function has been activated in the past, the type and voltage value are displayed. After a few seconds the diagnosis function menu will appear.

(*1) If a faulty condition is detected such as excessive current, a bad power supply or excessive amplifier DC offset, the Power will be switched OFF automatically.

Note) For the voltages of the power and DC protection functions, see the diagnosis main menu No. 9, which will be described later. The protection history will be cleared when "RESERVED" is selected in the diagnosis main menu No. 8 and FACTORY PRESET is engaged.

● Protection history

The following examples show how the protection history is displayed:

CHK SUM : XXXX X

Appears when the protection function has not been activated. Displayed the check sum (4-digit, hexadecimal) and the version (one letter) of the main microcomputer.

I PROTECTION

Appears when the current protection function has been activated. When power is turned on in an abnormal condition, the power relay will come on, protection will operate immediately, and power will turn off.

PS PRT : XX%

Appears when the power supply protection function has been activated. For the % value, the voltage at that point is shown by 5V/100%. When power is turned on in an abnormal condition, power will turn off after half a second.

DC PRT : XX%

Appears when the power amp DC protection function has been activated. For the % value, the voltage at that point is shown by 5V/100%. When power is turned on in an abnormal condition, power will turn off after two seconds.

(2) Exiting method

The diagnosis function can be exited by any of the following procedures. Take care with the setting of backup memory initialization menu (diagnosis No. 8) when releasing the diagnosis function.

1. Select sub-menu No. 4 "EXIT" of the diagnosis main menu No. 12.
2. Press the "STANDBY/ON" key on the main unit or "STANDBY" key on the remote control to turn Power OFF.

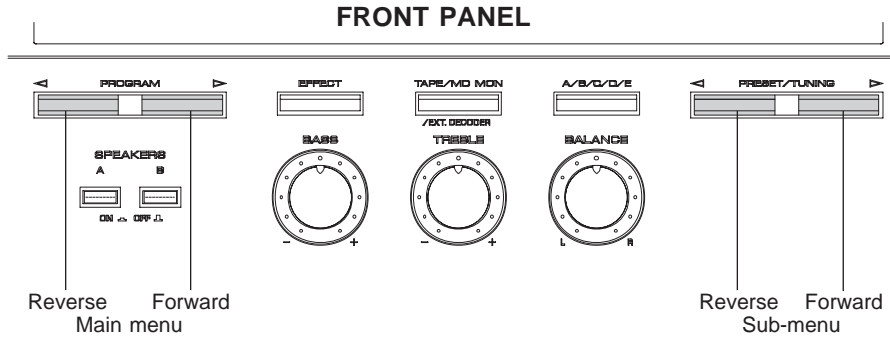
3. OPERATION AND DISPLAY WHEN STARTING DIAGNOSIS FUNCTION

(1) Selection of diagnostic menu

The diagnostic menu and the sub-menu can be selected by using the front panel keys of the main unit or the remote control unit.

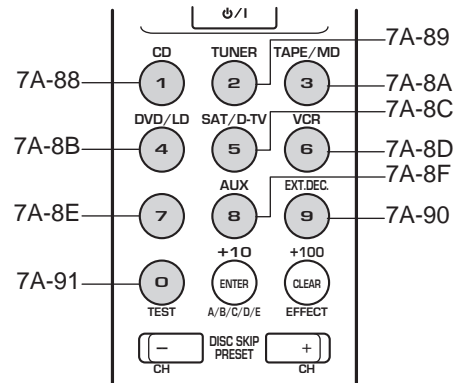
● Selection by using the front panel keys of the main unit

The main menu can be changed cyclically by using the "PROGRAM </>" keys, and the sub-menu, by using the "PRESET/TUNING </>" keys. The ">" key will increase the main or sub-menu number.



● Selection by using the remote control unit

The remote control codes in the menu list (see right column on page 8) correspond to the DSP program, test and effect keys. See the figure on the right.



(2) Other functions available while diagnosis function is active

Listed below are the other functions available while the diagnosis function is active.

- Selection of the input (include TAPE MONITOR/EXTERNAL DECODER)
- Effect level control (CENTER, REAR, SUBWOOFER)
- Master volume control
- Muting on/off
- Power on/off

(3) Diagnosis default status

When not otherwise specified, default settings and values in each menu are as follows:

- SPEAKERS : All "LARGE"
- Electronic Volumes : All "0dB"
- DYNAMIC RANGE : MAX
- LFE LEVEL : 0dB (-10dB in AC-3(DOLBY DIGITAL))
- CENTER DELAY : 0ms

4. CONTENTS OF DIAGNOSIS FUNCTION

This section describes the contents of the Self Diagnosis Function in detail.

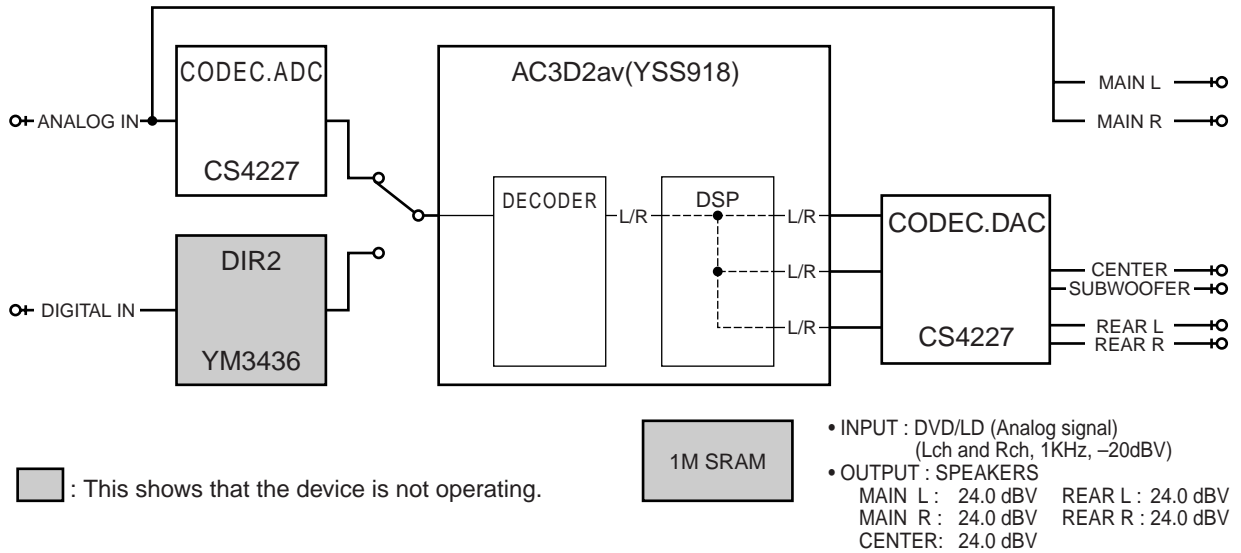
No.1 ANALOG THROUGH

The input is fixed to analog (A/D). There are two sub-menus.

1. MAIN BYPASS **1 MAIN BYPASS**

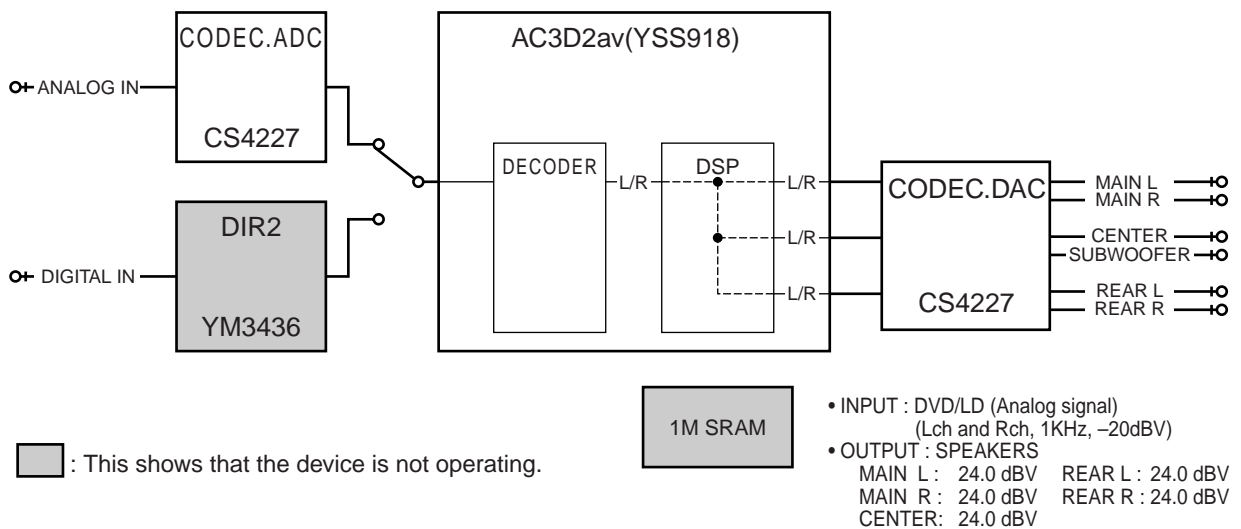
The L/R signals bypass the digital circuit, and are output to the MAIN L/R.

The L/R signals are output without being processed to the CENTER/SUBWOOFER and REAR L/R through the DSP. (Remote control code 7A-88: "1" key [DSP mode])



2. DSP 0dB **1 DSP 0dB**

The L/R signals are output without being processed to the MAIN L/R, CENTER/SUBWOOFER and REAR L/R through the DSP.

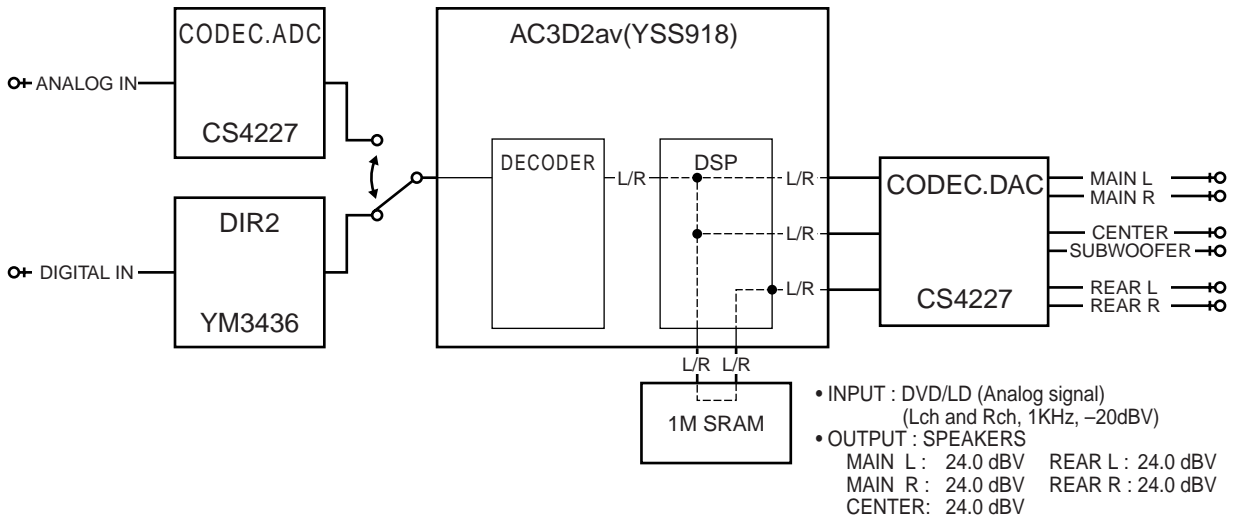


No.2 DSP THROUGH

The input is automatically discriminated by signal detection and switched with priorities Coaxial>Optical>Analog.
There are the following three sub-menus.

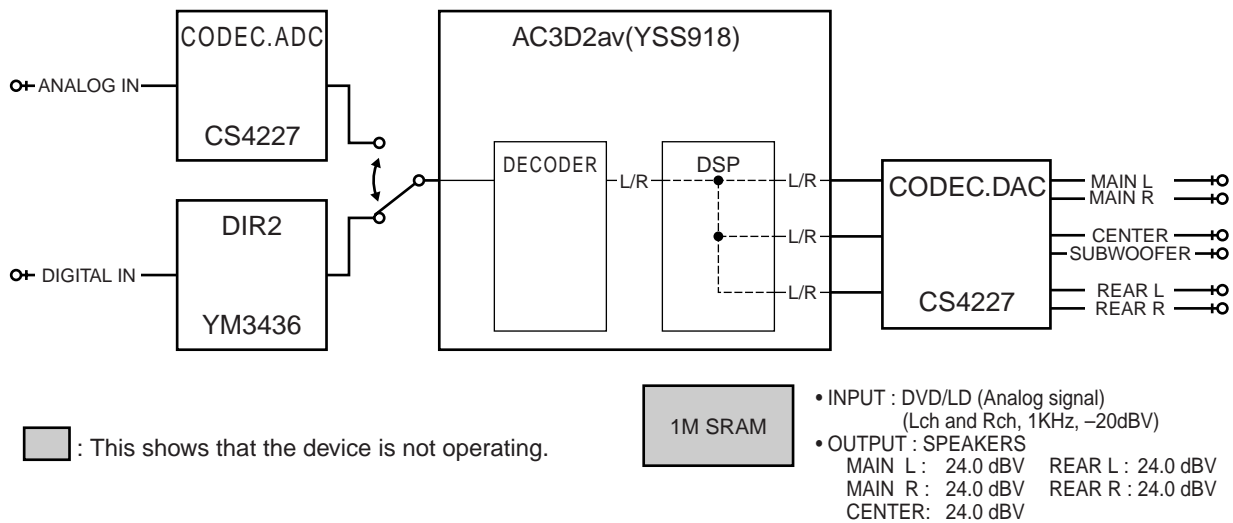
1. YSS+SRAM 2 YSS+SRAM M

The L/R signals are output without being processed to the MAIN L/R, CENTER/SUBWOOFER through the DSP.
The L/R signals are output without being processed to the REAR L/R through the DSP and the SRAM.
(Remote control code 7A-89:"2" key [DSP mode])



2. YSS M 2 YSS M

Same as "2. DSP 0dB" of "No.1 ANALOG THROUGH", except for the input switching.



3. DSP FULL BIT 2 DSP FULL BIT

Same as the above menu, except that the head margin is disabled, and the digital data is output with full bits from AC3D2av to DAC.

- INPUT : DVD/LD (Analog signal)
(Lch and Rch, 1KHz, -30dBV)
- OUTPUT : SPEAKERS
MAIN L : 14.0 dBV REAR L : 23.3 dBV
MAIN R : 14.0 dBV REAR R : 23.3 dBV
CENTER: 17.2 dBV

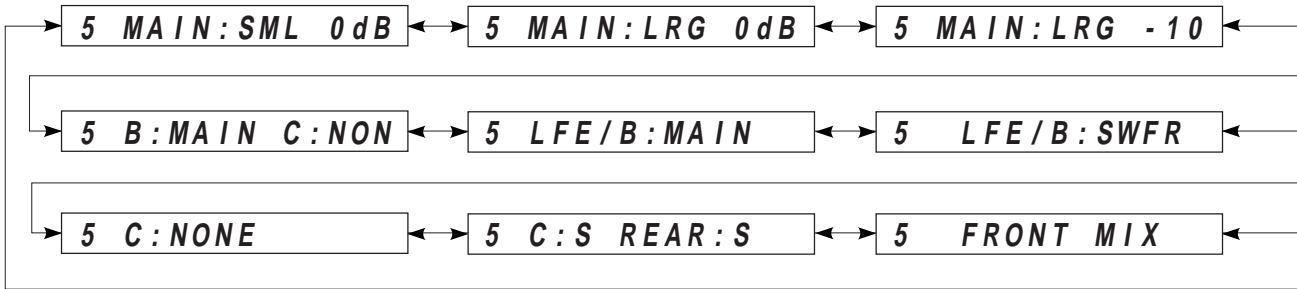
No.5 SPEAKERS SET

The input is automatically discriminated by signal detection and switched with priorities Coaxial>Optical>Analog. The L/R signals are output to channels specified by the sub-menu without being processed.

There are the following nine sub-menus items. Signal routes of the sub-menu 1-4 are the same as EFFECT OFF. But MAIN L/R are signals through the digital circuit.

Signal routes of the sub-menu 5-9 are the same as "2. YSS M" of "No. 2 DSP THROUGH".

However, only MAIN L/R are output in the sub-menu 1-4.



The analog switches in each sub-menu are set as follows:

	SUB MENU	REMOTE CONTROL CODE	SETTING					OUTPUT					
			CENTER SP	REAR SP	MAIN SP	MAIN LEVEL	LFE/BASS	MAIN L	MAIN R	CENTER	REAR L	REAR R	SUB WOOFER
1	MAIN:SML 0DB	7A-8B	LARGE	LARGE	SMALL	0dB	SWFR	L	R	NONE	NONE	NONE	L+R
2	MAIN:LRG 0DB	7A-8C	LARGE	LARGE	LARGE	0dB	SWFR	L	R	NONE	NONR	NONE	NONE
3	MAIN:LRG -10	7A-8D	LARGE	LARGE	LARGE	-10dB	SWFR	L	R	NONE	NONE	NONE	NONE
4	B:MAIN C:NONE	7A-8E	NONE	LARGE	LARGE	0dB	MAIN	L	R	NONE	NONE	NONE	NONE
5	LFE/B:MAIN	7A-8F	LARGE	LARGE	LARGE	0dB	MAIN	LFE	LFE	C	NONE	NONE	NONE
6	LFE/B:SWFR	7A-90	LARGE	LARGE	LARGE	0dB	SWFR	NONE	NONE	NONE	NONE	NONE	LFE
7	C:NONE	7A-91	NONE	LARGE	LARGE	0dB	SWFR	C+L	C+R	NONE	NONE	NONE	LFE
8	C:S REAR:S	---	SMALL	SMALL	LARGE	0dB	SWFR	FL	FR	C	RL	RR	C+RL+RR+LFE
9	FRONT MIX	7A-12	LARGE	LARGE	LARGE	0dB	SWFR	FL	FR	NONE	NONE	NONE	NONE

LARGE: Mode in which speakers with high bass-sound playback capability (large unit) are used. Full-range signals present on the channel are output from the speaker.

SMALL: Mode in which speakers with low bass-sound playback capability (small unit) are used. Low bass signals (below 90Hz) on the channel are mixed into the channel selected by the LFE/BASS setting.

NONE: Mode in which center speaker is not used. The center channel signal is reduced by 3 dB and mixed into MAIN L/R.

LFE/B:MAIN

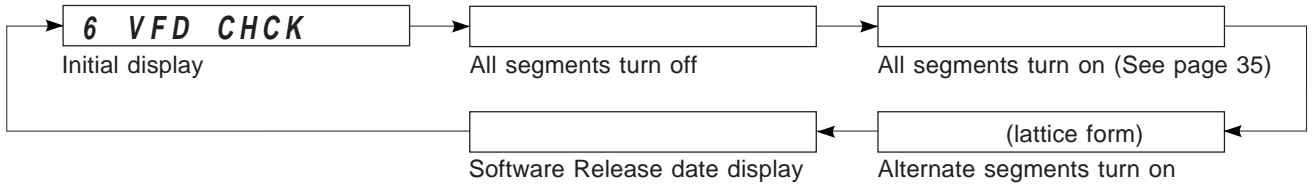
: Mode in which subwoofer speaker is not used. The LFE channel signal is reduced by 4.5 dB and mixed into MAIN L/R. But because of the phase difference, the MAIN L/R output is not simply summed.

Description of the submenu as follows:

	SUB MENU	DESCRIPTION
1	MAIN:SML 0DB	Verification of the High and low pass filter response and gain in the bass redirection mode.
2	MAIN:LRG 0DB	Reference of the sub menu No. 1 and 3.
3	MAIN:LRG -10	Verification of the effect in the main level function.
4	B:MAIN C:NONE	Verification of the mixing circuit effect to the main channel.
5	LFE/B:MAIN	Verification of the bass mix gain.
6	LFE/B:SWFR	Verification of the LFE maximum output.
7	C:NONE	Verification of the center mix gain.
8	C:S REAR:S	Verification of the high and low pass filter response and gain in the bass redirection mode.
9	FRONT MIX	Verification of the front mix gain.

No.6 DISPLAY CHECK

Check program for FL display. The display status will change as follows with sub-menu operation. signal route is the same as "2. EFFECT OFF" of "No. 4 PRO LOGIC".

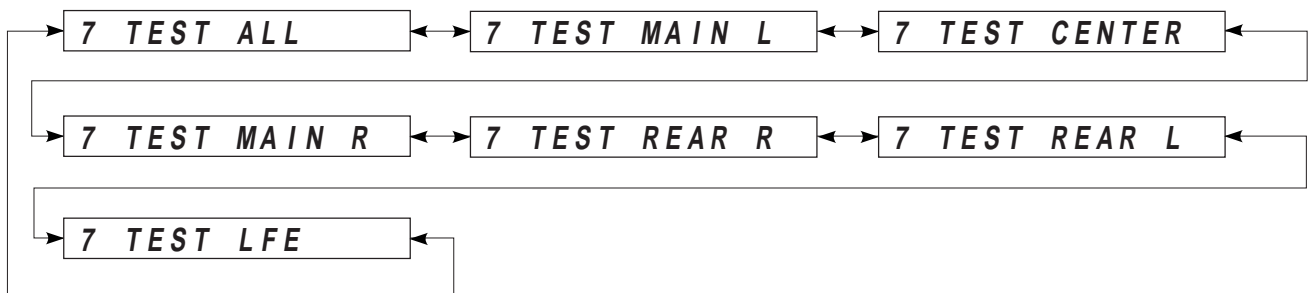


A defect of the FL drive port and FL display segments can be detected by using "All segments turn off" and "All segments turn on".

A short-circuit between adjacent segments can be detected by using "Alternate segments turn on" (lattice form).

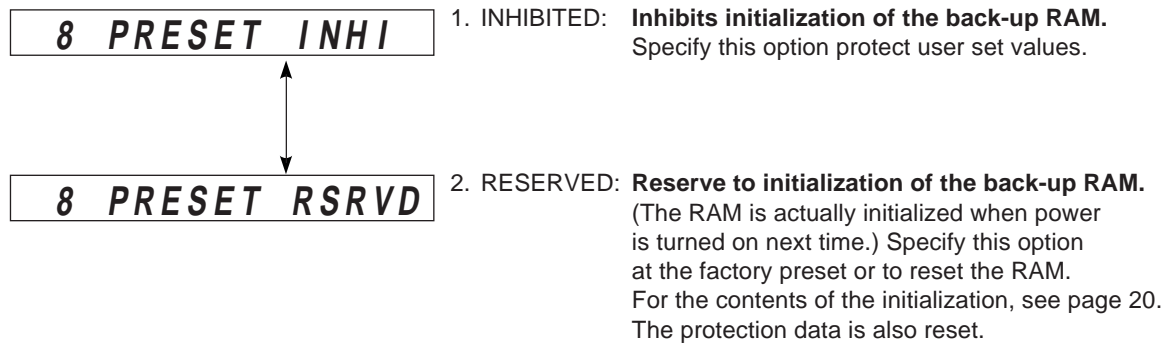
No.7 MANUAL TEST

By using the noise generator built into the DSP, a test noise outputs to the channel specified by the sub-menu.



No.8 FACTORY PRESET

The initialization of the back-up RAM, which contains, the DSP program, set menu contents, etc. is reserved or inhibited. Signal route is the same as "2. EFFECT OFF" of "No.4 PRO LOGIC".



Caution : Before setting to the PRESET RESERVED, write down the existing preset memory contents of the Tuner in a table as shown below. (This is because setting to the PRESET RESERVED will cause the memory contents to be as factory set, i.e., all the preset memory by the user will be erased.)

Page	P1	P2	P3	P4	P5	P6	P7	P8
A								
B								
C								
D								
E								

No.9 AD DATA CHECK

The A/D conversion values of the microcomputer which detects key scan port, protection detection port, etc. are displayed in % (100%:5V). Signal route is the same as "2. EFFECT OFF" of "No. 4 PRO LOGIC".

The keys on the main unit cannot be operated to detect the values of all keys in the K1/K2 and SI.

Operating the "PRESET/TUNING ◀, ▶" key and turning the rotary encoder ("INPUT SELECTOR" on the main unit) will switch the sub-menu.

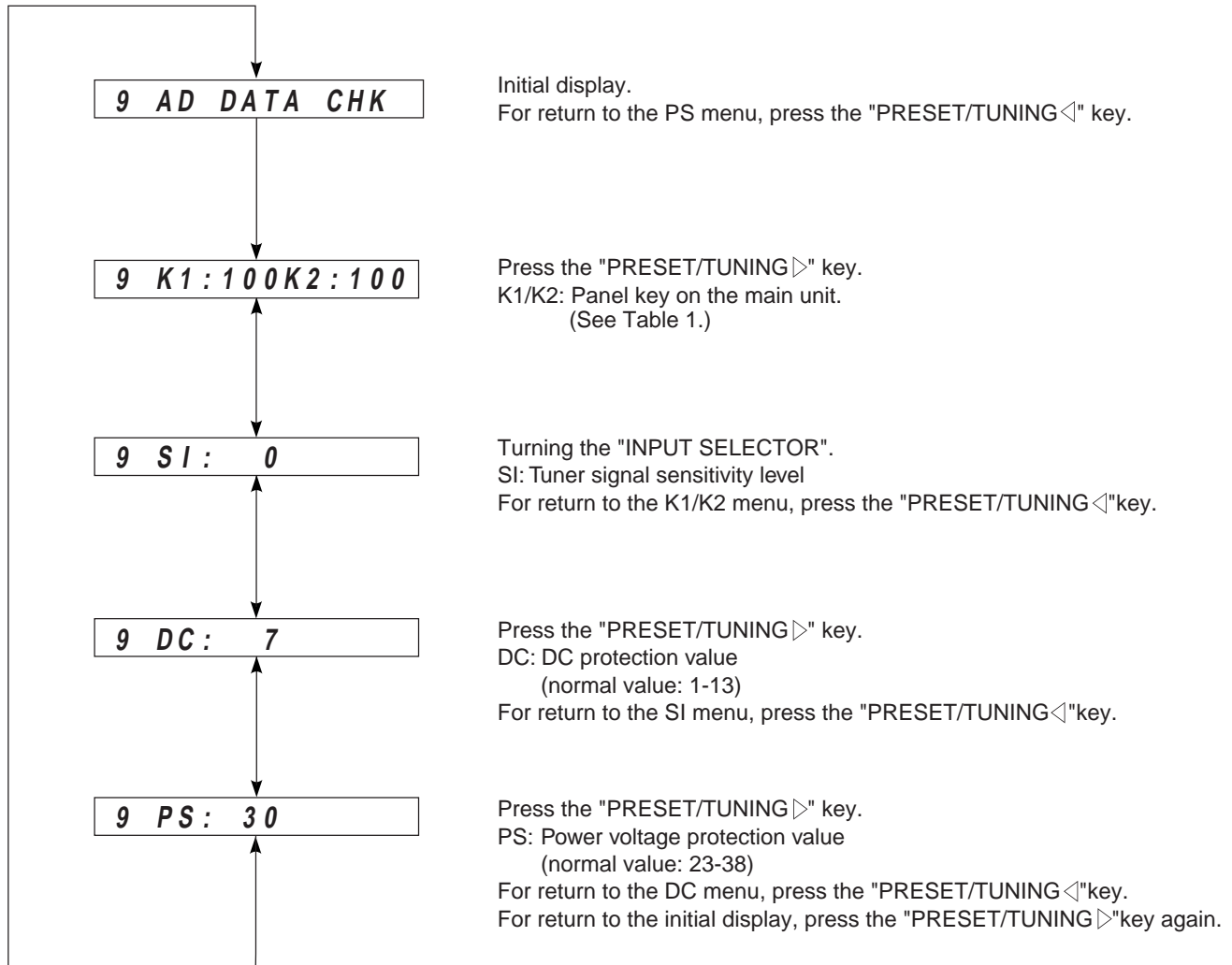


Table 1

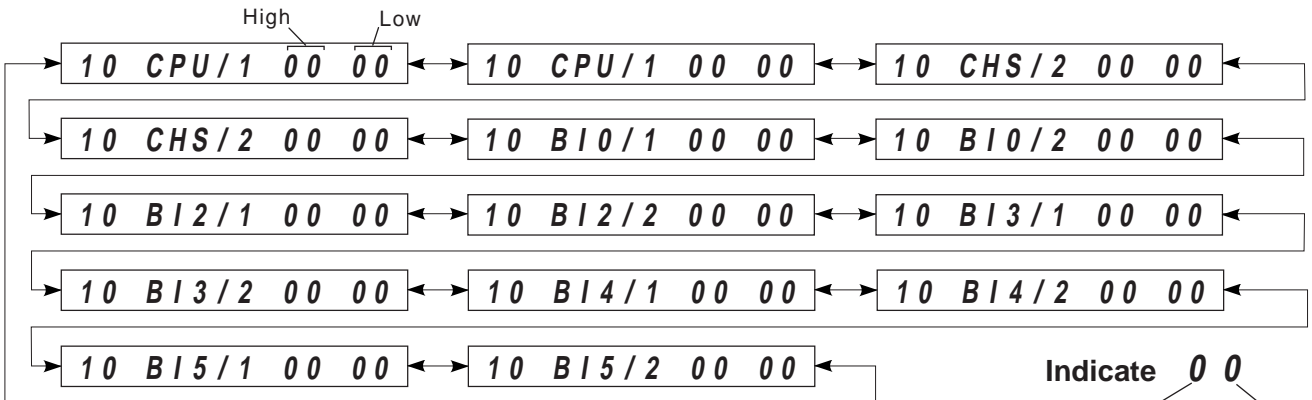
AD Value	0	14	24	35	45	55	65	75	85
K1	PROGRAM		EFFECT	TAPE/MD MON /EXT DECODER	EFFECT	RDS MODE /FREQ	EON	PTY SEEK	
	◀	▶						MODE	START
K2	PRESET/TUNING		INPUT MODE	PRESET /TUNING EDIT	FM/AM	MEMORY MAN'L/AUTO FM	TUNING MODE AUTO/MAN'L MONO	—	—
	◀	▶							

Cautions:

1. If K1 and K2 are more than ±4% from the reference values, normal operation will not be executed.
2. If DC and PS are outside the normal values, the protection function will operate and power will turn off.

No.10 STATUS INFORMATION FROM DSP

The status data from the DSP block is sequentially displayed in a hexadecimal number.
Signal route is the same as "2. EFFECT OFF" of "No. 4 PRO LOGIC".



[CPU/1]

<High Byte>

bit7	Mute request	bit3	acmod
bit6	fs	bit2	0000B:1+1 0001B:1/0 0010B:2/0 0011B:3/0
bit5	000B:Analog 001B:32kHz 010B:44.1kHz 011B:48kHz	bit1	0100B:2/1 0101B:3/1 0110B:2/2 0111B:3/2
bit4	100B:64kHz 101B:88.2kHz 110B:96kHz 111B:undefined	bit0	1000B:7.1

[Note]

When acmod is beyond 1000B, it is DTS 7.1 signal. And the DSP block will be muted.
The acmod of DTS 2/0 is as 0000B:1+1.

<Low Byte>

bit7	AC-3 DECODE OK	bit3	DEM (Demodulator) MUTE (without RF signal)
bit6	DTS DECODE OK	bit2	IEC958 digital format error
bit5	Red DTS record (Flashes and lights)	bit1	IEC958 commercial-use device bit
bit4	1 for audio other than PCM linear audio	bit0	IEC958 digital data bit

[Note]

IEC958: Standard to identify the PCM bit stream signal. Digital format error refers to a digital signal with the sampling frequency undefined (neither 32k,44.1k,48k,64k,88.2k nor 96k). Since the operation of each device cannot be assured at fs outside specifications, this status handled as the forced analog mode (ignored even if decoding is OK from the detection terminal level), and the signals from the analog input terminal will be selected. Bits 4-6 of "CPU/1" will be 000B (Analog), and the microcomputer operates in the same way as with digital unlocking.

Indicate 0 0
bit 7 6 5 4 3 2 1 0

Indicate	bit			
	3	2	1	0
7	7	6	5	4
0	0	0	0	0
1	0	0	0	1
2	0	0	1	0
3	0	0	1	1
4	0	1	0	0
5	0	1	0	1
6	0	1	1	0
7	0	1	1	1
8	1	0	0	0
9	1	0	0	1
A	1	0	1	0
B	1	0	1	1
C	1	1	0	0
D	1	1	0	1
E	1	1	1	0
F	1	1	1	1

[CPU/2]

<High Byte>

bit7	AC3 KARAOKE	bit3	1
bit6	DIR2 LOCKN	bit2	0
bit5	DIR2 ERR	bit1	DSP is AC3D2 (DTS present)
bit4	AC3D MUTE	bit0	RF DEM (Demodulator) present

<Low Byte> Always "00"

[CHS/1,/2] IEC958 channel status bits 00-31 available from DIR2.

- <CHS/1 High Byte> bits 00-07
- <CHS/1 Low Byte> bits 08-15
- <CHS/2 High Byte> bits 16-23
- <CHS/2 Low Byte> bits 24-31

[BI0/1,/2] Displays the bit stream information contained in AC-3(DOLBY DIGITAL)/DTS Digital Surround signal from the first byte.

[BI1-5/1,/2] Displays the bit stream information contained in AC-3(DOLBY DIGITAL) signal from the first byte.

No.11 EEPROM WRITING FUNCTION

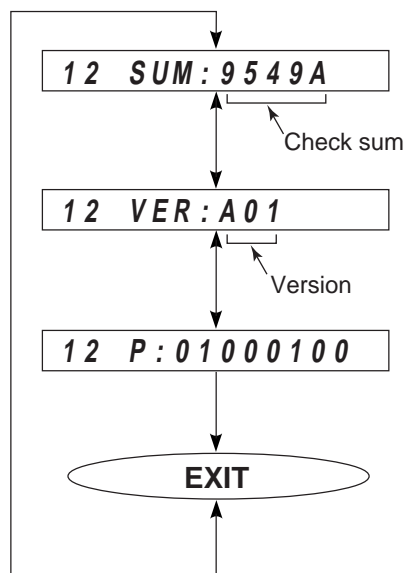
The check sum value confirmation of EEPROM and data writing.
Signal route is the same as "2. EFFECT OFF" of "No. 4 PRO LOGIC".

M:XXXX E:XXXX

M:XXXX: The check sum value is displayed when the microcomputer has ROM modification data.
0000 is displayed when there is no data.
E:XXXX: The check sum value is displayed when the EEPROM is installed on and it has the ROM data .
000 is displayed when EEPROM is not mounted on or data is unusual.
If you want to write ROM modification data of the microcomputer into the EEPROM, change to the next sub-menu.

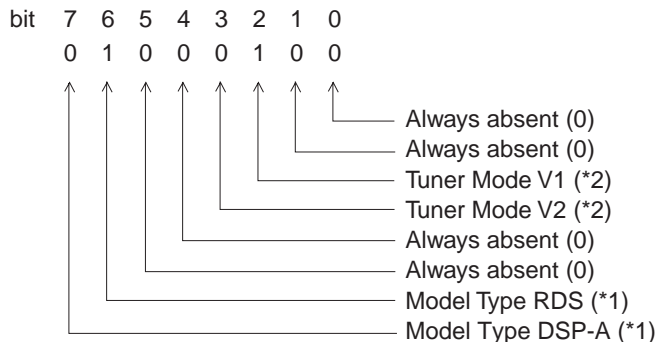
No.12 CHECK SUM/VERSION/PORT SETTING/EXIT

The version, the check sum, and the port setting of the microcomputer are displayed.
Signal route is the same as "2. EFFECT OFF" of "No.4 PRO LOGIC".
By the sub-menu operation, the set exits the self-diagnosis mode and returns to the normal operation mode.



SUM: 9549A : The check sum of the microcomputer software is displayed.

VER:A01 : The version of the microcomputer software is displayed.



*1 Model type distinction (H=1, L=0)

DSP-A (Pin 3)	0	DSP-A	0	DSP-E	1	RX-V396 HTR-5230 DSP-R396	1	RX-V396RDS HTR 5230RDS
RDS (Pin 6)	0		1		0		1	

*2 Destination distinction of Tuner (H=1, L=0)

V1 (Pin 4)	0	J model	0	U,C models	1	A,B,G models	1	R,T models
V2 (Pin 5)	0		1		0		1	

■ FACTORY PRESET

All of the system settings are initially set from the factory as follows.

● INPUT SELECTOR

INPUT		FACTORY PRESET PROGRAM
ROTARY ENCODER	PHONO	CONCERT HALL
	CD	DISCO
	TUNER	ROCK CONCERT
	DVD/LD	SCI-FI
	SAT/D-TV	TV SPORTS
	VCR	DOLBY NORMAL
	V-AUX	DOLBY ENHANCED
MONITOR	TAPE/MD	EFFECT OFF
EXTERNAL	EXT. DECODER	NONE

● EFFECT LEVEL

EFFECT CHANNEL	PRESET VALUE
CENTER	0 dB
RIGHT SURROUND	0 dB
LEFT SURROUND	0 dB
SUBWOOFER	0 dB

● DSP PROGRAM

No.	PROGRAM	SUB-PROGRAM	DELAY PRESET VALUE
1.	DOLBY/DTS SURROUND	NORMAL	PRO LOGIC : 20ms,
		ENHANCED	DOLBY DIGITAL/DTS DIGITAL SUR : 5ms
2.	MOVIE THEATER 1	SPECTACLE	70mm : 23ms, DGTL/DTS : 15ms
		SCI-FI	70mm : 20ms, DGTL/DTS : 16ms
3.	MOVIE THEATER 2	ADVENTURE	70mm : 20ms, DGTL/DTS : 15ms
		GENERAL	
4.	MONO MOVIE	-	49ms
5.	TV SPORTS	-	9ms
6.	DISCO	-	40ms
7.	ROCK CONCERT	-	16ms
8.	CONCERT HALL	-	44ms

● SET MENU

No.	SET MENU	PRESET VALUE
1.	CENTER SP SIZE	CENTER SP : LRG(LARGE)
2.	REAR SP SIZE	REAR SP : LARGE
3.	MAIN SP SIZE	MAIN SP : LARGE
4.	BASS OUT MODE	BASS OUT : BOTH
5.	M. LVL CHOICE	MAIN LVL : NRML (NORMAL)
6.	D. D. LFE OUT LEVEL	D. D. LFE 0 dB
7.	D. RNG CHOICE	D-RANGE : MAX
8.	DTS LFE OUT LEVEL	DTS LFE 0 dB
9.	C. DELAY CHANGE	CENTER DELAY 0ms
10.	MEMORY GUARD	MEM. GUARD : OFF
11.	INPUT MODE SAT/D-TV	SAT INPUT : AUTO

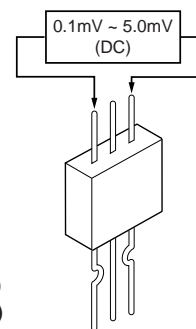
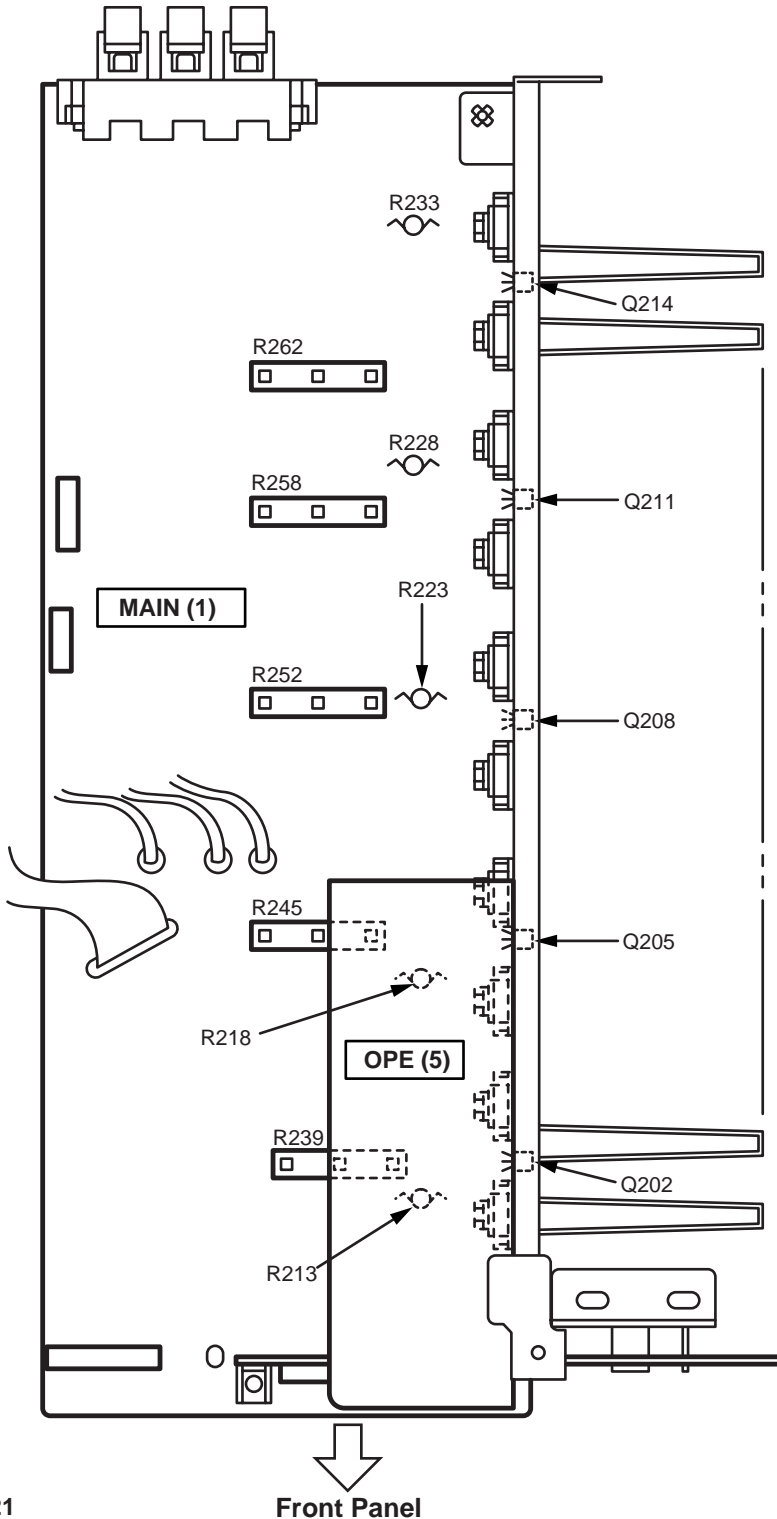
● PRESET STATIONS

STATION		FM FACTORY PRESET DATA (MHz)		STATION		AM FACTORY PRESET DATA (kHz)	
PAGE	NO.	U, C	R, T, A, B, G, L	PAGE	NO.	U, C, R	R, T, A, B, G, L
A/C/E	1	87.5	87.5	B/D	1	630	630
	2	90.1	90.1		2	1080	1080
	3	95.1	95.1		3	1440	1440
	4	98.1	98.1		4	530	531
	5	107.9	108.0		5	1710	1611
	6	88.1	88.1		6	900	900
	7	106.1	106.1		7	1350	1350
	8	107.9	108.0		8	1400	1404

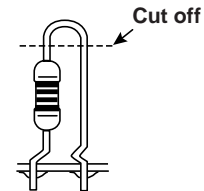
■ AMP ADJUSTMENT

Confirmation of Idling Current of Main Amplifier

- Right after power is turned on, confirm that the voltage across the terminals of R239(Main Lch),R245(Main Rch), R262(Center), R252(Rear Lch), R258(Rear Rch) are between 0.1mV and 5.0mV.
- If it exceeds 5.0mV, open (cut off) R213 (Main Lch), R218 (Main Rch), R233 (Center), R223 (Rear Lch), R228 (Rear Rch) and reconfirm the voltage.
- Confirm that the voltage is 0.25mV ~ 15.0mV after 60 minutes.



R239(Lch)
R245(Rch)
R262(Cch)
R252(RLch)
R258(RRch)



R213(Lch)
R218(Rch)
R233(Cch)
R223(RLch)
R228(RRch)

Note)

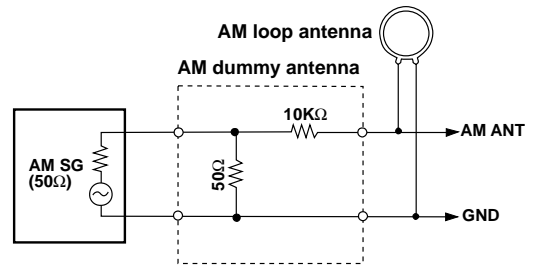
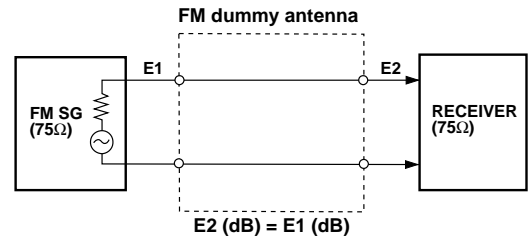
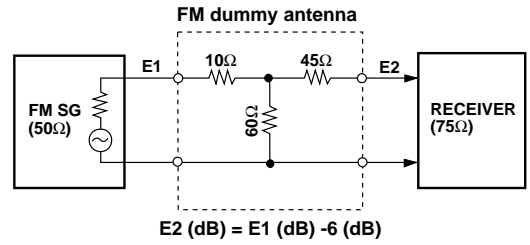
- If R213, R218, R233, R223 and R228 have already been cut off and idling current does not flow, reconnect R213, R218, R233, R223 and R228.
- Q202, Q205, Q208, Q211 and Q214 are transistors for temperature correction. Apply silicone grease to contact surface with the heat sink.

TUNER ADJUSTMENT

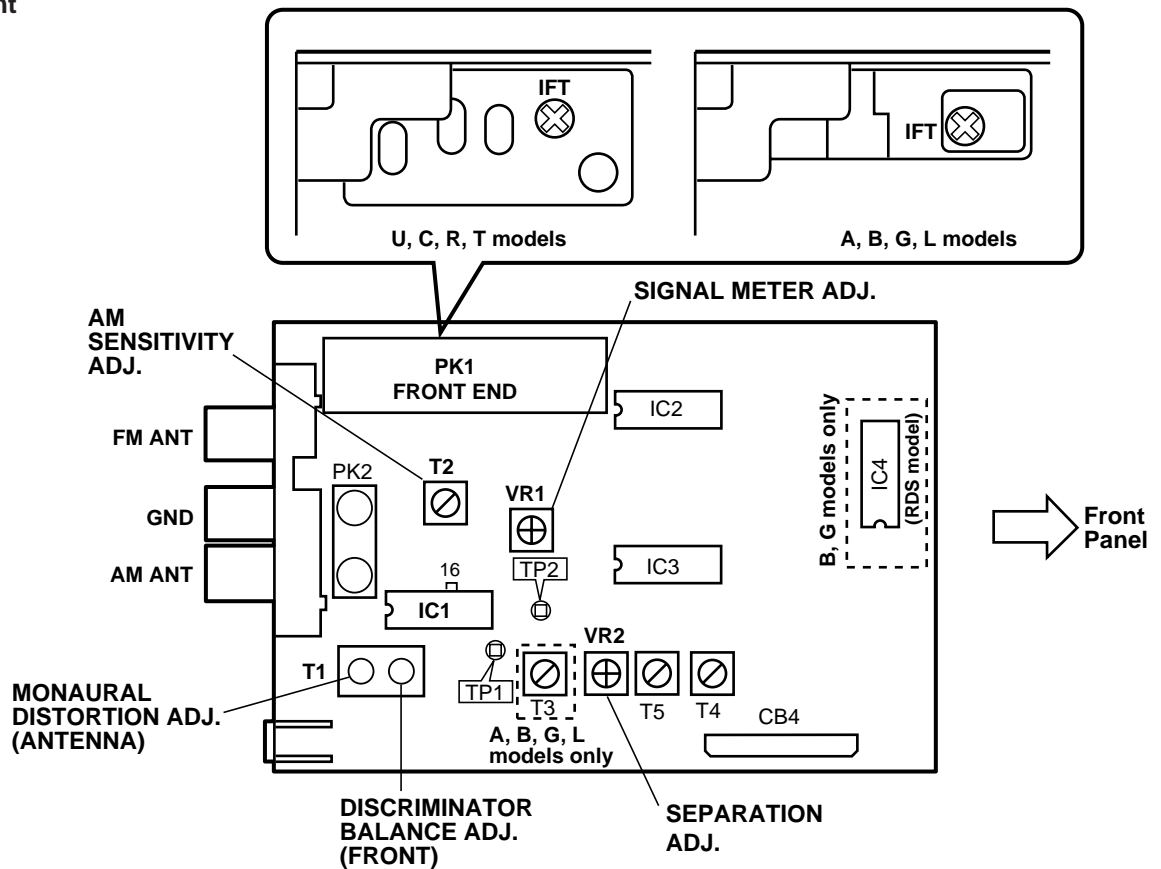
Measuring Instruments

- 1) FM signal generator (FM SG)
- 2) Stereo signal generator (SSG)
- 3) AM signal generator (AM SG)
- 4) Distortion meter (DIST. M)
- 5) AC Voltmeter (ACVM)
- 6) DC Voltmeter (DCVM)
- 7) Oscilloscope
- 8) Low pass filter (YLF-15, $f_c=15\text{kHz}$)
- 9) Oscillator

Dummy antenna



Test point



FM Adjustment

● Before Adjustment

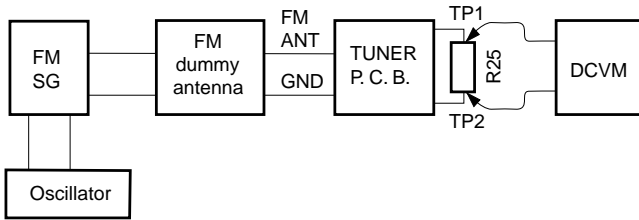
- 1) For dB μ , 1 μ V=0dB μ applies.
Example : 60dB μ =1mV
- 2) 100% modulation means that the frequency deviation is \pm 75kHz.
- 3) Install the Matching Transformer and connect FM SG.

- 4) Set each switch to the following position unless otherwise specified.

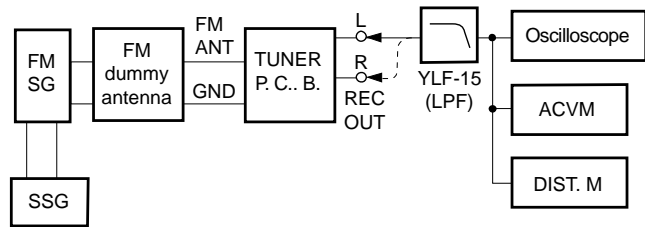
INPUT SELECTOR TUNER
TUNING MODE AUTO

● Connection diagram (Measuring instruments)

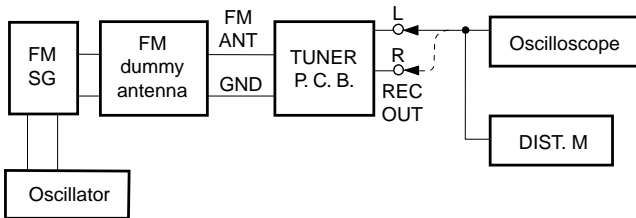
- 1) Discriminator balance adjustment.



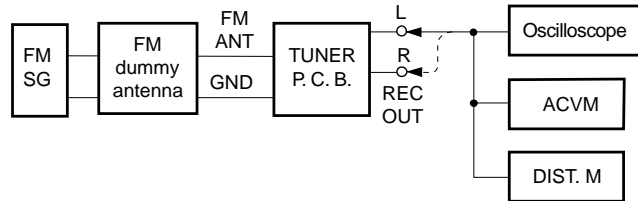
- 2) Stereo distortion adjustment/separation adjustment.



- 3) Monaural distortion adjustment



- 4) Sensitivity Verification



See page 22 for TP locations & adjustment points.

Step	Adjustment item	Signal (ANT IN)	Reception frequency	Adjustment point	Test point	Rating
1	Rough adjustment of discriminator balance	FM ANT (75 Ω) 98.1MHz 70dB μ MONO 100Hz 100% modulation	98.1MHz *(A-4)	T1 (Front side core)	Both ends of R25 (Between TP1 and TP2)	DC 0V \pm 100mV
2	Rough adjustment of monaural distortion	Same as Step 1.	98.1MHz *(A-4)	T1 (Antenna side core)	REC OUT L, R	Minimize the distortion.
3	Fine adjustment of discriminator balance	Same as Step 1.	98.1MHz *(A-4)	T1 (Front side core)	Both ends of R25 (Between TP1 and TP2)	DC 0V \pm 50mV
4	Fine adjustment of monaural distortion	Same as Step 1.	98.1MHz *(A-4)	T1 (Antenna side core)	REC OUT L, R	Minimize the distortion (-60dB or less).
5	Verification of discriminator balance	Same as Step 1.	98.1MHz *(A-4)	T1 (Front side core)	Both ends of R25 (Between TP1 and TP2)	DC 0V \pm 50mV

* Execution of FACTORY PRESET (Refer to page 20) will facilitate setting reception frequency for adjustment.

See page 22 for TP locations & adjustment points.

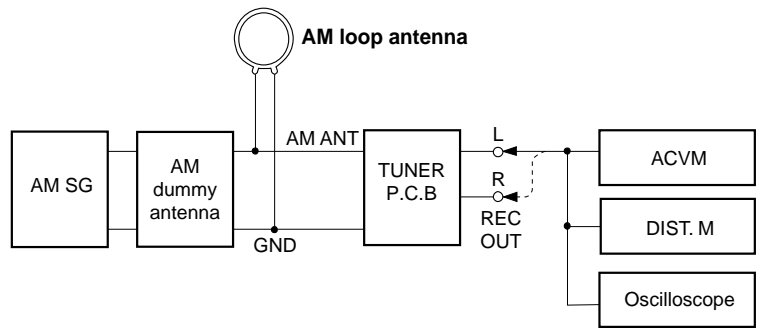
Step	Adjustment item	Signal (ANT IN)	Reception frequency	Adjustment point	Test point	Rating
6	Adjustment of front end IFT	FM ANT (75Ω) 98.1MHz 30dBμ MONO 1kHz 100% modulation	98.1MHz *(A-4)	Front end IFT	Pin 16 of IC1	Adjust so that the meter is maximum. CAUTION: Over-adjustment of the IFT core will reduce the sensitivity. (Maximum±90°)
7	Verification of monaural distortion	FM ANT (75Ω) 98.1MHz 70dBμ MONO 1kHz 100% modulation	98.1MHz *(A-4)		REC OUT L, R	0.1% (-60dB or less)
8	Verification of stereo distortion	FM ANT (75Ω) 98.1MHz 70dBμ Stereo L or R 1kHz, 100% modulation	98.1MHz *(A-4) *Tuning mode should be AUTO.		REC OUT L, R	0.2% (U,C,R,T: -54dB or less) (A,B,G,L: -28dB or less) ● STEREO indicator should light.
9	Verification of sensitivity	FM ANT (75Ω) 88.1MHz 98.1MHz 106.1MHz MONO 1kHz Modulation off	88.1MHz *(A-6) 98.1MHz *(A-4) 106.1MHz *(A-7)		ANT (75Ω)	1) Set the tuning mode to MAN'L MONO. 2) S/N should be 30dB at each frequency of 88.1MHz, 98.1MHz, and 106.1MHz. 3) Check to ensure that the voltage at the ANT terminal is as follows. (U,C,R,T: 6dBμ or less) (A,B,G,L : 8dBμ or less)
10	Adjustment of separation	FM ANT (75Ω) 98.1MHz 70dBμ Stereo L or R 1kHz, 100% modulation	98.1MHz *(A-4)	VR2	REC OUT L, R	With SSG output at L or R, the signal leakage level at the other channel should be minimized. (48 dB or less)
11	Adjustment of signal meter	FM ANT (75Ω) 98.1MHz 45dBμ MONO 1kHz, 30% modulation -10dBμ or less	98.1MHz *(A-4)	VR1		Adjust so that all signal meters light. Check to ensure that signal meters turn OFF.
12	Verification of auto tuning	FM ANT (75Ω) 98.1MHz 23dBμ Stereo L or R 1kHz, 30% modulation	98.1MHz *(A-4)			● Automatic reception should be available when the tuning key is moved UP and DOWN. ● The stereo indicator should light. ● Audio muting should be applied during tuning.

* Execution of FACTORY PRESET (Refer to page 20.) will facilitate setting reception frequency for adjustment.

AM Adjustment (This should be done after FM adjustment.)

● **Connection diagram (Measuring instruments)**

1) Adjustment of sensitivity.



See page 22 for TP locations & adjustment points.

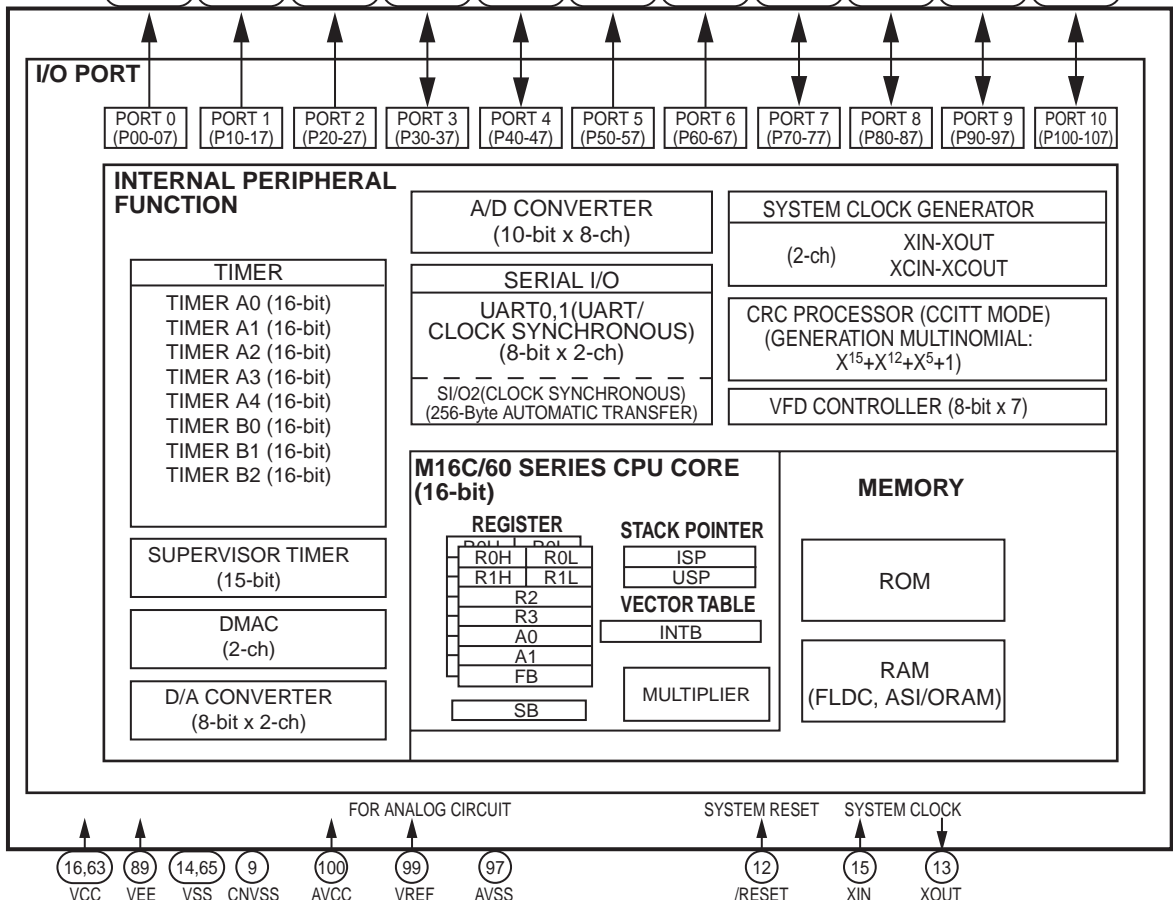
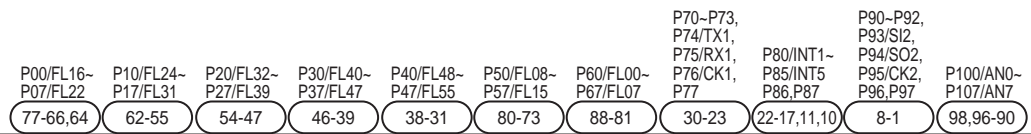
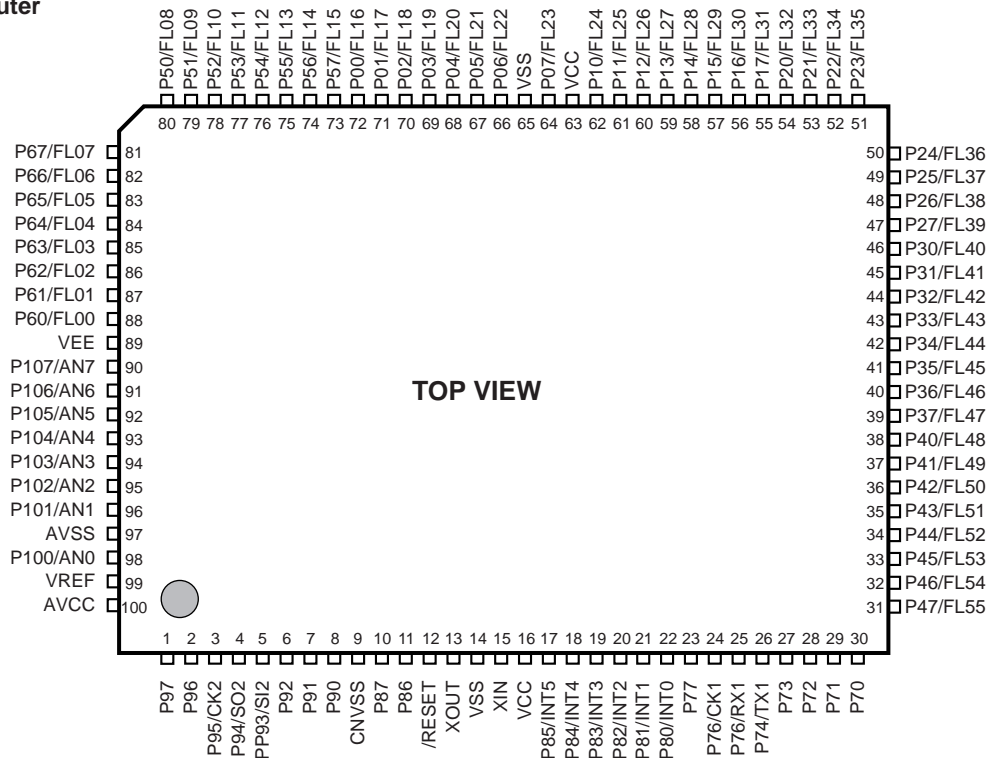
Step	Adjustment item	Signal (ANT IN)	Reception frequency	Adjustment point	Test point	Rating
1	Adjustment of sensitivity (630kHz)	AM ANT 630kHz 50dB μ 1kHz 30% modulation	630kHz *(B-1)	T2	REC OUT	Audio output should be maximized. Repeat steps 1 and 2.
2	Verification of sensitivity	AM ANT 630kHz 1080kHz 1440kHz 30% modulation	630kHz *(B-1) 1080kHz *(B-2) 1440kHz *(B-3)		AM ANT	Distortion should be 10% or less at each frequency. Check to ensure that the voltage at the ANT terminal is 54dB μ or less.
3	Verification of signal meter	AM ANT 1080kHz 90dB μ MONO 1 kHz 30% modulation	1080kHz *(B-2)			All signal meters should light. All signal meters should turn OFF.
4	Verification of auto tuning	AM ANT 60dB μ				Auto reception should be available when the tuning key is moved UP and DOWN. Audio must be muted during search.

* Execution of FACTORY PRESET (Refer to page 20.) will facilitate setting reception frequency for adjustment.

IC DATA

IC501 : M30217MA-A202FP

16-bit Microcomputer



IC501 : M30217MA-A202FP

16-bit Microcomputer

Pin No.	Port	Pin Name	I/O	Function
1	P97	SCK	O	Serial Clock output
2	P96	SDT	O	Serial Data output
3	P95	RCK	O	Clock output for model type distinction (*1)
4	P94	RDT	O	Data output for destination distinction of Tuner (*2)
5	P93	DEST	O	Data input for destination distinction of Tuner (*2)
6	P92	RCE	O	Chip enable output for model type distinction (*1)
7	P91	SCKD	O	Serial Clock output for DIR2
8	P90	SID	O	Serial data output for DIR2
9	CNVSS	CNVSS		For flash μ -COM write connector
10	P87	CKB	O	Clock output for output port expansion IC
11	P86	DTB	O	Data output for output port expansion IC
12	/RESET	/RES		System reset
13	XOUT	XOUT		Crystal oscillator connected (10MHz)
14	VSS	MG		Ground
15	XIN	MU		Crystal oscillator connected (10MHz)
16	VCC	+5BU		+5V Power supply
17	P85/INT5	ERRD	I	Error flag input from DIR2
18	P84/INT4	ERRA	I	Data mute detect input from AC3D2av
19	P83/INT3	REM	I	Remote control input
20	P82/INT2	PDT	I	Power down detect input
21	P81/INT1	PSW	I	Standby switch input
22	P80/INT0	CEAC1	O	Chip enable output 1 for AC3D2av
23	P77	CEAC2	O	Chip enable output 2 for AC3D2av
24	P76/CK1	CLKAC	O	Serial clock output 2 for AC3D2av
25	P75/RX1	RXAC	I	Serial data input from AV3D2av
26	P74/TX1	TXAC	O	Serial data output for AC3D2av
27	P73	CECOD	O	Chip enable output for CODEC ADC/DAC
28	P72	TCE	O	Chip enable output for Tuner
29	P71	CELC	O	Chip enable output for Input Selector
30	P70	CETC	I	Fixed H

Pin No.	Port	Pin Name	I/O	Function
31	P47/FL55	F-CE	O	Chip enable output
32	P46/FL54	F-CK	O	Serial clock output
33	P45/FL53	F-RX	I	Serial data input
34	P44/FL52	F-TX	O	Serial data output
35	P43/FL51	VUP	O	Volume up output
36	P42/FL50	VDN	O	Volume down output
37	P41/FL49	CDO	I	Serial data input from DIR2
38	P40/FL48	DVD-C/O	I	DVD/LD coaxial/optical detect input
39	P37/FL47	DBS-C/O	I	Fixed H
40	P36/FL46	PRI	I	I (Over current) protection detect input
41	P35/FL45	POT-A	I	Rotary encoder input A
42	P34/FL44	POT-B	I	Rotary encoder input B
43	P33/FL43	/ST	I	Stereo input from Tuner
44	P32/FL42	DO	I	Serial data input from Tuner
45	P31/FL41	/ICAC	O	Initial clear output for AC3D2av
46	P30/FL40	PRY	O	Power relay output
47	P27/FL39	SRY	O	Speaker relay output
48	P26/FL38	ERY	O	Effect relay output
49	P25/FL37	G1	O	Grid 1 for FL display
50	P24/FL36	G2	O	Grid 2 for FL display
51	P23/FL35	G3	O	Grid 3 for FL display
52	P22/FL34	G4	O	Grid 4 for FL display
53	P21/FL33	G5	O	Grid 5 for FL display
54	P20/FL32	G6	O	Grid 6 for FL display
55	P17/FL31	G7	O	Grid 7 for FL display
56	P16/FL30	G8	O	Grid 8 for FL display
57	P15/FL29	G9	O	Grid 9 for FL display
58	P14/FL28	G10	O	Grid 10 for FL display
59	P13/FL27	G11	O	Grid 11 for FL display
60	P12/FL26	G12	O	Grid 12 for FL display
61	P11/FL25	G13	O	Grid 13 for FL display
62	P10/FL24	G14	O	Grid 14 for FL display
63	VCC	+5VBU		+5V power supply
64	P07/FL23	G15	O	Grid 15 for FL display
65	VSS	MG		Ground
66	P06/FL22	G16	O	Grid 16 for FL display

*1 Model type distinction (H=1, L=0)

DSP-A (Pin 3)	0	DSP-A	0	DSP-E	1	RX-V496 HTR-5240 DSP-R496	1	RX-V496RDS HTR 5240RDS
RDS (Pin 6)	0		1		0		1	

*2 Destination distinction of Tuner (H=1, L=0)

V1 (Pin 4)	0	J model	0	U,C models	1	A,B,G,L models	1	R,T models
V2 (Pin 5)	0		1		0		1	

IC501 : M30217MA-A202FP

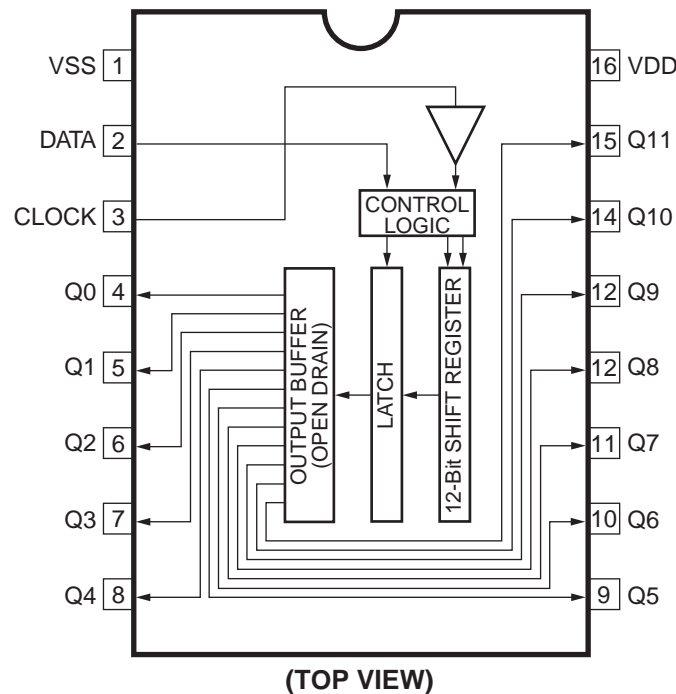
16-bit Microcomputer

Pin No.	Port	Pin Name	I/O	Function
67	P05/FL21	P1	O	Segment 1 for FL display
68	P04/FL20	P2	O	Segment 2 for FL display
69	P03/FL19	P3	O	Segment 3 for FL display
70	P02/FL18	P4	O	Segment 4 for FL display
71	P01/FL17	P5	O	Segment 5 for FL display
72	P00/FL16	P6	O	Segment 6 for FL display
73	P57/FL15	P7	O	Segment 7 for FL display
74	P56/FL14	P8	O	Segment 8 for FL display
75	P55/FL13	P9	O	Segment 9 for FL display
76	P54/FL12	P10	O	Segment 10 for FL display
77	P53/FL11	P11	O	Segment 11 for FL display
78	P52/FL10	P12	O	Segment 12 for FL display
79	P51/FL09	P13	O	Segment 13 for FL display
80	P50/FL08	P14	O	Segment 14 for FL display
81	P67/FL07	P15	O	Segment 15 for FL display
82	P66/FL06	P16	O	Segment 16 for FL display
83	P65/FL05	P17	O	Segment 17 for FL display
84	P64/FL04	P18	O	Segment 18 for FL display

Pin No.	Port	Pin Name	I/O	Function
85	P63/FL03	P19	O	Segment 19 for FL display
86	P62/FL02	P20	O	Segment 20 for FL display
87	P61/FL01	P21	O	Segment 21 for FL display
88	P60/FL00	P22	O	Segment 22 for FL display
89	VEE	VP	O	Power supply for FL display
90	P107/AN7	LIMDT	I	Limiter DC detect input
91	P106/AN6	PRV	I	PS (power voltage) protection AD value detect input
92	P105/AN5	PRD	I	DC (power amp voltage) protection AD value detect input
93	P104/AN4	METER	I	Tuner meter AD value input
94	P103/AN3	NC	O	No connection
95	P102/AN2	/FMT	O	Full mute output (L: ON)
96	P101/AN1	KEY2	I	Key 2 AD data value input
97	AVSS	MG		Ground
98	P100/AN0	KEY1	I	Key 1 AD data value input
99	VREF	+5M		Standard power supply for AD input
100	AVCC	+5BU		+5V power supply

IC107 : BU2090

Serial Input/Parallel Output Driver for Output port expansion



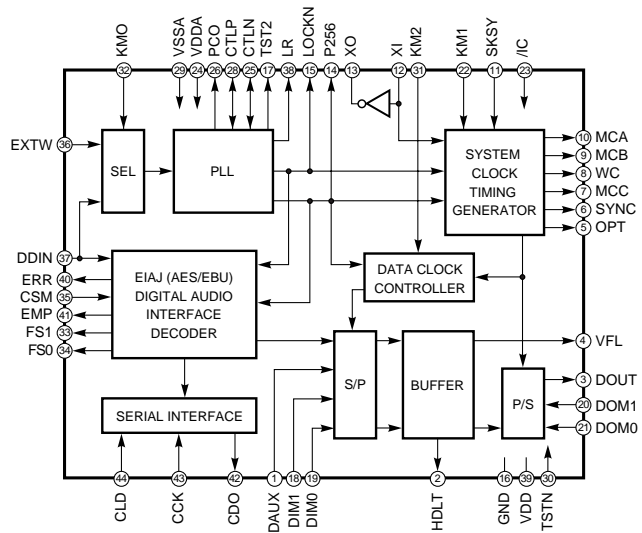
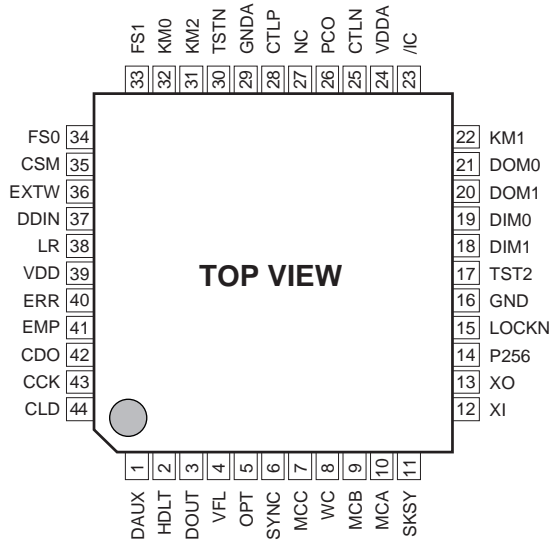
Pin No.	Port	Pin Name	I/O	Function
1	VSS	VSS		Ground
2	DATA	DTB	I	Control data input
3	CLOCK	CKB	I	Control clock input
4	Q0	SW1	O	Video select data
5	Q1	SW2	O	output 1-3(*)
6	Q2	SW3	O	for video input selector
7	Q3	SW4	O	Video select data
8	Q4	SW5	O	output 4,5
9	Q5	/CONT1	O	Limiter control data output 1,2
10	Q6	/CONT2	O	
11	Q7	/-10dB	O	-10dB control data output (L : -10dB)
12	Q8	6ch GAIN	O	6-ch gain control data output (L:6-ch)
13	Q9	/C-MUTE	O	Center mute data output (L:Mute on)
14	Q10	/SW-MUTE	O	Subwoofer mute data output (L:Mute on)
15	Q11	/T-MUTE	O	Tuner mute data output (L : Mute on)
16	VDD	VDD		+5V power supply

* Video input Selector Control (H=High, L=Low)

Video Input	SW1 (Pin4)	SW2 (Pin5)	SW3 (Pin6)
VCR	H	L	H
SAT/D-TV	H	H	L
DVD/LD	L	H	L
V-AUX	L	L	L

IC3 : YM3436DK (DIR2)

Digital Format Interface Receiver

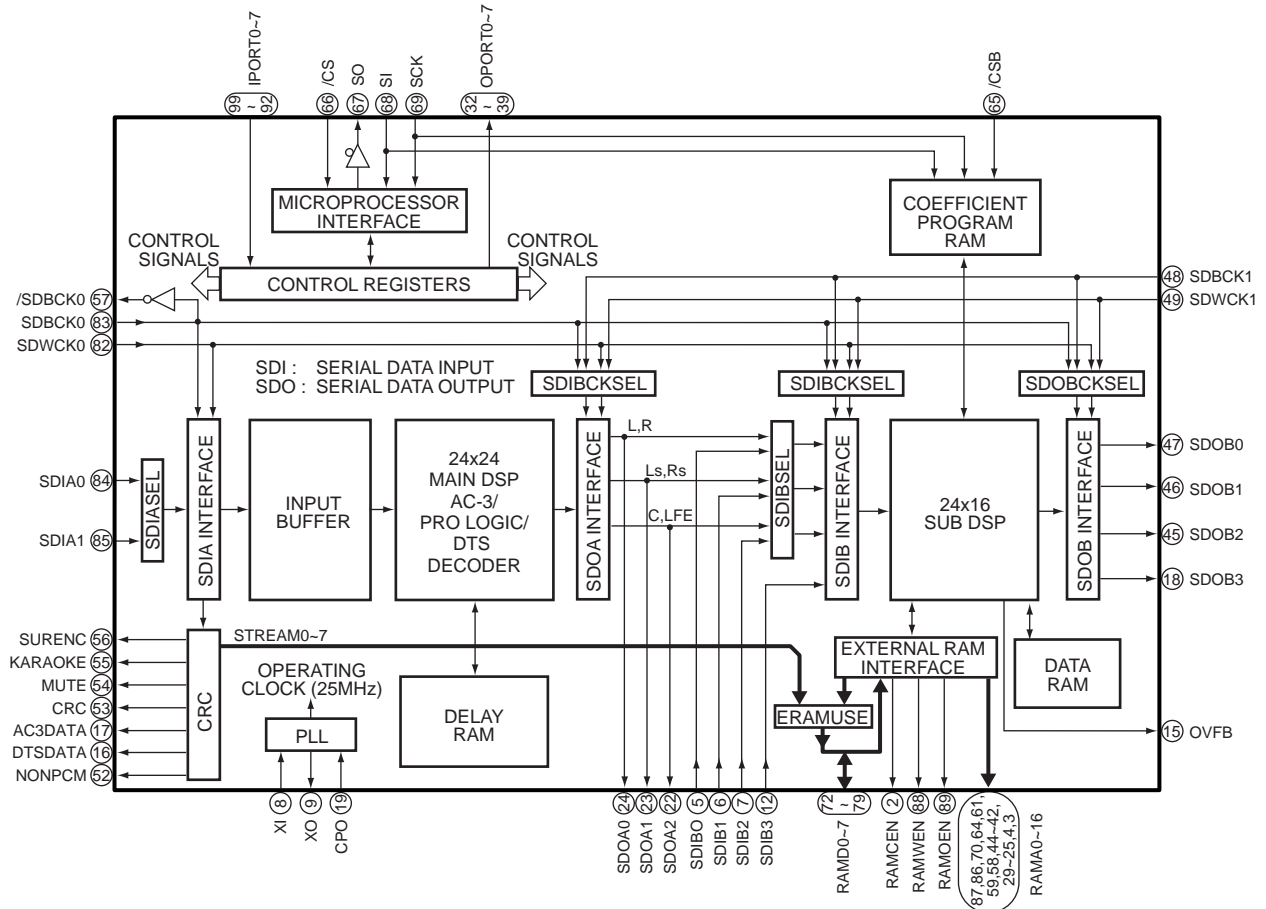
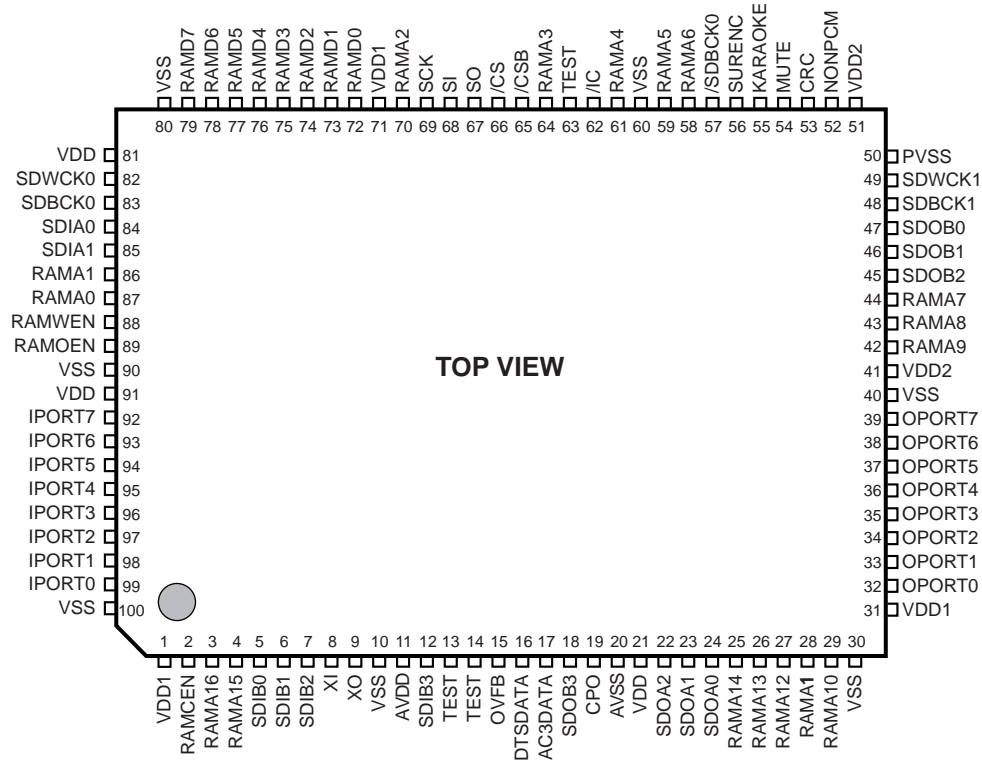


Pin No.	Pin Name	I/O	Function
1	DAUX	I	Audio data input from AC3D2av
2	HDLT	O	Unconnected
3	DOUT	O	Audio data output for AC3D2av
4	VFL	O	Unconnected
5	OPT	O	Unconnected
6	SYNC	O	Unconnected
7	MCC	O	64fs bit clock output for AC3D2av
8	WC	O	1fs word clock output for AC3D2av
9	MCB	O	Unconnected
10	MCA	O	256fs bit clock output for CODEC
11	SKSY	I	Clock synchronization control input (Fixed H)
12	XI	I	Crystal oscillator connection (12.288MHz)
13	XO	O	Crystal oscillator connection (12.288MHz) and external clock output for AC3D2av
14	P256	O	Unconnected
15	LOCKN	O	PLL lock flag output for microcomputer
16	GND		Ground
17	TST2	O	Unconnected
18	DIM1	I	Data input mode selection 0,1
19	DIM0	I	
20	DOM1	I	Data output mode selection 1,0 (Fixed L)
21	DOM0	I	
22	KM1	I	Compulsive analog performance mode input from AC3D2av

Pin No.	Pin Name	I/O	Function
23	/IC	I	Initial clear input from AC3D2av
24	VDDA		Power supply
25	CTLN	I	VCO control negative input
26	PCO	O	PLL phase comparison output
27	NC		Unconnected
28	CTLP	I	VCO control positive input (Fixed L)
29	GNDA		Ground
30	TSTN	I	Unconnected
31	KM2	I	Clock mode switching input 2,0 (Fixed L)
32	KM0	I	
33	FS1	O	Unconnected
34	FS0	O	Unconnected
35	CSM	I	Channel status output method selection(Fixed L)
36	EXTW	I	External synchronous auxiliary input word clock (Fixed L)
37	DIN	I	Digital audio data input
38	LR	O	Unconnected
39	VDD		Power supply
40	ERR	O	Data error flag output for microcomputer
41	EMP	O	Unconnected
42	CDO	O	Serial data output for microcomputer
43	CCK	I	Serial clock input from microcomputer
44	CLD	I	Serial data input from microcomputer

IC4 : YSS918D-F (AC3D2av)

DSP + AC-3(Dolby Digital)/ Pro Logic/ DTS Digital Surround Decoder



IC4 : YSS918D-F (AC3D2av)

DSP + AC-3(Dolby Digital)/ Pro Logic/ DTS Digital Surround Decoder

No.	Name	I/O	Function
1	VDD1		+5V power supply
2	RAMCEN	O	RAM chip enable output terminal (normally unconnected)
3	RAMA16	O	RAM address output terminal 16, connected to external 1M SRAM address
4	RAMA15	O	RAM address output terminal 15, connected to external 1M SRAM address
5	SDIB0	I	Serial data input B terminal 0 (normally connected to ground)
6	SDIB1	I	Serial data input B terminal 1 (normally connected to ground)
7	SDIB2	I	Serial data input B terminal 2 (normally connected to ground)
8	XI	I	Crystal oscillator connection or external clock input terminal, connected to external DIR2 external clock output
9	XO	O	Crystal oscillator connection (normally unconnected)
10	VSS		Ground
11	AVDD		+3V power supply
12	SDIB3	I	Serial data input B terminal 3 (normally unconnected)
13	TEST		Test terminal (normally unconnected)
14	TEST		Test terminal (normally unconnected)
15	OVFB	O	Overflow detect terminal (normally unconnected)
16	DTSDATA	O	DTS data detect terminal (normally unconnected)
17	AC3DATA	O	AC-3 data detect terminal (normally unconnected)
18	SDOB3	O	Serial data output B terminal 3 (normally unconnected)
19	CPO	O	PLL output terminal (connected to AVSS through external analog filter)
20	AVSS		Ground
21	VDD		+3V power supply
22	SDOA2	O	Serial data output A terminal 2 (normally unconnected)
23	SDOA1	O	Serial data output A terminal 1 (normally unconnected)
24	SDOA0	O	Serial data output A terminal 0 (normally unconnected)
25	RAMA14	O	RAM address terminal 14 output terminal, connected to external 1M SRAM address
26	RAMA13	O	RAM address terminal 13 output terminal, connected to external 1M SRAM address
27	RAMA12	O	RAM address terminal 12 output terminal, connected to external 1M SRAM address
28	RAMA11	O	RAM address terminal 11 output terminal, connected to external 1M SRAM address
29	RAMA10	O	RAM address terminal 10 output terminal, connected to external 1M SRAM address
30	VSS		Ground
31	VDD1		+5V power supply
32	OPORT0	O	Output expansion port terminal 0, digital input selector A output
33	OPORT1	O	Output expansion port terminal 1, digital input selector B output (DIB*)
34	OPORT2	O	Output expansion port terminal 2, connected to external CODEC initial clear input
35	OPORT3	O	Output expansion port terminal 3, connected to external DIR2 compulsive analog performance mode input
36	OPORT4	O	Output expansion port terminal 4, connected to external DIR2 initial clear input
37	OPORT5	O	Output expansion port terminal 5 (normally unconnected)
38	OPORT6	O	Output expansion port terminal 6 (normally unconnected)
39	OPORT7	O	Output expansion port terminal 7 (normally unconnected)
40	VSS		Ground
41	VDD2		+3V power supply
42	RAMA9	O	RAM address output terminal 9 , connected to external 1M SRAM address
43	RAMA8	O	RAM address output terminal 8 , connected to external 1M SRAM address
44	RAMA7	O	RAM address output terminal 7 , connected to external 1M SRAM address
45	SDOB2	O	Serial data output B terminal 2, connected to external CODEC PCM audio data output
46	SDOB1	O	Serial data output B terminal 1, connected to external CODEC PCM audio data output
47	SDOB0	O	Serial data output B terminal 0, connected to external CODEC PCM audio data output
48	SDBCK1	I	Serial data bit clock input terminal 1, connected to external DIR2 64fs bit clock output
49	SDWCK1	I	Serial data word clock input terminal 1, connected to external DIR2 1fs word clock output
50	VSS		Ground

* Digital input
Selector Control
(H=High, L=Low)

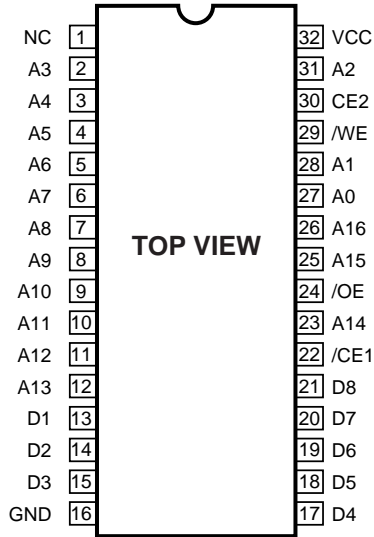
Digital Input	DIB(Pin33)
DVD/LD	L
SAT/D-TV	H

IC4 : YSS918D-F (AC3D2av)

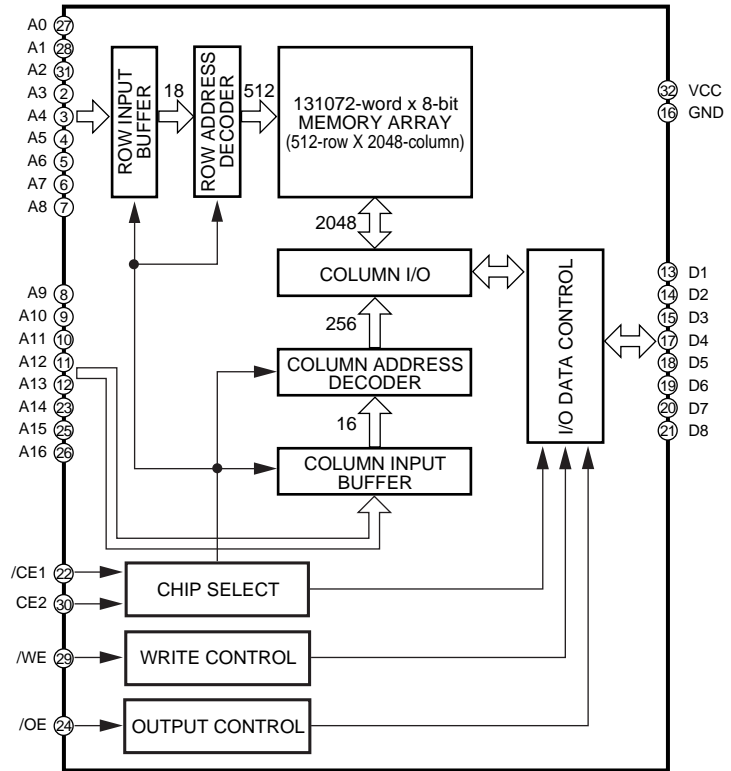
DSP + AC-3(Dolby Digital)/ Pro Logic/ DTS Digital Surround Decoder

No.	Name	I/O	Function
51	VDD2		+3V power supply
52	NONPCM	O	Non-PCM data output terminal (normally unconnected)
53	CRC	O	CRC output terminal (normally unconnected)
54	MUTE	O	Mute output terminal, connected to external microcomputer data mute detect input
55	KARAOKE	O	Karaoke output terminal (normally unconnected)
56	SURENC	O	Surround encoder output terminal (normally unconnected)
57	/SDBCK0	O	Inverted signal of serial data bit clock output terminal 0 (normally unconnected)
58	RAMA6	O	RAM address output terminal 6, connected to external 1M SRAM address
59	RAMA5	O	RAM address output terminal 5, connected to external 1M SRAM address
60	VSS		Ground
61	RAMA4	O	RAM address output terminal 4, connected to external 1M SRAM address
62	/IC	I	Initial clear input terminal, connected to external microcomputer initial clear output
63	TEST		Test terminal (normally unconnected)
64	RAMA3	O	RAM address output terminal 3, connected to external 1M SRAM address
65	/CSB	I	Chip select B input terminal, connected to external microcomputer chip enable output 2
66	/CS	I	Chip select input terminal, connected to external microcomputer chip enable output 1
67	SO	O	Serial data output terminal, connected to external microcomputer serial data input
68	SI	I	Serial data input terminal, connected to external microcomputer serial data output
69	SCK	I	Serial clock input terminal, connected to external microcomputer serial clock output
70	RAMA2	O	RAM address output terminal 2, connected to external 1M SRAM address
71	VDD1		+5V power supply
72	RAMD0	I/O	RAM data bus terminal 0, connected to external 1M SRAM data
73	RAMD1	I/O	RAM data bus terminal 1, connected to external 1M SRAM data
74	RAMD2	I/O	RAM data bus terminal 2, connected to external 1M SRAM data
75	RAMD3	I/O	RAM data bus terminal 3, connected to external 1M SRAM data
76	RAMD4	I/O	RAM data bus terminal 4, connected to external 1M SRAM data
77	RAMD5	I/O	RAM data bus terminal 5, connected to external 1M SRAM data
78	RAMD6	I/O	RAM data bus terminal 6, connected to external 1M SRAM data
79	RAMD7	I/O	RAM data bus terminal 7, connected to external 1M SRAM data
80	VSS		Ground
81	VDD2		+3V power supply
82	SDWCK0	I	Serial data word clock input terminal 0, connected to external DIR2 1fs word clock output
83	SDBCK0	I	Serial data bit clock input terminal 0, connected to external DIR2 64fs bit clock output
84	SDIA0	I	Serial data input A terminal 0, AC-3/DTS bit stream (or PCM) data input, connected to external DIR2 audio data output
85	SDIA1	I	Serial data input A terminal 1 (normally connected to ground)
86	RAMA1	O	RAM address output terminal 1, connected to external 1M SRAM address
87	RAMA0	O	RAM address output terminal 0, connected to external 1M SRAM address
88	RAMWEN	O	RAM write enable output terminal, connected to external 1M SRAM write enable
89	RAMOEN	O	RAM output enable output terminal, connected to external 1M SRAM output enable
90	VSS		Ground
91	VDD		+3V power supply
92	IPORT7	I	Input expansion port terminal 7 (normally connected to ground)
93	IPORT6	I	Input expansion port terminal 6 (normally connected to ground)
94	IPORT5	I	Input expansion port terminal 5 (normally connected to ground)
95	IPORT4	I	Input expansion port terminal 4 (normally connected to ground)
96	IPORT3	I	Input expansion port terminal 3, Front mix select (H:Outside, L:Inside)
97	IPORT2	I	Input expansion port terminal 2, RF select(H:Exist, L:None)
98	IPORT1	I	Input expansion port terminal 1, DTS select (H:DTS (YSS918), L:Non DTS (YSS908))
99	IPORT0	I	Input expansion port terminal 0, SRAM select (H:1M, L:256K)
100	VSS		Ground

IC5 : M5M51288BKJ-20LTE1 (1M SRAM)
131072-word x 8 bit High Speed Static RAM



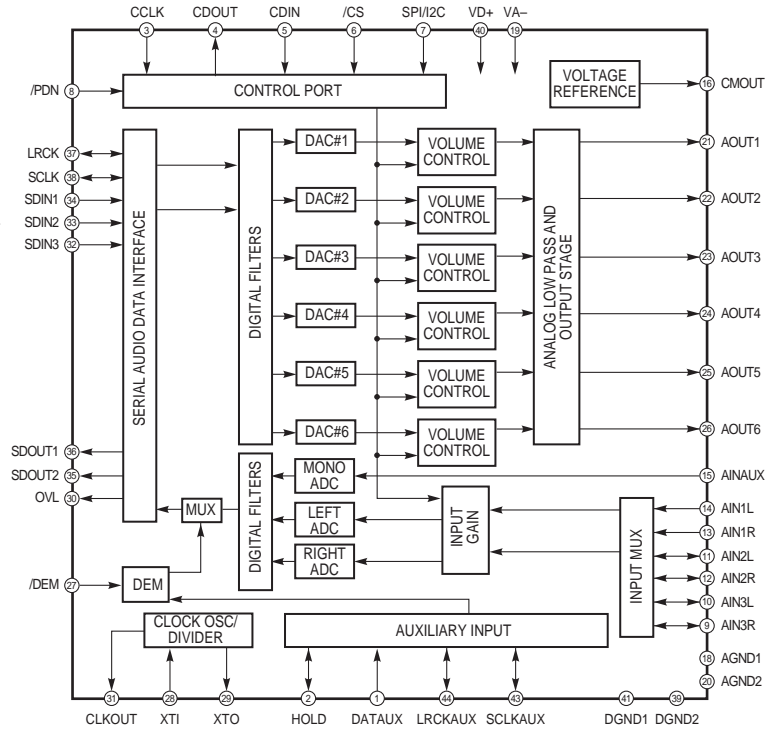
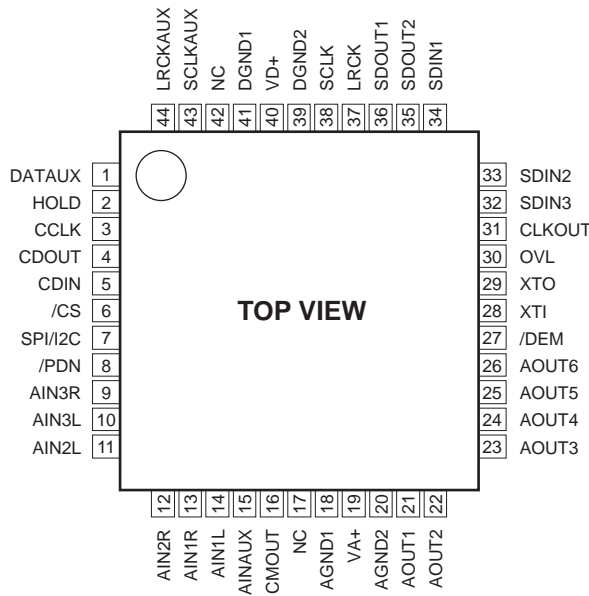
NOTE)
 A0-A16: Address input
 D1-D8: Data input/output
 /CE1,CE2: Chip enable input
 /OE: Output enable input
 /WE: Write enable input



/CE1	CE2	/WE	/OE	Mode	Data I/O	Power
X	L	X	X	Non-selectable	High impedance	On
H	X	X	X	Non-selectable	High impedance	Standby
L	H	L	X	Write mode	Input	On
L	H	H	L	Read mode	Output	On
L	H	H	H		High impedance	On

NOTE) H: High Level L: Low level X: Don't care

IC6: CS4227-KQ CODEC. ADC/DAC)
6-channel 20-bit Codec providing A/D, D/A Converter



Pin No.	Pin Name	I/O	Function
1	DATAUX	I	DATAUX terminal (Connected to digital ground)
2	HOLD	I/O	HOLD terminal (Connected to digital ground)
3	CCLK	I	Control clock input terminal, serial clock from microcomputer
4	CDOUT	O	CDOUT terminal (Unconnected)
5	CDIN	I	Control data input terminal, serial data from microcomputer
6	/CS	I	Chip select input terminal, codec chip enable from microcomputer
7	SPI/I2C	I	SPI/I2C terminal (Connected to digital ground)
8	/PDN	I	Power down input terminal, initial clear from AC3D2av
9	AIN3R	I/O	AIN3R terminal (Unconnected)
10	AIN3L	I/O	Lch analog input/output terminal 3,2, Lch positive, negative input from input selector
11	AIN2L	I/O	Rch analog input/output terminal 2,1, Rch negative, positive input from input selector
12	AIN2R	I/O	AIN2R terminal (Unconnected)
13	AIN1R	I	AIN1R terminal (Unconnected)
14	AIN1L	I	AIN1L terminal (Unconnected)
15	AINAUX	I	AINAUX terminal (Unconnected)
16	CMOUT	O	Center mute output terminal
17	NC		Non connection terminal
18	AGND1		Analog ground
19	VA+		+5V Analog power supply
20	AGND2		Analog ground
21	AOUT1	O	Analog output terminal 1,2, L,Rch analog output for MAIN
22	AOUT2	O	

Pin No.	Pin Name	I/O	Function
23	AOUT3	O	Analog output terminal 3,4, L,Rch analog output for REAR
24	AOUT4	O	
25	AOUT5	O	Analog output terminal 5,6, L,Rch analog output for CENTER, LFE
26	AOUT6	O	
27	/DEM	I	/DEM terminal (Connected to digital ground)
28	XTI	I	Cryatal input terminal, 256fs bit clock from DIR2
29	XTO	O	XTO terminal (Unconnected)
30	OVL	O	OVL terminal (Unconnected)
31	CLKOUT	O	CLKOUT terminal (Unconnected)
32	SDIN3	I	Serial data input terminal, 3,2,1, PCM audio data from AC3D2av
33	SDIN2	I	
34	SDIN1	I	
35	SDOUT2	O	SDOUT2 terminal (Unconnected)
36	SDOUT1	O	Serial data output terminal1, audio data for DIR2
37	LRCK	I/O	L,Rch clock input/output terminal, 1fs word clock from DIR2
38	SCLK	I/O	Serial clock input/output terminal, 64fs bit clock from DIR2
39	DGND2		Digital ground
40	VD+		+5V digital power supply
41	DGND1		Digital ground
42	NC		Non connection terminal
43	SCLKAUX	I/O	SCLKAUX terminal (Connected to digital ground)
44	LRCKAUX	I/O	LRCKAUX terminal (Connected to digital ground)

DISPLAY DATA

V501 : 16-BT-71GK (V4193300)

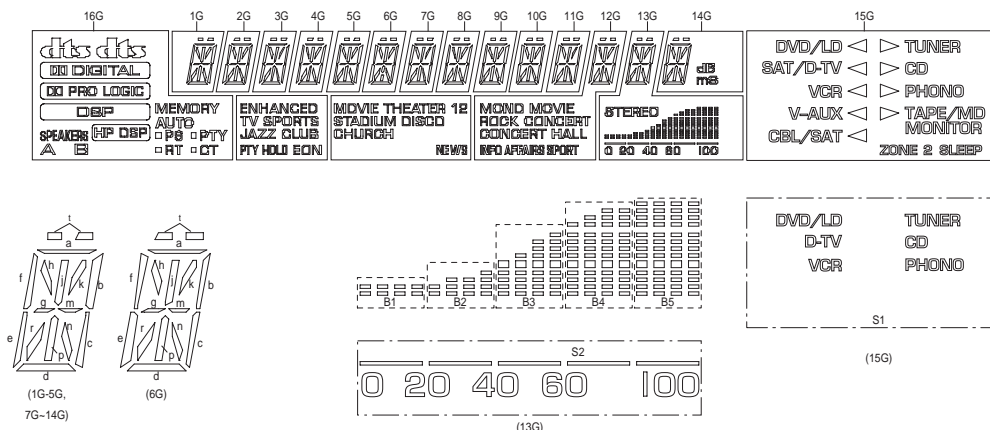


PIN CONNECTION

Pin No.	1	2	3	4	5	6	7	8	9	10	11	12	13	14	15	16	17	18	19	20	21	22	23	24	25
CONNECTION	F1	F1	NP	NP	NP	NP	NP	NP	NP	NP	NP	NP	NP	NP	NP	NP	Fd	Fd	NP	NP	P22	P21	P20	P19	
Pin No.	26	27	28	29	30	31	32	33	34	35	36	37	38	39	40	41	42	43	44	45	46	47	48	49	50
CONNECTION	P18	P17	P16	P15	P14	P13	P12	P11	P10	P9	P8	P7	P6	P5	P4	P3	P2	P1	NP	NP	16G	15G	14G	13G	12G
Pin No.	51	52	53	54	55	56	57	58	59	60	61	62	63	64	65										
CONNECTION	11G	10G	9G	8G	7G	6G	5G	4G	3G	2G	1G	NP	NP	F2	F2										

NOTE 1) F1, F2..... Filament
 2) NP..... No pin
 3) P1~P22..... Segment
 4) 1G~16G..... Grid
 5) Fd terminals are to be supplied through 51kΩ from Ec.
 6) Field of vision is a minimum of 23° from the lower side.

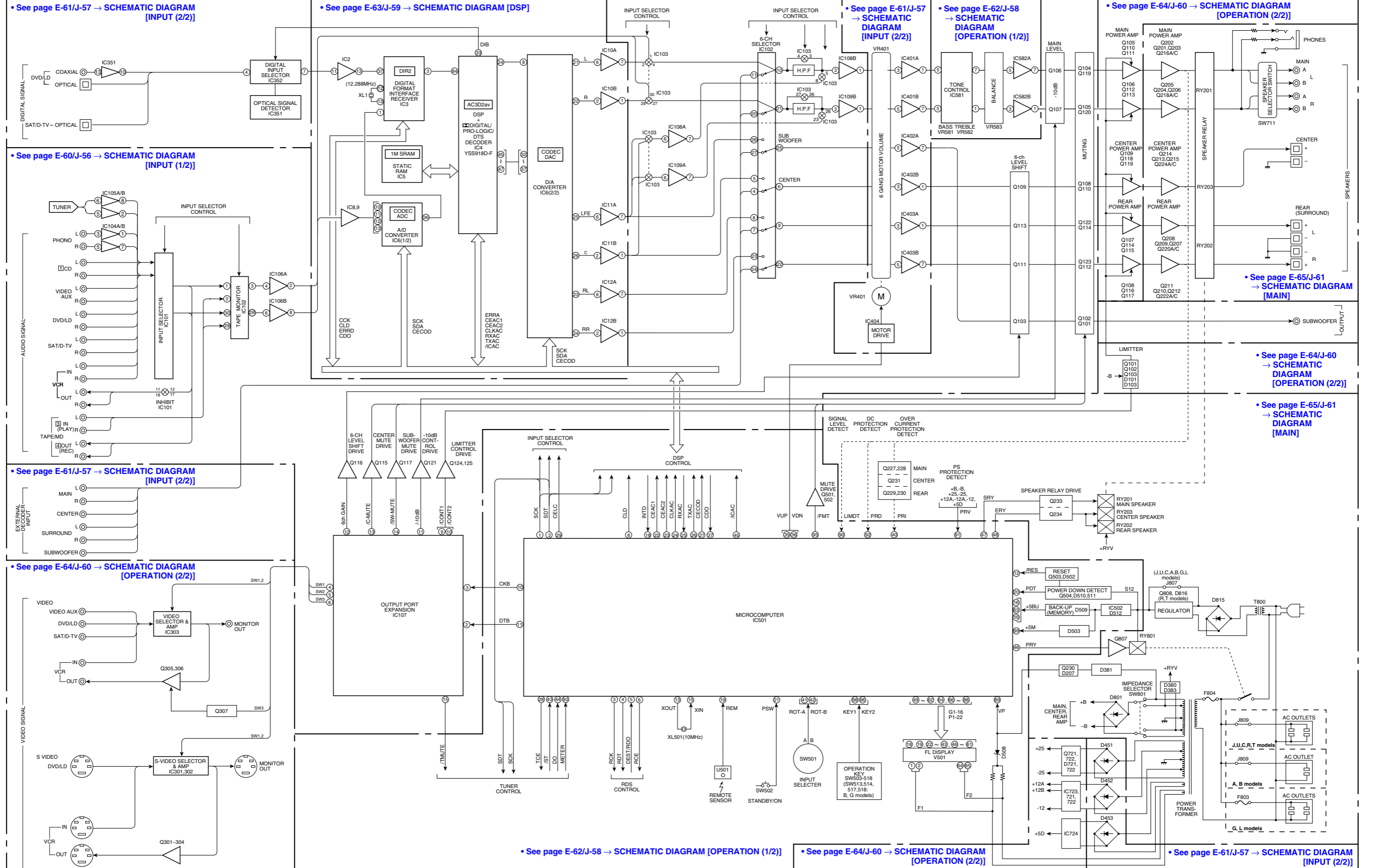
GRID ASSIGNMENT



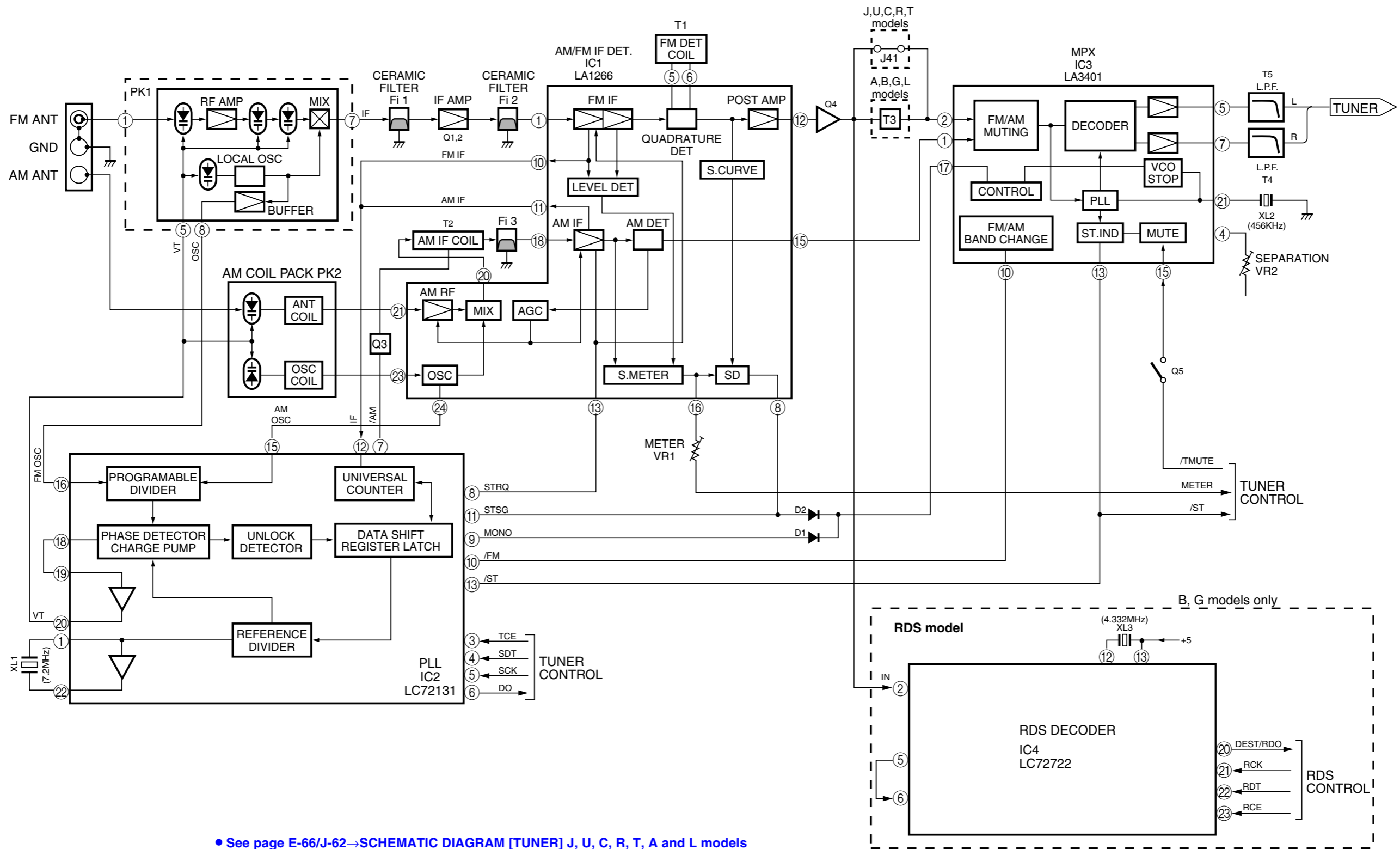
ANODE CONNECTION

	16G	15G	14G	13G	12G	11G	10G	9G	8G	7G	6G	5G	4G	3G	2G	1G
P1	(LEFT)	(TUNER)	a	a	a	a	a	a	a	a	a	a	a	a	a	a
P2	(RIGHT)	(CD)	b	b	b	b	b	b	b	b	b	b	b	b	b	b
P3	(DIGITAL)	(PHONO)	c	c	c	c	c	c	c	c	c	c	c	c	c	c
P4	(PRO LOGIC)	(TAPE/MD)	d	d	d	d	d	d	d	d	d	d	d	d	d	d
P5	(DBP)	(CBL/SAT)	e	e	e	e	e	e	e	e	e	e	e	e	e	e
P6	(HP DSP)	(V-AUX)	f	f	f	f	f	f	f	f	f	f	f	f	f	f
P7	(SPEAKERS)	(VCR)	g	g	g	g	g	g	g	g	g	g	g	g	g	g
P8	(A)	(SAT/D-TV)	h	h	h	h	h	h	h	h	h	h	h	h	h	h
P9	(B)	(DVD/LD)	j	j	j	j	j	j	j	j	j	j	j	j	j	j
P10	(MEMORY)	S1	k	k	k	k	k	k	k	k	k	k	k	k	k	k
P11	(AUTO)	SAT/	m	m	m	m	m	m	m	m	m	m	m	m	m	m
P12	(PS)	V-AUX	n	n	n	n	n	n	n	n	n	n	n	n	n	n
P13	(PS)	CBL/SAT	p	p	p	p	p	p	p	p	p	p	p	p	p	p
P14	(PTV)	TAPE/MD	r	r	r	r	r	r	r	r	r	r	r	r	r	r
P15	(PTTY)	MONITOR	t	t	t	t	t	t	t	t	t	t	t	t	t	t
P16	(RT)	ZONE 2	dB	STEREO	MONO	MOVIE	MOVIE THEATER	ENHANCED	-	-	-	-	-	-	-	-
P17	(CT)	SLEEP	ms	B1	ROCK CONCERT	1	TV SPORTS	-	-	-	-	-	-	-	-	-
P18	(CT)	-	-	B2	CONCERT HALL	2	JAZZ CLUB	-	-	-	-	-	-	-	-	-
P19	CT	-	-	B3	INFO	STADIUM	PTY HOLD	-	-	-	-	-	-	-	-	-
P20	-	-	-	B4	AFFAIRS	DISCO	EON	-	-	-	-	-	-	-	-	-
P21	-	-	-	B5	SPORT	CHURCH	-	-	-	-	-	-	-	-	-	-
P22	-	-	-	S2	-	NEWS	-	-	-	-	-	-	-	-	-	-

BLOCK DIAGRAM (1/2)



■ BLOCK DIAGRAM (2/2)



- See page E-66/J-62 → SCHEMATIC DIAGRAM [TUNER] J, U, C, R, T, A and L models
- See page E-67/J-63 → SCHEMATIC DIAGRAM [TUNER] B and G models (RDS model)

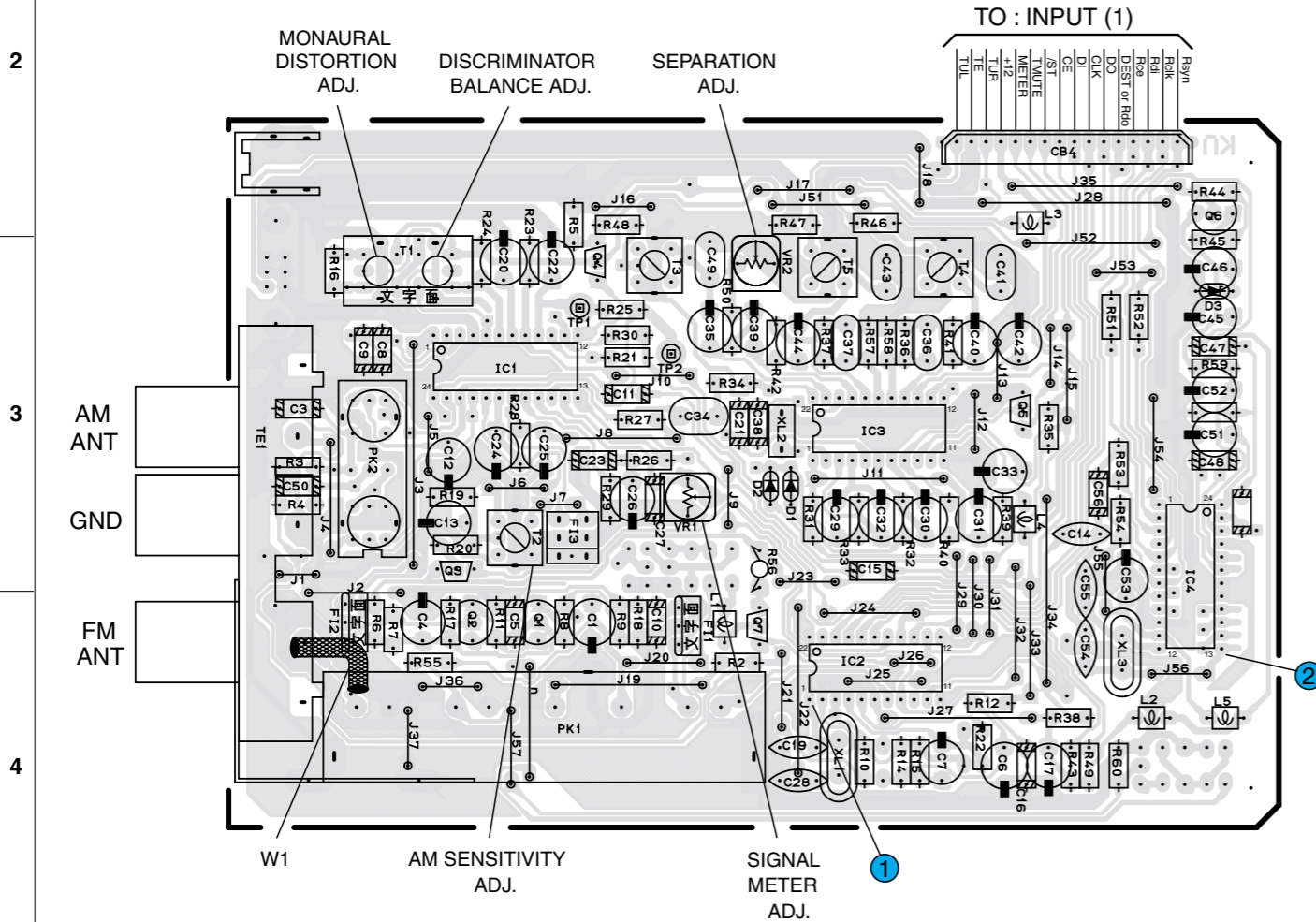
PRINTED CIRCUIT BOARD (Foil side)

1 There are two types of Tuner P. C. B. assemblies for this model: One has only lead-type device and the other has lead-type and surface-mount (SMD) devices. These two P. C. B. assemblies are interchangeable.

P. C. B. ASS'Y TUNER LIST

Model	Markets	Lead Type	Lead & SMD
RX-V496RDS/ HTR-5240RDS	B, G/G	V2518900	V2519600

● B and G models (RDS model) P. C. B. TUNER (Lead Type)

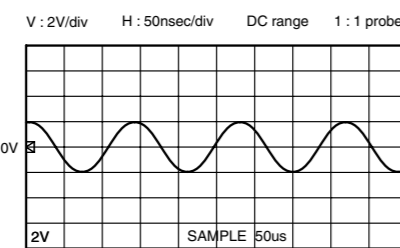


Lead Type

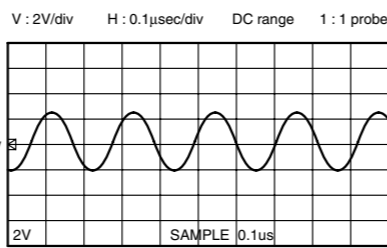
● Semiconductor Location

Ref. No.	Location
D1	C3
D2	C3
D3	D3
IC1	B3
IC2	C4
IC3	C3
IC4	D3
Q1	B4
Q2	B4
Q3	B3
Q4	B3
Q5	C3
Q6	D2
Q7	C4

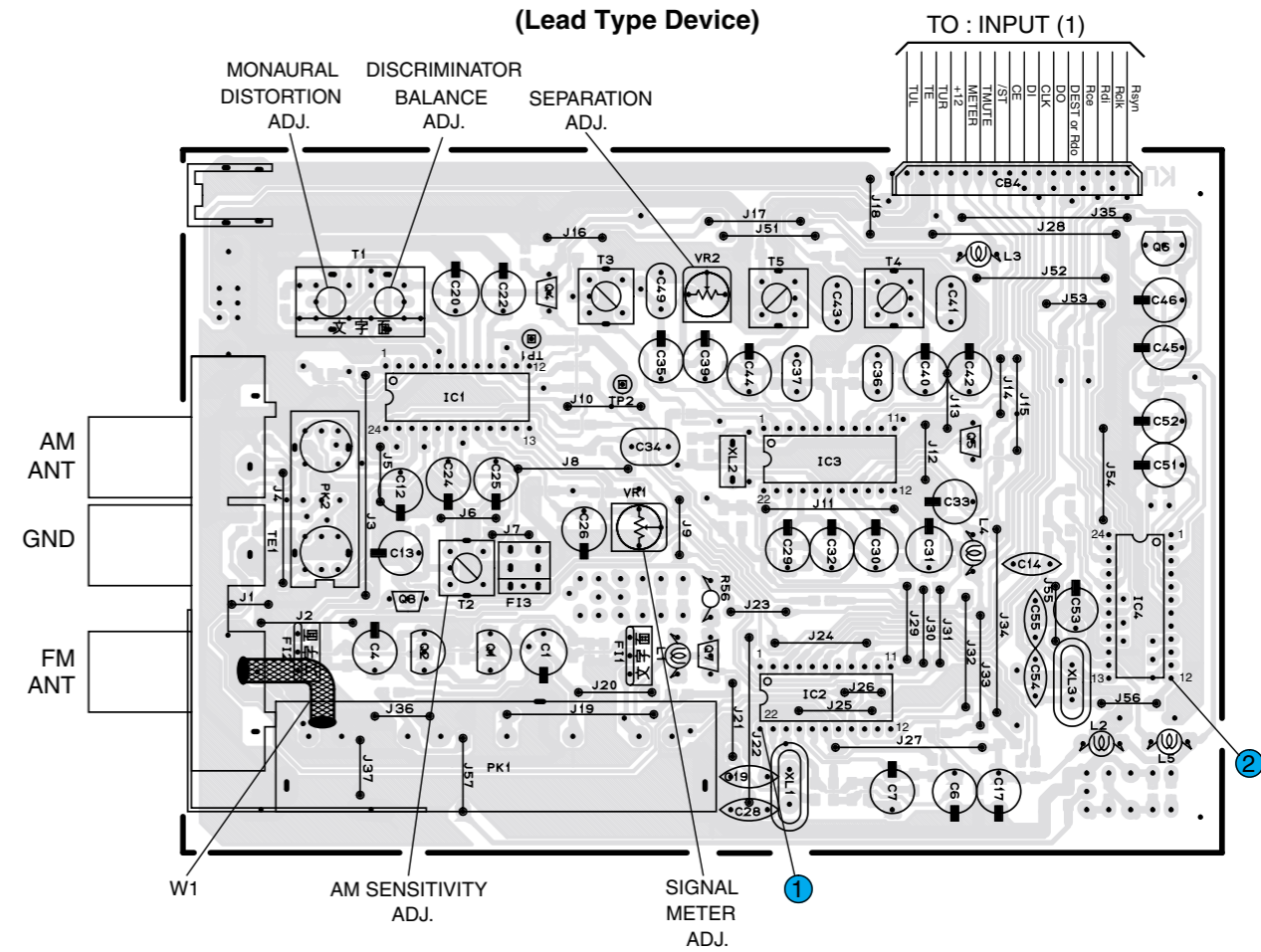
Point ① (Pin22 of IC2)



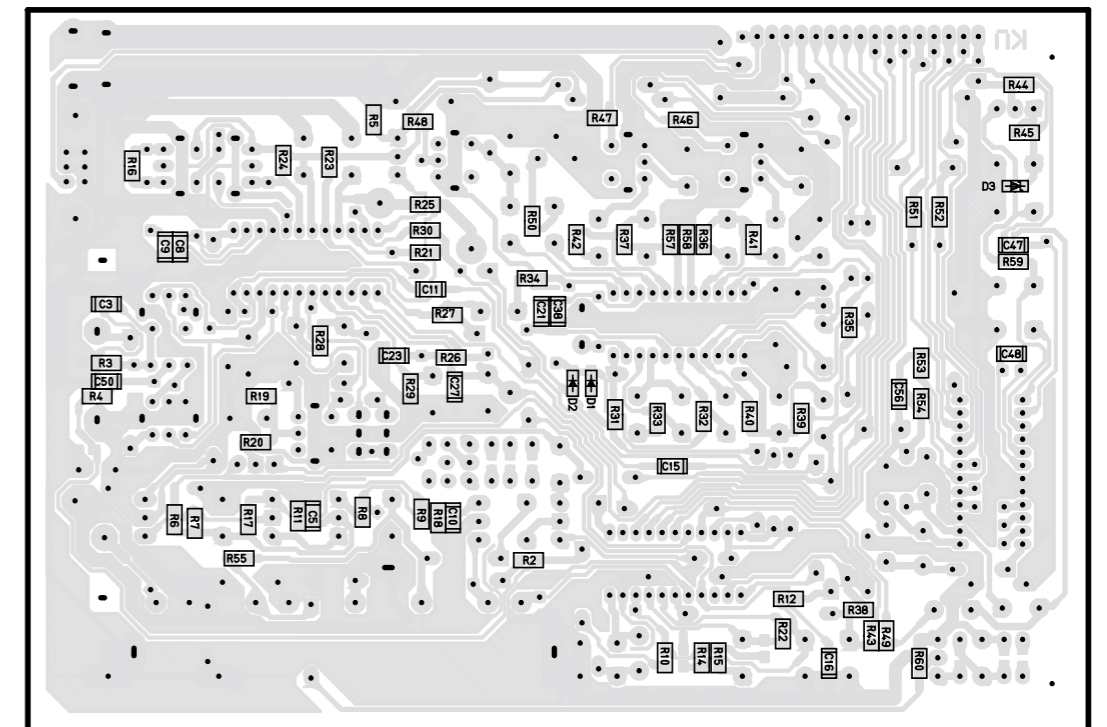
Point ② (Pin12 of IC4)



● B and G models (RDS model) P. C. B. TUNER (Lead Type & SMD)



(Surface Mount Device)



Lead Type & SMD

● Semiconductor Location

Ref. No.	Location
D1	G5
D2	G5
D3	H4
IC1	F2
IC2	G3
IC3	G2
IC4	H3
Q1	F3
Q2	F3
Q3	F3
Q4	F2
Q5	G2
Q6	H2
Q7	G3

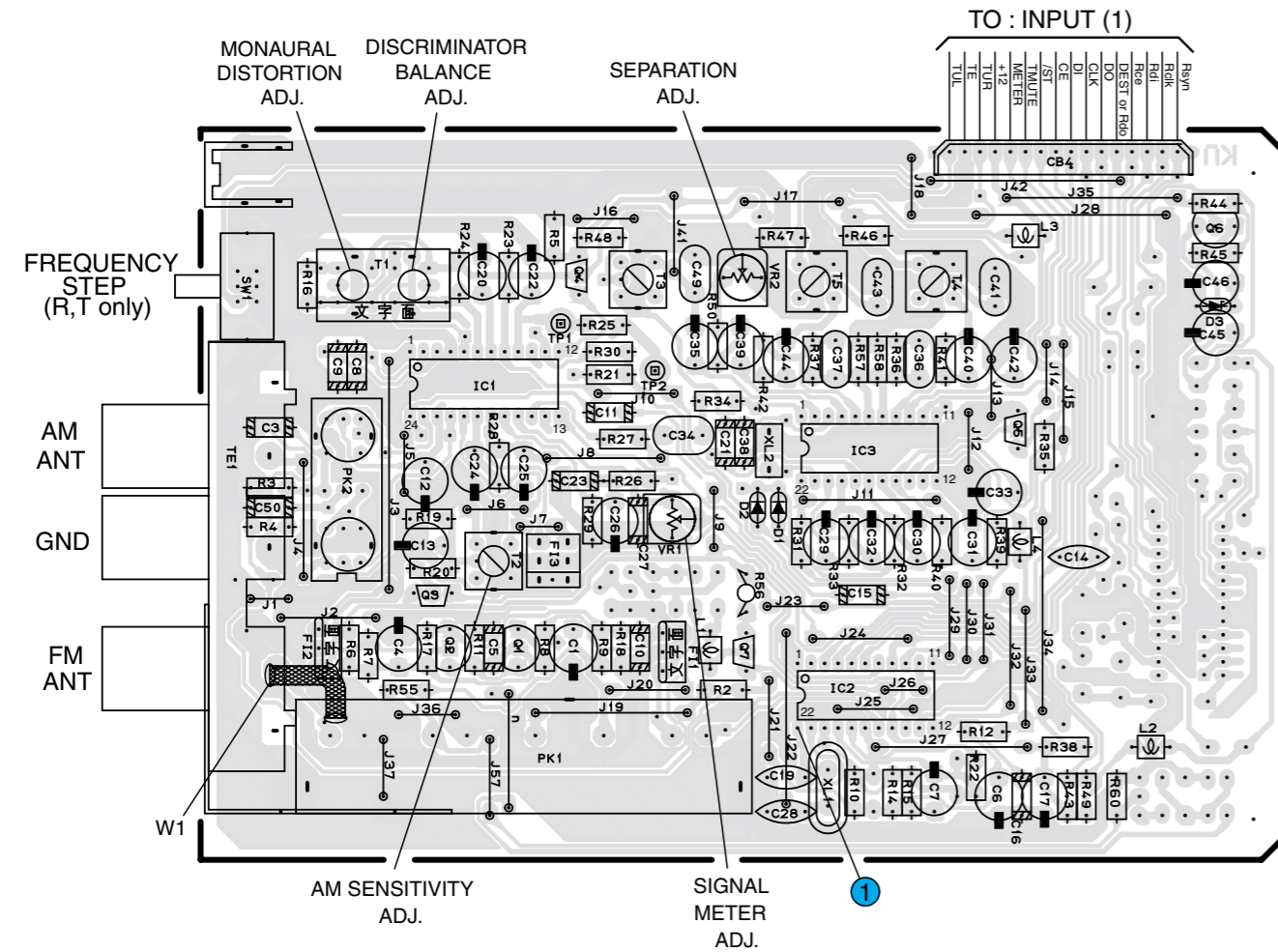
PRINTED CIRCUIT BOARD (Foil side)

There are two types of Tuner P. C. B. assemblies for this model: One has only lead-type device and the other has lead-type and surface-mount (SMD) devices. These two P. C. B. assemblies are interchangeable.

P. C. B. ASS'Y TUNER LIST

Model	Markets	Lead Type	Lead & SMD
DSP-R496	J	V2518500	V2519200
RX-V496/HTR-5240	U, C	V2518600	V2519300
RX-V496/HTR-5240	R, T/T	V2518700	V2519400
RX-V496/HTR-5240	A, L/A	V2518800	V2519500

J, U, C, R, T, A and L models
P. C. B. TUNER (Lead Type)



Lead Type
Semiconductor Location

Ref. No.	Location
D1	C3
D2	C3
D3	D3
IC1	B3
IC2	C4
IC3	C3
Q1	B4
Q2	B4
Q3	B4
Q4	B3
Q5	C3
Q6	D3
Q7	C4

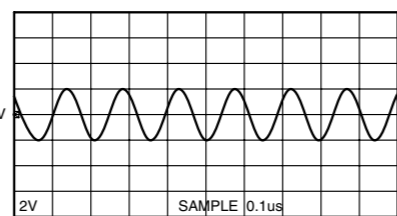
CIRCUIT CHANGES BY MARKET.

	J	U,C	R,T	A,B,G,L
R48	X	X	X	○
T3	X	X	X	○
J41	○	○	○	X
SW1	X	X	○	X
J42	X	X	○	X
R55	X	X	X	○
R57	X	X	X	○
R58	X	X	X	○
R60	X	X	X	○

○:USED X:NOT USED

Point ① (Pin22 of IC2)

V: 2V/div H: 0.1μsec/div DC range 1:1 probe

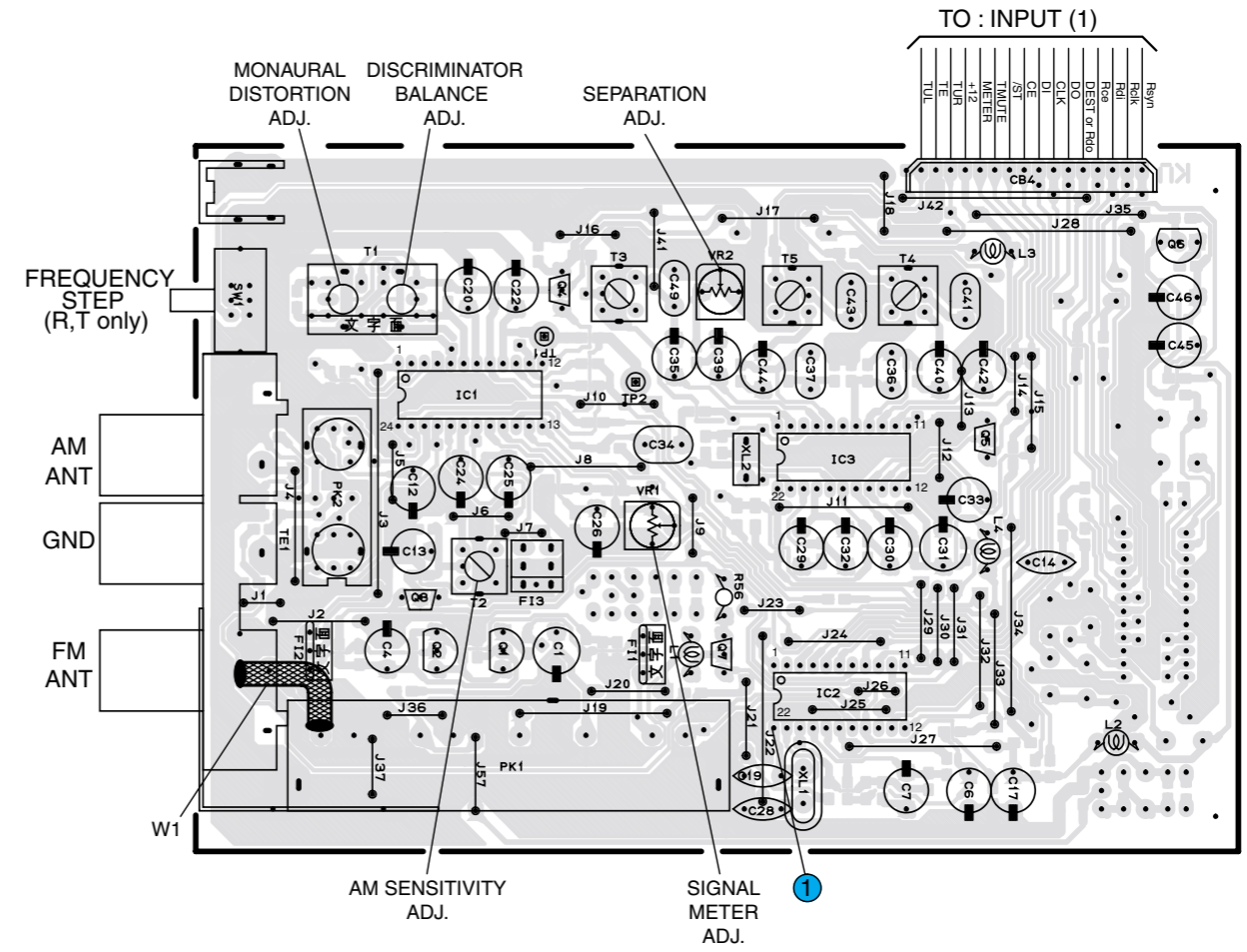


Lead Type & SMD

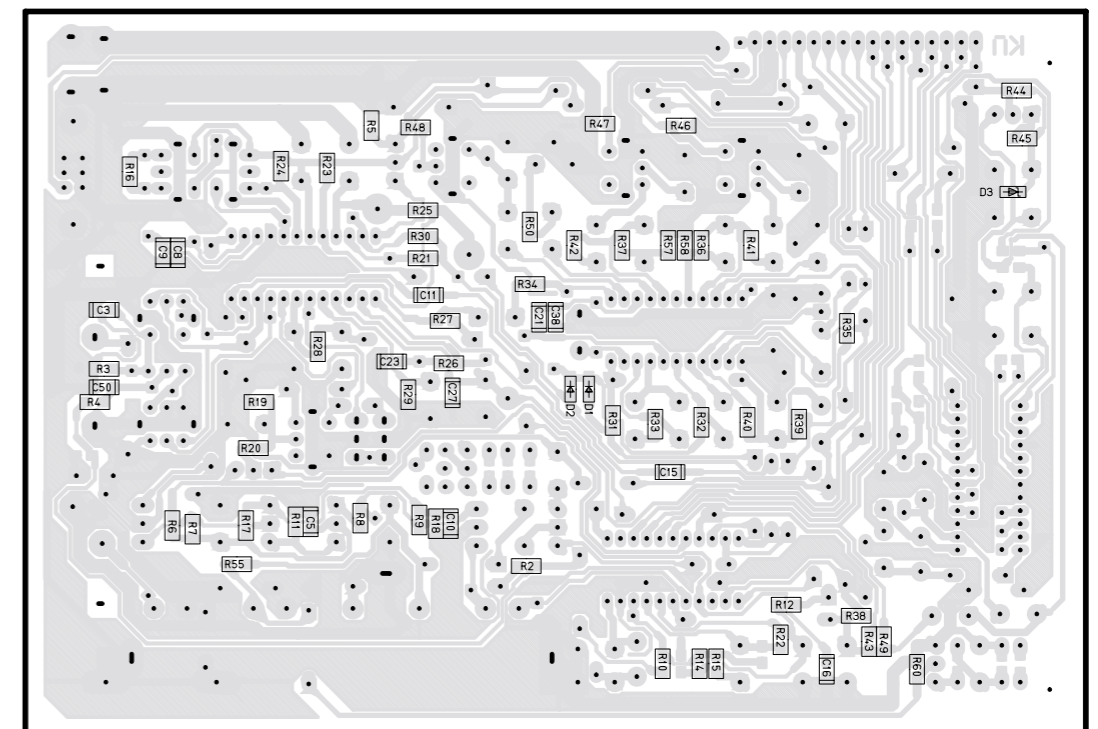
Semiconductor Location

Ref. No.	Location
D1	G5
D2	G5
D3	H4
IC1	F2
IC2	G3
IC3	G2
Q1	F3
Q2	F3
Q3	F3
Q4	F2
Q5	G2
Q6	H2
Q7	G3

J, U, C, R, T, A and L models
P. C. B. TUNER (Lead Type & SMD)
(Lead Type Device)



(Surface Mount Device)



■ PRINTED CIRCUIT BOARD (Foil side)

● J, U, C, A, B, G and L models

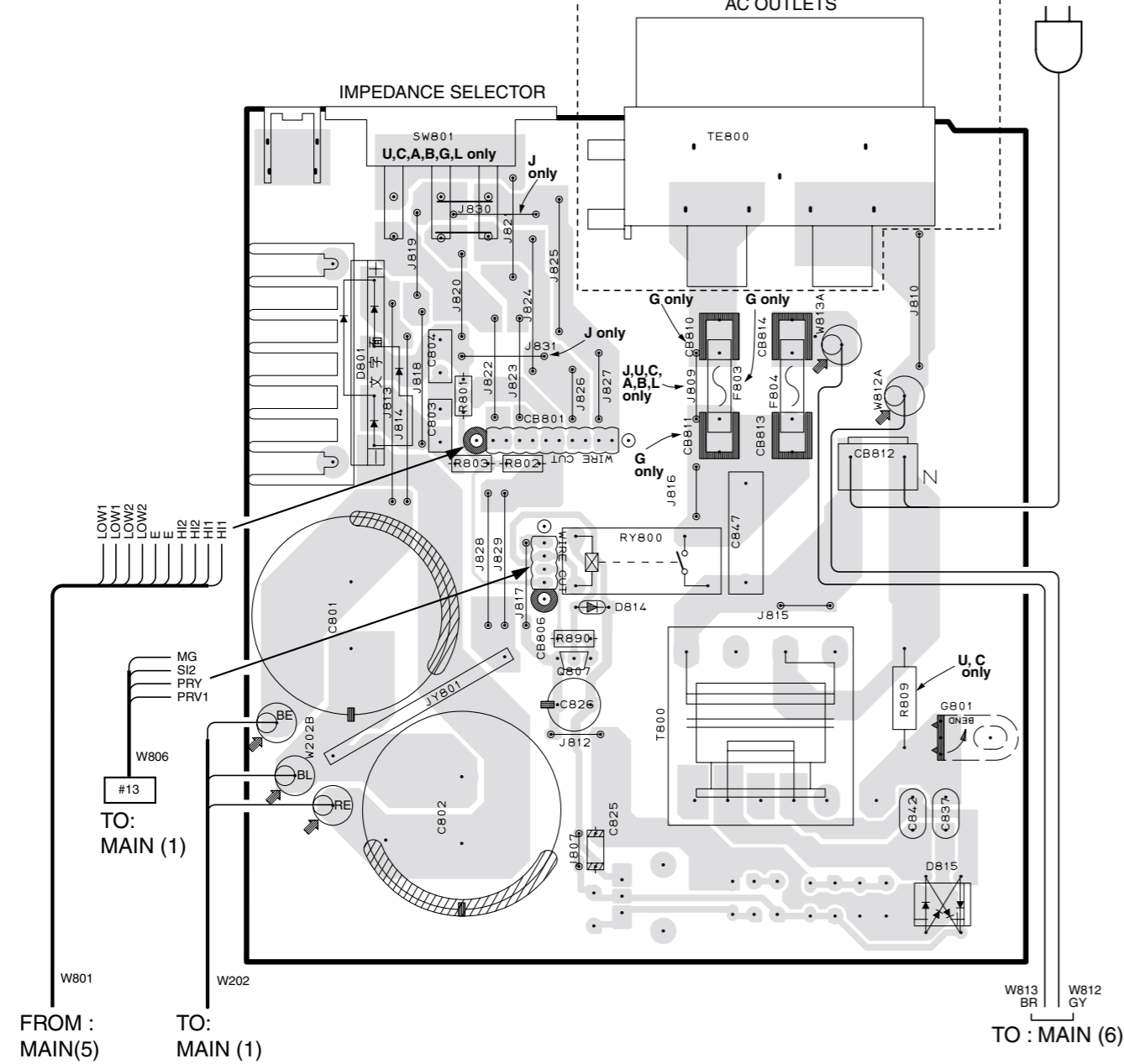
P. C. B. MAIN (2)

● Semiconductor Location
J,U,C,A,B,G,L models

Ref. No.	Location
D801	B3
D814	C4
D815	D5
Q807	B4

SWITCHED
100W MAX. TOTAL
AC OUTLETS
J,U,C
models

SWITCHED
100W MAX. (A,B models)
100W MAX. TOTAL (G,L models)
AC OUTLETS
A,B,G,L
models

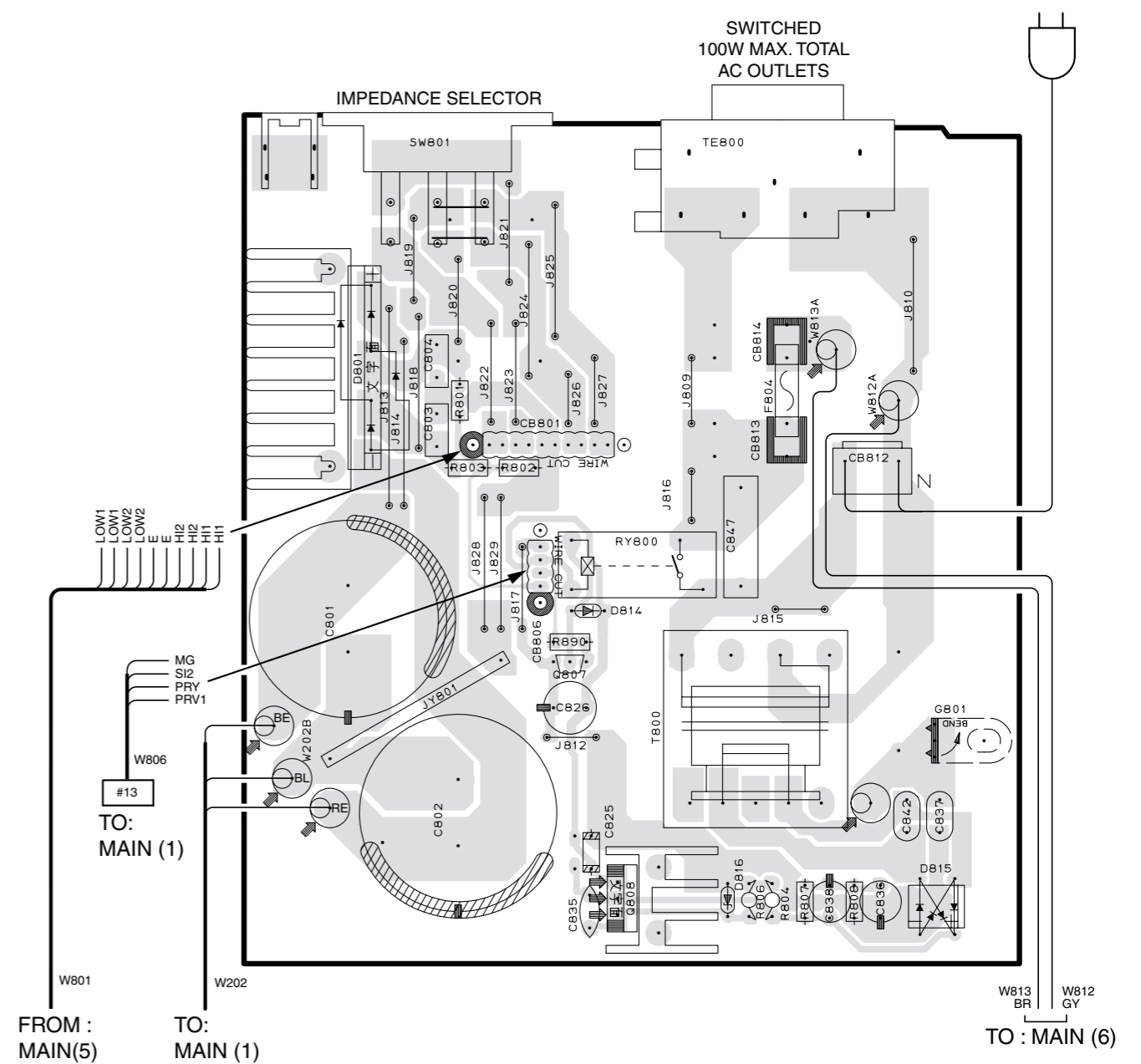


● R and T models only

P. C. B. MAIN (2)

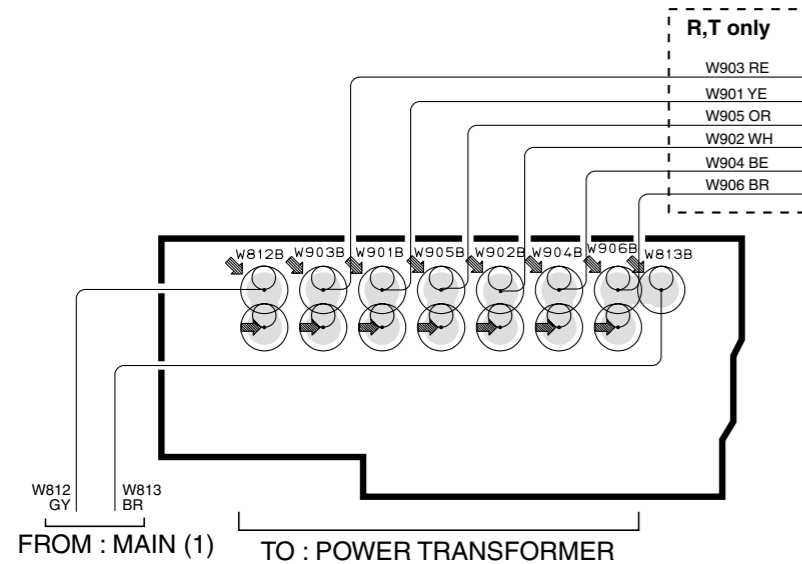
● Semiconductor Location
R,T models

Ref. No.	Location
D801	F3
D814	F4
D815	G5
D816	G5
Q807	F4
Q808	G5

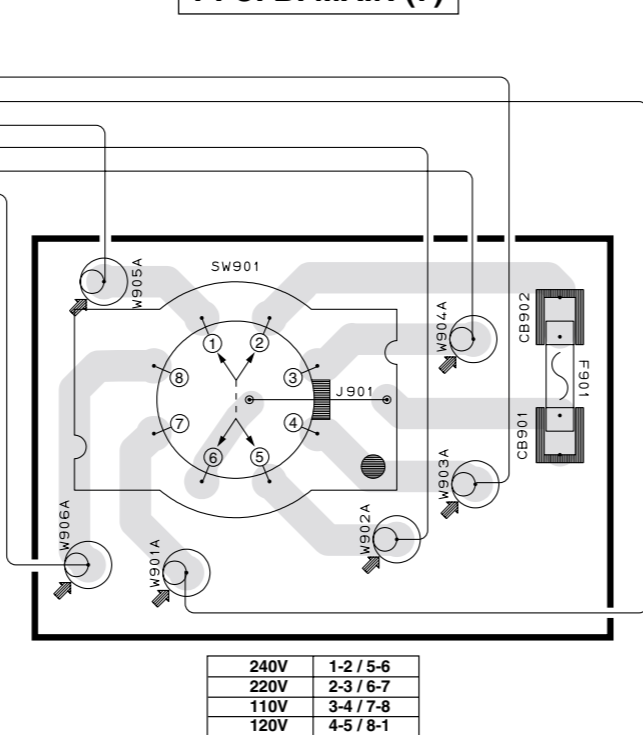


■ PRINTED CIRCUIT BOARD (Foil side)

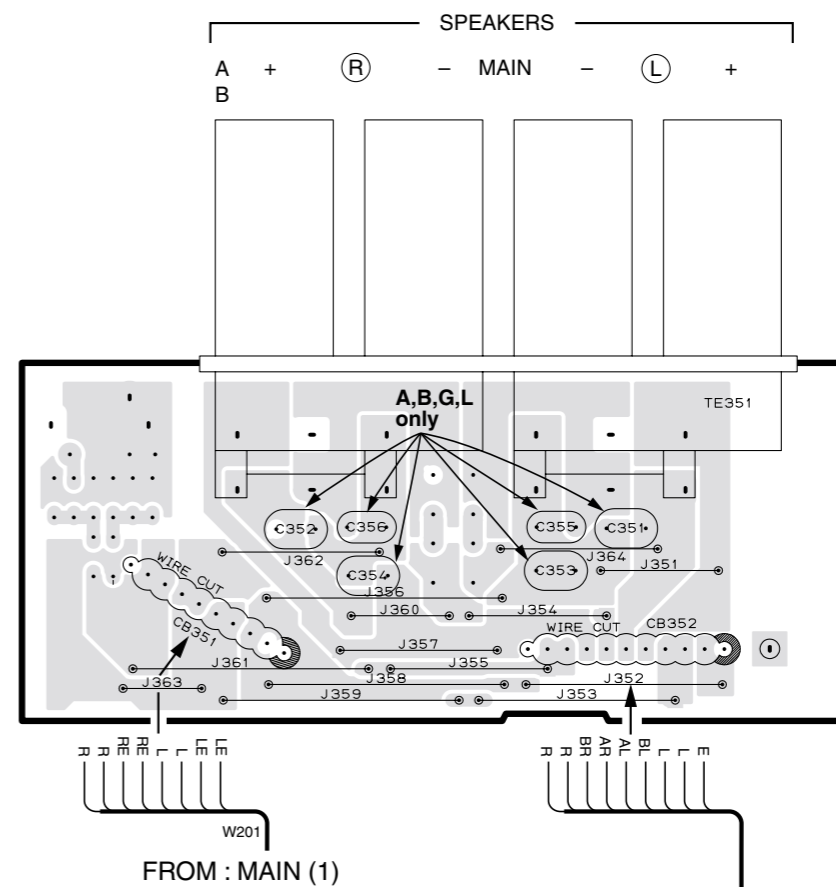
P. C. B. MAIN (6)



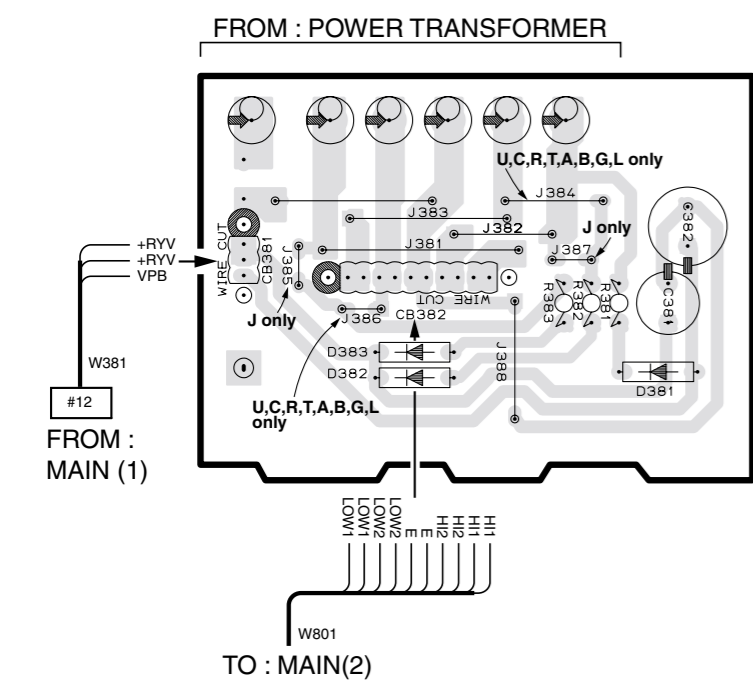
● R and T models only
P. C. B. MAIN (7)



P. C. B. MAIN (3)



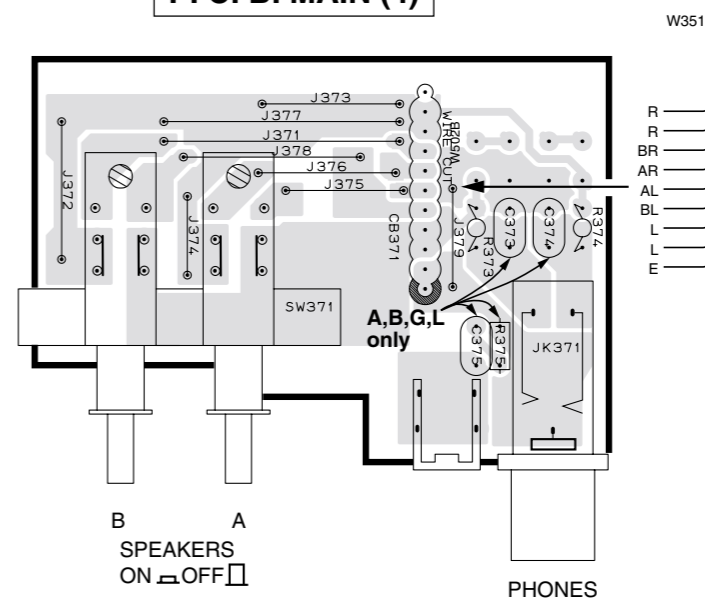
P. C. B. MAIN (5)



● Semiconductor Location

Ref. No.	Location
D381	B5
D382	B5
D383	B5

P. C. B. MAIN (4)



PRINTED CIRCUIT BOARD (Foil side)

P. C. B. MAIN (1)

FROM : OPERATION (4)

3

4

FROM : OPERATION (1)

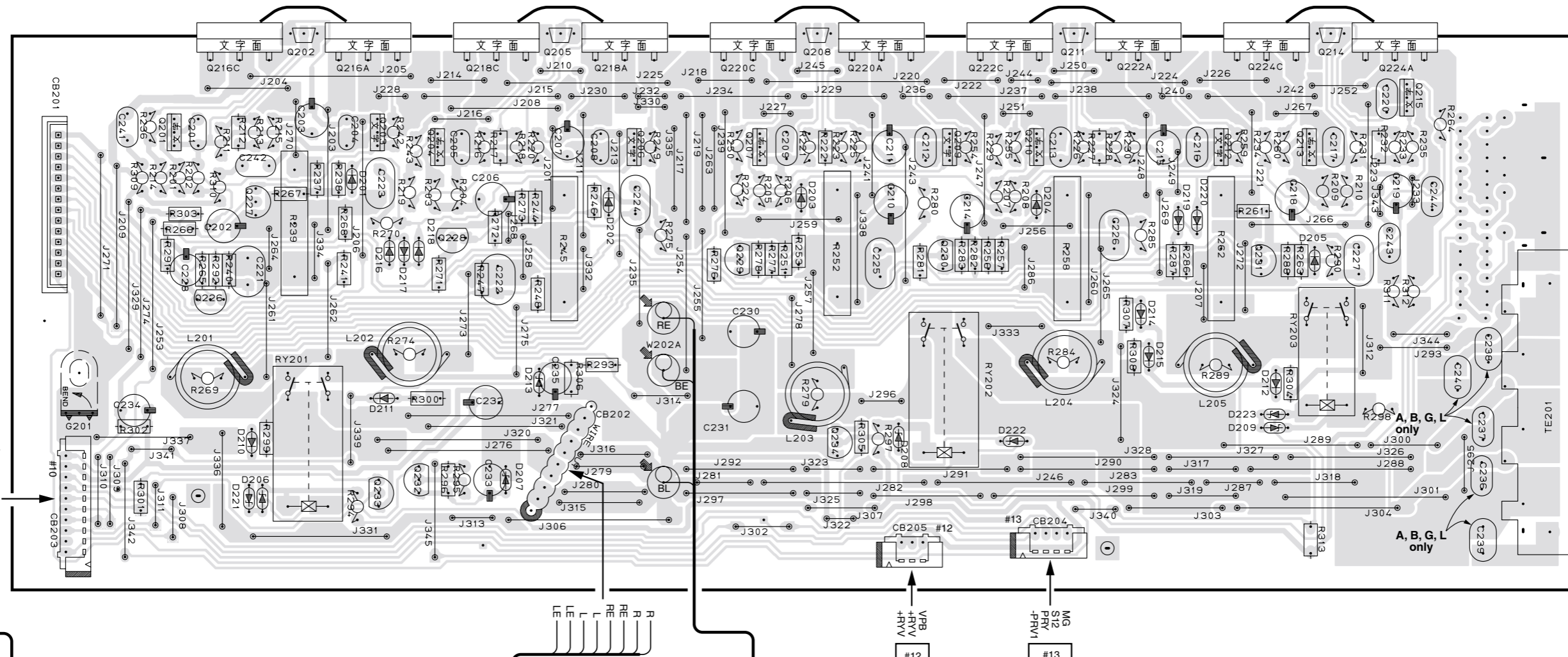
TO : MAIN (3)

FROM : MAIN (5)

TO : MAIN (5)

TO : MAIN (2)

SPEAKERS
CENTER REAR
(R) (SURROUND) (L)

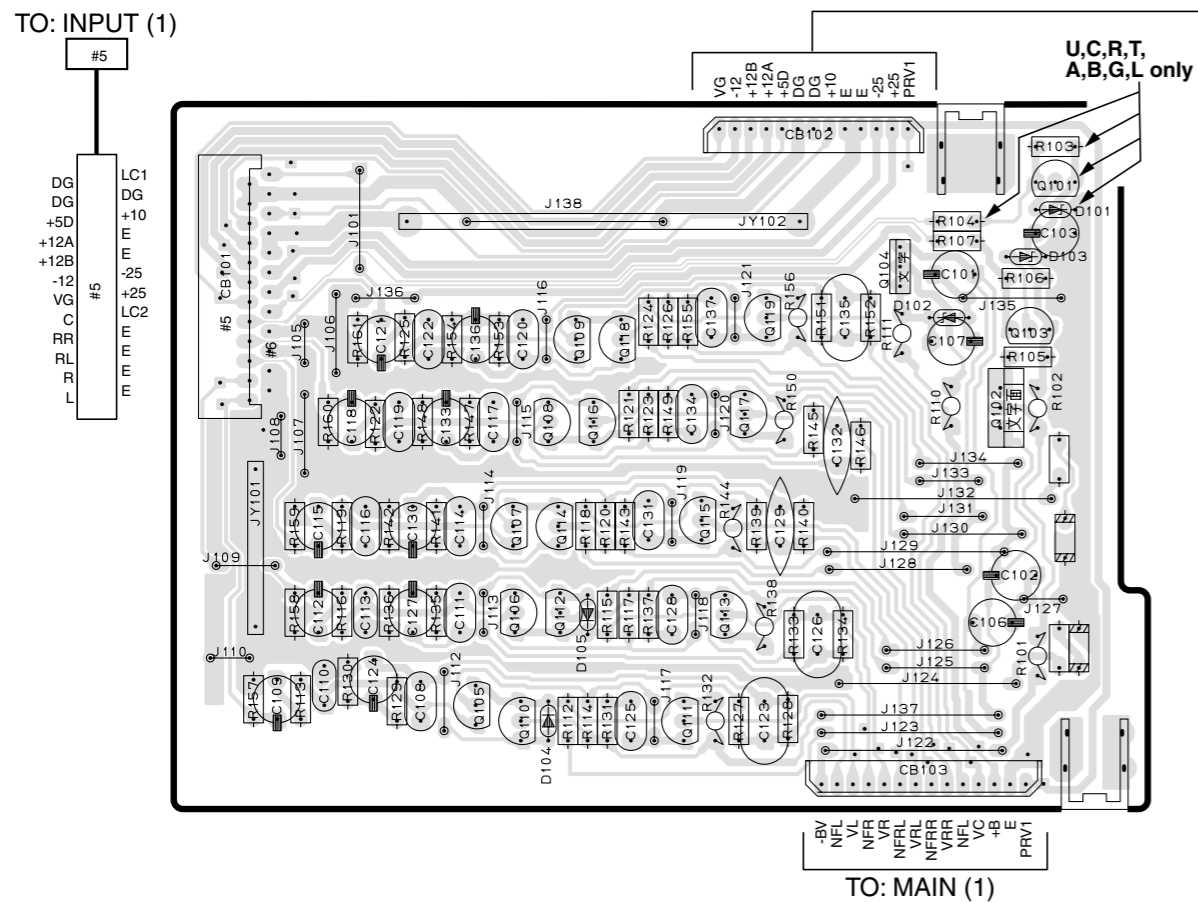


● Semiconductor Location

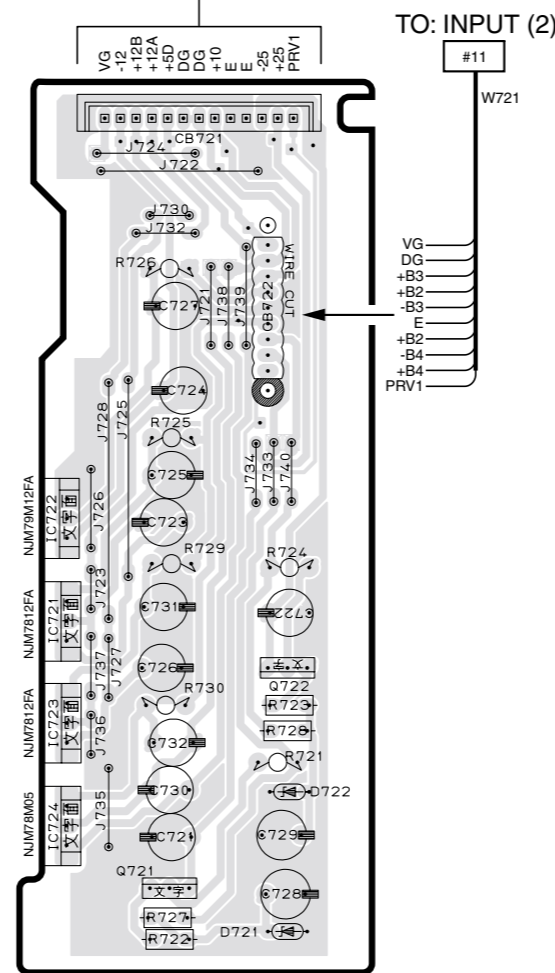
Ref. No.	Location	Ref. No.	Location	Ref. No.	Location	Ref. No.	Location	Ref. No.	Location
D201	B2	D213	C3	Q201	B2	Q213	F2	Q224C	F2
D202	C2	D214	F3	Q202	B2	Q214	F2	Q226	B3
D203	D2	D215	F3	Q203	C2	Q215	G2	Q227	B2
D204	E2	D216	C2	Q204	C2	Q216A	B2	Q228	C2
D205	F2	D217	C2	Q205	C2	Q216C	B2	Q229	D2
D206	B3	D218	C2	Q206	D2	Q218A	C2	Q230	E2
D207	C3	D219	F2	Q207	D2	Q218C	C2	Q231	F2
D208	E3	D220	F2	Q208	D2	Q220A	E2	Q232	C3
D209	F3	D221	B3	Q209	E2	Q220C	D2	Q233	C3
D210	B3	D222	E3	Q210	E2	Q222A	F2	Q234	D3
D211	C3	D223	F3	Q211	E2	Q222C	E2		
D212	F3			Q212	F2	Q224A	G2		

PRINTED CIRCUIT BOARD (Foil side)

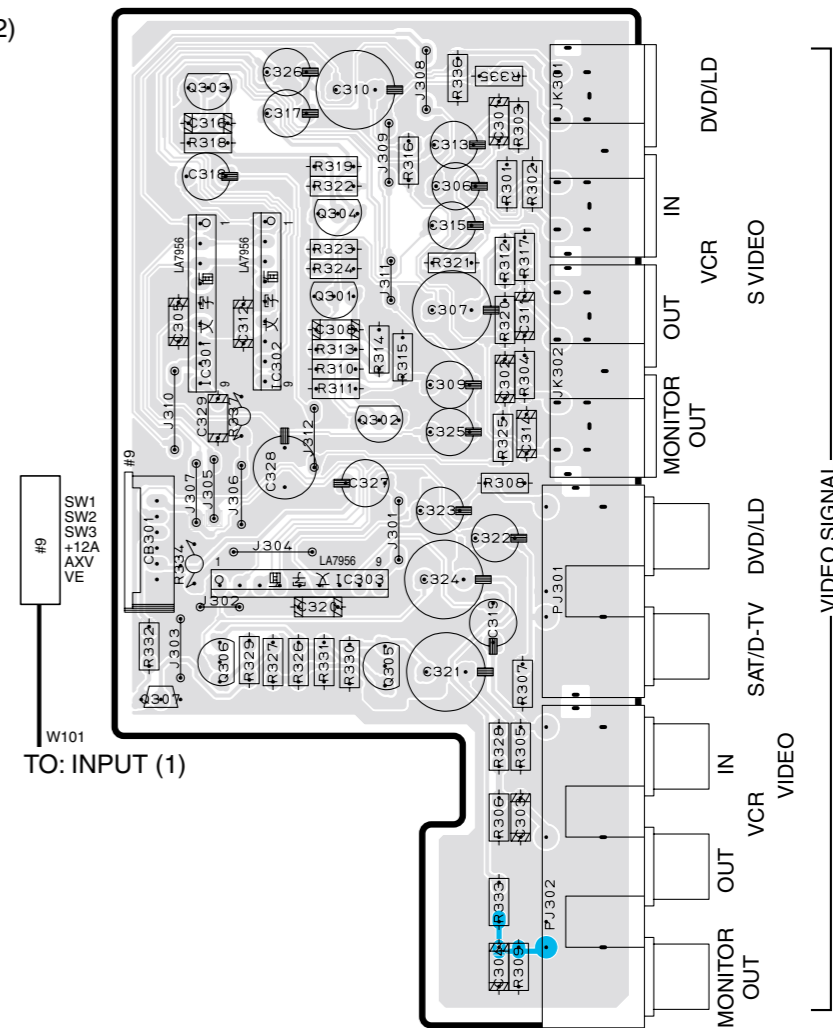
P. C. B. OPERATION (4)



P. C. B. OPERATION (5)



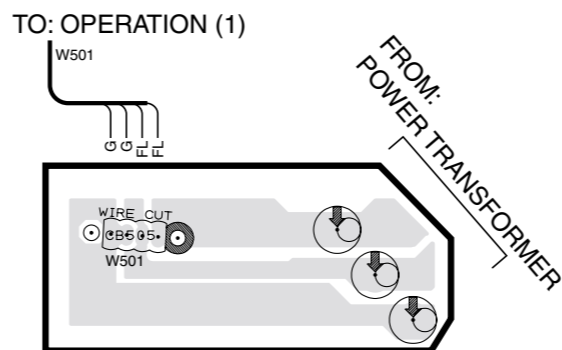
P. C. B. OPERATION (6)



● Semiconductor Location

Ref. No.	Location	Ref. No.	Location	Ref. No.	Location
D101	C2	Q101	C2	Q115	C3
D102	C2	Q102	C2	Q116	B2
D103	C2	Q103	C2	Q117	C2
D104	B3	Q104	C2	Q118	B2
D105	B3	Q105	B3	Q119	C2
D721	E4	Q106	B3	Q301	G2
D722	E3	Q107	B3	Q302	G2
IC301	F2	Q108	B2	Q303	F2
IC302	G2	Q109	B2	Q304	G2
IC303	G3	Q110	B3	Q305	G3
IC721	E3	Q111	B3	Q306	F3
IC722	E3	Q112	B3	Q307	F3
IC723	E3	Q113	C3	Q721	E4
IC724	E3	Q114	B3	Q722	E3

P. C. B. OPERATION (7)



PRINTED CIRCUIT BOARD (Foil side)

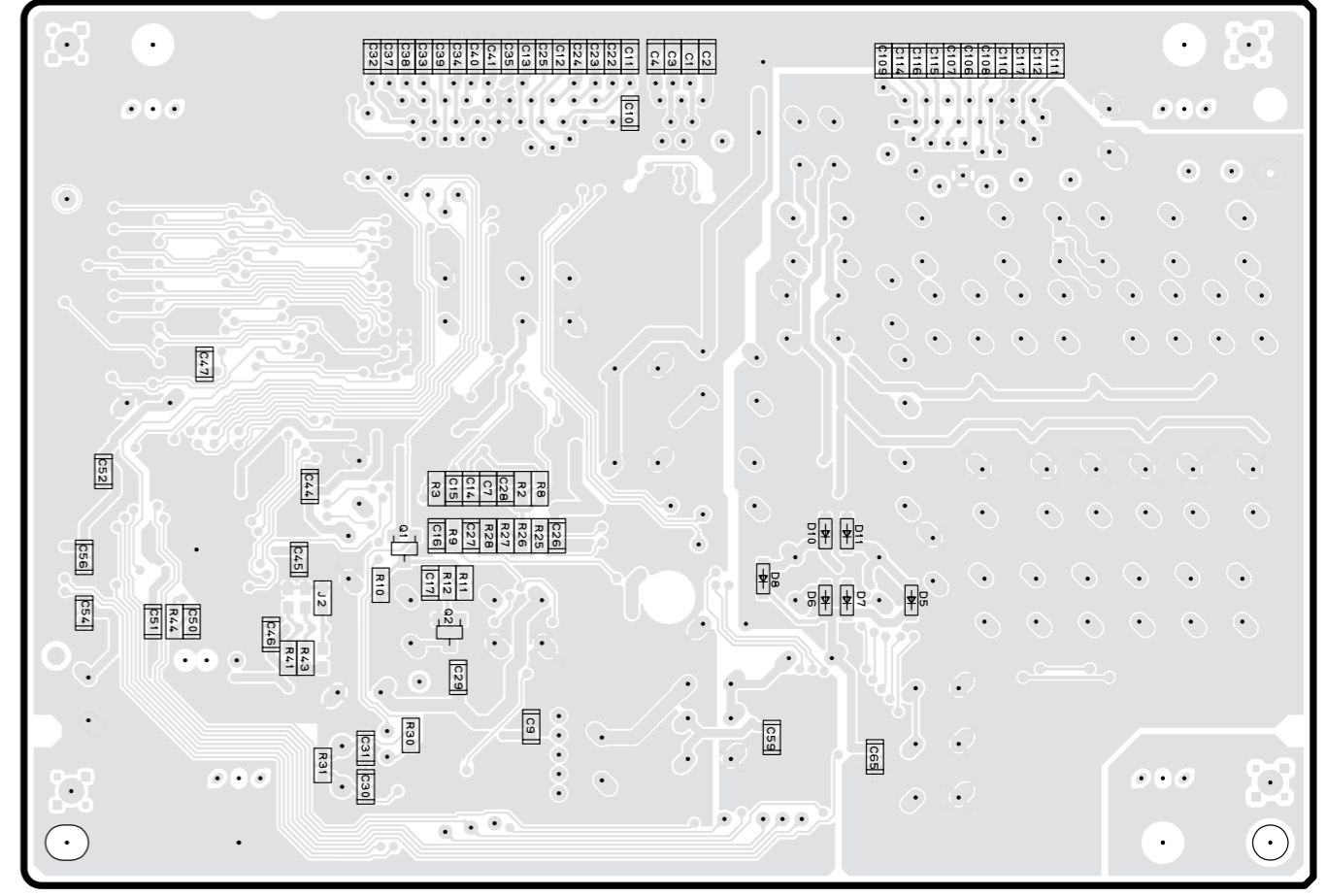
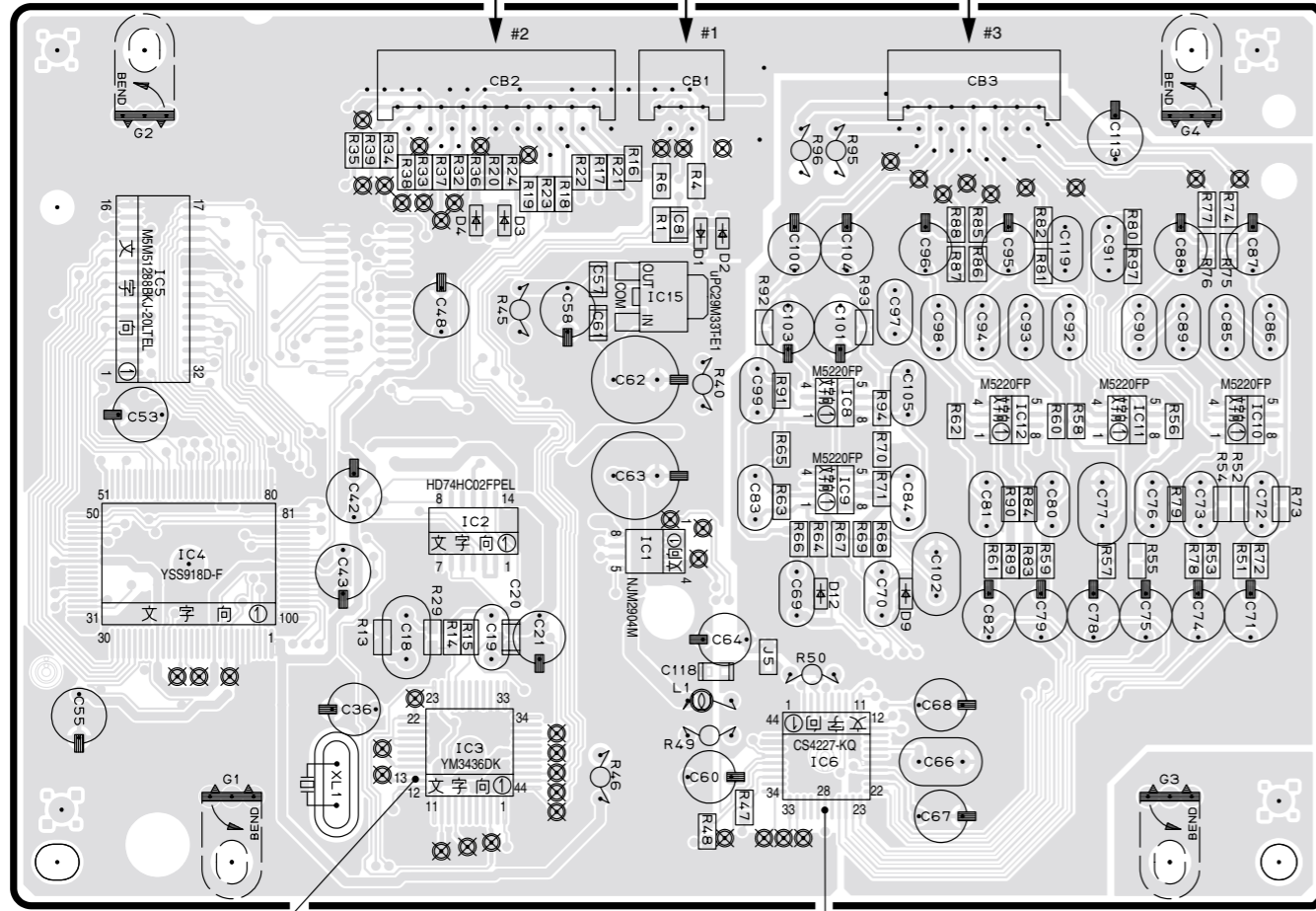
P. C. B. DSP

P. C. B. DSP

TO: INPUT (1) #2

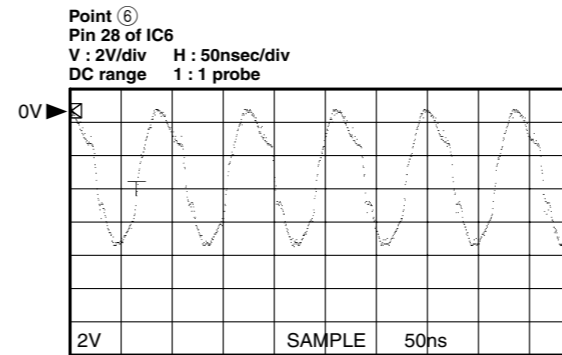
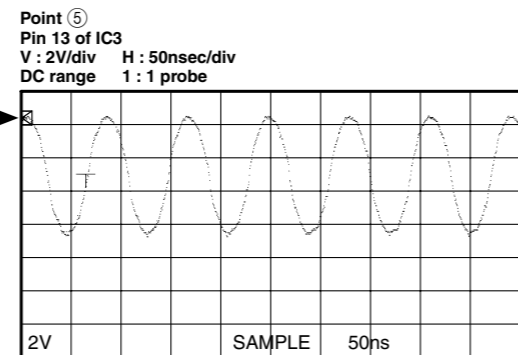
TO: INPUT (3) #1

TO: INPUT (1) #3



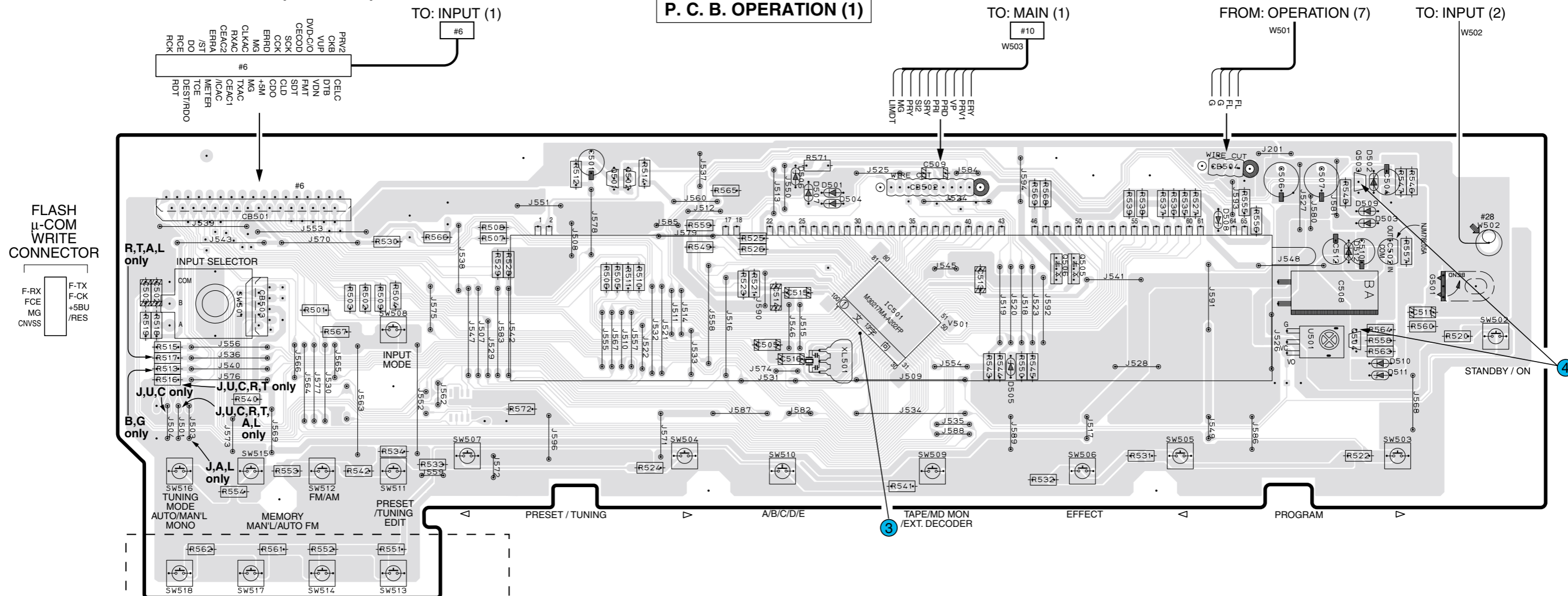
Semiconductor Location

Ref. No.	Location	Ref. No.	Location	Ref. No.	Location
D1	C3	IC1	B3	Q1	F3
D2	C3	IC2	B3	Q2	F4
D3	B3	IC3	B4		
D4	B3	IC4	A3		
D5	G4	IC5	A3		
D6	G4	IC6	C4		
D7	G4	IC8	C3		
D8	G3	IC9	C3		
D9	C4	IC10	D3		
D10	G3	IC11	D3		
D11	G3	IC12	C3		
D12	C4	IC15	B3		



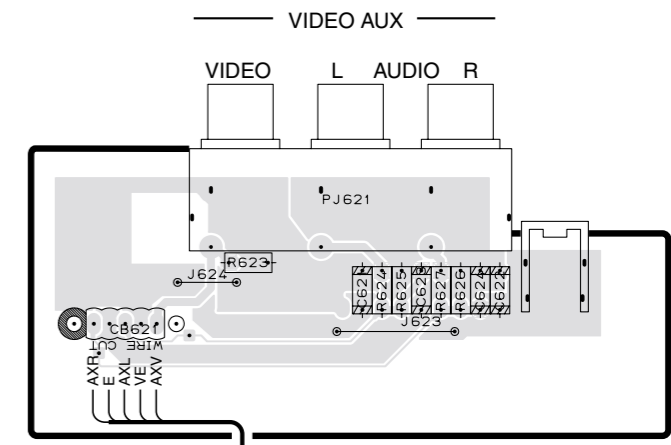
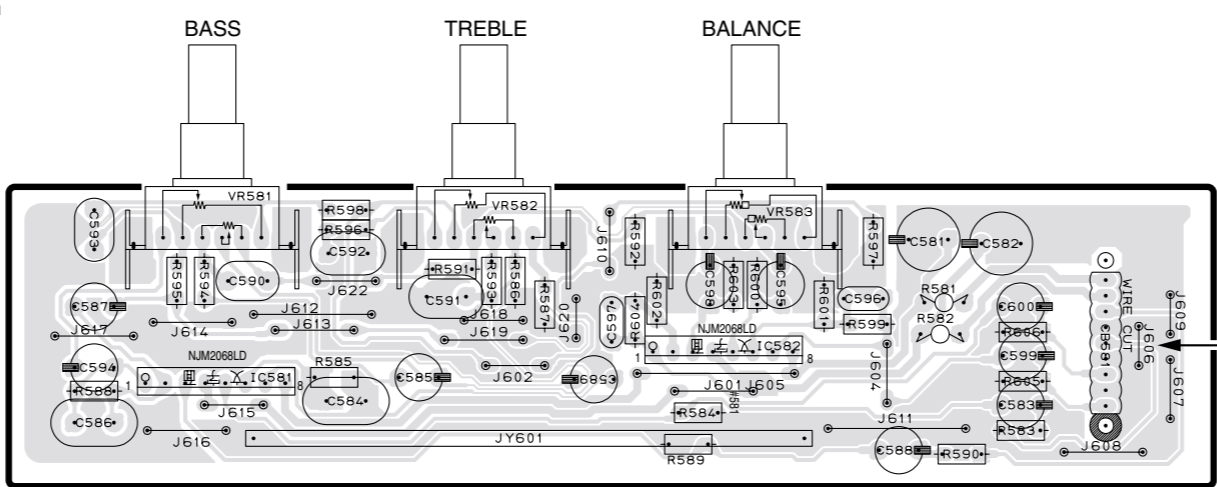
PRINTED CIRCUIT BOARD (Foil side)

P. C. B. OPERATION (1)



P. C. B. OPERATION (2)

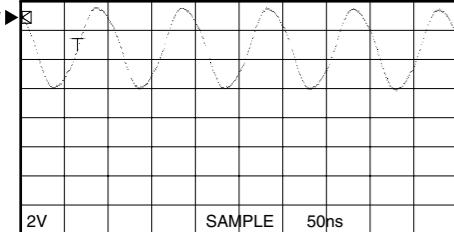
P. C. B. OPERATION (3)



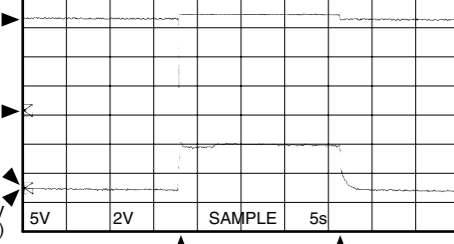
Semiconductor Location

Ref. No.	Location
D501	E2
D502	G2
D503	G2
D504	E2
D505	F3
D506	E2
D507	E2
D508	G2
D509	G2
D510	G3
D511	G3
D512	G2
IC501	E2
IC502	G2
IC581	D5
IC582	E5
Q501	D2
Q502	D2
Q503	G2
Q504	G3
Q505	F2
Q506	F2

Point ③
(Pin 13 of IC501)
V : 2V/div H : 50nsec/div
DC range 1 : 1 probe

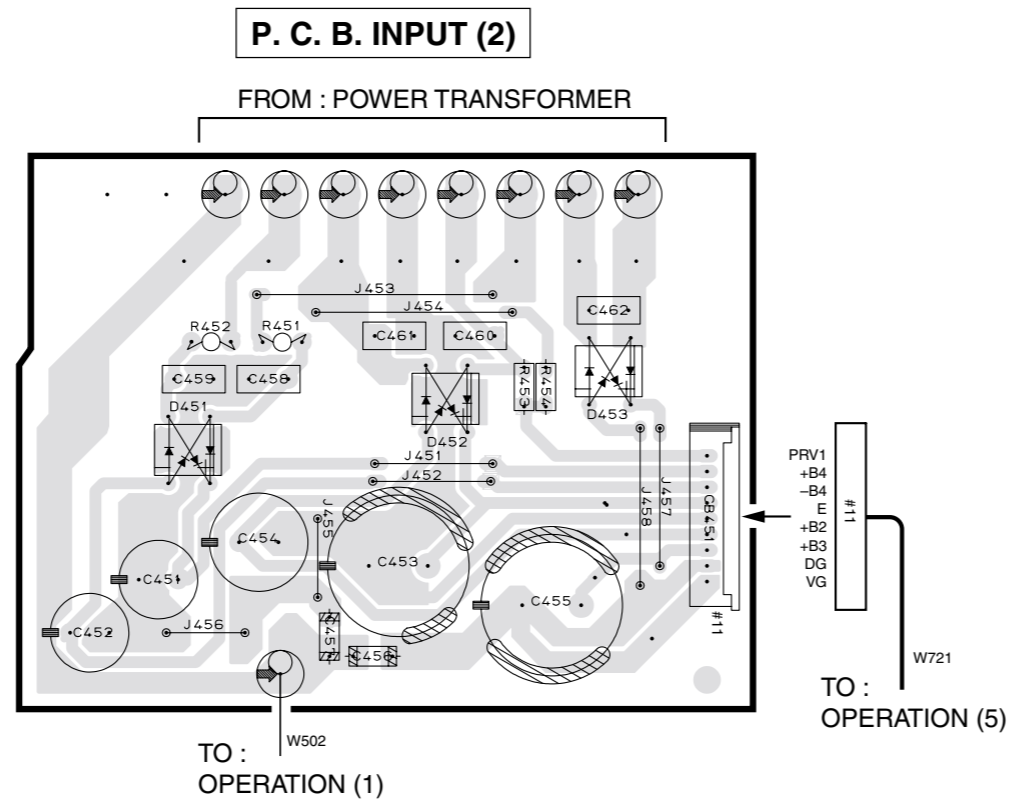
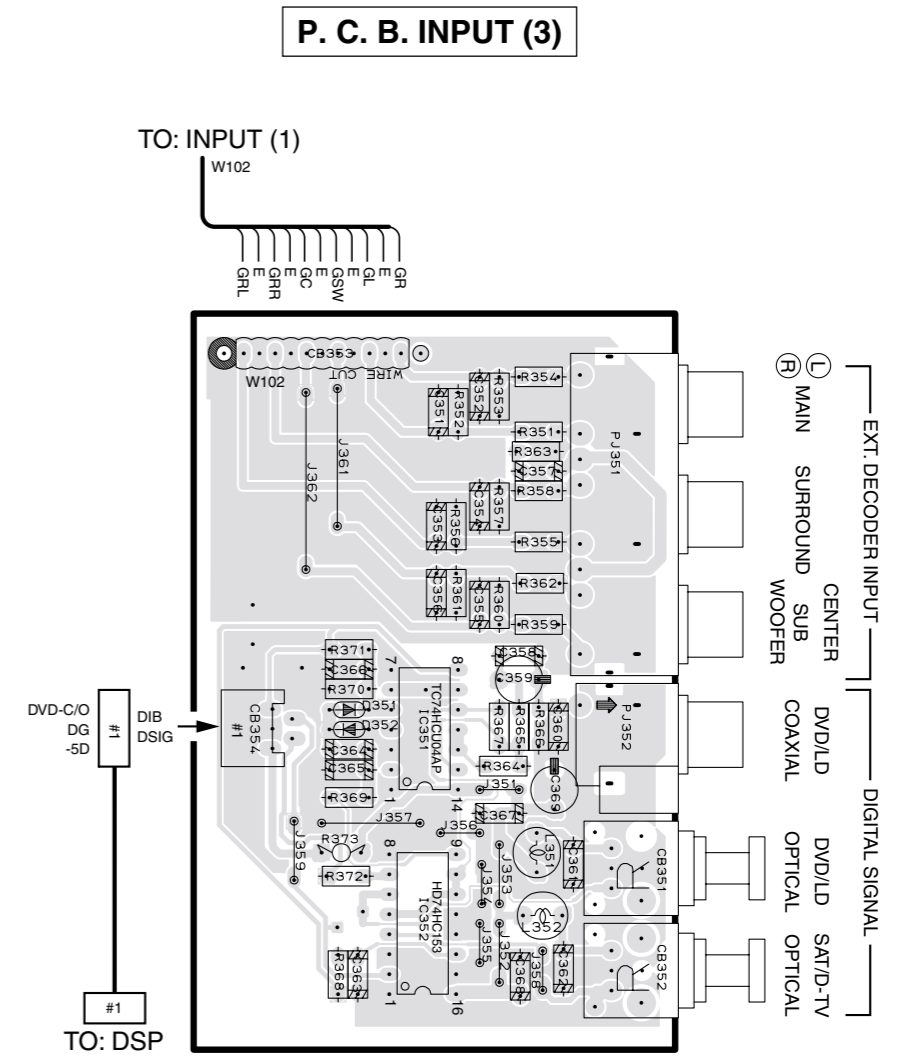
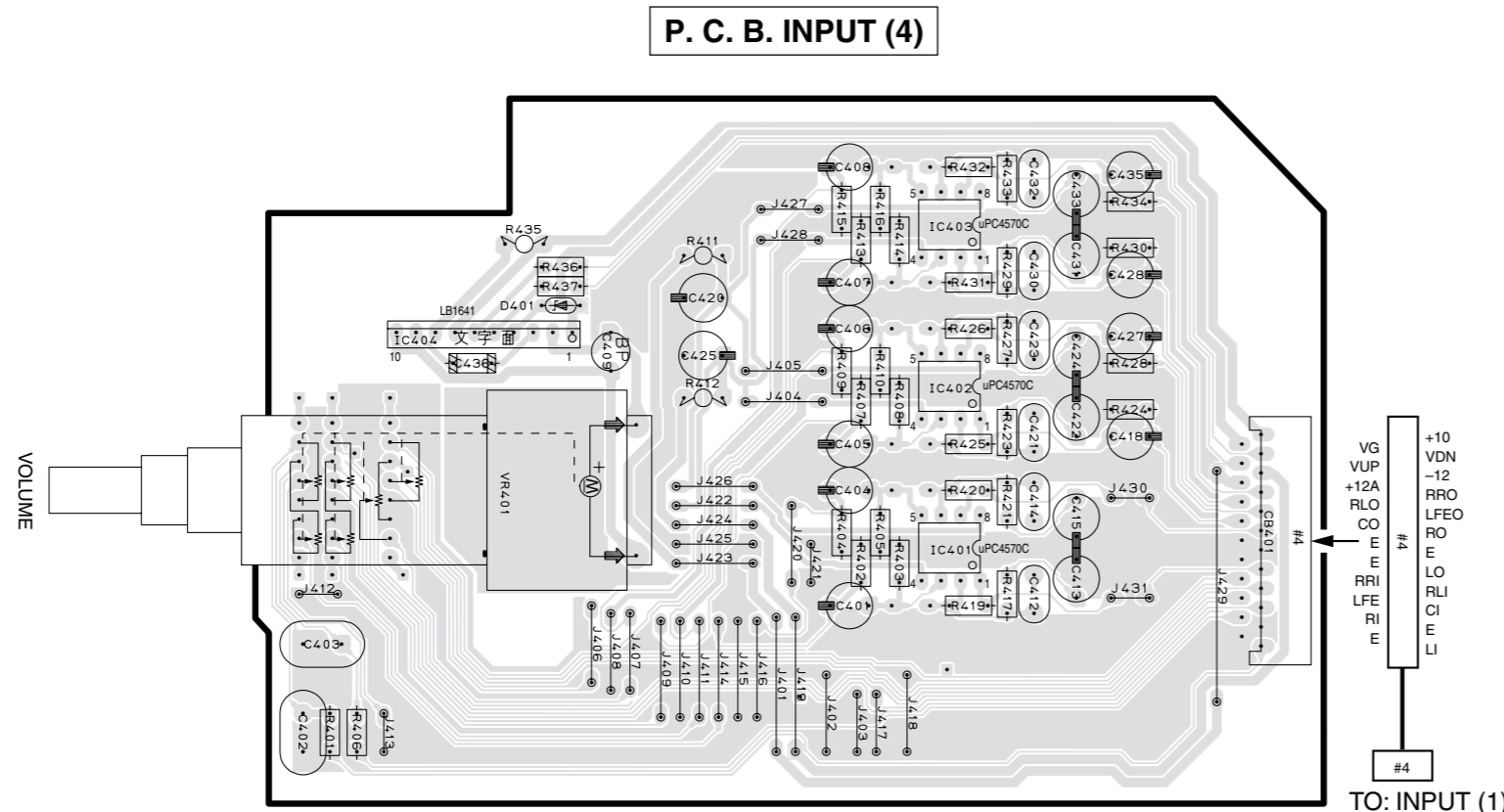


Point ④
(CH1 : Emitter of Q504)
(CH2 : Collector of Q503)
V : 5V or 2V/div H : 5sec/div
DC range 1 : 1 probe



With the POWER switch turned ON, connect the power cord to the AC outlet.
Disconnect the power cord from the AC outlet.
(This waveform is not available by pushing the power switch ON and OFF.)

PRINTED CIRCUIT BOARD (Foil side)



● Semiconductor Location

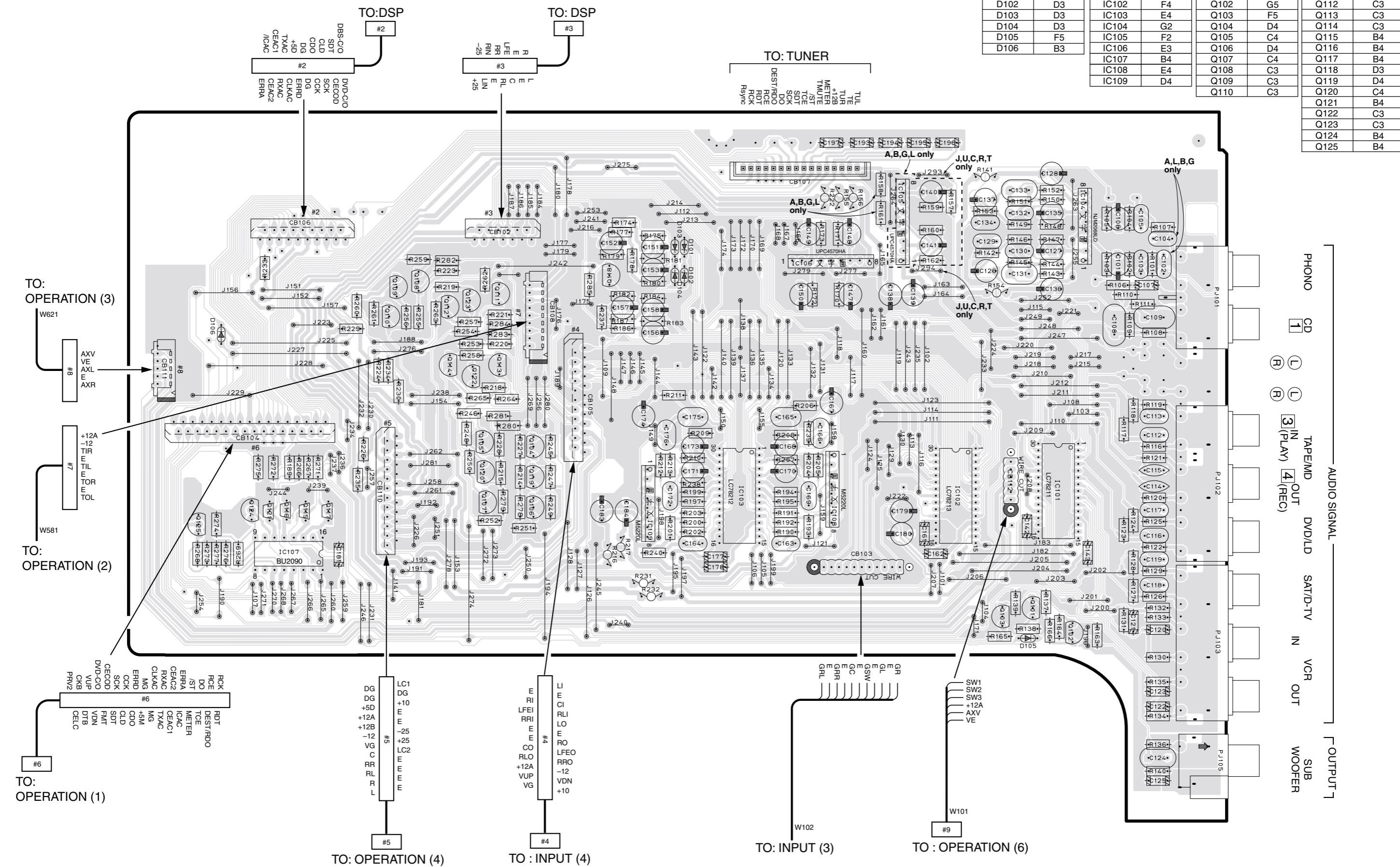
Ref. No.	Location	Ref. No.	Location
D351	F3	IC351	G3
D352	F3	IC352	G4
D401	C2	IC401	D3
D451	C5	IC402	D2
D452	D5	IC403	D2
D453	D5	IC404	B2

PRINTED CIRCUIT BOARD (Foil side)

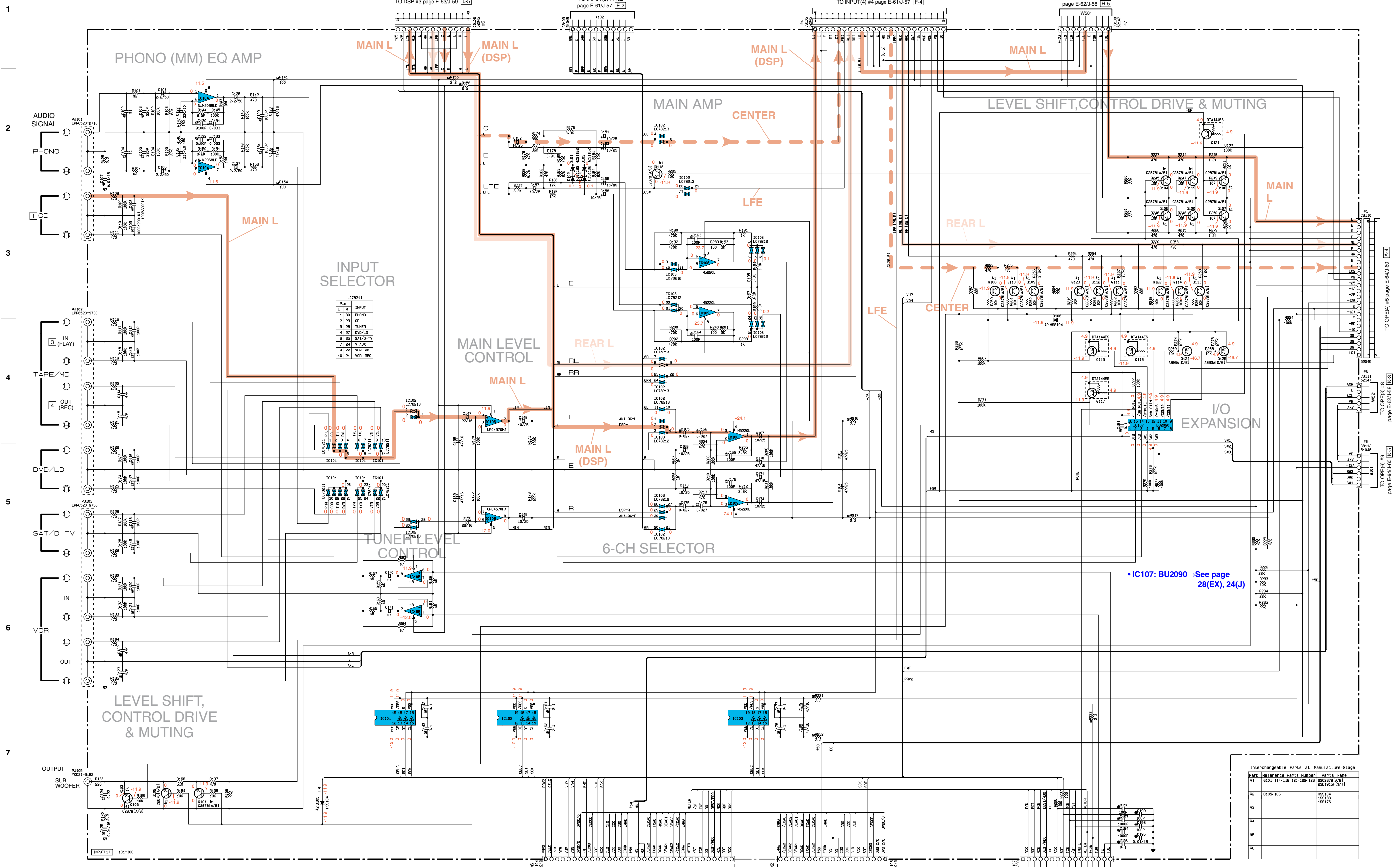
P. C. B. INPUT (1)

● Semiconductor Location

Ref. No.	Location	Ref. No.	Location	Ref. No.	Location	Ref. No.	Location
D101	D3	IC101	G4	Q101	F5	Q111	C3
D102	D3	IC102	F4	Q102	G5	Q112	C3
D103	D3	IC103	E4	Q103	F5	Q113	C3
D104	D3	IC104	G2	Q104	D4	Q114	C3
D105	F5	IC105	F2	Q105	C4	Q115	B4
D106	B3	IC106	E3	Q106	D4	Q116	B4
		IC107	B4	Q107	C4	Q117	B4
		IC108	E4	Q108	C3	Q118	D3
		IC109	D4	Q109	C3	Q119	D4
				Q110	C3	Q120	C4
						Q121	B4
						Q122	C3
						Q123	C3
						Q124	B4
						Q125	B4



■ SCHEMATIC DIAGRAM [INPUT (1/2)]



NOTICE (mode1)

REMARKS	RESISTOR	PARTS NAME	REMARKS	CAPACITOR	PARTS NAME
(J)..... JAPANESE	NO MARK	CARBON FILM RESISTOR (P=5)	NO MARK	NO MARK	ELECTROLYTIC CAPACITOR
(U)..... U. S. A.	□	CARBON FILM RESISTOR (P=10)	□	□	TANTALUM CAPACITOR
(C)..... CANADIAN	△	METAL OXIDE FILM RESISTOR	○	○	NO MARK CERAMIC CAPACITOR
(R)..... GENERAL	◇	METAL FILM RESISTOR	●	●	CERAMIC TUBULAR CAPACITOR
(A)..... AUSTRALIAN	○	METAL PLATE RESISTOR	○	○	POLYESTER FILM CAPACITOR
(B)..... BRITISH	□	FIRE PROOF CARBON FILM RESISTOR	○	○	POLYSTYRENE FILM CAPACITOR
(G)..... EUROPEAN	◇	CEMENT MOLDED RESISTOR	○	○	MICA CAPACITOR
(T)..... CHINA	□	SEMI VARIABLE RESISTOR	○	○	POLYPROPYLENE FILM CAPACITOR
(L)..... SINGAPORE	■	CHIP RESISTOR	○	○	SEMICONDUCTIVE CERAMIC CAPACITOR

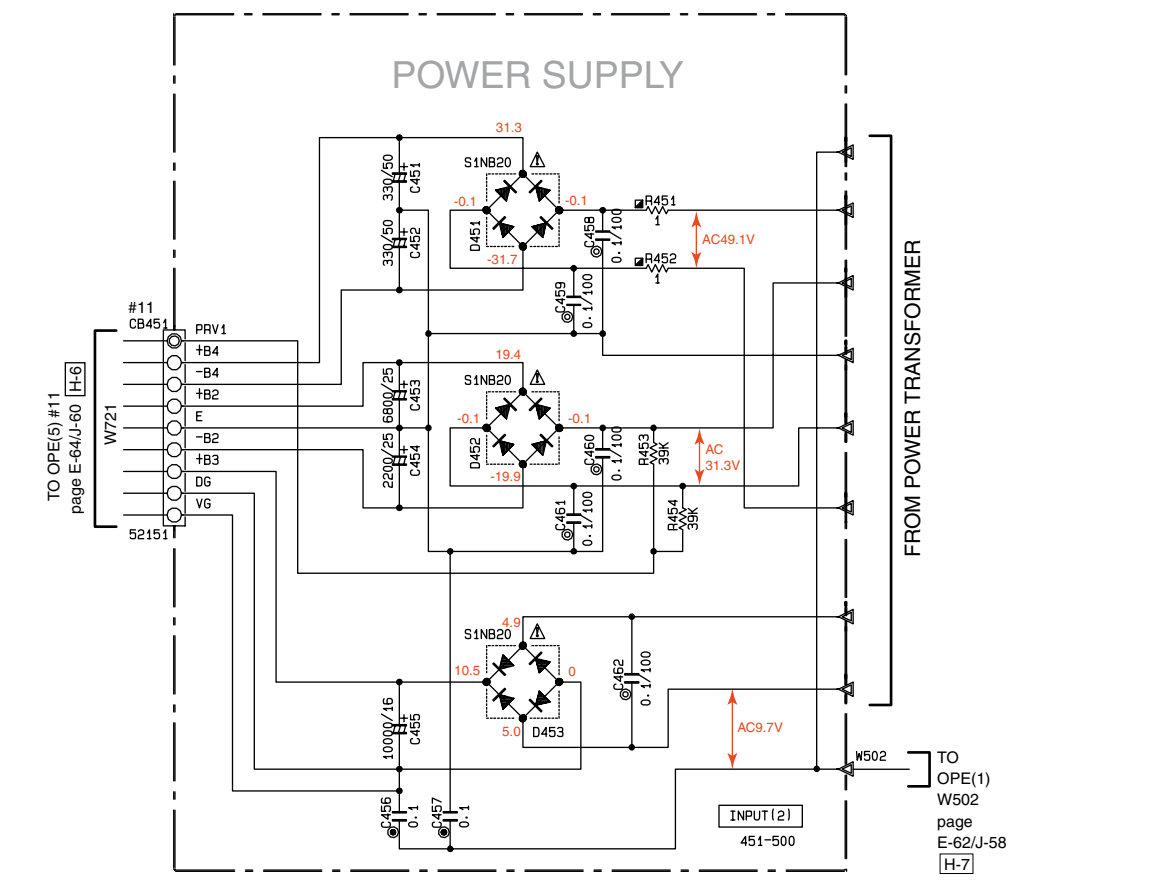
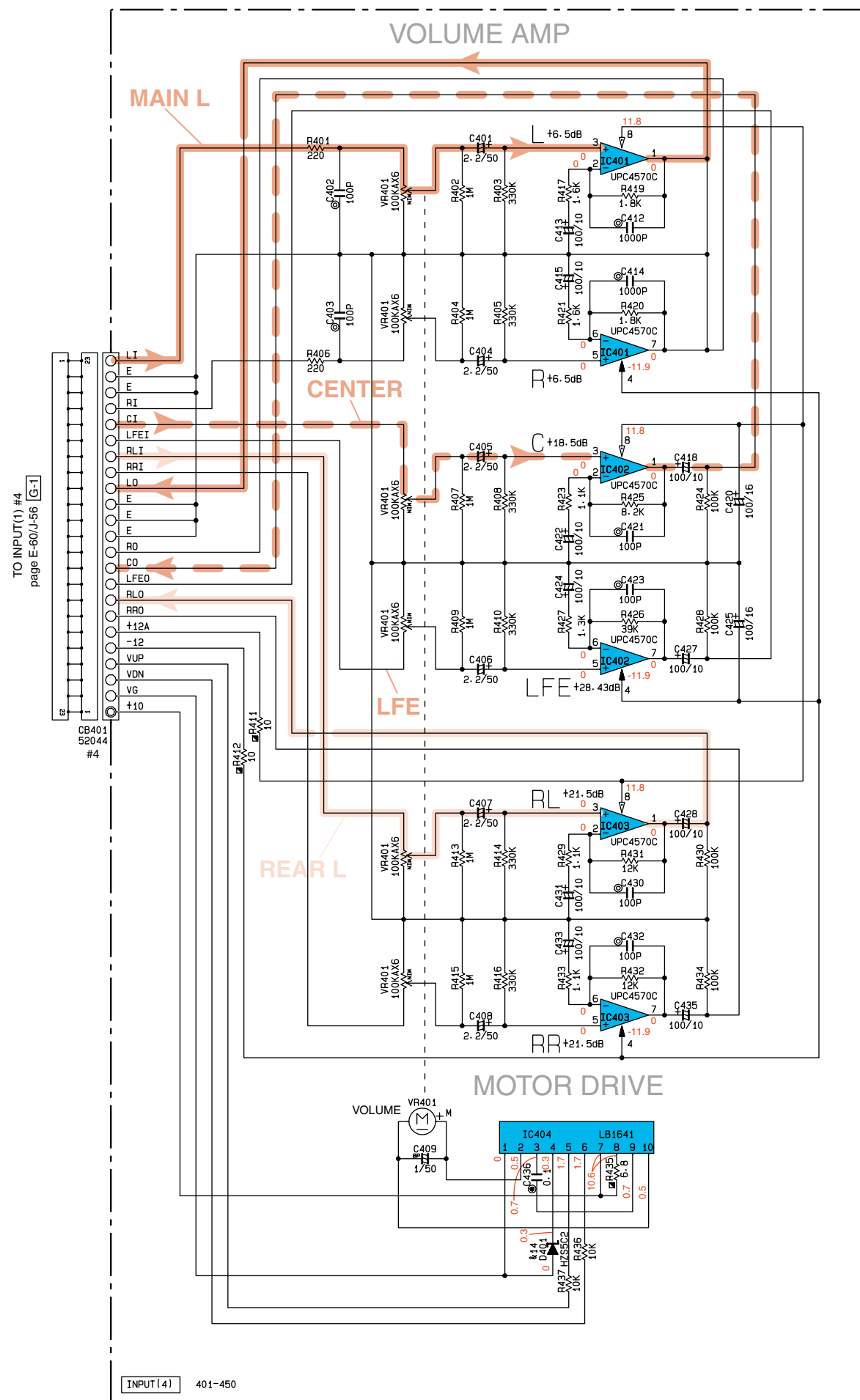
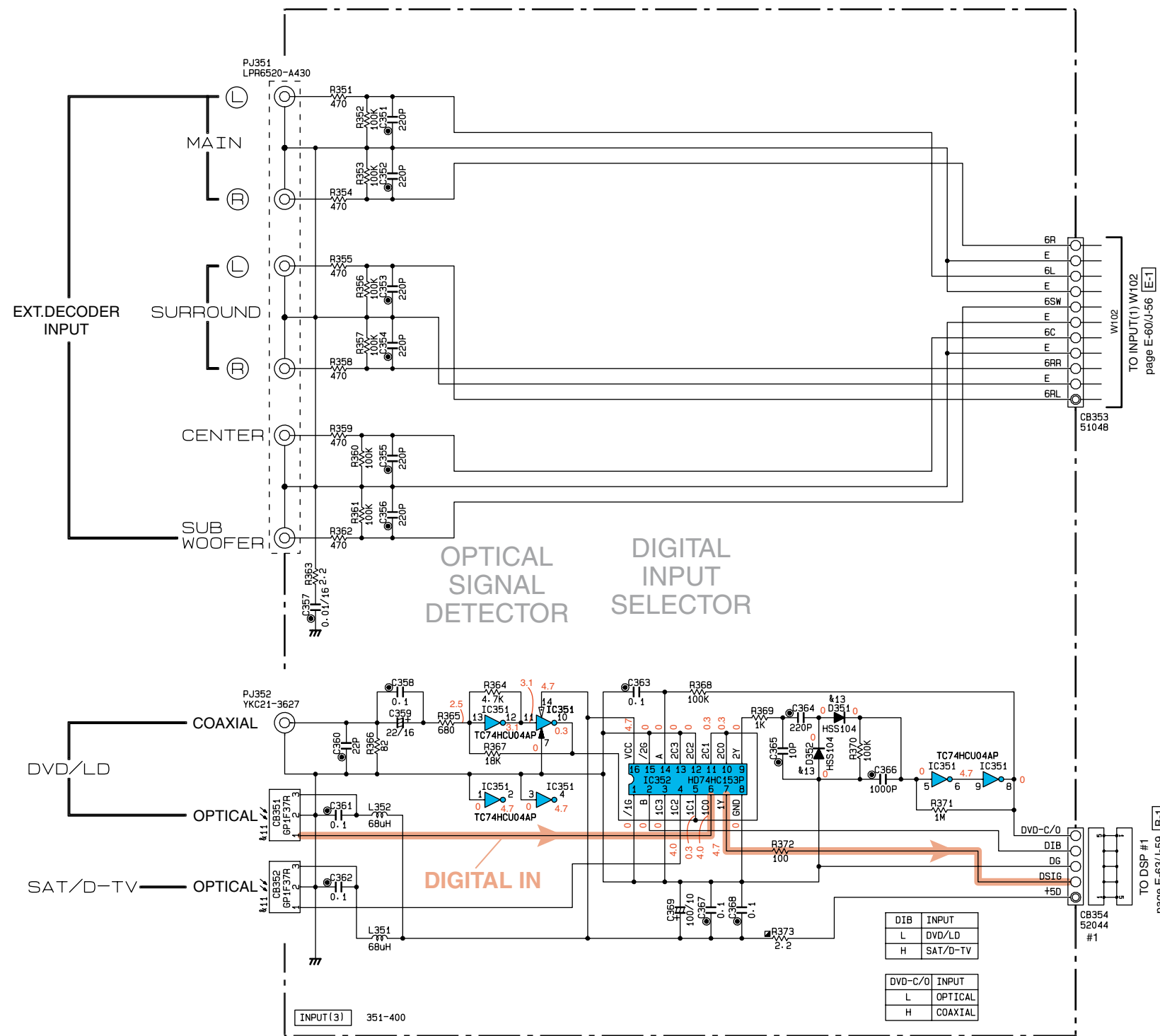
IC BLOCK	IC	U.C.R.T.	A.L.B.#
1	IC100-104	×	U48210
2	IC101-107	47	U48210
3	IC108	×	U48210
4	IC140-141	×	U48210
5	IC150-161	×	U48210
6	IC157-162	×	U48210
7	J999-294	×	U48210

IC BLOCK → See page E-61/J-57
PIN CONNECTION DIAGRAM → See page E-61/J-57

- Conditions (RX-V496RDS)
- INPUT → CD
 - VOLUME → minimum(∞)
 - IMPEDEANCE SELECTOR → Left
 - PRO LOGIC → On

* All voltages are measured with a 10MΩ/V DC electric volt meter.
* Components having special characteristics are marked △ and must be replaced with parts having specifications equal to those originally installed.
* Schematic diagram is subject to change without notice.

SCHEMATIC DIAGRAM [INPUT (2/2)]



NOTICE (model)
 (J)..... JAPANESE
 (U)..... U.S.A
 (C)..... CANADIAN
 (R)..... GENERAL
 (A)..... AUSTRALIAN
 (B)..... BRITISH
 (G)..... EUROPEAN
 (T)..... CHINA
 (L)..... SINGAPORE

Interchangeable Parts at Manufacture-Stage

Mark	Reference Parts Number	Parts Name
#11	C8351-352	6P1F37A TORX176A
#12		
#13	D351-352	HSS104 1SS133 1SS176
#14	D401	H259C2 M72.5-1B
#15		
#16		

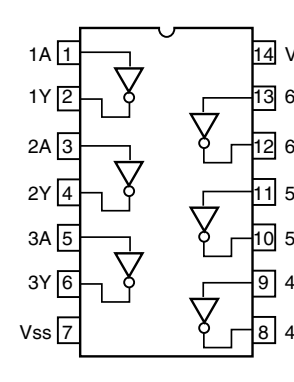
RESISTOR

REMARKS	PARTS NAME
NO MARK	CARBON FILM RESISTOR (P=5)
Z	CARBON FILM RESISTOR (P=10)
Δ	METAL OXIDE FILM RESISTOR
▲	METAL FILM RESISTOR
⊠	METAL PLATE RESISTOR
⊞	FIRE PROOF CARBON FILM RESISTOR
⊞	CEMENT MOLDED RESISTOR
⊞	SEMI VARIABLE RESISTOR
⊞	CHIP RESISTOR

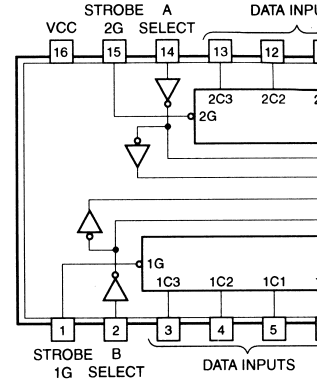
CAPACITOR

REMARKS	PARTS NAME
NO MARK	ELECTROLYTIC CAPACITOR
⊗	TANTALUM CAPACITOR
NO MARK	CERAMIC CAPACITOR
⊙	CERAMIC TUBULAR CAPACITOR
⊙	POLYESTER FILM CAPACITOR
○	POLYSTYRENE FILM CAPACITOR
⊖	MICA CAPACITOR
⊖	POLYPROPYLENE FILM CAPACITOR
⊖	SEMICONDUCTIVE CERAMIC CAPACITOR
⊖	POLYPHENYLENE SULFIDE FILM CAPACITOR

IC351: TC74HCU04AP Hex Inverters



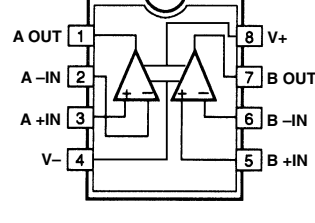
IC352: HD74HC153P Dual 4 to 1 Data Selectors



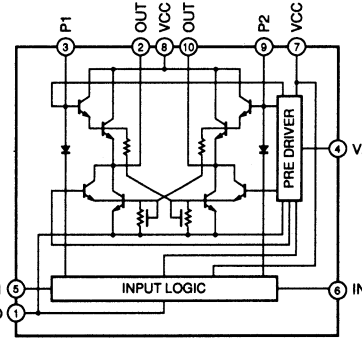
SELECT	STROBE	Y
B A	G	Y
X X	H	L
L L	L	C0
L H	L	C1
H L	L	C2
H H	L	C3

H: High Level
 L: Low Level
 X: Don't care

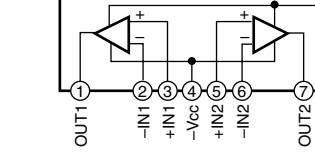
IC401-403: uPC4570C Dual OP-Amp



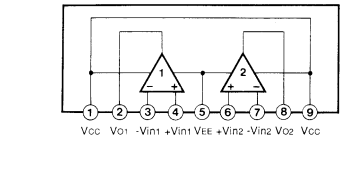
IC404: LB1641 Motor Driver



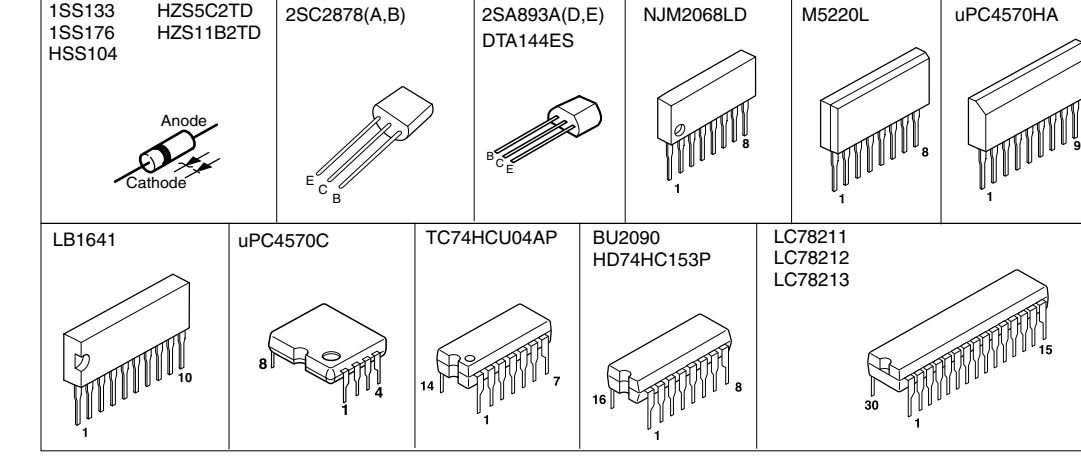
IC104: NJM2068LD IC108,109: M5220L Dual OP-Amp



IC105,106: uPC4570HA Dual OP-Amp



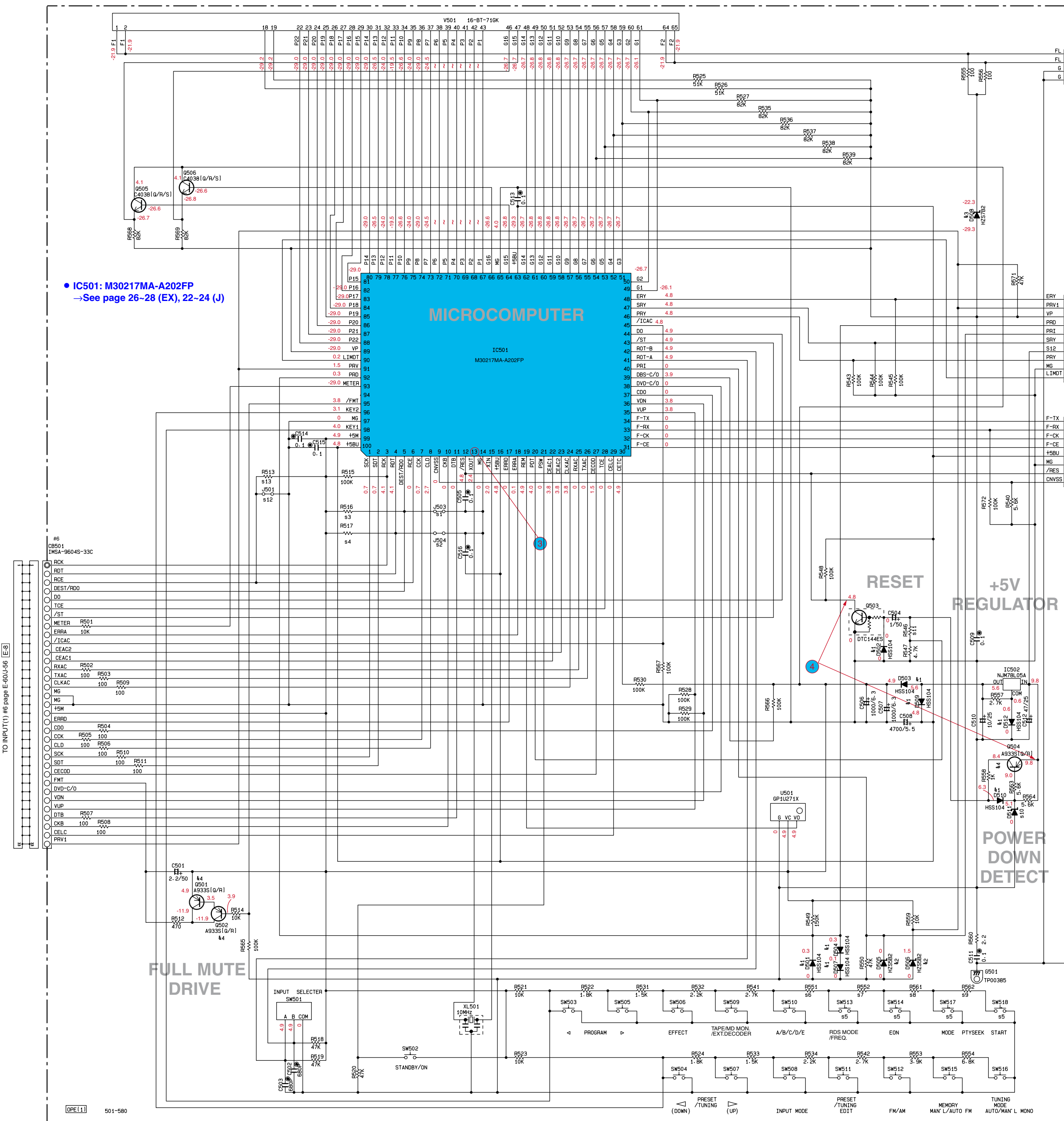
PIN CONNECTION DIAGRAM OF DIODES, TRANSISTORS AND IC's.



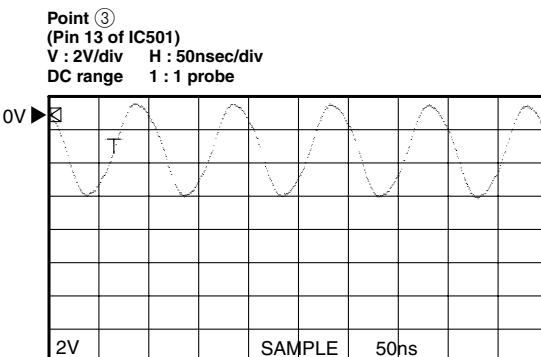
Conditions (RX-V496RDS)
 • INPUT → CD
 • VOLUME → minimum(∞)
 • IMPEDANCE
 SELECTOR → Left
 • PRO LOGIC → On

• All voltages are measured with a 10MΩ/V DC electric volt meter.
 • Components having special characteristics are marked Δ and must be replaced with parts having specifications equal to those originally installed.
 • Schematic diagram is subject to change without notice.

SCHEMATIC DIAGRAM (OPERATION [1/2])

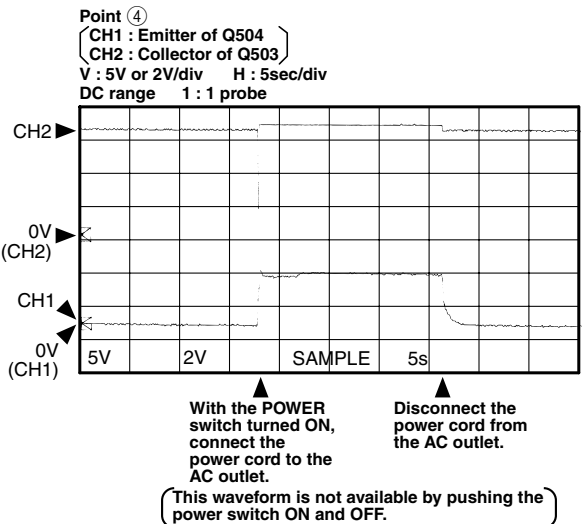


IC501: M30217MA-A202FP
→ See page 26-28 (EX), 22-24 (J)

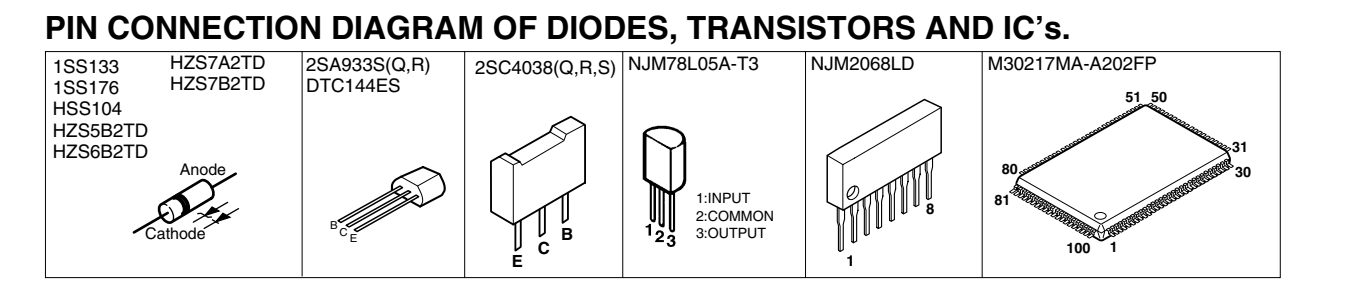
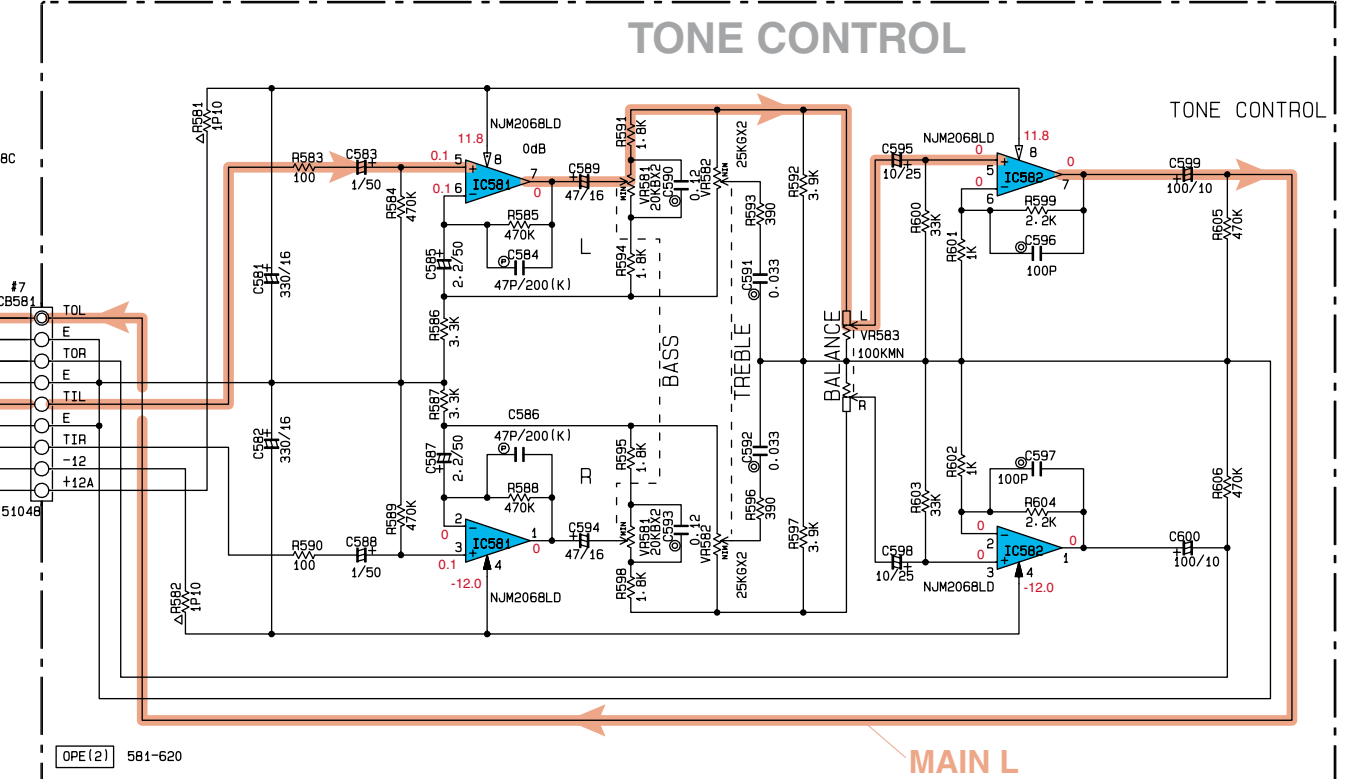
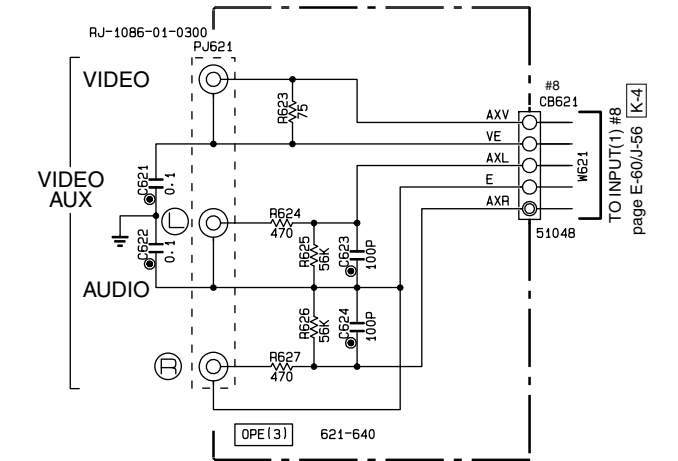


REMARKS	PARTS NAME
NO MARK	CARBON FILM RESISTOR [P=5]
□	CARBON FILM RESISTOR [P=10]
△	METAL OXIDE FILM RESISTOR
▲	METAL FILM RESISTOR
▭	METAL PLATE RESISTOR
■	FIRE PROOF CARBON FILM RESISTOR
□	CEMENT MOLDED RESISTOR
○	SEMI VARIABLE RESISTOR
●	CHIP RESISTOR

REMARKS	PARTS NAME
NO MARK	ELECTROLYTIC CAPACITOR
⊗	TANTALUM CAPACITOR
○	CERAMIC CAPACITOR
●	CERAMIC TUBULAR CAPACITOR
○	POLYESTER FILM CAPACITOR
○	POLYSTYRENE FILM CAPACITOR
○	MICA CAPACITOR
○	POLYPROPYLENE FILM CAPACITOR
○	SEMICONDUCTIVE CERAMIC CAPACITOR
○	POLYPHENYLENE SULFIDE FILM CAPACITOR



With the POWER switch turned ON, connect the power cord to the AC outlet.
Disconnect the power cord from the AC outlet.
(This waveform is not available by pushing the power switch ON and OFF.)



	J	U-C	R-T	A-L	B-G
s1	J503	○	×	○	×
s2	J504	○	○	×	×
s3	R516	×	100K HF45810	100K HF45810	×
s4	R517	×	×	100K HF45810	×
s5	SW513-514-517-518	×	×	×	VG39290
s6	R551	×	×	×	3.9K HF45622
s7	R552	×	×	×	6.8K HF45622
s8	R561	×	×	×	12K HF45712
s9	R562	×	×	×	27K HF45727
s10	D511	HZ5742 VHS7460	HZ5743 VHS7460	HZ5742 VHS7460	HZ5742 VHS7460
s11	R546	2.2K HF45622	2.2K HF45622	1.5K HF45615	2.2K HF45622
s12	J501	○	○	○	×
s13	R513	×	×	×	100K HF45810
s14					
s15					

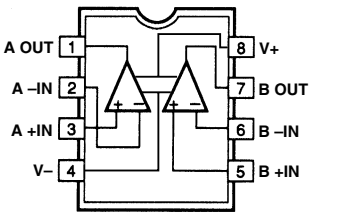
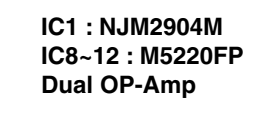
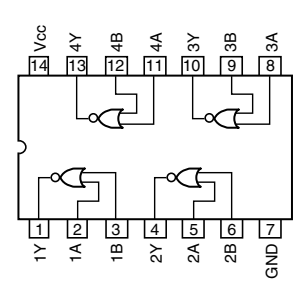
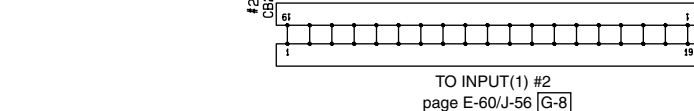
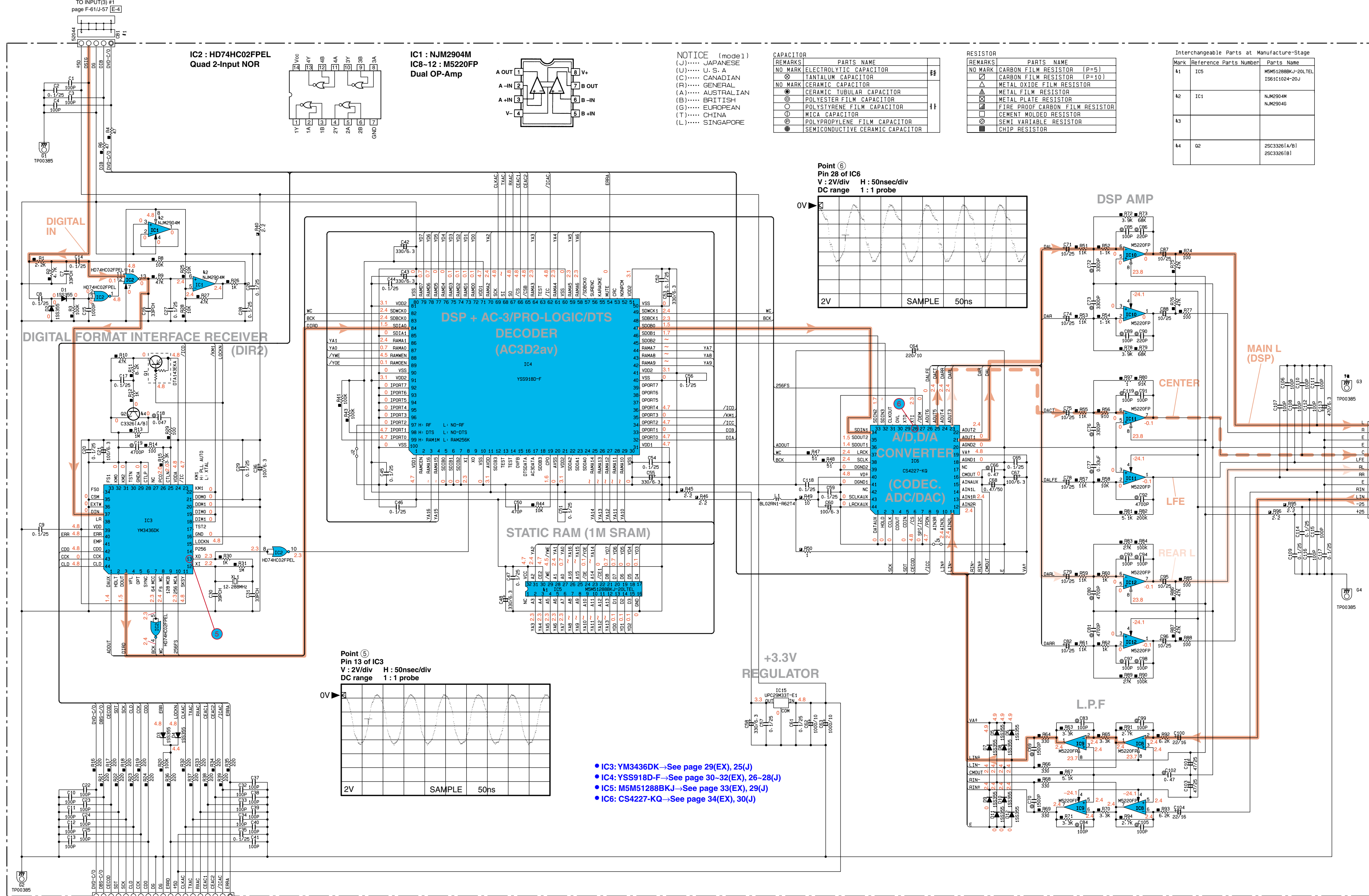
Mark	Reference Parts Number	Parts Name
k1	D501-502-503-504-507-509-510-512	HSS104 HSS133 HSS176
k2	D505-506	HZ5562 MT2J4-7C
k3	D508	HZ5782 MT2J7-5A
k4	G501-502-504	2SA933S(Q,R) 2SA1151E(P) 2SA1305M(I,R/S)

NOTICE (mode1)
(J)..... JAPANESE
(U)..... U.S.A
(C)..... CANADIAN
(R)..... GENERAL
(A)..... AUSTRALIAN
(B)..... BRITISH
(G)..... EUROPEAN
(T)..... CHINA
(L)..... SINGAPORE

Conditions (RX-V496RDS)
• INPUT → CD
• VOLUME → minimum(∞)
• IMPEDANCE SELECTOR → Left
• PRO LOGIC → On

* All voltages are measured with a 10MΩ/V DC electric volt meter.
* Components having special characteristics are marked △ and must be replaced with parts having specifications equal to those originally installed.
* Schematic diagram is subject to change without notice. E-62/J-58

SCHEMATIC DIAGRAM [DSP]

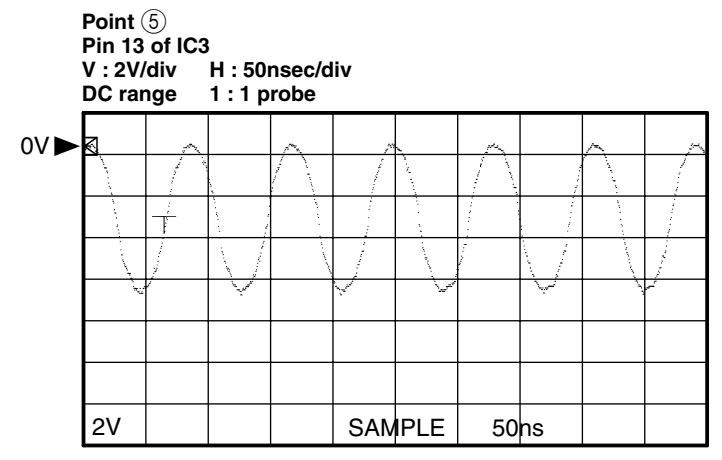
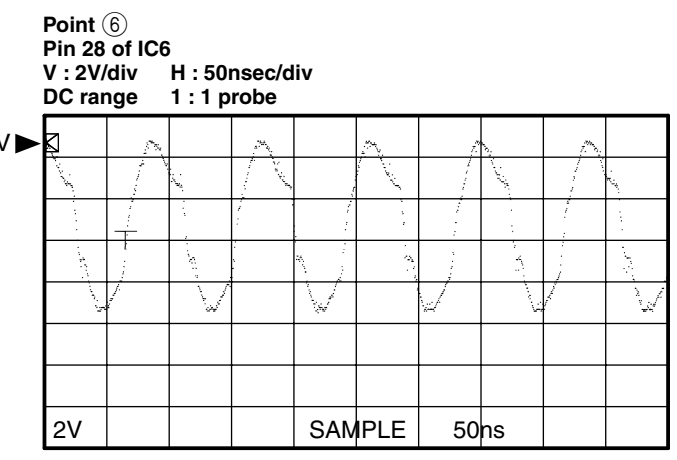


NOTICE (model)
(J)..... JAPANESE
(U)..... U. S. A
(C)..... CANADIAN
(R)..... GENERAL
(A)..... AUSTRALIAN
(B)..... BRITISH
(G)..... EUROPEAN
(T)..... CHINA
(L)..... SINGAPORE

REMARKS	PARTS NAME	MARK
NO MARK	ELECTROLYTIC CAPACITOR	#
⊗	TANTALUM CAPACITOR	#
NO MARK	CERAMIC CAPACITOR	
⊙	CERAMIC TUBULAR CAPACITOR	
⊖	POLYESTER FILM CAPACITOR	
○	POLYSTYRENE FILM CAPACITOR	
○	MICA CAPACITOR	
⊖	POLYPROPYLENE FILM CAPACITOR	
●	SEMICONDUCTIVE CERAMIC CAPACITOR	

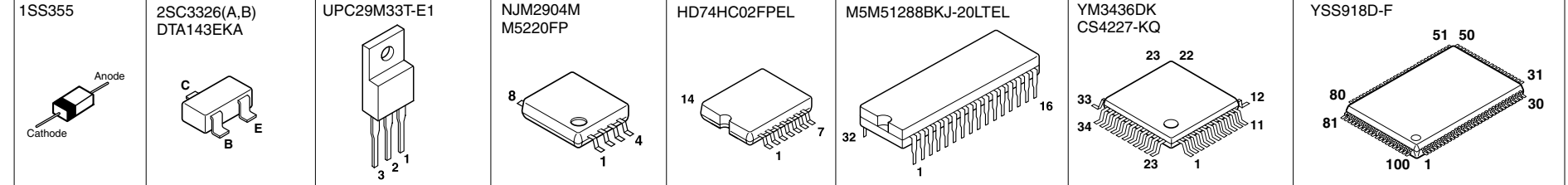
REMARKS	PARTS NAME	MARK
NO MARK	CARBON FILM RESISTOR (P=5)	
⊠	CARBON FILM RESISTOR (P=10)	
△	METAL OXIDE FILM RESISTOR	
⊠	METAL FILM RESISTOR	
⊠	METAL PLATE RESISTOR	
⊠	FIRE PROOF CARBON FILM RESISTOR	
⊠	CEMENT MOLDED RESISTOR	
⊠	SEMI VARIABLE RESISTOR	
■	CHIP RESISTOR	

Interchangeable Parts at Manufacture-Stage		
Mark	Reference Parts Number	Parts Name
k1	IC5	M5M51288BKJ-20LTEL 1S61C1024-20J
k2	IC1	NJM2904M NJM2904G
k3		
k4	Q2	2SC33261A/B1 2SC33261B1



- IC3: YM3436DK → See page 29(EX), 25(J)
- IC4: YSS918D-F → See page 30-32(EX), 26-28(J)
- IC5: M5M51288BKJ → See page 33(EX), 29(J)
- IC6: CS4227-KQ → See page 34(EX), 30(J)

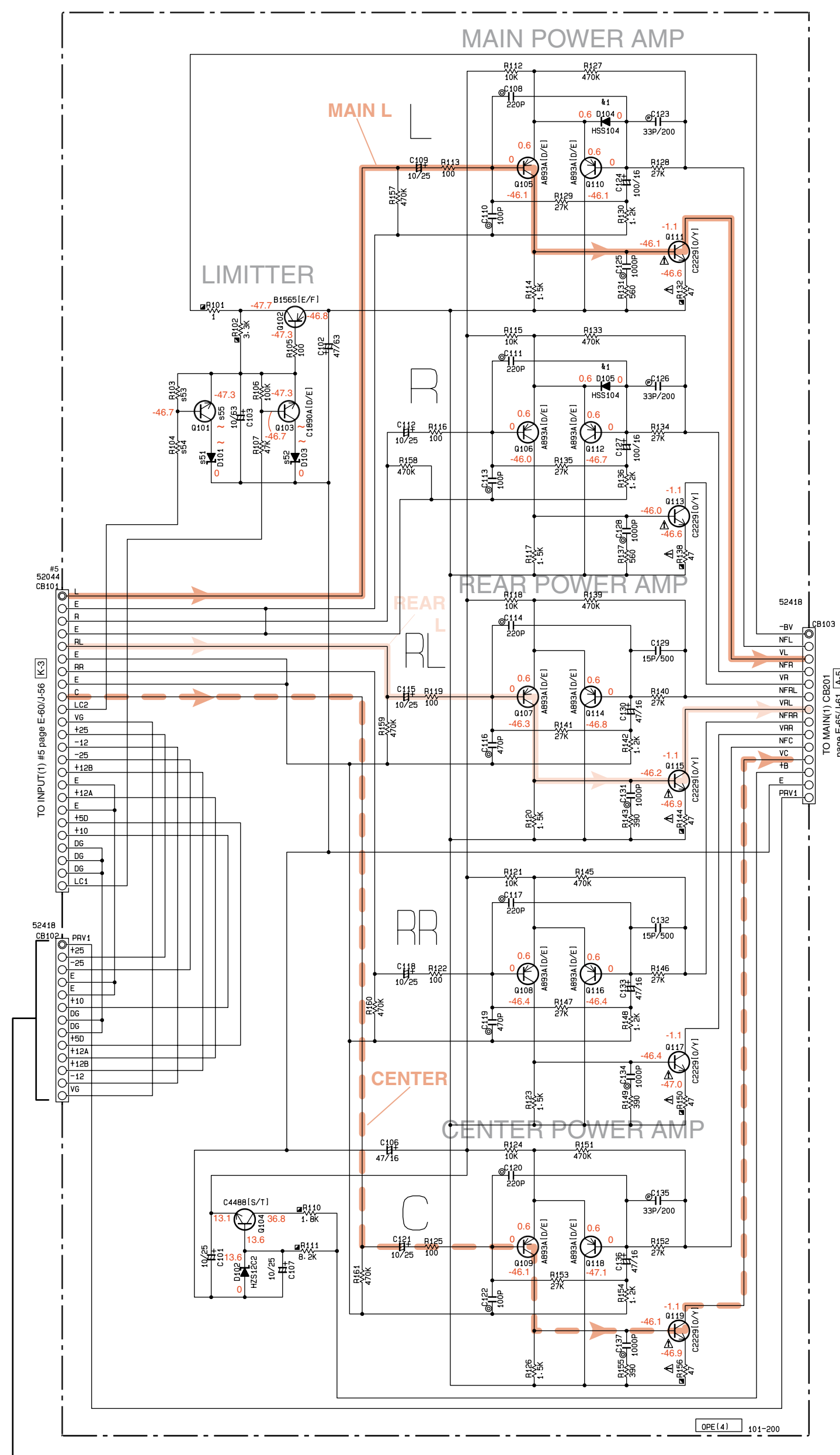
PIN CONNECTION DIAGRAM OF DIODES, TRANSISTORS AND IC'S.



Conditions (RX-V496RDS)
• INPUT → CD
• VOLUME → minimum(∞)
• IMPEDANCE SELECTOR → Left
• PRO LOGIC → On

• All voltages are measured with a 10MΩ/V DC electric volt meter.
• Components having special characteristics are marked Δ and must be replaced with parts having specifications equal to those originally installed.
• Schematic diagram is subject to change without notice.

■ SCHEMATIC DIAGRAM [OPERATION (2/2)]



Interchangeable Parts at Manufacture-Stage

Mark	Reference Parts Number	Parts Name
K1	D104-105	HSS104 ISS133 ISS176
K2		
K3		
K4		

	J	U-C	R-T	A-L	B-G
S51	D101	X	HZS202 VM97610	HZS202 VM97610	HZS202 VM97610
S52	D103	X	HZS202 VM97610	HZS202 VM97610	HZS202 VM97610
S53	R103	X	100K HF45810	100K HF45810	100K HF45810
S54	R104	X	47K HF45747	47K HF45747	47K HF45747
S55	Q101	X	C1890A(D,E) VP88310	C1890A(D,E) VP88310	C1890A(D,E) VP88310

X: NOT USED

NOTICE (model)

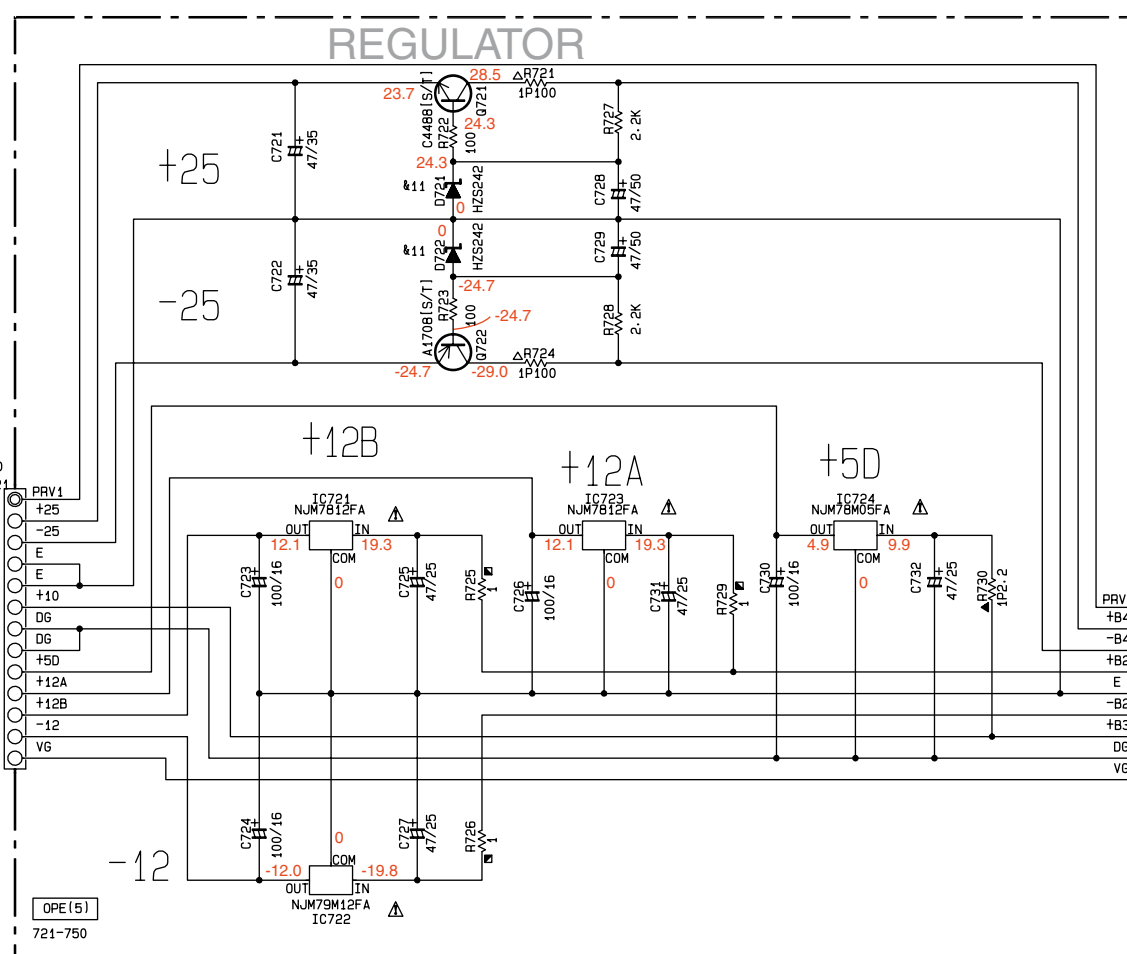
- (J)..... JAPANESE
- (U)..... U. S. A
- (C)..... CANADIAN
- (R)..... GENERAL
- (A)..... AUSTRALIAN
- (B)..... BRITISH
- (G)..... EUROPEAN
- (T)..... CHINA
- (L)..... SINGAPORE

RESISTOR

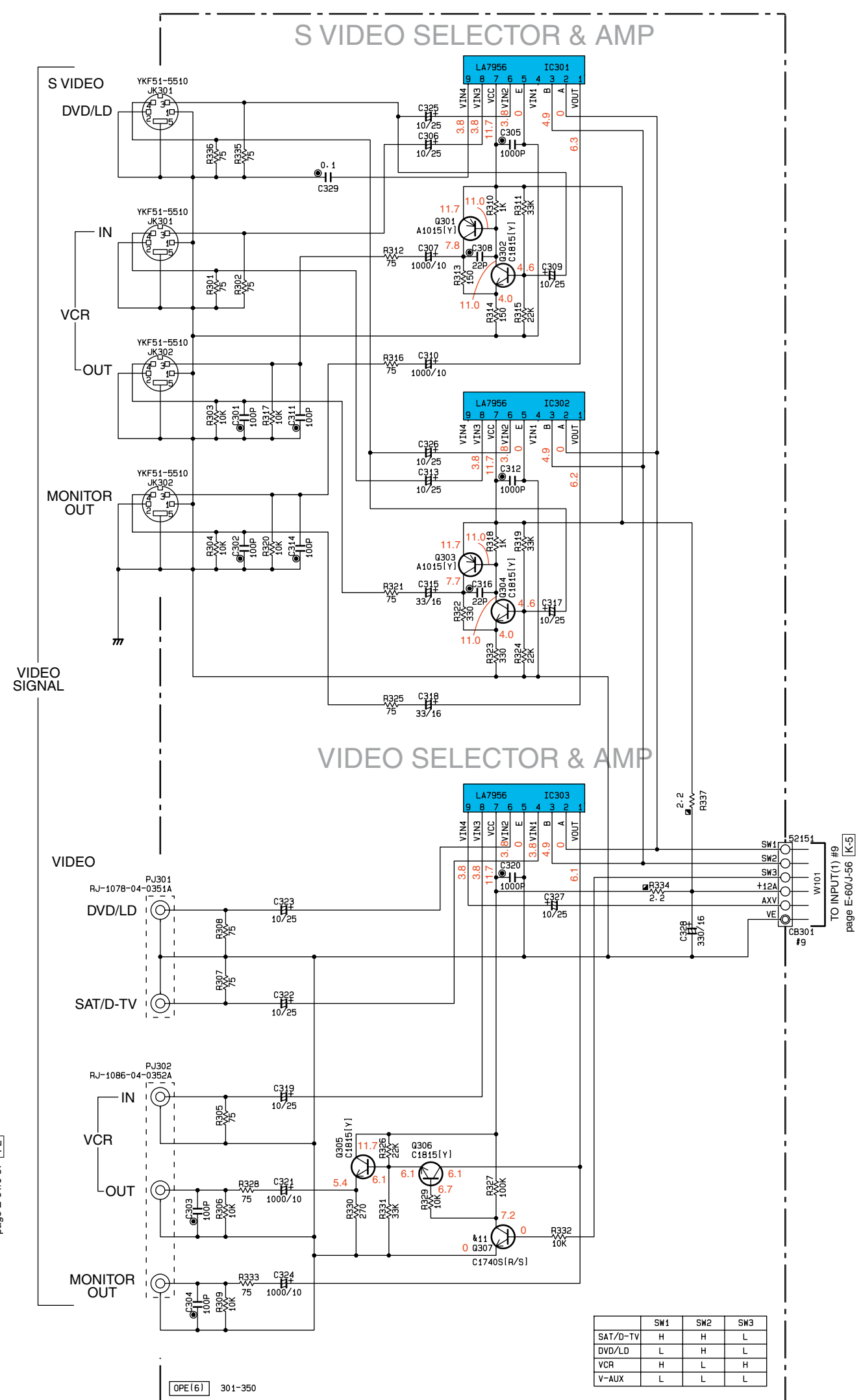
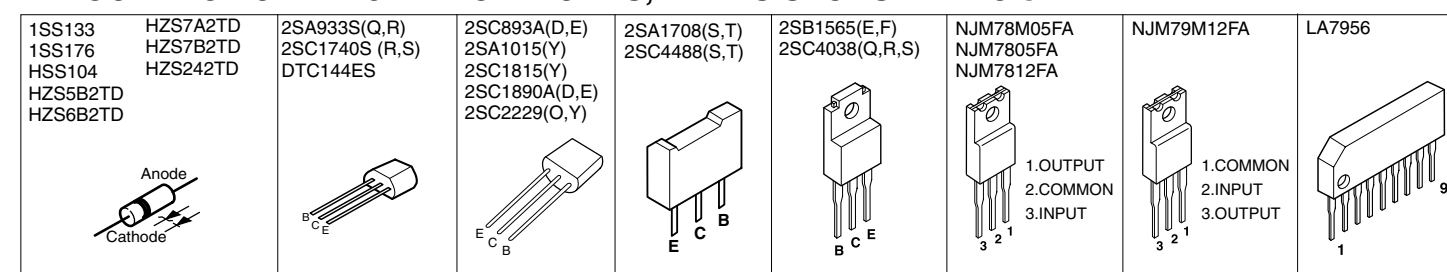
REMARKS	PARTS NAME
NO MARK	CARBON FILM RESISTOR (P=5)
□	CARBON FILM RESISTOR (P=10)
△	METAL OXIDE FILM RESISTOR
○	METAL FILM RESISTOR
□	METAL PLATE RESISTOR
□	FIRE PROOF CARBON FILM RESISTOR
□	CEMENT MOLDED RESISTOR
□	SEMI VARIABLE RESISTOR
□	CHIP RESISTOR

CAPACITOR

REMARKS	PARTS NAME
NO MARK	ELECTROLYTIC CAPACITOR
⊗	TANTALUM CAPACITOR
NO MARK	CERAMIC CAPACITOR
⊙	CERAMIC TUBULAR CAPACITOR
⊙	POLYESTER FILM CAPACITOR
⊙	POLYSTYRENE FILM CAPACITOR
⊙	MICA CAPACITOR
⊙	POLYPROPYLENE FILM CAPACITOR
⊙	SEMICONDUCTIVE CERAMIC CAPACITOR
⊙	POLYPHENYLENE SULFIDE FILM CAPACITOR

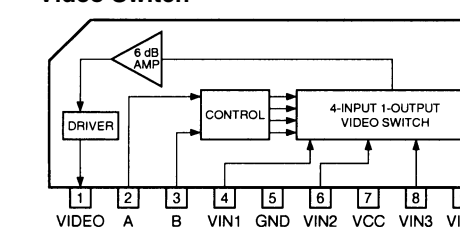


PIN CONNECTION DIAGRAM OF DIODES, TRANSISTORS AND IC'S.



IC301-303 : LA7956

Video Switch

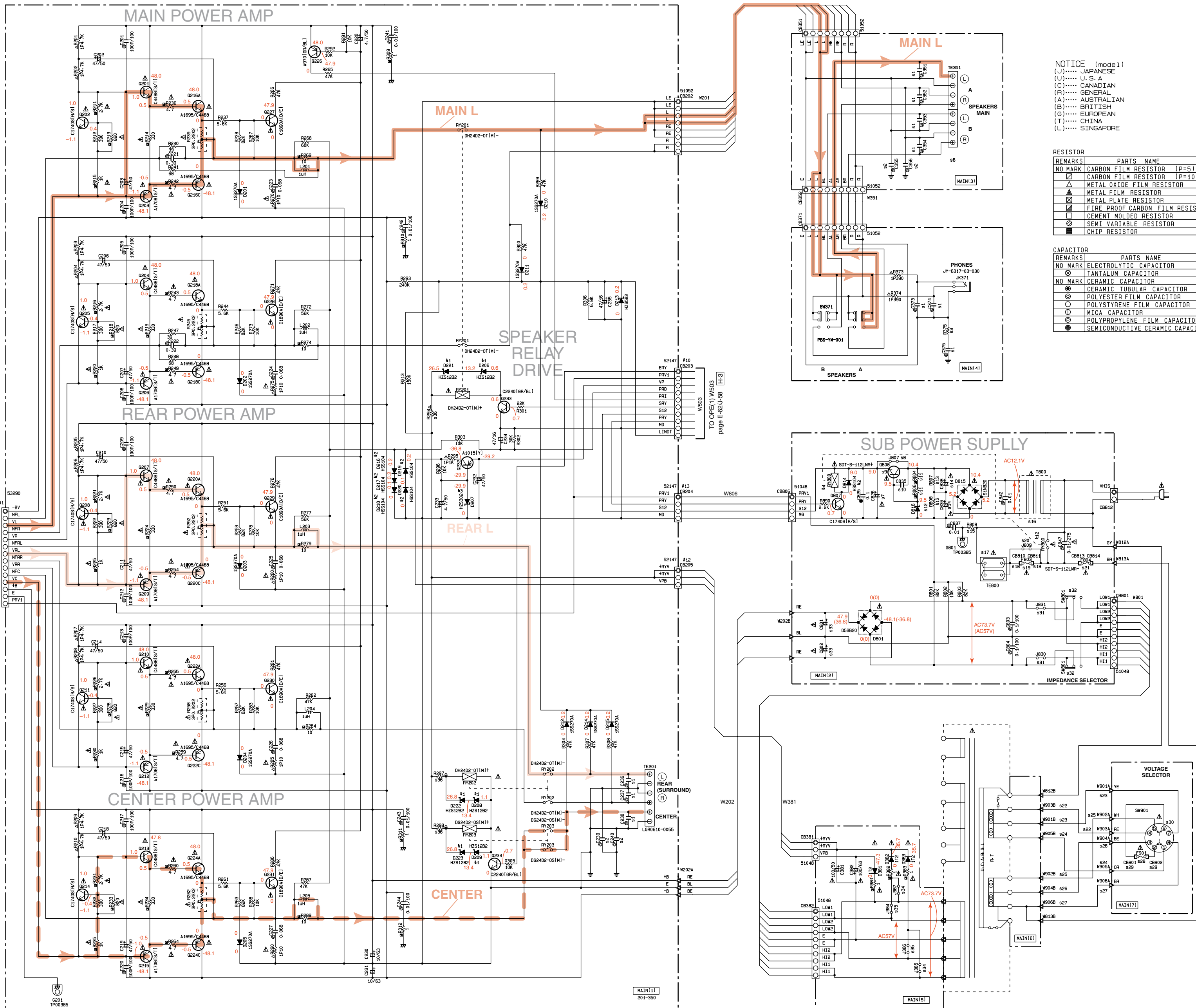


Conditions (RX-V496RDS)

- INPUT → CD
- VOLUME → minimum(←)
- IMPEDANCE
- SELECTOR → Left
- PRO LOGIC → On

- * All voltages are measured with a 10MΩ/V DC electric volt meter.
- * Components having special characteristics are marked Δ and must be replaced with parts having specifications equal to those originally installed.
- * Schematic diagram is subject to change without notice.

SCHEMATIC DIAGRAM [MAIN]



NOTICE (model1)
 (J)..... JAPANESE
 (U)..... U.S.A.
 (C)..... CANADIAN
 (R)..... GENERAL
 (A)..... AUSTRALIAN
 (B)..... BRITISH
 (G)..... EUROPEAN
 (T)..... CHINA
 (L)..... SINGAPORE

RESISTOR

REMARKS	PARTS NAME
NO MARK	CARBON FILM RESISTOR (P=5)
△	CARBON FILM RESISTOR (P=10)
▲	METAL OXIDE FILM RESISTOR
△	METAL FILM RESISTOR
■	METAL PLATE RESISTOR
■	FIRE PROOF CARBON FILM RESISTOR
■	CEMENT MOLDED RESISTOR
■	SEMI VARIABLE RESISTOR
■	CHIP RESISTOR

CAPACITOR

REMARKS	PARTS NAME
NO MARK	ELECTROLYTIC CAPACITOR
⊗	TANTALUM CAPACITOR
NO MARK	CERAMIC CAPACITOR
⊙	CERAMIC TUBULAR CAPACITOR
⊙	POLYESTER FILM CAPACITOR
⊙	POLYSTYRENE FILM CAPACITOR
⊙	MICA CAPACITOR
⊙	POLYPROPYLENE FILM CAPACITOR
●	SEMICONDUCTIVE CERAMIC CAPACITOR

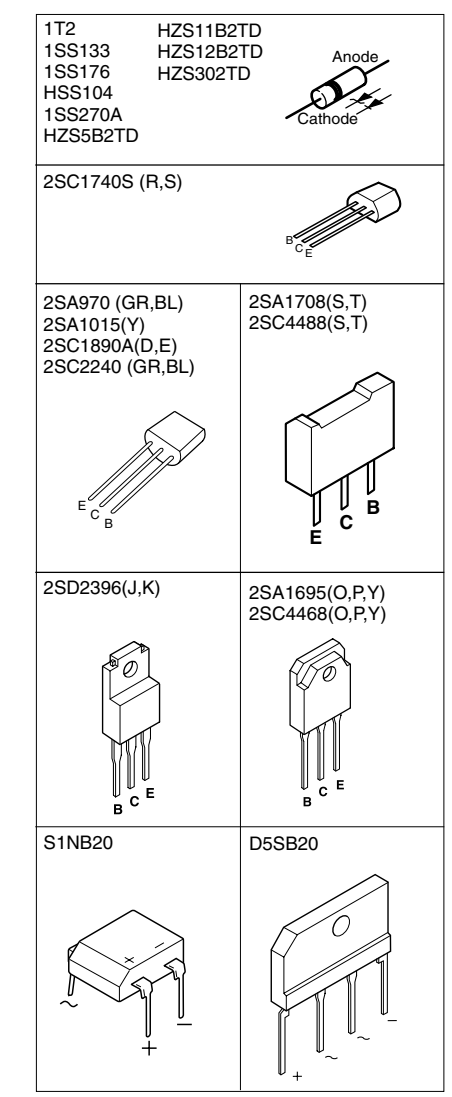
Circuit No.	MODEL No.						
	J	U-C	R-T	A	L	S	
1	C296-297-298 C351-352-353-354 C373-374-375	X	X	X	0.01 (U495410)	0.01 (U495401)	0.01 (U495410)
2	C239-240-255-266	X	X	X	0.022 (U495422)	0.022 (U495421)	0.022 (U495422)
3	R375	X	X	X	2.2 (W45322)	2.2 (W45321)	2.2 (W45322)
4							
5							
6	TE351	VC31370	VC31370	VC31370	VC31370	V481140	V481140
7	CR26	470/25 UR84347	470/25 UR84347	220/25 UR84822	470/25 UR84347	470/25 UR84347	470/25 UR84347
8	RB07	0	0	0	0	0	0
9	RB08	X	X	X	DC3961J/K1 W61290	X	X
10	CR30	X	X	X	100P F061310	X	X
11	RB04-806	X	X	X	5-5K W67955	X	X
12	DR16	X	X	X	H251827D W67530	X	X
13	RB07-808	X	X	X	1M W45910	X	X
14	CR36-838	X	X	X	100/25 UR85810	X	X
15	RB09	X	X	X	1/250-2M W63922	X	X
16	T800	XW605	XW605	XW607	XW608	XW608	XW608
17	TE800	VU54310	VU54310	V474640	VY1500	VU54340	VU54340
18	CB810-811	X	X	X	X	X	X
19	RB03	X	X	X	X	X	X
20	RB09	0	0	0	0	0	0
21	RB04	6A125V V826310	6A125V V826310	6A125V V826310	T2-5AL250V K800069	T2-5AL250V K800069	T2-5AL250V K800069
22	W903	X	X	X	W402525	X	X
23	W901	X	X	X	W404030	X	X
24	W905	X	X	X	W403025	X	X
25	W902	X	X	X	W409025	X	X
26	W904	X	X	X	W406025	X	X
27	W906	X	X	X	W401030	X	X
28	F901	X	X	X	T2-5AL250V K800069	X	X
29	CB901-902	X	X	X	VP20650	X	X
30	SW901	X	X	X	V496180	X	X
31	LR30-831	0	0	0	0	0	0
32	SW901	X	X	X	V410420 SL138-102	V410420 SL138-102	V410420 SL138-102
33	CB01-802	VY95180 8200/56	V492630 8200/63	VY95180 8200/56	VY95180 8200/56	VY95180 8200/56	VY95180 8200/56
34	J385-387	0	0	0	0	0	0
35	J384-386	0	0	0	0	0	0
36	R294-297-298	VP94070 IP950	VP94070 IP950	VP94070 IP950	VP94070 IP950	VP94070 IP950	VP94070 IP950
37	TE201	V447070 LR2610-000	V447070 LR2610-000	V447070 LR2610-000	V447070 LR2610-000	V447070 LR2610-000	V447070 LR2610-000

⊗: NOT USED ○: USED

Interchangeable Parts at Manufacture-Stage

Mark	Reference	Parts Name
K1	D206-208-209- D221-222-223	HZ51282 WTJ1336
K2	D216-D220-D814	HSS104 1SS133 1SS176
K3	D207	HZ5302 WTJ300
K4	RY800	OC307-S-112LMR OC305S01-S10W-11 OCAL4S231

PIN CONNECTION DIAGRAM OF DIODES, TRANSISTORS AND IC'S.



Conditions (RX-V496RDS)
 • INPUT → CD
 • VOLUME → minimum(←)
 • IMPEDANCE SELECTOR → Left
 • PRO LOGIC → On

• All voltages are measured with a 10MΩ/V DC electric voltmeter.
 • Components having special characteristics are marked △ and must be replaced with parts having specifications equal to those originally installed.
 • Schematic diagram is subject to change without notice.

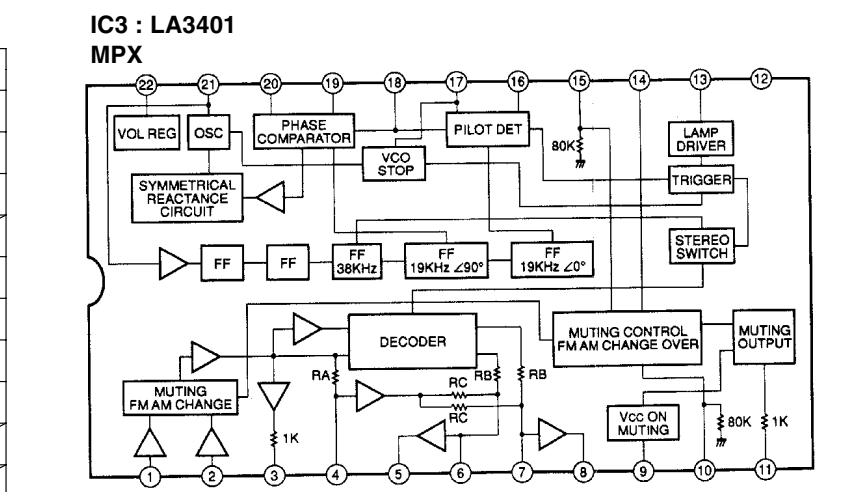
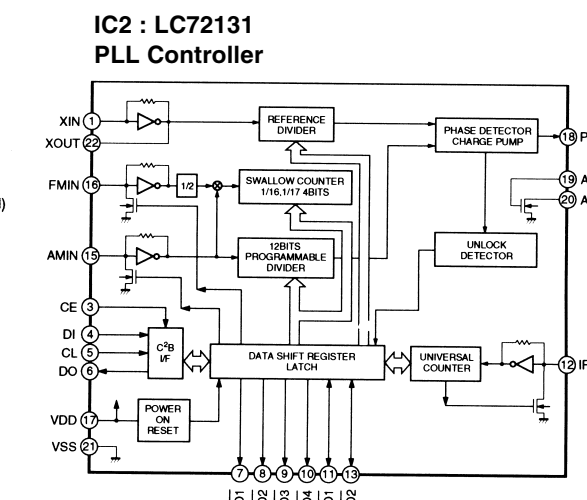
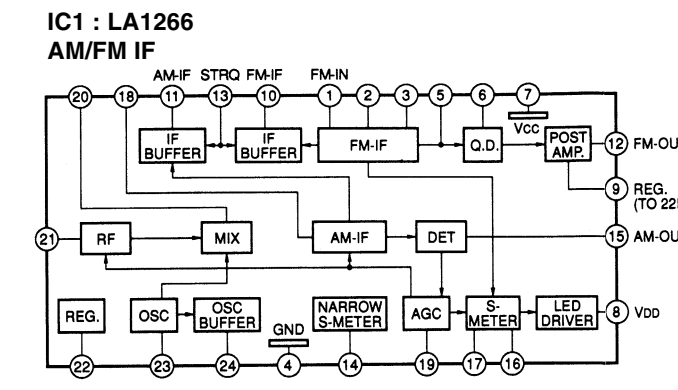
SCHEMATIC DIAGRAM [TUNER] J, U, C, R, T, A and L models

Each voltage given here represents that in the FM (83MHz: J model or 98.1MHz: EX model STEREO) reception mode but the one in the parentheses () is that in the AM (1080kHz, MAN'L) reception mode.

REMARKS	PARTS NAME	SYMBOL
NO MARK	ELECTROLYTIC CAPACITOR	⊘
⊗	TANTALUM CAPACITOR	⊗
NO MARK	CERAMIC CAPACITOR	□
⊙	CERAMIC TUBULAR CAPACITOR	⊙
⊖	POLYESTER FILM CAPACITOR	⊖
⊕	POLYSTYRENE FILM CAPACITOR	⊕
⊖	MICA CAPACITOR	⊖
⊕	POLYPROPYLENE FILM CAPACITOR	⊕
⊖	SEMICONDUCTIVE CERAMIC CAPACITOR	⊖

REMARKS	PARTS NAME	SYMBOL
NO MARK	CARBON FILM RESISTOR (P=5)	□
□	CARBON FILM RESISTOR (P=10)	□
△	METAL OXIDE FILM RESISTOR	△
⊠	METAL FILM RESISTOR	⊠
⊡	METAL PLATE RESISTOR	⊡
⊠	FIRE PROOF CARBON FILM RESISTOR	⊠
⊡	CEMENT MOLDED RESISTOR	⊡
⊠	SEMI VARIABLE RESISTOR	⊠
⊡	CHIP RESISTOR	⊡

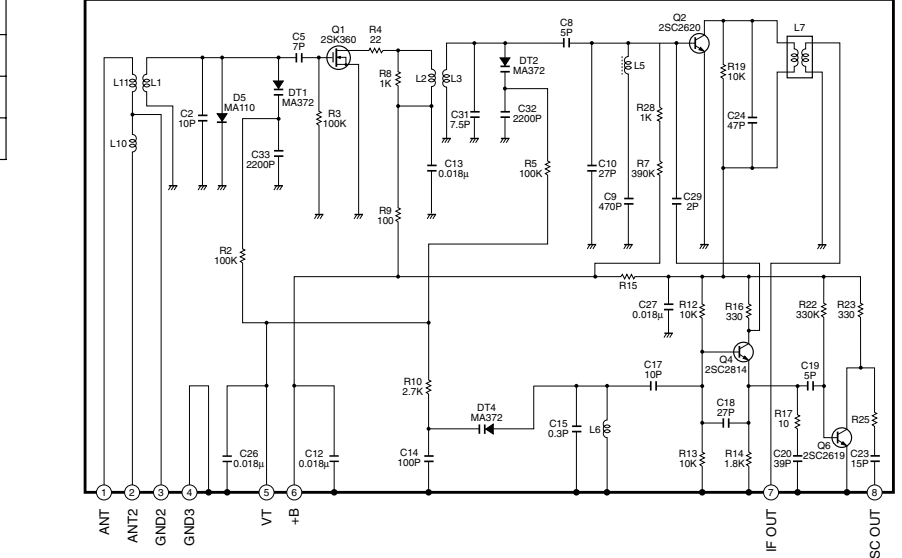
NOTICE (mode1)
 (J)..... JAPANESE
 (U)..... U. S. A
 (C)..... CANADIAN
 (R)..... GENERAL
 (A)..... AUSTRALIAN
 (B)..... BRITISH
 (G)..... EUROPEAN
 (T)..... CHINA
 (L)..... SINGAPORE



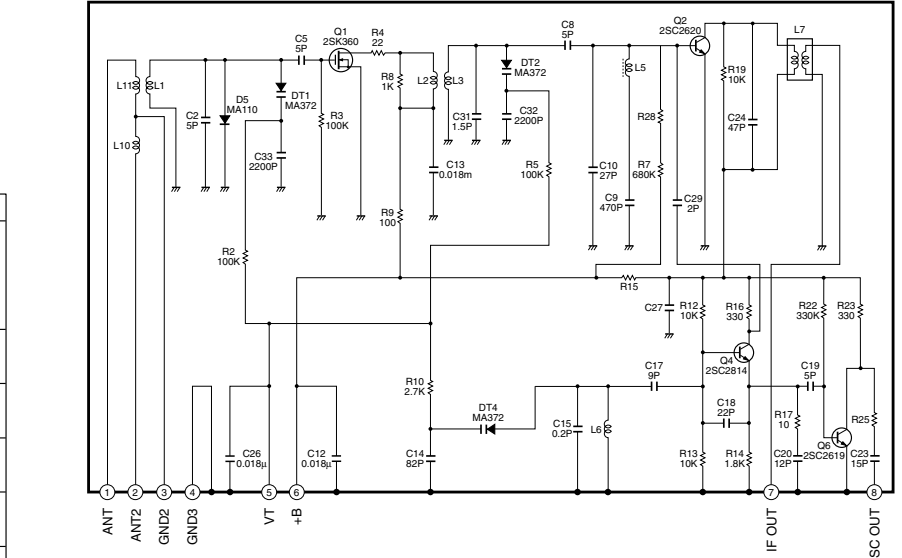
	J	U.C	R.T	A-B-G-L
1 PK1	V290900	V290910	V271670	V271670
2 R48				4.7K RD2547
3 T3				XYA2 VT48680
4 J41				
5 C49	2200P UA95322	2200P UA95322	2200P UA95322	120P RD25612
6 R50	22K RD25722	22K RD25722	22K RD25722	1K RD25610
7 C36-37	680P UA95268	1000P UA95310	1000P UA95310	270P UA95227
8 R36-37	75K RD25775	75K RD25775	75K RD25775	180K RD25816
9 SW1				V560260
10 J42				
11 R55			270K RD25827	270K RD25827
12 R57-58				270K RD25827
13 R34			100K RD25810	100K RD25810
14 R60	10K RD25710	10K RD25710	10K RD25710	27K RD25827
15 F12	G600056	G600056	G600056	V454520

○ USED
 ⊗ NOT USED

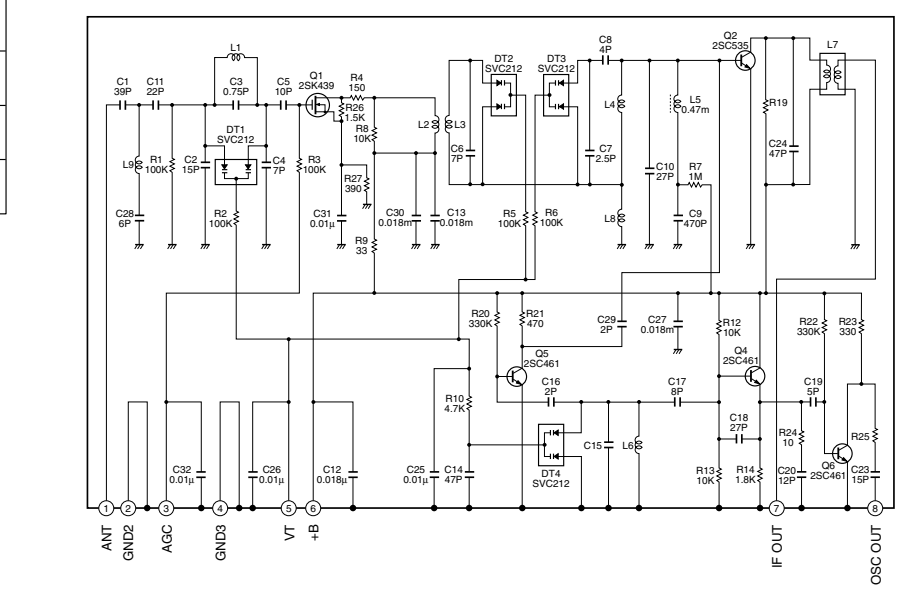
PK1 : ENV-142C2G1R (V290900) J model



PK1 : ENV-172C8G1R (V290910) U, C, R, T models

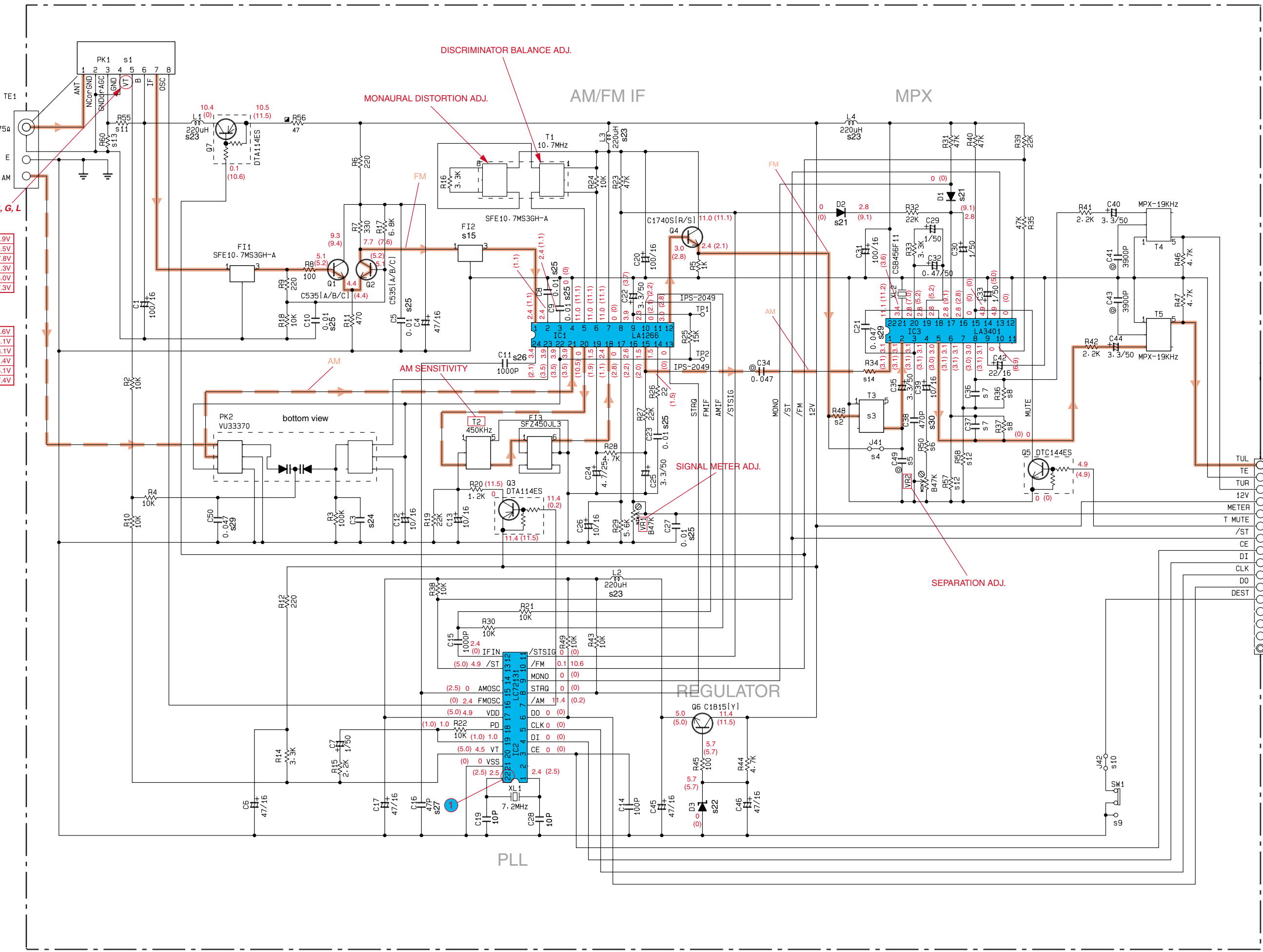


PK1 : ENV-172A4G1 (V271670) A, B, G, L models



TO INPUT(1)
 CB107
 page E-60/J-56
 I-B

Q	Lead Type	Lead Type & SMD
21	1SS133, 1SS176, HSS104 VD631600	1SS355 VT33290
22	MTZJ5.6B VG43770	UDZS5.6BTE-17 VU17200
23	V16410	VU89950
24	8.2P/50 VG27580	8P/50 UB05080
25	0.01/16 VF46730	0.01/50 UB04410
26	1000P/50 VF46700	1000P/50 UB01310
27	47P/50 VA46670	47P/50 UB05147
28		
29	0.047/16 VJ59900	0.047/50 UB04447
30	470P/50 VF46690	470P/50 UB01247



U, C, R, T, A, B, G, L models

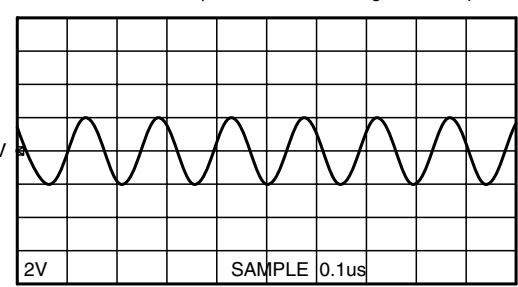
87.5MHz	1.9V
FM 98.0MHz	4.5V
108.0MHz	7.8V
531kHz	1.3V
AM 1080kHz	5.0V
1611kHz	7.9V

J model

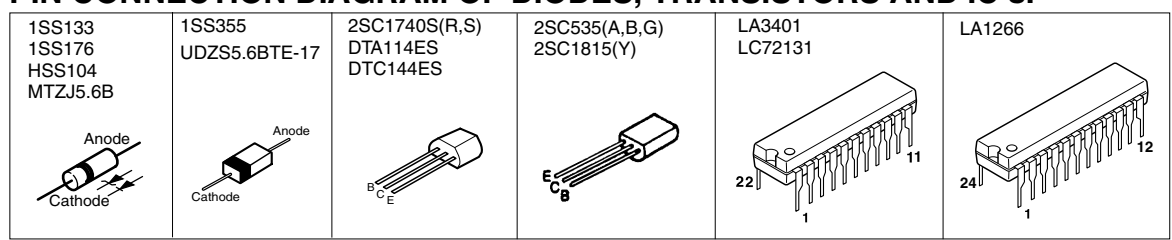
76.0MHz	1.6V
FM 83.0MHz	4.1V
90.0MHz	8.1V
531kHz	1.4V
AM 1080kHz	5.1V
1611kHz	7.4V

Point ① (Pin22 of IC2)

V : 2V/div H : 0.1μsec/div DC range 1 : 1 probe



PIN CONNECTION DIAGRAM OF DIODES, TRANSISTORS AND IC's.



* All voltages are measured with a 10MΩ/V DC electric volt meter.
 * Components having special characteristics are marked Δ and must be replaced with parts having specifications equal to those originally installed.
 * Schematic diagram is subject to change without notice.

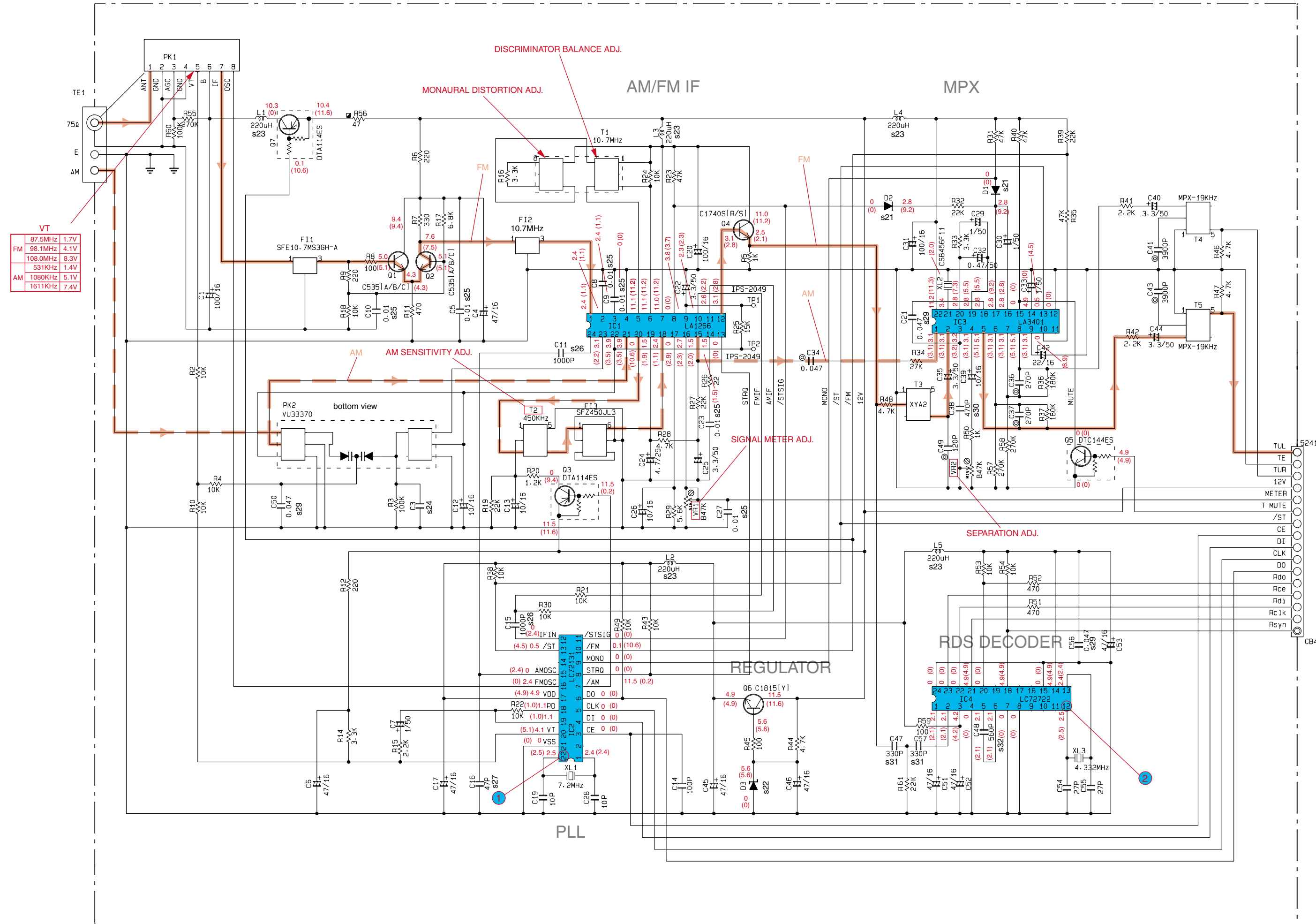
SCHEMATIC DIAGRAM [TUNER] B, G models (RDS model)

Each voltage given here represents that in the FM (98.1MHz STEREO) reception mode but the one in the parentheses () is that in the AM (1080kHz, MAN'L) reception mode.

CAPACITOR	
REMARKS	PARTS NAME
NO MARK	ELECTROLYTIC CAPACITOR
⊗	TANTALUM CAPACITOR
NO MARK	CERAMIC CAPACITOR
⊙	CERAMIC TUBULAR CAPACITOR
⊖	POLYESTER FILM CAPACITOR
○	POLYSTYRENE FILM CAPACITOR
⊕	MICA CAPACITOR
⊖	POLYPROPYLENE FILM CAPACITOR
⊙	SEMICONDUCTIVE CERAMIC CAPACITOR

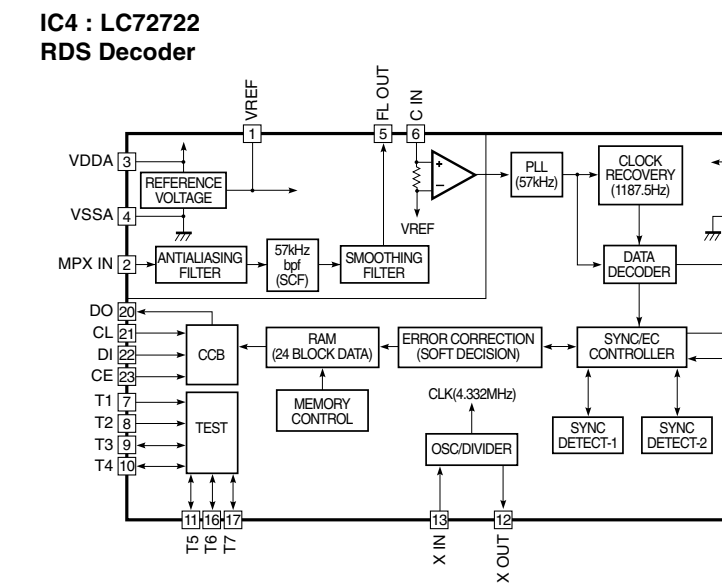
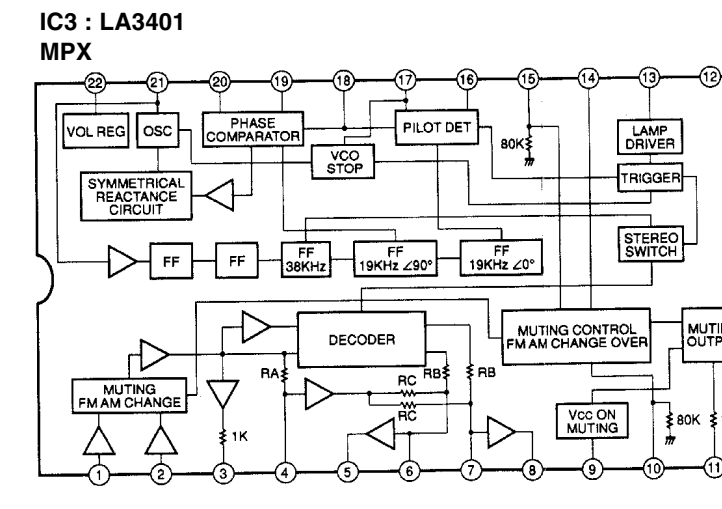
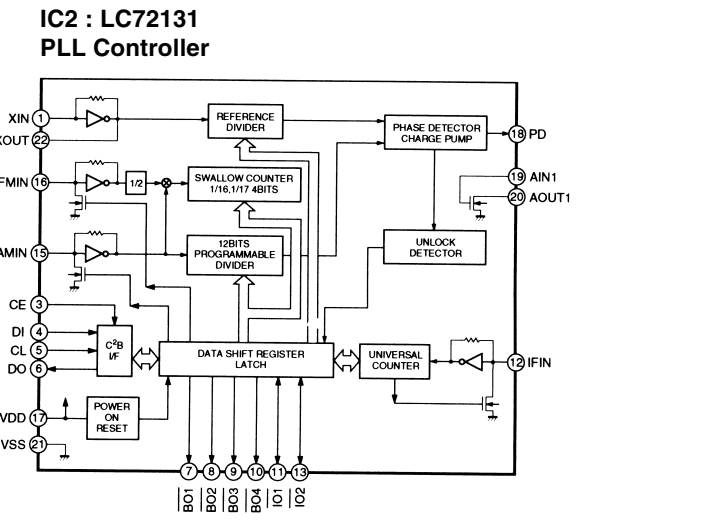
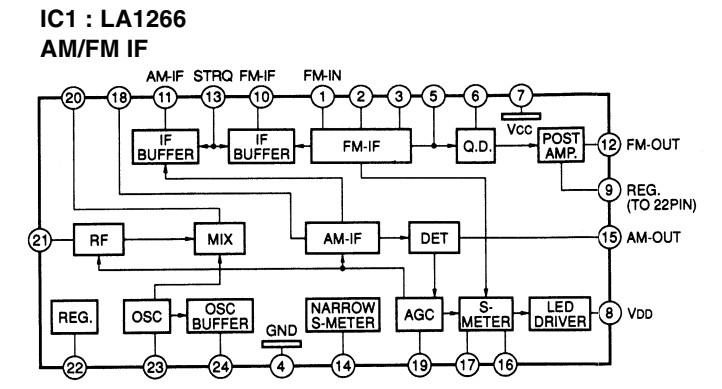
RESISTOR	
REMARKS	PARTS NAME
NO MARK	CARBON FILM RESISTOR (P=5)
⊗	CARBON FILM RESISTOR (P=10)
△	METAL OXIDE FILM RESISTOR
⊖	METAL FILM RESISTOR
⊕	METAL PLATE RESISTOR
⊖	FIRE PROOF CARBON FILM RESISTOR
⊕	CEMENT MOLDED RESISTOR
⊖	SEMI VARIABLE RESISTOR
■	CHIP RESISTOR

NOTICE (mode1)
 (J)..... JAPANESE
 (U)..... U.S.A
 (C)..... CANADIAN
 (R)..... GENERAL
 (A)..... AUSTRALIAN
 (B)..... BRITISH
 (G)..... EUROPEAN
 (T)..... CHINA
 (L)..... SINGAPORE



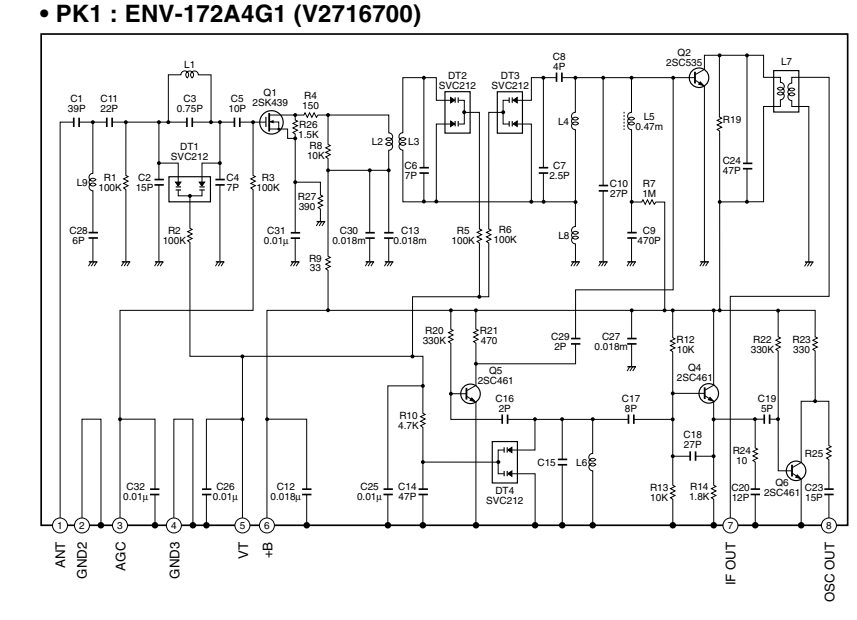
VT

87.5MHz	1.7V
FM 98.1MHz	4.1V
108.0MHz	8.3V
531kHz	1.4V
AM 1080kHz	5.1V
1611kHz	7.4V

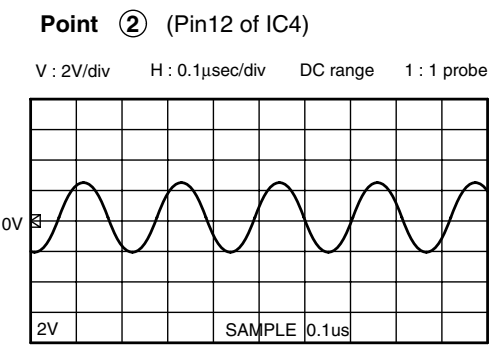
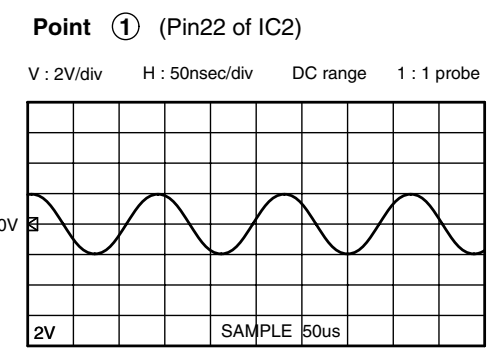
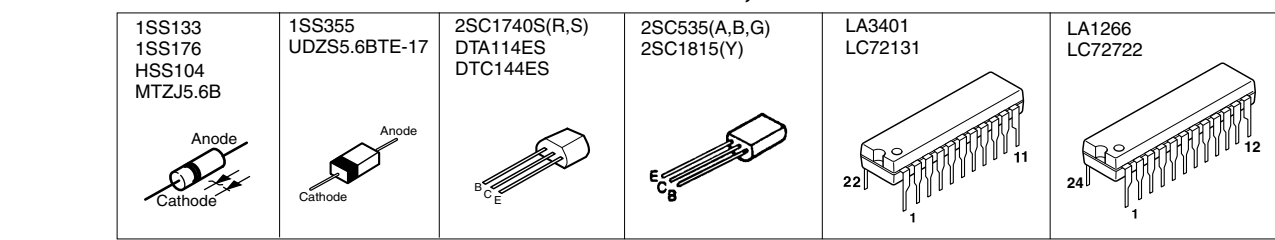


TO INPUT(1)
CB107
page E-60J-56
I-8

s	Lead Type	Lead Type & SMD
21	D1, 2	1SS133, 1SS176, HSS104, VD631600
22	D3	MTZJ5.6B, VG43770
23	L1,2,3,4,5	VI54610
24	C3	8.2P/50, 8P/50, VG27580
25	C5,8,9,10,23,27	0.01/16, 0.01/50, VF46730
26	C11,15	1000P/50, VF46700
27	C16	47P/50, VA46670
28		UB01310, UB05147
29	C21,50,56	0.047/16, VJ59900
30	C38	470P/50, VF46690
31	C47,57	330P/50, VG27860
32	C48	560P/50, VG27880



PIN CONNECTION DIAGRAM OF DIODES, TRANSISTORS AND IC's.



* All voltages are measured with a 10MΩ/V DC electric volt meter.
 * Components having special characteristics are marked Δ and must be replaced with parts having specifications equal to those originally installed.
 * Schematic diagram is subject to change without notice.

PARTS LIST

■ ELECTRICAL PARTS

■ WARNING

Components having special characteristics are marked \triangle and must be replaced with parts having specifications equal to those originally installed.

- Carbon resistors (1/6W or 1/4W) are not included in the ELECTRICAL PARTS List. For the part Nos. of the carbon resistors, refer to page 81.
- Chip resistors are listed on page 80.

ABBREVIATIONS IN THIS LIST ARE AS FOLLOWS:

C. A. EL. CHP	: CHIP ALUMI. ELECTROLYTIC CAP	LED. DSPLY	: LED DISPLAY
C. CE	: CERAMIC CAP	LED. INFRD	: LED, INFRARED
C. CE. ARRAY	: CERAMIC CAP ARRAY	MODUL. RF	: MODULATOR, RF
C. CE. CHP	: CHIP CERAMIC CAP	PHOT. CPL	: PHOTO COUPLER
C. CE. ML	: MULTILAYER CERAMIC CAP	PHOT. INTR	: PHOTO INTERRUPTER
C. CE. M. CHP	: CHIP MULTILAYER CERAMIC CAP	PHOT. RFLCT	: PHOTO REFLECTOR
C. CE. SAFTY	: RECOGNIZED CERAMIC CAP	PIN. TEST	: PIN, TEST POINT
C. CE. TUBLR	: CERAMIC TUBULAR CAP	PLST. RIVET	: PLASTIC RIVET
C. CE. SMI	: SEMI CONDUCTIVE CERAMIC CAP	R. ARRAY	: RESISTOR ARRAY
C. EL	: ELECTROLYTIC CAP	R. CAR	: CARBON RESISTOR
C. MICA	: MICA CAP	R. CAR. CHP	: CHIP RESISTOR
C. ML. FLM	: MULTILAYER FILM CAP	R. CAR.FP	: FLAME PROOF CARBON RESISTOR
C. MP	: METALLIZED PAPER CAP	R. FUS	: FUSABLE RESISTOR
C. MYLAR	: MYLAR FILM CAP	R. MTL. CHP	: CHIP METAL FILM RESISTOR
C. MYLAR. ML	: MULTILAYER MYLAR FILM CAP	R. MTL. FILM	: METAL FILM RESISTOR
C. PAPER	: PAPER CAPACITOR	R. MTL. OXD	: METAL OXIDE FILM RESISTOR
C. PLS	: POLYSTYRENE FILM CAP	R. MTL. PLAT	: METAL PLATE RESISTOR
C. POL	: POLYESTER FILM CAP	RSNR. CE	: CERAMIC RESONATOR
C. POLY	: POLYETHYLENE FILM CAP	RSNR. CRYST	: CRYSTAL RESONATOR
C. PP	: POLYPROPYLENE FILM CAP	R. TW. CEM	: TWIN CEMENT FIXED RESISTOR
C. TNTL	: TANTALUM CAP	R. WW	: WIRE WOUND RESISTOR
C. TNT. CHP	: CHIP TANTALUM CAP	SCR. BND. HD	: BIND HEAD B-TITE SCREW
C. TRIM	: TRIMMER CAP	SCR. BW. HD	: BW HEAD TAPPING SCREW
CN	: CONNECTOR	SCR. CUP	: CUP TITE SCREW
CN. BS. PIN	: CONNECTOR, BASE PIN	SCR. TERM	: SCREW TERMINAL
CN. CANNON	: CONNECTOR, CANNON	SCR. TR	: SCREW, TRANSISTOR
CN. DIN	: CONNECTOR, DIN	SUPRT. PCB	: SUPPORT, P. C. B.
CN. FLAT	: CONNECTOR, FLAT CABLE	SURG. PRTCT	: SURGE PROTECTOR
CN. POST	: CONNECTOR, BASE POST	SW. TACT	: TACT SWITCH
COIL. MX. AM	: COIL, AM MIX	SW. LEAF	: LEAF SWITCH
COIL. AT. FM	: COIL, FM ANTENNA	SW. LEVER	: LEVER SWITCH
COIL. DT. FM	: COIL, FM DETECT	SW. MICRO	: MICRO SWITCH
COIL. MX. FM	: COIL, FM MIX	SW. PUSH	: PUSH SWITCH
COIL. OUTPT	: OUTPUT COIL	SW. RT. ENC	: ROTARY ENCODER
DIOD. ARRAY	: DIODE ARRAY	SW. RT. MTR	: ROTARY SWITCH WITH MOTOR
DIODE. BRG	: DIODE BRIDGE	SW. RT	: ROTARY SWITCH
DIODE. CHP	: CHIP DIODE	SW. SLIDE	: SLIDE SWITCH
DIODE. VAR	: VARACTOR DIODE	TERM. SP	: SPEAKER TERMINAL
DIOD. Z. CHP	: CHIP ZENER DIODE	TERM. WRAP	: WRAPPING TERMINAL
DIODE. ZENR	: ZENER DIODE	THRMST. CHP	: CHIP THERMISTOR
DSCR. CE	: CERAMIC DISCRIMINATOR	TR. CHP	: CHIP TRANSISTOR
FER. BEAD	: FERRITE BEADS	TR. DGT	: DIGITAL TRANSISTOR
FER. CORE	: FERRITE CORE	TR. DGT. CHP	: CHIP DIGITAL TRANSISTOR
FET. CHP	: CHIP FET	TRANS	: TRANSFORMER
FL. DSPLY	: FLUORESCENT DISPLAY	TRANS. PULS	: PULSE TRANSFORMER
FLTR. CE	: CERAMIC FILTER	TRANS. PWR	: POWER TRANSFORMER ASS'y
FLTR. COMB	: COMB FILTER MODULE	TUNER. AM	: TUNER PACK, AM
FLTR. LC. RF	: LC FILTER, EMI	TUNER. FM	: TUNER PACK, FM
GND. MTL	: GROUND PLATE	TUNER. PK	: FRONT-END TUNER PACK
GND. TERM	: GROUND TERMINAL	VR	: ROTARY POTENTIOMETER
HOLDER. FUS	: FUSE HOLDER	VR. MTR	: POTENTIOMETER WITH MOTOR
IC. PRTCT	: IC PROTECTOR	VR. SW	: POTENTIOMETER WITH ROTARY SW
JUMPER. CN	: JUMPER CONNECTOR	VR. SLIDE	: SLIDE POTENTIOMETER
JUMPER. TST	: JUMPER, TEST POINT	VR. TRIM	: TRIMMER POTENTIOMETER
L. DTCT	: LIGHT DETECTING MODULE		
L. EMIT	: LIGHT EMITTING MODULE		

Note) Those parts marked with "#" are not included in the P. C. B. Ass'y.

P. C. B. DSP

Schm Ref	PART NO.	Description	
*	V4810500	P.C.B.	DSP
CB1	VQ044100	CN.BS.PIN	5P
CB2	VQ044900	CN.BS.PIN	19P
CB3	VQ044600	CN.BS.PIN	13P
C1	UB052100	C.CE.M.CHP	100pF 50V
C2	UB245100	C.CE.M.CHP	0.1uF 25V
C3	UB052100	C.CE.M.CHP	100pF 50V
C4	UB052100	C.CE.M.CHP	100pF 50V
C7	VJ900700	C.CE.M.CHP	33pF 50V
C8	UB245100	C.CE.M.CHP	0.1uF 25V
C9	UB245100	C.CE.M.CHP	0.1uF 25V
C10	UB052100	C.CE.M.CHP	100pF 50V
C11	UB052100	C.CE.M.CHP	100pF 50V
C12	UB052100	C.CE.M.CHP	100pF 50V
C13	UB052100	C.CE.M.CHP	100pF 50V
C14	UB245100	C.CE.M.CHP	0.1uF 25V
C15	UB013100	C.CE.M.CHP	1000pF 50V
C16	VJ900700	C.CE.M.CHP	33pF 50V
C17	UB245100	C.CE.M.CHP	0.1uF 25V
C18	UA954470	C.MYLAR	0.047uF 50V
C19	UA953470	C.MYLAR	4700pF 50V
C20	UB245100	C.CE.M.CHP	0.1uF 25V
C21	UR818100	C.EL	100uF 6.3V
C22	UB052100	C.CE.M.CHP	100pF 50V
C23	UB052100	C.CE.M.CHP	100pF 50V
C24	UB052100	C.CE.M.CHP	100pF 50V
C25	UB052100	C.CE.M.CHP	100pF 50V
C26	UB245100	C.CE.M.CHP	0.1uF 25V
C27	UB245100	C.CE.M.CHP	0.1uF 25V
C28	UB245100	C.CE.M.CHP	0.1uF 25V
C29	UB245100	C.CE.M.CHP	0.1uF 25V
C30	VJ900900	C.CE.M.CHP	39pF 50V
C31	VJ900700	C.CE.M.CHP	33pF 50V
C32	UB052100	C.CE.M.CHP	100pF 50V
C33	UB052100	C.CE.M.CHP	100pF 50V
C34	UB052100	C.CE.M.CHP	100pF 50V
C35	UB245100	C.CE.M.CHP	0.1uF 25V
C36	UR818100	C.EL	100uF 6.3V
C37	UB052100	C.CE.M.CHP	100pF 50V
C38	UB052100	C.CE.M.CHP	100pF 50V
C39	UB052100	C.CE.M.CHP	100pF 50V
C40	UB052100	C.CE.M.CHP	100pF 50V
C41	UB052100	C.CE.M.CHP	100pF 50V
C42	UR818330	C.EL	330uF 6.3V
C43	UR818330	C.EL	330uF 6.3V
C44	UB245100	C.CE.M.CHP	0.1uF 25V
C45	UB245100	C.CE.M.CHP	0.1uF 25V
C46	UB245100	C.CE.M.CHP	0.1uF 25V
C47	UB245100	C.CE.M.CHP	0.1uF 25V
C48	UR818330	C.EL	330uF 6.3V
C50	UB012470	C.CE.M.CHP	470pF 50V
C51	UB245100	C.CE.M.CHP	0.1uF 25V
C52	UB245100	C.CE.M.CHP	0.1uF 25V

* New Parts

Schm Ref	PART NO.	Description	
C53	UR818330	C.EL	330uF 6.3V
C54	UB245100	C.CE.M.CHP	0.1uF 25V
C55	UR818330	C.EL	330uF 6.3V
C56	UB245100	C.CE.M.CHP	0.1uF 25V
C57	UB245100	C.CE.M.CHP	0.1uF 25V
C58	UR818330	C.EL	330uF 6.3V
C59	UB245100	C.CE.M.CHP	0.1uF 25V
C60	UR818100	C.EL	100uF 6.3V
C61	UB245100	C.CE.M.CHP	0.1uF 25V
C62	UR829100	C.EL	1000uF 10V
C63	UR829100	C.EL	1000uF 10V
C64	UR828220	C.EL	220uF 10V
C65	UB245100	C.CE.M.CHP	0.1uF 25V
C66	VE326800	C.MYLAR.ML	0.47uF 50V
C67	UR818100	C.EL	100uF 6.3V
C68	UR865470	C.EL	0.47uF 50V
C69	UA953150	C.MYLAR	1500pF 50V
C70	UA953150	C.MYLAR	1500pF 50V
C71	UR847100	C.EL	10uF 25V
C72	UA953330	C.MYLAR	3300pF 50V
C73	UA953330	C.MYLAR	3300pF 50V
C74	UR847100	C.EL	10uF 25V
C75	UR847100	C.EL	10uF 25V
C76	UA953330	C.MYLAR	3300pF 50V
C77	UA655330	C.MYLAR	0.33uF 50V
C78	UR847100	C.EL	10uF 25V
C79	UR847100	C.EL	10uF 25V
C80	UA953470	C.MYLAR	4700pF 50V
C81	UA953470	C.MYLAR	4700pF 50V
C82	UR847100	C.EL	10uF 25V
C83	UA952100	C.MYLAR	100pF 50V
C84	UA952100	C.MYLAR	100pF 50V
C85	UA952100	C.MYLAR	100pF 50V
C86	UA952220	C.MYLAR	220pF 50V
C87	UR847100	C.EL	10uF 25V
C88	UR847100	C.EL	10uF 25V
C89	UA952100	C.MYLAR	100pF 50V
C90	UA952220	C.MYLAR	220pF 50V
C91	UA952100	C.MYLAR	100pF 50V
C92	UA653470	C.MYLAR	4700pF 50V
C93	UA952100	C.MYLAR	100pF 50V
C94	UA952100	C.MYLAR	100pF 50V
C95	UR847100	C.EL	10uF 25V
C96	UR847100	C.EL	10uF 25V
C97	UA952100	C.MYLAR	100pF 50V
C98	UA952100	C.MYLAR	100pF 50V
C99	UA952100	C.MYLAR	100pF 50V
C100	UR837220	C.EL	22uF 25V
C101	UR847470	C.EL	47uF 25V
C102	VE326800	C.MYLAR.ML	0.47uF 50V
C103	UR847470	C.EL	47uF 25V
C104	UR837220	C.EL	22uF 25V
C105	UA952100	C.MYLAR	100pF 50V

* New Parts

P. C. B. INPUT

Schm Ref	PART NO.	Description		
C135	UR828220	C.EL	220uF	10V
C136	UR837470	C.EL	47uF	16V
C137	UR866220	C.EL	2.2uF	50V
C138	UR837470	C.EL	47uF	16V
C139	UR837470	C.EL	47uF	16V
C140	UR847100	C.EL	10uF	25V(ABGL)
C141	UR847100	C.EL	10uF	25V(ABGL)
C142	VJ599100	C.CE.TUBLR	0.1uF	50V
C143	VJ599100	C.CE.TUBLR	0.1uF	50V
C147	UR837220	C.EL	22uF	25V
C148	UR847100	C.EL	10uF	25V
C149	UR847100	C.EL	10uF	25V
C150	UR837220	C.EL	22uF	25V
C151	UR847100	C.EL	10uF	25V
C152	UR847100	C.EL	10uF	25V
C153	UR847100	C.EL	10uF	25V
C156	UR847100	C.EL	10uF	25V
C157	UR847100	C.EL	10uF	25V
C158	UR847100	C.EL	10uF	25V
C161	VJ599100	C.CE.TUBLR	0.1uF	50V
C162	VJ599100	C.CE.TUBLR	0.1uF	50V
C163	UA952100	C.MYLAR	100pF	50V
C164	UA952100	C.MYLAR	100pF	50V
C165	UA954270	C.MYLAR	0.027uF	50V
C166	UA954270	C.MYLAR	0.027uF	50V
C167	UR847100	C.EL	10uF	25V
C168	UR847100	C.EL	10uF	25V
C169	UA952100	C.MYLAR	100pF	50V
C170	UR837470	C.EL	47uF	16V
C171	UR837470	C.EL	47uF	16V
C172	UA952100	C.MYLAR	100pF	50V
C173	UR847100	C.EL	10uF	25V
C174	UR847100	C.EL	10uF	25V
C175	UA954270	C.MYLAR	0.027uF	50V
C176	UA954270	C.MYLAR	0.027uF	50V
C177	VJ599100	C.CE.TUBLR	0.1uF	50V
C178	VJ599100	C.CE.TUBLR	0.1uF	50V
C179	UR837470	C.EL	47uF	16V
C180	UR837470	C.EL	47uF	16V
C181	VJ599100	C.CE.TUBLR	0.1uF	50V
C183	UR847470	C.EL	47uF	25V
C184	UR847470	C.EL	47uF	25V
C193	VF466800	C.CE.TUBLR	100pF	50V
C194	VF467000	C.CE.TUBLR	1000pF	50V
C195	VF467300	C.CE.TUBLR	0.01uF	16V
C196	VJ599100	C.CE.TUBLR	0.1uF	50V
C197	VF467000	C.CE.TUBLR	1000pF	50V
C198	VF466800	C.CE.TUBLR	100pF	50V
C199	VF466800	C.CE.TUBLR	100pF	50V
C351	VG278400	C.CE.TUBLR	220pF	50V
C352	VG278400	C.CE.TUBLR	220pF	50V
C353	VG278400	C.CE.TUBLR	220pF	50V
C354	VG278400	C.CE.TUBLR	220pF	50V

* New Parts

Schm Ref	PART NO.	Description		
C355	VG278400	C.CE.TUBLR	220pF	50V
C356	VG278400	C.CE.TUBLR	220pF	50V
C357	VF467300	C.CE.TUBLR	0.01uF	16V
C358	VJ599100	C.CE.TUBLR	0.1uF	50V
C359	UR837220	C.EL	22uF	25V
C360	VG276600	C.CE.TUBLR	22pF	50V
C361	VJ599100	C.CE.TUBLR	0.1uF	50V
C362	VJ599100	C.CE.TUBLR	0.1uF	50V
C363	VJ599100	C.CE.TUBLR	0.1uF	50V
C364	VG278400	C.CE.TUBLR	220pF	50V
C365	VF466600	C.CE.TUBLR	10pF	50V
C366	VF467000	C.CE.TUBLR	1000pF	50V
C367	VJ599100	C.CE.TUBLR	0.1uF	50V
C368	VJ599100	C.CE.TUBLR	0.1uF	50V
C369	UR828100	C.EL	100uF	10V
C401	UR866220	C.EL	2.2uF	50V
C402	UA952100	C.MYLAR	100pF	50V
C403	UA952100	C.MYLAR	100pF	50V
C404	UR866220	C.EL	2.2uF	50V
C405	UR866220	C.EL	2.2uF	50V
C406	UR866220	C.EL	2.2uF	50V
C407	UR866220	C.EL	2.2uF	50V
C408	UR866220	C.EL	2.2uF	50V
C409	UN866100	C.EL	1uF	50V
C412	UA953100	C.MYLAR	1000pF	50V
C413	UR828100	C.EL	100uF	10V
C414	UA953100	C.MYLAR	1000pF	50V
C415	UR828100	C.EL	100uF	10V
C418	UR828100	C.EL	100uF	10V
C420	VG287600	C.EL	100uF	25V
C421	UA952100	C.MYLAR	100pF	50V
C422	UR828100	C.EL	100uF	10V
C423	UA952100	C.MYLAR	100pF	50V
C424	UR828100	C.EL	100uF	10V
C425	VG287600	C.EL	100uF	25V
C427	UR828100	C.EL	100uF	10V
C428	UR828100	C.EL	100uF	10V
C430	UA952100	C.MYLAR	100pF	50V
C431	UR828100	C.EL	100uF	10V
C432	UA952100	C.MYLAR	100pF	50V
C433	UR828100	C.EL	100uF	10V
C435	UR828100	C.EL	100uF	10V
C436	VJ599100	C.CE.TUBLR	0.1uF	50V
C451	UR868330	C.EL	330uF	50V
C452	UR868330	C.EL	330uF	50V
C453	UR749680	C.EL	6800uF	25V
C454	UR749220	C.EL	2200uF	25V
C455	UR73A100	C.EL	10000uF	16V
C456	VJ599100	C.CE.TUBLR	0.1uF	50V
C457	VJ599100	C.CE.TUBLR	0.1uF	50V
C458	VS745400	C.POL.MTL	0.1uF	100V
C459	VS745400	C.POL.MTL	0.1uF	100V
C460	VS745400	C.POL.MTL	0.1uF	100V

* New Parts

P. C. B. INPUT & P. C. B. OPERATION
--

Schm Ref	PART NO.	Description	
C461	VS745400	C.POL.MTL	0.1uF 100V
C462	VS745400	C.POL.MTL	0.1uF 100V
D101	VM975300	DIODE.ZENR	HZS11B2TD 11V
D102	VM975300	DIODE.ZENR	HZS11B2TD 11V
D103	VM975300	DIODE.ZENR	HZS11B2TD 11V
D104	VM975300	DIODE.ZENR	HZS11B2TD 11V
D105	VD631600	DIODE	1SS133,176,HSS104
D106	VD631600	DIODE	1SS133,176,HSS104
D351	VD631600	DIODE	1SS133,176,HSS104
D352	VD631600	DIODE	1SS133,176,HSS104
D401	VM974200	DIODE.ZENR	HZS5C2TD 5.0V
△ D451	VR253700	DIODE.BRG	S1NB20 1.0A 200V
△ D452	VR253700	DIODE.BRG	S1NB20 1.0A 200V
△ D453	VR253700	DIODE.BRG	S1NB20 1.0A 200V
IC101	XP894A00	IC	LC78211
IC102	XP896A00	IC	LC78213
IC103	XP895A00	IC	LC78212
IC104	XM356A00	IC	NJM2068LD
IC105	XB247A00	IC	uPC4570HA(ABGL)
IC106	XB247A00	IC	uPC4570HA
IC107	XP265A00	IC	BU2090
IC108	iG092000	IC	M5220L
IC109	iG092000	IC	M5220L
IC351	iG142200	IC	TC74HCU04AP
IC352	XT208A00	IC	HD74HC153P MPX
IC401	XC520A00	IC	uPC4570C
IC402	XC520A00	IC	uPC4570C
IC403	XC520A00	IC	uPC4570C
IC404	XF494A00	IC	LB1641
L351	GE901970	COIL	68uH
L352	GE901970	COIL	68uH
PJ101	VQ260900	JACK.PIN	4P
PJ102	VU857800	JACK.PIN	6P
PJ103	VU857800	JACK.PIN	6P
PJ105	VK437600	JACK.PIN	1P
* PJ351	VT003300	JACK.PIN	6P
PJ352	VY667700	JACK.PIN	1P
Q101	iC287820	TR	2SC2878 A,B
Q102	iC287820	TR	2SC2878 A,B
Q103	iC287820	TR	2SC2878 A,B
Q104	iC287820	TR	2SC2878 A,B
Q105	iC287820	TR	2SC2878 A,B
Q106	iC287820	TR	2SC2878 A,B
Q107	iC287820	TR	2SC2878 A,B
Q108	iC287820	TR	2SC2878 A,B
Q109	iC287820	TR	2SC2878 A,B
Q110	iC287820	TR	2SC2878 A,B
Q111	iC287820	TR	2SC2878 A,B
Q112	iC287820	TR	2SC2878 A,B
Q113	iC287820	TR	2SC2878 A,B
Q114	iC287820	TR	2SC2878 A,B
Q115	VG721700	TR.DGT	DTA144ES
Q116	VG721700	TR.DGT	DTA144ES

* New Parts

Schm Ref	PART NO.	Description	
Q117	VG721700	TR.DGT	DTA144ES
Q118	iC287820	TR	2SC2878 A,B
Q119	iC287820	TR	2SC2878 A,B
Q120	iC287820	TR	2SC2878 A,B
Q121	VG721700	TR.DGT	DTA144ES
Q122	iC287820	TR	2SC2878 A,B
Q123	iC287820	TR	2SC2878 A,B
Q124	VP883000	TR	2SA893A D,E
Q125	VP883000	TR	2SA893A D,E
R141	HV755100	R.CAR.FP	100Ω 1/4W
R154	HV755100	R.CAR.FP	100Ω 1/4W
R155	HV753220	R.CAR.FP	2.2Ω 1/4W
R156	HV753220	R.CAR.FP	2.2Ω 1/4W
R216	HV753220	R.CAR.FP	2.2Ω 1/4W
R217	HV753220	R.CAR.FP	2.2Ω 1/4W
R222	HV753220	R.CAR.FP	2.2Ω 1/4W
R231	HV753220	R.CAR.FP	2.2Ω 1/4W
R232	HV753220	R.CAR.FP	2.2Ω 1/4W
R373	HV753220	R.CAR.FP	2.2Ω 1/4W
R411	HV754100	R.CAR.FP	10Ω 1/4W
R412	HV754100	R.CAR.FP	10Ω 1/4W
R435	HV753680	R.CAR.FP	6.8Ω 1/4W
R451	HV753100	R.CAR.FP	1Ω 1/4W
R452	HV753100	R.CAR.FP	1Ω 1/4W
VR401	VV613500	VR	A100KΩ
*	V5103200	P.C.B.	OPERATION(UC)
*	V5103300	P.C.B.	OPERATION(RT)
*	V5103400	P.C.B.	OPERATION(AL)
*	V5103500	P.C.B.	OPERATION(BG)
CB101	VP798200	CN.BS.PIN	24P
CB102	VQ961600	CN	13P
CB103	VQ961700	CN.BS.PIN	14P
CB301	VK026500	CN.BS.PIN	6P
CB501	VU273300	CN.BS.PIN	33P
CB502	Vi878800	CN.BS.PIN	10P
CB504	Vi878200	CN.BS.PIN	4P
CB505	Vi878200	CN.BS.PIN	4P
CB581	Vi878700	CN.BS.PIN	9P
CB621	Vi878300	CN.BS.PIN	5P
CB721	VQ963400	CN.BS.PIN	13P
CB722	Vi878700	CN.BS.PIN	9P
C101	UR847100	C.EL	10uF 25V
C102	UR877470	C.EL	47uF 63V
C103	UR877100	C.EL	10uF 63V
C106	UR837470	C.EL	47uF 16V
C107	UR847100	C.EL	10uF 25V
C108	UA952220	C.MYLAR	220pF 50V
C109	UR847100	C.EL	10uF 25V
C110	VQ645600	C.MYLAR	100pF 50V
C111	UA952220	C.MYLAR	220pF 50V

* New Parts

P. C. B. OPERATION

Schm Ref	PART NO.	Description		
C112	UR847100	C.EL	10uF	25V
C113	VQ645600	C.MYLAR	100pF	50V
C114	UA952220	C.MYLAR	220pF	50V
C115	UR847100	C.EL	10uF	25V
C116	UA952470	C.MYLAR	470pF	50V
C117	UA952220	C.MYLAR	220pF	50V
C118	UR847100	C.EL	10uF	25V
C119	UA952470	C.MYLAR	470pF	50V
C120	UA952220	C.MYLAR	220pF	50V
C121	UR847100	C.EL	10uF	25V
C122	UA952100	C.MYLAR	100pF	50V
C123	VQ245400	C.PP	33pF	200V
C124	UR838100	C.EL	100uF	16V
C125	UA953100	C.MYLAR	1000pF	50V
C126	VQ245400	C.PP	33pF	200V
C127	UR838100	C.EL	100uF	16V
C128	UA953100	C.MYLAR	1000pF	50V
C129	VR516400	C.CE	15pF	500V
C130	UR837470	C.EL	47uF	16V
C131	UA953100	C.MYLAR	1000pF	50V
C132	VR516400	C.CE	15pF	500V
C133	UR837470	C.EL	47uF	16V
C134	UA953100	C.MYLAR	1000pF	50V
C135	VQ245400	C.PP	33pF	200V
C136	UR837470	C.EL	47uF	16V
C137	UA953100	C.MYLAR	1000pF	50V
C301	VF466800	C.CE.TUBLR	100pF	50V
C302	VF466800	C.CE.TUBLR	100pF	50V
C303	VF466800	C.CE.TUBLR	100pF	50V
C304	VF466800	C.CE.TUBLR	100pF	50V
C305	VF467000	C.CE.TUBLR	1000pF	50V
C306	UR847100	C.EL	10uF	25V
C307	UR829100	C.EL	1000uF	10V
C308	VG276600	C.CE.TUBLR	22pF	50V
C309	UR847100	C.EL	10uF	25V
C310	UR829100	C.EL	1000uF	10V
C311	VF466800	C.CE.TUBLR	100pF	50V
C312	VF467000	C.CE.TUBLR	1000pF	50V
C313	UR847100	C.EL	10uF	25V
C314	VF466800	C.CE.TUBLR	100pF	50V
C315	UR837330	C.EL	33uF	16V
C316	VG276600	C.CE.TUBLR	22pF	50V
C317	UR847100	C.EL	10uF	25V
C318	UR837330	C.EL	33uF	16V
C319	UR847100	C.EL	10uF	25V
C320	VF467000	C.CE.TUBLR	1000pF	50V
C321	UR829100	C.EL	1000uF	10V
C322	UR847100	C.EL	10uF	25V
C323	UR847100	C.EL	10uF	25V
C324	UR829100	C.EL	1000uF	10V
C325	UR847100	C.EL	10uF	25V
C326	UR847100	C.EL	10uF	25V
C327	UR847100	C.EL	10uF	25V

* New Parts

Schm Ref	PART NO.	Description		
C328	UR838330	C.EL	330uF	16V
C329	VJ599100	C.CE.TUBLR	0.1uF	50V
C501	UR866220	C.EL	2.2uF	50V
C502	VG278900	C.CE.TUBLR	680pF	50V
C503	VG278900	C.CE.TUBLR	680pF	50V
C504	UR866100	C.EL	1uF	50V
C505	VJ599100	C.CE.TUBLR	0.1uF	50V
C506	UR819100	C.EL	1000uF	6.3V
C507	UR819100	C.EL	1000uF	6.3V
C508	VS672200	C.EL	4700uF	5.5V
C509	VJ599100	C.CE.TUBLR	0.1uF	50V
C510	UR847100	C.EL	10uF	25V
C511	VJ599100	C.CE.TUBLR	0.1uF	50V
C512	UR847470	C.EL	47uF	25V
C513	VJ599100	C.CE.TUBLR	0.1uF	50V
C514	VJ599100	C.CE.TUBLR	0.1uF	50V
C515	VJ599100	C.CE.TUBLR	0.1uF	50V
C516	VJ599100	C.CE.TUBLR	0.1uF	50V
C581	UR838330	C.EL	330uF	16V
C582	UR838330	C.EL	330uF	16V
C583	UR866100	C.EL	1uF	50V
C584	VK533800	C.PP	47pF	200V
C585	UR866220	C.EL	2.2uF	50V
C586	VK533800	C.PP	47pF	200V
C587	UR866220	C.EL	2.2uF	50V
C588	UR866100	C.EL	1uF	50V
C589	UR837470	C.EL	47uF	16V
C590	UA655120	C.MYLAR	0.12uF	50V
C591	UA954330	C.MYLAR	0.033uF	50V
C592	UA954330	C.MYLAR	0.033uF	50V
C593	UA655120	C.MYLAR	0.12uF	50V
C594	UR837470	C.EL	47uF	16V
C595	UR847100	C.EL	10uF	25V
C596	VQ645600	C.MYLAR	100pF	50V
C597	VQ645600	C.MYLAR	100pF	50V
C598	UR847100	C.EL	10uF	25V
C599	UR828100	C.EL	100uF	10V
C600	UR828100	C.EL	100uF	10V
C621	VJ599100	C.CE.TUBLR	0.1uF	50V
C622	VJ599100	C.CE.TUBLR	0.1uF	50V
C623	VF466800	C.CE.TUBLR	100pF	50V
C624	VF466800	C.CE.TUBLR	100pF	50V
C721	UR857470	C.EL	47uF	35V
C722	UR857470	C.EL	47uF	35V
C723	UR838100	C.EL	100uF	16V
C724	UR838100	C.EL	100uF	16V
C725	UR847470	C.EL	47uF	25V
C726	UR838100	C.EL	100uF	16V
C727	UR847470	C.EL	47uF	25V
C728	UR867470	C.EL	47uF	50V
C729	UR867470	C.EL	47uF	50V
C730	UR838100	C.EL	100uF	16V
C731	UR847470	C.EL	47uF	25V

* New Parts

P. C. B. OPERATION

Schm Ref	PART NO.	Description		Schm Ref	PART NO.	Description	
C732	UR847470	C.EL	47uF 25V		Q116	VP883000	TR 2SA893A D,E
D101	VM976100	DIODE.ZENR	HZS202TD 20V(RT)	△	Q117	VR325600	TR 2SC2229 O,Y
D102	VM975700	DIODE.ZENR	HZS12C2TD 12V		Q118	VP883000	TR 2SA893A D,E
D103	VM976300	DIODE.ZENR	HZS242TD 24V(RT)	△	Q119	VR325600	TR 2SC2229 O,Y
D104	VD631600	DIODE	1SS133,176,HSS104		Q301	iA101510	TR 2SA1015 Y
D105	VD631600	DIODE	1SS133,176,HSS104		Q302	iC181510	TR 2SC1815 Y
D501	VD631600	DIODE	1SS133,176,HSS104		Q303	iA101510	TR 2SA1015 Y
D502	VD631600	DIODE	1SS133,176,HSS104		Q304	iC181510	TR 2SC1815 Y
D503	VD631600	DIODE	1SS133,176,HSS104		Q305	iC181510	TR 2SC1815 Y
D504	VD631600	DIODE	1SS133,176,HSS104		Q306	iC181510	TR 2SC1815 Y
D505	VM974100	DIODE.ZENR	HZS5B2TD 5.0V		Q307	iC174020	TR 2SC1740S R,S
D506	VM974100	DIODE.ZENR	HZS5B2TD 5.0V		Q501	iA093320	TR 2SA933S Q,R
D507	VD631600	DIODE	1SS133,176,HSS104		Q502	iA093320	TR 2SA933S Q,R
D508	VM974700	DIODE.ZENR	HZS7B2TD 7.0V		Q503	VG722000	TR.DGT DTC144ES
D509	VD631600	DIODE	1SS133,176,HSS104		Q504	iA093320	TR 2SA933S Q,R
D510	VD631600	DIODE	1SS133,176,HSS104		Q505	VR948600	TR 2SC4038 Q,R,S
D511	VM974400	DIODE.ZENR	HZS6B2TD 6.0V(RT)		Q506	VR948600	TR 2SC4038 Q,R,S
D511	VM974600	DIODE.ZENR	HZS7A2TD 7V(UCABGL)		Q721	VP872700	TR 2SC4488 S,T
D512	VD631600	DIODE	1SS133,176,HSS104		Q722	VP872600	TR 2SA1708 S,T
D721	VM976300	DIODE.ZENR	HZS242TD 24V		R101	HV753100	R.CAR.FP 1Ω 1/4W
D722	VM976300	DIODE.ZENR	HZS242TD 24V		R102	HV756330	R.CAR.FP 3.3KΩ 1/4W
G501	VR463400	TERM.GND	D3.5 TP00385		R110	HV756180	R.CAR.FP 1.8KΩ 1/4W
IC301	XH436A00	IC	LA7956		R111	HV756820	R.CAR.FP 8.2KΩ 1/4W
IC302	XH436A00	IC	LA7956	△	R132	HV754470	R.CAR.FP 47Ω 1/4W
IC303	XH436A00	IC	LA7956	△	R138	HV754470	R.CAR.FP 47Ω 1/4W
* IC501	XY170B00	IC.CPU	M30217MA-A202FP	△	R144	HV754470	R.CAR.FP 47Ω 1/4W
IC502	XJ757A00	IC	NJM78L05A-T3	△	R150	HV754470	R.CAR.FP 47Ω 1/4W
IC581	XM356A00	IC	NJM2068LD	△	R156	HV754470	R.CAR.FP 47Ω 1/4W
IC582	XM356A00	IC	NJM2068LD		R334	HV753220	R.CAR.FP 2.2Ω 1/4W
△ IC721	XJ608A00	IC	NJM7812FA		R337	HV753220	R.CAR.FP 2.2Ω 1/4W
△ IC722	XD343A00	IC	NJM79M12FA		R581	VP939800	R.MTL.OXD 10Ω 1W
△ IC723	XJ608A00	IC	NJM7812FA		R582	VP939800	R.MTL.OXD 10Ω 1W
△ IC724	XJ604A00	IC	NJM78M05FA		R721	VP940400	R.MTL.OXD 100Ω 1W
JK301	VP113600	CN.DIN	2P		R724	VP940400	R.MTL.OXD 100Ω 1W
JK302	VP113600	CN.DIN	2P		R725	HV753100	R.CAR.FP 1Ω 1/4W
PJ301	VR110100	JACK.PIN	2P		R726	HV753100	R.CAR.FP 1Ω 1/4W
PJ302	VJ695900	JACK.PIN	3P		R729	HV753100	R.CAR.FP 1Ω 1/4W
PJ621	VS549000	JACK.PIN	3P		R730	VP939600	R.MTL.FLM 2.2Ω 1W
Q101	VP883100	TR	2SC1890A D,E(RT)		SW501	V4586200	SW.RT.ENC REB161PVB20F
Q102	VS883300	TR	2SB1565 E,F		SW502	VG392900	SW.TACT SKHVAA
Q103	VP883100	TR	2SC1890A D,E		SW503	VG392900	SW.TACT SKHVAA
Q104	VP872700	TR	2SC4488 S,T		SW504	VG392900	SW.TACT SKHVAA
Q105	VP883000	TR	2SA893A D,E		SW505	VG392900	SW.TACT SKHVAA
Q106	VP883000	TR	2SA893A D,E		SW506	VG392900	SW.TACT SKHVAA
Q107	VP883000	TR	2SA893A D,E		SW507	VG392900	SW.TACT SKHVAA
Q108	VP883000	TR	2SA893A D,E		SW508	VG392900	SW.TACT SKHVAA
Q109	VP883000	TR	2SA893A D,E		SW509	VG392900	SW.TACT SKHVAA
Q110	VP883000	TR	2SA893A D,E		SW510	VG392900	SW.TACT SKHVAA
△ Q111	VR325600	TR	2SC2229 O,Y		SW511	VG392900	SW.TACT SKHVAA
△ Q112	VP883000	TR	2SA893A D,E		SW512	VG392900	SW.TACT SKHVAA
△ Q113	VR325600	TR	2SC2229 O,Y		SW513	VG392900	SW.TACT SKHVAA
△ Q114	VP883000	TR	2SA893A D,E		SW514	VG392900	SW.TACT SKHVAA
△ Q115	VR325600	TR	2SC2229 O,Y		SW515	VG392900	SW.TACT SKHVAA

* New Parts

* New Parts

P. C. B. OPERATION & P. C. B. MAIN

Schm Ref	PART NO.	Description		Schm Ref	PART NO.	Description	
SW516	VG392900	SW.TACT	SKHVAA	C215	UR867470	C.EL	47uF 50V
SW517	VG392900	SW.TACT	SKHVAA	C216	VR325000	C.MYLAR	100pF 100V
SW518	VG392900	SW.TACT	SKHVAA	C217	VR325000	C.MYLAR	100pF 100V
U501	VU591000	L.DTCT	GP1U271X	C218	UR867470	C.EL	47uF 50V
*V501	V4193300	FL.DSPLY	16-BT-71GK	C219	UR867470	C.EL	47uF 50V
VR581	VP741800	VR	B20KΩ	C220	VR325000	C.MYLAR	100pF 100V
VR582	VP741900	VR	G25KΩ	C221	VK399200	C.MYLAR.ML	0.39uF 50V
VR583	VP742000	VR	MN100KΩ	C222	VK399200	C.MYLAR.ML	0.39uF 50V
XL501	V4610100	RSNR.CE	10MHz	C223	UA954680	C.MYLAR	0.068uF 50V
	VS588900	SHEET		C224	UA954680	C.MYLAR	0.068uF 50V
	V4186900	SPACER	FL-WIDE	C225	UA954680	C.MYLAR	0.068uF 50V
	V4040500	SCR.TERM	M3	C226	UA954680	C.MYLAR	0.068uF 50V
				C227	UA954680	C.MYLAR	0.068uF 50V
				C228	UR866470	C.EL	4.7uF 50V
				C230	UR877100	C.EL	10uF 63V
*	V5104300	P.C.B.	MAIN(RT)	C231	UR877100	C.EL	10uF 63V
*	V5104400	P.C.B.	MAIN(A)	C232	UR867470	C.EL	47uF 50V
*	V5104500	P.C.B.	MAIN(B)	C233	UR866470	C.EL	4.7uF 50V
*	V5104600	P.C.B.	MAIN(GL)	C234	UR837470	C.EL	47uF 16V
*	V5104700	P.C.B.	MAIN(UC)	C235	UR837470	C.EL	47uF 16V
CB201	VQ963500	CN.BS.PIN	14P	C236	UA954100	C.MYLAR	0.01uF 50V(ABGL)
CB202	VQ585000	CN.BS.PIN	8P	C237	UA954100	C.MYLAR	0.01uF 50V(ABGL)
CB203	VF728200	CN.BS.PIN	10P	C238	UA954100	C.MYLAR	0.01uF 50V(ABGL)
CB204	VK024800	CN.BS.PIN	4P	C239	UA954220	C.MYLAR	0.022uF 50V(ABGL)
CB205	VK024700	CN.BS.PIN	3P	C240	UA954220	C.MYLAR	0.022uF 50V(ABGL)
CB351	VQ585000	CN.BS.PIN	8P	C241	VR325100	C.MYLAR	0.01uF 100V
CB352	VQ585100	CN.BS.PIN	9P	C242	VR325100	C.MYLAR	0.01uF 100V
CB371	VQ585100	CN.BS.PIN	9P	C243	VR325100	C.MYLAR	0.01uF 100V
CB381	Vi878100	CN.BS.PIN	3P	C244	VR325100	C.MYLAR	0.01uF 100V
CB382	Vi878800	CN.BS.PIN	10P	C351	UA954100	C.MYLAR	0.01uF 50V(ABGL)
CB801	Vi878800	CN.BS.PIN	10P	C352	UA954100	C.MYLAR	0.01uF 50V(ABGL)
CB806	Vi878200	CN.BS.PIN	4P	C353	UA954100	C.MYLAR	0.01uF 50V(ABGL)
CB810	VP206500	HOLDER.FUS	EYF-52BC(GL)	C354	UA954100	C.MYLAR	0.01uF 50V(ABGL)
CB811	VP206500	HOLDER.FUS	EYF-52BC(GL)	C355	UA954220	C.MYLAR	0.022uF 50V(ABGL)
CB812	VG879900	CN.BS.PIN	2P	C356	UA954220	C.MYLAR	0.022uF 50V(ABGL)
CB813	VP206500	HOLDER.FUS	EYF-52BC	C373	UA954100	C.MYLAR	0.01uF 50V(ABGL)
CB814	VP206500	HOLDER.FUS	EYF-52BC	C374	UA954100	C.MYLAR	0.01uF 50V(ABGL)
CB901	VP206500	HOLDER.FUS	EYF-52BC(RT)	C375	UA954100	C.MYLAR	0.01uF 50V(ABGL)
CB902	VP206500	HOLDER.FUS	EYF-52BC(RT)	△ C381	UR868100	C.EL	100uF 50V
C201	VR325000	C.MYLAR	100pF 100V	△ C382	UR878100	C.EL	100uF 63V
C202	UR867470	C.EL	47uF 50V	△* C801	V4926300	C.EL	8200uF 63V(UC)
C203	UR867470	C.EL	47uF 50V	△ C801	VV951800	C.EL	8200uF 56V(ABGLRT)
C204	VR325000	C.MYLAR	100pF 100V	△* C802	V4926300	C.EL	8200uF 63V(UC)
C205	VR325000	C.MYLAR	100pF 100V	△ C802	VV951800	C.EL	8200uF 56V(ABGLRT)
C206	UR867470	C.EL	47uF 50V	C803	VS745400	C.POL.MTL	0.1uF 100V
C207	UR867470	C.EL	47uF 50V	C804	VS745400	C.POL.MTL	0.1uF 100V
C208	VR325000	C.MYLAR	100pF 100V	C825	VJ599100	C.CE.TUBLR	0.1uF 50V
C209	VR325000	C.MYLAR	100pF 100V	C826	UR848220	C.EL	220uF 25V(RT)
C210	UR867470	C.EL	47uF 50V	△ C826	UR848470	C.EL	470uF 25V(UCABGL)
C211	UR867470	C.EL	47uF 50V	C835	FG613100	C.CE	1000pF 50V(RT)
C212	VR325000	C.MYLAR	100pF 100V	△ C836	UR858100	C.EL	100uF 35V(RT)
C213	VR325000	C.MYLAR	100pF 100V	C837	Vi716700	C.MYLAR	0.01uF 50V
C214	UR867470	C.EL	47uF 50V	△ C838	UR858100	C.EL	100uF 35V(RT)

* New Parts

* New Parts

P. C. B. MAIN

Schm Ref	PART NO.	Description		Schm Ref	PART NO.	Description	
△ C842	UA954100	C.MYLAR	0.01uF 50V	△ Q208	iC174020	TR	2SC1740S R,S
△ C847	VS741700	C.CE.SAFTY	0.01uF 275V	△ Q209	VP872600	TR	2SA1708 S,T
D201	VN008700	DIODE	1SS270A	△ Q210	VP872700	TR	2SC4488 S,T
D202	VN008700	DIODE	1SS270A	△ Q211	iC174020	TR	2SC1740S R,S
D203	VN008700	DIODE	1SS270A	△ Q212	VP872600	TR	2SA1708 S,T
D204	VN008700	DIODE	1SS270A	△ Q213	VP872700	TR	2SC4488 S,T
D205	VN008700	DIODE	1SS270A	△ Q214	iC174020	TR	2SC1740S R,S
D206	VM975600	DIODE.ZENR	HZS12B2TD 12V	△ Q215	VP872600	TR	2SA1708 S,T
D207	VM976500	DIODE.ZENR	HZS302TD 30V	△ Q216	VR355900	TR.PAIR	2SA1695/C4468 OPY
D208	VM975600	DIODE.ZENR	HZS12B2TD 12V	△ Q218	VR355900	TR.PAIR	2SA1695/C4468 OPY
D209	VM975600	DIODE.ZENR	HZS12B2TD 12V	△ Q220	VR355900	TR.PAIR	2SA1695/C4468 OPY
D210	VN008700	DIODE	1SS270A	△ Q222	VR355900	TR.PAIR	2SA1695/C4468 OPY
D211	VN008700	DIODE	1SS270A	△ Q224	VR355900	TR.PAIR	2SA1695/C4468 OPY
D212	VN008700	DIODE	1SS270A	Q226	iA097030	TR	2SA970 GR,BL
D213	VM974100	DIODE.ZENR	HZS5B2TD 5.0V	△ Q227	VP883100	TR	2SC1890A D,E
D214	VN008700	DIODE	1SS270A	△ Q228	VP883100	TR	2SC1890A D,E
D215	VN008700	DIODE	1SS270A	△ Q229	VP883100	TR	2SC1890A D,E
D216	VD631600	DIODE	1SS133,176,HSS104	△ Q230	VP883100	TR	2SC1890A D,E
D217	VD631600	DIODE	1SS133,176,HSS104	△ Q231	VP883100	TR	2SC1890A D,E
D218	VD631600	DIODE	1SS133,176,HSS104	Q232	iA1015I0	TR	2SA1015 Y
D219	VD631600	DIODE	1SS133,176,HSS104	Q233	iC224030	TR	2SC2240 GR,BL
D220	VD631600	DIODE	1SS133,176,HSS104	Q234	iC224030	TR	2SC2240 GR,BL
D221	VM975600	DIODE.ZENR	HZS12B2TD 12V	Q807	iC174020	TR	2SC1740S R,S
D222	VM975600	DIODE.ZENR	HZS12B2TD 12V	△ Q808	VR510800	TR	2SD2396 J,K(RT)
D223	VM975600	DIODE.ZENR	HZS12B2TD 12V	R201	VP941500	R.MTL.OXD	4.7KΩ 1W
D381	VS997800	DIODE	1T2	R202	VP941500	R.MTL.OXD	4.7KΩ 1W
D382	VS997800	DIODE	1T2	R203	VP941500	R.MTL.OXD	4.7KΩ 1W
D383	VS997800	DIODE	1T2	R204	VP941500	R.MTL.OXD	4.7KΩ 1W
△ D801	VN011400	DIODE.BRG	D5SB20 5A 200V	R205	VP941500	R.MTL.OXD	4.7KΩ 1W
△ D814	VD631600	DIODE	1SS133,176,HSS104	R206	VP941500	R.MTL.OXD	4.7KΩ 1W
△ D815	VR253700	DIODE.BRG	S1NB20 1.0A 200V	R207	VP941500	R.MTL.OXD	4.7KΩ 1W
△ D816	VM975300	DIODE.ZENR	HZS11B2TD 11V(RT)	R208	VP941500	R.MTL.OXD	4.7KΩ 1W
△ F803	VT942900	FUSE	TH2.5A 250V(GL)	R209	VP941500	R.MTL.OXD	4.7KΩ 1W
△ F804	KB000690	FUSE	T2.5A 250V(A)	R210	VP941500	R.MTL.OXD	4.7KΩ 1W
△ F804	VS823100	FUSE	6.0A 125V(RT)	△ R211	HV756270	R.CAR.FP	2.7KΩ 1/4W
△ F901	KB000690	FUSE	T2.5A 250V(RT)	△ R213	HV755820	R.CAR.FP	820Ω 1/4W
G201	VR463400	TERM.GND	D3.5 TP00385	△ R214	HV755330	R.CAR.FP	330Ω 1/4W
G801	VR463400	TERM.GND	D3.5 TP00385	△ R215	HV756100	R.CAR.FP	1KΩ 1/4W
HS801	V2692300	HEAT.SINK	BPUE36-30	△ R216	HV756270	R.CAR.FP	2.7KΩ 1/4W
HS802	V2984900	HEAT.SINK	PUH16-25(RT)	△ R218	HV755820	R.CAR.FP	820Ω 1/4W
JK371	VS899700	JACK.PHONE	JY-6317-02-030	△ R219	HV755330	R.CAR.FP	330Ω 1/4W
L201	V2604200	COIL	1uH	△ R220	HV756100	R.CAR.FP	1KΩ 1/4W
L202	V2604200	COIL	1uH	△ R221	HV756270	R.CAR.FP	2.7KΩ 1/4W
L203	V2604200	COIL	1uH	△ R223	HV755820	R.CAR.FP	820Ω 1/4W
L204	V2604200	COIL	1uH	△ R224	HV755330	R.CAR.FP	330Ω 1/4W
L205	V2604200	COIL	1uH	△ R225	HV756100	R.CAR.FP	1KΩ 1/4W
△ Q201	VP872700	TR	2SC4488 S,T	△ R226	HV756270	R.CAR.FP	2.7KΩ 1/4W
△ Q202	iC174020	TR	2SC1740S R,S	△ R228	HV755820	R.CAR.FP	820Ω 1/4W
△ Q203	VP872600	TR	2SA1708 S,T	△ R229	HV755330	R.CAR.FP	330Ω 1/4W
△ Q204	VP872700	TR	2SC4488 S,T	△ R230	HV756100	R.CAR.FP	1KΩ 1/4W
△ Q205	iC174020	TR	2SC1740S R,S	△ R231	HV756270	R.CAR.FP	2.7KΩ 1/4W
△ Q206	VP872600	TR	2SA1708 S,T	△ R233	HV755820	R.CAR.FP	820Ω 1/4W
△ Q207	VP872700	TR	2SC4488 S,T	△ R234	HV755330	R.CAR.FP	330Ω 1/4W

* New Parts

* New Parts

P. C. B. MAIN

Schm Ref	PART NO.	Description	
△ R235	HV756100	R.CAR.FP	1KΩ 1/4W
△ R236	HV753470	R.CAR.FP	4.7Ω 1/4W
△ R239	VU981700	R.MTL.PLAT	0.22Ω+0.22Ω 3W
△ R242	HV753470	R.CAR.FP	4.7Ω 1/4W
△ R243	HV753470	R.CAR.FP	4.7Ω 1/4W
△ R245	VU981700	R.MTL.PLAT	0.22Ω+0.22Ω 3W
△ R249	HV753470	R.CAR.FP	4.7Ω 1/4W
△ R250	HV753470	R.CAR.FP	4.7Ω 1/4W
△ R252	VU981700	R.MTL.PLAT	0.22Ω+0.22Ω 3W
△ R254	HV753470	R.CAR.FP	4.7Ω 1/4W
△ R255	HV753470	R.CAR.FP	4.7Ω 1/4W
△ R258	VU981700	R.MTL.PLAT	0.22Ω+0.22Ω 3W
△ R259	HV753470	R.CAR.FP	4.7Ω 1/4W
△ R260	HV753470	R.CAR.FP	4.7Ω 1/4W
△ R262	VU981700	R.MTL.PLAT	0.22Ω+0.22Ω 3W
△ R264	HV753470	R.CAR.FP	4.7Ω 1/4W
△ R269	HV754100	R.CAR.FP	10Ω 1/4W
△ R270	VP939800	R.MTL.OXD	10Ω 1W
△ R274	HV754100	R.CAR.FP	10Ω 1/4W
△ R275	VP939800	R.MTL.OXD	10Ω 1W
△ R279	HV754100	R.CAR.FP	10Ω 1/4W
△ R280	VP939800	R.MTL.OXD	10Ω 1W
△ R284	HV754100	R.CAR.FP	10Ω 1/4W
△ R285	VP939800	R.MTL.OXD	10Ω 1W
△ R289	HV754100	R.CAR.FP	10Ω 1/4W
△ R290	VP939800	R.MTL.OXD	10Ω 1W
△ R294	VP940700	R.MTL.OXD	330Ω 1W(RT)
△ R295	VP941100	R.MTL.OXD	1KΩ 1W
△ R297	VP940700	R.MTL.OXD	330Ω 1W(RT)
△ R298	VP940700	R.MTL.OXD	330Ω 1W(RT)
△ R309	HV753100	R.CAR.FP	1Ω 1/4W
△ R310	HV753100	R.CAR.FP	1Ω 1/4W
△ R311	HV753100	R.CAR.FP	1Ω 1/4W
△ R312	HV753100	R.CAR.FP	1Ω 1/4W
△ R373	VP944500	R.MTL.OXD	390Ω 1W
△ R374	VP944500	R.MTL.OXD	390Ω 1W
△ R381	HV753100	R.CAR.FP	1Ω 1/4W
△ R382	HV753100	R.CAR.FP	1Ω 1/4W
△ R383	HV753100	R.CAR.FP	1Ω 1/4W
△ R804	HV756560	R.CAR.FP	5.6KΩ 1/4W(RT)
△ R806	HV756560	R.CAR.FP	5.6KΩ 1/4W(RT)
△ RY201	VK438300	RELAY	DH24D2-OT/M2
△ RY202	VK438300	RELAY	DH24D2-OT/M2
△ RY203	VU566700	RELAY	DG24D2-OS/M
△ RY800	V2712300	RELAY	DC SDT-S-112LMR
△ SW371	VV523900	SW.PUSH	PBS-YM-001
△ SW801	V4104200	SW.SLIDE	SL13B-022-AMCS(RT)
△ SW901	VA961800	VOLT.SELCT	ESE-37247-F(RT)
△ T800	XW606A00	TRANS.PWR	(UC)
△ T800	XW607A00	TRANS.PWR	(RT)
△ T800	XW608A00	TRANS.PWR	(ABGL)
△ TE201	V4470700	TERM.SP	6P(AUCRT)
△ TE201	V4470900	TERM.SP	6P(BGL)

* New Parts

Schm Ref	PART NO.	Description	
△ TE351	VC313700	TERM.SP	8P(UCRTA)
△ TE351	V4811400	TERM.SP	8P(BGL)
△ TE800	V4746400	OUTLET.AC	2P(RT)
△ TE800	VT915000	OUTLET.AC	2P(A)
△ TE800	VU543100	OUTLET.AC	2P(UC)
△ TE800	VU543300	OUTLET.AC	1P(B)
△ TE800	VU543400	OUTLET.AC	2P(GL)
△	V3750200	PIN	L=70
△	V4040500	SCR.TERM	M3
△	EP600140	SCR.BND.HD	3x10 MFZN2-BL

* New Parts

P. C. B. TUNER

• Lead Type

Schm Ref	PART NO.	Description	
	V2518600	P.C.B.	TUNER/TU-01NC(UC)
	V2518700	P.C.B.	TUNER/TU-01NC(RT)
	V2518800	P.C.B.	TUNERTU-01NC(ABGL)
	V2518900	P.C.B.	TUNERTU01RDSNC(BG)
CB4	VQ961900	CN	16P
C1	VG287600	C.EL	100uF 25V
C3	VG275800	C.CE.TUBLR	8.2pF 50V
C4	UR837470	C.EL	47uF 16V
C5	VF467300	C.CE.TUBLR	0.01uF 16V
C6	UR837470	C.EL	47uF 16V
C7	UM416100	C.EL	1uF 50V
C8	VF467300	C.CE.TUBLR	0.01uF 16V
C9	VF467300	C.CE.TUBLR	0.01uF 16V
C10	VF467300	C.CE.TUBLR	0.01uF 16V
C11	VF467000	C.CE.TUBLR	1000pF 50V
C12	UM397100	C.EL	10uF 16V
C13	UM397100	C.EL	10uF 16V
C14	FG652100	C.CE	100pF 50V
C15	VF467000	C.CE.TUBLR	1000pF 50V
C16	VF466700	C.CE.TUBLR	47pF 50V
C17	UR837470	C.EL	47uF 16V
C19	VA760600	C.CE	10pF 50V
C20	VG287600	C.EL	100uF 25V
C21	VJ599000	C.CE.TUBLR	0.047uF 16V
C22	VG290700	C.EL	3.3uF 50V
C23	VF467300	C.CE.TUBLR	0.01uF 16V
C24	UM406470	C.EL	4.7uF 50V
C25	UM416330	C.EL	3.3uF 50V
C26	UM397100	C.EL	10uF 16V
C27	VF467300	C.CE.TUBLR	0.01uF 16V
C28	VA760600	C.CE	10pF 50V
C29	UM416100	C.EL	1uF 50V
C30	UM416100	C.EL	1uF 50V
C31	VG287600	C.EL	100uF 25V
C32	UM415470	C.EL	0.47uF 50V
C33	UM416100	C.EL	1uF 50V
C34	UA954470	C.MYLAR	0.047uF 50V
C35	VG290700	C.EL	3.3uF 50V
C36	UA952270	C.MYLAR	270pF 50V(ABGL)
C36	UA953100	C.MYLAR	1000pF 50V(UCRT)
C36	V3451700	C.PP	270pF 100V(RDS BG)
C37	UA952270	C.MYLAR	270pF 50V(ABGL)
C37	UA953100	C.MYLAR	1000pF 50V(UCRT)
C37	V3451700	C.PP	270pF 100V(RDS BG)
C38	VF466900	C.CE.TUBLR	470pF 50V
C39	VG287200	C.EL	10uF 50V
C39	VQ082700	C.EL	10uF 16V(RDS BG)
C40	VE020000	C.EL	3.3uF 50V(RDS BG)
C40	VG290700	C.EL	3.3uF 50V
C41	UA953390	C.MYLAR	3900pF 50V
C41	VL884100	C.PP	3900pF 100V(RDS BG)
C42	UM397220	C.EL	22uF 25V
C43	UA953390	C.MYLAR	3900pF 50V

* New Parts

Schm Ref	PART NO.	Description	
C43	VL884100	C.PP	3900pF 100V(RDS BG)
C44	VE020000	C.EL	3.3uF 50V(RDS BG)
C44	VG290700	C.EL	3.3uF 50V
C45	UR837470	C.EL	47uF 16V
C46	UR837470	C.EL	47uF 16V
C47	VG278600	C.CE.TUBLR	330pF 50V
C48	VG278800	C.CE.TUBLR	560pF 50V
C49	UA952120	C.MYLAR	120pF 50V(ABGL)
C49	UA953220	C.MYLAR	2200pF 50V(UCRT)
C49	V3451600	C.PP	120pF 100V(RDS BG)
C50	VJ599000	C.CE.TUBLR	0.047uF 16V
C51	UR837470	C.EL	47uF 16V
C52	UR837470	C.EL	47uF 16V
C53	UR837470	C.EL	47uF 16V
C54	VA761100	C.CE	27pF 50V
C55	VA761100	C.CE	27pF 50V
C56	VJ599000	C.CE.TUBLR	0.047uF 16V
C57	VG278600	C.CE.TUBLR	330pF 50V
C59	VF467300	C.CE.TUBLR	0.01uF 16V(UC)
D1	VD631600	DIODE	1SS133,176,HSS104
D2	VD631600	DIODE	1SS133,176,HSS104
D3	VG437700	DIODE.ZENR	MTZJ5.6B 5.6V
Fi1	GG000560	FLTR.CE	SFE10.7MS3GHY-A
Fi2	GG000560	FLTR.CE	SFE10.7MS3GHY(UCRT)
Fi2	V4545200	FLTR.CE	SFE10.7MJA1(ABGL)
Fi3	VC219000	FLTR.CE	SFZ450JL3
IC1	XB760A00	IC	LA1266
IC2	XQ944A00	IC	LC72131
IC3	iG158100	IC	LA3401
IC4	XY534A00	IC	LC72722(RDS BG)
L1	Vi546100	COIL	220uH
L2	Vi546100	COIL	220uH
L3	Vi546100	COIL	220uH
L4	Vi546100	COIL	220uH
L5	Vi546100	COIL	220uH
PK1	V2716700	TUNER.PK	ENV172A4G1(ABGL)
PK1	V2909100	TUNER.PK	ENV-172C8G1R(UCRT)
PK2	VU333700	COIL.RF.AM	940536051A
Q1	iC053540	TR	2SC535 A,B,C
Q2	iC053540	TR	2SC535 A,B,C
Q3	VD678500	TR.DGT	DTA114ES
Q4	iC174020	TR	2SC1740S R,S
Q5	VG722000	TR.DGT	DTC144ES
Q6	iC181510	TR	2SC1815 Y
Q7	VD678500	TR.DGT	DTA114ES
R56	HV754470	R.CAR.FP	47Ω 1/4W(ABGL)
R56	HV755100	R.CAR.FP	100Ω 1/4W(UCRT)
SW1	VS602600	SW.SLIDE	SS070-P022 A(RT)
T1	V3725400	COIL.DT	10.7MHZ 104A
T2	VR895700	COIL.IF	450KHz
T3	VT486800	COIL	XYA2(ABGL)
T4	VQ138200	FLTR.LC	19KHz
T5	VQ138200	FLTR.LC	19KHz

* New Parts

P. C. B. TUNER

Schm Ref	PART NO.	Description	
TE1	VU477800	TERM.ANT	AJ-2038-040
TP1	VT969000	PIN.TEST	IRS-2049
TP2	VT969000	PIN.TEST	IRS-2049
VR1	VJ694000	VR.TRIM	B47KΩ
VR2	VJ694000	VR.TRIM	B47KΩ
XL1	VY734600	RSNR.CRYS	7.2MHz
XL2	GG000750	RSNR.CE	456KHz
XL3	V3930900	RSNR.CRYS	4.332MHz
	BB071360	SCR.TERM	8.3x13
	VR282500	PLATE	ANT.

* New Parts

• Lead Type & SMD

Schm Ref	PART NO.	Description	
	V2519300	P.C.B.	TUNER/TU-01CP(UC)
	V2519400	P.C.B.	TUNER/TU-01CP(RT)
	V2519500	P.C.B.	TUNER/TU-01CP(ABGL)
	V2519600	P.C.B.	TUNERTU01RDSCP(BG)
CB4	VQ961900	CN	16P
C1	VG287600	C.EL	100uF 25V
C3	UB050800	C.CE.M.CHP	8pF 50V
C4	UR837470	C.EL	47uF 16V
C5	UB044100	C.CE.M.CHP	0.01uF 50V
C6	UR837470	C.EL	47uF 16V
C7	UM416100	C.EL	1uF 50V
C8	UB044100	C.CE.M.CHP	0.01uF 50V
C9	UB044100	C.CE.M.CHP	0.01uF 50V
C10	UB044100	C.CE.M.CHP	0.01uF 50V
C11	UB013100	C.CE.M.CHP	1000pF 50V
C12	UM397100	C.EL	10uF 16V
C13	UM397100	C.EL	10uF 16V
C14	FG652100	C.CE	100pF 50V
C15	UB013100	C.CE.M.CHP	1000pF 50V
C16	UB051470	C.CE.M.CHP	47pF 50V
C17	UR837470	C.EL	47uF 16V
C19	VA760600	C.CE	10pF 50V
C20	VG287600	C.EL	100uF 25V
C21	UB044470	C.CE.M.CHP	0.047uF 50V
C22	VG290700	C.EL	3.3uF 50V
C23	UB044100	C.CE.M.CHP	0.01uF 50V
C24	UM406470	C.EL	4.7uF 50V
C25	UM416330	C.EL	3.3uF 50V
C26	UM397100	C.EL	10uF 16V
C27	UB044100	C.CE.M.CHP	0.01uF 50V
C28	VA760600	C.CE	10pF 50V
C29	UM416100	C.EL	1uF 50V
C30	UM416100	C.EL	1uF 50V

* New Parts

Schm Ref	PART NO.	Description	
C31	VG287600	C.EL	100uF 25V
C32	UM415470	C.EL	0.47uF 50V
C33	UM416100	C.EL	1uF 50V
C34	UA954470	C.MYLAR	0.047uF 50V
C35	VG290700	C.EL	3.3uF 50V
C36	UA952270	C.MYLAR	270pF 50V(ABGL)
C36	UA953100	C.MYLAR	1000pF 50V(UCRT)
C36	V3451700	C.PP	270pF 100V(RDS BG)
C37	UA952270	C.MYLAR	270pF 50V(ABGL)
C37	UA953100	C.MYLAR	1000pF 50V(UCRT)
C37	V3451700	C.PP	270pF 100V(RDS BG)
C38	UB012470	C.CE.M.CHP	470pF 50V
C39	VG287200	C.EL	10uF 50V
C39	VQ082700	C.EL	10uF 16V(RDS BG)
C40	VE020000	C.EL	3.3uF 50V(RDS BG)
C40	VG290700	C.EL	3.3uF 50V
C41	UA953390	C.MYLAR	3900pF 50V
C41	VL884100	C.PP	3900pF 100V(RDS BG)
C42	UM397220	C.EL	22uF 25V
C43	UA953390	C.MYLAR	3900pF 50V
C43	VL884100	C.PP	3900pF 100V(RDS BG)
C44	VE020000	C.EL	3.3uF 50V(RDS BG)
C44	VG290700	C.EL	3.3uF 50V
C45	UR837470	C.EL	47uF 16V
C46	UR837470	C.EL	47uF 16V
C47	UB012330	C.CE.M.CHP	330pF 50V
C48	UB012560	C.CE.M.CHP	560pF 50V
C49	UA952120	C.MYLAR	120pF 50V(ABGL)
C49	UA953220	C.MYLAR	2200pF 50V(UCRT)
C49	V3451600	C.PP	120pF 100V(RDS BG)
C50	UB044470	C.CE.M.CHP	0.047uF 50V
C51	UR837470	C.EL	47uF 16V
C52	UR837470	C.EL	47uF 16V
C53	UR837470	C.EL	47uF 16V
C54	VA761100	C.CE	27pF 50V
C55	VA761100	C.CE	27pF 50V
C56	UB044470	C.CE.M.CHP	0.047uF 50V
C57	UB012330	C.CE.M.CHP	330pF 50V
C59	VF467300	C.CE.TUBLR	0.01uF 16V(UC)
D1	VT332900	DIODE	1SS355
D2	VT332900	DIODE	1SS355
D3	VU172000	DIODE.ZENR	UDZS5.6BTE-17 5.6V
Fi1	GG000560	FLTR.CE	SFE10.7MS3GHY-A
Fi2	GG000560	FLTR.CE	SFE10.7MS3GHY(UCRT)
Fi2	V4545200	FLTR.CE	SFE10.7MJA1(ABGL)
Fi3	VC219000	FLTR.CE	SFZ450JL3
IC1	XB760A00	IC	LA1266
IC2	XQ944A00	IC	LC72131
IC3	iG158100	IC	LA3401
IC4	XY534A00	IC	LC72722(RDS BG)
L1	VU889500	COIL	220uH
L2	VU889500	COIL	220uH
L3	VU889500	COIL	220uH

* New Parts

P. C. B. TUNER

Schm Ref	PART NO.	Description	
L4	VU889500	COIL	220uH
L5	VU889500	COIL	220uH
PK1	V2716700	TUNER.PK	ENV-172A4G1(ABGL)
PK1	V2909100	TUNER.PK	ENV-172C8G1R(UCRT)
PK2	VU333700	COIL.RF.AM	940536051A
Q1	iC053540	TR	2SC535 A,B,C
Q2	iC053540	TR	2SC535 A,B,C
Q3	VD678500	TR.DGT	DTA114ES
Q4	iC174020	TR	2SC1740S R,S
Q5	VG722000	TR.DGT	DTC144ES
Q6	iC181510	TR	2SC1815 Y
Q7	VD678500	TR.DGT	DTA114ES
R56	HV754470	R.CAR.FP	47Ω 1/4W(ABGL)
R56	HV755100	R.CAR.FP	100Ω 1/4W(UCRT)
SW1	VS602600	SW.SLIDE	SS070-P022 A(RT)
T1	V3725400	COIL.DT	10.7MHZ 104A
T2	VR895700	COIL.IF	450KHz
T3	VT486800	COIL	XYA2
T4	VQ138200	FLTR.LC	19KHz
T5	VQ138200	FLTR.LC	19KHz
TE1	VU477800	TERM.ANT	AJ-2038-040
TP1	VT969000	PIN.TEST	IRS-2049
TP2	VT969000	PIN.TEST	IRS-2049
VR1	VJ694000	VR.TRIM	B47KΩ
VR2	VJ694000	VR.TRIM	B47KΩ
XL1	VY734600	RSNR.CRYS	7.2MHz
XL2	GG000750	RSNR.CE	456KHz
XL3	V3930900	RSNR.CRYS	4.332MHz
	BB071360	SCR.TERM	8.3x13
	VR282500	PLATE	ANT.

* New Parts

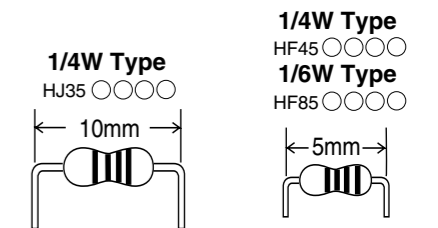
Chip Resistors

Schm Ref	PART NO.	Description		
	RD250000	R.CAR.CHP	0Ω	1/10W
	RD253100	R.CAR.CHP	1Ω	1/10W
	RD254470	R.CAR.CHP	47Ω	1/10W
	RD254510	R.CAR.CHP	51Ω	1/10W
	RD255100	R.CAR.CHP	100Ω	1/10W
	RD255220	R.CAR.CHP	220Ω	1/10W
	RD255330	R.CAR.CHP	330Ω	1/10W
	RD255910	R.CAR.CHP	910Ω	1/10W
	RD256100	R.CAR.CHP	1KΩ	1/10W
	RD256110	R.CAR.CHP	1.1KΩ	1/10W
	RD256220	R.CAR.CHP	2.2KΩ	1/10W
	RD256270	R.CAR.CHP	2.7KΩ	1/10W
	RD256330	R.CAR.CHP	3.3KΩ	1/10W
	RD256390	R.CAR.CHP	3.9KΩ	1/10W
	RD256470	R.CAR.CHP	4.7KΩ	1/10W
	RD256510	R.CAR.CHP	5.1KΩ	1/10W
	RD256620	R.CAR.CHP	6.2KΩ	1/10W
	RD256820	R.CAR.CHP	8.2KΩ	1/10W
	RD257100	R.CAR.CHP	10KΩ	1/10W
	RD257110	R.CAR.CHP	11KΩ	1/10W
	RD257270	R.CAR.CHP	27KΩ	1/10W
	RD257470	R.CAR.CHP	47KΩ	1/10W
	RD257680	R.CAR.CHP	68KΩ	1/10W
	RD257910	R.CAR.CHP	91KΩ	1/10W
	RD258100	R.CAR.CHP	100KΩ	1/10W
	RD258200	R.CAR.CHP	200Ω	1/10W
	RD259100	R.CAR.CHP	1MΩ	1/10W

* New Parts

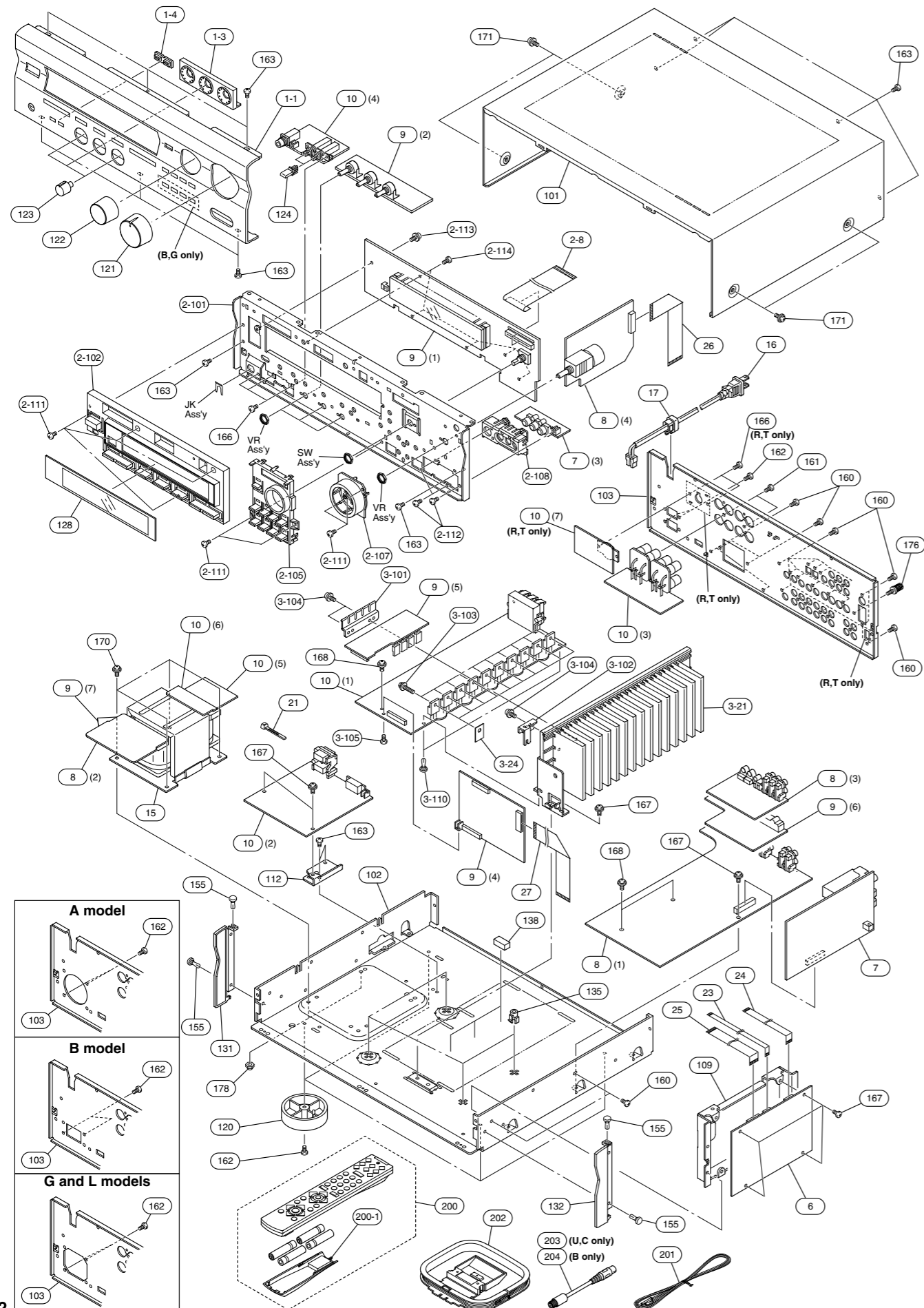
Parts List for Carbon Resistors

Value	1/4W Type Part No.	1/6W Type Part No.	Value	1/4W Type Part No.	1/6W Type Part No.
1.0 Ω	HJ35 3100	HF85 3100	10 kΩ	HF45 7100	HF45 7100
1.8 Ω	HJ35 3180	*	11 kΩ	HF45 7110	HF45 7110
2.2 Ω	HJ35 3220	HF85 3220	12 kΩ	HJ35 7120	HF85 7120
3.3 Ω	HJ35 3330	HF85 3330	13 kΩ	HF45 7130	HF45 7130
4.7 Ω	HJ35 3470	HF85 3470	15 kΩ	HF45 7150	HF45 7150
5.6 Ω	HJ35 3560	HF85 3560	18 kΩ	HF45 7180	HF45 7180
10 Ω	HF45 4100	HF45 4100	22 kΩ	HF45 7220	HF45 7220
15 Ω	HJ35 4150	HF85 4150	24 kΩ	HF45 7240	HF45 7240
22 Ω	HF45 4220	HF45 4220	27 kΩ	HJ35 7270	HF85 7270
27 Ω	HJ35 4270	HF85 4270	30 kΩ	HF45 7300	HF45 7300
33 Ω	HF45 4330	HF45 4330	33 kΩ	HF45 7330	HF45 7330
39 Ω	HJ35 4390	HF85 4390	36 kΩ	HF45 7360	HF45 7360
47 Ω	HF45 4470	HF45 4470	39 kΩ	HF45 7390	HF45 7390
56 Ω	HF45 4560	HF45 4560	47 kΩ	HF45 7470	HF45 7470
68 Ω	HF45 4680	HF45 4680	51 kΩ	HF45 7510	HF45 7510
75 Ω	HF45 4750	HF45 4750	56 kΩ	HF45 7560	HF45 7560
82 Ω	HF45 4820	HF45 4820	62 kΩ	HF45 7620	HF45 7620
91 Ω	HF45 4910	HF45 4910	68 kΩ	HF45 7680	HF45 7680
100 Ω	HF45 5100	HF45 5100	82 kΩ	HF45 7820	HF45 7820
110 Ω	HJ35 5110	HF85 5110	91 kΩ	HF45 7910	HF45 7910
120 Ω	HF45 5120	HF45 5120	100 kΩ	HF45 8100	HF45 8100
150 Ω	HF45 5150	HF45 5150	110 kΩ	HF45 8110	HF45 8110
160 Ω	HJ35 5160	*	120 kΩ	HF45 8120	HF45 8120
180 Ω	HF45 5180	HF45 5180	150 kΩ	HF45 8150	HF45 8150
200 Ω	HF45 5200	HF45 5200	180 kΩ	HF45 8180	HF45 8180
220 Ω	HF45 5220	HF45 5220	220 kΩ	HJ35 8220	HF85 8220
270 Ω	HF45 5270	HF45 5270	270 kΩ	HF45 8270	HF45 8270
330 Ω	HF45 5330	HF45 5330	300 kΩ	HF45 8300	HF45 8300
390 Ω	HF45 5390	HF45 5390	330 kΩ	HF45 8330	HF45 8330
430 Ω	HF45 5430	HF45 5430	390 kΩ	HJ35 8390	HF85 8390
470 Ω	HF45 5470	HF45 5470	470 kΩ	HF45 8470	HF45 8470
510 Ω	HF45 5510	HF45 5510	560 kΩ	HJ35 8560	HF85 8560
560 Ω	HF45 5560	HF45 5560	680 kΩ	HJ35 8680	HF85 8680
680 Ω	HF45 5680	HF45 5680	820 kΩ	HJ35 8820	HF85 8820
820 Ω	HF45 5820	HF45 5820	1.0 MΩ	HF45 9100	HF45 9100
910 Ω	HF45 5910	HF45 5910	1.2 MΩ	HJ35 9120	*
1.0 kΩ	HF45 6100	HF45 6100	1.5 MΩ	HJ35 9150	HF85 9150
1.2 kΩ	HF45 6120	HF45 6120	1.8 MΩ	HJ35 9180	HF85 9180
1.5 kΩ	HF45 6150	HF45 6150	2.2 MΩ	HJ35 9220	HF85 9220
1.8 kΩ	HF45 6180	HF45 6180	3.3 MΩ	HJ35 9330	HF85 9330
2.0 kΩ	HJ35 6200	HF85 6200	3.9 MΩ	HJ35 9390	*
2.2 kΩ	HF45 6220	HF45 6220	4.7 MΩ	HJ35 9470	HF85 9470
2.4 kΩ	HJ35 6240	HF85 6240			
2.7 kΩ	HF45 6270	HF45 6270			
3.0 kΩ	HF45 6300	HF45 6300			
3.3 kΩ	HF45 6330	HF45 6330			
3.6 kΩ	HJ35 6360	HF85 6360			
3.9 kΩ	HF45 6390	HF45 6390			
4.7 kΩ	HF45 6470	HF45 6470			
5.1 kΩ	HF45 6510	HF45 6510			
5.6 kΩ	HF45 6560	HF45 6560			
6.8 kΩ	HF45 6680	HF45 6680			
8.2 kΩ	HF45 6820	HF45 6820			
9.1 kΩ	HF45 6910	HF45 6910			



*: Not available

EXPLODED VIEW



MECHANICAL PARTS

Ref. No.	PART NO.	Description	Remarks	Markets
* 1-1	V4485200	FRONT PANEL		RX-V496 GD
* 1-1	V4485100	FRONT PANEL		RX-V496 BL
* 1-1	V4485600	FRONT PANEL		HTR-5240 BL
* 1-1	V5641200	FRONT PANEL		HTR-5240 GD
* 1-1	V4638400	FRONT PANEL		RX-V496RDSBL
* 1-1	V4638600	FRONT PANEL		RX-V496RDSTI
* 1-1	V4638800	FRONT PANEL		HTR-5240RDSBL
* 1-3	V4173500	ESCUTCHEON TC		GD
* 1-3	V4173300	ESCUTCHEON TC		BL
* 1-3	V4173400	ESCUTCHEON TC		TI
1-4	V2468600	ESCUTCHEON	3x8	
2-8	MF233200	S FLEXIBLE FLAT CABLE	33P 200mm	
2-101	V4168800	SUB CHASSIS		
* 2-102	V4171000	BUTTON CASE		HTR-5240 GD
* 2-102	V4171100	BUTTON CASE		RX-V496GD, RDSTI
* 2-102	V4171200	BUTTON CASE		HTR-5240RDS GP
2-102	V4489200	BUTTON CASE		RX-V496 BL
2-102	V4489400	BUTTON CASE		HTR-5240 BL
* 2-102	V4170900	BUTTON CASE		RX-V496RDSBL
2-105	V4171300	BUTTON INPUT		496/5240 BL
2-105	V4171800	BUTTON INPUT		RX-V496 GD
* 2-105	V4171400	BUTTON INPUT		496/5240RDS BL
* 2-105	V4171600	BUTTON INPUT		RX-V496RDS TI
* 2-105	V5624200	BUTTON INPUT		HTR-5240 GD
2-107	V2467900	ESCUTCHEON, VOL		RX-V496/RDS BL
2-107	V2468000	ESCUTCHEON, VOL		HTR-5240 GD
2-107	V2468100	ESCUTCHEON, VOL		V496GD,5240BL
2-107	V2468200	ESCUTCHEON, VOL		HTR-5240/RDS GP (UCA)
2-108	V2468300	ESCUTCHEON, PJ		BL
2-108	V2468500	ESCUTCHEON, PJ		GD
2-108	V2468400	ESCUTCHEON, PJ		TI
2-111	EP600830	BIND HEAD B-TITE SCREW	3x8 FCRM3-BL	
2-112	VN413300	BIND HEAD BONDING B-T. SCREW	3x8 MFZN2-BL	
2-113	VT669300	PW HEAD B-TITE SCREW	3x8-8 MFC2	
2-114	EP630220	BIND HEAD P-TITE SCREW	3x8 ZMC2-BL	
3-21	V4489500	HEAT SINK ASS'Y		
3-24	VV849300	SHEET	19x24	
3-101	V2461000	SUPPORT, TR		
3-102	V4490200	SUPPORT, PCB		
3-103	VK173200	SCREW, TRANSISTOR	3x15 SP FCM3	
3-104	VT669300	PW HEAD B-TITE SCREW	3x8-8 MFC2	
3-105	EG330030	BIND HEAD SCREW	3x6 FCRM3-BL	
3-110	VQ368600	PUSH RIVET	P3555-B	
* 6	V4810500	P.C.B. ASS'Y	DSP	(UC)
7	V2518600	P.C.B. ASS'Y	TUNER/TU-01	(RT)
7	V2518700	P.C.B. ASS'Y	TUNER/TU-01	(AL)
7	V2518800	P.C.B. ASS'Y	TUNER/TU-01	(BG)
7	V2518900	P.C.B. ASS'Y	TUNER/TU-01RDS	(UCTR)
* 8	V5100300	P.C.B. ASS'Y	INPUT	(ALBG)
* 8	V5100400	P.C.B. ASS'Y	INPUT	(UC)
* 9	V5103200	P.C.B. ASS'Y	OPERATION	(RT)
* 9	V5103300	P.C.B. ASS'Y	OPERATION	(AL)
* 9	V5103400	P.C.B. ASS'Y	OPERATION	

* New Parts

Ref. No.	PART NO.	Description	Remarks	Markets
* 9	V5103500	P.C.B. ASS'Y	OPERATION	(BG)
* 10	V5104300	P.C.B. ASS'Y	MAIN	(RT)
* 10	V5104400	P.C.B. ASS'Y	MAIN	(A)
* 10	V5104500	P.C.B. ASS'Y	MAIN	(B)
* 10	V5104600	P.C.B. ASS'Y	MAIN	(GL)
* 10	V5104700	P.C.B. ASS'Y	MAIN	(UC)
△* 15	XW925A00	POWER TRANSFORMER		(U)
△* 15	XW926A00	POWER TRANSFORMER		(C)
△* 15	XW927A00	POWER TRANSFORMER		(RT)
△* 15	XW928A00	POWER TRANSFORMER		(A)
△* 15	XW929A00	POWER TRANSFORMER		(BGL)
△ 16	V2296800	POWER CORD ASS'Y		(A)
△ 16	V2363800	POWER CORD ASS'Y		(UC)
△ 16	VN363700	POWER CORD ASS'Y		(L)
△ 16	VZ542500	POWER CORD ASS'Y		(RT)
△ 16	VN363700	POWER CORD ASS'Y		(G)
△ 16	VV437300	POWER CORD ASS'Y		(B)
	17	V2438700	CORD STOPPER	'10P1
	21	VU590000	BINDING TIE	CBTD001B
* 23	MF105250	FLEXIBLE FLAT CABLE	5P 250mm	
	24	MF113140	FLEXIBLE FLAT CABLE	13P 140mm
	25	MF219140	S FLEXIBLE FLAT CABLE	19P 140mm
* 26	MF123140	FLEXIBLE FLAT CABLE	23P 140mm	
	27	MF124180	FLEXIBLE FLAT CABLE	24P 180mm
	101	V2609600	TOP COVER	BL
	101	VZ884500	TOP COVER	GD
	102	V3155400	CHASSIS	
* 103	V4486000	REAR PANEL	RX-V496	(U)
* 103	V4486100	REAR PANEL	RX-V496	(C)
* 103	V4486200	REAR PANEL	RX-V496	(RT)
* 103	V4486300	REAR PANEL	RX-V496	(A)
* 103	V4486400	REAR PANEL	RX-V496	(L)
* 103	V4488100	REAR PANEL	HTR-5240	(U)
* 103	V4488200	REAR PANEL	HTR-5240	(C)
* 103	V4488300	REAR PANEL	HTR-5240	(A)
* 103	V4488400	REAR PANEL	HTR-5240	(T)
* 103	V4487300	REAR PANEL	RX-V496RDS	(B)
* 103	V4487400	REAR PANEL	RX-V496RDS	(G)
* 103	V4488900	REAR PANEL	HTR-5240RDS	
	109	V2461100	SHIELD CASE	
	112	V4168900	FRAME, PCB	
	120	V0042500	LEG	D60xH21
	120	VS025000	LEG	D60xH21
	120	VV544300	LEG	D60xH21
	121	V4172900	KNOB D40	BL
	121	V4173100	KNOB D40	GD
	122	V4172600	KNOB D30 ENC	BL
	122	V4172700	KNOB D30 ENC	TI
	122	V4172800	KNOB D30 ENC	GD
	123	V4172000	KNOB	BL
	123	V4172200	KNOB	GD
* 123	V4172100	KNOB	TI	
	124	V2918800	BUTTON	3x8
				BL

* New Parts

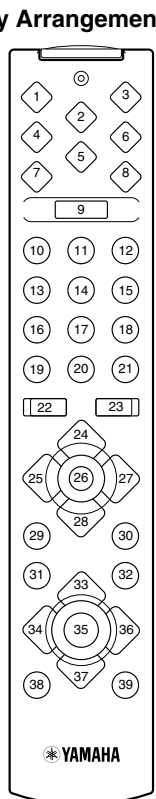
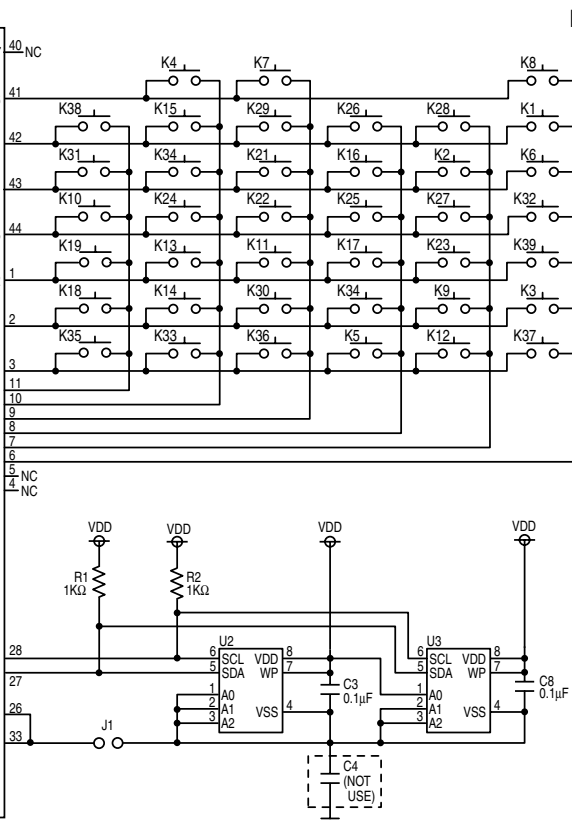
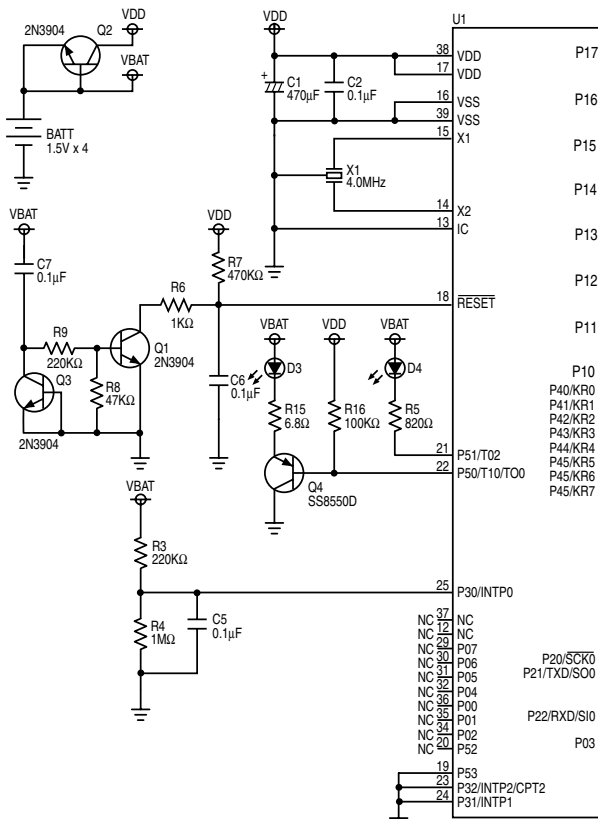
Ref. No.	PART NO.	Description	Remarks	Markets
124	V2918900	BUTTON	3x8	V496TI,5230GD
124	V4562700	BUTTON	3x8	GD
128	V2469400	SHEET, WINDOW		
* 131	V4170500	PLATE SIDE L		GD
* 131	V4170300	PLATE SIDE L		BL
* 131	V4170400	PLATE SIDE L		TI
* 132	V4170800	PLATE SIDE R		GD
* 132	V4170600	PLATE SIDE R		BL
* 132	V4170700	PLATE SIDE R		TI
135	VR264400	SPACER	H8	
138	V2879500	SPACER PCB-M		
155	VQ368600	PUSH RIVET	P3555-B	
160	VN413300	BIND HEAD BONDING B-T. SCREW	3x8 MFZN2-BL	
161	VY731200	BONDING HEAD TAPPING SCREW	3x10 MFNI33	
162	EP600250	BIND HEAD B-TITE SCREW	3x8 ZMC2-Y	
163	EP600830	BIND HEAD B-TITE SCREW	3x8 FCRM3-BL	
166	EG330030	BIND HEAD SCREW	3x6 FCRM3-BL	
167	VT669300	PW HEAD B-TITE SCREW	3x8-8 MFC2	
168	VT669400	PW HEAD B-TITE SCREW	3x15-8 MFC2	
170	21991500	PW HEAD S-TITE SCREW	4x8-10 FCRM3-BL	
171	21991500	PW HEAD S-TITE SCREW	4x8-10 FCRM3-BL	BL
171	VD069600	PW HEAD S-TITE SCREW	4x8-10 MFNI-33	GD
171	VH313200	BW HEAD S-TITE SCREW	4x8-10 FNM3-BL	TI
176	VS997700	BIND HEAD S-TITE SCREW	3x10 MFNI33	
178	03700480	HEXAGONAL CAP NUT	4.0 MFNI33	
		ACCESSORIES		
* 200	V4731700	REMOTE CONTROL TRANSMITTER	BW0652 RAV203	(UCRTAL)
* 200	V4731900	REMOTE CONTROL TRANSMITTER	BW0652 RAV204	(BG)
200-1	AAX04810	LID		710650020
201	VQ147100	ANTENNA, FM	1.4m	
202	VR248500	ANTENNA, AM LOOP	1.0m	
203	VT948000	ANTENNA ADAPTER		(UC)
204	VE364900	ANTENNA ADAPTER	PAL 75-300Ω	(B)
		BATTERY, MANGANESE	SUM-4,AAA,R03	

* New Parts

REMOTE CONTROL TRANSMITTER

(RAV203 or RAV204)
 • J,U,C,R,T,A and L models → RAV203
 • B and G models → RAV204

SCHEMATIC DIAGRAM



List of the Functional key

Key No.	Key Name	Key Type	TV	CBL/SAT	VCR	DVD MENU	DVD/LD	CD	TAPE/MD	AMP/TUNER
1	CD	Device								
2	AMP/TUNER	Device								
3	TAPE/MD	Device								
4	DVD/LD	Device								
5	TV	Device								
6	VCR	Device								
7	DVD MENU	Device								
8	CBL/SAT	Device								
9	POWER	Primary	TV POWER	CBL/SAT POWER	VCR POWER	DVD/LD POWER	CD POWER	TAPE/MD POWER	AMP POWER	
10	1	Primary	CH1	CH1	CH1	1			CD	
11	2	Primary	CH2	CH2	CH2	2			TUNER	
12	3	Primary	CH3	CH3	CH3	3			TAPE/MD	
13	4	Primary	CH4	CH4	CH4	4			DVD/LD	
14	5	Primary	CH5	CH5	CH5	5			SAT/D-TV	
15	6	Primary	CH6	CH6	CH6	6			VCR	
16	7	Primary	CH7	CH7	CH7	7			PHONO	
17	8	Primary	CH8	CH8	CH8	8			V-AUX	
18	9	Primary	CH9	CH9	CH9	9			EXT. DEC.	
19	0	Primary	CH0	CH0	CH0	0	-	-	-	TEST
20	ENTER	Primary	CH Enter	CH Enter	CH Enter	+10	-	-	-	A/B/C/D/E
21	EFFECT	Primary	AMP EFFECT	+100	AMP EFFECT	CLEAR				AMP EFFECT
22	CH-	Primary	TV CH-	CBL/SAT CH-	VCR CH-	DISC-	DISC-	DISC-	-	PRESET-
23	CH+	Primary	TV CH+	CBL/SAT CH+	VCR CH+	DISC+	DISC+	DISC+	-	PRESET+
24	TV VOL+	Primary								TV VOL+
25	VOL-	Primary								VOL-
26	MUTE	Primary	TV MUTE							AMP MUTE
27	VOL+	Primary								VOL+
28	TV VOL-	Primary								TV VOL-
29	SLEEP	Primary		TV SLEEP		RETURN				SLEEP
30	DISPLAY	Primary	DISPLAY	DISPLAY	DISPLAY	INDEX	DISPLAY	DISPLAY	DISPLAY	-
31	REC	Primary	VCR REC	-	VCR REC	-	-	-	REC/PAUSE	-
32	TV INPUT	Primary							A/B	TV INPUT
33	PAUSE	Primary	VCR PAUSE	Up	VCR PAUSE	Up	PAUSE	PAUSE	PAUSE	PRG+
34	SKIP-	Primary	-	Left	-	Left	SKIP/CHAP-	SKIP-	DIR A/SKIP-	Down
35	PLAY	Primary	VCR PLAY	Menu Select	VCR PLAY	Select	PLAY	PLAY	PLAY	-
36	SKIP+	Primary	-	Right	-	Right	SKIP/CHAP+	SKIP+	DIR B/SKIP+	Up
37	STOP	Primary	VCR STOP	Down	VCR STOP	Down	STOP	STOP	STOP	PRG-
38	REW	Primary	VCR REW	RECALL	VCR REW	TITLE	REW	REW	REW	TIME/LEVEL
39	FF	Primary	VCR FF	MENU	VCR FF	MENU	FF	FF	FF	SET MENU
		Library	TV	CBL SAT AUX	VCR	DVD (MENU) AUX	LD	CD	TAPE MD	X
		Default	0101(PHILIPS)	0006(PIONEER)	0002(ASA)	Yamaha(0008) DVD (MENU)	Yamaha CD(0005)	Yamaha TAPE(0004)	AMP(0003)	

-: No Function

List of the Yamaha Code (NEC Format)

Key No.	Key Name	DVD		DVD MENU		LD		CD	
		Yamaha code	Punch Through	Yamaha code	Punch Through	Yamaha code	Punch Through	Yamaha code	Punch Through
9	POWER	DVD POWER	7A-1F(Amp)	DVD POWER	7A-1F(Amp)	LD POWER	7A-1F(Amp)	CD POWER	7A-1F(Amp)
10	1	CD	Punch Through	1	7C-94	CD	Punch Through	CD	Punch Through
11	2	TUNER	Punch Through	2	7C-95	TUNER	Punch Through	TUNER	Punch Through
12	3	TAPE/MD	Punch Through	3	7C-96	TAPE/MD	Punch Through	TAPE/MD	Punch Through
13	4	DVD/LD	Punch Through	4	7C-97	DVD/LD	Punch Through	DVD/LD	Punch Through
14	5	SAT/D-TV	Punch Through	5	7C-98	SAT/D-TV	Punch Through	SAT/D-TV	Punch Through
15	6	VCR	Punch Through	6	7C-99	VCR	Punch Through	VCR	Punch Through
16	7	PHONO	Punch Through	7	7C-9A	PHONO	Punch Through	PHONO	Punch Through
17	8	V-AUX	Punch Through	8	7C-9B	V-AUX	Punch Through	V-AUX	Punch Through
18	9	EXT. DEC.	Punch Through	9	7C-9C	EXT. DEC.	Punch Through	EXT. DEC.	Punch Through
19	0	0	-	0	7C-93	0	-	0	-
20	ENTER	ENTER	-	+10	7C-9D	ENTER	-	ENTER	-
21	EFFECT	EFFECT	Punch Through	CLEAR	7C-9F	EFFECT	Punch Through	EFFECT	Punch Through
22	CH-	DISC-	7C-8A	DISC-	7C-8A	DISC-	-	DISC-	7A-50
23	CH+	DISC+	7C-8B	DISC+	7C-8B	DISC+	-	DISC+	7A-4F
24	TV VOL+	TV VOL+	Punch Through	TV VOL+	Punch Through	TV VOL+	Punch Through	TV VOL+	Punch Through
25	VOL-	VOL-	Punch Through	VOL-	Punch Through	VOL-	Punch Through	VOL-	Punch Through
26	MUTE	AMP MUTE	Punch Through	AMP MUTE	Punch Through	AMP MUTE	Punch Through	AMP MUTE	Punch Through
27	VOL+	VOL+	Punch Through	VOL+	Punch Through	VOL+	Punch Through	VOL+	Punch Through
28	TV VOL-	TV VOL-	Punch Through	TV VOL-	Punch Through	TV VOL-	Punch Through	TV VOL-	Punch Through
29	SLEEP	SLEEP	Punch Through	RETURN	7C-B7	SLEEP	Punch Through	SLEEP	Punch Through
30	DISPLAY	DISPLAY	7C-A6	INDEX	7C-9E	DISPLAY	7C-13	DISPLAY	79-0A
31	REC	REC	-	REC	-	REC	-	REC	-
32	TV INPUT	TV INPUT	Punch Through	TV INPUT	Punch Through	TV INPUT	Punch Through	TV INPUT	Punch Through
33	PAUSE	PAUSE	7C-83	Up	7C-B4	PAUSE	7C-5A	PAUSE	7A-A9
34	SKIP-	SKIP/CHAP-	7C-B9	Left	7C-B5	SIP/CHAP-	7C-02	SKIP-	7A-0B
35	PLAY	PLAY	7C-82	Select	7C-B8	PLAY	7C-05	PLAY	7A-08
36	SKIP+	SKIP/CHAP+	7C-BA	Right	7C-B6	SKIP/CHAP+	7C-03	SKIP+	7A-0A
37	STOP	STOP	7C-85	Down	7C-B3	STOP	7C-5B	STOP	7A-09
38	REW	REW	7C-86	TITLE	7C-B1	REW	7C-06	REW	7A-0D
39	FF	FF	7C-87	MENU	7C-B2	FF	7C-07	FF	7A-0C

- : No Code

Key No.	Key Name	TAPE		MD		AMP/TUNER	
		Yamaha code	Punch Through	Yamaha code	Punch Through	Yamaha code	Punch Through
9	POWER	TAPE/MD POWER	7A-1F(Amp)	7A-1F(Amp)	AMP POWER	7A-1F	
10	1	CD	Punch Through	Punch Through	CD	7A-15	
11	2	TUNER	Punch Through	Punch Through	TUNER	7A-16	
12	3	TAPE/MD	Punch Through	Punch Through	TAPE/MD	7A-18	
13	4	DVD/LD	Punch Through	Punch Through	DVD/LD	7A-17	
14	5	SAT/D-TV	Punch Through	Punch Through	SAT/D-TV	7A-54	
15	6	VCR	Punch Through	Punch Through	VCR	7A-0F	
16	7	PHONO	Punch Through	Punch Through	PHONO	7A-14	
17	8	V-AUX	Punch Through	Punch Through	V-AUX	7A-55	
18	9	EXT. DEC.	Punch Through	Punch Through	EXT. DEC.	7A-87	
19	0	TEST	-	-	TEST	7A-85	
20	ENTER	ENTER	-	-	A/B/C/D/E	7A-12	
21	EFFECT	EFFECT	Punch Through	Punch Through	EFFECT	7A-56	
22	CH-	CH-	-	-	PRESET-	7A-11	
23	CH+	CH+	-	-	PRESET+	7A-10	
24	TV VOL+	TV VOL+	Punch Through	Punch Through	TV VOL+	Punch Through	
25	VOL-	VOL-	Punch Through	Punch Through	VOL-	7A-1B	
26	MUTE	AMP MUTE	Punch Through	Punch Through	AMP MUTE	7A-1C	
27	VOL+	VOL+	Punch Through	Punch Through	VOL+	7A-1A	
28	TV VOL-	TV VOL-	Punch Through	Punch Through	TV VOL-	Punch Through	
29	SLEEP	SLEEP	Punch Through	Punch Through	SLEEP	7A-57	
30	DISPLAY	DISPLAY	-	79-A5	DISPLAY	-	
31	REC	REC/PAUSE	7A-04	79-AF	REC	-	
32	TV INPUT	A/B	7A-06	-	TV INPUT	Punch Through	
33	PAUSE	PAUSE	-	79-A9	PRG+	7A-58	
34	SKIP-	DIR A/SKIP-	7A-07	79-AB	Down	7A-53	
35	PLAY	PLAY	7A-00	79-A8	-	-	
36	SKIP+	DIR B/SKIP+	7A-40	79-AE	Up	7A-52	
37	STOP	STOP	7A-03	79-AA	PRG-	7A-59	
38	REW	REW	7A-01	79-AC	TIME/LEVEL	7A-86	
39	FF	FF	7A-02	79-AD	SET MENU	7A-9C	

- : No Code