

AV RECEIVER RX-V800/RX-V800RDS/HTR-5280

SERVICE MANUAL

IMPORTANT NOTICE

This manual has been provided for the use of authorized YAMAHA Retailers and their service personnel. It has been assumed that basic service procedures inherent to the industry, and more specifically YAMAHA Products, are already known and understood by the users, and have therefore not been restated.

WARNING: Failure to follow appropriate service and safety procedures when servicing this product may result in personal injury, destruction of expensive components, and failure of the product to perform as specified. For these reasons, we advise all YAMAHA product owners that any service required should be performed by an authorized YAMAHA Retailer or the appointed service representative.

IMPORTANT: The presentation or sale of this manual to any individual or firm does not constitute authorization, certification or recognition of any applicable technical capabilities, or establish a principle-agent relationship of any form.

The data provided is believed to be accurate and applicable to the unit(s) indicated on the cover. The research, engineering, and service departments of YAMAHA are continually striving to improve YAMAHA products. Modifications are, therefore, inevitable and specifications are subject to change without notice or obligation to retrofit. Should any discrepancy appear to exist, please contact the distributor's Service Division.

WARNING: Static discharges can destroy expensive components. Discharge any static electricity your body may have accumulated by grounding yourself to the ground buss in the unit (heavy gauge black wires connect to this buss).

IMPORTANT: Turn the unit OFF during disassembly and part replacement. Recheck all work before you apply power to the unit.

■ CONTENTS

TO SERVICE PERSONNEL	1	AMP ADJUSTMENT	23
IMPEDANCE SELECTOR	1	DISPLAY DATA	24
SPECIFICATIONS	2	IC DATA	25~31
REMOTE CONTROL TRANSMITTER	3	BLOCK DIAGRAM	32~35
FRONT PANELS	4	PRINTED CIRCUIT BOARD	36~59
REAR PANELS	5~6	PIN CONNECTION DIAGRAM	60~61
INTERNAL VIEW	7	SCHEMATIC DIAGRAM	62~68
DISASSEMBLY PROCEDURES	8	PARTS LIST	69~87
SELF DIAGNOSIS FUNCTION (DIAG)	9~23	REMOTE CONTROL TRANSMITTER	88~89

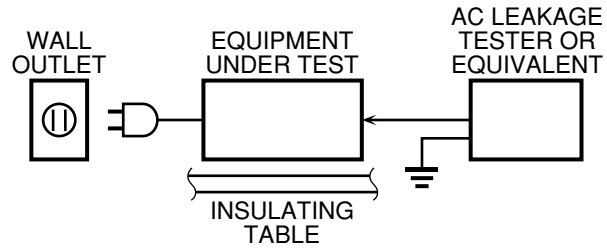


このサービスマニュアルは、エコマーク認定の再生紙を使用しています。
This Service Manual uses recycled paper.



■ TO SERVICE PERSONNEL

1. Critical Components Information
Components having special characteristics are marked ⚠ and must be replaced with parts having specifications equal to those originally installed.
2. Leakage Current Measurement (For 120V Models Only)
When service has been completed, it is imperative to verify that all exposed conductive surfaces are properly insulated from supply circuits.
 - Meter impedance should be equivalent to 1500 ohm shunted by 0.15μF.
 - Leakage current must not exceed 0.5mA.
 - Be sure to test for leakage with the AC plug in both polarities.



WARNING: CHEMICAL CONTENT NOTICE!

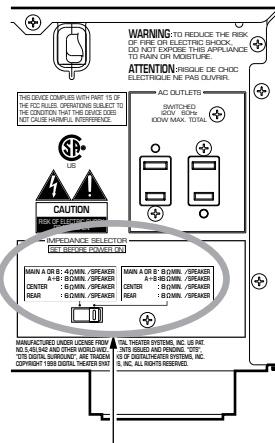
The solder used in the production of this product contains LEAD. In addition, other electrical/electronic and /or plastic (where applicable) components may also contain traces of chemicals found by the California Health and Welfare Agency (and possibly other entities) to cause cancer and/or birth defects or other reproductive harm.

DO NOT PLACE SOLDER, ELECTRICAL/ELECTRONIC OR PLASTIC COMPONENTS IN YOUR MOUTH FOR ANY REASON WHATSOEVER!

Avoid prolonged, unprotected contact between solder and your skin! When soldering, do not inhale solder fumes or expose eyes to solder/flux vapor!

If you come in contact with solder or components located inside the enclosure of this product, wash your hands before handling food.

■ IMPEDANCE SELECTOR



IMPEDANCE SELECTOR

WARNING:
Do not change the IMPEDANCE SELECTOR switch setting while the power to this unit is on, otherwise this unit may be damaged.

■ SPECIFICATIONS

■ Audio Section

Minimum RMS Output Power (Power Amp. Section)

(20 Hz to 20 kHz, 0.04% THD, 8 ohms)	
MAIN	100W + 100W
CENTER	100W
REAR	100W + 100W

Maximum Power (EIAJ)

(1 kHz, 10% THD, 8 ohms)	
MAIN	140W + 140W
CENTER	140W
REAR	140W + 140W

Dynamic Power Per Channel (IHF)

MAIN L/R (8/6/4/2 ohms)	
[U model]	135/170/205/245 W
[C, A, B, G, L, R, T models]	125/160/195/230 W

DIN Standard Output Power Per Channel

(1 kHz, 0.7% THD, 4 ohms)	
[G model]	140 W

Dynamic Headroom

8 ohms	
[U model]	1.3 dB
[C model]	1.0 dB

IEC Power

MAIN L/R (1 kHz, 0.04% THD, 8 ohms)	
[G model]	105W + 105W

Damping Factor

MAIN L/R (20 Hz to 20 kHz, 8 ohms)	80 or more
--	------------

Input Sensitivity / Input Impedance

PHONO MM	2.5 mV / 47 k-ohms
CD, etc.	150 mV / 47 k-ohms

Maximum Input Signal Level

PHONO MM (1 kHz, 0.1% THD)	100 mV
CD, etc. (1 kHz, 0.5% THD, Effect On)	2.2 V

Output Level / Output Impedance

REC OUT	150 mV / 0.9 k-ohms
PRE OUT	2.57 V / 1.2 k-ohms
SUB WOOFER [MAIN SP: Small]	4 V/1.2 k-ohms

Headphone Jack Rated Output / Impedance

1 kHz, 40 mV, 8 ohms	0.15 V / 100 ohms
----------------------------	-------------------

Frequency Response

Power Amp only (5 Hz to 100 kHz)	0/-3 dB
CD, etc. to MAIN SP OUT (10 Hz to 100 kHz)	0/-3 dB

RIAA Equalization Deviation

PHONO MM (20 Hz to 20 kHz)	0 ± 0.5 dB
----------------------------------	------------

Total Harmonic Distortion

(20 Hz to 20 kHz)	
PHONO MM, to REC OUT (1V)	0.02% or less
CD, etc. to MAIN SP OUT (50 W / 8 ohms)	0.04% or less

Signal to Noise Ratio (IHF-A network)

CD, etc. to MAIN SP OUT (Input shorted, Effect Off)	
150 mV	96 dB or more
200 mV	98 dB or more

Residual Noise (IHF-A network)

MAIN L/R SP OUT	150 µV or less
-----------------------	----------------

Channel Separation

(Vol -30 dB, Effect Off)	
PHONO (Input Shorted, 1 kHz)	60 dB or more
PHONO (Input Shorted, 10 kHz)	55 dB or more
CD, etc. (Input 5.1 k-ohms terminated, 1 kHz)	60 dB or more
CD, etc. (Input 5.1 k-ohms terminated, 10 kHz)	45 dB or more

Tone Control Characteristics

Bass: Boost/Cut	±10 dB (50 Hz)
Turnover Frequency	350 Hz
Treble: Boost/Cut	±10 dB (20 kHz)
Turnover Frequency	3.5 kHz

Filter Characteristics

MAIN, Rear SP Small (H.P.F.)	90 Hz, 12 dB/oct.
SUBWOOFER (L.P.F.)	90 Hz, 18 dB/oct.

Bass Extension

60 Hz	6 dB
-------------	------

■ Video Section

Video Signal Type

[U, C, R, T models]	NTSC
[A, B, G, L, models]	PAL

Video Signal Level

.....	1 Vp-p / 75 ohms
-------	------------------

S-Video Signal Level

Y	1 Vp-p / 75 ohms
C	0.286 Vp-p / 75 ohms

Component Video Signal Level

Y	1 Vp-p / 75 ohms
Cb / Cr	0.7 Vp-p / 75 ohms

Maximum Input Level

.....	1.5 Vp-p
-------	----------

Signal to Noise Ratio

.....	50 dB or more
-------	---------------

Monitor Out Frequency Response

S-Video Signal Level	5 Hz to 10 MHz, -3 dB
Component Signal Level	DC to 30 MHz, -3 dB

■ FM Section

Tuning Range

[U, C models]	87.5 to 107.9 MHz
[R, T, A, B, G, L models]	87.5 to 108.0 MHz

50 dB Quieting Sensitivity (IHF)

(100% Mod)	
Mono	2.0 µV (17.3 dBf)
Stereo	25 µV (39.2 dBf)

Usable Sensitivity (IHF)

Mono	1.0 µV (11.2 dBf)
------------	-------------------

Selectivity

at 400 kHz	70 dB
------------------	-------

Signal to Noise Ratio (IHF)

Mono / Stereo	76 dB / 70 dB
---------------------	---------------

Harmonic Distortion

(1 kHz)	
Mono/Stereo	0.2 / 0.3 %

Stereo Separation

1 kHz	45 dB
-------------	-------

Frequency Response

20 Hz to 15 kHz	+0.5 / -2 dB
-----------------------	--------------

Antenna Input

.....	75 ohms unbalanced
-------	--------------------

■ AM Section

Tuning Range

[U, C, R, T models]	530 to 1,710 kHz
[A, B, G, L models]	531 to 1,611 kHz

Usable Sensitivity

.....	300 µV/m
-------	----------

Antenna

.....	Loop Antenna
-------	--------------

■ General

Power Supply

[U, C models]	AC 120 V, 60 Hz
[R models]	AC 110/120/220/240 V, 50/60 Hz
[T model]	AC 220 V, 50 Hz
[A model]	AC 240 V, 50 Hz
[B, G, L models]	AC 230 V, 50 Hz

Power Consumption

[U model]	260 W
[C model]	300 W / 360 VA
[R, T, A, B, G, L models]	300 W

Maximum Power Consumption

(5ch Drive, 10% THD)	
[R model]	585 W

AC Outlets

2 switched outlets	
[U, C, R, T G, L models]	100W max., total
1 switched outlets	
[A, B models]	100W max.

Dimensions (W x H x D)

.....	435 x 171 x 431.5 mm (17-1/8" x 6-3/4" x 17")
-------	---

Weight

.....	15.0 kg (33 lbs. 1 oz.)
-------	-------------------------

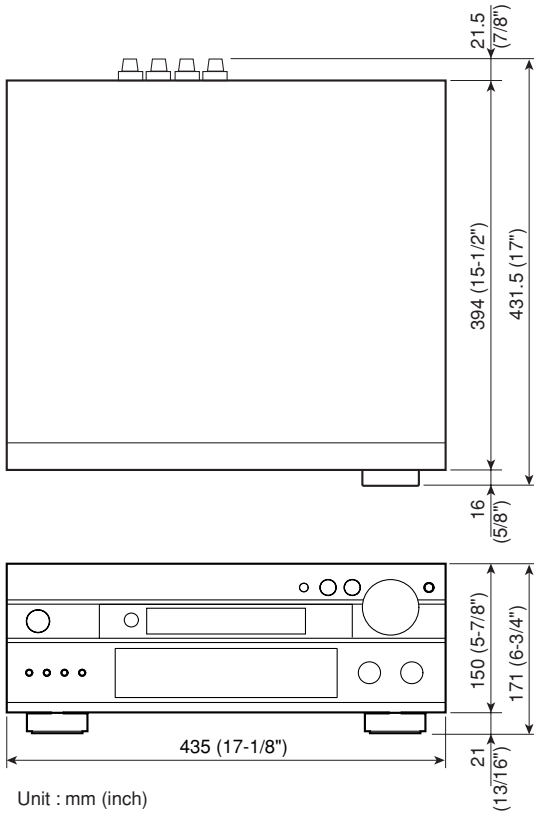
Accessories

Remote control transmitter, Manganese batteries, Indoor FM antenna, AM loop antenna

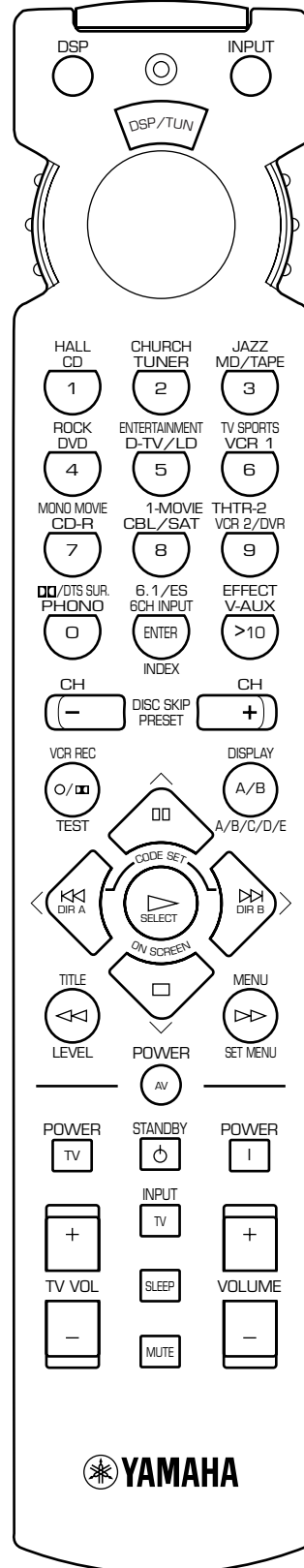
* Specifications are subject to change without notice.

U	U.S.A. model	C	Canadian model
A	Australian model	B	British model
G	European model	L	Singapore model
R	General model	T	China model

• DIMENSIONS



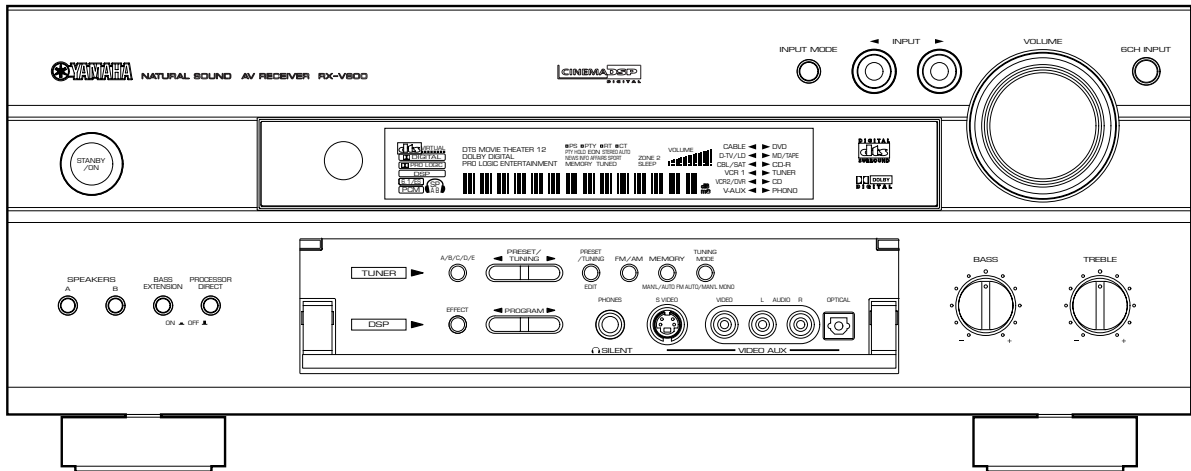
■ REMOTE CONTROL TRANSMITTER



FRONT PANELS

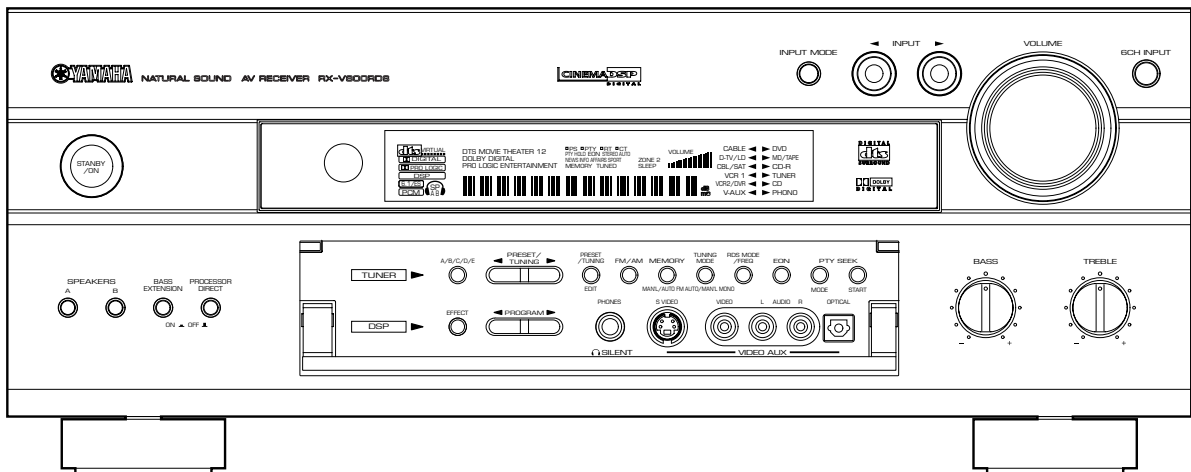
RX-V800 (U, C, A, L, R, T models)

- U, C and A models → BL (Black model)
- L model → GD (Gold model)
- R and T models → BL (Black model) and GD (Gold model)



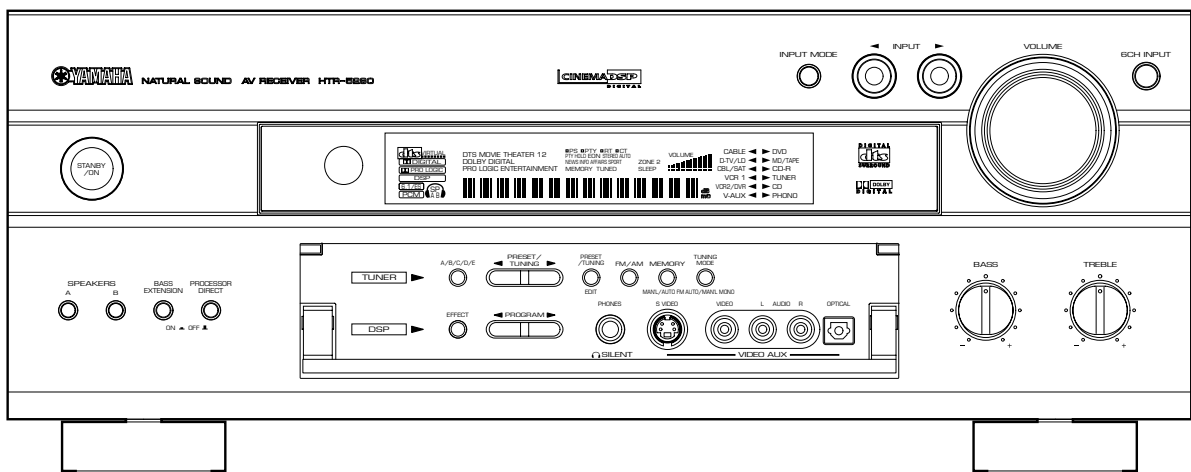
RX-V800RDS (B, G models)

- B model → BL (Black model)
- G model → BL (Black model), GD (Gold model) and TI (Titan model)



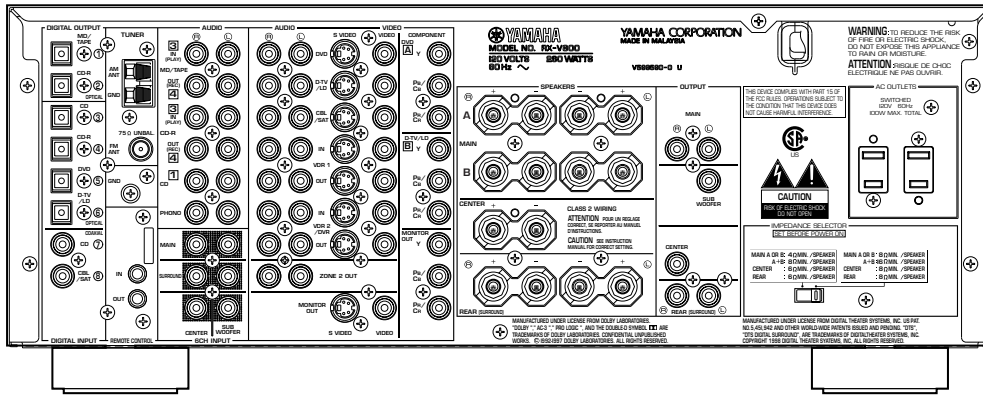
HTR-5280 (U, C, A, T models)

- U, C and A models → BL (Black model)
- T model → GD (Gold model)

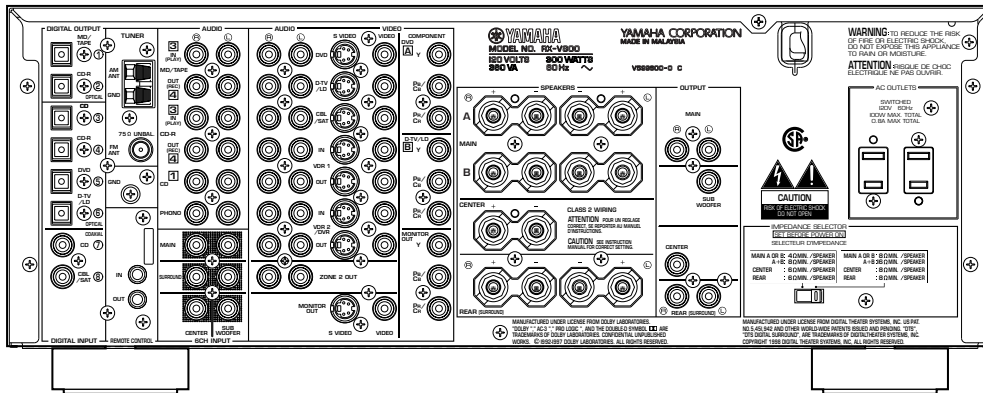


REAR PANELS

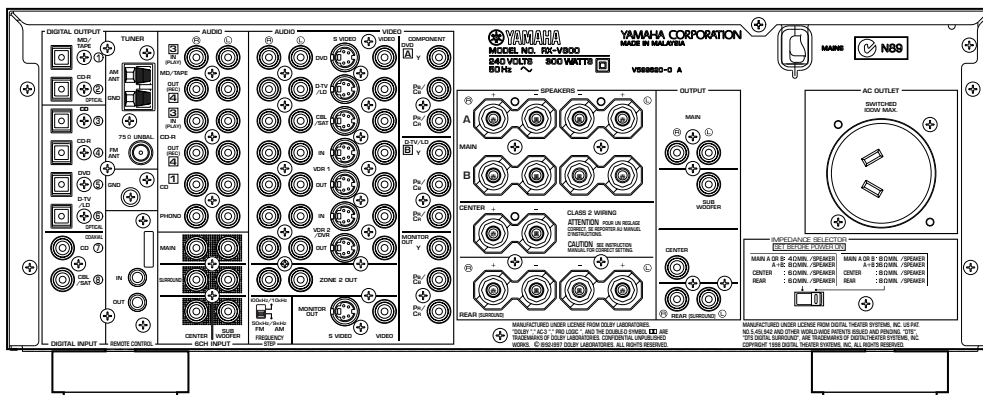
U model



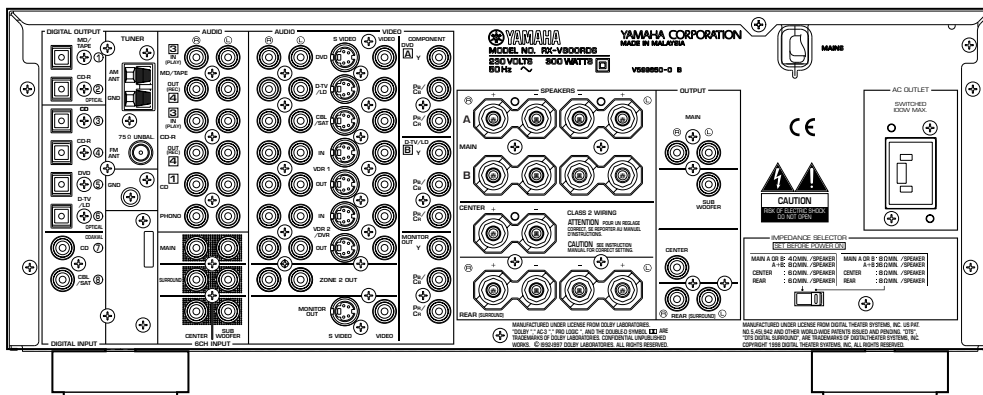
C model



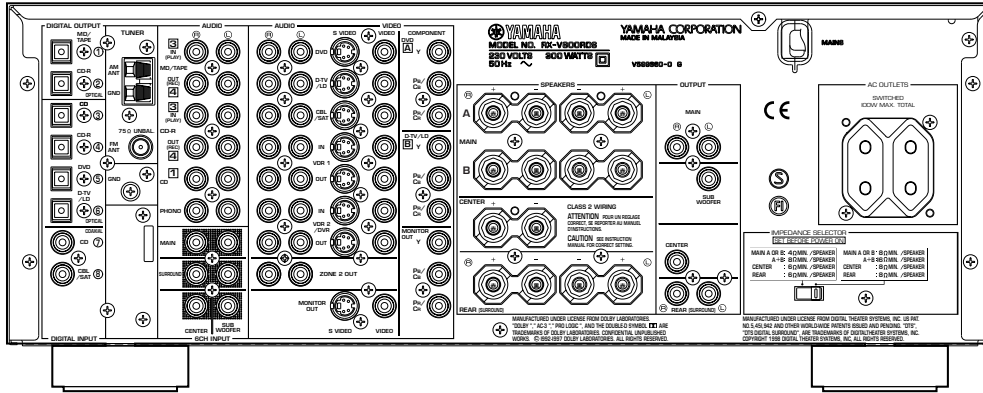
A model



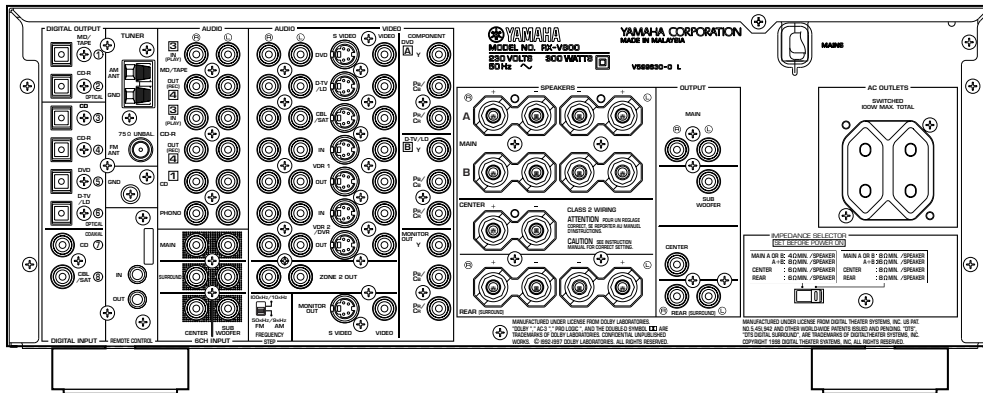
B model



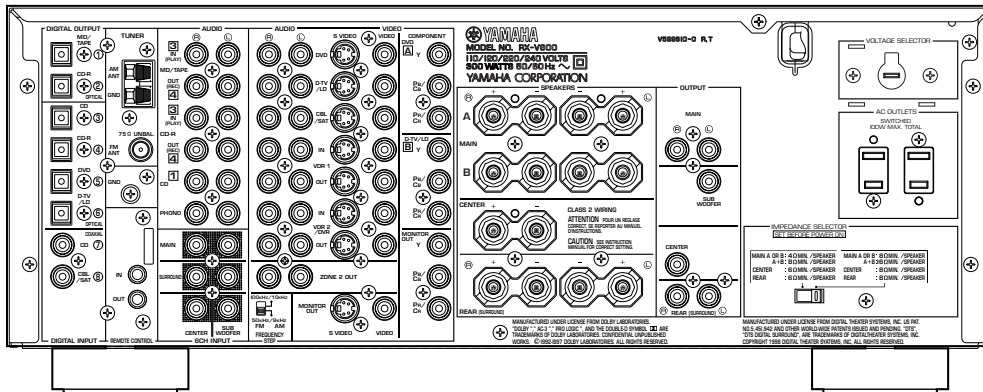
G model



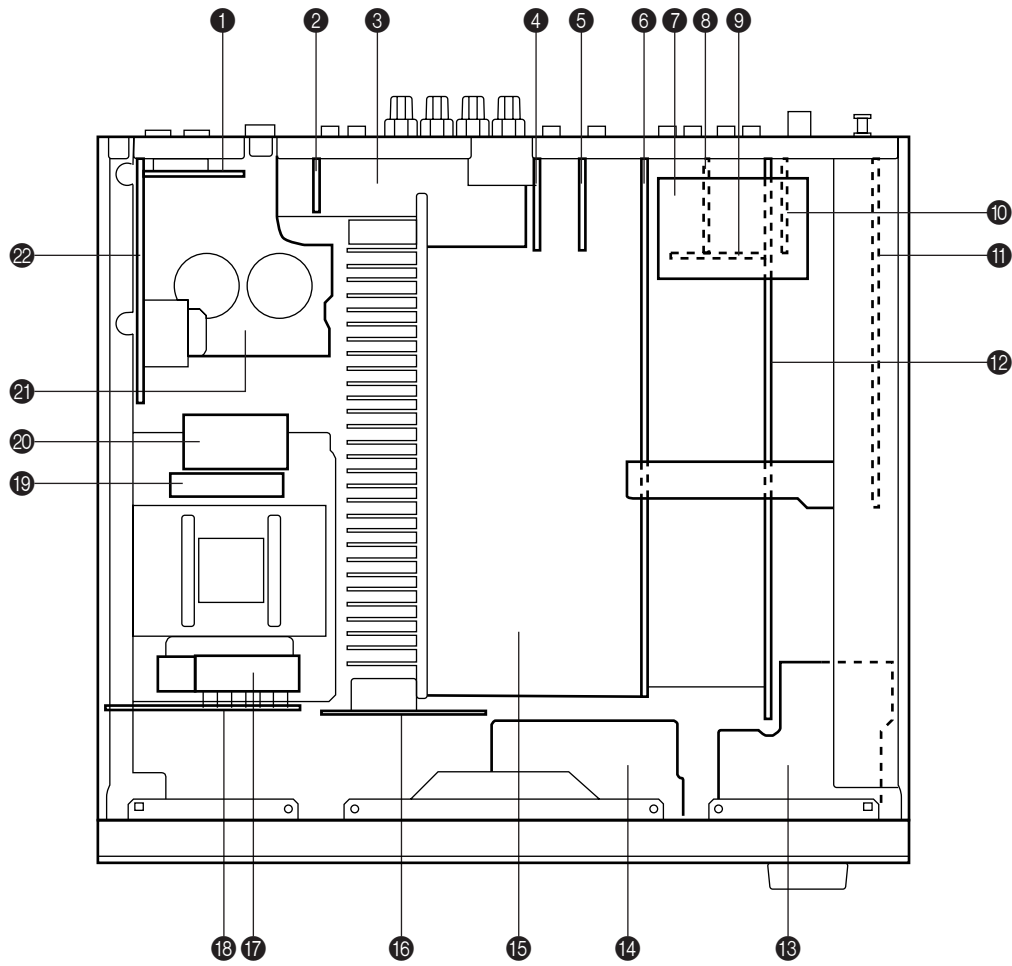
L model



R, T model



INTERNAL VIEW



- ① POWER (3) P.C.B.
- ② MAIN (5) P.C.B.
- ③ MAIN (2) P.C.B.
- ④ VIDEO (3) P.C.B.
- ⑤ VIDEO (2) P.C.B.
- ⑥ VIDEO (1) P.C.B.
- ⑦ POWER (7) P.C.B.
- ⑧ POWER (8) P.C.B.
- ⑨ POWER (9) P.C.B.
- ⑩ POWER (10) P.C.B.

- ⑪ DSP P.C.B.
- ⑫ FUNCTION P.C.B.
- ⑬ OPERATION (5) P.C.B.
- ⑭ OPERATION (4) P.C.B.
- ⑮ MAIN (1) P.C.B.
- ⑯ POWER (6) P.C.B.
- ⑰ POWER (5) P.C.B.
- ⑱ POWER (4) P.C.B.
- ⑲ POWER (2) P.C.B.
- ⑳ MAIN (4) P.C.B.

- ⑳ MAIN (3) P.C.B.
- ㉑ POWER (1) P.C.B.

■ DISASSEMBLY PROCEDURES

(Remove parts in the order as numbered.)
 Disconnect the power cord from the AC outlet.

1. Removal of Top Cover

- a. Remove 2 screws (①), 4 screws (②) and 5 screws (③) in Fig. 1.
- b. Slide the Top Cover rearward to remove it.

2. Removal of Front Panel

Remove 9 screws (④) in Fig. 1, and the Front Panel can be removed forward.

3. Removal of MAIN PCB (1)

- a. Remove the Top Cover.
- b. Remove 2 screws (⑤) in Fig. 3 AND remove the support metal plate.
- c. Disconnect 3 connectors (CB232, CB601, CB602 in Fig.2) from the VIDEO PCB (1), and disconnect the connector (CB3) from the MAIN PCB (1) in Fig. 2.
- d. Remove 8 screws (⑥) in Fig. 3, and the VIDEO PCB (1) and VIDEO PCB (3) can be removed.
- e. Disconnect the connector (CB353) from the POWER PCB (6) in Fig. 2.
- f. Remove the plastic rivet (⑦), and the POWER PCB (6) can be removed upward from the heat sink.
- g. Disconnect the connector (CB1 in Fig. 2) from the MAIN PCB (1).
- h. Remove 2 screws (⑧) in Fig. 2, and the support Transistor can be removed.
- i. Remove 6 screws (⑨) in Fig. 2.
- j. Remove 6 screws (⑩) in Fig. 3.
- k. Pull out the MAIN PCB (1) forward as shown in Fig. 3.
 At this time, disconnect the flexible flat cable connected to the MAIN PCB (1) if necessary.

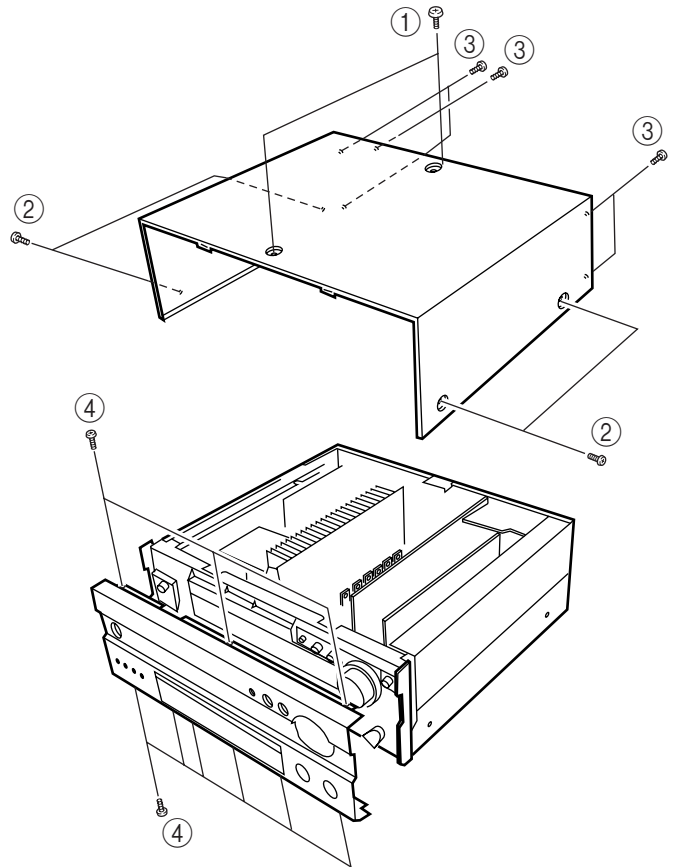


Fig. 1

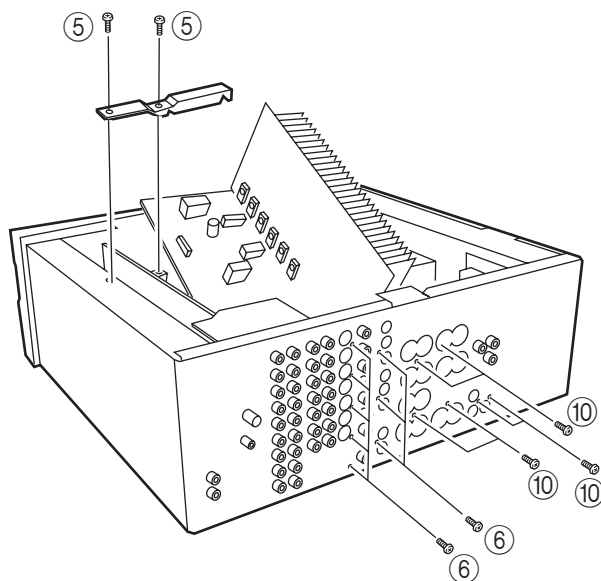


Fig. 3

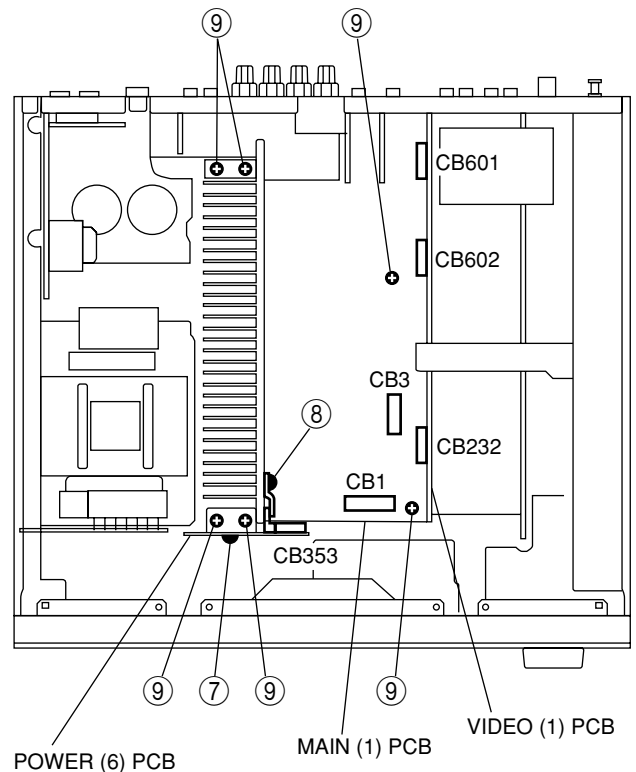


Fig. 2

■ SELF DIAGNOSIS FUNCTION (DIAG)

There are 13 DIAG menu items each of which has sub-menu items. Listed in the table below are menu items and sub-menu items.

No.	DIAG menu	sub-menu	Remote control code (key)
1	DSP THROUGH	1. ANALOG BYPAS (ANALOG BYPASS)	7A-90 (PRG 9)
		2. DSP 0dB	7A-91 (PRG 10)
		3. DSP FULL BIT	7A-92 (PRG 11)
2	HP ROUTE	1. HP 0dB	7A-93 (PRG 12)
		2. HP FULL BIT	7A-10 (PRESET+)
3	RAM THROUGH	1. RAM 0dB	7A-11 (PRESET-)
		2. MAIN ATT	7A-12 (PAGE)
4	PRO LOGIC	1. YSS928	7A-0C (CD FF)
5	SPEAKERS SET	1. MAIN:SML 0dB (MAIN:SMALL 0dB)	7A-88 (PRG 1)
		2. MAIN:LRG -10dB (MAIN:LARGE -10dB)	7A-89 (PRG 2)
		3. CENTER:NONE	7A-8A (PRG 3)
		4. LFE/B:MAIN (LFE/BASS:MAIN)	7A-8B (PRG 4)
		5. Front Mix:5ch	7A-8C (PRG 5)
6	DISPLAY CHECK	1. VFD CHECK (initial screen)	7A-8F (PRG 8)
		2. VFD DISP OFF (All segments OFF)	-
		3. VFD DISP ALL (All segments ON 100%)	-
		4. VFD DIMMER (All segments ON 50%)	-
		5. CHECKED PATTERN (ON in lattice)	-
7	MANUAL TEST	1. ALL	7A-00 (TP PLAY)
		2. MAIN L	7A-01 (TP RW)
		3. CENTER	7A-02 (TP FW)
		4. MAIN R	7A-03 (TP STOP)
		5. REAR R	7A-04 (TP PAUSE)
		6. REAR L	7A-06 (TP A/B)
		7. LFE	7A-09 (CD STOP)
8	RS-232C	1. TxRx DATA (unused)	-
		2. HARD FLOW (unused)	-
9	PRESET	1. PRESET INHIBIT (memory initialization inhibited)	-
		2. PRESET RESERVED (memory initialized)	7A-57 (SLEEP)
10	AD DATA CHECK	1. REC-OUT (unused)	-
		2. K0/K1 (panel key)	-
		3. DC/PS (protection)	7A-0B (CD SKIP-)
11	IF STATUS	1. IST (internal status)	-
		2. CS1 (channel status 1)	-
		3. CS2 (channel status 2)	-
		4. CS3 (channel status 3)	-
		5. CS4 (channel status 4)	-
		6. CS5 (channel status 5)	-
		7. BI1 (BSI-DD 1)	-
		8. BI2 (BSI-DD 2)	-
		9. BI3 (BSI-DD 3)	-
		10. BI4 (BSI-DD 4)	-
		11. BS1 (BSI-DTS 1)	-
		12. BS2 (BSI-DTS 2)	-
		13. BS3 (BSI-DTS 3)	-
		14. BS4 (BSI-DTS 4)	-
		15. YS1 (YSS-928-1)	-
		16. YS2 (YSS-928-2)	-
		17. YS3 (YSS-928-3)	-
12	DSP RAM CHECK	Bus Check	7A-0A (CD SKIP+)
13	VERSION/CHECK SUM/PORT	1. VER. (Version information)	7A-0D (CD REW)
		2. A/P (Checksum ALL/PROG)	-
		3. 2/M (Checksum 232C/MAKER)	-
		4. PORT (Port check)	-

• Starting DIAG

Press the “STANDBY/ON key while pressing those two keys indicated in the figure on the right.

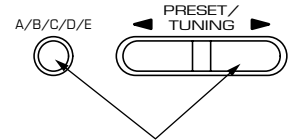
• Starting DIAG in the protection cancel mode

If the protection function works and causes hindrance to trouble diagnosis, cancel the protection function as described below, and it will be possible to enter the DIAG mode. (The protection function other than the excess current detect function will be cancelled.)

Press the “STANDBY/ON key while pressing those two keys indicated in the figure on the right. At this time, keep pressing those two keys for 3 seconds or longer.

In this mode, the “ZONE2” segment of the FL display of the main unit flashes to indicate that the mode is DIAG mode with the protection functions cancelled.

Keys of main unit (in sealing panel)



Turn on the power while pressing these keys.

CAUTION!

Note that during the DIAG mode with protection functions cancelled, even when a danger is encountered, protection functions do not work. Therefore, operating the equipment in this mode may cause danger to it. Use special care for this point when using this mode.

• Canceling DIAG

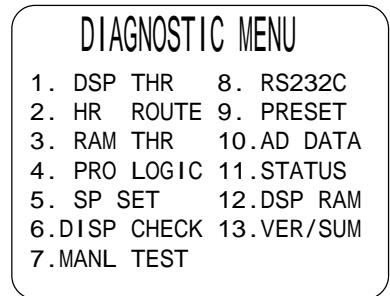
[1] Before canceling DIAG, execute setting for PRESET of DIAG menu No.9 (Memory initialization inhibited or Memory initialized).

* In order to keep the user memory stored, be sure to select PRESET INHI (Memory initialization inhibited).

[2] Turn off the power by pressing the “STANDBY/ON” key of the main unit or the “STANDBY” key of the remote controller.

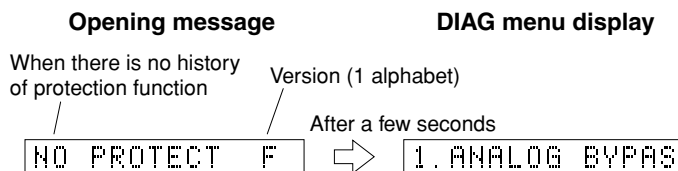
• Display provided when DIAG started

When the monitor is connected, DIAGNOSTIC MENU appears on its screen as shown in the figure. (It remains on display until DIAG is cancelled.)



The FL display of the main unit displays the protection function history data and the version (1 alphabet) and the DIAG menu (sub-menu (ANALOG BYPASS) of DIAG menu No.1 DSP THROUGH) a few seconds later.

When there is no history of protection function:



When there is a history of protection function:

When there is a history of protection function against excess current



Version (1 alphabet)

Cause: An excessive current flowed to the power amplifier.

Supplementary information: As current of the power transistor is detected, the abnormal channel can be identified by checking the current detect transistor.

Turning on the power without correcting the abnormality will cause the protection function to work immediately and the power supply will soon be shut off.

When there is a history of protection function against abnormal voltage in the power supply section



Version (1 alphabet)

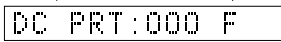
Voltage display in %

Cause: The voltage in the power supply section is abnormal.

Supplementary information: The abnormal voltage is displayed in % based on 5V as 100%.

Turning on the power without correcting the abnormality will cause the protection function to work 1 second later and the power supply will be shut off.

When there is a history of protection function against abnormal DC output



Version (1 alphabet)

Voltage display in %

Cause: DC output of the power amplifier is abnormal.

Supplementary information: The abnormal voltage is displayed in % based on 5V as 100%.

Turning on the power without correcting the abnormality will cause the protection function to work 3 seconds later and the power supply will be shut off.

- * Besides above possible causes for abnormality, a cause may lie in disconnected connector, around CPU, etc.
- * For the protection voltage value, refer to DIAG menu No.10 described later.

• History of protection function

When the protection function has worked, its history is stored in memory with a backup. Even if no abnormality is noted while servicing the unit, an abnormality which has occurred previously can be defined as long as the backup data has been stored.

The history of the protection function is cleared when DIAG is cancelled by selecting RESERVED (Memory initialized) of DIAG menu No.9 or when the backup data is erased.

• Display during menu operation

During the DIAG operation, the menu list described in the section of the startup screen appears on the superimposed screen and the function at work is indicated on the FL indicator. The contents displayed during the function operation are described in the later section on details of functions.

• Operation procedure of DIAG menu and SUB-MENU

There are No.1 to No.13 MENU items, each of which has some SUB-MENU items.

DIAG menu selection

Main unit: Select the menu using ◀ (Forward) and ▶ (Reverse) keys of PRESET/TUNING located in the sealing panel.

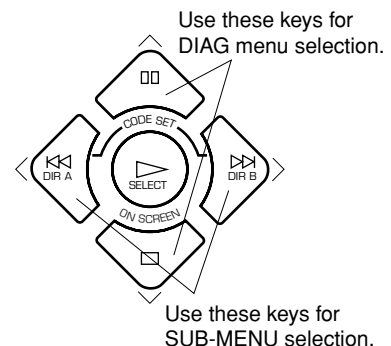
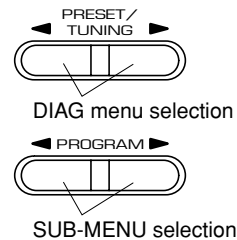
Remote control unit: Select the menu using ▲ (Forward) and ▼ (Reverse)keys.

SUB-MENU selection

Main unit: Select the sub-menu using ◀ (Forward) and ▶ (Reverse) keys of PROGRAM located in the sealing panel.

Remote control unit: Select the sub-menu using ◀ (Forward) and ▶ (Reverse)keys.

- * Only the remote control keys indicated in the MENU List can be used to select a sub-menu directly.



• Functions in DIAG mode

In addition to the DIAG menu items, functions as listed below are available.

- Input selection, 6CH input
- REC OUT (ZONE2) switching
- Center/Rear/Sub-woofer level adjustment
- Muting
- Speaker relay A/B
- Power on/off
- Master volume

It is possible to set to the following volume values directly by transmitting remote control codes during the DIAG operation only.

Volume value (dB)	Remote control code	Remote control key
0	7A-E0	PAGE A
-20	7A-E1	PAGE B
-30	7A-E2	PAGE C
MUTE	7A-E3	PAGE D

- * Functions related to the tuner and the set menu are not available.
- * It is possible to confirm Menu No.11 IF STATUS while keeping the signal process (operation status) of each DIAG menu by using the input mode key of the main unit.

• Initial settings used to start DIAG

Following initial settings are used when starting DIAG.

When DIAG is canceled, these settings are restored to those before starting DIAG.

- Master volume: -40dB
- Input, ZONE2 input: DVD (6CH INPUT OFF)
- Center/Rear/Sub-woofer level: 0dB
- Audio mute: OFF
- Speaker relay A/B: ON
- Speaker setting: LARGE / BASS OUT = BOTH
- DIAG menu: DSP through (analog bypass)

• Details of DIAG menu

1. DSP THROUGH

There are 3 sub-menu items (ANALOG BYPAS, DSP 0dB, DSP FULL BIT).

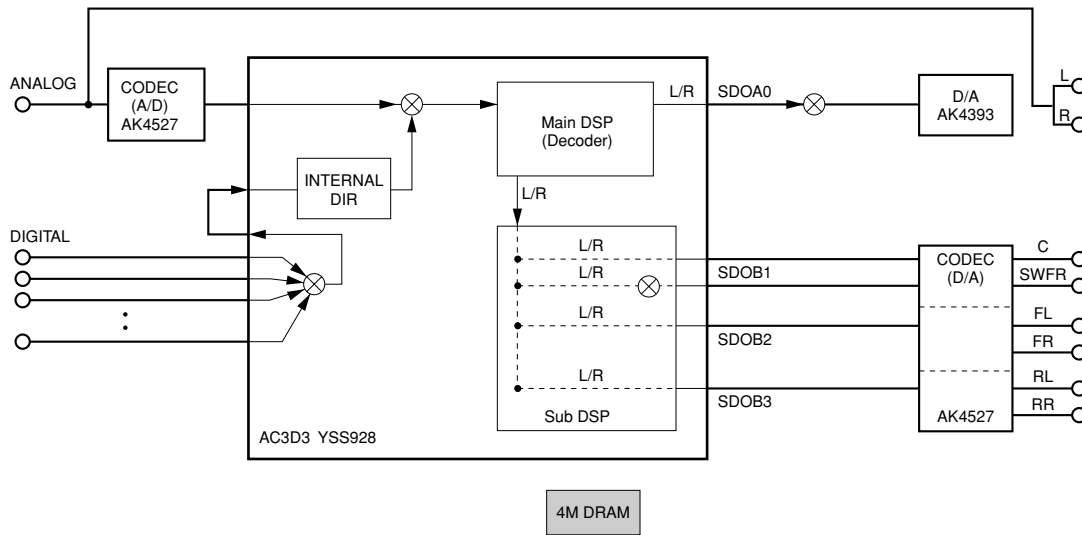
1. ANALOG BYPAS

ANALOG BYPASS [Remote control code: 7A-90 (PRG9)]

- The input mode is fixed to use the analog (A/D) system.
- The L/R signal is output through the analog bypass without using the DSP block.
- C/SWF, FL/FR, RL/RR signals are output through DSP (see the signal path in the figure below) without using the external DRAM. (Head margin included)

Head margin:

Center: -6dBFS, Rear Center: -3dBFS, FL/FR: -6dBFS, RL/RR: -12dBFS, SWFR: Add L/R signal at -20dBFS.



SDOxx represents a terminal name of AC3D3.

The shaded square () means that the element indicated in it does not operate.

DSP 0dB [Remote control code: 7A-91 (PRG 10)]

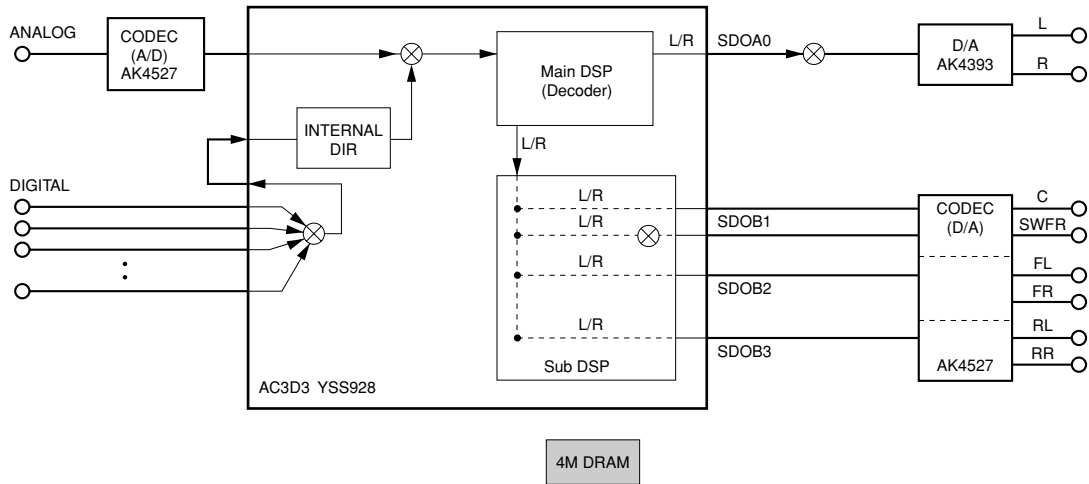
1. DSP 0dB

- C/SWFR, FL/FR, RL/RR signals are output through DSP (see the signal path in the figure below) without using the external DRAM. (Head margin included)

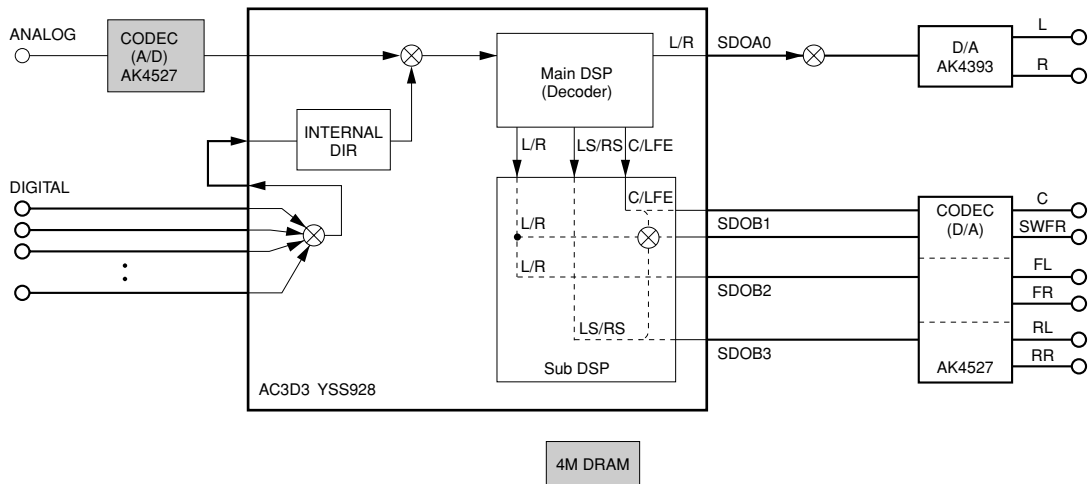
Head margin:

Main L/R: 0dBFS, Center: -6dBFS, Rear Center: -3dBFS, FL/FR: -6dBFS, RL/RR: -12dBFS, SWFR: Add L/R signal at -20dBFS.


[2ch source]



[Multi ch source]



SDOxx represents a terminal name of AC3D3.

The shaded square () means that the element indicated in it does not operate.

DSP FULL BIT [Remote control code: 7A-92 (PRG 11)]

1. DSP FULL BIT

- The signal is output in digital full bit without including the head margin.
- The same applies as “DSP 0dB” except that the digital data is output in full bit at D/A.
- However, the SWFR signal is not output in full bit.

2. HP ROUTE

There are 2 sub-menu items (HP 0dB and HP FULL BIT).

2. HP 0dB

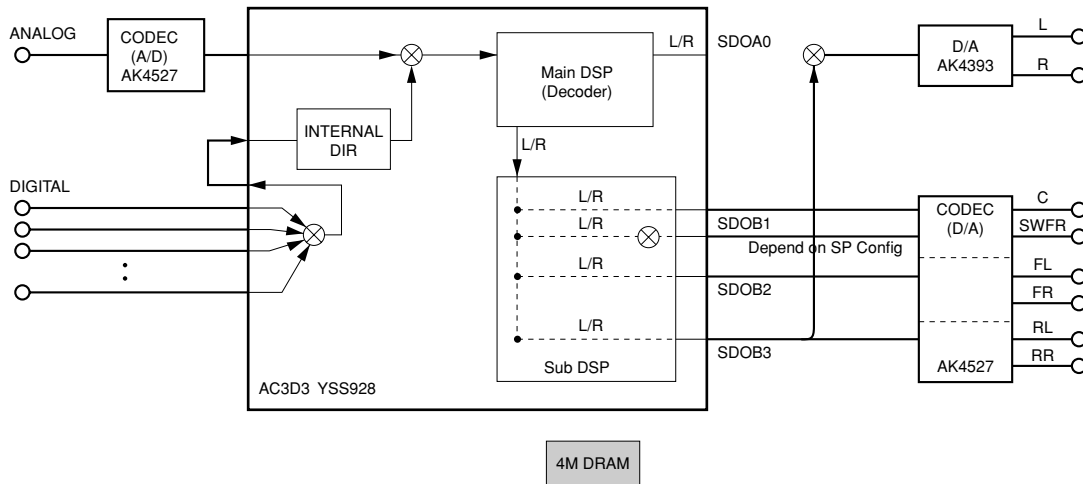
HP 0dB [REMOTE CONTROL CODE: 7A-93 (PRG 12)]

- L/R, C/SWFR, FL/FR, RL/RR signals are output through DSP (see the signal path in the figure below) without using the external DRAM. (Head margin included)
- SDOB3 output is input to Main L/R DAC. Other than that, everything is the same as DSP THROUGH.

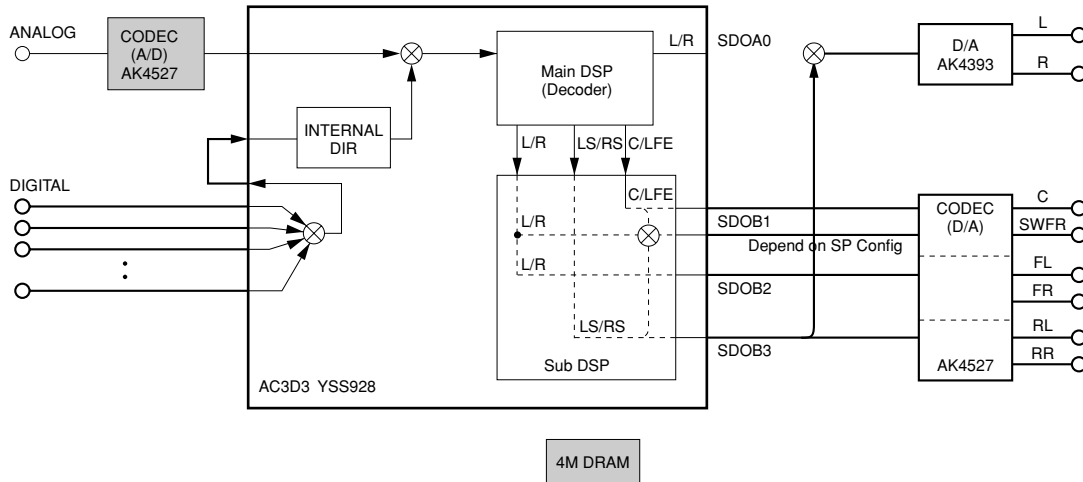
Head margin:

Main L/R: -18dBFS, Center: -6dBFS, Rear Center: -3dBFS, FL/FR: -6dBFS, RL/RR: -18dBFS, SWFR: Add L/R signal at -20dBFS.


[2ch source]



[Multi ch source]



SDOxx represents a terminal name of AC3D3.

The shaded square () means that the element indicated in it does not operate.

2. HP FULL BIT

HP FULL BIT [Remote control code: 7A-10 (PRESET+)]

- The signal is output in digital full bit without including the head margin.
- The same applies as “HP 0dB” except that the digital data is output in full bit at D/A.
- However, the SWFR signal is not output in full bit.

3. RAM THROUGH

The main L/R uses the analog through method when analog signals are input and the DSP through method when digital signals are input.

The Center, FL/FR and RL/RR signals are output through the external DRAM.

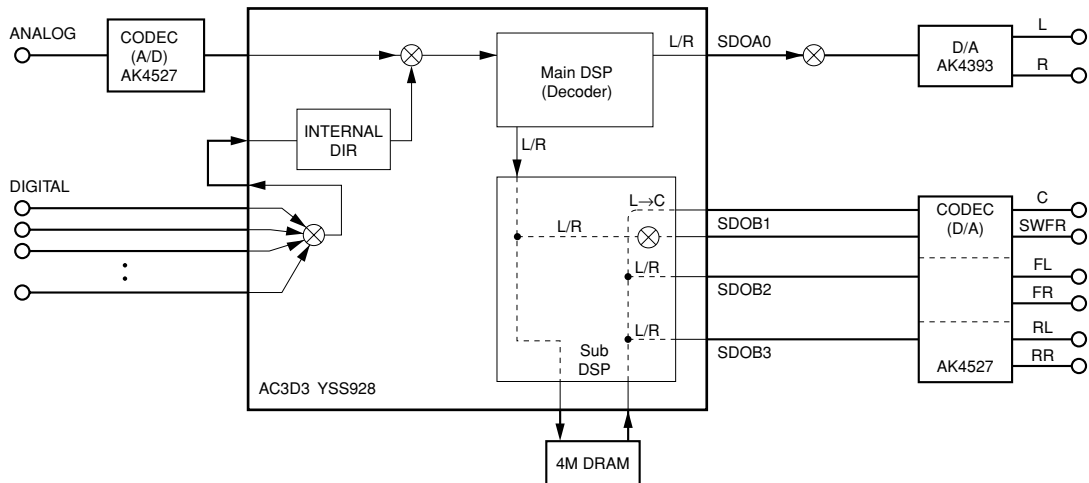
3. RAM 0dB

RAM 0dB [REMOTE CONTROL CODE: 7A-11 (PRESET-)]

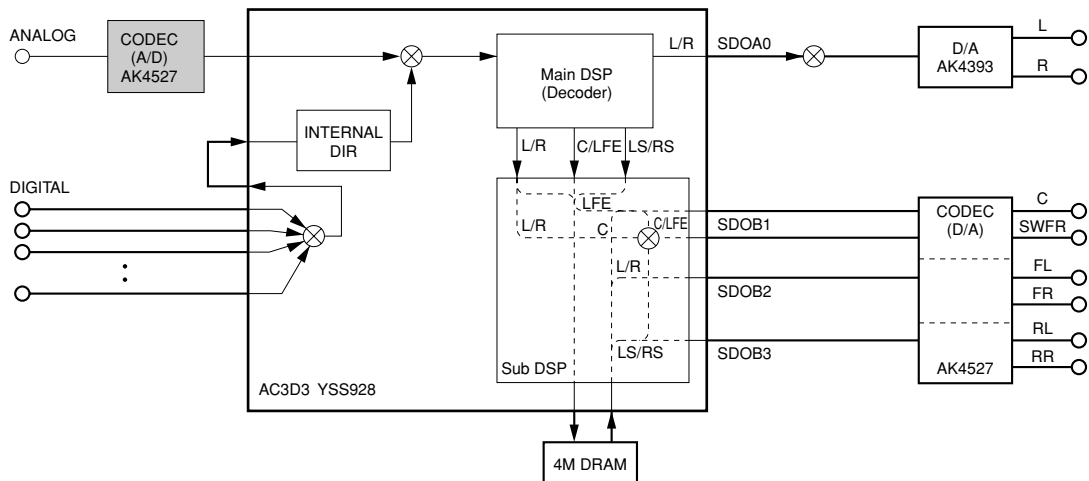
3. MAIN ATT

MAIN ATT [REMOTE CONTROL CODE: 7A-12 (PAGE)]


[2ch source]



[Multi ch source]



SDOxx represents a terminal name of AC3D3.

The shaded square () means that the element indicated in it does not operate.

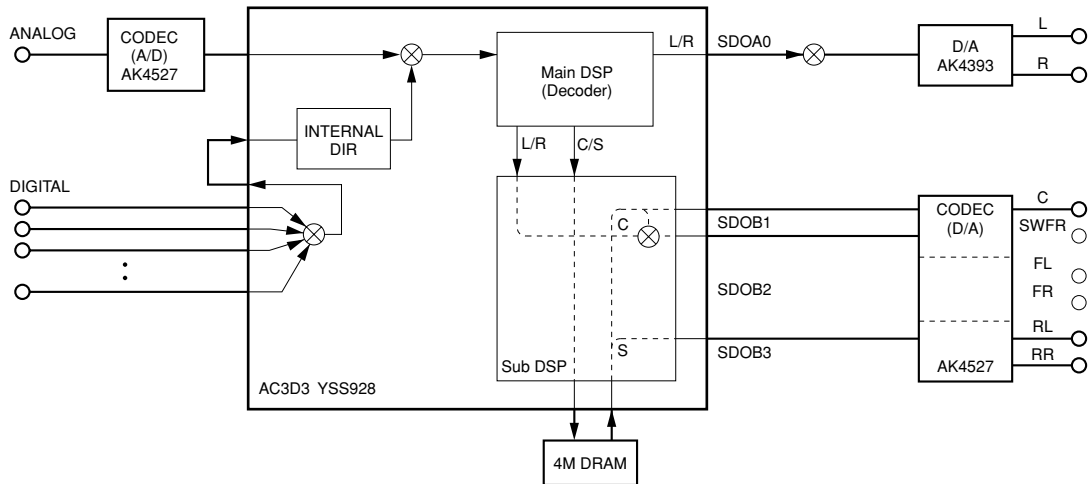
4. PRO LOGIC [YSS928]

Operation conforming to the ordinary Dolby Normal sound field is provided.

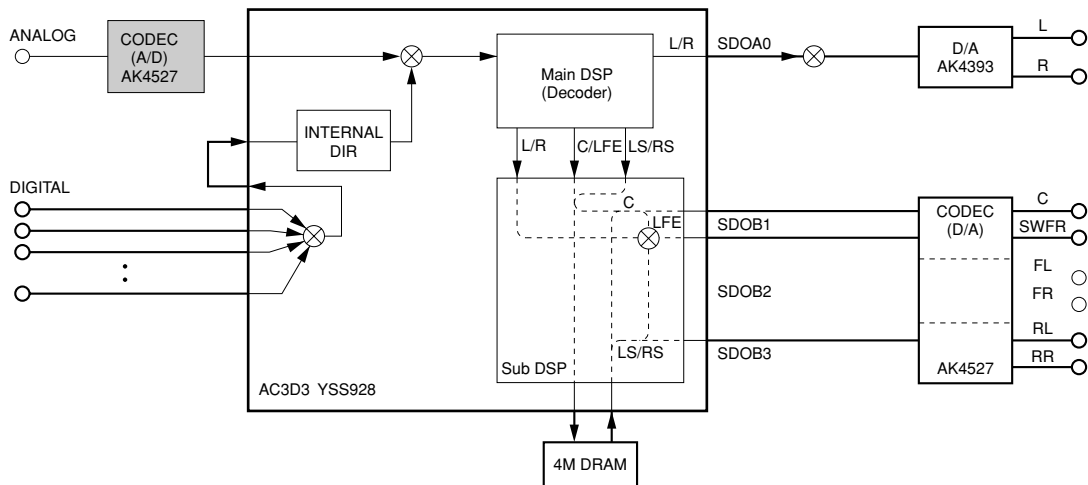
[REMOTE CONTROL CODE: 7A-0C (CD FF)]

4. PRO LOGIC

[2ch source] Same as ordinary Pro Logic except that the auto input balance function is off.



[Dolby D./dts Normal]



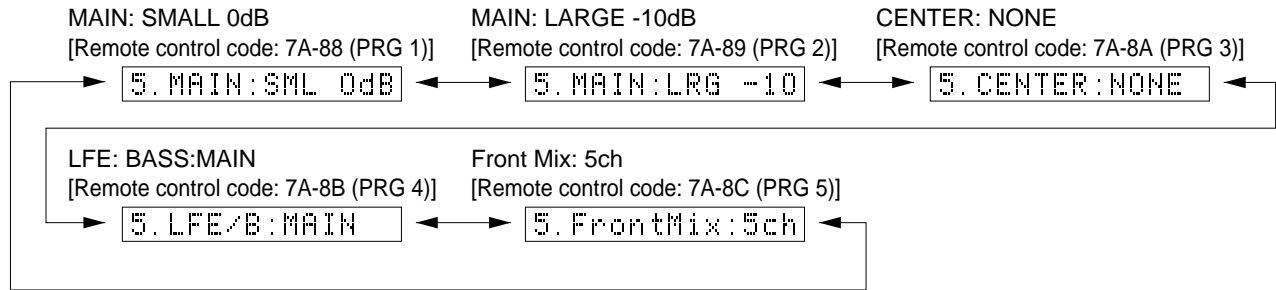
SDOxx represents a terminal name of AC3D3.

The shaded square () means that the element indicated in it does not operate.

5. SPEAKERS SET

The input signal is automatically identified in the order of dts → DOLBY DIGITAL → PCM → Analog.

There are five sub-menu items as follows. The signals output from the DSP block are the same as 1. DSP THROUGH: DSP 0dB.



The analog switch settings for each sub-menu are as shown in the table below.

	Sub-menu	CENTER SP	REAR SP	MAIN SP	MAIN LVL	LFE/BASS
1	MAIN:SMALL 0dB	LARGE	LARGE	SMALL	0dB	SWFR
2	MAIN:LARGE -10	LARGE	LARGE	LARGE	-10dB	BOTH
3	CENTER:NONE	NONE	LARGE	LARGE	0dB	BOTH
4	LFE/BASS:MAIN	SMALL	SMALL	LARGE	0dB	MAIN
5	FRONT MIX:5CH	LARGE	LARGE	LARGE	0dB	BOTH

LARGE: Signals are output in all bandwidths.

SMALL: Signals lower than 90Hz are mixed in the channel specified by LFE/BASS.

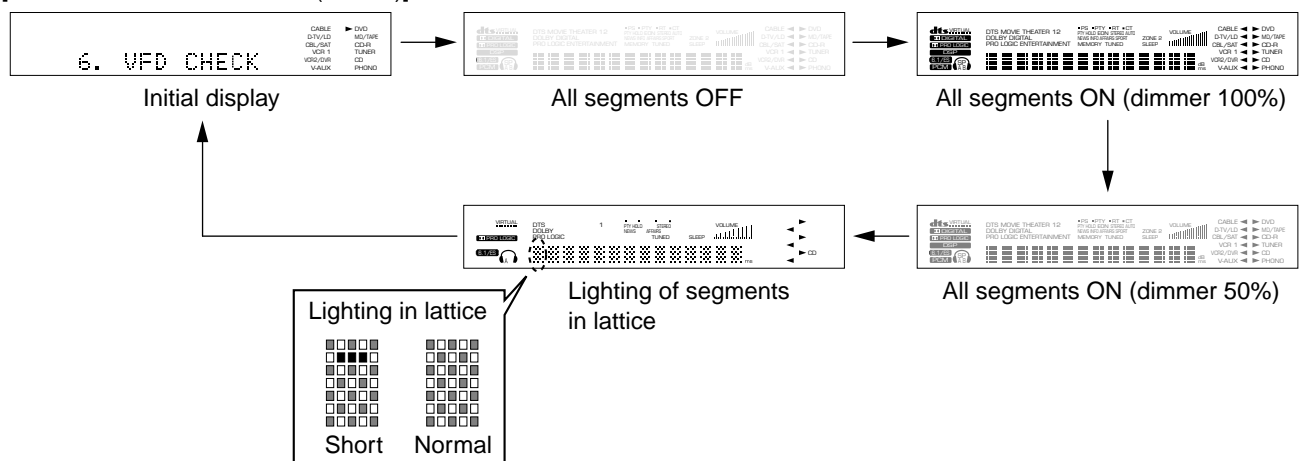
NONE: The center contents are distributed to the MAIN L/R channels after -3dB.

6. DISPLAY CHECK

This program is used to check the FL display section. The display condition varies as shown below according to the sub-menu operation. The signals are processed using EFFECT OFF (The L/R signal is output using ANALOG MAIN BYPASS.) The video signal internal/external synchronization switching is controlled by the microprocessor. When the initial message is displayed and all the FL segments light up, it is switched to the internal synchronization but other than that it is forced to the external synchronization setting.

Also, except for the initial display, 128 pictographs for checking the OSD driver are used for the video signal output display.

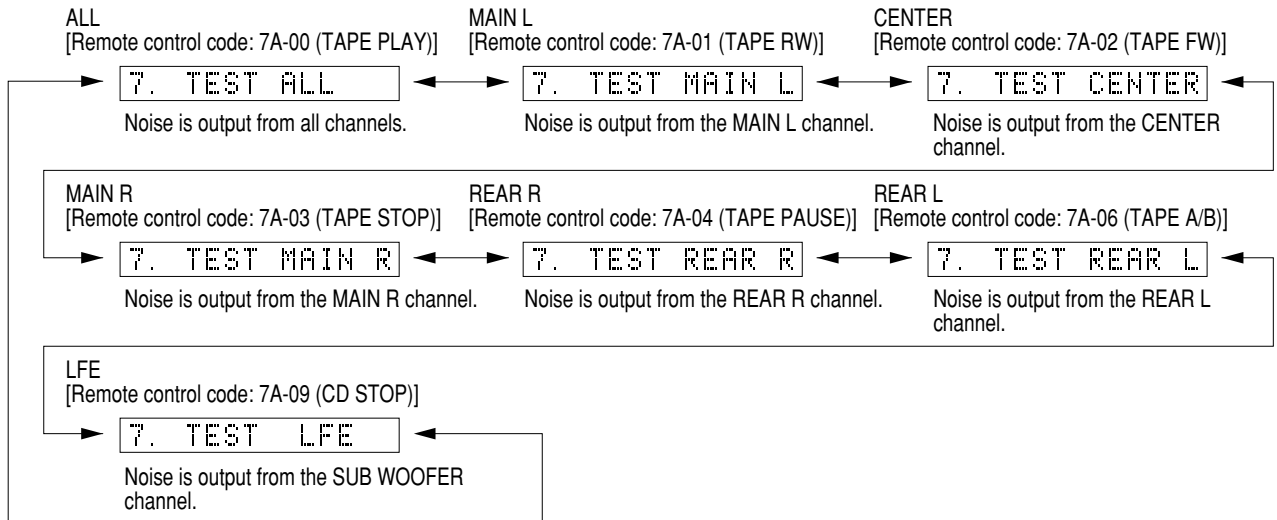
[Remote control code: 7A-8F (PRG 8)]



Segment conditions of the FL driver and the FL tube are checked by turning ON and OFF all segments. Next, the operation of the FL driver is checked by using the dimmer control. Then a short between segments next to each other is checked by turning ON and OFF all segments alternately (in lattice). (In the above example, the segments in the second row from the top are shorted.)

7. MANUAL TEST

The noise generator with a built-in DSP outputs the test noise through the channels specified by the sub-menu. The noise frequency for LFE is 35 to 250 Hz. Other than that, the center frequency is 800Hz.

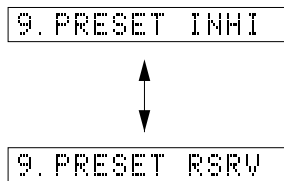


8. RS-232C

RX-V800 does not use this menu.

9. PRESET

This menu is used to reserve and inhibit initialization of the back-up RAM. The signals are processed using EFFECT OFF. (The L/R signal is output using ANALOG MAIN BYPASS.)



PRESET INHIBIT (Initialization inhibited) [REMOTE CONTROL CODE: -]
RAM initialization is not executed. Select this sub-menu to protect the values set by the user.

PRESET RESERVED (Initialization reserved) [REMOTE CONTROL CODE: 7A-57 (SLEEP)]
Initialization of the back-up RAM is reserved. (Actually, initialization is executed next time when the power is turned on.) Select this sub-menu to reset when shipped out of the factory or to reset RAM.

10. AD DATA CHECK

This menu is used to display the A/D conversion value of the main CPU which detects panel keys of the main unit and protection functions in % using the sub-menu. (Reference voltage 5V as 100%) During signal processing, the condition before execution is maintained.

When in K0/K1 page, it is not possible to operate the keys of the main unit because the values of all keys are detected. But one click on the volume encoder of the main unit to the right or left will cancel this function and sets to the next sub-menu. Note, however, that clicking there more than once would change the DIAG menu. In such a case, return to the DIAG menu which has been used for measurement. During signal processing, the condition before execution of this menu is maintained.

REC-OUT:085

REC OUT [Remote control code: -]
RX-V800 does not use this sub-menu.

K0:100 K1:100

K0/K1 (Panel key of main unit) [Remote control code: -]
A/D of the key fails to function properly when the standard value is deviated by $\pm 4\%$. In this case, check the constant of partial pressure resistor, solder condition, etc.

[Table 1]

Display	K0	K1
0	PRESET ►	6CH INPUT
10	PRESET ◀	INPUT ►
20	PRESET/TUNING	INPUT ◀
30	FM/AM	INPUT MODE
40	MEMORY	SPEAKERS A
50	TUNING MODE	SPEAKERS B
60	RDS MODE	EFFECT
70	RDS EON	PROGRAM ►
80	PTY MODE	PROGRAM ◀
90	PTY START	A/B/C/D/E
100	KEY OFF	KEY OFF

DC:007 PS:025

DC/PS (Protection) [REMOTE CONTROL CODE: 7A-0B (CD SKIP-)]

DC: DC detect protection value (Normal value: 1 to 13)

PS: Power voltage protection value (Normal value: 18 to 32)

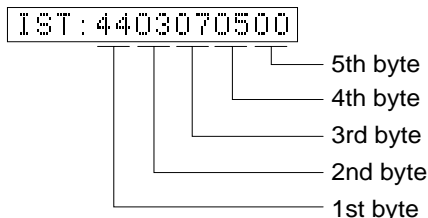
* If DC or PS is out of the normal value range, the protection function works to turn off the power.

11. IF STATUS

Using the sub-menu, the status data is displayed one after another in the hexadecimal notation.
 During signal processing, the status before execution of this menu is maintained.

* Numeric values in the figure example are for reference.

IST (Internal status) [REMOTE CONTROL CODE: -]
 Indicates the status information of the microprocessor.



<1st byte> Digital input/output setting value
 Upper 4 bits: REC OUT selected/lower 4 bits: INPUT selected

Numeric value	Selection	Numeric value	Selection	Numeric value	Selection	Numeric value	Selection
0	NONE	4	OPT3	8	COAX1	C	COAX3
1	FRONT	5	OPT4	9	COAX2	D	RF
2	OPT1	6	OPT5	A	COAX4		
3	OPT2	7	OPT6	B	COAX5		

<2nd byte> Fs information of reproduction signal

Display	00	01	02	03	04	05	06	07	08	09
Fs (kHz)	Analog	32	44.1	48	64	88.2	96	Unknown NRM	Unknown DBL	Not defined

<3rd byte> Audio code mode information of reproduction signal

Display	00	01	02	03	04	05	06	07	08	09	0A	0B
Audio Code	1+1	1/0	2/0	3/0	2/1	3/1	2/2	3/2	2/3	3/3	dts7.1	Not defined

<4th byte> Format information of reproduction signal

*1: Analog processing is used as digital reproduction is not possible because of a commercial bit or 4-ch audio reason.

Display	Signal format
00	Analog (Unlock)
01	Incorrect digital (*1)
02	Digital Data
03	IEC1937 Data
04	PCM Audio
05	Dolby Digital
06	D.D.Karaoke
07	D.D.EX
08	RED dts
09	ORANGE dts
0A	dts ES
0B	NONE PCM

<5th byte> Signal processing status information

*2: With digital signals other than 32kHz, 44.1kHz and 48kHz, through processing method is used for reproducible signals.

bit7	MUTE request	bit3	-
bit6	Red dts flashing	bit2	Through & bypass (*2)
bit5	6.1ch. sound field being processed	bit1	-
bit4	FULL MUTE (ON: 1)	bit0	dts analog mute

CS1-5 [Remote control code: -]: Indicates channel status information of the input signal (IEC60958).

CS1:0299000200 - - - - - CS5:00000000

BI1-4 [Remote control code: -]: Indicates information of the bit stream included in the DOLBY DIGITAL signal.

BI1:1C40E1301B - - - - - BI4:F500F800

BS1-4 [Remote control code: -]: Indicates information of the bit stream included in the dts signal.

BS1:FFFFFFFF - - - - - BS4:FFFFFFFF

YS1-3 [Remote control code: -] Indicates device status information of YSS928 (IC501). * The numeric value in the figure is an example for reference.

YS1:FED218070F

Byte No.	Function
1	YSS MUTE Reg
2	YSS MODE Reg
3	YSS IPORT BIT 7-0
4	YSS IPORT BIT 14-8
5	YSS OPORT

YS2:0101418000

Byte No.	Function
1	IEC 1937 Preamble Pc
2	AC-3 Data Stream No
3	AC-3D Decode Status
4	YSS ZERO Reg
5	MIREG

YS3:1A41803D

Byte No.	Function
1	DIR Status
2	DIR fs
3	DIR fs count
4	YSS ZEROBF

12. DSP RAM CHECK

This menu is used to self-diagnose whether or not bus connection of YSS928 (IC501) and the external RAM (IC502) is made properly.

During signal processing, the status before execution of this menu is maintained.

Bus Check:NoEr

Bus Check [Remote control code: 7A-0A (CD SKIP+)]

The address bus and the data bus are checked and the connection condition is displayed.

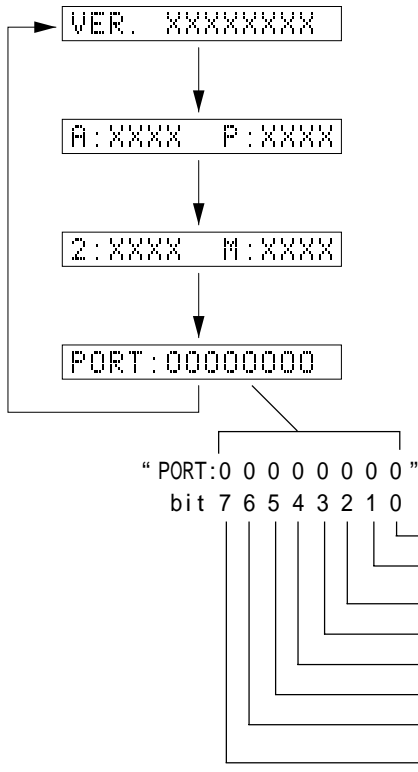
When no error is detected, "NoEr" appears on display.

Display	Description
WAIT	Bus being checked.
NoEr	No error detected.
DATA	Data bus shorted or open.
ADDR	Address bus shorted or open.

13. MICROPROCESSOR INFORMATION

There are 4 sub-menu display.

The version, checksum and the port specified by the microprocessor are displayed. The signal is processed using EFFECT OFF. The checksum is obtained by adding the data at every 16 bits for each program area and expressing the result as a 4-figure hexadecimal data.



Version [Remote control code: 7A-0D (CD REW)]

Release 1 figure / Main 2 figures / DSP 2 figures / Communication 1 figure / Boot manufacturer 1 figure / Boot 232c 1 figure

Checksum [Remote control code: -]

A : All P : Program area

Checksum [Remote control code: -]

2 : Boot 232C M : Boot manufacturer

Check of port setting for judging microprocessor function [Remote control code: -]

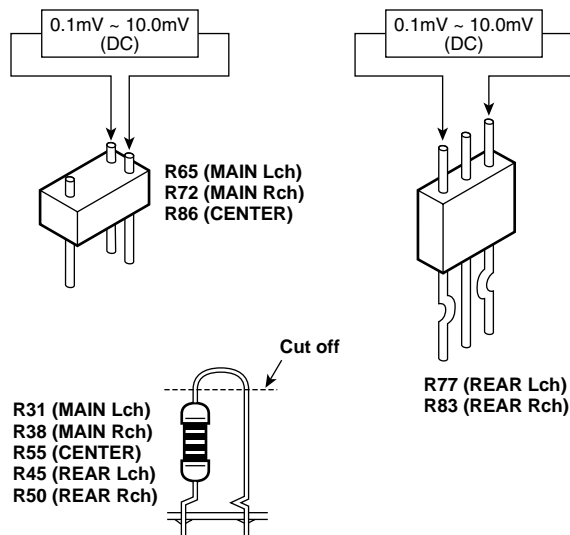
*1

Tuner mode 0	Tuner mode 1	Tuner frequency
0	0	AM: 531-1611kHz/9kHz FM: 76.0-90.0MHz/100kHz
0	1	AM: 531-1611kHz/9kHz FM: 87.5-108.0MHz/50kHz
1	0	AM: 530-1710kHz/10kHz FM: 87.5-107.9MHz/200kHz
1	1	R destination, Port6: LOW AM: 530-1710kHz/10kHz FM: 87.5-108.0MHz/100kHz HIGH AM: 531-1611kHz/9kHz FM: 87.5-108.0MHz/50kHz

■ AMP ADJUSTMENT

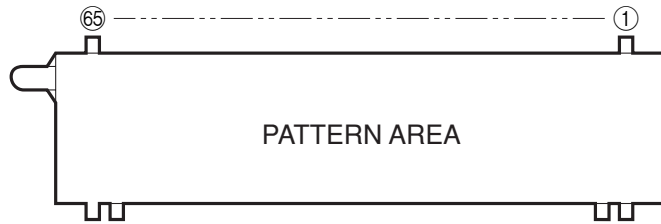
Confirmation of Idling Current of Main (1) P. C. B.

- Right after power is turned on, confirm that the voltage across the terminals of R65 (Main Lch), R72 (Main Rch), R86 (Center), R77 (Rear Lch), R83 (Rear Rch) are between 0.1mV and 10.0mV.
- If it exceeds 10.0mV, open (cutoff) R3 (Main Lch), R38 (Main Rch), R55 (Center), R45 (Rear Lch), R50 (Rear Rch) and reconfirm the voltage.
- Confirm that the voltage is 0.20mV ~ 15.0mV after 60 minutes.



■ DISPLAY DATA

● V901 : 16-BT-81GK (V5917600)



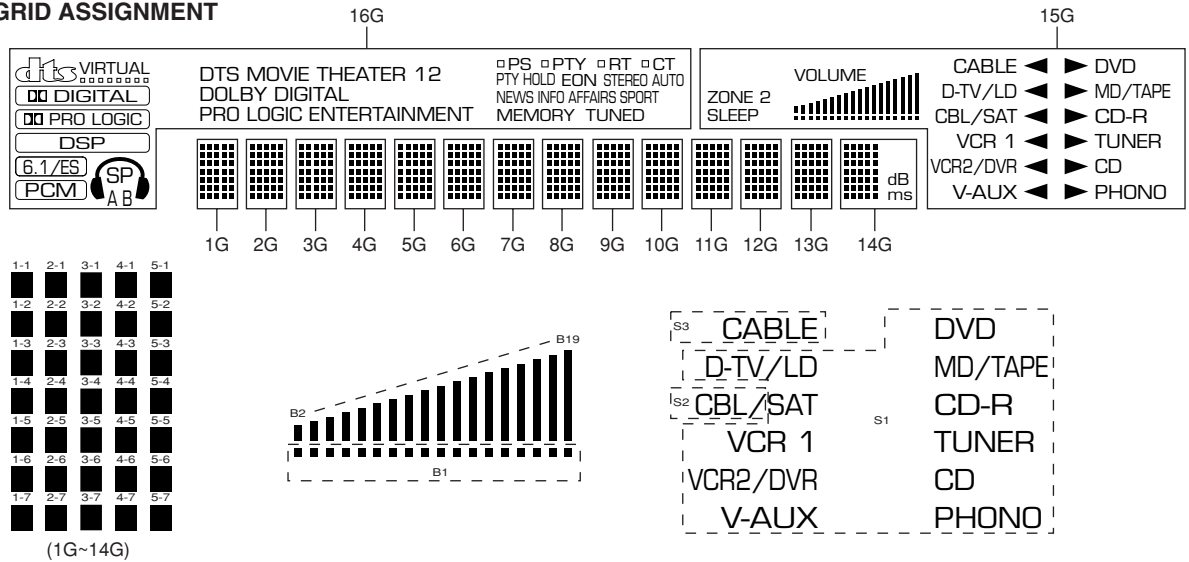
● PIN CONNECTION

Pin No.	65	64	63	62	61	60	59	58	57	56	55	54	53	52	51	50	49	48	47	46	45	44	43	42	41	40	39	38	37	36	35	34	33
Connection	F2	F2	NP	P37	P36	P35	P34	P33	P32	IC	NP	Fd	Fd	NP	IC	P31	P30	P29	P28	P27	P26	P25	P24	P23	P22	P21	P20	P19	P18	P17	P16	P15	P14

Pin No.	32	31	30	29	28	27	26	25	24	23	22	21	20	19	18	17	16	15	14	13	12	11	10	9	8	7	6	5	4	3	2	1
Connection	P13	P12	P11	P10	P9	P8	P7	P6	P5	P4	P3	P2	P1	16G	15G	14G	13G	12G	11G	10G	9G	8G	7G	6G	5G	4G	3G	2G	1G	NP	F1	F1

Note : 1) F1, F2 Filament 2) NP No pin 3) DL Datum Line 4) 1G ~ 16G Grid
 5) IC Internal connection (IC pin should be electrically open on the PC board.) 6) Fd terminals are to be supplied through 51kΩ from Ec.
 7) Field of vision is a minimum of 36° from the upper side. 26° from the lower side.

● GRID ASSIGNMENT



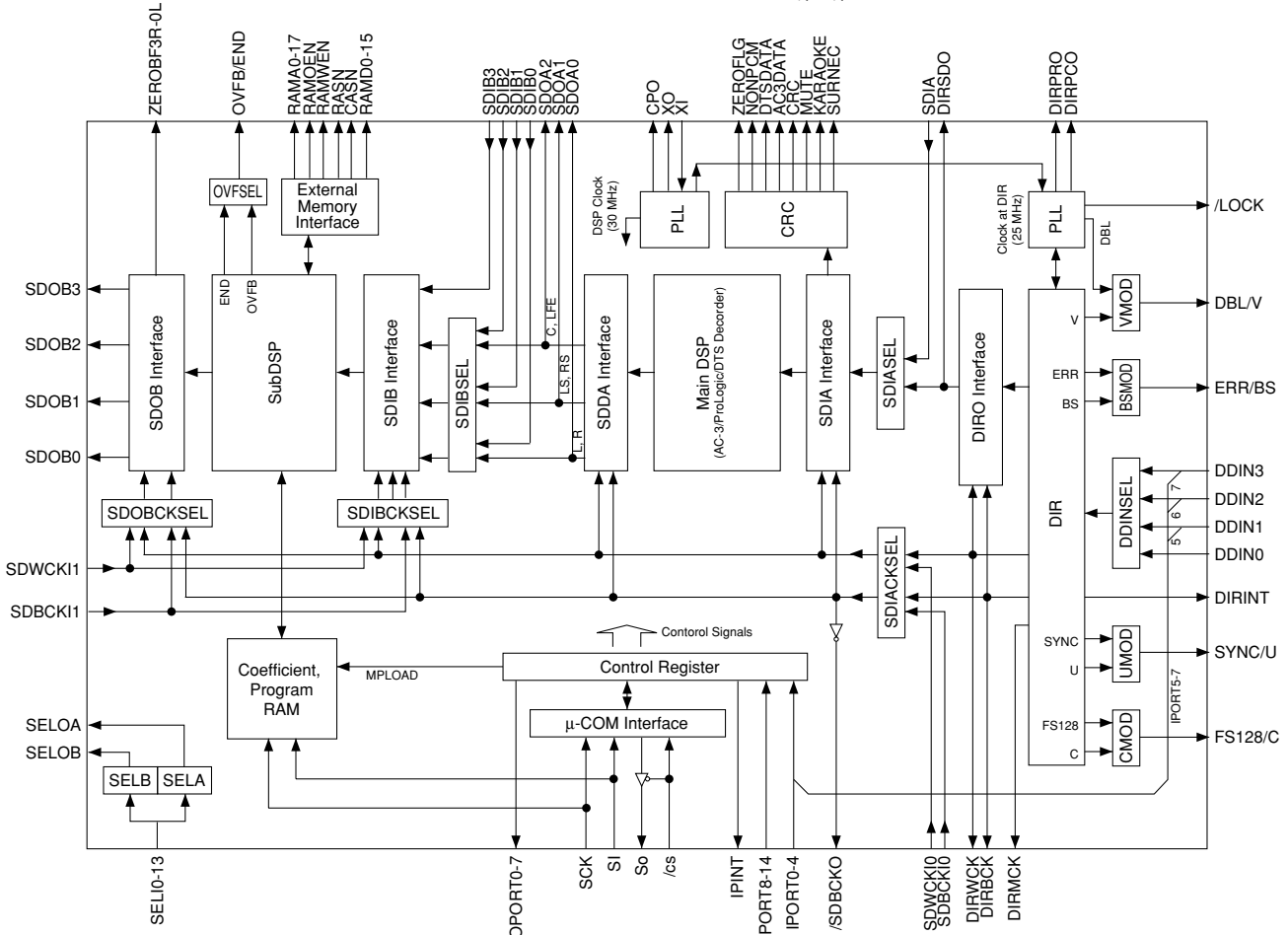
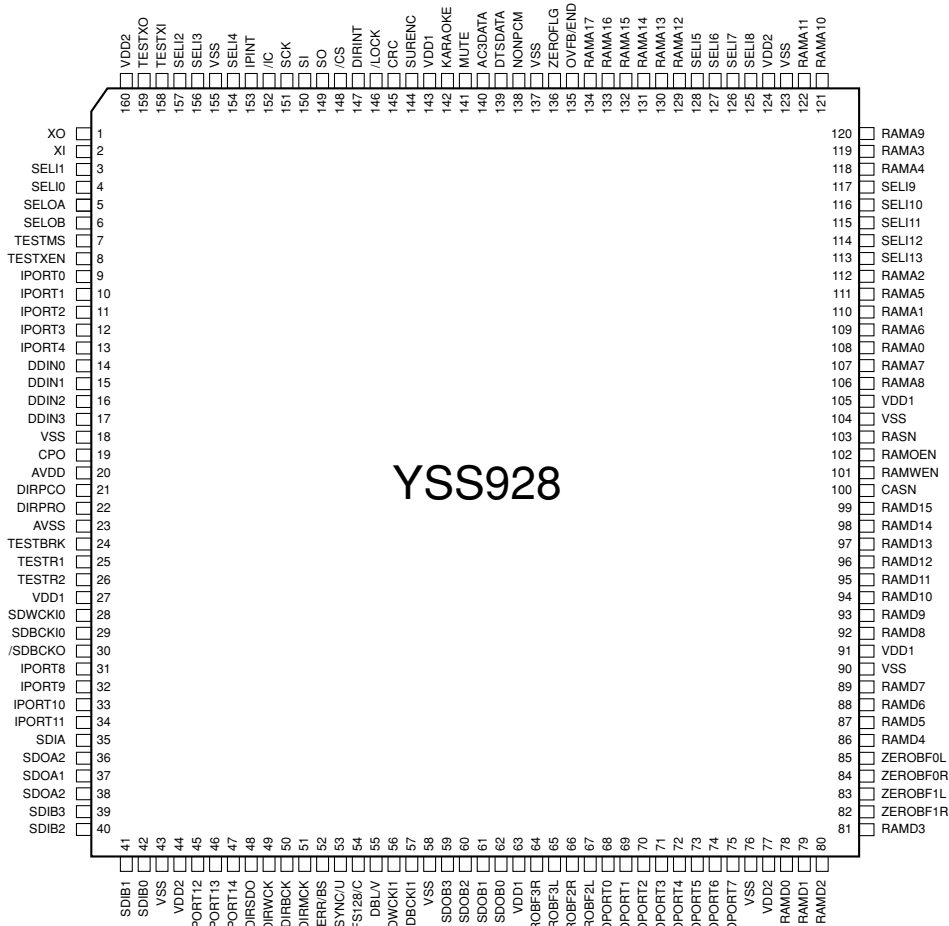
● ANODE CONNECTION

	16G	15G	14G	13G~1G
P1	VIRTUAL DIGITAL	ZONE 2	1-1	1-1
P2	VIRTUAL DIGITAL	SLEEP	2-1	2-1
P3	DIGITAL	VOLUME	3-1	3-1
P4	PRO LOGIC	B1	4-1	4-1
P5	DSP	B2	5-1	5-1
P6	6.1/ES	B3	1-2	1-2
P7	PCM	B4	2-2	2-2
P8	SP	B5	3-2	3-2
P9	A	B6	4-2	4-2
P10	B	B7	5-2	5-2
P11	DTS	B8	1-3	1-3
P12	DTS	B9	2-3	2-3
P13	MOVIE THEATER	B10	3-3	3-3
P14	1	B11	4-3	4-3
P15	2	B12	5-3	5-3
P16	DOLBY	B13	1-4	1-4
P17	DIGITAL	B14	2-4	2-4
P18	PRO LOGIC	B15	3-4	3-4
P19	ENTERTAINMENT	B16	4-4	4-4

	16G	15G	14G	13G~1G
P20	PS	B17	5-4	5-4
P21	PS	P18	1-5	1-5
P22	PTY	B19	2-5	2-5
P23	PTY	PHONO	3-5	3-5
P24	RT	CD	4-5	4-5
P25	RT	TUNER	5-5	5-5
P26	CT	CD-R	1-6	1-6
P27	CT	MD/TAPE	2-6	2-6
P28	PTY HOLD	DVD	3-6	3-6
P29	EON	CABLE	4-6	4-6
P30	STEREO	D-TV/LD	5-6	5-6
P31	AUTO	CBL/SAT	1-7	1-7
P32	NEWS	VCR 1	2-7	2-7
P33	INFO	VCR2/DVR	3-7	3-7
P34	AFFAIRS	V-AUX	4-7	4-7
P35	SPORT	S1	5-7	5-7
P36	MEMORY	S2	dB	-
P37	TUNED	S3	ms	-

IC DATA

IC501 : YSS928
PHONO EQ



IC501 : YSS928

Pin Description

No.	Name	I/O	Function
1	XO	O	Crystal oscillator connection terminal
2	XI	I	Crystal oscillator connection terminal (24.576 MHz)
3	SEL1	I+	Built-in selector input 1
4	SEL0	I+	Built-in selector input 0
5	SELOA	O+	Built-in selector A output
6	SELOB	O+	Built-in selector B output
7	TESTMS	I+	Test terminal Unconnected
8	TESTXEN	I+	Test terminal Unconnected
9	IPOINT0	I+	General purpose input terminal
10	IPOINT1	I+	General purpose input terminal
11	IPOINT2	I+	General purpose input terminal
12	IPOINT3	I+	General purpose input terminal
13	IPOINT4	I+	General purpose input terminal
14	DDIN0	Is	DIR: Digital audio interface data input terminal 0
15	DDIN1	Is	DIR: Digital audio interface data input terminal 1 / general purpose input terminal
16	DDIN2	Is	DIR: Digital audio interface data input terminal 2 / general purpose input terminal
17	DDIN3	Is	DIR: Digital audio interface data input terminal 3 / general purpose input terminal
18	VSS	-	GND
19	CPO	A	PLL filter connection terminal
20	AVDD	-	+3.3V power supply (for DIR block)
21	DIRPCO	A	DIR: PLL filter connection terminal
22	DIRPRO	A	DIR: PLL filter connection terminal
23	AVSS	-	GND (for DIR block)
24	TESTBRK	I+	Test terminal Unconnected
25	TESTR1	I+	PLL initialize signal input terminal for DSP
26	TESTR2	I+	Test terminal Unconnected
27	VDD1	-	+3.3V power supply (for terminal block)
28	SDWCKI0	I+	Word clock input terminal for SDIA, SDOA, SDIB, SDOB interfaces
29	SDBCKI0	I+	Word clock input terminal for SDIA, SDOA, SDIB, SDOB interfaces
30	/SDBCKO	O	Inverted clock output terminal for inverted clock of DIRBCK or SDBCKI0
31	IPOINT8	I+	IPINT compatible general purpose input terminal
32	IPOINT9	I+	IPINT compatible general purpose input terminal
33	IPOINT10	I+	IPINT compatible general purpose input terminal
34	IPOINT11	I+	IPINT compatible general purpose input terminal
35	SDIA	I	bitstream or PCM data input terminal to MainDSP
36	SDOA2	O	Output terminal for PCM from MainDSP (C, LFE output)
37	SDOA1	O	Output terminal for PCM from MainDSP (LS, RS output)
38	SDOA0	O	Output terminal for PCM from MainDSP (L, R output)
39	SDIB3	I+	Input terminal 3 for PCM to SubDSP
40	SDIB2	I+	Input terminal 2 for PCM to SubDSP
41	SDIB1	I+	Input terminal 1 for PCM to SubDSP
42	SDIB0	I+	Input terminal 0 for PCM to SubDSP
43	VSS	-	GND
44	VDD2	-	+2.5V power supply (for internal circuit)
45	IPOINT12	I+	IPIN compatible general purpose input terminal
46	IPOINT13	I+	IPIN compatible general purpose input terminal
47	IPOINT14	I+	IPIN compatible general purpose input terminal
48	DIRSDO	O	bitstream or PCM data output terminal from DIR
49	DIRWCK	O	DIR: Serial data word clock (fs) output terminal
50	DIRBCK	O	DIR: Serial data bit clock (64fs) output terminal
51	DIRMCK	O	DIR: Serial data master clock (256fs or 128fs) output terminal
52	ERR/BS	O	DIR: Data error detect / block start output terminal
53	SYNC/U	O	DIR: Serial data synchronous timing / user data output terminal
54	FS128/C	O	DIR: Serial data master clock 128fs / channel status output terminal
55	DBL/V	O	DIR: Double rate lock detect / parity flag output terminal
56	SDWCKI1	I+	Word clock input terminal for SDIB, SDOB interface
57	SDBCKI1	I+	Bit clock input terminal for SDIB, SDOB interface
58	VSS	-	GND
59	SDOB3	O	Output terminal for PCM from SubDSP
60	SDOB2	O	Output terminal for PCM from SubDSP
61	SDOB1	O	Output terminal for PCM from SubDSP
62	SDOB0	O	Output terminal for PCM from SubDSP
63	VDD1	-	+3.3V power supply (for terminal block)
64	ZEROBF3R	O+	SDOB3 Rch zero flag output terminal
65	ZEROBF3L	O+	SDOB3 Lch zero flag output terminal
66	ZEROBF2R	O+	SDOB2 Rch zero flag output terminal
67	ZEROBF2L	O+	SDOB2 Lch zero flag output terminal
68	OPORT0	O	General purpose output terminal
69	OPORT1	O	General purpose output terminal
70	OPORT2	O	General purpose output terminal
71	OPORT3	O	General purpose output terminal
72	OPORT4	O	General purpose output terminal
73	OPORT5	O	General purpose output terminal
74	OPORT6	O	General purpose output terminal
75	OPORT7	O	General purpose output terminal

No.	Name	I/O	Function
76	VSS	–	GND
77	VDD2	–	+2.5V power supply (for internal circuit)
78	RAMD0	I+/O	SubDSP: Data terminal 0 for external memory
79	RAMD1	I+/O	SubDSP: Data terminal 1 for external memory
80	RAMD2	I+/O	SubDSP: Data terminal 2 for external memory
81	RAMD3	I+/O	SubDSP: Data terminal 3 for external memory
82	ZEROBF1R	O+	SDOB1 Rch zero flag output terminal
83	ZEROBF1L	O+	SDOB1 Lch zero flag output terminal
84	ZEROBF0R	O+	SDOB0 Rch zero flag output terminal
85	ZEROBF0L	O+	SDOB0 Lch zero flag output terminal
86	RAMD4	I+/O	SubDSP: Data terminal 4 for external memory
87	RAMD5	I+/O	SubDSP: Data terminal 5 for external memory
88	RAMD6	I+/O	SubDSP: Data terminal 6 for external memory
89	RAMD7	I+/O	SubDSP: Data terminal 7 for external memory
90	VSS	–	GND
91	VDD1	–	+3.3V power supply (for terminal block)
92	RAMD8	I+/O	SubDSP: Data terminal 8 for external memory
93	RAMD9	I+/O	SubDSP: Data terminal 9 for external memory
94	RAMD10	I+/O	SubDSP: Data terminal 10 for external memory
95	RAMD11	I+/O	SubDSP: Data terminal 11 for external memory
96	RAMD12	I+/O	SubDSP: Data terminal 12 for external memory
97	RAMD13	I+/O	SubDSP: Data terminal 13 for external memory
98	RAMD14	I+/O	SubDSP: Data terminal 14 for external memory
99	RAMD15	I+/O	SubDSP: Data terminal 15 for external memory
100	CASN	O	SubDSP: Column address strobe output terminal for external DRAM
101	RAMWEN	O	SubDSP: Write enable output terminal for external memory
102	RAMOEN	O	SubDSP: Output enable output terminal for external memory
103	RASN	O	SubDSP: Low address strobe output terminal for external DRAM
104	VSS	–	GND
105	VDD1	–	+3.3V power supply (for terminal block)
106	RAMA8	O	SubDSP: Address terminal 8 for external memory
107	RAMA7	O	SubDSP: Address terminal 7 for external memory
108	RAMA0	O	SubDSP: Address terminal 0 for external memory
109	RAMA6	O	SubDSP: Address terminal 6 for external memory
110	RAMA1	O	SubDSP: Address terminal 1 for external memory
111	RAMA5	O	SubDSP: Address terminal 5 for external memory
112	RAMA2	O	SubDSP: Address terminal 2 for external memory
113	SELI13	I+	Built-in selector input 13
114	SELI12	I+	Built-in selector input 12
115	SELI11	I+	Built-in selector input 11
116	SELI10	I+	Built-in selector input 10
117	SELI9	I+	Built-in selector input 9
118	RAMA4	O	SubDSP: Address terminal 4 for external memory
119	RAMA3	O	SubDSP: Address terminal 3 for external memory
120	RAMA9	O	SubDSP: Address terminal 9 for external memory
121	RAMA10	O	SubDSP: Address terminal 10 for external memory
122	RAMA11	O	SubDSP: Address terminal 11 for external memory
123	VSS	–	GND
124	VDD2	–	+2.5V power supply (for internal circuit)
125	SELI8	I+	Built-in selector input 8
126	SELI7	I+	Built-in selector input 7
127	SELI6	I+	Built-in selector input 6
128	SELI5	I+	Built-in selector input 5
129	RAMA12	O	SubDSP: Address terminal 12 for external memory
130	RAMA13	O	SubDSP: Address terminal 13 for external memory
131	RAMA14	O	SubDSP: Address terminal 14 for external memory
132	RAMA15	O	SubDSP: Address terminal 15 for external memory
133	RAMA16	O	SubDSP: Address terminal 16 for external memory
134	RAMA17	O	SubDSP: Address terminal 17 for external memory
135	OVFB/END	O	SubDSP: Overflow / program end detect terminal
136	ZEROFLG	O	MainDSP: Zero flag output terminal
137	VSS	–	GND
138	NONPCM	O	Main DSP: non-PCM data detect terminal
139	DTSDATA	O	MainDSP: DTS data detect terminal
140	AC3DATA	O	MainDSP: AC-3 data detect terminal
141	MUTE	O	MainDSP: Auto mute detect terminal
142	KARAOKE	O	MainDSP: AC-3 Karaoke data detect terminal
143	VDD1	–	+3.3V power supply (for terminal block)
144	SURENC	O	MainDSP: AC-3 2/0 mode Dolby Surround Encode input detect terminal
145	CRC	O	MainDSP: AC-3 CRC error detect terminal
146	/LOCK	O	DIR: PLL lock detect terminal
147	DIRINT	O	DIR: Interrupt output terminal
148	/CS	Is	Microprocessor interface chip select input terminal
149	SO	Ot	Microprocessor interface data output terminal
150	SI	Is	Microprocessor interface data input terminal
151	SCK	Is	Microprocessor interface clock input terminal
152	/IC	Is	Initial clear input terminal
153	IPINT	O+	Output terminal for interrupt by IPORT8-14

No.	Name	I/O	Function
154	SEL14	I+	Built-in selector input 4
155	VSS	-	GND
156	SEL13	I+	Built-in selector input 3
157	SEL12	I+	Built-in selector input 2
158	TESTXI	I	Test terminal Must be connected with VSS.
159	TESTXO	O	Test terminal Unconnected.
160	VDD2	-	+2.5V power supply (for internal circuit)

Is: Schmidt trigger input terminal

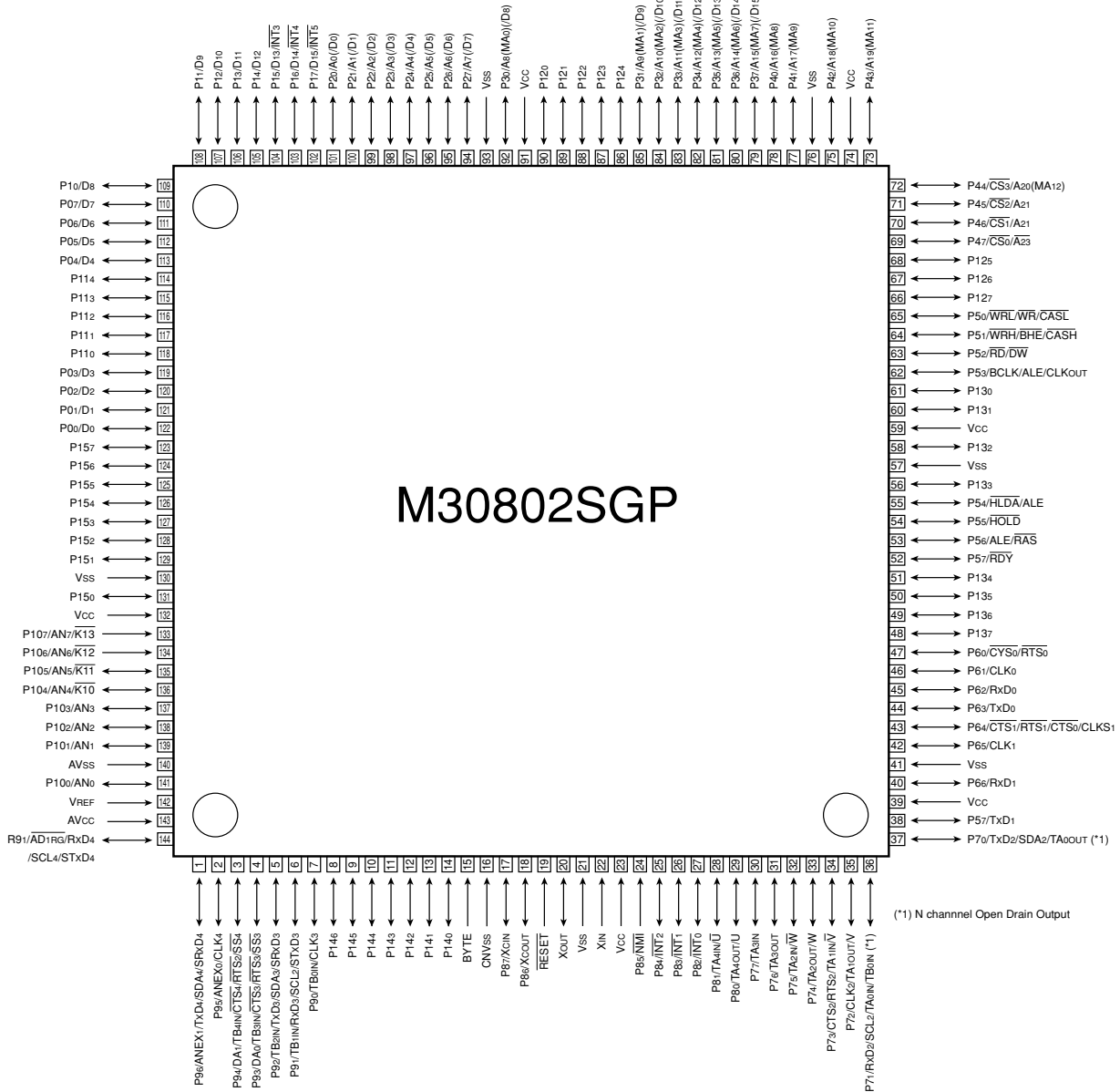
I+: Input terminal with pulled-up resistor

O: Digital output terminal

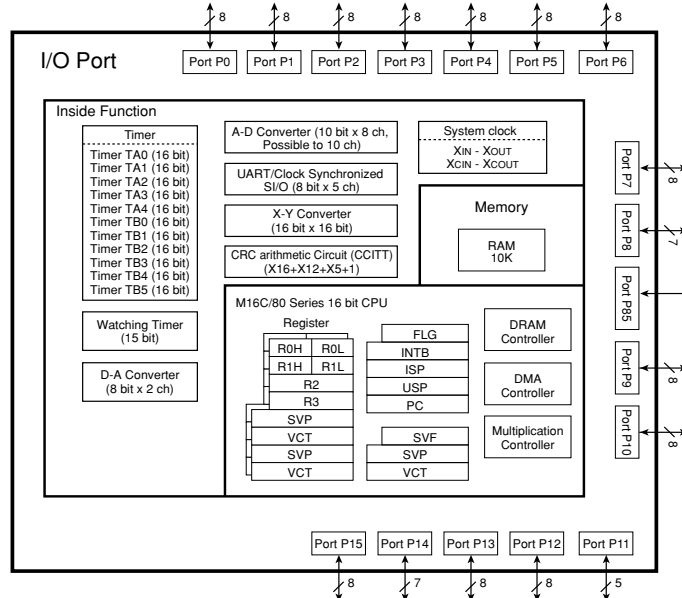
Ot: 3-state digital output terminal

A: Analog terminal

IC526 : M30802SGP
16bit μ -COM (Main CPU)



(*) N channel Open Drain Output



IC526 : M30802SGP

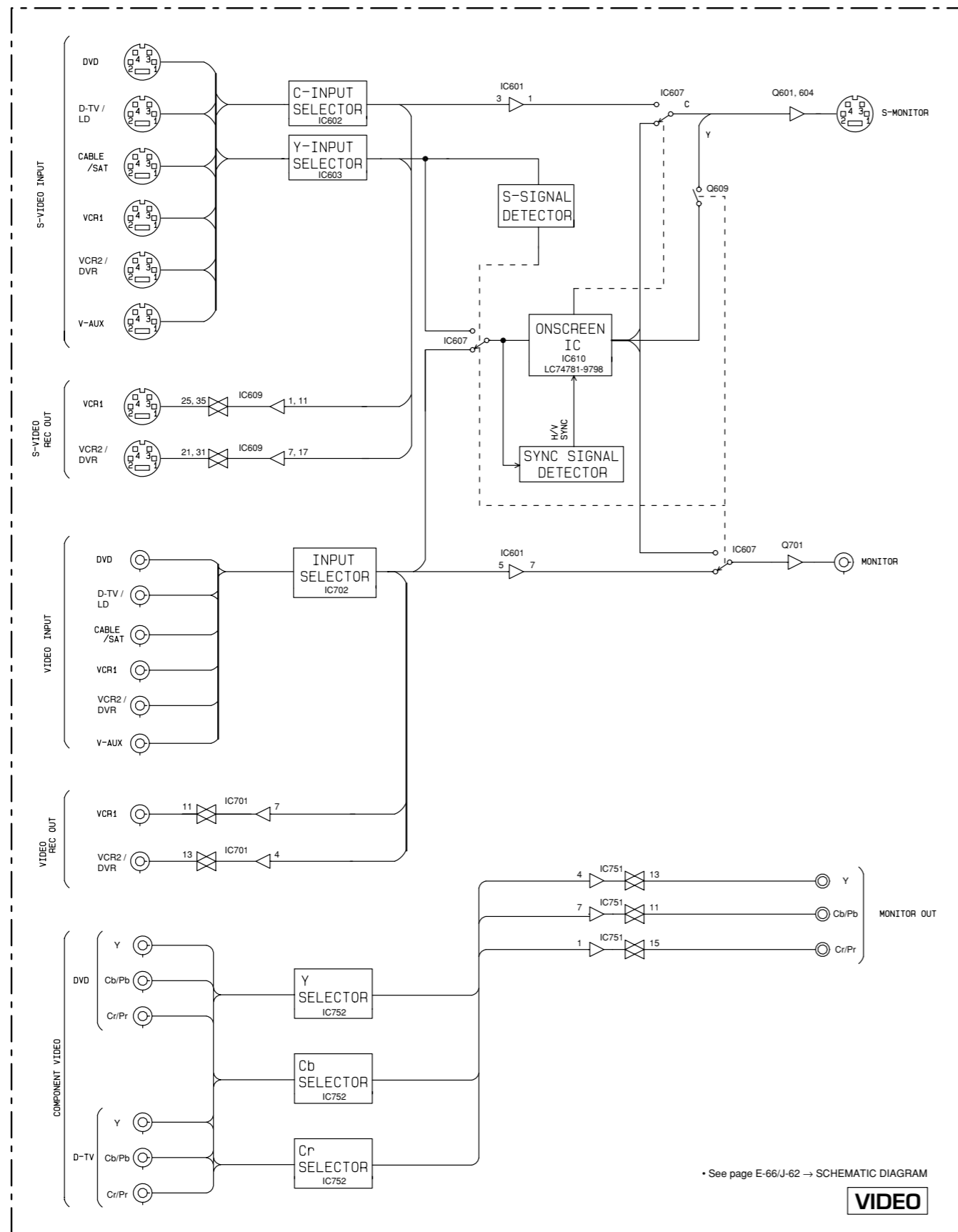
Pin Description

No.	Port No.	Function name	I/O	Detail of function	ON	OFF	BU
1	P96	TXDR	O	232C transmission data / Yokokawa data transmission	O	OL	OL
2	P95	RTS	I/O	232C RTS output / Yokokawa clock input	I/O	OL	OL
3	P94	CTS	I	232C CTS input	I	I	OL
4	P93	FAN	I	Fan control	I	I	OL
5	P92	SDTN	O	None audio serial transmission data (necessary port)	SO	OL	OL
6	P91	RXRDS	I	RDS received / Frequency switch (R version)	SI	I	OL
7	P90	SCKN	SCK	None audio serial clock	SCK	OL	OL
8	P146	E/I	O	Outside / inside synchronized output	O	OL	OL
9	P145	CEBU	O	BU2092CE or ZONE2	O	OL	OL
10	P144	/FLR	O	FL IC reset	O	OL	OL
11	P143	CEM0	O	FL1 enable	O	OL	OL
12	P142	CEM1	O	FL2 enable	O	OL	OL
13	P141	RDSE	O	RDS enable or RDS	O	OL	OL
14	P140	CES	O	Onscreen enable output / N/P format	O	OL	OL
15	BYTE	BYTE	VSS	Vss at 16 bit data	Vss	Vss	Vss
16	CNVss	CNVss	VCC	Vcc at microprocessor mode	Vcc	Vcc	Vcc
17	P87	MODEL	I	Model distinction	I	I	OL
18	P86	BOOT	I	Boot terminal for Yokokawa tool	I	I	OL
19	RESET	RESET	I	Reset	-	-	-
20	XOUT	XOUT	O	Oscillate output	-	-	-
21	VSS	VSS	VSS	Microcomputer ground	-	-	-
22	XIN	XIN	I	Oscillate input	-	-	-
23	VCC	VCC	I	Microcomputer power supply +5V	-	-	-
24	P85	NMI	I	Pullup by Vcc / 232C boot	-	-	-
25	P84	REM1	I	Remote control pulse input and LO edge interrupted	I	I	OL
26	P83	PEW	I	Power switch and HI edge interrupted	I	I	OL
27	P82	PDET	I	Power detect and LO edge interrupted	I	I	I
28	P81	VSY	I	Vertical synchronized detect	I	I	OL
29	P80	/ICD	O	IC YSS928 / DA / AD / CODEC / DEM	O	OL	OL
30	P77	RXDR	I	232C receive data (connect to pin 29)	I	I	OL
31	P76	/DMT	O	Digital full mute	O	OL	OL
32	P75	INT928	I	YSS928 IPINT / MUTE / DIR	I	I	OL
33	P74				O	OL	OL
34	P73	CEP	O	PLL IC enable	O	OL	OL
35	P72	SCKP	O	PLL IC clock	O	OL	OL
36	P71	RDTP	I	PLL IC receive data	I	I	OL
37	P70	SDTP	O	PLL IC transmission data (necessary PU)	O	OL	OL
38	P57	SDM	O	YSS928 transmission data	SO	OL	OL
39	VCC	VCC	VCC	Microcomputer power supply +5V			
40	P66	SDD	I	YSS928 receive data	SI	I	OL
41	VSS	VSS	VSS	Microcomputer ground			
42	P65	SCK	SCK	YSS928 clock	SCK	OL	OL
43	P64	/CSA	O	YSS928 CE	O	OL	OL
44	P63	CEC	O	CS3310 serial transmission data	SO	OL	OL
45	P62	CEC	O	CS3310 enable	O	OL	OL
46	P61	SCKC	SCK	CS3310 serial clock	SCK	OL	OL
47	P60	CSV	O	CS3310 power supply control	O	OL	OL
48	P137	/CSM	O	CS3310 reset	O	OL	OL
49	P136	VRB	I	Volume rotary B	I	I	OL
50	P135	VRA	I	Volume rotary A	I	I	OL
51	P134	PRI	I	Current protection	I	I	I
52	P57						HI
53	P56						HI
54	P55						HI
55	P54						HI
56	P133	/BEC	O	Bus extension control	O	OL	OL
57	VSS	VSS	VSS	Microcomputer ground			
58	P132	/Z2MT	O	Zone 2 mute	O	OL	OL
59	VCC	VCC	VCC	Microcomputer power supply +5V			
60	P131	/HPMT	O	Headphone mute	O	OL	OL
61	P130	/FMTE	O	Full mute FL / FR / MAIN -3dB	O	OL	OL
62	P53						HI
63	P52			OE			HI
64	P51						HI
65	P50			WE			HI
66	P127	/FMTE	O	Full mute SWL / SWR / SW MONO	O	OL	OL
67	P126	/FMTE	O	Full mute CENTER	O	OL	OL
68	P125	/FMTE	O	Full mute MAIN L / R, RL / RC / RR"	O	OL	OL
69	P47						Just before
70	P46						Just before
71	P45						Just before
72	P44						Just before
73	P43						Just before
74	VCC	VCC	VCC	Microcomputer power supply +5V			
75	P42						Just before

No.	Port No.	Function name	I/O	Detail of function	ON	OFF	BU
76	VSS	VSS	VSS	Microcomputer ground			
77	P41						Just before
78	P40						Just before
79	P37						Just before
80	P36						Just before
81	P35						Just before
82	P34						Just before
83	P33						Just before
84	P32						Just before
85	P31						Just before
86	P124	SCKA	O	Clock output for audio IC	O	OL	OL
87	P123	SDTA	O	Data output for audio IC	O	OL	OL
88	P122	CEL	O	Enable output for audio IC of sanyo	O	OL	OL
89	P121	RIMA	O	Power rimitter A	O	OL	OL
90	P120	RIMB	O	Power rimitter B	O	OL	OL
91	VCC	VCC	VCC	Microcomputer power supply +5V			
92	P30						Just before
93	VSS	VSS	VSS	Microcomputer ground			
94	P27						Just before
95	P26						Just before
96	P25						Just before
97	P24						Just before
98	P23						Just before
99	P22						Just before
100	P21						Just before
101	P20						Just before
102	P17						Just before
103	P16						Just before
104	P15						Just before
105	P14						Just before
106	P13						Just before
107	P12						Just before
108	P11						Just before
109	P10						Just before
110	P07						Just before
111	P06						Just before
112	P05						Just before
113	P04						Just before
114	P114	/MLV	O	Main level	O	OL	OL
115	P113	PRY	O	Power relay	O	OL	OL
116	P112	SPE	O	Speaker relay at effect	O	OL	OL
117	P111	SPB	O	Speaker relay at main B	O	OL	OL
118	P110	SPA	O	Speaker relay at main A	O	OL	OL
119	P03						Just before
120	P02						Just before
121	P01						Just before
122	P00						Just before
123	P157	TUN0	I	Tuner step 0	I	I	OL
124	P156	TUN1	I	Tuner step 1	I	I	OL
125	P155	ISA/BSW	I	Program rotary A / BASS EXT switch	I	I	OL
126	P154	ISB/PSW	I	Program rotary B / PR.DIRECT switch	I	I	OL
127	P153	/HP	I	Headphone detect	I	I	OL
128	P152	TMT	O	Tuner mute	O	OL	OL
129	P151	/TUNED	I	Tuner meter	I	I	OL
130	VSS	VSS	VSS	Microcomputer ground			
131	P150	/ST	I	Tuner stereo	I	I	OL
132	VCC	VCC	VCC	Microcomputer power supply +5V			
133	P107	RMV	I	Power rimitter for model distinction	I	I	I
134	P106	REC	I	REC OUT selector	I	I	I
135	P105	PREMT	I	Power rimitter detect	I	I	I
136	P104	ADKEY1	I	Key tact switch 1	I	I	I
137	P103	ADKEY0	I	Key tact switch 0	I	I	I
138	P102	AN2	I	Temperature detect	I	I	I
139	P101	AN1	I	Power amplifier DC protection	I	I	I
140	AVSS	VSS	VSS	AD ground	VSS	VSS	VSS
141	P100	AN0	I	Power supply protection	I	I	I
142	VREF	VREF	VCC	AD reference	VCC	VCC	VCC
143	AVCC	AVCC	VCC	AD power supply	VCC	VCC	VCC
144	P91	RXDR	I	232C receive data / Yokokawa data receive	I	I	OL

Voltage	0.0	0.5	1.0	1.5	2.0	2.5	3.0	3.5	4.0	4.5
KEY0	PRESET ►	PRESET ◀	PRESET/EDIT	FM/AM	MEMORY	TUNING MODE	RDS MODE	EON	PTY SEEK MODE	PTY SEEK START
KEY1	6CH INPUT	INPUT ►	INPUT ◀	INPUT MODE	SPA	SPB	EFFECT	PROGRAM ►	PROGRAM ◀	A/B/C/D/E

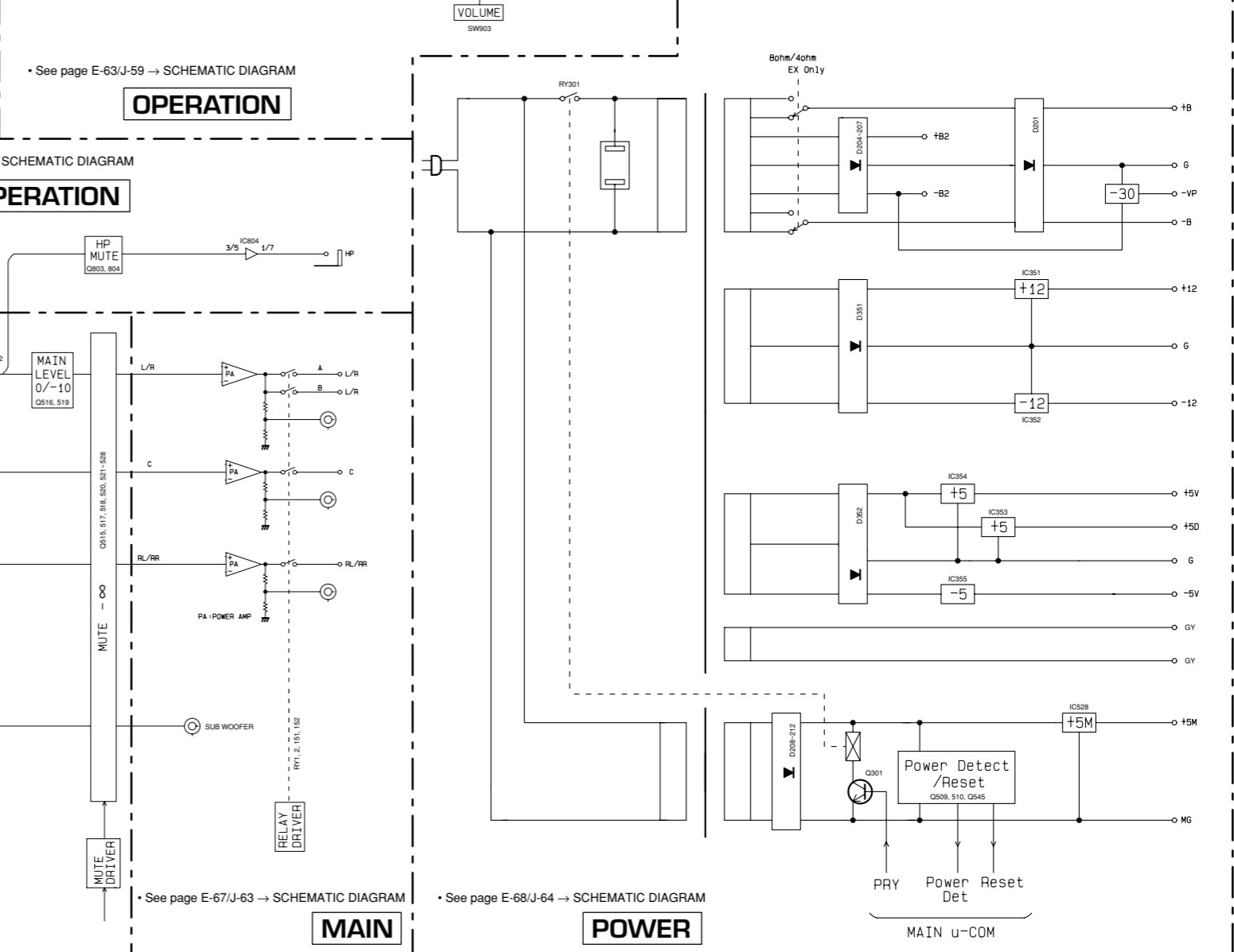
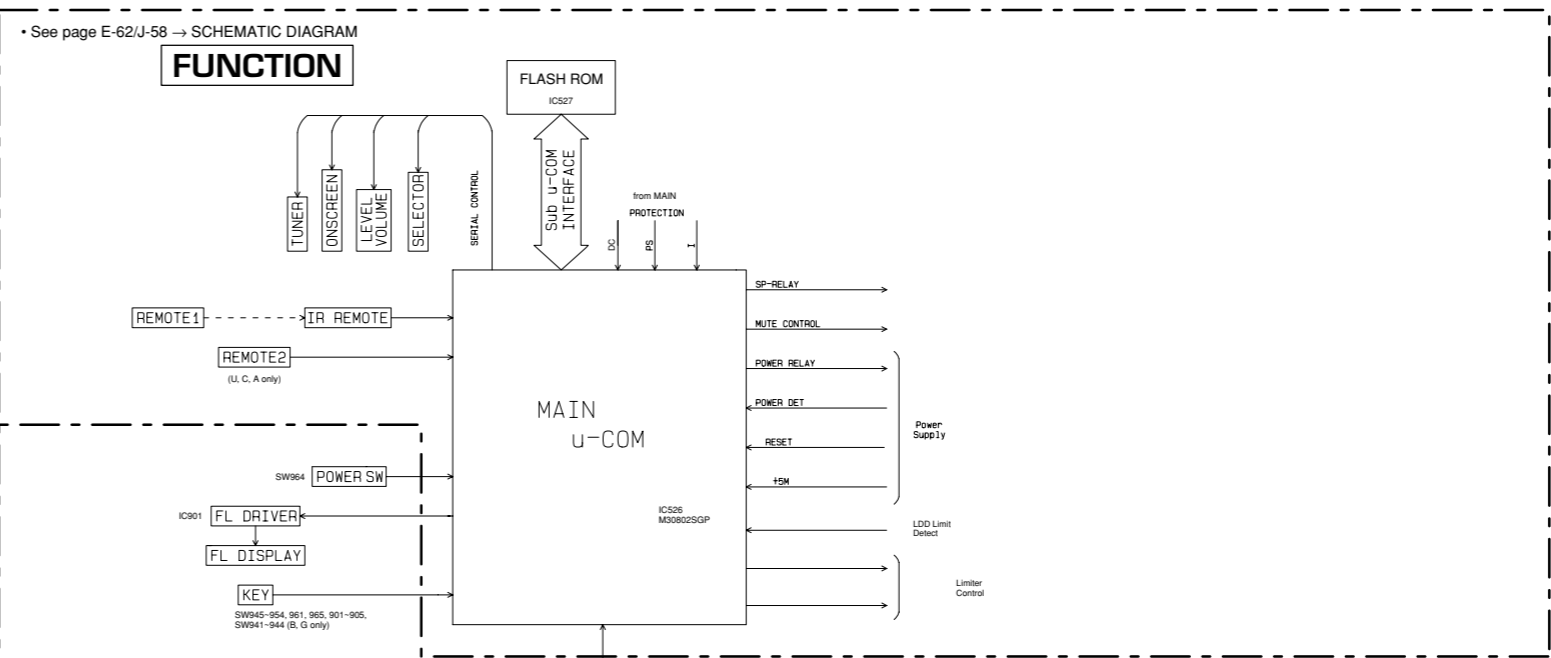
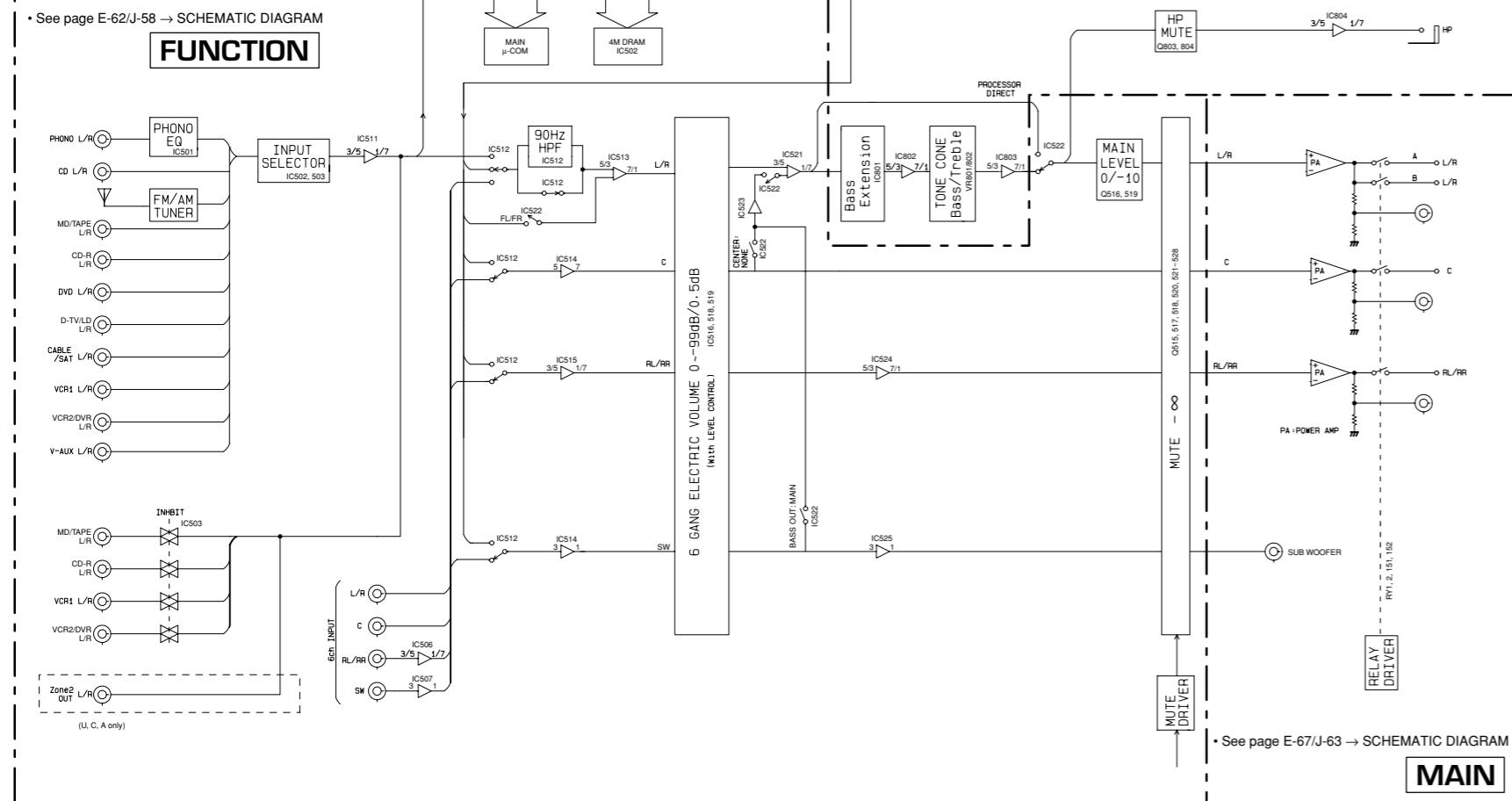
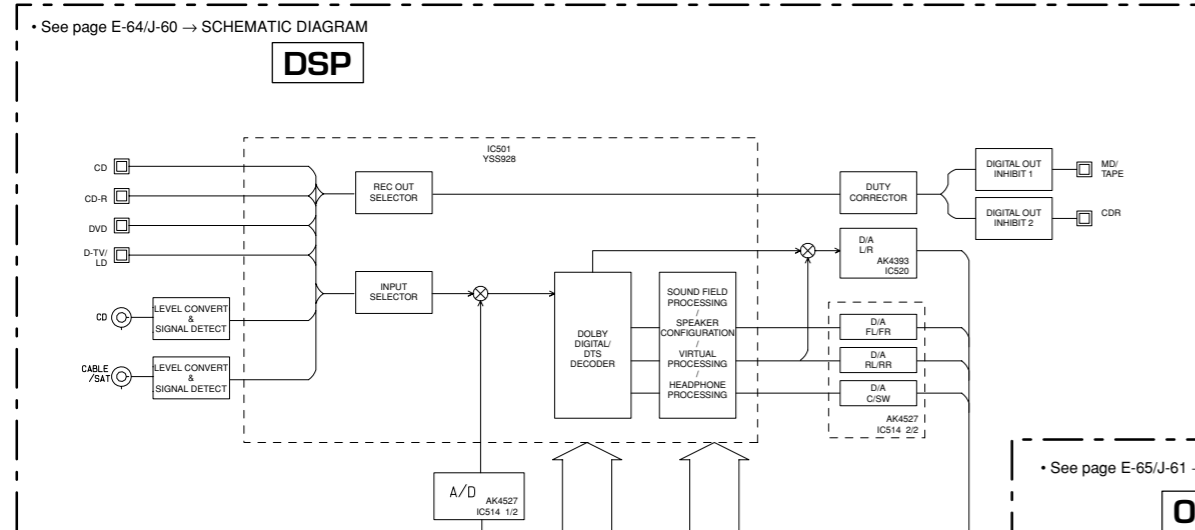
1 ■ BLOCK DIAGRAM (1/2)



• See page E-66/J-62 → SCHEMATIC DIAGRAM

VIDEO

BLOCK DIAGRAM (2/2)

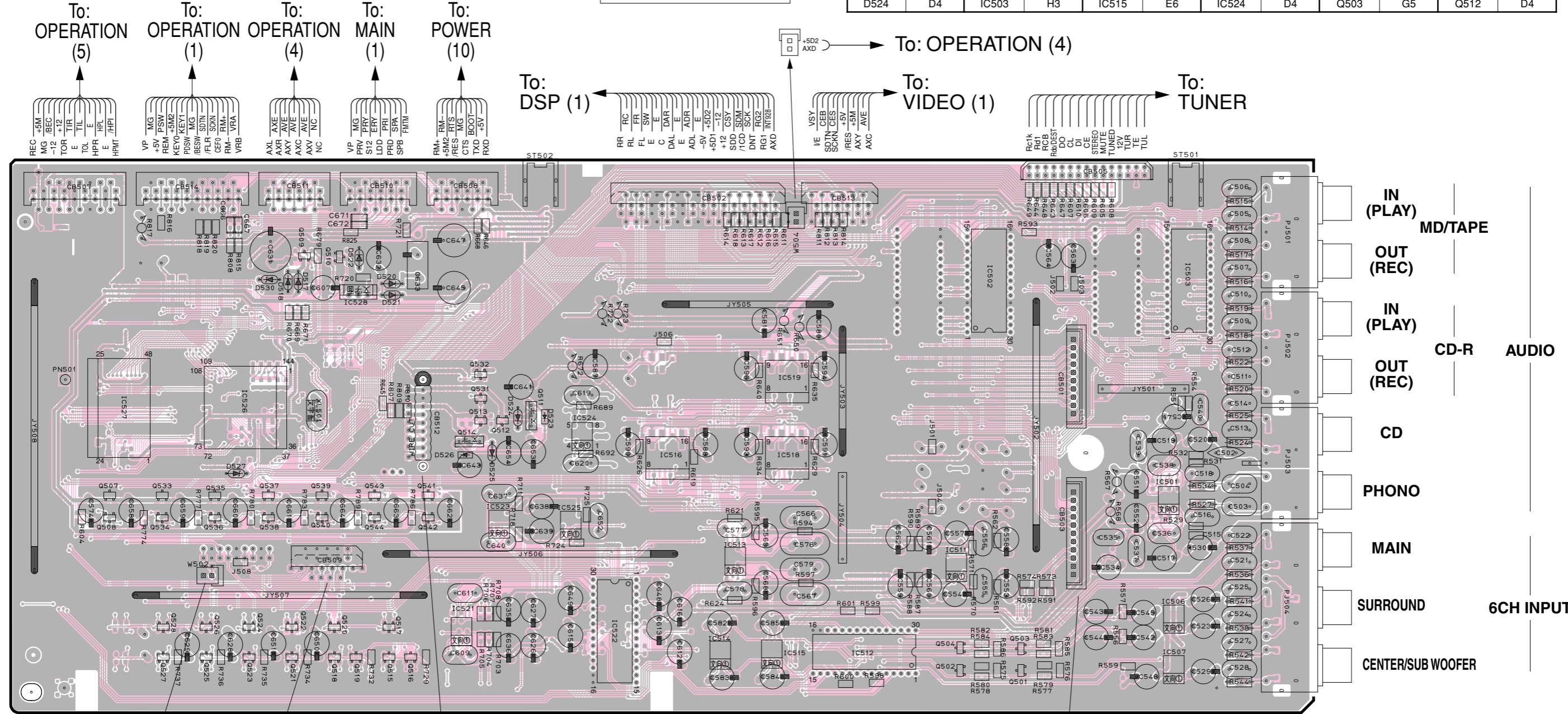


PRINTED CIRCUIT BOARD (Foil side)

Semiconductor Location

Ref. No.	Location	Ref. No.	Location	Ref. No.	Location	Ref. No.	Location	Ref. No.	Location	Ref. No.	Location
D517	B3	D525	D5	IC506	H5	IC516	E4	IC525	D5	Q504	F5
D518	B3	D526	C5	IC507	H6	IC518	E4	IC526	B4	Q507	A5
D520	C4	D527	B5	IC511	F5	IC519	E4	IC527	A4	Q508	A5
D521	C4	D530	B3	IC512	F6	IC521	C6	IC528	C4	Q509	B3
D522	C3	IC501	H5	IC513	E5	IC522	D5	Q501	G6	Q510	C3
D523	D4	IC502	G3	IC514	E6	IC523	D5	Q502	F6	Q511	D4
D524	D4	IC503	H3	IC515	E6	IC524	D4	Q503	G5	Q512	D4

FUNCTION P. C. B.



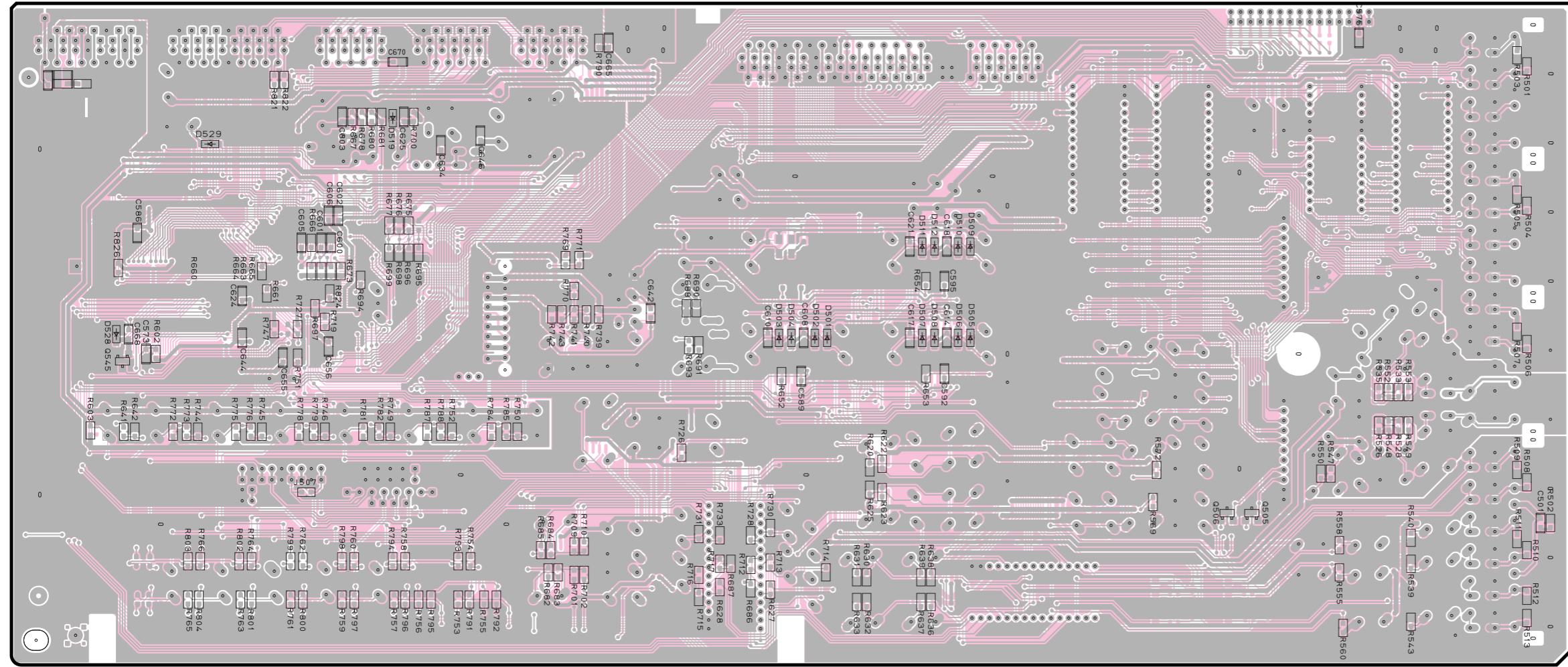
Semiconductor Location

Ref. No.	Location	Ref. No.	Location	Ref. No.	Location	Ref. No.	Location
Q513	C4	Q521	B6	Q531	C4	Q539	C5
Q514	C4	Q522	B5	Q532	C4	Q540	C5
Q515	C6	Q523	B6	Q533	B5	Q541	C5
Q516	C6	Q524	B5	Q534	B5	Q542	C5
Q517	C5	Q525	B6	Q535	B5	Q543	C5
Q518	C6	Q526	B5	Q536	B5	Q544	C5
Q519	C6	Q527	B6	Q537	B5		
Q520	C5	Q528	B5	Q538	B5		

Circuit No.	J	U-C	R-T	A-L	B-G
C503-504	X	X	X	O	O
C574	X	O	X	O	X
C671, 672	X	O	X	X	X
J501-504	X	O	X	O	X
Q507, 508	X	O	X	O	X
R573, 574, 591, 592, R604	X	O	X	O	X
R593	X	X	O	X	X

x: NOT USED
o: USED / APPLICABLE

1 ■ PRINTED CIRCUIT BOARD (Foil side)



Circuit No.	J	U-C	R-T	A-L	B-G
C670	X	O	X	X	X
Q505, 506	X	O	X	O	X
R603, 641, 677	X	O	X	O	X
R673	X	X	O	X	X
R660	O	X	X	O	O
R661	O	O	X	X	X
R675	X	X	X	O	O
R676	X	X	X	X	O
R696	O	O	O	X	X
R698	O	O	O	O	X
R699	O	X	O	X	O

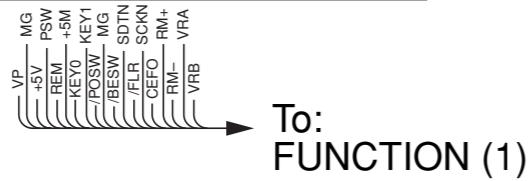
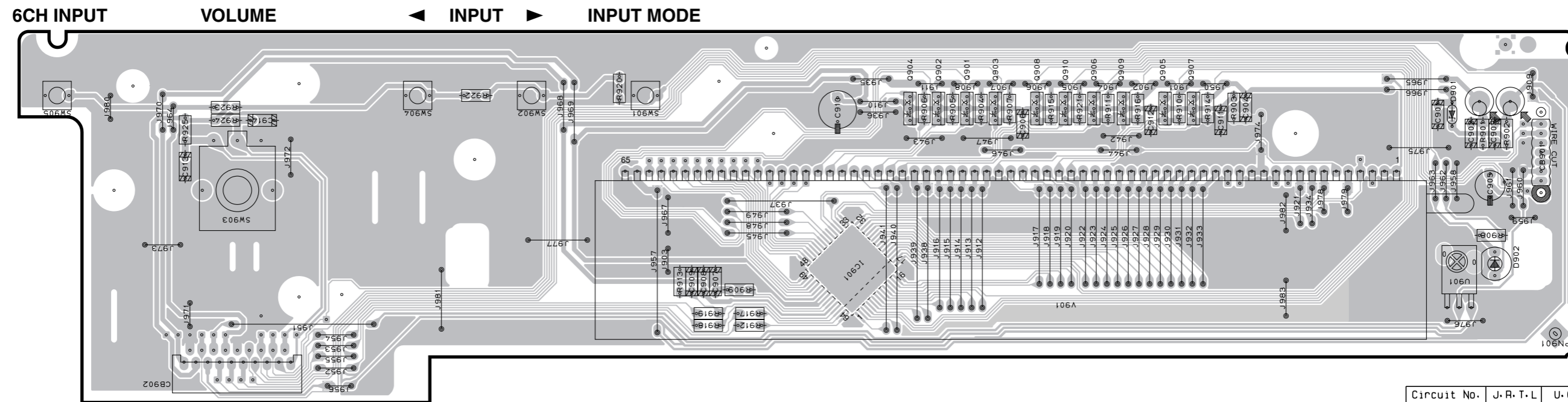
x: NOT USED
O: USED / APPLICABLE

• Semiconductor Location

Ref. No.	Location
D501	E4
D502	E4
D503	E4
D504	E4
D505	F4
D506	F4
D507	E4
D508	E4
D509	F3
D510	F3
D511	E3
D512	E3
D519	C3
D528	A4
D529	B3
Q505	G5
Q506	G5

1 ■ PRINTED CIRCUIT BOARD (Foil side)

OPERATION (1) P. C. B.

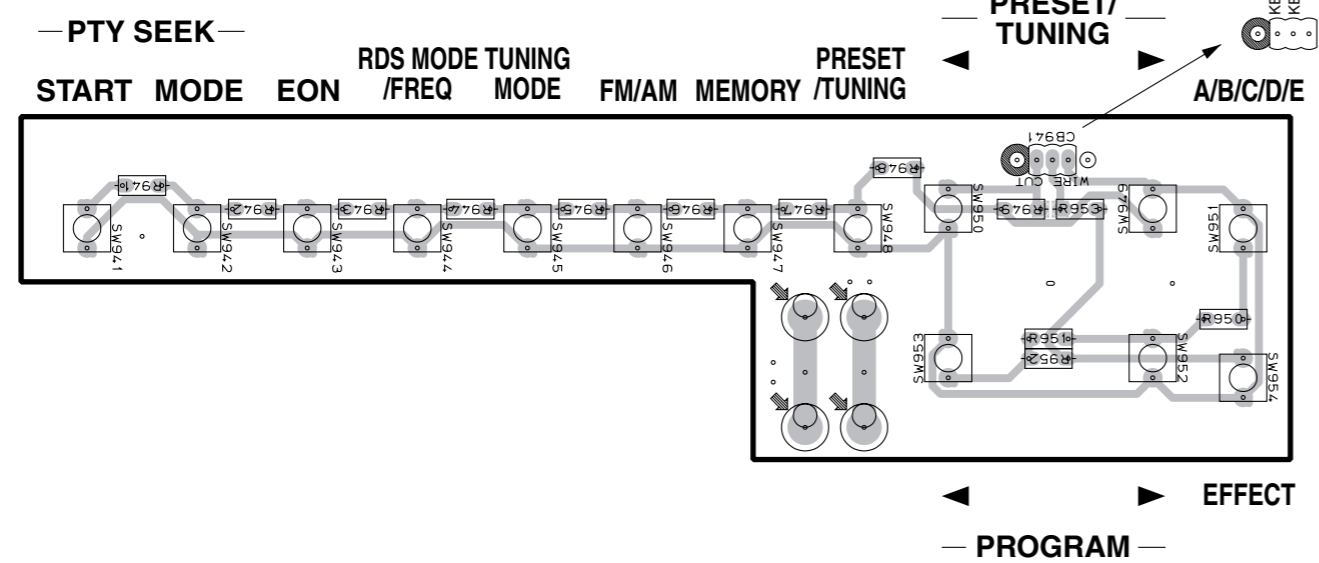


OPERATION (3) P. C. B.

Circuit No.	J. R. T. L.	U. C. A.	B. G.
SW941-944	X	X	O
R941-944	X	X	O
D902	X	O	X
R908	X	O	X

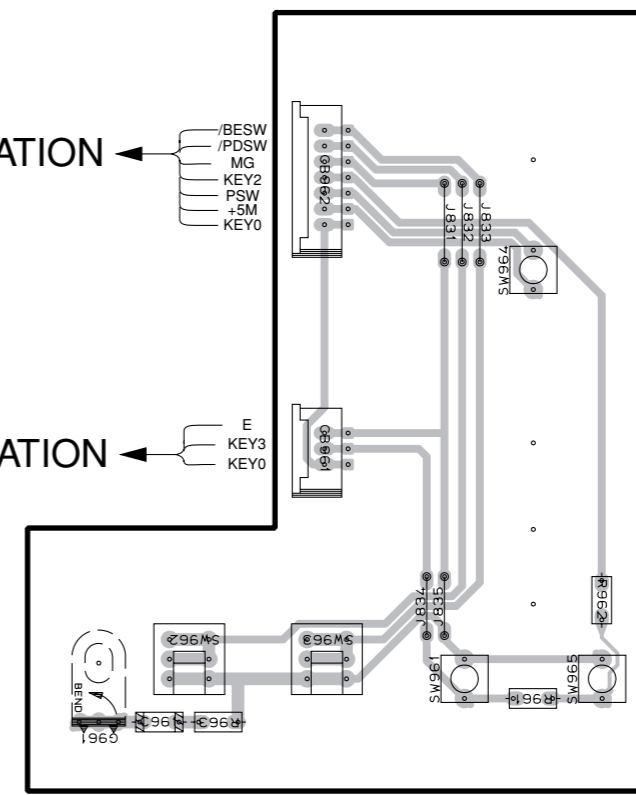
x: NOT USED
O: USED / APPLICABLE

OPERATION (2) P. C. B.



To: OPERATION (1)

To: OPERATION (2)



STANDBY / ON

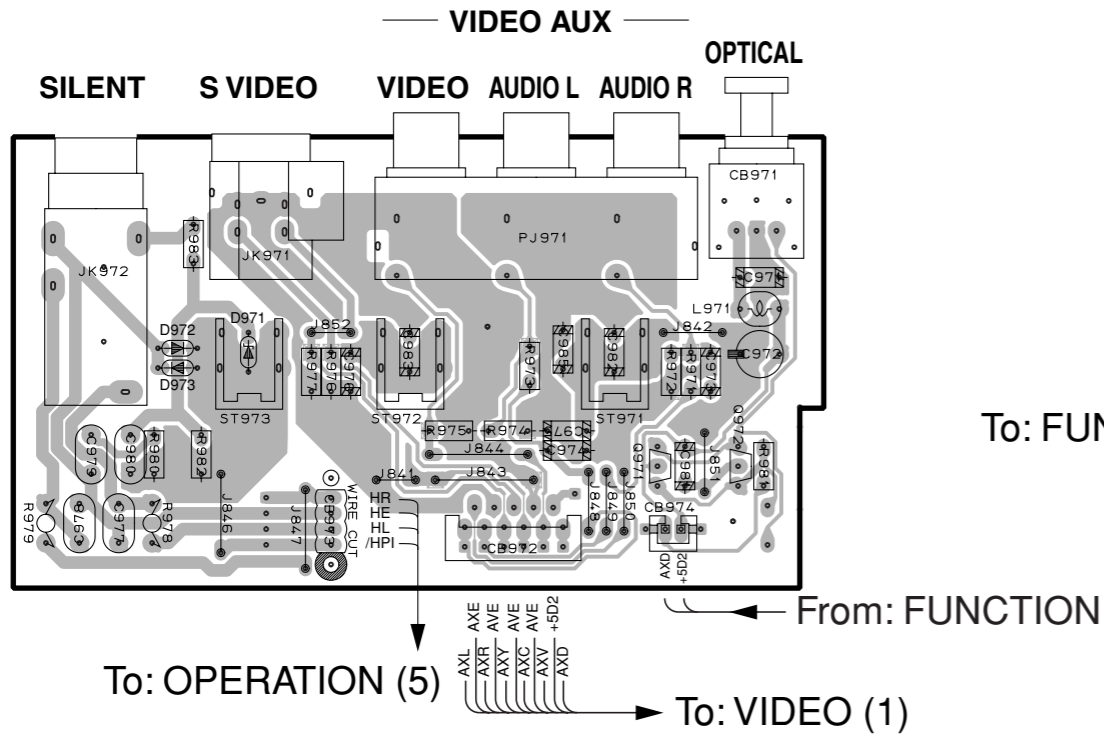
PROCESSOR BASS DIRECT EXTENSION ON/OFF — SPEAKERS —

• Semiconductor Location

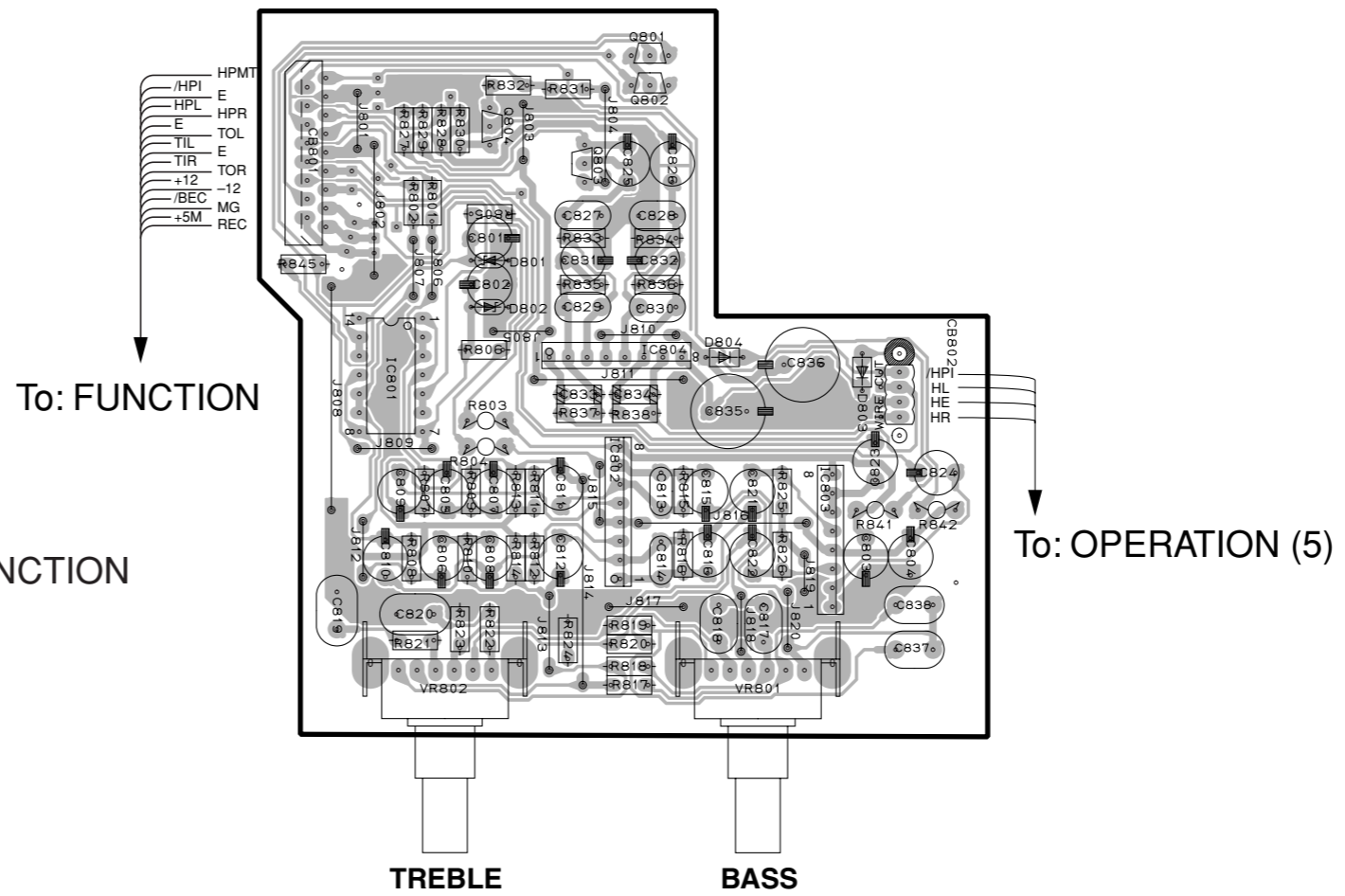
Location	
D901	I2
D902	I3
IC901	E3
Q901	F2
Q902	F2
Q903	F2
Q904	F2
Q905	G2
Q906	G2
Q907	G2
Q908	F2
Q909	G2
Q910	F2

PRINTED CIRCUIT BOARD (Foil side)

OPERATION (4) P. C. B.



OPERATION (5) P. C. B.



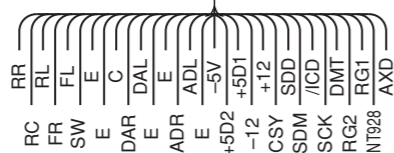
Semiconductor Location

Ref. No.	Location
D801	F3
D802	F3
D803	G3
D804	G3
IC801	F3
IC802	F3
IC803	G4
IC804	F3
Q801	G2
Q802	G2
Q803	F2
Q804	F2
Q971	C3
Q972	D3

1 ■ PRINTED CIRCUIT BOARD (Foil side)

DSP P. C. B.

To: FUNCTION



• Semiconductor Location

Ref. No.	Location
D501	F6
D502	F5
D503	F5
D504	F5
D505	F5
D509	F4
D511	F6
D512	F3
D513	F3
D527	C5
D528	C5
D529	C5
D531	C5
IC501	E5
IC502	E4
IC506	F3
IC509	F6
IC513	D4
IC514	C6
IC520	D4

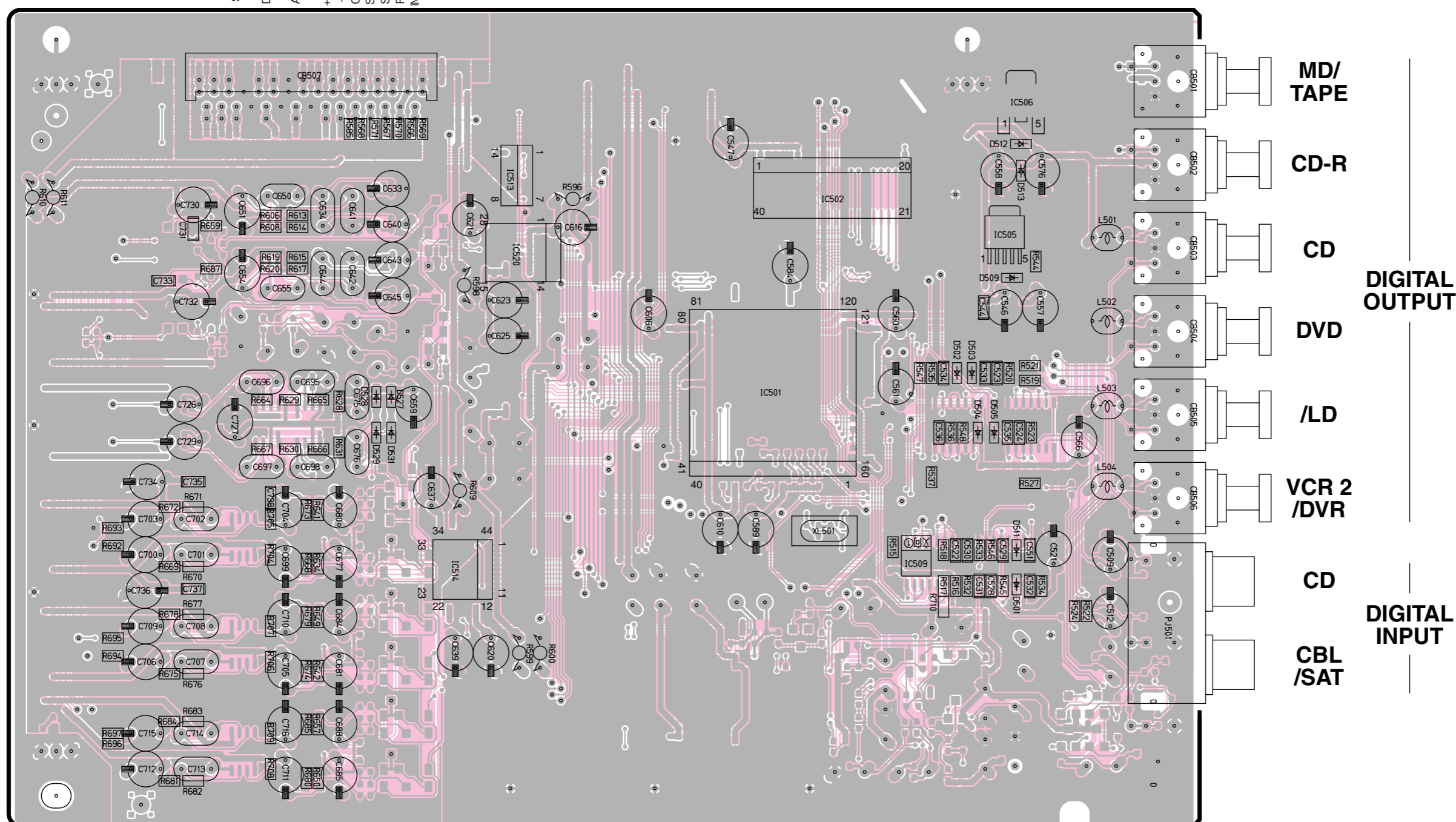
3

4

5

6

7

MD/
TAPE

CD-R

CD

DVD

/LD

VCR 2
/DVR

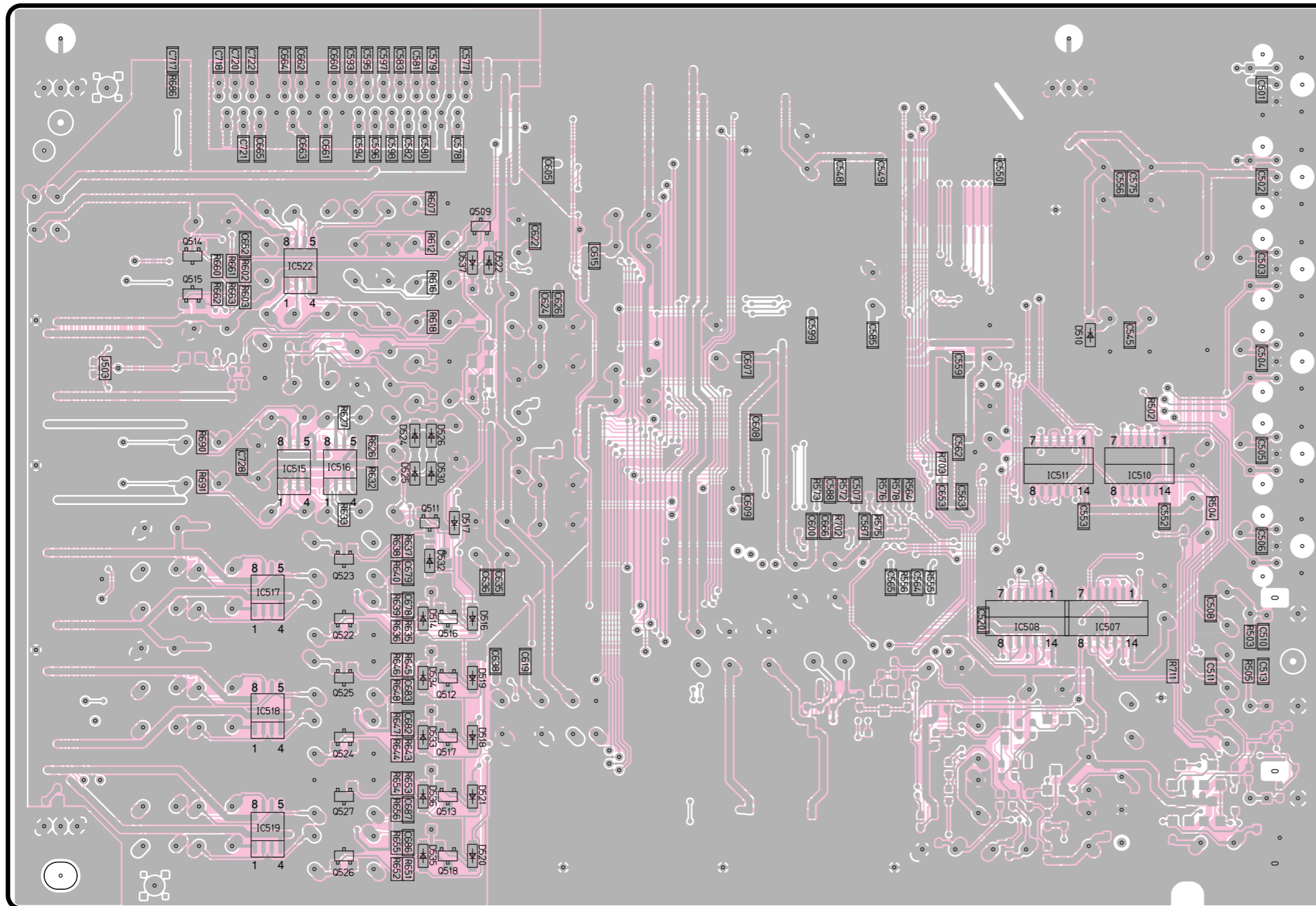
CD

CBL
/SATDIGITAL
OUTPUTDIGITAL
INPUT

1 ■ PRINTED CIRCUIT BOARD (Foil side)

• Semiconductor Location

Ref. No.	Location
D509	C4
D510	F4
D514	C6
D516	C6
D517	C5
D518	C6
D519	C6
D521	C7
D522	C4
D524	C5
D525	C5
D526	C5
D530	C5
D532	C5
D533	C6
D534	C6
D535	C7
D536	C7
D537	C4
IC507	F6
IC508	F6
IC510	F5
IC511	F5
IC515	B5
IC516	B5
IC517	B5
IC518	B6
IC519	B7
IC522	B4
Q511	C5
Q512	C6
Q513	C7
Q514	B4
Q515	B4
Q516	C6
Q517	C6
Q518	C7
Q522	B6
Q523	B5
Q524	B6
Q525	B6
Q526	B7
Q527	B7



1 ■ PRINTED CIRCUIT BOARD (Foil side)

VIDEO (1) P. C. B.

From: MAIN (1)

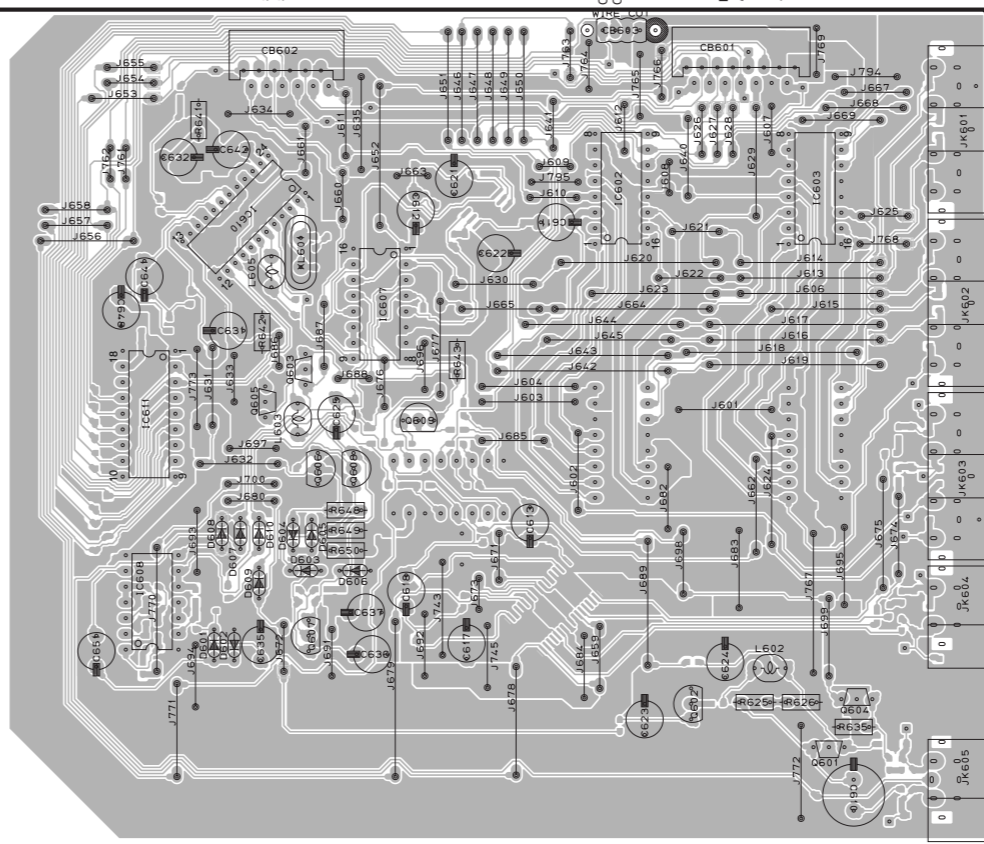
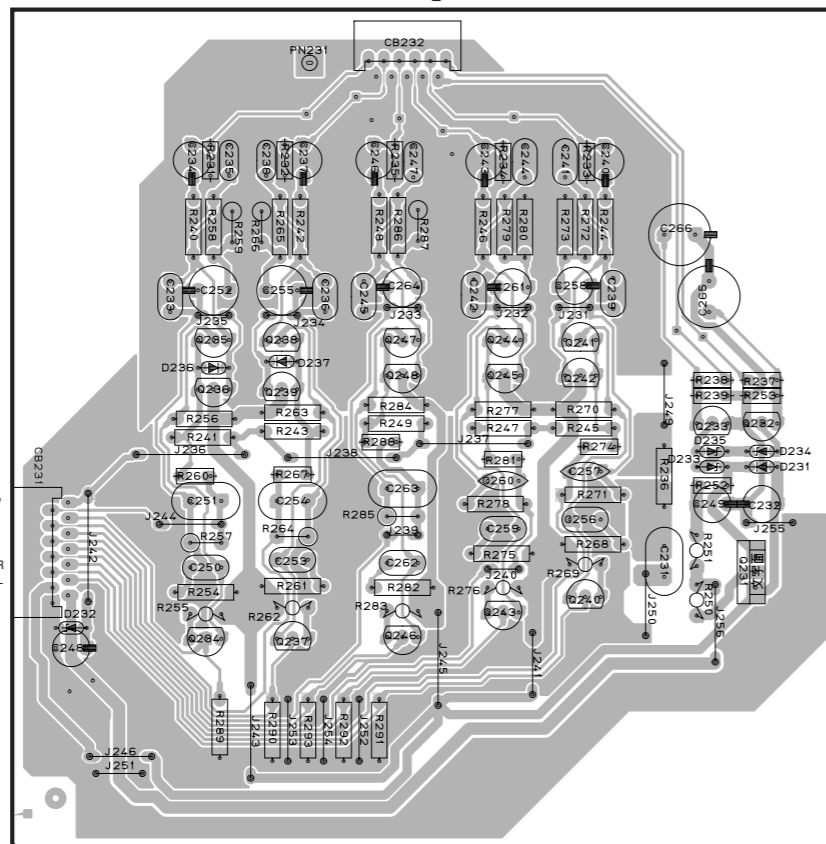
To: FUNCTION

To: VIDEO (3)

To: VIDEO (2)

• Semiconductor Location

Ref. No.	Location
D231	D3
D233	D3
D234	D3
D235	D3
D601	E4
D602	E4
D603	E3
D604	E3
D605	E3
D606	F3
D607	E3
D608	E3
D609	E3
D610	E3
IC601	F5
IC602	F2
IC603	G2
IC607	F2
IC608	E3
IC609	F6
IC610	E2
IC611	E3
Q231	D3
Q232	D3
Q233	D3
Q237	C4
Q238	C3
Q240	C3
Q241	C3
Q242	C3
Q243	C3
Q244	C3
Q245	C3
Q246	C4
Q247	C3
Q248	C3
Q265	B3
Q284	B4
Q286	B3
Q288	C3
Q601	G4
Q602	G4
Q604	G4
Q606	E3
Q608	F3
Q609	F3



DVD
D-TV /LD
CBL /SAT
IN
OUT
IN
OUT
MONITOR OUT

VCR 1
S VIDEO
VCR 2 /DVR

From: MAIN (1)

2

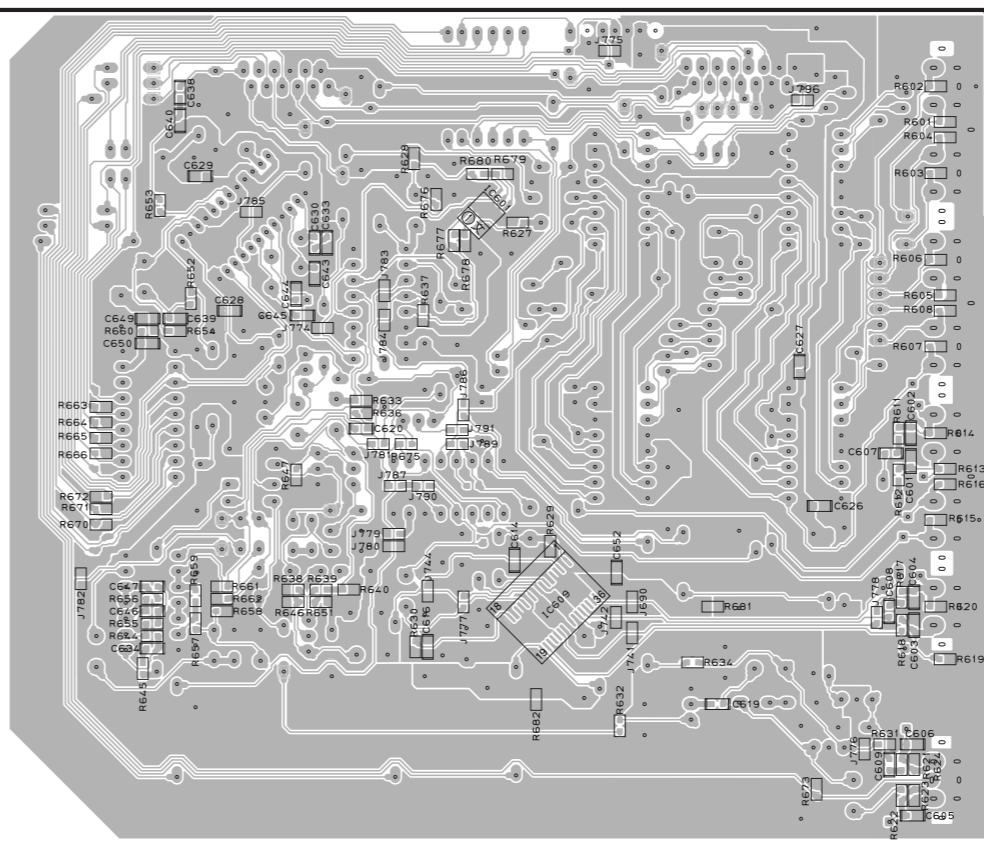
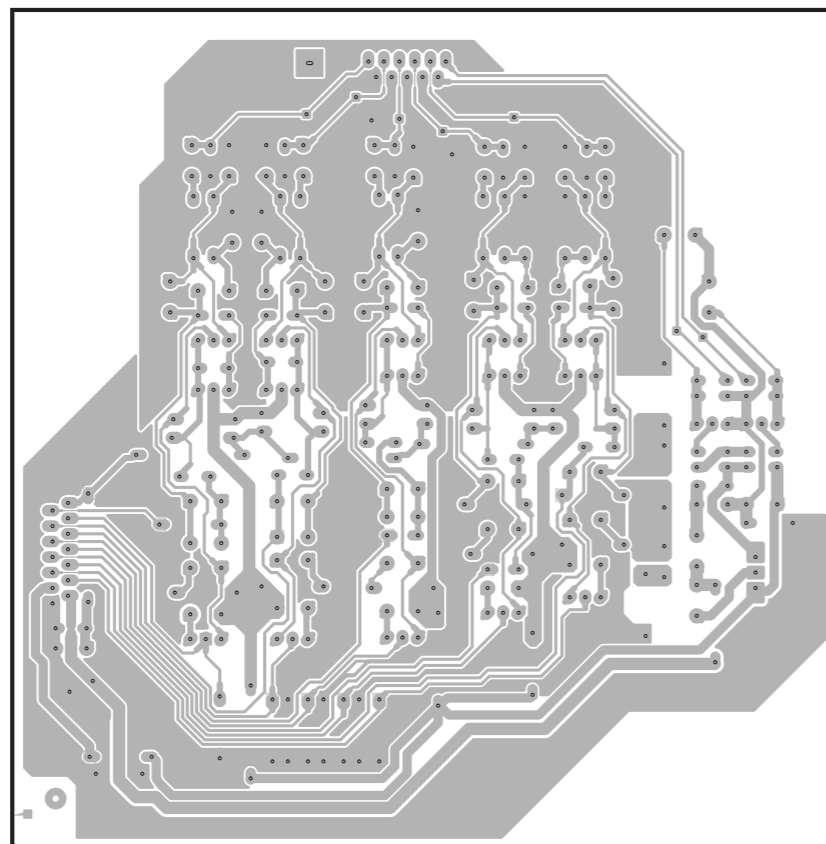
3

4

5

6

7

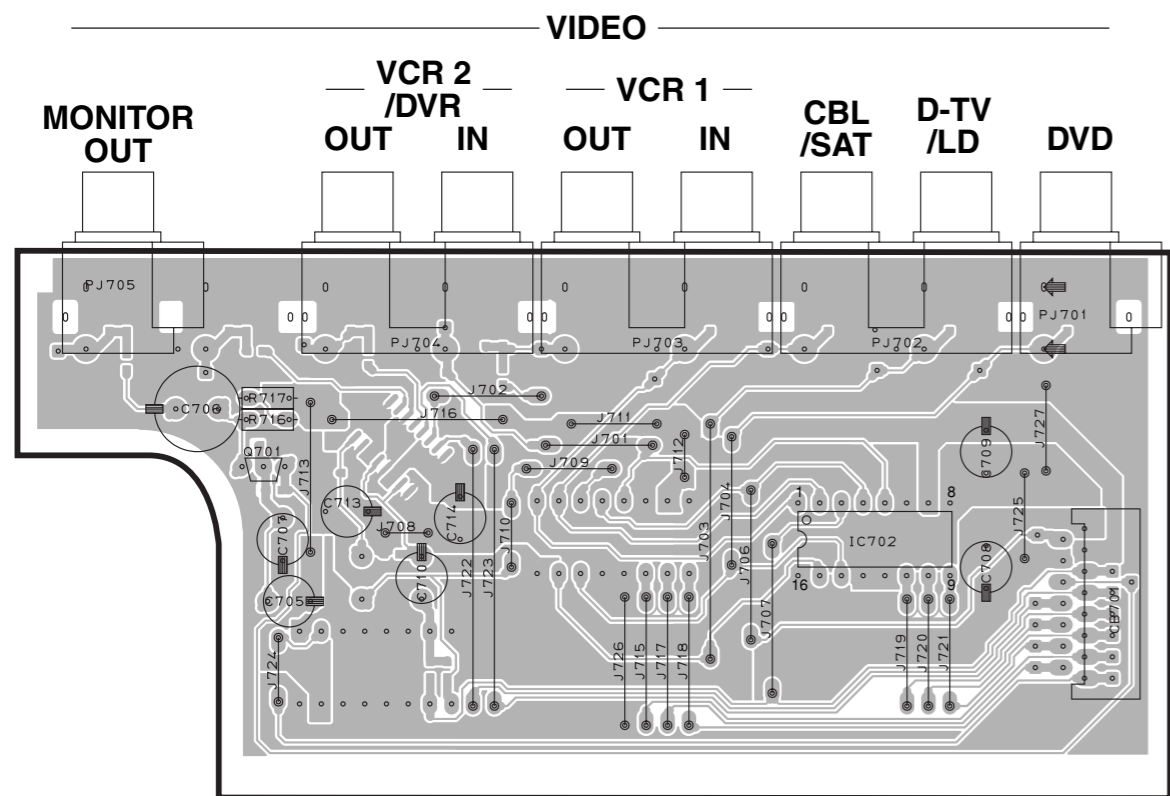


Parts Number	J	U, C, R, T, A, B, G, L
D235	X	O
Q233	X	O
R238, 239	X	O
C266	X	O

x: NOT USED
O: USED / APPLICABLE

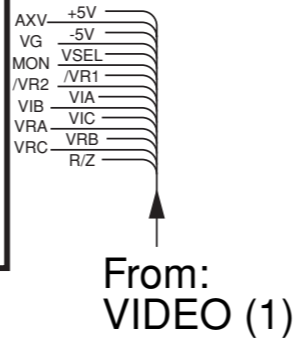
PRINTED CIRCUIT BOARD (Foil side)

VIDEO (2) P. C. B.



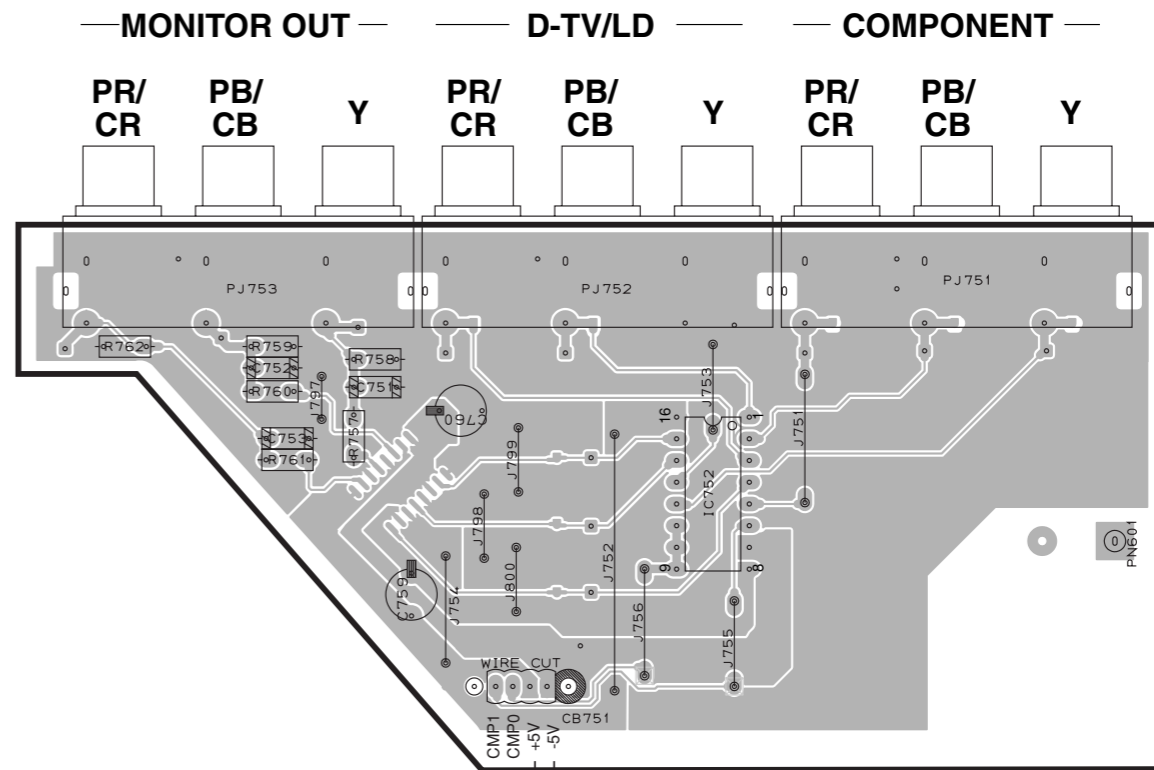
• Semiconductor Location

Ref. No.	Location
IC701	B6
IC702	D3
IC751	G6
IC752	H3
Q701	B3

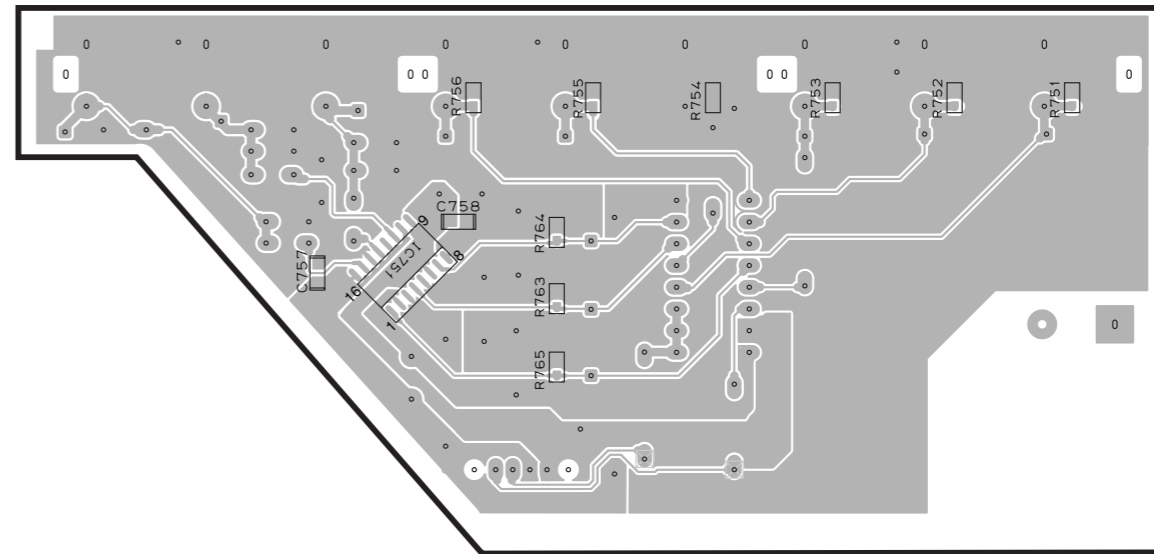
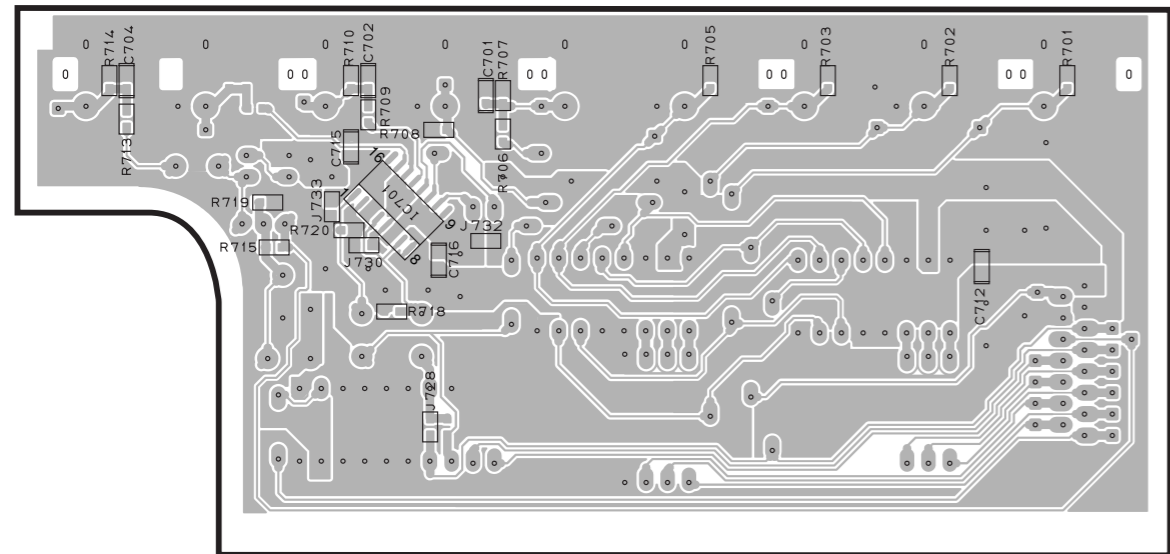


From:
VIDEO (1)

VIDEO (3) P. C. B.



From: VIDEO (1)



1 ■ PRINTED CIRCUIT BOARD (Foil side)

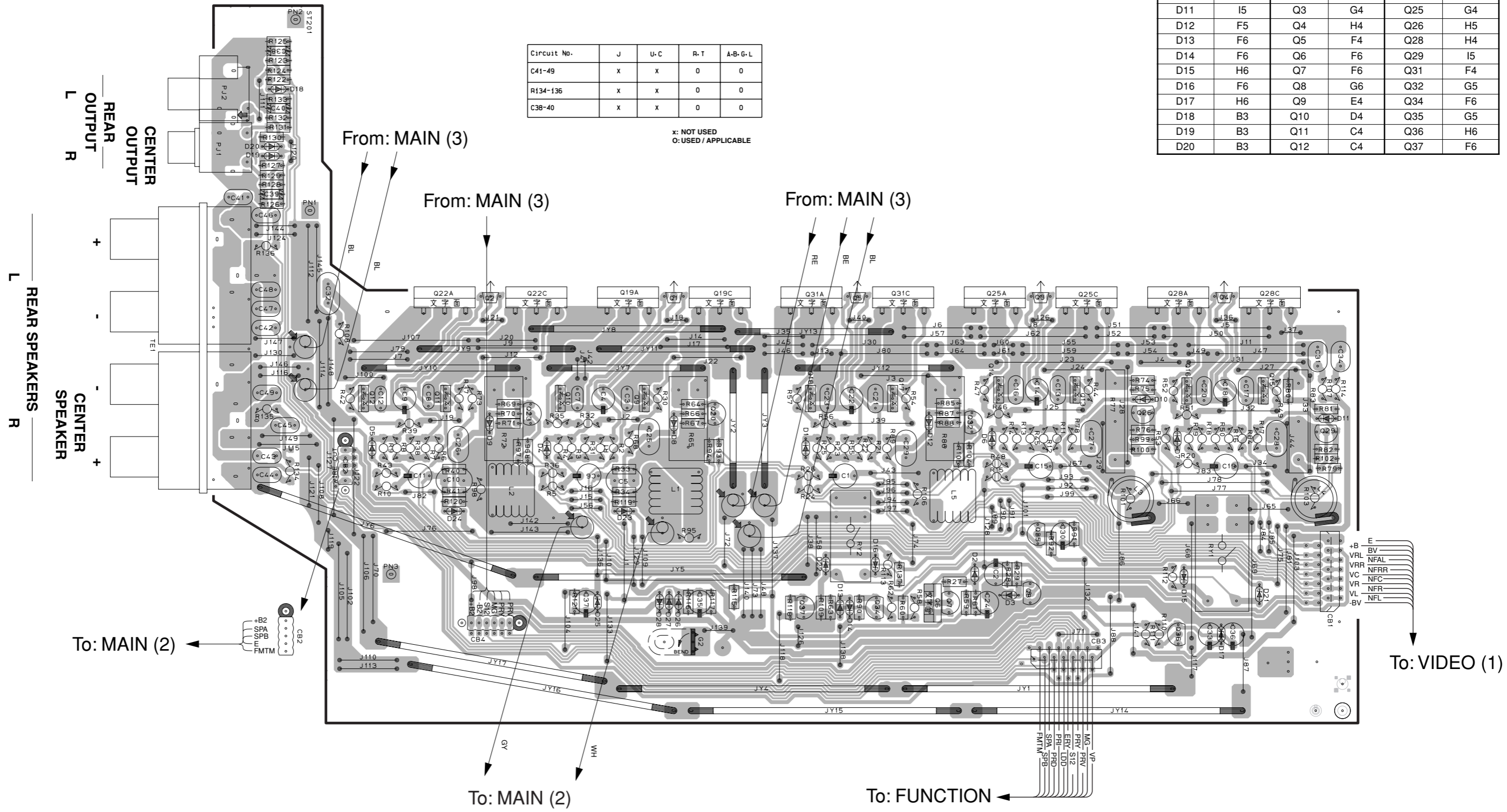
• Semiconductor Location

Ref. No.	Location	Ref. No.	Location	Ref. No.	Location
D1	F5	D21	I6	Q13	G4
D2	G6	D22	F5	Q14	G4
D3	G6	D23	E5	Q15	H4
D4	D5	D24	C5	Q16	H4
D5	C5	D25	D6	Q17	F4
D6	G5	D26	E6	Q18	F4
D7	H5	D27	E6	Q19	E4
D8	E5	D28	E6	Q20	E5
D9	D5	Q1	E4	Q22	D4
D10	H5	Q2	D4	Q23	D5
D11	I5	Q3	G4	Q25	G4
D12	F5	Q4	H4	Q26	H5
D13	F6	Q5	F4	Q28	H4
D14	F6	Q6	F6	Q29	I5
D15	H6	Q7	F6	Q31	F4
D16	F6	Q8	G6	Q32	G5
D17	H6	Q9	E4	Q34	F6
D18	B3	Q10	D4	Q35	G5
D19	B3	Q11	C4	Q36	H6
D20	B3	Q12	C4	Q37	F6

MAIN (1) P. C. B.

Circuit No.	J	U-C	R-T	A-B-G-L
C41-49	X	X	0	0
R134-136	X	X	0	0
C38-40	X	X	0	0

X: NOT USED
O: USED / APPLICABLE



REAR OUTPUT L R

CENTER OUTPUT

REAR SPEAKERS L R

CENTER SPEAKER

To: MAIN (2)

To: MAIN (2)

To: FUNCTION

To: VIDEO (1)

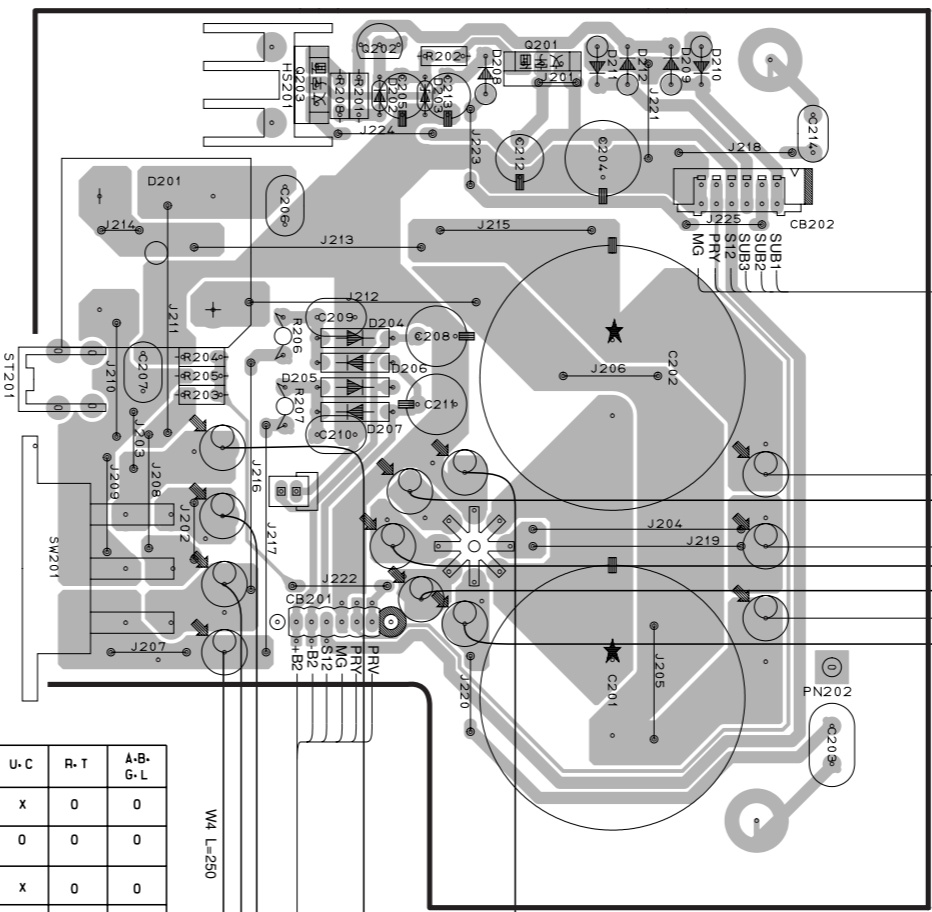
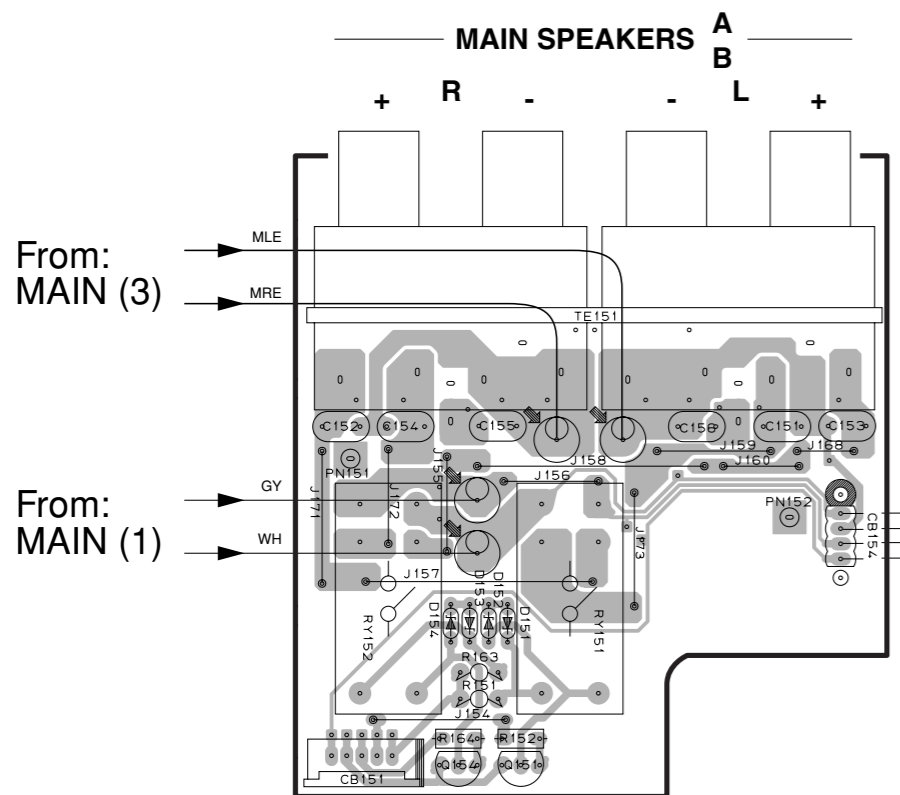
PRINTED CIRCUIT BOARD (Foil side)

• Semiconductor Location

Ref. No.	Location
D151	B4
D152	B4
D153	B4
D154	B4
D204	F3
D205	F3
D206	F3
D207	F3
Q151	B4
Q154	B4
Q156	C7
Q158	C7
Q201	G2
Q203	F2

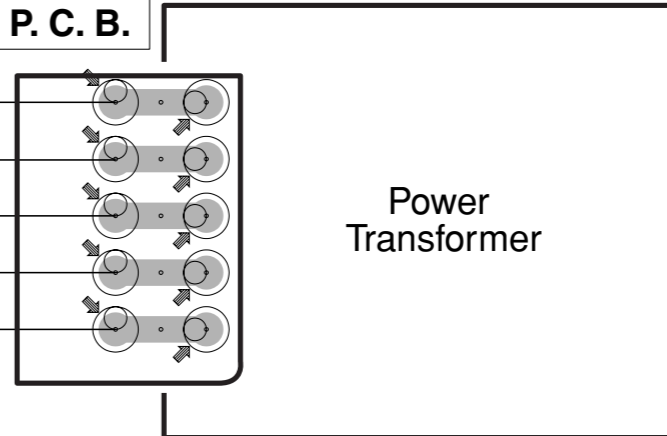
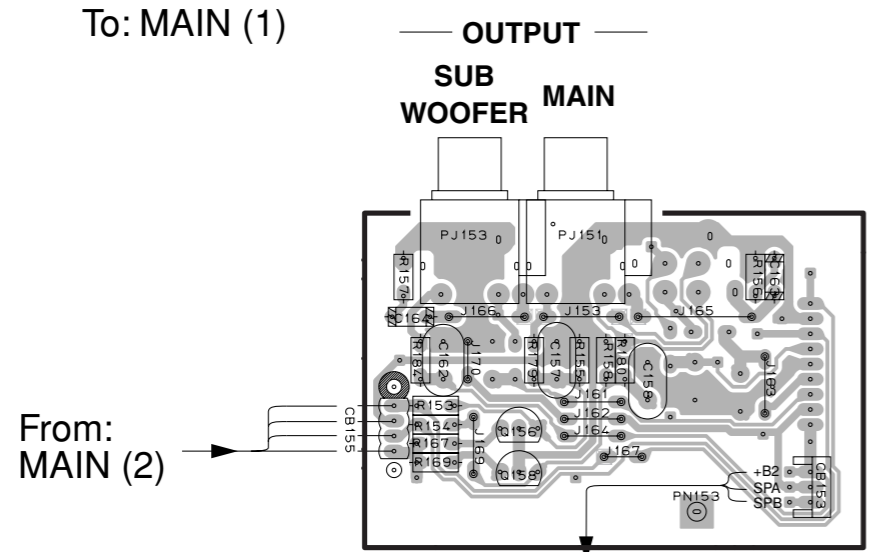
MAIN (2) P. C. B.

MAIN (3) P. C. B.



MAIN (5) P. C. B.

MAIN (4) P. C. B.



Circuit No.	J	U-C	R-T	A-B-G-L
C151-154	X	X	0	0
SW201	X	0	0	0
C155-156	X	X	0	0
J202-203	0	X	X	X
J201	0	0	X	0
Q201-203	X	X	0	X
R202-208	X	X	0	X
R201	X	X	0	X
D202	X	X	0	X
C205	X	X	0	X
C212	X	X	0	X
Q202	X	X	0	X
D203	X	X	0	X
C213	X	X	0	X
D208	X	X	0	X

X: NOT USED
O: USED / APPLICABLE

1 ■ PRINTED CIRCUIT BOARD (Foil side)

• Semiconductor Location

Ref. No.	Location
D301	C3
D351	F5
D352	F5

POWER (1) P. C. B.

POWER (3) P. C. B.

From: AC power cord
From: POWER (2) BR
From: POWER (2) GY

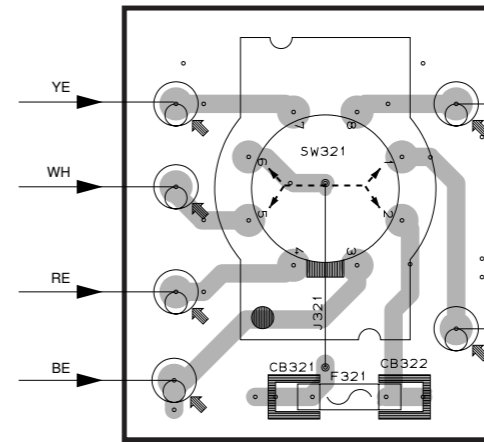
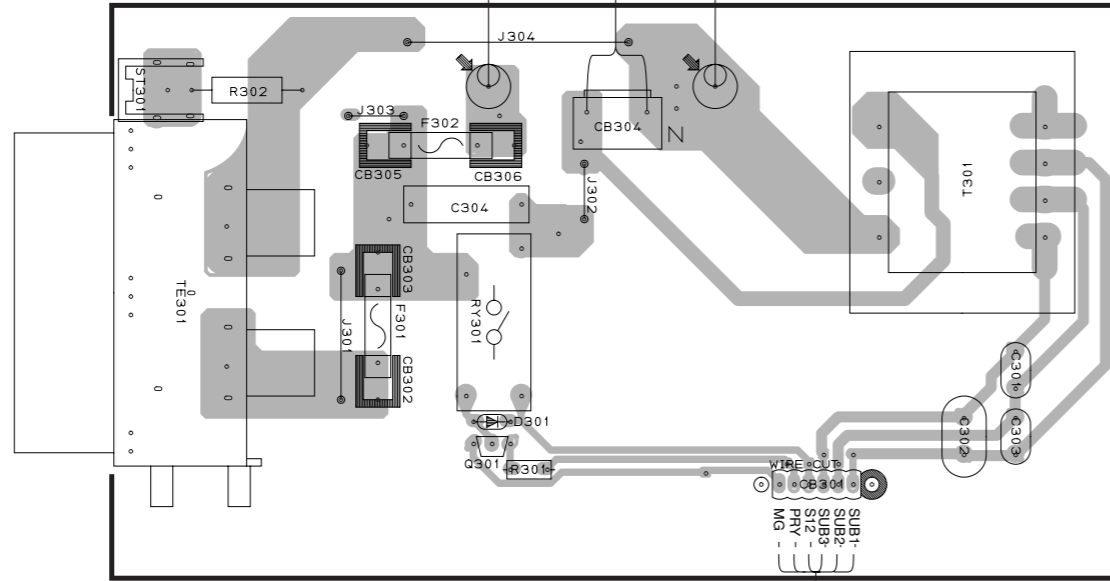
From: POWER (2)

From: POWER (2) BR

VOLTAGE SELECTOR

240V	1-2/5-6
220V	2-3/6-7
110V	3-4/7-8
120V	4-5/8-1

From: POWER (2) OR



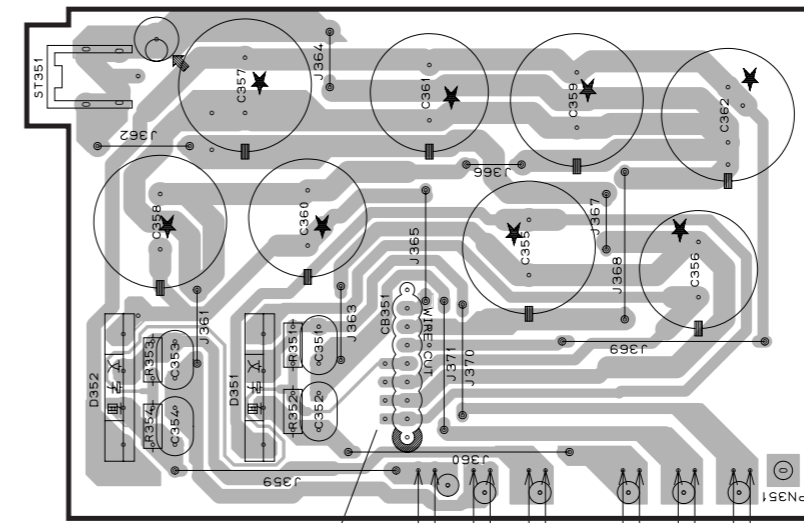
AC OUTLETS

To: MAIN (3)

POWER (4) P. C. B.

To: POWER (1)

To: POWER (3)



From: POWER (5)

To: POWER (6)

POWER (2) P. C. B.

Power Transformer

POWER (5) P. C. B.

To: POWER (4)

	J	U-C	R-T	A-B	G-L
J301	0	0	0	0	X
CB302-303	X	X	X	X	0
F301	X	X	X	X	0
W323	X	X	0	X	X
W321	X	X	0	X	X
W325	X	X	0	X	X
W322	X	X	0	X	X
W324	X	X	0	X	X
W326	X	X	0	X	X
SW321	X	X	0	X	X
CB321-322	X	X	0	X	X
F321	X	X	0	X	X
R302	X	0	X	X	X
C301-303	X	X	0	X	X
C302	0	0	X	0	0

x: NOT USED
o: USED / APPLICABLE

5

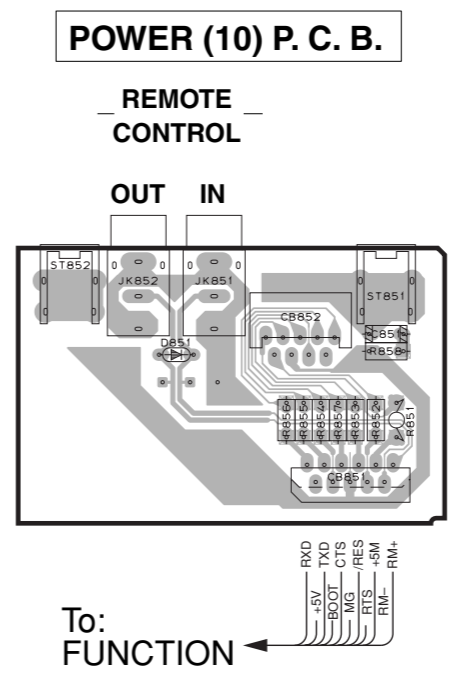
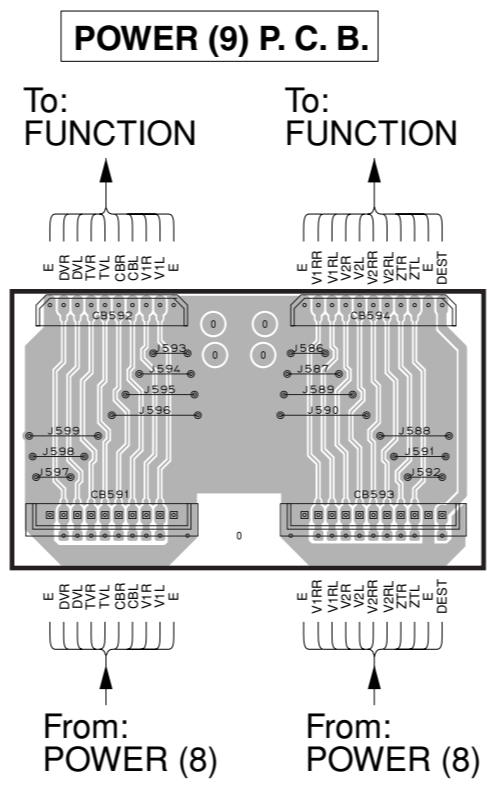
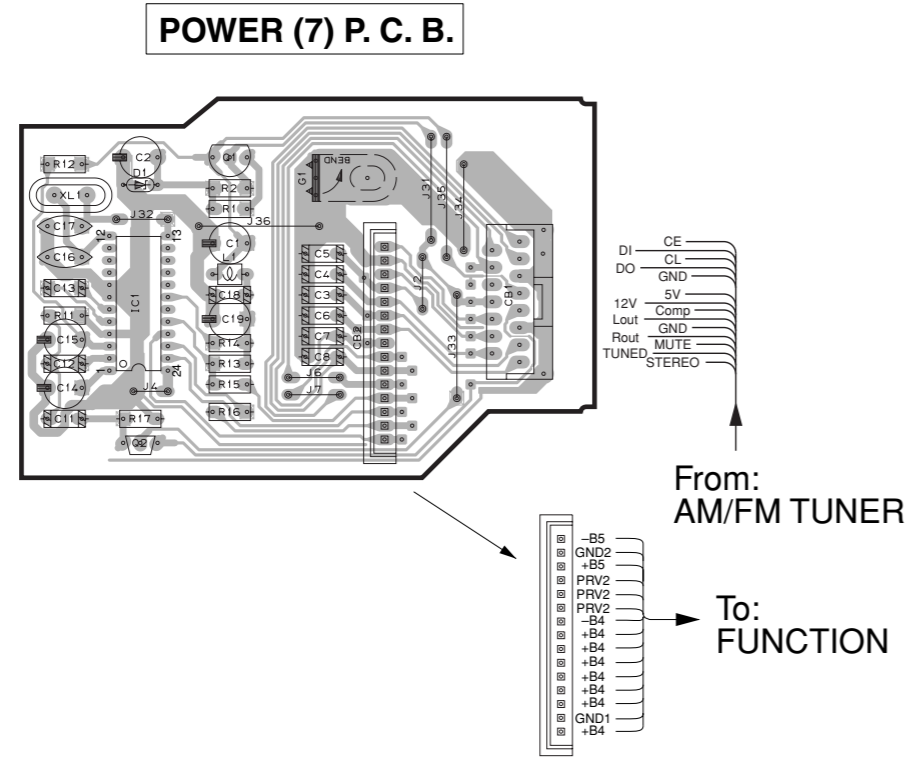
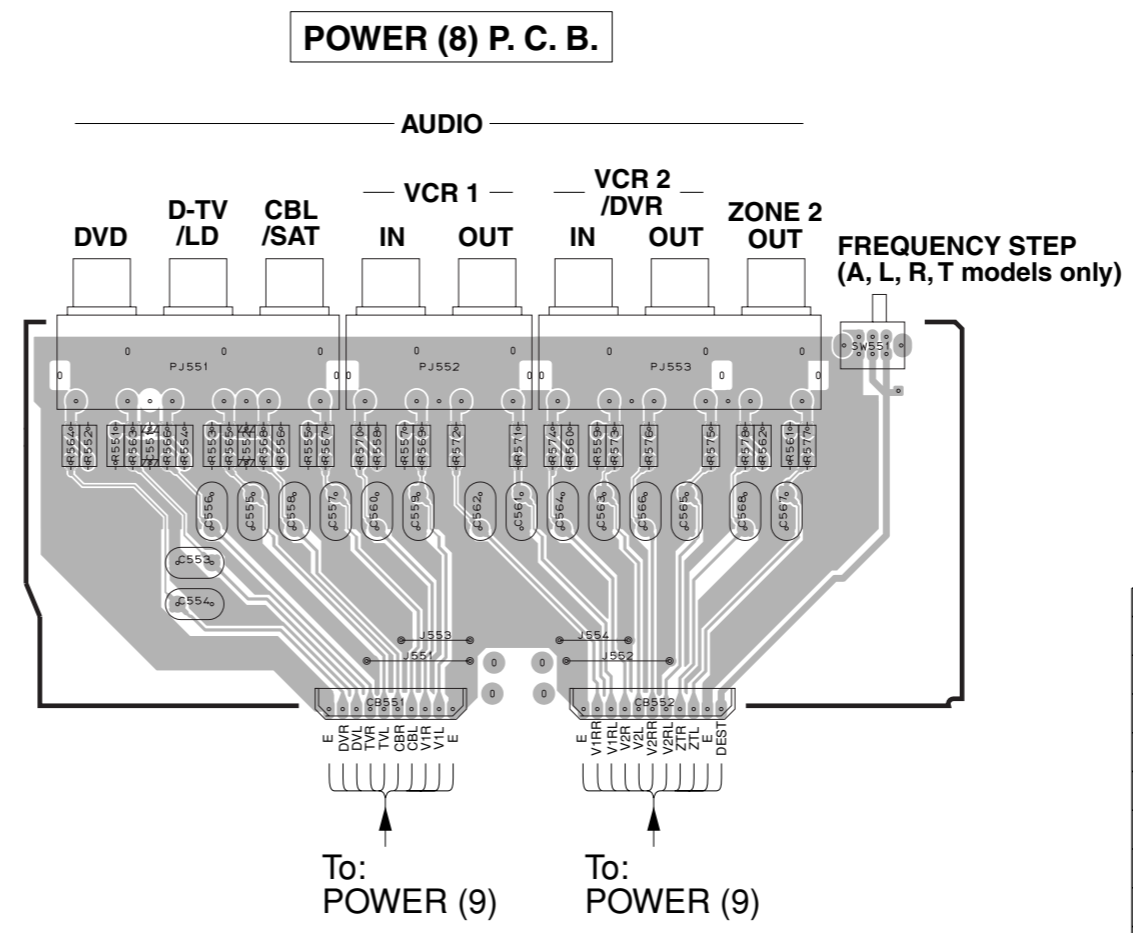
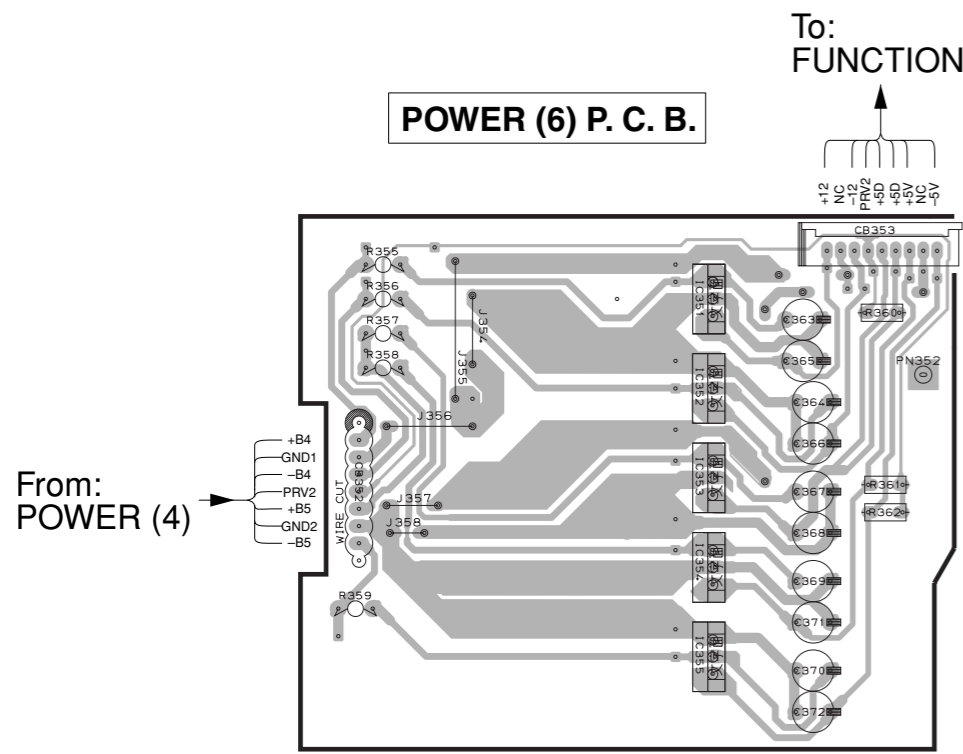
6

7

PRINTED CIRCUIT BOARD (Foil side)

• Semiconductor Location

Ref. No.	Location
D851	G6
IC351	C2
IC352	C2
IC353	C3
IC354	C3
IC355	C3
Q2	B6

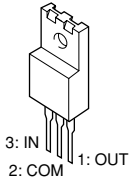
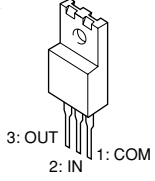
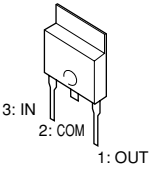
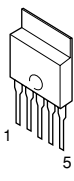
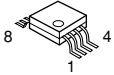
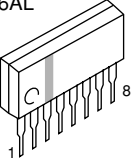
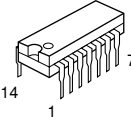
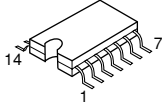
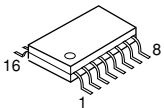
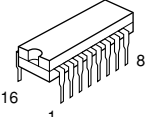
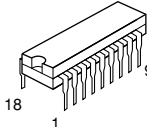
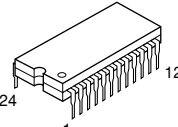
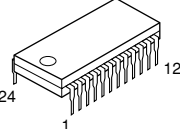
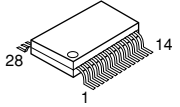
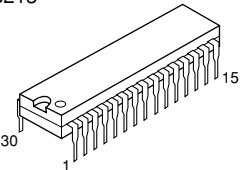
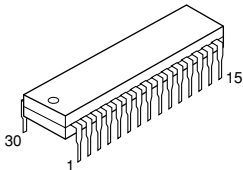
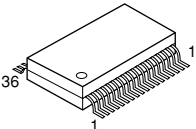
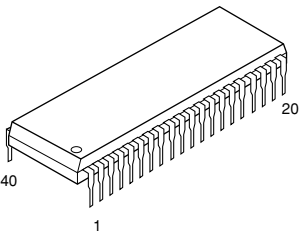
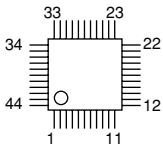
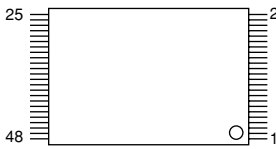
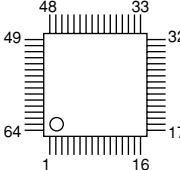
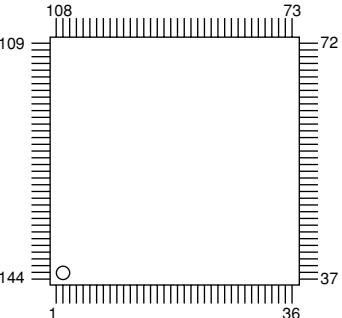
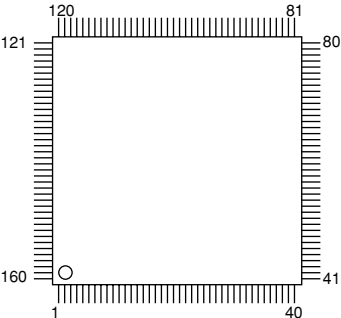


	J-L	U-C-A	R-T	B-G
R561-562	X	0	X	X
R577-578	X	0	X	X
C567-568	X	0	X	X
D851	X	0	X	X
JK851-852	X	0	X	X
IC1	X	X	X	0
XL1	X	X	X	0
C16-17	X	X	X	0
C11-12	X	X	X	0
C13	X	X	X	0
C18	X	X	X	0
C14-15-19	X	X	X	0
R12	X	X	X	0
R15-16	X	X	X	0
R13-14	X	X	X	0
R11	X	X	X	0
L1	X	X	X	0
SW551	X	X	0	X
Q2	X	X	X	0
R17	X	X	X	0

X: NOT USED
0: USED / APPLICABLE

PIN CONNECTION DIAGRAM

• ICs

<p>AN78N05 NJM7805FA NJM7812FA NJM78M05FA</p>  <p>3: IN 2: COM 1: OUT</p>	<p>NJM79M05FA NJM79M12FA</p>  <p>3: OUT 2: IN 1: COM</p>	<p>μPC29M33T-E1</p>  <p>3: IN 2: COM 1: OUT</p>	<p>PQ025EZ5MZP</p>  <p>1 5</p>
<p>NJM2068MD NJM2904M TK15420M μPC4570G2</p>  <p>8 1 4</p>	<p>NJM2068LD NJM4556AL</p>  <p>1 8</p>	<p>TC4066BP</p>  <p>14 1 7</p>	<p>TC74HC00AF TC74HCU04AF TC74VHCT08AF</p>  <p>14 1 7</p>
<p>CS3310-KS LA7104M LA7108M</p>  <p>16 1 8</p>	<p>TC74HC4051AP TC74HC4053AP TC74HCU04AP</p>  <p>16 1 8</p>	<p>BU2092</p>  <p>18 1 9</p>	<p>LC72722</p>  <p>24 1 12</p>
<p>LC74781-9798</p>  <p>24 1 12</p>	<p>AK4393-VF-E2</p>  <p>28 1 14</p>	<p>LC78211 LC78213</p>  <p>30 1 15</p>	<p>LC78212</p>  <p>30 1 15</p>
<p>LA7109</p>  <p>36 1 18</p>	<p>MSM514260C-60JS</p>  <p>40 1 20</p>	<p>AK4527VQ</p>  <p>33 23 34 22 44 12 1 11</p>	<p>MBM29F400BC-70</p>  <p>25 24 48 1</p>
<p>LC75710NE LC75712E</p>  <p>48 33 49 32 64 17 1 16</p>	<p>M30802SGP</p>  <p>108 73 109 72 144 37 1 36</p>	<p>YSS928</p>  <p>120 81 121 80 160 41 1 40</p>	

• Diodes

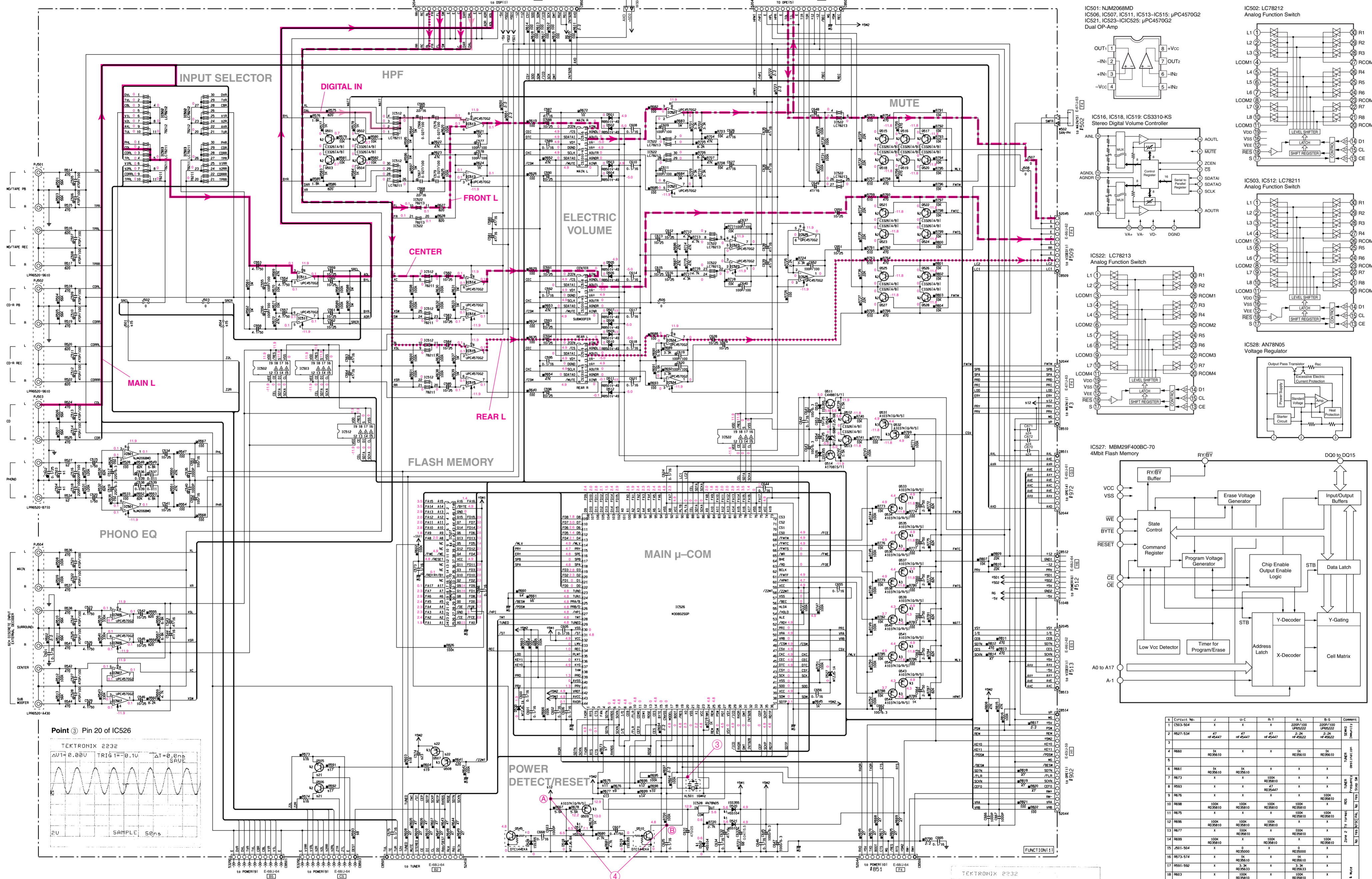
<p>1N4002S 1SR139 1SS133 1SS270A 1T2 HZS7B2TD MTZJ4.7C MTZJ5.1A</p> <p>MTZJ5.6B MTZJ6.8A MTZJ9.1A MTZJ11B MTZJ12A MTZJ12C MTZJ16A MTZJ30.0A</p>	<p>1SS355 RB501V-40</p>
<p>D2SBA20</p>	<p>S5VB20</p>

• Transistors

<p>2SA893A 2SA1015 2SB949 2SC535 2SC1815 2SC1890A 2SC2240 2SC2878</p>	<p>2SA933S 2SC1740S 2SD1915F 2SD1991A DTA144ES DTC114ES DTC144ES</p>	<p>2SB1565 2SD2396</p>	<p>2SA1492 2SC3856</p>
<p>2SA1037 2SC3326 DTA144EK DTC144EKA</p>	<p>2SA1708 2SA1770 2SC4488 2SC4614</p>	<p>2SK246</p>	

SCHEMATIC DIAGRAM (FUNCTION)

RX-V800/RX-V800RDS/HTR-5280/DSP-AX8



REMARKS	PARTS NAME	REMARKS	PARTS NAME
NO MARK	CARBON FILM RESISTOR (P=5)	NO MARK	ELECTROLYTIC CAPACITOR
NO MARK	CARBON FILM RESISTOR (P=10)	NO MARK	TANTALUM CAPACITOR
NO MARK	METAL OXIDE FILM RESISTOR	NO MARK	CERAMIC TUBULAR CAPACITOR
NO MARK	METAL FILM RESISTOR	NO MARK	POLYESTER FILM CAPACITOR
NO MARK	METAL PLATE RESISTOR	NO MARK	POLYSTYRENE FILM CAPACITOR
NO MARK	FIRE PROOF CARBON FILM RESISTOR	NO MARK	MICA CAPACITOR
NO MARK	SEMIMOUNTED RESISTOR	NO MARK	POLYPROPYLENE FILM CAPACITOR
NO MARK	SEM VARIABLE RESISTOR	NO MARK	POLYPHENYLENE SULFIDE FILM CAPACITOR
NO MARK	CHIP RESISTOR		

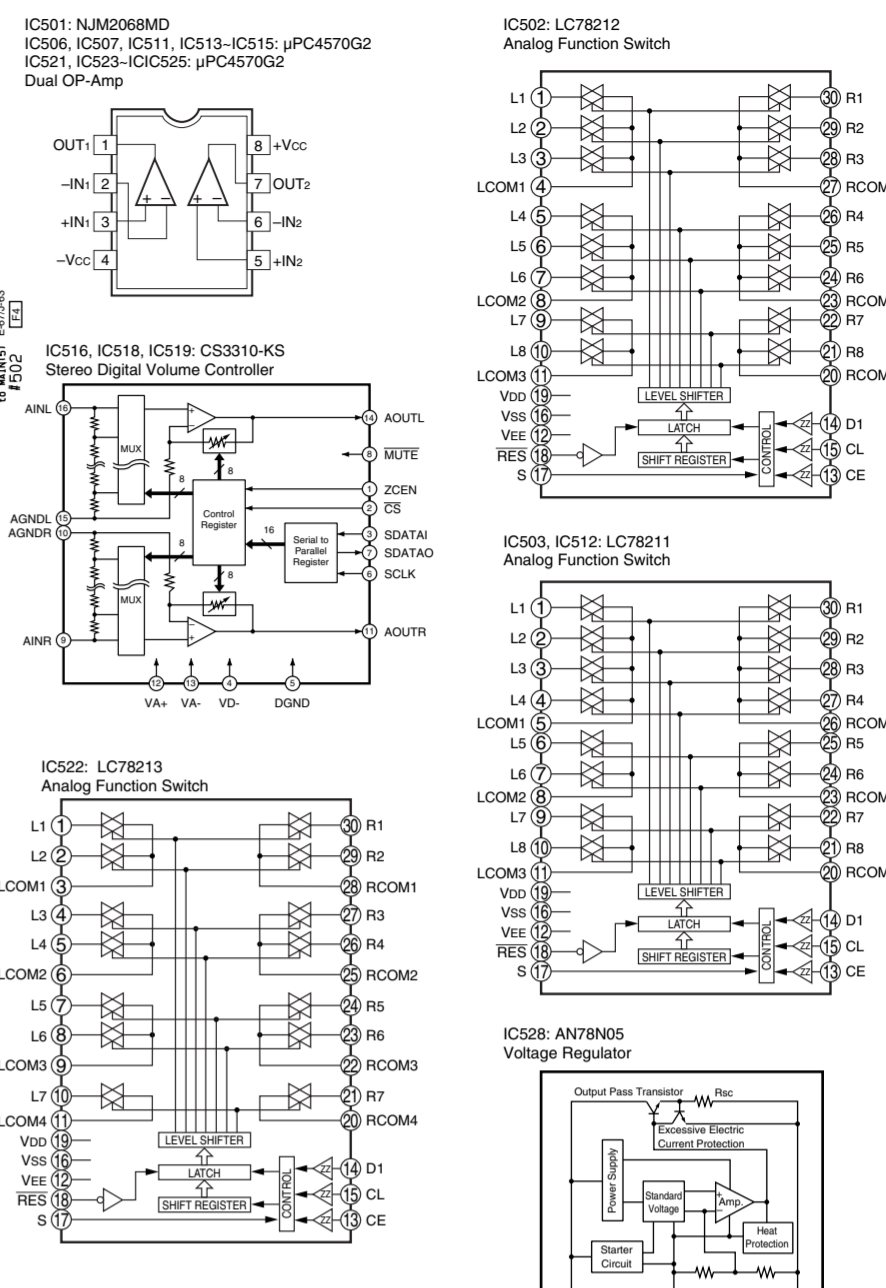
NOTICE (mode 1)

(J)..... JAPANESE
(U)..... U.S.A
(C)..... CANADIAN
(R)..... GENERAL
(A)..... AUSTRALIAN
(B)..... BRITISH
(G)..... EUROPEAN
(T)..... CHINA
(L)..... SINGAPORE

Interchangeable Parts at Manufacture Stage

Part No.	Reference Part Number	Part Name
41	001-500-041-902	RES133
42	001-500-512-513-515-520	2C233(1/8)
43	001-500-531-544	2C233(1/8)
44	241037(10/9/51)	2S708(19/9/51)
45		

- All voltage are measured with a 10M Ω / V DC electric volt meter.
 - Components having special characteristics are marked Δ and must be replaced with parts having specifications equal to those originally installed.
 - Schematic diagram is subject to change without notice.
- 電圧は、内部抵抗10MΩの電圧計で測定したものです。
● Δ 印のある部品は、安全性確保部品を示しています。部品の交換が必要な場合、パーツリストに記載されている部品を使用してください。
● 本回路図は標準回路図です。改良のため予告なく変更する E-56/E-52 ます。



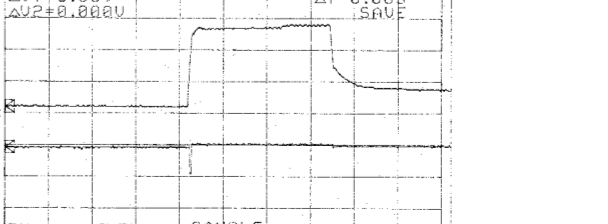
Circuit No.	J	U-C	B-T	A-L	B-G	Comment
1	C503-504	X	X	X	200P/100V	UPE202
2	R507-534	X	X	X	2.2K	HF-5247
3						
4	R660	1K	X	X	1K	RD35610
5	R661	1K	X	X	1K	RD35610
6	R673	X	X	X	100K	RD35610
7	R674	X	X	X	100K	RD35610
8	R693	X	X	X	100K	RD35610
9	R676	X	X	X	100K	RD35610
10	R698	100K	X	X	100K	RD35610
11	R675	X	X	X	100K	RD35610
12	R696	100K	X	X	100K	RD35610
13	R677	X	X	X	100K	RD35610
14	R699	100K	X	X	100K	RD35610
15	Q501-504	X	X	X	2N2222	
16	R673-574	X	X	X	1K	RD35610
17	R691-592	X	X	X	100K	RD35610
18	R603	X	X	X	100K	RD35610
19	R604	X	X	X	100K	RD35610
20	R641	X	X	X	100K	RD35610
21	Q505-506	X	X	X	C3201(1/8)	V33070
22	Q507-508	X	X	X	A1037N(10/9/51)	V33070
23	Q574	X	X	X	2-2/50	U316502
24	CR70-672	X	X	X	0.115	U313510
25						
26						

RESISTOR: NO MARK, CARBON FILM RESISTOR (P=5), CARBON FILM RESISTOR (P=10), METAL OXIDE FILM RESISTOR, METAL FILM RESISTOR, METAL PLATE RESISTOR, FIRE PROOF CARBON FILM RESISTOR, SEMIMOUNTED RESISTOR, SEM VARIABLE RESISTOR, CHIP RESISTOR

REMARKS: NO MARK, CARBON FILM RESISTOR (P=5), CARBON FILM RESISTOR (P=10), METAL OXIDE FILM RESISTOR, METAL FILM RESISTOR, METAL PLATE RESISTOR, FIRE PROOF CARBON FILM RESISTOR, SEMIMOUNTED RESISTOR, SEM VARIABLE RESISTOR, CHIP RESISTOR

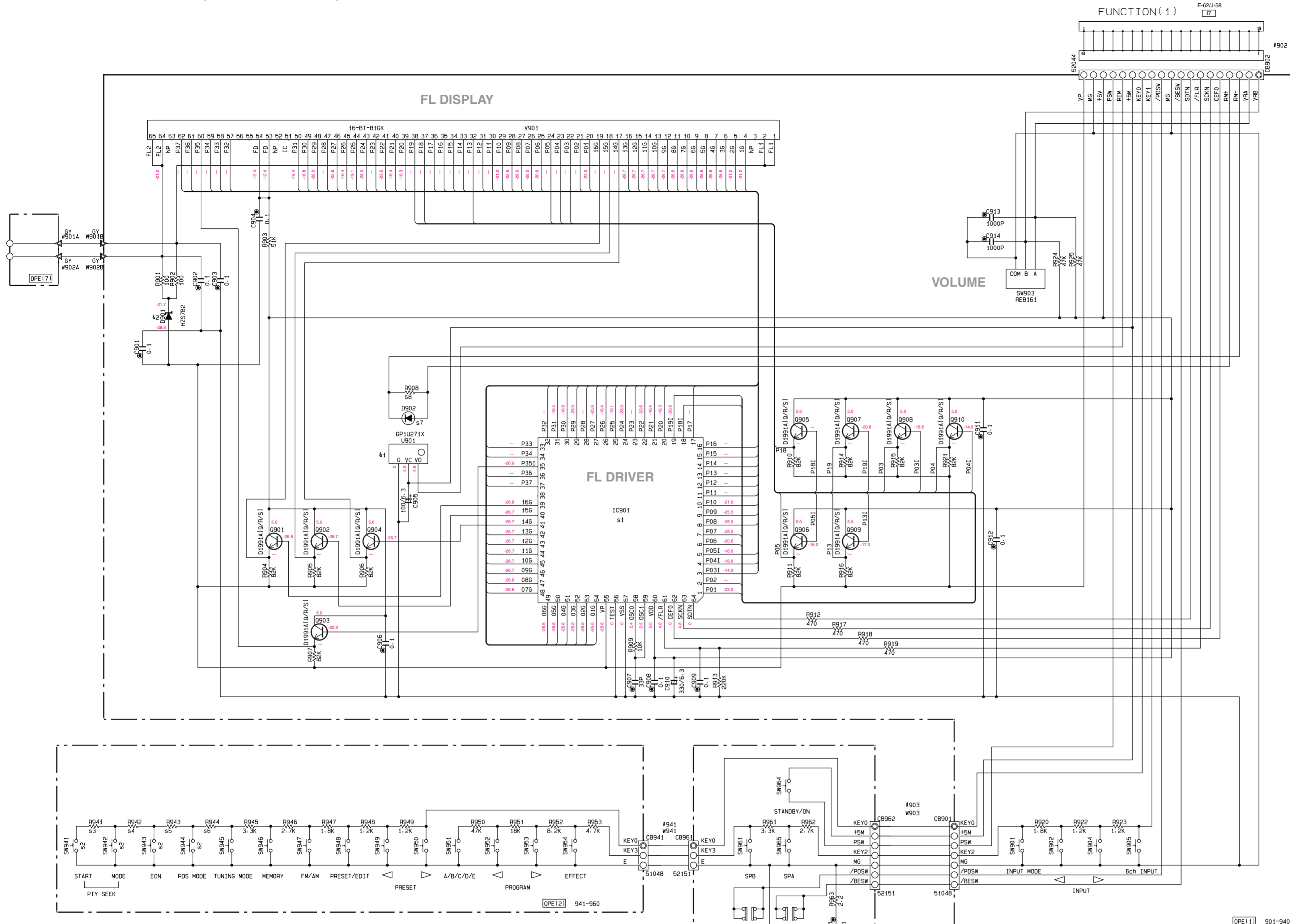
NOTICE (mode 1): (J)..... JAPANESE, (U)..... U.S.A, (C)..... CANADIAN, (R)..... GENERAL, (A)..... AUSTRALIAN, (B)..... BRITISH, (G)..... EUROPEAN, (T)..... CHINA, (L)..... SINGAPORE

Interchangeable Parts at Manufacture Stage: Part No., Reference Part Number, Part Name



POWER ON (Connect the power cord) POWER OFF (Disconnect the power cord)

SCHEMATIC DIAGRAM (OPERATION 1/2)



RESISTOR

REMARKS	PARTS NAME
NO MARK	CARBON FILM RESISTOR (P=5)
□	CARBON FILM RESISTOR (P=10)
△	METAL OXIDE FILM RESISTOR
▲	METAL FILM RESISTOR
⊠	METAL PLATE RESISTOR
▣	FIRE PROOF CARBON FILM RESISTOR
□	CEMENT MOLDED RESISTOR
⊕	SEMI VARIABLE RESISTOR
■	CHIP RESISTOR

CAPACITOR

REMARKS	PARTS NAME
NO MARK	ELECTROLYTIC CAPACITOR
⊗	TANTALUM CAPACITOR
NO MARK	CERAMIC CAPACITOR
⊙	CERAMIC TUBULAR CAPACITOR
⊖	POLYESTER FILM CAPACITOR
○	POLYSTYRENE FILM CAPACITOR
⊕	MICA CAPACITOR
⊗	POLYPROPYLENE FILM CAPACITOR
⊙	SEMICONDUCTIVE CERAMIC CAPACITOR
⊖	POLYPHENYLENE SULFIDE FILM CAPACITOR

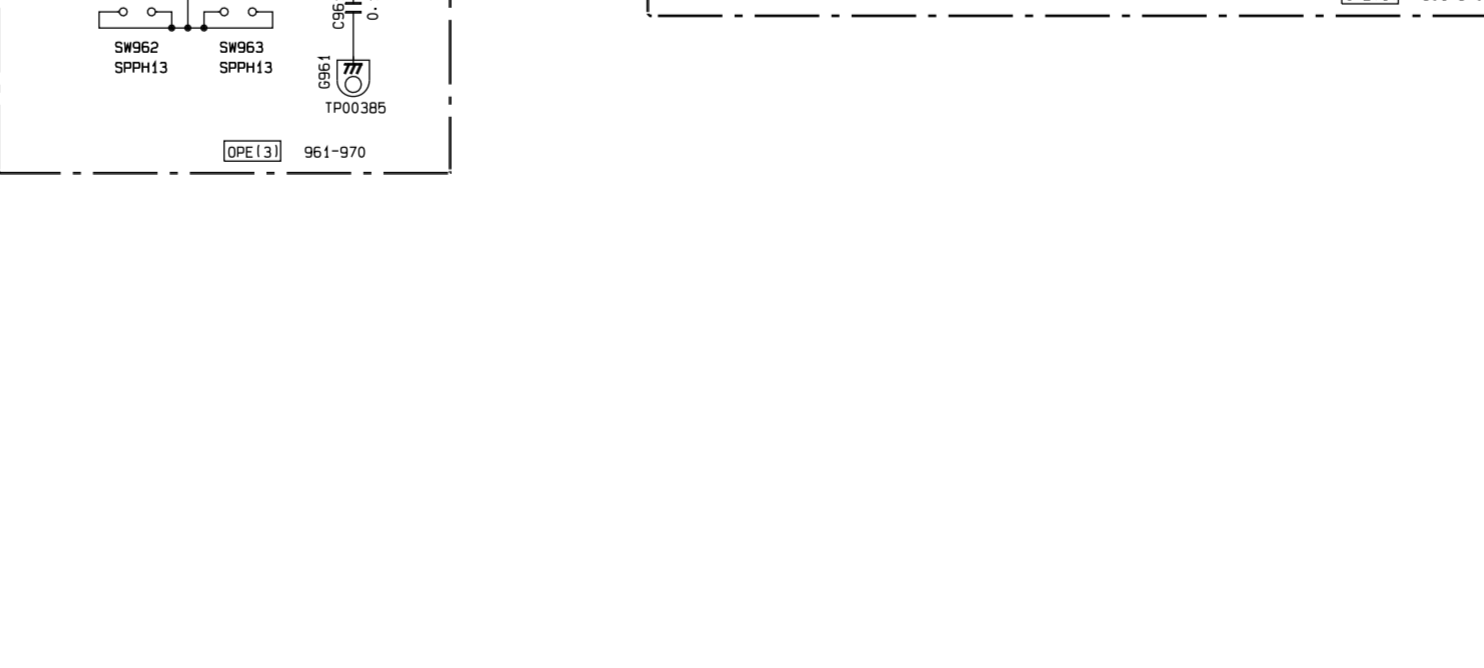
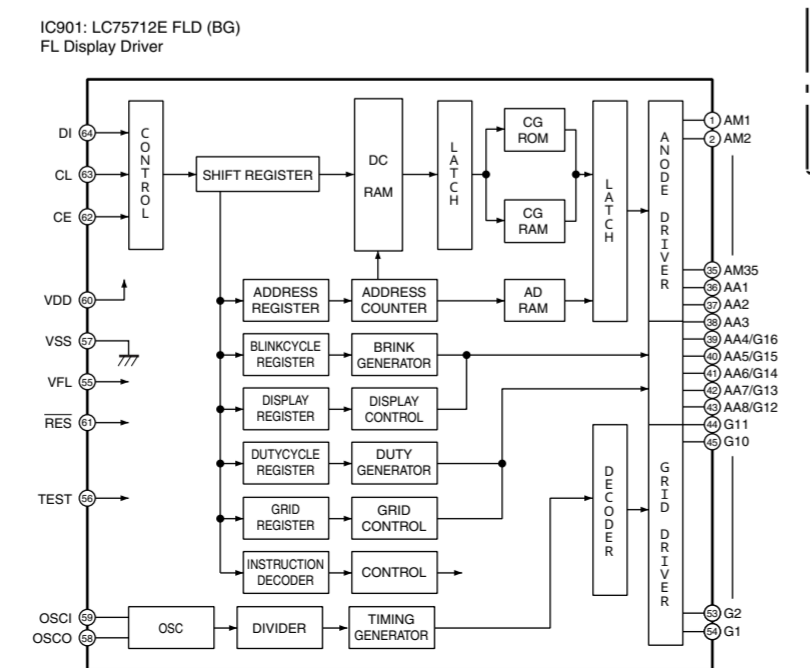
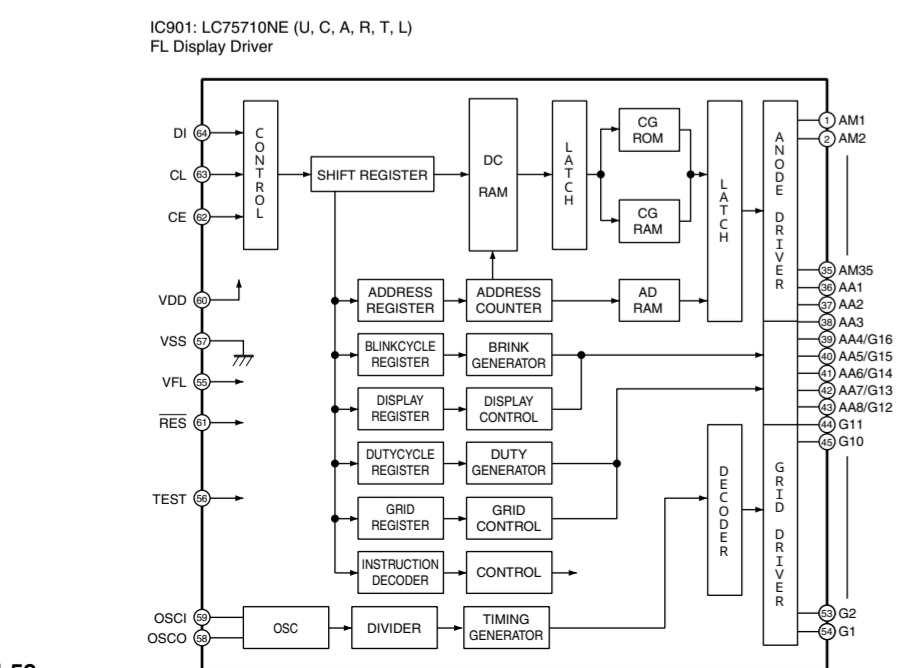
NOTICE (model1)
 (J)..... JAPANESE
 (U)..... U. S. A.
 (C)..... CANADIAN
 (R)..... GENERAL
 (A)..... AUSTRALIAN
 (B)..... BRITISH
 (G)..... EUROPEAN
 (T)..... CHINA
 (L)..... SINGAPORE

s	Circuit No.	J-R-T-L	U-C-A	B-G
1	IC901	LC75710NE XR188A0	LC75710NE XR188A0	LC75712E XV160A0
2	SW941-944	X	X	V639290
3	R941	x	x	47K HF45747
4	R942	x	x	18K HF45718
5	R943	x	x	B.2K HF45682
6	R944	x	x	4.7K HF45647
7	D902	x	S1R-505ST V259820	x
8	R908	x	10K HF45710	x
9				
10				
11				
12				
13				
14				
15				
16				
17				
18				

x: NOT USED

Interchangeable Parts at Manufacture-Stage

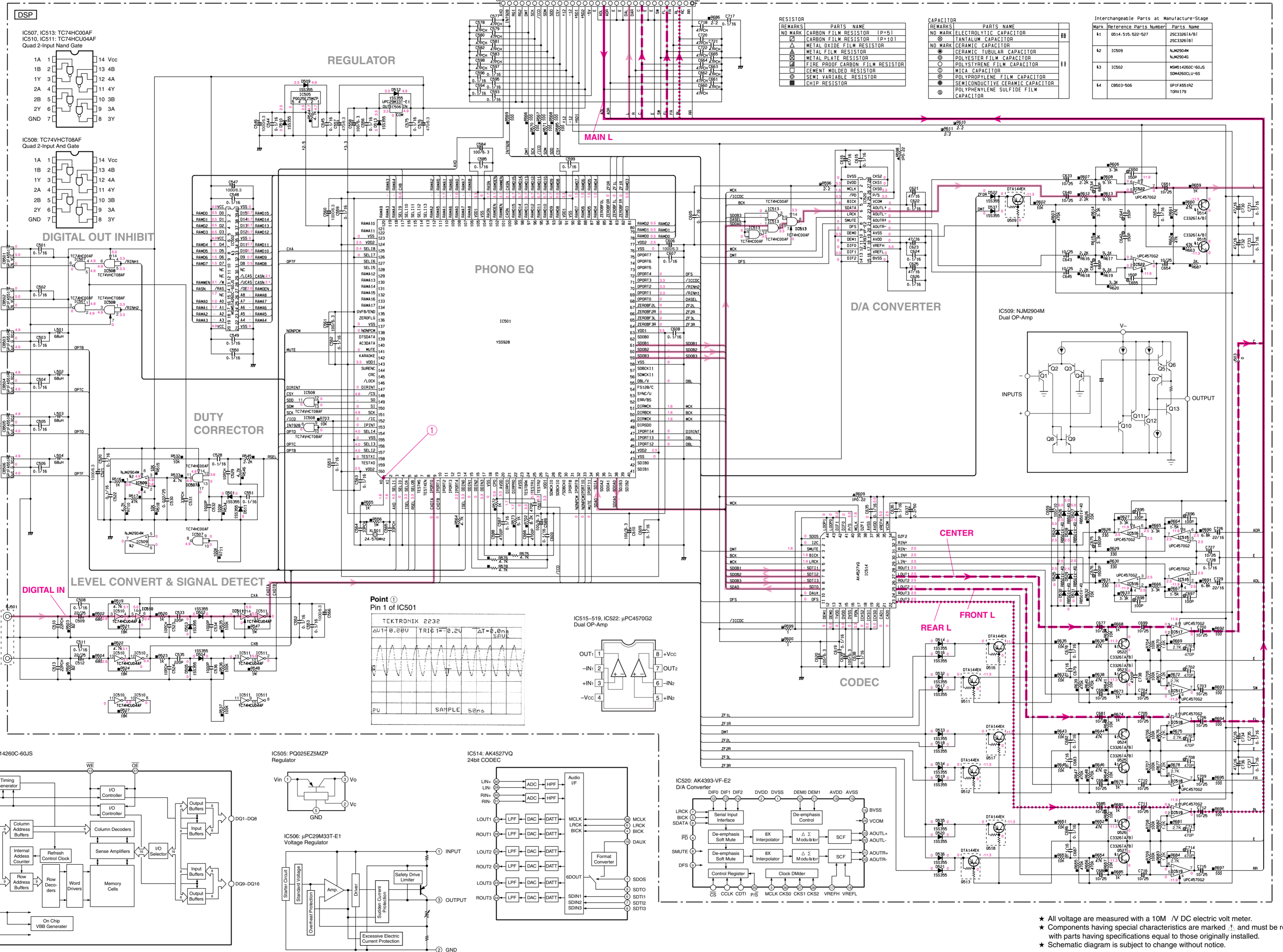
Mark	Reference Parts Number	Parts Name
k1	U901	GP1U271X P1C-281431H5
k2	D901	HZ57B2 MTJ.7. 5A
k3	D972, 973	HSS104 1SS133, 1SS176
k4		
k5		



- ★ All voltage are measured with a 10M /V DC electric volt meter.
 - ★ Components having special characteristics are marked !, and must be replaced with parts having specifications equal to those originally installed.
 - ★ Schematic diagram is subject to change without notice.
- 電圧は、内部抵抗10MΩの電圧計で測定したものです。
 ● !印のある部品は、安全性確保部品を示しています。部品の交換が必要な場合、パーツリストに記載されている部品を使用してください。
 ● 本回路図は標準回路図です。改良のため予告なく変更することがございます。

■ SCHEMATIC DIAGRAM (DSP)

1
2
3
4
5
6
7
8
9

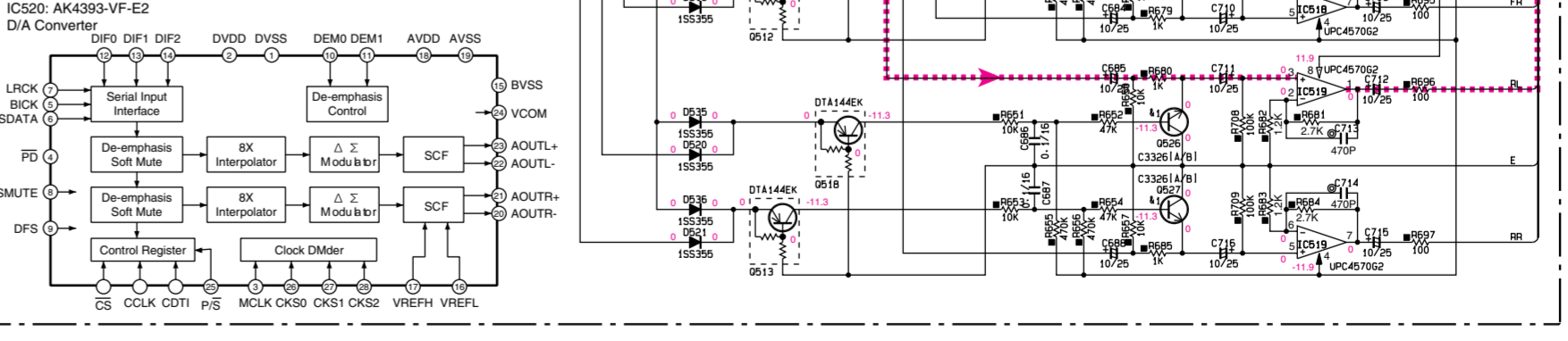
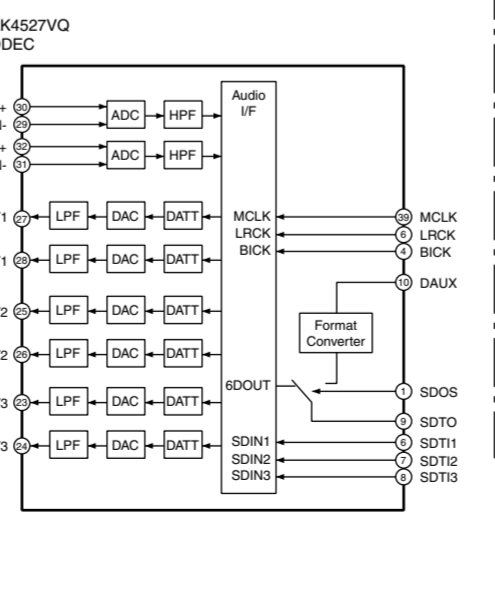
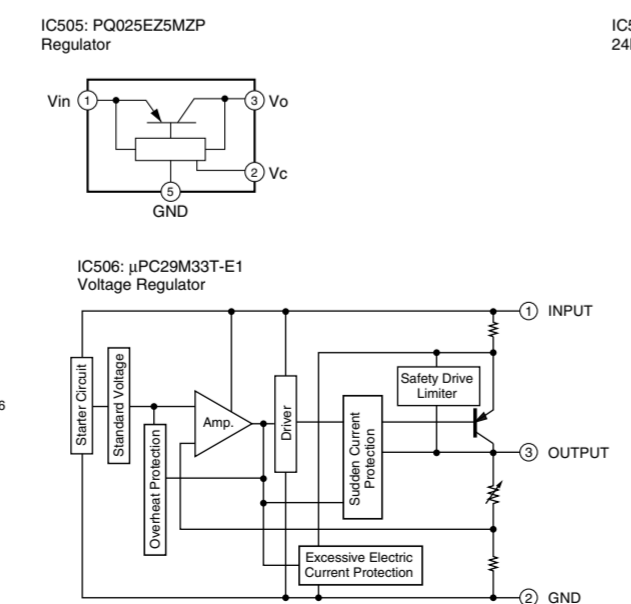
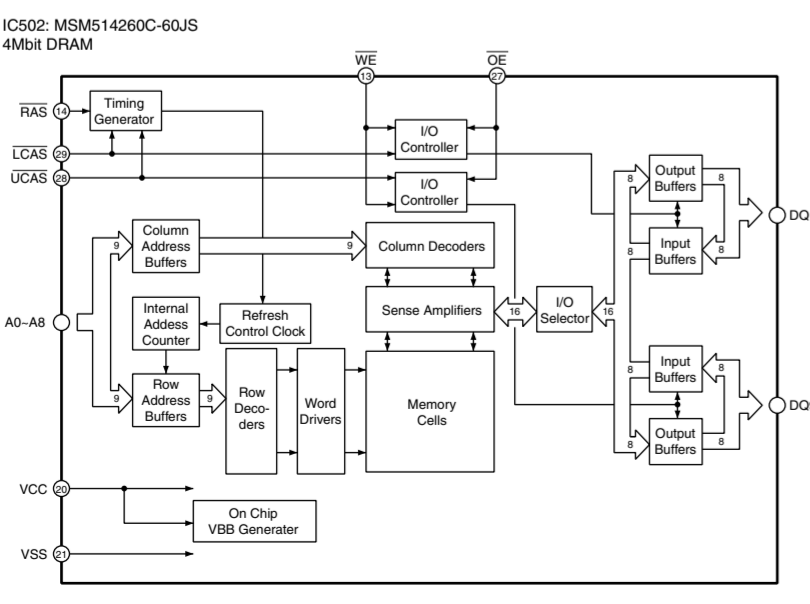
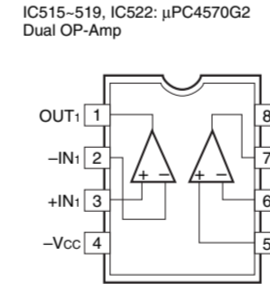
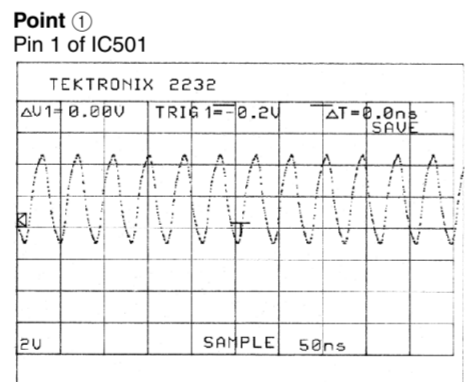


REMARKS	PARTS NAME
NO MARK	CARBON FILM RESISTOR (P=5)
△	CARBON FILM RESISTOR (P=10)
▲	METAL OXIDE FILM RESISTOR
△	METAL FILM RESISTOR
▲	METAL PLATE RESISTOR
△	FIRE PROOF CARBON FILM RESISTOR
▲	CEMENT MOLDED RESISTOR
△	SEMI VARIABLE RESISTOR
■	CHIP RESISTOR

REMARKS	PARTS NAME
NO MARK	ELECTROLYTIC CAPACITOR
⊗	TANTALUM CAPACITOR
NO MARK	CERAMIC CAPACITOR
⊙	CERAMIC TUBULAR CAPACITOR
⊖	POLYESTER FILM CAPACITOR
⊕	POLYPROPYLENE FILM CAPACITOR
⊖	MICA CAPACITOR
⊕	POLYPROPYLENE FILM CAPACITOR
⊖	SEMICONDUCTIVE CERAMIC CAPACITOR
⊕	POLYPHENYLENE SULFIDE FILM CAPACITOR

Mark	Reference Parts Number	Parts Name
41	0514-515-522-927	25C33261A/B1 25C33261B1
42	IC509	NJM2904M NJM2904G
43	IC502	MSM514260C-60JS S0M4260CU-65
44	CB503-506	GR1F4551RZ TOR1179

NOTICE (mode1)
(J)..... JAPANESE
(U)..... U.S.A
(C)..... CANADIAN
(R)..... GENERAL
(A)..... AUSTRALIAN
(B)..... BRITISH
(G)..... EUROPEAN
(T)..... CHINA
(L)..... SINGAPORE



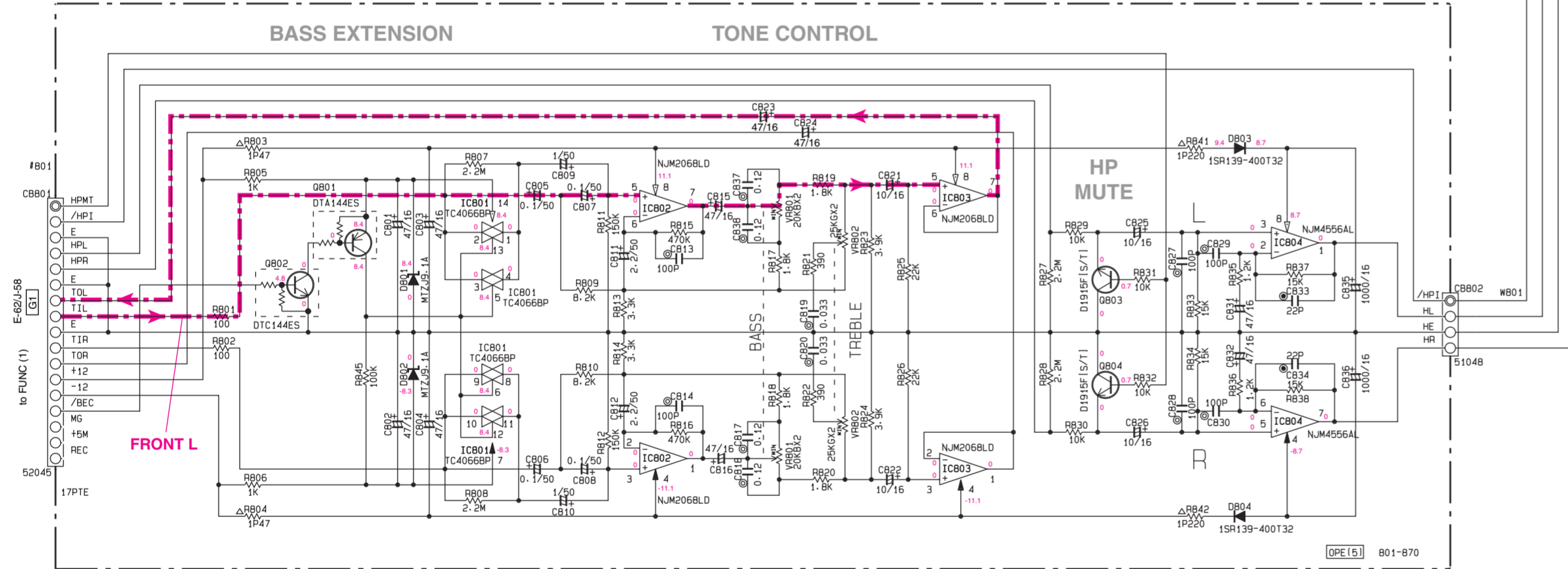
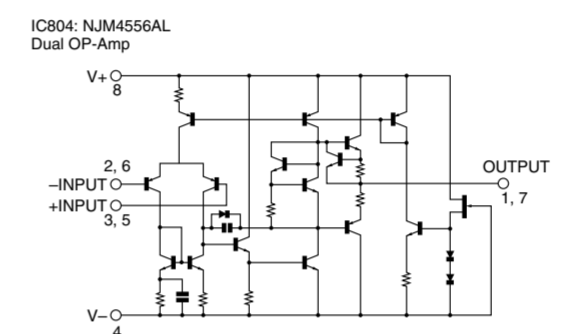
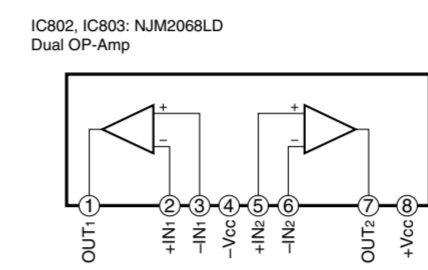
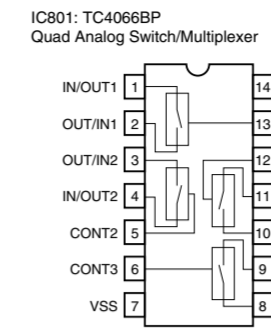
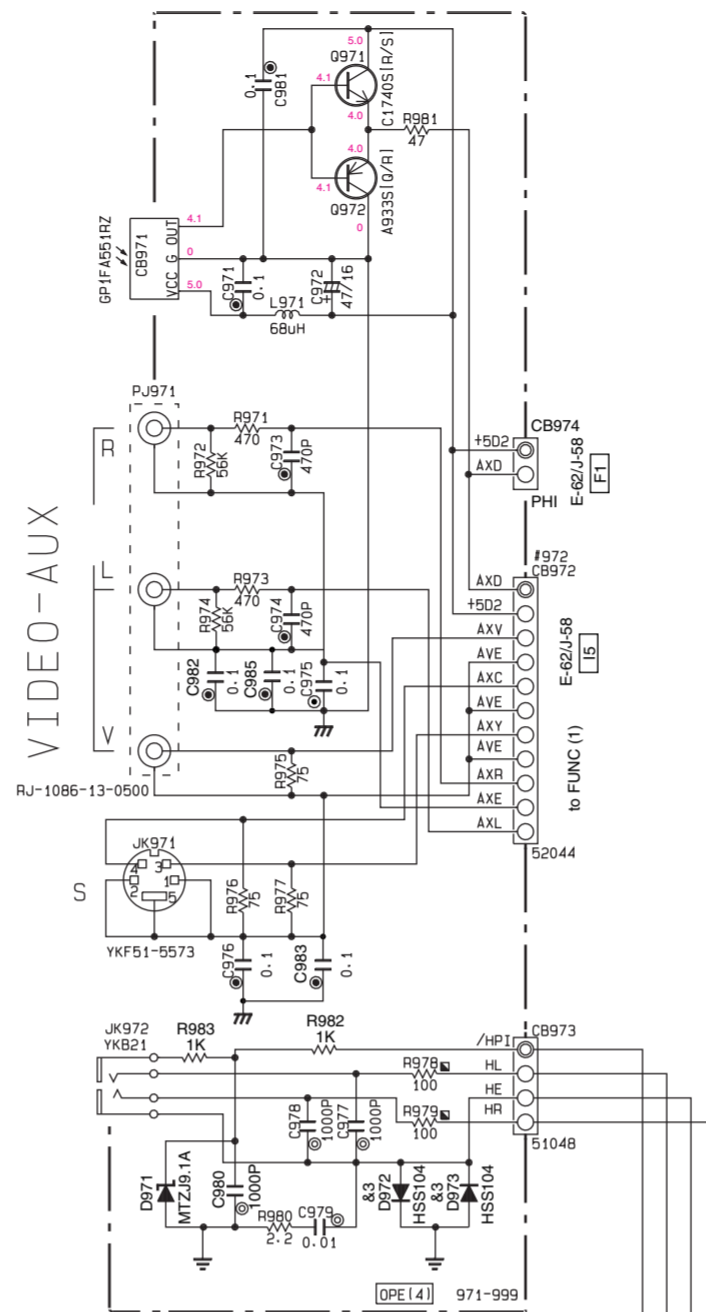
- ★ All voltage are measured with a 10M Ω /V DC electric volt meter.
- ★ Components having special characteristics are marked ▲, and must be replaced with parts having specifications equal to those originally installed.
- ★ Schematic diagram is subject to change without notice.
- 電圧は、内部抵抗10MΩの電圧計で測定したものです。
- ▲印のある部品は、安全性確保部品を示しています。部品の交換が必要な場合、パーツリストに記載されている部品を使用してください。
- 本回路図は標準回路図です。改良のため予告なく変更することがございます。

SCHEMATIC DIAGRAM (OPERATION 2/2)

REMARKS	PARTS NAME
NO MARK	CARBON FILM RESISTOR (P=5)
☑	CARBON FILM RESISTOR (P=10)
△	METAL OXIDE FILM RESISTOR
▲	METAL FILM RESISTOR
▢	METAL PLATE RESISTOR
⊠	FIRE PROOF CARBON FILM RESISTOR
□	CEMENT MOLDED RESISTOR
⊗	SEMI VARIABLE RESISTOR
■	CHIP RESISTOR

REMARKS	PARTS NAME
NO MARK	ELECTROLYTIC CAPACITOR
⊗	TANTALUM CAPACITOR
NO MARK	CERAMIC CAPACITOR
●	CERAMIC TUBULAR CAPACITOR
⊙	POLYESTER FILM CAPACITOR
○	POLYSTYRENE FILM CAPACITOR
①	MICA CAPACITOR
⊖	POLYPROPYLENE FILM CAPACITOR
⊕	SEMICONDUCTIVE CERAMIC CAPACITOR
⊙	POLYPHENYLENE SULFIDE FILM CAPACITOR

NOTICE (model)
 (J)..... JAPANESE
 (U)..... U. S. A
 (C)..... CANADIAN
 (R)..... GENERAL
 (A)..... AUSTRALIAN
 (B)..... BRITISH
 (G)..... EUROPEAN
 (T)..... CHINA
 (L)..... SINGAPORE

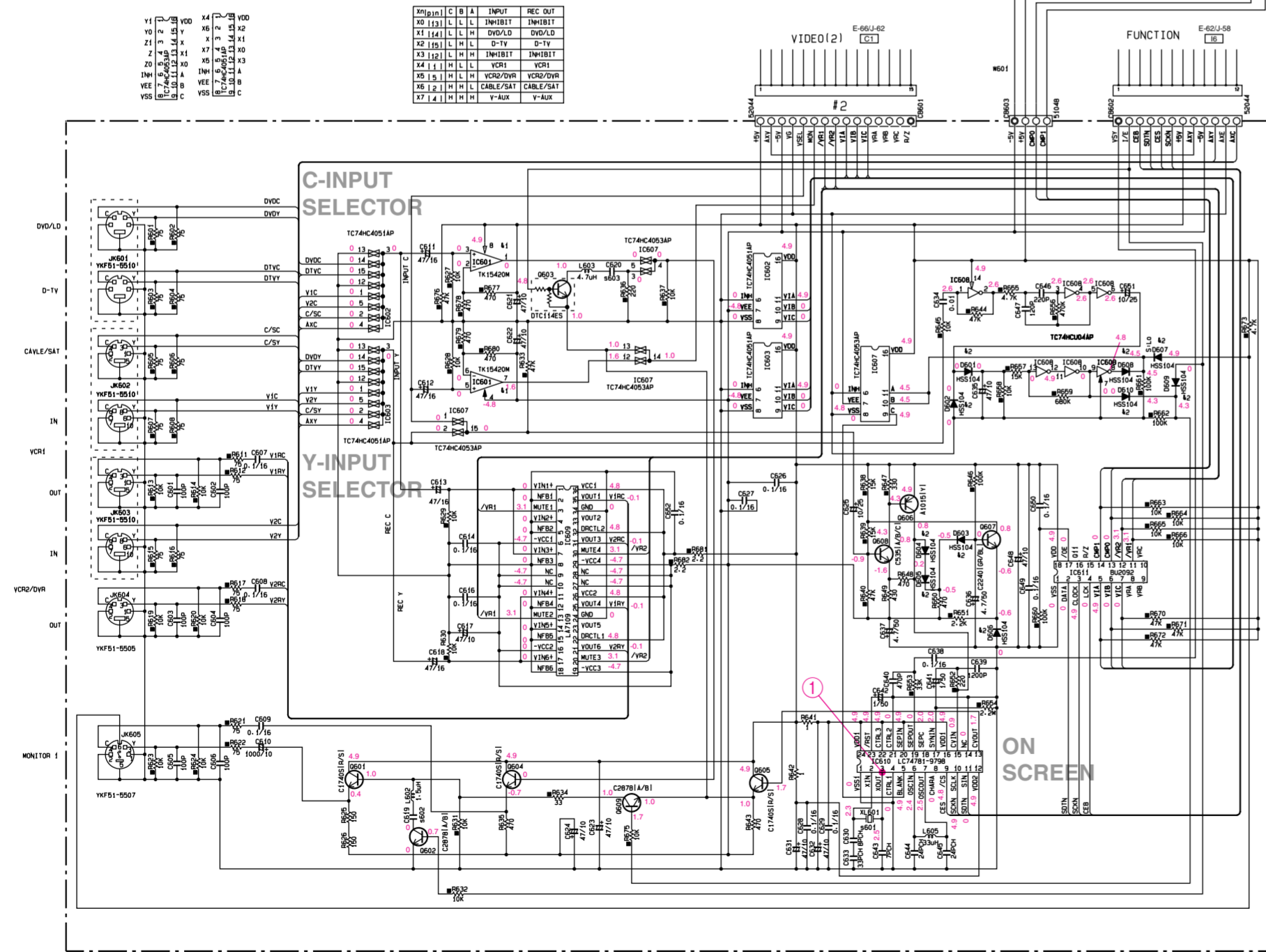
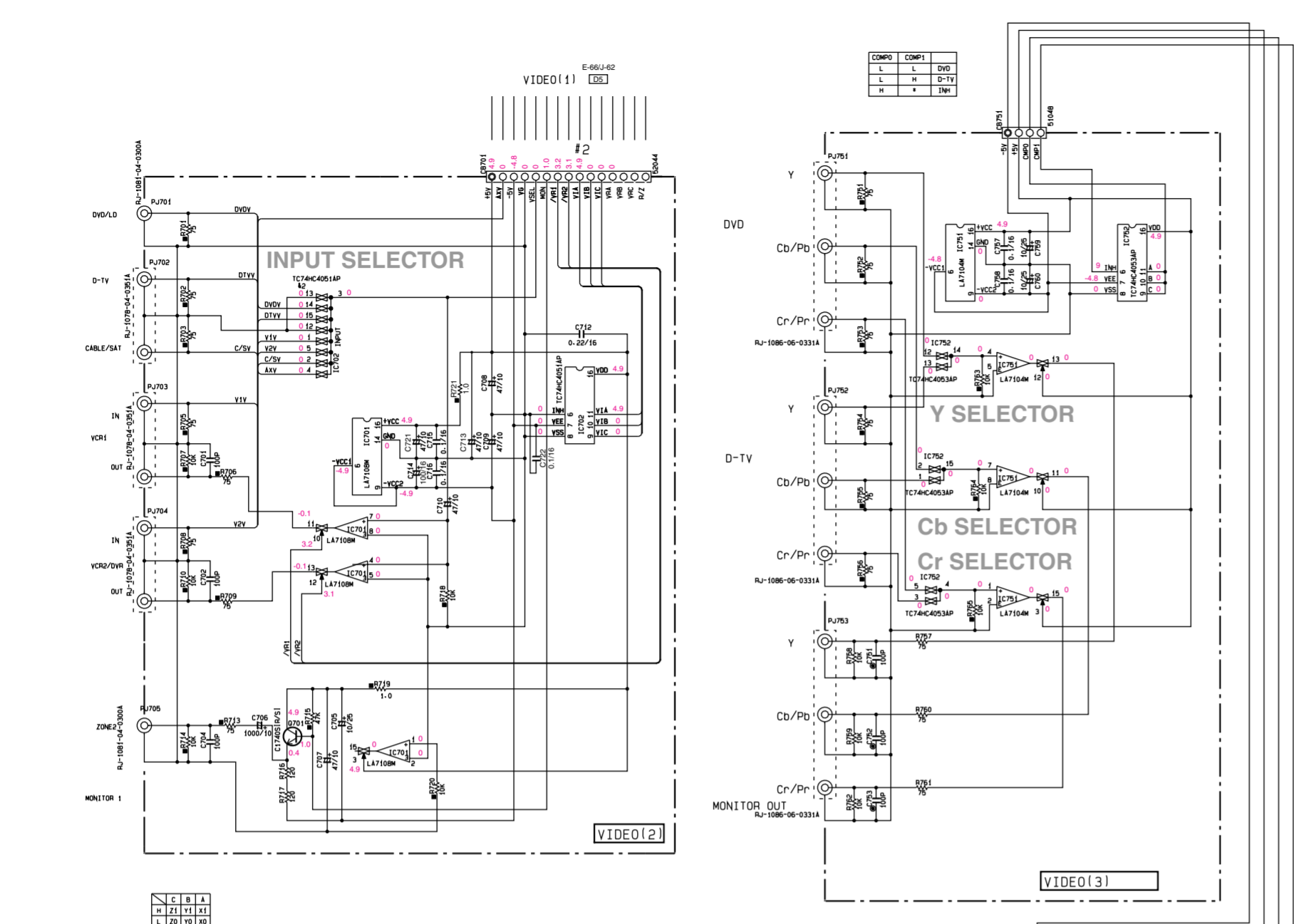


★ All voltage are measured with a 10M Ω DC electric volt meter.
 ★ Components having special characteristics are marked with a triangle and must be replaced with parts having specifications equal to those originally installed.
 ★ Schematic diagram is subject to change without notice.

● 電圧は、内部抵抗10MΩの電圧計で測定したものです。
 ● △印のある部品は、安全性確保部品を示しています。部品の交換が必要な場合、パーツリストに記載されている部品を使用してください。
 ● 本回路図は標準回路図です。改良のため予告なく変更することがございます。

SCHEMATIC DIAGRAM (VIDEO)

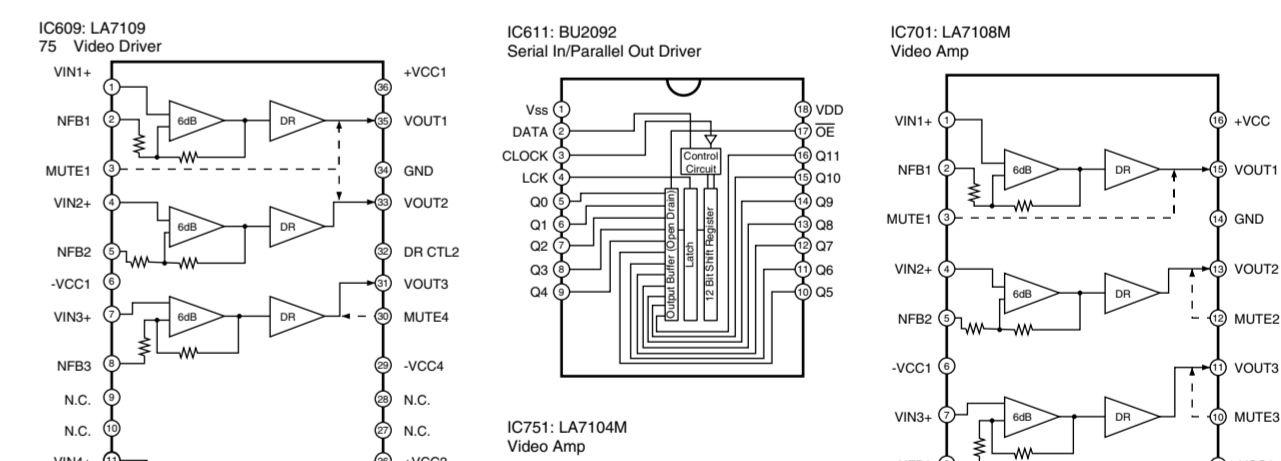
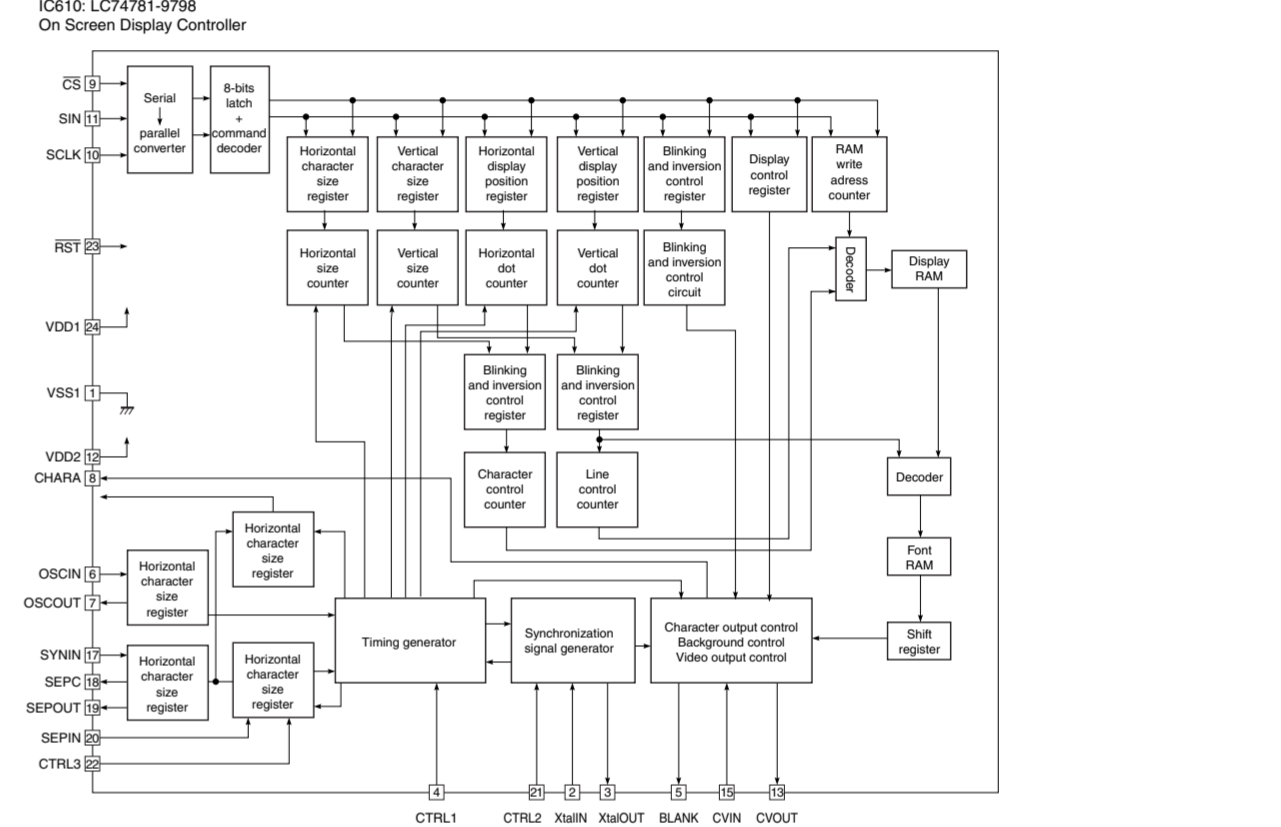
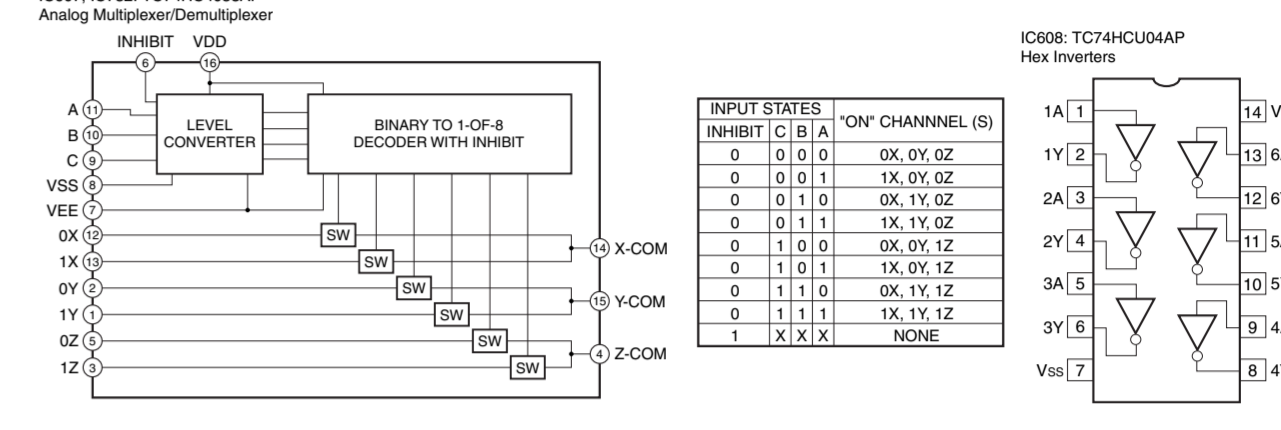
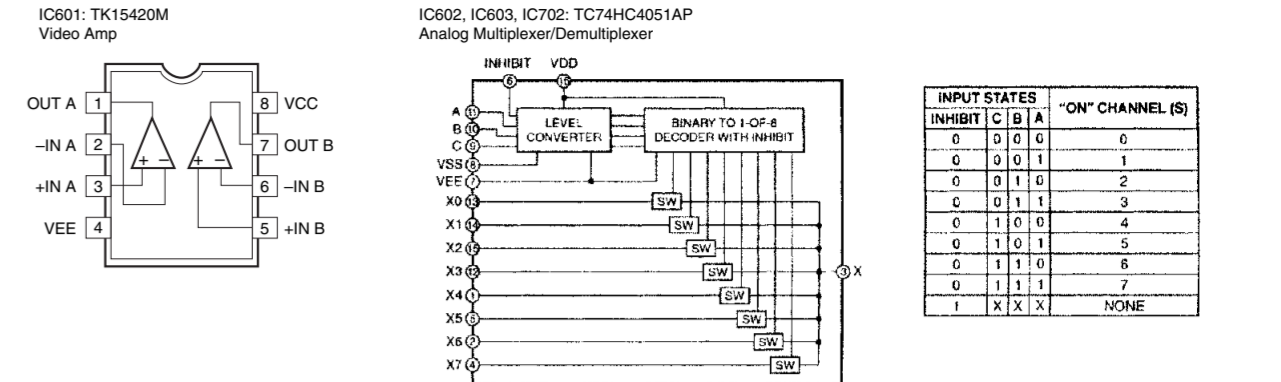
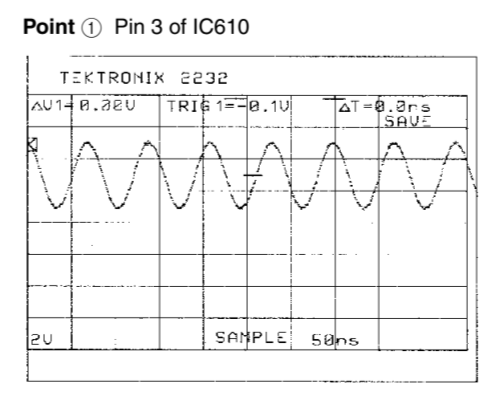
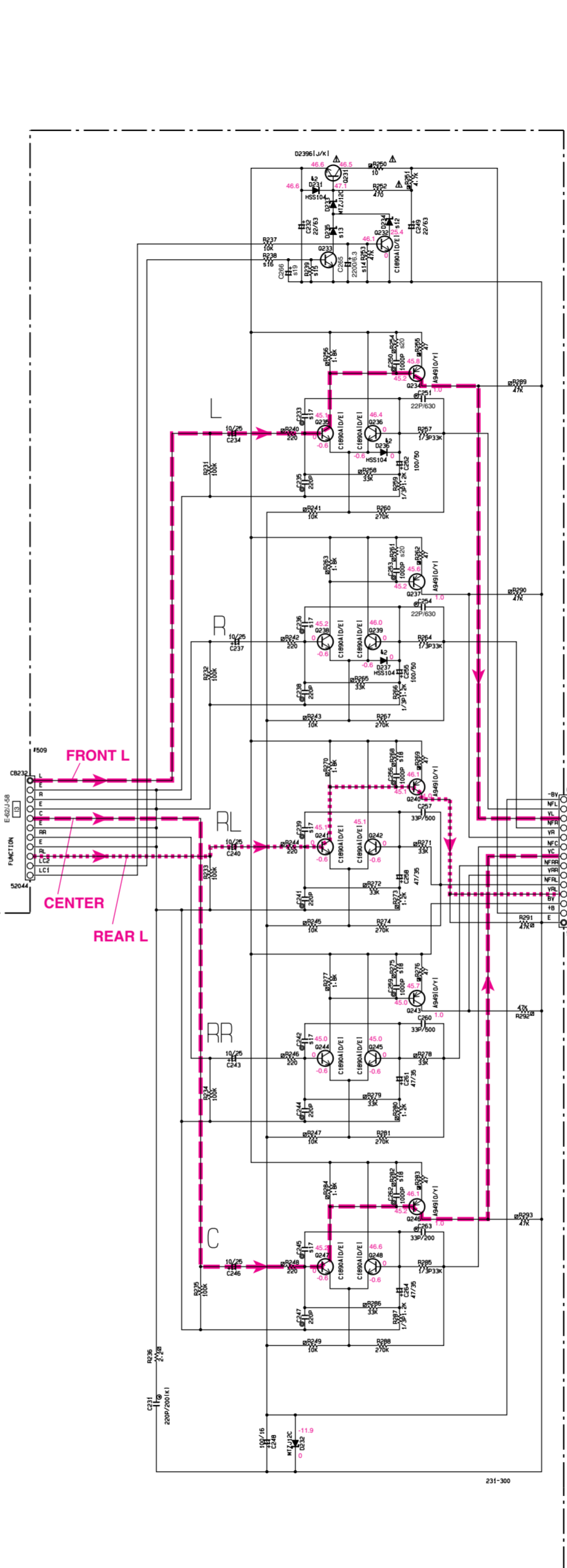
1
2
3
4
5
6
7
8
9



MARKS	PARTS NAME	REMARKS	PARTS NAME	REMARKS
NO MARK	ELECTROLYTIC CAPACITOR	(C)	CARBON FILM RESISTOR (P+5)	(R)
NO MARK	TANTALUM CAPACITOR	(T)	CARBON FILM RESISTOR (P+10)	(R)
NO MARK	CERAMIC CAPACITOR	(C)	METAL OXIDE FILM RESISTOR	(R)
NO MARK	POLYESTER FILM CAPACITOR	(C)	METAL FILM RESISTOR	(R)
NO MARK	POLYPROPYLENE FILM CAPACITOR	(C)	METAL PCLIC RESISTOR	(R)
NO MARK	MICA CAPACITOR	(C)	FIRE PROOF CARBON FILM RESISTOR	(R)
NO MARK	POLYPROPYLENE SULFIDE FILM CAPACITOR	(C)	CEMENT MOLDED RESISTOR	(R)
NO MARK			SEMI VARIABLE RESISTOR	(R)
NO MARK			CHIP RESISTOR	(R)

NOTICE (mode1)
(U) U.S.A.
(C) CANADIAN
(F) GENERAL
(A) AUSTRALIAN
(B) BRITISH
(G) EUROPEAN
(T) CHINA
(L) SINGAPORE

- All voltage are measured with a 10M /V DC electric volt meter.
- Components having special characteristics are marked Δ and must be replaced with parts having specifications equal to those originally installed.
- Schematic diagram is subject to change without notice.
- 電圧は、内部抵抗10M Ω の電圧計で測定したものです。
- Δ 印のある部品は、安全性確保部品を示しています。部品の交換が必要な場合、パーツリストに記載されている部品を使用してください。
- 本回路図は標準回路図です。改良のため予告なく変更することがございます。



Part No.	U	C	B.1	A.L.L.S.B
601	TK15420M	TK15420M	TK15420M	TK15420M
602	TC74HC4051AP	TC74HC4051AP	TC74HC4051AP	TC74HC4051AP
603	TC74HC4053AP	TC74HC4053AP	TC74HC4053AP	TC74HC4053AP
604	TC74HC4051AP	TC74HC4051AP	TC74HC4051AP	TC74HC4051AP
605	TC74HC4053AP	TC74HC4053AP	TC74HC4053AP	TC74HC4053AP
606	TC74HC4051AP	TC74HC4051AP	TC74HC4051AP	TC74HC4051AP
607	TC74HC4053AP	TC74HC4053AP	TC74HC4053AP	TC74HC4053AP
608	TC74HC04AP	TC74HC04AP	TC74HC04AP	TC74HC04AP
609	LA7109	LA7109	LA7109	LA7109
610	BU2092	BU2092	BU2092	BU2092
611	LA7104M	LA7104M	LA7104M	LA7104M

FRONT L POWER AMP

FRONT R POWER AMP

FRONT L REAR L POWER AMP

REAR R POWER AMP

CENTER POWER AMP

REMARKS	PARTS NAME
NO MARK	ELECTROLYTIC CAPACITOR
⊖	TANTALUM CAPACITOR
NO MARK	CERAMIC CAPACITOR
⊙	CERAMIC TUBULAR CAPACITOR
⊗	POLYESTER FILM CAPACITOR
○	POLYSTYRENE FILM CAPACITOR
○	MICA CAPACITOR
⊙	POLYPROPYLENE FILM CAPACITOR
⊗	SEMICONDUCTIVE CERAMIC CAPACITOR
⊙	POLYPHENYLENE SULFIDE FILM CAPACITOR

REMARKS	PARTS NAME
NO MARK	CARBON FILM RESISTOR (P=5)
⊗	CARBON FILM RESISTOR (P=10)
△	METAL OXIDE FILM RESISTOR
⊗	METAL FILM RESISTOR
⊗	METAL PLATE RESISTOR
⊗	FIRE PROOF CARBON FILM RESISTOR
⊗	CEMENT MOLDED RESISTOR
⊗	SEMI-VARIABLE RESISTOR
⊗	CHIP RESISTOR

NOTICE (model)
 (J)..... JAPANESE
 (U)..... U.S.A
 (C)..... CANADIAN
 (R)..... GENERAL
 (A)..... AUSTRALIAN
 (B)..... BRITISH
 (G)..... EUROPEAN
 (T)..... CHINA
 (L)..... SINGAPORE

Interchangeable Parts at Manufacture-Stage

Mark	Reference Parts Number	Parts Name
⊗1	0155-156	25C207R1A/01 25D1915F15/11
⊗2	D2-3-13-14-26-27-28-202	H5104 1S5133 1S5176
⊗3	RY1-151-152	DH2402-01W1 DH2402-01W1-SL

Model	J	U-C	R-T	A	B-G-L
1 Circuit No.					
S1 C41-49	X	X	0-01 (U495410)	0-01 (U495410)	0-01 (U495410)
S2 C151-154	X	X	4700P (V171630)	4700P (V171630)	4700P (V171630)
S3 SW201	X	SL138-022MCS (V410420)	SL138-022MCS (V410420)	SL138-022MCS (V410420)	SL138-022MCS (V410420)
S4					
S5 R134-136	X	X	4.7 (H75347)	4.7 (H75347)	4.7 (H75347)
S6 C30-40	X	X	470P (V46690)	470P (V46690)	470P (V46690)
S7 TE1	Y591210	Y591210	Y591210	Y591210	Y591200
S8 TE151	Y591230	Y591230	Y591230	Y591230	Y591220
S9 C155-156	X	X	0-01 (V171670)	0-01 (V171670)	0-01 (V171670)
S10					
J202-203	D	X	X	X	X
S11 J201	D	O	X	O	O
S12 Q201-203	X	X	D2396(J,K) V81980	X	X
S13 R202-208	X	X	10K HF49510	X	X
S14 R201	X	X	10K HF49710	X	X
S15 D202	X	X	1S5133 N53160	X	X
S16 C205	X	X	10/25 U14710	X	X
S17 C212	X	X	10/100 UR8970	X	X
S18 D202	X	X	42461(Y) TE10262	X	X
S19 D203	X	X	MTZ118 V643990	X	X
S20 C213	X	X	10/70 U16710	X	X
S21 D208	X	X	1N40025 V30770	X	X

X: NOT USED
 O: USED / APPLICABLE

★ All voltage are measured with a 10M Ω DC electric volt meter.
 ★ Components having special characteristics are marked △ and must be replaced with parts having specifications equal to those originally installed.
 ★ Schematic diagram is subject to change without notice.

● 電圧は、内部抵抗10MΩの電圧計で測定したものです。
 ● △印のある部品は、安全性確保部品を示しています。部品の交換が必要な場合、パーツリストに記載されている部品を使用してください。
 ● 本回路図は標準回路図です。改良のため予告なく変更することがございます。

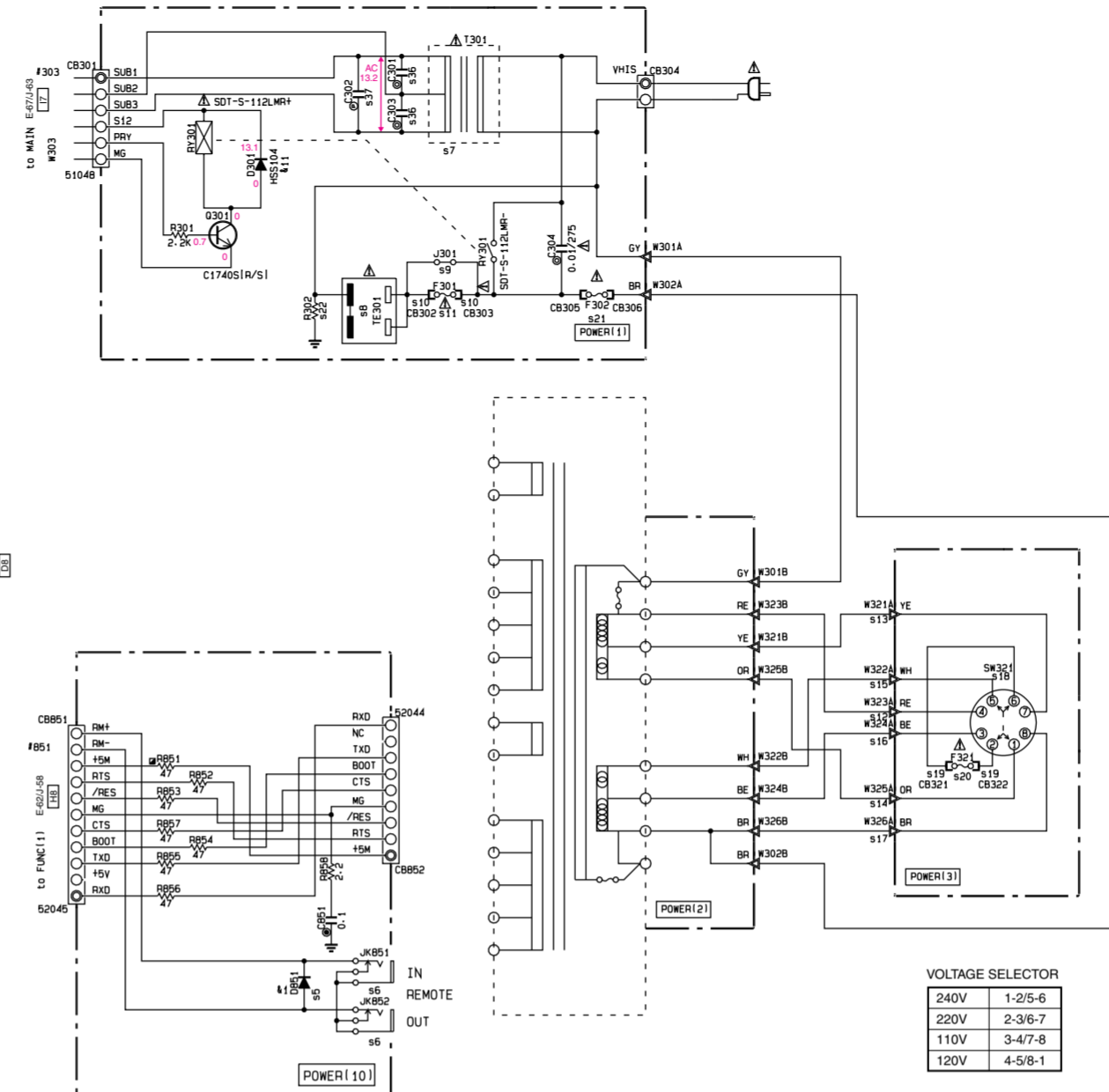
SCHEMATIC DIAGRAM (POWER)

REMARKS	PARTS NAME
NO MARK	CARBON FILM RESISTOR (P=5)
△	CARBON FILM RESISTOR (P=10)
□	METAL OXIDE FILM RESISTOR
▢	METAL FILM RESISTOR
■	METAL PLATE RESISTOR
◆	FIRE PROOF CARBON FILM RESISTOR
◇	CEMENT MOLDED RESISTOR
○	SEMI-VARIABLE RESISTOR
◎	CHIP RESISTOR

REMARKS	PARTS NAME
NO MARK	ELECTROLYTIC CAPACITOR
⊗	TANTALUM CAPACITOR
⊙	CERAMIC CAPACITOR
⊖	CERAMIC TUBULAR CAPACITOR
⊕	POLYESTER FILM CAPACITOR
⊖	POLYSTYRENE FILM CAPACITOR
⊕	MICA CAPACITOR
⊖	POLYPROPYLENE FILM CAPACITOR
⊕	SEMICONDUCTIVE CERAMIC CAPACITOR
⊖	POLYPHENYLENE SULFIDE FILM CAPACITOR

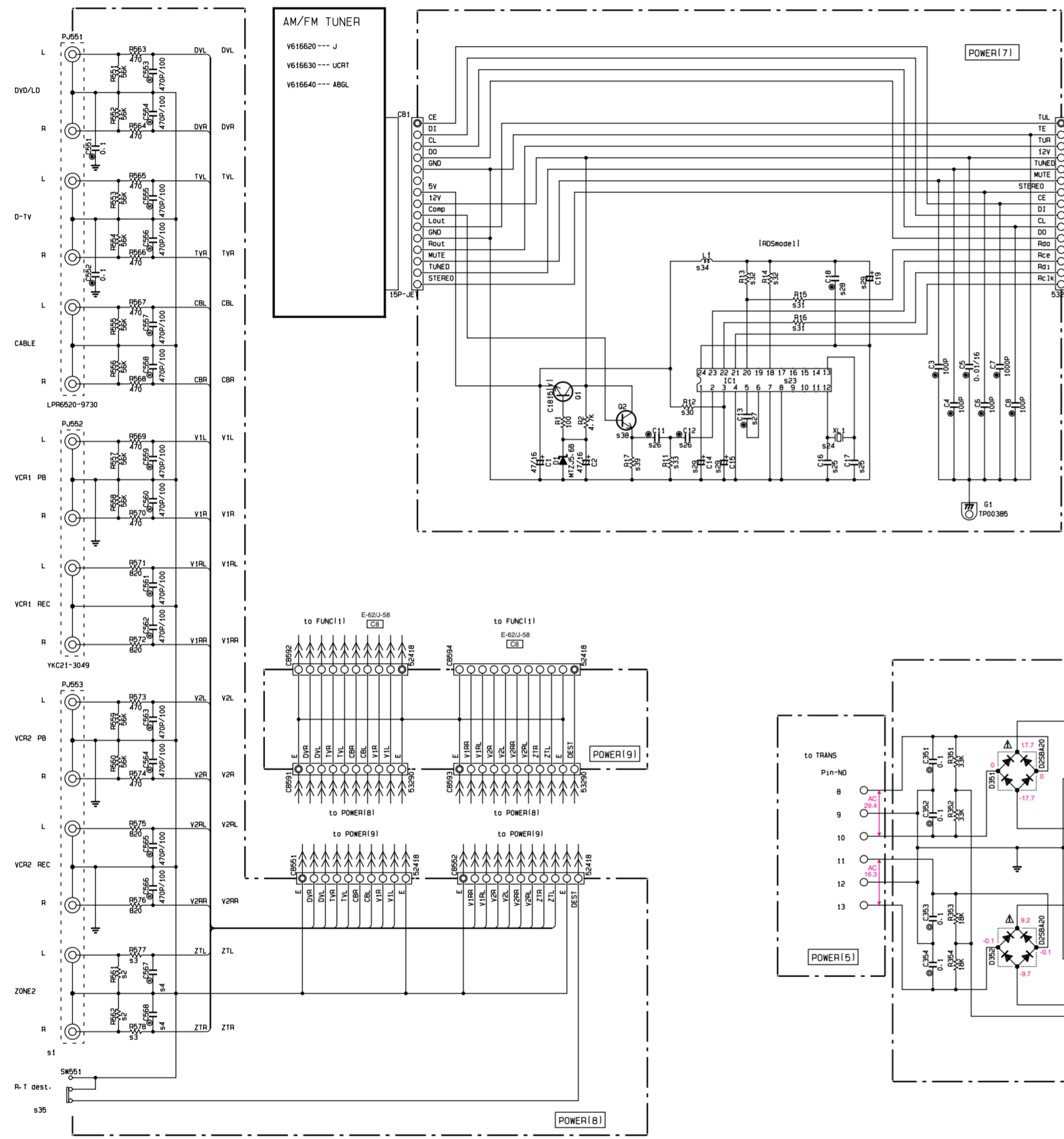
NOTICE (model)
 (J)..... JAPANESE
 (U)..... U.S.A.
 (C)..... CANADIAN
 (R)..... GENERAL
 (A)..... AUSTRALIAN
 (B)..... BRITISH
 (G)..... EUROPEAN
 (T)..... CHINA
 (L)..... SINGAPORE

POWER RELAY



Interchangeable Parts at Manufacture Stage

Mark	Reference Parts Number	Parts Name
K11	D301-801	HS133 HS136 HS104
K12		
K13		
K14		
K15		
K16		

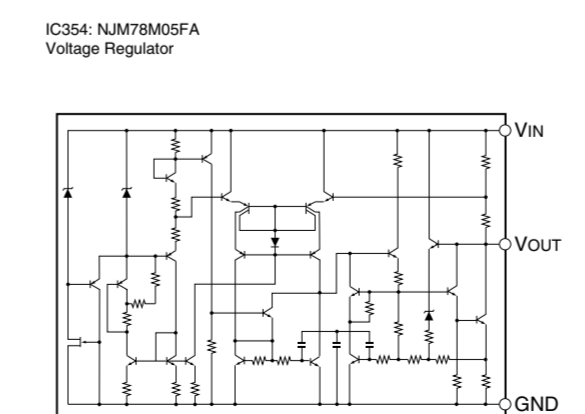
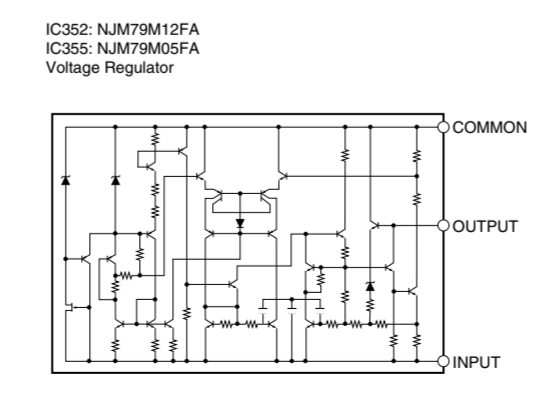
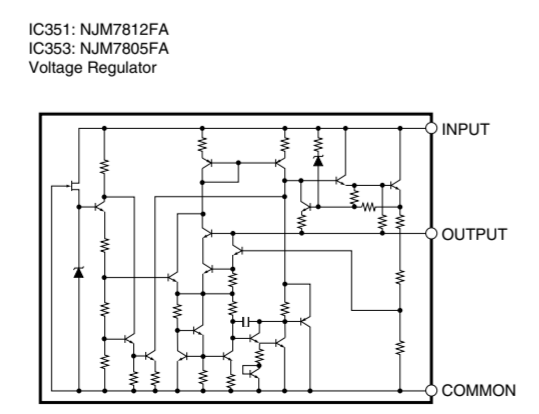
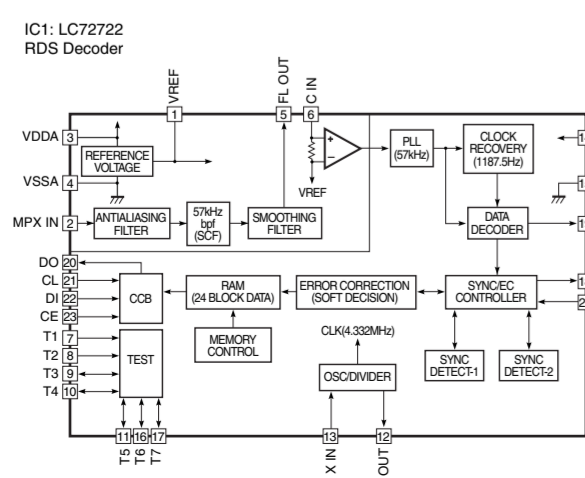


VOLTAGE SELECTOR

240V	1-2/5-6
220V	2-3/6-7
110V	3-4/7-8
120V	4-5/8-1

	J	U-C	R-T	A	B	G	L
51	PJ553	VJ6930	VJ69780	VJ6930	VJ6930	VJ6930	VJ6930
52	R561-562	X	56K	HF49756	X	X	X
53	R577-578	X	470	HF49547	X	X	X
54	C567-568	X	470P/100	UF65247	X	X	X
55	O851	X	V063160	X	V063160	X	X
56	JK951-952	X	VJ2680	X	VJ2680	X	X
57	T301	XZ227	XZ228	XZ229	XZ230	XZ231	XZ231
58	TE301	VU54310	VU54310	V586740	VY191500	VU54340	VU54340
59	J301	O	O	O	O	O	X
60	CB302-303	X	X	X	X	X	VP20650 VP20650
61	F301	X	X	X	X	X	T2.5A/250V V134290
62	W323	X	X	M062625	X	X	X
63	W321	X	X	M04625	X	X	X
64	W325	X	X	M03625	X	X	X
65	W322	X	X	M09625	X	X	X
66	W324	X	X	M06625	X	X	X
67	W326	X	X	M01625	X	X	X
68	SW321	X	X	YA95180	X	X	X
69	CB321-322	X	X	VP20650	X	X	X
70	F321	X	X	T44L250V K800079	X	X	X
71	F302	BA125V V582330	BA125V V582330	T44L250V K800079	T44L250V K800079	T44L250V K800079	T44L250V K800079
72	R302	X	1/2W/0.2M M303922	X	X	X	X
73	IC1	X	X	X	LC72722 Y153440	LC72722 Y153440	X
74	XL1	X	X	X	4.330MΩ V303900	4.330MΩ V303900	X
75	C16-17	X	X	X	27PCH VA76110	27PCH VA76110	X
76	C11-12	X	X	X	330P V027880	330P V027880	X
77	C13	X	X	X	56P V027880	56P V027880	X
78	C18	X	X	X	0.047/16 VJ59900	0.047/16 VJ59900	X
79	C14-15-19	X	X	X	47/16 LU13747	47/16 LU13747	X
80	R12	X	X	X	100 HF49510	100 HF49510	X
81	R15-16	X	X	X	470 HF49547	470 HF49547	X
82	R13-14	X	X	X	10K HF49710	10K HF49710	X
83	R11	X	X	X	20K HF49722	20K HF49722	X
84	L1	X	X	X	220μH Y154610	220μH Y154610	X
85	SW551	X	X	X	SS029P P30326L6-PA6 Y181170	X	X
86	C301-303	X	X	X	0.01 V171670	X	X
87	C302	0.01/100 VL88460	0.01/100 VL88460	X	0.01/100 VL88460	0.01/100 VL88460	0.01/100 VL88460
88	O2	X	X	X	C174051R/S IC17402	C174051R/S IC17402	X
89	R17	X	X	X	3.3K HF49633	3.3K HF49633	X

X: NOT USED
 O: USED/ APPLICABLE



★ All voltage are measured with a 10M Ω DC electric volt meter.
 ★ Components having special characteristics are marked with a triangle symbol and must be replaced with parts having specifications equal to those originally installed.
 ★ Schematic diagram is subject to change without notice.

● 電圧は、内部抵抗10MΩの電圧計で測定したものです。
 ● 印のある部品は、安全性確保部品を示しています。部品の交換が必要な場合、パーツリストに記載されている部品を使用してください。
 ● 本回路図は標準回路図です。改良のため予告なく変更することがあります。

PARTS LIST

■ ELECTRICAL PARTS

■ WARNING

Components having special characteristics are marked Δ and must be replaced with parts having specifications equal to those originally installed.

- Carbon resistors (1/6W or 1/4W) are not included in the ELECTRICAL PARTS List. For the parts No. of the carbon resistors, refer to last page.

ABBREVIATIONS IN THIS LIST ARE AS FOLLOWS:

C.A.EL.CHP	: CHIP ALUMI.ELECTROLYTIC CAP	L.EMIT	: LIGHT EMITTING MODULE
C.CE	: CERAMIC CAP	LED.DSPLY	: LED DISPLAY
C.CE.ARRAY	: CERAMIC CAP ARRAY	LED.INFRD	: LED,INFRARED
C.CE.CHP	: CHIP CERAMIC CAP	MODUL.RF	: MODULATOR,RF
C.CE.ML	: MULTILAYER CERAMIC CAP	PHOT.CPL	: PHOTO COUPLER
C.CE.M.CHP	: CHIP MULTILAYER CERAMIC CAP	PHOT.INTR	: PHOTO INTERRUPTER
C.CE.SAFTY	: RECOGNIZED CERAMIC CAP	PHOT.RFLCT	: PHOTO REFLECTOR
C.CE.TUBLR	: CERAMIC TUBULAR CAP	PIN.TEST	: PIN,TEST POINT
C.CE.SMI	: SEMI CONDUCTIVE CERAMIC CAP	PLST.RIVET	: PLASTIC RIVET
C.EL	: ELECTROLYTIC CAP	R.ARRAY	: RESISTOR ARRAY
C.MICA	: MICA CAP	R.CAR.	: CARBON RESISTOR
C.ML.FLM	: MULTILAYER FILM CAP	R.CAR.CHP	: CHIPRESISTOR
C.MP	: METALLIZED PAPER CAP	R.CAR.FP	: FLAME PROOF CARBON RESISTOR
C.MYLAR	: MYLAR FILM CAP	R.FUS	: FUSABLE RESISTOR
C.MYLAR.ML	: MULTILAYER MYLAR FILM CAP	R.MTL.CHP	: CHIP METAL FILM RESISTOR
C.PAPER	: PAPER CAPACITOR	R.MTL.FLM	: METAL FILM RESISTOR
C.PLS	: POLYSTYRENE FILM CAP	R.MTL.OXD	: METAL OXIDE FILM RESISTOR
C.POL	: POLYESTER FILM CAP	R.MTL.PLAT	: METAL PLATE RESISTOR
C.POLY	: POLYETHYLENE FILM CAP	RSNR.CE	: CERAMIC RESONATOR
C.PP	: POLYPROPYLENE FILM CAP	RSNR.CRYS	: CRYSTAL RESONATOR
C.TNTL	: TANTALUM CAP	R.TW.CEM	: TWIN CEMENT FIXED RESISTOR
C.TNTL.CHP	: CHIP TANTALUM CAP	R.WW	: WIRE WOUND RESISTOR
C.TRIM	: TRIMMER CAP	SCR.BND.HD	: BIND HEAD B-TITE SCREW
CN	: CONNECTOR	SCR.BW.HD	: BW HEAD TAPPING SCREW
CN.BS.PIN	: CONNECTOR,BASE PIN	SCR.CUP	: CUP TITE SCREW
CN.CANNON	: CONNECTOR,CANNON	SCR.TERM	: SCREW TERMINAL
CN.DIN	: CONNECTOR,DIN	SCR.TR	: SCREW,TRANSISTOR
CN.FLAT	: CONNECTOR,FLAT CABLE	SUPRT.PCB	: SUPPORT,P.C.B.
CN.POST	: CONNECTOR,BASE POST	SURG.PRTCT	: SURGE PROTECTOR
COIL.MX.AM	: COIL,AM MIX	SW.TACT	: TACT SWITCH
COIL.AT.FM	: COIL,FM ANTENNA	SW.LEAF	: LEAF SWITCH
COIL.DT.FM	: COIL,FM DETECT	SW.LEVER	: LEVER SWITCH
COIL.MX.FM	: COIL,FM MIX	SW.MICRO	: MICRO SWITCH
COIL.OUTPT	: OUTPUT COIL	SW.PUSH	: PUSH SWITCH
DIOD.ARRAY	: DIODE ARRAY	SW.RT.ENC	: ROTARY ENCODER
DIODE.BRG	: DIODE BRIDGE	SW.RT.MTR	: ROTARY SWITCH WITH MOTOR
DIODE.CHP	: CHIP DIODE	SW.RT	: ROTARY SWITCH
DIODE.VAR	: VARACTOR DIODE	SW.SLIDE	: SLIDE SWITCH
DIOD.Z.CHP	: CHIP ZENER DIODE	TERM.SP	: SPEAKER TERMINAL
DIODE.ZENR	: ZENER DIODE	TERM.WRAP	: WRAPPING TERMINAL
DSCR.CE	: CERAMIC DISCRIMINATOR	THRMST.CHP	: CHIP THERMISTOR
FER.BEAD	: FERRITE BEADS	TR.CHP	: CHIP TRANSISTOR
FER.CORE	: FERRITE CORE	TR.DGT	: DIGITAL TRANSISTOR
FET.CHP	: CHIP FET	TR.DGT.CHP	: CHIP DIGITAL TRANSISTOR
FL.DSPLY	: FLUORESCENT DISPLAY	TRANS	: TRANSFORMER
FLTR.CE	: CERAMIC FILTER	TRANS.PULS	: PULSE TRANSFORMER
FLTR.COMB	: COMB FILTER MODULE	TRANS.PWR	: POWER TRANSFORMER ASS'Y
FLTR.LC.RF	: LC FILTER,EMI	TUNER.AM	: TUNER PACK,AM
GND.MTL	: GROUND PLATE	TUNER.FM	: TUNER PACK,FM
GND.TERM	: GROUND TERMINAL	TUNER.PK	: FRONT-ENDTUNER PACK
HOLDER.FUS	: FUSE HOLDER	VR	: ROTARY POTENTIOMETER
IC.PRTCT	: IC PROTECTOR	VR.MTR	: POTENTIOMETER WITH MOTOR
JUMPER.CN	: JUMPER CONNECTOR	VR.SW	: POTENTIOMETER WITH ROTARY SW
JUMPER.TST	: JUMPER,TEST POINT	VR.SLIDE	: SLIDE POTENTIOMETER
L.DTCT	: LIGHT DETECTING MODULE	VR.TRIM	: TRIMMER POTENTIOMETER

Note) Those parts marked with “#” are not included in the P.C.B. ass'y.

P.C.B. FUNCTION

Schm Ref.	PART NO.	Description		
	V6241500	P. C. B.	FUNCTION(UC)	
	V6241600	P. C. B.	FUNCTION(RT)	
	V6241700	P. C. B.	FUNCTION(AL)	
	V6241800	P. C. B.	FUNCTION(BG)	
CB501	VQ963100	CN. BS. PIN	10P	
CB502	VQ048000	CN. BS. PIN	31P	
CB503	VQ963200	CN. BS. PIN	11P	
CB505	VQ961800	CN. BS. PIN	15P	
CB507	VF982300	CN. BS. PIN	17P	
CB508	VQ044500	CN. BS. PIN	11P	
CB509	VM859500	CN. BS. PIN	11P	
CB510	VN066500	CN. BS. PIN	12P	
CB511	VQ044500	CN. BS. PIN	11P	
CB512	Vi878700	CN. BS. PIN	9P	
CB513	VQ047300	CN. BS. PIN	12P	
CB514	VQ044900	CN. BS. PIN	19P	
W504	VZ32210	CN. ASS'Y	2P	
C501	US135100	C. CE. CHP	0. 1uF	16V
C502	VD930900	C. CE. SMI	0. 1uF	25V
C503	UP652220	C. POL	220pF	100V (ALBG)
C504	UP652220	C. POL	220pF	100V (ALBG)
C505	UP652470	C. POL	470pF	100V
C506	UP652470	C. POL	470pF	100V
C507	UP652470	C. POL	470pF	100V
C508	UP652470	C. POL	470pF	100V
C509	UP652470	C. POL	470pF	100V
C510	UP652470	C. POL	470pF	100V
C511	UP652470	C. POL	470pF	100V
C512	UP652470	C. POL	470pF	100V
C513	UP652470	C. POL	470pF	100V
C514	UP652470	C. POL	470pF	100V
C515	UU166100	C. EL	1uF	50V
C516	UP652220	C. POL	220pF	100V
C517	UU118220	C. EL	220uF	6. 3V
C518	UP652220	C. POL	220pF	100V
C519	UU118220	C. EL	220uF	6. 3V
C520	UU166100	C. EL	1uF	50V
C521	UP652470	C. POL	470pF	100V
C522	UP652470	C. POL	470pF	100V
C523	UU166470	C. EL	4. 7uF	50V
C524	UP652470	C. POL	470pF	100V
C525	UP652470	C. POL	470pF	100V
C526	UU166470	C. EL	4. 7uF	50V
C527	UP652470	C. POL	470pF	100V
C528	UP652470	C. POL	470pF	100V
C529	UU166470	C. EL	4. 7uF	50V
C534	UU147100	C. EL	10uF	25V
C535	UA653100	C. MYLAR	1000pF	50V
C536	UA654390	C. MYLAR	0. 039uF	50V
C537	UA654110	C. MYLAR	0. 011uF	50V
C538	UA654390	C. MYLAR	0. 039uF	50V
C539	UA654110	C. MYLAR	0. 011uF	50V
C540	UA653100	C. MYLAR	1000pF	50V
C541	UU147100	C. EL	10uF	25V
C542	UU147100	C. EL	10uF	25V
C543	UU137470	C. EL	47uF	16V
C544	UU137470	C. EL	47uF	16V
C545	UU147100	C. EL	10uF	25V
C546	UU147100	C. EL	10uF	25V
C551	UU138100	C. EL	100uF	16V
C552	UU138100	C. EL	100uF	16V
C553	UU166470	C. EL	4. 7uF	50V
C554	UU166470	C. EL	4. 7uF	50V

* New Parts

Schm Ref.	PART NO.	Description		
C555	UP652100	C. POL	100pF	100V
C556	UP652100	C. POL	100pF	100V
C557	UU166470	C. EL	4. 7uF	50V
C558	UU166470	C. EL	4. 7uF	50V
C559	UU147100	C. EL	10uF	25V
C560	UU147100	C. EL	10uF	25V
C561	UU147100	C. EL	10uF	25V
C562	UU147100	C. EL	10uF	25V
C563	UU137470	C. EL	47uF	16V
C564	UU137470	C. EL	47uF	16V
C565	UU137220	C. EL	22uF	16V
C566	UP654270	C. POL	0. 027uF	100V
C567	UP654270	C. POL	0. 027uF	100V
C568	UU137220	C. EL	22uF	16V
C573	US135100	C. CE. CHP	0. 1uF	16V
C574	UU166220	C. EL	2. 2uF	50V (UCAL)
C575	US135100	C. CE. CHP	0. 1uF	16V
C576	UP654270	C. POL	0. 027uF	100V
C577	UP652100	C. POL	100pF	100V
C578	UP652100	C. POL	100pF	100V
C579	UP654270	C. POL	0. 027uF	100V
C580	UU137470	C. EL	47uF	16V
C581	UU137470	C. EL	47uF	16V
C582	UU147100	C. EL	10uF	25V
C583	UU147100	C. EL	10uF	25V
C584	UU147100	C. EL	10uF	25V
C585	UU147100	C. EL	10uF	25V
C586	US135100	C. CE. CHP	0. 1uF	16V
C587	UU137470	C. EL	47uF	16V
C588	UU147100	C. EL	10uF	25V
C589	US135100	C. CE. CHP	0. 1uF	16V
C590	UU147100	C. EL	10uF	25V
C591	UU147100	C. EL	10uF	25V
C592	US135100	C. CE. CHP	0. 1uF	16V
C593	UU147100	C. EL	10uF	25V
C594	UU147100	C. EL	10uF	25V
C595	US135100	C. CE. CHP	0. 1uF	16V
C596	UU147100	C. EL	10uF	25V
C600	US135100	C. CE. CHP	0. 1uF	16V
C601	US135100	C. CE. CHP	0. 1uF	16V
C602	US135100	C. CE. CHP	0. 1uF	16V
C603	US063100	C. CE. M. CHP	1000pF	50V
C605	US135100	C. CE. CHP	0. 1uF	16V
C606	US135100	C. CE. CHP	0. 1uF	16V
C607	UU165470	C. EL	0. 47uF	50V
C608	US135100	C. CE. CHP	0. 1uF	16V
C609	UP652100	C. POL	100pF	100V
C610	US135100	C. CE. CHP	0. 1uF	16V
C611	UP652100	C. POL	100pF	100V
C612	UU147100	C. EL	10uF	25V
C613	UU147100	C. EL	10uF	25V
C614	US135100	C. CE. CHP	0. 1uF	16V
C615	UU147100	C. EL	10uF	25V
C616	UU147100	C. EL	10uF	25V
C617	US135100	C. CE. CHP	0. 1uF	16V
C618	US135100	C. CE. CHP	0. 1uF	16V
C619	UP652100	C. POL	100pF	100V
C620	UP652100	C. POL	100pF	100V
C621	US135100	C. CE. CHP	0. 1uF	16V
C624	US135100	C. CE. CHP	0. 1uF	16V
C625	US135100	C. CE. CHP	0. 1uF	16V
C626	UU137470	C. EL	47uF	16V
C627	UU137470	C. EL	47uF	16V

* New Parts

P.C.B. FUNCTION

Schm Ref.	PART NO.	Description		
* C628	UU147100	C.EL	10uF	25V
* C629	UU147100	C.EL	10uF	25V
* C631	UR848470	C.EL	470uF	25V
C632	UU137470	C.EL	47uF	16V
* C633	VT740700	BACK UP .C	0.047F	5.5V
* C634	US135100	C.CE.CHP	0.1uF	16V
C635	UU137470	C.EL	47uF	16V
C636	UU137470	C.EL	47uF	16V
* C637	UP652100	C.POL	100pF	100V
C638	UU137470	C.EL	47uF	16V
C639	UU137470	C.EL	47uF	16V
* C640	UP652100	C.POL	100pF	100V
* C641	UU118100	C.EL	100uF	6.3V
* C642	US135100	C.CE.CHP	0.1uF	16V
* C643	UU118100	C.EL	100uF	6.3V
* C644	US135100	C.CE.CHP	0.1uF	16V
* C645	UU119100	C.EL	1000uF	6.3V
* C646	US135100	C.CE.CHP	0.1uF	16V
* C647	UU119100	C.EL	1000uF	6.3V
* C648	UU137470	C.EL	47uF	16V
* C649	UU137470	C.EL	47uF	16V
* C650	UU147100	C.EL	10uF	25V
* C651	UU147100	C.EL	10uF	25V
* C652	UP652100	C.POL	100pF	100V
* C653	UU147100	C.EL	10uF	25V
* C654	UU147100	C.EL	10uF	25V
* C655	US135100	C.CE.CHP	0.1uF	16V
* C656	US135100	C.CE.CHP	0.1uF	16V
* C658	UU166220	C.EL	2.2uF	50V
* C659	UU166220	C.EL	2.2uF	50V
* C660	UU166220	C.EL	2.2uF	50V
* C661	UU166220	C.EL	2.2uF	50V
* C662	UU118100	C.EL	100uF	6.3V
* C663	UU166220	C.EL	2.2uF	50V
* C664	UU166220	C.EL	2.2uF	50V
* C665	US135100	C.CE.CHP	0.1uF	16V
* C666	US063100	C.CE.M.CHP	1000pF	50V
* C667	US063100	C.CE.M.CHP	1000pF	50V
* C668	US135100	C.CE.CHP	0.1uF	16V
* C670	US135100	C.CE.CHP	0.1uF	16V(UC)
* C671	US135100	C.CE.CHP	0.1uF	16V(UC)
* C672	US135100	C.CE.CHP	0.1uF	16V(UC)
D501	VV220700	DIODE.SHOT	RB501V-40	
D502	VV220700	DIODE.SHOT	RB501V-40	
D503	VV220700	DIODE.SHOT	RB501V-40	
D504	VV220700	DIODE.SHOT	RB501V-40	
D505	VV220700	DIODE.SHOT	RB501V-40	
D506	VV220700	DIODE.SHOT	RB501V-40	
D507	VV220700	DIODE.SHOT	RB501V-40	
D508	VV220700	DIODE.SHOT	RB501V-40	
D509	VV220700	DIODE.SHOT	RB501V-40	
D510	VV220700	DIODE.SHOT	RB501V-40	
D511	VV220700	DIODE.SHOT	RB501V-40	
D512	VV220700	DIODE.SHOT	RB501V-40	
D517	VD631600	DIODE	1SS133,176	
D518	VG438200	DIODE.ZENR	MTZJ6.8A	6.8V
D519	VT332900	DIODE	1SS355	
D520	VD631600	DIODE	1SS133,176	
D521	VD631600	DIODE	1SS133,176	
D522	VD631600	DIODE	1SS133,176	
D523	VT332900	DIODE	1SS355	
D524	VG437700	DIODE.ZENR	MTZJ5.6B	5.6V
D525	VG437700	DIODE.ZENR	MTZJ5.6B	5.6V

* New Parts

Schm Ref.	PART NO.	Description		
D526	VT332900	DIODE	1SS355	
D527	VG437300	DIODE.ZENR	MTZJ5.1A	5.1V
D528	VT332900	DIODE	1SS355	
D530	VG437300	DIODE.ZENR	MTZJ5.1A	5.1V
IC501	XJ553A00	IC	NJM2068MD	
IC502	XP895A00	IC	LC78212	
IC503	XP894A00	IC	LC78211	
IC506	XF291A00	IC	uPC4570G2	
IC507	XF291A00	IC	uPC4570G2	
IC511	XF291A00	IC	uPC4570G2	
IC512	XP894A00	IC	LC78211	
IC513	XF291A00	IC	uPC4570G2	
IC514	XF291A00	IC	uPC4570G2	
IC515	XF291A00	IC	uPC4570G2	
* IC516	XW173A00	IC	CS3310-KS	
* IC518	XW173A00	IC	CS3310-KS	
* IC519	XW173A00	IC	CS3310-KS	
IC521	XF291A00	IC	uPC4570G2	
IC522	XP896A00	IC	LC78213	
IC523	XF291A00	IC	uPC4570G2	
IC524	XF291A00	IC	uPC4570G2	
IC525	XF291A00	IC	uPC4570G2	
* IC526	XY892A00	IC.CPU	M30802SGP CPU	
* IC527	XZ450B00	IC	MBM29F400BC-70	
IC528	XA507A00	IC	AN78N05	
PJ501	V3855600	JACK.PIN	4P	
PJ502	V3855600	JACK.PIN	4P	
* PJ503	V4198900	JACK.PIN	4P	LPR6520-B71
PJ504	V4199200	JACK.PIN	6P	
PN501	V3750200	PIN	L=70	
Q501	VD303700	TR	2SC3326 A,B	
Q502	VD303700	TR	2SC3326 A,B	
Q503	VD303700	TR	2SC3326 A,B	
Q504	VD303700	TR	2SC3326 A,B	
Q505	VD303700	TR	2SC3326 A,B(UCAL)	
Q506	VD303700	TR	2SC3326 A,B(UCAL)	
Q507	iA103700	TR.CHP	2SA1037 Q,R,S(UCAL)	
Q508	iA103700	TR.CHP	2SA1037 Q,R,S(UCAL)	
Q509	iA103700	TR.CHP	2SA1037 Q,R,S	
Q510	VV655700	TR.DGT	DTC144EKA	
Q511	VP872700	TR	2SC4488 S,T	
Q512	VD303700	TR	2SC3326 A,B	
Q513	VD303700	TR	2SC3326 A,B	
Q514	VP872600	TR	2SA1708 S,T	
Q515	VD303700	TR	2SC3326 A,B	
Q516	VD303700	TR	2SC3326 A,B	
Q517	VD303700	TR	2SC3326 A,B	
Q518	VD303700	TR	2SC3326 A,B	
Q519	VD303700	TR	2SC3326 A,B	
Q520	VD303700	TR	2SC3326 A,B	
Q521	VD303700	TR	2SC3326 A,B	
Q522	VD303700	TR	2SC3326 A,B	
Q523	VD303700	TR	2SC3326 A,B	
Q524	VD303700	TR	2SC3326 A,B	
Q525	VD303700	TR	2SC3326 A,B	
Q526	VD303700	TR	2SC3326 A,B	
Q527	VD303700	TR	2SC3326 A,B	
Q528	VD303700	TR	2SC3326 A,B	
Q531	iA103700	TR.CHP	2SA1037 Q,R,S	
Q532	iA103700	TR.CHP	2SA1037 Q,R,S	
Q533	iA103700	TR.CHP	2SA1037 Q,R,S	
Q534	iA103700	TR.CHP	2SA1037 Q,R,S	
Q535	iA103700	TR.CHP	2SA1037 Q,R,S	

* New Parts

P.C.B. FUNCTION & P.C.B. OPERATION

Schm Ref.	PART NO.	Description		
Q536	iA103700	TR. CHP	2SA1037 Q,R,S	
Q537	iA103700	TR. CHP	2SA1037 Q,R,S	
Q538	iA103700	TR. CHP	2SA1037 Q,R,S	
Q539	iA103700	TR. CHP	2SA1037 Q,R,S	
Q540	iA103700	TR. CHP	2SA1037 Q,R,S	
Q541	iA103700	TR. CHP	2SA1037 Q,R,S	
Q542	iA103700	TR. CHP	2SA1037 Q,R,S	
Q543	iA103700	TR. CHP	2SA1037 Q,R,S	
Q544	iA103700	TR. CHP	2SA1037 Q,R,S	
Q545	VV655700	TR. DGT	DTC144EKA	
R567	HV755100	R. CAR. FP	100	1/4W
R568	HV755100	R. CAR. FP	100	1/4W
R650	HV753220	R. CAR. FP	2.2	1/4W
R651	HV753220	R. CAR. FP	2.2	1/4W
R672	HV754100	R. CAR. FP	10	1/4W
R722	HV753220	R. CAR. FP	2.2	1/4W
R723	HV753220	R. CAR. FP	2.2	1/4W
R817	HV753220	R. CAR. FP	2.2	1/4W
ST501	BB071360	SCR. TERM	8.3x13	
ST502	BB071360	SCR. TERM	8.3x13	
XL501	VT630600	RSNR. CE	16MHz	CST
	V6292000	P. C. B.	OPERATION(RLT)	
	V6292100	P. C. B.	OPERATION(UCA)	
	V6292200	P. C. B.	OPERATION(BG)	
CB801	VM973500	CN. BS. PIN	17P	
CB802	Vi878200	CN. BS. PIN	4P	
CB901	Vi878500	CN. BS. PIN	7P	
CB902	VQ044900	CN. BS. PIN	19P	
CB941	Vi878100	CN. BS. PIN	3P	
CB961	VK026200	CN. BS. PIN	3P	
CB962	VK026600	CN. BS. PIN	7P	
CB971	V5478200	CN. PHOT. SN	1P	GP1FA551RZ
CB972	VQ044500	CN. BS. PIN	11P	
CB973	Vi878200	CN. BS. PIN	4P	
CB974	VB389800	CN. BS. PIN	2P	
C801	UU137470	C. EL	47uF	16V
C802	UU137470	C. EL	47uF	16V
C803	UU137470	C. EL	47uF	16V
C804	UU137470	C. EL	47uF	16V
C805	UU165100	C. EL	0.1uF	50V
C806	UU165100	C. EL	0.1uF	50V
C807	UU165100	C. EL	0.1uF	50V
C808	UU165100	C. EL	0.1uF	50V
C809	UU166100	C. EL	1uF	50V
C810	UU166100	C. EL	1uF	50V
C811	UU166220	C. EL	2.2uF	50V
C812	UU166220	C. EL	2.2uF	50V
C813	VQ645600	C. MYLAR	100pF	50V
C814	VQ645600	C. MYLAR	100pF	50V
C815	UU137470	C. EL	47uF	16V
C816	UU137470	C. EL	47uF	16V
C817	UA655120	C. MYLAR	0.12uF	50V
C818	UA655120	C. MYLAR	0.12uF	50V
C819	UA954330	C. MYLAR	0.033uF	50V
C820	UA954330	C. MYLAR	0.033uF	50V
C821	UU137100	C. EL	10uF	16V
C822	UU137100	C. EL	10uF	16V
C823	UU137470	C. EL	47uF	16V
C824	UU137470	C. EL	47uF	16V
C825	UU137100	C. EL	10uF	16V

* New Parts

Schm Ref.	PART NO.	Description		
C826	UU137100	C. EL	10uF	16V
C827	UA952100	C. MYLAR	100pF	50V
C828	UA952100	C. MYLAR	100pF	50V
C829	UA952100	C. MYLAR	100pF	50V
C830	UA952100	C. MYLAR	100pF	50V
C831	UU137470	C. EL	47uF	16V
C832	UU137470	C. EL	47uF	16V
C833	VG276600	C. CE. TUBLR	22pF	50V
C834	VG276600	C. CE. TUBLR	22pF	50V
C835	UU139100	C. EL	1000uF	16V
C836	UU139100	C. EL	1000uF	16V
C837	UA655120	C. MYLAR	0.12uF	50V
C838	UA655120	C. MYLAR	0.12uF	50V
C901	VJ599100	C. CE. TUBLR	0.1uF	50V
C902	VJ599100	C. CE. TUBLR	0.1uF	50V
C903	VJ599100	C. CE. TUBLR	0.1uF	50V
C904	VJ599100	C. CE. TUBLR	0.1uF	50V
C905	UM388100	C. EL	100uF	10V
C906	VJ599100	C. CE. TUBLR	0.1uF	50V
C907	VG277000	C. CE. TUBLR	33pF	50V
C908	VJ599100	C. CE. TUBLR	0.1uF	50V
C909	VJ599100	C. CE. TUBLR	0.1uF	50V
C910	V6295600	C. EL	330uF	6.3V
C911	VJ599100	C. CE. TUBLR	0.1uF	50V
C912	VJ599100	C. CE. TUBLR	0.1uF	50V
C913	VF467000	C. CE. TUBLR	1000pF	50V
C914	VF467000	C. CE. TUBLR	1000pF	50V
C961	VJ599100	C. CE. TUBLR	0.1uF	50V
C971	VJ599100	C. CE. TUBLR	0.1uF	50V
C972	UR837470	C. EL	47uF	16V
C973	VF466900	C. CE. TUBLR	470pF	50V
C974	VF466900	C. CE. TUBLR	470pF	50V
C975	VJ599100	C. CE. TUBLR	0.1uF	50V
C976	VJ599100	C. CE. TUBLR	0.1uF	50V
C977	UA953100	C. MYLAR	1000pF	50V
C978	UA953100	C. MYLAR	1000pF	50V
C979	UA954100	C. MYLAR	0.01uF	50V
C980	UA953100	C. MYLAR	1000pF	50V
C981	VJ599100	C. CE. TUBLR	0.1uF	50V
C982	VJ599100	C. CE. TUBLR	0.1uF	50V
C983	VJ599100	C. CE. TUBLR	0.1uF	50V
C985	VJ599100	C. CE. TUBLR	0.1uF	50V
D801	VG439100	DIODE. ZENR	MTZJ9.1A	9.1V
D802	VG439100	DIODE. ZENR	MTZJ9.1A	9.1V
D803	VU264100	DIODE	1SR139-400	
D804	VU264100	DIODE	1SR139-400	
D901	VM974700	DIODE. ZENR	HZS7B2TD	7.0V
D902	V2598200	LED	S1R-505ST(UCA)	
D971	VG439100	DIODE. ZENR	MTZJ9.1A	9.1V
D972	VD631600	DIODE	1SS133,176	
D973	VD631600	DIODE	1SS133,176	
G961	VR463400	TERM. GND	D3.5	TP00385
IC801	iG001270	IC	TC4066BP	
IC802	XM356A00	IC	NJM2068LD	
IC803	XM356A00	IC	NJM2068LD	
IC804	XP844A00	IC	NJM4556AL	
IC901	XR188A00	IC	LC75710NE(UCARTL)	
IC901	XV160A00	IC	LC75712E FLD(BG)	
JK971	V2589500	CN	1P	
JK972	V6268100	JACK. PHONE	YKB21-XXXX	
L971	V2726500	COIL	68uH	
PJ971	V6222800	JACK. PIN	RJ-1086-13-0500A	
PN901	V3750200	PIN	L=70	

* New Parts

P.C.B. OPERATION & P.C.B. DSP

Schm Ref.	PART NO.	Description	
Q801	VG721700	TR. DGT	DTA144ES
Q802	VG722000	TR. DGT	DTC144ES
Q803	VK432900	TR	2SD1915F S,T
Q804	VK432900	TR	2SD1915F S,T
* Q901	VV900500	TR	2SD1991A Q,R,S
* Q902	VV900500	TR	2SD1991A Q,R,S
* Q903	VV900500	TR	2SD1991A Q,R,S
* Q904	VV900500	TR	2SD1991A Q,R,S
* Q905	VV900500	TR	2SD1991A Q,R,S
* Q906	VV900500	TR	2SD1991A Q,R,S
* Q907	VV900500	TR	2SD1991A Q,R,S
* Q908	VV900500	TR	2SD1991A Q,R,S
* Q909	VV900500	TR	2SD1991A Q,R,S
* Q910	VV900500	TR	2SD1991A Q,R,S
Q971	iC174020	TR	2SC1740S R,S
Q972	iA093320	TR	2SA933S Q,R
R803	VP940200	R. MTL. OXD	47 1W
R804	VP940200	R. MTL. OXD	47 1W
R841	VP940600	R. MTL. OXD	220 1W
R842	VP940600	R. MTL. OXD	220 1W
R978	HV755100	R. CAR. FP	100 1/4W
R979	HV755100	R. CAR. FP	100 1/4W
ST971	BB071360	SCR. TERM	8. 3x13
ST972	BB071360	SCR. TERM	8. 3x13
ST973	BB071360	SCR. TERM	8. 3x13
SW901	VG392900	SW. TACT	SKHVAA
SW902	VG392900	SW. TACT	SKHVAA
* SW903	V6322700	SW. RT. ENC	REB161 (9X7)PVB
SW904	VG392900	SW. TACT	SKHVAA
SW905	VG392900	SW. TACT	SKHVAA
SW941	VG392900	SW. TACT	SKHVAA (BG)
SW942	VG392900	SW. TACT	SKHVAA (BG)
SW943	VG392900	SW. TACT	SKHVAA (BG)
SW944	VG392900	SW. TACT	SKHVAA (BG)
SW945	VG392900	SW. TACT	SKHVAA
SW946	VG392900	SW. TACT	SKHVAA
SW947	VG392900	SW. TACT	SKHVAA
SW948	VG392900	SW. TACT	SKHVAA
SW949	VG392900	SW. TACT	SKHVAA
SW950	VG392900	SW. TACT	SKHVAA
SW951	VG392900	SW. TACT	SKHVAA
SW952	VG392900	SW. TACT	SKHVAA
SW953	VG392900	SW. TACT	SKHVAA
SW954	VG392900	SW. TACT	SKHVAA
SW961	VG392900	SW. TACT	SKHVAA
SW962	VS066500	SW. PUSH	SPPH13-W
SW963	VS066500	SW. PUSH	SPPH13-W
SW964	VG392900	SW. TACT	SKHVAA
SW965	VG392900	SW. TACT	SKHVAA
U901	VU591000	L. DTCT	GP1U271X
* V901	V5917600	FL. DSPLY	16-BT-81GK
VR801	VP741800	VR	B20K
* VR802	VP741900	VR	G25K
* V6007100			4. 6/10/32
* V6007000		SHEET	
* V6235400		P. C. B.	DSP
* CB501	V6022800	CN. FBRLINK	1P GP1FA551TZ
* CB502	V6022800	CN. FBRLINK	1P GP1FA551TZ
* CB503	V5478200	CN. PHOT. SN	1P GP1FA551RZ
* CB504	V5478200	CN. PHOT. SN	1P GP1FA551RZ

* New Parts

Schm Ref.	PART NO.	Description	
CB505	V5478200	CN. PHOT. SN	1P GP1FA551RZ
CB506	V5478200	CN. PHOT. SN	1P GP1FA551RZ
CB507	VQ046000	CN. BS. PIN	31P
* C501	US135100	C. CE. CHP	0. 1uF 16V
* C502	US135100	C. CE. CHP	0. 1uF 16V
* C503	US135100	C. CE. CHP	0. 1uF 16V
* C504	US135100	C. CE. CHP	0. 1uF 16V
* C505	US135100	C. CE. CHP	0. 1uF 16V
* C506	US135100	C. CE. CHP	0. 1uF 16V
* C507	US062470	C. CE. M. CHP	470pF 50V
* C508	US135100	C. CE. CHP	0. 1uF 16V
* C509	UR847220	C. EL	22uF 25V
* C510	US061220	C. CE. M. CHP	22pF 50V
* C511	US135100	C. CE. CHP	0. 1uF 16V
* C512	UR847220	C. EL	22uF 25V
* C513	US061220	C. CE. M. CHP	22pF 50V
* C520	US135100	C. CE. CHP	0. 1uF 16V
* C521	UR819100	C. EL	1000uF 6. 3V
* C522	US135100	C. CE. CHP	0. 1uF 16V
* C523	US061100	C. CE. M. CHP	10pF 50V
* C524	US061100	C. CE. M. CHP	10pF 50V
* C528	US135100	C. CE. CHP	0. 1uF 16V
* C529	US061100	C. CE. M. CHP	10pF 50V
* C530	US044220	C. CE. M. CHP	0. 022uF 25V
* C531	US061330	C. CE. M. CHP	33pF 50V
* C532	US063100	C. CE. M. CHP	1000pF 50V
* C533	US062220	C. CE. CHP	220pF 50V
* C534	US063100	C. CE. M. CHP	1000pF 50V
* C535	US062220	C. CE. CHP	220pF 50V
* C536	US063100	C. CE. M. CHP	1000pF 50V
* C544	US135100	C. CE. CHP	0. 1uF 16V
* C545	US135100	C. CE. CHP	0. 1uF 16V
* C546	UR819100	C. EL	1000uF 6. 3V
* C547	UR819100	C. EL	1000uF 6. 3V
* C548	US135100	C. CE. CHP	0. 1uF 16V
* C549	US135100	C. CE. CHP	0. 1uF 16V
* C550	US135100	C. CE. CHP	0. 1uF 16V
* C551	US135100	C. CE. CHP	0. 1uF 16V
* C552	US135100	C. CE. CHP	0. 1uF 16V
* C553	US135100	C. CE. CHP	0. 1uF 16V
* C556	US135100	C. CE. CHP	0. 1uF 16V
* C557	UR818470	C. EL	470uF 6. 3V
* C558	UR818100	C. EL	100uF 6. 3V
* C559	US135100	C. CE. CHP	0. 1uF 16V
* C560	UR819100	C. EL	1000uF 6. 3V
* C561	UR818100	C. EL	100uF 6. 3V
* C562	US135100	C. CE. CHP	0. 1uF 16V
* C563	US135100	C. CE. CHP	0. 1uF 16V
* C564	US061330	C. CE. M. CHP	33pF 50V
* C565	US061330	C. CE. M. CHP	33pF 50V
* C566	UR819100	C. EL	1000uF 6. 3V
* C575	US135100	C. CE. CHP	0. 1uF 16V
* C576	UR818470	C. EL	470uF 6. 3V
* C577	US061470	C. CE. M. CHP	47pF 50V
* C578	US061470	C. CE. M. CHP	47pF 50V
* C579	US061470	C. CE. M. CHP	47pF 50V
* C580	US061470	C. CE. M. CHP	47pF 50V
* C581	US061470	C. CE. M. CHP	47pF 50V
* C582	US061470	C. CE. M. CHP	47pF 50V
* C583	US061470	C. CE. M. CHP	47pF 50V
* C584	UR818100	C. EL	100uF 6. 3V
* C585	US135100	C. CE. CHP	0. 1uF 16V
* C587	US135100	C. CE. CHP	0. 1uF 16V

* New Parts

P.C.B. DSP

Schm Ref.	PART NO.	Description		
* C588	US063470	C. CE. CHP	4700pF	50V
C589	UR818100	C. EL	100uF	6.3V
* C593	US135100	C. CE. CHP	0.1uF	16V
* C594	US135100	C. CE. CHP	0.1uF	16V
* C595	US135100	C. CE. CHP	0.1uF	16V
* C596	US135100	C. CE. CHP	0.1uF	16V
* C597	US135100	C. CE. CHP	0.1uF	16V
* C598	US061470	C. CE. M. CHP	47pF	50V
* C599	US135100	C. CE. CHP	0.1uF	16V
* C600	US135100	C. CE. CHP	0.1uF	16V
* C605	US135100	C. CE. CHP	0.1uF	16V
* C606	UR819100	C. EL	1000uF	6.3V
* C607	US135100	C. CE. CHP	0.1uF	16V
* C608	US135100	C. CE. CHP	0.1uF	16V
* C609	US135100	C. CE. CHP	0.1uF	16V
C610	UR818100	C. EL	100uF	6.3V
* C615	US135100	C. CE. CHP	0.1uF	16V
* C616	UU137470	C. EL	47uF	16V
* C619	US135100	C. CE. CHP	0.1uF	16V
* C620	UU118100	C. EL	100uF	6.3V
C621	UU137470	C. EL	47uF	16V
* C622	US135100	C. CE. CHP	0.1uF	16V
C623	UU137470	C. EL	47uF	16V
* C624	US135100	C. CE. CHP	0.1uF	16V
C625	UU137470	C. EL	47uF	16V
* C626	US135100	C. CE. CHP	0.1uF	16V
* C633	UU147100	C. EL	10uF	25V
C634	UA952680	C. MYLAR	680pF	50V
* C635	US135100	C. CE. CHP	0.1uF	16V
* C636	US135100	C. CE. CHP	0.1uF	16V
* C637	UU166220	C. EL	2.2uF	50V
* C638	US135100	C. CE. CHP	0.1uF	16V
* C639	UU118100	C. EL	100uF	6.3V
* C640	UU147100	C. EL	10uF	25V
C641	UA952150	C. MYLAR	150pF	50V
C642	UA952150	C. MYLAR	150pF	50V
* C643	UU147100	C. EL	10uF	25V
C644	UA952680	C. MYLAR	680pF	50V
* C645	UU147100	C. EL	10uF	25V
C650	V3888000	C. MYLAR	150pF	50V
* C651	UU147100	C. EL	10uF	25V
* C652	US135100	C. CE. CHP	0.1uF	16V
* C653	US135100	C. CE. CHP	0.1uF	16V
* C654	UU147100	C. EL	10uF	25V
C655	V3888000	C. MYLAR	150pF	50V
* C659	UU128100	C. EL	100uF	10V
* C660	US061470	C. CE. M. CHP	47pF	50V
* C661	US061470	C. CE. M. CHP	47pF	50V
* C662	US061470	C. CE. M. CHP	47pF	50V
* C663	US061470	C. CE. M. CHP	47pF	50V
* C664	US061470	C. CE. M. CHP	47pF	50V
* C665	US061470	C. CE. M. CHP	47pF	50V
* C666	US063470	C. CE. CHP	4700pF	50V
C675	UA953150	C. MYLAR	1500pF	50V
C676	UA953150	C. MYLAR	1500pF	50V
* C677	UU147100	C. EL	10uF	25V
* C678	US135100	C. CE. CHP	0.1uF	16V
* C679	US135100	C. CE. CHP	0.1uF	16V
* C680	UU147100	C. EL	10uF	25V
* C681	UU147100	C. EL	10uF	25V
* C682	US135100	C. CE. CHP	0.1uF	16V
* C683	US135100	C. CE. CHP	0.1uF	16V
* C684	UU147100	C. EL	10uF	25V

* New Parts

Schm Ref.	PART NO.	Description		
* C685	UU147100	C. EL	10uF	25V
* C686	US135100	C. CE. CHP	0.1uF	16V
* C687	US135100	C. CE. CHP	0.1uF	16V
* C688	UU147100	C. EL	10uF	25V
C695	UA952100	C. MYLAR	100pF	50V
C696	UA952100	C. MYLAR	100pF	50V
C697	UA952100	C. MYLAR	100pF	50V
C698	UA952100	C. MYLAR	100pF	50V
* C699	UU147100	C. EL	10uF	25V
* C700	UU147100	C. EL	10uF	25V
C701	Vi715100	C. MYLAR	470pF	50V
C702	Vi715100	C. MYLAR	470pF	50V
* C703	UU147100	C. EL	10uF	25V
* C704	UU147100	C. EL	10uF	25V
* C705	UU147100	C. EL	10uF	25V
* C706	UU147100	C. EL	10uF	25V
C707	Vi715100	C. MYLAR	470pF	50V
C708	Vi715100	C. MYLAR	470pF	50V
* C709	UU147100	C. EL	10uF	25V
* C710	UU147100	C. EL	10uF	25V
* C711	UU147100	C. EL	10uF	25V
* C712	UU147100	C. EL	10uF	25V
C713	Vi715100	C. MYLAR	470pF	50V
C714	Vi715100	C. MYLAR	470pF	50V
* C715	UU147100	C. EL	10uF	25V
* C716	UU147100	C. EL	10uF	25V
* C717	US135100	C. CE. CHP	0.1uF	16V
* C718	US061470	C. CE. M. CHP	47pF	50V
* C720	US061470	C. CE. M. CHP	47pF	50V
* C721	US061470	C. CE. M. CHP	47pF	50V
* C722	US061470	C. CE. M. CHP	47pF	50V
* C726	UU137220	C. EL	22uF	16V
* C727	UU147100	C. EL	10uF	25V
* C728	US135100	C. CE. CHP	0.1uF	16V
* C729	UU137220	C. EL	22uF	16V
* C730	UU137470	C. EL	47uF	16V
* C731	US135100	C. CE. CHP	0.1uF	16V
C732	UU137470	C. EL	47uF	16V
* C733	US135100	C. CE. CHP	0.1uF	16V
C734	UU137470	C. EL	47uF	16V
* C735	US135100	C. CE. CHP	0.1uF	16V
* C736	UU137470	C. EL	47uF	16V
* C737	US135100	C. CE. CHP	0.1uF	16V
* C738	US063470	C. CE. CHP	4700pF	50V
D501	VT332900	D1ODE	1SS355	
D502	VT332900	D1ODE	1SS355	
D503	VT332900	D1ODE	1SS355	
D504	VT332900	D1ODE	1SS355	
D505	VT332900	D1ODE	1SS355	
D509	VT332900	D1ODE	1SS355	
D510	VT332900	D1ODE	1SS355	
D511	VT332900	D1ODE	1SS355	
D512	VT332900	D1ODE	1SS355	
D513	VT332900	D1ODE	1SS355	
D514	VT332900	D1ODE	1SS355	
D516	VT332900	D1ODE	1SS355	
D517	VT332900	D1ODE	1SS355	
D518	VT332900	D1ODE	1SS355	
D519	VT332900	D1ODE	1SS355	
D520	VT332900	D1ODE	1SS355	
D521	VT332900	D1ODE	1SS355	
D522	VT332900	D1ODE	1SS355	
D524	VV220700	D1ODE. SHOT	RB501V-40	

* New Parts

P.C.B. DSP & P.C.B. VIDEO

Schm Ref.	PART NO.	Description	
D525	VV220700	D1ODE . SHOT	RB501V-40
D526	VV220700	D1ODE . SHOT	RB501V-40
D527	VV220700	D1ODE . SHOT	RB501V-40
D528	VV220700	D1ODE . SHOT	RB501V-40
D529	VV220700	D1ODE . SHOT	RB501V-40
D530	VV220700	D1ODE . SHOT	RB501V-40
D531	VV220700	D1ODE . SHOT	RB501V-40
D532	VT332900	D1ODE	1SS355
D533	VT332900	D1ODE	1SS355
D534	VT332900	D1ODE	1SS355
D535	VT332900	D1ODE	1SS355
D536	VT332900	D1ODE	1SS355
D537	VT332900	D1ODE	1SS355
* IC501	XY580A00	IC	YSS928
* IC502	XV077A00	IC	MSM514260C-60JS
* IC505	XZ003A00	IC	PQ025EZ5MZP 2.5V
* IC506	XU965A00	IC	uPC29M33T-E1 3.3V
* IC507	XD655A00	IC	TC74HC00AF NAND
* IC508	XV495A00	IC	TC74VHCT08AF AND
IC509	XR038A00	IC	NJM2904M OP AMP
IC510	XD660A00	IC	TC74HCU04AF-TP1
IC511	XD660A00	IC	TC74HCU04AF-TP1
* IC513	XD655A00	IC	TC74HC00AF NAND
* IC514	XZ002A00	IC	AK4527VQ
IC515	XF291A00	IC	uPC4570G2
IC516	XF291A00	IC	uPC4570G2
IC517	XF291A00	IC	uPC4570G2
IC518	XF291A00	IC	uPC4570G2
IC519	XF291A00	IC	uPC4570G2
* IC520	XW029A00	IC	AK4393-VF-E2
IC522	XF291A00	IC	uPC4570G2
L501	V2726500	COIL	68uH
L502	V2726500	COIL	68uH
L503	V2726500	COIL	68uH
L504	V2726500	COIL	68uH
* PJ501	V5715300	JACK.PIN	2P OR/OR YKC21-422
Q509	VC124000	TR. DGT	DTA144EK
Q511	VC124000	TR. DGT	DTA144EK
Q512	VC124000	TR. DGT	DTA144EK
Q513	VC124000	TR. DGT	DTA144EK
Q514	VD303700	TR	2SC3326 A,B
Q515	VD303700	TR	2SC3326 A,B
Q516	VC124000	TR. DGT	DTA144EK
Q517	VC124000	TR. DGT	DTA144EK
Q518	VC124000	TR. DGT	DTA144EK
Q522	VD303700	TR	2SC3326 A,B
Q523	VD303700	TR	2SC3326 A,B
Q524	VD303700	TR	2SC3326 A,B
Q525	VD303700	TR	2SC3326 A,B
Q526	VD303700	TR	2SC3326 A,B
Q527	VD303700	TR	2SC3326 A,B
R596	HV753220	R. CAR. FP	2.2 1/4W
* R598	VU224000	R. MTL. FLM	0.22 1W J
R599	HV753100	R. CAR. FP	1 1/4W
R600	HV753100	R. CAR. FP	1 1/4W
* R609	VU224000	R. MTL. FLM	0.22 1W J
R610	HV753220	R. CAR. FP	2.2 1/4W
R611	HV753220	R. CAR. FP	2.2 1/4W
XL501	V3625700	RSNR. CRY5	24.576MHZ

* New Parts

Schm Ref.	PART NO.	Description	
	V6252200	P. C. B.	VIDEO (U)
	V6252300	P. C. B.	VIDEO (RT)
	V6252400	P. C. B.	VIDEO (ABGL)
	V6674700	P. C. B.	VIDEO (C)
CB231	VF982200	CN. BS. PIN	14P
CB232	VQ044500	CN. BS. PIN	11P
CB601	VM929900	CN. BS. PIN	15P
CB602	VN066500	CN. BS. PIN	12P
CB603	Vi878200	CN. BS. PIN	4P
CB701	VM929900	CN. BS. PIN	15P
CB751	Vi878200	CN. BS. PIN	4P
C231	VK534000	C. PP	220pF 200V
* C232	UU177220	C. EL	22uF 63V
C233	VQ462600	C. MYLAR	220pF 50V (RTABGL)
C233	VQ645600	C. MYLAR	100pF 50V (UC)
* C234	UU147100	C. EL	10uF 25V
C235	VQ462600	C. MYLAR	220pF 50V
C236	VQ462600	C. MYLAR	220pF 50V (RTABGL)
C236	VQ645600	C. MYLAR	100pF 50V (UC)
* C237	UU147100	C. EL	10uF 25V
C238	VQ462600	C. MYLAR	220pF 50V
C239	VQ462600	C. MYLAR	220pF 50V (RTABGL)
C239	VQ645600	C. MYLAR	100pF 50V (UC)
* C240	UU147100	C. EL	10uF 25V
C241	UA952220	C. MYLAR	220pF 50V
C242	VQ462600	C. MYLAR	220pF 50V (RTABGL)
C242	VQ645600	C. MYLAR	100pF 50V (UC)
* C243	UU147100	C. EL	10uF 25V
C244	UA952220	C. MYLAR	220pF 50V
C245	VQ462600	C. MYLAR	220pF 50V (RTABGL)
C245	VQ645600	C. MYLAR	100pF 50V (UC)
* C246	UU147100	C. EL	10uF 25V
C247	VQ462600	C. MYLAR	220pF 50V
C248	UU138100	C. EL	100uF 16V
* C249	UU177220	C. EL	22uF 63V
C250	UA953100	C. MYLAR	1000pF 50V
* C251	VQ463300	C. PP	22pF 630V
* C252	UU168100	C. EL	100uF 50V
* C253	UA953100	C. MYLAR	1000pF 50V
* C254	VQ463300	C. PP	22pF 630V
* C255	UU168100	C. EL	100uF 50V
* C256	UA953100	C. MYLAR	1000pF 50V
* C257	VS696700	C. CE	33pF 500V
* C258	UU157470	C. EL	47uF 35V
* C259	UA953100	C. MYLAR	1000pF 50V
* C260	VS696700	C. CE	33pF 500V
* C261	UU157470	C. EL	47uF 35V
C262	UA953100	C. MYLAR	1000pF 50V
C263	VQ245400	C. PP	33pF 200V
* C264	UU157470	C. EL	47uF 35V
* C265	UR819220	C. EL	2200uF 6.3V
* C266	UR819220	C. EL	2200uF 6.3V (URTABGLC)
* C601	US062100	C. CE. M. CHP	100pF 50V
* C602	US062100	C. CE. M. CHP	100pF 50V
* C603	US062100	C. CE. M. CHP	100pF 50V
* C604	US062100	C. CE. M. CHP	100pF 50V
* C605	US062100	C. CE. M. CHP	100pF 50V
* C606	US062100	C. CE. M. CHP	100pF 50V
* C607	US135100	C. CE. CHP	0.1uF 16V
* C608	US135100	C. CE. CHP	0.1uF 16V
* C609	US135100	C. CE. CHP	0.1uF 16V
C610	UR829100	C. EL	1000uF 10V
C611	UR837470	C. EL	47uF 16V

* New Parts

P.C.B. VIDEO

Schm Ref.	PART NO.	Description		
C612	UR837470	C. EL	47uF	16V
C613	UR837470	C. EL	47uF	16V
* C614	US135100	C. CE. CHP	0.1uF	16V
* C616	US135100	C. CE. CHP	0.1uF	16V
C617	UR827470	C. EL	47uF	10V
C618	UR837470	C. EL	47uF	16V
* C619	US062820	C. CE. CHP	820pF	50V (ABGL)
* C619	US063150	C. CE. M. CHP	1500pF	50V (UCRT)
* C620	US062270	C. CE. M. CHP	270pF	50V (ABGL)
* C620	US062390	C. CE. M. CHP	390P	50V (UCRT)
C621	UR827470	C. EL	47uF	10V
C622	UR827470	C. EL	47uF	10V
C623	UR827470	C. EL	47uF	10V
C624	UR827470	C. EL	47uF	10V
C625	UR847100	C. EL	10uF	25V
* C626	US135100	C. CE. CHP	0.1uF	16V
* C627	US135100	C. CE. CHP	0.1uF	16V
* C628	US135100	C. CE. CHP	0.1uF	16V
* C629	US135100	C. CE. CHP	0.1uF	16V
* C630	US060800	C. CE. CHP	8pF	50V
C631	UR827470	C. EL	47uF	10V
C632	UR827470	C. EL	47uF	10V
C633	US061330	C. CE. M. CHP	33pF	50V
* C634	US064100	C. CE. M. CHP	0.01uF	50V
C635	UR827470	C. EL	47uF	10V
C636	UR866470	C. EL	4.7uF	50V
C637	UR866470	C. EL	4.7uF	50V
* C638	US135100	C. CE. CHP	0.1uF	16V
* C639	US063120	C. CE. M. CHP	1200pF	50V
* C640	US062470	C. CE. M. CHP	470pF	50V
C641	UR866100	C. EL	1uF	50V
C642	UR866100	C. EL	1uF	50V
* C643	US060700	C. CE. CHP	7pF	50V
* C644	US061240	C. CE. CHP	24pF	50V
* C645	US061240	C. CE. CHP	24pF	50V
* C646	US062220	C. CE. CHP	220pF	50V
* C647	US062120	C. CE. CHP	120pF	50V
C648	UR827470	C. EL	47uF	10V
* C649	US135100	C. CE. CHP	0.1uF	16V
* C650	US135100	C. CE. CHP	0.1uF	16V
C651	UR847100	C. EL	10uF	25V
* C652	US135100	C. CE. CHP	0.1uF	16V
* C701	US062100	C. CE. M. CHP	100pF	50V
* C702	US062100	C. CE. M. CHP	100pF	50V
* C704	US062100	C. CE. M. CHP	100pF	50V
C705	UR847100	C. EL	10uF	25V
C706	UR829100	C. EL	1000uF	10V
C707	UR827470	C. EL	47uF	10V
C708	UR827470	C. EL	47uF	10V
C709	UR827470	C. EL	47uF	10V
C710	UR827470	C. EL	47uF	10V
* C712	US135220	C. CE. CHP	0.22uF	16V
C713	UR827470	C. EL	47uF	10V
C714	UR838100	C. EL	100uF	16V
* C715	US135100	C. CE. CHP	0.1uF	16V
* C716	US135100	C. CE. CHP	0.1uF	16V
C721	UR827470	C. EL	47uF	10V
C722	US135100	C. CE. CHP	0.1uF	16V
C751	VF466800	C. CE. TUBLR	100pF	50V
C752	VF466800	C. CE. TUBLR	100pF	50V
C753	VF466800	C. CE. TUBLR	100pF	50V
* C757	US135100	C. CE. CHP	0.1uF	16V
* C758	US135100	C. CE. CHP	0.1uF	16V

* New Parts

Schm Ref.	PART NO.	Description		
C759	UR847100	C. EL	10uF	25V
C760	UR847100	C. EL	10uF	25V
D231	VD631600	DIODE	1SS133, 176	
D232	VG440300	DIODE. ZENR	MTZJ12C	12V
D233	VG440300	DIODE. ZENR	MTZJ12C	12V
* D234	VG440100	DIODE. ZENR	MTZJ12A	(CRTABGL)
D234	VG441000	DIODE. ZENR	MTZJ16A	16V(U)
D235	VG439100	DIODE. ZENR	MTZJ9.1A	9.1V
D236	VD631600	DIODE	1SS133, 176	
D237	VD631600	DIODE	1SS133, 176	
D601	VD631600	DIODE	1SS133, 176	
D602	VD631600	DIODE	1SS133, 176	
D603	VD631600	DIODE	1SS133, 176	
D604	VD631600	DIODE	1SS133, 176	
D605	VD631600	DIODE	1SS133, 176	
D606	VD631600	DIODE	1SS133, 176	
D607	VD631600	DIODE	1SS133, 176	
D608	VD631600	DIODE	1SS133, 176	
D609	VD631600	DIODE	1SS133, 176	
D610	VD631600	DIODE	1SS133, 176	
* IC601	XW939A00	IC	TK15420M	VIDEO AMP
* IC602	XL493A00	IC	TC74HC4051AP	
* IC603	XL493A00	IC	TC74HC4051AP	
* IC607	iR405300	IC	TC74HC4053AP	
IC608	iG142200	IC	TC74HCU04AP	
* IC609	XY443A00	IC	LA7109	6CH
* IC610	XZ060A00	IC	LC74781-9798	
IC611	XW416A00	IC	BU2092	SER/PAR
* IC701	XW911A00	IC	LA7108M	VIDEO AMP
* IC702	XL493A00	IC	TC74HC4051AP	
* IC751	XZ177A00	IC	LA7104M	VIDEO AMP
IC752	iR405300	IC	TC74HC4053AP	
JK601	VP113600	CN. DIN	2P	
JK602	VP113600	CN. DIN	2P	
JK603	VP113600	CN. DIN	2P	
JK604	VU245200	CN. DIN	1P	
* JK605	VQ960400	CN. DIN	1P	
L602	V3233700	COIL	1.5uH	
* L603	V6236000	COIL	4.7uH	LAV35VB4R7K
L605	V2726100	COIL	33uH	
PJ701	V2773400	JACK. PIN	1P	
PJ702	VV325000	JACK. PIN	2P	
PJ703	VV325000	JACK. PIN	2P	
PJ704	VV325000	JACK. PIN	2P	
PJ705	V2773400	JACK. PIN	1P	
* PJ751	V6222700	JACK. PIN	RJ-1086-06-0331A	
* PJ752	V6222700	JACK. PIN	RJ-1086-06-0331A	
* PJ753	V6222700	JACK. PIN	RJ-1086-06-0331A	
PN231	V3750200	PIN	L=70	
PN601	V3750200	PIN	L=70	
Q231	VR510800	TR	2SD2396	J, K
Q232	VP883100	TR	2SC1890A	D, E
Q233	VP883100	TR	2SC1890A	D, E
Q234	V3966800	TR	2SB949	0, Y
Q235	VP883100	TR	2SC1890A	D, E
Q236	VP883100	TR	2SC1890A	D, E
Q237	V3966800	TR	2SB949	0, Y
Q238	VP883100	TR	2SC1890A	D, E
Q239	VP883100	TR	2SC1890A	D, E
Q240	V3966800	TR	2SB949	0, Y
Q241	VP883100	TR	2SC1890A	D, E
Q242	VP883100	TR	2SC1890A	D, E
Q243	V3966800	TR	2SB949	0, Y

* New Parts

P.C.B. VIDEO & P.C.B. MAIN

Schm Ref.	PART NO.	Description	
Q244	VP883100	TR	2SC1890A D,E
Q245	VP883100	TR	2SC1890A D,E
Q246	V3966800	TR	2SB949 O,Y
Q247	VP883100	TR	2SC1890A D,E
Q248	VP883100	TR	2SC1890A D,E
Q601	iC174020	TR	2SC1740S R,S
Q602	iC287820	TR	2SC2878 A,B
Q603	VD678700	TR.DGT	DTC114ES
Q604	iC174020	TR	2SC1740S R,S
Q605	iC174020	TR	2SC1740S R,S
Q606	iA101510	TR	2SA1015 Y
Q607	iC224030	TR	2SC2240 GR,BL
Q608	iC053540	TR	2SC535 A,B,C
Q609	iC287820	TR	2SC2878 A,B
Q701	iC174020	TR	2SC1740S R,S
R250	HV754100	R.CAR.FP	10 1/4W
R251	HV756470	R.CAR.FP	4.7K 1/4W
R255	HV754470	R.CAR.FP	47 1/4W
R262	HV754470	R.CAR.FP	47 1/4W
R269	HV754470	R.CAR.FP	47 1/4W
R276	HV754470	R.CAR.FP	47 1/4W
R283	HV754470	R.CAR.FP	47 1/4W
R653	RD357330	R.MTL.CHP	33K 1/10W
XL601	VV949800	RSNR.CRYS	14.31818MHz(UCRT)
XL601	VV949900	RSNR.CRYS	17.734475MHz(ABGL)
	V6238900	P.C.B.	MAIN(UC)
	V6239000	P.C.B.	MAIN(RT)
	V6239100	P.C.B.	MAIN(A)
	V6239200	P.C.B.	MAIN(BGL)
CB1	VN394900	CN.BS.PIN	14P
CB2	Vi878300	CN.BS.PIN	5P
CB3	VQ047300	CN.BS.PIN	12P
CB4	Vi878400	CN.BS.PIN	6P
CB151	VK026400	CN.BS.PIN	5P
CB153	VB858200	CN.BS.PIN	3P
CB154	Vi878200	CN.BS.PIN	4P
CB155	Vi878200	CN.BS.PIN	4P
CB201	Vi878400	CN.BS.PIN	6P
CB202	VF728300	CN	6P
C1	UU167470	C.EL	47uF 50V
C2	UU177220	C.EL	22uF 63V
C3	VQ645600	C.MYLAR	100pF 50V
C4	UU147470	C.EL	47uF 25V
C5	VK399200	C.MYLAR.ML	0.39uF 50V
C6	UU167470	C.EL	47uF 50V
C7	VQ645600	C.MYLAR	100pF 50V
C8	VQ645600	C.MYLAR	100pF 50V
C9	UU147470	C.EL	47uF 25V
C10	VK399200	C.MYLAR.ML	0.39uF 50V
C11	UU167470	C.EL	47uF 50V
C12	VQ645600	C.MYLAR	100pF 50V
C13	VR325000	C.MYLAR	100pF 100V
C14	UU147470	C.EL	47uF 25V
C15	UU167470	C.EL	47uF 50V
C16	VR325000	C.MYLAR	100pF 100V
C17	VR325000	C.MYLAR	100pF 100V
C18	UU147470	C.EL	47uF 25V
C19	UU167470	C.EL	47uF 50V
C20	VR325000	C.MYLAR	100pF 100V
C21	VR325000	C.MYLAR	100pF 100V

* New Parts

Schm Ref.	PART NO.	Description	
C22	UU147470	C.EL	47uF 25V
C23	VR325000	C.MYLAR	100pF 100V
C24	UU196470	C.EL	4.7uF 100V
C25	UA954680	C.MYLAR	0.068uF 50V
C26	UA954680	C.MYLAR	0.068uF 50V
C27	UA954680	C.MYLAR	0.068uF 50V
C28	UA954680	C.MYLAR	0.068uF 50V
C29	UA954680	C.MYLAR	0.068uF 50V
C30	UU166470	C.EL	4.7uF 50V
C31	VT898000	C.MYLAR	0.1uF 100V
C32	VK534000	C.PP	220pF 200V
C33	UU166470	C.EL	4.7uF 50V
C34	VT898000	C.MYLAR	0.1uF 100V
C35	UU118220	C.EL	220uF 6.3V
C36	UU166470	C.EL	4.7uF 50V
C37	UU137470	C.EL	47uF 16V
C38	VF466900	C.CE.TUBLR	470pF 50V(RTABGL)
C39	VF466900	C.CE.TUBLR	470pF 50V(RTABGL)
C40	VF466900	C.CE.TUBLR	470pF 50V(RTABGL)
C41	UA954100	C.MYLAR	0.01uF 50V(RTABGL)
C42	UA954100	C.MYLAR	0.01uF 50V(RTABGL)
C43	UA954100	C.MYLAR	0.01uF 50V(RTABGL)
C44	UA954100	C.MYLAR	0.01uF 50V(RTABGL)
C45	UA954100	C.MYLAR	0.01uF 50V(RTABGL)
C46	UA954100	C.MYLAR	0.01uF 50V(RTABGL)
C47	UA954100	C.MYLAR	0.01uF 50V(RTABGL)
C48	UA954100	C.MYLAR	0.01uF 50V(RTABGL)
C49	UA954100	C.MYLAR	0.01uF 50V(RTABGL)
C151	Vi716300	C.MYLAR	4700pF 50V(RTABGL)
C152	Vi716300	C.MYLAR	4700pF 50V(RTABGL)
C153	Vi716300	C.MYLAR	4700pF 50V(RTABGL)
C154	Vi716300	C.MYLAR	4700pF 50V(RTABGL)
C155	Vi716700	C.MYLAR	0.01uF 50V(RTABGL)
C156	Vi716700	C.MYLAR	0.01uF 50V(RTABGL)
C157	UT652100	C.PP	100pF 100V
C158	UT652100	C.PP	100pF 100V
C162	UA655220	C.MYLAR	0.22uF 50V
C163	VF467300	C.CE.TUBLR	0.01uF 16V
C164	VF467300	C.CE.TUBLR	0.01uF 16V
C201	V2922200	C.EL	12000uF 63V
C202	V2922200	C.EL	12000uF 63V
C203	VK534100	C.PP	0.01uF 100V
C204	UR848470	C.EL	470uF 25V
C205	UU147100	C.EL	10uF 25V(RT)
C206	VT898000	C.MYLAR	0.1uF 100V
C207	VT898000	C.MYLAR	0.1uF 100V
C208	UU168100	C.EL	100uF 50V
C209	UA655100	C.MYLAR	0.1uF 50V
C210	UA655100	C.MYLAR	0.1uF 50V
C211	UU168100	C.EL	100uF 50V
C212	UR897100	C.EL	10uF 100V(RT)
C213	UU167100	C.EL	10uF 50V(RT)
C214	Vi716700	C.MYLAR	0.01uF 50V
D1	VN008700	DIODE	1SS270A
D2	VD631600	DIODE	1SS133,176
D3	VD631600	DIODE	1SS133,176
D4	VN008700	DIODE	1SS270A
D5	VN008700	DIODE	1SS270A
D6	VN008700	DIODE	1SS270A
D7	VN008700	DIODE	1SS270A
D8	VN008700	DIODE	1SS270A
D9	VN008700	DIODE	1SS270A
D10	VN008700	DIODE	1SS270A

* New Parts

P.C.B. MAIN

Schm Ref.	PART NO.	Description	
D11	VN008700	DIODE	1SS270A
D12	VN008700	DIODE	1SS270A
D13	VD631600	DIODE	1SS133, 176
D14	VD631600	DIODE	1SS133, 176
D15	VG440300	DIODE.ZENR	MTZJ12C 12V
D16	VG440300	DIODE.ZENR	MTZJ12C 12V
D17	VG443200	DIODE.ZENR	MTZ J 30.0A 30.0V
D18	VN008700	DIODE	1SS270A
D19	VN008700	DIODE	1SS270A
D20	VN008700	DIODE	1SS270A
D21	VG440300	DIODE.ZENR	MTZJ12C 12V
D22	VG440300	DIODE.ZENR	MTZJ12C 12V
D23	VN008700	DIODE	1SS270A
D24	VN008700	DIODE	1SS270A
D25	VG437200	DIODE.ZENR	MTZJ4.7C 4.7V
D26	VD631600	DIODE	1SS133, 176
D27	VD631600	DIODE	1SS133, 176
D28	VD631600	DIODE	1SS133, 176
D151	VG440300	DIODE.ZENR	MTZJ12C 12V
D152	VG440300	DIODE.ZENR	MTZJ12C 12V
D153	VG440300	DIODE.ZENR	MTZJ12C 12V
D154	VG440300	DIODE.ZENR	MTZJ12C 12V
△ D201	VM702000	DIODE.BRG	S5VB20 3.5A 200V
D202	VD631600	DIODE	1SS133, 176(RT)
D203	VG439900	DIODE.ZENR	MTZJ11B 11V(RT)
△ D204	VS997800	DIODE	1T2
△ D205	VS997800	DIODE	1T2
△ D206	VS997800	DIODE	1T2
△ D207	VS997800	DIODE	1T2
D208	VV307700	DIODE	1N4002S(RT)
D209	VV307700	DIODE	1N4002S
D210	VV307700	DIODE	1N4002S
D211	VV307700	DIODE	1N4002S
D212	VV307700	DIODE	1N4002S
G2	VR463400	TERM.GND	D3.5 TP00385
HS201	VR506800	HEAT.SINK	PUH16-25(RT)
L1	VU038200	COIL	0.95uH
L2	VU038200	COIL	0.95uH
L3	V2604200	COIL	1uH
L4	V2604200	COIL	1uH
L5	VU038200	COIL	0.95uH
PJ1	VP768000	JACK.PIN	2P
PJ2	VK437600	JACK.PIN	1P
PJ151	VP768000	JACK.PIN	2P
PJ153	VK437600	JACK.PIN	1P
PN1	V3750200	PIN	L=70
PN2	V3750200	PIN	L=70
PN3	V3750200	PIN	L=70
PN151	V3750200	PIN	L=70
PN152	V3750200	PIN	L=70
PN153	V3750200	PIN	L=70
PN202	V3750200	PIN	L=70
△ Q1	VK432900	TR	2SD1915F S,T
△ Q2	VK432900	TR	2SD1915F S,T
△ Q3	VK432900	TR	2SD1915F S,T
△ Q4	VK432900	TR	2SD1915F S,T
△ Q5	VK432900	TR	2SD1915F S,T
△ Q6	VS883300	TR	2SB1565 E,F
△ Q7	VP883000	TR	2SA893A D,E
Q8	VP883000	TR	2SA893A D,E
△ Q9	V4096100	TR	2SC4614 S,T
△ Q10	V4096000	TR	2SA1770 S,T
△ Q11	V4096100	TR	2SC4614 S,T

* New Parts

Schm Ref.	PART NO.	Description	
△ Q12	V4096000	TR	2SA1770 S,T
△ Q13	V4096100	TR	2SC4614 S,T
△ Q14	V4096000	TR	2SA1770 S,T
△ Q15	V4096100	TR	2SC4614 S,T
△ Q16	V4096000	TR	2SA1770 S,T
△ Q17	V4096100	TR	2SC4614 S,T
△ Q18	V4096000	TR	2SA1770 S,T
△ Q19	VY760300	TR.PAIR	2SA1492/C3856 OPY
Q20	VP883100	TR	2SC1890A D,E
△ Q22	VY760300	TR.PAIR	2SA1492/C3856 OPY
Q23	VP883100	TR	2SC1890A D,E
△ Q25	VY760300	TR.PAIR	2SA1492/C3856 OPY
Q26	VP883100	TR	2SC1890A D,E
△ Q28	VY760300	TR.PAIR	2SA1492/C3856 OPY
Q29	VP883100	TR	2SC1890A D,E
△ Q31	VY760300	TR.PAIR	2SA1492/C3856 OPY
Q32	VP883100	TR	2SC1890A D,E
Q34	iC181510	TR	2SC1815 Y
Q35	VP883000	TR	2SA893A D,E
△ Q36	iA101510	TR	2SA1015 Y
Q37	iC181510	TR	2SC1815 Y
Q151	iC181510	TR	2SC1815 Y
Q154	iC181510	TR	2SC1815 Y
Q156	iC287820	TR	2SC2878 A,B
Q158	iC287820	TR	2SC2878 A,B
Q201	VR510800	TR	2SD2396 J,K(RT)
Q202	iE102620	FET	2SK246 Y(RT)
Q203	VR510800	TR	2SD2396 J,K(RT)
R1	V3946100	R.MTL.OXD	2.7K 0.5W
R2	V3945100	R.MTL.OXD	390 0.5W
R3	V3945500	R.MTL.OXD	820 0.5W
R4	VP941600	R.MTL.OXD	5.6K 1W
R5	VP941600	R.MTL.OXD	5.6K 1W
R6	V3946100	R.MTL.OXD	2.7K 0.5W
R7	V3945100	R.MTL.OXD	390 0.5W
R8	V3945500	R.MTL.OXD	820 0.5W
R9	VP941600	R.MTL.OXD	5.6K 1W
R10	VP941600	R.MTL.OXD	5.6K 1W
R11	V3946100	R.MTL.OXD	2.7K 0.5W
R12	V3945100	R.MTL.OXD	390 0.5W
R13	V3945500	R.MTL.OXD	820 0.5W
R14	VP941600	R.MTL.OXD	5.6K 1W
R15	VP941600	R.MTL.OXD	5.6K 1W
R16	V3946100	R.MTL.OXD	2.7K 0.5W
R17	V3945100	R.MTL.OXD	390 0.5W
R18	V3945500	R.MTL.OXD	820 0.5W
R19	VP941600	R.MTL.OXD	5.6K 1W
R20	VP941600	R.MTL.OXD	5.6K 1W
R21	V3946100	R.MTL.OXD	2.7K 0.5W
R22	V3945100	R.MTL.OXD	390 0.5W
R23	V3945500	R.MTL.OXD	820 0.5W
R24	VP941600	R.MTL.OXD	5.6K 1W
R25	VP941600	R.MTL.OXD	5.6K 1W
R26	HV755100	R.CAR.FP	100 1/4W
△ R30	VP939700	R.MTL.FLM	4.7 1W
R31	V3945600	R.MTL.OXD	1K 0.5W
△ R32	V3944800	R.MTL.OXD	220 0.5W
△ R35	VP939700	R.MTL.FLM	4.7 1W
R36	HV755100	R.CAR.FP	100 1/4W
△ R37	VP939700	R.MTL.FLM	4.7 1W
R38	V3945600	R.MTL.OXD	1K 0.5W
△ R39	V3944800	R.MTL.OXD	220 0.5W
△ R42	VP939700	R.MTL.FLM	4.7 1W

* New Parts

P.C.B. MAIN & P.C.B. POWER

Schm Ref.	PART NO.	Description		
△ R43	HV755100	R. CAR. FP	100	1/4W
△ R44	HV754100	R. CAR. FP	10	1/4W
△ R45	V3945600	R. MTL. OXD	1K	0.5W
△ R46	V3944800	R. MTL. OXD	220	0.5W
△ R47	HV754100	R. CAR. FP	10	1/4W
△ R48	HV755100	R. CAR. FP	100	1/4W
△ R49	HV754100	R. CAR. FP	10	1/4W
△ R50	V3945600	R. MTL. OXD	1K	0.5W
△ R51	V3944800	R. MTL. OXD	220	0.5W
△ R52	HV754100	R. CAR. FP	10	1/4W
△ R53	HV755100	R. CAR. FP	100	1/4W
△ R54	VP939800	R. MTL. OXD	10	1W
△ R55	V3945600	R. MTL. OXD	1K	0.5W
△ R56	V3944800	R. MTL. OXD	220	0.5W
△ R57	VP939800	R. MTL. OXD	10	1W
△ R58	HV754100	R. CAR. FP	10	1/4W
△ R62	HV756150	R. CAR. FP	1.5K	1/4W
△ R65	V3873200	R. WW	0.22	3W
△ R68	VP939800	R. MTL. OXD	10	1W
△ R72	V3873200	R. WW	0.22	3W
△ R73	VP939800	R. MTL. OXD	10	1W
△ R77	VU981700	R. MTL. PLAT	0.22	+0.22 3W
△ R78	VP939800	R. MTL. OXD	10	1W
△ R83	VU981700	R. MTL. PLAT	0.22	+0.22 3W
△ R84	VP939800	R. MTL. OXD	10	1W
△ R86	V3873200	R. WW	0.22	3W
△ R89	VP939800	R. MTL. OXD	10	1W
△ R95	HV754100	R. CAR. FP	10	1/4W
△ R98	HV754100	R. CAR. FP	10	1/4W
△ R101	HV754100	R. CAR. FP	10	1/4W
△ R103	HV754100	R. CAR. FP	10	1/4W
△ R106	HV754100	R. CAR. FP	10	1/4W
△ R107	VP939700	R. MTL. FLM	4.7	1W
△ R108	VP939700	R. MTL. FLM	4.7	1W
△ R110	HV755100	R. CAR. FP	100	1/4W
△ R111	HV756100	R. CAR. FP	1K	1/4W
△ R112	VP940900	R. MTL. OXD	560	1W
△ R113	VP940900	R. MTL. OXD	560	1W
△ R114	VP939700	R. MTL. FLM	4.7	1W
△ R134	HV753470	R. CAR. FP	4.7	1/4W(RTABGL)
△ R135	HV753470	R. CAR. FP	4.7	1/4W(RTABGL)
△ R136	HV753470	R. CAR. FP	4.7	1/4W(RTABGL)
△ R151	VP940900	R. MTL. OXD	560	1W
△ R163	VP940900	R. MTL. OXD	560	1W
△ R206	HV753100	R. CAR. FP	1	1/4W
△ R207	HV753100	R. CAR. FP	1	1/4W
△ RY1	VK438300	RELAY	DH24D2-OT/M2	
△ RY2	VU566700	RELAY	DG24D2-OS/M	
△ RY151	VK438300	RELAY	DH24D2-OT/M2	
△ RY152	VK438300	RELAY	DH24D2-OT/M2	
△ ST201	BB071360	SCR. TERM	8.3x13	
* SW201	V4104200	SW. SLIDE	SL13B-022-AMCS	
* TE1	V5912000	TERM. SP	6P LTS0610(BGL)	
* TE1	V5912100	TERM. SP	6P LTS0610(UCRTA)	
* TE151	V5912200	TERM. SP	6P LTS0810(BGL)	
* TE151	V5912300	TERM. SP	6P LTS0810(UCRTA)	
* V5995800		PLATE. GND		
EP600140		SCR. BND. HD	3x10	MFZN2-BL
EP600140		SCR. BND. HD	3x10	MFZN2-BL (RT)

* New Parts

Schm Ref.	PART NO.	Description		
*	V6234100	P. C. B.		POWER(UC)
*	V6234200	P. C. B.		POWER(RT)
*	V6234300	P. C. B.		POWER(A)
*	V6234400	P. C. B.		POWER(B)
*	V6234500	P. C. B.		POWER(G)
*	V6234600	P. C. B.		POWER(L)
△ CB1	V5906800	CN		JET 15P TE
CB2	VQ963600	CN. BS. PIN		15P
CB301	Vi878400	CN. BS. PIN		6P
CB302	VP206500	HOLDER. FUS		EYF-52BCT(GL)
CB303	VP206500	HOLDER. FUS		EYF-52BCT(GL)
CB304	VG879900	CN. BS. PIN		2P
CB305	VP206500	HOLDER. FUS		EYF-52BCT
CB306	VP206500	HOLDER. FUS		EYF-52BCT
CB321	VP206500	HOLDER. FUS		EYF-52BCT(RT)
CB322	VP206500	HOLDER. FUS		EYF-52BCT(RT)
CB351	VQ584900	CN. BS. PIN		7P
CB352	VQ584900	CN. BS. PIN		7P
CB353	VK026800	CN. BS. PIN		9P
CB551	VQ961300	CN. BS. PIN		10P
CB552	VQ961400	CN. BS. PIN		11P
CB591	VQ963100	CN. BS. PIN		10P
CB592	VQ961300	CN. BS. PIN		10P
CB593	VQ963200	CN. BS. PIN		11P
CB594	VQ961400	CN. BS. PIN		11P
CB851	VM859500	CN. BS. PIN		11P
CB852	VQ044400	CN. BS. PIN		9P
C1	UU137470	C. EL		47uF 16V
C2	UU137470	C. EL		47uF 16V
C3	VF466800	C. CE. TUBLR		100pF 50V
C4	VF466800	C. CE. TUBLR		100pF 50V
C5	VF467300	C. CE. TUBLR		0.01uF 16V
C6	VF466800	C. CE. TUBLR		100pF 50V
C7	VF467000	C. CE. TUBLR		1000pF 50V
C8	VF466800	C. CE. TUBLR		100pF 50V
C11	VG278600	C. CE. TUBLR		330pF 50V(BG)
C12	VG278600	C. CE. TUBLR		330pF 50V(BG)
C13	VG278800	C. CE. TUBLR		560pF 50V(BG)
C14	UU137470	C. EL		47uF 16V(BG)
C15	UU137470	C. EL		47uF 16V(BG)
C16	VA761100	C. CE		27pF 50V(BG)
C17	VA761100	C. CE		27pF 50V(BG)
C18	VJ599000	C. CE. TUBLR		0.047uF 16V(BG)
C19	UU137470	C. EL		47uF 16V(BG)
C301	Vi716700	C. MYLAR		0.01uF 50V(RT)
C302	VL884600	C. PP		0.01uF 100V(UCABGL)
C303	Vi716700	C. MYLAR		0.01uF 50V(RT)
△ C304	V3501400	C. CE. SAFTY		0.01uF 275V
C351	UA655100	C. MYLAR		0.1uF 50V
C352	UA655100	C. MYLAR		0.1uF 50V
C353	UA655100	C. MYLAR		0.1uF 50V
C354	UA655100	C. MYLAR		0.1uF 50V
C355	UU149680	C. EL		6800uF 25V
C356	UU149470	C. EL		4700uF 25V
C357	UU13A100	C. EL		10000uF 16V
C358	UU13A100	C. EL		10000uF 16V
C359	UU13A100	C. EL		10000uF 16V
C360	UU139680	C. EL		6800uF 16V
C361	UU139680	C. EL		6800uF 16V
C362	UU13A100	C. EL		10000uF 16V
C363	UU147100	C. EL		10uF 25V
C364	UU147100	C. EL		10uF 25V
C365	UU138100	C. EL		100uF 16V

* New Parts

P.C.B. POWER & Chip Resistors

Schm Ref.	PART NO.	Description		
C366	UU138100	C. EL	100uF	16V
* C367	UU147100	C. EL	10uF	25V
C368	UU138100	C. EL	100uF	16V
* C369	UU147100	C. EL	10uF	25V
* C370	UU147100	C. EL	10uF	25V
C371	UU138100	C. EL	100uF	16V
C372	UU138100	C. EL	100uF	16V
C551	VJ599100	C. CE. TUBLR	0.1uF	50V
C552	VJ599100	C. CE. TUBLR	0.1uF	50V
* C553	UP652470	C. POL	470pF	100V
* C554	UP652470	C. POL	470pF	100V
* C555	UP652470	C. POL	470pF	100V
* C556	UP652470	C. POL	470pF	100V
* C557	UP652470	C. POL	470pF	100V
* C558	UP652470	C. POL	470pF	100V
* C559	UP652470	C. POL	470pF	100V
* C560	UP652470	C. POL	470pF	100V
* C561	UP652470	C. POL	470pF	100V
* C562	UP652470	C. POL	470pF	100V
* C563	UP652470	C. POL	470pF	100V
* C564	UP652470	C. POL	470pF	100V
* C565	UP652470	C. POL	470pF	100V
* C566	UP652470	C. POL	470pF	100V
* C567	UP652470	C. POL	470pF	100V(UCA)
* C568	UP652470	C. POL	470pF	100V(UCA)
C851	VJ599100	C. CE. TUBLR	0.1uF	50V
D1	VG437700	DIODE. ZENR	MTZJ5.6B	5.6V
D301	VD631600	DIODE	1SS133, 176	
⚠ D351	V4269600	DIODE. BRG	D2SBA20	1.5A 200V
⚠ D352	V4269600	DIODE. BRG	D2SBA20	1.5A 200V
D851	VD631600	DIODE	1SS133, 176(UCA)	
⚠ F301	VT942900	FUSE	TH2.5A	250V(GL)
⚠ F302	KB000790	FUSE	T4.0A	250V(ABGL)
⚠ F302	VS823300	FUSE	T8.0A	125V(UCRT)
⚠ F321	KB000790	FUSE	T4.0A	250V(RT)
G1	VR463400	TERM. GND	D3.5	TP00385
IC1	XY534A00	IC	LC72722	(BG)
⚠ IC351	XJ608A00	IC	NJM7812FA	
⚠ IC352	XD343A00	IC	NJM79M12FA	
⚠ IC353	XJ607A00	IC	NJM7805FA	5V
⚠ IC354	XJ604A00	IC	NJM78M05FA	
⚠ IC355	XE436A00	IC	NJM79M05FA	
JK851	VJ726800	JACK. MNI	(UCA)	
JK852	VJ726800	JACK. MNI	(UCA)	
L1	Vi546100	COIL	220uH	(BG)
PJ551	V4199100	JACK. PIN	6P	
PJ552	VJ696300	JACK. PIN	4P	
PJ553	VJ696300	JACK. PIN	4P(RTBGL)	
PJ553	VU857800	JACK. PIN	6P(UCA)	
PN351	V3750200	PIN	L=70	
PN352	V3750200	PIN	L=70	
Q1	iC181510	TR	2SC1815	Y
Q2	iC174020	TR	2SC1740S	R,S(BG)
Q301	iC174020	TR	2SC1740S	R,S
⚠ R355	HV753100	R. CAR. FP	1	1/4W
⚠ R356	HV753100	R. CAR. FP	1	1/4W
⚠ R357	VP939500	R. MTL. FLM	1	1W
⚠ R358	VP939500	R. MTL. FLM	1	1W
⚠ R359	VP939500	R. MTL. FLM	1	1W
R851	HV754470	R. CAR. FP	47	1/4W
* ⚠ RY301	V6017400	RELAY	DC SDT-S-112LMR2	
ST301	BB071360	SCR. TERM	8.3x13	(UC)
ST351	BB071360	SCR. TERM	8.3x13	

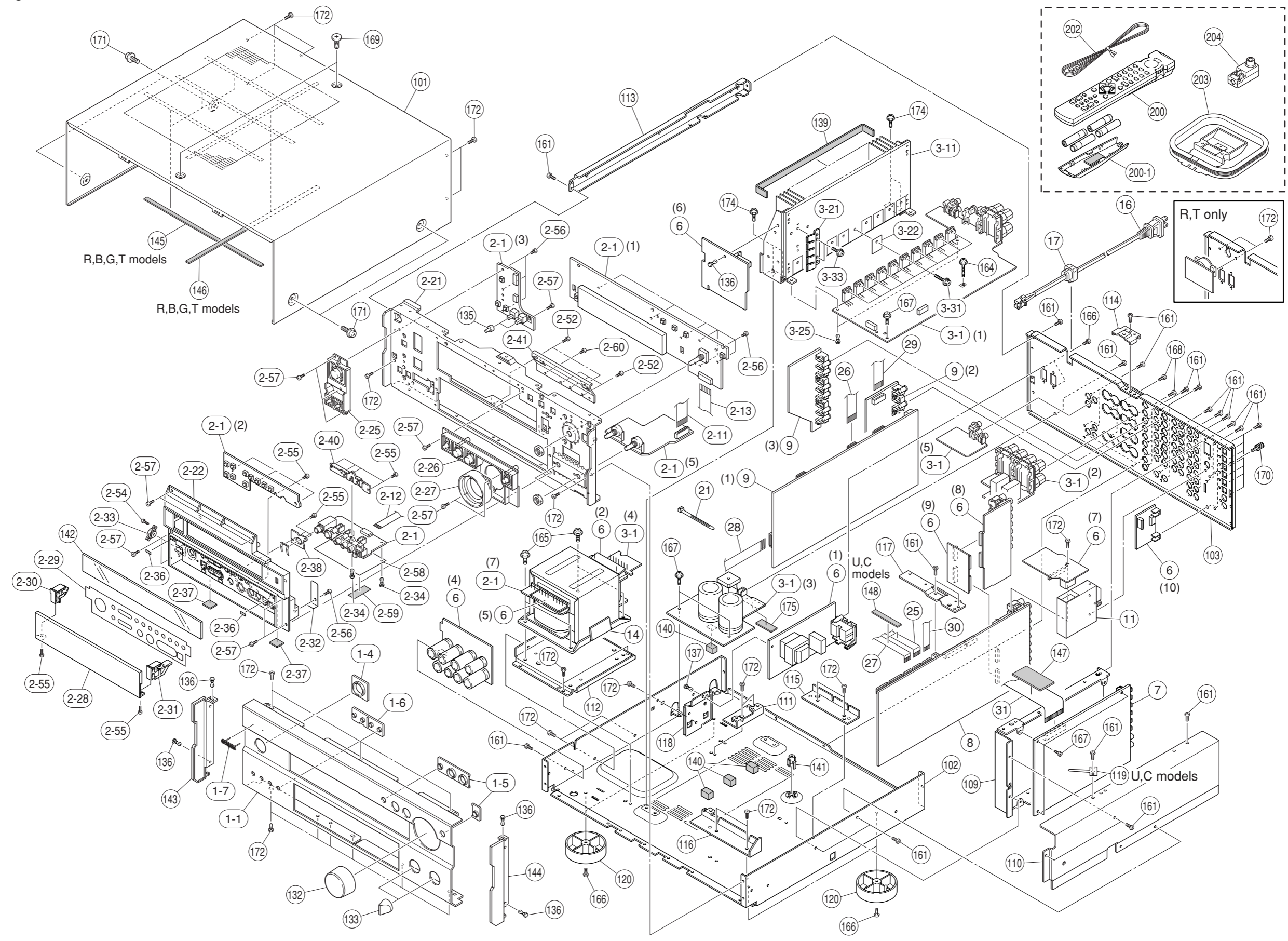
Schm Ref.	PART NO.	Description		
ST851	BB071360	SCR. TERM	8.3x13	
ST852	BB071360	SCR. TERM	8.3x13	
SW321	VA961800	VOLT. SELCT	ESE-37247-F	(RT)
SW551	VY811700	SW. SLIDE	SS029-P2022BJ6-PA6	
* T301	XZ228A00	TRANS. PWR	(UC)	
* T301	XZ229A00	TRANS. PWR	(RT)	
* T301	XZ230A00	TRANS. PWR	(A)	
* T301	XZ231A00	TRANS. PWR	(BGL)	
* TE301	V5867400	OUTLET. AC	2P	(RT)
⚠ TE301	VT915000	OUTLET. AC	2P	(A)
⚠ TE301	VU543100	OUTLET. AC	2P	(UC)
⚠ TE301	VU543300	OUTLET. AC	1P	(BGL)
XL1	V3930900	RSNR. CRYST	4.332MHz	(BG)

*	RD350000	R. CAR. CHP	0	1/10W
*	RD353100	R. CAR. CHP	1	1/10W
*	RD353220	R. CAR. CHP	2.2	1/10W
*	RD354330	R. CAR. CHP	33	1/10W
*	RD354470	R. CAR. CHP	47	1/16W
*	RD354680	R. CAR. CHP	68	1/16W
*	RD354750	R. CAR. CHP	75	1/10W
*	RD354820	R. CAR. CHP	82	1/10W
*	RD355100	R. CAR. CHP	100	1/10W
*	RD355150	R. CAR. CHP	150	1/10W
*	RD355220	R. CAR. CHP	220	1/10W
*	RD355330	R. CAR. CHP	330	1/10W
*	RD355470	R. CAR. CHP	470	1/10W
*	RD355510	R. CAR. CHP	510	1/16W
*	RD355680	R. CAR. CHP	680	1/10W
*	RD355820	R. CAR. CHP	820	1/10W
*	RD356100	R. CAR. CHP	1K	1/10W
*	RD356120	R. CAR. CHP	1.2K	1/10W
*	RD356150	R. CAR. CHP	1.5K	1/10W
*	RD356160	R. CAR. CHP	1.6K	1/10W
*	RD356180	R. CAR. CHP	1.8K	1/10W
*	RD356220	R. CAR. CHP	2.2K	1/10W
*	RD356270	R. CAR. CHP	2.7K	1/10W
*	RD356330	R. CAR. CHP	3.3K	1/10W
*	RD356430	R. CAR. CHP	4.3K	1/10W
*	RD356470	R. CAR. CHP	4.7K	1/10W
*	RD356510	R. CAR. CHP	5.1K	1/10W
*	RD356560	R. CAR. CHP	5.6K	1/10W
*	RD356680	R. CAR. CHP	6.8K	1/10W
*	RD356820	R. CAR. CHP	8.2K	1/10W
*	RD356910	R. CAR. CHP	9.1	1/10W
*	RD357100	R. CAR. CHP	10K	1/10W
*	RD357150	R. CAR. CHP	15K	1/10W
*	RD357180	R. CAR. CHP	18K	1/10W
*	RD357220	R. CAR. CHP	22K	1/10W
*	RD357470	R. CAR. CHP	47K	1/10W
*	RD357560	R. CAR. CHP	56K	1/10W
*	RD357820	R. CAR. CHP	82K	1/10W
*	RD358100	R. CAR. CHP	100K	1/10W
*	RD358120	R. CAR. CHP	120K	1/10W
*	RD358330	R. CAR. CHP	330K	1/16W
*	RD358470	R. CAR. CHP	470K	1/10W
*	RD358680	R. CAR. CHP	680K	1/10W
*	RD359100	R. CAR. CHP	1M	1/10W
*	RD359220	R. CAR. CHP	2.2M	1/10W

* New Parts

* New Parts

1 ■ EXPLODED VIEW



MECHANICAL PARTS

Ref. No.	PART NO.	Description	Remarks	Markets
* 1-1	V5998300	FRONT PANEL	RX-V800BL	
* 1-1	V5998400	FRONT PANEL	RX-V800GD	
* 1-1	V5998500	FRONT PANEL	RX-V800RDSBL	
* 1-1	V5998600	FRONT PANEL	RX-V800RDSGD	
* 1-1	V5998700	FRONT PANEL	RX-V800RDSTI	
* 1-1	V5998900	FRONT PANEL	HTR-5280BL	
* 1-1	V5999000	FRONT PANEL	HTR-5280GD	
* 1-4	V6003800	ESCUTCHOEN/POWER	BL	
* 1-4	V6003900	ESCUTCHOEN/POWER	GD	
* 1-4	V6004000	ESCUTCHOEN/POWER	TI	
* 1-5	V6004100	ESCUTCHOEN/INPUT	BL	
* 1-5	V6004200	ESCUTCHOEN/INPUT	GD	
* 1-5	V6004300	ESCUTCHOEN/INPUT	TI	
* 1-6	V6004400	ESCUTCHOEN/D5		
* 1-7	V6034100	EMBLEM	V800BLTI	
* 1-7	V6034200	EMBLEM	V800GD,5280BLGD	
* 2-1	V6292000	P.C.B. ASS'Y		(RLT)
* 2-1	V6292100	P.C.B. ASS'Y		(UCA)
* 2-1	V6292200	P.C.B. ASS'Y		(BG)
* 2-11	MF117160	FLEXIBLE FLAT CABLE	17P 160mm	
* 2-12	MF211250	S FLEXIBLE FLAT CABLE	11P 250mm P=1.25	
* 2-13	MF219180	S FLEXIBLE FLAT CABLE	19P 180mm P=1.25	
* 2-21	V5994400	SUB CHASSIS		
* 2-22	V6000000	SUB PANEL/CASE	V800BL,5280BL	
* 2-22	V6000100	SUB PANEL/CASE	RX-V800GD	
* 2-22	V6019600	SUB PANEL/CASE	RX-V800RDSBL	
* 2-22	V6019700	SUB PANEL/CASE	RX-V800RDSGD	
* 2-22	V6019800	SUB PANEL/CASE	RX-V800RDSTI	
* 2-25	V6000600	BUTTON, PLAY	RX-V800BL	
* 2-25	V6000700	BUTTON, PLAY	RX-V800GD	
* 2-25	V6000800	BUTTON, PLAY	V800TI,5280GD	
* 2-25	V6000900	BUTTON, PLAY	HTR-5280BL	
* 2-26	V6000300	BUTTON/INPUT	V800BL,5280BL	
* 2-26	V6000400	BUTTON/INPUT	RX-V800GD	
* 2-26	V6000500	BUTTON/INPUT	V800TI,5280GD	
* 2-27	V6004500	ESCUTCHEON, VOL	V800BL,5280BL	
* 2-27	V6004600	ESCUTCHEON, VOL	RX-V800GD	
* 2-27	V6004700	ESCUTCHEON, VOL	V800TI,5280GD	
* 2-28	V5999700	PANEL, LID	V800BL,5280BL	
* 2-28	V5999800	PANEL, LID	V800GD,5280GD	
* 2-28	V5999900	PANEL, LID	RX-V800TI	
* 2-29	V6005600	PLATE, SP	RX-V800BL	
* 2-29	V6005900	PLATE, SP	RX-V800BL	
* 2-29	V6005700	PLATE, SP	V800GD,5280GD	
* 2-29	V6006000	PLATE, SP	RX-V800GD	
* 2-29	V6006100	PLATE, SP	RX-V800TI	
* 2-29	V6005800	PLATE, SP	HTR-5280BL	
* 2-30	V6005000	HINGE, L	BL	
* 2-30	V6005100	HINGE, L	GD	
* 2-30	V6005200	HINGE, L	TI	
* 2-31	V6005300	HINGE, R	BL	
* 2-31	V6005400	HINGE, R	GD	
* 2-31	V6005500	HINGE, R	TI	

* New Parts

Ref. No.	PART NO.	Description	Remarks	Markets
2-32	V4593300	SPRING, LID		
2-33	VZ830300	DAMPER, GEAR	15G	
2-34	VQ368600	PUSH RIVET	P3555-B	
2-36	VY940400	CUSHION, LID	T=0.8	
2-37	VV982000	DAMPER	1x12x12	
* 2-38	V5997900	SUPPORT, HP		
* 2-40	V5998100	STOPPER		
* 2-41	V5998200	EARTH COVER		
2-52	VN413300	BIND HEAD BONDING B-T. SCREW	3x8 MFZN2-BL	
2-54	VG893800	BIND HEAD P-TITE SCREW	2x6 ZMC2-BL	
* 2-55	VG863900	BIND HEAD TAPPING SCREW	2.6x6 ZMC2-BL	
2-56	EP630290	BIND HEAD P-TITE SCREW	3x6 FCRM3-BL	
2-57	EP600830	BIND HEAD B-TITE SCREW	3x8 FCRM3-BL	
* 2-58	V6722700	SHEET/SHIELD		
2-59	V6774400	TAPE/GND		
2-60	VJ204800	PW HEAD S-TITE SCREW	3x6-8 FCRM3-BL	
* 3-1	V6238900	P.C.B. ASS'Y	MAIN	(UC)
* 3-1	V6239000	P.C.B. ASS'Y	MAIN	(RT)
* 3-1	V6239100	P.C.B. ASS'Y	MAIN	(A)
* 3-1	V6239200	P.C.B. ASS'Y	MAIN	(BGL)
* 3-11	V5994800	HEAT SINK		
3-21	V2461000	SUPPORT, TR		
3-22	VV849300	SHEET	19x24	
3-25	VQ368600	PUSH RIVET	P3555-B	
3-31	VK173200	SCREW, TRANSISTOR	3x15 SP FCM3	
3-33	VT669300	PW HEAD B-TITE SCREW	3x8-8 MFC2	
* 6	V6234100	P.C.B. ASS'Y	POWER	(UC)
* 6	V6234200	P.C.B. ASS'Y	POWER	(RT)
* 6	V6234300	P.C.B. ASS'Y	POWER	(A)
* 6	V6234400	P.C.B. ASS'Y	POWER	(B)
* 6	V6234500	P.C.B. ASS'Y	POWER	(G)
* 6	V6234600	P.C.B. ASS'Y	POWER	(L)
* 7	V6235400	P.C.B. ASS'Y	DSP	
* 8	V6241500	P.C.B. ASS'Y	FUNCTION	(UC)
* 8	V6241600	P.C.B. ASS'Y	FUNCTION	(RT)
* 8	V6241700	P.C.B. ASS'Y	FUNCTION	(AL)
* 8	V6241800	P.C.B. ASS'Y	FUNCTION	(BG)
* 9	V6252200	P.C.B. ASS'Y	VIDEO	(U)
* 9	V6252300	P.C.B. ASS'Y	VIDEO	(RT)
* 9	V6252400	P.C.B. ASS'Y	VIDEO	(ABGL)
* 9	V6674700	P.C.B. ASS'Y	VIDEO	(C)
* 11	V6166300	AM/FM TUNER	TFCE1U213A U	(UCRT)
* 11	V6166400	AM/FM TUNER	TFCE1E213A G	(ABGL)
* 14	XZ277A00	POWER TRANSFORMER		(U)
* 14	XZ278A00	POWER TRANSFORMER		(C)
* 14	XZ279A00	POWER TRANSFORMER		(RT)
* 14	XZ280A00	POWER TRANSFORMER		(A)
* 14	XZ281A00	POWER TRANSFORMER		(BGL)
* 16	V2296800	POWER CORD ASS'Y		(A)
* 16	V2363800	POWER CORD ASS'Y		(UC)
* 16	VN363700	POWER CORD ASS'Y		(GL)
* 16	VV437300	POWER CORD ASS'Y		(B)
* 16	VZ542500	POWER CORD ASS'Y		(RT)

* New Parts

Ref. No.	PART NO.	Description	Remarks	Markets
17	V2438700	CORD STOPPER	10P1	
21	VU590000	BINDING TIE	CBTD001B	(RT)
25	MF111160	FLEXIBLE FLAT CABLE	11P 160mm	
* 26	MF112100	FLEXIBLE FLAT CABLE	12P 100mm P=1.25	
27	MF112200	FLEXIBLE FLAT CABLE	12P 200mm	
28	MF114100	FLEXIBLE FLAT CABLE	14P 100mm	
* 29	MF115070	FLEXIBLE FLAT CABLE	15P 70mm P=1.25	
30	MF211300	S FLEXIBLE FLAT CABLE	11P 300mm	
* 31	MF231100	S FLEXIBLE FLAT CABLE	31P 100mm P=1.25	
* 101	V5994000	TOP COVER		BL
* 101	V5994100	TOP COVER		GD
* 101	V5994200	TOP COVER		TI
* 102	V5994300	CHASSIS		
* 103	V5995900	REAR PANEL		RX-V800 (U)
* 103	V5996000	REAR PANEL		RX-V800 (C)
* 103	V5996100	REAR PANEL		RX-V800 (RT)
* 103	V5996200	REAR PANEL		RX-V800 (A)
* 103	V5996300	REAR PANEL		RX-V800 (L)
* 103	V5996500	REAR PANEL		RX-V800RDS (B)
* 103	V5996600	REAR PANEL		RX-V800RDS (G)
* 103	V5996700	REAR PANEL		HTR-5280 (U)
* 103	V5996800	REAR PANEL		HTR-5280 (C)
* 103	V5996900	REAR PANEL		HTR-5280 (RT)
* 103	V5997000	REAR PANEL		HTR-5280 (A)
* 109	V5994600	SHIELD CASE		
* 110	V5994700	SHIELD CASE COVER		
111	V2460900	FRAME, PCB		
* 112	V5994500	FRAME, TRANSFORMER		
* 113	V5995100	FRAME, LCD		
* 114	V5995200	SUPPORT/TOP		
* 115	V5995300	SUPPORT/PCB-R		
* 116	V5995400	SUPPORT/PCB-FRONT		
* 117	V5995600	SUPPORT/PCB-TOP		
118	V6940700	SUPPORT/ST		
119	VQ775900	EARTH PLATE 860	CDC-645ML	(UC)
120	V0042500	LEG	D60xH21	V800GD, 5280GD
120	VS025000	LEG	D60xH21	V800BL, V800TI
120	VV544300	LEG	D60xH21	HTR-5280BL
* 132	V6002200	KNOB D43		BL
* 132	V6002300	KNOB D43		GD
* 132	V6002400	KNOB D43		TI
* 133	V6001300	KNOB D20		BL
* 133	V6001400	KNOB D20		GD
* 133	V6001500	KNOB D20		TI
* 135	V6001900	BUTTON D5		BL
* 135	V6002000	BUTTON D5		GD
* 135	V6002100	BUTTON D5		TI
136	VQ368600	PUSH RIVET	P3555-B	
137	VQ368500	PUSH RIVET	P3545-B	
139	V5454200	DAMPER	2/10/260	
140	V2879500	SPACER PCB-M		
141	VR264400	SPACER	H8	
* 142	V6006700	SHEET, WINDOW		

* New Parts

Ref. No.	PART NO.	Description	Remarks	Markets
* 143	V6002500	PLATE/SIDE L	BL	
* 143	V6002700	PLATE/SIDE L	GD	
* 143	V6002800	PLATE/SIDE L	TI	
* 144	V6002900	PLATE/SIDE R	BL	
* 144	V6003000	PLATE/SIDE R	GD	
* 144	V6003100	PLATE/SIDE R	TI	
145	V6742100	DAMPER		(RBGT)
146	V6742200	DAMPER		(RBGT)
* 147	V6742300	DAMPER		
148	V6742400	DAMPER		(UC)
161	VN413300	BIND HEAD BONDING B-T. SCREW	3x8 MFZN2-BL	
164	VT669400	PW HEAD B-TITE SCREW	3x15-8 MFC2	
165	21991500	PW HEAD S-TITE SCREW	4x8-10 FCRM3-BL	
166	EP600250	BIND HEAD B-TITE SCREW	3x8 ZMC2-Y	
167	VT669300	PW HEAD B-TITE SCREW	3x8-8 MFC2	
168	VY731200	BONDING HEAD TAPPING SCREW	3x10 MFN133	
169	VK522000	SPECIAL SCREW S-TITE	4x8-10 FCRM3-BL	BL
* 169	VK522100	SPECIAL SCREW S-TITE	4x8-10 FNM3-BL	TI
169	VZ893000	DECORATED SCREW S-TIGHT	4x8-10 MFN1-33	GD
170	AA627310	GROUND TERMINAL		
171	21991500	PW HEAD S-TITE SCREW	4x8-10 FCRM3-BL	BL
171	VDO69600	PW HEAD S-TITE SCREW	4x8-10 MFN1-33	GD
171	VH313200	BW HEAD S-TITE SCREW	4x8-10 FNM3-BL	TI
172	EP630210	BIND HEAD S-TITE SCREW	3x6 ZMC2-BL	
174	VJ204800	BRAZIER W.H. TAP. SCREW	3x6 MFC2-BL	
175	V6957300	SPACER	9x35x11.6T	
		ACCESSORIES		
* 200	V5964600	REMOTE CONTROL TRANSMITTER	BW0782 RAV212	(UCRALT)
* 200	V5964700	REMOTE CONTROL TRANSMITTER	BW0783 RAV213	(BG)
200-1	AAX14030	LID		
* 202	V6267000	ANTENNA, FM	1.4m	(UCRT)
202	VQ147100	ANTENNA, FM	1.4m	(ABGL)
203	VR248500	ANTENNA, AM LOOP	1.0m	
204	VE364900	ANTENNA ADAPTER BATTERY, MANGANESE	PAL 75-300 SUM-4,AAA,R03	(B)

* New Parts

Parts List for Carbon Resistors

Value	1/4W Type Part No.	1/6W Type Part No.	Value	1/4W Type Part No.	1/6W Type Part No.
1.0	HJ35 3100	HF85 3100	10 k	HF45 7100	HF45 7100
1.8	HJ35 3180	*	11 k	HF45 7110	HF45 7110
2.2	HJ35 3220	HF85 3220	12 k	HJ35 7120	HF85 7120
3.3	HJ35 3330	HF85 3330	13 k	HF45 7130	HF45 7130
4.7	HJ35 3470	HF85 3470	15 k	HF45 7150	HF45 7150
5.6	HJ35 3560	HF85 3560	18 k	HF45 7180	HF45 7180
10	HF45 4100	HF45 4100	22 k	HF45 7220	HF45 7220
15	HJ35 4150	HF85 4150	24 k	HF45 7240	HF45 7240
22	HF45 4220	HF45 4220	27 k	HJ35 7270	HF85 7270
27	HJ35 4270	HF85 4270	30 k	HF45 7300	HF45 7300
33	HF45 4330	HF45 4330	33 k	HF45 7330	HF45 7330
39	HJ35 4470	HF85 4390	36 k	HF45 7360	HF45 7360
47	HF45 4470	HF45 4470	39 k	HF45 7390	HF45 7390
56	HF45 4560	HF45 4560	47 k	HF45 7470	HF45 7470
68	HF45 4680	HF45 4680	51 k	HF45 7510	HF45 7510
75	HF45 4750	HF45 4750	56 k	HF45 7560	HF45 7560
82	HF45 4820	HF45 4820	62 k	HF45 7620	HF45 7620
91	HF45 4910	HF45 4910	68 k	HF45 7680	HF45 7680
100	HF45 5100	HF45 5100	82 k	HF45 7820	HF45 7820
110	HJ35 5110	HF85 5110	91 k	HF45 7910	HF45 7910
120	HF45 5120	HF45 5120	100 k	HF45 8100	HF45 8100
150	HF45 5150	HF45 5150	110 k	HF45 8110	HF45 8110
160	HJ35 5160	*	120 k	HF45 8120	HF45 8120
180	HF45 5180	HF45 5180	150 k	HF45 8150	HF45 8150
200	HF45 5200	HF45 5200	180 k	HF45 8180	HF45 8180
220	HF45 5220	HF45 5220	220 k	HJ35 8220	HF85 8220
270	HF45 5270	HF45 5270	270 k	HF45 8270	HF45 8270
330	HF45 5330	HF45 5330	300 k	HF45 8300	HF45 8300
390	HF45 5390	HF45 5390	330 k	HF45 8330	HF45 8330
430	HF45 5430	HF45 5430	390 k	HJ35 8390	HF85 8390
470	HF45 5470	HF45 5470	470 k	HF45 8470	HF45 8470
510	HF45 5510	HF45 5510	560 k	HJ35 8560	HF85 8560
560	HF45 5560	HF45 5560	680 k	HJ35 8680	HF85 8680
680	HF45 5680	HF45 5680	820 k	HJ35 8820	HF85 8820
820	HF45 5820	HF45 5820	1.0 M	HF45 9100	HF45 9100
910	HF45 5910	HF45 5910	1.2 M	HJ35 9120	*
1.0 k	HF45 6100	HF45 6100	1.5 M	HJ35 9150	HF85 9150
1.2 k	HF45 6120	HF45 6120	1.8 M	HJ35 9180	HF85 9180
1.5 k	HF45 6150	HF45 6150	2.2 M	HJ35 9220	HF85 9220
1.8 k	HF45 6180	HF45 6180	3.3 M	HJ35 9330	HF85 9330
2.0 k	HJ35 6200	HF85 6200	3.9 M	HJ35 9390	*
2.2 k	HF45 6220	HF45 6220	4.7 M	HJ35 9470	HF85 9470
2.4 k	HJ35 6240	HF85 6240			
2.7 k	HF45 6270	HF45 6270			
3.0 k	HF45 6300	HF45 6300			
3.3 k	HF45 6330	HF45 6330			
3.6 k	HJ35 6360	HF85 6360			
3.9 k	HF45 6390	HF45 6390			
4.7 k	HF45 6470	HF45 6470			
5.1 k	HF45 6510	HF45 6510			
5.6 k	HF45 6560	HF45 6560			
6.8 k	HF45 6680	HF45 6680			
8.2 k	HF45 6820	HF45 6820			
9.1 k	HF45 6910	HF45 6910			

1/4W Type

HJ35
10mm

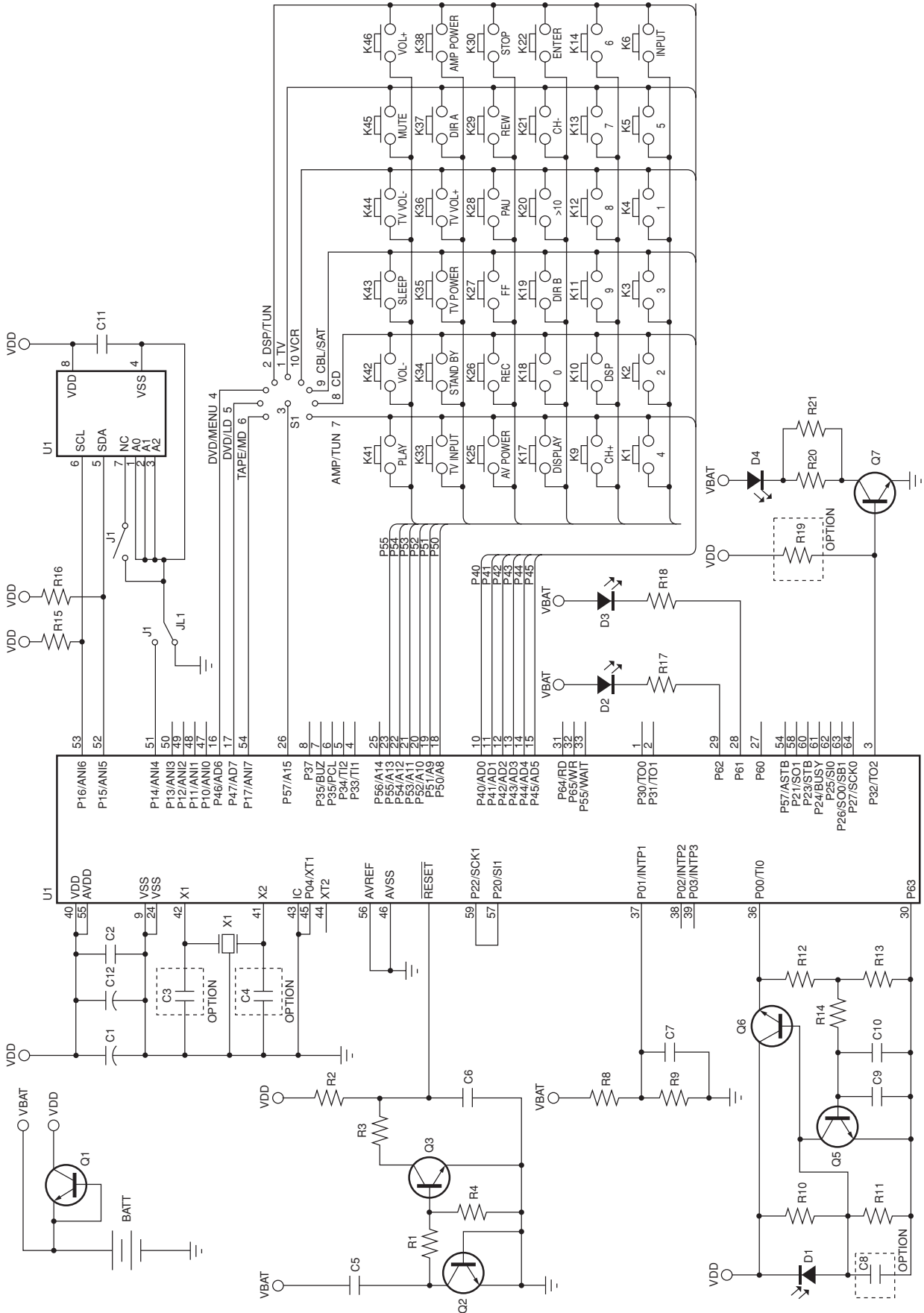
1/6W Type

HF85
5mm

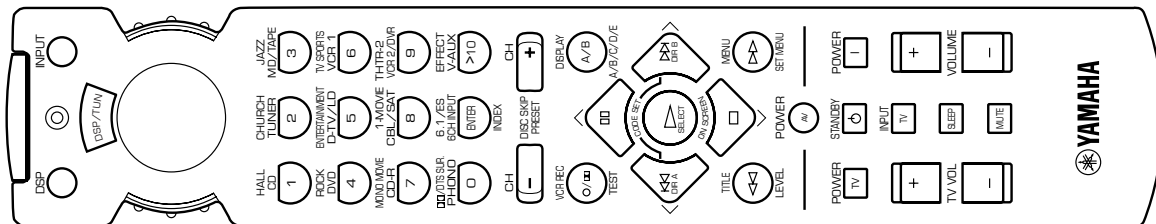
* : Not available

1 ■ REMOTE CONTROL TRANSMITTER

● SCHEMATIC DIAGRAM



Function Keychart



NO	DSP	TV	VCR	CABLE/SAT	CD	AMP/TUNER	TAPE/MD	DVD MENU	DVD/LD	DSP/TUNER
1	DSP INPUT									
2	INPUT									
3	1	CH1	CH1	CH1	1	CD	1	1	1	HALL P1
4	2	CH2	CH2	CH2	2	TUNER	2	2	2	CHURCH P2
5	3	CH3	CH3	CH3	3	MD/TAPE	3	3	3	JAZZ P3
6	4	CH4	CH4	CH4	4	DVD	4	4	4	ROCK P4
7	5	CH5	CH5	CH5	5	D-TV/LD	5	5	5	ENTERTAINMENT P5
8	6	CH6	CH6	CH6	6	VCR1	6	6	6	TV SPORTS P6
9	7	CH7	CH7	CH7	7	CD-R	7	7	7	MONO MOVIE P7
10	8	CH8	CH8	CH8	8	CBL/SAT	8	8	8	MOVIE THTR1 P8
11	9	CH9	CH9	CH9	9	VCR2/DVR	9	9	9	MOVIE THTR2 -
12	0	CH0	CH0	CH0	0	PHONO	0	0	0	DD/difs SUR -
13	ENTER	CH Enter/Recall	CH Enter/Recall	CH Enter	INDEX	6CH INPUT	-	INDEX	INDEX	6.1ES -
14	>10	CH Enter/Recall	CH Enter/Recall	CH Enter	INDEX	V AUX	+10	+10	+10	EFFECT -
15	CH+	TV CH+	VCR CH+	CBL/SAT CH+	DISC+	PRESET+	-	DISC+	DISC+	PRESET+ <
16	CH-	TV CH-	VCR CH-	CBL/SAT CH-	DISC-	PRESET-	-	DISC-	DISC-	PRESET- <
17	REC	VCR REC	VCR REC	-	-	TEST	REC/PAUSE	RETURN	-	TEST <
18	DISPLAY	DISPLAY	DISPLAY	DISPLAY/GUIDE	DISPLAY	A/B/C/D/E	DISPLAY/A-B	DISPLAY	DISPLAY	A/B/C/D/E <
19	PAUSE	VCR PAUSE	VCR PAUSE	Up	PAUSE	Up	PAUSE	Up	PAUSE	Up <
20	SKIP-	-	-	Left	SKIP-	Left	SKIP-/DIR A	Left	SKIP/CHAP-	Left <
21	PLAY	VCR PLAY	-	Menu Select	PLAY	ON SCREEN	PLAY	Select	PLAY	ON SCREEN <
22	SKIP+	-	-	Right	SKIP+	Right	SKIP+/DIR B	Right	SKIP/CHAP+	Right <
23	STOP	VCR STOP	VCR STOP	Down	STOP	Down	STOP	Down	STOP	Down <
24	REW	VCR REW	VCR REW	RECALL	REW	TIME/LEVEL	REW	TITLE	REW	TIME/LEVEL <
25	FF	VCR FF	VCR FF	MENU	FF	SET MENU	FF	MENU	FF	SET MENU <
26	AV POWER	VCR POWER	VCR POWER	CBL/SAT POWER	CD POWER	-	TAPE/MD POWER	DVD/LD POWER	-	<
27	TV POWER					TV POWER				
28	STANDBY					STANDBY(OFF)				
29	POWER					AMP POWER				
30	TV VOL+					TV VOL+				
31	TV VOL-					TV VOL-				
32	TV INPUT					TV INPUT				
33	SLEEP	TV SLEEP	TV SLEEP			SLEEP				
34	MUTE	TV MUTE	TV MUTE			MUTE				
35	VOL+					VOL+				
36	VOL-					VOL-				
	Library Change Device	TV	VCR	CABLE/SAT SAT/SAT	CD	TUNER	TAPE	(DVD)	DVD/LD	TUNER 0023 LD 0023
	Default	0101	0002	0006	0005(Yamaha)	0003(AMP)	0004(Yamaha)	0008(Yamaha)	x	0013(DSP)

RX-V800/RX-V800RDS/HTR-5280

