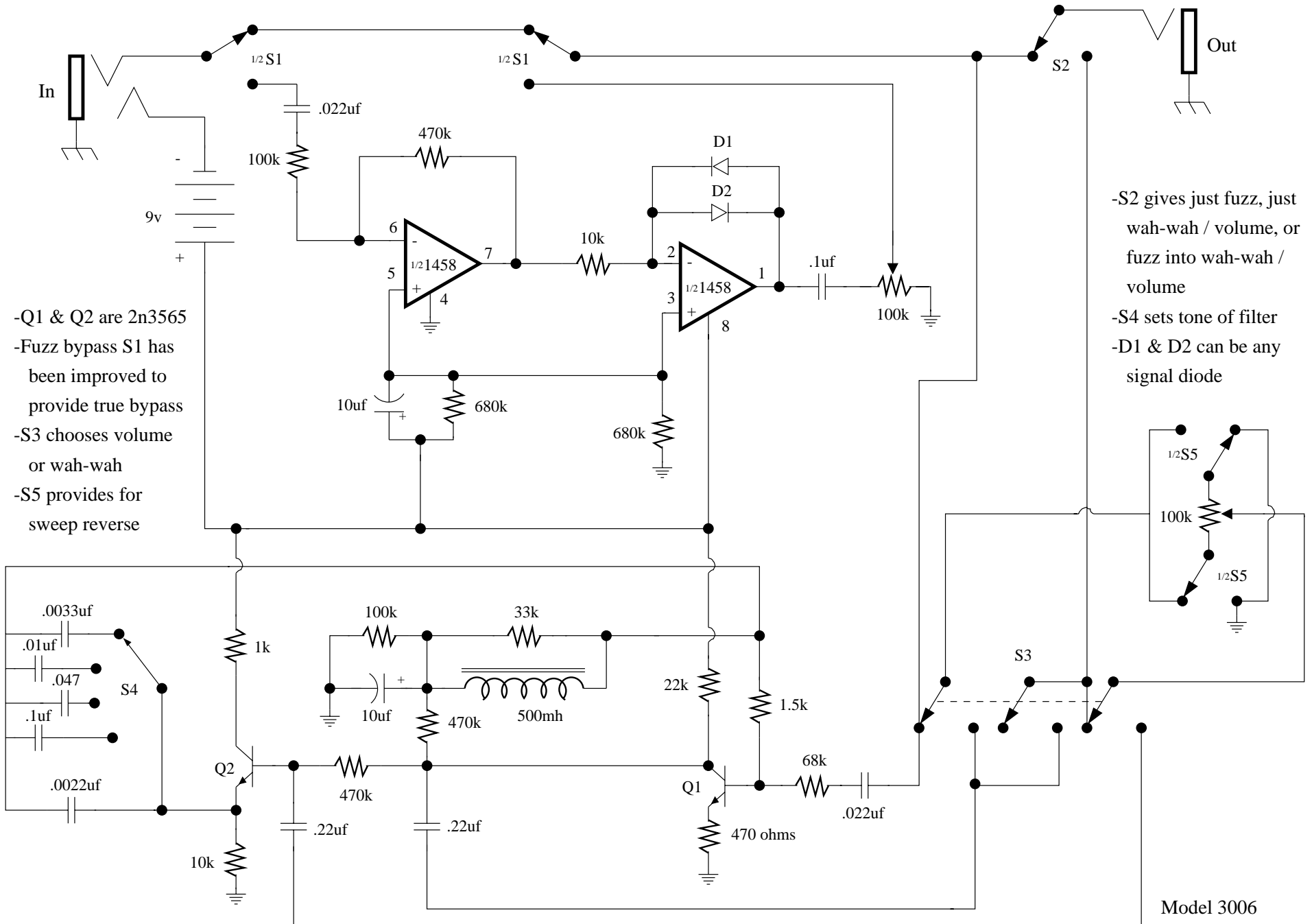


Electro Harmonix Fuzz-Wah

(Actually Fuzz-Wah/Volume)



-Q1 & Q2 are 2n3565
 -Fuzz bypass S1 has been improved to provide true bypass
 -S3 chooses volume or wah-wah
 -S5 provides for sweep reverse

-S2 gives just fuzz, just wah-wah / volume, or fuzz into wah-wah / volume
 -S4 sets tone of filter
 -D1 & D2 can be any signal diode

