

### MAGNETIC PHONO INPUT

"LC" preamps are equipped with an RIAA equalizing amplifier circuit. This circuit can be connected or disconnected at time of installation by inserting the "short circuited phone plug" in the "on" or the "off" socket at rear of preamp. This circuit should be disconnected when not in use. The phone input cable shield should never be used to ground the turn-table body or the preamplifier. A separate conductor should be used and connected to the grounding screw provided on the preamp, near the phono input socket. Severe hum may result, especially with magnetic cartridges, if this precaution is omitted.

### TONE CONTROLS AND SPEECH FILTER

"LC" preamps are equipped with "Bass" and "Treble" controls. Frequency response is flat when these controls are in center position. Tone controls have no effects on the mic inputs while the speech filter affects only the mic inputs. It is therefore possible to obtain high intelligibility from the microphone and at the same time "rich" music reproduction from the other sources.

### SOURCE SELECTOR

While most program sources can be turned off, turn-tables differ in that the cartridge remains alive and can pick-up noise and vibrations even though the motor is turned off. Preamp LC203-U and LC603-U is equipped with a "Phono-Aux" selector. The "Phono" position turns on the crystal or magnetic phono input and the "Aux." position turns on the other program sources. The Model LC303-U has a I-position source selector.

### RECORD-PLAYBACK SELECTOR

"LC" preamps are equipped with a "Record-Play" selector. This selector mutes either function to prevent electronic feed-back between the preamplifier and the tape deck amplifier.

### SUPPLY AND OUTPUT CONNECTIONS

"LC" preamps, in prior productions, were equipped with a length of cable and a nine pin plug for connection to the amplifier. On future productions, a screw terminal board will be used on the preamps and the amplifiers to facilitate remote and parallel connection.

### MASTER VOLUME CONTROL

Preamp Model LC603-U is equipped with a master control. This control should be used for fade-out only. It should be kept at maximum during all adjustments and normal operating conditions. Bushings are available to hide this control when inexperienced personnel is called to operate the preamplifier.

### CIRCUIT IMPROVEMENT

The "LC" preamps have higher outputs with plenty of "head room". A preamp can drive a large number of amplifiers. Inversely 2 or 3 preamps can have their output in parallel to increase the input facilities. Simple bridging circuits and adaptors are available from factory. Inputs have a wide dynamic range, interaction between controls is very low. Frequency response, distortion and noise factors are excellent.

PREAMPLIFIERS "LC" SERIES

These newly designed preamps are now replacing the 'L' Series. One of their main advantages is that the preamp can be mounted at a distance as a remote preamp or can be mounted directly over the amplifier to form a single unit. These preamps come with hardware for both types of mounting. The power amplifiers will now be supplied with a 7" (17.8 cm) front cover equipped with a monitor speaker. The suffix RM is added to the old number, e.g. LS040 is now LS040RM. The power amplifiers come with 7" (17.8 cm) mounting brackets.

CABINET MODEL CP 01OLS FOR WALL MOUNTING

Remains unchanged.

REMOTE MOUNTING OF "LS" PREAMP.

Install the 3" (7.6 cm) mounting brackets on each side of the preamp and then mount the unit on the rack in the conventional manner.

MOUNTING THE "LS" PREAMP DIRECTLY OVER THE POWER AMPLIFIER IN A RACK

Use the 7" (17.8 cm) brackets to mount the power amplifier in the rack, leaving 3-1/2" (8.9 cm) of space over the amplifier for the preamp. Keep the amplifier front cover open and mount the preamp over the cover top edge using the two screws provided. The screws should be pushed from the front cover edge into the preamp. Place the nuts over the screws, inside the preamp, and tighten well. The two 3" (7.6 cm) side brackets are used as stoppers and should be mounted loosely on the rack over the 7" (17.8 cm) brackets. Close the cover carefully and adjust the 3" (7.6 cm) brackets to clear the preamp sides, then tighten.

MOUNTING THE "LS" PREAMP AND AN AMPLIFIER IN A CP 01 OLS CABINET

Discard the mounting brackets. Mount the amplifier in the cabinet and install the preamp on the amplifier cover top edge as previously described.

VUMETER AND OUTPUT LEVEL

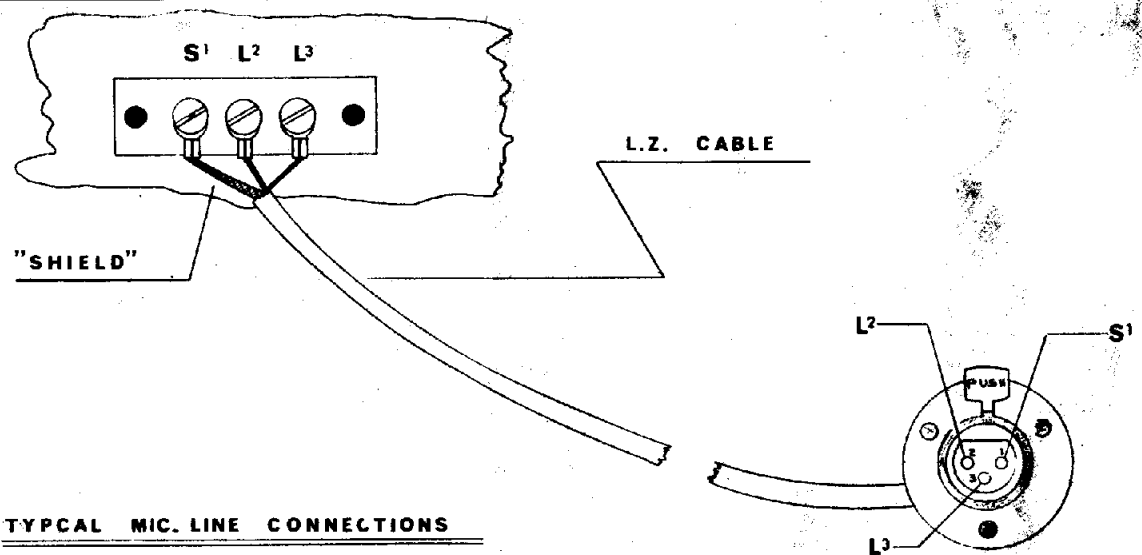
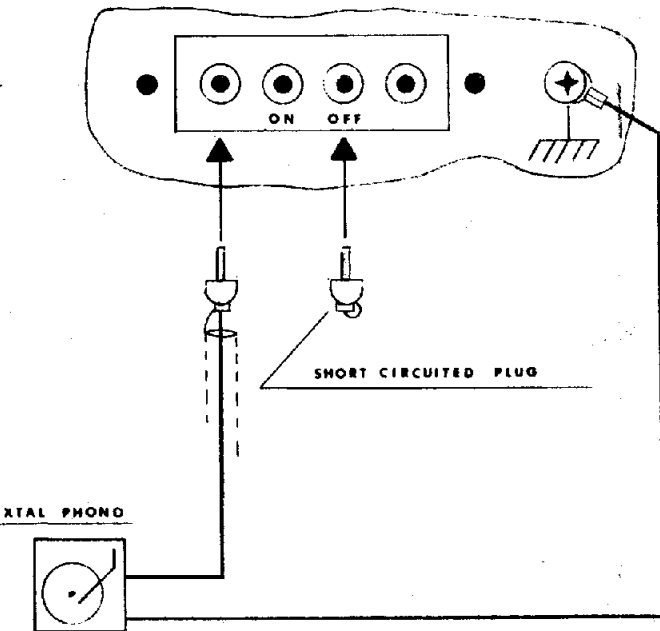
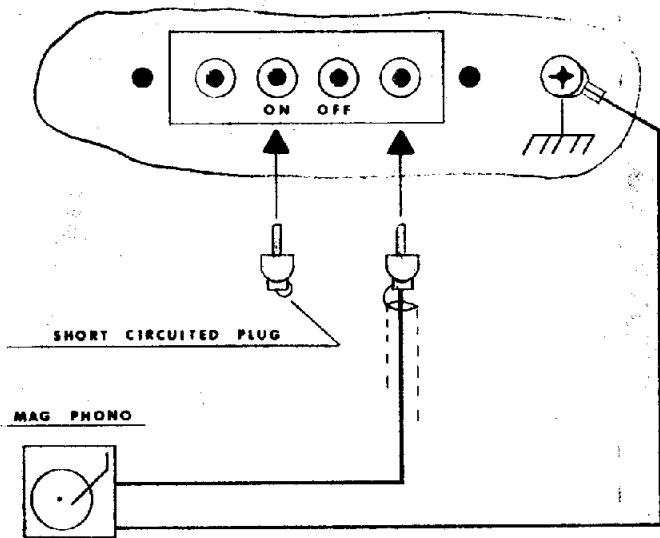
"LC" preamp comes equipped with a VU meter. The VU meter is factory adjusted to read 3 VU with 0.78 volt rms output when a steady signal (signal generator) is fed at the input. With an equivalent speech or music signal the reading will seldom exceed 0 VU reference.

ADJUSTING THE PREAMP AND AMPLIFIER LEVEL

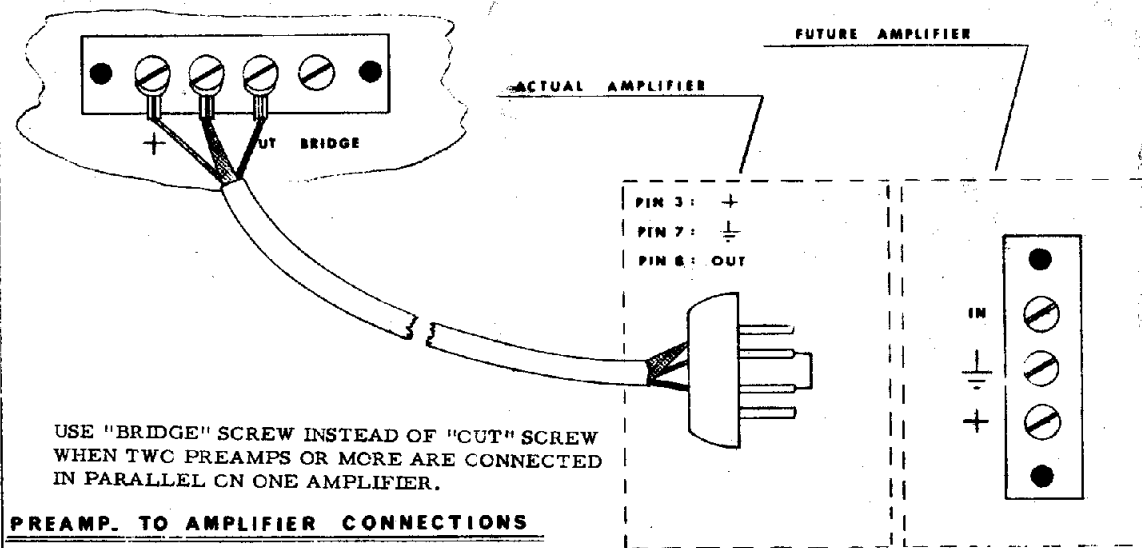
Make sure that the loudspeakers and amplifier output taps are correct. Turn down the amplifier input volume control fully counterclockwise. This volume control is located at the extreme left inside the amplifier and should not be confused with the bias control located at center or right end of amplifier. Feed a signal at one of the preamp inputs (preferably music with strong passages). Adjust the preamp volume control to obtain a good reading on the VU meter, then raise the amplifier volume control until the loudspeakers deliver the desired level.

MICROPHONE INPUTS

Microphone inputs are designed for low impedance balanced microphones and are now equipped with screw terminals. Cables for microphone lines shall consist of one shielded twisted pair of conductors. The screw marked "S" is used solely for the cable shield. The two screws marked "L" are used for the two conductors. When the microphone or mic line transformer is equipped with a switch on one side of the line, this side, of the line must be connected on the left "L" screw (looking at it from the rear). This line is usually identified by number "2" on the microphone socket, while the other line is identified by number "3" and the shield by number "1". On future productions the three input screws will be identified as L1, L2 and S1 to match microphone and XLR sockets.



TYPICAL MIC. LINE CONNECTIONS

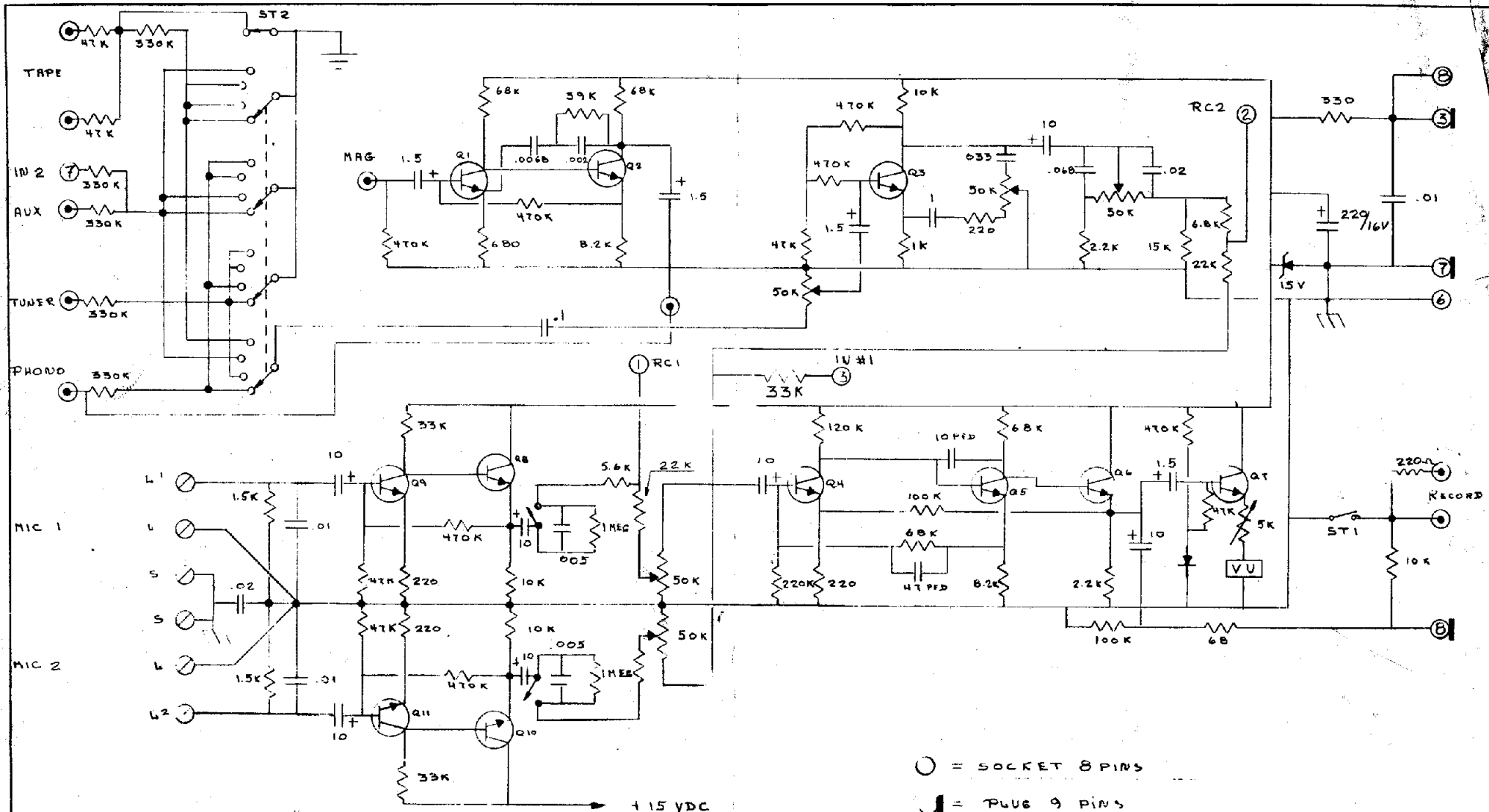


PREAMP. TO AMPLIFIER CONNECTIONS

REV.	DESCRIPTION PRÉCÉDENTE	REV. PAR.	APPRO. PAR.	CREATION DATE	VER. DATE	SCHELLE	ELECTRO-VOX	DESIGN No	DRAWING No
3									
2									
1				DESIGNED: ROUSSEI DATE 13 MAI 76	APPRO. DATE	TOLEANCE EN 2.000 EN 2.500		9/1337-16	

TITRE LC PREAMPS CONNECTIONS 9-AD152

DESIGN No 9/1337-16  
DRAWING No



- 1- Q1 A Q11 = BC169C
- 2- ALL CAPACITORS ARE IN NFD EXCEPT OTHERWISE SPECIFICATIONS
- 3- ALL RESISTORS 1/2 W

○ = SOCKET 8 PINS  
 ⊏ = PLUS 9 PINS

3		IMP		TYPE	SCHEMATIC DIAGRAM PREAMP MODEL	
2					LC 303XU	
1				CREATION	DATE	0 OCT 75
REV.	DESCRIPTION PRÉCÉDENTE	REV. PAR.	APPRO. PAR.	DESIGNER	DATE	3 DEC 75
				VEN. DATE	APPRO. DATE	
				ELECTRO VOX		DESIGN No. DRAWING No. 9/1337-11