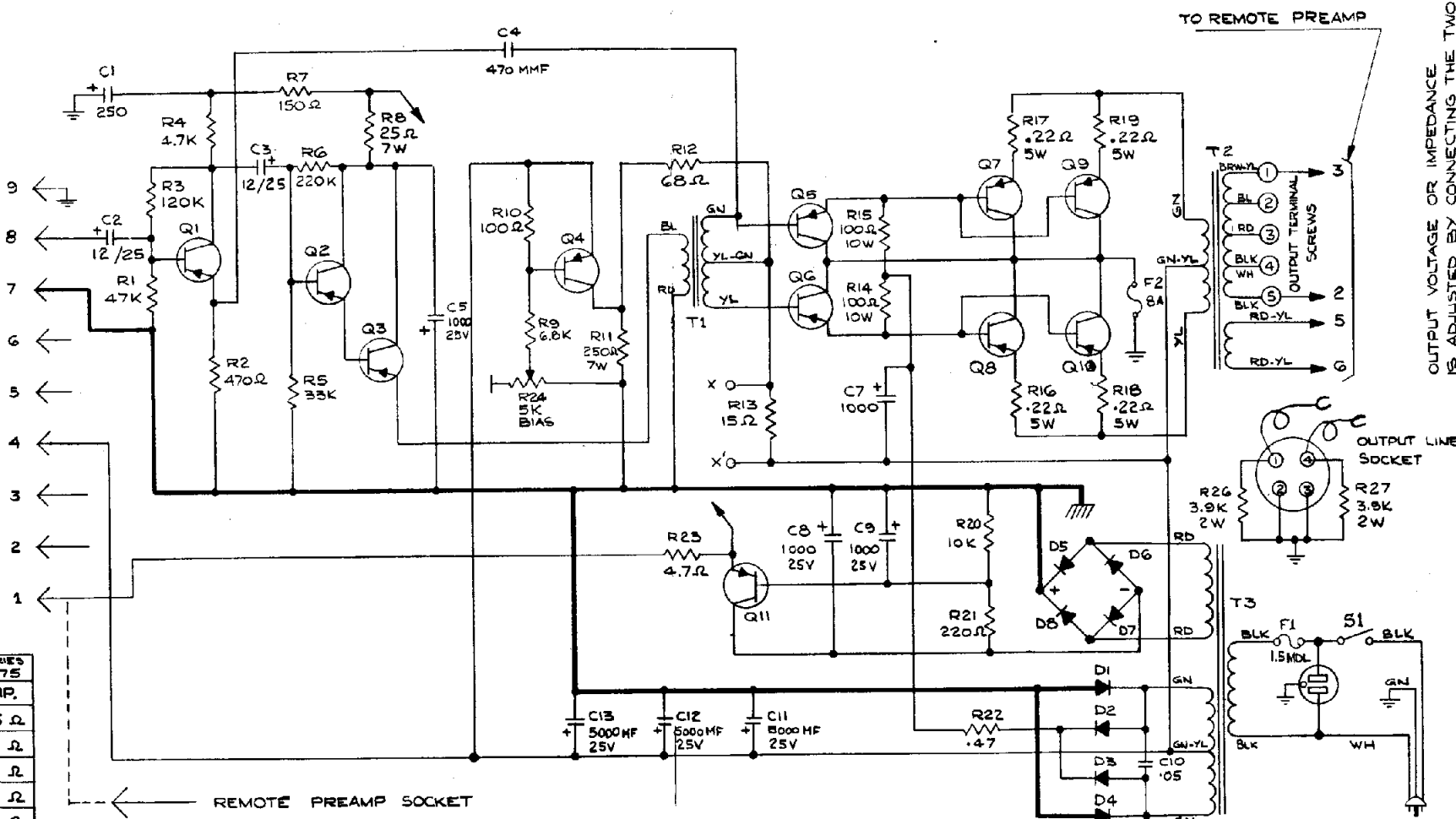




FRONT PANEL "H" IS TO BE USED WITH
REMOTE PREAMP ONLY.
OTHER FRONT PANELS WITH A CHOICE
OF BUILT IN PREAMP. ARE AVAILABLE.



TO REMOTE PREAMP

OUTPUT VOLTAGE OR IMPEDANCE
IS ADJUSTED BY CONNECTING THE TWO
JUMPERS WIRES OF THE OUTPUT SOCKET
ON THE OUTPUT TERMINAL SCREWS AS
INDICATED IN THE OUTPUT CHART.

OUTPUT LINE
SOCKET

CONSUMPTION: NO SIGNAL: 0.32 AMP
FULL SIGNAL: 1.32 AMP

MODEL LT	OUTPUT TAPS	SERIES 1075 VOLTS	# IMP.
	1-2	5	0.5 Ω
	3-4	10	2 Ω
	2-3	15	4 Ω
	1-3	20	6 Ω
	2-4	25	8 Ω
	1-4	30	16 Ω
	4-5	40	25 Ω
	3-5	50	40 Ω
	2-5	65	60 Ω
	1-5	70	65 Ω

*CLOSEST STANDARD VALUES

REV.		DESCRIPTION PRÉCÉDENTE	REV. PAR.	APPRO. PAR.	DATE	TITRE	VERIF. DATE	ÉCHELLE	DESSIN No	DRAWING No.
3						POWER AMPLIFIER				
2						MODEL LT SERIES 1075				
1										

ELECTRO VOX
B-9380-A