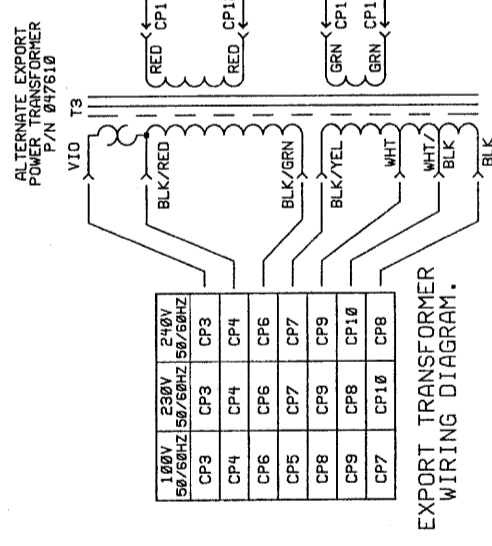
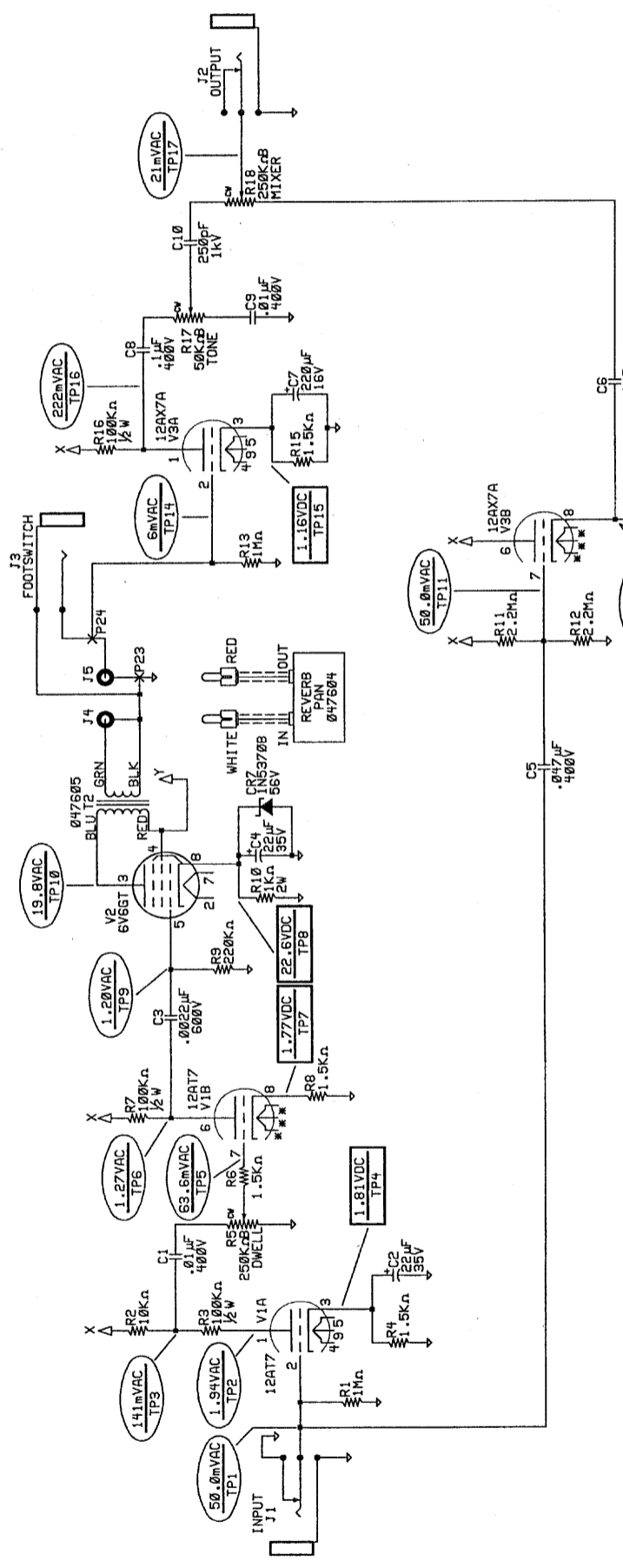
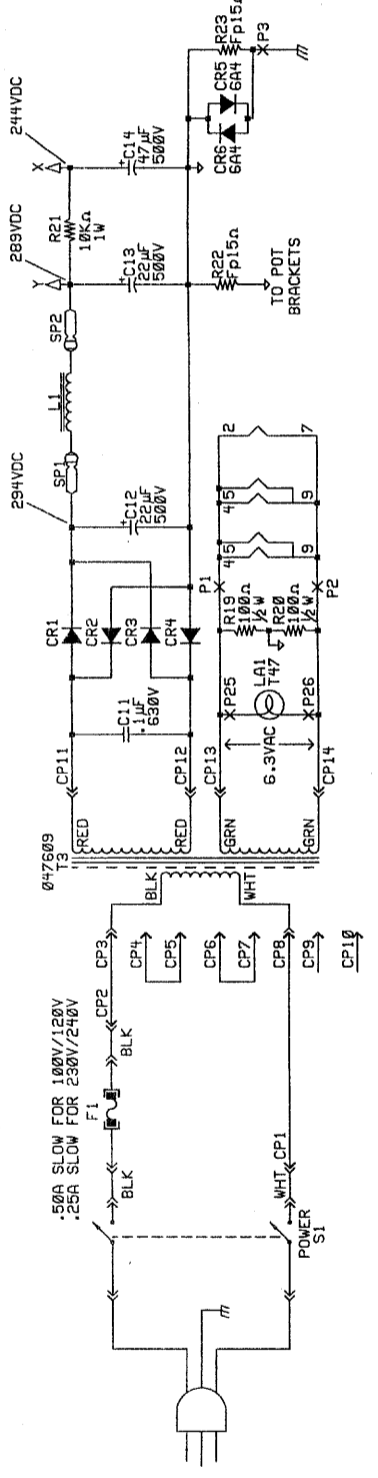


REVISIONS			
ZONE	REV. DESCRIPTION	DATE	APPROVED
A	RELEASED PR# 263	28-JAN-94	PW
B	ECO LO 2891	25-APR-94	MH



VOLTS	WATTS	FREQ	WINDING
1.00V	230W	240V	CP3
50/60HZ	50/60HZ	50/60HZ	CP4
			CP5
			CP6
			CP7
			CP8
			CP9
			CP10
			CP11

EXPORT TRANSFORMER WIRING DIAGRAM.



NOTES: (UNLESS OTHERWISE SPECIFIED)
 1.) ALL RESISTORS 1/4W.
 2.) ALL DIODES 1N4006 (1N5062).
 3.) 6-DIGIT NUMBERS ARE FENDER PART NUMBERS.
 4.) ALL VOLTAGES MEASURED WITH RESPECT TO GROUND USING A DVM OF AT LEAST 1MΩ AC INPUT IMPEDANCE AND 10kΩ DC INPUT IMPEDANCE. TEST CONDITIONS: LINE VOLTAGE 120VAC 60HZ. FOOTSWITCH CONNECTED, REVERB ON. ALL CONTROLS 50% ROT. SIGNAL VOLTAGES MAY VARY +5%,-10%. INPUT SIGNAL 1KHZ SINE.
 5.) LAST INSTANCES: C14, CR4, CP16, J3, L1, LA1, R23, SP2, T2, Y3

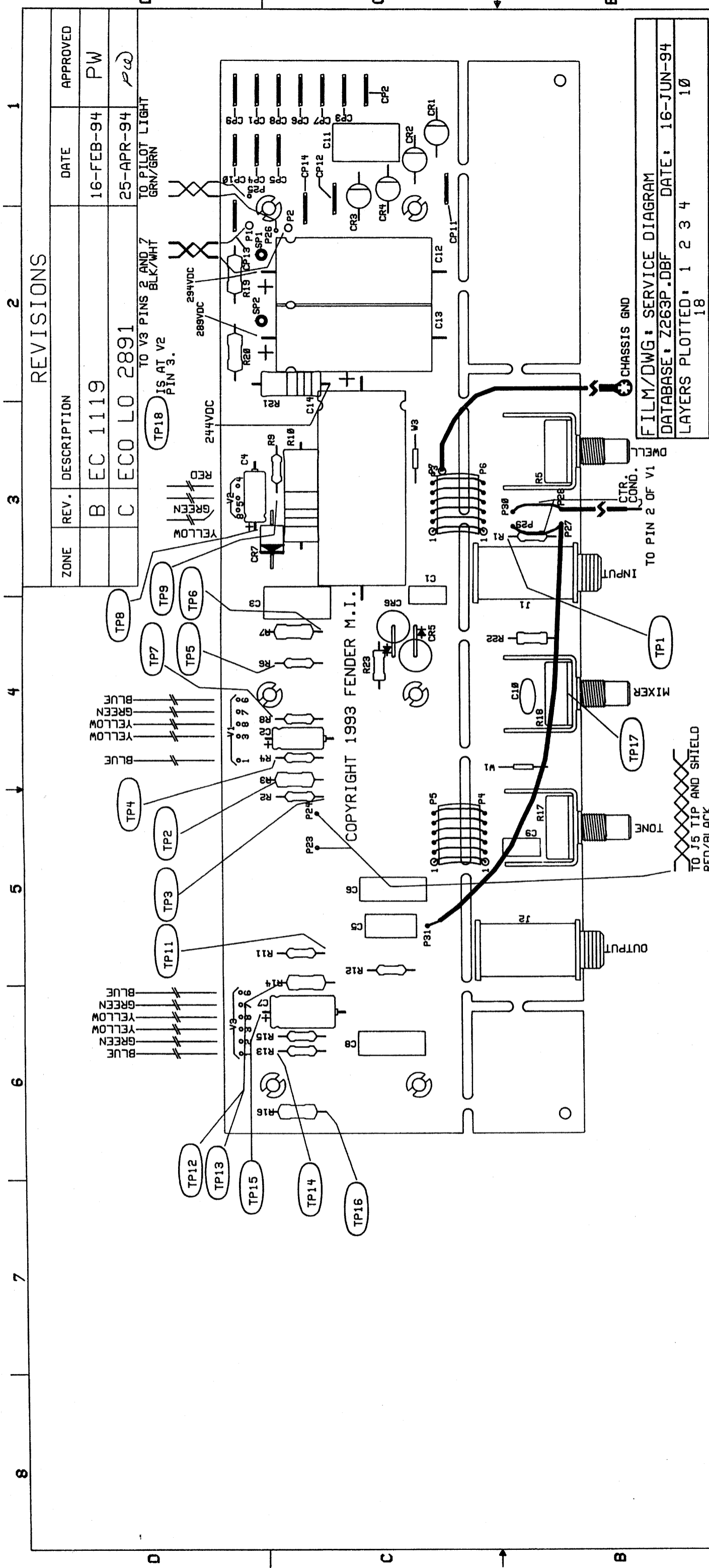
PROPRIETARY
 THIS DRAWING DOCUMENT CONTAINS INFORMATION WHICH IS PROPRIETARY TO FENDER MUSICAL INSTRUMENTS CO. AND IS UNLOANED TO ANY PARTY WITHOUT THE EXPRESS WRITTEN PERMISSION OF FENDER MUSICAL INSTRUMENTS CO.
 FENDER MUSICAL INSTRUMENTS CO.
 1130 COLUMBIA STREET
 BREA, CA 92621

DATABASE FILE:
 Z6635.DBF
CHECKED BY: P. WIERS
DATE: 24-JUN-94
APPROVED: P. WIERS
DATE: 24-JUN-94
TOLERANCES: UNLESS OTHERWISE SPECIFIED
 X.X
 X.XX
 X.XXX
 ANGLES
 #0.500°

MUSICAL INSTRUMENTS
 1130 Columbia Street
 Brea, CA 92621

TITLE: '63 FENDER REVERB SCHEMATIC DIAGRAM
REV.: B
SIZE: D
DRAWN: P. WIERS
DRAWING NUMBER: 047592
ENGR: P. WIERS
CREATED: 11-NOV-93
SCALE: NONE
PLOTTED: 25-DEC-97

SCALE: NONE
PLOTTED: 25-DEC-97
SHEET 1 OF 1



COPYRIGHT 1993 FENDER M.I.

FILM/DWG: SERVICE DIAGRAM
 DATABASE: Z263P.DBF DATE: 16-JUN-94
 LAYERS PLOTTED: 1 2 3 4 10 18

REVISIONS

ZONE	REV.	DESCRIPTION	DATE	APPROVED
	B	EC 1119	16-FEB-94	PW
	C	ECO LO 2891	25-APR-94	PW

PROPRIETARY THIS DRAWING DOCUMENT CONTAINS INFORMATION WHICH IS PROPRIETARY TO AND IS THE PROPERTY OF THE FENDER MUSICAL INSTRUMENTS CO. AND MAY NOT BE USED, REPRODUCED OR DISCLOSED IN ANY MANNER WITHOUT THE EXPRESSED WRITTEN CONSENT FROM: FENDER MUSICAL INSTRUMENTS CO. 1130 COLUMBIA ST. BREA, CALIFORNIA 92621 ROCK ON.	TITLE: SERVICE DIAGRAM '63 FENDER REVERB	
	SIZE: B DRAWN: P. WIERS ENGR: P. WIERS	DRAWING NUMBER: 047594 REV.: C
DATABASE FILE: Z263P.DBF CHECKED BY: P. Wiers DATE: 6/22/94 APPROVED: P. Wiers DATE: 6/23/94 TOLERANCES: UNLESS OTHERWISE NOTED X.X ±0.050" X.XX ±0.010" X.XXX ±0.005" ANGLES ±0.500°	NEXT HIGHER ASSEMBLY: FINAL ASSEMBLY '63 TUBE REVERB	SCALE: CREATED: 20-DEC-93 PLOTTED: 16-JUN-94 SHEET 1 OF 1