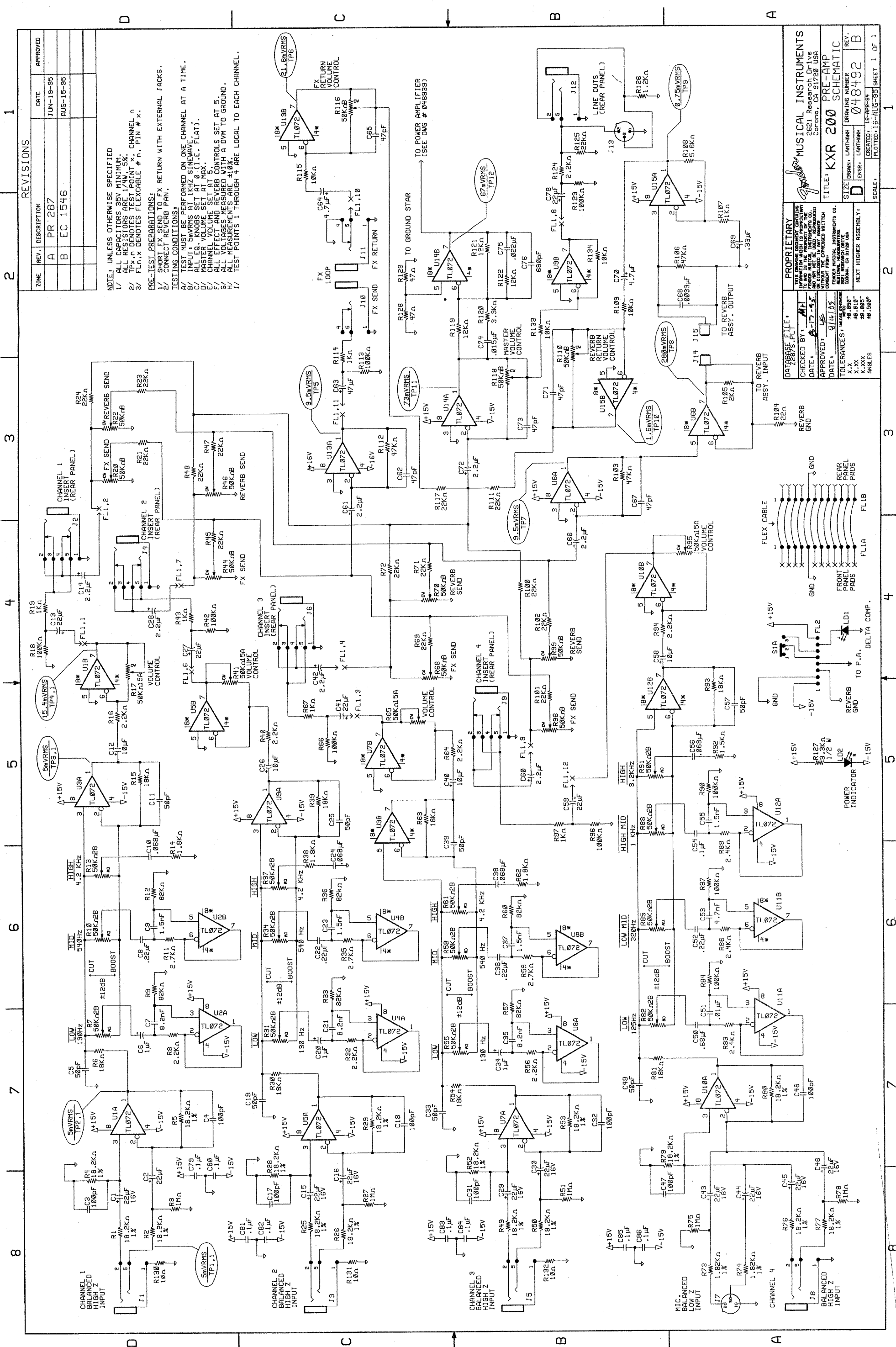


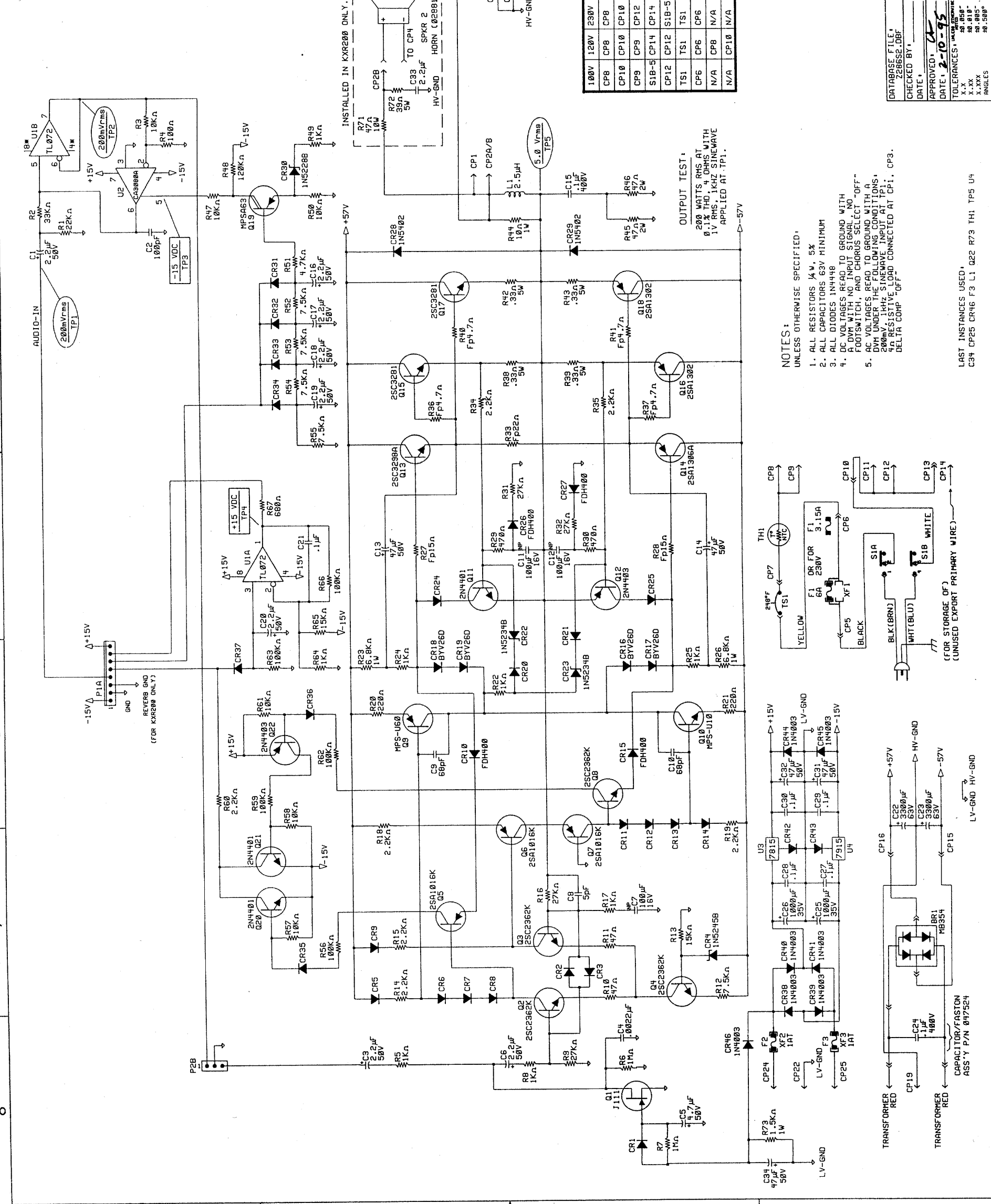
REVISIONS			
ZONE	DESCRIPTION	DATE	APPROVED
A	PR 287	JUN-19-95	
B	EC 1546	AUG-15-95	

NOTE: UNLESS OTHERWISE SPECIFIED
 1/ ALL CAPACITORS 35V MINIMUM.
 2/ ALL RESISTORS ARE 1% UNLESS OTHERWISE SPECIFIED.
 3/ FLX.XX DENOTES FLEXIBLE # n, PIN # x.
 PRE-TEST PREPARATIONS:
 1/ SHORT FX SEND TO FX RETURN WITH EXTERNAL JACKS.
 2/ CONNECT REVERB PAN.
 TESTING CONDITIONS:
 1/ TEST SIGNALS PERFORMED ON ONE CHANNEL AT A TIME.
 2/ INPUT SIGNALS SET AT 0.1V RMS.
 3/ ALL EQ KNOBS SET AT 0 (U.E. FLAT).
 4/ MASTER VOLUME SET AT MAX.
 5/ CHANNEL VOLUME SET AT 5.
 6/ ALL EFFECTS AND REVERB CONTROLS SET AT 5.
 7/ ALL VOLTAGES MEASURED WITH A DVM TO GROUND.
 8/ ALL MEASUREMENTS ARE ±10%.
 9/ TEST POINTS 1 THROUGH 4 ARE LOCAL TO EACH CHANNEL.

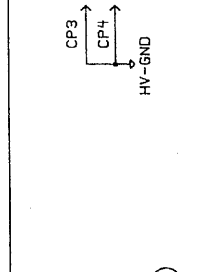
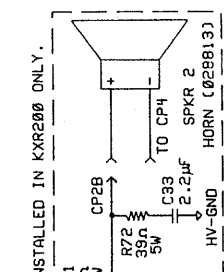
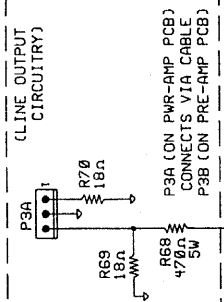
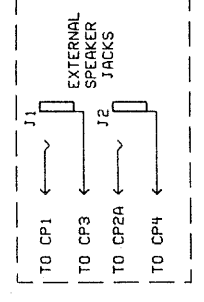
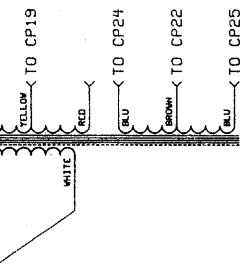


PROPRIETARY	
CHECKED BY: <i>[Signature]</i> DATE: 8-17-95 APPROVED: <i>[Signature]</i> DATE: 8/16/95 TOLERANCES: UNLESS OTHERWISE SPECIFIED X.XX ±0.05" X.XXX ±0.005" ANGLES ±0.500°	MUSICAL INSTRUMENTS 2621 Research Drive Corona, CA 91720 USA TITLE: KXR 200 PRE-AMP SIZE: DRAWN: LANTHANH DRAWING NUMBER: 048492 ENGR: LANTHANH SCALE: CREATED: 16-AUG-95 SHEET 1 OF 1 PLOTTED: 16-AUG-95

REVISIONS		DATE	APPROVED
ZONE	REV. DESCRIPTION	10-FEB-95	
	A RELEASED PR286		



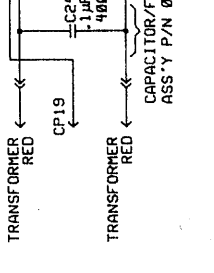
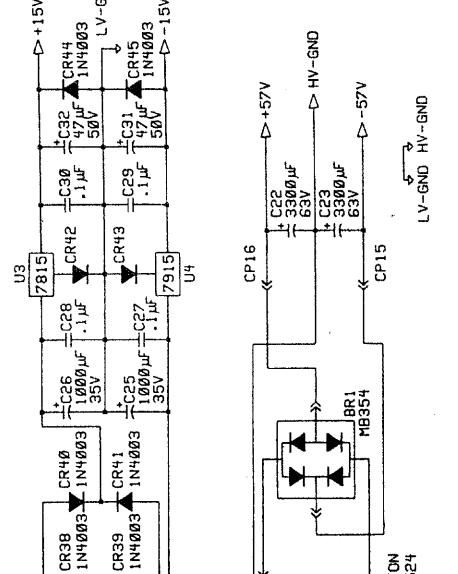
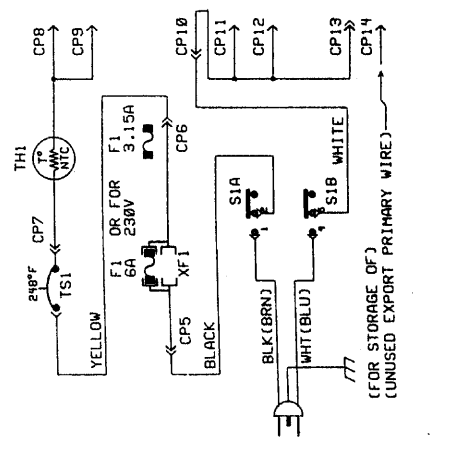
100V	120V	230V										
CP8	CP8	CP8	CP8	CP8	CP8	CP8	CP8	CP8	CP8	CP8	CP8	CP8
CP10	CP10	CP10	CP10	CP10	CP10	CP10	CP10	CP10	CP10	CP10	CP10	CP10
CP9	CP9	CP9	CP9	CP9	CP9	CP9	CP9	CP9	CP9	CP9	CP9	CP9
S1B-5	CP14	CP14	CP14	CP14	CP14	CP14	CP14	CP14	CP14	CP14	CP14	CP14
CP12	CP12	S1B-5	CP12	CP12	CP12	CP12	CP12	CP12	CP12	CP12	CP12	CP12
TS1	TS1	TS1	TS1	TS1	TS1	TS1	TS1	TS1	TS1	TS1	TS1	TS1
CP6	CP6	CP6	CP6	CP6	CP6	CP6	CP6	CP6	CP6	CP6	CP6	CP6
N/A	CP8	N/A	CP8	N/A	CP8	N/A	CP8	N/A	CP8	N/A	CP8	N/A
N/A	CP10	N/A	CP10	N/A	CP10	N/A	CP10	N/A	CP10	N/A	CP10	N/A



- NOTES:
1. ALL RESISTORS 1/4 W, 5% UNLESS OTHERWISE SPECIFIED;
 2. ALL CAPACITORS 63V MINIMUM
 3. ALL DIODES 1N4448
 4. DC VOLTS READ TO GROUND WITH FOOTSWITCH AND CHORUS SELECT "OFF"
 5. AC VOLTS READ TO GROUND WITH A 200V RMS 1KHz SIN WAVE 4P RESISTIVE LOAD CONNECTED AT CP1, CP3.

OUTPUT TEST:
200 WATTS RMS AT
8 V_{THD} 4 OHMS WITH
1 V RMS 1KHz SIN WAVE
APPLIED AT TP1.

- LAST INSTANCES USED,
C34 CP25 CR46 F3 L1 Q22 R73 TH1 TP5 U4



DATABASE FILE:
Z28652.DBF

CHECKED BY:

DATE: 2-10-95

TOLERANCES: UNLESS OTHERWISE SPECIFIED:

APPROVED: C.S.

DATE: 2-10-95

SCALE: NONE

CREATED: 25-JUL-94

PLOTTED: 10-FEB-95

SHEET 1 OF 1

PROPRIETARY
THIS DRAWING IS THE PROPERTY OF
MUSICAL INSTRUMENTS
AND MAY NOT BE USED, REPRODUCED
OR TRANSMITTED IN ANY FORM OR BY
ANY MEANS, ELECTRONIC OR MECHANICAL,
INCLUDING PHOTOCOPYING, RECORDING,
OR BY ANY INFORMATION STORAGE AND
RETRIEVAL SYSTEM, WITHOUT THE EXPRESS
WRITTEN PERMISSION OF MUSICAL
INSTRUMENTS CO., CAROLINA, NORTH CAROLINA
DRAWN BY: C.S. SHAH
ENGINEER: C.S. SHAH
DRAWING NUMBER: 048839
REV. A

MUSICAL INSTRUMENTS
2621 Research Drive
Corona, CA 91720 USA
TITLE: SCHEMATIC DIAGRAM,
200 WATT POWER AMPLIFIER

1 2 3 4 5 6 7 8

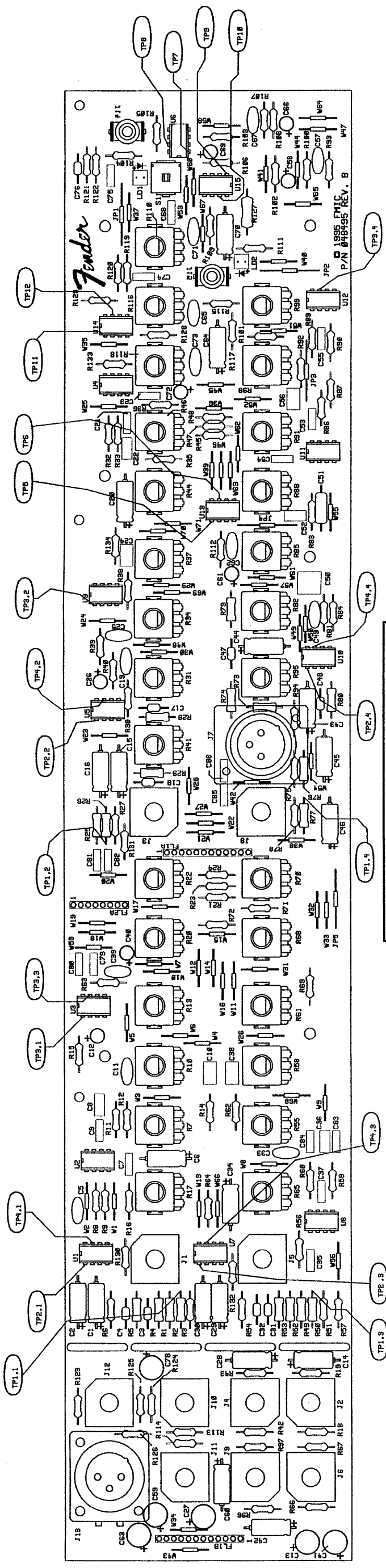
1 2 3 4 5 6 7 8

D C B A

1 2 3 4 5 6 7 8

REVISIONS

ZONE	REV.	DESCRIPTION	DATE	APPROVED
	A	PR 287	MAR-16-95	
	B	EC1546	AUG-15-95	



FILM/DWG : SERVICE DIAGRAM
 DATABASE : DATE: 18-JUN-99
 LAYERS PLOTTED: 1 2 3 4 10
 18

PROPRIETARY
 THIS DRAWING DOCUMENT CONTAINS
 TRADE SECRETS AND PROPRIETARY
 INFORMATION OF FENDER MUSICAL
 INSTRUMENTS CO. IT IS TO BE KEPT
 CONFIDENTIAL AND NOT REPRODUCED
 OR TRANSMITTED IN ANY MANNER
 WITHOUT THE EXPRESS WRITTEN
 CONSENT FROM FENDER MUSICAL
 INSTRUMENTS CO.
 FENDER MUSICAL INSTRUMENTS CO.
 2621 Research Drive
 Corona, CA 92726 USA

SCALE: N/A
 CREATED: 06-MAY-94
 PLOTTED: 18-JUN-99 SHEET 1 OF 1

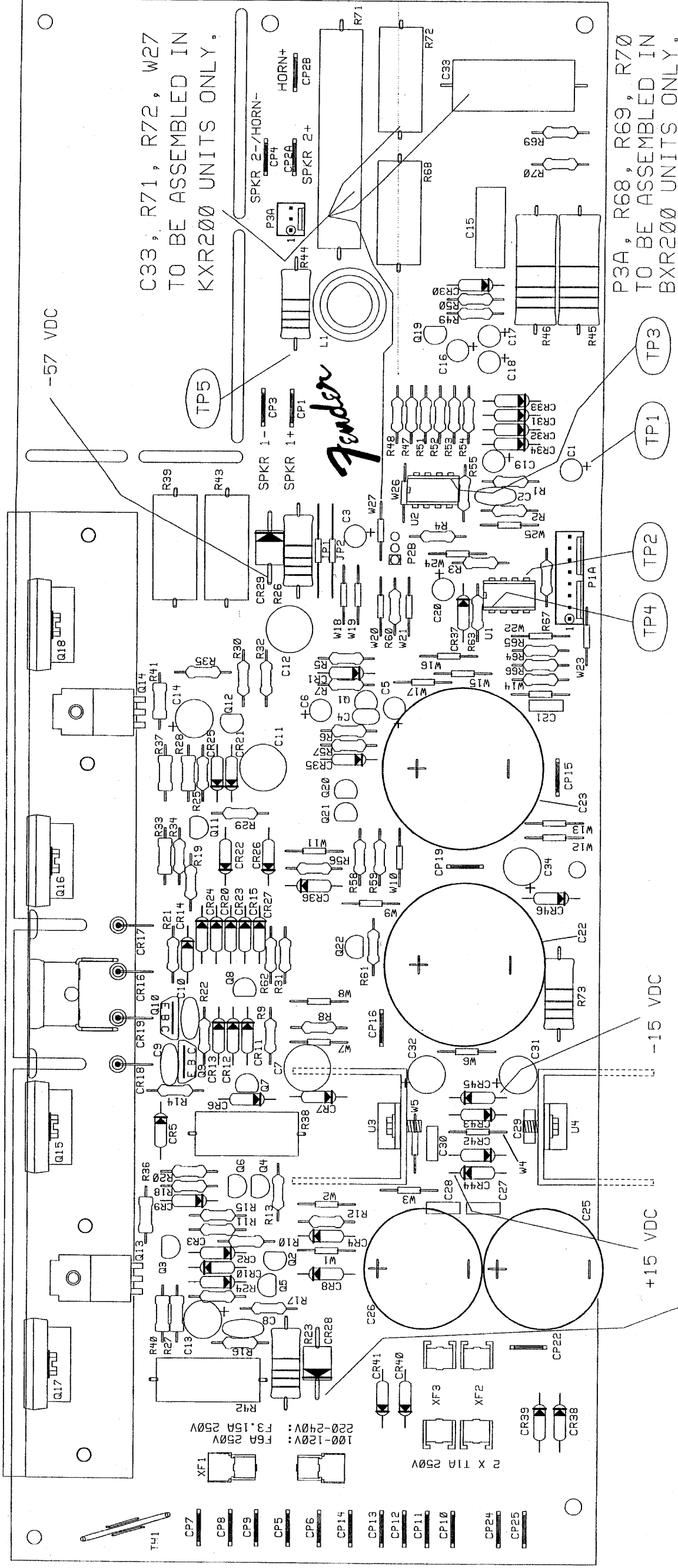
DATABASE FILE:
 Z8877.DBF
CHECKED BY: KEVLOT
DATE: 6/19/99
APPROVED: M. J. [Signature]
DATE: 6/18/99
TOLERANCES: UNLESS OTHERWISE
 SPECIFIED:
 X.X .50 .010"
 X.XX .50 .010"
 X.XXX .50 .005"
 ANGLES .50 .005"

MUSICAL INSTRUMENTS
 2621 Research Drive
 Corona, CA 92726 USA

TITLE: KXR200 PRE-AMP SERVICE DIAGRAM
REV.: B
SIZE: DRAWING NUMBER 048494
ENGR.: LAMTHANH

REVISIONS

ZONE	REV.	DESCRIPTION	DATE	APPROVED
	A	RELEASED PR286	10-FEB-95	S. SHAH
	B	ECCR#31	20-SEP-96	FM



PROPRIETARY

THIS DRAWING DOCUMENT CONTAINS INFORMATION WHICH IS PROPRIETARY TO AND IS THE PROPERTY OF THE FENDER MUSICAL INSTRUMENTS CO. AND MAY NOT BE USED, REPRODUCED OR DISCLOSED IN ANY MANNER WITHOUT THE EXPRESSED WRITTEN CONSENT FROM:
 FENDER MUSICAL INSTRUMENTS CO.
 REGIONAL HEADQUARTERS
 2621 RESEARCH DRIVE
 CORONA, CA 91720 USA

DATABASE FILE: Z286P2.DBF
 CHECKED BY: *ML*
 DATE: *10-1-96*
 APPROVED: *FM*
 DATE: *9-14-96*
 TOLERANCES: UNLESS OTHERWISE NOTED
 X.X ±0.050"
 X.XX ±0.010"
 X.XXX ±0.005"
 ANGLES ±0.500°

FILM/DWG: SERVICE DIAGRAM
 DATABASE: Z286P2.DBF DATE: 24-SEP-96
 LAYERS PLOTTED: 1 2 3 4
 18

Fender MUSICAL INSTRUMENTS
 2621 Research Drive
 Corona, CA 91720 USA

TITLE: SERVICE DIAGRAM
 POWER AMPLIFIER 200 WATTS

SIZE: **B**
 DRAWN: C. SHAH
 ENGR: C. SHAH
 DRAWING NUMBER: 048841
 REV.: B

SCALE: NONE
 CREATED: 25-AUG-94
 PLOTTED: 24-SEP-96
 SHEET 1 OF 1