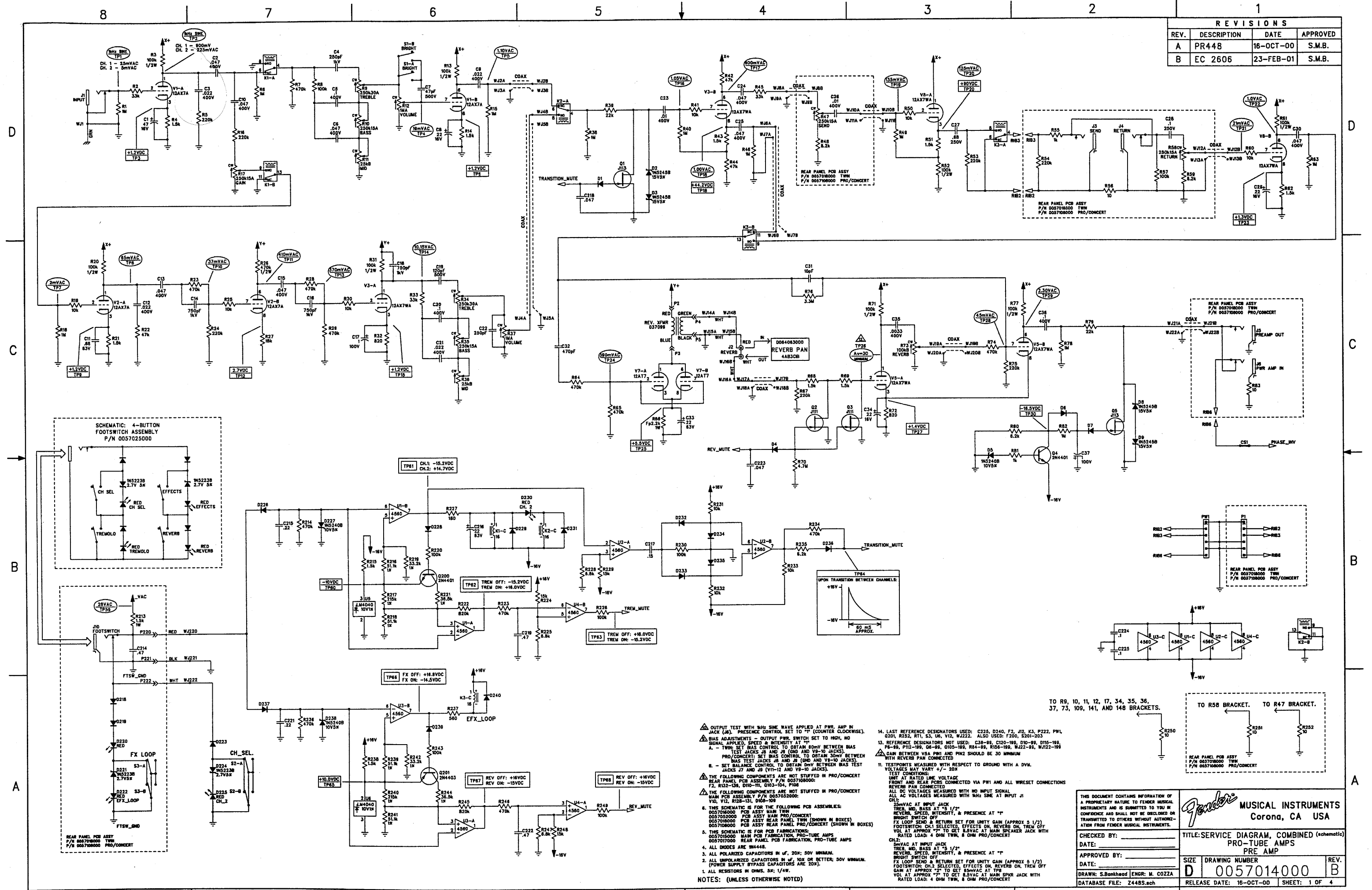


REVISIONS			
REV.	DESCRIPTION	DATE	APPROVED
A	PR448	16-OCT-00	S.M.B.
B	EC 2606	23-FEB-01	S.M.B.



- OUTPUT TEST WITH MHz SINE WAVE APPLIED AT PWR. AMP IN JACK (J6). PRESENCE CONTROL SET TO "T" (COUNTER CLOCKWISE). SIGNAL APPLIED: SPEED & INTENSITY AT "H".
- BIAS ADJUSTMENTS - OUTPUT PWR. SWITCH SET TO HIGH, NO SIGNAL APPLIED: SPEED & INTENSITY AT "H".
- A. - TUNE SET BIAS CONTROL TO OBTAIN 80mV BETWEEN BIAS TEST JACKS J8 AND J9 (GND AND V8-10 JACKS). PRO/CONCERT: SET BIAS CONTROL TO OBTAIN 30mV BETWEEN BIAS TEST JACKS J8 AND J9 (GND AND V8-10 JACKS).
- B. - SET BALANCE CONTROL TO OBTAIN 0mV BETWEEN BIAS TEST JACKS J7 AND J8 (V11-12 AND V8-10 JACKS).
- THE FOLLOWING COMPONENTS ARE NOT STUFFED IN PRO/CONCERT REAR PANEL PCB ASSEMBLY P/N 005708000:  
F2, R133-134, D10-10L, G103-104, P108
- THE FOLLOWING COMPONENTS ARE NOT STUFFED IN PRO/CONCERT MAIN PCB ASSEMBLY P/N 0057052000:  
V12, V12, R128-131, D108-109
6. THIS SCHEMATIC IS FOR THE FOLLOWING PCB ASSEMBLIES:  
005708000 PCB ASSY MAIN TWIN  
0057052000 PCB ASSY MAIN PRO/CONCERT  
005708000 PCB ASSY REAR PANEL TWIN (SHOWN IN BOXES)  
005708000 PCB ASSY REAR PANEL PRO/CONCERT (SHOWN IN BOXES)
5. THIS SCHEMATIC IS FOR PCB FABRICATIONS:  
005705000 MAIN PCB FABRICATION, PRO-TUBE AMPS  
0057017000 REAR PANEL PCB FABRICATION, PRO-TUBE AMPS
4. ALL DIODES ARE 1N4448.
3. ALL POLARIZED CAPACITORS IN U<sub>1</sub>, 20X; 50V MINIMUM.
2. ALL UNPOLARIZED CAPACITORS IN U<sub>1</sub>, 10K OR BETTER; 50V MINIMUM. (POWER SUPPLY BYPASS CAPACITORS ARE 20X).
1. ALL RESISTORS IN OHMS, S<sub>X</sub>; 1/4W.
- NOTES: (UNLESS OTHERWISE NOTED)
14. LAST REFERENCE DESIGNATORS USED: C225, D240, F2, J12, K3, P222, PW1, Q201, R152, R11, S3, U6, V12, R222. ALSO USED: Z20, S201-203
13. REFERENCE DESIGNATORS NOT USED: C38-89, C120-129, D10-10L, D15-19S, P8-9S, P112-119, D8-9S, O105-109, R84-89, R150-199, WJ22-89, WJ22-199
12. GAIN BETWEEN V5A PWR IN AND PH2 SHOULD BE 30 MINIMUM WITH REVERB PAN CONNECTED.
11. TESTPOINTS MEASURED WITH RESPECT TO GROUND WITH A DVM. VOLTAGES MAY VARY +/- 20X
- TEST CONDITIONS:  
UMT AT RATED LINE VOLTAGE  
FRONT AND REAR PCB'S CONNECTED VIA PW1 AND ALL WRESET CONNECTIONS  
REVERB PAN CONNECTED  
ALL DC VOLTAGES MEASURED WITH NO INPUT SIGNAL  
ALL AC VOLTAGES MEASURED WITH MHz SINE AT INPUT J1  
CH1: 25mVAC AT INPUT JACK  
TREB. MD. BASS AT "S 1/2"  
REVERB, SPEED, INTENSITY, & PRESENCE AT "T"  
BRIGHT SWITCH OFF  
FX LOOP SEND & RETURN SET FOR UNITY GAIN (APPROX 5 1/2)  
FOOTSWITCH: CH1 SELECTED, EFFECTS ON, REVERB ON, TREM OFF  
VOL AT APPROX "7" TO GET 8.0VAC AT MAIN SPEAKER JACK WITH RATED LOAD: 4 OHM TWIN, 8 OHM PRO/CONCERT
- CH2: 8mVAC AT INPUT JACK  
TREB. MD. BASS AT "S 1/2"  
REVERB, SPEED, INTENSITY, & PRESENCE AT "T"  
BRIGHT SWITCH OFF  
FX LOOP SEND & RETURN SET FOR UNITY GAIN (APPROX 5 1/2)  
FOOTSWITCH: CH2 SELECTED, EFFECTS ON, REVERB ON, TREM OFF  
VOL AT APPROX "2" TO GET 85mVAC AT PWR. AMP IN JACK WITH RATED LOAD: 4 OHM TWIN, 8 OHM PRO/CONCERT

THIS DOCUMENT CONTAINS INFORMATION OF A PROPRIETARY NATURE TO FENDER MUSICAL INSTRUMENTS AND IS loaned TO YOU IN CONFIDENCE AND SHALL NOT BE DECLASSIFIED OR TRANSMITTED TO OTHERS WITHOUT AUTHORIZATION FROM FENDER MUSICAL INSTRUMENTS.

CHECKED BY: \_\_\_\_\_

DATE: \_\_\_\_\_

APPROVED BY: \_\_\_\_\_

DATE: \_\_\_\_\_

DRAWN: S.Banhead ENGR: M. COZZA

DATABASE FILE: Z4485.sch

**Fender** MUSICAL INSTRUMENTS  
Corona, CA USA

TITLE: SERVICE DIAGRAM, COMBINED (schematic)  
PRO-TUBE AMPS  
REAR AMP

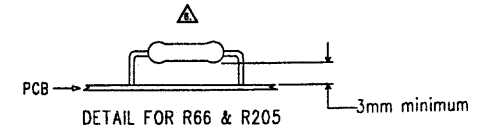
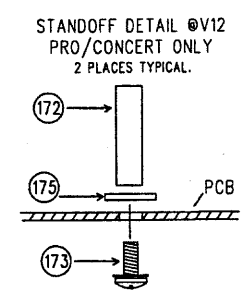
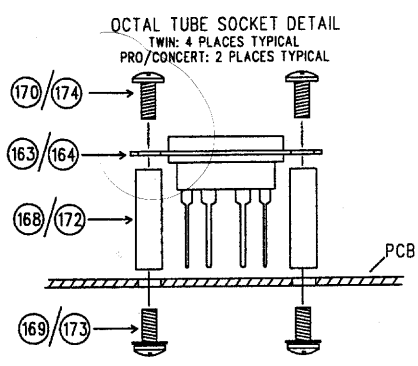
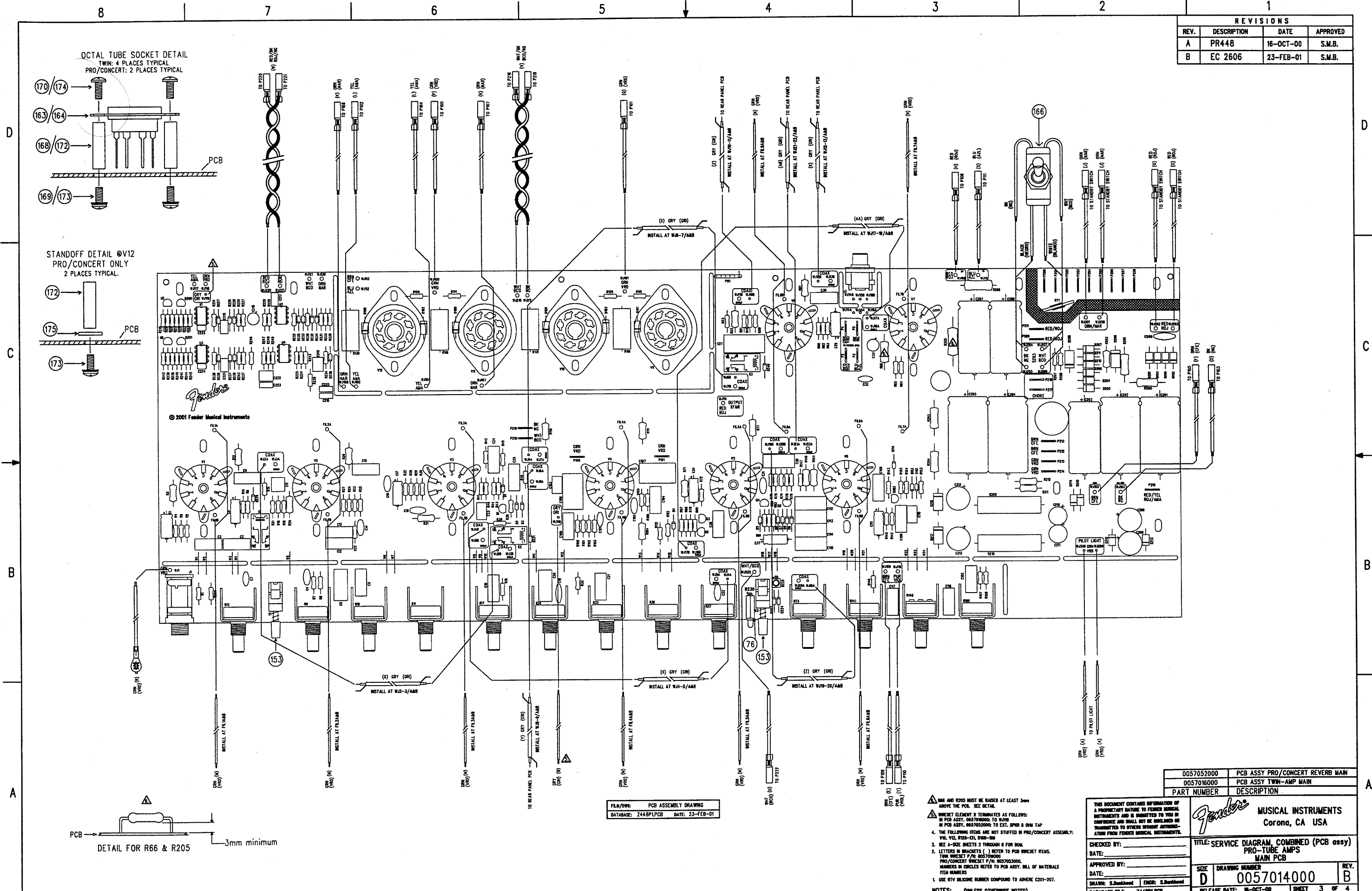
SIZE: DRAWING NUMBER  
**D** 0057014000

REV. **B**

RELEASE DATE: 16-OCT-00 SHEET: 1 OF 4



REVISIONS			
REV.	DESCRIPTION	DATE	APPROVED
A	PR448	16-OCT-00	S.M.B.
B	EC 2606	23-FEB-01	S.M.B.



FILM/PPR: PCB ASSEMBLY DRAWING  
 DATABASE: 2448PLPCB DATE: 23-FEB-01

- △ R66 AND R205 MUST BE SOLDERED AT LEAST 3mm ABOVE THE PCB. SEE DETAIL.
- △ WIRESET ELEMENT 8 TERMINATES AS FOLLOWS:  
 IN PCB ASSY, 0057016000; TO EXT. SPIN 8 ON TAP IN PCB ASSY, 0057052000; TO EXT. SPIN 8 ON TAP
- THE FOLLOWING ITEMS ARE NOT STUFFED IN PRO/CONCERT ASSEMBLY:  
 VIB. YEL. 100K-100-100
  - SEE A-SIZE SHEETS 2 THROUGH 6 FOR R66.
  - LETTERS IN BRACKETS ( ) REFER TO PCB WIRESET ITEMS.  
 TWIN WIRESET P/N: 0057050000  
 PRO/CONCERT WIRESET P/N: 0057053000.  
 NUMBERS IN CIRCLES REFER TO PCB ASSY. BILL OF MATERIALS ITEM NUMBERS
  - USE RTV SILICONE RUBBER COMPOUND TO ADHERE C201-207.
- NOTES: (UNLESS OTHERWISE NOTED)

0057052000	PCB ASSY PRO/CONCERT REVERB MAIN
0057016000	PCB ASSY TWIN-AMP MAIN
PART NUMBER	DESCRIPTION

**Fender** MUSICAL INSTRUMENTS  
 Corona, CA USA

THIS DOCUMENT CONTAINS INFORMATION OF A PROPRIETARY NATURE TO FENDER MUSICAL INSTRUMENTS AND IS INTENDED TO BE USED IN CONFERENCE AND SHALL NOT BE REPRODUCED OR TRANSMITTED TO OTHERS WITHOUT AUTHORIZATION FROM FENDER MUSICAL INSTRUMENTS.

CHECKED BY: \_\_\_\_\_  
 DATE: \_\_\_\_\_

APPROVED BY: \_\_\_\_\_  
 DATE: \_\_\_\_\_

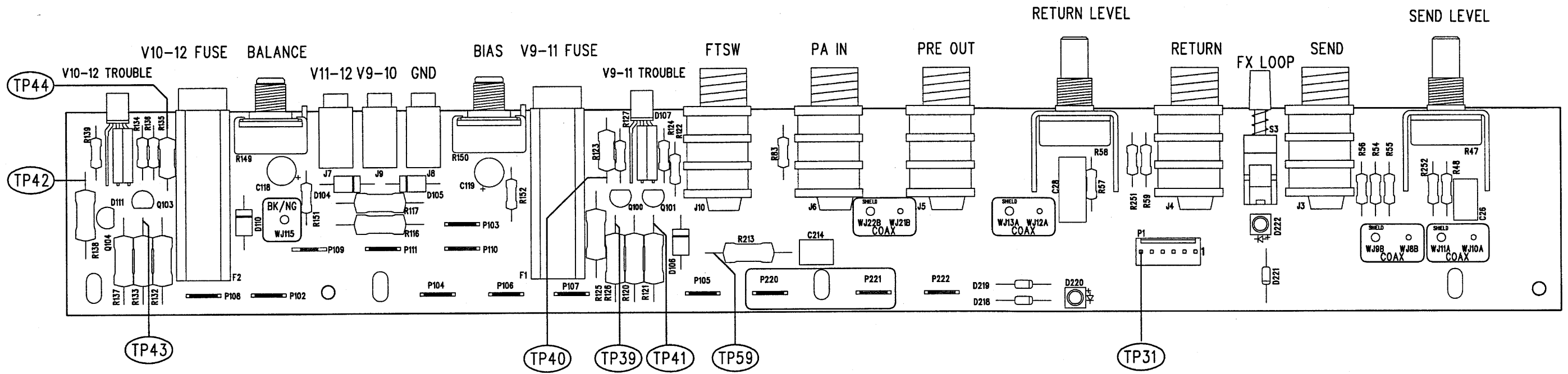
DRAWN: S.Barthelme ENGR: S.Barthelme  
 DATABASE FILE: 2448PLPCB

TITLE: SERVICE DIAGRAM, COMBINED (PCB assy) PRO-TUBE AMPS MAIN PCB

SIZE	DRAWING NUMBER	REV.
D	0057014000	B


RELEASE DATE: 16-OCT-00 SHEET 3 OF 4

REVISIONS			
REV.	DESCRIPTION	DATE	APPROVED
A	PR 448	16-OCT-00	S.M.B.
B	EC 2606	23-FEB-01	S.M.B.



FILM/DWG: SERVICE DIAGRAM  
 DATABASE: Z448P2.PCB DATE: 16-OCT-00

2. SEE PAGE 1 FOR NOTES AND TEST CONDITIONS  
 1. WIRES NOT SHOWN FOR CLARITY  
 NOTES: (UNLESS OTHERWISE NOTED)

THIS DOCUMENT CONTAINS INFORMATION OF A PROPRIETARY NATURE TO FENDER MUSICAL INSTRUMENTS AND IS SUBMITTED TO YOU IN CONFIDENCE AND SHALL NOT BE DISCLOSED OR TRANSMITTED TO OTHERS WITHOUT AUTHORIZATION FROM FENDER MUSICAL INSTRUMENTS.		 MUSICAL INSTRUMENTS Corona, CA U.S.A.	
CHECKED BY: _____ DATE: _____		TITLE: SERVICE DIAGRAM, COMBINED (PCB assy) PRO-TUBE AMPS REAR PANEL PCB	
APPROVED BY: _____ DATE: _____		SIZE <b>B</b>	DRAWING NUMBER 0057014000
DRAWN: S.Bankhead ENGR: S.Bankhead	DATABASE FILE: Z448P2.PCB	RELEASE DATE: 16-OCT-00	REV. <b>B</b> SHEET 4 OF 4