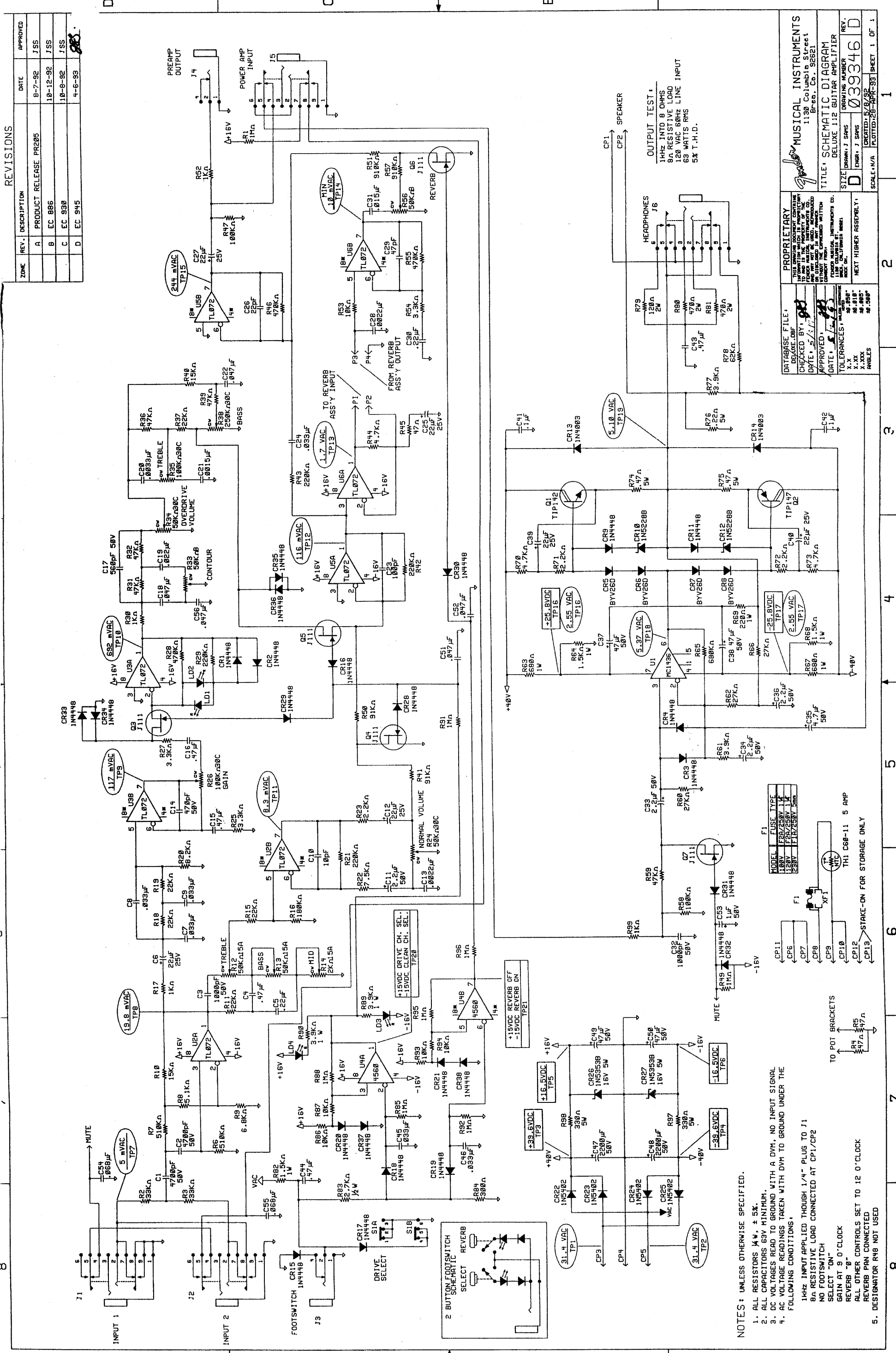


REVISIONS

ZONE	REV.	DESCRIPTION	DATE	APPROVED
	A	PRODUCT RELEASE PR205	8-7-92	JSS
	B	EC 886	10-12-92	JSS
	C	EC 930	10-8-92	JSS
	D	EC 945	4-6-93	JSS

0039347000



- NOTES: UNLESS OTHERWISE SPECIFIED.
1. ALL RESISTORS 1/4 W, ± 5%.
 2. ALL CAPACITORS 63V MINIMUM.
 3. DC VOLTAGES READ TO GROUND WITH A DVM, NO INPUT SIGNAL.
 4. AC VOLTAGE READINGS TAKEN WITH DVM TO GROUND UNDER THE FOLLOWING CONDITIONS:
 1KHZ INPUT APPLIED THROUGH 1/4" PLUG TO J1
 NO RESISTIVE LOAD CONNECTED AT CP1/CP2
 NO FOOTSWITCH
 SELECT "ON"
 REVERB "0"
 ALL OTHER CONTROLS SET TO 12 O'CLOCK
 REVERB PAN CONNECTED
 5. DESIGNATOR R48 NOT USED

FUSE TYPE

MODEL	FUSE TYPE
110V	F2A/250V 1A
120V	F2A/250V 1A
230V	F1A/250V 5mm

PROPRIETARY
 THIS DRAWING DOCUMENT CONTAINS
 TRADE SECRETS AND IS THE PROPERTY OF
 FENDER MUSICAL INSTRUMENTS CO.
 NO OTHER REPRODUCTION OR
 DISSEMINATION IS PERMITTED
 WITHOUT THE WRITTEN CONSENT OF
 FENDER MUSICAL INSTRUMENTS CO.

DATABASE FILE: DELUXE.DBF
 CHECKED BY: JSS
 DATE: 5/1/93

APPROVED: JSS
 DATE: 5/1/93

TOLERANCES: 1/2% 1% 5% 10%
 X.X
 X.XX
 X.XXX
 ANGLES 30° 45° 60°

MUSICAL INSTRUMENTS
 1130 Columbia Street
 Brea, Ca. 92621

TITLE: SCHEMATIC DIAGRAM
 DELUXE 112 GUITAR AMPLIFIER

SIZE: DRAWING: J SAYS 11.25"
 ENGR: J SAYS 11.25"
 D 039346 D

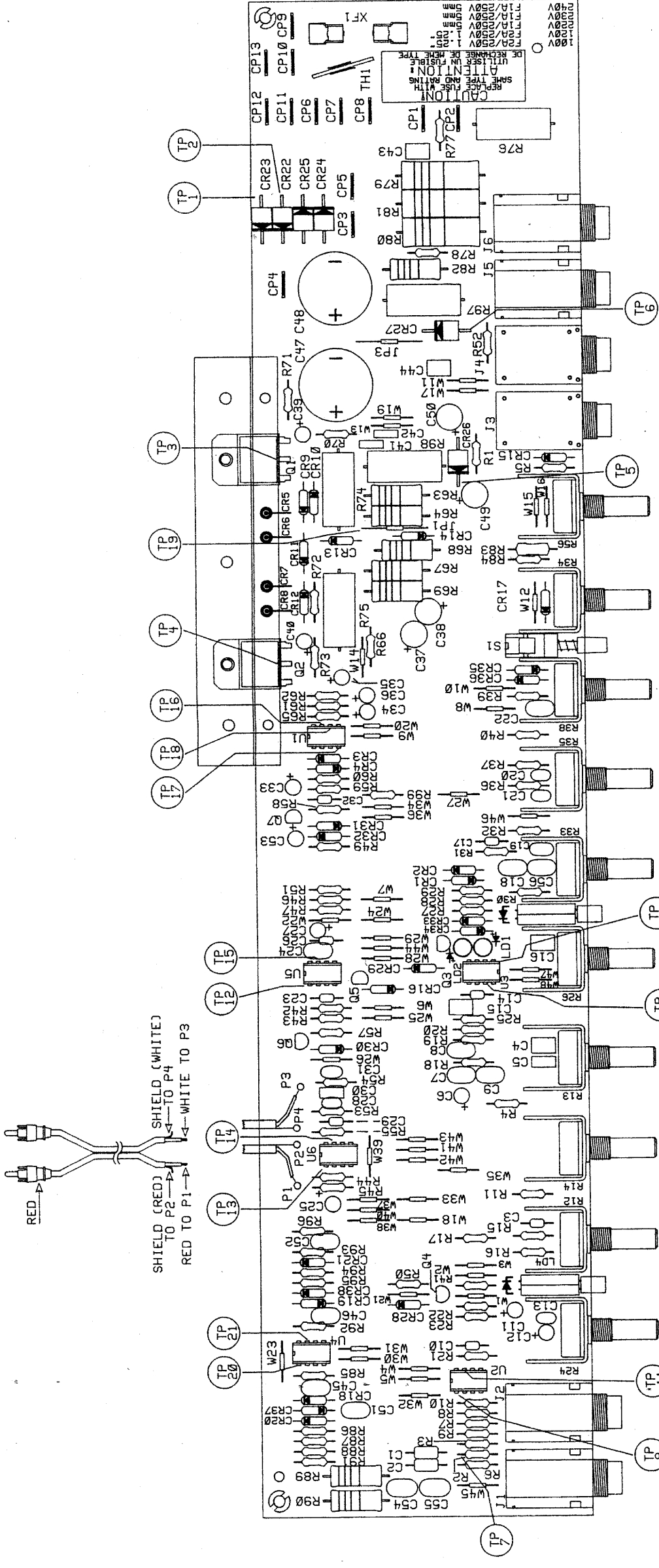
REV. 1
 CREATED: 5/1/93
 PLOTTED: 28-MAR-93 SHEET 1 OF 1

1 2 3 4 5 6 7 8

1 2 3 4 5 6

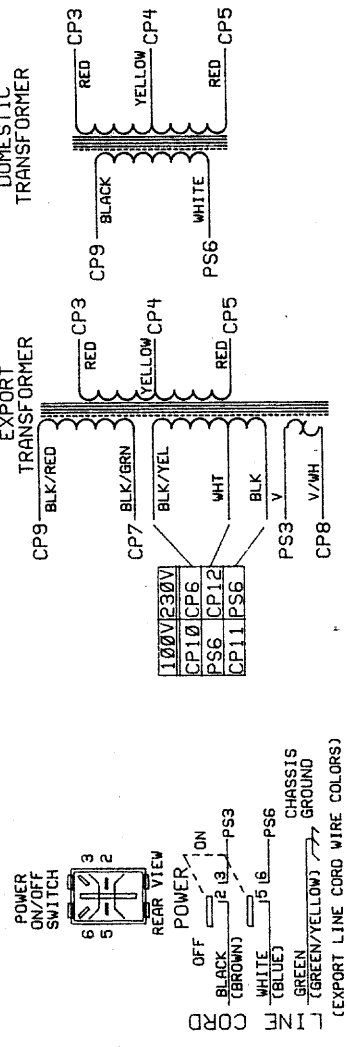
REVISIONS

ZONE	REV. DESCRIPTION	DATE	APPROVED
A	PRODUCT RELEASE PR205	8-7-92	JSS
B	EC 886	10-12-92	



INPUT 1 INPUT 2 VOLUME TREBLE MID BASS GAIN CONTOUR TREBLE BASS SELECT VOLUME REVERB FOOT SWITCH PREAMP POWER IN HEAD PHONE

FILM/DWG: SERVICE DIAGRAM
 DATABASE: DELUXPB.DBF DATE: 13-OCT-92
 LAYERS PLOTTED: 1 2 3 4 10 11 18



POWER ON/OFF SWITCH
 REAR VIEW
 OFF BLACK (BROWN) ON PS3
 WHITE (BLUE) PS6
 GREEN (GREEN/YELLOW) GROUND
 CHASSIS GROUND
 LINE CORD (EXPORT LINE CORD WIRE COLORS)

DOMESTIC UNITS:
 A WHITE WIRE CONNECTS PS3 TO CP8
 EXPORT UNITS:
 THE TRANSFORMER VIOLET WIRE CONNECTS TO PS3
 THE TRANSFORMER VIOLET/WHITE WIRE CONNECTS TO CP8

FENDER MUSICAL INSTRUMENTS
 1130 Columbia Street
 Brea, Ca. 92621

PROPRIETARY
 THIS DRAWING DOCUMENT CONTAINS INFORMATION WHICH IS PROPRIETARY TO FENDER MUSICAL INSTRUMENTS CO. AND MAY NOT BE USED, REPRODUCED OR DISCLOSED IN ANY MANNER WITHOUT THE EXPRESSED WRITTEN CONSENT FROM FENDER MUSICAL INSTRUMENTS CO.
 1130 COLUMBIA ST
 BREA, CALIFORNIA 92621
 NEXT HIGHER ASSEMBLY:

TOLERANCES UNLESS OTHERWISE SPECIFIED:
 X.X ±0.050"
 X.XX ±0.010"
 X.XXX ±0.005"
 ANGLES ±0.500°

DATE: _____
APPROVED: _____
CHECKED BY: _____
DELUXPB.DBF
DATABASE FILE:

TITLE: SERVICE DIAGRAM
DELUXE 112 GUITAR AMPLIFIER

SIZE: B
DRAWN: JS SAMS
ENGR: JS SAMS
DRAWING NUMBER: 039348
REV.: B

SCALE: N/A
CREATED: 17-24-92
PLOTTED: 13-OCT-92
SHEET: 1 OF 1

1 2 3 4 5 6