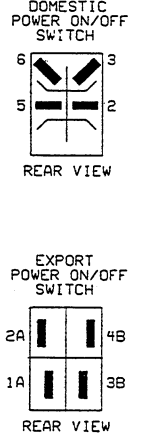
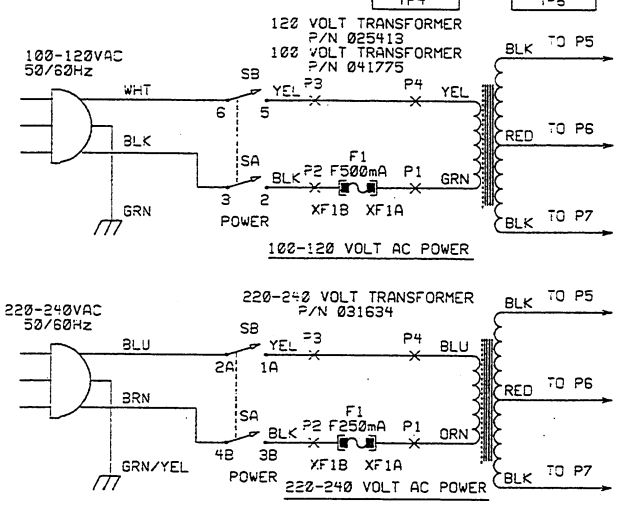
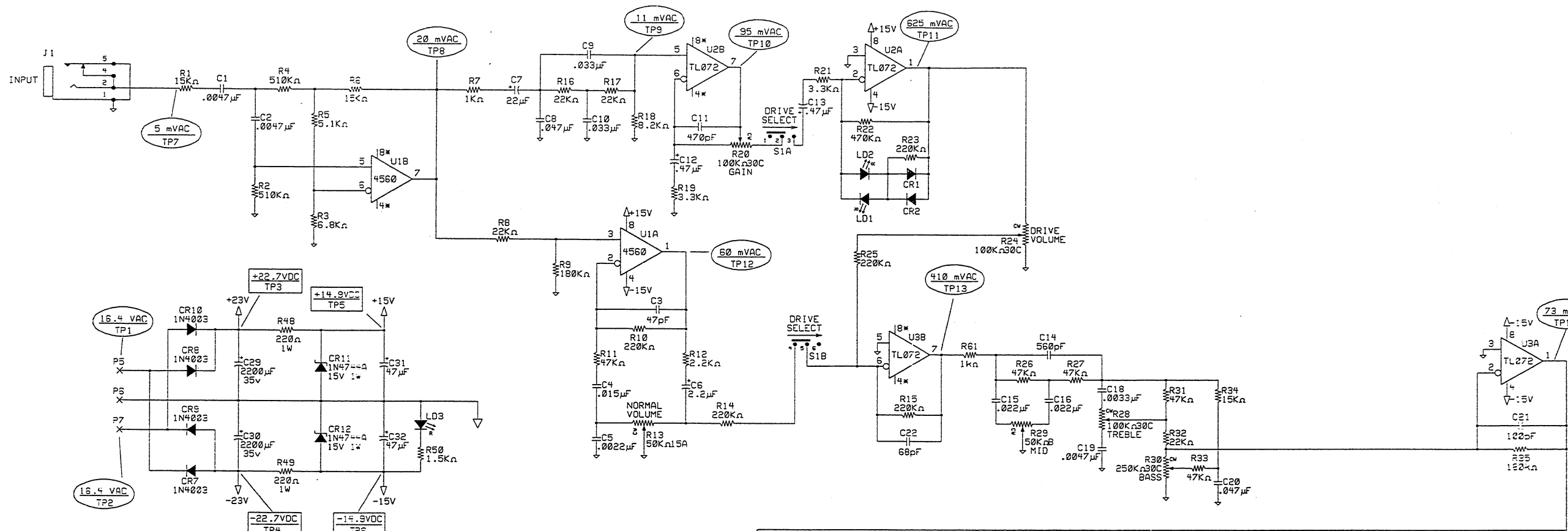
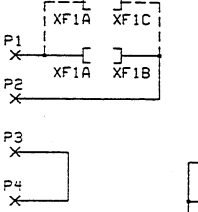


REVISIONS				
ZONE	REV.	DESCRIPTION	DATE	APPROVED
	A	RELEASED EC1914	02-MAY-97	MDW

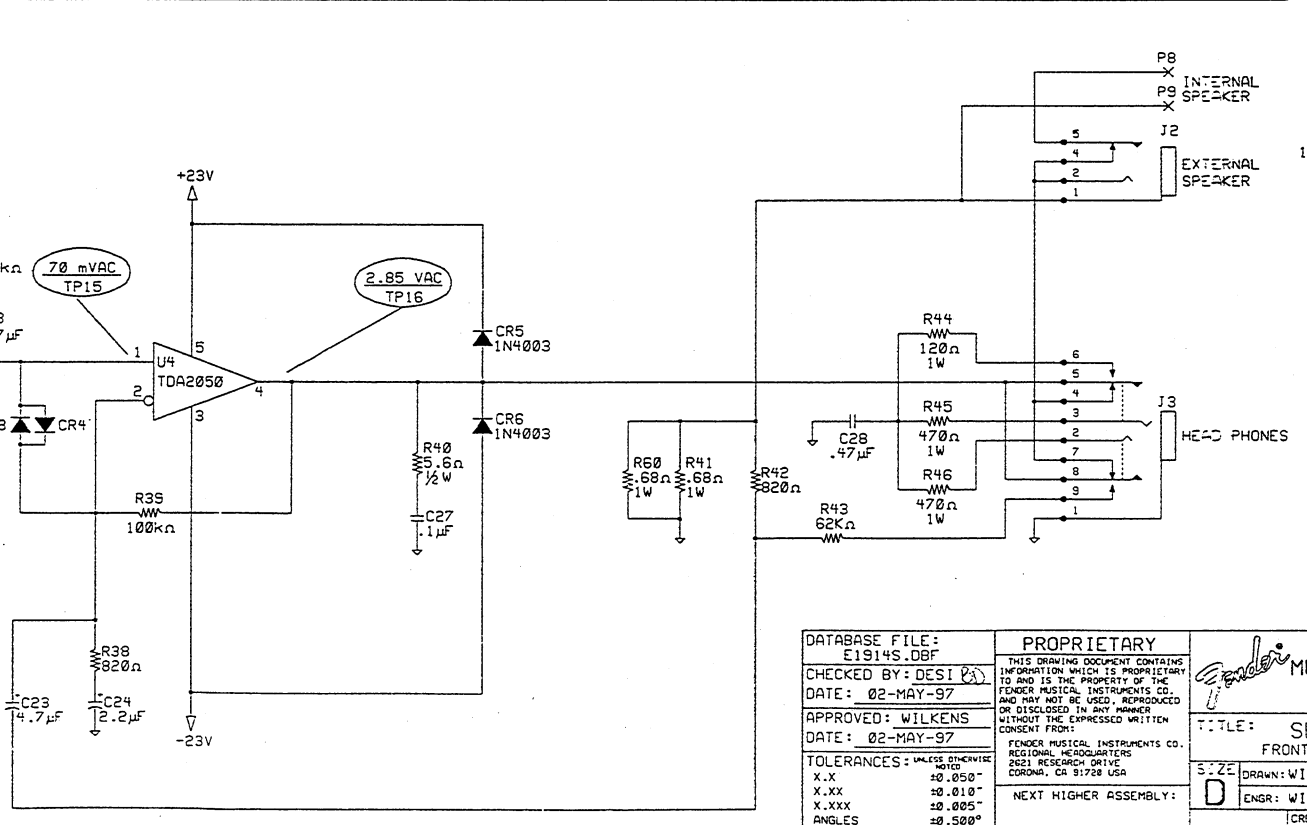


NOTE: XF1C NOT USED.



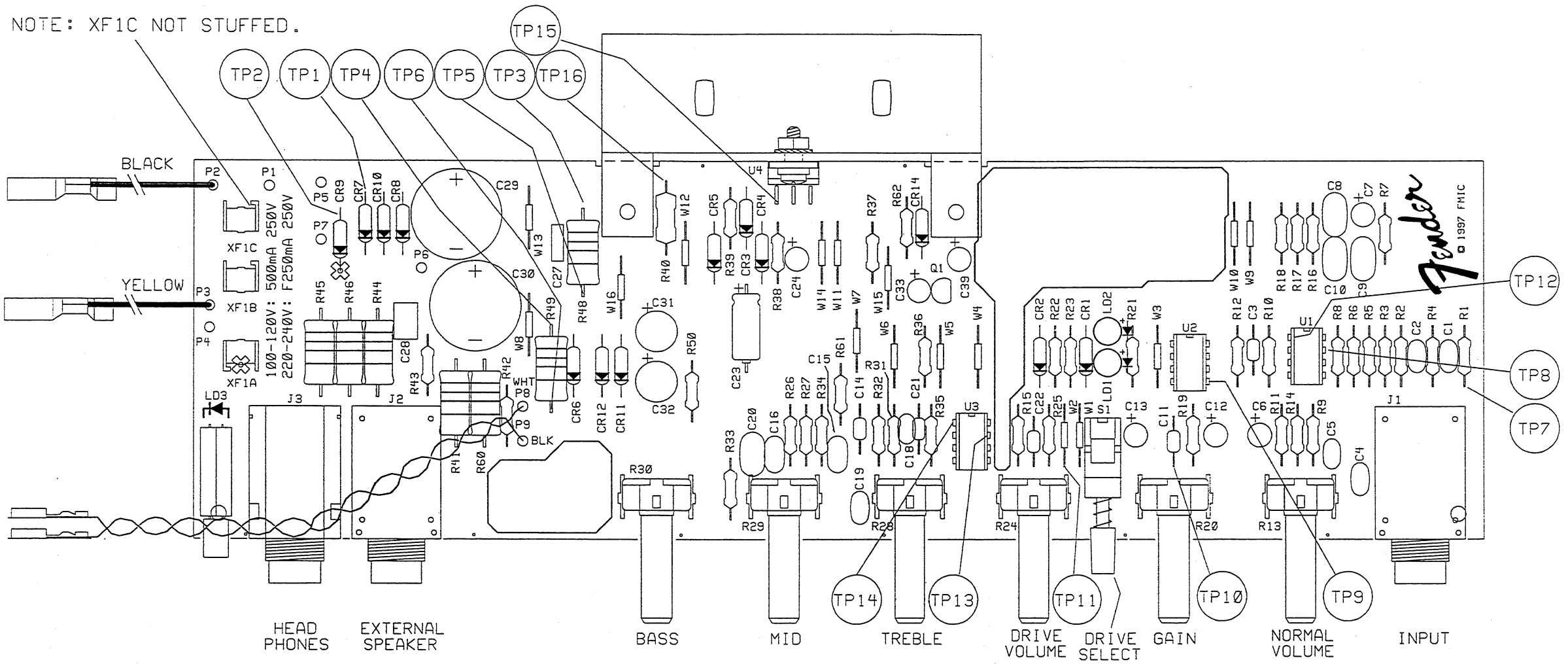
- NOTES: UNLESS OTHERWISE SPECIFIED.
1. ALL RESISTORS 1/4W, ± 5%.
 2. ALL CAPACITORS 50V MINIMUM.
 3. ALL DIODES 1N4448.
 4. DC VOLTAGES READ TO GROUND WITH A DVM. NO INPUT SIGNAL.
 5. AC VOLTAGE READINGS TAKEN WITH DVM TO GROUND UNDER THE FOLLOWING CONDITIONS:
 1kHz INPUT APPLIED THROUGH 1/4" PLUG TO J1
 8Ω RESISTIVE LOAD CONNECTED AT P8, P9
 GAIN AT 9 O'CLOCK
 ALL OTHER CONTROLS SET TO 12 O'CLOCK
 FOR BULLET REVERB ONLY:
 REVERB UNIT CONNECTED
 REVERB AT "0"
 6. INSTANCES NOT USED: C17 C25 C26 C34-C38 CR13 P10 P11
 R47 R51-R59 TP17 TP18 U5

OUTPUT TEST:
 1kHz INTO 8 OHMS
 8Ω RESISTIVE LOAD
 RATED LINE INPUT
 15 WATTS RMS 5% T.H.D.



DATABASE FILE: E1914S.DBF CHECKED BY: DESI DATE: 02-MAY-97 APPROVED: WILKENS DATE: 02-MAY-97 TOLERANCES: UNLESS OTHERWISE SPECIFIED X.XX ±0.050" X.XX ±0.010" X.XXX ±0.005" ANGLES ±0.500°	PROPRIETARY THIS DRAWING DOCUMENT CONTAINS INFORMATION WHICH IS PROPRIETARY TO AND IS THE PROPERTY OF THE FENDER MUSICAL INSTRUMENTS CO. AND MAY NOT BE USED, REPRODUCED OR DISCLOSED IN ANY MANNER WITHOUT THE EXPRESSED WRITTEN CONSENT FROM: FENDER MUSICAL INSTRUMENTS CO. REGIONAL HEADQUARTERS 2621 RESEARCH DRIVE CORONA, CA 91720 USA NEXT HIGHER ASSEMBLY:	FENDER MUSICAL INSTRUMENTS 2621 Research Drive Corona, CA 91720 USA TITLE: SERVICE DIAGRAM FRONTMAN 15G GUITAR AMPLIFIER DRAWN: WILKENS ENGR: WILKENS DRAWING NUMBER: 0051920000 REV: A CREATED: 25-APR-97 PLOTTED: 16-JUN-97 SCALE: N/A SHEET 1 OF 2
--	--	---

REVISIONS				
ZONE	REV.	DESCRIPTION	DATE	APPROVED
	A	EC1914	02-MAY-97	MDW



FILM/DWG: SERVICE DIAGRAM
 DATABASE: E1914P.DBF DATE: 16-JUN-97
 LAYERS PLOTTED: 1 2 3 4 10
 18

DATABASE FILE:
E1914P.DBF
 CHECKED BY: *Bles*
 DATE: *6/16/97*
 APPROVED: *MDW*
 DATE: *6/16/97*
 TOLERANCES: UNLESS OTHERWISE NOTED
 X.X ±0.050"
 X.XX ±0.010"
 X.XXX ±0.005"
 ANGLES ±0.500°

PROPRIETARY
 THIS DRAWING DOCUMENT CONTAINS INFORMATION WHICH IS PROPRIETARY TO AND IS THE PROPERTY OF THE FENDER MUSICAL INSTRUMENTS CO. AND MAY NOT BE USED, REPRODUCED OR DISCLOSED IN ANY MANNER WITHOUT THE EXPRESSED WRITTEN CONSENT FROM:
 FENDER MUSICAL INSTRUMENTS CO.
 REGIONAL HEADQUARTERS
 2621 RESEARCH DRIVE
 CORONA, CA 91720 USA
 NEXT HIGHER ASSEMBLY:

Fender MUSICAL INSTRUMENTS
 2621 Research Drive
 Corona, CA 91720 USA
 TITLE: SERVICE DIAGRAM
 FRONTMAN 15G AMPLIFIER
 SIZE **B** DRAWN: WILKENS DRAWING NUMBER 0051920000 REV. A
 ENGR: WILKENS
 CREATED: 25-APR-97
 PLOTTED: 16-JUN-97 SHEET 2 OF 2