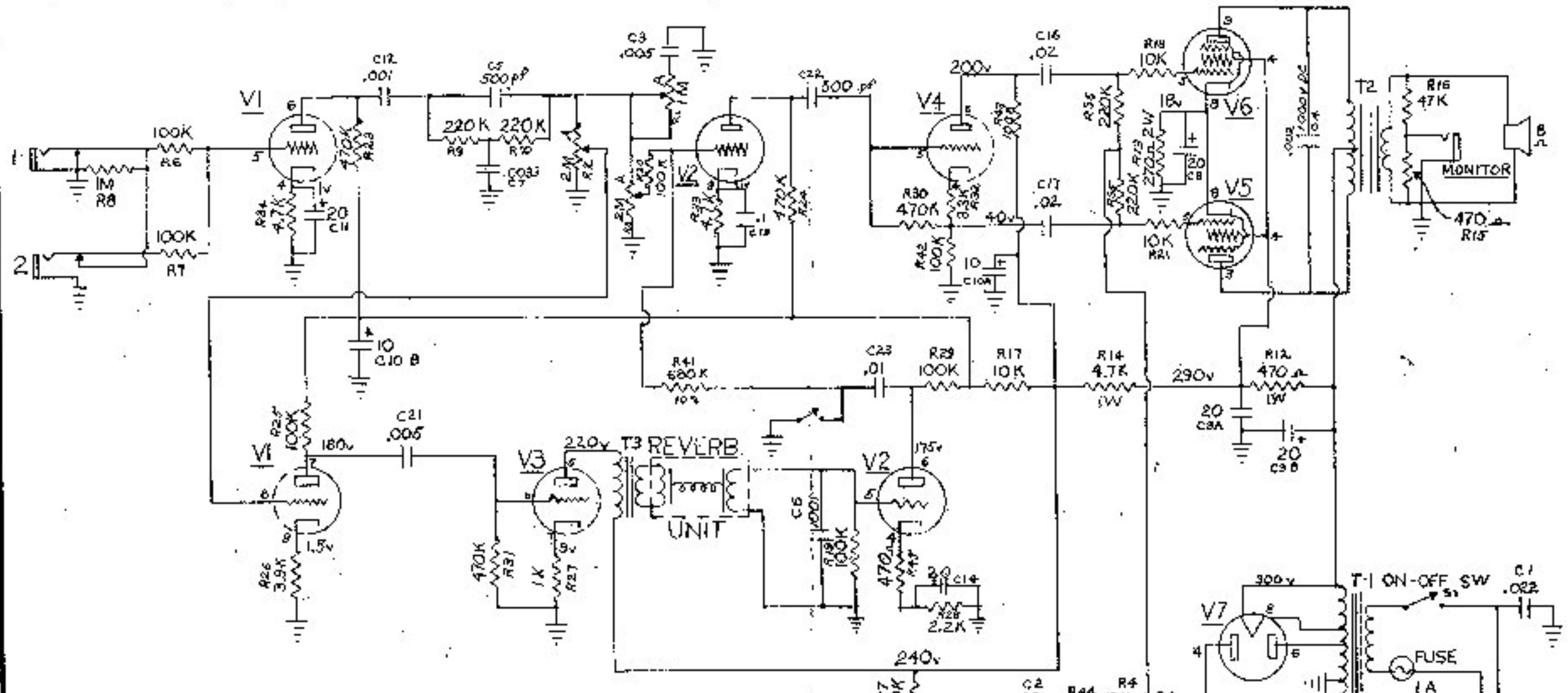


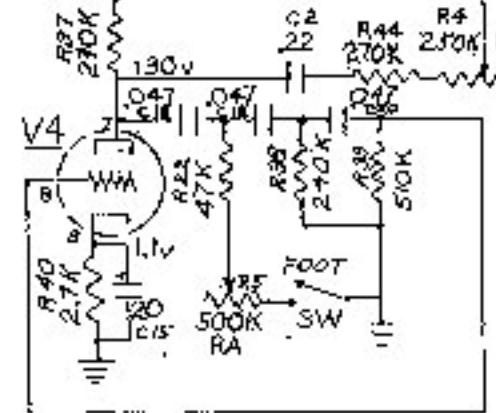
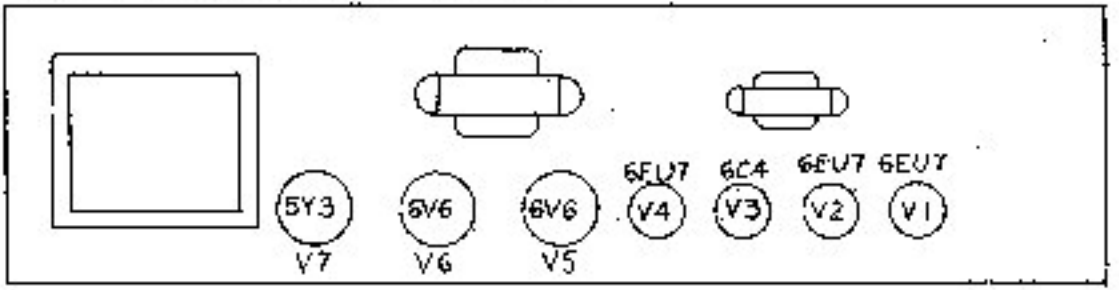
Gibson Amp GA-19RVT "Falcon"

- R2, R3 Loudness & Reverb. Control, 2 meg audio taper C-BA-811-3702
- R4 Depth Control, 250K reversed audio C-BA-811-3704
- R5 Frequency Control, 500K reversed audio C-BA-811-3705
- R1 Tone Control, 1 meg audio taper C-BA-811-3709

- T1 Output Transformer TF-18-01
- T2 Power Transformer TF-18P
- T3 Reverberation Transformer TF-E-6400
- S1 Toggle Switch (on-off) with 2 mts SM-80994
- (S) S-20009 12" Speaker S-20009

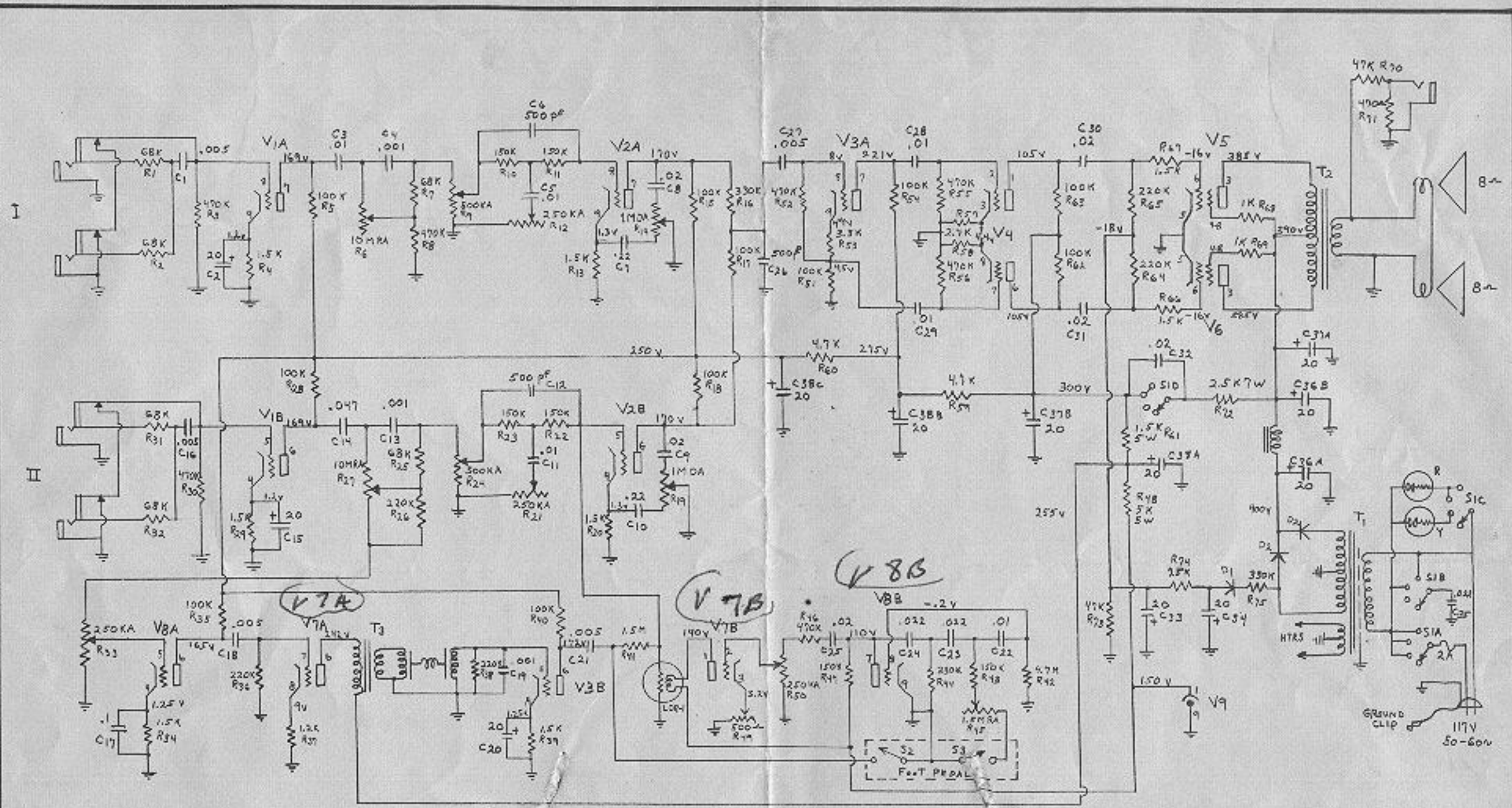


TUBE PLACEMENT CHART

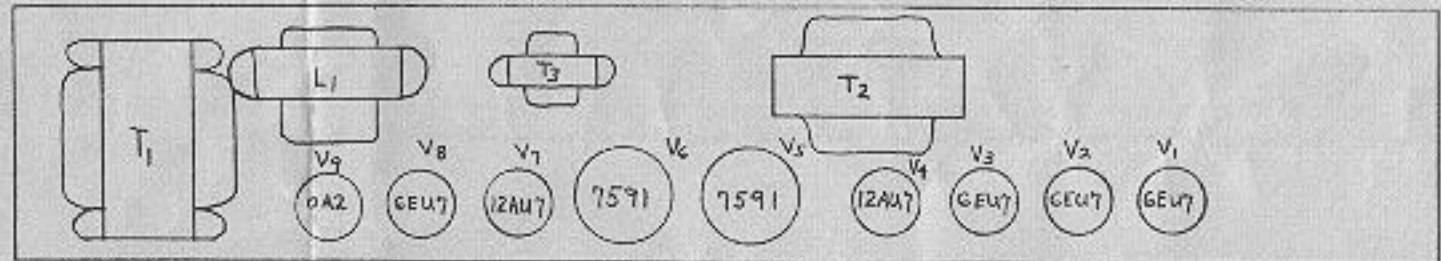


ALL DC VOLTAGES ARE MEASURED TO CHASSIS WITH V.T.V.M.

Gibson Amp Model GA-30RVT *Invader*



- | | | |
|----------|--|--------------|
| S1 | Switch, off, standby, on-on Rotary | SW-7B |
| S2, S3 | Switch, push, push | SW-82403 |
| R49 | 500 ohm ± 20% linear taper wirewound control | C-B-29391 |
| R12, R21 | 250K, C2 Audio Taper Control | CBA-811-3701 |
| R33, R50 | | |
| R45 | 1.5 meg, C3 Reversed Audio Taper Control | CBA-811-3711 |
| R9, R24 | 500K, C2 Audio Taper Control | CBA-811-3707 |
| R6, R27 | 10 meg, C3 Reversed Audio Taper Control | CBA-811-3710 |
| R14, R19 | 1 meg ± 30% DA Special Taper Control | CBA-813-4001 |
| T1 | Power Transformer | TF-100-P |
| T2 | Output Transformer 16 ohm | TF-P-6417-1 |
| T3 | Reverb. Transformer | TF-E-6400 |
| L1 | Filter Choke | TF-3021 H |
| D1 | Diode 600 PIV, 250MA | DI-71B |
| D2 | Diode 1200 PIV, 250 MA | DI-57 |



Gibson Amp "RANGER"

GA-55 RVT

