

NOTES

PCB: JMB0

V1.2: ECC83. filament supply shown on power stage diagram.

J53.4 chassis mounted and linked to board

4	18-5-88	CPV
---	---------	-----

ISS. DATE	DRN.
-----------	------

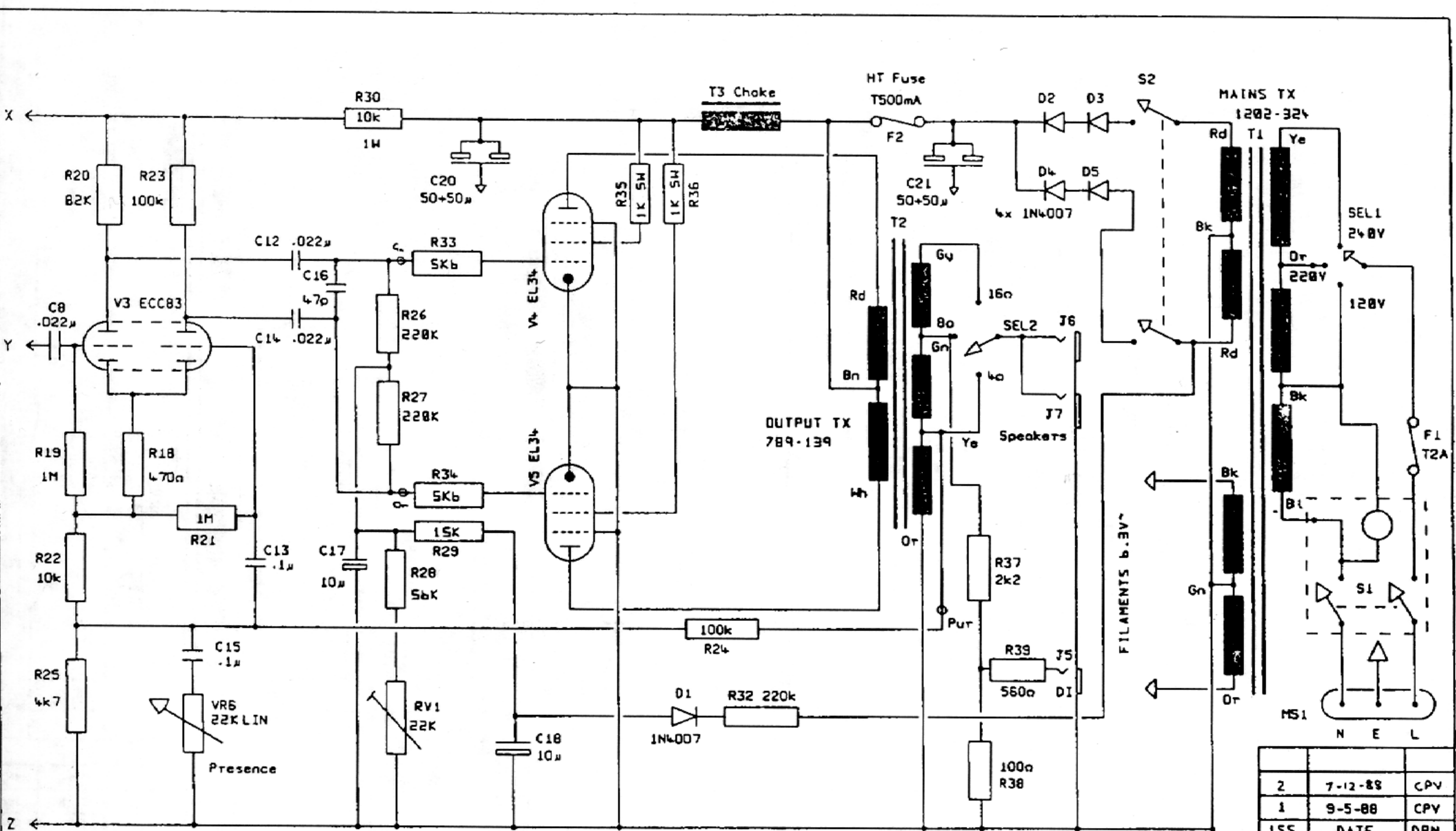
DRAWING NUMBER

1987 STD
Preamp

MARSHALL

JIM MARSHALL
PRODUCTS LTD.
BLETCHLEY
MILTON KEYNES
ENGLAND
File: 1987PRE.DGM





2	7-12-88	CPV
1	9-5-88	CPV
ISS.	DATE	DRN.
1987 STD		
Output Stage & PSU		
MARSHALL		
JIM MARSHALL PRODUCTS LTD.		
BLETCHLEY MILTON KEYNES ENGLAND		
FI to 1987P4R.001		