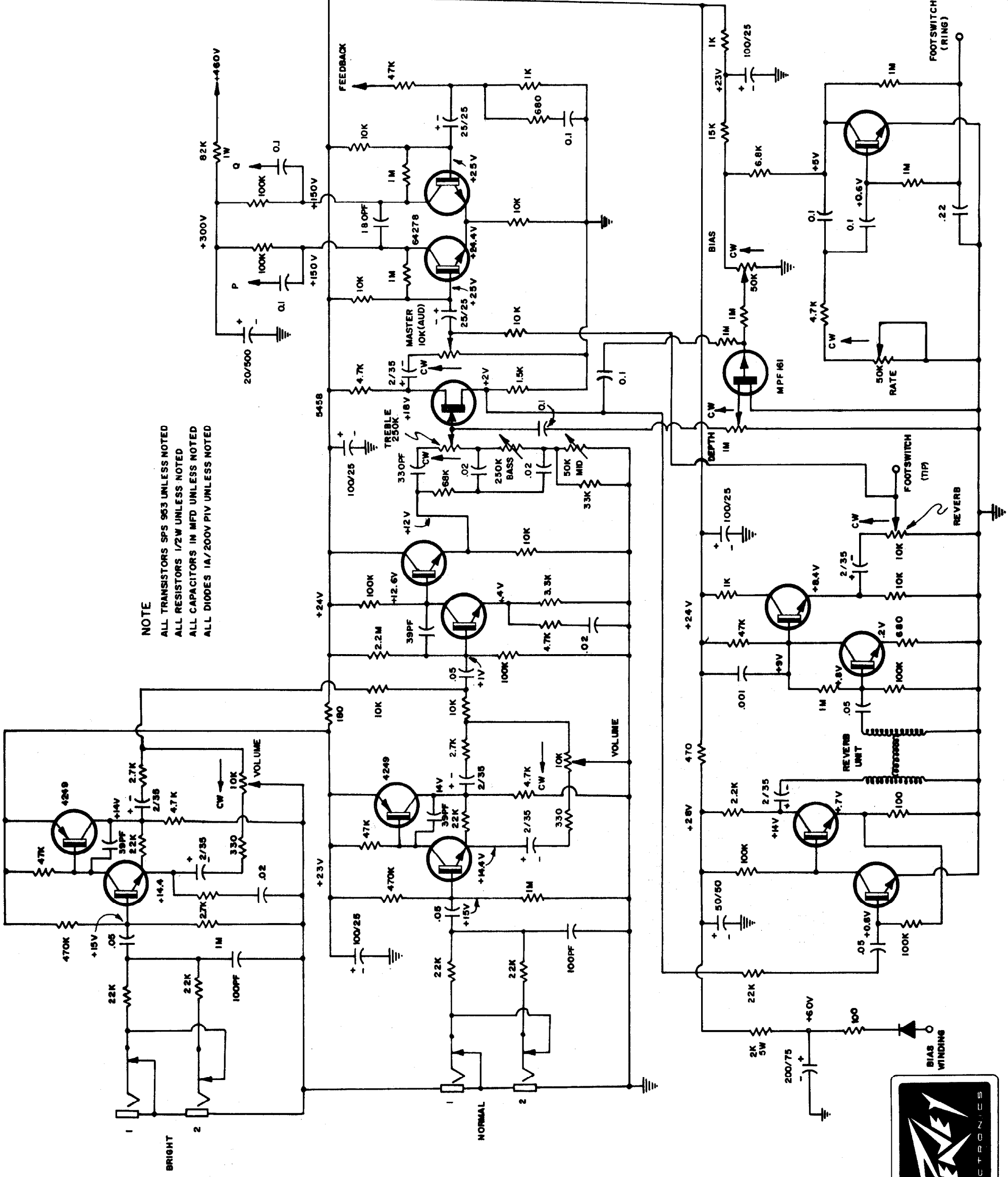




NOTE
ALL TRANSISTORS SPS 953 UNLESS NOTED
ALL RESISTORS 1/2W UNLESS NOTED
ALL CAPACITORS IN MFD UNLESS NOTED
ALL DIODES 1A/200V PIV UNLESS NOTED



CLASSIC POWER AMP

