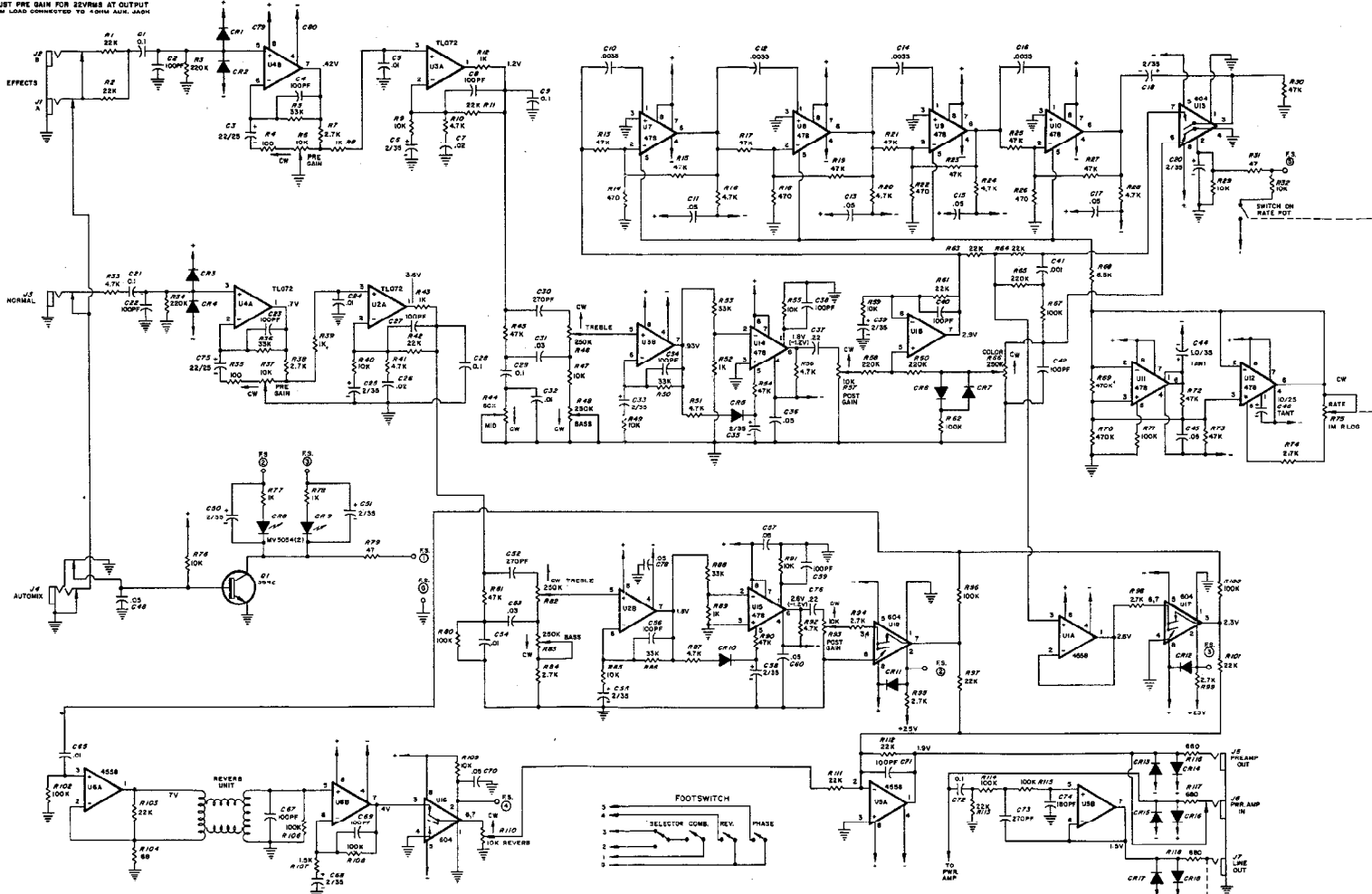


MACE DEUCE PREAMP

Peavey

TEST CONDITIONS:
 INPUT SIGNAL - 100mV @ 1KHz
 POST GAIN FULL
 TONE CONTROLS AT 1200
 ADJUST PRE GAIN FOR 120mV @ OUTPUT
 150mV LOAD CONNECTED TO LINE AMP IN



NOTES
 ALL RESISTORS 1/4W UNLESS NOTED
 ALL CAPACITORS IN MFD UNLESS NOTED
 ALL DIODES 1N4148 UNLESS NOTED
 LAST RES DESIGNATION USED:
 R-118
 C-81
 D-18
 Q-11
 M-19
 POWER SUPPLY 15.0V DC

VOLTAGES
 2V+ RMS VOLTAGE
 (2V)- DC VOLTAGE

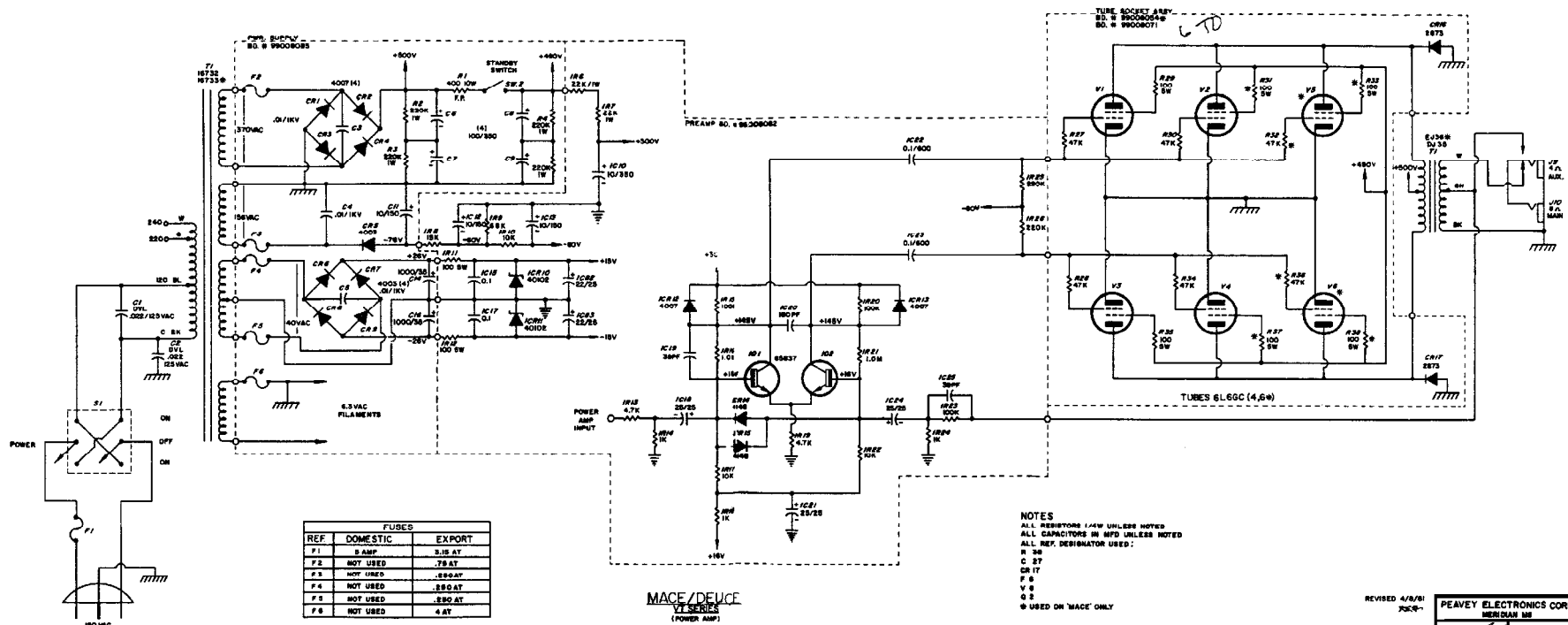
PEAVEY ELECTRONICS CORP. REVISED 4/11/81
 MERRIDEN, MS
 DRAWN BY *[Signature]* DATE 4-1-78
 CK BY *[Signature]*
 APPR BY *[Signature]*

DEUCE/MACE
 V1 SERIES
 80-139000002

COPYRIGHT 1981 PRINTED IN U.S.A.

MACE DEUCE PWR/OUTPUT

Peavey



FUSES		
REF	DOMESTIC	EXPORT
F 1	5 AMP	3.15 AT
F 2	NOT USED	.75 AT
F 3	NOT USED	.500 AT
F 4	NOT USED	.500 AT
F 5	NOT USED	.500 AT
F 6	NOT USED	4 AT

NOTES
 ALL RESISTORS 1/4W UNLESS NOTED
 ALL CAPACITORS IN MFD UNLESS NOTED
 ALL REF. DESIGNATOR USED:
 R 30
 C 37
 CR 17
 F 8
 V 8
 * USED ON 'MACE' ONLY

REVISED 4/8/61
 JSCB
PEAVEY ELECTRONICS CORP
 MENDOTA, ILL.
 DRAWN BY *[Signature]* DATE 7-24-59
 CK BY *[Signature]*
 DIFFR. BY *[Signature]*