

# **SERVICE MANUAL**

# **VOX**

# **AC15H1TV/AC15H1TVL**



## **TABLE OF CONTENTS**

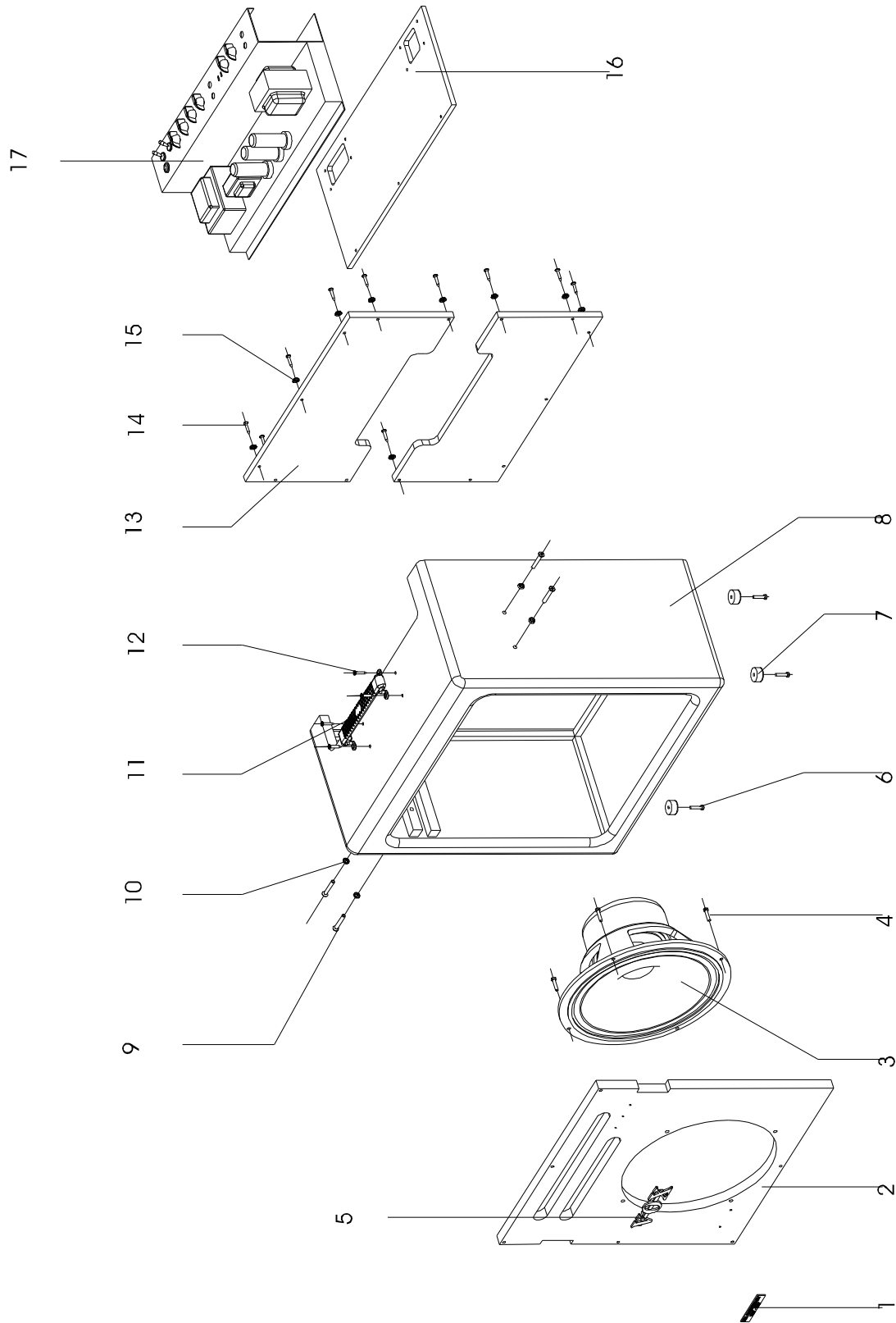
**ASSEMBLY SKETCH : 2**  
**ASSEMBLY PARTS LIST: 3**  
**SCHEMATIC DIAGRAM: 4**  
**WIRE CONNECTION: 5**  
**COMPONENT LOCATION: 6-8**  
**PARTS LIST: 9-10**



**Issued: Sep.12, 2007**  
**Ver.1**

★ ASSEMBLY SKETCH

AC15H1TV



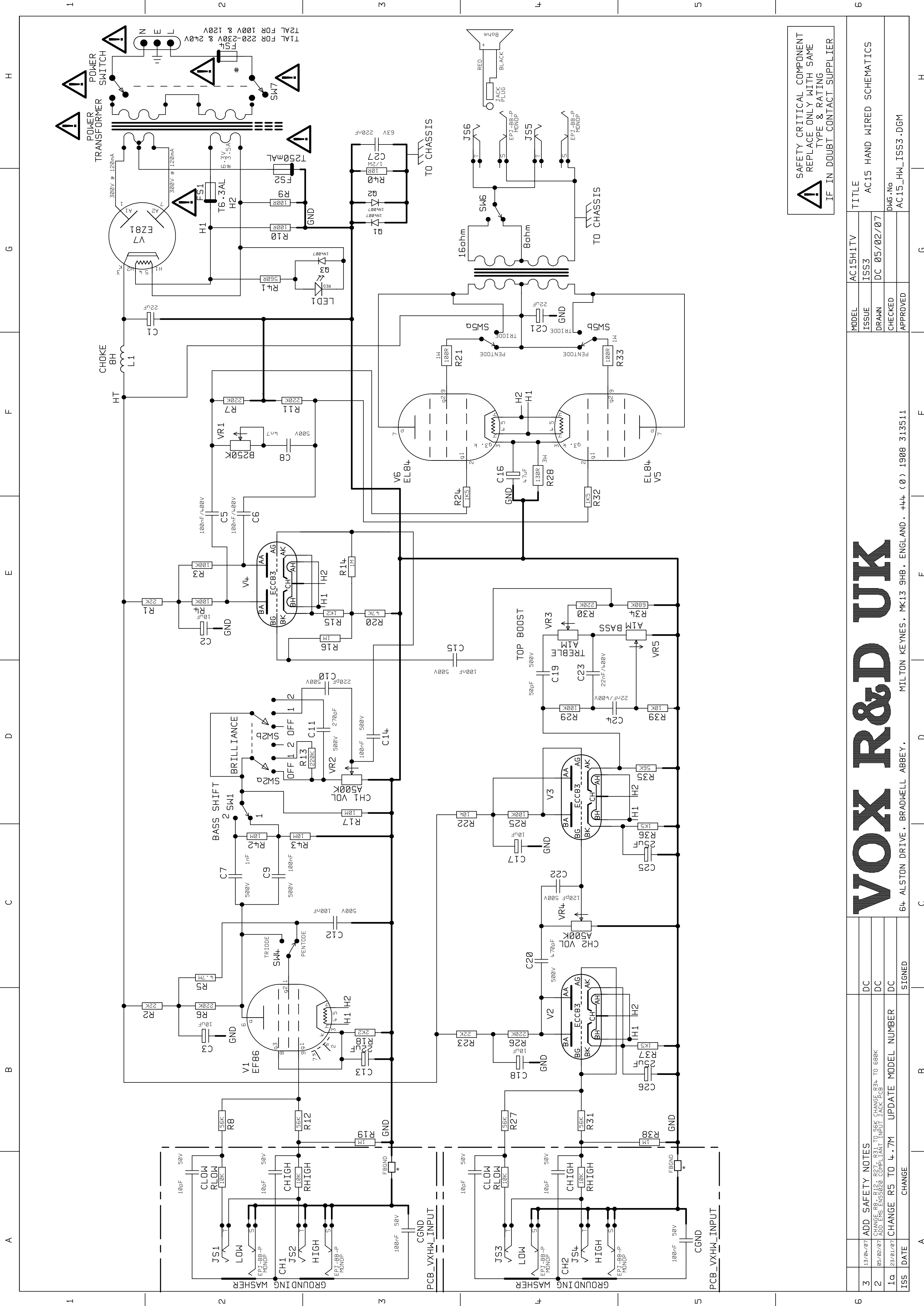
### ASSEMBLY PARTS LIST AC15H1TV

R/N	Part Code	Part Name	Description	QTY
1	530000000915	VOX Bronzing badge	Black ABS Text bronzing	1
2	530000000918	FRONT BAFFLE	Black spray brown diamond cloth	1
3	530000000926	12" SPEAKER	Celestion AlNico blue	1
4		SCREW	M5*25 Black Round Head	4
5	530000000057	GOLDEN Logo	golden "VOX"	1
6		WOOD SCREW	M4*20PA Round Head	4
7	530000000916	RUBBER FEET	with steel washer inside	4
8	530000000921	CABINET	Cream vinyl black sprayed inside	1
9		SCREW	M6*60 head-sinking Brass	4
10		M6 CUP WASHER	brass	4
11	530000000917	VOX HANDLE	Brown PVC&Al-alloy	1
12		SCREW	M4*24 Silver, half sinking head	4
13	530000000919	BACKBOARD	Cream vinyl black sprayed inside	2
14		WOOD SCREW	M4*28, Brass	11
15		M4 CUP WASHER	brass	14
16	530000000920	AMP SHELF	All sprayd black	1
17	See Parts List	AC15HW AMPLIFIER	INPUT VOLTAGE 230V	1

### ASSEMBLY PARTS LIST AC15H1TVL

R/N	Part Code	Part Name	Description	QTY
1	530000000915	VOX Bronzing badge	Black ABS Text bronzing	1
2	*530000000952	FRONT BAFFLE	Black spray brown diamond cloth	1
3	530000000926	12" SPEAKER	Celestion AlNico blue	1
4		SCREW	M5*25 Black Round Head	4
5	530000000057	GOLDEN Logo	golden "VOX"	1
6		WOOD SCREW	M4*20PA Round Head	4
7	530000000916	RUBBER FEET	with steel washer inside	4
8	*530000000953	CABINET	Sapele solid wood, danish oil covered	1
9		SCREW	M6*60 head-sinking Brass	4
10		M6 CUP WASHER	brass	4
11	530000000917	VOX HANDLE	Brown PVC&Al-alloy	1
12		SCREW	M4*24 Silver, half sinking head	4
13	*530000000954	BACKBOARD	Sapele solid wood, danish oil covered	2
14		WOOD SCREW	M4*28, Brass	11
15		M4 CUP WASHER	brass	14
16	530000000920	AMP SHELF	All sprayd black	1
17	See Parts List	AC15HW AMPLIFIER	INPUT VOLTAGE 230V	1

\*AC15H1TVL is a limited model. Regarding these parts, please ask KORG INC.

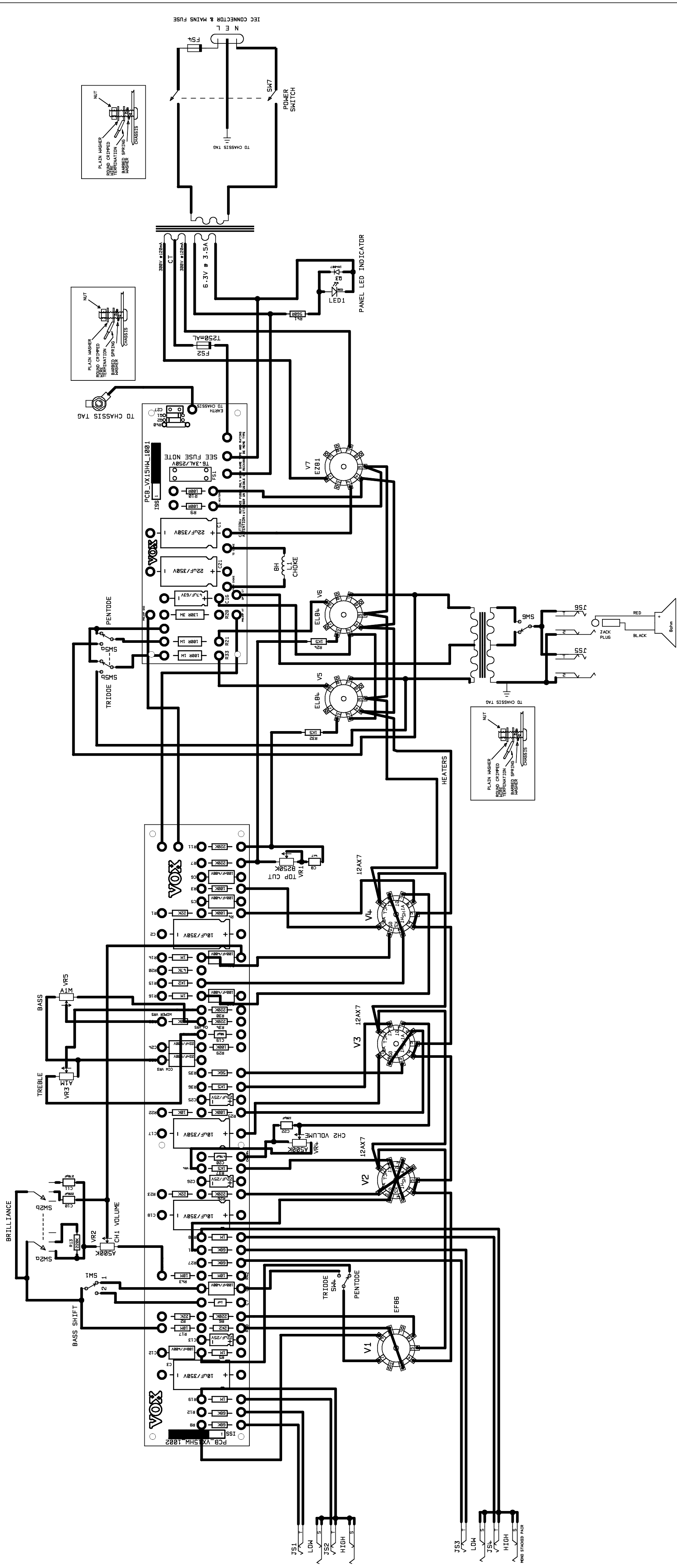


**SAFETY CRITICAL COMPONENT**  
 REPLACE ONLY WITH SAME  
 TYPE & RATING  
 IF IN DOUBT CONTACT SUPPLIER

3	13/06/07	ADD SAFETY NOTES	DC	MODEL	AC15H1TV	TITLE	AC15 HAND WIRED SCHEMATICS
2	05/02/07	CHANGE R22, R23, R31 TO 56K CHANGE R34 TO 680K ADD E15, ENSURE COMPILANT INPUT JACK PCB	DC	ISSUE	ISS3	DC	DC 05/02/07
1a	23/01/07	CHANGE R5 TO 4.7M UPDATE MODEL NUMBER	DC	DRAWN	DC	CHECKED	APPROVED
ISS	DATE	CHANGE	SIGNED	APPROVED	DC	APPROVED	APPROVED

64 ALSTON DRIVE, BRADWELL ABBEY, MILTON KEYNES, MK13 9HB, ENGLAND. +44 (0) 1908 313511

6

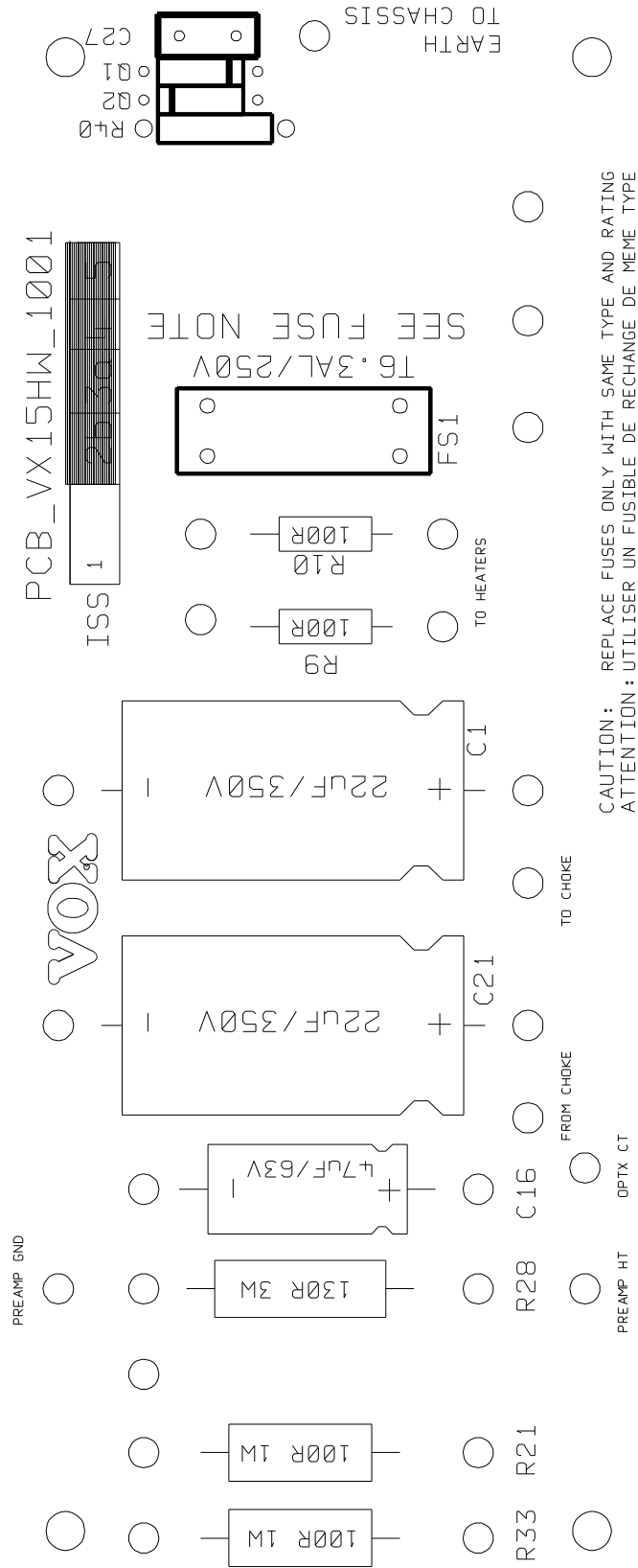


ISS	DATE	CHANGE	SIGNED	A	B	C	D	E	F	G	H
<b>VOX R&amp;D UK</b>											
MILTON KEYNES, MK13 9HB, ENGLAND, +44 (0) 1908 313511											
64 ALSTON DRIVE, BRADMELL ABBEY.											
TITILE <b>AC15 HANDWIRED WIRING DIAGRAM</b>											
MODEL <b>AC15HW</b>											
ISSUE <b>ISS1</b>											
DRAWN <b>DC 09/01/07</b>											
CHECKED											
APPROVED											
DIAK. No <b>AC15_HW WIRING DIAGRAM ISS1.DIA</b>											

★ PCB COMPONENTS LOCATON DRAWING

**AC15H1TV**

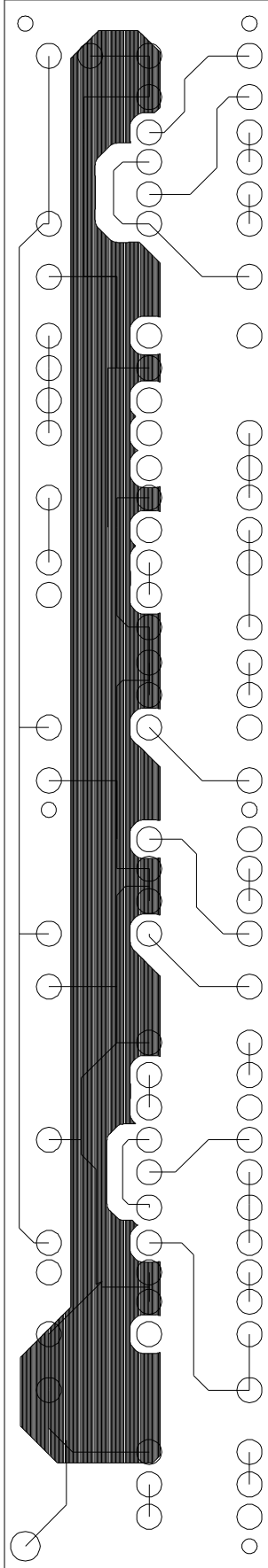
LAYER 7 (SILK SCREEN ARTWORK)  
ISSUE - 1



★ PCB COMPONENTS LOCATON DRAWING

AC15H1TV

ISSUE - S  
(SOOLDER SIDE) MARK







**VOX AC15H1TV/AC15H1TVL Parts List**

Part Number	Part Name	Note	QTY
530000000057	LOGO PLATE 217-1327000001		1
5300000000915	VOX BRONZING BADGE		1
5300000000916	RUBBER FOOT PAI43X19.1		4
5300000000917	VOX HANDLE ASS'Y (BROWN)		1
5300000000705	EVA SPONGE 15.0W*2.0T		3
5300000000918	FRONT BAFFLE AC15H1TV		1
5300000000919	BACKBOARD AC15H1TV		2
5300000000920	AMP SHELF AC15H1TV		1
5300000000921	CABINET AC15H1TV		1
5300000000922	AC15H1TV AMPLIFIER 100V	100V	(1)
5300000000923	AC15H1TV AMPLIFIER 120V	120V	(1)
5300000000924	AC15H1TV AMPLIFIER 230V	230V	(1)
5300000000925	AC15H1TV AMPLIFIER 240V	240V	(1)
5300000000926	CELESTION ALNICO BLUE 12"		1
5300000000611	POWER CABLE (120V US/EX)	US,EX	(1)
5300000000081	POWER CABLE AC15(230V UK)	UK	(1)
5300000000695	POWER CORD (AU)	AU	(1)
5300000000080	POWER CABLE AC15(230V GE)	GE	(1)
5300000000078	POWER CABLE AC15(100V)	JP	(1)
5300000000927	POWERTRANS120V 022-1020042305R	US,EX	(1)
5300000000928	POWERTRANS230V 022-1020042306R	UK ,GE	(1)
5300000000929	POWERTRANS240V 022-1020042307R	AU	(1)
5300000000930	POWERTRANS100V 022-1020042304R	JP	(1)
5300000000609	FUSE T2A/250V	US,EX,JP	(1)
5300000000677	FUSE WIRE T1AL/250V	UK,GE,AU	(1)
5300000000931	AC15HW PREAMP POP PCB		1
5300000000932	INPUT POP PCB		2
5300000000112	PHONE SOCKET LS-2031-4	LOW HIGH	4
5300000000933	FERRITE BEAD TB35-707934	FBGND	2
5300000000680	FUSE WIRE T6.3A/250V		1
5300000000114	FUSE BASE	FS1	2
5300000000119	DIODE IN4007	Q1,2	3
5300000000091	MOVE SWITCH MS350 W1221S0022		1
5300000000934	CREAM KNOB FOR HERITAGE		6
5300000000705	EVA SPONGE 15.0W*2.0T		1
5300000000935	FRONT PANEL AC15H1TV		1
5300000000936	VALVE BASE		1
5300000000937	CHASSIS 1		1
5300000000938	CHASSIS 2		1
5300000000939	COVER		1
5300000000940	SUPPORTING BOARD		3
5300000000799	VACUUM TUBE EZ81 (JJ)	V7	1
5300000000097	VALVE ECC83(12AX7)	V2,4	2
5300000000098	VALVE EL84EH	V5,6	2
5300000000800	VACUUMTUBE EF86EH WITH DYNAMAT	V1	1
5300000000798	12AX7WC MADE RUSSIA (SOVTEK)	V3	1
5300000000099	VALVE BASE GZC9F	V1-7	7

Part Number	Part Name	Note	QTY
530000000941	BRACKET 1		1
530000000942	BRACKET 2		1
530000000101	VALVE CLAMP 9T-60		3
530000000943	VR A1M RV24AF-10	VR3,VR5	2
530000000944	VR B250K RV24F-10	VR1	1
530000000945	VR A500K RV24AF-10	VR2,VR4	2
530000000946	OUTPUT TRANSFORMER		1
530000000083	FUSE 50T0250H(250MA/250V)		1
530000000947	SW SR2511F-0203-15KOA-C9-N	SW2	1
530000000948	SW SS-12F13-G5B	SW1,4	2
530000000642	SW 6021-K1C1T2(100/230/240V)	SW5	1
530000000949	SW CHILY 6022	SW7	1
530000000950	POWER SOCKET RF-2004-C-4.8		1
530000000112	PHONE SOCKET LS-2031-4	JS5,6	2
530000000089	FUSE BASE R3-11 5*20	FS2	1
530000000951	INDUCTOR 8H CHOKE		1
530000000918	FRONT BAFFLE AC15H1TV	AC15H1TV	(1)
530000000919	BACKBOARD AC15H1TV	AC15H1TV	(2)
530000000921	CABINET AC15H1TV	AC15H1TV	(1)
*530000000952	FRONT BAFFLE AC15H1TVL	AC15H1TVL	(1)
*530000000953	BACKBOARD AC15H1TVL	AC15H1TVL	(2)
*530000000954	CABINET AC15H1TVL	AC15H1TVL	(1)

\*AC15H1TVL is a limited model. Regarding these parts, please ask KORG INC.