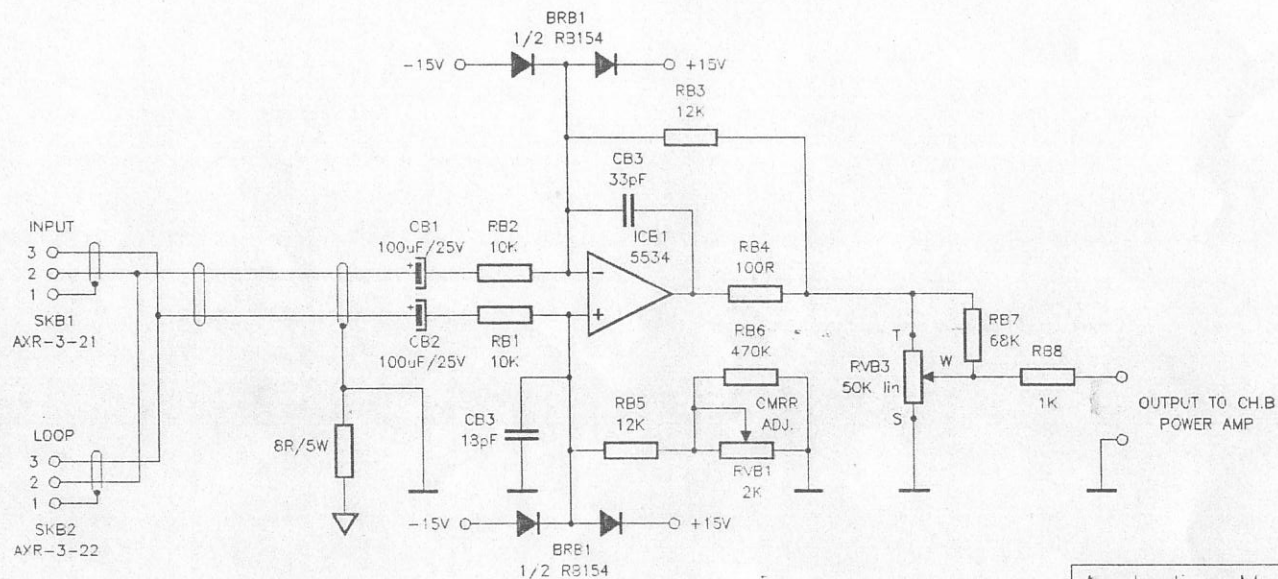
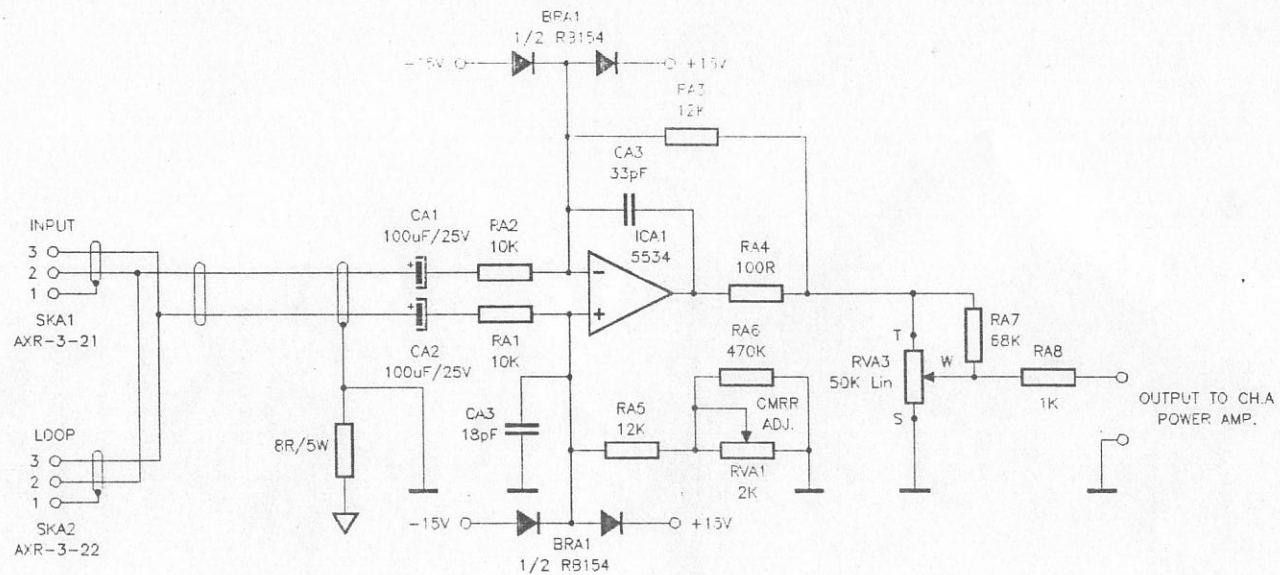
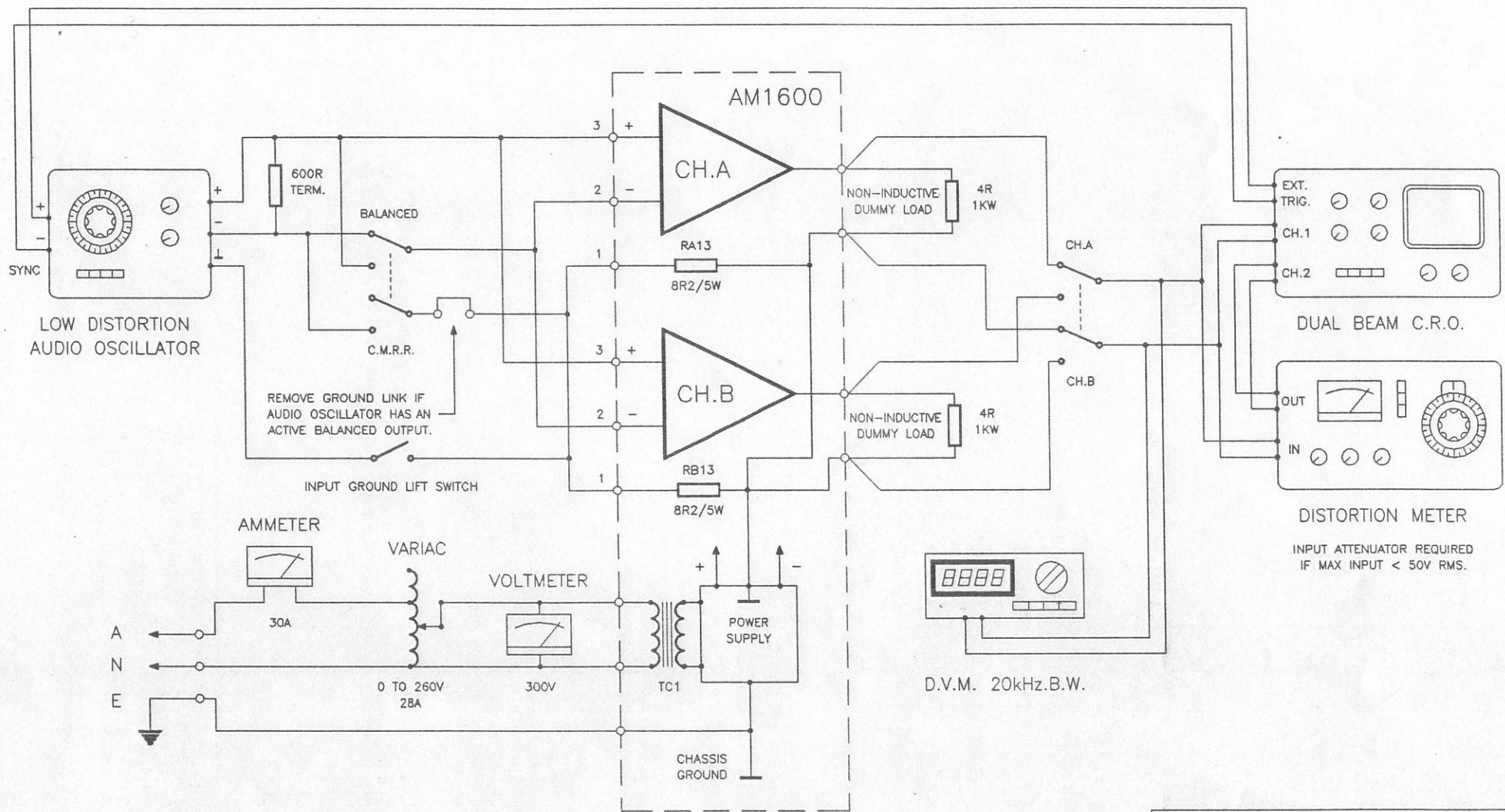


SPECIFICATIONS		MODEL : AM1600
OUTPUT POWER Continuous @ 1 kHz. re 0.05% T.H.D.	Single Ch. 8 Ohm Both Ch. 8 Ohm Single Ch. 4 Ohm Both Ch. 4 Ohm	520 W 470 W 900 W 810 W
2 OHM OUTPUT CAPABILITY @ 1 kHz./ 0.05% T.H.D.	Single Ch. Both Ch.	1200 W 1100 W
BRIDGED OUTPUT POWER @ 1 kHz./ 0.05% T.H.D.	8 Ohm 4 Ohm	1620 W 2200 W
DYNAMIC POWER @ 1 kHz. 20 Cycles 0dB / 480 Cycles -20dB	4 Ohm	950 W
INPUT SENSITIVITY - for Rated Power @ 4 Ohm		0.92V/+1.5dBu
DAMPING FACTOR	@ 1kHz. re 8 Ohm @ 20kHz. re 8 Ohm	>650:1 >200:1
SLEW RATE (Includes all Filters) RISE TIME Both measured Leading Edge of 20 kHz. Square Wave just below Clipping.	@ 8 Ohm	65V/uS 2.2uS @ 170V pk-pk
INPUT IMPEDANCE balanced @ 1kHz.		9k Ohms
VOLTAGE GAIN @ 1kHz.		62X/35.8dB
SIGNAL TO NOISE re Rated Power @ 4 Ohm No Attenuation, A-Weighted.		105dB
T.H.D.+ N @ 1kHz. @ Rated Power		< 0.005%
INTERMODULATION DISTORTION S.M.P.T.E. 60Hz. & 7kHz. / 4:1 C.C.I.F. 14kHz. & 15kHz. / 1:1		< 0.015% < 0.01 %
INPUT C.M.R.R. @ 1kHz.		> 90dB
CHANNEL SEPARATION @ 1kHz.		> 90dB
FREQUENCY RESPONSE 20Hz.- 20kHz. re Rated Power 4 Ohm 1kHz. 0dB Ref. POWER BANDWIDTH -3dB Points		-0.5dB/-0.15dB 5Hz.- 90kHz.
INPUT OVERLOAD		8.33V/+20.6dBu
DIMENSIONS	Height Width Depth excl. Handles Depth incl. Handles	133mm 482mm 375mm 460mm
NET WEIGHT - Shipping weight add 3 kgs.		30 kgs



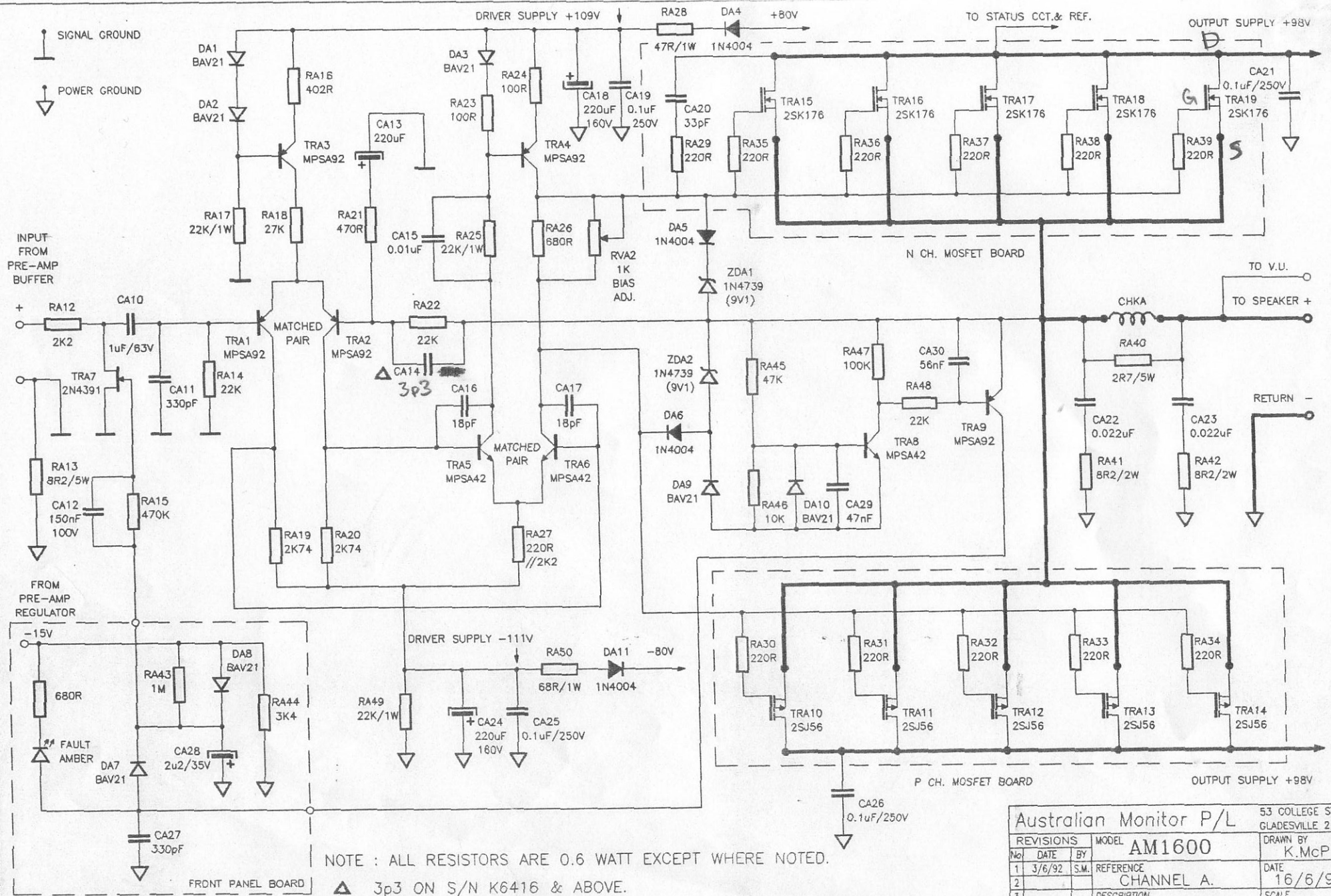
NOTE: ALL RESISTORS ARE 0.6 WATT EXCEPT WHERE NOTED.

REVISIONS			MODEL	53 COLLEGE ST GLADESVILLE 2111	
No.	DATE	BY	AM1600	DRAWN BY K.McF.	
1			REFERENCE	DATE 2/7/92	
2			PRE-AMPS	SCALE	
3			DESCRIPTION	NIL	
4			CH.A & B		



NOTE : TO AVOID GROUND LOOPS - REFERENCE ALL TEST EQUIPMENT GROUNDS TO THE 1K2 GROUND.

Australian Monitor P/L			53 COLLEGE ST GLADESVILLE 2111
REVISIONS		MODEL	DRAWN BY
No	DATE	BY	K.McP.
1		REFERENCE	DATE
2		TEST EQUIPMENT	26/5/92
3		DESCRIPTION	SCALE
4		INTERCONNECT	NIL

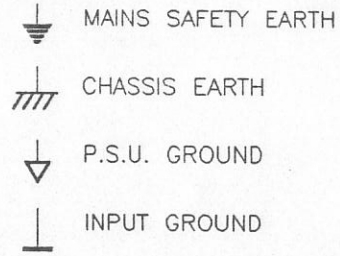


NOTE : ALL RESISTORS ARE 0.6 WATT EXCEPT WHERE NOTED.

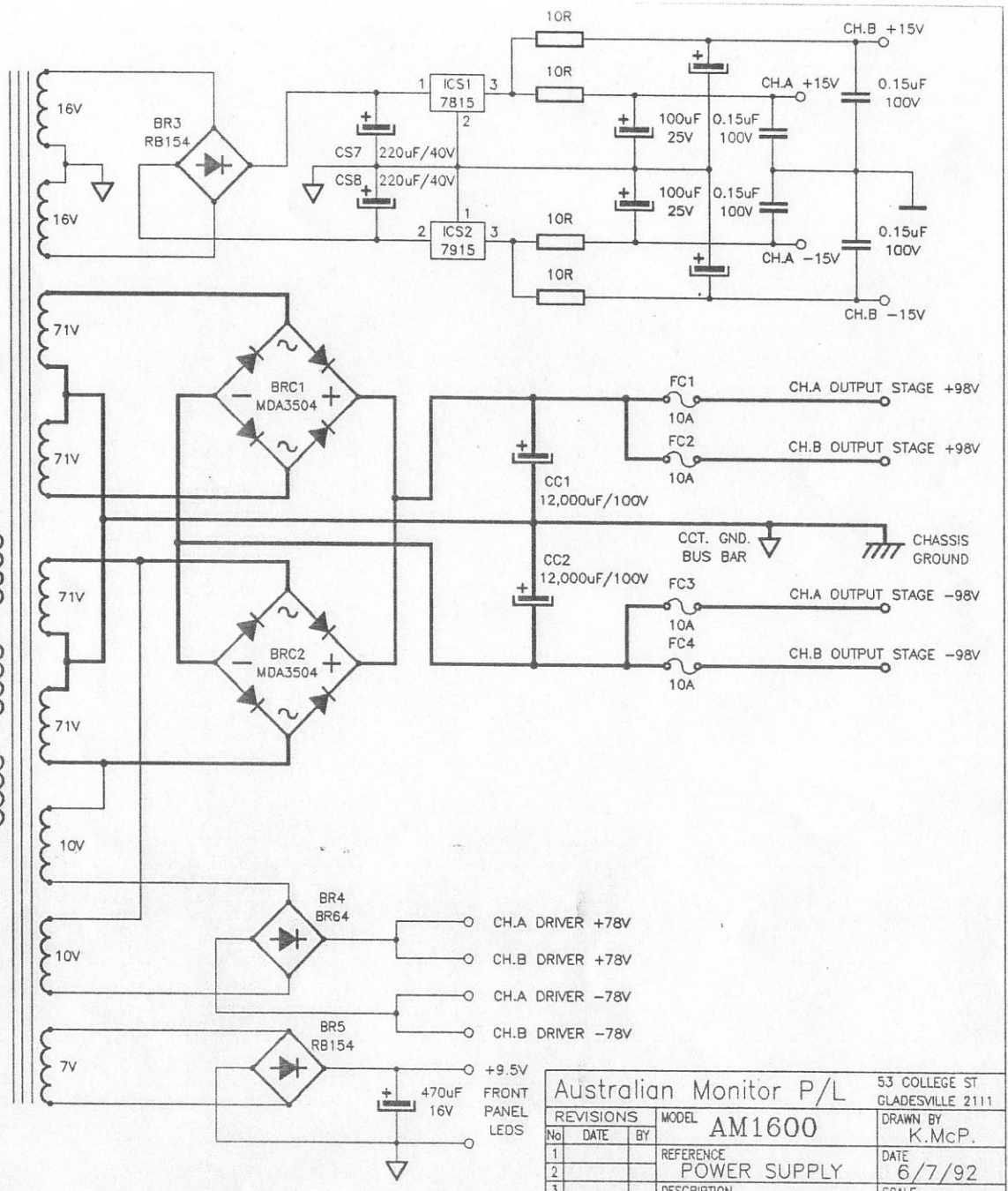
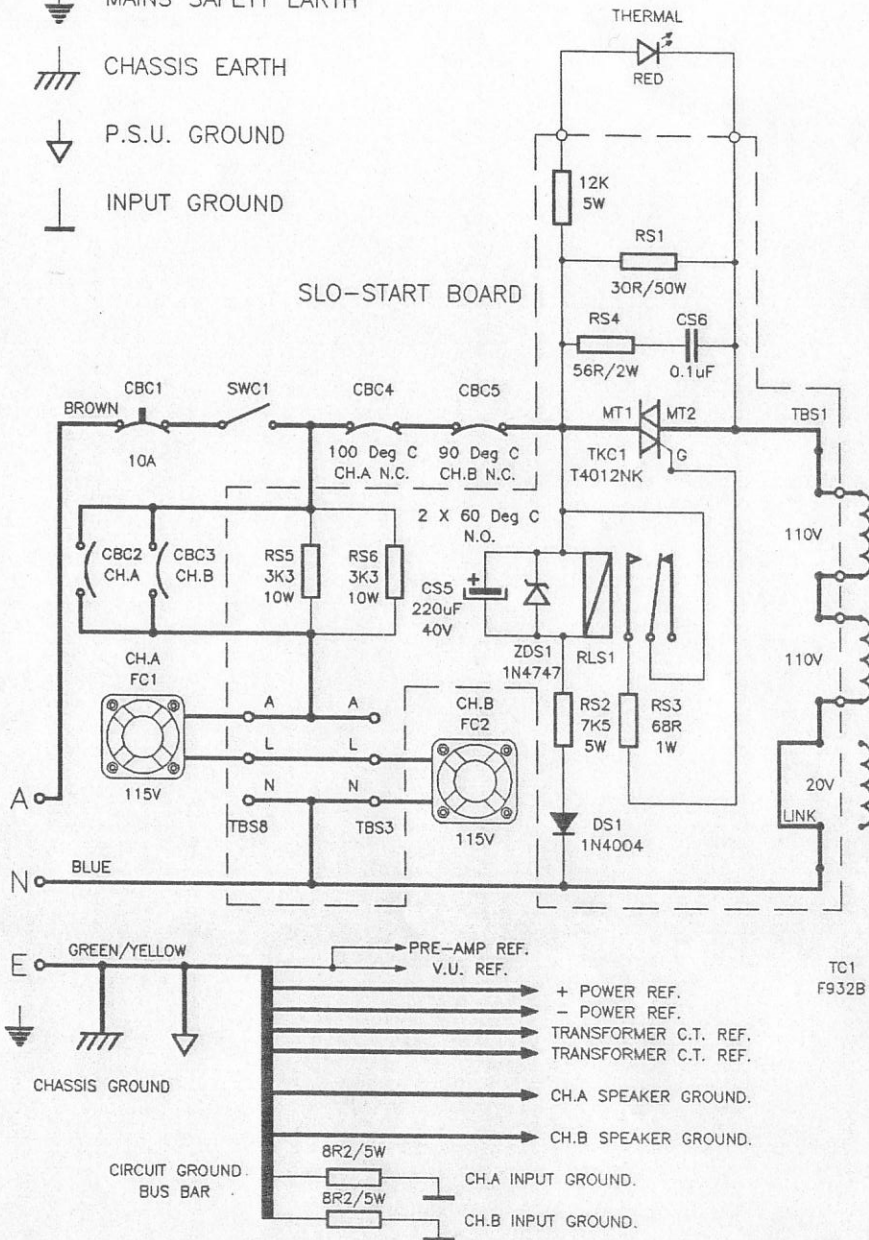
▲ 3p3 ON S/N K6416 & ABOVE.

Australian Monitor P/L			53 COLLEGE ST GLADESVILLE 2111	
REVISIONS		MODEL	DRAWN BY	
No	DATE	BY	AM1600	K.McP.
1	3/6/92	S.M.	REFERENCE	DATE
2			CHANNEL A.	16/6/92
3			DESCRIPTION	SCALE
4			OUTPUT STAGE	NIL

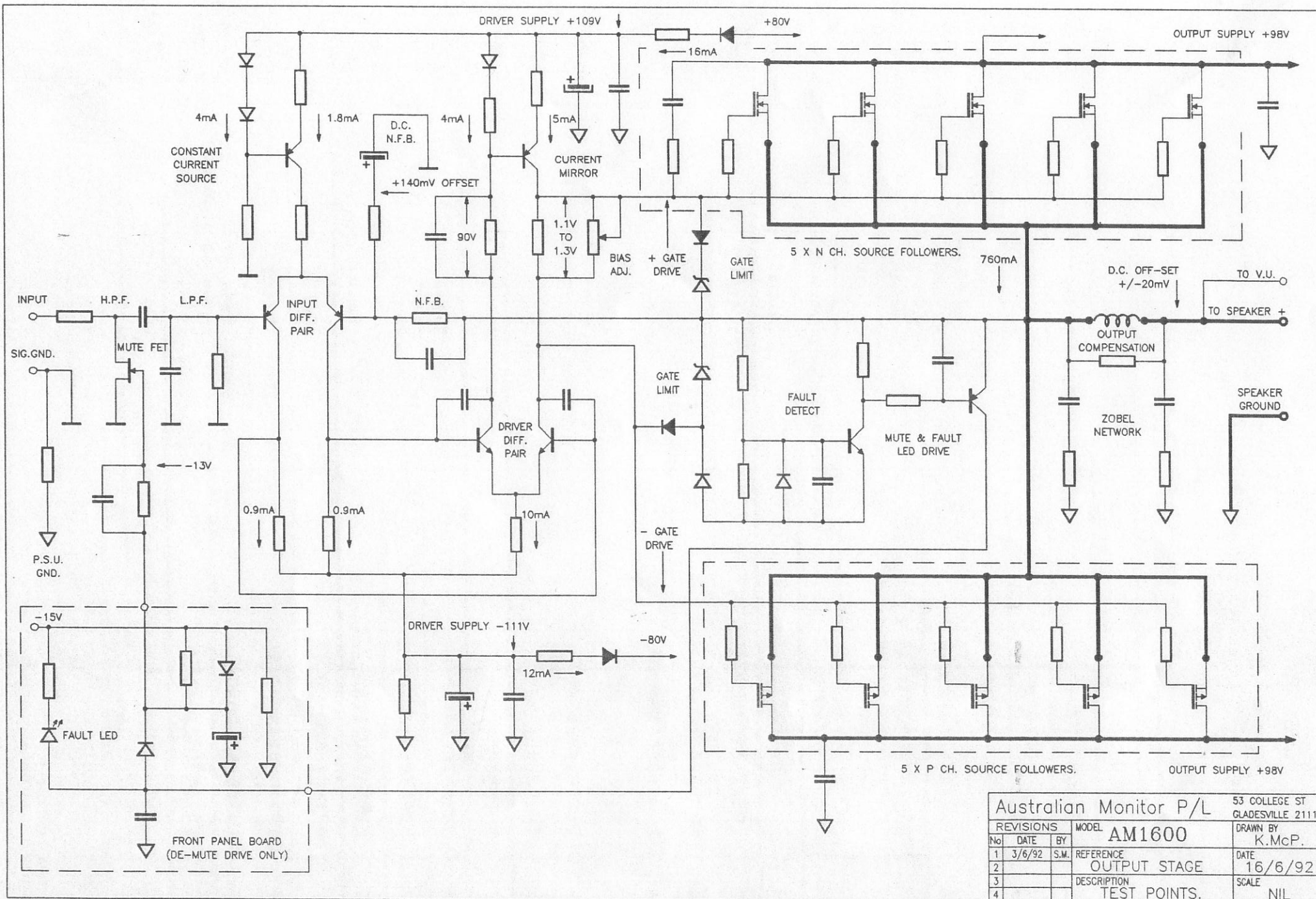
NOTE: ALL RESISTORS ARE 0.6 WATT EXCEPT WHERE NOTED.



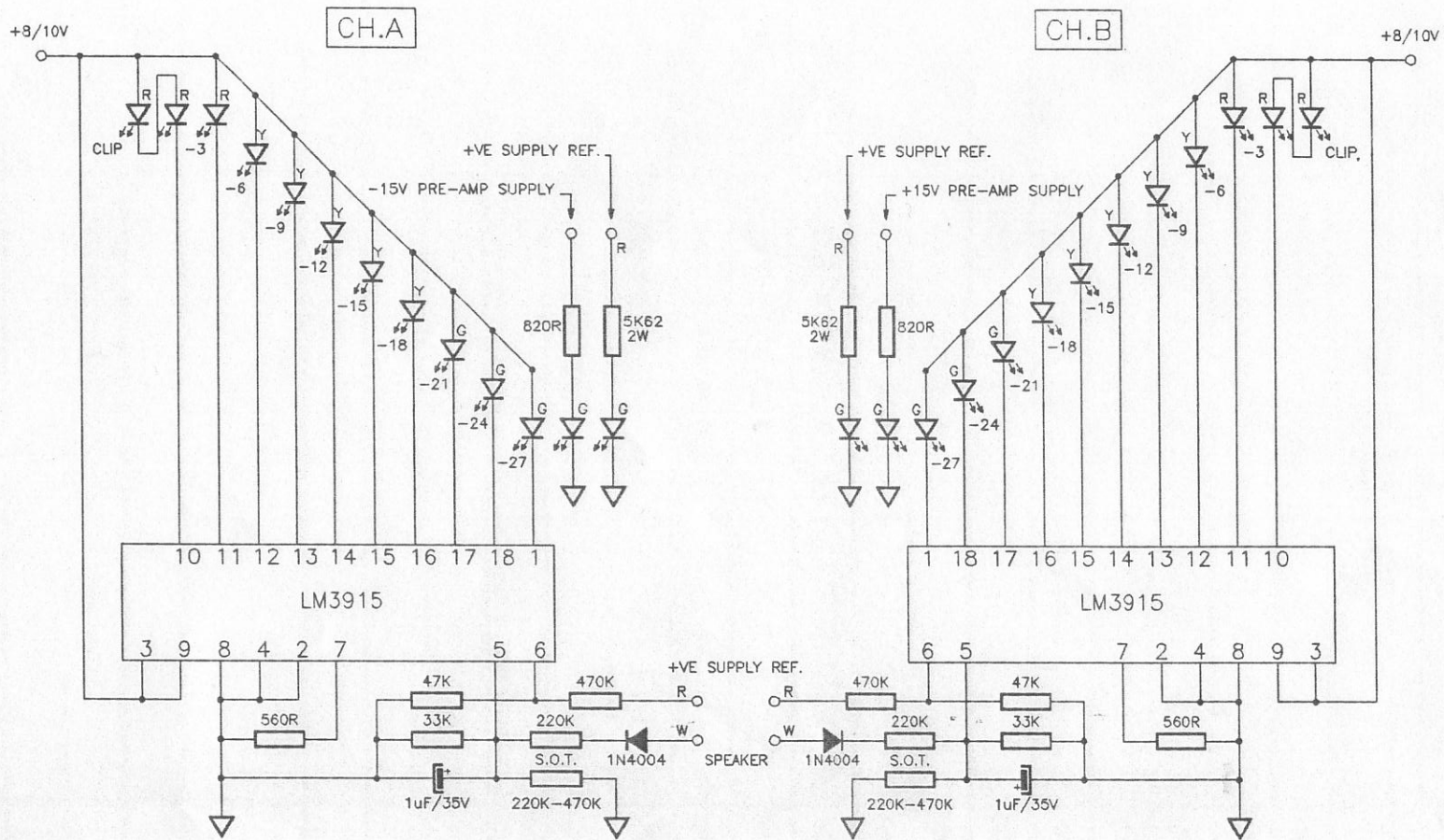
SLO-START BOARD



Australian Monitor P/L			53 COLLEGE ST GLADESVILLE 2111
REVISIONS	MODEL	DRAWN BY	
1	AM1600	K.McP.	
2	REFERENCE	DATE	
3	POWER SUPPLY	6/7/92	
4	DESCRIPTION	SCALE	
	220 VOLT A.C.		NIL



REVISIONS			MODEL	53 COLLEGE ST GLADESVILLE 2111
No	DATE	BY	AM1600	DRAWN BY
1	3/6/92	S.M.	REFERENCE	K. McP.
2			OUTPUT STAGE	DATE
3			DESCRIPTION	16/6/92
4			TEST POINTS.	SCALE
				NIL



NOTE: ALL RESISTORS ARE 0.6 WATT EXCEPT WHERE NOTED.

Australian Monitor P/L			53 COLLEGE ST GLADESVILLE 2111	
REVISIONS		MODEL	DRAWN BY	
No	DATE	BY	AM1600	K.McP.
1			REFERENCE	DATE
2			V.U. DISPLAY	2/7/92
3			DESCRIPTION	SCALE
4			CH.A & B	NIL