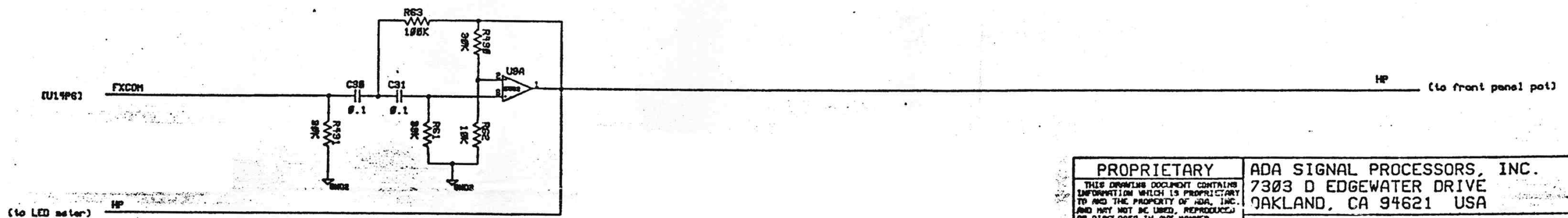
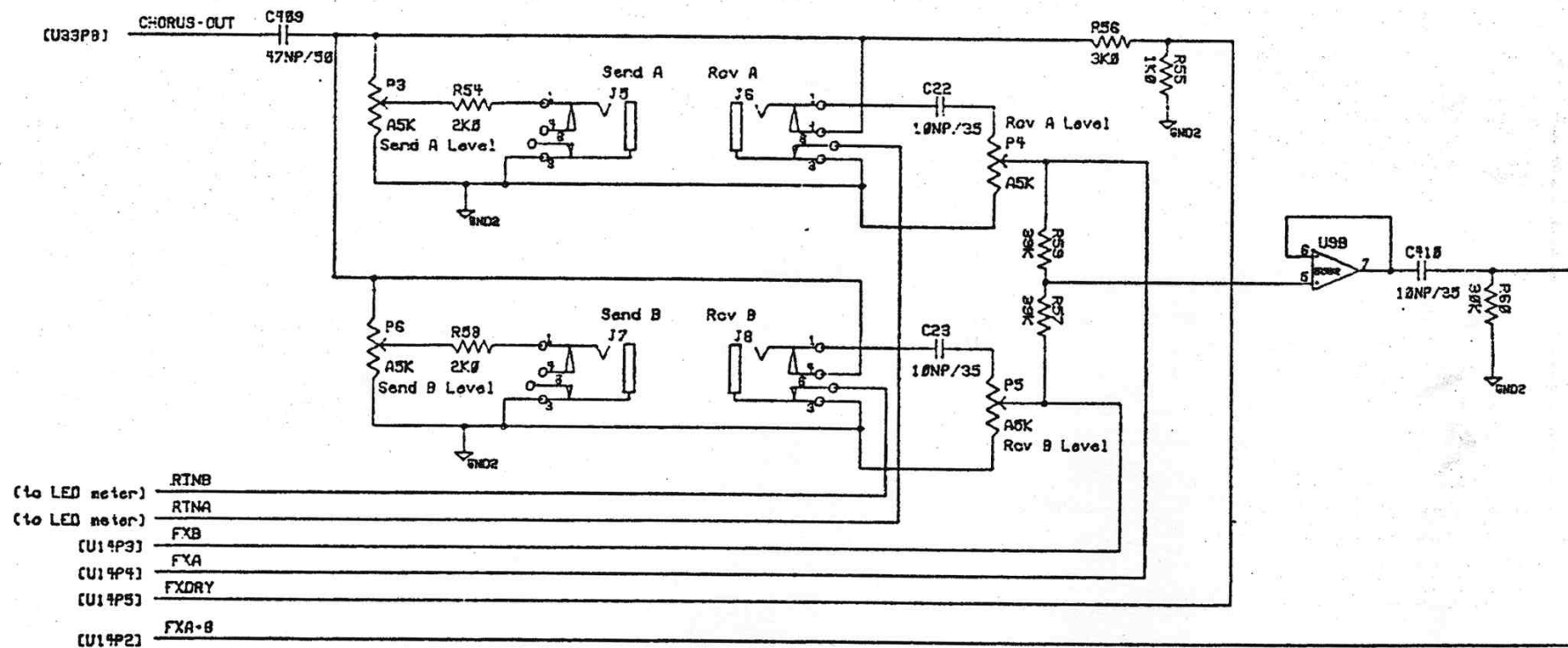
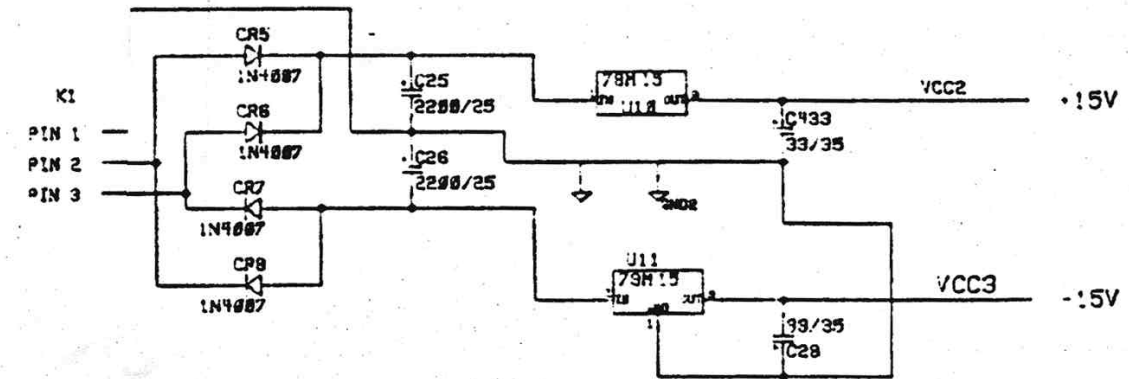


REVISIONS				
ZONE	REV.	DESCRIPTION	DATE	APPROVED



<b>PROPRIETARY</b> <small>THIS DRAWING DOCUMENT CONTAINS INFORMATION WHICH IS PROPRIETARY TO AND THE PROPERTY OF ADA, INC. AND MAY NOT BE USED, REPRODUCED OR DISCLOSED IN ANY MANNER WITHOUT THE EXPRESSED WRITTEN CONSENT OF ADA, INC.</small>		ADA SIGNAL PROCESSORS, INC. 7303 D EDGEWATER DRIVE OAKLAND, CA 94621 USA		
FILENAME MB2D.DBF		MB1 SCHEMATIC EFFECTS LOOP, +/-15V, HIGHPASS FILTER		
CHECKED BY: DJT DATE:	DRAWN: DJT ENGR: DJT	SIZE <b>C 605</b>	DRAWING NUMBER <b>L</b>	REV. <b>L</b>
APPROVED: DATE:	SCALE:	DATE: 31-JAN-91	SHEET 2 OF 7	

REV A