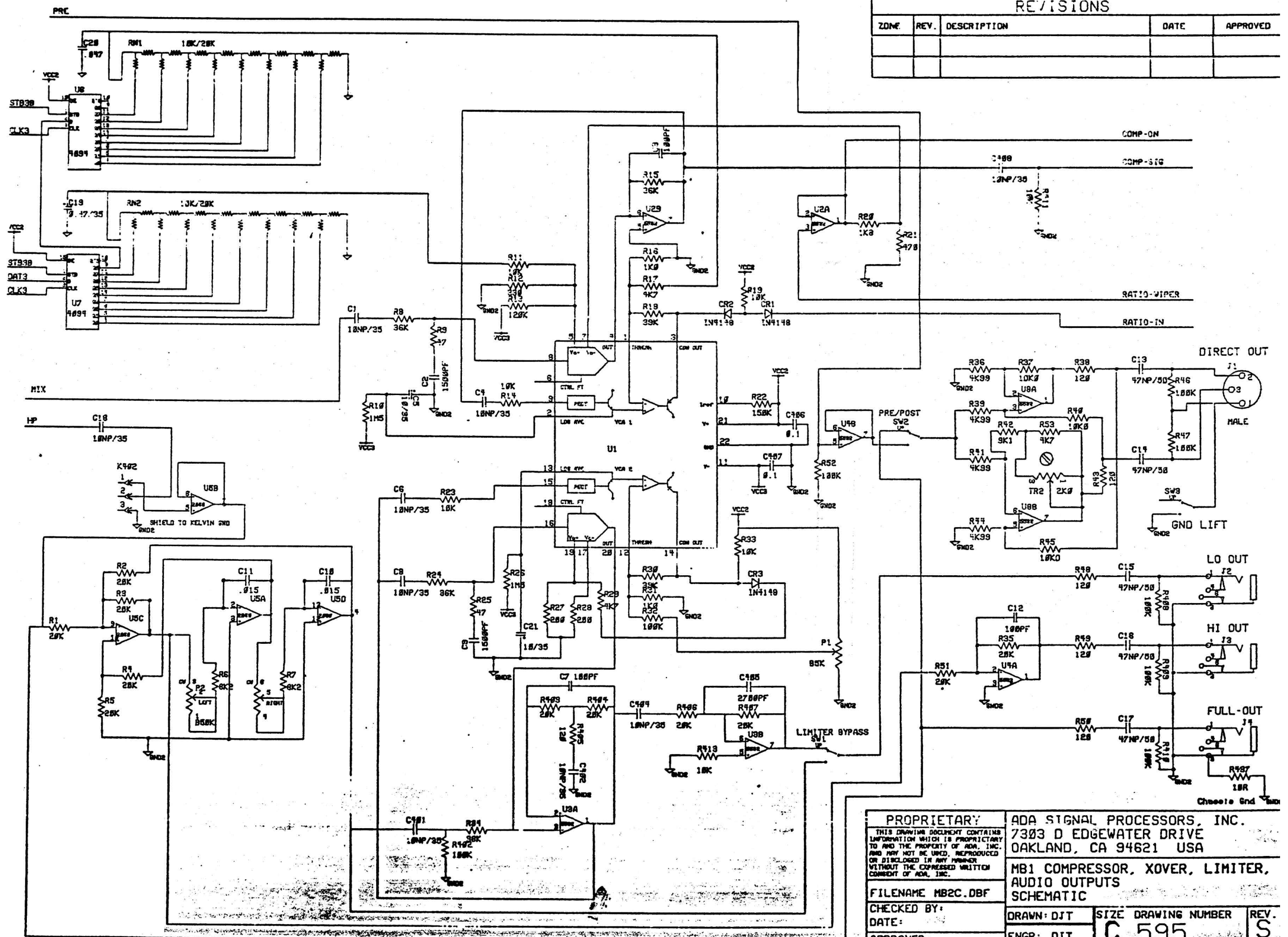


REVISIONS

ZONE	REV.	DESCRIPTION	DATE	APPROVED



**PROPRIETARY**  
 THIS DRAWING DOCUMENT CONTAINS INFORMATION WHICH IS PROPRIETARY TO AND THE PROPERTY OF ADA, INC. AND MAY NOT BE USED, REPRODUCED OR DISCLOSED IN ANY MANNER WITHOUT THE EXPRESSED WRITTEN CONSENT OF ADA, INC.

ADA SIGNAL PROCESSORS, INC.  
 7303 D EDGEWATER DRIVE  
 OAKLAND, CA 94621 USA

FILENAME MB2C.DBF  
 CHECKED BY: \_\_\_\_\_  
 DATE: \_\_\_\_\_  
 APPROVED: \_\_\_\_\_  
 DATE: \_\_\_\_\_

MB1 COMPRESSOR, XOVER, LIMITER, AUDIO OUTPUTS SCHEMATIC

DRAWN: DJT  
 ENGR: DJT  
 SCALE: \_\_\_\_\_

SIZE DRAWING NUMBER  
**C 595**

REV. **S**  
 DATE: 31-JAN-91 SHEET 3 OF 7