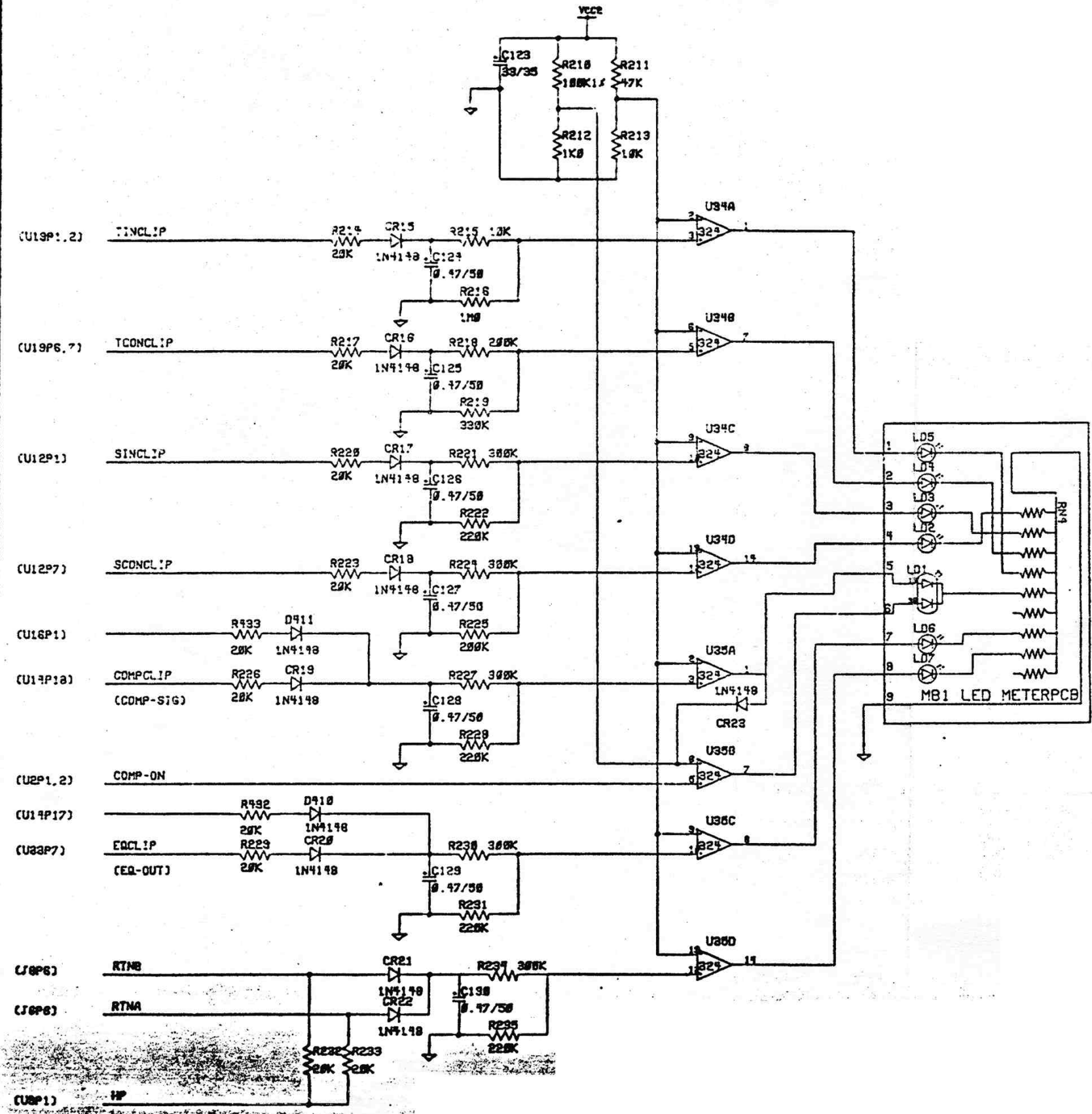


REVISIONS

ZONE	REV.	DESCRIPTION	DATE	APPROVED



<b>PROPRIETARY</b>		ADA SIGNAL PROCESSORS, INC. 7303 D EDGEWATER DRIVE OAKLAND, CA 94621 USA		
THIS DRAWING DOCUMENT CONTAINS INFORMATION WHICH IS PROPRIETARY TO AND THE PROPERTY OF ADA, INC. AND MAY NOT BE USED, REPRODUCED OR DISCLOSED IN ANY MANNER WITHOUT THE EXPRESSED WRITTEN CONSENT OF ADA, INC.		MB1 LED METER, 7 LEDS		
FILENAME MB2H.DBF				
CHECKED BY:	DATE:	DRAWN: DJT	SIZE DRAWING NUMBER	REV.
APPROVED:	DATE:	ENGR: DJT	C-606	G
SCALE: 1:1		DATE: 31-JAN-91 SHEET 6 OF 6		