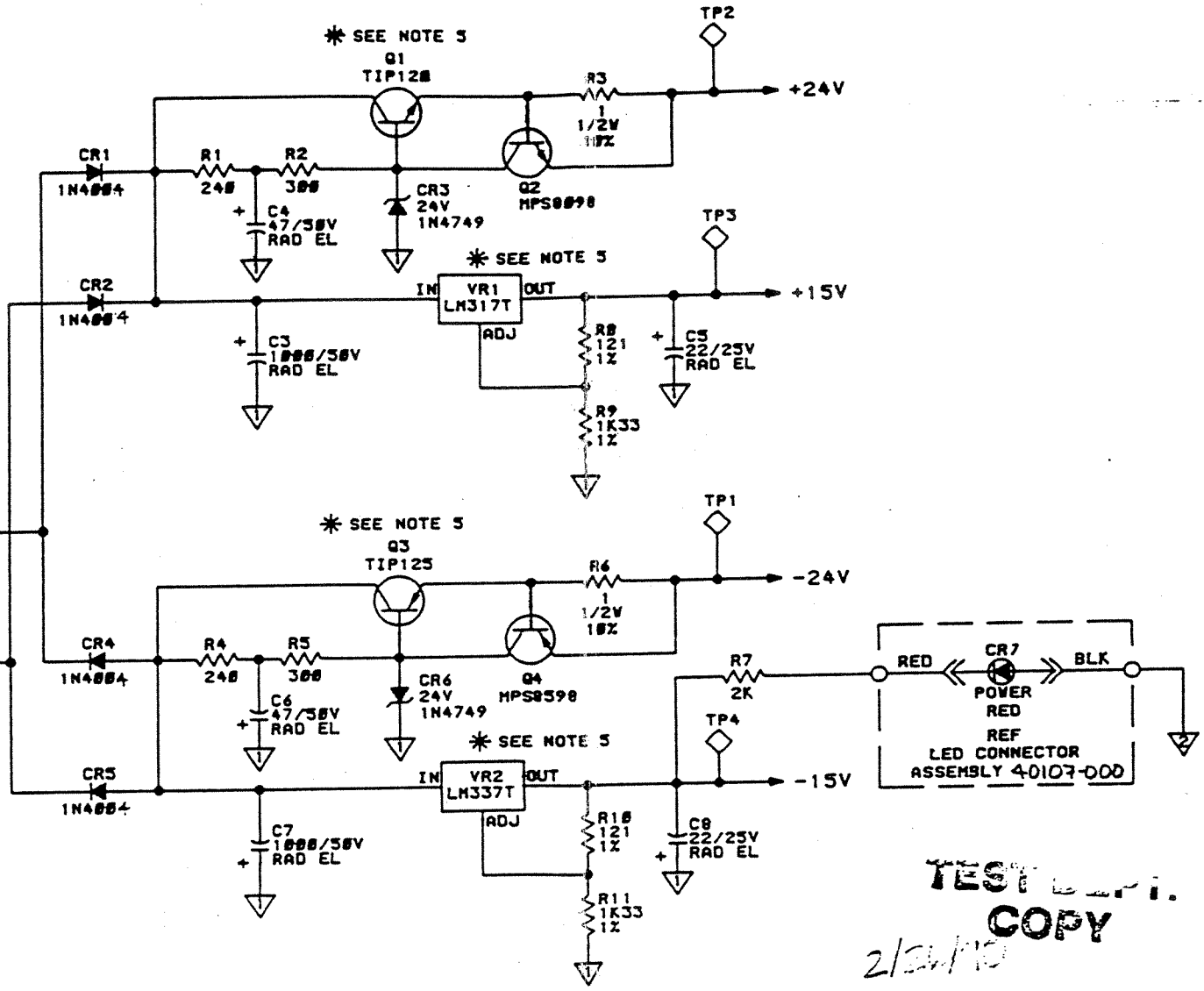


! COMPONENTS MARKED WITH THIS SYMBOL HAVE CRITICAL SPECIFICATIONS IMPORTANT FOR PROTECTION FROM FIRE AND ELECTRICAL SHOCK HAZARDS. WHEN SERVICING, IT IS ESSENTIAL THAT ONLY MANUFACTURER'S SPECIFIED PARTS BE USED FOR REPLACEMENT. PRIOR TO THE RETURN OF THIS APPLIANCE TO THE CUSTOMER, AND UPON COMPLETION OF SERVICING, SERVICE PERSONNEL ARE REQUIRED TO TEST THIS UNIT FOR ADEQUATE INSULATION RESISTANCE BETWEEN THE POWER SUPPLY AND EXPOSED PARTS.



TEST DEPT.
COPY
2/24/70

FS900 USED ON

P4	
J6	
Y1	
TP5	
Q4	
VR2	
CR7	
C8	
R11	
LAST USED	NOT USED
REFERENCE DESIGNATIONS	

- NOTES:
- UNLESS OTHERWISE SPECIFIED, ALL RESISTORS ARE EXPRESSED IN OHMS AND ARE 1/4W, 5%.
 - ALL CAPACITORS ARE EXPRESSED IN MICROFARADS.
 - ALL CERAMIC DISC CAPACITORS ARE +/-20%.
 - ALL RADIAL ELECTROLYTIC CAPACITORS ARE +/-20%.
 - * DENOTES HEATSINK TO CHASSIS.
 - POWER SWITCH IS SHOWN IN THE "OUT" POSITION.

REV	DESCRIPTION	DR	APP	DATE
01	DLO395 AKG REDO	JE	JL	2-90

REVISIONS			
THESE DRAWINGS AND SPECIFICATIONS ARE THE PROPERTY OF AKG AND SHALL NOT BE REPRODUCED, COPIED OR USED AS THE BASIS FOR MANUFACTURE OR SALE OF APPARATUS WITHOUT EXPRESSLY WRITTEN AUTHORIZATION.			

APPROVAL			
PRELIM	DATE	FINAL	DATE
DRAWN	9/6/80		
CHECKED	10/1/80	CHECKED	2/1/81
PROJ ENG	10/13/80	PROJ ENG	
CH ENG	10/14/80	CH ENG	5/6/80
DFT MGR	1/10/81	RELEASED	4/10/81

AKG
ACOUSTICS

SCHMATIC
CONNECTOR AND
POWER SUPPLY BOARD

SCALE: NONE	SIZE: B	NUMBER: 61118-000	REV: 01
SHEET 1 OF 1			