

# ALESIS RA500 (G6) Service Manual

P/N: 8-31-0099-A

## **ATTENTION!**

THIS DOCUMENT CONTAINS SENSITIVE PROPRIETARY INFORMATION. ALL RECIPIENTS MUST HAVE A CURRENT NON-DISCLOSURE AGREEMENT ON FILE WITH ALESIS DISTRIBUTION, LLC.

**DO NOT DISTRIBUTE THIS DOCUMENT IN ELECTRONIC FORM**

The information in this document contains privileged and confidential information. It is intended only for the use of those authorized by Alesis. If you are not the authorized, intended recipient, you are hereby notified that any review, dissemination, distribution or duplication of this document is strictly prohibited. If you are not authorized, please contact Alesis and destroy all copies of this document. You may contact Alesis at [support@Alesis.com](mailto:support@Alesis.com).

## **Preface**

This document is intended to assist the service technician in the operation, maintenance and repair of the Alesis device. Together with the User Reference Manual, this document provides a complete description of the functionality and serviceability of the Device. Any comments or suggestions you may have pertaining to the document are welcome and encouraged.

### **READ THIS!**

In addition to any purchase price that Alesis may charge as consideration for Alesis selling or otherwise transferring this service manual ("Manual") to you, if you are not a service and repair facility ("Service Center") authorized by Alesis in writing to be an authorized Service Center, Alesis sells or transfers the Manual to you on the following terms and conditions:

Only Service Centers authorized by Alesis in writing are authorized to perform service and repairs covered by an Alesis warranty (if any), and transfer of the Manual to you does not authorize you to be an authorized Service Center. Therefore, if you perform, or if the Manual is used to perform, any service or repairs on any Alesis product or part thereof, any and all warranties of Alesis as to that product and any service contract with Alesis for that product shall be voided and shall no longer apply for such product, even if your services or repairs were done in accordance with the Manual.

All service or repairs done by you or with reference to the Manual shall be solely your responsibility, and Alesis shall have no liability for any such repairs or service work. All such service or repairs are performed at the sole risk of the person performing the service or repairs. You agree that all such work will be performed in a competent, professional and safe manner at all times and to indemnify and fully hold Alesis and its successors and assigns harmless in the event of any failure to so perform.

Your purchase of the Manual shall be for your own ultimate use and shall not be for purposes of resale or other transfer.

As the owner of the copyright to the Manual, Alesis does not give you the right to copy the Manual, and you agree not to copy the Manual without the written authorization of Alesis. Alesis has no obligation to provide to you any correction of, or supplement to, the Manual, or any new or superseding version thereof.

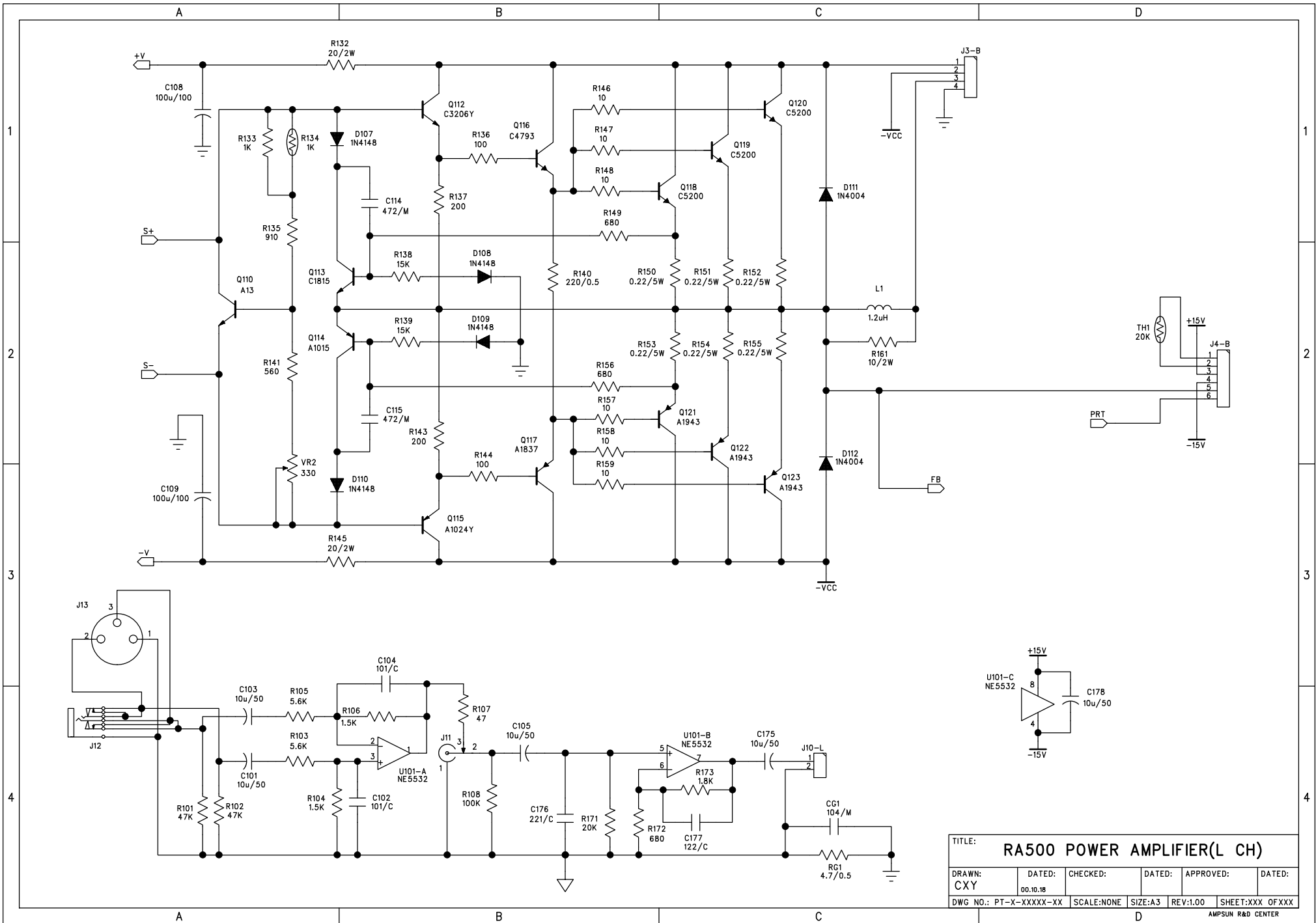
Alesis shall have the right to refuse to sell or otherwise transfer repair parts or materials to you in its sole discretion. You shall not use, sell or otherwise transfer spare or replacement parts supplied by Alesis to you (i) to repair or be used in products manufactured for or by third parties or (ii) to any third parties for any purpose.

You shall not make any warranties or guarantees with respect to the products of Alesis or the use thereof on behalf of Alesis or in your own name.

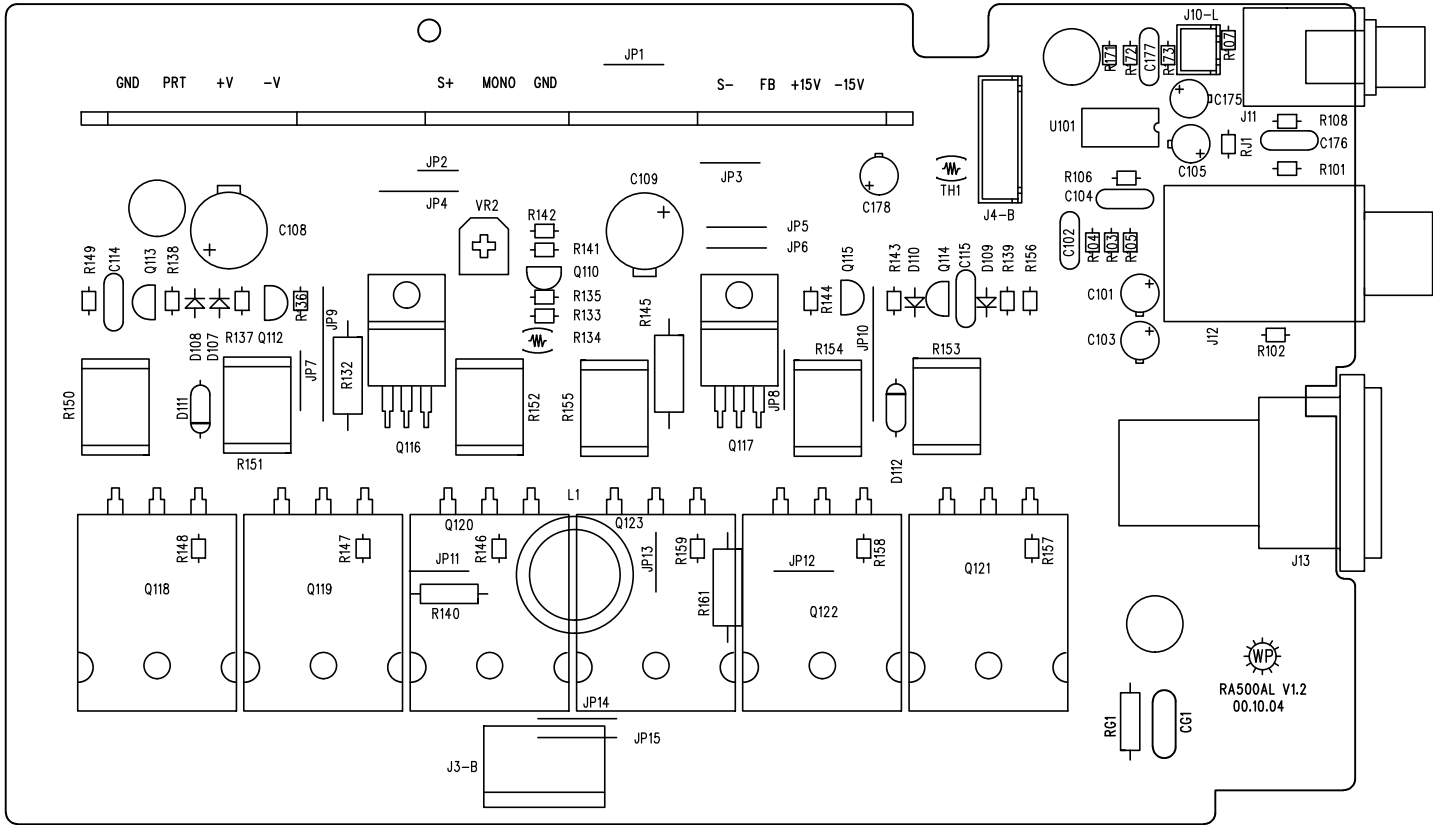
The foregoing describes the entire understanding related to sale or transfer of the Manual to you, and no other terms shall apply unless in a writing signed by an authorized representative of Alesis.

All Trademarks are property of their respective companies.

**RA500 (G6)  
SCHEMATIC  
AND  
PCB  
FILES**

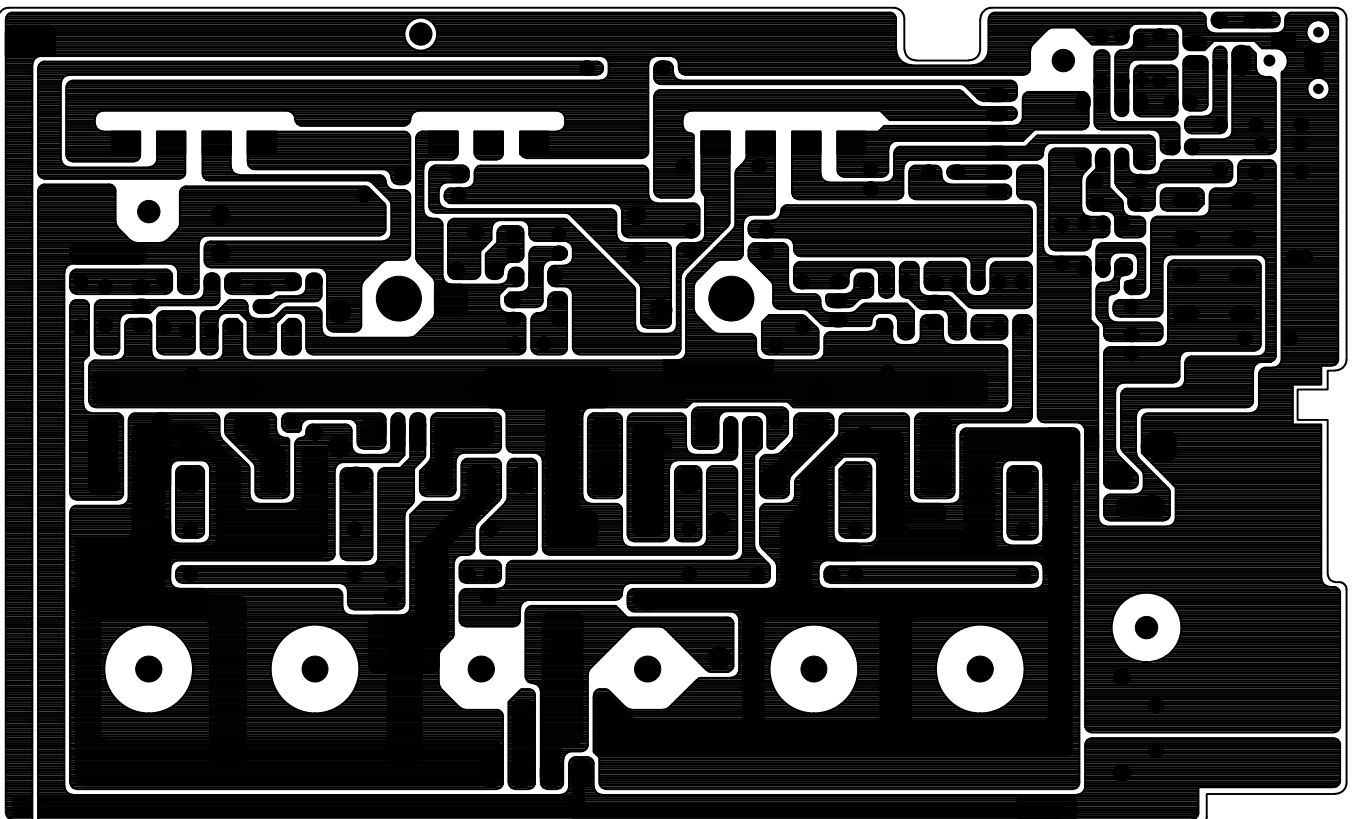


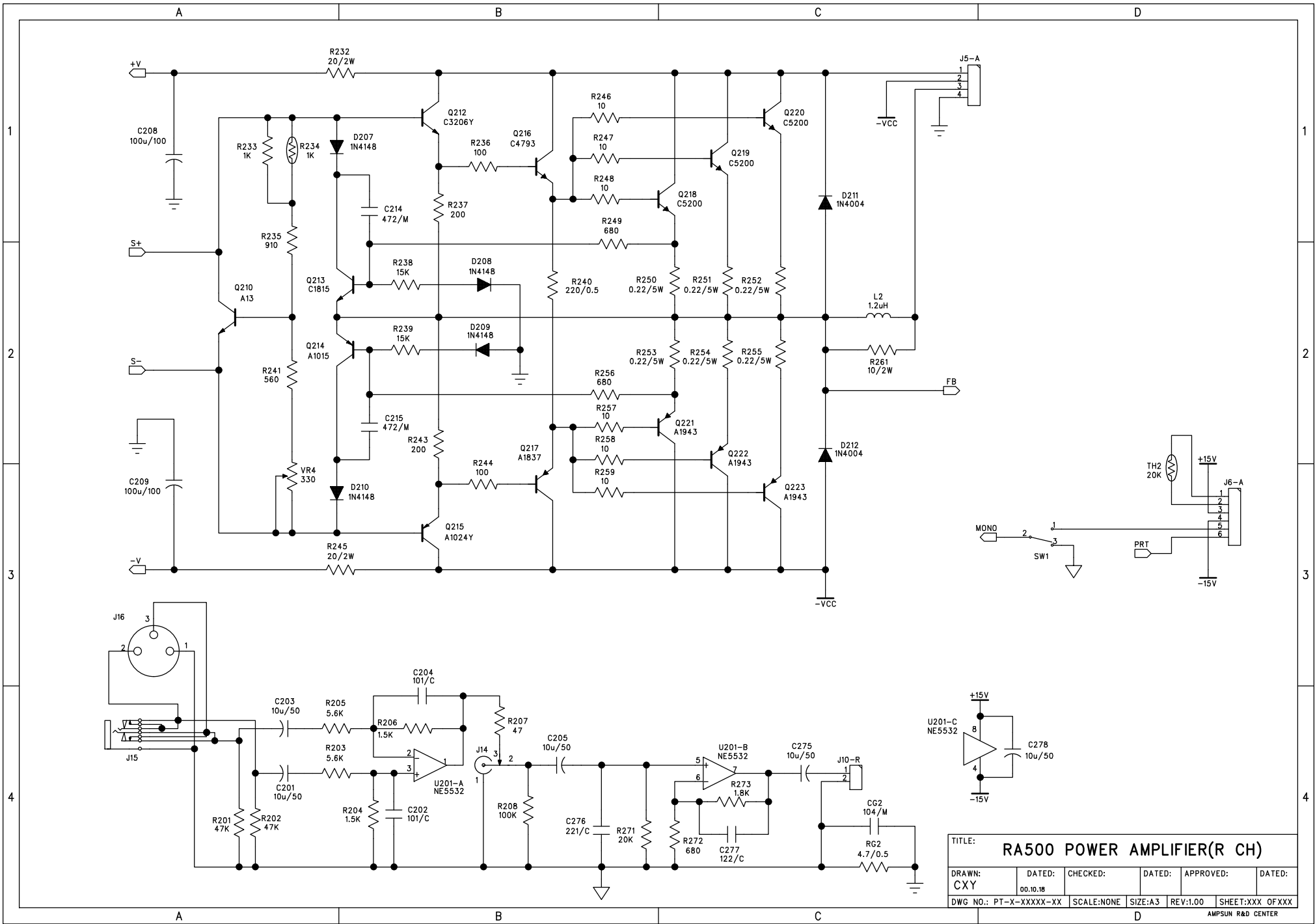
TITLE: RA500 POWER AMPLIFIER(L CH)					
DRAWN: CXY	DATED: 00.10.18	CHECKED:	DATED:	APPROVED:	DATED:
DWG NO.: PT-X-XXXX-XX	SCALE:NONE	SIZE:A3	REV:1.00	SHEET:XXX OFXXX	
AMPSUN R&D CENTER					



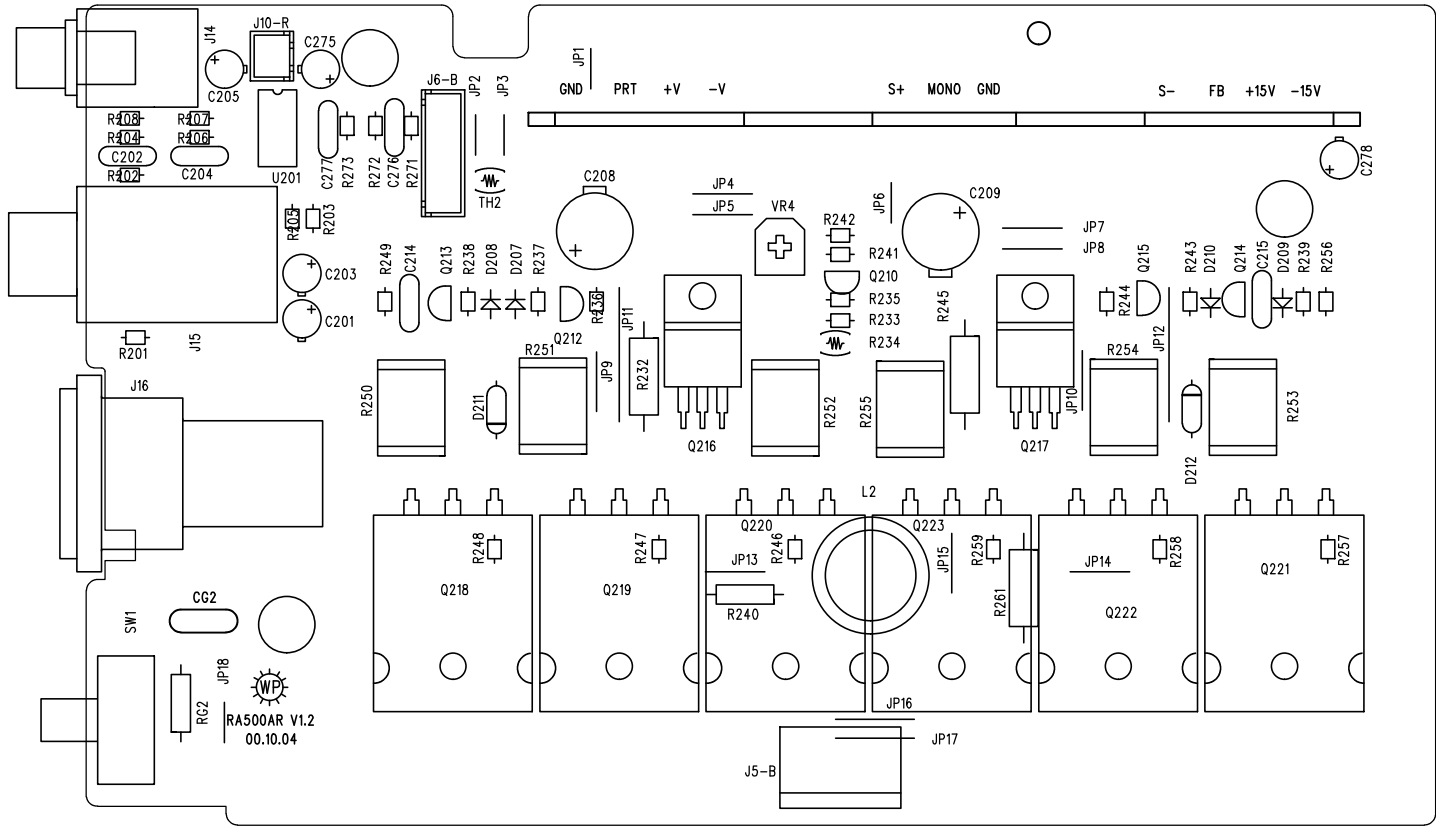
HOMNI ENTERPRISES CO.,LTD  
RA500AL V1.1 00.10.04  
SILKSCREEN TOP SIDE

W.P.  
RA500AL V1.2  
00.10.04



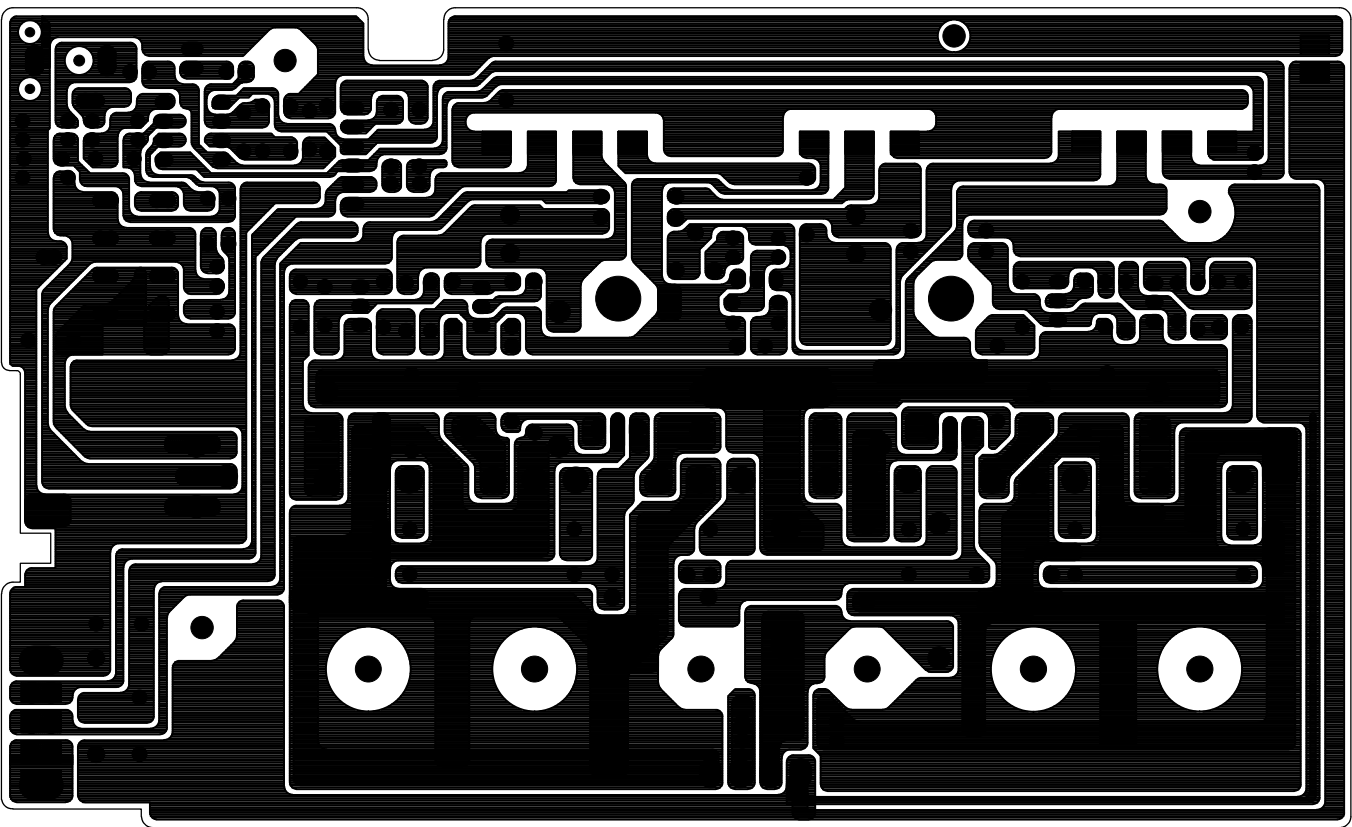


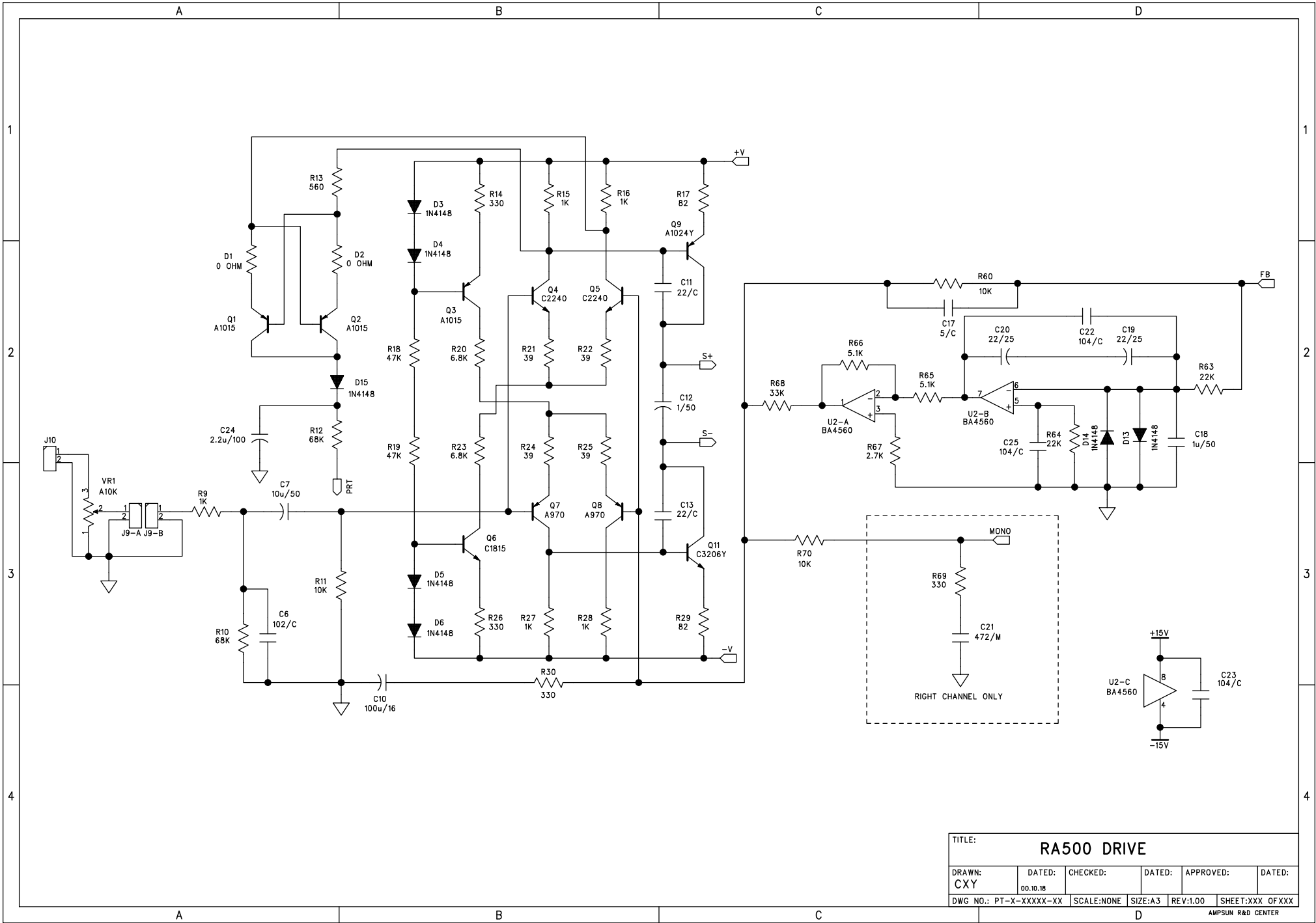
TITLE: RA500 POWER AMPLIFIER(R CH)					
DRAWN: CXY	DATED: 00.10.18	CHECKED:	DATED:	APPROVED:	DATED:
DWG NO.: PT-X-XXXXX-XX	SCALE: NONE	SIZE: A3	REV: 1.00	SHEET: XXX OF XXX	
AMPSUN R&D CENTER					



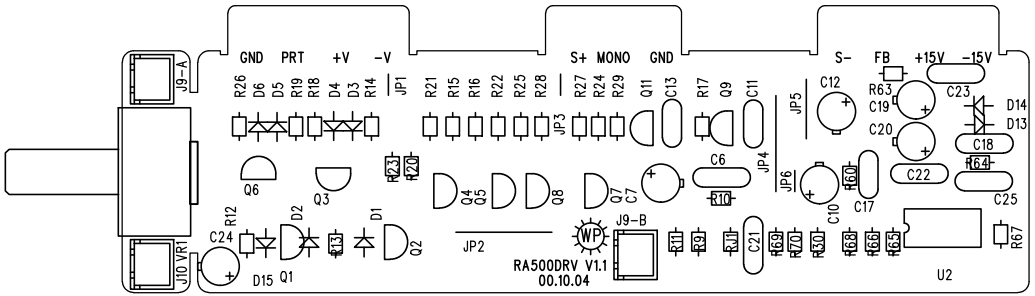
HOMNI ENTERPRISES CO.,LTD  
RA5000AR V1.1 00.10.04  
SILKSCREEN TOP SIDE



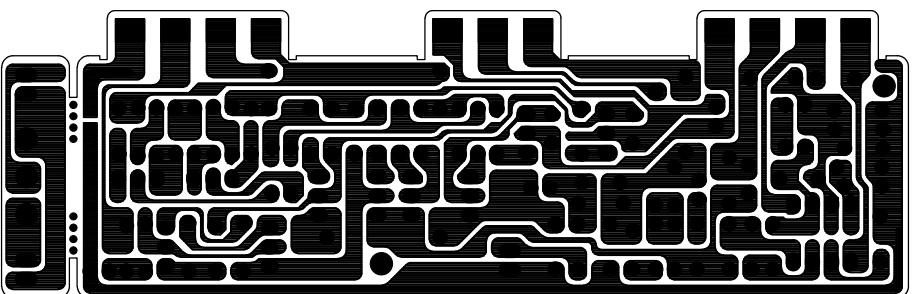


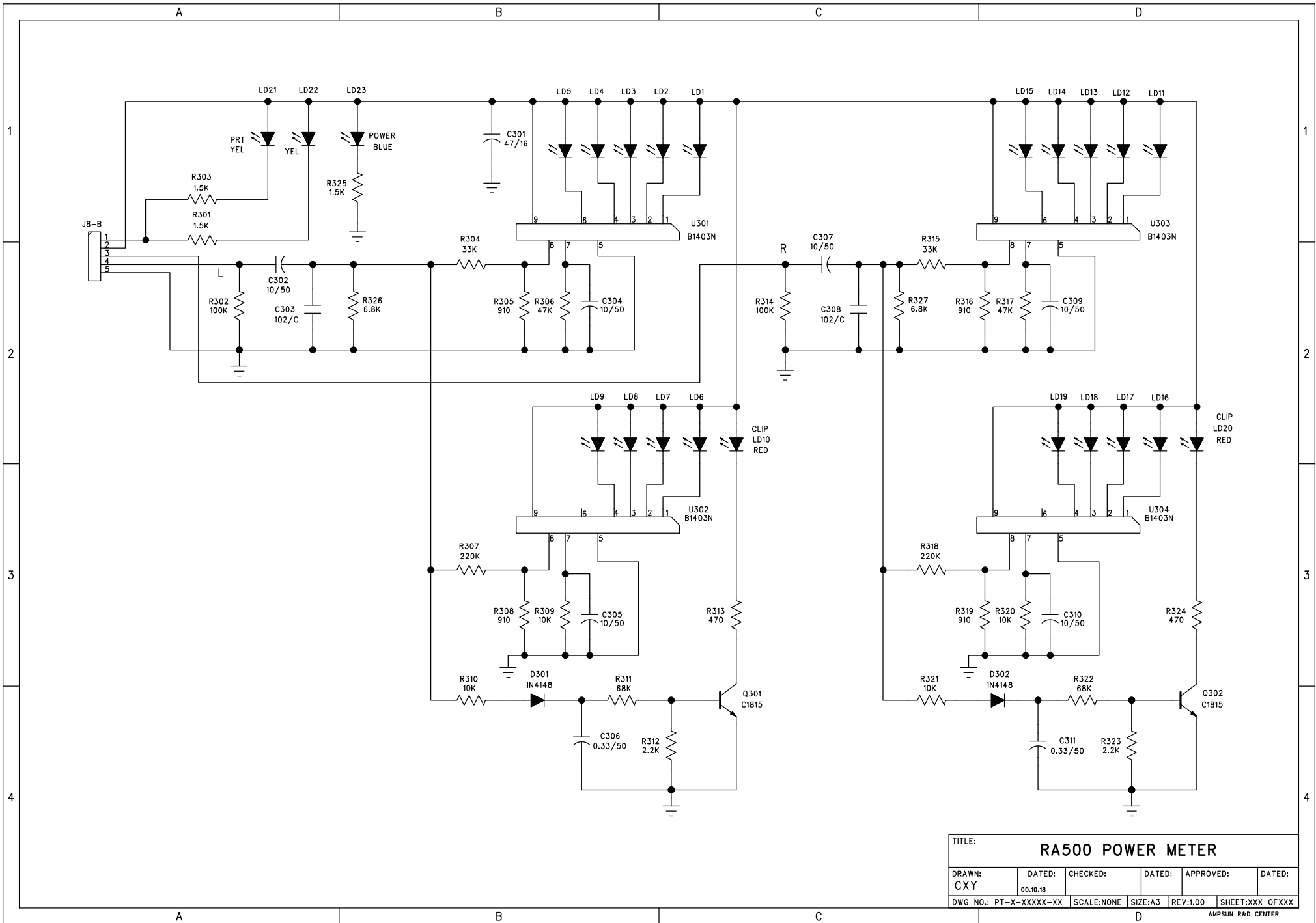


TITLE: RA500 DRIVE					
DRAWN: CXY	DATED: 00.10.18	CHECKED:	DATED:	APPROVED:	DATED:
DWG NO.: PT-X-XXXX-XX	SCALE: NONE	SIZE: A3	REV: 1.00	SHEET: XXX OF XXX	

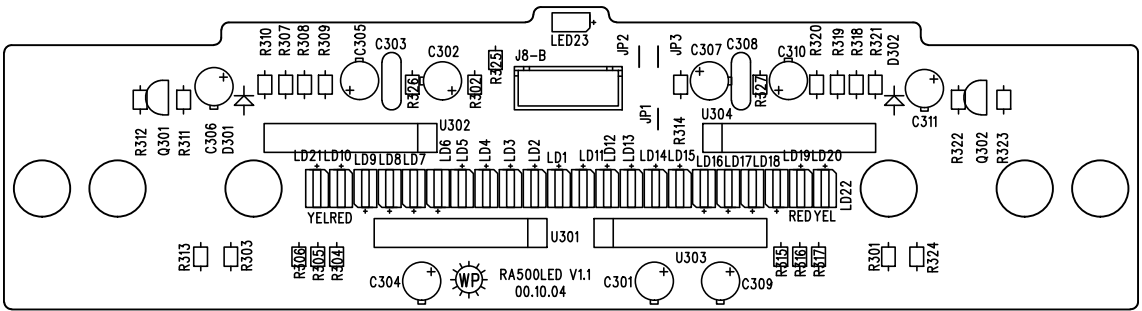


HOMNI ENTERPRISES CO.,LTD  
 RA500DRV V1.1 00.10.04  
 SILKSCREEN TOP SIDE

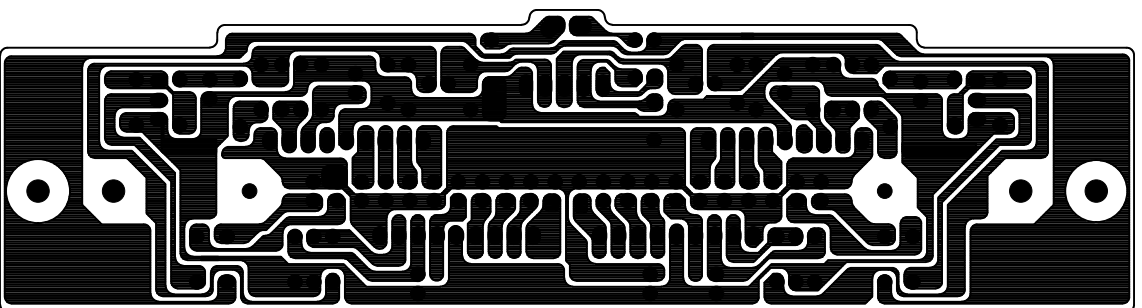


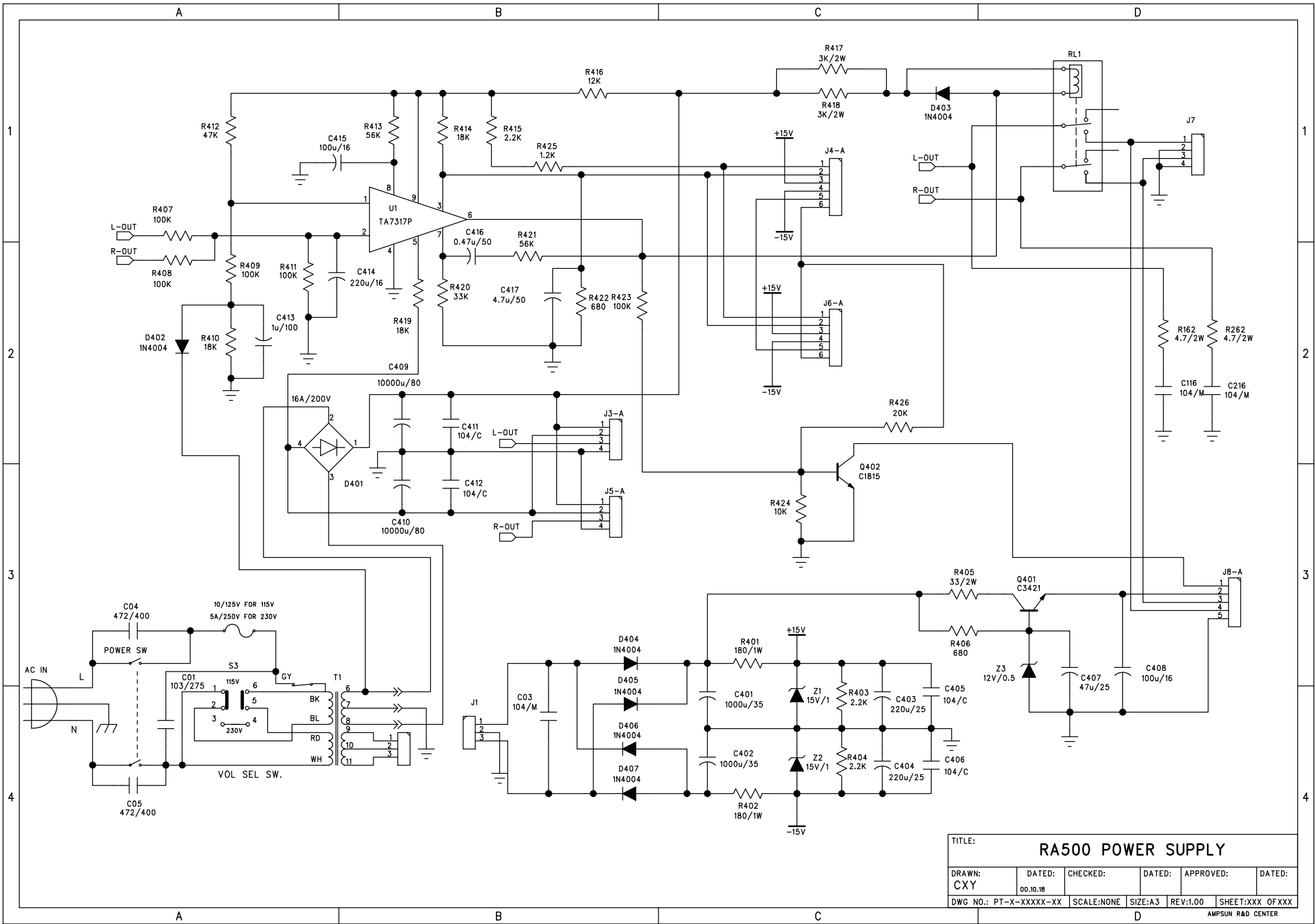


TITLE: RA500 POWER METER					
DRAWN: CXY	DATED: 00.10.18	CHECKED:	DATED:	APPROVED:	DATED:
DWG NO.: PT-X-XXXX-XX	SCALE:NONE	SIZE:A3	REV:1.00	SHEET:XXX OFXXX	
AMPSUN R&D CENTER					



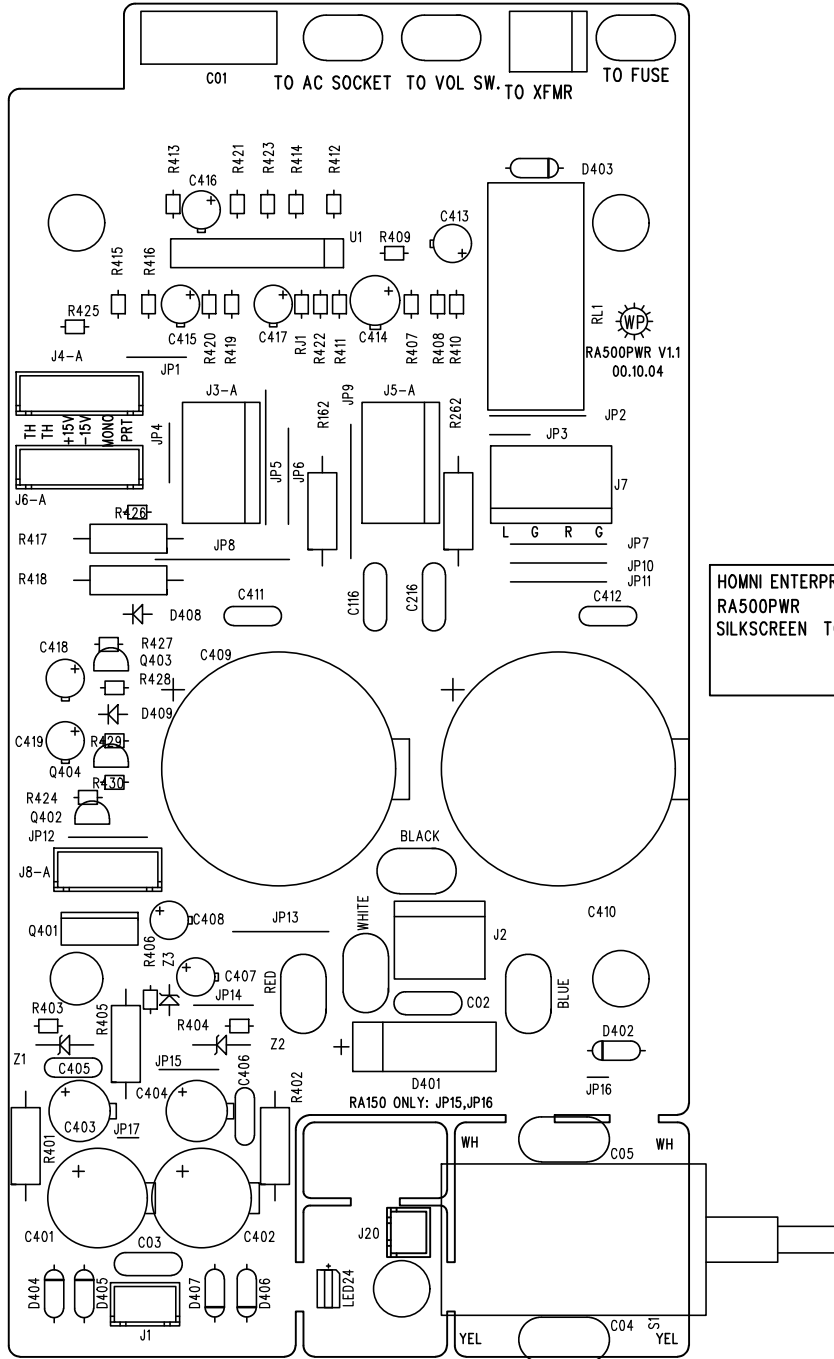
HOMNI ENTERPRISES CO.,LTD  
 RA500LED V.1.1 00.10.04  
 SILKSCREEN TOP SIDE



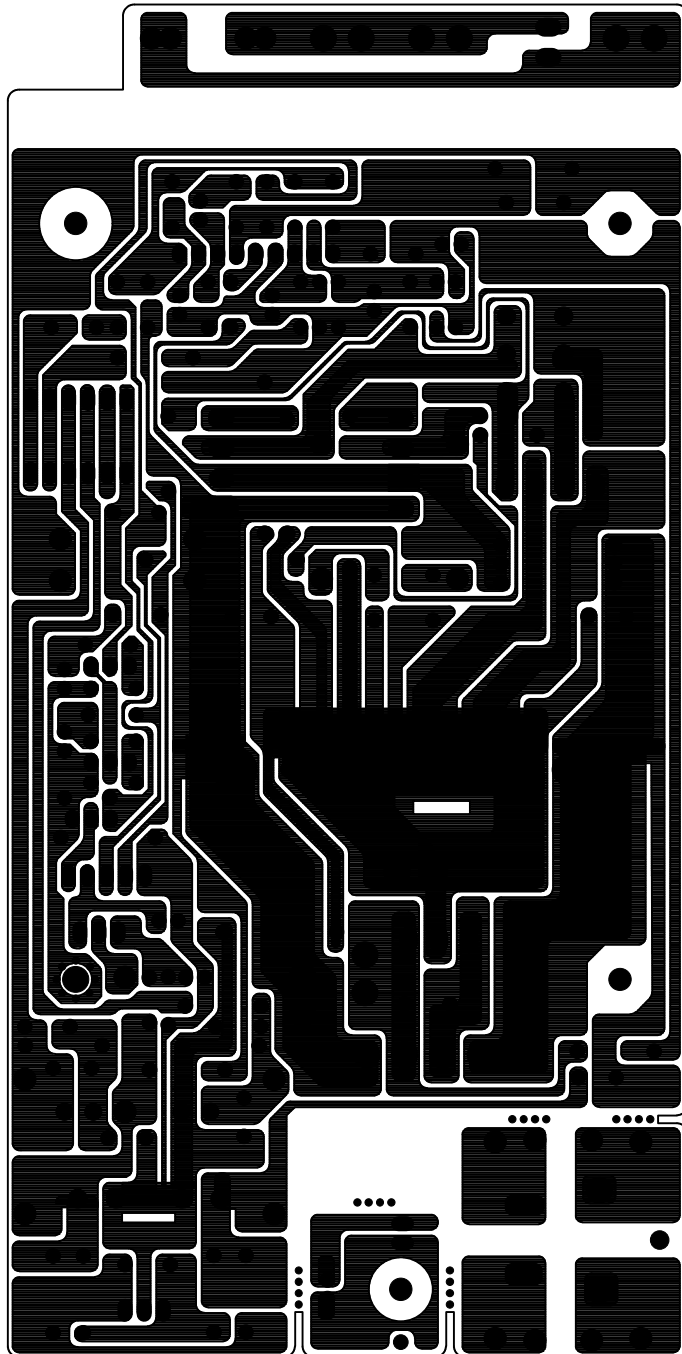


TITLE: RA500 POWER SUPPLY					
DRAWN: CXY	DATED: 00.10.18	CHECKED:	DATED:	APPROVED:	DATED:
DWG NO.: PT-X-XXXX-XX	SCALE: NONE	SIZE: A3	REV: 1.00	SHEET: XXX OF XXX	





HOMNI ENTERPRISES CO.,LTD  
 RA500PWR V1.1 00.10.04  
 SILKSCREEN TOP SIDE



# RA500 (G6) BOM

# BOM

BOM							
					PE-QT-016-A		
?	PRODUCT		HOME AMP		MODEL	RA500(2*250W)AMP BOARD PARTS(R CHANNEL)	PAGE
?	NO.	PART NO.		MATERIAL		SPECIFICATION	QTY
?	1	CB0118101002		PCB		RA500AR,V1.2,178.5*108.5mm,20Z??	1
	2	JP1080750000		JUMPER		F0.8*7.5mm	5
	3	JP1081000000		JUMPER		F0.8*10mm	9
	4	JP1081250000		JUMPER		F0.8*12.5mm	2
	5	JP1081500000		JUMPER		F0.8*20mm	2
	6	RR0101000210		C/R		1/8W,10 ohm,+/-5%	6
	7	RR0104700210		C/R		1/8W,47 ohm,+/-5%	1
	8	RR0110000210		C/R		1/8W,100 ohm,+/-5%	2
	9	RR0120000210		C/R		1/8W,200 ohm,+/-5%	2
	10	RR0156000210		C/R		1/8W,560 ohm,+/-5%	1
	11	RR0168000210		C/R		1/8W,680 ohm,+/-5%	2
	12	RR0191000210		C/R		1/8W,910 ohm,+/-5%	1
	13	RR0110010210		C/R		1/8W,1K ohm,+/-5%	1
	14	RR0115010210		C/R		1/8W,1.5K ohm,+/-5%	2
	15	RR0156010210		C/R		1/8W,5.6K ohm,+/-5%	2
?	16	RR0115020210		C/R		1/8W,15K ohm,+/-5%	2
	17	RR0120020210		C/R		1/8W,20K ohm,+/-5%	1
	18	RR0147020210		C/R		1/8W,47K ohm,+/-5%	2
	19	RR0110030210		C/R		1/8W,100K ohm,+/-5%	1
	20	RR0122000410		C/R		1/2W,220 ohm,+/-5%	1
	21	RR0468000210		M/R		1/8W,680 ohm,+/-1%	1
	22	RR0418010210		M/R		1/8W,1.8K ohm,+/-1%	1
	23	RR0300470410		MO/R		1/2W,4.7 ohm,+/-5%	1
	24	RR0301000620		MO/R		2W,10 ohm,+/-5%	1
	25	RR0302000620		MO/R		2W,20 ohm,+/-5%	2
	26	RR0700022842		CEMENT RES		5W,0.22 ohm,+/-5%,??,13*9*25mm	6
	27	RR0810010000		THERMAL RES		1K ohm,+/-5%,?????	1
	28	RR0820020001		THERMAL RES		20K ohm,+/-5%,?????,??????	1
	29	CC1100005110		C/C		101/50V,+/-5%,NPO	2
	30	CC1220005110		C/C		221/50V,+/-5%,NPO	1
	31	CC1120105520		C/C		122/50V,+/-10%,Y5P	1

?	32	CC2100309010		M/C		104/100V,+/-5%	1
?	33	CC2470109010		M/C		472/100V,+/-5%	2
	34	EC1100505120		E/C		10UF/50V,+/-20%,85?,F5*12mm	5
	35	EC1100609120		E/C		100UF/100V,+/-20%,85?,F10*20mm	2
	36	IC0710553200		IC		NE5532P,DIP8	1
	37	DI0100414800		DIODE		1N4148,75V,200mA,1/2W	4
	38	DI0100400400		TR		1N4004,400V,1A	2
	39	TR0103018150		TR		2SC1815GR,150mA,50V,400mW,NPN	1
?	40	TR0204010150		TR		2SA1015GR,150mA,50V,400mW,PNP	1
	41	TR0116032060		TR		C3206Y,KEC	1
	42	TR0215010240		TR		A1024Y,KEC	1
	43	TR0101000130		TR		MPSA13,500mA,30V,625mV,NPN,DARLINGTON	1
	44	TR0103047930		TR		2SC4793,NPN	1
	45	TR0204018370		TR		2SA1837,PNP	1
	46	TR0103052000		TR		2SC5200,15A,230V,150W,NPN	3
	47	TR0204019430		TR		2SA1943,15A,230V,150W,PNP	3
?	48	LN3151000100		NARROW CHOLE		ERECT,1.2UH,??=1.5mm,????=15mm	1
?	49	VR5033100200		TRIM VR		331B,F-637V-TR	1
	50	RA1032010000		RCA JACK		AV-8.4-3,3PIN ,RED,GILD	1
	51	JA0800000000		6.35 SOCKET		CK3-6.35-02B,GILD,WITH PLASTIC NUT	1
	52	JA0703200000		XLR JACK		900C ANGLE,94M-007P1	1
?	53	JA0102110000		2P SOCKET		2532-02-180 DEGREE,P=2.54mm	1
	54	SW0202204000		SWITCH		SK-22F03-G04,L=4mm(COMAX)	1
	55	AL5803500410		4PIN PLUG WIRE		18#,4P,P=4.0,L=350mm, WITH 8639 PLUG	1
?	56	AL5203500620		6PIN PLUG WIRE		22#,6P,P=2.54,L=350mm	1

# BOM

?	PRODUCT	HOME AMP	MODEL	RA500(2*250W)AMP DRIVER BOARD PARTS(L CHANNEL)	PAGE
?	NO.	PART NO.	MATERIAL	SPECIFICATION	QTY
?	1	CB0818101000	PCB	RA500DRV,V1.1(120*38mm),2OZ??	1
	2	JP1080500000	JUMPR	F0.8*5mm	3
	3	JP1081000000	JUMPR	F0.8*10mm	1
	4	JP1081500000	JUMPR	F0.8*15mm	1
	5	RR0433000210	M/R	1/8W,330 ohm,+/-1%	1
	6	RR0410020210	M/R	1/8W,10K ohm,+/-1%	2
	7	RR0100000210	C/R	1/8W,0 ohm,+/-5%	3
	8	RR0103900210	C/R	1/8W,39 ohm,+/-5%	4
	9	RR0108200210	C/R	1/8W,82 ohm,+/-5%	2
	10	RR0133000210	C/R	1/8W,330 ohm,+/-5%	2
	11	RR0156000210	C/R	1/8W,560 ohm,+/-5%	1
	12	RR0110010210	C/R	1/8W,1K ohm,+/-5%	5
	13	RR0127010210	C/R	1/8W,2.7K ohm,+/-5%	1
	14	RR0151010210	C/R	1/8W,5.1K ohm,+/-5%	2
	15	RR0168010210	C/R	1/8W,6.8K ohm,+/-5%	2
?	16	RR0110020210	C/R	1/8W,10K ohm,+/-5%	1
	17	RR0122020210	C/R	1/8W,22K ohm,+/-5%	1
	18	RR0133020210	C/R	1/8W,33K ohm,+/-5%	1
	19	RR0147020210	C/R	1/8W,47K ohm,+/-5%	2
	20	RR0168020210	C/R	1/8W,68K ohm,+/-5%	2
	21	CC1005005110	C/C	5PF/50V,+/-5%,NPO	1
	22	CC1022009110	C/C	22PF/100V,+/-5%,NPO	2
	23	CC1100105520	C/C	102/50V,+/-10%,Y5P	1
	24	CC1100305250	C/C	104/50V,+80/-20%,Y5V	3
	25	EC4100405120	NON-POLARITY E/C	1UF/50V,+/-20%,85?,F4*7mm	1
	26	EC1100405120	E/C	1UF/50V,+/-20%,85?,F5*12mm	1
	27	EC1220409120	E/C	2.2UF/100V,+/-20%,85?,F5*12mm	1
	28	EC1100505120	E/C	10UF/50V,+/-20%,85?,F5*12mm	1
	29	EC1220503120	E/C	22UF/25V,+/-20%,85?,F5*12mm	2
	30	EC3100602120	LOW-LEAKAGE E/C	100UF/16V,+/-20%,85?,F6.3*11mm	1
	31	IC0110456000	IC	BA4560,DIP8	1

	32	DI0100414800		DIODE	1N4148,75V,200mA,1/2W	7
?	33	TR0103018150		TR	2SC1815GR,150mA,50V,400mW,NPN	1
?	31	TR0204010150		TR	2SA1015GR,150mA,50V,400mW,PNP	3
	32	TR0103022400		TR	2SC2240,100mA,120V,400mW,NPN	2
?	33	TR0204009700		TR	2SA970,100mA,120V,400mW,PNP	2
	34	TR0215010240		TR	A1024Y,KEC	1
?	35	TR0116032060		TR	C3206Y,KEC	1
?	36	JA0102110000		2P SOCKET	2532-02-180?,P=2.54mm	1
	37	AL3501800220		2P SHIELD CABLE	2P,P=2.54mm,L=180mm	1
?	38	AL3502200220		2P SHIELD CABLE	2P,P=2.54mm,L=220mm	1
	39	VR1210307200		VR	F10K,RV16A-20-F14(ALPHA),L=20mm	1

## BOM

?	PRODUCT	HOME AMP	MODEL	RA500(2*250W)AMP DRIVER BOARD PARTS(R CHANNEL)	??
?	??	??	????	<b>SPECIFICATION</b>	<b>Q</b>
?	1	CB0818101000	PCB	RA500DRV,V1.1(120*38mm),2OZ	1
	2	JP1080500000	JUMPER	F0.8*5mm	2
	3	JP1081000000	JUMPER	F0.8*10mm	1
	4	JP1081500000	JUMPER	F0.8*15mm	2
	5	RR0433000210	M/R	1/8W,330 ohm,+/-1%	2
	6	RR0410020210	M/R	1/8W,10K ohm,+/-1%	2
	7	RR0100000210	C/R	1/8W,0 ohm,+/-5%	3
	8	RR0103900210	C/R	1/8W,39 ohm,+/-5%	4
	9	RR0104700210	C/R	1/8W,82 ohm,+/-5%	2
	10	RR0127000210	C/R	1/8W,330 ohm,+/-5%	2
	11	RR0156000210	C/R	1/8W,560 ohm,+/-5%	1
	12	RR0110010210	C/R	1/8W,1K ohm,+/-5%	5
	13	RR0127010210	C/R	1/8W,2.7K ohm,+/-5%	1
	14	RR0151010210	C/R	1/8W,5.1K ohm,+/-5%	2
	15	RR0168010210	C/R	1/8W,6.8K ohm,+/-5%	2
?	16	RR0110020210	C/R	1/8W,10K ohm,+/-5%	1
	20	RR0122020210	C/R	1/8W,22K ohm,+/-5%	2
	17	RR0133020210	C/R	1/8W,33K ohm,+/-5%	1
	18	RR0147020210	C/R	1/8W,47K ohm,+/-6%	2
	19	RR0168020210	C/R	1/8W,68K ohm,+/-5%	2
	21	CC1005005110	C/R	5PF/50V,+/-5%,NPO	1
	22	CC1022009110	C/C	22PF/100V,+/-5%,NPO	2
	23	CC1100105520	C/C	102/50V,+/-10%,Y5P	1
	24	CC1100305250	C/C	104/50V,+80/-20%,Y5V	3
	25	CC2470109010	M/C	472/100V,+/-5%	1
	26	EC4100405120	NON-POLARITY E/C	1UF/50V,+/-20%,85?,F4*7mm	1
	27	EC1100405120	E/C	1UF/50V,+/-20%,85?,F5*12mm	1
	28	EC1220409120	E/C	2.2UF/100V,+/-20%,85?,F5*12mm	1
	29	EC1100505120	E/C	10UF/50V,+/-20%,85?,F5*12mm	1
	30	EC1220503120	E/C	22UF/25V,+/-20%,85?,F5*12mm	2
	31	EC3100602120	LOW-LEAKAGE E/C	100UF/16V,+/-20%,85?,F6.3*11mm	1



	32	IC0110456000		IC	BA4560,DIP8	1
?	33	DI0100414800		DIODE	1N4148,75V,200mA,1/2W	7
?	34	TR0103018150		TR	2SC1815GR,150mA,50V,400mW,NPN	1
	35	TR0204010150		TR	2SA1015GR,150mA,50V,400mW,PNP	3
?	36	TR0103022400		TR	2SC2240,100mA,120V,400mW,NPN	2
	37	TR0204009700		TR	2SA970,100mA,120V,400mW,PNP	2
	38	TR0215010240		TR	A1024Y,KEC	1
?	39	TR0116032060		TR	C3206Y,KEC	1
?	40	JA0102110000		2P SOCKET	2532-02-180?,P=2.54mm	1
	41	AL3501800220		2P SHIELD WIRE	2P,P=2.54mm,L=180mm	1
?	42	AL3502200220		2P SHIELD WIRE	2P,P=2.54mm,L=220mm	1
	43	VR1210307200		VR	F10K,RV16A-20-F14(ALPHA),L=20mm	1

## BOM

BOM							
?	PRODUCT		HOME AMP		MODEL	RA500(2*250W) AMP POWER BOARD PARTS	PAGE
?	NO.	PART NO.		MATERIAL		SPECIFICATION	QTY
?	1	CB0918101000		PCB		RA500PWR,V1.1 (179*90mm),2OZ??	1
	2	JP1080500000		JUMPER		F0.8*5mm	1
	3	JP1080750000		JUMPER		F0.8*7.5mm	1
	4	JP1081000000		JUMPER		F0.8*10mm	3
	5	JP1081250000		JUMPER		F0.8*12.5mm	1
	6	JP1081500000		JUMPER		F0.8*15mm	6
	7	JP1082000000		JUMPER		F0.8*20mm	3
	8	RR0468000210		M/R		1/8W,680 ohm,+/-1%	1
	9	RR0412010210		M/R		1/8W,1.2K ohm,+/-1%	1
	10	RR0422010210		M/R		1/8W,2.2K ohm,+/-1%	1
	11	RR0100000210		C/R		1/8W,0 ohm,+/-5%	1
	12	RR0168000210		C/R		1/8W,680 ohm,+/-5%	1
	13	RR0122010210		C/R		1/8W,2.2K ohm,+/-5%	2
	14	RR0110020210		C/R		1/8W,10K ohm,+/-5%	1
?	15	RR0112020210		C/R		1/8W,12K ohm,+/-6%	1
	16	RR0118020210		C/R		1/8W,18K ohm,+/-5%	3
	17	RR0120020210		C/R		1/8W,20K ohm,+/-5%	1
	18	RR0133020210		C/R		1/8W,33K ohm,+/-5%	1
	19	RR0147020210		C/R		1/8W,47K ohm,+/-5%	1
	20	RR0156020210		C/R		1/8W,56K ohm,+/-5%	2
	21	RR0110030210		C/R		1/8W,100K ohm,+/-5%	5
	22	RR0303300650		MO/R		2W,33 ohm,+/-5%	1
	23	RR0318000550		MO/R		1W,180 ohm,+/-5%	2
	24	RR0300470620		MO/R		2W,4.7 ohm,+/-5%	2
	25	RR0330010620		MO/R		2W,3K ohm,+/-5%	2
	26	CC1100309250		C/C		104/100V,+80/-20%,Y5V	4
	27	CC2100309010		M/C		104/100V,+/-5%	3
	28	EC1470305120		E/C		0.47UF/50V,+/-20%,85?,F5*12mm	1
?	29	EC1100409120		E/C		1UF/100V,+/-20%,85?,F5*12mm	1
?	31	EC1470405120		E/C		4.7UF/50V,+/-20%,85?,F5*12mm	1
	32	EC1470503120		E/C		47UF/25V,+/-20%,85?,F5*12mm	1

	33	EC1100602120	E/C	100UF/16V,+/-20%,85?,F5*12mm	2
	34	EC1220602120	E/C	220UF/16V,+/-20%,85?,F6.3*12mm	1
	35	EC1220603121	E/C	220UF/25V,+/-20%,85?,F8*12mm	2
	36	EC1680705130	E/C	1000UF/35V,+50/-0%,85?,F13*21mm	2
?	37	EC1100808130	E/C	10000UF/80V,+50/-0%,85?,F30*62mm	2
	38	CC8470115030	APPROVED CAP	472/400V,+/-20%,C/C,(NEED UL AND CE APPROVED)	2
	39	CC8100214020	APPROVED CAP	103/275V,+/-20%,(NEED UL AND CE APPROVED)	1
	40	IC0620731700	IC	TA7317P,SIP9	1
	41	ZD1012010000	ZENER DIODE	12V,1/2W	1
	42	ZD1015020000	ZENER DIODE	1W,15V	2
	44	DI0100400400	DIODE	1N4004,400V,1A	6
	45	LD1012205020	LED	2*5mm	1
	46	TR0103018150	TR	2SC1815GR,150mA,50V,400mW,NPN	1
?	47	TR0103034210	TR	C3421,NPN	1
?	48	JA0102320000	SOCKET	2PIN,PITCH=4mm	1
	49	JA0104320000	SOCKET	4PIN,PITCH=4mm	3
	50	JA0103110000	3P SOCKET	2532-03-180 DEGREE,P=2.54mm	1
	51	JA0105110000	5P SOCKET	2532-05-180 DEGREE,P=2.54mm	1
?	52	JA0106110000	6P SOCKET	2532-06-180 DEGREE,P=2.54mm	2
	53	AL5300400220	2P PLUG WIRE	24#,P=2.54mm,L=40mm	1
	54	SW0900000000	POWER SWITCH	8212-2(CHILY), M3.0*0.5mm SCREW THREAD	1
	55	PD6000000000	SLIP	E665	7
?	56	RE8010012000	RELAY	12V,DW321-D12S,(10A)	1

# BOM

?	PRODUCT		HOME AMP		MODEL	RA500(2*250W) AMP POWER INDICATORPCB PARTS	PAGE
?	NO.	PART NO.		MATERIAL		SPECIFICATION	QTY
?	1	CB1017901000		PCB		RA500LED,V1.1 (125*40mm),2OZ??	1
	2	JP1081500000		JUMPER		F0.8*5mm	3
	3	RR0191000210		C/R		1/8W,910 ohm,+/-5%	4
	4	RR0147000210		C/R		1/8W,470 ohm,+/-5%	2
	5	RR0115010210		C/R		1/8W,1.5K ohm,+/-5%	3
	6	RR0122010210		C/R		1/8W,2.2K ohm,+/-5%	2
	7	RR0168010210		C/R		1/8W,6.8K ohm,+/-5%	2
	8	RR0110020210		C/R		1/8W,10K ohm,+/-5%	4
?	10	RR0133020210		C/R		1/8W,33K ohm,+/-5%	2
	11	RR0147020210		C/R		1/8W,47K ohm,+/-5%	2
	12	RR0168020210		C/R		1/8W,68K ohm,+/-5%	2
	13	RR0110030210		C/R		1/8W,100K ohm,+/-5%	2
	14	RR0122030210		C/R		1/8W,220K ohm,+/-5%	2
	15	CC1100105520		C/C		102/50V,+/-10%	2
	16	EC2330305120		MINI E/C		0.33UF/50V,+/-20%,85?,F5*7mm	2
	17	EC2100505120		MINI E/C		10UF/50V,+/-20%,85?,F5*7mm	6
	18	EC1100806130		MINI E/C		47UF/16V,+/-20%,85?,F5*7mm	1
	19	IC1120140300		IC		LB1403N,SIP9	4
?	20	DI0100414800		DIODE		1N4148,75V,200mA,1/2W	2
?	21	LD0245580100		LED		GREEN,LX7030 5*1mm, 5*2.8mm	18
	22	LD0135580100		LED		RED,LX7030 , 5*1mm, 5*2.8mm	2
?	23	LD0465580100		LED		YELLOW, LX7030 5*1mm,5*2.8mm	2
	24	TR0103018150		TR		2SC1815GR,150mA,50V,400mW,NPN	2
	25	AL5302000520		5P PLUG WIRE		5PIN,P=2.54mm,24#,UL1007,L=200mm	1
?	26	JA0102110000		2P SOCKET		2532-02-180? P=2.54mm	1

# BOM

?	PRODUCT	HOME AMP	MODEL	RA500(2*250W )PROFESSIONAL AMPLIFIER	PAGE
?	NO.	PART NO.	MATERIAL	SPECIFICATION	QTY
?	1	SM1018100000	RA500LED PARTS	2*250W ????????PCB??	1
	2	SM1118100000	RA500PWR PARTS	2*250W ?????????	1
	3	SM1218100000	RA500DRV-L PARTS	2*250W ????????(L CHANNEL)	1
	4	SM1218100001	RA500DRV-R PARTS	2*250W ????????(R CHANNEL)	1
	5	SM0118100000	RA500AL PARTS	2*250W ??????(L CHANNEL)	1
	6	SM0118100001	RA500AR PARTS	2*250W ??????(R CHANNEL)	1
	7	FU2100125001	FUSE	5*20mm,5TT10A125V(5TT)FOR	1
		FU2050125000		115V,GSL5A250V(GST)FOR 230V	
	8	FS2000000002	FUSE HOLDER	FH-B02	1
	10	TT2221423300	EI POWER TRANSFORMER	500W,AC115/230V INPUT,AC48.8V*2 OUTPUT	1
	11	PT2102202800	MICA FILM	22*28mm	12
	12	WL2150120400	GROUND CABLE	L=150mm,18#???,??250??	1
	13	WL4080030440	WIRE	18#,UL1015,L=80mm,??,??250	1
	14	WL4080070440	WIRE	18#,UL1015,L=80mm,??,??250	1
	15	WL4120050570	UL1617 CABLE	L=120mm,20#??,??250????	1
?	16	WL4280050560	UL1618 CABLE	L=280mm,20#??,??250??	1
	17	WL4280100570	UL1619 CABLE	L=280mm,20#??,??250??	1
	18	WL4220050500	UL1617?	L=220mm,20#??,????10mm,??	1
	19	WL4180100560	UL1618?	L=180mm,20#??,??250??	1
	20	WL4280100560	UL1619?	L=280mm,20#??,??250??	1
	22	AL5801800410	4PIN WIRE	L=180mm,18#,UL1015,PITCH=4mm	1
	23	HP1233110000	BINDING POST	A215BK ,GILD	2
	24	SW1100000000	VOLTAGE SELECT SWITCH	HF-308	1
	25	JA0403000002	POWER SOCKET	3PIN,3516-4	1
	26	PT1040015000	THERMAL SLEEVE	F4*15mm, BLACK	8
	27	PT1200040000	THERMAL SLEEVE	F20*40mm, BLACK	1
	28	PT1250040000	THERMAL SLEEVE	F25*40mm, BLACK	1
	29	PT1400040000	THERMAL SLEEVE	F40*40mm,BLK	1
	30	PB0600000000	BUSHING	F2.4*80mm	6
	31	PB0600000001	BUSHING	F2.4*100mm	8
	32	DI0300150200	BRIDGE RECTIFIER	15A/200V,??,?? MP1502	1

# BOM

BOM						
					PE-QT-016-A	
?	PRODUCT		HOME AMP		MODEL RA500(2*250W)????	PAGE
?	NO.	PART NO.		MATERIAL	SPECIFICATION	QTY
?	1	MT0117925800		TOP COVER	?1.50MM????????	1
	2	MT0718125800		BOTTOM COVER	?1.50MM????????	1
	3	MT1018125800		LEFT SIDE PANEL	?1.50MM????????	1
	4	MT1018125801		RIGHT SIDE PANEL	?1.50MM????????	1
	5	PL1617911700		VR SWITCH	ABS SILIVER	2
	6	PM2000000000		PLASTIC FOOT	BLACK PLASTIC,SR-80?	4
	7	PM2005017001		PLASTIC FOOT	F17*5*4mm	4
	8	PM1008008002		FOAT	8*8*3mm,????	1
	9	PL2618040300		LENS	PC???	1
	10	PL2718040100		LED BRACKET	ABS BLACK	1
	11	PL0118140300		PLATE	PA765+ ???	1
	12	PL1717910100		SWITCH BUTTON	ABS ??	1
	13	PL1017911700		??	ABS ???	1
	14	PL1117920501		LED COVER	PC ?????	1
	15	HS0818130100		LEFT HEATSINK	????????????	1
?	16	HS0818130101		RIGHT HEATSINK	????????????	1
	17	PC5403071300		COOPER	??M4*4?+M3*8???	6
	18	PC5403071000		COOPER	??M3*10	4
	19	SC3005206110		SCREW	M3*6????	16
	20	SC3006206110		SCREW	M3*5????	3
	21	SC3008206110		SCREW	M3*6????	7
	22	SC3008206120		SCREW	M3*8????	4
	23	SC3010206110		SCREW	M3*8????	1
	24	SC3014206110		SCREW	M3*12????	12
	25	SC4006206110		SCREW	M3*18????	1
	26	SC4010206110		SCREW	M4*6????	4
	27	SC3006203110		SCREW	M4*10????	16
	28	SC3006208110		SCREW	M3*6????	2
	29	SC4012208150		SCREW	M4*14????	4
	30	SC4014208110		SCREW	M4*12????	4
	31	SC4006212130		SCREW	M4*6????	4

?	32	SC3006102210		SCREW	3*6??????	8
?	27	SC3010102410		SCREW	3*10??????	3
	34	MS2113055250		NUT	M3??	1
	35	MS2133055250		NUT	M3??	1
	36	MS2114070300		NUT	M4??	4
	37	MS1114210100		FLAT CUSHION	OD10*ID4.2*1.0THK BLACK	4
?	38	MS1113210100		FLAT CUSHION	OD10*ID3.2*1.0THK BLACK	13
	39	MS1113208080		FLAT CUSHION	OD8*ID3.2*0.8THK BLACK	4
	40	MS1113206030		FLAT CUSHION	OD6*ID3.2*0.3THK BLACK	3
	41	MS1123210100		STAR CUSHION	OD10*ID3.2*1.0THK ???	1
	42	MS1324210100		STAR CUSHION	OD10*ID4.2*1.0THK ?? ???	4
?	43	PM2090095000		PLASTIC CUSHION	95*90*2mm	1

## BOM

BOM							
?	PRODUCT		HOME AMP		MODEL	RA500(2*250W) PACKAGE	PAGE
?	NO.	PART NO.		MATERIAL		SPECIFICATION	QTY
?		1 PW3112220000		POWER CABLE		3PIN DOUBLE INSULATE UL POWER CABLE 18#,21-00628-02	1
		2 PA1120280300		PE PACK		120*280*0.1mm	1
		3 PA1410700300		PE PACK		410*700*0.1mm	1
		4 PA1240350300		PE PACK		240*350*0.1mm	1
		5 PA1060120100		PE PACK		60*120*0.06mm	1
		6 LB1797020000		MANUAL		RA????	1
		7 LB1791020000		WARRANTY CARD		??	1
		8 LB1790020001		SERVICE ADRESS		??	1
		9 LB1790020000		???		??	1
?		10 PR1790600000		MODEL STIKER		??	1
		11 LB1790020002		COLORFUL PAPER		???	1
		13 PR1810200000		BAR CODE (LARGE)		??	2
*		14 PR1810200001		BAR CODE (SMALL)		??	6
		15 PR1790000001		QC LABEL		??	1
		16 PR1790000000		GND STIKER			1
		17 PR0001100000		CERTIFICATE OF ORINGNAL		MADE IN CHINA	1
		18 AS0200000000		DESICCANT			2
		19 XB1810705000		POLY FOAM		RA500	2
		20 XB1810300000		GIFT BOX		RA500	1
?		21 XB1810420000		CARTON		RA500	1