

DRAWING NUMBER ISSUE

S-B626AS-07



HARMAN INTERNATIONAL
INDUSTRIES LIMITED
CRANBORNE HOUSE
CRANBORNE ROAD
POTTERS BAR
HERTS
EN6 3JN
Tel 01707 660667
Fax 01707 660755

BSS Audio.

TITLE: DAC MODULE

SHEET 2

FILENAME: S-B626AS-07.SCH

DRAWN: AW

DATE: 23/05/97

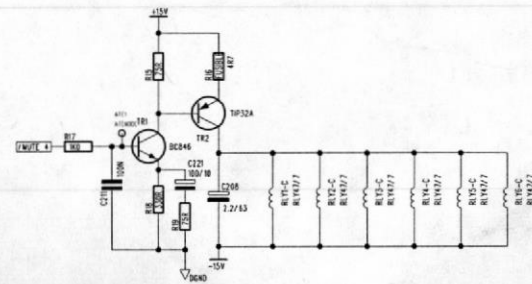
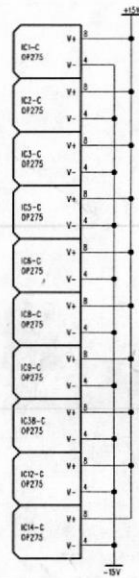
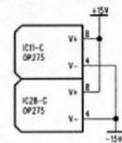
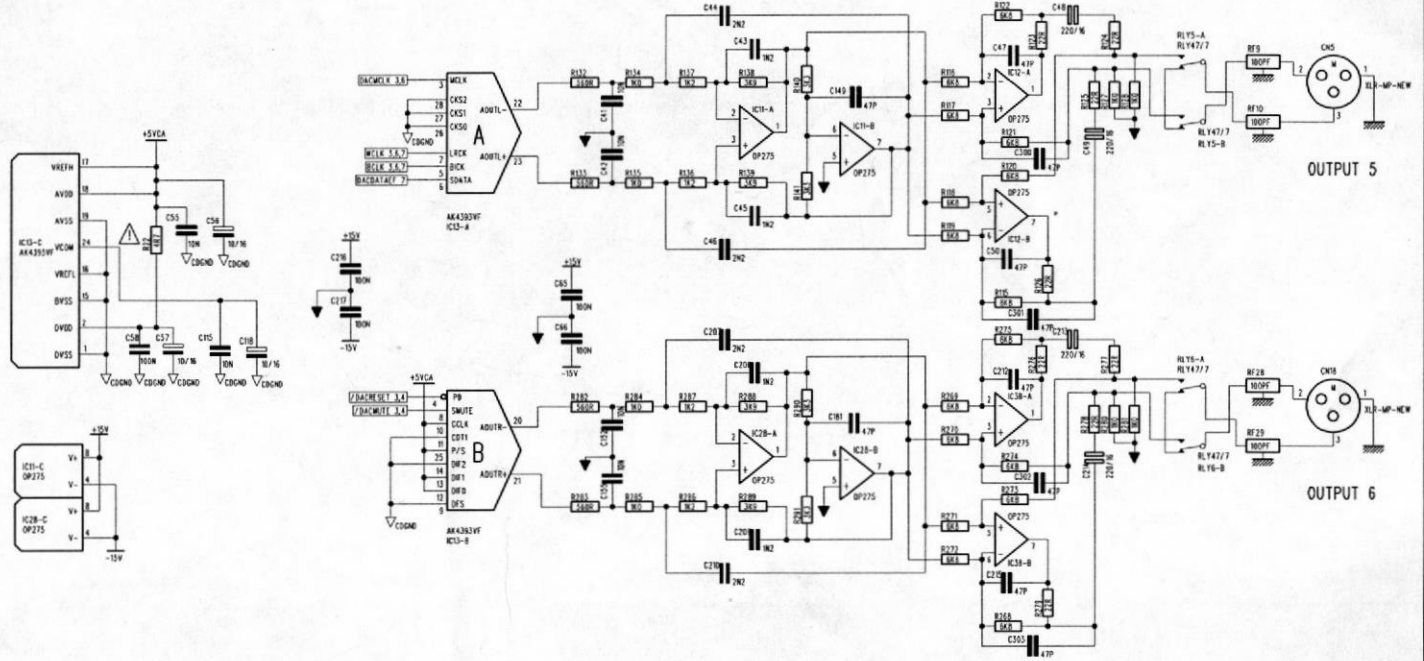
CHECKED:

MATERIAL:

FINISH:

ISSUE COMMENTS:

THIS DRAWING IS THE COPYRIGHT OF BSS Audio Ltd. ALL REPRODUCTION AND COPYING, OTHER THAN THAT FOR LICENCED MANUFACTURERS OWN INTERNAL USE, OR DISCLOSURE OF PART OR WHOLE TO A THIRD PARTY WITHOUT PRIOR WRITTEN AUTHORIZATION IS IN VIOLATION OF THE COPYRIGHT.
© BSS Audio Ltd 1994



ANY COMPONENT BEARING THIS MARK IS SAFETY CRITICAL PLEASE REFER TO SERVICE MANUAL

