

DRAWING NUMBER ISSUE
S-B626AS-07

BSS HARMAN INTERNATIONAL
 INDUSTRIES LIMITED
 CRANBORNE HOUSE
 CRANBORNE ROAD
 POTTERS BAR
 HERTS
 EN6 3JN
 BSS Audio. Tel 01707 660867
 Fax 01707 650755

TITLE: **DAC MODULE**

SHEET 2

FILENAME: **S-B626AS-07.SCH**

DRAWN: **AW**

DATE: **23/05/97**

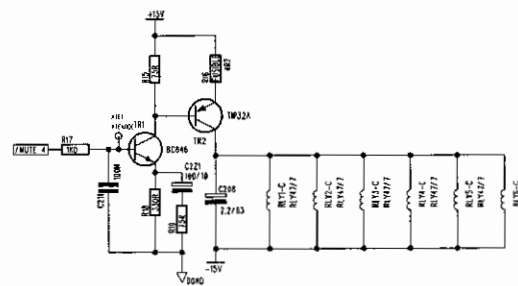
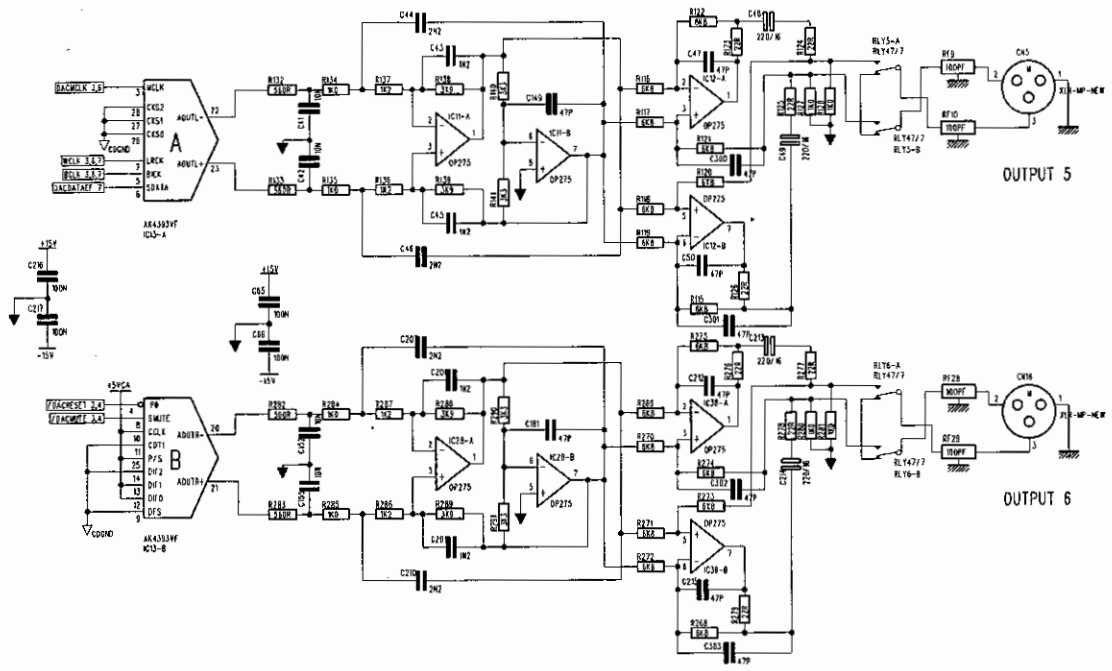
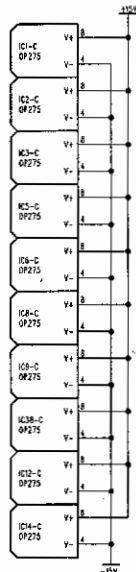
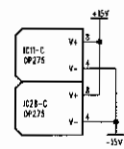
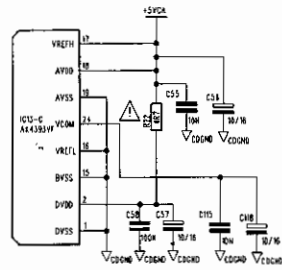
CHECKED:

MATERIAL:

FINISH:

ISSUE COMMENTS:

THIS DRAWING IS THE COPYRIGHT OF BSS Audio Ltd. ALL REPRODUCTION AND COPYING, OTHER THAN THAT FOR LICENSED MANUFACTURERS OWN INTERNAL USE, OR DISCLOSURE OF PART OR WHOLE TO A THIRD PARTY WITHOUT PRIOR WRITTEN AUTHORISATION IS IN VIOLATION OF THE COPYRIGHT.
 © BSS Audio Ltd 1994



ANY COMPONENT BEARING THIS MARK IS SAFETY CRITICAL. PLEASE REFER TO SERVICE MANUAL.